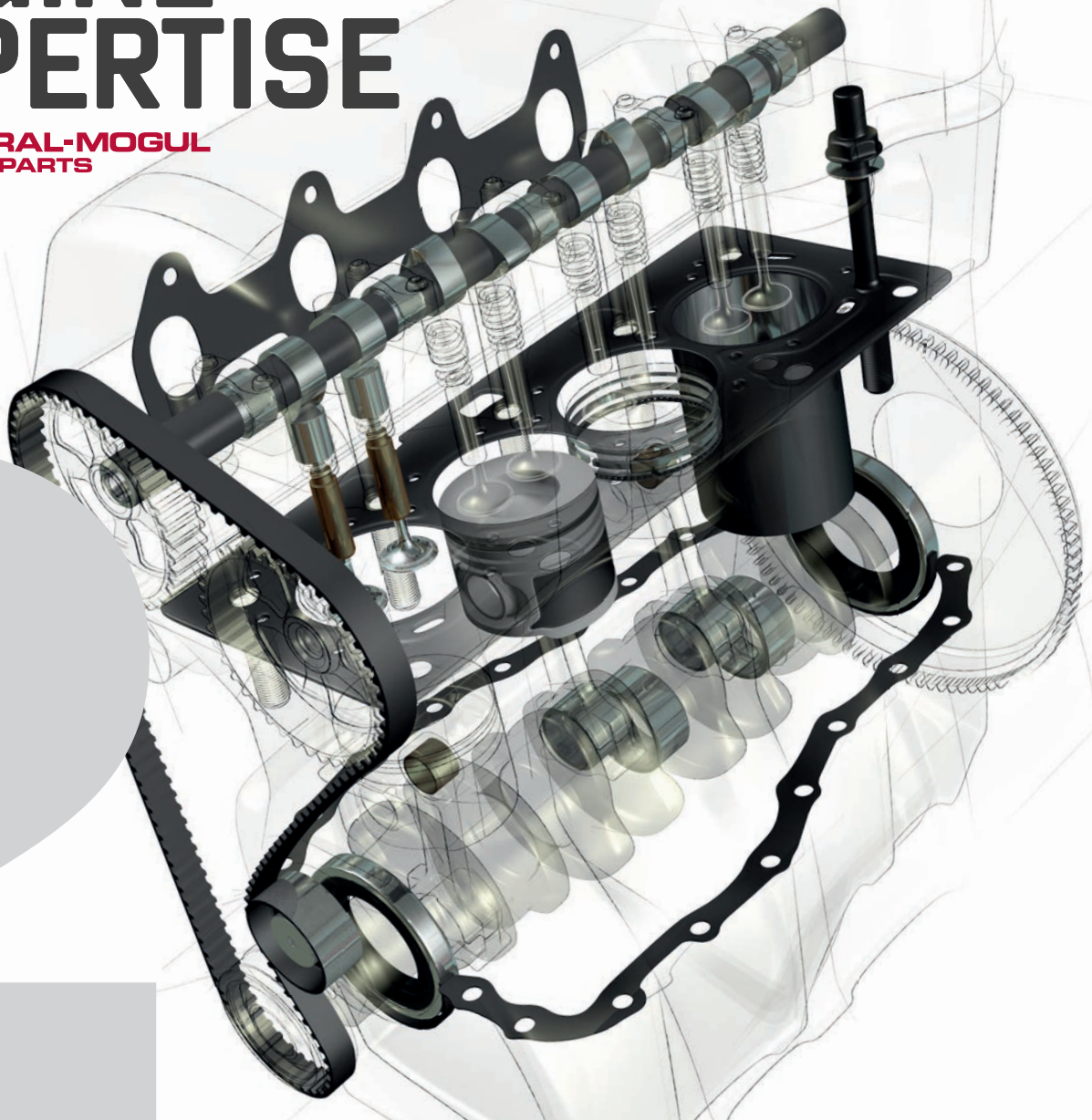


ENGINE EXPERTISE

BY  **FEDERAL-MOGUL
MOTORPARTS**



PSA Renault

CATMX1402



2015-2016





Use our know-how to hone your skills

With each diagnosis, each revision, your engine expertise becomes richer. Your skills get broader and deeper. And it's just the same at Federal-Mogul. That's why people rely on you. For example, your eye for detail and your feel for precise cylinder liner honing guarantee optimum engine performance. Your expertise helps us understand which parts you need, and how we can give you even more support to make it easier for you to achieve perfection with each engine job.

Because our engine expertise... is based on yours.



ENGINE EXPERTISE
BY  **FEDERAL-MOGUL**
MOTORPARTS



INTRODUCTION

Dear Federal-Mogul Motorparts partner,

Welcome to the second volume of the *Federal-Mogul Motorparts Engine Expertise catalogue*. All engine and sealing parts for Peugeot, Citroën, Renault and Dacia engines are covered in this catalogue, which is compiled to meet the requirements and increase the efficiency of engine rebuilders and service technicians working on these vehicles.

Federal-Mogul is an innovative and diversified global supplier of quality products, trusted brands and creative solutions for the OE market. We prioritise value creation through technology and innovation in products, processes and services, which makes us the preferred supplier to the global OE market.

The complete service for French engine rebuild specialists

Federal-Mogul Motorparts's new catalogue provides specialists rebuilding French engines with the latest, trusted OE specification technologies from a one-stop-shop. Our customers get to feel the benefit of Federal-Mogul's extensive experience in developing innovative products and also its range of expert brands that include: AE[®] for valvetrain, camtrain and belts; Payen[®] gaskets, sets, seals and headbolts; Nüral[®] pistons and assemblies; Goetze[®] piston rings and liners; and Glyco[®] engine bearings. All manufactured to exacting OE specification.

Future successes and reduced emissions

Federal-Mogul focuses on the quality and innovation that helps our global vehicle manufacturer customers continue to increase durability and drive down harmful CO₂ emissions. This proven expertise recognized through our brands is highly regarded by engine rebuild specialists worldwide.

Federal-Mogul's established business partnerships provide a reliable support network committed to servicing the needs of the automotive market, which helps optimise businesses' working practices and results in customer satisfaction.

We hope you enjoy the benefits of this catalogue!

Mark Whitehead,
Global Product Director Engine



Alexis Goslin,
Business Director Sealing, Engine & Ignition EMEA



CONTENT

EN

Content	II
How to use this catalogue	IV - VII
Terms of business	XXXVI
Engine index	XXXVIII - XLII
Top engine applications	1 - 445
Bottom engine applications	447 - 1049
Numerical parts list	1050 - 1117
OE interchange	1118 - 1127
Valve guides	1128 - 1129
Oil seals	1130 - 1131
Cylinder headbolts	1132 - 1133
Technical notes	1134 - 1141

IT

Contenuto	II
Come si utilizza il catalogo	XII - XV
Condizioni generali	XXXVI
Indice motore	XXXVIII - XLII
Applicazioni parte alta del motore	1 - 445
Applicazioni bassa inferiore del motore	447 - 1049
Elenco riferimenti	1050 - 1117
Intercambio OE	1118 - 1127
Guidavalvole	1128 - 1129
Paraoli	1130 - 1131
Viti testa cilindro	1132 - 1133
Note tecniche	1134 - 1141

DE

Inhaltsverzeichnis	II
So benutzen Sie diesen Katalog	VIII - XI
Geschäftsbedingungen	XXXVI
Motorindex	XXXVIII - XLII
Zylinderkopfanwendungen	1 - 445
Motorblockanwendungen	447 - 1049
Numerische Teileliste	1050 - 1117
OE-Entsprechungen	1118 - 1127
Ventilführungen	1128 - 1129
Wellendichtringe	1130 - 1131
Zylinderkopfschrauben	1132 - 1133
Technische Hinweise	1134 - 1141

FR

Contenu	II
Comment se servir de ce catalogue	XVI - XIX
Conditions générales de vente	XXXVI
Index moteur	XXXVIII - XLII
Applications haut moteur	1 - 445
Applications bas moteur	447 - 1049
Liste numérique des références	1050 - 1117
Liste d'équivalence Première Monte (OE)	1118 - 1127
Guides de soupape	1128 - 1129
Bagues d'étanchéité	1130 - 1131
Vis de culasse	1132 - 1133
Notes techniques	1134 - 1141

CONTENT

ES

Índice	III
Cómo utilizar este catálogo	XX - XXIII
Condiciones de venta	XXXVII
Índice de motores	XXXVIII - XLII
Aplicaciones para la parte superior del motor	1 - 445
Aplicaciones para la parte inferior del motor	447 - 1049
Lista de referencias	1050 - 1117
Cruce de referencias de equipo original	1118 - 1127
Guías de válvula	1128 - 1129
Retenes de aceite	1130 - 1131
Tornillos de culata	1132 - 1133
Notas técnicas	1134 - 1141

PL

Spis treści	III
Jak używać tego katalogu	XXIV - XXVII
Warunki współpracy	XXXVII
Indeks silników	XXXVIII - XLII
Góra silnika	1 - 445
Dół silnika	447 - 1049
Lista części	1050 - 1117
Zamienniki OE	1118 - 1127
Prowadnice zaworów	1128 - 1129
Uszczelnienia olejowe	1130 - 1131
Śruby do głowicy cylindrów	1132 - 1133
Notatki techniczne	1134 - 1141

RU

Содержание	III
Как пользоваться каталогом	XXVIII - XXXI
Условия делового сотрудничества	XXXVII
Указатель двигателей	XXXVIII - XLII
Детали верхней части двигателя	1 - 445
Детали нижней части двигателя	447 - 1049
Список номеров деталей	1050 - 1117
Взаимозаменяемость с оригинальными деталями	1118 - 1127
Направляющие клапанов	1128 - 1129
Сальники	1130 - 1131
Болты ГБЦ	1132 - 1133
Технические примечания	1134 - 1141

AR

III	المحتوى
XXXV - XXXII	كيفية استخدام هذا الكatalog
XXXVII	شروط العمل
XLII - XXXVIII	مؤشر المحرك
445 - 1	تطبيقات المحرك العلوية
1049 - 447	تطبيقات المحرك السفلية
1117 - 1050	قائمة القطع المرقمة
1127 - 1118	أبدال المعدة الأصلية
1129 - 1128	موجهات الصمامات
1131 - 1130	لعمود الكام
1133 - 1132	مسامير رأس الأسطوانة
1141 - 1134	المنذرة التقنية

HOW TO USE THIS CATALOGUE

EN



CITROEN/PEUGEOT					
67 ¹	75.00 ²	Petrol			
TU3A (KfV) ³	4 Cyl.	9.3:1	1360cc	54kW (73)PS	5 TD21111 6 36
TU3A (KfV)	4 Cyl.	9.3:1	1360cc	54kW (73)PS	TD23774 836
206 ⁴	07/02 →	206+	01/09 →	207	02/06 →
207 SW	06/07 →	BIPPER	02/08 →	BIPPER Tepee	04/08 →
C3	02/02 →	NEMO	02/08 →	PARTNER	11/02 → 10/06
⁷	⁸	⁹	¹⁰	¹¹	¹²
TB711 104x17	TBK312 Component No:TB711;AE1168TP	CAM731 [72]		FOL160 (x8)	
[72] Euro 3 (D3)	[72] Euro 3 (D3)	[72] Euro 3 (D3)	[72] Euro 3 (D3)		
¹³	B x C x D	OE	MAT.	²⁰	²²
V91271 ¹⁴	0948.58	¹⁹	30°	H	²³
37.00 x 7.00 x 112.50 ¹⁵	16	MB	45°	21	²⁴
V91273 ¹⁴	0949.59	¹⁹		22	²⁵
29.50 x 7.00 x 112.50		MD or 17-18			²⁶
					²⁵
					²⁵
















- ¹ Panel no.
- ² Bore size
- ³ Engine detail
- ⁴ Model detail
- ⁵ TecDoc / F-M engine no.
- ⁶ Corresponding bottom engine panel number
- ⁷ Timing belt references
No. of teeth x belt width
- ⁸ Timing belt kit references
- ⁹ Camshaft references
- ¹⁰ Camkit references
- ¹¹ Rocker arm references
(required engine quantity in brackets)
- ¹² Tappet & Thrust pad references
(required engine quantity in brackets)
- ¹³ Valve references
- ¹⁴ Fitting position
- ¹⁵ Valve dimensions
- ¹⁶ Valve OE reference
- ¹⁷ Material code
- ¹⁸ Valve stem coating
- ¹⁹ Cotter design
- ²⁰ Seat angle
- ²¹ Seat treatment
- ²² Tip treatment
- ²³ Valve guide references
- ²⁴ Valve guide shape
- ²⁵ Valve guide dimensions
- ²⁶ See footnote section

MATERIAL CODE	TYPE	HEAD	STEM	SUITABLE FOR
MB	Mono-Metal	Martensitic chrome-silicon alloy steel	n/a	Petrol & diesel inlet valves and for stems in bimetallic exhaust valves
MD	Mono-Metal	Austenitic chrome-manganese-nickel steel	n/a	Exhaust valves operating up to 750°C
ME	Bi-Metal	Austenitic chrome-manganese-nickel steel with added niobium, tungsten and nitrogen	MB	Heavy duty exhaust valves, operating up to 780°C
MF	Bi-Metal	Nimonic™, nickel based super alloy with added chromium, cobalt and titanium	MB	Exhaust valves; good mechanical strength, resistance to fatigue, erosion & corrosion. Operating up to 820°C
MG	Bi-Metal	MD	MB	Exhaust valves operating up to 750°C

FEATURE CODE	DESCRIPTION
cr	Chrome layer on valve stem
tu	Tufrided /Nitrided valve
ss	Stellite welded seat
Y	Hardened valve seat
st	Stellite welded tip
H	Hardened valve tip

HOW TO USE THIS CATALOGUE

CITROEN/PEUGEOT

1 159	 83.00	2 Petrol						
XU5J (180Z) 3	4 Cyl.	9.8:1	1580cc	76kW (103)PS			5 TD2862 6 916	
XU5J (180Z)	4 Cyl.	9.8:1	1580cc	76kW (103)PS			TD597 918	
4 205	04/86 → 10/90	309	11/85 → 09/88	BX	03/86 → 12/94			
 7	 8	 9	 10	 11	 12	 13	 14	
BL650 Fibre Composite, 1.200mm BR510 Fibre Composite, 1.440mm	DL650 DN590 ▲ [54]	GL650 [54]	HBS083  M11x1.50x168.00mm (x10)	JC750  JC415  (x4) LT634	JN547	HR569 	NF817 36.00x50.00x7.00mm FPM	
	BL650	[54] With gaskets/seals	[54] Avec joints	[54] Con guarnizioni	[54] Con juntas			
15								

1 Panel no.

2 Bore size

3 Engine detail


4 Model detail


5 TecDoc / F-M engine no.

6 Corresponding bottom engine panel number

7 CYLINDER HEAD GASKET

 = Left

 = Right

 = Piston protrusion

0.50mm = Thickness

1 hole = Identification mark

8 HEAD SET

▲ = Without cylinder head gasket

■ = Without seals

☒ = Without valve cover gasket

● = Without valve stem seals

9 FULL SET


▲ = Without cylinder head gasket

■ = Without seals

☒ = Without valve cover gasket

● = Without valve stem seals


10 HEADBOLT SET

 Headbolt shape




 Male hex



 Female hex




 Male star




 Female star




 Male torx




 Female torx




 Hexagon Collar





 Female Splined (Ribe-CV)*


*Ribe-CV® is a registered trademark of Richard Bergner GmbH & Co.


11 MANIFOLD GASKET


Left = 


Right = 

Set = 


Inlet = 


Exhaust = 


Upper = 


Lower = 


12 VALVE COVER GASKET

Left = 


Right = 


Inlet = 


Exhaust = 

Set = 


13 VALVE STEM SEAL


Set = 

Inlet = 

Exhaust = 

14 CAMSHAFT OIL SEALS

Front = 

Rear = 

15 See footnote section

HOW TO USE THIS CATALOGUE

EN



CITROEN/PEUGEOT			
1 848	2 75.00	Petrol	
TU3M/Z (KDX) 3	4 Cyl.	9.3:1	1360cc 55kW (75PS) 5 TD5080 6 79
AX 4	04/87→04/97	ZX	03/91→10/97
7 87-154400-00 STD A 40.50 B- 1.10 BØ 62.00 D 64.50 20x62	8 08-154400-00 STD 08-154407-00 0.50mm 1.75 CR P 2.00 P 3.00 P	9 10 14-636600-00 WH B 79.50 C 134.50 D 89.20 E 90.00 	12 88-154400-00 87-154400-00 + 14-636600-00

- 1** Panel no.
- 2** Bore size
- 3** Engine detail
- 4** Model detail
- 5** TecDoc / F-M engine no.
- 6** Corresponding top engine panel number
- 7** Piston reference
 - A = Compression height
 - B = Bowl depth / Crown height
 - BØ = Bowl diameter
 - C = Valve pocket depth
 - D = Length
 - RT = Alfin insert
 - KK = Oil cooling gallery
 - AK = Oil jet cut-out
 - HA = hard anodised coating on crown
 - NB = Bronze pin bush
 - TP = Trapezoidal Conrod
- 8** Ring set reference
 - Ring width
 - Ring design
 - Ring surface treatment
- 9** Liner reference
 - B = Outer diameter
 - C = Overall length
 - D = Flange diameter
 - E = Flange width
 - F = Firelip height
- 10** Liner type
 - D = Dry
 - WH = Wet Honed
 - DH = Dry Honed
- 11** Piston image and casting number (if applicable)
- 12** Kitset assembly reference

HOW TO USE THIS CATALOGUE



EN

994		85.00	Diesel			
DW12BTED4 (4HT) Euro 4	4 Cyl.	16.6:1	2179cc	125kW (170)PS	TD20028	245
DW12BTED4 (4HT) Euro 4	4 Cyl.	16.6:1	2179cc	125kW (170)PS	TD20812	245
407	05/06 →		607	05/06 →	807	06/06 →
C5	04/06 →		C6	06/06 →	C8	06/06 →
BE/PL	4	49.984/50.000	53.695/53.708	20.000	1.838	0.020/0.070
						SP
						71-3952
						71-3952/4
						[1] 23

- 13** Bearing type and position
BE/PL = Connecting rod (big end) bearing
MB/HL = Main bearing
TW/A = Thrust washer
SE/PB = Piston pin (small end) bushing
CB/NWB = Camshaft bushing
BU = Other bushings
- 14** Set composition
- 15** Minimum and maximum standard journal diameter
- 16** Minimum and maximum housing bore diameter
- 17** Maximum bearing width
- 18** Maximum standard wall thickness
- 19** Oil clearance
- 20** Bearing material codes
AL = Steel back aluminium.....Bi-/Trimetallic
B = Brass
- 21** Component reference
- 22** Glyco set reference and available undersizes
H = Main bearing
N = Camshaft bushing
A = Thrust washer
.../4 = Number of pairs (bearings) or pieces (washers / bushings) per set
...H = Thrust (flange) bearing
- 23** See footnote section
- BB = Steel back babbit.....Bimetallic
BC = Steel back cast bronze - no overlay.....Bimetallic
BS = Steel back sintered bronze - no overlay.....Bi-/Trimetallic
EC = Steel back bronze - electrocoated.....Trimetallic
SP = Steel back bronze - Sputter.....Trimetallic
IX = Steel back aluminium - Polymer
-LF= Lead-free



795		72.00	Petrol		
EH951 [21][23] EH952 [22]	JJ586 ⇒PB852 16.00x24.00x1.500mm ⇒PA349 22.00x16.00x2.000mm JJ586	NF870 42.00x66.00x6.00mm, FPM/ACM NF857 85.00x105.00x9.00mm, FPM/ACM NF850 85.00x105.00x8.00mm, FPM			
28					
[21] Supplementary Article/Supplementary Info 2: With cylinder sleeve ring	[21] Article complémentaire / Info complémentaire 2: avec deux bagues de chemises de cylindre	[21] Artículo complementario/ Información complementaria 2: con segmentos para camisa	[21] Articolo complementare/Info integrativa 2: Con anello tenuta canna cilindro		
[22] Supplementary Article/Supplementary Info:	[22] Article complémentaire /	[22] Artículo complementario/Información	[22] Articolo complementare/Info		

- 24** **CONVERSION SET**
▲ = Without cylinder head gasket
■ = Without seals
☒ = Without valve cover gasket
● = Without valve stem seals
- 25** **SUMP GASKET**
Set = **S**
- 26** **OIL DRAIN PLUG**
- 27** **CRANKSHAFT SEAL**
Front = **F**
Rear = **R**
- 28** [] = Technical note

SO BENUTZEN SIE DIESEN KATALOG

DE



CITROEN/PEUGEOT					
67 ¹	75.00 ²	Petrol		5	6 36
TU3A (KfV) ³	4 Cyl.	9.3:1	1360cc	54kW (73)PS	TD21111
TU3A (KfV)	4 Cyl.	9.3:1	1360cc	54kW (73)PS	TD23774 836
206 ⁴	07/02 →	206+	01/09 →	207	02/06 →
207 SW	06/07 →	BIPPER	02/08 →	BIPPER Tepee	04/08 →
C3	02/02 →	NEMO	02/08 →	PARTNER	11/02 → 10/06
7	8	9	10	11	12
TB711 104x17 [72] Euro 3 (D3)	TBK312 Component No:TB711;AE1168TP [72] Euro 3 (D3)	CAM731 [72] [72] Euro 3 (D3)	FOL160 (x8) [72] Euro 3 (D3)		
13 B x C x D	OE	MAT.	18	23 E x F x G	
V91271 14 37.00 x 7.00 x 112.50 15	0948.58 16	19	30° 20	VAG92401 14 47.50 x 7.01 x 13.06 25	24
V91273 14 29.50 x 7.00 x 112.50	0949.59	17 18	45° 21	VAG96132 14 47.60 x 7.03 x 13.11	24

- 1** Infotafel
- 2** Bohrung
- 3** Motordetails
- 4** Modellangaben
- 5** TecDoc-Nr. / F-M Motornummer
- 6** Entsprechende Infotafel für Motorblock
- 7** Steuerriemen, Teilenummern
Anzahl der Zähne x Riemenbreite
- 8** Steuerriemensätze, Teilenummern
- 9** Nockenwellen, Teilenummern
- 10** Nockenwellensätze, Teilenummern
- 11** Kipphebel, Teilenummern
(erforderliche Anzahl pro Motor in Klammern)
- 12** Stößel und Druckstücke, Teilenummern
(erforderliche Anzahl pro Motor in Klammern)
- 13** Ventile, Teilenummern
- 14** Einbauseite
- 15** Ventilabmessungen
- 16** Ventil-OE-Bezeichnung
- 17** Materialcode
- 18** Ventilschaftbeschichtung
- 19** Kegelstückkonstruktion
- 20** Sitzwinkel
- 21** Sitzbehandlung
- 22** Ventilenendenbehandlung
- 23** Ventilführungsbezeichnungen
- 24** Ventilführungsform
- 25** Ventilführungsabmessungen
- 26** Siehe Abschnitt »Fußnote«

MATERIALCODE	BAUART	KOPF	SCHAFT	PASSEND FÜR
MB	Monometall	Martensitischer Chrom-Silizium-Legierungsstahl	k. A.	Einlassventile (für Otto- und Dieselmotoren) und für Schäfte in bimetalischen Auslassventile
MD	Monometall	Austenitischer Chrom-Mangan-Nickel-Stahl	k. A.	Auslassventile, Einsatz bis max. 750 °C
ME	Bimetall	Austenitischer Chrom-Mangan-Nickel-Stahl mit Zusatz von Niobium, Wolfram und Stickstoff	MB	Hochleistungs-Auslassventile, Einsatz bis max. 780 °C
MF	Bimetall	Nimonic™, nickelbasierte Superlegierung mit Zusatz von Chrom, Cobalt und Titan	MB	Auslassventile; gute mechanische Festigkeit, Ermüdungsfestigkeit, Erosions- und Korrosionsbeständigkeit Einsatz bis max. 820 °C
MG	Bimetall	MD	MB	Auslassventile, Einsatz bis max. 750 °C

KURZZEICHEN AUSSTATTUNG	BESCHREIBUNG
cr	Chrombeschichteter Ventilschaft
tu	Tufride-behandelter/nitrierter Schaft
ss	Geschweißter Stelltilventilsitz
Y	Gehärteter Ventilsitz
st	Geschweißte Stelltilspitze
H	Gehärtete Ventilspitze

SO BENUTZEN SIE DIESEN KATALOG



DE

CITROEN/PEUGEOT

1 159	2 83.00	Petrol					
XU5J (180Z) 3	4 Cyl.	9.8:1	1580cc	76kW (103)PS	5 TD2862	6 916	
XU5J (180Z)	4 Cyl.	9.8:1	1580cc	76kW (103)PS	TD597	918	
4 205	04/86 → 10/90	309	11/85 → 09/88	BX	03/86 → 12/94		
7	8	9	10	11	12	13	14
BL650 Fibre Composite, 1.200mm BR510 Fibre Composite, 1.440mm	DL650 DN590 ▲ [54]	GL650 [54]	HBS083 M11x1.50x168.00mm (x10)	JC750 JC415 (x4) LT634	JN547	HR569	NF817 36.00x50.00x7.00mm FPM
15							
BL650 [54] With gaskets/seals	[54] Avec joints	[54] Con guarnizioni	[54] Con juntas				

- 1** Infotafel
- 2** Bohrung
- 3** Motordetails
- 4** Modellangaben
- 5** TecDoc-Nr. / F-M Motornummer
- 6** Entsprechende Infotafel für Motorblock
- 7 ZYLINDERKOPFDICHTUNG**
 - = Links
 - = Rechts
 - = Kolbenüberstand
 - 0,50 mm = Dicke
 - 1 Öffnung = Kennzeichnung
- 8 ZYLINDERKOPFDICHTUNGSSATZ**
 - ▲ = Ohne Zylinderkopfdichtung
 - = Ohne Dichtringe
 - ☒ = Ohne Ventildeckeldichtung
 - = Ohne Ventilschaftdichtringe
- 9 VOLLSTÄNDIGER SATZ**
 - ▲ = Ohne Zylinderkopfdichtung
 - = Ohne Dichtringe
 - ☒ = Ohne Ventildeckeldichtung
 - = Ohne Ventilschaftdichtringe

- 10 ZYLINDERKOPFSCHRAUBENSATZ**
 - Zylinderkopfschrauben-Form
 - Außensechskant
 - Innensechskant
 - Außenvielzahn
 - Innenvielzahn
 - Außentorx
 - Innentorx
 - Sechskantbund
 - Außensechskant-Keilzahn (Ribe-CV®)*
- *Ribe-CV® ist ein eingetragenes Warenzeichen der Richard Bergner GmbH & Co.

- 11 AUSPUFFKRÜMMERDICHTUNG**
 - Links =
 - Rechts =
 - Satz =
 - Einlass =
 - Auslass =
 - Oben =
 - Unten =
- 12 VENTILDECKELDICHTUNG**
 - Links =
 - Rechts =
 - Einlass =
 - Auslass =
 - Satz =
- 13 VENTILSCHAFTDICHTUNG**
 - Satz =
 - Einlass =
 - Auslass =
- 14 NOCKENWELLEN-ÖLDICHTUNGEN**
 - Vorn =
 - Hinten =
- 15** Siehe Abschnitt »Fußnote«

SO BENUTZEN SIE DIESEN KATALOG

DE



CITROEN/PEUGEOT

1 848	2 75.00	Petrol	
3 TU3M/Z (KDX)	4 Cyl.	9.3:1	1360cc
5 TD5080	6 79		
4 AX	04/87→04/97	ZX	03/91→10/97
87-154400-00 7 A 40.50 B- 1.10 BØ 62.00 D 64.50 20x62	STD 	8 08-154400-00 STD 08-154407-00 0.50mm 1.75 CR P 2.00 P 3.00 P	9 10 14-636600-00 WH B 79.50 C 134.50 D 89.20 E 90.00
			88-154400-00 87-154400-00 + 14-636600-00 12

- 1** Infotafel
- 2** Bohrung
- 3** Motordetails
- 4** Modellangaben
- 5** TecDoc-Nr. / F-M Motornummer
- 6** Entsprechende Infotafel für Zylinderkopf
- 7** Kolben, Teilenummern
 - A = Kompressionshöhe
 - B = Muldentiefe/Bodenhöhe
 - BØ = Muldendurchmesser
 - C = Ventiltaschentiefe
 - D = Länge
 - RT = Alfin-Einsatz
 - KK = Ölkühlkanal
 - AK = Öldüsenausparung
 - HA = Hartanodisierter Kolbenboden
 - NB = Bolzenbuchse aus Bronze
 - TP = Trapezpleuel
- 8** Kolbenringsätze, Teilenummern
 - Ringhöhe
 - Ringbauart
 - Ring-Oberflächenbehandlung
- 9** Laufbuchsen, Teilenummern
 - B = Außendurchmesser
 - C = Gesamtlänge
 - D = Bunddurchmesser
 - E = Bundbreite
 - F = Feuersteghöhe
- 10** Laufbuchsentyp
 - D = trocken
 - WH = nass, gehont
 - DH = trocken, gehont
- 11** Kolbenabbildung und Kokille (falls zutreffend)
- 12** Artikelnummer Einbausatz

SO BENUTZEN SIE DIESEN KATALOG



DE

994		85.00	Diesel								
DW12BTED4 (4HT) Euro 4	4 Cyl.	16.6:1	2179cc	125kW (170)PS	TD20028	245					
DW12BTED4 (4HT) Euro 4	4 Cyl.	16.6:1	2179cc	125kW (170)PS	TD20812	245					
407	05/06 →		607	05/06 →	807	06/06 →					
C5	04/06 →		C6	06/06 →	C8	06/06 →					
BE/PL	4	49.984/50.000	53.695/53.708	20.000	1.838	0.020/0.070	SP	71-3952	71-3952/4		[1]

13 Gleitlager, Art und Position

BE/PL = Pleuel(fuß)lager

MB/HL = Hauptlager

TW/A = Druckscheibe

SE/PB = Pleuel(kopf)buchse

CB/NWB = Nockenwellenbuchse

BU = Andere Buchsen

14 Satzbestandteile

15 Min. und max. Standard-Zapfendurchmesser

16 Min. und max. Gehäusebohrungsdurchmesser

17 Max. Gleitlagerbreite

18 Max. Standardwandstärke

19 Ölspalt

20 Gleitlagermaterial-Abkürzungen

AL = Stahlrücken Aluminium.....Bi-/Trimetall

B = Messing

BB = Stahlrücken Babbitt.....Bimetall

BC = Stahlrücken Gussbronze - ohne Auflage.....Bimetall

BS = Stahlrücken Sinterbronze - ohne Auflage.....Bi-/Trimetall

EC = Stahlrücken Bronze - galvanisiert.....Trimetall

SP = Stahlrücken Bronze - Sputter.....Trimetall

IX = Stahlrücken Aluminium - Polymer

-LF= Bleifrei

21 Bauteile, Teilenummern

22 Glyco-Satz-Teilenummern und erhältliche Untergrößen

H = Hauptlager

N = Nockenwellenbuchse

A = Druckscheibe

.../4 = Anzahl Paare (Gleitlager) oder Stück (Scheiben/

Buchsen) pro Satz

...H = Axial(flansch)lager

23 Siehe Abschnitt »Fußnote«



795		72.00	Petrol		
EH951 [21][23] EH952 [22]		JJ586 ⇒PB852 16.00x24.00x1.500mm ⇒PA349 22.00x16.00x2.000mm JJ586		NF870 ■ 42.00x66.00x6.00mm, FPM/ACM NF857 ■ 85.00x105.00x9.00mm, FPM/ACM NF850 ■ 85.00x105.00x8.00mm, FPM	
28					
[21] Supplementary Article/Supplementary Info 2: With cylinder sleeve ring [22] Supplementary Article/Supplementary Info:		[21] Article complémentaire / Info complémentaire 2: avec deux bagues de chemises de cylindre [22] Article complémentaire /		[21] Artículo complementario / Información complementaria 2: con segmentos para camisa [22] Artículo complementario / Información	
[21] Articolo complementare/Info integrativa 2: Con anello tenuta canna cilindro [22] Articolo complementare/Info					

24 **KURBELGEHÄUSESATZ**
 ▲ = Ohne Zylinderkopfdichtung
 ■ = Ohne Dichtringe
 ☒ = Ohne Ventildeckeldichtung
 ○ = Ohne Ventilschaftdichtringe

25 **ÖLWANNENDICHTUNG**
 Satz = ■
26 **ÖLABLASSSCHRAUBE**

27 **KURBELWELLEN-DICHRING**
 Vorn = ■
 Hinten = ■

28 [] = Technischer Hinweis

COME SI UTILIZZA IL CATALOGO

IT



CITROEN/PEUGEOT

67 ¹	75.00 ²	Petrol		
TU3A (KfV) ³	4 Cyl.	9.3:1	1360cc	54kW (73)PS ⁵ TD21111 ⁶ 36
TU3A (KfV)	4 Cyl.	9.3:1	1360cc	54kW (73)PS TD23774 836
206 ⁴	07/02 →	206+	01/09 →	207 02/06 →
207 SW	06/07 →	BIPPER	02/08 →	BIPPER Tepee 04/08 →
C3	02/02 →	NEMO	02/08 →	PARTNER 11/02 → 10/06

⁷	⁸	⁹	¹⁰	¹¹	¹²
TB711 104x17 [72] Euro 3 (D3)	TBK312 Component No:TB711;AE1168TP [72] Euro 3 (D3)	CAM731 [72] [72] Euro 3 (D3)	KIT ¹⁰ [72] Euro 3 (D3)	FOL160 (x8)	

¹³ B x C x D	OE	¹⁴	¹⁵	¹⁶	¹⁷	¹⁸	¹⁹	²⁰	²¹	²²	²³ E x F x G	²⁴	²⁵	²⁶
V91271 ¹⁴	0948.58	¹⁹	30°	²⁰	²¹	²²	VAG92401 ¹⁴	²⁵	²⁴	²⁶	VAG96132 ¹⁴	²⁵	²⁴	²⁶
37.00 x 7.00 x 112.50 ¹⁵	¹⁶	¹⁹	45°	²⁰	²¹	²²	47.50 x 7.01 x 13.06 ²⁵	²⁴	²⁶	²⁶	47.60 x 7.03 x 13.11	²⁵	²⁴	²⁶
V91273 ¹⁴	0949.59	¹⁹		²⁰	²¹	²²		²⁴	²⁶	²⁶		²⁵	²⁴	²⁶
29.50 x 7.00 x 112.50		¹⁹		²⁰	²¹	²²		²⁴	²⁶	²⁶		²⁵	²⁴	²⁶

















- ¹ N. Pannello
- ² Alesaggio
- ³ Dati motore
- ⁴ Dati modello
- ⁵ TecDoc / F-M N. motore
- ⁶ Numero pannello corrispondente alla parte bassa motore
- ⁷ Riferimenti cinghia di distribuzione N.di denti x larghezza cinghia
- ⁸ Riferimenti kit cinghia di distribuzione
- ⁹ Riferimenti albero a camme
- ¹⁰ Riferimenti kit albero a camme
- ¹¹ Riferimenti bilanciere (tra parentesi quantità richiesta per motore)
- ¹² Riferimenti punterie e piattelli (tra parentesi quantità richiesta per motore)
- ¹³ Riferimenti valvola
- ¹⁴ Posizione di montaggio
- ¹⁵ Dimensioni valvola
- ¹⁶ Riferimento OE valvola
- ¹⁷ Codice materiale
- ¹⁸ Rivestimento stelo valvola
- ¹⁹ Design coppiglia
- ²⁰ Angolo sede
- ²¹ Trattamento sede
- ²² Trattamento puntale
- ²³ Riferimenti guidaavvola
- ²⁴ Forma guidaavvola
- ²⁵ Dimensioni guidaavvola
- ²⁶ Consultare la sezione note a piè di pagina

CODICE MATERIALE	TIPO	TESTA	STELO	ADATTO A
MB	Monometallo	Acciaio martensitico cromo-silicio	n/d	Valvole di aspirazione diesel e benzina e per steli in valvole di aspirazione bimetalliche
MD	Monometallo	Acciaio nichel-manganese-cromo Austenitico	n/d	Valvole di scarico per temperature fino a 750°C
ME	Bimetallo	Acciaio nichel-manganese-cromo Austenitico con niobio, tungsteno e azoto in lega	MB	Valvole di scarico per applicazioni pesanti per temperature fino a 780°C
MF	Bimetallo	Nimonic™, lega super a base di nichel con cromo, cobalto e titanio in lega	MB	Valvole di scarico; buona resistenza meccanica, resistenza a fatica, erosione e corrosione. Per temperature fino a 820°C
MG	Bimetallo	MD	MB	Valvole di scarico per temperature fino a 750°C

CODICE CARATTERISTICHE	DESCRIZIONE
cr	Strato di cromo sullo stelo di valvola
tu	Valvola Carbotritura
ss	Sede saldata in stellite
Y	Sede valvola rinforzata
st	Puntale saldato in Stellite
H	Puntale valvola rinforzato

COME SI UTILIZZA IL CATALOGO

CITROEN/PEUGEOT

1 159	 83.00	2 Petrol						
XU5J (180Z) 3	4 Cyl.	9.8:1	1580cc	76kW (103)PS				5 TD2862 6 916
XU5J (180Z)	4 Cyl.	9.8:1	1580cc	76kW (103)PS				TD597 918
4 205	04/86 → 10/90	309	11/85 → 09/88	BX				03/86 → 12/94
 7	 8	 9	 10	 11	 12	 13	 14	
BL650 Fibre Composite, 1.200mm BR510 Fibre Composite, 1.440mm	DL650 DN590 ▲ [54]	GL650 [54]	HBS083  M11x1.50x168.00mm (x10)	JC750  JC415  (x4) LT634 	JN547	HR569 	NF817 36.00x50.00x7.00mm FPM	
								
BL650 [54] With gaskets/seals	[54] Avec joints	[54] Con guarnizioni	[54] Con juntas					

1 N. Pannello

2 Alesaggio


3 Dati motore


4 Dati modello


5 TecDoc / F-M N. motore

6 Numero pannello corrispondente alla parte superiore del motore

7 **GUARNIZIONE TESTA CILINDRO**

 = Sinistra

 = Destra

 = Sporgenza pistone

0.50mm = spessore

1 foro = segno di identificazione

8 **KIT TESTA**

▲ = Senza guarnizione testa cilindro

■ = Senza guarnizioni

☒ = Senza guarnizione coperchio valvola

○ = Senza guarnizioni stelo valvola

9 **KIT COMPLETO**

▲ = Senza guarnizione testa cilindro

■ = Senza guarnizioni

☒ = Senza guarnizione coperchio valvola

○ = Senza guarnizioni stelo valvola

10 **KIT VITI TESTA**

⊕ = Forma viti testa



▲ Maschio esagonale



⊖ Femmina esagonale



⊕ Maschio a stella



⊖ Femmina a stella



⊕ Torx maschio



⊖ Torx femmina




⊕ Collare esagonale





⊖ Femmina scanalata (Ribe-CV®)*


*Ribe-CV® è un marchio registrato di Richard Bergner GmbH & Co.


11 **GUARNIZIONE COLLETTORE**


Sinistra = 


Destra = 

Kit = 


Aspirazione = 


Scarico = 


Superiore = 


Inferiore = 


12 **GUARNIZIONE COPERCHIO VALVOLA**

Sinistra = 


Destra = 


Aspirazione = 


Scarico = 

Kit = 


13 **GUARNIZIONE STELO VALVOLA**


Kit = 

Aspirazione = 

Scarico = 

14 **PARAOLIO ALBERO A CAMME**

Anteriore = 

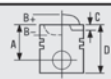
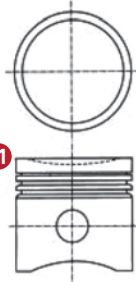


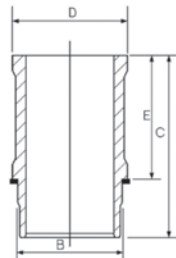

Posteriore = 

15 Consultare la sezione note a piè di pagina

COME SI UTILIZZA IL CATALOGO

IT



CITROEN/PEUGEOT			
1 848	2 75.00	Petrol	
TU3M/Z (KDX) 3	4 Cyl.	9.3:1	1360cc 55kW (75PS) 5 TD5080 6 79
AX 4	04/87→04/97	ZX	03/91→10/97
 7 87-154400-00 STD A 40.50 B- 1.10 Bø 62.00 D 64.50 20x62 	 8 08-154400-00 STD 08-154407-00 0.50mm 1.75 CR P 2.00 P 3.00 P	 9 14-636600-00 WH 10 B 79.50 C 134.50 D 89.20 E 90.00 	 12 88-154400-00 87-154400-00 + 14-636600-00

- 1** N. Pannello
- 2** Alesaggio
- 3** Dati motore
- 4** Dati modello
- 5** TecDoc / F-M N. motore
- 6** Numero pannello corrispondente alla parte superiore del motore
- 7** Codice Pistone
 - A = altezza di compressione
 - B = profondità camera di combustione /sporgenza testa
 - Bø = diametro camera di combustione
 - C = profondità sede valvola
 - D = Lunghezza
 - RT = inserto Alfin
 - KK = galleria di raffreddamento olio
 - AK = nicchia getto olio
 - HA = rivestimento anodizzato sul cielo
 - NB = boccola foro spinotto
 - TP = biella trapezoidale
- 8** Codice set segmenti
 - Larghezza segmento
 - Forma segmento
 - Trattamento superficiale segmento
- 9** Codice canna
 - B = diametro esterno
 - C = lunghezza totale
 - D = diametro flangia
 - E = larghezza flangia
 - F = altezza parafiamma fiamma
- 10** Tipo canna
 - D = A Secco
 - WH = Riportata in Umido
 - DH = Riportata a Secco
- 11** Immagine pistone e numero di fusione (dove applicabile)
- 12** Codice gruppo kit

COME SI UTILIZZA IL CATALOGO



IT

994		85.00	Diesel								
DW12BTED4 (4HT) Euro 4	4 Cyl.	16.6:1	2179cc	125kW (170)PS	TD20028	245					
DW12BTED4 (4HT) Euro 4	4 Cyl.	16.6:1	2179cc	125kW (170)PS	TD20812	245					
407	05/06 →		607	05/06 →	807	06/06 →					
C5	04/06 →		C6	06/06 →	C8	06/06 →					
BE/PL	4	49.984/50.000	53.695/53.708	20.000	1.838	0.020/0.070	SP	71-3952	71-3952/4	[1]	23

- 13** Tipo e posizione cuscinetto
BE/PL = Cuscinetto (testa di) biella
MB/HL = Cuscinetto di banco
TW/A = Spallamenti
SE/PB = Boccola spinotto pistone (piede di biella)
CB/NWB = Boccola albero a camme
BU = Altre boccole
- 14** Composizione set
- 15** Diametro perno di banco standard minimo e massimo
- 16** Diametro alesaggio sede minimo e massimo
- 17** Larghezza massima del cuscinetto
- 18** Spessore parete standard massimo
- 19** Passaggio olio
- 20** Codici materiale cuscinetti
AL = Alluminio su supporto in acciaio.....Bi-/Trimetallico
B = Ottone
BB = Lega antiattrito fondo acciaio.....Bimetallico

- BC = Bronzo su supporto in acciaio -
no rivestimento.....Bimetallico
- BS = Bronzo sinterizzato con supporto in acciaio -
no rivestimento.....Bi-/Trimetallico
- EC = Bronzo su supporto in acciaio -
elettrodeposto.....Trimetallico
- SP = Bronzo su supporto in acciaio -
processo sputter.....Trimetallico
- IX = Alluminio su supporto in acciaio - Polimerico
-LF= Senza piombo
- 21** Codice componente
- 22** Codice kit Glyco e misure (sottodimensionate) disponibili
H = Cuscinetto di banco
N = Boccola albero a camme
A = Spallamento
.../4 = Numero coppie (di cuscinetti) o pezzi (spallamenti/
boccole) per ciascun set
...H = Cuscinetto di spinta (flangiato)
- 23** Consultare la sezione note a piè di pagina



795		72.00	Petrol			
EH951 [21][23] EH952 [22]	JJ586 ⇒PB852 16.00x24.00x1.500mm ⇒PA349 22.00x16.00x2.000mm JJ586	NF870 42.00x66.00x6.00mm, FPM/ACM NF857 85.00x105.00x9.00mm, FPM/ACM NF850 85.00x105.00x8.00mm, FPM				
28						
[21] Supplementary Article/Supplementary Info 2: With cylinder sleeve ring	[21] Article complémentaire / Info complémentaire 2: avec deux bagues de chemises de cylindre	[21] Articulo complementario/ Información complementaria 2: con segmentos para camisa	[21] Articolo complementare/Info integrativa 2: Con anello tenuta canna cilindro			
[22] Supplementary Article/Supplementary Info:	[22] Article complémentaire /	[22] Articulo complementario/Información	[22] Articolo complementare/Info			

- 24** **SERIE COMPLEMENTARE**
▲ = Senza guarnizione testa cilindro
■ = Senza guarnizioni
☒ = Senza guarnizione coperchio valvola
● = Senza guarnizioni stelo valvola

- 25** **GUARNIZIONE COPPA OLIO**
Kit =
- 26** **TAPPO DI SCARICO OLIO**
⇒

- 27** **GUARNIZIONE ALBERO MOTORE**
Anteriore =
- Posteriore =

- 28** [] = Note tecniche

COMMENT SE SERVIR DE CE CATALOGUE

FR



CITROEN/PEUGEOT

67 1	75.00 2	Petrol		
TU3A (KfV) 3	4 Cyl.	9.3:1	1360cc	54kW (73)PS 5 TD21111 6 36
TU3A (KfV)	4 Cyl.	9.3:1	1360cc	54kW (73)PS TD23774 836
206 4	07/02 →	206+	01/09 →	207 02/06 →
207 SW	06/07 →	BIPPER	02/08 →	BIPPER Tepee 04/08 →
C3	02/02 →	NEMO	02/08 →	PARTNER 11/02 → 10/06

7	8	9	10	11	12
TB711 104x17 [72] Euro 3 (D3)	TBK312 Component No:TB711;AE1168TP [72] Euro 3 (D3)	CAM731 [72] [72] Euro 3 (D3)	FOL160 (x8) [72] Euro 3 (D3)		

13	B x C x D	OE	MAT.	20	22	23	E x F x G
V91271 14	0948.58		19	30°	H	VAG92401 14	47.50 x 7.01 x 13.06 25
37.00 x 7.00 x 112.50 15	16		17	20	21	VAG96132 14	47.60 x 7.03 x 13.11 24
V91273 14	0949.59		18	45°			
29.50 x 7.00 x 112.50							
















- 1 N° d'encadré
- 2 Taille d'alésage
- 3 Détail du moteur
- 4 Détail du modèle
- 5 Numéro moteur F-M / Numéro TecDoc
- 6 N° d'encadré bas moteur correspondant
- 7 Références de courroie de distribution
Nbre de dents x largeur courroie
- 8 Références de kits de courroie de distribution
- 9 Références d'arbres à came
- 10 Références de kit d'arbres à came
- 11 Références de culbuteur
(quantité moteur exigée entre parenthèses)
- 12 Références patin de butée et poussoir à tige
(quantité moteur exigée entre parenthèses)
- 13 Référence de soupape
- 14 Position de montage
- 15 Dimensions de soupape
- 16 Référence OE de soupape
- 17 Code du matériau
- 18 Revêtement de la tige de soupape
- 19 Modèle à goupille
- 20 Angle du siège
- 21 Traitement du siège
- 22 Traitement de pointe
- 23 Référence du guide de soupape
- 24 Forme du guide de soupape
- 25 Dimensions du guide de soupape
- 26 Voir notes en bas de page




CODE DU MATÉRIAU	TYPE	TÊTE	TIGE	VALABLE POUR
MB	Mono-métallique	Acier d'alliage silicone-chrome martensitique	S/O	Soupapes d'admission essence et diesel, et pour tiges des soupapes d'échappement bimétallique
MD	Mono-métallique	Acier nickel - manganèse - chrome austénitique	S/O	Soupapes d'échappement fonctionnant jusqu'à 750 °C
ME	Bimétallique	Acier nickel - manganèse - chrome austénitique avec niobium, tungstène et azote ajouté.	MB	Soupapes d'échappement haut de gamme fonctionnant jusqu'à 780 °C
MF	Bimétallique	Nimonic™, super alliage à base de nickel avec ajout de chrome, cobalt et titane.	MB	Soupapes d'échappement ; bonne résistance mécanique, à la fatigue, à l'érosion et à la corrosion. Fonctionnant jusqu'à 820 °C
MG	Bimétallique	MD	MB	Soupapes d'échappement fonctionnant jusqu'à 750 °C










CODE CARACTÉRISTIQUE	DESCRIPTION
cr	Couche de chrome sur tige de soupape
tu	Soupape Nitrurée
ss	Siège soudé Stellite
Y	Siège de soupape durci
st	Pointe soudée Stellite
H	Pointe de soupape durcie


















COMMENT SE SERVIR DE CE CATALOGUE

CITROEN/PEUGEOT

1 159	 83.00	2 Petrol					
XU5J (180Z) 3	4 Cyl.	9.8:1	1580cc	76kW (103)PS	5 TD2862	6 916	
XU5J (180Z)	4 Cyl.	9.8:1	1580cc	76kW (103)PS	TD597	918	
4 205	04/86 → 10/90	309	11/85 → 09/88	BX	03/86 → 12/94		
 7	 8	 9	 10	 11	 12	 13	 14
BL650 Fibre Composite, 1.200mm BR510 Fibre Composite, 1.440mm	DL650 DN590 ▲ [54]	GL650 [54]	HBS083  M11x1.50x168.00mm (x10)	JC750  JC415  (x4) LT634 	JN547	HR569 	NF817 36.00x50.00x7.00mm FPM
	BL650 [54] With gaskets/seals	[54] Avec joints	[54] Con guarnizioni	[54] Con juntas			15

- 1** N° d'encadré
- 2** Taille d'alésage
- 3** Détail du moteur
- 4** Détail du modèle
- 5** Numéro moteur F-M / Numéro TecDoc
- 6** N° d'encadré bas moteur correspondant
- 7** **JOINT DE CULASSE**
 -  = Gauche
 -  = Droite
 -  = Saillie piston
 - 0,50 mm = épaisseur
 - 1 trou = marque d'identification
- 8** **ENSEMBLE CULASSE**
 - ▲ = Sans joint de culasse
 - = Sans bagues d'étanchéité
 - ☒ = Sans joint de couvre culasse
 - = Sans joints de tige de soupape
- 9** **ENSEMBLE COMPLET**
 - ▲ = Sans joint de culasse
 - = Sans bagues d'étanchéité
 - ☒ = Sans joint de couvre culasse
 - = Sans joints de tige de soupape

- 10** **JEU VIS DE CULASSE**
 -  Forme de vis de culasse
 -  Hexagonale
 -  Hexagonale type "Allen"
 -  Cannelée
 -  Cannelée intérieure / femelle
 -  Etoile "Tork" mâle
 -  Etoile "Tork" intérieure / femelle
 -  Vis hexagonale à embase
 -  Femelle à cannelure (Ribe-CV®)*

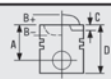
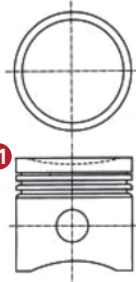


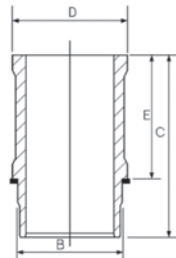

- 11** **JOINT COLLECTEUR**
 - Gauche = 
 - Droite = 
 - Jeu = 
 - Admission = 
 - Échappement = 
 - Supérieur = 
 - Inférieur = 
- 12** **JOINT DE COUVRE CULASSE**
 - Gauche = 
 - Droite = 
 - Admission = 
 - Échappement = 
 - Jeu = 
- 13** **JOINT DE TIGE DE SOUPAPE**
 - Jeu = 
 - Admission = 
 - Échappement = 
- 14** **BAGUES D'ÉTANCHÉITÉ D'ARBRE À CAMES**
 - Avant = 
 - Arrière = 
- 15** Voir notes en bas de page

*Ribe-CV® est une marque enregistrée de Richard Bergner GmbH & Co.

COMMENT SE SERVIR DE CE CATALOGUE

FR



CITROEN/PEUGEOT			
1 848	2 75.00	Petrol	
TU3M/Z (KDX) 3	4 Cyl.	9.3:1	1360cc 55kW (75PS) 5 TD5080 6 79
AX 4	04/87→04/97	ZX	03/91→10/97
 7 87-154400-00 STD A 40.50 B- 1.10 Bø 62.00 D 64.50 20x62 	 8 08-154400-00 STD 08-154407-00 0.50mm 1.75 CR P 2.00 P 3.00 P	 9 10 14-636600-00 WH B 79.50 C 134.50 D 89.20 E 90.00 	 12 88-154400-00 87-154400-00 + 14-636600-00

- 1** N° d'encadré
- 2** Taille d'alésage
- 3** Détail du moteur
- 4** Détail du modèle
- 5** Numéro moteur F-M / Numéro TecDoc
- 6** N° d'encadré haut moteur correspondant
- 7** Référence du piston
 - A = Hauteur d'axe
 - B = Profondeur de la chambre / Hauteur du bossage
 - Bø = Diamètre de la chambre du piston
 - C = Passage de la soupape
 - D = Longueur totale
 - RT = Piston à porte-segments
 - KK = Canal de refroidissement
 - AK = Dégagement pour gicleur d'huile de refroidissement
 - HA = Tête endurcie par oxydation
 - NB = Bague en bronze
 - TP = Bielle trapézoïdale
- 8** Référence du jeu de segments
 - Largeur de segment
 - Schémas des segments
 - Traitement de surface
- 9** Référence de chemise
 - B = Diamètre extérieur
 - C = Longueur totale
 - D = Diamètre bride
 - E = Largeur de collerette
 - F = Hauteur de parefeu
- 10** Type chemise
 - D = Sèche
 - WH = Traitée au sable humide
 - DH = Traitée au sable sec
- 11** Image piston et numéro coquille (le cas échéant)
- 12** Référence du kit d'assemblage

COMMENT SE SERVIR DE CE CATALOGUE



FR

994		85.00	Diesel							
DW12BTED4 (4HT) Euro 4	4 Cyl.	16.6:1	2179cc	125kW (170)PS	TD20028	245				
DW12BTED4 (4HT) Euro 4	4 Cyl.	16.6:1	2179cc	125kW (170)PS	TD20812	245				
407	05/06 →		607	05/06 →	807	06/06 →				
C5	04/06 →		C6	06/06 →	C8	06/06 →				
BE/PL	4	49.984/50.000	53.695/53.708	20.000	1.838	0.020/0.070	SP	71-3952	71-3952/4	[1]

13 Type et emplacement du coussinet

- BE/PL = Coussinet de bielle (tête de bielle)
- MB/HL = Coussinet de palier
- TW/A = Flasque de butée
- SE/PB = Bague de bielle
- CB/NWB = Bague d'arbre à cames
- BU = Autres bagues

14 Composition du jeu de coussinet

15 Diamètre minimum et maximum de maneton standard

16 Diamètre minimum et maximum d'alésage du logement

17 Largeur maximale de coussinet

18 Épaisseur maximale de standard

19 Jeu de fonctionnement

20 Codification des matériaux de coussinets

- AL = Aluminium sur support acier.....Bi/trimétallique
- B = Laiton
- BB = Etain-plomb sur support acier.....Bimétallique

BC = Bronze coulé sur support acier -

sans revêtement.....Bimétallique

BS = Bronze fritté sur support acier -

sans revêtement.....Bi/trimétallique

EC = Bronze sur support acier - électrolytique

.....Trimétallique

SP = Bronze sur support acier - pulvérisé.....Trimétallique

IX = Aluminium sur support acier - polymère

-LF= Sans plomb

21 Référence du composant

22 Référence du jeu Glyco et cotes réparation disponibles

H = Coussinet de palier

N = Bague d'arbre à cames

A = Flasque de butée

.../4 = Paires (coussinets) ou pièces (flasques de butées/bagues) par jeu

...H = Roulement de butée (à bride)

23 Voir notes en bas de page



795		72.00	Petrol								
EH951 [21][23] EH952 [22]		JJ586 ⇒PB852 16.00x24.00x1.500mm ⇒PA349 22.00x16.00x2.000mm JJ586		NF870 42.00x66.00x6.00mm, FPM/ACM NF857 85.00x105.00x9.00mm, FPM/ACM NF850 85.00x105.00x8.00mm, FPM							
28											
[21] Supplementary Article/Supplementary Info 2: With cylinder sleeve ring		[21] Article complémentaire / Info complémentaire 2: avec deux bagues de chemises de cylindre		[21] Artículo complementario / Información complementaria 2: con segmentos para camisa		[21] Articolo complementare/Info integrativa 2: Con anello tenuta canna cilindro					
[22] Supplementary Article/Supplementary Info:		[22] Article complémentaire /		[22] Artículo complementario / Información		[22] Articolo complementare / Info					

24 **POCHETTE COMPLÉMENT**

- ▲ = Sans joint de culasse
- = Sans bagues d'étanchéité
- ☒ = Sans joint de couvre culasse
- = Sans joints de tige de soupape

25 **JOINT DE CARTER D'HUILE**

Pochette =

26 **BOUCHON DE VIDANGE**

27 **BAGUE D'ÉTANCHÉITÉ DE VILEBREQUIN**

Avant =

Arrière =

28 [] = Note technique

CÓMO UTILIZAR ESTE CATÁLOGO

ES



CITROEN/PEUGEOT

67 ¹	75.00 ²	Petrol			
TU3A (KfV) ³	4 Cyl.	9.3:1	1360cc	54kW (73)PS	5 TD21111 6 36
TU3A (KfV)	4 Cyl.	9.3:1	1360cc	54kW (73)PS	TD23774 836
206 ⁴	07/02 →	206+	01/09 →	207	02/06 →
207 SW	06/07 →	BIPPER	02/08 →	BIPPER Tepee	04/08 →
C3	02/02 →	NEMO	02/08 →	PARTNER	11/02 → 10/06

7	8	9	10	11	12
TB711 104x17	TBK312 Component No:TB711;AE1168TP	CAM731 [72]		FOL160 (x8)	
[72] Euro 3 (D3)	[72] Euro 3 (D3)	[72] Euro 3 (D3)	[72] Euro 3 (D3)		

13 B x C x D	OE	19	30°	21	22	23 E x F x G
V91271 14	0948.58	17	45°	H		VAG92401 14
37.00 x 7.00 x 112.50 ¹⁵	16	MB	20	21	22	47.50 x 7.01 x 13.06 ²⁵
V91273 14	0949.59	MD or 18				VAG96132 14
29.50 x 7.00 x 112.50						47.60 x 7.03 x 13.11












- 1** N.º panel
- 2** Diámetro del cilindro
- 3** Datos del motor
- 4** Datos del modelo
- 5** Número motor F-M / TecDoc
- 6** Número de panel del motor correspondiente
- 7** Referencias de las correas de distribución
N.º de dientes x anchura de la correa
- 8** Referencias del kit de correas de distribución
- 9** Referencias del árbol de levas
- 10** Referencias del kit de levas
- 11** Referencias de balancín (cantidad necesaria para el motor, entre paréntesis)
- 12** Referencias de pastillas de empuje y taqués (cantidad necesaria para el motor, entre paréntesis)
- 13** Referencias de válvula
- 14** Posición de montaje
- 15** Dimensiones de válvula
- 16** Referencia de equipo original de la válvula
- 17** Referencias
- 18** Revestimiento del vástago de la válvula
- 19** Diseño de la chaveta
- 20** Ángulo del asiento
- 21** Tratamiento del asiento
- 22** Tratamiento de la punta del vástago
- 23** Referencias de la guía de válvula
- 24** Forma de la guía de válvula
- 25** Dimensiones de la guía de válvula
- 26** Consulte la sección a pie de página

REFERENCIA	TIPO	CULATA	VÁSTAGO	ADECUADO PARA
MB	Monometálico	Aleación de acero al cromo-silicio martensítico	N/D	Válvulas de admisión de gasolina y diésel para vástagos de válvulas de escape bimetalicas
MD	Monometálico	Acero austenítico al cromo-manganeso-níquel	N/D	Válvulas de escape que soportan hasta 750 °C
ME	Bimetálico	Acero austenítico al cromo-manganeso-níquel con niobio, tungsteno y nitrógeno	MB	Válvulas de escape para vehículos pesados, rango de temperatura de trabajo de hasta 780 °C
MF	Bimetálico	Nimonic™, superaleación al níquel con cromo, cobalto y titanio	MB	Válvulas de escape de buena resistencia mecánica, con resistencia a la fatiga, la erosión y la corrosión; Rango de temperatura de hasta 820 °C
MG	Bimetálico	MD	MB	Válvulas de escape con rango de temperatura hasta 750 °C

CÓDIGO DE CARACTERÍSTICA	DESCRIPCIÓN
cr	Capa de cromo en el vástago de la válvula
tu	Válvula nitrurada / nitrocarbuzada
ss	Asiento Stellite soldado
Y	Asiento de válvula endurecido
st	Punta Stellite soldada
H	Punta de válvula endurecida

CÓMO UTILIZAR ESTE CATÁLOGO

CITROEN/PEUGEOT

1 159	 83.00	2 Petrol						
XU5J (180Z) 3	4 Cyl.	9.8:1	1580cc	76kW (103)PS				5 TD2862 6 916
XU5J (180Z)	4 Cyl.	9.8:1	1580cc	76kW (103)PS				TD597 918
4 205	04/86 → 10/90	309	11/85 → 09/88	BX	03/86 → 12/94			
 7	 8	 9	 10	 11	 12	 13	 14	
BL650 Fibre Composite, 1.200mm BR510 Fibre Composite, 1.440mm	DL650 DN590 ▲ [54]	GL650 [54]	HBS083 Ⓢ M11x1.50x168.00mm (x10)	JC750 I JC415 E (x4) LT634	JN547	HR569 E	NF817 36.00x50.00x7.00mm FPM	
								
BL650 [54] With gaskets/seals	[54] Avec joints	[54] Con guarnizioni	[54] Con juntas					

- 1** N.º panel
- 2** Diámetro del cilindro
- 3** Datos del motor
- 4** Datos del modelo
- 5** Número motor F-M / TecDoc
- 6** Número de panel de la parte inferior del motor correspondiente
- 7** **JUNTA DE CULATA**
 - ☐ = Izquierda
 - ☒ = Derecha
 - ☒ = Protrusión del pistón
 - 0.50 mm = Grosor
 - 1 orificio = Marca de identificación
- 8** **CONJUNTO DE CULATA**
 - ▲ = Sin junta de culata
 - = Sin juntas
 - ☒ = Sin junta de cubierta de la válvula
 - = Sin juntas del vástago de la válvula
- 9** **CONJUNTO COMPLETO**
 - ▲ = Sin junta de culata
 - = Sin juntas
 - ☒ = Sin junta de cubierta de la válvula
 - = Sin juntas del vástago de la válvula

10 CONJUNTO DE TORNILLOS DE CULATA

- Ⓢ Forma de tornillos



*Ribe-CV® es una marca comercial registrada de Richard Bergner GmbH & Co.

11 JUNTA DEL COLECTOR

- Izquierda = ☐
- Derecha = ☒
- Conjunto = ☒
- Admisión = I
- Escape = E
- Parte superior = ▲
- Parte inferior = ▼

12 JUNTA DE CUBIERTA DE LA VÁLVULA

- Izquierda = ☐
- Derecha = ☒
- Admisión = I
- Escape = E
- Conjunto = ☒

13 JUNTA DEL VÁSTAGO DE LA VÁLVULA

- Conjunto = ☒
- Admisión = I
- Escape = E

14 RETENES DE ACEITE DEL ÁRBOL DE LEVAS

- Parte delantera = F
- Parte trasera = R

15 Consulte la sección de pie de página

CÓMO UTILIZAR ESTE CATÁLOGO

ES



CITROEN/PEUGEOT			
1 848	2 75.00	Petrol	
TU3M/Z (KDX) 3	4 Cyl.	9.3:1	1360cc
			55kW (75PS)
			5 TD5080 6 79
4 AX	04/87→04/97	ZX	03/91→10/97
 7 87-154400-00 STD A 40.50 B- 1.10 BØ 62.00 D 64.50 RT 20x62 	 8 08-154400-00 STD 08-154407-00 0.50mm 1.75 CR P 2.00 P 3.00 P	 9 14-636600-00 WH B 79.50 C 134.50 D 89.20 E 90.00 10	 12 88-154400-00 87-154400-00 + 14-636600-00

- 1** N.º panel
- 2** Diámetro del cilindro
- 3** Datos del motor
- 4** Datos del modelo
- 5** Número motor F-M / TecDoc
- 6** Número de panel de la parte superior del motor correspondiente
- 7** Referencia del pistón
 - A = Altura de compresión
 - B = Profundidad de la cabeza / Altura de la corona
 - BØ = Diámetro de la cabeza
 - C = Profundidad asiento de válvula
 - D = Longitud
 - RT = Inserción alfin
 - KK = Conductos de refrigeración de aceite
 - AK = Corte del inyector de aceite
 - HA = Revestimiento duro anodizado en la corona
 - NB = Perno de bronce
 - TP = Cabeza de biela trapezoidal
- 8** Referencia del conjunto de segmentos
 - Anchura del segmento
 - Diseño del segmento
 - Tratamiento de la superficie del segmento
- 9** Referencia de la camisa
 - B = Diámetro exterior
 - C = Longitud general
 - D = Diámetro de la brida
 - E = Anchura de la brida
 - F = Altura cortafuego
- 10** Tipo de camisa
 - D = Seca
 - WH = Pulida húmeda
 - DH = Pulida seca
- 11** Número de moldeado e imagen del pistón (si procede)
- 12** Referencia del conjunto del kit

CÓMO UTILIZAR ESTE CATÁLOGO



ES

994		85.00	Diesel						
DW12BTED4 (4HT) Euro 4	4 Cyl.	16.6:1	2179cc	125kW (170)PS	TD20028	245			
DW12BTED4 (4HT) Euro 4	4 Cyl.	16.6:1	2179cc	125kW (170)PS	TD20812	245			
407	05/06 →	607	05/06 →	807	06/06 →				
C5	04/06 →	C6	06/06 →	C8	06/06 →				
BE/PL	4	49.984/50.000	53.695/53.708	20.000	1.838	0.020/0.070	SP	71-3952	71-3952/4 CFR 0.20 [1] 23

- 13** Tipo de cojinete y posición
BE/PL = Cojinete de biela
MB/HL = Cojinete principal
TW/A = Arandela de empuje
SE/PB = Casquillo del bulón
CB/NWB = Casquillo del árbol de levas
BU = Otros casquillos
- 14** Composición del conjunto
- 15** Diámetro de la muñequilla estándar mínimo y máximo
- 16** Diámetro mínimo y máximo de la carcasa
- 17** Anchura máxima del cojinete
- 18** Grosor estándar máximo de la pared
- 19** Paso de aceite
- 20** Códigos del material del cojinete
AL = Aluminio con acero... Bi/trimetálico
B = Latón
BB = Antifricción con acero... Bimetálico
- BC = Bronce fundido con acero – sin superposición... Bimetálico
- BS = Bronce aglomerado con acero – sin superposición... Bi/trimetálico
- EC = Bronce con acero – revestimiento electrónico... Trimetálico
- SP = Bronce con acero – pulverización catódica... Trimetálico
- IX = Aluminio con acero – polímero
- LF= Sin plomo
- 21** Referencia del componente
- 22** Referencia del conjunto de Glyco y dimensiones disponibles por debajo de la estándar
H = Cojinete de bancada
N = Casquillo del árbol de levas
A = Arandela de empuje
.../4 = Número de pares (cojinetes) o piezas (arandelas/casquillos) por conjunto
...H = Cojinete (brida) de empuje
- 23** Consulte el pie de página en la sección



795		72.00	Petrol			
EH951 [21][23] EH952 [22]	JJ586 ⇒PB852 16.00x24.00x1.500mm ⇒PA349 22.00x16.00x2.000mm JJ586	NF870 42.00x66.00x6.00mm, FPM/ACM NF857 85.00x105.00x9.00mm, FPM/ACM NF850 85.00x105.00x8.00mm, FPM				
28						
[21] Supplementary Article/Supplementary Info 2: With cylinder sleeve ring	[21] Article complémentaire / Info complémentaire 2: avec deux bagues de chemises de cylindre	[21] Artículo complementario / Información complementaria 2: con segmentos para camisa	[21] Articolo complementare/Info integrativa 2: Con anello tenuta canna cilindro			
[22] Supplementary Article/Supplementary Info:	[22] Article complémentaire /	[22] Artículo complementario/Información	[22] Articolo complementare/Info			

- 24** **JUEGO DE PARTE BAJA**
▲ = Sin junta de culata
■ = Sin retenes
⊗ = Sin junta de tapa de válvulas
○ = Sin retenes de válvula
- 25** **JUNTA DEL CÁRTER**
Conjunto =
- 26** **TAPÓN DE DRENAJE DE ACEITE**
- 27** **RETÉN DEL CIGÜEÑAL**
Delantero = **F**
Trasero = **R**
- 28** [] = Nota técnica

JAK UŻYWAĆ TEGO KATALOGU

PL



CITROEN/PEUGEOT					
67	1	75.00	2	Petrol	
TU3A (KfV)	3	4 Cyl.	9.3:1	1360cc	54kW (73)PS
TU3A (KfV)		4 Cyl.	9.3:1	1360cc	54kW (73)PS
206	4	07/02 →	206+	01/09 →	207
207 SW		06/07 →	BIPPER	02/08 →	BIPPER Tepee
C3		02/02 →	NEMO	02/08 →	PARTNER
					02/06 →
					04/08 →
					11/02 → 10/06
TB711	TBK312	CAM731 [72]	FOL160 (x8)		
104x17	Component No:TB711;AE1168TP				
[72] Euro 3 (D3)	[72] Euro 3 (D3)	[72] Euro 3 (D3)	[72] Euro 3 (D3)		
13 B x C x D	OE	MAT.	19	20 21 22	23 E x F x G
V91271	0948.58		30°	H	VAG92401
37.00 x 7.00 x 112.50		MB	45°		47.50 x 7.01 x 13.06
V91273	0949.59	MD cr			VAG96132
29.50 x 7.00 x 112.50					47.60 x 7.03 x 13.11

















- 1 Numer
- 2 Średnica cylindra
- 3 Dane silnika
- 4 Model samochodu
- 5 Nr silnika F-M/TecDoc
- 6 Odpowiadający numer dotu silnika
- 7 Referencje paska rozrządu
Liczba zębów x szerokość paska
- 8 Referencje zestawu paska rozrządu
- 9 Referencje wałka rozrządu
- 10 Referencje zestawu krzywek rozrządu
- 11 Referencje dźwigni zaworowych (wymagane ilości na silnik w nawiasach)
- 12 Referencje popychaczy i ptytek oporowych (wymagane ilości na silnik w nawiasach)
- 13 Referencje zaworów
- 14 Pozycja montażu
- 15 Wymiary zaworu
- 16 Referencje OE zaworu
- 17 Kod materiału
- 18 Powłoka trzpienia zaworu
- 19 Typ klina poprzecznego
- 20 Kąt gniazda
- 21 Obróbka gniazda
- 22 Obróbka końcówki
- 23 Referencje przewodnicy zaworu
- 24 Kształt przewodnicy zaworu
- 25 Wymiary przewodnicy zaworu
- 26 Zobacz sekcja przypisów

KOD MATERIAŁU	TYP	GŁOWICA	TRZPIEŃ	ZASTOSOWANIE
MB	Monometal	Martenzytyczna stal chromowokorzeniowa	nd	Zawory dolotowe w silnikach benzynowych i wysokoprężnych oraz do trzpieni w bimetalicznych zaworach wylotowych
MD	Monometal	Austenityczna stal chromowo-niklowo-manganowa	nd	Zawory wydechowe pracujące w temperaturze do 750°C
ME	Bimetal	Austenityczna stal chromowo-niklowo-manganowa z dodatkiem niobu, wolframu i azotu	MB	Bardzo trwałe zawory wydechowe, pracujące w temperaturze do 780°C
MF	Bimetal	Nimonic™, superstop na bazie niklu z dodatkiem chromu, kobaltu i tytanu	MB	Zawory wydechowe, dobra wytrzymałość mechaniczna, odporność na zmęczenie, erozję i korozję. Praca w temperaturze do 820°C
MG	Bimetal	MD	MB	Zawory wydechowe pracujące w temperaturze do 750°C

KOD CECHY	OPIS
cr	Warstwa chromu na trzpieniu zaworu
tu	Zawór węglazotowany (w procesie Tufftride)/azotowany
ss	Spawane staliowe gniazdo
Y	Utwardzone gniazdo zaworu
st	Spawana końcówka staliowa
H	Hartowana końcówka zaworu

JAK UŻYWAĆ TEGO KATALOGU

CITROEN/PEUGEOT

1 159	 83.00	2 Petrol						
XU5J (180Z) 3	4 Cyl.	9.8:1	1580cc	76kW (103)PS			5 TD2862 6 916	
XU5J (180Z)	4 Cyl.	9.8:1	1580cc	76kW (103)PS			TD597 918	
4 205	04/86 → 10/90	309	11/85 → 09/88	BX	03/86 → 12/94			
 7	 8	 9	 10	 11	 12	 13	 14	
BL650 Fibre Composite, 1.200mm BR510 Fibre Composite, 1.440mm	DL650 DN590 ▲ [54]	GL650 [54]	HBS083  M11x1.50x168.00mm (x10)	JC750  JC415  (x4) LT634 	JN547	HR569 	NF817 36.00x50.00x7.00mm FPM	
								
BL650 [54] With gaskets/seals	[54] Avec joints	[54] Con guarnizioni	[54] Con juntas					

1 Numer

2 Średnica cylindra


3 Dane silnika


4 Model samochodu


5 Nr silnika F-M/TecDoc

6 Odpowiadający numer dotu silnika

7 **USZCZELKA POD GŁOWICĘ**

 = Lewa

 = Prawa

 = Występ tłoka

0,50 mm = grubość

1 otwór = oznaczenie identyfikacyjne

8 **ZESTAW GŁOWICY**

▲ = Bez uszczelki głowicy cylindra

■ = Bez uszczelnień

☒ = Bez uszczelki pokrywy zaworów

● = Bez uszczelniaczy zaworowych

9 **PEŁNY ZESTAW**

▲ = Bez uszczelki głowicy cylindra

■ = Bez uszczelnień

☒ = Bez uszczelki pokrywy zaworów

● = Bez uszczelniaczy zaworowych


10 **ZESTAW ŚRUB DO GŁOWICY**


⊕ Kształt śruby do głowicy





* Ribe-CV® jest zastrzeżonym znakiem handlowym firmy Richard Bergner GmbH & Co.


11 **USZCZELKA KOLEKTORA**


Lewa = 


Prawa = 

Zestaw = 


Dolotowe = 


Wydechowe = 


Górne = 


Dolne = 

12 **USZCZELKA POKRYWY ZAWORÓW**

Lewa = 

Prawa = 


Dolotowe = 


Wydechowe = 

Zestaw = 


13 **USZCZELNIACZ ZAWORU**


Zestaw = 

Dolotowe = 

Wydechowe = 

14 **USZCZELNIENIA OLEJOWE
WAŁKA ROZRZĄDU**

Przód = 

Tył = 

15 Zobacz sekcja przypisów

JAK UŻYWAĆ TEGO KATALOGU

PL



CITROEN/PEUGEOT

1 848	2 75.00	Petrol		
TU3M/Z (KDX) 3	4 Cyl.	9.3:1	1360cc	55kW (75PS) 5 TD5080 6 79
AX 4	04/87→04/97	ZX	03/91→10/97	
7 87-154400-00 STD A 40.50 B- 1.10 BØ 62.00 D 64.50 20x62	8 08-154400-00 STD 08-154407-00 0.50mm 1.75 CR P 2.00 P 3.00 P	9 10 14-636600-00 WH B 79.50 C 134.50 D 89.20 E 90.00 	12 88-154400-00 87-154400-00 + 14-636600-00	

- 1** Numer
- 2** Średnica cylindra
- 3** Dane silnika
- 4** Model samochodu
- 5** Nr silnika F-M/TecDoc
- 6** Odpowiadający numer góry silnika
- 7** Dane tłoka
 - A = Wysokość kompresji
 - B = Głębokość czaszy/Wysokość korony
 - BØ = Średnica czaszy
 - C = Głębokość kieszeni zaworu
 - D = Długość
 - RT = Wkładka alfinowa
 - KK = Kanał chłodzenia oleju
 - AK = Wycięcie głowicy olejowej
 - HA = Twarda powłoka anodowana na koronie
 - NB = Tuleja sworznia z brązu
 - TP = Korbwód trapezowy
- 8** Referencja zestawu pierścieni
 - Szerokość pierścienia
 - Typ pierścienia
 - Obróbka powierzchni pierścienia
- 9** Referencja tulei
 - B = Średnica zewnętrzna
 - C = Długość całkowita
 - D = Średnica kotnierza
 - E = Szerokość kotnierza
 - F = Wysokość krawędzi termicznej
- 10** Typ tulei
 - D = Sucha
 - WH = Honowana na mokro
 - DH = Honowana na sucho
- 11** Obraz tłoka i numer odlewu (jeśli dotyczy)
- 12** Nr referencyjny zestawu

JAK UŻYWAĆ TEGO KATALOGU



PL

994		85.00	Diesel								
DW12BTED4 (4HT) Euro 4	4 Cyl.	16.6:1	2179cc	125kW (170)PS	TD20028	245					
DW12BTED4 (4HT) Euro 4	4 Cyl.	16.6:1	2179cc	125kW (170)PS	TD20812	245					
407	05/06 →		607	05/06 →	807	06/06 →					
C5	04/06 →		C6	06/06 →	C8	06/06 →					
BE/PL	4	49.984/50.000	53.695/53.708	20.000	1.838	0.020/0.070	SP	71-3952	71-3952/4	[1]	23

- 13** Typ i pozycja łożyska
BE/PL = Łożysko stopy korbowodu
MB/HL = Łożysko główne
TW/A = Podkładka oporowa
SE/PB = Panewka sworznia korbowodu
CB/NWB = Panewka wałka rozrządu
BU = Inne panewki
 - 14** Skład zestawu
 - 15** Minimalna i maksymalna standardowa średnica czopu
 - 16** Minimalna i maksymalna średnica otworu obudowy
 - 17** Maksymalna szerokość łożyska
 - 18** Maksymalna standardowa grubość ścianki
 - 19** Szczelina olejowa
 - 20** Kody materiału łożyska
AL = Stal z aluminium.....Bi-/trimetaliczne
B = Mosiądz
BB = Stal z babbitem.....Bimetaliczne
 - 21** Referencje składników
 - 22** Referencje zestawu Glyco i dostępne podwymiary
H = Łożysko główne
N = Panewka wałka rozrządu
A = Podkładka oporowa
.../4 = Liczba par (łożysk) lub elementów (podkładek/panewek) na zestaw
...H = Łożysko oporowe (kotnierzowe)
 - 23** Zobacz sekcja przypisów
- BC = Stal z odlewem z brązu – bez pokrycia...Bimetaliczne
BS = Stal z brązem spiekany – bez pokrycia.....Bi-/trimetaliczne
EC = Stal z brązem – powlekanie galwaniczne...Trimetallic
SP = Stal z brązem – Sputer.....Trimetallic
IX = Stal z aluminium - polimer
-LF= Bezołowiowe



795		72.00	Petrol			
EH951 [21][23] EH952 [22]	JJ586 PB852 16.00x24.00x1.500mm PA349 22.00x16.00x2.000mm JJ586	NF870 42.00x66.00x6.00mm, FPM/ACM NF857 85.00x105.00x9.00mm, FPM/ACM NF850 85.00x105.00x8.00mm, FPM				
28						
[21] Supplementary Article/Supplementary Info 2: With cylinder sleeve ring	[21] Article complémentaire / Info complémentaire 2: avec deux bagues de chemises de cylindre	[21] Articulo complementario / Información complementaria 2: con segmentos para camisa	[21] Articolo complementare/Info integrativa 2: Con anello tenuta canna cilindro			
[22] Supplementary Article/Supplementary Info:	[22] Article complémentaire /	[22] Articulo complementario/Información	[22] Articolo complementare/Info			

- 24** ZESTAW USZCZELEK – DÓŁ SILNIKA
▲ = Bez uszczelki podgłowicowej
■ = Bez uszczelnień
☒ = Bez uszczelki pokrywy zaworów
● = Bez uszczelnień trzonka zaworu
- 25** USZCZELKA MISKI OLEJOWEJ
Komplett =
- 26** KOREK SPUSTOWY OLEJU
- 27** USZCZELNIENIE WAŁU KORBOWEGO
Przedni =
Tylny =
- 28** [] = Uwaga techniczna

КАК ПОЛЬЗОВАТЬСЯ КАТАЛОГОМ

RU



CITROEN/PEUGEOT

67 1	75.00 2	Petrol		
TU3A (KFV) 3	4 Cyl.	9.3:1	1360cc	54kW (73)PS 5 TD21111 6 36
TU3A (KFV)	4 Cyl.	9.3:1	1360cc	54kW (73)PS TD23774 836
206 4	07/02 →	206+	01/09 →	207 02/06 →
207 SW	06/07 →	BIPPER	02/08 →	BIPPER Tepee 04/08 →
C3	02/02 →	NEMO	02/08 →	PARTNER 11/02 → 10/06

7	8	9	10	11	12
TB711 104x17	TBK312 Component No:TB711;AE1168TP	CAM731 [72]		FOL160 (x8)	
[72] Euro 3 (D3)	[72] Euro 3 (D3)	[72] Euro 3 (D3)	[72] Euro 3 (D3)		

13	B x C x D	OE	MAT.	20	21	22	23	E x F x G
V91271 14	0948.58		19	30°	H		VAG92401 14	24
37.00 x 7.00 x 112.50 15	16		MB	45°			47.50 x 7.01 x 13.06 25	24
V91273 14	0949.59		MD or				VAG96132 14	24
29.50 x 7.00 x 112.50			17-18				47.60 x 7.03 x 13.11	

- | | | |
|---|--|--|
| 1 № секции | 9 Номер распределительного вала | 17 Код материала |
| 2 Диаметр цилиндра | 10 Номер комплекта распределительного вала | 18 Покрытие штока клапана |
| 3 Информация о двигателе | 11 Номер клапанного коромысла (в скобках - требуемое количество на двигатель) | 19 Конструкция сухаря клапана |
| 4 Информация о модели | 12 Номер толкателя клапана и упорной шайбы (в скобках - требуемое количество на двигатель) | 20 Угол седла |
| 5 TecDoc / FM номер двигателя | 13 Номер клапана | 21 Обработка седла |
| 6 Соответствующий номер информационной секции для нижней части двигателя | 14 Положение установки | 22 Обработка конца штока клапана |
| 7 Номер ремня привода газораспределительного механизма Кол-во зубцов x ширина ремня | 15 Размеры клапана | 23 Номер направляющей втулки клапана |
| 8 Номер комплекта ремня привода газораспределительного механизма | 16 Оригинальный номер клапана | 24 Форма направляющей втулки клапана |
| | | 25 Размеры направляющей втулки клапана |
| | | 26 См. раздел примечаний |

КОД МАТЕРИАЛА	ТИП	ГОЛОВКА	ШТОК	ПОДХОДИТ ДЛЯ	ИДЕНТИФИЦИРУЮЩИЙ КОД	ОПИСАНИЕ
MB	Монометаллический	Мартенситная хромо-кремнистая сталь	нет	Впускные клапаны бензиновых и дизельных двигателей, штоки в биметаллических выпускных клапанах	cr	Хромовое покрытие штока клапана
MD	Монометаллический	Аустенитная хромо-марганцево-никелевая сталь	нет	Выпускные клапаны, функционирующие при температуре до 750°C	tu	Клапан, обработанный газовым нитрированием / азотированием
ME	Биметаллический	Аустенитная хромо-марганцево-никелевая сталь с добавлением ниобия, вольфрама и азота	MB	Выпускные клапаны для двигателей высокой мощности, функционирующие при температуре до 780°C	ss	Стеллитовое седло
MF	Биметаллический	Nitonic™, жаропрочный сплав на основе никеля с добавлением хрома, кобальта и титана	MB	Выпускные клапаны; высокая механическая прочность, сопротивление усталости, эрозии и коррозии. Функционирование при температуре до 820°C	Y	Закаленное седло клапана
MG	Биметаллический	MD	MB	Выпускные клапаны, функционирующие при температуре до 750°C	st	Стеллитовый наконечник
					H	Закаленный наконечник клапана

КАК ПОЛЬЗОВАТЬСЯ КАТАЛОГОМ



RU

CITROEN/PEUGEOT

1 159	2 83.00	Petrol					
XU5J (180Z) 3	4 Cyl.	9.8:1	1580cc	76kW (103)PS	5 TD2862	6 916	
XU5J (180Z)	4 Cyl.	9.8:1	1580cc	76kW (103)PS	TD597	918	
4 205	04/86 → 10/90	309	11/85 → 09/88	BX	03/86 → 12/94		
7	8	9	10	11	12	13	14
BL650 Fibre Composite, 1.200mm BR510 Fibre Composite, 1.440mm	DL650 DN590 ▲ [54]	GL650 [54]	HBS083 M11x1.50x168.00mm (x10)	JC750 JC415 (x4) LT634	JN547	HR569	NF817 36.00x50.00x7.00mm FPM
15							
BL650 [54] With gaskets/seals	[54] Avec joints	[54] Con guarnizioni	[54] Con juntas				

1 № секции

2 Диаметр цилиндра

3 Информация о двигателе

4 Информация о модели

5 ТесДос / FM номер двигателя

6 Соответствующий номер информационной секции для нижней части двигателя

7 **ПРОКЛАДКА ГОЛОВКИ БЛОКА ЦИЛИНДРОВ**

= Левый

= Правый

= Выступ поршня

0,50 мм = толщина

1 отверстие = идентификационная метка

8 **КОМПЛЕКТ ГОЛОВКИ БЛОКА ЦИЛИНДРОВ**

▲ = Без прокладки головки блока цилиндров

■ = Без сальников

= Без прокладки крышки клапанного механизма

● = Без сальников клапанов

9 **ПОЛНЫЙ КОМПЛЕКТ**

▲ = Без прокладки головки блока цилиндров

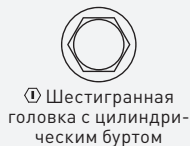
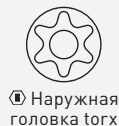
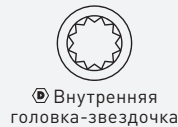
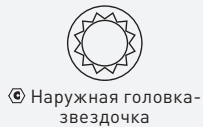
■ = Без сальников

= Без прокладки крышки клапанного механизма

● = Без сальников клапанов

10 **КОМПЛЕКТ БОЛТОВ ГОЛОВКИ БЛОКА ЦИЛИНДРОВ**

Форма болта головки



*Ribe-CV® является зарегистрированной торговой маркой Richard Bergner GmbH & Co.

11 **ПРОКЛАДКА КОЛЛЕКТОРА**

Левый =

Правый =

Комплект =

Впуск =

Выпуск =

Верхний =

Нижний =

12 **ПРОКЛАДКА КРЫШКИ КЛАПАННОГО МЕХАНИЗМА**

Левый =

Правый =

Впуск =

Выпуск =

Комплект =

13 **САЛЬНИКИ КЛАПАНОВ**

Комплект =

Впуск =

Выпуск =

14 **САЛЬНИКИ РАСПРЕДЕЛИТЕЛЬНОГО ВАЛА**

Передний =

Задний =

15 См. раздел примечаний

КАК ПОЛЬЗОВАТЬСЯ КАТАЛОГОМ

RU



CITROEN/PEUGEOT			
1 848	2 75.00	Petrol	
TU3M/Z (KDX) 3	4 Cyl.	9.3:1	1360cc 55kW (75PS) 5 TD5080 6 79
AX 4	04/87→04/97	ZX	03/91→10/97
7 87-154400-00 STD A 40.50 B- 1.10 BØ 62.00 D 64.50 20x62	8 08-154400-00 STD 08-154407-00 0.50mm 1.75 CR P 2.00 P 3.00 P	9 10 14-636600-00 WH B 79.50 C 134.50 D 89.20 E 90.00 	12 88-154400-00 87-154400-00 + 14-636600-00

- 1** № секции
- 2** Диаметр цилиндра
- 3** Информация о двигателе
- 4** Информация о модели
- 5** TecDoc / FM номер двигателя
- 6** Соответствующий номер информационной секции для верхней части двигателя
- 7** Артикул и спецификация поршня
 - A = высота сжатия
 - B = глубина выемки / высота головки
 - BØ = диаметр выемки
 - C = глубина выемки под клапан
 - D = длина
 - RT = с усилителем канавки верхнего поршневого кольца Alfin
 - KK = с каналом масляного охлаждения
 - AK = с пазом/фаской для масляной форсунки
 - HA = головка с твердым анодированным покрытием
 - NB = с бронзовой втулкой поршневого пальца
 - TP = трапециевидный шатун
- 8** Информация о комплекте колец
 - Ширина кольца
 - Конструкция кольца
 - Обработка поверхности кольца
- 9** Информация о гильзе
 - B = внешний диаметр
 - C = общая длина
 - D = диаметр фланца
 - E = ширина фланца
 - F = высота огнезащитного уплотнения
- 10** Тип гильзы
 - D = "сухая"
 - WH = "мокрая" с хонинговкой
 - DH = "сухая" с хонинговкой
- 11** Изображение поршня и номер отливки (если есть)
- 12** Артикул комплекта

КАК ПОЛЬЗОВАТЬСЯ КАТАЛОГОМ



RU

994	85.00	Diesel								
DW12BTED4 (4HT) Euro 4	4 Cyl.	16.6:1	2179cc	125kW (170)PS	TD20028	245				
DW12BTED4 (4HT) Euro 4	4 Cyl.	16.6:1	2179cc	125kW (170)PS	TD20812	245				
407	05/06 →	607	05/06 →	807	06/06 →					
C5	04/06 →	C6	06/06 →	C8	06/06 →					
BE/PL	4	49.984/50.000	53.695/53.708	20.000	1.838	0.020/0.070	SP	71-3952	71-3952/4	[1]

- 13** Тип подшипника скольжения и его положение
BE/PL = Шатунный вкладыш (большая головка шатуна)
MB/HL = Коренной вкладыш
TW/A = Упорная шайба
SE/PB = Втулка поршневого пальца (малая головка шатуна)
CB/NWB = Втулка распределительного вала
BU = Другие втулки
- 14** Состав комплекта
- 15** Диаметр шейки вала (стандартный): приведены размеры минимального и максимального диаметра шейки вала
- 16** Диаметр постели подшипника: приведены размеры минимального и максимального диаметра постели подшипника
- 17** Максимальная ширина подшипника
- 18** Максимальное значение стандартной толщины стенки
- 19** Масляный зазор
- 20** Коды материала подшипников скольжения
AL = Алюминий на стальной подложке.....Би-/триметаллический

- B = Латунь
- BB = Баббит на стальной подложке..... Биметаллический
- BC = Литая бронза на стальной подложке – без покрытия..... Биметаллический
- BS = Спеченная бронза на стальной подложке – без покрытия..... Би-/триметаллический
- EC = Бронза на стальной подложке - покрытие методом электроосаждения..... Триметаллический
- SP = Бронза на стальной подложке со спаттерным напылением..... Триметаллический
- IX = Алюминий на стальной подложке – с полимерным покрытием
- LF= Не содержит свинец
- 21** Номер детали
- 22** Номер комплекта Glyco и доступные ремонтные размеры
H = Коренной вкладыш
N = Втулка распределительного вала
A = Упорная шайба
.../4 = Количество пар (подшипников скольжения) или штук (шайб/втулок) в комплекте
...N = Упорный (фланцевый) подшипник скольжения
- 23** См. раздел примечаний



795	72.00	Petrol	
EH951 [21][23] EH952 [22]	JJ586 ⇒PB852 16.00x24.00x1.500mm ⇒PA349 22.00x16.00x2.000mm JJ586	NF870 42.00x66.00x6.00mm, FPM/ACM NF857 85.00x105.00x9.00mm, FPM/ACM NF850 85.00x105.00x8.00mm, FPM	
28			
[21] Supplementary Article/Supplementary Info 2: With cylinder sleeve ring	[21] Article complémentaire / Info complémentaire 2: avec deux bagues de chemises de cylindre	[21] Artículo complementario / Información complementaria 2: con segmentos para camisa	[21] Articolo complementare/Info integrativa 2: Con anello tenuta canna cilindro
[22] Supplementary Article/Supplementary Info:	[22] Article complémentaire /	[22] Artículo complementario/Información	[22] Articolo complementare/Info

- 24** **КОМПЛЕКТ БЛОКА ЦИЛИНДРОВ**
▲ Без прокладки головки блока цилиндров
■ Без сальников
☒ Без прокладки крышки клапанного механизма
● Без сальников клапанов
- 25** **ПРОКЛАДКА ПОДДОНА КАРТЕРА**
Комплект =
- 27** **САЛЬНИК КОЛЕНВАЛА**
Передние =
Задние =
- 28** [] = Техническое
- 26** ⇒ **ПРОБКА ДЛЯ СЛИВА МАСЛА**

كيفية استخدام هذا الكتالوج

AR



CITROEN/PEUGEOT					
67	75.00	Petrol			
TU3A (KFV)	4 Cyl.	9.3:1	1360cc	54kW (73)PS	TD21111
TU3A (KFV)	4 Cyl.	9.3:1	1360cc	54kW (73)PS	TD23774
206	07/02 →	206+	01/09 →	207	02/06 →
207 SW	06/07 →	BIPPER	02/08 →	BIPPER Tepee	04/08 →
C3	02/02 →	NEMO	02/08 →	PARTNER	11/02 → 10/06
TB711 104x17	TBK312 Component No:TB711;AE1168TP	CAM731 [72]	FOL160 (x8)		
[72] Euro 3 (D3)	[72] Euro 3 (D3)	[72] Euro 3 (D3)	[72] Euro 3 (D3)		
V91271	0948.58	30°	H	VAG92401	47.50 x 7.01 x 13.06
37.00 x 7.00 x 112.50	0949.59	45°		VAG96132	47.60 x 7.03 x 13.11
V91273					
29.50 x 7.00 x 112.50					

- 18 تغطية ساق الصمام
- تصميم الإسفين
- 20 زاوية المقعد
- 21 معالجة المقعد
- 22 معالجة الرأس
- 23 مرجع موجه الصمام
- 24 شكل موجه الصمام
- 25 أبعاد موجه الصمام
- 26 انظر قسم الهوامش

- 10 مراجع طاقم الكامات
- 11 مراجع ذراع مترجحة
- (حجم المحرك المطلوب في الدعامة)
- مراجعة مخدة الصمام والغمازة
- (حجم المحرك المطلوب في الدعامة)
- مراجع الصمام
- 14 وضع التثبيت
- 15 أبعاد الصمام
- مرجع صمام المعدات الأصلية
- كود المادة

- 1 رقم اللوحة
- 2 حجم التجوي
- 3 تفاصيل المحم
- 4 تفاصيل الطر
- 5 مستند المواصفات / رقم محرك FM
- رقم لوحة المحرقة السفلية المطاب
- 7 مراجع حزام التوقي
- عدد الأسنان × عرض الحزام
- 8 مراجع طاقم حزام التوقي
- 9 مراجع عمود الكامات

كود الخاصية الوصف	مناسب من أجل	الساق	الرأس	كود المواد نوع
cr طبقة الكروم في ساق الصمام	صمامات سحب الديزل والبنزول وسيقان صمامات العادم ثنائية المعدن	غير مطبق	سبيكة فولاذية من الكروم مارتينستي	MB المعدن الأحادي
tu صمامات التبريد / الطف البركاني	صمامات العادم التي تعمل عند درجة حرارة 750 درجة مئوية	غير مطبق	صمامات سحب الديزل والبنزول وسيقان صمامات العادم ثنائية المعدن	MD المعدن الأحادي
ss مقعد ملحوم بالإستيليت	صمامات عوادم الخدمة الشاقة التي تعمل عند درجة حرارة 780 درجة مئوية	MB	سبيكة فولاذية من الكروم والنيكل والمنجنيز الأوستيني مع النيوبيوم والتنجستن والتبروجين المضاف	ME المعدن الثنائي
Y مقعد صمام مقوى	صمامات العوادم، القوة الميكانيكية الجيدة، مقاومة الكلال والتآكل والصدأ، تعمل عند درجة حرارة 820 درجة مئوية	MB	هي سبيكة ممتازة من Nimonic TM سبيكة النيكل مع الكروم والكوبالت والتيتانيوم	MF المعدن الثنائي
st رأس ملحوم بالإستيليت	صمامات العادم التي تعمل عند درجة حرارة 750 درجة مئوية	MB		MG المعدن الثنائي

كيفية استخدام هذا الكتالوج



AR

CITROEN/PEUGEOT

1 159	2 83.00	Petrol					
XU5J (180Z) 3	4 Cyl.	9.8:1	1580cc	76kW (103)PS	5 TD2862	6 916	
XU5J (180Z)	4 Cyl.	9.8:1	1580cc	76kW (103)PS	TD597	918	
4 205	04/86→10/90	309	11/85→09/88	BX	03/86→12/94		
7	8	9	10	11	12	13	14
BL650 Fibre Composite, 1.200mm BR510 Fibre Composite, 1.440mm	DL650 DN590 ▲ [54]	GL650 [54]	HBS083 M11x1.50x168.00mm (x10)	JC750 JC415 (x4) LT634	JN547	HR569	NF817 36.00x50.00x7.00mm FPM
15							

- 11** جوان المجمع
 = □ أيسر
 = ▣ أيمن
 = S مجموعة
 = □ السحب
 العادم
 = ▣ العلوي
 = ▣ السفلي
12 حشية غطاء الصمام
 = ▣ أيسر
 = ▣ أيمن
 = I السحب
 = E العادم
 = S مجموعة
13 سدادة ساق الصمام
 = S مجموعة
 = I السحب
 = E العادم
14 سدادات زيت عمود الكامات
 = F الأمامية
 = R الخلفية
15 انظر قسم الجوان

- 10** مجموعة مسمار ذو ر
 شكل مسمار الرأس



*Ribe-CV®

هي علامة تجارية مسجلة لصالح شركة

Richard Bergner GmbH & Co.

- 1** رقم اللوحة
2 حجم التجويف
3 تفاصيل المحرك
4 تفاصيل الطراز
5 F-M مستند المواصفات / رقم محرك
7 رقم لوحة المحركة السفلية المطابقة
 حشية رأس الأسطوانة
 = □ أيسر
 = ▣ أيمن
 = □ بروز الكباس
 سمك = Ⓐ مم
 علامة التعريف 1 = فتحة
8 مجموعة الرأس
 = ▲ بدون حشية رأس الأسطوانة
 = ■ بدون السدادات
 = □ بدون حشية غطاء الصمام
 = ● بدون سدادات ساق الصمام
9 مجموعة كاملة
 = ▲ بدون حشية رأس الأسطوانة
 = ■ بدون السدادات
 = □ بدون حشية غطاء الصمام
 = ● بدون سدادات ساق الصمام

كيفية استخدام هذا الكتالوج

AR



CITROEN/PEUGEOT

1 848	2 75.00	Petrol	
TU3M/Z (KDX) 3	4 Cyl.	9.3:1	1360cc
			55kW (75PS)
AX 4	04/87→04/97	ZX	03/91→10/97
			5 TD5080 6 79
87-154400-00 7	STD	08-154400-00 STD 08-154407-00 0.50mm	14-636600-00 WH B 79.50 C 134.50 D 89.20 E 90.00
A 40.50 B- 1.10 BØ 62.00 D 64.50 20x62			
			88-154400-00 87-154400-00 + 14-636600-00 12

- | | |
|--|--|
| <p>8 مرجع مجموعة الحلقة
عرض الحلقة
تصميم الحلقة
معالجة سطح الحلقة
9 مرجع البطانة
=B القطر الخارجي
=C الطول الكلي
=D قطر الشفة
=E عرض الشفة
=F طول شفة الحماية من النيران
10 نوع البطانة
=D جاف
=WH حجر شحذ رطب
=DH حجر شحذ جاف
11 صورة الكباس ورقم السبيكة إن وجد
12 رقم مجموعى المكابس</p> | <p>1 رقم اللوحة
2 حجم التجوي
3 تفاصيل المح
4 تفاصيل الطر
5 مستند المواصفات / رقم محرك FM
رقم لوحة المحركة السفلية المطاب
7 مراجع حزام التوقي
=A ارتفاع الضغط
=B عمق الغرفة/ارتفاع التاج
=BØ قطر الغرفة
=C عمق جيب الصمام
=D الطول
=RT إدراج ألفين
=KK منصة تبريد الزيت
=AK قطع نفث الزيت
=HA بطانة مؤكسدة قوية على التاج
=NB جلبة بنز برونزي
=TP أبعاد شبه المنحرف</p> |
|--|--|

كيفية استخدام هذا الكتالوج



AR

994		85.00	Diesel			
DW12BTED4 (4HT) Euro 4	4 Cyl.	16.6:1	2179cc	125kW (170)PS	TD20028	245
DW12BTED4 (4HT) Euro 4	4 Cyl.	16.6:1	2179cc	125kW (170)PS	TD20812	245
407	05/06 →	607	05/06 →	807	06/06 →	
C5	04/06 →	C6	06/06 →	C8	06/06 →	
BE/PL	4	49.984/50.000	53.695/53.708	20.000	1.838	0.020/0.070
					SP	71-3952
						71-3952/4
						[1] 23

- رموز مواد المحم 20
- AL = ثنائي/ثلاثي المعدن ألومنيوم مظهر بالصلب
 B = نحاس حاس
 BB = ثنائي المعدن بابت مظهر بالصلب
 BC = ثنائي المعدن برونز مصبوب مظهر بالصلب - غير مطلي
 BS = ثنائي المعدن برونز مصبوب مظهر بالصلب - غير مطلي
 EC = ثنائي/ثلاثي المعدن برونز مظهر بالصلب - مطلي بالكهرباء
 SP = ثنائي المعدن بابت مظهر بالصلب
 IX = ألومنيوم مظهر بالصلب - بوليمر
 LF = خالية من الرصاص
- مرجع المركب 21
 والأحجام الأقل المتوفرة Glyco مرجع مجموعة 22
- H = محمل رئيسي
 N = جلبة عمود الكومات
 A = حلقة دفع
- .../ = عدد الأزواج (المحامل) أو القطع (الحلقات/الجلب) لكل مجموعة
 ...H = محمل (شفة) الدفع
 انظر قسم الهوامش 23

- نوع المحمل وموضعه 13
- BE/PL = محمل (ذو طرف كبير) قضيب التوصيل
 IMB/HL = MB/HL المحمل الرئيسي
 TW/A = حلقة دفع
 SE/PB = جلبة (ذات طرف صغير) مسامير الكباس
 CB/NWB = جلبة عمود الكامات
 BU = الجلب الأخرى
- مجموعة التركيب 14
 الحد الأدنى والأقصى لقطر المرتكز القياسي 15
 الحد الأدنى والأقصى للقطر الداخلي لتجويف الحو 16
 الحد الأقصى لعرض المح 17
 الحد الأقصى لسماك الحائط القيا 18
 خلوص الزيت 19



795		72.00	Petrol			
EH951 [21][23] EH952 [22]	JJ586 =PB852 16.00x24.00x1.500mm =PA349 22.00x16.00x2.000mm JJ586	NF870 42.00x66.00x6.00mm, FPM/ACM NF857 85.00x105.00x9.00mm, FPM/ACM NF850 85.00x105.00x8.00mm, FPM				
[21] Supplementary Article/Supplementary Info 2: With cylinder sleeve ring	[21] Article complémentaire / Info complémentaire 2: avec deux bagues de chemises de cylindre	[21] Artículo complementario / Información complementaria 2: con segmentos para camisa	[21] Articolo complementare/Info integrativa 2: Con anello tenuta canna cilindro			
[22] Supplementary Article/Supplementary Info:	[22] Article complémentaire /	[22] Artículo complementario/Información	[22] Articolo complementare/Info			

- مجموعة التحويل 24
- ▲ = بدون حشية رأس الأسطوانة
 ■ = بدون السدادات
 ☒ = بدون حشية غطاء الصمام
 ○ = بدون سدادات ساق الصمام
- حشية الحوض 25
- S = مجموعة
- 26 = قابس تصريف الزيت
- 27 = مانع تسريب عمود الكرنك
- F = الأمامية
 R = الخلفية
- 28 = [] = المذكرة التقنية

TERMS OF BUSINESS

IMPORTANT

EN

Reproduction of this catalogue or parts thereof is only allowed with our explicit permission in writing. Pictorial representations and design are copyrighted. Claims for damages, of any form whatsoever, resulting from details made in this catalogue or from incorrect use, application, storage or handling, are explicitly excluded. Contractual rights and any resulting or related claims based thereon, irrespective of form, initially come into being on the basis of a separate written agreement, in particular on the basis of our general terms of sale and delivery.

All former statements lose their validity with the publication of this catalogue.

The catalogue is not an operating manual for the use and installation of the engine and sealing parts. It does not contain any advice in a legal sense. The catalogue neither replaces the constantly applicable technical regulations - particularly for tolerances - nor the installation and maintenance stipulations of the individual engine manufacturer.

Also, it is not possible to forego the expertise of those carrying out the installation and application. The individual references made in this catalogue for the installation and the application of the engine and sealing parts are instructions solely for the technically qualified specialist and are to be checked and verified by them for their suitability in each case. Federal-Mogul accepts no responsibility for application decisions.

The contents of the catalogue are not intended to create or substitute any contractual agreement which has to be reserved exclusively to a separate agreement between 2 identified parties, whereby seller can be only one of our Federal-Mogul entities as mentioned on the back cover page.

The right is retained to correct errors and alterations, particularly with regard to amendments in the engine manufacturers details and stipulations.

GESCHÄFTSBEDINGUNGEN – WICHTIGE HINWEISE

DE

Nachdruck, auch auszugsweise, ist nur mit unserer ausdrücklichen schriftlichen Zustimmung gestattet. Die bildlichen Darstellungen und Ausstattungen sind geschützt. Ersatzansprüche, gleich welcher Art, aufgrund der Angaben in diesem Katalog oder auf Grund unsachgemäßem Umgang, unsachgemäßer Verwendung, Lagerung oder Handhabung der angebotenen Produkte, sind ausdrücklich ausgeschlossen. Vertragliche Ansprüche und daraus abgeleitete oder darauf beruhende Ansprüche, gleich welcher Art, kommen erst auf Grund einer besonderen schriftlichen Vereinbarung, insbesondere auf der Grundlage unserer allgemeinen Verkaufs- und Lieferbedingungen, zustande.

Der Katalog ist keine Einbauanleitung für Motorenteile und Dichtungen.

Er enthält keine Beratung im Rechtssinne. Der Katalog ersetzt weder die immer vorrangigen technischen Vorschriften, insbesondere für Toleranzen, sowie die Einbau- und Wartungsvorschriften des jeweiligen Motorenherstellers, noch kann auf das notwendige Fachwissen des die Montage und die Verwendung Durchführenden verzichtet werden. Die in diesem Katalog jeweils gegebenen Hinweise für Einbau und Verwendung der Motorenteile und Dichtungen sind Hinweise ausschließlich für den technisch ausgebildeten und versierten Fachmann, die von ihm im jeweiligen Anwendungsfall auf ihre Eignung geprüft und entschieden werden müssen. Eine Haftung wird von Federal-Mogul für Anwendungsentscheidungen nicht übernommen.

Die Inhalte dieses Katalogs sind nicht dazu bestimmt eine vertragliche Verpflichtung zu begründen oder zu ersetzen, was ausschliesslich einer gesonderten Vereinbarung zwischen 2 konkret bezeichneten Parteien vorbehalten bleibt, wobei der Verkäufer eine unserer Federal-Mogul Gesellschaften sein wird, wie auf der Rückseite des Kataloges.

Die Korrektur von Irrtümern und Änderungen, in besondere auf Grund von geänderten Angaben und Vorschriften der Motorenhersteller, bleibt vorbehalten.

CONDIZIONI GENERALI – IMPORTANTE

IT

La riproduzione di questo catalogo, anche parziale, è permessa soltanto in seguito ad una autorizzazione scritta. I grafici ed i disegni sono marchio depositato. Reclami per difetti, di qualsiasi natura essi siano, relativi al contenuto di questo catalogo, o all'uso improprio di esso, verranno respinti. Le pretese avanzate od i reclami dovranno essere in conformità con le nostre condizioni generali di vendita.

Il presente catalogo annulla e sostituisce tutte le edizioni precedenti.

Il catalogo non è un manuale per l'utilizzo ed il montaggio delle ricambi motore e tenute. Non contiene indicazioni in questo senso. Esso non sostituisce le descrizioni tecniche, sempre prioritarie, in particolare per le tolleranze, né le istruzioni relative al montaggio ed alla manutenzione date dai costruttori dei rispettivi motori. Non può in nessun caso essere paragonato alla conoscenza professionale necessaria per il montaggio e l'utilizzo. Le considerazioni sul montaggio delle ricambi motore e tenute, fatte su questo catalogo, sono destinate esclusivamente a professionisti con formazione tecnica i quali verificheranno l'esattezza della informazioni, in ogni caso.

Le responsabilità derivanti dall'utilizzo improprio dello stesso non potranno essere addebitate alla Federal-Mogul.

I contenuti del catalogo non sostituiscono in alcun modo gli accordi contrattuali che sono riservati esclusivamente a due contraenti definiti; come venditore si intende una delle società Federal Mogul menzionate sul retro del catalogo.

Ci riserviamo di apportare correzioni e modifiche, relative, in particolare, a dati o istruzioni ricevute dal costruttore del motore.

CONDITIONS GÉNÉRALES DE VENTE – IMPORTANT

FR

La reproduction de ce catalogue, même partielle, n'est autorisée qu'avec notre accord préalable et par écrit. Les illustrations graphiques et la présentation font l'objet d'un copyright. Nous excluons toutes réclamations ayant pour objet ce catalogue ou pouvant résulter de son incompréhension, portant sur de mauvaises utilisations, manipulations, manutentions ou mauvais stockage. Des droits contractuels et des droits dérivés, de quelque nature qu'ils soient, ne peuvent résulter que d'un accord écrit, particulièrement sur la base de nos conditions générales de ventes et de livraisons.

Ce catalogue annule et remplace toute édition antérieure.

Le catalogue n'est pas une notice d'utilisation et de montage des pièces moteur et joints. Il ne contient pas de directives en tant que telles. Le catalogue ne remplace ni les prescriptions techniques, toujours prioritaires, particulièrement pour les tolérances, ni les prescriptions de montage et d'entretien des constructeurs des moteurs figurant dans ce catalogue. Il ne peut en aucun cas remplacer les connaissances professionnelles nécessaires pour le montage et l'utilisation. Les remarques données pour le montage et l'utilisation des pièces moteur et joints sont exclusivement destinées au professionnel averti et de formation technique, à qui il appartiendra de vérifier la conformité des indications pour chaque cas. La responsabilité des décisions d'utilisation ne peut être prise en charge par Federal-Mogul.

Le contenu de ce catalogue ne peut constituer ou remplacer un contrat qui doit faire l'objet d'un document séparé établi entre 2 parties, dont l'une doit être une entité légale de Federal-Mogul dont la liste figure sur la couverture arrière.

Nous nous réservons le droit d'apporter toutes corrections d'erreurs et modifications, suite notamment à de nouvelles données fournies par les constructeurs.

TERMS OF BUSINESS

CONDICIONES DE VENTA – IMPORTANTE

ES

Queda totalmente prohibida la reproducción, total o parcial, del contenido de este catálogo, salvo previa autorización nuestra, realizada por escrito. Están, asimismo, reservados todos los derechos sobre el diseño y presentación del catálogo. No se aceptará ningún tipo de reclamación que esté basada en la interpretación de los datos contenidos en este catálogo, así como en el incorrecto uso, manipulación o almacenaje de nuestras piezas. Únicamente se aceptarán reclamaciones que estén basadas en derechos contractuales o en los motivos arriba indicados, siempre que exista un acuerdo especial y por escrito basado en nuestras condiciones generales de venta y suministro.

Con la edición de este catálogo queda anulada toda la información contenida en catálogos anteriores.

El catálogo no es un manual para el uso e instalación de los piezas de motor y sellado, y no representa una asesoría técnica, en el sentido legal. Los datos del catálogo no sustituyen, en ningún caso, a las especificaciones técnicas, tanto en lo que se refiere a tolerancias como a las instrucciones de instalación y mantenimiento, indicadas por los fabricantes de los motores, especificaciones que serán siempre prioritarias. Se entiende que el uso y montaje de estas piezas está encomendado a personal debidamente cualificado. Las indicaciones sobre uso y montaje de los piezas de motor y sellado contenidas en este catálogo, están exclusivamente dirigidas a profesionales con la debida capacitación y formación técnica, que deben decidir en cada caso sobre la exactitud de las mismas. La responsabilidad de estas decisiones no puede ser, en ningún caso, achacada a Federal-Mogul.

La información facilitada en el catálogo no representa o sustituye ningún tipo de acuerdo, quedando a tal efecto, el acuerdo por separado entre dos partes donde sólo entidades de Federal-Mogul, pueden ser identificadas como la parte vendedora como se menciona en la contraportada.

Los datos e instrucciones contenidos en este catálogo podrán ser corregidos o modificados sin previo aviso.

WARUNKI PROWADZENIA BIZNESU – WAŻNE

PO

Reprodukcja tego katalogu lub jego części jest możliwa tylko za wyraźną zgodą na piśmie. Ilustracje i grafika są chronione prawem autorskim. Roszczenia dotyczące szkód, niezależnie od formy, wynikających z przedstawionych w tym katalogu treści lub z nieprawidłowego użycia, zastosowania, przechowywania lub obsługi są w sposób wyraźny wyłączone. Prawa umowne i inne wynikające lub związane z roszczeniami na nimi opartymi, niezależnie od formy, są tworzone na podstawie oddzielnej umowy pisemnej, w szczególności na podstawie naszych ogólnych warunków sprzedaży i dostawy. Wszystkie wcześniejsze oświadczenia tracą ważność wraz z opublikowaniem tego katalogu.

Katalog nie jest instrukcją użytkownika i montażu części silnikowych i uszczelnień. Nie zawiera porad w sensie prawnym. Katalog nie zastępuje obowiązujących uregulowań technicznych – zwłaszcza w zakresie tolerancji – ani opisów montażu i konserwacji poszczególnych producentów silników. Nie jest również możliwe pominięcie doświadczenia osob dokonujących doboru i przeprowadzających montaż części. Poszczególne odniesienia zawarte w tym katalogu, a dotyczące doboru, montażu i stosowania części silnikowych i uszczelnień, są instrukcjami wyłączone dla wykwalifikowanego technicznie specjalisty, który w każdym przypadku musi je sprawdzić i zweryfikować ich przydatność. Federal-Mogul nie przyjmuje odpowiedzialności za decyzje dotyczące zastosowania.

Zawartość tego katalogu nie stanowi ani nie zastępuje umowy, która może być zawarta jedynie jako oddzielny dokument podpisany przez dwie strony, przy czym sprzedawcą może być tylko jedna z jednostek koncernu Federal-Mogul, zgodnie z opisem na wewnętrznej stronie tylnej okładki.

Zachowane zostaje prawo korygowania błędów i wprowadzania zmian, zwłaszcza odnośnie zmian dotyczących parametrów i warunków pracy określonych przez producentów silników.

УСЛОВИЯ ДЕЛОВОГО СОТРУДНИЧЕСТВА – ВАЖНО

RU

Копирование данного каталога или его частей допускается исключительно при получении нашего разрешения в письменной форме. Иллюстрации и дизайн защищены авторским правом. Требования о возмещении ущерба любой формы, исходя из содержания каталога или из-за неправильного использования, хранения или обращения, абсолютно исключены. Договорные права и любые результаты или связанные с этим требования, независимо от их формы, должны являться частью отдельного письменного соглашения и основываться на наших общих условиях продаж и поставок.

Все прежние утверждения теряют свою юридическую силу с момента публикации данного каталога.

Каталог не является руководством пользователя и инструкцией по установке деталей двигателя и уплотнения. Он не содержит советов в юридическом понимании этого слова. Каталог не является заменой для издаваемых производителями двигателей технических инструкций по ремонту, в особенности для допусков технических величин, а также инструкций по монтажу и регламентному обслуживанию. Отдельные ссылки для установки и замены деталей двигателя и уплотнения, приведенные в этом каталоге, являются инструкциями исключительно для технически компетентного специалиста и в каждом случае должны быть проверены им на предмет их пригодности. Federal-Mogul не несет ответственность за ремонтные работы.

Содержимое каталога не предназначено для создания или замены любого контрактного соглашения, которое может быть оформлено только в виде отдельного соглашения между двумя установленными сторонами, где продавцом может являться только одно из юридических лиц Federal-Mogul, как упомянуто на внутренней стороне обложки каталога. Federal-Mogul оставляет за собой право вносить исправления и изменения в частности в отношении поправок по деталям изготовителей двигателей и их условиям.

AR

هام

يظهر نسخ أي جزء من هذا الكatalog دون موافقة صريحة كتابية منا. جميع حقوق التصوير والتصميم محفوظة. إن المطالبات بالتعويض عن أي تلفيات من أي نوع مهما كانت، والتي تنتج عن التفاصيل المقدمة بهذا الكatalog أو عن الاستخدام غير الصحيح، أو التطبيق غير السليم أو التخزين أو التعامل مستبعدة هنا بوضوح. تأتي حقوق التعاقد أو أي متطلبات ناتجة أو ذات صلة بالاعتماد على ذلك - بغض النظر عن النموذج - أولاً كي تكون على أساس اتفاق مكتوب منفصل، وعلى وجه الخصوص، على أساس الشروط العامة للبيع والتوصيل

تصبح جميع البيانات السابقة لاغية في حالة نشر هذا الكatalog

ولا يعد هذا الكatalog دليل تشغيل لاستخدام وتركيب المحرك وقطع غيار الحشية، ولا ينطوي على أي نصيحة ذات معنى قانوني. كما أن هذا الكatalog لا يحل محل التنظيمات الفنية سارية المفعول بصفة دائمة - وبصفة خاصة قدرات التحمل - ولا اشتراطات التركيب والصيانة المحددة من قبل جهة تصنيع المحرك







كما أنه ليس ممكناً الامتناع عن تقديم الخبرة للقاءمين بعملية التركيب والتطبيق، إن الإشارات الفردية المقدمة في هذا الكatalog بشأن التركيب والتطبيق المحرك وقطع غيار الحشية وهي إرشادات فقط للمتخصصين المؤهلين فنياً وينبغي أي مسؤولية تتعلق بمسائل الاستعمال Federal-Mogul عليه مراجعتها والتحقق منها لمناسبتها لكل حالة. لا تتحمل شركة







كما هو مدون على صفحة الغلاف Federal-Mogul لا تستهدف محتويات الكatalog إبرام أي اتفاق تعاقدي يجب الاحتفاظ به أو تبديله باستثناء الاتفاق المنفصل بين الطرفين المحددين، وبناءً عليه لا يكون البائع إلا أحد كيانات شركة الخلفية







الحقوق محفوظة لتصحيح الأخطاء وعمليات التغيير، خاصة فيما يتعلق بالتعديلات الطارئة على تفاصيل واشتراطات جهات تصنيع المحركات







© Federal-Mogul Corporation 2013







The contents of this publication are the copyright of Federal-Mogul Corporation. Unauthorised reproduction in whole or in part is expressly forbidden.







		ccm	X 				9
108 (XV3)	70.00	954	4	Petrol	3	776	
108 (XV5)	70.00	954	4	Petrol	4	776	
108C	70.00	954	4	Petrol	5	777	
108C (XV8)	70.00	954	4	Petrol	6	778	
109 (XW3)	72.00	1124	4	Petrol	13	786	
109/5	72.00	1124	4	Petrol	14	787	
109/5E	72.00	1124	4	Petrol	15	788	
109/5F	72.00	1124	4	Petrol	15	789	
109F (XW7)	72.00	1124	4	Petrol	16	790	
109K	72.00	1124	4	Petrol	15	790	
109N (XW7)	72.00	1124	4	Petrol	17	791	
112	88.00	2664	V6	Petrol	707	1430	
112 (ZM)	88.00	2664	V6	Petrol	300	1049	
121 (XW3S)	72.00	1124	4	Petrol	18	792	
129	75.00	1218	4	Petrol	387	1147	
129 (XZ5)	75.00	1219	4	Petrol	43	816	
129/5	75.00	1219	4	Petrol	43	817	
140	88.00	2664	V6	Petrol	708	1431	
140 (ZMJ)	88.00	2664	V6	Petrol	301	1049	
144	88.00	2664	V6	Petrol	709	1431	
144.01	88.00	2664	V6	Petrol		1432	
150	75.00	1360	4	Petrol	388	1148	
150 (XY6B)	75.00	1360	4	Petrol	47	821	
150A	75.00	1360	4	Petrol	48	822	
150B (XY8)	75.00	1360	4	Petrol	49	823	
150C	75.00	1360	4	Petrol	50	824	
150D	75.00	1360	4	Petrol	51	825	
150D (XY7)	75.00	1360	4	Petrol	52	825	
150D (XY7)	75.00	1360	4	Petrol	53	825	
150F	75.00	1360	4	Petrol	54	822	
150G (XY7)	75.00	1360	4	Petrol	55	825	
150H (XY8)	75.00	1360	4	Petrol	56	826	
154A (ZMJK)	91.00	2849	6	Petrol	308	1060	
154X (ZN3J)	91.00	2849	V6	Petrol	309	1061	
1580 SPI	86.40	1581	4	Petrol	279	1024	
159A	83.00	1905	4	Petrol	178	931	
159B	83.00	1905	4	Petrol		932	
171A	83.00	1580	4	Petrol	152	907	
171B	83.00	1580	4	Petrol	152	907	
171C	83.00	1580	4	Petrol	153	908	
171D	83.00	1580	4	Petrol	154	909	
176B (N9TE)	91.70	2155	4	Petrol	310	1062	
176W (N9TEA)	91.70	2155	4	Petrol	310	1062	
176X (N9TE)	91.70	2155	4	Petrol	310	1062	
199 A9.000	69.60	1248	4	Diesel		774	
1KR-FE (CFA) (384F)	71.00	998	3	Petrol	11	783	
1KR-FE (CFA) (384F)	71.00	998	3	Petrol	12	784	
1KR-FE (CFA) (384F)	71.00	998	3	Petrol	12	785	
220 A2.000	86.40	1581	4	Petrol	278	1023	
222A2 (1580 SPI)	83.00	1580	4	Petrol	277	910	
4B11	86.00	1998	4	Petrol		1004	
670.800	58.00	845	4	Petrol		1102	
680 701	54.50	746	4	Petrol		1100	
680.702	54.50	746	4	Petrol		1100	
688 02	70.00	1108	4	Petrol	370	1125	
688 13	70.00	1108	4	Petrol		1126	
688 711	70.00	1108	4	Petrol	371	1124	
688 712	70.00	1108	4	Petrol	371	1124	
688 713	70.00	1108	4	Petrol	372	1124	
688.01	70.00	1108	4	Petrol	369	1122	
688.03	70.00	1108	4	Petrol		1123	
688.10	70.00	1108	4	Petrol	370	1124	
688.11	70.00	1108	4	Petrol		1123	
688-09	70.00	1108	4	Petrol	369		
689 71	65.00	956	4	Petrol	352	1108	
689 710	65.00	956	4	Petrol	353	1109	
689.01	65.00	956	4	Petrol	351	1107	
800	58.00	845	4	Petrol	348	1103	
800 01	58.00	845	4	Petrol	348	1103	
800 05	58.00	845	4	Petrol		1103	
800 705	58.00	845	4	Petrol	348	1103	
800 710	58.00	845	4	Petrol	349	1104	
800.02	58.00	845	4	Petrol		1103	
807	77.00	1565	4	Petrol	450	1206	
807 727	77.00	1565	4	Petrol	452	1211	
807.03	77.00	1565	4	Petrol		1207	
807.04	77.00	1565	4	Petrol		1208	
807.05	77.00	1565	4	Petrol		1208	







		ccm				
807.10	77.00	1565	4	Petrol		1209
807.20	77.00	1565	4	Petrol		1208
810 719	73.00	1289	4	Petrol	384	1143
810 725	73.00	1289	4	Petrol	384	1143
810 726	73.00	1289	4	Petrol	384	1143
810 729	73.00	1289	4	Petrol	384	1143
810.01	73.00	1289	4	Petrol	379	1137
810.02	73.00	1289	4	Petrol	380	1138
810.03	73.00	1289	4	Petrol	381	1139
810.05	73.00	1289	4	Petrol	381	1140
810.06	73.00	1289	4	Petrol	380	1140
810.10	73.00	1289	4	Petrol		1141
810.25	73.00	1289	4	Petrol		1141
810.26	73.00	1289	4	Petrol		1141
810.96	73.00	1289	4	Petrol		1142
810.97	73.00	1289	4	Petrol		1142
810-02/97	73.00	1289	4	Petrol	382	1140
810-02/-99	73.00	1289	4	Petrol	383	1140
813.02	61.40	852	4	Petrol		1105
8140.07.2530 ID	93.00	2500	4	Diesel	727	1447
8140.07.2585 Euro 1	93.00	2500	4	Diesel	728	1448
8140.07.2700	93.00	2500	4	Diesel	729	1449
8140.07.3700 Euro 1	93.00	2500	4	Diesel	729	1450
8140.21.235 IDS	93.00	2445	4	Diesel	718	1441
8140.23 (F28DTSE)	94.40	2498	4	Diesel		1097
8140.23.2565 Sofim	94.40	2800	4	Diesel	759	1485
8140.23.2585 Euro 2 Sofim	94.40	2800	4	Diesel	760	1486
8140.27.2500	93.00	2500	4	Diesel	730	1451
8140.27.2510 Sofim	93.00	2500	4	Diesel	730	1452
8140.27.2512	93.00	2500	4	Diesel	731	1453
8140.27.2530 IDS	93.00	2500	4	Diesel	732	1454
8140.27.2560	93.00	2500	4	Diesel	731	1455
8140.27.2565 IDS Sofim	93.00	2500	4	Diesel	731	1456
8140.27.2580 Sofim	93.00	2500	4	Diesel	733	1457
8140.27.2582	93.00	2500	4	Diesel	731	1458
8140.27.2585	93.00	2500	4	Diesel	734	1459
8140.27.2700	93.00	2500	4	Diesel	729	1460
8140.43 (F28DT)	94.40	2498	4	Diesel	342	1097
8140.43.2585 Euro 2 Sofim	94.40	2800	4	Diesel	761	1486
8140.43.3700 Euro 2	94.40	2800	4	Diesel	757	1487
8140.43.B.3586 Euro 3	94.40	2800	4	Diesel	762	1488
8140.43.B.3588 Euro 3	94.40	2800	4	Diesel	762	1488
8140.43.C.2586	94.40	2800	4	Diesel	763	1489
8140.43.S.2585 Euro 2	94.40	2800	4	Diesel	764	1488
8140.43.S.3585 Euro 3	94.40	2800	4	Diesel	765	1490
8140.43N	94.40	2498	4	Diesel	343	1098
8140.43N	94.40	2498	4	Diesel	344	1098
8140.43N.3585 Euro 3	94.40	2800	4	Diesel	758	1491
8140.43S (F28DTCR) Euro 3	94.40	2798	4	Diesel	345	1098
8140.43S Euro 3	94.40	2798	4	Diesel	345	1098
8140.47.2530 IDR Sofim	93.00	2500	4	Diesel	735	1461
8140.47.2535	93.00	2500	4	Diesel	731	1455
8140.47.2580	93.00	2500	4	Diesel	731	1453
8140.47.2585 Euro 1	93.00	2500	4	Diesel	736	1462
8140.47.2590 Euro 1	93.00	2500	4	Diesel	725	1463
8140.47.2700 Euro 1	93.00	2500	4	Diesel	737	1455
8140.47.2721 Euro 1	93.00	2500	4	Diesel	737	1455
8140.47.2785 Euro 1	93.00	2500	4	Diesel	737	1455
8140.61.2300	93.00	2445	4	Diesel	719	1442
8140.61.235	93.00	2445	4	Diesel	720	1443
8140.61.240 Sofim	93.00	2445	4	Diesel	719	1444
8140.63 (F28D)	94.40	2798	4	Diesel	346	1099
8140.63.2585 Euro 2	94.40	2800	4	Diesel	766	1492
8140.67.2500	93.00	2500	4	Diesel	738	1464
8140.67.2510	93.00	2500	4	Diesel	739	1465
8140.67.2550	93.00	2500	4	Diesel	738	1464
8140.67.2580 Euro 2	93.00	2500	4	Diesel	738	1466
8140.67.2585 Euro 2	93.00	2500	4	Diesel	740	1467
8140-07 Sofim	93.00	2500	4	Diesel	741	1468
8140-27 IDS	93.00	2500	4	Diesel	741	1469
8140-27 Sofim	93.00	2500	4	Diesel	735	1470
8140-43 k Euro 3	94.40	2800	4	Diesel	767	1493
8140-47	93.00	2500	4	Diesel	726	1471
821	77.00	1565	4	Petrol	451	1210
821.03	77.00	1565	4	Petrol		1208
821.04	77.00	1565	4	Petrol		1208
821.10	77.00	1565	4	Petrol		1209
821.11	77.00	1565	4	Petrol		1209







		ccm					9
821.20	77.00	1565	4	Petrol			1208
829 (ZEJ)	88.00	1995	4	Petrol	295		1044
829 700	88.00	1995	4	Petrol			1393
829 701	88.00	1995	4	Petrol	669		1393
829 702	88.00	1995	4	Petrol	670		1394
829 703	88.00	1995	4	Petrol	670		1394
829 710	88.00	1995	4	Petrol	671		1394
829 720	88.00	1995	4	Petrol	672		1394
829 721	88.00	1995	4	Petrol	672		1394
829 730	88.00	1995	4	Petrol	673		1395
829 731	88.00	1995	4	Petrol	673		1396
829 A5	88.00	1995	4	Petrol	296		1045
829.01	88.00	1995	4	Petrol			1392
839 701	55.80	782	4	Petrol			1101
839 706	55.80	782	4	Petrol			1101
839 707	55.80	782	4	Petrol			1101
839.06	55.80	782	4	Petrol			1101
839.07	55.80	782	4	Petrol			1101
840 725	76.00	1397	4	Petrol	410		1167
840 726	76.00	1397	4	Petrol	410		1168
840 730	76.00	1397	4	Petrol	410		1169
841 705	79.00	1647	4	Petrol			1222
841 717	79.00	1647	4	Petrol			1223
841 725	79.00	1647	4	Petrol			1223
841 726	79.00	1647	4	Petrol			1223
843	79.00	1647	4	Petrol	455		1218
843 718	79.00	1647	4	Petrol			1221
843 720	79.00	1647	4	Petrol			1222
843 721	79.00	1647	4	Petrol			1222
843 723	79.00	1647	4	Petrol			1222
843 724	79.00	1647	4	Petrol			1222
843.01	79.00	1647	4	Petrol			1219
843.05	79.00	1647	4	Petrol			1219
843.20	79.00	1647	4	Petrol			1220
843.21	79.00	1647	4	Petrol			1221
843.719	79.00	1647	4	Petrol			1221
844.12	78.00	1605	4	Petrol			1217
847 700	76.00	1397	4	Petrol	411		1170
847 701	76.00	1397	4	Petrol	411		1170
847 712	76.00	1397	4	Petrol	409		1167
847 720	76.00	1397	4	Petrol	412		1171
847 722	76.00	1397	4	Petrol	411		1172
847 725	76.00	1397	4	Petrol	413		1172
847.99	76.00	1397	4	Petrol	409		1166
851 (ZDJ)	88.00	2165	4	Petrol	297		1046
851 700	88.00	2165	4	Petrol	698		1414
851B (ZDJL)	88.00	2165	4	Petrol	298		1047
851X (ZDJL)	88.00	2165	4	Petrol	298		1047
852	86.00	2068	4	Diesel	634		1361
852 710	86.00	2068	4	Diesel	636		1363
852 720	86.00	2068	4	Diesel	636		1361
852 750	86.00	2068	4	Diesel	636		1361
852 J8S	86.00	2068	4	Diesel	635		1362
A 53	66.00	425	2	Petrol	1		773
A06/635	74.00	602	2	Petrol	36		808
A06/664	74.00	602	2	Petrol	36		809
A1M 705	79.00	1647	4	Petrol			1222
A1M 707	79.00	1647	4	Petrol	456		1218
A1M 708	79.00	1647	4	Petrol			1223
A2M 723	79.00	1647	4	Petrol			1224
A2M 725	79.00	1647	4	Petrol			1221
A2M 726	79.00	1647	4	Petrol			1221
A5L 717	77.00	1565	4	Petrol	453		1209
A5L 718	77.00	1565	4	Petrol	453		1209
A5L 750	77.00	1565	4	Petrol	452		1212
A6M 725	79.00	1647	4	Petrol			1222
A6M 726	79.00	1647	4	Petrol			1222
A79/0 (AYA)	66.00	425	2	Petrol	2		773
A7L 723	77.00	1565	4	Petrol			1213
A7L 752	79.00	1647	4	Petrol	457		1225
B1B 707	58.00	845	4	Petrol	348		1103
B20614	86.00	1985	4	Petrol	250		1002
B22615	90.00	2175	4	Diesel	306		1056
B25637	93.00	2500	4	Diesel	317		1069
B6D	83.00	1580	4	Petrol	155		911
B6E	83.00	1580	4	Petrol	156		912
C1A	70.00	954	4	Petrol	7		779
C1C 700	65.00	956	4	Petrol	350		1110







		ccm	X 			9	
C1C 706	65.00	949	4	Petrol	350		1106
C1C 708	65.00	956	4	Petrol	350		1106
C1C 754	65.00	956	4	Petrol	354		1111
C1E 688	70.00	1108	4	Petrol	373		1127
C1E 700	70.00	1108	4	Petrol	374		1128
C1E 714	70.00	1108	4	Petrol	375		1129
C1E 715	70.00	1108	4	Petrol	376		1130
C1E 718	70.00	1108	4	Petrol	376		1131
C1E 719	70.00	1108	4	Petrol	376		1131
C1E 720	70.00	1108	4	Petrol	376		1132
C1E 726	70.00	1108	4	Petrol	376		1131
C1E 750	70.00	1108	4	Petrol	376		1130
C1E 752	70.00	1108	4	Petrol	376		1130
C1E 754	70.00	1108	4	Petrol	376		1130
C1E 756	70.00	1108	4	Petrol	374		1128
C1E 760	70.00	1108	4	Petrol	376		1130
C1E 762	70.00	1108	4	Petrol	376		1130
C1E 764	70.00	1108	4	Petrol	376		1133
C1E 792	70.00	1108	4	Petrol	376		1130
C1G 700	71.50	1237	4	Petrol	378		1135
C1G 702	71.50	1237	4	Petrol	378		1136
C1G 710	71.50	1237	4	Petrol	378		1136
C1G 720	71.50	1237	4	Petrol	378		1136
C1G 722	71.50	1237	4	Petrol	378		1136
C1G 726	71.50	1237	4	Petrol	378		1136
C1G 730	71.50	1237	4	Petrol	378		1136
C1J 700	76.00	1397	4	Petrol	414		1171
C1J 715	76.00	1397	4	Petrol	415		1173
C1J 742	76.00	1397	4	Petrol	415		1174
C1J 748	76.00	1397	4	Petrol	416		1175
C1J 760	76.00	1397	4	Petrol	417		1176
C1J 764	76.00	1397	4	Petrol	418		1177
C1J 768	76.00	1397	4	Petrol	415		1178
C1J 770	76.00	1397	4	Petrol	417		1179
C1J 780	76.00	1397	4	Petrol	415		1173
C1J 782	76.00	1397	4	Petrol	419		1179
C1J 784	76.00	1397	4	Petrol	419		1180
C1J 788	76.00	1397	4	Petrol	419		1179
C1J 791	76.00	1397	4	Petrol	420		1181
C1J 792	76.00	1397	4	Petrol	421		1182
C1J 796	76.00	1397	4	Petrol	421		1182
C2J	76.00	1397	4	Petrol			1183
C2J 700	76.00	1397	4	Petrol	422		1173
C2J 713	76.00	1397	4	Petrol	423		1184
C2J 717	76.00	1397	4	Petrol	421		1185
C2J 718	76.00	1397	4	Petrol	421		1181
C2J 720	76.00	1397	4	Petrol	421		1181
C2J 730	76.00	1397	4	Petrol	421		1181
C2J 755	76.00	1397	4	Petrol	421		1181
C2J 756	76.00	1397	4	Petrol	424		1186
C2J 757	76.00	1397	4	Petrol	421		1181
C2J 760	76.00	1397	4	Petrol	425		1186
C2J 766	76.00	1397	4	Petrol	421		1181
C2J 767	76.00	1397	4	Petrol	421		1181
C2J 768	76.00	1397	4	Petrol	421		1187
C2J 770	76.00	1397	4	Petrol	415		1188
C2J 772	76.00	1397	4	Petrol	415		1189
C2J 776	76.00	1397	4	Petrol	425		1166
C2J 780	76.00	1397	4	Petrol	425		1181
C2J 781	76.00	1397	4	Petrol	425		1181
C2J 782	76.00	1397	4	Petrol	415		1190
C2J 784	76.00	1397	4	Petrol	415		1190
C2J 788	76.00	1397	4	Petrol	425		1181
C2J 789	76.00	1397	4	Petrol	425		1181
C2J 792	76.00	1397	4	Petrol	424		1166
C2J 794	76.00	1397	4	Petrol	424		1166
C2J 796	76.00	1397	4	Petrol	424		1186
C2J 797	76.00	1397	4	Petrol	424		1186
C2J 798	76.00	1397	4	Petrol	425		1181
C2L 714	77.00	1565	4	Petrol			1214
C2L 717	76.00	1397	4	Petrol			1175
C3A	70.00	954	4	Petrol	8		779
C3G 700	74.00	1239	4	Petrol	385		1144
C3G 702	74.00	1239	4	Petrol	385		1144
C3G 710	74.00	1239	4	Petrol	385		1145
C3G 712	74.00	1239	4	Petrol	385		1145
C3G 720	74.00	1239	4	Petrol	385		1146
C3G 750	74.00	1239	4	Petrol	386		1145







		ccm	X 				9
C3J 700	76.00	1397	4	Petrol	421	1173	
C3J 702	76.00	1397	4	Petrol	421	1173	
C3J 710	76.00	1397	4	Petrol	421	1189	
C3J 756	76.00	1397	4	Petrol	420	1186	
C3J 760	76.00	1397	4	Petrol	421	1173	
C3J 762	76.00	1397	4	Petrol	421	1185	
C6J 750	76.00	1397	4	Petrol	426	1175	
CG10DE	71.00	998	4	Petrol	377	1134	
CRD90	90.00	2175	4	Diesel		1057	
CRD93	93.00	2500	4	Diesel	318	1070	
CRD93 (U25/661)	93.00	2500	4	Diesel	319	1070	
CRD93B	93.00	2500	4	Diesel	320	1071	
CRD93L	94.00	2498	4	Diesel	334	1090	
CRD93L (U25-661)	93.00	2500	4	Diesel	321	1072	
CRD93LS (U25/673)	93.00	2500	4	Diesel	322	1073	
CRD93LS (U25-673)	93.00	2500	4	Diesel	322	1073	
D2E	83.00	1905	4	Petrol	179	933	
D2F	83.00	1905	4	Petrol	180	934	
D4D 700	69.00	999	4	Petrol	368	1112	
D4D 720	69.00	999	4	Petrol	368	1112	
D4F 702	69.00	1149	4	Petrol	355	1112	
D4F 704	69.00	1149	4	Petrol	356	1112	
D4F 706	69.00	1149	4	Petrol	357	1113	
D4F 708 Euro 3	69.00	1149	4	Petrol	358	1113	
D4F 712	69.00	1149	4	Petrol	355	1113	
D4F 714	69.00	1149	4	Petrol	355	1113	
D4F 716	69.00	1149	4	Petrol	355	1113	
D4F 722	69.00	1149	4	Petrol	355	1113	
D4F 728	69.00	1149	4	Petrol	357	1113	
D4F 730	69.00	1149	4	Petrol	357	1113	
D4F 732	69.00	1149	4	Petrol		1112	
D4F 732	69.00	1149	4	Petrol	359	1112	
D4F 734	69.00	1149	4	Petrol	359		
D4F 740	69.00	1149	4	Petrol	360	1112	
D4F 742	69.00	1149	4	Petrol	360	1112	
D4F 764	69.00	1149	4	Petrol	360	1112	
D4F 772	69.00	1149	4	Petrol	360	1112	
D4F 780	69.00	1149	4	Petrol	361	1114	
D4F 782 Euro 5	69.00	1149	4	Petrol	361	1114	
D4F 784	69.00	1149	4	Petrol	361	1114	
D4F 786	69.00	1149	4	Petrol	361	1112	
D7D 760	69.00	1149	4	Petrol	362	1112	
D7F 700	69.00	1149	4	Petrol	363	1115	
D7F 701	69.00	1149	4	Petrol	363	1116	
D7F 702	69.00	1149	4	Petrol	363	1116	
D7F 703	69.00	1149	4	Petrol	363	1116	
D7F 704	69.00	1149	4	Petrol	363	1116	
D7F 706	69.00	1149	4	Petrol	363	1116	
D7F 708	69.00	1149	4	Petrol	364	1117	
D7F 710	69.00	1149	4	Petrol	363	1118	
D7F 720	69.00	1149	4	Petrol	363	1116	
D7F 722	69.00	1149	4	Petrol	363	1119	
D7F 726	69.00	1149	4	Petrol	363	1119	
D7F 730	69.00	1149	4	Petrol	363	1119	
D7F 744	69.00	1149	4	Petrol	365	1120	
D7F 746	69.00	1149	4	Petrol	365	1118	
D7F 764	69.00	1149	4	Petrol	366	1121	
D7F 766 Euro 4	69.00	1149	4	Petrol	363	1116	
D7F 800	69.00	1149	4	Petrol	367	1117	
DEW10J4 (RFR)	85.00	1997	4	Petrol	224	968	
DJ5 (T9A)	92.00	2446	4	Diesel	311	1063	
DJ5T (T8A)	92.00	2446	4	Diesel	312	1064	
DJ5T (THZ)	92.00	2446	4	Diesel	313	1065	
DJ5TED (THX)	92.00	2446	4	Diesel	314	1066	
DK5ATE (THY)	92.00	2446	4	Diesel	315	1067	
DT17 (UHZ)	81.00	2720	V6	Diesel	141		
DT17BTED4 (UHZ)	81.00	2720	V6	Diesel	142		
DT17ED4	81.00	2720	V6	Diesel	143	901	
DT17TED4	81.00	2720	6	Diesel	141	901	
DT17TED4 (UHZ)	81.00	2720	V6	Diesel	143	901	
DT20C (X8C) Euro 5	84.00	2993	V6	Diesel	218		
DT20C Euro 5	84.00	2993	V6	Diesel	218		
DV4C (8HP)	73.70	1398	4	Diesel		803	
DV4C (8HR)	73.70	1398	4	Diesel	29	803	
DV4D	73.50	1398	4	Diesel	30	802	
DV4TD (8HS)	73.70	1398	4	Diesel	31	804	
DV4TD (8HT)	73.70	1398	4	Diesel	32	805	
DV4TD (8HT)	73.70	1398	4	Diesel	33	805	







		ccm	X 			9 
DV4TD (8HX)	73.70	1398	4	Diesel	30	806
DV4TD (8HZ)	73.70	1398	4	Diesel	30	806
DV4TED (8HS) Euro 4	73.70	1398	4	Diesel	34	803
DV4TED4 (8HY)	73.70	1398	4	Diesel	35	807
DV6ATED4 (9HV)	75.00	1560	4	Diesel	90	856
DV6ATED4 (9HX) Euro 4	75.00	1560	4	Diesel	90	857
DV6AUTED4 (9HX) Euro 4	75.00	1560	4	Diesel	91	858
DV6B Euro 4	75.00	1560	4	Diesel	92	858
DV6BTED4 (9HT) Euro 4	75.00	1560	4	Diesel	93	859
DV6BTED4 (9HW)	75.00	1560	4	Diesel	91	860
DV6BTED4 (9HW) Euro 4	75.00	1560	4	Diesel	94	860
DV6BUTED4 (9HT) Euro 4	75.00	1560	4	Diesel	95	859
DV6C (9HL)	75.00	1560	4	Diesel		861
DV6C (9HR)	75.00	1560	4	Diesel	91	861
DV6CTED (9HD)	75.00	1560	4	Diesel		861
DV6DBM (9HE) Euro 4	75.00	1560	4	Diesel		861
DV6DTED (9HF)	75.00	1560	4	Diesel		861
DV6DTED (9HF) Euro 4	75.00	1560	4	Diesel		861
DV6DTED (9HP)	75.00	1560	4	Diesel		861
DV6DTED (9HP) Euro 4	75.00	1560	4	Diesel		862
DV6DTEDM (9HJ)	75.00	1560	4	Diesel		861
DV6DTEDM (9HJ) Euro 4	75.00	1560	4	Diesel		861
DV6ETED (9HN) Euro 4	75.00	1560	4	Diesel		862
DV6ETED (9HW) Euro 4	75.00	1560	4	Diesel	96	859
DV6ETEDM (9HK)	75.00	1560	4	Diesel		862
DV6ETEDM (9HK) Euro 4	75.00	1560	4	Diesel		862
DV6TED4 (9HY)	75.00	1560	4	Diesel	90	857
DV6TED4 (9HY) Euro 4	75.00	1560	4	Diesel	90	857
DV6TED4 (9HZ) Euro 4	75.00	1560	4	Diesel	90	857
DV6UTED4 (9HU)	75.00	1560	4	Diesel	94	863
DW10ATED (RHS)	85.00	1997	4	Diesel	226	974
DW10ATED (RHS)	85.00	1997	4	Diesel	226	975
DW10ATED (RHZ)	85.00	1997	4	Diesel	227	976
DW10ATED4 (RHM)	85.00	1997	4	Diesel	228	977
DW10ATED4 (RHT)	85.00	1997	4	Diesel	229	978
DW10ATED4 (RHW)	85.00	1997	4	Diesel	230	977
DW10BTED (RHX)	85.00	1997	4	Diesel	231	976
DW10BTED (RHX)	85.00	1997	4	Diesel	231	979
DW10BTED4 (RHF)	85.00	1997	4	Diesel		980
DW10BTED4 (RHF)	85.00	1997	4	Diesel	232	980
DW10BTED4 (RHJ) Euro 4	85.00	1997	4	Diesel	233	981
DW10BTED4 (RHR)	85.00	1997	4	Diesel	234	982
DW10BTED4 (RHR) Euro 4	85.00	1997	4	Diesel	234	983
DW10CTED4 (RHC)	85.00	1997	4	Diesel		984
DW10CTED4 (RHE)	85.00	1997	4	Diesel	235	985
DW10CTED4 (RHE) Euro 5	85.00	1997	4	Diesel	235	985
DW10CTED4 (RHH) Euro 5	85.00	1997	4	Diesel	235	985
DW10DTED4 (RHO) Euro 5	85.00	1997	4	Diesel		986
DW10TD (NFU)	85.00	1997	4	Diesel		985
DW10TD (RHV)	85.00	1997	4	Diesel	236	975
DW10TD (RHY)	85.00	1997	4	Diesel	237	974
DW10TD (RHY)	85.00	1997	4	Diesel	238	974
DW10UTD (RHV)	85.00	1997	4	Diesel	239	974
DW10UTED4 (RHK)	85.00	1997	4	Diesel	240	987
DW10UTED4 (RHK) Euro 4	85.00	1997	4	Diesel	240	987
DW12BTED4 (4HP)	85.00	2179	4	Diesel	244	991
DW12BTED4 (4HR)	85.00	2179	4	Diesel		992
DW12BTED4 (4HS) Euro 4	85.00	2179	4	Diesel	244	993
DW12BTED4 (4HT) Euro 4	85.00	2179	4	Diesel	245	994
DW12BTED4 (4HW)	85.00	2179	4	Diesel		995
DW12C (4HL)	85.00	2179	4	Diesel	235	996
DW12C (4HL) Euro 5	85.00	2179	4	Diesel	235	996
DW12MTED4 (4HK)	85.00	2179	4	Diesel		997
DW12MTED4 (4HN)	85.00	2179	4	Diesel	244	998
DW12TED4 (4HW)	85.00	2179	4	Diesel	246	999
DW12TED4 (4HZ)	85.00	2179	4	Diesel		995
DW12TED4/FAP (4HX)	85.00	2179	4	Diesel	247	999
DW12UTED (4HY)	85.00	2179	4	Diesel	248	1000
DW12UTED4 (4HY)	85.00	2179	4	Diesel	249	1001
DW8 (WJZ)	82.20	1868	4	Diesel	144	902
DW8B (WJX)	82.20	1868	4	Diesel	145	903
DW8B (WJY)	82.20	1868	4	Diesel	146	902
DW8B (WJY)	82.20	1868	4	Diesel	147	902
E1	74.00	1118	4	Petrol	39	813
E1A	72.00	1124	4	Petrol	19	793
E5F 710	75.80	1171	4	Petrol	390	1150
E5F 716	75.80	1171	4	Petrol	391	1151
E6J 700	75.80	1390	4	Petrol	390	1153







		ccm	X 				9
E6J 701	75.80	1390	4	Petrol	390	1153	
E6J 706	75.80	1390	4	Petrol	392	1154	
E6J 712	75.80	1390	4	Petrol	391	1154	
E6J 713	75.80	1390	4	Petrol	391	1154	
E6J 718	75.80	1390	4	Petrol	391	1154	
E6J 734	75.80	1390	4	Petrol	392	1153	
E6J 738	75.80	1390	4	Petrol	394	1155	
E6J 760	75.80	1390	4	Petrol	392	1154	
E7F 700	75.80	1171	4	Petrol	390	1151	
E7F 704	75.80	1171	4	Petrol	393	1152	
E7F 706	75.80	1171	4	Petrol	390	1150	
E7F 708	75.80	1171	4	Petrol	390	1151	
E7F 730	75.80	1171	4	Petrol	392	1152	
E7F 750	75.80	1171	4	Petrol	390	1150	
E7J 601	75.80	1390	4	Petrol	395	1156	
E7J 624	75.80	1390	4	Petrol	396	1157	
E7J 626	75.80	1390	4	Petrol	397	1157	
E7J 634	75.80	1390	4	Petrol	398	1157	
E7J 635	75.80	1390	4	Petrol	398	1157	
E7J 700	75.80	1390	4	Petrol	399	1158	
E7J 706	75.80	1390	4	Petrol	400	1159	
E7J 707	75.80	1390	4	Petrol	401	1160	
E7J 710	75.80	1390	4	Petrol	400	1156	
E7J 711	75.80	1390	4	Petrol	400	1156	
E7J 718	75.80	1390	4	Petrol	400	1161	
E7J 719	75.80	1390	4	Petrol	400	1161	
E7J 720	75.80	1390	4	Petrol	402	1162	
E7J 724	75.80	1390	4	Petrol	403	1162	
E7J 726	75.80	1390	4	Petrol	403	1162	
E7J 728	75.80	1390	4	Petrol	404	1161	
E7J 742	75.80	1390	4	Petrol	404	1161	
E7J 745	75.80	1390	4	Petrol	405	1160	
E7J 754	75.80	1390	4	Petrol	403	1162	
E7J 756	75.80	1390	4	Petrol	400	1156	
E7J 757	75.80	1390	4	Petrol	400	1156	
E7J 764	75.80	1390	4	Petrol	406	1163	
E7J 770	75.80	1390	4	Petrol	401	1160	
E7J 771	75.80	1390	4	Petrol	401	1160	
E7J 773	75.80	1390	4	Petrol	403	1162	
E7J 780	75.80	1390	4	Petrol	407	1164	
EN 55	94.00	2498	4	Diesel	335	1091	
EP3	76.00	1397	4	Petrol	98		
EP3 (8FP)	77.00	1397	4	Petrol	103		
EP3 (8FR)	77.00	1397	4	Petrol	104		
EP3 (8FS)	77.00	1397	4	Petrol	105		
EP3C	77.00	1397	4	Petrol	106		
EP6 (5FW)	77.00	1598	4	Petrol	110		
EP6 (5FW) Euro 4	77.00	1598	4	Petrol	105		
EP6C (5FS)	77.00	1598	4	Petrol	110		
EP6C (5FS)	77.00	1598	4	Petrol	111		
EP6CB (5FK)	77.00	1598	4	Petrol	104		
EP6CDT (5FV)	77.00	1598	4	Petrol	112		
EP6CDT Euro 5	77.00	1598	4	Petrol	113		
EP6CDTX (5FU)	77.00	1598	4	Petrol		871	
EP6CDTX (5FY)	77.00	1598	4	Petrol	114		
EP6CDTX Euro 5	77.00	1598	4	Petrol	115		
EP6DT (5FR)	77.00	1598	4	Petrol	112		
EP6DT (5FT)	77.00	1598	4	Petrol	112		
EP6DT (5FV)	77.00	1598	4	Petrol	112		
EP6DT (5FX) Euro 4	77.00	1598	4	Petrol	116		
EP6DT (5FY) Euro 4	77.00	1598	4	Petrol	117		
EP6DTS (5FD)	77.00	1598	4	Petrol		871	
EP6DTS (5FU) Euro 4	77.00	1598	4	Petrol	118	871	
EP6DTS (5FY) Euro 4	77.00	1598	4	Petrol	112		
EP6DTX (5FU) Euro 4	77.00	1598	4	Petrol		871	
ES9A (XFU)	87.00	2946	V6	Petrol	280	1025	
ES9A (XFV)	87.00	2946	V6	Petrol	281	1025	
ES9A (XFV)	87.00	2946	V6	Petrol	281	1026	
ES9A (XFW)	87.00	2946	V6	Petrol	282		
ES9A (AFX)	87.00	2946	V6	Petrol	282	1027	
ES9J4 (XFZ)	87.00	2946	V6	Petrol	283	1028	
ES9J4S (XFW)	87.00	2946	V6	Petrol	284	1029	
ES9J4S (AFX)	87.00	2946	V6	Petrol	285	1030	
ET 70	94.00	2498	4	Diesel	336	1092	
ET3J4 (KFU)	75.00	1360	4	Petrol	57	827	
EW10A (RFH) Euro 4	85.00	1997	4	Petrol	220	969	
EW10A (RFJ)	85.00	1997	4	Petrol	221	970	
EW10A (RFJ) Euro 4	85.00	1997	4	Petrol	221	971	







		ccm	X 			9	
EW10A (RFK)	85.00	1997	4	Petrol			972
EW10A (RFN)	85.00	1997	4	Petrol			972
EW10A (RFR)	85.00	1997	4	Petrol			972
EW10D (RLZ)	85.00	1997	4	Petrol	222		968
EW10J4 (RFN)	85.00	1997	4	Petrol	223		973
EW10J4S (RFK)	85.00	1997	4	Petrol	225		968
EW10J4S (RFK)	85.00	1997	4	Petrol	225		972
EW12J4 (3FY)	86.00	2230	4	Petrol	275		1022
EW12J4 (3FY)	86.00	2230	4	Petrol	276		1022
EW12J4 (3FZ)	86.00	2230	4	Petrol	275		1022
EW7A (6FY)	82.70	1749	4	Petrol	149		904
EW7A (6FY) Euro 4	82.70	1749	4	Petrol	149		904
EW7A (6FZ)	82.70	1749	4	Petrol	150		905
EW7J4 (6FZ)	82.70	1749	4	Petrol	151		905
EW7J4 (6FZ)	82.70	1749	4	Petrol	151		906
F1	74.00	1204	4	Petrol	39		813
F13DTE5 (FHZ)	69.60	1248	4	Diesel			775
F1N 720	81.00	1721	4	Petrol	567		1304
F1N 722	81.00	1721	4	Petrol	568		1304
F1N 724	81.00	1721	4	Petrol	568		1304
F28TDCR Euro 3	94.40	2798	4	Diesel	347		1098
F2N 700	81.00	1721	4	Petrol	569		1305
F2N 704	81.00	1721	4	Petrol	569		1305
F2N 708	81.00	1721	4	Petrol	570		1306
F2N 710	81.00	1721	4	Petrol	571		1306
F2N 711	81.00	1721	4	Petrol	572		1305
F2N 712	81.00	1721	4	Petrol	571		1306
F2N 716	81.00	1721	4	Petrol	573		1305
F2N 720	81.00	1721	4	Petrol	572		1306
F2N 721	81.00	1721	4	Petrol	572		1306
F2N 722	81.00	1721	4	Petrol	573		1305
F2N 724	81.00	1721	4	Petrol	572		1305
F2N 726	81.00	1721	4	Petrol	574		1306
F2N 727	81.00	1721	4	Petrol	573		1306
F2N 728	81.00	1721	4	Petrol	573		1306
F2N 730	81.00	1721	4	Petrol	570		1307
F2N 732	81.00	1721	4	Petrol	570		1305
F2N 740	81.00	1721	4	Petrol	570		1306
F2N 742	81.00	1721	4	Petrol	570		1306
F2N 750	81.00	1721	4	Petrol	571		1306
F2N 752	81.00	1721	4	Petrol	571		1306
F2N 753	81.00	1721	4	Petrol	575		1305
F2N 754	81.00	1721	4	Petrol	572		1305
F2N 758	81.00	1721	4	Petrol	573		1305
F2N 770	81.00	1721	4	Petrol	572		1306
F2N 783	81.00	1721	4	Petrol	573		1305
F2N 786	81.00	1721	4	Petrol	573		1305
F2N 796	81.00	1721	4	Petrol	575		1305
F2N 797	81.00	1721	4	Petrol	575		1305
F2N 798	81.00	1721	4	Petrol	570		1305
F2R 702	81.00	1721	4	Petrol	576		1308
F3N 702	81.00	1721	4	Petrol	570		1309
F3N 708	81.00	1721	4	Petrol	577		1310
F3N 716	81.00	1721	4	Petrol	570		1309
F3N 717	81.00	1721	4	Petrol	570		1309
F3N 718	81.00	1721	4	Petrol	570		1309
F3N 722	81.00	1721	4	Petrol	570		1309
F3N 723	81.00	1721	4	Petrol	570		1309
F3N 726	81.00	1721	4	Petrol	571		1309
F3N 740	81.00	1721	4	Petrol	572		1309
F3N 741	81.00	1721	4	Petrol	572		1309
F3N 742	81.00	1721	4	Petrol	572		1309
F3N 743	81.00	1721	4	Petrol	572		1309
F3N 746	81.00	1721	4	Petrol	572		1310
F3N 747	81.00	1721	4	Petrol			1311
F3P 670	82.70	1783	4	Petrol	581		1315
F3P 674	82.70	1783	4	Petrol	582		1316
F3P 676	82.70	1794	4	Petrol	588		1321
F3P 678	82.70	1783	4	Petrol	583		1315
F3P 682	82.70	1783	4	Petrol	584		1317
F3P 700	82.70	1794	4	Petrol	589		1317
F3P 704	82.70	1794	4	Petrol	589		1317
F3P 705	82.70	1794	4	Petrol	590		1317
F3P 706	82.70	1794	4	Petrol	590		1317
F3P 707	82.70	1794	4	Petrol	590		1317
F3P 708	82.70	1794	4	Petrol	590		1317
F3P 710	82.70	1794	4	Petrol	589		1318
F3P 712	82.70	1794	4	Petrol	589		1322







		ccm	X 			9	
F3P 714	82.70	1794	4	Petrol	589	1318	
F3P 720	82.70	1794	4	Petrol	583	1323	
F3P 724	82.70	1794	4	Petrol	583	1323	
F3P 754	82.70	1794	4	Petrol	584	1318	
F3P 755	82.70	1783	4	Petrol	584	1318	
F3P 758	82.70	1783	4	Petrol	584	1318	
F3P 760	82.70	1794	4	Petrol	590	1317	
F3P 764	82.70	1783	4	Petrol	584	1317	
F3P 765	82.70	1794	4	Petrol	584	1317	
F3R 200	82.70	1998	4	Petrol	591	1324	
F3R 611	82.70	1998	4	Petrol	592	1325	
F3R 722	82.70	1998	4	Petrol	592	1326	
F3R 723	82.70	1998	4	Petrol	592	1326	
F3R 728	82.70	1998	4	Petrol	593	1326	
F3R 729	82.70	1998	4	Petrol	593	1326	
F3R 742	82.70	1998	4	Petrol	594	1327	
F3R 750	82.70	1998	4	Petrol	595	1326	
F3R 751	82.70	1998	4	Petrol	596	1328	
F3R 752	82.70	1998	4	Petrol	595	1329	
F3R 768	82.70	1998	4	Petrol	597	1330	
F3R 769	82.70	1998	4	Petrol	594	1330	
F3R 791	82.70	1998	4	Petrol	595	1331	
F3R 796	82.70	1998	4	Petrol	592	1327	
F3R 797	82.70	1998	4	Petrol	598	1331	
F3R 798	82.70	1998	4	Petrol	599	1331	
F3R J7	82.70	1998	4	Petrol	600	1332	
F4P 720	82.70	1783	4	Petrol	585	1319	
F4P 722	82.70	1783	4	Petrol	585	1319	
F4P 760	82.70	1783	4	Petrol	585	1320	
F4P 770	82.70	1783	4	Petrol	586	1320	
F4P 771	82.70	1783	4	Petrol	586	1320	
F4P 772	82.70	1783	4	Petrol	587	1320	
F4P 773	82.70	1783	4	Petrol	586	1320	
F4P 774	82.70	1783	4	Petrol	586	1320	
F4P 775	82.70	1783	4	Petrol	586	1320	
F4R 700	82.70	1998	4	Petrol	585	1333	
F4R 701	82.70	1998	4	Petrol	585	1334	
F4R 712	82.70	1998	4	Petrol	586	1334	
F4R 713	82.70	1998	4	Petrol	586	1334	
F4R 714	82.70	1998	4	Petrol	586	1334	
F4R 715	82.70	1998	4	Petrol	586	1334	
F4R 720	82.70	1998	4	Petrol	586	1334	
F4R 722	82.70	1998	4	Petrol	586	1334	
F4R 730	82.70	1998	4	Petrol	585	1334	
F4R 732	82.70	1998	4	Petrol	601	1335	
F4R 736	82.70	1998	4	Petrol	601	1335	
F4R 738 Euro 3	82.70	1998	4	Petrol	602	1334	
F4R 740	82.70	1998	4	Petrol	602	1334	
F4R 741	82.70	1998	4	Petrol	602	1334	
F4R 744	82.70	1998	4	Petrol	602	1334	
F4R 746	82.70	1998	4	Petrol	603	1335	
F4R 747	82.70	1998	4	Petrol	601	1335	
F4R 760	82.70	1998	4	Petrol	604	1336	
F4R 761	82.70	1998	4	Petrol	604	1336	
F4R 762	82.70	1998	4	Petrol	604	1336	
F4R 763	82.70	1998	4	Petrol	604	1336	
F4R 764	82.70	1998	4	Petrol	605	1336	
F4R 765	82.70	1998	4	Petrol	605	1336	
F4R 766 Euro 4	82.70	1998	4	Petrol	605	1337	
F4R 767 Euro 4	82.70	1998	4	Petrol	605	1337	
F4R 770	82.70	1998	4	Petrol	586	1334	
F4R 771	82.70	1998	4	Petrol	586	1334	
F4R 774	82.70	1998	4	Petrol	606	1337	
F4R 776	82.70	1998	4	Petrol	607	1338	
F4R 780	82.70	1998	4	Petrol	585	1334	
F4R 784	82.70	1998	4	Petrol	608	1339	
F4R 786	82.70	1998	4	Petrol	608	1339	
F4R 787	82.70	1998	4	Petrol	608	1339	
F4R 790	82.70	1998	4	Petrol	609	1340	
F4R 791	82.70	1998	4	Petrol	610	1341	
F4R 792	82.70	1998	4	Petrol	586	1334	
F4R 794	82.70	1998	4	Petrol	607	1342	
F4R 795	82.70	1998	4	Petrol	607	1342	
F4R 796	82.70	1998	4	Petrol	607	1339	
F4R 797	82.70	1998	4	Petrol	607	1342	
F4R 800	82.70	1998	4	Petrol	611	1337	
F4R 811	82.70	1998	4	Petrol	611	1337	
F4R 811	82.70	1998	4	Petrol	612	1343	







		ccm	X 			9	
F4R 820	82.70	1998	4	Petrol	587		1336
F4R 830	82.70	1998	4	Petrol	613		1344
F4R 867	82.70	1998	4	Petrol	611		1336
F4R 870	82.70	1998	4	Petrol	614		1345
F4R 872	82.70	1998	4	Petrol	614		1335
F4R 874 Euro 5	82.70	1998	4	Petrol	614		1345
F4R 886	82.70	1998	4	Petrol	611		1338
F4R 887	82.70	1998	4	Petrol	611		1338
F4R 896	82.70	1998	4	Petrol	611		1339
F4R 897	82.70	1998	4	Petrol	611		1339
F4R Z 770	82.70	1998	4	Petrol			1335
F4Rt 774 Euro 4	82.70	1998	4	Petrol	611		1346
F4Rt 800 Euro 4	82.70	1998	4	Petrol	611		1337
F4Rt 811 Euro 4	82.70	1998	4	Petrol	611		1346
F5R 700	86.00	1998	4	Petrol	632		1360
F5R 701	86.00	1998	4	Petrol	633		1360
F5R 740	82.70	1998	4	Petrol	615		1334
F7P 700	82.00	1764	4	Petrol	578		1312
F7P 702	82.00	1764	4	Petrol	579		1313
F7P 704	82.00	1764	4	Petrol	580		1312
F7P 720	82.00	1764	4	Petrol	578		1312
F7P 722	82.00	1764	4	Petrol	580		1314
F7R 700	82.70	1998	4	Petrol	616		1347
F7R 710	82.70	1998	4	Petrol	617		1348
F7R 712	82.70	1998	4	Petrol	618		
F7R 714	82.70	1998	4	Petrol	617		1349
F7R 720	82.70	1998	4	Petrol	618		1350
F8M 700	78.00	1596	4	Diesel	454		1215
F8M 720	78.00	1596	4	Diesel	454		1216
F8M 730	78.00	1596	4	Diesel	454		1216
F8M 736	78.00	1596	4	Diesel	454		1216
F8M 760	78.00	1596	4	Diesel	454		1216
F8Q 600	80.00	1870	4	Diesel	508		1251
F8Q 600	80.00	1870	4	Diesel	509		1251
F8Q 606	80.00	1870	4	Diesel	510		1252
F8Q 610	80.00	1870	4	Diesel	511		1253
F8Q 620	80.00	1870	4	Diesel	512		1254
F8Q 622	80.00	1870	4	Diesel	513		1255
F8Q 624	80.00	1870	4	Diesel	512		1256
F8Q 630	80.00	1870	4	Diesel	514		1257
F8Q 630	80.00	1870	4	Diesel	514		1258
F8Q 632	80.00	1870	4	Diesel	515		1257
F8Q 636	80.00	1870	4	Diesel	508		1259
F8Q 640	80.00	1870	4	Diesel	516		1254
F8Q 644	80.00	1870	4	Diesel	517		1260
F8Q 646	80.00	1870	4	Diesel	518		1261
F8Q 648	80.00	1870	4	Diesel	517		1262
F8Q 662	80.00	1870	4	Diesel	519		1263
F8Q 676	80.00	1870	4	Diesel	520		1264
F8Q 678	80.00	1870	4	Diesel	521		1265
F8Q 680	80.00	1870	4	Diesel	517		1266
F8Q 682	80.00	1870	4	Diesel	522		1267
F8Q 684	80.00	1870	4	Diesel	517		1266
F8Q 696	80.00	1870	4	Diesel	523		1268
F8Q 706	80.00	1870	4	Diesel	524		1269
F8Q 710	80.00	1870	4	Diesel	525		1270
F8Q 714	80.00	1870	4	Diesel	526		1271
F8Q 722	80.00	1870	4	Diesel	527		1272
F8Q 724	80.00	1870	4	Diesel	528		1254
F8Q 730	80.00	1870	4	Diesel	529		1273
F8Q 732	80.00	1870	4	Diesel	530		1274
F8Q 740	80.00	1870	4	Diesel	531		1253
F8Q 742	80.00	1870	4	Diesel	525		1270
F8Q 744	80.00	1870	4	Diesel	532		1275
F8Q 748	80.00	1870	4	Diesel			1276
F8Q 754	80.00	1870	4	Diesel			1276
F8Q 764	80.00	1870	4	Diesel	533		1271
F8Q 768	80.00	1870	4	Diesel	534		1277
F8Q 774	80.00	1870	4	Diesel	535		1254
F8Q 776	80.00	1870	4	Diesel	536		1254
F8Q 784	80.00	1870	4	Diesel	537		1278
F8Q 785	80.00	1870	4	Diesel			1279
F8Q 786	80.00	1870	4	Diesel	537		1280
F8Q 788	80.00	1870	4	Diesel	508		1281
F8Q 790	80.00	1870	4	Diesel	538		1282
F9Q 650	80.00	1870	4	Diesel	539		1283
F9Q 664	80.00	1870	4	Diesel	540		1284
F9Q 670	80.00	1870	4	Diesel	541		1284







		ccm	X 			9	
F9Q 674	80.00	1870	4	Diesel	540	1284	
F9Q 680	80.00	1870	4	Diesel	541	1285	
F9Q 710	80.00	1870	4	Diesel	542	1286	
F9Q 716	80.00	1870	4	Diesel	543	1287	
F9Q 717	80.00	1870	4	Diesel	544	1288	
F9Q 718	80.00	1870	4	Diesel	545	1289	
F9Q 722	80.00	1870	4	Diesel	546	1290	
F9Q 730	80.00	1870	4	Diesel	547	1291	
F9Q 731	80.00	1870	4	Diesel	548	1287	
F9Q 732	80.00	1870	4	Diesel	549	1286	
F9Q 733	80.00	1870	4	Diesel	549	1288	
F9Q 734	80.00	1870	4	Diesel	550	1286	
F9Q 736	80.00	1870	4	Diesel	551	1288	
F9Q 738	80.00	1870	4	Diesel	552	1288	
F9Q 740	80.00	1870	4	Diesel	553	1289	
F9Q 744	80.00	1870	4	Diesel	554	1292	
F9Q 746	80.00	1870	4	Diesel	508	1287	
F9Q 748	80.00	1870	4	Diesel	555	1293	
F9Q 750	80.00	1870	4	Diesel	549	1284	
F9Q 751	80.00	1870	4	Diesel	508	1294	
F9Q 752	80.00	1870	4	Diesel	556	1295	
F9Q 754	80.00	1870	4	Diesel	545	1295	
F9Q 756	80.00	1870	4	Diesel	557	1296	
F9Q 758	80.00	1870	4	Diesel	540	1284	
F9Q 759	80.00	1870	4	Diesel	540	1284	
F9Q 760	80.00	1870	4	Diesel	545	1286	
F9Q 762	80.00	1870	4	Diesel	545	1295	
F9Q 770	80.00	1870	4	Diesel	558	1292	
F9Q 772	80.00	1870	4	Diesel	545	1297	
F9Q 774	80.00	1870	4	Diesel	545	1288	
F9Q 780	80.00	1870	4	Diesel	554	1289	
F9Q 782	80.00	1870	4	Diesel	559	1289	
F9Q 790	80.00	1870	4	Diesel	559	1295	
F9Q 796	80.00	1870	4	Diesel		1287	
F9Q 800	80.00	1870	4	Diesel	560	1284	
F9Q 803	80.00	1870	4	Diesel	561	1287	
F9Q 804	80.00	1870	4	Diesel	562	1298	
F9Q 808	80.00	1870	4	Diesel	560	1296	
F9Q 812	80.00	1870	4	Diesel	563	1299	
F9Q 816	80.00	1870	4	Diesel	564	1299	
F9Q 818	80.00	1870	4	Diesel	564	1299	
F9Q 820	80.00	1870	4	Diesel	545	1300	
F9Q 826	80.00	1870	4	Diesel	541	1300	
F9Q 870	80.00	1870	4	Diesel	565	1301	
F9Q 872	80.00	1870	4	Diesel	565	1301	
F9Q E 804 Euro 4	80.00	1870	4	Diesel	564	1302	
F9Q EE 804 Euro 4	80.00	1870	4	Diesel	566	1302	
F9Q J 803	80.00	1870	4	Diesel	564	1302	
F9Q J 804	80.00	1870	4	Diesel		1303	
F9Q N 870	80.00	1870	4	Diesel		1303	
F9Q P 872	80.00	1870	4	Diesel		1303	
G10	74.00	1015	4	Petrol	38	812	
G10/612	74.00	1015	4	Petrol	38	812	
G11/631	74.00	1129	4	Petrol	40	814	
G12/619	77.00	1222	4	Petrol	102	869	
G13/625	79.40	1299	4	Petrol		891	
G13/646	79.40	1299	4	Petrol		891	
G1A	76.70	1294	4	Petrol	99	865	
G8T 706	87.00	2188	4	Diesel	650	1381	
G8T 714	87.00	2188	4	Diesel	651	1382	
G8T 716	87.00	2188	4	Diesel	651	1382	
G8T 740	87.00	2188	4	Diesel	651	1382	
G8T 752	87.00	2188	4	Diesel	652	1381	
G8T 760	87.00	2188	4	Diesel	651	1382	
G8T 790	87.00	2188	4	Diesel	653	1381	
G8T 792	87.00	2188	4	Diesel	654	1383	
G8T 794	87.00	2188	4	Diesel	655	1381	
G9T 600 Euro 4	87.00	2188	4	Diesel	656	1384	
G9T 605 Euro 4	87.00	2188	4	Diesel	656	1385	
G9T 606 Euro 4	87.00	2188	4	Diesel	657	1385	
G9T 607	87.00	2188	4	Diesel	658	1386	
G9T 642	87.00	2188	4	Diesel	656	1385	
G9T 645 Euro 4	87.00	2188	4	Diesel	659	1385	
G9T 700	87.00	2188	4	Diesel	656	1385	
G9T 702	87.00	2188	4	Diesel	656	1385	
G9T 703	87.00	2188	4	Diesel	656	1385	
G9T 704	87.00	2188	4	Diesel	660	1385	
G9T 706	87.00	2188	4	Diesel	656	1385	







		ccm	X 			9	
G9T 707	87.00	2188	4	Diesel	656		1385
G9T 710	87.00	2188	4	Diesel	656		1386
G9T 712	87.00	2188	4	Diesel	656		1384
G9T 720	87.00	2188	4	Diesel	656		1386
G9T 722	87.00	2188	4	Diesel	656		1386
G9T 742	87.00	2188	4	Diesel	656		1385
G9T 743	87.00	2188	4	Diesel	656		1385
G9T 750	87.00	2188	4	Diesel	656		1386
G9U 630 Euro 4	89.00	2463	4	Diesel	712		1434
G9U 632 Euro 4	89.00	2463	4	Diesel	712		1434
G9U 650 Euro 4	89.00	2463	4	Diesel	712		1434
G9U 720 Euro 3	89.00	2463	4	Diesel	712		1435
G9U 724 Euro 3	89.00	2463	4	Diesel	713		1435
G9U 730 Euro 3	89.00	2463	4	Diesel	712		1435
G9U 750 Euro 3	89.00	2463	4	Diesel	712		1435
G9U 754 Euro 3	89.00	2463	4	Diesel	714		1435
H1A	72.00	1124	4	Petrol	20		794
J5R 716	88.00	1995	4	Petrol	674		1395
J5R 718	88.00	1995	4	Petrol	675		1395
J5R 722	88.00	1995	4	Petrol	674		1397
J5R 726	88.00	1995	4	Petrol	674		1396
J5R 728	88.00	1995	4	Petrol	675		1395
J5R 800	88.00	1995	4	Petrol	676		1394
J6R 234	88.00	1995	4	Petrol	677		1398
J6R 236	88.00	1995	4	Petrol	677		1398
J6R 706	88.00	1995	4	Petrol	677		1397
J6R 707	88.00	1995	4	Petrol	677		1397
J6R 710	88.00	1995	4	Petrol	678		1399
J6R 711	88.00	1995	4	Petrol	679		1394
J6R 712	88.00	1995	4	Petrol	678		1399
J6R 713	88.00	1995	4	Petrol	678		1399
J6R 714	88.00	1995	4	Petrol	680		1400
J6R 715	88.00	1995	4	Petrol	678		1399
J6R 716	88.00	1995	4	Petrol	681		1396
J6R 726	88.00	1995	4	Petrol	678		1394
J6R 734	88.00	1995	4	Petrol	677		1401
J6R 758	88.00	1995	4	Petrol	682		1402
J6R 759	88.00	1995	4	Petrol	683		1402
J6R 760	88.00	1995	4	Petrol	677		1397
J6R 762	88.00	1995	4	Petrol	677		1397
J6R 763	88.00	1995	4	Petrol	677		1400
J6R 792	88.00	1995	4	Petrol	684		1402
J6R 793	88.00	1995	4	Petrol	685		1402
J6T 790	88.00	2165	4	Petrol			1415
J6T 791	88.00	2165	4	Petrol			1415
J6T A500	88.00	2165	4	Petrol	299		1048
J7R 720	88.00	1995	4	Petrol	686		1403
J7R 721	88.00	1995	4	Petrol	687		1400
J7R 722	88.00	1995	4	Petrol	688		1404
J7R 723	88.00	1995	4	Petrol	688		1404
J7R 726	88.00	1995	4	Petrol	686		1405
J7R 732	88.00	1995	4	Petrol	689		1406
J7R 733	88.00	1995	4	Petrol	689		1407
J7R 734	88.00	1995	4	Petrol	690		1407
J7R 735	88.00	1995	4	Petrol	690		1407
J7R 738	88.00	1995	4	Petrol	691		1408
J7R 739	88.00	1995	4	Petrol	691		1408
J7R 740	88.00	1995	4	Petrol	692		1409
J7R 746	88.00	1995	4	Petrol	693		1402
J7R 747	88.00	1995	4	Petrol	693		1402
J7R 750	88.00	1995	4	Petrol	694		1410
J7R 751	88.00	1995	4	Petrol	694		1402
J7R 752	88.00	1995	4	Petrol	695		1411
J7R 754	88.00	1995	4	Petrol	696		1412
J7R 756	88.00	1995	4	Petrol	695		1413
J7R 760	88.00	1995	4	Petrol	693		1402
J7R 768	88.00	1995	4	Petrol	697		1402
J7T 284	88.00	2165	4	Petrol			1416
J7T 600	88.00	2165	4	Petrol	699		1417
J7T 706	88.00	2165	4	Petrol	700		1418
J7T 707	88.00	2165	4	Petrol	700		1419
J7T 708	88.00	2165	4	Petrol	700		1416
J7T 714	88.00	2165	4	Petrol	700		1418
J7T 715	88.00	2165	4	Petrol	700		1418
J7T 718	88.00	2165	4	Petrol	700		1416
J7T 719	88.00	2165	4	Petrol	670		1416
J7T 730	88.00	2165	4	Petrol	700		1418
J7T 731	88.00	2165	4	Petrol	700		1420







		ccm	X 				9
J7T 732	88.00	2165	4	Petrol	700	1420	
J7T 733	88.00	2165	4	Petrol	700	1420	
J7T 734	88.00	2165	4	Petrol		1416	
J7T 736	88.00	2165	4	Petrol		1416	
J7T 754	88.00	2165	4	Petrol	700	1418	
J7T 755	88.00	2165	4	Petrol	700	1420	
J7T 756	88.00	2165	4	Petrol	701	1416	
J7T 760	88.00	2165	4	Petrol	702	1421	
J7T 761	88.00	2165	4	Petrol	702	1422	
J7T 762	88.00	2165	4	Petrol	703	1423	
J7T 763	88.00	2165	4	Petrol	704	1424	
J7T 770	88.00	2165	4	Petrol	705	1425	
J7T 772	88.00	2165	4	Petrol	706	1426	
J7T 773	88.00	2165	4	Petrol	706	1427	
J7T 776	88.00	2165	4	Petrol	706	1417	
J7T 780	88.00	2165	4	Petrol	699	1428	
J7T 782	88.00	2165	4	Petrol	706	1428	
J7T 788	88.00	2165	4	Petrol	706	1429	
J8S 120	86.00	2068	4	Diesel	637	1364	
J8S 232 (852.232)	86.00	2068	4	Diesel	635	1364	
J8S 234	86.00	2068	4	Diesel	637	1364	
J8S 240	86.00	2068	4	Diesel	638	1365	
J8S 330	86.00	2068	4	Diesel	638	1366	
J8S 600	86.00	2068	4	Diesel	638	1362	
J8S 604	86.00	2068	4	Diesel	639	1367	
J8S 610	86.00	2068	4	Diesel	640	1368	
J8S 612	86.00	2068	4	Diesel	641	1369	
J8S 620	86.00	2068	4	Diesel	642	1370	
J8S 622	86.00	2068	4	Diesel		1371	
J8S 702	86.00	2068	4	Diesel	638	1372	
J8S 704	86.00	2068	4	Diesel	643	1373	
J8S 706	86.00	2068	4	Diesel	638	1374	
J8S 708	86.00	2068	4	Diesel	638	1375	
J8S 711	86.00	2068	4	Diesel	644	1370	
J8S 712	86.00	2068	4	Diesel	638	1366	
J8S 714	86.00	2068	4	Diesel	645	1375	
J8S 736	86.00	2068	4	Diesel	646	1374	
J8S 738	86.00	2068	4	Diesel	638	1376	
J8S 740	86.00	2068	4	Diesel	638	1362	
J8S 742	86.00	2068	4	Diesel	639	1364	
J8S 746	86.00	2068	4	Diesel	639	1364	
J8S 750	86.00	2068	4	Diesel	647	1377	
J8S 758	86.00	2068	4	Diesel	648	1362	
J8S 760	86.00	2068	4	Diesel	648	1378	
J8S 772	86.00	2068	4	Diesel	641	1379	
J8S 774	86.00	2068	4	Diesel	638	1365	
J8S 776	86.00	2068	4	Diesel	641	1379	
J8S 778	86.00	2068	4	Diesel	641	1380	
J8S 784	86.00	2068	4	Diesel	638	1373	
J8S 786	86.00	2068	4	Diesel	649	1367	
J8S 788	86.00	2068	4	Diesel	649	1376	
J8S 800	86.00	2068	4	Diesel		1371	
J8S 814	86.00	2068	4	Diesel	637	1364	
J8S 890	86.00	2068	4	Diesel	637	1364	
K1B	75.00	1360	4	Petrol	58	828	
K1F	75.00	1360	4	Petrol	59	829	
K1G	75.00	1360	4	Petrol	60	830	
K2A	75.00	1360	4	Petrol	61	831	
K2D	75.00	1360	4	Petrol	58	828	
K3A	75.00	1360	4	Petrol	62	832	
K4J 700	79.50	1390	4	Petrol	458	1226	
K4J 710 Euro 4	79.50	1390	4	Petrol	459	1226	
K4J 711 Euro 4	79.50	1390	4	Petrol	459	1226	
K4J 712	79.50	1390	4	Petrol	459	1226	
K4J 713	79.50	1390	4	Petrol	459	1226	
K4J 714	79.50	1390	4	Petrol	459	1226	
K4J 715	79.50	1390	4	Petrol	460	1227	
K4J 718	79.50	1390	4	Petrol	461	1228	
K4J 730	79.50	1390	4	Petrol	459	1226	
K4J 732	79.50	1390	4	Petrol	459	1226	
K4J 740	79.50	1390	4	Petrol	462	1229	
K4J 750	79.50	1390	4	Petrol	459	1226	
K4J 770	79.50	1390	4	Petrol	459	1226	
K4J 780	79.50	1390	4	Petrol	463	1226	
K4J D 729	79.50	1390	4	Petrol	461	1228	
K4J D 740	79.50	1390	4	Petrol	464	1230	
K4M 606	79.50	1598	4	Petrol	468	1233	
K4M 616	79.50	1598	4	Petrol	469	1233	







		ccm	X 			9	
K4M 690	79.50	1598	4	Petrol	470		1234
K4M 690	79.50	1598	4	Petrol	471		1234
K4M 694	79.50	1598	4	Petrol	472		1229
K4M 696	79.50	1598	4	Petrol	473		1229
K4M 697	79.50	1598	4	Petrol	468		1234
K4M 698	79.50	1598	4	Petrol	474		1234
K4M 700	79.50	1598	4	Petrol	475		1235
K4M 701	79.50	1598	4	Petrol	475		1235
K4M 704	79.50	1598	4	Petrol	475		1235
K4M 706	79.50	1598	4	Petrol	472		1234
K4M 707	79.50	1598	4	Petrol			1233
K4M 708	79.50	1598	4	Petrol	476		1235
K4M 709	79.50	1598	4	Petrol	477		1236
K4M 710	79.50	1598	4	Petrol	471		1235
K4M 711	79.50	1598	4	Petrol	478		1235
K4M 712	79.50	1598	4	Petrol	479		1234
K4M 714	79.50	1598	4	Petrol	475		1235
K4M 716	79.50	1598	4	Petrol	480		1235
K4M 718	79.50	1598	4	Petrol	472		1233
K4M 720	79.50	1598	4	Petrol	475		1235
K4M 724	79.50	1598	4	Petrol	478		1235
K4M 730	79.50	1598	4	Petrol	479		1234
K4M 732	79.50	1598	4	Petrol	481		1236
K4M 734	79.50	1598	4	Petrol	481		1236
K4M 736	79.50	1598	4	Petrol	479		1234
K4M 740	79.50	1598	4	Petrol	482		1235
K4M 742	79.50	1598	4	Petrol	482		1235
K4M 743	79.50	1598	4	Petrol	482		1235
K4M 744 Euro 4	79.50	1598	4	Petrol	476		1235
K4M 745	79.50	1598	4	Petrol	476		1235
K4M 746	79.50	1598	4	Petrol	483		1237
K4M 748	79.50	1598	4	Petrol	476		1235
K4M 750	79.50	1598	4	Petrol	475		1238
K4M 752	79.50	1598	4	Petrol	475		1235
K4M 753	79.50	1598	4	Petrol	475		1239
K4M 754	79.50	1598	4	Petrol	484		1240
K4M 760	79.50	1598	4	Petrol	485		1235
K4M 761	79.50	1598	4	Petrol	485		1238
K4M 762	79.50	1598	4	Petrol	486		1233
K4M 764	79.50	1598	4	Petrol	487		1237
K4M 766	79.50	1598	4	Petrol			1233
K4M 768	79.50	1598	4	Petrol	472		1233
K4M 776	79.50	1598	4	Petrol			1233
K4M 782	79.50	1598	4	Petrol	488		1238
K4M 788	79.50	1598	4	Petrol	480		1233
K4M 790	79.50	1598	4	Petrol	489		1241
K4M 791	79.50	1598	4	Petrol	489		1242
K4M 792	79.50	1598	4	Petrol	490		1233
K4M 794	79.50	1598	4	Petrol	491		1233
K4M 8 788	79.50	1598	4	Petrol			1233
K4M 800	79.50	1598	4	Petrol	489		1243
K4M 801	79.50	1598	4	Petrol	492		1243
K4M 804	79.50	1598	4	Petrol	489		1243
K4M 812	79.50	1598	4	Petrol	493		1233
K4M 813	79.50	1598	4	Petrol	494		1233
K4M 824 Euro 4	79.50	1598	4	Petrol	468		1233
K4M 830 Euro 4	79.50	1598	4	Petrol	468		1244
K4M 831 Euro 4	79.50	1598	4	Petrol	469		1244
K4M 834 Euro 4	79.50	1598	4	Petrol	468		1244
K4M 838	79.50	1598	4	Petrol	468		1233
K4M 839	79.50	1598	4	Petrol	468		1233
K4M 848 Euro 4	79.50	1598	4	Petrol	469		1233
K4M 850	79.50	1598	4	Petrol	469		1233
K4M 854 Euro 4	79.50	1598	4	Petrol	468		1233
K4M 856 Euro 4	79.50	1598	4	Petrol			1233
K4M 858 Euro 4	79.50	1598	4	Petrol	495		1233
K4M 862 Euro 4	79.50	1598	4	Petrol	468		1233
K4M 866	79.50	1598	4	Petrol	495		1233
K4M 9 766	79.50	1598	4	Petrol	468		1233
K4M C 812	79.50	1598	4	Petrol	496		1233
K4M C 813	79.50	1598	4	Petrol	497		1233
K4M D 812	79.50	1598	4	Petrol	497		1229
K4M D 813	79.50	1598	4	Petrol			1233
K4M P 848	79.50	1598	4	Petrol	468		1233
K4M R 858	79.50	1598	4	Petrol			1233
K4M T 782	79.50	1598	4	Petrol			1233
K4M T 866	79.50	1598	4	Petrol			1233
K4M W 761	79.50	1598	4	Petrol			1233







		ccm	X 			9	
K7J 700	75.80	1390	4	Petrol	408	1165	
K7J 701	75.80	1390	4	Petrol	408	1165	
K7J 710	79.50	1390	4	Petrol	465	1231	
K7J 710	79.50	1390	4	Petrol	465	1232	
K7J 714	79.50	1390	4	Petrol	466	1232	
K7J 714	79.50	1390	4	Petrol	467	1231	
K7M 690	79.50	1598	4	Petrol	498	1245	
K7M 690	79.50	1598	4	Petrol	499	1245	
K7M 702	79.50	1598	4	Petrol	500	1246	
K7M 703	79.50	1598	4	Petrol	500	1246	
K7M 704	79.50	1598	4	Petrol	501	1245	
K7M 710	79.50	1598	4	Petrol	502	1247	
K7M 710	79.50	1598	4	Petrol	502	1248	
K7M 718 Euro 4	79.50	1598	4	Petrol	503	1245	
K7M 720	79.50	1598	4	Petrol	504	1249	
K7M 732 Euro 4	79.50	1598	4	Petrol	498	1245	
K7M 734	79.50	1598	4	Petrol		1245	
K7M 744	79.50	1598	4	Petrol	505	1249	
K7M 745	79.50	1598	4	Petrol	505	1249	
K7M 746	79.50	1598	4	Petrol	506	1246	
K7M 750	79.50	1598	4	Petrol	503	1250	
K7M 790	79.50	1598	4	Petrol	500	1246	
K7M 800	79.50	1598	4	Petrol	507	1245	
K7MA8	79.50	1598	4	Petrol	469	1245	
K9K 276	76.00	1461	4	Diesel		1191	
K9K 608	76.00	1461	4	Diesel	427	1192	
K9K 612	76.00	1461	4	Diesel	427	1192	
K9K 612	76.00	1461	4	Diesel	428	1191	
K9K 636	76.00	1461	4	Diesel	428	1192	
K9K 700 Euro 3	76.00	1461	4	Diesel	429	1193	
K9K 702 Euro 3	76.00	1461	4	Diesel	429	1193	
K9K 704 Euro 3	76.00	1461	4	Diesel	429	1193	
K9K 706	76.00	1461	4	Diesel	430	1194	
K9K 708	76.00	1461	4	Diesel		1195	
K9K 710 Euro 3	76.00	1461	4	Diesel	429	1193	
K9K 712 Euro 3	76.00	1461	4	Diesel	429	1196	
K9K 714 Euro 4	76.00	1461	4	Diesel	429	1197	
K9K 716	76.00	1461	4	Diesel	431	1198	
K9K 718 Euro 4	76.00	1461	4	Diesel	432	1196	
K9K 722 Euro 3	76.00	1461	4	Diesel	429	1194	
K9K 724 Euro 4	76.00	1461	4	Diesel	433	1196	
K9K 728 Euro 3	76.00	1461	4	Diesel	434	1196	
K9K 729 Euro 3	76.00	1461	4	Diesel	434	1196	
K9K 732 Euro 4	76.00	1461	4	Diesel	435	1199	
K9K 734	76.00	1461	4	Diesel	435	1191	
K9K 740 Euro 4	76.00	1461	4	Diesel	436	1197	
K9K 750 Euro 3	76.00	1461	4	Diesel	432	1193	
K9K 752 Euro 3	76.00	1461	4	Diesel	434	1193	
K9K 760 Euro 4	76.00	1461	4	Diesel	436	1196	
K9K 762 Euro 4	76.00	1461	4	Diesel	436	1197	
K9K 764 Euro 4	76.00	1461	4	Diesel	437	1199	
K9K 766 Euro 4	76.00	1461	4	Diesel	429	1196	
K9K 768 Euro 4	76.00	1461	4	Diesel	433	1197	
K9K 770	76.00	1461	4	Diesel	436	1200	
K9K 772	76.00	1461	4	Diesel	436	1198	
K9K 780 Euro 4	76.00	1461	4	Diesel	435	1199	
K9K 782	76.00	1461	4	Diesel		1201	
K9K 790	76.00	1461	4	Diesel	434	1194	
K9K 790	76.00	1461	4	Diesel	438	1194	
K9K 792	76.00	1461	4	Diesel	433	1197	
K9K 792 Euro 4	76.00	1461	4	Diesel	433	1197	
K9K 794	76.00	1461	4	Diesel	430	1195	
K9K 796	76.00	1461	4	Diesel	434	1202	
K9K 796	76.00	1461	4	Diesel	434	1203	
K9K 800	76.00	1461	4	Diesel	439	1198	
K9K 802 Euro 4	76.00	1461	4	Diesel	439	1196	
K9K 804 Euro 4	76.00	1461	4	Diesel	439	1199	
K9K 806 Euro 4 FAP	76.00	1461	4	Diesel	439	1199	
K9K 808	76.00	1461	4	Diesel	439	1200	
K9K 812	76.00	1461	4	Diesel	440	1192	
K9K 820	76.00	1461	4	Diesel	430	1192	
K9K 830	76.00	1461	4	Diesel	441	1192	
K9K 832 Euro 4	76.00	1461	4	Diesel	442	1204	
K9K 834	76.00	1461	4	Diesel	443	1201	
K9K 836	76.00	1461	4	Diesel	442	1201	
K9K 837 Euro 5	76.00	1461	4	Diesel	444	1192	
K9K 840	76.00	1461	4	Diesel		1192	
K9K 846 Euro 5	76.00	1461	4	Diesel	442	1192	







		ccm	X 			9	
K9K 884	76.00	1461	4	Diesel	445		1192
K9K 892	76.00	1461	4	Diesel	446		1205
K9K 894	76.00	1461	4	Diesel	446		1205
K9K 896	76.00	1461	4	Diesel	446		1205
K9K 898	76.00	1461	4	Diesel	446		1205
K9K F 830	76.00	1461	4	Diesel	430		1192
K9K G 724	76.00	1461	4	Diesel	447		1196
K9K G 832	76.00	1461	4	Diesel	442		1192
K9K H 834	76.00	1461	4	Diesel	448		1201
K9K J 836	76.00	1461	4	Diesel	443		1201
K9K N 837	76.00	1461	4	Diesel	449		1192
K9K P 732	76.00	1461	4	Diesel	435		1199
KAZ	75.00	1360	4	Petrol	63		828
KF5	84.00	1796	4	Petrol	213		958
KF6	84.00	1796	4	Petrol	214		959
L7X 700	87.00	2946	V6	Petrol	663		1388
L7X 701	87.00	2946	V6	Petrol	663		1388
L7X 713	87.00	2946	V6	Petrol	664		1389
L7X 720	87.00	2946	6	Petrol	661		1387
L7X 721	87.00	2946	6	Petrol	661		1387
L7X 722	87.00	2946	6	Petrol	662		1387
L7X 727	87.00	2946	V6	Petrol	663		1387
L7X 731	87.00	2946	V6	Petrol	661		1387
L7X 732	87.00	2946	V6	Petrol	665		1387
L7X 733	87.00	2946	V6	Petrol	666		1387
L7X 760	87.00	2946	V6	Petrol	661		1387
L7X 762	87.00	2946	V6	Petrol	661		1390
M20-616	86.00	1985	4	Petrol	251		1003
M22-617	90.00	2175	4	Petrol	305		1055
M22-621	90.00	2175	4	Diesel	307		1058
M22-629	93.00	2500	4	Diesel			1074
M23-622	93.50	2347	4	Petrol	327		1082
M23-623	93.50	2347	4	Petrol	328		1082
M23-639	93.50	2347	4	Petrol	328		1083
M25-629	93.00	2500	4	Diesel	323		1075
M25-637	93.00	2500	4	Diesel			1074
M25-648	93.00	2500	4	Diesel	324		1076
M25-659	93.00	2500	4	Petrol	316		1068
M25-660	93.00	2500	4	Diesel	325		1077
M25-661	93.00	2500	4	Diesel			1074
M25-662	93.00	2500	4	Petrol	316		1068
M25-667	93.00	2500	4	Petrol	316		1068
M25-668	93.00	2500	4	Petrol	316		1068
M25-669	93.00	2500	4	Diesel	322		1078
M28 (AM2)	74.00	602	2	Petrol			811
M28/1 (AK2)	74.00	602	2	Petrol			811
M4 (AM)	74.00	602	2	Petrol	37		810
M4A	75.00	1294	4	Petrol	44		818
M4R 700 Euro 4	84.00	1997	4	Petrol	628		
M4R 701 Euro 4	84.00	1997	4	Petrol	628		
M4R 704 Euro 4	84.00	1997	4	Petrol	628		
M4R 711 Euro 4	84.00	1997	4	Petrol	628		
M4R 713 Euro 4	84.00	1997	4	Petrol	629		
M4R 726 Euro 4	84.00	1997	4	Petrol	629		
M705	82.60	1930	4	Diesel	148		
M9R 610	84.00	1995	4	Diesel	622		1354
M9R 615	84.00	1995	4	Diesel	622		1354
M9R 630	84.00	1995	4	Diesel			1355
M9R 692 Euro 5	84.00	1995	4	Diesel			1355
M9R 700	84.00	1995	4	Diesel	623		1356
M9R 721	84.00	1995	4	Diesel	623		1356
M9R 722	84.00	1995	4	Diesel	623		1356
M9R 724	84.00	1995	4	Diesel	622		1356
M9R 740	84.00	1995	4	Diesel	623		1356
M9R 742	84.00	1995	4	Diesel	622		1356
M9R 744	84.00	1995	4	Diesel	622		1356
M9R 746	84.00	1995	4	Diesel	624		1356
M9R 748	84.00	1995	4	Diesel	624		1356
M9R 750	84.00	1995	4	Diesel	623		1356
M9R 760	84.00	1995	4	Diesel	622		1356
M9R 761	84.00	1995	4	Diesel	622		1356
M9R 762	84.00	1995	4	Diesel	622		1356
M9R 763	84.00	1995	4	Diesel	622		1356
M9R 780 Euro 4	84.00	1995	4	Diesel	623		1356
M9R 782	84.00	1995	4	Diesel	623		1356
M9R 784	84.00	1995	4	Diesel	624		1355
M9R 786 Euro 4	84.00	1995	4	Diesel	625		1356
M9R 788	84.00	1995	4	Diesel			1355

		ccm					9
M9R 800	84.00	1995	4	Diesel	622	1356	
M9R 802	84.00	1995	4	Diesel	622	1356	
M9R 804	84.00	1995	4	Diesel	625	1355	
M9R 805 Euro 4	84.00	1995	4	Diesel	622	1355	
M9R 809	84.00	1995	4	Diesel	622	1356	
M9R 814	84.00	1995	4	Diesel	625	1355	
M9R 815	84.00	1995	4	Diesel	626	1355	
M9R 816	84.00	1995	4	Diesel	622	1356	
M9R 817	84.00	1995	4	Diesel	625	1355	
M9R 820	84.00	1995	4	Diesel	625	1355	
M9R 824	84.00	1995	4	Diesel	625	1355	
M9R 830	84.00	1995	4	Diesel	622	1356	
M9R 832	84.00	1995	4	Diesel	624	1354	
M9R 833	84.00	1995	4	Diesel	624	1355	
M9R 844	84.00	1995	4	Diesel	625	1355	
M9R 845	84.00	1995	4	Diesel		1355	
M9R 846	84.00	1995	4	Diesel	625	1355	
M9R 849	84.00	1995	4	Diesel		1355	
M9R 855	84.00	1995	4	Diesel	625	1355	
M9R 856	84.00	1995	4	Diesel	625	1355	
M9R 862	84.00	1995	4	Diesel	625	1355	
M9R 864	84.00	1995	4	Diesel		1355	
M9R 865	84.00	1995	4	Diesel	625	1355	
M9R 866	84.00	1995	4	Diesel	625	1355	
M9R A 700 Euro 4	84.00	1995	4	Diesel		1357	
M9R B 610	84.00	1995	4	Diesel		1358	
M9R B 721 Euro 4	84.00	1995	4	Diesel		1357	
M9R C 613	84.00	1995	4	Diesel		1358	
M9R C 615	84.00	1995	4	Diesel		1358	
M9R C 830	84.00	1995	4	Diesel		1358	
M9R D 833	84.00	1995	4	Diesel		1358	
M9R G 832	84.00	1995	4	Diesel		1358	
M9Ra 742 Euro 4	84.00	1995	4	Diesel	627	1354	
M9Rk 800 Euro 4	84.00	1995	4	Diesel		1358	
M9Rk 802 Euro 4	84.00	1995	4	Diesel		1358	
M9Rk 805 Euro 4	84.00	1995	4	Diesel		1358	
M9Rk 806 Euro 4	84.00	1995	4	Diesel		1358	
M9Rk 816 Euro 4	84.00	1995	4	Diesel		1358	
M9T 670 Euro 5	85.00	2298	4	Diesel	631	1359	
M9T 672 Euro 5	85.00	2298	4	Diesel	631	1359	
M9T 676 Euro 4	85.00	2298	4	Diesel	631	1359	
M9T 678	85.00	2298	4	Diesel	631	1359	
M9T 680	85.00	2298	4	Diesel	631	1359	
M9T 686 Euro 5	85.00	2298	4	Diesel	631	1359	
M9T 690 Euro 5	85.00	2298	4	Diesel	631	1359	
M9T 692 Euro 4	85.00	2298	4	Diesel	631	1359	
M9T 694 Euro 4	85.00	2298	4	Diesel	631	1359	
M9T 696 Euro 4	85.00	2298	4	Diesel	631	1359	
M9T 698 Euro 5	85.00	2298	4	Diesel	631	1359	
N7Q 700	83.00	1948	4	Petrol	619	1351	
N7Q 704	83.00	1948	4	Petrol	619	1351	
N7Q 710	83.00	1948	4	Petrol	620	1352	
N7Q 711	83.00	1948	4	Petrol	620	1352	
N7U 700	83.00	2435	5	Petrol	621	1353	
N7U 701	83.00	2435	5	Petrol	621	1353	
NFT	78.50	1587	4	Petrol	123	878	
P22DTE (4HU) Euro 4	86.00	2198	4	Diesel	273	1020	
P22DTE (4HV) Euro 4	86.00	2198	4	Diesel	274	1021	
P9X 701	87.50	2958	V6	Diesel	667	1391	
P9X 715 Euro 4	87.50	2958	V6	Diesel	668		
R06 627	74.00	602	2	Petrol	36	808	
R6A	86.00	1998	4	Petrol	252	1005	
S8U 720	93.00	2445	4	Diesel	721	1442	
S8U 722	93.00	2445	4	Diesel	721	1442	
S8U 730	93.00	2445	4	Diesel	722	1445	
S8U 731	93.00	2445	4	Diesel	723	1442	
S8U 742	93.00	2500	4	Diesel	742	1472	
S8U 748	93.00	2445	4	Diesel	724	1446	
S8U 750	93.00	2500	4	Diesel	743	1464	
S8U 752	93.00	2500	4	Diesel	743	1464	
S8U 758	93.00	2500	4	Diesel	744	1473	
S8U 762	93.00	2500	4	Diesel	745	1474	
S8U 763	93.00	2500	4	Diesel	746	1474	
S8U 770	93.00	2500	4	Diesel	747	1475	
S8U 772	93.00	2500	4	Diesel	748	1453	
S8U 780	93.00	2500	4	Diesel	749	1476	
S8U 782	93.00	2500	4	Diesel	750	1477	
S9U 700	93.00	2500	4	Diesel	751	1478	

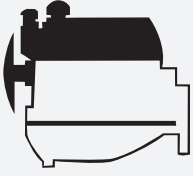
		ccm	X 			9	
S9U 702	93.00	2500	4	Diesel	752		1452
S9U 704	93.00	2500	4	Diesel	751		1457
S9U 714	93.00	2500	4	Diesel	752		1479
S9U 740	93.00	2500	4	Diesel	753		1480
S9W 700	94.40	2800	4	Diesel	768		1494
S9W 702	94.40	2800	4	Diesel	769		1495
TU1 (H1B)	72.00	1124	4	Petrol	21		794
TU1 (H1B)	72.00	1124	4	Petrol	21		795
TU1A (HFX)	72.00	1124	4	Petrol	22		796
TU1AE5	72.00	1124	4	Petrol	23		797
TU1CP (HAZ)	72.00	1124	4	Petrol	20		794
TU1JP (HFX)	72.00	1124	4	Petrol	24		798
TU1JP (HFX)	72.00	1124	4	Petrol	25		798
TU1JP (HFZ)	72.00	1124	4	Petrol	26		799
TU1M (HDY)	72.00	1124	4	Petrol	27		795
TU1M (HDZ)	72.00	1124	4	Petrol	28		794
TU1M (HDZ)	72.00	1124	4	Petrol	28		795
TU1M+ (HDY)	72.00	1124	4	Petrol			800
TU1M+ (HDZ)	72.00	1124	4	Petrol			800
TU24	75.00	1294	4	Petrol	46		820
TU2J2	75.00	1294	4	Petrol	45		819
TU3 (K5A)	75.00	1360	4	Petrol	64		833
TU32	75.00	1360	4	Petrol	83		850
TU3A (K1D)	75.00	1361	4	Petrol	85		829
TU3A (K1H)	75.00	1360	4	Petrol	65		828
TU3A (K6D)	75.00	1360	4	Petrol			834
TU3A (K6E)	75.00	1360	4	Petrol			834
TU3A (K6F)	75.00	1360	4	Petrol			834
TU3A (KFT)	75.00	1360	4	Petrol	66		835
TU3A (KFT)	75.00	1360	4	Petrol	66		836
TU3A (KFV)	75.00	1360	4	Petrol	67		836
TU3A (KFW)	75.00	1360	4	Petrol	68		837
TU3A (KFW)	75.00	1360	4	Petrol	69		838
TU3A (KFX)	75.00	1360	4	Petrol			839
TU3CP (KAY)	75.00	1360	4	Petrol	70		829
TU3CP (KAY)	75.00	1361	4	Petrol	86		852
TU3FJ2 (KFY)	75.00	1360	4	Petrol	71		840
TU3FJ2 (KFZ)	75.00	1360	4	Petrol	72		840
TU3FM (KDY)	75.00	1360	4	Petrol	73		841
TU3J2/Z (KFZ)	75.00	1360	4	Petrol	74		842
TU3JP (KFV)	75.00	1360	4	Petrol	75		843
TU3JP (KFV)	75.00	1360	4	Petrol	75		844
TU3JP (KFW)	75.00	1360	4	Petrol	76		845
TU3JP (KFX)	75.00	1360	4	Petrol	77		846
TU3JP4	75.00	1360	4	Petrol			847
TU3M (KDY)	75.00	1360	4	Petrol	78		829
TU3M (KDY)	75.00	1361	4	Petrol	87		853
TU3M (KDZ)	75.00	1361	4	Petrol	88		854
TU3M/Z (KDX)	75.00	1360	4	Petrol	79		848
TU3M/Z (KDZ)	75.00	1360	4	Petrol	80		829
TU3MC (KDX)	75.00	1361	4	Petrol	89		854
TU3S (K2B)	75.00	1360	4	Petrol	81		849
TU3S (K2B)	75.00	1360	4	Petrol	82		849
TU5J2 (NFW)	78.50	1587	4	Petrol	124		879
TU5J2 (NFY)	78.50	1587	4	Petrol	125		880
TU5J4 (NFX)	78.50	1587	4	Petrol	126		881
TU5JP (NFV)	78.50	1587	4	Petrol	127		882
TU5JP (NFZ)	78.50	1587	4	Petrol	125		883
TU5JP (NFZ)	78.50	1587	4	Petrol	125		884
TU5JP4 (N6A)	78.50	1587	4	Petrol	128		885
TU5JP4 (N6A)	78.50	1587	4	Petrol	128		886
TU5JP4 (NFU)	78.50	1587	4	Petrol	129		887
TU5JP4 (NFX)	78.50	1587	4	Petrol	130		888
TU5JP4B (NFR)	78.50	1587	4	Petrol	131		889
TU5JP4S (NFS)	78.50	1587	4	Petrol	132		890
TU9	70.00	954	4	Petrol	7		780
TU9	70.00	954	4	Petrol	7		781
TU9K	70.00	954	4	Petrol	5		779
TU9M (CDY)	70.00	954	4	Petrol	9		780
TU9M (CDY)	70.00	954	4	Petrol	9		781
TU9M (CDZ)	70.00	954	4	Petrol	9		780
TU9M (CDZ)	70.00	954	4	Petrol	9		781
TUD3 (K9A)	75.00	1360	4	Diesel	84		851
TUD3Y (K9Y)	75.00	1360	4	Diesel	84		851
TUD3Y (K9Y)	75.00	1361	4	Diesel	84		855
TUD5 (VJX)	77.00	1527	4	Diesel	107		870
TUD5 (VJY)	77.00	1527	4	Diesel	108		870
TUD5 (VJZ)	77.00	1527	4	Diesel	109		870

		ccm	X 			9	
V06 630		77.00	652	2	Petrol	101	868
V06 644		77.00	652	2	Petrol	101	868
V06/665		77.00	652	2	Petrol	100	867
V4Y 701		95.50	3498	V6	Petrol	770	1496
V4Y 711		95.50	3498	V6	Petrol	770	1496
V4Y 713 Euro 4		95.50	3498	V6	Petrol	771	
V4Y 715 Euro 4		95.50	3498	V6	Petrol	772	1496
V9X 891		84.00	2992	V6	Diesel	630	
X5J		75.00	1360	4	Petrol	389	1149
XB5		80.00	1468	4	Petrol		892
XB5P		80.00	1468	4	Petrol	133	893
XC5P 3rd Series		84.00	1618	4	Petrol	210	954
XC6		84.00	1618	4	Petrol	211	955
XC7		84.00	1618	4	Petrol		956
XC7P		84.00	1618	4	Petrol	212	957
XD 88		88.00	1948	4	Diesel		1032
XD2		94.00	2304	4	Diesel	329	1084
XD2 (134)		94.00	2304	4	Diesel	330	1085
XD2P94		94.00	2304	4	Diesel	331	1086
XD2PX94		94.00	2304	4	Diesel	331	1087
XD2S		94.00	2304	4	Diesel	332	1088
XD2S (147)		94.00	2304	4	Diesel	333	1089
XD3 (155)		94.00	2498	4	Diesel	337	1093
XD3P		94.00	2498	4	Diesel	338	1093
XD3T		94.00	2498	4	Diesel	339	1094
XD3T (152A)		94.00	2498	4	Diesel	339	1094
XD3TE		94.00	2498	4	Diesel	340	1095
XD3TE (152B)		94.00	2498	4	Diesel	341	1096
XD4x88		88.00	1948	4	Diesel	286	1031
XD4x90		90.00	2112	4	Diesel	302	1050
XD90		90.00	2112	4	Diesel		1051
XDP 4.88		88.00	1948	4	Diesel	287	1033
XDP 4.90		90.00	2112	4	Diesel		1052
XDP 6.90		90.00	3168	6	Diesel		1059
XDP85		85.00	1816	4	Diesel	219	967
XDP88		88.00	1948	4	Diesel	288	1034
XDP90		90.00	2112	4	Diesel	303	1053
XDPX90		90.00	2112	4	Diesel	304	1054
XID (149)		80.00	1548	4	Diesel	134	894
XK		75.00	1130	4	Petrol	41	
XK4		75.00	1130	4	Petrol	42	815
XK5		78.00	1127	4	Petrol	119	872
XL3		76.00	1290	4	Petrol	97	864
XL3S		76.00	1290	4	Petrol	97	864
XL4D		78.00	1357	4	Diesel	121	875
XL5		78.00	1290	4	Petrol	119	874
XL5 (118)		78.00	1290	4	Petrol	120	874
XL5S		78.00	1290	4	Petrol	119	874
XLD		78.00	1225	4	Diesel		873
XM		84.00	1796	4	Petrol	214	959
XM7		84.00	1796	4	Petrol	215	960
XM7 (105)		84.00	1796	4	Petrol	215	961
XM7A (105C)		84.00	1796	4	Petrol	215	962
XM7P		84.00	1796	4	Petrol	215	963
XM7T (169)		84.00	1796	4	Petrol	216	964
XM7T (169B)		84.00	1796	4	Petrol		965
XM7T (169B)		84.00	1796	4	Petrol	217	964
XN1		88.00	1971	4	Petrol	289	1035
XN1 (106)		88.00	1971	4	Petrol	290	1036
XN1A (106E)		88.00	1971	4	Petrol	290	1037
XN1P		88.00	1971	4	Petrol	291	1036
XN1T		88.00	1971	4	Petrol		1038
XN1T (170)		88.00	1971	4	Petrol	292	1039
XN1T (170A)		88.00	1971	4	Petrol	292	1040
XN1T (170B)		88.00	1971	4	Petrol	292	1040
XN1T (170C)		88.00	1971	4	Petrol	292	1039
XN1TA		88.00	1971	4	Petrol		1038
XN1TA (170C)		88.00	1971	4	Petrol		1041
XN1TACP (170D)		88.00	1971	4	Petrol	293	1042
XN2 (107)		88.00	1971	4	Petrol	294	1043
XR5 (142)		78.00	1472	4	Petrol	122	876
XR5A (142)		78.00	1472	4	Petrol	122	877
XR5S (117)		78.00	1472	4	Petrol	122	876
XU102C		86.00	1998	4	Petrol	271	1018
XU102C (R5A)		86.00	1998	4	Petrol	271	1012
XU10J2		86.00	1998	4	Petrol	253	1006
XU10J2 (RFU)		86.00	1998	4	Petrol	254	1007
XU10J2 (RFW)		86.00	1998	4	Petrol	255	1007

		ccm	X				9	
XU10J2 (RFX)	86.00	1998	4	Petrol	256	1008		
XU10J2 (RFZ)	86.00	1998	4	Petrol	257	1008		
XU10J2/C (RFU)	86.00	1998	4	Petrol	254	1007		
XU10J2C (RFX)	86.00	1998	4	Petrol	256	1008		
XU10J2C/Z L3 (RFX)	86.00	1998	4	Petrol	252	1008		
XU10J2TE (RGX)	86.00	1998	4	Petrol	258	1009		
XU10J2TE (RGX)	86.00	1998	4	Petrol	258	1010		
XU10J2TE (RGY)	86.00	1998	4	Petrol	259	1010		
XU10J2TE/Z (RGY)	86.00	1998	4	Petrol	260	1009		
XU10J2U (RFL)	86.00	1998	4	Petrol	261	1011		
XU10J2U (RFW)	86.00	1998	4	Petrol	253	1007		
XU10J2Z (RFZ)	86.00	1998	4	Petrol	262	1012		
XU10J4 (RFT)	86.00	1998	4	Petrol	263	1013		
XU10J4/Z (RFT)	86.00	1998	4	Petrol	264	1012		
XU10J4/Z (RFY)	86.00	1998	4	Petrol	265	1012		
XU10J4R (RFV)	86.00	1998	4	Petrol	266	1014		
XU10J4RS (RFS)	86.00	1998	4	Petrol	267	1015		
XU10J4TE/Z (RGZ)	86.00	1998	4	Petrol	268	1016		
XU10J4Z (RFY)	86.00	1998	4	Petrol	269	1012		
XU10MZ (RDZ)	86.00	1998	4	Petrol	270	1017		
XU51C (B1A)	83.00	1580	4	Petrol	167	923		
XU51C (B1D)	83.00	1580	4	Petrol	168	924		
XU51C (B1E)	83.00	1580	4	Petrol	169	915		
XU51C (B1E)	83.00	1580	4	Petrol	170	915		
XU51C/K (B1A)	83.00	1580	4	Petrol	171	920		
XU52C	83.00	1580	4	Petrol	172	925		
XU52C/K (B2A)	83.00	1580	4	Petrol	173	915		
XU5CP (BAY)	83.00	1580	4	Petrol	157	913		
XU5CP (BAZ)	83.00	1580	4	Petrol	157	914		
XU5CP (BAZ)	83.00	1580	4	Petrol	157	915		
XU5J (180A)	83.00	1580	4	Petrol	158	916		
XU5J (180A)	83.00	1580	4	Petrol	158	917		
XU5J (180Z)	83.00	1580	4	Petrol	159	916		
XU5J (180Z)	83.00	1580	4	Petrol	159	918		
XU5J (B6B)	83.00	1580	4	Petrol	160	916		
XU5JP (BFZ)	83.00	1580	4	Petrol	161	920		
XU5JP (BFZ)	83.00	1580	4	Petrol	162	919		
XU5M (BDY)	83.00	1580	4	Petrol	163	921		
XU5M (BDZ)	83.00	1580	4	Petrol	164	921		
XU5M (BDZ)	83.00	1580	4	Petrol	164	922		
XU5M2Z (BDY)	83.00	1580	4	Petrol	165	921		
XU5M3Z (BDY)	83.00	1580	4	Petrol	165	921		
XU5S (171)	83.00	1580	4	Petrol	166	923		
XU7JB (LFX)	83.00	1761	4	Petrol	174	926		
XU7JB (LFX)	83.00	1761	4	Petrol	174	927		
XU7JP (LFW)	83.00	1761	4	Petrol	175	928		
XU7JP (LFZ)	83.00	1761	4	Petrol	176	928		
XU7JP (LFZ)	83.00	1761	4	Petrol	176	929		
XU7JP4 (LFY)	83.00	1761	4	Petrol	177	930		
XU92C (D2A)	83.00	1905	4	Petrol	181	942		
XU92C (D2A)	83.00	1905	4	Petrol	181	943		
XU92C (D2C)	83.00	1905	4	Petrol	188	943		
XU9J1 (DFZ)	83.00	1905	4	Petrol	181	935		
XU9J2 (D6A)	83.00	1905	4	Petrol	181	935		
XU9J2 (D6A)	83.00	1905	4	Petrol	181	936		
XU9J4 (D6C)	83.00	1905	4	Petrol	182	937		
XU9J4 (D6C)	83.00	1905	4	Petrol	183	937		
XU9J4 (DFW)	83.00	1905	4	Petrol	184	937		
XU9J4Z (DFW)	83.00	1905	4	Petrol	185	937		
XU9JA (D6B)	83.00	1905	4	Petrol	186	935		
XU9JA (D6E)	83.00	1905	4	Petrol	179	938		
XU9JA (DKZ)	83.00	1905	4	Petrol	187	939		
XU9JAZ (DKZ)	83.00	1905	4	Petrol	187	936		
XU9M (DDZ)	83.00	1905	4	Petrol	181	936		
XU9M (DDZ)	83.00	1905	4	Petrol	181	940		
XU9S (159)	83.00	1905	4	Petrol	188	941		
XU9S (D2B)	83.00	1905	4	Petrol	189	941		
XUD11A (P9A)	86.00	2138	4	Diesel	272	1019		
XUD11ATE (P8A)	85.00	2088	4	Diesel	241	988		
XUD11ATE (PHZ)	85.00	2088	4	Diesel	241	988		
XUD11ATE (PHZ)	85.00	2088	4	Diesel	242	989		
XUD11ATE (PJZ)	85.00	2088	4	Diesel	241	988		
XUD11BTE (P8C)	85.00	2088	4	Diesel	243	990		
XUD7 (161)	80.00	1769	4	Diesel	135	895		
XUD7 (161)	80.00	1769	4	Diesel	136	896		
XUD7 (161A)	80.00	1769	4	Diesel	137	895		
XUD7 (161A)	80.00	1769	4	Diesel	137	897		
XUD7 (A9A)	80.00	1769	4	Diesel	137	898		

		ccm	X 			9	
XUD7 (A9A)	80.00	1769	4	Diesel	137		899
XUD7T	80.00	1769	4	Diesel	138		900
XUD7TE (A8A)	80.00	1769	4	Diesel	139		900
XUD7TE (A8B)	80.00	1769	4	Diesel	139		900
XUD7TE (AJZ)	80.00	1769	4	Diesel	139		900
XUD7TEY (AJZ)	80.00	1769	4	Diesel	140		900
XUD9	83.00	1905	4	Diesel	190		944
XUD9 (162)	83.00	1905	4	Diesel	191		945
XUD9 (D9A)	83.00	1905	4	Diesel	191		945
XUD9A (D9B)	83.00	1905	4	Diesel	192		946
XUD9A (DJY)	83.00	1905	4	Diesel	193		946
XUD9A/L (D9B)	83.00	1905	4	Diesel	194		947
XUD9A/U (D9B)	83.00	1905	4	Diesel	195		948
XUD9AU (D8C)	83.00	1905	4	Diesel	196		949
XUD9AU (D9B)	83.00	1905	4	Diesel	194		950
XUD9BSD (DHV)	83.00	1905	4	Diesel	197		951
XUD9BSD (DHV)	83.00	1905	4	Diesel	198		951
XUD9SD (DHW)	83.00	1905	4	Diesel	199		951
XUD9SD (DHW)	83.00	1905	4	Diesel	200		951
XUD9TE	83.00	1905	4	Diesel	201		952
XUD9TE (D8B)	83.00	1905	4	Diesel	202		953
XUD9TE (DHX)	83.00	1905	4	Diesel	203		953
XUD9TE (DHY)	83.00	1905	4	Diesel	204		953
XUD9TE/Y (DHY)	83.00	1905	4	Diesel	205		953
XUD9TF (D8B)	83.00	1905	4	Diesel	206		953
XUD9TF/BTF (DHX)	83.00	1905	4	Diesel	207		953
XUD9UTF (D8C)	83.00	1905	4	Diesel	208		953
XUD9Y (DJZ)	83.00	1905	4	Diesel	209		948
XV8	70.00	954	4	Petrol	10		782
XW3S	72.00	1124	4	Petrol	13		801
Y2/K	76.70	1442	4	Petrol	99		866
Z6W 700	91.00	2849	V6	Petrol			1437
Z6W 702	91.00	2849	V6	Petrol			1437
Z7U 700	91.00	2458	V6	Petrol	715		1436
Z7U 702	91.00	2458	V6	Petrol	715		1436
Z7U 730	91.00	2458	V6	Petrol	715		
Z7U 734	91.00	2458	V6	Petrol	715		
Z7V 708	88.00	2664	V6	Petrol	710		1433
Z7V 709	88.00	2664	V6	Petrol	711		1433
Z7V 711	88.00	2664	V6	Petrol	711		1433
Z7W 700	91.00	2849	V6	Petrol	716		1438
Z7W 701	91.00	2849	V6	Petrol	717		1439
Z7W 702	91.00	2849	V6	Petrol	717		1438
Z7W 706	91.00	2849	V6	Petrol	716		1440
Z7W 707	91.00	2849	V6	Petrol	716		1440
Z7W 709	91.00	2849	V6	Petrol	716		1439
Z7W 712	91.00	2849	V6	Petrol	716		1439
Z7W 713	91.00	2849	V6	Petrol	716		1439
Z7W 717	91.00	2849	V6	Petrol	716		1439
Z7X 27	93.00	2963	V6	Petrol			1481
Z7X 721	93.00	2963	V6	Petrol			1482
Z7X 722	93.00	2963	V6	Petrol	754		1482
Z7X 723	93.00	2963	V6	Petrol			1482
Z7X 726	93.00	2963	V6	Petrol	755		1483
Z7X 744	93.00	2963	V6	Petrol			1484
Z7X 753	93.00	2963	V6	Petrol			1481
Z7X 755	93.00	2963	V6	Petrol			1481
Z7X 760	93.00	2963	V6	Petrol	754		1482
Z7X 765	93.00	2963	V6	Petrol	756		1482
Z7X 767	93.00	2963	V6	Petrol			1481
Z7X 775	93.00	2963	V6	Petrol	755		1482
ZPJ (UFZ)	93.00	2963	V6	Petrol	326		1080
ZPJ/Z (SFZ)	93.00	2963	V6	Petrol			1081
ZPJ/Z (UFZ)	93.00	2963	6	Petrol	326		1079
ZPJ4/Z (SKZ)	93.00	2963	V6	Petrol			1081
ZPJ4/Z (UKZ)	93.00	2963	V6	Petrol	326		1079
ZPJ4/Z (UKZ)	93.00	2963	V6	Petrol	326		1080

TOP ENGINE APPLICATIONS



ZYLINDERKOPFANWENDUNGEN

APPLICAZIONI PARTE ALTA DEL MOTORE

APPLICATIONS HAUT MOTEUR

APLICACIONES PARA LA PARTE SUPERIOR DEL MOTOR

GÓRA SILNIKA

ДЕТАЛИ ВЕРХНЕЙ ЧАСТИ ДВИГАТЕЛЯ

تطبيقات المحرك العلوية



CITROEN/PEUGEOT

1	66.00	Petrol				
A 53	2 Cyl.	7:1	425cc	12kW (16)PS	TD5088	773
2 CV	03/63 → 02/70					

		GF050 ▲ [12]		JB864 ■ (x2) 05/68 → JB863 ■ (x4)	JN232 (x2)		
[12] Without crankshaft seal		[12] Sans bague d'étanchéité - vilebrequin		[12] Con paraolio-albero a gomiti		[12] Con árbol retén	

2	66.00	Petrol				
A79/0 (AYA)	2 Cyl.	7:1	425cc	13kW (18)PS	TD5085	773
DYANE	08/67 → 03/68					

		GF050 ▲ [12]		JB863 ■ (x4)			
[12] Without crankshaft seal		[12] Sans bague d'étanchéité - vilebrequin		[12] Con paraolio-albero a gomiti		[12] Con árbol retén	

3	70.00	Petrol				
108 (XV3)	4 Cyl.	9.3:1	954cc	24kW (32)PS	TD2892	776
104	10/72 → 10/83					

BF290 Fibre Composite, 1.200mm	DN571 ▲				JN596	HR300 ■	



BF290

4	70.00	Petrol				
108 (XV5)	4 Cyl.	9.3:1	954cc	26kW (35)PS	TD2893	776
104	09/73 → 10/83					

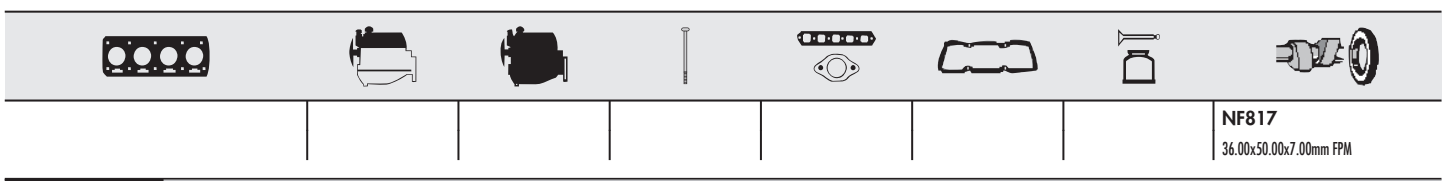
	.KIT	CAM540	CKS7540	FOL2 (x8)			

BF290 Fibre Composite, 1.200mm	DN571 ▲				JN596	HR300 ■	



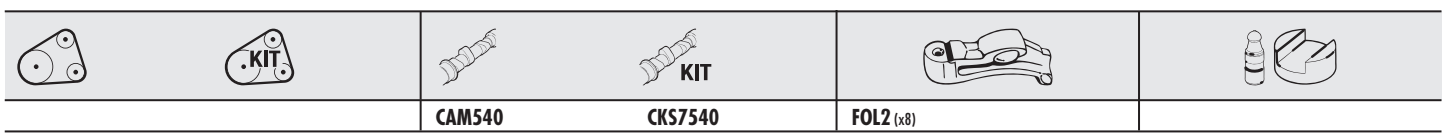
BF290

5		70.00	Petrol			
T08C	4 Cyl.	9.3:1	954cc	32kW (44)PS	TD6560	777
TU9K	4 Cyl.	8.8:1	954cc	37kW (50)PS	TD26984	779
C15	11/92→07/96	LNA		07/84→10/86		



NF817
36.00x50.00x7.00mm FPM

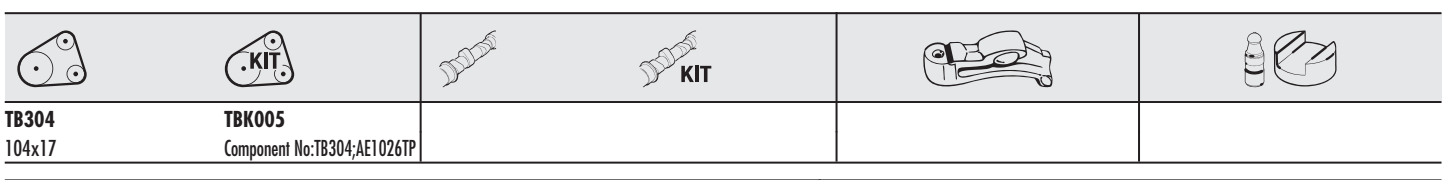
6		70.00	Petrol			
T08C (XV8)	4 Cyl.	9.3:1	954cc	33kW (45)PS	TD2894	778
104	09/83→06/88	205		02/83→10/87		



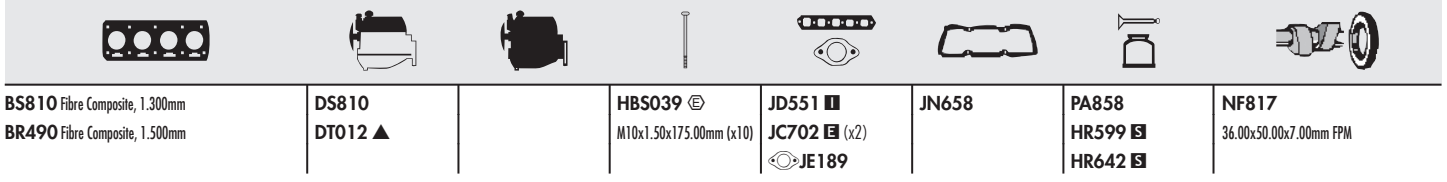
CAM540 **CK57540** **FOL2 (x8)**

B x C x D	OE	MAT.	E x F x G
V91270	0948.57		VAG92401
34.50 x 7.00 x 113.00		30°	47.50 x 7.01 x 13.06
V91272	0949.58		VAG96132
27.50 x 7.00 x 112.50		45°	47.60 x 7.03 x 13.11
		MD cr	

7		70.00	Petrol			
C1A	4 Cyl.	9.4:1	954cc	32kW (45)PS	TD6559	779
TU9	4 Cyl.	8.8:1	954cc	33kW (45)PS	TD18545	780
TU9	4 Cyl.	9.4:1	954cc	33kW (45)PS	TD2783	781
106	09/91→04/96	106 Van		09/91→03/01	205	10/87→09/98
AX	09/86→06/92	C15		10/84→12/97		



B x C x D	OE	MAT.	E x F x G
V91270	0948.57		VAG92401
34.50 x 7.00 x 113.00		30°	47.50 x 7.01 x 13.06
V91272	0949.58		VAG96132
27.50 x 7.00 x 112.50		45°	47.60 x 7.03 x 13.11
		MD cr	



BS810 Fibre Composite, 1.300mm **DS810** **HBS039** **JD551** **JN658** **PA858** **NF817**
BR490 Fibre Composite, 1.500mm **DT012** M10x1.50x175.00mm (x10) **JC702** (x2) **HR599** 36.00x50.00x7.00mm FPM
JE189 **HR642**



BS810, BR490

CITROEN/PEUGEOT

8



70.00

Petrol



C3A	4 Cyl.	954cc	33kW (45)PS	TD619	779
-----	--------	-------	-------------	-------	-----

AX	12/86→12/88				
----	-------------	--	--	--	--

TB304 104x17	TBK005 Component No:TB304;AE1026TP		KIT		

BS810 Fibre Composite, 1.300mm BR490 Fibre Composite, 1.500mm	DS810 DT012 ▲		HB5039 ☹ M10x1.50x175.00mm (x10)	JD551 ■ (x2) JC702 ■ (x2) ☹ JE189	JN658	PA858 HR599 ■ HR642 ■	NF817 36.00x50.00x7.00mm FPM



BS810, BR490

9



70.00

Petrol



TU9M (CDY)	4 Cyl.	9.4:1	954cc	37kW (50)PS	TD4841	781
TU9M (CDY)	4 Cyl.	9.4:1	954cc	33kW (45)PS	TD5095	780
TU9M (CDZ)	4 Cyl.	9.4:1	954cc	40kW (54)PS	TD10787	780
TU9M (CDZ)	4 Cyl.	9.4:1	954cc	37kW (50)PS	TD9405	781

106	09/91→	106 Van	09/91→03/01	205	08/92→05/97
AX	07/86→12/98	SAXO	05/96→06/03		



TB304 104x17	TBK005 Component No:TB304;AE1026TP		KIT	FOL160 (x8)	







B x C x D	E x F x G
V91270 ■ 34.50 x 7.00 x 113.00	VAG92401 ■ ■ 47.50 x 7.01 x 13.06
V91272 ■ 27.50 x 7.00 x 112.50	VAG96132 ■ ■ 47.60 x 7.03 x 13.11
OE: 0948.57	OE: 0949.58
MAT: MB	MAT: MD cr
30°	45°
H	

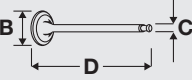




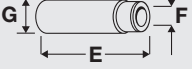




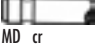

BS810 Fibre Composite, 1.300mm BR490 Fibre Composite, 1.500mm	DS810 DT012 ▲		HB5039 ☹ M10x1.50x175.00mm (x10)	JD551 ■ (x2) JC702 ■ (x2) ☹ JE189	JN658	PA858 HR599 ■ HR642 ■	NF817 36.00x50.00x7.00mm FPM














BS810, BR490



10	 70.00	Petrol				
XV8	4 Cyl.	8.8:1	954cc	33kW (45)PS	TD18544	782
C15	10/84→12/97	VISA		09/84→06/88		









					
		CAM540	CK57540	FOL2 (x8)	



					
B x C x D	OE	MAT.	30°	H	E x F x G
V91270 	0948.57				VAG92401 
34.50 x 7.00 x 113.00		MB			47.50 x 7.01 x 13.06
V91272 	0949.58		45°		VAG96132 
27.50 x 7.00 x 112.50		MD cr			47.60 x 7.03 x 13.11

							
BN580 Fibre Composite, 1.200mm	DN582 		HBS039 		JN596	HR569 	NF817
BH950 Fibre Composite, 1.200mm, 1 Notch			M10x1.50x175.00mm (x10)				36.00x50.00x7.00mm FPM

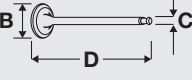




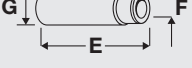


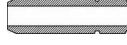


							
BH950	BN580						













11	 71.00	Petrol				
1KR-FE (CFA) (384F)	3 Cyl.	10.5:1	998cc	50kW (68)PS	TD25073	783

							
							NA5260
							38.00x50.00x6.00mm FPM

12	 71.00	Petrol				
1KR-FE (CFA) (384F)	3 Cyl.	10.5:1	998cc	50kW (68)PS	TD18548	784
1KR-FE (CFA) (384F)	3 Cyl.		998cc	50kW (68)PS	TD20286	785

107	06/05→	C1	06/05→
------------	--------	-----------	--------

					
B x C x D	OE	MAT.	30°	H	E x F x G
V94969 	0948.E2				VAG96067 
27.65 x 4.98 x 88.35		MB			34.50 x 5.00 x 9.70
V94970 	0948.C8		45°		
23.70 x 4.98 x 89.10		MD			

							
AG9310 MLS	CG9310		HBS508 	JD5845 	JM7042		NA5260
				(NBR)	(ACM)		38.00x50.00x6.00mm FPM
				JD5846 			
				MLS			
				JD5863 			
				Steel Elastomer			

CITROEN/PEUGEOT

13	72.00	Petrol			
109 (XW3)	4 Cyl.	9.2:1	1124cc	33kW (44)PS	TD2895 786
XW3S	4 Cyl.	9.7:1	1124cc	48kW (65)PS	TD12688 801
104	09/73 → 06/83				

		CAM540	CKS7540	FOL2 (x8)	

 B x C x D	OE	MAT.		 E x F x G
				VAG92098 III E 47.50 x 8.00 x 13.08

14	72.00	Petrol			
109/5	4 Cyl.	1124cc	37kW (50)PS	TD564	787
VISA	09/78 → 03/91				

		CAM540	CKS7540	FOL2 (x8)	

BH950 Fibre Composite, 1.200mm, 1 Notch 09/78 → 12/85 BL620 Fibre Composite, 1.400mm BN580 Fibre Composite, 1.200mm 01/86 → BP720 Fibre Composite, 1.400mm	DN571 ▲			JE647	JN596	HR300 E	



BH950, BL620



BN580, BP720

15



72.00

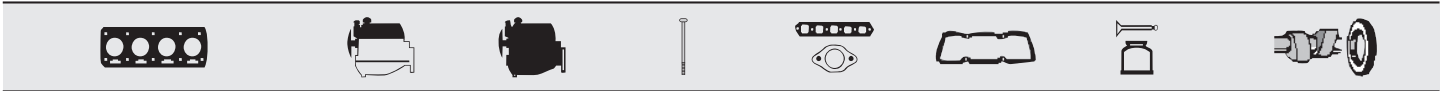
Petrol



109/5E	4 Cyl.	9.7:1	1124cc	33-50kW (45-50)PS	TD565	788
109/5F	4 Cyl.	9.7:1	1124cc	33-37kW (45-50)PS	TD566	789
109K	4 Cyl.	9.7:1	1124cc	35kW (47)PS	TD563	790

C15	10/84→12/96	LNA	07/82→04/85	VISA	09/78→03/91
-----	-------------	-----	-------------	------	-------------

		CAM540	CKS7540	FOL2 (x8)	



BH950 Fibre Composite, 1.200mm, 1 Notch →12/85	DN571 ▲				JN596	HR300 ■	
BL620 Fibre Composite, 1.400mm							
BN580 Fibre Composite, 1.200mm							
01/86→							
BP720 Fibre Composite, 1.400mm							



BH950, BL620

BN580, BP720

16



72.00

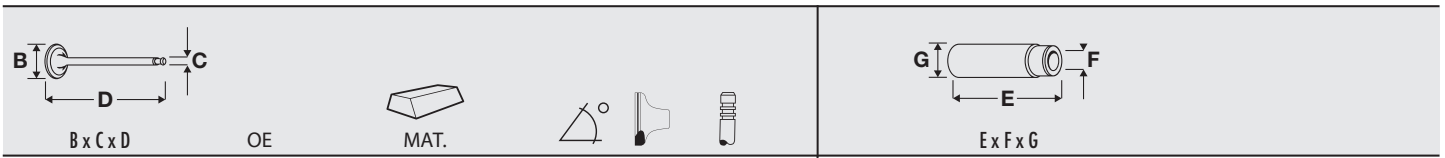
Petrol



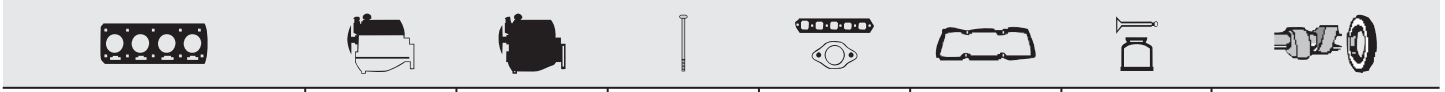
109F (XW7)	4 Cyl.	10.2:1	1124cc	37kW (50)PS	TD2899	790
------------	--------	--------	--------	-------------	--------	-----

104	08/79→06/88	205	02/83→10/87
-----	-------------	-----	-------------

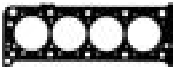
		CAM540	CKS7540	FOL2 (x8)	



VAG92098 ■ ■
47.50 x 8.00 x 13.08



BN580 Fibre Composite, 1.200mm	DN571 ▲				JN596	HR300 ■	
BH950 Fibre Composite, 1.200mm, 1 Notch							
BL620 Fibre Composite, 1.400mm							
BP720 Fibre Composite, 1.400mm							



BH950, BL620

BN580, BP720

CITROEN/PEUGEOT

17



72.00

Petrol



109N (XW7)

4 Cyl.

10.2:1

1124cc

36kW (49)PS

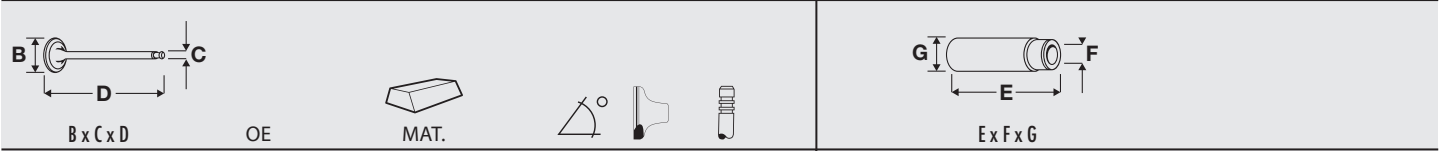
TD2900

791

205

02/83 → 10/90

		CAM540	CK57540	FOL2 (x8)	



VAG92098
47.50 x 8.00 x 13.08



BH950 Fibre Composite, 1.200mm, 1 Notch →11/85	DN571 ▲				JN596	HR300	
BL620 Fibre Composite, 1.400mm							
BP720 Fibre Composite, 1.400mm							
BN580 Fibre Composite, 1.200mm 11/85 →							



BH950, BL620

BP720, BN580

18



72.00

Petrol



121 (XW35)

4 Cyl.

9.7:1

1124cc

49kW (67)PS

TD2896

792

104

08/75 → 06/80

		CAM540	CK57540	FOL2 (x8)	





VAG92098
47.50 x 8.00 x 13.08



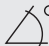














BH950 Fibre Composite, 1.200mm, 1 Notch	DN571 ▲			JE647	JN596	HR300	
BL620 Fibre Composite, 1.400mm							







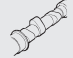



BH950, BL620

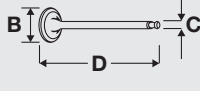








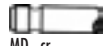

19	 72.00	Petrol				
E1A	4 Cyl.	9.6:1	1124cc	40kW (54)PS	TD648	793
C15	10/84→12/96					















 B x C x D	OE	 MAT.	 45°		 E x F x G
V35055  29.20 x 7.97 x 107.72	1388.51	 ME cr			

							
[11] Without gaskets/seals	[11] Sans joints	[11] Senza guarnizioni	[11] Sin juntas				

20	 72.00	Petrol				
H1A	4 Cyl.	9.2:1	1124cc	40-44kW (54-60)PS	TD6562	794
TU1CP (HAZ)	4 Cyl.	9.2:1	1124cc	40kW (54)PS	TD5083	794
AX	12/86→04/94	BX	10/86→06/92	C15	11/88→07/96	
ZX	03/91→08/93					

	 .KIT		 KIT		
TB304 104x17	TBK005 Component No:TB304;AE1026TP				

 B x C x D	OE	 MAT.	 30°	 H	 E x F x G
V91271  37.00 x 7.00 x 112.50	0948.58	 MB			VAG92401  47.50 x 7.01 x 13.06
V91273  29.50 x 7.00 x 112.50	0949.59	 MD cr	45°		VAG96132  47.60 x 7.03 x 13.11

							
AD5700 Fibre Composite, 1.250mm	DT010		HBS039  M10x1.50x175.00mm (x10)	JD551  (x2) JC702  (x2)  JE189	JN658	HR642 	NF817 36.00x50.00x7.00mm FPM
AD5710 Fibre Composite, 1.500mm	DT012 						



AD5710

CITROEN/PEUGEOT

21



72.00

Petrol



TU1 (H1B)	4 Cyl.	9.4:1	1124cc	40kW (54)PS	TD2758	795
TU1 (H1B)	4 Cyl.	9.2:1	1124cc	40-44kW (55-60)PS	TD658	794
205	08/87→10/90		309	09/89→10/93	AX	09/86→12/97
ZX	03/91→08/93					

TB304 104x17	TBK005 Component No:TB304;AE1026TP	CAM540	CKS7540	FOL160 (x8)	

B x C x D	OE	MAT.	Ex F x G
V91271 ■ 37.00 x 7.00 x 112.50	0948.58	 MB	VAG92401 ■ ■ ■ 47.50 x 7.01 x 13.06
V91273 ■ 29.50 x 7.00 x 112.50	0949.59	 MD cr	VAG96132 ■ ■ ■ 47.60 x 7.03 x 13.11

AD5700 Fibre Composite, 1.250mm AD5710 Fibre Composite, 1.500mm	DT010 DT012 ▲	HB5039 ☉ M10x1.50x175.00mm (x10)	JD551 ■ (x2) JC702 ■ (x2) ■ JE189	JN658	PA858 HR642 ■	NF817 36.00x50.00x7.00mm FPM



AD5710

22



72.00

Petrol



TU1A (HFX)	4 Cyl.	10.2:1	1124cc	44kW (60)PS	TD25640	796
206+	01/09→					

AC5700 Fibre Composite, 1.260mm AC5710 Fibre Composite, 1.46mm	CC5700	HB5039 ☉ M10x1.50x175.00mm (x10)	HA5028 ■ ■ ■	JN658	HR599 ■ HR642 ■	NF817 36.00x50.00x7.00mm FPM



AC5700, AC5710

23



72.00

Petrol



TU1AE5	4 Cyl.	10.2:1	1124cc	44kW (60)PS	TD25641	797
206+	01/09→					

AC5700 Fibre Composite, 1.260mm AC5710 Fibre Composite, 1.46mm		NF817 36.00x50.00x7.00mm FPM



AC5700, AC5710

24



72.00

Petrol



TU1JP (HFX) 4 Cyl. 10.5:1 1124cc 44kW (60)PS TD14728 **798**

106 05/96→ 206 09/98→ 206+ 01/09→
 PARTNER 06/96→

TB304 104x17 Eng.→3762433 TB699 100x17 Eng.3762434→	TBK005 Eng.→3762433 Component No:TB304;AE1026TP TBK316 Eng.3762434→ Component No:TB699;AE1168TP			

B x C x D	E x F x G
V94202 36.70 x 7.00 x 112.70	VAG96132 47.60 x 7.03 x 13.11
V91273 29.50 x 7.00 x 112.50	
OE 0948.91	OE 0949.59
MAT. MB	MAT. MD cr
45°	45°
H	

AC5700 Fibre Composite, 1.260mm AC5710 Fibre Composite, 1.46mm	CC5700	HBS039 M10x1.50x175.00mm (x10)	HA5028 JN658	PA850 HR599	NF817 36.00x50.00x7.00mm FPM		



AC5700, AC5710

CITROEN/PEUGEOT

25



72.00

Petrol



TU1JP (HFX)	4 Cyl.	10.5:1	1124cc	44kW (60)PS	TD14730	798
BERLINGO	07/96→	C2		09/03→	C3	02/02→
SAXO	05/96→09/03					

TB304 104x17 Eng.→3762433	TBK005 Eng.→3762433 Component No:TB304;AE1026TP	TBK316 Eng.3762434→ Component No:TB699;AE1168TP	
TB699 100x17 Eng.3762434→			

V94202 ■ 36.70 x 7.00 x 112.70	V91273 ■ 29.50 x 7.00 x 112.50	VAG96132 ■ ■ ■ 47.60 x 7.03 x 13.11
OE: 0948.91	OE: 0949.59	
MAT. MB	MAT. MD cr	
45°	45°	
H		

AC5700 Fibre Composite, 1.260mm	CC5700	HBS039 ⊕ M10x1.50x175.00mm (x10)	HA5028 ■ ■ ■	JN658	PA850 HR599 ■ HR642 ■	NF817 36.00x50.00x7.00mm FPM
AC5710 Fibre Composite, 1.46mm						



AC5700, AC5710

26

72.00

Petrol



TU1JP (HFZ) 4 Cyl. 10.5:1 1124cc 44kW (60)PS TD9848 799

206 09/98 →

TB304 104x17 Eng. → 3762433 TB699 100x17 Eng. 3762434 →	TBK005 Eng. → 3762433 Component No: TB304; AE1026TP TBK316 Eng. 3762434 → Component No: TB699; AE1168TP				

	OE				
V94202 36.70 x 7.00 x 112.70 V91273 29.50 x 7.00 x 112.50	0948.91 0949.59	 	45° 45°	H	VAG96132 47.60 x 7.03 x 13.11

AC5700 Fibre Composite, 1.260mm AC5710 Fibre Composite, 1.46mm	CC5700	HBS039 M10x1.50x175.00mm (x10)	HA5028	HR599	NF817 36.00x50.00x7.00mm FPM



AC5700, AC5710

27

72.00

Petrol



TU1M (HDY) 4 Cyl. 9.2:1 1124cc 40kW (54)PS TD9404 795

106 01/97 →

TB304 104x17	TBK005 Component No: TB304; AE1026TP	CAM733		FOL160 (x8)	

	OE				
V91271 37.00 x 7.00 x 112.50 V91273 29.50 x 7.00 x 112.50	0948.58 0949.59	 	30° 45°	H	VAG92401 47.50 x 7.01 x 13.06 VAG96132 47.60 x 7.03 x 13.11

AD5700 Fibre Composite, 1.250mm BS810 Fibre Composite, 1.300mm	DT010 DT012	HBS039 M10x1.50x175.00mm (x10)	JD551 (x2) JC702 (x2) 	JN658	HR642	NF817 36.00x50.00x7.00mm FPM



BS810

CITROEN/PEUGEOT

28



72.00

Petrol

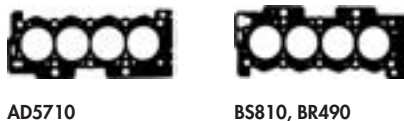


TU1M (HDZ)	4 Cyl.	9.4:1	1124cc	44kW (60)PS		TD4834	795
TU1M (HDZ)	4 Cyl.	9.7:1	1124cc	40kW (54)PS		TD661	794
106	09/91→		205	07/89→09/98		306	05/93→05/01
309	08/90→12/93		AX	09/86→12/97		BERLINGO	07/96→
BX	10/88→06/92		C15	07/88→12/96		PARTNER	06/96→
SAXO	05/96→09/03		ZX	03/91→06/97			

TB304 104x17	TBK005 Component No:TB304;AE1026TP	CAM733		FOL160 (x8)	

B x C x D	E x F x G
OE	
MAT.	
30°	
45°	
H	
V91271 ■ 37.00 x 7.00 x 112.50	VAG92401 ■ ■ ■ 47.50 x 7.01 x 13.06
V91273 ■ 29.50 x 7.00 x 112.50	VAG96132 ■ ■ ■ 47.60 x 7.03 x 13.11

AD5700 Fibre Composite, 1.250mm BS810 Fibre Composite, 1.300mm AD5710 Fibre Composite, 1.500mm BR490 Fibre Composite, 1.500mm	DT010 DT012 ▲	HBS039 ⊕ M10x1.50x175.00mm (x10)	JD551 ■ (x2) HA5028 ■ ■ ■ JC702 ■ (x2) ⊕ JE189	JN658	PA858 HR599 ■ HR642 ■	NF817 36.00x50.00x7.00mm FPM



29



73.70

Diesel



DV4C (8HR)	4 Cyl.	18:1	1398cc	50kW (68)PS	Turbo	TD25061	803
DV4C (8HR)	4 Cyl.	18:1	1398cc	50kW (68)PS		TD28125	803
207	02/06→		208	03/12→		2008	06/13→
C3	11/09→		DS3	04/10→			

							NA5258 27.00x47.00x7.00mm PTFE

30

73.70

Diesel



DV4D	4 Cyl.		1398cc	40kW (54)PS	Turbo Intercooled	TD18550	802
DV4TD (8HX)	4 Cyl.	17.9:1	1398cc	52kW (71)PS	Turbo Intercooled	TD16368	806
DV4TD (8HX)	4 Cyl.	17.9:1	1398cc	52kW (71)PS	Turbo Intercooled	TD16425	806
DV4TD (8HZ)	4 Cyl.	17.9:1	1398cc	50kW (68)PS	Turbo Intercooled	TD17509	806
DV4TD (8HZ)	4 Cyl.	17.9:1	1398cc	50kW (68)PS	Turbo Intercooled	TD23773	806

206	09/01 →	206+	01/09 →	206 Van	09/01 → 03/09
207	02/06 →	307	10/01 →	1007	04/05 →
C1	06/05 →	C2	09/03 →	C2 ENTERPRISE	04/09 →
C3	02/02 →	XSARA	01/03 → 08/05		

TB720 144x25.4	TBK230 Component No:TB720; AE1163GP;AE1164GP	CAM726		FOL154 (x8)

	OE	MAT.				
V94601 ■ 32.80 x 5.50 x 97.30	0948.C2		45°	Y	H	
V94602 ■ 30.30 x 5.50 x 97.30	0949.B1		45°		H	

AH6560 MLS, 1.25mm, 2 Notches AH6570 MLS, 1.3mm, 3 Notches AH6580 MLS, 1.35mm, 1 Notch AH6590 MLS, 1.4mm, 4 Notches AH6600 MLS, 1.45mm, 5 Notches	CD5130 ▲	HBS359 ⊕ M11x1.50x147.00mm (x10)	HA5029 ■ ■ JD5829 ■	JM5299	NA5258 27.00x47.00x7.00mm PTFE

31

73.70

Diesel



DV4TD (8HS)	4 Cyl.	17.9:1	1398cc	50kW (68)PS	Turbo Intercooled	TD24698	804
DV4TD (8HS)	4 Cyl.	17.9:1	1398cc	50kW (68)PS	Turbo Intercooled	TD24699	804

BIPPER	02/08 →	BIPPER Tepee	04/08 →	NEMO	02/08 →
---------------	---------	---------------------	---------	-------------	---------

TB720 144x25.4	TBK230 Component No:TB720; AE1163GP;AE1164GP	CAM726		FOL154 (x8)

AH6560 MLS, 1.25mm, 2 Notches AH6570 MLS, 1.3mm, 3 Notches AH6580 MLS, 1.35mm, 1 Notch AH6590 MLS, 1.4mm, 4 Notches AH6600 MLS, 1.45mm, 5 Notches	CD5130 ▲	HBS359 ⊕ M11x1.50x147.00mm (x10)	HA5029 ■ ■ JD5829 ■	JM5299	NA5258 27.00x47.00x7.00mm PTFE

CITROEN/PEUGEOT

32



73.70

Diesel



DV4TD (8HT)

4 Cyl.

17.9:1

1398cc

40kW (54)PS

Turbo

TD25062

805



AH6560 MLS, 1.25mm, 2 Notches
 AH6570 MLS, 1.3mm, 3 Notches
 AH6580 MLS, 1.35mm, 1 Notch
 AH6590 MLS, 1.4mm, 4 Notches
 AH6600 MLS, 1.45mm, 5 Notches

CD5130 ▲

HBS359 ☉
 M11x1.50x147.00mm (x10)

HA5029 III E
 JD5829 E

JM5299

NA5258
 27.00x47.00x7.00mm PTFE

33



73.70

Diesel



DV4TD (8HT)

4 Cyl.

17.9:1

1398cc

40kW (54)PS

Turbo Intercooled

TD24924

805

107

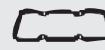
06/05 →



TB720
 144x25.4

TBK230
 Component No:TB720;
 AE1163GP;AE1164GP

KIT



AH6560 MLS, 1.25mm, 2 Notches
 AH6570 MLS, 1.3mm, 3 Notches
 AH6580 MLS, 1.35mm, 1 Notch
 AH6590 MLS, 1.4mm, 4 Notches
 AH6600 MLS, 1.45mm, 5 Notches

CD5130 ▲

HBS359 ☉
 M11x1.50x147.00mm (x10)

HA5029 III E
 JD5829 E

JM5299

NA5258
 27.00x47.00x7.00mm PTFE

34



73.70

Diesel



DV4TED (8HS) Euro 4

4 Cyl.

17:1

1398cc

50kW (68)PS

Turbo Intercooled

TD25063

803



AH6560 MLS, 1.25mm, 2 Notches
 AH6570 MLS, 1.3mm, 3 Notches
 AH6580 MLS, 1.35mm, 1 Notch
 AH6590 MLS, 1.4mm, 4 Notches
 AH6600 MLS, 1.45mm, 5 Notches

NA5258
 27.00x47.00x7.00mm PTFE

35

73.70
Diesel


DV4TED4 (8HY)	4 Cyl.	17.5:1	1398cc	66kW (89)PS	Turbo Intercooled	TD16426	807
---------------	--------	--------	--------	-------------	-------------------	---------	-----

C3	02/02→
----	--------

TB721 135x25.4			FOL184 (x16)	FOL15 (x16)	

B x C x D	OE	MAT.	45°	Y	H
V94603 ■ 24.30 x 5.50 x 96.40	0948.C4		45°	Y	H
V94604 ■ 22.35 x 5.50 x 96.60	0949.C1		45°	ss	H

AD5130 MLS, 1.250mm, 2 Notches AD5140 MLS, 1.300mm, 3 Notches AD5150 MLS, 1.350mm, 1 Notch AD5160 MLS, 1.400mm, 4 Notches AD5170 MLS, 1.450mm, 5 Notches	CD5140 ▲		HBS359 ⊕ M11x1.50x147.00mm (x10)	JD5830 ■■ HA5031 ■■ HA5030 ■■ JD5829 ■	JM7034 (Elastomer)		NA5258 27.00x47.00x7.00mm PTFE



AD5130, AD5140, AD5150, AD5160, AD5170

36

74.00
Petrol


A06/635	2 Cyl.	8.5:1	602cc	21kW (29)PS	TD599	808
A06/664	2 Cyl.	8.5:1	602cc	20-21kW (27-29)PS	TD600	809
R06 627	2 Cyl.	9:1	602cc	21kW (29)PS	TD5090	808

2 CV	02/70→07/90	LNA	11/76→07/79	MEHARI	10/79→10/87
------	-------------	-----	-------------	--------	-------------

	DF050 ▲○ [11]		GF051 ▲○ [12]		JB864 ■ (x4) JB830 ■ (x2)	JN232 (x2)	
[11] Without gaskets/seals	[11] Sans joints		[11] Senza guarnizioni		[11] Sin juntas		
[12] Without crankshaft seal	[12] Sans bague d'étanchéité - vilebrequin		[12] Con paraolio-albero a gomiti		[12] Con árbol retén		

37

74.00
Petrol


M4 (AM)	2 Cyl.	8.5:1	602cc	21kW (29)PS	TD5180	810
---------	--------	-------	-------	-------------	--------	-----

AMI	01/63→05/68
-----	-------------

				JB863 ■ (x2)			

CITROEN/PEUGEOT

38


74.00
Petrol


G10	4 Cyl.	9:1	1015cc	41kW (55)PS	TD649	812
G10/612	4 Cyl.	9:1	1015cc	41kW (55)PS	TD5094	812
AMI	03/73→12/77		GS	09/70→09/77		


DF490 ▲○ [10]

GF492 ▲○ [10]

JB833 ■ (x4)

HL358 ■

NF677 (x2)

28.00x52.00x10.00mm ACM

[10] With gaskets/seals

[10] Avec joints

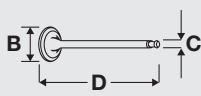
[10] Con guarnizioni

[10] Con juntas

39


74.00
Petrol


E1	4 Cyl.	9.6:1	1118cc	40kW (54)PS	TD4832	813
F1	4 Cyl.		1204cc	46kW (62)PS	TD2750	813
205	01/87→12/90		309	10/85→07/89		



B x C x D

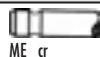
OE



MAT.



45°



ME cr



E x F x G

V35055 ■

1388.51

29.20 x 7.97 x 107.72


BF100 Fibre Composite, 1.300mm
BG480 Fibre Composite, 1.800mm

DF106 ▲○ [11]

DF107 ▲ [11]

JB836 ■

JB837 ■

JN238

BF100, BG480

[11] Without gaskets/seals

[11] Sans joints

[11] Senza guarnizioni

[11] Sin juntas

40


74.00
Petrol


G11/631	4 Cyl.		1129cc	41/43kW (56/58)PS	TD651	814
AXEL	01/84→03/91		GS	09/77→05/82		


DF490 ▲○ [10]

GF492 ▲○ [10]

JB833 ■ (x4)

NF677 (x2)

28.00x52.00x10.00mm ACM

[10] With gaskets/seals

[10] Avec joints

[10] Con guarnizioni

[10] Con juntas



41










75.00
Petrol




XK	4 Cyl.	8.8:1	1130cc	39-40kW (53-55)PS	TD2814
204	10/65→07/69				






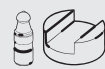
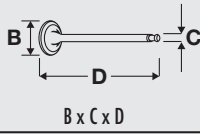


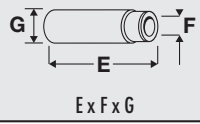

KIT









CAM408
FOL82 (x8)

42	 75.00	Petrol				
XK4	4 Cyl.	8.8:1	1130cc	40kW (54)PS	TD2820	815
204	05/69 → 10/77					

							
	DG210 ○ [11]	GG210 ○ [10]				HR300 ■	
[10] With gaskets/seals [11] Without gaskets/seals	[10] Avec joints [11] Sans joints	[10] Con guarnizioni [11] Senza guarnizioni	[10] Con juntas [11] Sin juntas				



43	 75.00	Petrol				
129 (XZ5)	4 Cyl.	9.3:1	1219cc	42kW (57)PS	TD2906	816
129/5	4 Cyl.	9.3:1	1219cc	42kW (57)PS	TD574	817
104	08/79 → 06/83		VISA	07/80 → 06/82		















					
	KIT	CAM540	CKS7540	FOL2 (x8)	
	OE				
B x C x D		MAT.		E x F x G	
				VAG92098 ■ ■	
				47.50 x 8.00 x 13.08	

							
BH950 Fibre Composite, 1.200mm, 1 Notch BL620 Fibre Composite, 1.400mm	DN571 ▲			JE647	JN596	HR300 ■	



BH950, BL620

44	 75.00	Petrol				
M4A	4 Cyl.	9.6:1	1294cc	70kW (95)PS	TD706	818
AX	04/87 → 12/88					

							
TB304 104x17	TBK005 Component No:TB304;AE1026TP		KIT				
							
AD5700 Fibre Composite, 1.250mm AD5710 Fibre Composite, 1.500mm	DT013 ▲ [10]		HBS039 ⊕ M10x1.50x175.00mm (x10)	JC702 ■ (x2) JE189	JN658	HR569 ■	NF817 36.00x50.00x7.00mm FPM



AD5710

[10] With gaskets/seals [10] Avec joints [10] Con guarnizioni [10] Con juntas

CITROEN/PEUGEOT

45



75.00

Petrol



TU2J2 4 Cyl. 10.2:1 1294cc 72kW (98)PS TD2763 819

106 10/93→04/96

TB259 108x17	TBK007 108 Component No:AE1026TP;TB259			FOL160 (x8)	

	OE					
V94155 ■ 39.40 x 7.00 x 111.70	0948.65		30°	Y	H	
V94156 ■ 31.30 x 7.00 x 111.50	0949.70		45°			

	DY130 ▲ [10]		HBS039 ⊕ M10x1.50x175.00mm (x10)	JC702 ■ (x2) ⊖ JE189	JN658	HR642 ■	NF817 36.00x50.00x7.00mm FPM
[10] With gaskets/seals	[10] Avec joints	[10] Con guarnizioni	[10] Con juntas				

46



75.00

Petrol



TU24 4 Cyl. 9.6:1 1294cc 70kW (95)PS TD12689 820

205 10/87→10/90

TB304 104x17	TBK005 Component No:TB304;AE1026TP				

AD5700 Fibre Composite, 1.250mm AD5710 Fibre Composite, 1.500mm	DT013 ▲ [10]		HBS039 ⊕ M10x1.50x175.00mm (x10)	JC702 ■ (x2) ⊖ JE189	JN658	PA858 HR569 ■	NF817 36.00x50.00x7.00mm FPM



AD5710
[10] With gaskets/seals [10] Avec joints [10] Con guarnizioni [10] Con juntas

47



75.00

Petrol



150 (XY6B) 4 Cyl. 9.3:1 1360cc 53kW (72)PS TD2901 821

104 08/79→06/84 205 02/83→07/88

	OE					
--	----	--	--	--	--	--

VAG92098 ■ ■
47.50 x 8.00 x 13.08

48



75.00

Petrol



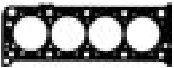
150A 4 Cyl. 9.3:1 1360cc 46kW (62)PS TD576 822

BX 10/82→06/88

TB259 108x17 Eng.→05439 TB376 101x17 Eng.05440→	TBK007 108 Eng.→05439 Component No:AE1026TP;TB259 TBK004 101 Eng.05440→ Component No:AE1026TP;TB376	CAM540	CKS7540	FOL2 (x8)	



BH950 Fibre Composite, 1.200mm, 1 Notch →11/85 BL620 Fibre Composite, 1.400mm BN580 Fibre Composite, 1.200mm 11/85→ BP720 Fibre Composite, 1.400mm	DN582 ▲				JN596	HR300 ■ (PVC) HR569 ■ (Steel Elastomer)	
---	----------------	--	--	--	--------------	--	--



BH950, BL620

BN580, BP720

49



75.00

Petrol

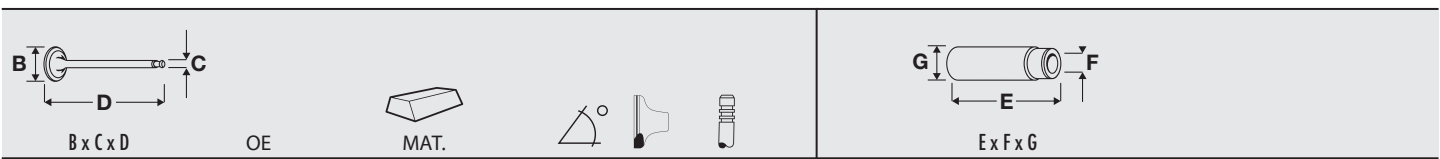


150B (XY8) 4 Cyl. 9.3:1 1360cc 58-59kW (79-80)PS TD2905 823

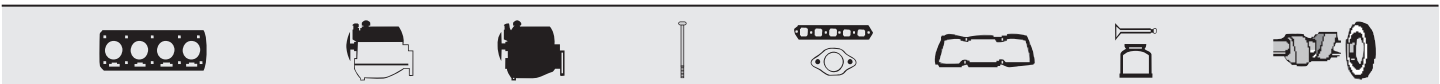
150B (XY8) 4 Cyl. 9.3:1 1360cc 46kW (62)PS TD577 823

205 02/83→05/89 VISA 03/82→03/91

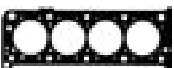
		CAM540	CKS7540	FOL2 (x8)	



VAG92098 ■ ■ ■
47.50 x 8.00 x 13.08



BH950 Fibre Composite, 1.200mm, 1 Notch →11/85 BL620 Fibre Composite, 1.400mm BN580 Fibre Composite, 1.200mm 11/85→ BP720 Fibre Composite, 1.400mm	DN582 ▲		HBS011 Ⓢ M12x1.25x119.00mm (x12)		JN596	HR300 ■	
---	----------------	--	--	--	--------------	----------------	--



BH950, BL620

BN580, BP720

CITROEN/PEUGEOT

50



75.00

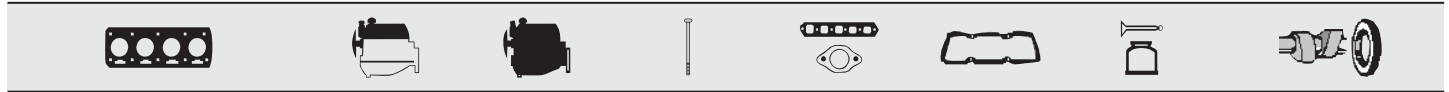
Petrol



150C 4 Cyl. 9.3:1 1360cc **53kW (72)PS** **TD582** **824**

BX 04/83 → 02/93

TB259 108x17	TBK007 108	CAM540	CK57540	FOL2 (x8)	
TB376 101x17	Component No:AE1026TP;TB259 TBK004 101				
	Component No:AE1026TP;TB376				



BH950 Fibre Composite, 1.200mm, 1 Notch →11/85	DN582 ▲		HBS011 Ⓢ M12x1.25x119.00mm (x12)		JN596	HR300 ■	
BL620 Fibre Composite, 1.400mm							
BN580 Fibre Composite, 1.200mm 11/85→							
BP720 Fibre Composite, 1.400mm							



BH950, BL620

BN580, BP720

51

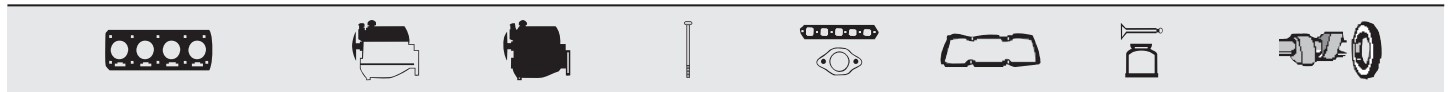


75.00

Petrol



150D 4 Cyl. 9.3:1 1360cc **44kW (60)PS** **TD6570** **825**



BN580 Fibre Composite, 1.200mm							
BP720 Fibre Composite, 1.400mm							



BN580, BP720

52

75.00

Petrol



150D (XY7) 4 Cyl. 9.3:1 1360cc 44kW (60)PS TD5091 825

C15 05/87→12/96 VISA 07/84→03/91

TB259 108x17 TB376 101x17	TBK007 108 Component No:AE1026TP;TB259 TBK004 101 Component No:AE1026TP;TB376	CAM540	CKS7540	FOL2 (x8)	

BP720 Fibre Composite, 1.400mm →Eng.3281 BN580 Fibre Composite, 1.200mm Eng.3280→			HBS011 M12x1.25x119.00mm (x12)				



BP720, BN580

53

75.00

Petrol



150D (XY7) 4 Cyl. 9.3:1 1360cc 44kW (60)PS TD2902 825

205 02/83→05/89

TB259 108x17 TB376 101x17	TBK007 108 Component No:AE1026TP;TB259 TBK004 101 Component No:AE1026TP;TB376	CAM540	CKS7540	FOL2 (x8)	

B x C x D	OE	MAT.			

VAG92098
47.50 x 8.00 x 13.08

BP720 Fibre Composite, 1.400mm →Eng.3281 BN580 Fibre Composite, 1.200mm Eng.3280→							



BP720, BN580

CITROEN/PEUGEOT

54



75.00

Petrol



150F 4 Cyl. 9.3:1 1360cc 49kW (67)PS TD578 822

BX 09/85→02/93

TB259 108x17 Eng.→05439 TB376 101x17 Eng.05440→	TBK007 108 Eng.→05439 Component No:AE1026TP;TB259 TBK004 101 Eng.05440→ Component No:AE1026TP;TB376				

BH950 Fibre Composite, 1.200mm, 1 Notch →11/85 BL620 Fibre Composite, 1.400mm BN580 Fibre Composite, 1.200mm 11/85→ BP720 Fibre Composite, 1.400mm	DN582 ▲		HBS011 ① M12x1.25x119.00mm (x12)		JN596	HR300 ■ (PVC) HR569 ■ (Steel Elastomer)	



BH950, BL620 BN580, BP720

55



75.00

Petrol



150G (XY7) 4 Cyl. 9.3:1 1360cc 44kW (60)PS TD2903 825

205 02/83→05/89

TB259 108x17	TBK007 108 Component No:AE1026TP;TB259				



B x C x D	E x F x G



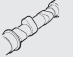












VAG92098 ■ ■ ■
47.50 x 8.00 x 13.08



BN580 Fibre Composite, 1.200mm BP720 Fibre Composite, 1.400mm							







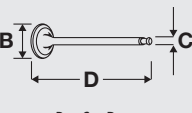
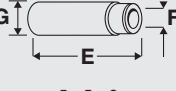




















BN580, BP720












56	 75.00	Petrol				
150H (XY8)	4 Cyl.	9.3:1	1360cc	58kW (79)PS	TD2904	826
205	10/85 → 05/89					

							
		CAM540	CKS7540	FOL2 (x8)			
							
			HBS011  M12x1.25x119.00mm (x12)				

57	 75.00	Petrol				
ET3J4 (KFU)	4 Cyl.	10.5:1	1360cc	65kW (88)PS	TD17550	827
ET3J4 (KFU)	4 Cyl.	10.5:1	1360cc	65kW (88)PS	TD17977	827
206	10/03 →	207	02/06 →	307	11/03 →	
1007	10/05 →	C2	06/06 →	C3	12/03 →	
C4	11/04 →					

					
TB813					
135x25.4					
					
B x C x D	OE	MAT.	45°	E x F x G	
V98081 	0948.C8		45°		
28.20 x 5.50 x 100.70		MB			
V98082 	0949.C4		45°		
24.35 x 5.50 x 101.10		MG cr			

							
AG9030 Fibre Composite, 1.400mm	CG9030		HBS489  M10x1.50x117.00mm (x10)	JD5882  (FPM) JD5831  JE5072  MLS	JM7051 (Steel Elastomer) JM7052 (Steel Elastomer)		

58	 75.00	Petrol					
K1B	4 Cyl.	9.3:1	1360cc	44kW (60)PS	TD665	828	
K2D	4 Cyl.	9.3:1	1360cc	55kW (75)PS	TD6568	828	
							
					HR599 	NF817 36.00x50.00x7.00mm FPM	

CITROEN/PEUGEOT

59



75.00

Petrol



K1F 4 Cyl. 9.3:1 1360cc 49kW (67)PS TD666 829

AX 06/88→12/89

TB259 108x17	TBK007 108 Component No:AE1026TP;TB259				

	OE					
B x C x D		MAT.	30°	H	E x F x G	
V91271 ■ 37.00 x 7.00 x 112.50	0948.58		45°		VAG92401 ■ ■ 47.50 x 7.01 x 13.06	
V91273 ■ 29.50 x 7.00 x 112.50	0949.59				VAG96132 ■ ■ 47.60 x 7.03 x 13.11	

AD5700 Fibre Composite, 1.250mm AD5710 Fibre Composite, 1.500mm	DT010 DT012 ▲		HBS039 ⊕ M10x1.50x175.00mm (x10)	JD551 ■ (x2) JC702 ■ (x2) ⊙ JE189	JN658	HR642 ■	NF817 36.00x50.00x7.00mm FPM



AD5710

60



75.00

Petrol



K1G 4 Cyl. 9.3:1 1360cc 51kW (69)PS TD6567 830

AX 01/89→12/91 BX 04/83→07/89

BN580 Fibre Composite, 1.200mm BH950 Fibre Composite, 1.200mm, 1 Notch BL620 Fibre Composite, 1.400mm BP720 Fibre Composite, 1.400mm →11/85	DN582 ▲		HBS039 ⊕ M10x1.50x175.00mm (x10)	JD551 ■ (x2) JC702 ■ (x2)	JN596	HR599 ■	NF817 36.00x50.00x7.00mm FPM



BH950, BL620

BN580, BP720

61



75.00

Petrol



K2A 4 Cyl. 9.3:1 1360cc **62kW (84)PS** **TD668** **831**

AX 09/86→12/92

TB259 108x17	TBK007 108 Component No:AE1026TP;TB259				

	OE				
V91271 ■ 37.00 x 7.00 x 112.50	0948.58		30°	H	VAG92401 ■ ■ 47.50 x 7.01 x 13.06
V91273 ■ 29.50 x 7.00 x 112.50	0949.59		45°		VAG96132 ■ ■ 47.60 x 7.03 x 13.11

BY130 Fibre Composite, 1.280mm BY170 Fibre Composite, 1.500mm	DY130 ▲ [10]	HBS039 ⊕ M10x1.50x175.00mm (x10)	JD551 ■ (x2) JC702 ■ (x2)	JN658	HR599 ■	NF817 36.00x50.00x7.00mm FPM
BY130 [10] With gaskets/seals	BY170 [10] Avec joints	[10] Con guarnizioni	[10] Con juntas			

62



75.00

Petrol



K3A 4 Cyl. 9.3:1 1360cc **40-46kW (54-63)PS** **TD6569** **832**

C15 07/87→12/96

TB259 108x17 TB376 101x17	TBK007 108 Component No:AE1026TP;TB259 TBK004 101 Component No:AE1026TP;TB376	CAM540	CKS7540	FOL2 (x8)	

AD5710 Fibre Composite, 1.500mm	DT010 DT012 ▲	HBS039 ⊕ M10x1.50x175.00mm (x10)	JD551 ■ (x2) JC702 ■ (x2) ⊙ JE189	JN658	HR642 ■	NF817 36.00x50.00x7.00mm FPM
AD5710						

63



75.00

Petrol



KAZ 4 Cyl. 9.3:1 1360cc **44-55kW (54-75)PS** **TD6566** **828**

						NF817 36.00x50.00x7.00mm FPM

CITROEN/PEUGEOT

64



75.00

Petrol



TU3 (K5A)	4 Cyl.	10.2:1	1360cc	51kW (70)PS	TD26412	833
106	08/91→03/96		405	01/87→07/92		

TB259 108x17	TBK007 108 Component No:AE1026TP;TB259				

AD5700 Fibre Composite, 1.250mm AD5710 Fibre Composite, 1.500mm	DT010 DT012 ▲		HBS039 ⊕ M10x1.50x175.00mm (x10)	JD551 ■ (x2) HA5028 ■ ■ JC702 ■ (x2) ⊙ JE189	JN658	PA858 HR599 ■ HR642 ■	NF817 36.00x50.00x7.00mm FPM



AD5710

65



75.00

Petrol





TU3A (K1H)	4 Cyl.	9.3:1	1360cc	47-49kW (64-67)PS	TD4272	828
BX	01/89→12/89		C15	07/87→12/96		





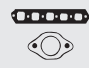




TB259 108x17 TB376 101x17	TBK007 108 Component No:AE1026TP;TB259 TBK004 101 Component No:AE1026TP;TB376	CAM731 [4]		FOL160 (x8)	

[4] Euro 3 (D3) [4] Euro 3 (D3) [4] Euro 3 (D3) [4] Euro 3 (D3)

V91271 ■ 37.00 x 7.00 x 112.50 V91273 ■ 29.50 x 7.00 x 112.50	OE 0948.58 0949.59	MAT. MB MD cr	30° 45°	H	VAG92401 ■ ■ 47.50 x 7.01 x 13.06 VAG96132 ■ ■ 47.60 x 7.03 x 13.11



	DT010			JD551 ■ (x2) JC702 ■ (x2)	JN658	HR599 ■	NF817 36.00x50.00x7.00mm FPM



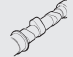



66	 75.00	Petrol				
TU3A (KFT)	4 Cyl.	10.2:1	1360cc	54kW (73)PS	TD24931	835
TU3A (KFT)	4 Cyl.	10.2:1	1360cc	54kW (73)PS	TD25070	836
206+	09/10→	C3	11/09→	NEMO	04/09→	

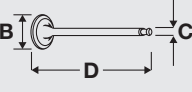



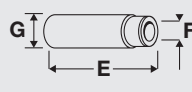




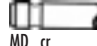

							
AD5700 Fibre Composite, 1.250mm AD5710 Fibre Composite, 1.500mm				JE5072 MLS		HR599 	NF817 36.00x50.00x7.00mm FPM











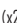



AD5710

67	 75.00	Petrol				
TU3A (KFV)	4 Cyl.	9.3:1	1360cc	54kW (73)PS	TD21111	836
TU3A (KFV)	4 Cyl.	9.3:1	1360cc	54kW (73)PS	TD23774	836
206	07/02→	206+	01/09→	207	02/06→	
207 SW	06/07→	BIPPER	02/08→	BIPPER Tepee	04/08→	
C3	02/02→	NEMO	02/08→	PARTNER	11/02→10/06	

					
TB711 104x17 [4] Euro 3 (D3)	TBK312 Component No:TB711;AE1168TP [4] Euro 3 (D3)	CAM731 [4] [4] Euro 3 (D3)	KIT [4] Euro 3 (D3)	FOL160 (x8)	

				
B x C x D	OE	MAT.	H	E x F x G
V91271  37.00 x 7.00 x 112.50	0948.58	 MB	30°	VAG92401  47.50 x 7.01 x 13.06
V91273  29.50 x 7.00 x 112.50	0949.59	 MD cr	45°	VAG96132  47.60 x 7.03 x 13.11

							
AD5700 Fibre Composite, 1.250mm AD5710 Fibre Composite, 1.500mm			HBS039  M10x1.50x175.00mm (x10)	HA5028  JC702  (x2) JE5072 MLS	JN658	HR599 	NF817 36.00x50.00x7.00mm FPM



AD5710

CITROEN/PEUGEOT

68



75.00

Petrol



TU3A (KFW)

4 Cyl.

10.2:1

1360cc

55kW (75)PS

TD25066

837



AD5700 Fibre Composite, 1.250mm
AD5710 Fibre Composite, 1.500mm

DT012 ▲

HBS039 ☉
M10x1.50x175.00mm (x10)

JD538 ■ (x4)
HA5028 ■ ■
JC702 ■ (x2)

JN658

HR599 ■
HR642 ■

NF817
36.00x50.00x7.00mm FPM



AD5710

69



75.00

Petrol



TU3A (KFW)

4 Cyl.

10.2:1

1360cc

55kW (75)PS

TD24927

838

206+

01/09 →

207

08/08 →



AD5700 Fibre Composite, 1.250mm
AD5710 Fibre Composite, 1.500mm

DT012 ▲

HBS039 ☉
M10x1.50x175.00mm (x10)

JD538 ■ (x4)
HA5028 ■ ■
JC702 ■ (x2)

JN658

HR646 ■

NF817
36.00x50.00x7.00mm FPM



AD5710

70



75.00

Petrol



TU3CP (KAY)

4 Cyl.

9.3:1

1360cc

44kW (60)PS

TD9546

829

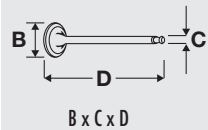
AX

12/86 → 12/88



TB259
108x17

TBK007
108
Component No:AE1026TP;TB259



OE



MAT.



30°

H

V91271 ■
37.00 x 7.00 x 112.50

0948.58



MB

V91273 ■
29.50 x 7.00 x 112.50

0949.59

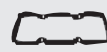


MD cr



VAG92401 ■ ■
47.50 x 7.01 x 13.06

VAG96132 ■ ■
47.60 x 7.03 x 13.11



AD5700 Fibre Composite, 1.250mm
AD5710 Fibre Composite, 1.500mm

DT010
DT012 ▲

HBS039 ☉
M10x1.50x175.00mm (x10)

JD551 ■ (x2)
HA5028 ■ ■
JC702 ■ (x2)
JE189

JN658

HR599 ■
HR642 ■

NF817
36.00x50.00x7.00mm FPM



AD5710

71



75.00

Petrol



TU3FJ2 (KFY) 4 Cyl. 9.3:1 1360cc 66kW (89)PS TD5078 840

AX 08/91→12/96

TB259 108x17	TBK007 108 Component No:AE1026TP;TB259		KIT		

	OE				
V91271 ■ 37.00 x 7.00 x 112.50	0948.58		30°	H	VAG92401 ■ ■ 47.50 x 7.01 x 13.06
V91273 ■ 29.50 x 7.00 x 112.50	0949.59		45°		VAG96132 ■ ■ 47.60 x 7.03 x 13.11

AY110 Fibre Composite BY170 Fibre Composite, 1.500mm	DY130 ▲ [10]	HBS039 ⊕ M10x1.50x175.00mm (x10)	HA5028 ■ ■ JC702 ■ (x2) ⊕JE189	JN658	HR599 ■ HR642 ■	NF817 36.00x50.00x7.00mm FPM

AY110 [10] With gaskets/seals	BY170 [10] Avec joints	[10] Con guarnizioni	[10] Con juntas

72



75.00

Petrol



TU3FJ2 (KFZ) 4 Cyl. 9.6-9.9 1360cc 69kW (94)PS TD5096 840

AX 06/91→12/96

TB376 101x17	TBK004 101 Component No:AE1026TP;TB376		KIT		

	OE				
V91271 ■ 37.00 x 7.00 x 112.50	0948.58		30°	H	VAG92401 ■ ■ 47.50 x 7.01 x 13.06
V91273 ■ 29.50 x 7.00 x 112.50	0949.59		45°		

AY110 Fibre Composite BY170 Fibre Composite, 1.500mm	DY130 ▲ [10]	HBS039 ⊕ M10x1.50x175.00mm (x10)	HA5028 ■ ■ JC702 ■ (x2) ⊕JE189	JN658	HR599 ■ HR642 ■	NF817 36.00x50.00x7.00mm FPM

AY110 [10] With gaskets/seals	BY170 [10] Avec joints	[10] Con guarnizioni	[10] Con juntas

CITROEN/PEUGEOT

73



75.00

Petrol



TU3FM (KDY) 4 Cyl. 9.3:1 1360cc 55kW (75)PS TD4277 841

AX 04/87→04/97 C15 05/91→12/96

TB259 108x17	TBK007 108				
TB376 101x17	Component No:AE1026TP;TB259 TBK004 101				
	Component No:AE1026TP;TB376				

B x C x D	OE	MAT.	30°	H	E x F x G
V91271 ■ 37.00 x 7.00 x 112.50	0948.58		30°	H	VAG92401 ■ ■ ■ 47.50 x 7.01 x 13.06
V91273 ■ 29.50 x 7.00 x 112.50	0949.59		45°		

BY130 Fibre Composite, 1.280mm	DY130 ▲ [10]		HBS039 ☉ M10x1.50x175.00mm (x10)	JD551 ■ JC702 ■ (x2)	JN658	HR599 ■ HR642 ■	NF817 36.00x50.00x7.00mm FPM
BY170 Fibre Composite, 1.500mm							



BY130
[10] With gaskets/seals

BY170
[10] Avec joints

[10] Con guarnizioni

[10] Con juntas

74



75.00

Petrol



TU3J2/Z (KFZ) 4 Cyl. 9.9:1 1360cc 69kW (93)PS TD2770 842

106 09/91→04/96

TB376 101x17	TBK004 101			FOL160 (x8)	
	Component No:AE1026TP;TB376				

AY110 Fibre Composite	DT010		HBS039 ☉ M10x1.50x175.00mm (x10)	JD551 ■ (x2) HA5028 ■ ■ ■ JC702 ■ (x2) JE189	JN658	HR642 ■	NF817 36.00x50.00x7.00mm FPM
AD5700 Fibre Composite, 1.250mm	DT012 ▲ DY130 ▲ [10]						



AY110
[10] With gaskets/seals

[10] Avec joints

[10] Con guarnizioni

[10] Con juntas

75



75.00

Petrol



TU3JP (KFV)	4 Cyl.	10.5:1	1360cc	58kW (79)PS	TD16464	844
TU3JP (KFV)	4 Cyl.	10.5:1	1360cc	55kW (75)PS	TD18518	843
206	05/06→09/07		1007	04/05→	C2	09/03→
C3	02/02→					

TB711 104x17	TBK312 Component No:TB711;AE1168TP	CAM733 [3] →07/98 CAM731 [5] CAM732 [6] 03/98→		FOL160 (x8)	

[3] Euro 2	[3] Euro 2	[3] Euro 2	[3] Euro 2
[5] Euro 3 (D3);Euro 4 (D4)	[5] Euro 3 (D3);Euro 4 (D4)	[5] Euro 3 (D3);Euro 4 (D4)	[5] Euro 3 (D3);Euro 4 (D4)
[6] Euro1 to Euro2	[6] Euro1 to Euro2	[6] Euro1 to Euro2	[6] Euro1 to Euro2

B x C x D	OE	MAT.				E x F x G
V91271 ■	0948.58		30°	H		VAG92401 ■ ■ ■ 47.50 x 7.01 x 13.06
37.00 x 7.00 x 112.50						
V91273 ■	0949.59		45°			VAG96132 ■ ■ ■ 47.60 x 7.03 x 13.11
29.50 x 7.00 x 112.50						

AD5700 Fibre Composite, 1.250mm	DT012 ▲		HBS039 ⊕ M10x1.50x175.00mm (x10)	JD538 ■ (x4) HA5028 ■ ■ ■ JC702 ■ (x2)	JN658	PA850 HR599 ■ HR642 ■	NF817 36.00x50.00x7.00mm FPM
AD5710 Fibre Composite, 1.500mm							



AD5710



TU3JP (KFW)	4 Cyl.	10.2:1	1360cc	55kW (75)PS	TD14729	845
TU3JP (KFW)	4 Cyl.	10.2:1	1360cc	55kW (75)PS	TD14731	845

106	05/96→	206	09/98→	306	05/93→04/02
307	08/00→	BERLINGO	07/96→	PARTNER	06/96→
SAXO	05/96→06/03	XSARA	04/97→08/05		

TB259 108x17 Eng.→3666765 TB711 104x17 Eng.3666766→	TBK007 108 Eng.→3666765 Component No:AE1026TP;TB259 TBK312 Eng.3666766→ Component No:TB711;AE1168TP	CAM733 [3] →07/98 CAM731 [5] CAM732 [6] 03/88→		FOL160 (x8)	

[3] Euro 2	[3] Euro 2	[3] Euro 2	[3] Euro 2
[5] Euro 3 (D3);Euro 4 (D4)	[5] Euro 3 (D3);Euro 4 (D4)	[5] Euro 3 (D3);Euro 4 (D4)	[5] Euro 3 (D3);Euro 4 (D4)
[6] Euro1 to Euro2	[6] Euro1 to Euro2	[6] Euro1 to Euro2	[6] Euro1 to Euro2

B x C x D	E x F x G
OE	
MAT.	
30°	H
V91271	VAG92401
37.00 x 7.00 x 112.50	47.50 x 7.01 x 13.06
V91273	VAG96132
29.50 x 7.00 x 112.50	47.60 x 7.03 x 13.11

AD5700 Fibre Composite, 1.250mm	DT012 ▲		HBS039	HA5028	JN658	HR599	NF817
AD5710 Fibre Composite, 1.500mm			M10x1.50x175.00mm (x10)	JC702			36.00x50.00x7.00mm FPM
				JE5072			
				MLS			



AD5710

77



75.00

Petrol

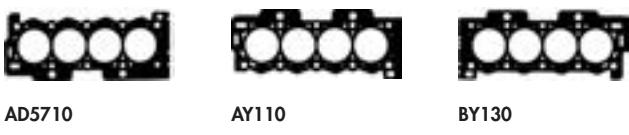


TU3JP (KFX)	4 Cyl.	10.2:1	1360cc	55kW (75)PS	TD5396	846
TU3JP (KFX)	4 Cyl.	10.2:1	1360cc	55kW (75)PS	TD6554	846
106	05/96→		205	07/88→09/98	206	09/98→
306	05/93→04/02		BERLINGO	07/96→	PARTNER	06/96→
SAXO	05/96→06/03		XSARA	04/97→08/05	ZX	03/91→10/97

TB259 108x17 Eng.→3666765 TB711 104x17 Eng.3666766→	TBK007 108 Eng.→3666765 Component No:AE1026TP;TB259 TBK312 Eng.3666766→ Component No:TB711;AE1168TP	CAM733 [3] →07/98 CAM731 [5] CAM732 [6] 03/98→		FOL160 (x8)	
[3] Euro 2 [5] Euro 3 (D3);Euro 4 (D4) [6] Euro1 to Euro2	[3] Euro 2 [5] Euro 3 (D3);Euro 4 (D4) [6] Euro1 to Euro2	[3] Euro 2 [5] Euro 3 (D3);Euro 4 (D4) [6] Euro1 to Euro2	[3] Euro 2 [5] Euro 3 (D3);Euro 4 (D4) [6] Euro1 to Euro2		

B x C x D	E x F x G
V91271	VAG92401
37.00 x 7.00 x 112.50	47.50 x 7.01 x 13.06
V91273	VAG96132
29.50 x 7.00 x 112.50	47.60 x 7.03 x 13.11

AY110 Fibre Composite AD5700 Fibre Composite, 1.250mm BY130 Fibre Composite, 1.280mm AD5710 Fibre Composite, 1.500mm	DT010 DT012 ▲		HBS039 M10x1.50x175.00mm (x10)	JD538 (x4) JD551 (x2) HA5028 JC702 (x2) JE189 JE5072 MLS	JN658	HR599 HR642	NF817 36.00x50.00x7.00mm FPM



AD5710

AY110

BY130

CITROEN/PEUGEOT

78



75.00

Petrol



TU3M (KDY)	4 Cyl.	9.3:1	1360cc	55kW (75)PS	TD5160	829
AX	04/87→04/97	BX	01/89→02/93	C15	05/91→12/96	
ZX	10/93→10/97					

TB259 108x17	TBK007 108			FOL160 (x8)	
TB376 101x17	Component No:AE1026TP;TB259 TBK004 101 Component No:AE1026TP;TB376				

V91271 ■ 37.00 x 7.00 x 112.50	0948.58		30°	H	VAG92401 ■ ■ ■ 47.50 x 7.01 x 13.06
V91273 ■ 29.50 x 7.00 x 112.50	0949.59		45°		VAG96132 ■ ■ ■ 47.60 x 7.03 x 13.11

AY110 Fibre Composite	DT010	DT012 ▲	HBS039 ⊕ M10x1.50x175.00mm (x10)	JD551 ■ (x2)	HA5028 ■ ■ ■	JC702 ■ (x2)	■	JN658	PA858	HR599 ■	HR642 ■	NF817 36.00x50.00x7.00mm FPM
AD5700 Fibre Composite, 1.250mm												
AD5710 Fibre Composite, 1.500mm												



AD5710



AY110

79

75.00

Petrol



TU3M/Z (KDX) 4 Cyl. 9.3:1 1360cc 55kW (75)PS TD5080 848

AX 04/87→04/97 ZX 03/91→10/97

TB259 108x17	TBK007 108 Component No:AE1026TP;TB259		KIT		

	OE				
V91271 37.00 x 7.00 x 112.50	0948.58		30°	H	VAG92401 47.50 x 7.01 x 13.06
V91273 29.50 x 7.00 x 112.50	0949.59		45°		VAG96132 47.60 x 7.03 x 13.11

BY130 Fibre Composite, 1.280mm	DT010	HBS039 M10x1.50x175.00mm (x10)	JD551 (x2) HA5028 JC702 (x2)	JN658	HR599	NF817 36.00x50.00x7.00mm FPM



BY130

80

75.00

Petrol



TU3M/Z (KDZ) 4 Cyl. 9.3:1 1360cc 55kW (75)PS TD683 829

AX 04/87→04/97 BX 01/89→02/93 ZX 03/91→06/97

TB259 108x17	TBK007 108 Component No:AE1026TP;TB259		KIT		

	OE				
V91271 37.00 x 7.00 x 112.50	0948.58		30°	H	VAG92401 47.50 x 7.01 x 13.06
V91273 29.50 x 7.00 x 112.50	0949.59		45°		VAG96132 47.60 x 7.03 x 13.11

AD5700 Fibre Composite, 1.250mm BY130 Fibre Composite, 1.280mm AD5710 Fibre Composite, 1.500mm	DT010 DT012	HBS039 M10x1.50x175.00mm (x10)	JD551 (x2) HA5028 JC702 (x2) 	JN658	HR642	NF817 36.00x50.00x7.00mm FPM



AD5710



BY130

CITROEN/PEUGEOT

81



75.00

Petrol



TU3S (K2B) 4 Cyl. 9.3:1 1360cc 62kW (84)PS TD2779 849

205 06/87→06/94 309 03/89→07/89

TB259 108x17	TBK007 108 Component No:AE1026TP;TB259		KIT	FOL160 (x8)	

B x C x D	OE	MAT.	30°	H	E x F x G
V91271 ■ 37.00 x 7.00 x 112.50	0948.58		30°	H	VAG92401 ■ ■ ■ 47.50 x 7.01 x 13.06
V91273 ■ 29.50 x 7.00 x 112.50	0949.59		45°		VAG96132 ■ ■ ■ 47.60 x 7.03 x 13.11

	DT010		HBS011 Ⓢ M12x1.25x119.00mm (x12)	JD551 ■ (x2) HA5028 ■ ■ ■ JC702 ■ (x2)	JN658	HR599 ■	NF817 36.00x50.00x7.00mm FPM

82



75.00

Petrol



TU3S (K2B) 4 Cyl. 9.3:1 1360cc 62kW (84)PS TD669 849

AX 01/88→12/92

TB259 108x17	TBK007 108 Component No:AE1026TP;TB259		KIT	FOL160 (x8)	

B x C x D	OE	MAT.	30°	H	E x F x G
V91271 ■ 37.00 x 7.00 x 112.50	0948.58		30°	H	VAG92401 ■ ■ ■ 47.50 x 7.01 x 13.06
V91273 ■ 29.50 x 7.00 x 112.50	0949.59		45°		VAG96132 ■ ■ ■ 47.60 x 7.03 x 13.11

AD5700 Fibre Composite, 1.250mm	DT010		HBS011 Ⓢ M12x1.25x119.00mm (x12)	JD551 ■ (x2) HA5028 ■ ■ ■ JC702 ■ (x2)	JN658	HR599 ■	NF817 36.00x50.00x7.00mm FPM

83



75.00

Petrol



TU32	4 Cyl.	9.3:1	1360cc	51-52kW (70-71)PS	TD8507	850
205	08/90→07/98	PARTNER		06/96→		

 B x C x D				 E x F x G			
V91271 ■	0948.58		30°	H	VAG92401 ■ ■		
37.00 x 7.00 x 112.50		MB			47.50 x 7.01 x 13.06		
V91273 ■	0949.59		45°		VAG96132 ■ ■		
29.50 x 7.00 x 112.50		MD cr			47.60 x 7.03 x 13.11		

				HA5028 ■ ■		HR599 ■	NF817 36.00x50.00x7.00mm FPM

84



75.00

Diesel



TUD3 (K9A)	4 Cyl.	22:1	1360cc	39kW (53)PS	TD5079	851
TUD3Y (K9Y)	4 Cyl.	22:1	1360cc	39kW (53)PS	TD5092	851
TUD3Y (K9Y)	4 Cyl.	22:1	1361cc	39kW (53)PS	TD2786	855

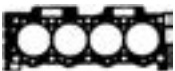
106	09/92→04/96	AX	09/88→12/97	ZX	07/94→10/97
-----	-------------	----	-------------	----	-------------

TB245 143x25.4	TBK030 Component No:TB245; AE1043TP;AE1044GP	CAM461	KIT		FOL126 (x8) [1]

[1] Mechanical [1] Mécanique [1] Meccanico [1] Mecánico

 B x C x D				 E x F x G			
V91313 ■	95 638 449		45°	H	VAG96049 ■ ■		
35.50 x 7.00 x 108.50		MB			40.20 x 7.02 x 13.08		
V91314 ■	95 638 450		45°		VAG96208 ■ ■		
30.50 x 7.00 x 108.00		MD			43.00 x 7.02 x 13.08		

BS730 Steel Elastomer, 1.800mm	DS731 ▲		HBS082 ☉ M10x1.50x185.00mm (x10)	JF067	JN758	PA858 HR642 ■	NF817 36.00x50.00x7.00mm FPM



BS730, BY120

CITROEN/PEUGEOT

85



75.00

Petrol



TU3A (K1D) 4 Cyl. 9.3:1 1361cc 49kW (67)PS TD2766 829

205 10/87→12/94 309 03/89→12/93

TB259 108x17	TBK007 108 Component No:AE1026TP;TB259	CAM731 [4]		FOL160 (x8)	

[4] Euro 3 (D3) [4] Euro 3 (D3) [4] Euro 3 (D3) [4] Euro 3 (D3)

B x C x D	OE	MAT.	30° 45°	H	E x F x G
V91271 ■ 37.00 x 7.00 x 112.50	0948.58		30°	H	VAG92401 ■ ■ ■ 47.50 x 7.01 x 13.06
V91273 ■ 29.50 x 7.00 x 112.50	0949.59		45°		VAG96132 ■ ■ ■ 47.60 x 7.03 x 13.11

AD5700 Fibre Composite, 1.250mm AD5710 Fibre Composite, 1.500mm	DT010 DT012 ▲		HBS039 ⊕ M10x1.50x175.00mm (x10)	JD551 ■ (x2) HA5028 ■ ■ ■ JC702 ■ (x2) 	JN658	HR599 ■ HR642 ■	NF817 36.00x50.00x7.00mm FPM



AD5710

86



75.00

Petrol



TU3CP (KAY) 4 Cyl. 9.3:1 1361cc 44kW (60)PS TD2767 852

205 08/87→09/93

TB259 108x17	TBK007 108 Component No:AE1026TP;TB259				

B x C x D	OE	MAT.	30° 45°	H	E x F x G
V91271 ■ 37.00 x 7.00 x 112.50	0948.58		30°	H	VAG92401 ■ ■ ■ 47.50 x 7.01 x 13.06
V91273 ■ 29.50 x 7.00 x 112.50	0949.59		45°		VAG96132 ■ ■ ■ 47.60 x 7.03 x 13.11

AD5700 Fibre Composite, 1.250mm AD5710 Fibre Composite, 1.500mm	DT010 DT012 ▲		HBS039 ⊕ M10x1.50x175.00mm (x10)	JD551 ■ (x2) HA5028 ■ ■ ■ JC702 ■ (x2) 	JN658	HR642 ■	NF817 36.00x50.00x7.00mm FPM



AD5710

87



75.00

Petrol



TU3M (KDY) 4 Cyl. 9.3:1 1361cc **55-58kW (75-79)PS** **TD4836** **853**

106 09/91→04/96 **205** 07/88→09/98 **309** 03/89→12/93

TB259 108x17 TB376 101x17	TBK007 108 Component No:AE1026TP;TB259 TBK004 101 Component No:AE1026TP;TB376		KIT	FOL160 (x8)	

B x C x D	E x F x G	MAT.	30°	H	
V91271 ■ 37.00 x 7.00 x 112.50	VAG92401 ■ ■ ■ 47.50 x 7.01 x 13.06	0948.58 MB	45°		
V91273 ■ 29.50 x 7.00 x 112.50	VAG96132 ■ ■ ■ 47.60 x 7.03 x 13.11	0949.59 MD cr			

AY110 Fibre Composite	DT010		HBS039 ⊕ M10x1.50x175.00mm (x10)	JD551 ■ (x2)	JN658	HR599 ■	NF817
AD5700 Fibre Composite, 1.250mm	DT012 ▲			HA5028 ■ ■ ■		HR642 ■	36.00x50.00x7.00mm FPM
AD5710 Fibre Composite, 1.500mm				JC702 ■			



AD5710



AY110

CITROEN/PEUGEOT

88



75.00

Petrol



TU3M (KDZ)

4 Cyl.

9.3:1

1361cc

55kW (75)PS

TD2775

854

205

07/88→09/98

309

03/89→12/93

TB259 108x17 →01/91	TBK007 108 →01/91			FOL160 (x8)	
TB376 101x17 02/91→	Component No:AE1026TP;TB259 TBK004 101 02/91→ Component No:AE1026TP;TB376				

B x C x D	E x F x G	MAT.	30°	H	
V91271 ■ 37.00 x 7.00 x 112.50	VAG92401 ■ ■ 47.50 x 7.01 x 13.06	MB	45°		
V91273 ■ 29.50 x 7.00 x 112.50	VAG96132 ■ ■ 47.60 x 7.03 x 13.11	MD cr			

AY110 Fibre Composite	DT010		HBS039 ⊕ M10x1.50x175.00mm (x10)	JD551 ■ (x2) HA5028 ■ ■ JC702 ■	JN658	HR599 ■ HR642 ■	NF817 36.00x50.00x7.00mm FPM
AD5700 Fibre Composite, 1.250mm							
AD5710 Fibre Composite, 1.500mm							



AD5710



AY110

89

75.00

Petrol



TU3MC (KDX)	4 Cyl.	9.3:1	1361cc	55-56kW (75-76)PS	TD2777	854
106	09/91→04/96		205	08/90→07/98	306	05/93→05/01
405	08/92→10/96					

TB376 101x17	TBK004 101 Component No:AE1026TP;TB376		KIT		

	OE				
B x C x D		MAT.		H	E x F x G
V91271	0948.58		30°		VAG92401
37.00 x 7.00 x 112.50		MB			47.50 x 7.01 x 13.06
V91273	0949.59		45°		VAG96132
29.50 x 7.00 x 112.50		MD cr			47.60 x 7.03 x 13.11

AY110 Fibre Composite	DT010	HBS039	JD551 (x2)	JN658	HR599	NF817
AD5700 Fibre Composite, 1.250mm		M10x1.50x175.00mm (x10)	HA5028		HR642	36.00x50.00x7.00mm FPM
AD5710 Fibre Composite, 1.500mm			JC702 (x2)			



AD5710



AY110

CITROEN/PEUGEOT

90



75.00

Diesel



DV6ATED4 (9HV)	4 Cyl.	17.6:1	1560cc	66kW (90)PS		TD24730	856
DV6ATED4 (9HX) Euro 4	4 Cyl.	18:1	1560cc	66kW (90)PS	Turbo Intercooled	TD19913	857
DV6ATED4 (9HX) Euro 4	4 Cyl.	17.6:1	1560cc	66kW (92)PS	Turbo Intercooled	TD20147	857
DV6TED4 (9HY)	4 Cyl.	17.6:1	1560cc	80kW (109)PS	Turbo Intercooled	TD19911	857
DV6TED4 (9HY) Euro 4	4 Cyl.	17.6:1	1560cc	80kW (109)PS	Turbo Intercooled	TD17506	857
DV6TED4 (9HZ) Euro 4	4 Cyl.	17.6:1	1560cc	80kW (109)PS	Turbo Intercooled	TD18520	857
DV6TED4 (9HZ) Euro 4	4 Cyl.	18:1	1560cc	80kW (109)PS	Turbo Intercooled	TD19824	857

206	05/04→	207	02/06→	207 CC	02/07→
207 SW	06/07→	307	02/04→	308	09/07→
308 SW	09/07→	407	05/04→	1007	06/07→
3008	06/09→	5008	09/09→	BERLINGO	07/05→
C2	09/05→	C3	09/05→	C3 Picasso	02/09→
C4	11/04→	C4 Grand Picasso	10/06→	C4 Picasso	02/07→
C5	09/04→	PARTNER	02/06→	PARTNER Tepee	04/08→
XSARA PICASSO	05/04→				

TB724 137x25.4	TBK302 Component No:TB724; AE1164GP;AE1163GP	CAM746 ■ CAM747 ■	KIT	FOL184 (x16)	FOL152 (x16)

V94960 ■ 25.60 x 5.50 x 96.35	V94961 ■ 23.40 x 5.50 x 96.50	MAT. MB cr MG cr	45° 45° ss	H H	E x F x G

AD5130 MLS, 1.250mm, 2 Notches AD5140 MLS, 1.300mm, 3 Notches AD5150 MLS, 1.350mm, 1 Notch AD5160 MLS, 1.400mm, 4 Notches AD5170 MLS, 1.450mm, 5 Notches	CD5140 ▲	HBS359 ⊕ M11x1.50x147.00mm (x10)	JD5830 ■ ■ HA5031 ■ ■ ■ HA5030 ■ ■ ■ JD5829 ■	JM7034 (Elastomer)	NA5258 27.00x47.00x7.00mm PTFE



AD5130, AD5140, AD5150, AD5160, AD5170

91



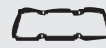
75.00

Diesel



DV6AUTED4 (9HX) Euro 4	4 Cyl.	18:1	1560cc	66kW (90)PS	Turbo Intercooled	TD25064	858
DV6BTED4 (9HW)	4 Cyl.		1560cc	55kW (75)PS		TD27840	860
DV6C (9HR)	4 Cyl.	17.6:1	1560cc	82kW (112)PS	Turbo	TD25690	861
DV6C (9HR)	4 Cyl.	17.6:1	1560cc	82kW (112)PS	Turbo Intercooled	TD26421	861

207	08/09→	207 CC	08/09→	207 SW	08/09→
308	12/09→	308 CC	06/09→	308 SW	12/09→
508	11/10→	508 SW	11/10→	3008	08/10→
5008	08/10→	BERLINGO	07/10→	C3	11/09→
C3 Picasso	05/10→	C4	11/09→	C4 Grand Picasso	09/10→
C4 Picasso	09/10→	C5	07/10→	DS3	11/09→
DS4	04/11→	DS5	11/11→		



NA5258
27.00x47.00x7.00mm PTFE

92



75.00

Diesel

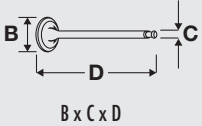


DV6B Euro 4	4 Cyl.	23:1	1560cc	55kW (75)PS	Turbo	TD18832	858
BERLINGO	07/05→						

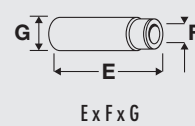


TB724
137x25.4

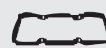
TBK302
Component No:TB724;
AE1164GP;AE1163GP



OE



V94960 ■	0948.C7		45°	H
25.60 x 5.50 x 96.35		MB cr		
V94961 ■	0949.C3		45°	H
23.40 x 5.50 x 96.50		MG cr		



AD5130 MLS, 1.250mm, 2 Notches			HBS359 ⊕			NA5258
AD5140 MLS, 1.300mm, 3 Notches			M11x1.50x147.00mm (x10)			27.00x47.00x7.00mm PTFE
AD5150 MLS, 1.350mm, 1 Notch						
AD5160 MLS, 1.400mm, 4 Notches						
AD5170 MLS, 1.450mm, 5 Notches						



AD5130, AD5140, AD5150, AD5160, AD5170

CITROEN/PEUGEOT

93



75.00

Diesel



DV6BTEd4 (9HT) Euro 4	4 Cyl.	17.6:1	1560cc	55kW (75)PS	Turbo Intercooled	TD21321	859
DV6BTEd4 (9HT) Euro 4	4 Cyl.		1560cc	55kW (75)PS	Turbo Intercooled	TD23537	859

BERLINGO	04/08→	PARTNER	04/08→	PARTNER Tepee	04/08→
----------	--------	---------	--------	---------------	--------

TB724 137x25.4	TBK302 Component No:TB724; AE1164GP;AE1163GP		KIT		

B x C x D	E x F x G
V94960 ■ 25.60 x 5.50 x 96.35	V94961 ■ 23.40 x 5.50 x 96.50
OE: 0948.C7	OE: 0949.C3
MAT: MB cr	MAT: MG cr
45°	45° ss
H	H

AD5130 MLS, 1.250mm, 2 Notches AD5140 MLS, 1.300mm, 3 Notches AD5150 MLS, 1.350mm, 1 Notch AD5160 MLS, 1.400mm, 4 Notches AD5170 MLS, 1.450mm, 5 Notches	CD5140 ▲	HBS359 ⊕ M11x1.50x147.00mm (x10)	JD5830 ■■ HA5031 ■■ HA5030 ■■ JD5829 ■	NA5258 27.00x47.00x7.00mm PTFE



AD5130, AD5140, AD5150, AD5160, AD5170

94



75.00

Diesel



DV6BTEd4 (9HW) Euro 4	4 Cyl.		1560cc	55kW (75)PS	Turbo Intercooled	TD24701	860
DV6UTED4 (9HU)	4 Cyl.	18:1	1560cc	66kW (90)PS	Turbo Intercooled	TD24692	863
DV6UTED4 (9HU)	4 Cyl.	18:1	1560cc	66kW (90)PS	Turbo Intercooled	TD24693	863

EXPERT	01/07→	EXPERT Tepee	01/07→	JUMPY	01/07→
PARTNER	02/06→				

TB724 137x25.4	TBK302 Component No:TB724; AE1164GP;AE1163GP		KIT		

B x C x D	E x F x G
V94960 ■ 25.60 x 5.50 x 96.35	V94961 ■ 23.40 x 5.50 x 96.50
OE: 0948.C7	OE: 0949.C3
MAT: MB cr	MAT: MG cr
45°	45° ss
H	H

				NA5258 27.00x47.00x7.00mm PTFE

95







 75.00
















Diesel



DV6BUTED4 (9HT) Euro 4 4 Cyl. 1560cc 55kW (75)PS Turbo Intercooled TD21322 859

BERLINGO 04/08 →

					
TB724 137x25.4	TBK302 Component No:TB724; AE1164GP;AE1163GP				

						
AD5130 MLS, 1.250mm, 2 Notches AD5140 MLS, 1.300mm, 3 Notches AD5150 MLS, 1.350mm, 1 Notch AD5160 MLS, 1.400mm, 4 Notches AD5170 MLS, 1.450mm, 5 Notches	CD5140 ▲	HBS359  M11x1.50x147.00mm (x10)	JD5830   HA5031   S HA5030   S JD5829 			NA5258 27.00x47.00x7.00mm PTFE



AD5130, AD5140, AD5150, AD5160, AD5170

96

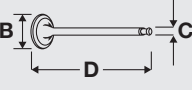



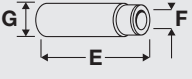

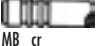

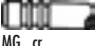
 75.00
















Diesel



DV6ETED (9HW) Euro 4 4 Cyl. 17.6:1 1560cc 55kW (75)PS Turbo Intercooled TD25632 859

BERLINGO 07/05 →

					
B x C x D	OE	MAT.	45°	H	E x F x G
V94960  25.60 x 5.50 x 96.35	0948.C7	 MB cr	45°	H	
V94961  23.40 x 5.50 x 96.50	0949.C3	 MG cr	45° ss	H	

						
AD5130 MLS, 1.250mm, 2 Notches AD5140 MLS, 1.300mm, 3 Notches AD5150 MLS, 1.350mm, 1 Notch AD5160 MLS, 1.400mm, 4 Notches AD5170 MLS, 1.450mm, 5 Notches	CD5140 ▲	HBS359  M11x1.50x147.00mm (x10)	JD5830   HA5031   S HA5030   S JD5829 			NA5258 27.00x47.00x7.00mm PTFE



AD5130, AD5140, AD5150, AD5160, AD5170

CITROEN/PEUGEOT

97


76.00
Petrol


XL3	4 Cyl.	8.8:1	1290cc	48kW (65)PS	TD2816	864
XL3S	4 Cyl.	8.8:1	1290cc	50-55kW (69-75)PS	TD2818	864
304	10/69 → 07/76					

	DG210 ○ [11]	GG210 ○ [10]		JE647 LT634		HR300 ■	
[10] With gaskets/seals [11] Without gaskets/seals	[10] Avec joints [11] Sans joints	[10] Con guarnizioni [11] Senza guarnizioni		[10] Con juntas [11] Sin juntas			

98


76.00
Petrol

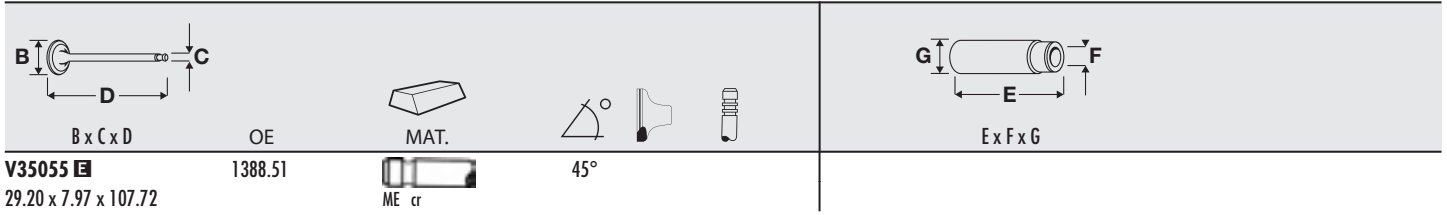

EP3	4 Cyl.	1397cc	70kW (95)PS	TD24067
207	06/07 →	207 SW	06/07 →	308 09/07 →

					FOL185 ■ (x8) FOL191 ■ (x8)

B x C x D	E x F x G
V95035 ■ 30.00 x 5.00 x 97.00	V95036 ■ 25.10 x 5.00 x 110.65
OE: 0949.F9	OE: 0949.F6
MAT: MB	MAT: MG
45°	45°
H	H

AH6440 MLS, 0.900mm	CH6440 MLS 01/01 →		HBS522 ⊕ [21] 01/06 →	JD6034 ■ (x4) (Elastomer)			
[21] Without plain washer; Thread Pitch 1 [mm]: 1.51	[21] Sans rondelle de calage; Pas de vis 1 [mm]: 1.51		[21] Senza rondella d'appoggio; Passo filettatura 1 [mm]: 1.51	[21] Sin arandela; Paso rosca 1 [mm]: 1.51			

99	76.70	Petrol				
G1A	4 Cyl.	9.5:1	1294cc	47-48kW (64-65)PS	TD4833	865
G1A	4 Cyl.	9.5:1	1294cc	47kW (64)PS	TD6565	865
Y2/K	4 Cyl.	9.8:1	1442cc	61-63kW (83-86)PS	TD12429	866
205	02/84→07/92	309	10/85→12/89	C15	07/87→05/88	



V35055
29.20 x 7.97 x 107.72

1388.51

ME cr

45°

BF170 Fibre Composite, 1.300mm	DF106 ▲○ [11]			JB836 ■	JN238	HR569	NF817
BG490 Fibre Composite, 1.800mm	DF107 ▲ [11]			JB837			36.00x50.00x7.00mm FPM



BF170, BG490

[11] Without gaskets/seals [11] Sans joints [11] Senza guarnizioni [11] Sin juntas

100	77.00	Petrol				
V06/665	2 Cyl.	9.5:1	652cc	24kW (33)PS	TD741	867
VISA	07/82→03/91					

		GF054 ▲ [10]		JB864 ■ (x2)	JN232 (x2)		
				JB830 (x2)			

[10] With gaskets/seals [10] Avec joints [10] Con guarnizioni [10] Con juntas

101	77.00	Petrol				
V06 630	2 Cyl.	9.5:1	652cc	25kW (34)PS	TD737	868
V06 644	2 Cyl.	9.5:1	652cc	25kW (34)PS	TD738	868
AXEL	10/81→03/91	LNA	11/78→07/86	VISA	09/78→06/88	

		GF053 ▲					
		→04/80					
		GF054 ▲ [10]					
		05/80→					

[10] With gaskets/seals [10] Avec joints [10] Con guarnizioni [10] Con juntas

102	77.00	Petrol				
G12/619	4 Cyl.	8.2:1	1222cc	43kW (58)PS	TD5098	869
GS	09/75→07/79					

		GF492 ▲○ [10]			HL358		NF677 (x2)
							28.00x52.00x10.00mm ACM

[10] With gaskets/seals [10] Avec joints [10] Con guarnizioni [10] Con juntas

CITROEN/PEUGEOT

103



77.00

Petrol



EP3 (8FP)	4 Cyl.	11:1	1397cc	70kW (95)PS	TD25076
C3	11/09→		C3 Picasso	02/09→	C4
DS3	04/10→				11/09→

					FOL185 (x8) FOL191 (x8)

B x C x D	OE	MAT.	45°	H	E x F x G
V95035	0949.F9		45°	H	
30.00 x 5.00 x 97.00		MB			
V95036	0949.F6		45°	H	
25.10 x 5.00 x 110.65		MG			

AH6440 MLS, 0.900mm				JD6034 (x4) (Elastomer)			

104



77.00

Petrol



EP3 (8FR)	4 Cyl.	11:1	1397cc	72kW (98)PS	TD25077
EP6CB (5FK)	4 Cyl.	10.5:1	1598cc	72kW (98)PS	TD25065
BERLINGO	07/10→				

AH6440 MLS, 0.900mm				JD6034 (x4) (Elastomer)			

105	77.00	Petrol			
EP3 (8FS)	4 Cyl.	11:1	1397cc	70kW (95)PS	TD24725
EP3 (8FS)	4 Cyl.	11:1	1397cc	70kW (95)PS	TD24728
EP6 (5FW) Euro 4	4 Cyl.	11:1	1598cc	88kW (120)PS	TD20086
207	02/07→	207 CC	02/07→	207 SW	06/07→
208	03/12→	308	09/07→	308 CC	06/09→
308 SW	09/07→	3008	06/09→	5008	09/09→
C3 Picasso	02/09→				

					FOL185 (x8) FOL191 (x8)

B x C x D	E x F x G			
OE	MAT.			
V95035	0949.F9		45°	H
30.00 x 5.00 x 97.00				
V95036	0949.F6		45°	H
25.10 x 5.00 x 110.65				

AH6440 MLS, 0.900mm	CH6440 MLS 01/01→	HBS522 [21] 01/06→	JD6034 (x4) (Elastomer)			
[21] Without plain washer; Thread Pitch 1 [mm]: 1.51	[21] Sans rondelle de calage; Pas de vis 1 [mm]: 1.51		[21] Senza rondella d'appoggio; Passo filettatura 1 [mm]: 1.51		[21] Sin arandela; Paso rosca 1 [mm]: 1.51	

106	77.00	Petrol			
EP3C	4 Cyl.	11:1	1397cc	70kW (95)PS	TD26999
207	06/07→	207 SW	06/07→	208	03/12→
					FOL185 (x8) FOL191 (x8)
			JD6034 (x4) (Elastomer)		

CITROEN/PEUGEOT

107



77.00

Diesel



TUD5 (VJX)

4 Cyl.

23:1

1527cc

40kW (54)PS

TD16193

870

106

04/98→

106 Van

10/00→03/01

TB457 136x25.4	TBK041 Component No:TB457; AE1044GP;AE1043TP TBK308 Component No:TB457; AE1170GP;AE1043TP	CAM461			FOL126 (x8) [1]

[1] Mechanical

[1] Mécanique

[1] Meccanico

[1] Mecánico

B x C x D	E x F x G
OE	
MAT.	
V94171	VAG96049
37.00 x 7.00 x 108.50	40.20 x 7.02 x 13.08
V94172	
31.55 x 7.00 x 108.20	

BY150 Fibre Composite, 1.750mm	DY150 [10]		HBS113 M11x1.50x185.00mm (x10)	JF067	JP041	HR642	NF817 36.00x50.00x7.00mm FPM



BY150

[10] With gaskets/seals

[10] Avec joints

[10] Con guarnizioni

[10] Con juntas

108



77.00

Diesel



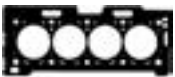
TUD5 (VJY)	4 Cyl.	23:1	1527cc	42kW (57)PS	TD11890	870
TUD5 (VJY)	4 Cyl.	23:1	1527cc	42kW (57)PS	TD4842	870
106	06/94→		106 Van	05/96→03/01	AX	08/94→12/97
SAXO	09/96→09/03					

TB457 136x25.4	TBK041 Component No:TB457; AE1044GP;AE1043TP	CAM461			FOL126 (x8) [1]

[1] Mechanical [1] Mécanique [1] Meccanico [1] Mecánico

B x C x D	E x F x G
V94171	VAG96049
0948.A8 37.00 x 7.00 x 108.50	40.20 x 7.02 x 13.08
V94172	
0949.80 31.55 x 7.00 x 108.20	

BY150 Fibre Composite, 1.750mm	DY150 ▲ [10]		HBS113	JD498	JP041	HR599	NF817
			M11x1.50x185.00mm (x10)			HR642	36.00x50.00x7.00mm FPM



BY150
[10] With gaskets/seals [10] Avec joints [10] Con guarnizioni [10] Con juntas

CITROEN/PEUGEOT

109



77.00

Diesel



TUD5 (VJZ)	4 Cyl.	23:1	1527cc	42kW (57)PS	TD4296	870
AX	08/94→12/97	SAXO	09/96→06/01	XSARA	04/97→09/00	

TB457 136x25.4	TBK041 Component No:TB457; AE1044GP;AE1043TP	CAM461			FOL126 (x8) [1]

[1] Mechanical [1] Mécanique [1] Meccanico [1] Mecánico

B x C x D	OE	MAT.	45°	H	E x F x G
V94171 ■ 37.00 x 7.00 x 108.50	0948.A8		45°		VAG96049 ■ ■ ■ 40.20 x 7.02 x 13.08
V94172 ■ 31.55 x 7.00 x 108.20	0949.80		45°		

BY150 Fibre Composite, 1.750mm	CY140 ▲ [10] DY150 ▲ [10]		HBS113 ⊕ M11x1.50x185.00mm (x10)	JF067	JP041	HR599 ■ HR642 ■	NF817 36.00x50.00x7.00mm FPM



BY150
[10] With gaskets/seals [10] Avec joints [10] Con guarnizioni [10] Con juntas

110



77.00

Petrol





EP6 (5FW)	4 Cyl.	11:1	1598cc	88kW (120)PS	TD24724
EP6C (5FS)	4 Cyl.	10.5:1	1598cc	88kW (120)PS	TD24934







BERLINGO	11/09→	C3	11/09→	C3 Picasso	02/09→
C4	07/08→	C4 Grand Picasso	07/08→	C4 Picasso	07/08→
C5	07/10→	DS3	04/10→	DS4	04/11→









					FOL185 ■ (x8) FOL191 ■ (x8)



AH6440 MLS, 0.900mm	CH6440 MLS 01/01→		HBS522 ⊕ [21] 01/06→	JD6034 ■ (x4) (Elastomer)			

[21] Without plain washer; Thread Pitch 1 [mm]: 1.51 [21] Sans rondelle de calage; Pas de vis 1 [mm]: 1.51 [21] Senza rondella d'appoggio; Passo filettatura 1 [mm]: 1.51 [21] Sin arandela; Paso rosca 1 [mm]: 1.51







111		77.00	Petrol		
EP6C (5FS)	4 Cyl.	10.5:1	1598cc	88kW (120)PS	TD25101
207	02/07→		508	11/10→	508 SW 11/10→
2008	03/13→		3008	06/09→	5008 09/09→
PARTNER Tepee	04/10→				









					
					FOL185 (x8) FOL191 (x8)

							
AH6440 MLS, 0.900mm	CH6440 MLS		HBS522 (21) 01/06→	JD6034 (x4) (Elastomer)			
[21] Without plain washer; Thread Pitch 1 [mm]: 1.51	[21] Sans rondelle de calage; Pas de vis 1 [mm]: 1.51			[21] Senza rondella d'appoggio; Passo filettatura 1 [mm]: 1.51			[21] Sin arandela; Paso rosca 1 [mm]: 1.51

112		77.00	Petrol			
EP6CDT (5FV)	4 Cyl.	10.5:1	1598cc	115kW (156)PS	Turbo Intercooled	TD24936
EP6DT (5FR)	4 Cyl.	10.5:1	1598cc	115kW (156)PS	Turbo Intercooled	TD24702
EP6DT (5FR)	4 Cyl.	10.5:1	1598cc	115kW (156)PS	Turbo Intercooled	TD24933
EP6DT (5FT)	4 Cyl.	10.5:1	1598cc	103kW (140)PS	Turbo Intercooled	TD24694
EP6DT (5FT)	4 Cyl.	10.5:1	1598cc	103kW (140)PS	Turbo Intercooled	TD24695
EP6DT (5FV)	4 Cyl.	10.5:1	1598cc	115kW (156)PS	Turbo Intercooled	TD24666
EP6DT (5FV)	4 Cyl.	10.5:1	1598cc	115kW (156)PS	Turbo Intercooled	TD24696
EP6DTS (5FY) Euro 4	4 Cyl.	10.5:1	1598cc	128kW (175)PS	Turbo Intercooled	TD24723

207	02/07→	207 CC	10/09→	207 SW	02/07→
308	09/07→	308 CC	06/09→	308 SW	09/07→
3008	06/09→	C4	07/08→	C4 Grand Picasso	07/08→
C4 Picasso	07/08→	C5	04/09→	DS3	04/10→
DS4	04/11→	DS5	11/11→		

					
					FOL185 (x16)

							
AH6730 MLS, 0.9mm	CH6730 MLS		HBS522 (21) 01/06→		HM5371 (2)		



AH6730

[21] Without plain washer;
Thread Pitch 1 [mm]: 1.51

[21] Sans rondelle de calage;
Pas de vis 1 [mm]: 1.51

[21] Senza rondella d'appoggio;
Passo filettatura 1 [mm]: 1.51

[21] Sin arandela;
Paso rosca 1 [mm]: 1.51

CITROEN/PEUGEOT

113



77.00

Petrol



EP6CDT Euro 5	4 Cyl.	10.5:1	1598cc	115kW (156)PS	Turbo Intercooled	TD24068
208	03/12→		308	10/09→	308 CC	06/09→
308 SW	10/09→		508	11/10→	508 SW	11/10→
5008	09/09→		RCZ	03/10→		

		CAM910			FOL185 (x16)
		CAM911			

B x C x D	OE	MAT.	45°	H	E x F x G
V95037	0948.E8		45°	H	
28.80 x 5.00 x 105.70		MB			
V95038	0949.E2		45°	H	
26.25 x 5.00 x 110.10		MG			

AH6730 MLS, 0.9mm	CH6730 MLS		HB5522 [21] 01/06→		HM5371		



AH6730
 [21] Without plain washer;
 Thread Pitch 1 [mm]: 1.51

[21] Sans rondelle de calage;
 Pas de vis 1 [mm]: 1.51

[21] Senza rondella d'appoggio;
 Passo filettatura 1 [mm]: 1.51

[21] Sin arandela;
 Paso rosca 1 [mm]: 1.51

114



77.00

Petrol



EP6CDTX (5FY)	4 Cyl.	10.5:1	1598cc	147kW (200)PS	TD27049
---------------	--------	--------	--------	---------------	---------

AG9750 MLS	CH6730 MLS		HB5522 [21]		HM5371		

[21] Without plain washer;
 Thread Pitch 1 [mm]: 1.51

[21] Sans rondelle de calage;
 Pas de vis 1 [mm]: 1.51

[21] Senza rondella d'appoggio;
 Passo filettatura 1 [mm]: 1.51

[21] Sin arandela;
 Paso rosca 1 [mm]: 1.51

115	77.00	Petrol				
EP6CDTX Euro 5	4 Cyl.	10.5:1	1598cc	147kW (200)PS	Turbo Intercooled	TD24069
308	07/10→		308 CC	10/10→	RCZ	06/10→

			KIT		
					FOL185 (x8) FOL191 (x8)

AH6730 MLS, 0.9mm	CH6730 MLS		HBS522 [21] 01/06→		HM5371		



AH6730
 [21] Without plain washer; Thread Pitch 1 [mm]: 1.51
 [21] Sans rondelle de calage; Pas de vis 1 [mm]: 1.51
 [21] Senza rondella d'appoggio; Passo filettatura 1 [mm]: 1.51
 [21] Sin arandela; Paso rosca 1 [mm]: 1.51

116	77.00	Petrol				
EP6DT (5FX) Euro 4	4 Cyl.	10.5:1	1598cc	110kW (150)PS	Turbo Intercooled	TD23516
EP6DT (5FX) Euro 4	4 Cyl.	10.5:1	1598cc	110kW (150)PS	Turbo Intercooled	TD23766

207	02/06→		207 CC	02/07→	308	09/07→
308 CC	06/09→		308 SW	09/07→	508 SW	11/10→
3008	06/09→		C4	07/08→	C4 Grand Picasso	10/08→
C4 Picasso	07/08→		DS3	01/10→		

			KIT		
					FOL185 (x16)

B x C x D	OE	MAT.			H	G	F	E	G
V95037	0948.E8		45°		H				
28.80 x 5.00 x 105.70		MB							
V95038	0949.E2		45°		H				
26.25 x 5.00 x 110.10		MG							

AH6730 MLS, 0.9mm	CH6730 MLS		HBS522 [21] 01/06→		HM5371		



AH6730
 [21] Without plain washer; Thread Pitch 1 [mm]: 1.51
 [21] Sans rondelle de calage; Pas de vis 1 [mm]: 1.51
 [21] Senza rondella d'appoggio; Passo filettatura 1 [mm]: 1.51
 [21] Sin arandela; Paso rosca 1 [mm]: 1.51

CITROEN/PEUGEOT

117



77.00

Petrol



EP6DT (5FY) Euro 4

4 Cyl.

10.5:1

1598cc

128kW (174)PS

Turbo Intercooled

TD25082



AH6730 MLS, 0.9mm

CH6730
MLS

HBS522 [21]

HM5371 [21]



AH6730

[21] Without plain washer;
Thread Pitch 1 [mm]: 1.51

[21] Sans rondelle de calage;
Pas de vis 1 [mm]: 1.51

[21] Senza rondella d'appoggio;
Passo filettatura 1 [mm]: 1.51

[21] Sin arandela;
Paso rosca 1 [mm]: 1.51

118



77.00

Petrol



EP6DTS (5FU) Euro 4

4 Cyl.

10.5:1

1598cc

135kW (184)PS

Turbo

TD25083

871



[21] Without plain washer;
Thread Pitch 1 [mm]: 1.51

[21] Sans rondelle de calage;
Pas de vis 1 [mm]: 1.51

HBS522 [21]
01/06 →

[21] Senza rondella d'appoggio;
Passo filettatura 1 [mm]: 1.51

[21] Sin arandela;
Paso rosca 1 [mm]: 1.51

119



78.00

Petrol



XK5

4 Cyl.

8.8:1

1127cc

43kW (58)PS

TD2815

872

XL5

4 Cyl.

8.8:1

1290cc

44-48kW (60-65)PS

TD4844

874

XL5S

4 Cyl.

8.8:1

1290cc

55kW (75)PS

TD2821

874

204

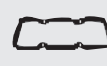
09/75 → 07/77

304

09/70 → 10/80

305

11/77 → 12/88



BF570 Fibre Composite, 1.200mm
BP760 Fibre Composite, 1.400mm

DF572 ▲○

GF570 ▲○ [11]

JB875 [21]
JE647
LT634

HR300 [21]



BF570, BP760

[11] Without gaskets/seals

[11] Sans joints

[11] Senza guarnizioni

[11] Sin juntas

120



78.00

Petrol



XL5 (118)

4 Cyl.

8.8:1

1290cc

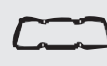
44kW (60)PS

TD2822

874

305

11/77 → 08/86



BF570 Fibre Composite, 1.200mm
BP760 Fibre Composite, 1.400mm

DF572 ▲○

GF570 ▲○ [11]
→ Eng. 9285506

JB875 [21]
LT634

HR300 [21]





BF570, BP760









[11] Without gaskets/seals

[11] Sans joints

[11] Senza guarnizioni



[11] Sin juntas









121	 78.00	Diesel				
XL4D	4 Cyl.	23.3:1	1357cc	33kW (45)PS	TD2819	875
204	01/73→12/77	304	10/76→10/79			

							
BF300 Fibre Composite, 1.400mm, 1 Notch	DF300 ▲○ [10]						





BF300
 [10] With gaskets/seals [10] Avec joints [10] Con guarnizioni [10] Con juntas



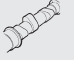



122	 78.00	Petrol				
XR5 (142)	4 Cyl.		1472cc	54kW (73)PS	TD2749	876
XR5A (142)	4 Cyl.		1472cc	50kW (68)PS	TD2842	877
XR5S (117)	4 Cyl.	9.2:1	1472cc	65kW (88)PS	TD2844	876
305	11/79→07/90					









							
BF570 Fibre Composite, 1.200mm BP760 Fibre Composite, 1.400mm	DF572 ▲○	GF570 ▲○ [11] →Eng.9285506		JB875 ☒ ○JE145 ○LT634		HR300 ☒	



BF570, BP760
 [11] Without gaskets/seals [11] Sans joints [11] Senza guarnizioni [11] Sin juntas

123	 78.50	Petrol				
NFT	4 Cyl.	9.6:1	1587cc	72kW (98)PS	TD15189	878
NFT	4 Cyl.	9.6:1	1587cc	72kW (98)PS	TD18103	878
306	10/00→04/02	SAXO	09/00→04/04			

					
TB376 101x17	TBK004 101 Component No:AE1026TP;TB376		KIT		

							
BY180 Fibre Composite, 1.50mm AY120 Fibre Composite, 1.70mm	DY130 ▲ [10]		HBS039 ☉ M10x1.50x175.00mm (x10)	JD530 ☒ (x4) JC702 ☒ (x2) ○JE189	JN658	HR642 ☒	NF817 36.00x50.00x7.00mm FPM



AY120 **BY180**
 [10] With gaskets/seals [10] Avec joints [10] Con guarnizioni [10] Con juntas

CITROEN/PEUGEOT

124



78.50

Petrol



TU5J2 (NFW)

4 Cyl.

9.6:1

1587cc

65kW (88)PS

TD4837

879

106

05/96→

TB376 101x17	TBK004 101 Component No:AE1026TP;TB376		KIT	FOL160 (x8)	

B x C x D	OE	MAT.
V94155 ■ 39.40 x 7.00 x 111.70 →12/97, Eng.→7874	0948.65	 30° Y H
V94157 ■ 39.30 x 7.00 x 111.40 01/98→, Eng.7875→	0948.93	 45° H
V94156 ■ 31.30 x 7.00 x 111.50	0949.70	 45°
		VAG96132 ■ ■ 47.60 x 7.03 x 13.11

--	--	--	--	--	--	--	--

BY180 Fibre Composite, 1.50mm		HBS039 [Ⓔ] M10x1.50x175.00mm (x10)		HR599 ■	NF817 36.00x50.00x7.00mm FPM
AY120 Fibre Composite, 1.70mm					



AY120



BY180

125

78.50

Petrol



TU5J2 (NFY)	4 Cyl.	9.6:1	1587cc	65kW (88)PS	TD4838	880
TU5JP (NFZ)	4 Cyl.	9.6:1	1587cc	65kW (88)PS	TD4840	883
TU5JP (NFZ)	4 Cyl.	9.6:1	1587cc	66kW (89)PS	TD9458	884

106	06/93→	206	09/98→12/00	306	05/93→10/00
SAXO	02/96→06/03	XSARA	04/97→09/00	XSARA PICASSO	12/99→

TB376 101x17	TBK004 101 Component No:AE1026TP;TB376	FOL160 (x8)	

 B x C x D	OE	MAT.	 30° Y H	 45° H	 E x F x G
V94155 ■ 39.40 x 7.00 x 111.70 →12/97, Eng.→7874	0948.65		30° Y H		VAG96132 ■ ■ ■ 47.60 x 7.03 x 13.11
V94157 ■ 39.30 x 7.00 x 111.40 01/98→, Eng.7875→	0948.93		45° H		
V94156 ■ 31.30 x 7.00 x 111.50	0949.70		45°		

BY180 Fibre Composite, 1.50mm AY120 Fibre Composite, 1.70mm	DY130 ▲ [10]	HBS039 ⊕ M10x1.50x175.00mm (x10)	JD530 ■ (x4) JC702 ■ (x2) 	JN658	HR642 ■	NF817 36.00x50.00x7.00mm FPM



AY120
[10] With gaskets/seals



BY180
[10] Avec joints

[10] Con guarnizioni

[10] Con juntas

CITROEN/PEUGEOT

126



78.50

Petrol



TU5J4 (NFX)

4 Cyl.

10.8:1

1587cc

87kW (118)PS

TD4839

881

106

05/96→

TB700 134x25.4					FOL164 (x16)

B x C x D	OE	MAT.	45°	Y	H
V94203 ■ 28.80 x 6.00 x 104.40	0948.83		45°		
V94204 ■ 24.50 x 6.00 x 104.30	0949.A8		45°		

AE5010 MLS, 1.370mm AE5020 MLS, 1.570mm AE5030 MLS, 1.770mm	CE5010		HBS254 ☉ M10x1.50x122.00mm (x10)	JE5044 MLS		HR599 ■ HR642 ■	NA5260 38.00x50.00x6.00mm FPM



AE5010, AE5020, AE5030

127



78.50

Petrol



TU5JP (NFV)

4 Cyl.

10.2:1

1587cc

70kW (95)PS

TD23392

882

XSARA PICASSO

12/99→

TB376 101x17	TBK004 101 Component No:AE1026TP;TB376				

BY180 Fibre Composite, 1.50mm AY120 Fibre Composite, 1.70mm	DY130 ▲ [10]		HBS039 ☉ M10x1.50x175.00mm (x10)	JD530 ■ (x4) JC702 ■ (x2)	JN658	HR599 ■ HR642 ■	NF817 36.00x50.00x7.00mm FPM









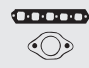



AY120
[10] With gaskets/seals

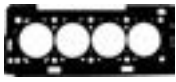
BY180
[10] Avec joints

[10] Con guarnizioni



[10] Con juntas



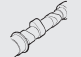



128	 78.50	Petrol				
TU5JP4 (N6A)	4 Cyl.	10.5:1	1587cc	78-80kW (106-109)PS	TD21503	886
TU5JP4 (N6A)	4 Cyl.	10.5:1	1587cc	78-80kW (106-109)PS	TD21504	885
207	08/08 →					

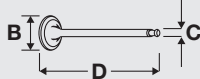




							
AD5180 MLS, 0.620mm							NA5260 38.00x50.00x6.00mm FPM











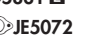


AD5180

129	 78.50	Petrol				
TU5JP4 (NFU)	4 Cyl.	10.8:1	1587cc	80kW (109)PS	TD15308	887
TU5JP4 (NFU)	4 Cyl.	10.8:1	1587cc	80kW (109)PS	TD15668	887
206	09/00 →	207	02/06 →	307	08/00 →	
308	04/08 →	308 SW	03/09 →	1007	04/05 →	
BERLINGO	10/00 →	C2	09/03 →	C3	02/02 →	
C4	11/04 →	PARTNER	09/00 →	PARTNER Tepee	04/08 →	
XSARA	09/00 → 08/05	XSARA PICASSO	09/05 →			

					
TB700 134x25.4	TBK318 Eng. → 1806404 Component No: TB700; AE1148GP; AE1149TP TBK319 Eng. 1806405 → Component No: TB700; AE1175GP; AE1176TP				

	
B x C x D	E x F x G
OE	
MAT.	
V94599 	VAG96271B 
31.30 x 6.00 x 103.70	40.00 x 6.00 x 11.06
V94204 	
24.50 x 6.00 x 104.30	
0948.A9	
0949.A8	
MB	
MD cr	
45°	
45°	
Y	
H	

							
AD5180 MLS, 0.620mm	CD5180		HBS254  M10x1.50x122.00mm (x10)	HA5032  JD5831  JE5072 MLS	JM7035 (Elastomer)		NA5260 38.00x50.00x6.00mm FPM



AD5180

CITROEN/PEUGEOT

130



78.50

Petrol



TU5JP4 (NFX)

4 Cyl.

10.8:1

1587cc

87kW (118)PS

TD10788

888

SAXO

02/96 → 04/04

TB700 134x25.4					FOL164 (x16)

B x C x D	OE	MAT.	45°	Y	H
V94599 ■ 31.30 x 6.00 x 103.70	0948.A9		45°		
V94204 ■ 24.50 x 6.00 x 104.30	0949.A8		45°		
		MD cr			
					VAG96271B ■ ■ ■ 40.00 x 6.00 x 11.06

AE5010 MLS, 1.370mm	CE5010		HBS254 ⊕ M10x1.50x122.00mm (x10)	JE5044 MLS			NA5260 38.00x50.00x6.00mm FPM
AE5020 MLS, 1.570mm							
AE5030 MLS, 1.770mm							



AE5010, AE5020, AE5030

131



78.50

Petrol



TU5JP4B (NFR)

4 Cyl.

11:1

1587cc

66kW (90)PS

TD21320

889

TU5JP4B (NFR)

4 Cyl.

11:1

1587cc

66kW (90)PS

TD24700

889

BERLINGO 04/08 → **PARTNER** 04/08 → **PARTNER Tepee** 04/08 →

TB700 134x25.4	TBK319 Component No:TB700; AE1175GP;AE1176TP				

AD5180 MLS, 0.620mm			HBS254 ⊕ M10x1.50x122.00mm (x10)	JE5072 MLS			NF817 36.00x50.00x7.00mm FPM



AD5180

132	78.50	Petrol	
TU5JP4S (NFS)	4 Cyl.	1587cc	90kW (122)PS
C2	01/05→		TD18551 890

TB700 134x25.4	TBK319 Component No:TB700; AE1175GP;AE1176TP				

	OE					
V94599 31.30 x 6.00 x 103.70	0948.A9		45°	Y	H	VAG96271B 40.00 x 6.00 x 11.06
V94204 24.50 x 6.00 x 104.30	0949.A8		45°			

AD5180 MLS, 0.620mm	CD5180	HBS254 M10x1.50x122.00mm (x10)	HA5032 JD5831 MLS	JM7035 (Elastomer)	NA5260 38.00x50.00x6.00mm FPM



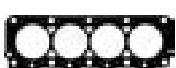
AD5180

133	80.00	Petrol	
XB5P	4 Cyl.	7.5:1	1468cc
J7	08/68→07/70		61kW (82)PS
			TD8494 893

JB841 	JN244	

134	80.00	Diesel	
XID (149)	4 Cyl.	22.5:1	1548cc
305	11/77→09/82		36kW (49)PS
			TD2812 894

BG780 Fibre Composite, 1.560mm, 2 Notches	BG790 Fibre Composite, 1.680mm, 3 Notches	BG800 Fibre Composite, 1.800mm, 4 Notches	GG780



BG780



BG790



BG800



XUD7 (161)

4 Cyl.

23:1

1769cc

44kW (60)PS

TD586

895

BX

10/85→09/93

TB560 136x25.4 HNBR	TBK019 Component No:TB175; AE1021TP;AE1022GP	CAM373 [2] CAM354 [7]	CKS2373 CKS2354		FOL73 (x8) [1]

[1] Mechanical

[1] Mécanique

[1] Meccanico

[1] Mecánico

[2] Camshaft driven vacuum pump

[2] Pompe à vide entraînée par l'arbre à cames

[2] Pompa vacuum azionata dall'albero a camme

[2] Bomba de vacío accionada por el árbol de levas

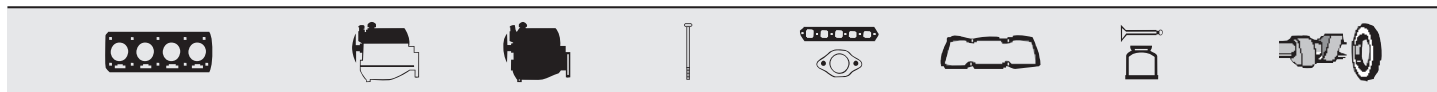
[7] Pulley driven vacuum pump

[7] Pompe à vide entraînée par poulie

[7] Pompa vacuum azionata dalla puleggia

[7] Bomba de vacío accionada por polea

	OE	MAT.			
B x C x D					E x F x G
V91143 ■ 38.00 x 8.00 x 112.40 →10/86	0948.49		30°	H	VAG92288B ■ ■ ■ 52.00 x 8.03 x 14.28
V91144 ■ 38.50 x 8.00 x 112.50 11/86→	0948.63		45°	H	VAG92331B ■ ■ ■ 50.00 x 8.03 x 14.08
V91145 ■ 33.00 x 8.00 x 112.00	0949.47		45°		
V94024 ■ 33.00 x 8.00 x 112.00	0949.64		45°		



BX830 Fibre Composite, 1.360mm, 1 Notch ☞(0.56)→(0.67) mm	DJ720 ▲	GJ720 ▲	HBS084 ☞ M12x1.50x120.00mm (x10) →Eng.08469	JD5972 ■ JC423 ■ (x2) ☞LT634	JN544	HR569 ■	NF841 (x2) 35.00x50.00x8.00mm FPM
BX840 Fibre Composite, 1.400mm, 2 Notches ☞(0.68)→(0.71) mm			HBS245 ☞ M12x1.50x125.00mm (x10) Eng.08470→				
BX850 Fibre Composite, 1.440mm, 3 Notches ☞(0.72)→(0.75) mm							
BX860 Fibre Composite, 1.480mm, 4 Notches ☞(0.76)→(0.79) mm							
BX870 Fibre Composite, 1.520mm, 5 Notches ☞(0.8)→(0.83) mm							



BX830, BX840, BX850, BX860, BX870

136

 80.00

Diesel



XUD7 (161)

4 Cyl.

23:1

1769cc


44kW (60)PS

TD21268


896




BX830 Fibre Composite, 1.360mm, 1 Notch

 (0.56) → (0.67) mm


BX840 Fibre Composite, 1.400mm, 2 Notches

 (0.68) → (0.71) mm


BX850 Fibre Composite, 1.440mm, 3 Notches

 (0.72) → (0.75) mm

BX860 Fibre Composite, 1.480mm, 4 Notches

 (0.76) → (0.79) mm

BX870 Fibre Composite, 1.520mm, 5 Notches

 (0.8) → (0.83) mm

DJ720 ▲

GJ720 ▲

HBS084 ☉

M12x1.50x120.00mm (x10)

HBS245 ☉

M12x1.50x125.00mm (x10)

JD5972 ■

JC423 ■

 **LT634**

JN544

HR569 ■

NF841

35.00x50.00x8.00mm FPM



BX830, BX840, BX850, BX860, BX870



XUD7 (161A)	4 Cyl.	23:1	1769cc	44kW (60)PS	TD2882	897
XUD7 (161A)	4 Cyl.	23:1	1769cc	44kW (60)PS	TD4258	895
XUD7 (A9A)	4 Cyl.	23:1	1769cc	44kW (60)PS	TD12351	899
XUD7 (A9A)	4 Cyl.	23:1	1769cc	44kW (60)PS	TD6555	898

205	02/83→	305	11/82→12/88	306	05/93→05/01
309	07/89→12/93	BERLINGO	07/96→	BX	10/85→09/93
C15	07/86→12/00	PARTNER	06/96→	VISA	04/84→03/91
XSARA	04/97→09/00	ZX	06/93→10/97		

TB560 136x25.4 HNBR	TBK019 →12/93 Component No:TB175; AE1021TP;AE1022GP TBK020 01/94→ Component No:TB175; AE1080TP;AE1081GP	CAM373 [2] CAM354 [7]	CKS2373 CKS2354		FOL150 (x8) [1]

[1] Mechanical [1] Mécanique [1] Meccanico [1] Mecánico
 [2] Camshaft driven vacuum pump [2] Pompe à vide entraînée par l'arbre à cames [2] Pompa vacuum azionata dall'albero a camme [2] Bomba de vacío accionada por el árbol de levas
 [7] Pulley driven vacuum pump [7] Pompe à vide entraînée par poulie [7] Pompa vacuum azionata dalla puleggia [7] Bomba de vacío accionada por polea

B x C x D	E x F x G
OE	MAT.
V91143 ■	VAG92288B ■ ■ ■
38.00 x 8.00 x 112.40 →10/86	52.00 x 8.03 x 14.28
V91144 ■	VAG92331B ■ ■ ■
38.50 x 8.00 x 112.50 11/86→	50.00 x 8.03 x 14.08
V91145 ■	
33.00 x 8.00 x 112.00	
V94024 ■	
33.00 x 8.00 x 112.00	

BX830 Fibre Composite, 1.360mm, 1 Notch ☞(0.56)→(0.67) mm	DJ720 ▲	GJ720 ▲	HBS084 ☉ M12x1.50x120.00mm (x10) →Eng.08469	JD5972 ■ JC423 ■ (x2) ☉LT634	JN544	HR569 ■	NF841 (x2) 35.00x50.00x8.00mm FPM
BX840 Fibre Composite, 1.400mm, 2 Notches ☞(0.68)→(0.71) mm			HBS245 ☉ M12x1.50x125.00mm (x10) Eng.08470→				
BX850 Fibre Composite, 1.440mm, 3 Notches ☞(0.72)→(0.75) mm							
BX860 Fibre Composite, 1.480mm, 4 Notches ☞(0.76)→(0.79) mm							
BX870 Fibre Composite, 1.520mm, 5 Notches ☞(0.8)→(0.83) mm							



BX830, BX840, BX850, BX860, BX870

138



80.00

Diesel



XUD7T 4 Cyl. 22:1 1769cc 58kW (79)PS Turbo TD18394 900

205 08/90→05/97

		CAM444		FOL150 (x8) [1]	

[1] Mechanical [1] Mécanique [1] Meccanico [1] Mecánico

B x C x D	OE	MAT.	E x F x G
V91144	0948.63		VAG92288B
38.50 x 8.00 x 112.50		MB	52.00 x 8.03 x 14.28
V91145	0949.47		
33.00 x 8.00 x 112.00		MD cr	
V94024	0949.64		
33.00 x 8.00 x 112.00		MD	

BR780 Fibre Composite, 1.650mm, 2 Notches ⊖(0.65)→(0.77) mm							NF841 35.00x50.00x8.00mm FPM
BR790 Fibre Composite, 1.800mm, 3 Notches ⊖(0.77)→(0.82) mm							



BR780, BR790

CITROEN/PEUGEOT

139


80.00
Diesel

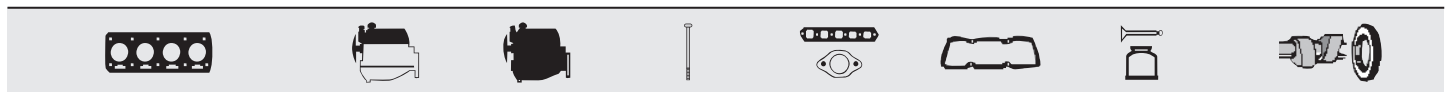

XUD7TE (A8A)	4 Cyl.	22:1	1769cc	66kW (90)PS	Turbo Intercooled	TD2884	900
XUD7TE (A8A)	4 Cyl.	22:1	1769cc	66kW (90)PS	Turbo Intercooled	TD602	900
XUD7TE (A8B)	4 Cyl.	22:1	1769cc	57kW (78)PS	Turbo	TD10789	900
XUD7TE (AJZ)	4 Cyl.	22:1	1769cc	66kW (90)PS	Turbo Intercooled	TD604	900

205	01/90→09/98	309	08/89→12/93	405	03/88→12/92
BX	03/88→12/94				

TB560 136x25.4 HNBR	TBK019 →12/93 Component No:TB175; AE1021TP;AE1022GP TBK020 01/94→ Component No:TB175; AE1080TP;AE1081GP	CAM444		FOL150 (x8) [1]

[1] Mechanical [1] Mécanique [1] Meccanico [1] Mecánico

V91144 ■ 38.50 x 8.00 x 112.50	V91145 ■ 33.00 x 8.00 x 112.00	V94024 ■ 33.00 x 8.00 x 112.00	VAG922888 ■ ■ ■ 52.00 x 8.03 x 14.28
OE: 0948.63	OE: 0949.47	OE: 0949.64	
MAT: MB	MAT: MD cr	MAT: MD	
Angle: 45°	Angle: 45°	Angle: 45°	
H			



BR780 Fibre Composite, 1.650mm, 2 Notches ⊖(0.65)→(0.77) mm							NF841 35.00x50.00x8.00mm FPM
BR790 Fibre Composite, 1.800mm, 3 Notches ⊖(0.77)→(0.82) mm							



BR780, BR790

140	80.00	Diesel					
XUD7TEY (AJZ)	4 Cyl.	22:1	1769cc	66kW (90)PS	Turbo Intercooled	TD2885	900
405	03/88 → 12/92						

TB560 136x25.4 HNBR	TBK019 Component No:TB175; AE1021TP;AE1022GP	CAM373 [2]	CKS2373		FOL73 (x8) [1]

[1] Mechanical [1] Mécanique [1] Meccanico [1] Mecánico
 [2] Camshaft driven vacuum pump [2] Pompe à vide entraînée par l'arbre à cames [2] Pompa vacuum azionata dall'albero a camme [2] Bomba de vacío accionada por el árbol de levas

B x C x D	E x F x G
V91144	VAG922888
38.50 x 8.00 x 112.50	52.00 x 8.03 x 14.28
V91145	
33.00 x 8.00 x 112.00	
V94024	
33.00 x 8.00 x 112.00	

BR780 Fibre Composite, 1.650mm, 2 Notches ⊖(0.65)→(0.77) mm							NF841 35.00x50.00x8.00mm FPM
BR790 Fibre Composite, 1.800mm, 3 Notches ⊖(0.77)→(0.82) mm							



BR780, BR790

141	81.00	Diesel					
DT17 (UHZ)	V6 Cyl.	17.3:1	2720cc	150kW (204)PS		TD20027	
DT17TED4	6 Cyl.	17.3:1	2720cc	150kW (204)PS	Turbo Intercooled	TD18175	901
407	10/05 →		607	12/04 →			

TB815 85x20 Driven unit: injection pump					

AH5730 MLS, 1.17mm, 2 Notches (x2)	CH5730			JD5999	JM7094 (ACM)	HR5111	NA5318 26.0x45.0x8.0mm, FPM
AH5731 MLS, 1.22mm, 3 Notches (x2) [16]							
AH5732 MLS, 1.27mm, 4 Notches (x2) [16]							
AH5733 MLS, 1.32mm, 5 Notches (x2) [16]							

[16] Diameter [mm]: 82.5 [16] Diamètre [mm]: 82.5 [16] Diámetro [mm]: 82.5 [16] Diámetro [mm]: 82.5

CITROEN/PEUGEOT

142



81.00

Diesel



DT17BTED4 (UHZ)	V6 Cyl.	17.3:1	2720cc	150kW (204)PS	Turbo	TD21317	
DT17BTED4 (UHZ)	V6 Cyl.	17.3:1	2720cc	150kW (204)PS	Turbo	TD21319	

C5 02/08 → C6 09/05 →

	CH5730			JD5999	JM7094 (ACM)	HR5111	NA5318 26.0x45.0x8.0mm, FPM	

143



81.00

Diesel



DT17ED4	V6 Cyl.	17.3:1	2720cc	150kW (204)PS	Bi-Turbo Intercooled	TD19827	901
DT17TED4 (UHZ)	V6 Cyl.	17.3:1	2720cc	150kW (204)PS	Turbo Intercooled	TD24868	901

C5 02/08 → C6 09/05 →

AH5730 MLS, 1.17mm, 2 Notches (x2) AH5731 MLS, 1.22mm, 3 Notches (x2) [16] AH5732 MLS, 1.27mm, 4 Notches (x2) [16] AH5733 MLS, 1.32mm, 5 Notches (x2) [16]	CH5730			JD5999	JM7094 (ACM)	HR5111	NA5318 26.0x45.0x8.0mm, FPM	

[16] Diameter [mm]: 82.5 [16] Diamètre [mm]: 82.5 [16] Diametro [mm]: 82.5 [16] Diámetro [mm]: 82.5

144

82.20

Diesel



DW8 (WJZ)	4 Cyl.	23.1:1	1868cc	51kW (70)PS	TD10708	902
DW8 (WJZ)	4 Cyl.	23.1:1	1868cc	51kW (69)PS	TD9868	902
206	09/98→11/01	206 Van		04/99→05/07	306	09/98→04/02
BERLINGO	07/98→	EXPERT		06/98→	JUMPY	04/98→
PARTNER	06/96→	XSARA		07/98→08/05		

TB631 140x25.4	TBK105 Component No:TB631; AE1165TP;AE1166GP	CAM373 [2]	CKS2373	FOL150 (x8) [1]

[1] Mechanical [1] Mécanique [1] Meccanico [1] Mecánico
 [2] Camshaft driven vacuum pump [2] Pompe à vide entraînée par l'arbre à cames [2] Pompa vacuum azionata dall'albero a camme [2] Bomba de vacío accionada por el árbol de levas

B x C x D	OE	MAT.	E x F x G
V91144 ■	0948.63		VAG96100 ■ ■ ■
38.50 x 8.00 x 112.50		45°	48.00 x 8.02 x 14.37
V94154 ■	0948.94		
38.50 x 8.00 x 112.40		45°	
V91145 ■	0949.47		
33.00 x 8.00 x 112.00		45°	

AA5830 Steel Elastomer, 1.260mm, 1 Hole ☞(0.51)→(0.54) mm	CA5830 ▲ [10]	HBS084 ☞ M12x1.50x120.00mm (x10) →Eng.08469	JD6023 ■ (x2) 0.8mm	JM5088 ■ (Elastomer)	HR569 ■	NB959 35.00x50.00x7.00mm FPM
AA5840 Steel Elastomer, 1.300mm, 2 Holes ☞(0.55)→(0.58) mm		HBS245 ☞ M12x1.50x125.00mm (x10) Eng.08470→	HA5008 ■ ■ ■ JD5192 ■ (x2) JD5280 ■	JM5089 ■ (Elastomer)		NF841 35.00x50.00x8.00mm FPM
AA5850 Steel Elastomer, 1.340mm, 3 Holes ☞(0.59)→(0.62) mm						
AA5860 Steel Elastomer, 1.380mm, 4 Holes ☞(0.63)→(0.66) mm						
AA5870 Steel Elastomer, 1.420mm, 5 Holes ☞(0.670)→(0.7) mm						
AA5880 Steel Elastomer, 1.460mm, 6 Holes ☞(0.71)→(0.75) mm						



AA5830, AA5840, AA5850, AA5860, AA5870, AA5880

[10] With gaskets/seals [10] Avec joints [10] Con guarnizioni [10] Con juntas



DW8B (WJX)

4 Cyl.

1868cc

44kW (60)PS

TD26981

903

C15

12/00→12/05

TB631 140x25.4	TBK105 Component No:TB631; AE1165TP;AE1166GP						
AA5830 Steel Elastomer, 1.260mm, 1 Hole →(0.51)→(0.54) mm	CA5830 ▲ [10]		HBS084 ☉ M12x1.50x120.00mm (x10) →Eng.08469	JD6023 ■ (x2) 0.8mm	JM5088 ☒ (Elastomer)	HR569 ☒	NB959 35.00x50.00x7.00mm FPM
AA5840 Steel Elastomer, 1.300mm, 2 Holes →(0.55)→(0.58) mm			HBS245 ☉ M12x1.50x125.00mm (x10) Eng.08470→	HA5008 ■ ☒	JM5089 ☒ (Elastomer)		NF841 35.00x50.00x8.00mm FPM
AA5850 Steel Elastomer, 1.340mm, 3 Holes →(0.59)→(0.62) mm				JD5192 ■ (x2)			
AA5860 Steel Elastomer, 1.380mm, 4 Holes →(0.63)→(0.66) mm				JD5280 ■			
AA5870 Steel Elastomer, 1.420mm, 5 Holes →(0.670)→(0.7) mm							
AA5880 Steel Elastomer, 1.460mm, 6 Holes →(0.71)→(0.75) mm							



AA5830, AA5840, AA5850, AA5860, AA5870, AA5880

[10] With gaskets/seals

[10] Avec joints

[10] Con guarnizioni

[10] Con juntas

146

82.20

Diesel



DW8B (WJY) 4 Cyl. 23.1:1 1868cc 51kW (70)PS TD15310 902

BERLINGO 07/98→ JUMPY 04/98→ XSARA 07/98→08/05

TB631 140x25.4	TBK105 Component No:TB631; AE1165TP;AE1166GP	CAM373 [2]	CKS2373	FOL150 (x8) [1]

[1] Mechanical [1] Mécanique [1] Meccanico [1] Mecánico
 [2] Camshaft driven vacuum pump [2] Pompe à vide entraînée par l'arbre à cames [2] Pompa vacuum azionata dall'albero a camme [2] Bomba de vacío accionada por el árbol de levas

 B x C x D	OE	MAT.				 E x F x G
V91144	0948.63		45°	H		VAG96100
38.50 x 8.00 x 112.50		MB				48.00 x 8.02 x 14.37
V94154	0948.94		45°	H		
38.50 x 8.00 x 112.40		MB				
V91145	0949.47		45°			
33.00 x 8.00 x 112.00		MD cr				

AA5830 Steel Elastomer, 1.260mm, 1 Hole ⊖(0.51)→(0.54) mm	CA5830 ▲ [10]	HBS084 M12x1.50x120.00mm (x10) →Eng.08469	JD6023 (x2) 0.8mm	JM5088 (Elastomer)	HR569	NB959 35.00x50.00x7.00mm FPM
AA5840 Steel Elastomer, 1.300mm, 2 Holes ⊖(0.55)→(0.58) mm		HBS245 M12x1.50x125.00mm (x10) Eng.08470→	HA5008	JM5089 (Elastomer)		NF841 35.00x50.00x8.00mm FPM
AA5850 Steel Elastomer, 1.340mm, 3 Holes ⊖(0.59)→(0.62) mm			JD5192			
AA5860 Steel Elastomer, 1.380mm, 4 Holes ⊖(0.63)→(0.66) mm						
AA5870 Steel Elastomer, 1.420mm, 5 Holes ⊖(0.670)→(0.7) mm						
AA5880 Steel Elastomer, 1.460mm, 6 Holes ⊖(0.71)→(0.75) mm						



AA5830, AA5840, AA5850, AA5860, AA5870, AA5880

[10] With gaskets/seals [10] Avec joints [10] Con guarnizioni [10] Con juntas

CITROEN/PEUGEOT

147


82.20
Diesel

DW8B (WJY)

4 Cyl.

23.1:1

1868cc

51kW (69)PS

TD13788
902
306

09/98→04/02

EXPERT

06/98→

PARTNER

06/96→

TB631 140x25.4	TBK105 Component No:TB631; AE1165TP;AE1166GP	CAM373 [2]	CK52373		FOL150 (x8) [1]

[1] Mechanical

[1] Mécanique

[1] Meccanico

[1] Mecánico

[2] Camshaft driven vacuum pump

[2] Pompe à vide entraînée par l'arbre à cames

[2] Pompa vacuum azionata dall'albero a camme

[2] Bomba de vacío accionada por el árbol de levas

B x C x D	OE	MAT.	45°	H	E x F x G
V91144 ■	0948.63		45°	H	VAG96100 ■ ■ ■
38.50 x 8.00 x 112.50		MB			48.00 x 8.02 x 14.37
V94154 ■	0948.94		45°	H	
38.50 x 8.00 x 112.40		MB			
V91145 ■	0949.47		45°		
33.00 x 8.00 x 112.00		MD cr			

AA5830 Steel Elastomer, 1.260mm, 1 Hole ⊖(0.51)→(0.54) mm	CA5830 ▲ [10]		HBS084 ⊕ M12x1.50x120.00mm (x10) →Eng.08469	JD6023 ■ (x2) 0.8mm	JM5088 ■ (Elastomer)	HR569 ■	NB959 35.00x50.00x7.00mm FPM
AA5840 Steel Elastomer, 1.300mm, 2 Holes ⊖(0.55)→(0.58) mm			HBS245 ⊕ M12x1.50x125.00mm (x10) Eng.08470→	HA5008 ■ ■ ■	JM5089 ■ (Elastomer)		NF841 35.00x50.00x8.00mm FPM
AA5850 Steel Elastomer, 1.340mm, 3 Holes ⊖(0.59)→(0.62) mm				JD5192 ■ (x2)			
AA5860 Steel Elastomer, 1.380mm, 4 Holes ⊖(0.63)→(0.66) mm							
AA5870 Steel Elastomer, 1.420mm, 5 Holes ⊖(0.670)→(0.7) mm							
AA5880 Steel Elastomer, 1.460mm, 6 Holes ⊖(0.71)→(0.75) mm							


AA5830, AA5840, AA5850, AA5860, AA5870, AA5880

[10] With gaskets/seals

[10] Avec joints

[10] Con guarnizioni

[10] Con juntas

148


82.60
Diesel

M705

4 Cyl.



1930cc







60kW (81)PS

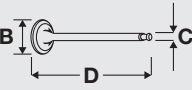
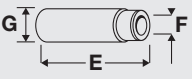

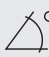



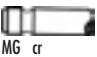
Turbo
TD6574
C25






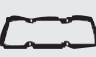


04/92→02/94











TB278 173x25.4					

149	 82.70	Petrol				
EW7A (6FY)	4 Cyl.	1749cc	92kW (125)PS	TD20026	904	
EW7A (6FY) Euro 4	4 Cyl.	11:1	1749cc	92kW (125)PS	TD19822	904
407	09/05→	C4 Grand Picasso	10/06→	C4 Picasso	02/07→	
C5	09/05→					

					
TB744					
153x25					

						
B x C x D	OE	 MAT.	 45°	 Y	 H	Ex F x G
V94492 ■	0948.A4	 MB	45°	Y	H	
29.80 x 6.00 x 106.00						
V94493 ■	0949.A4	 MG cr	45°		H	
27.20 x 6.00 x 104.00						

							
AH6530 <small>MLS</small>	CH6530		HBS535 Ⓢ		JM5139 ■		NF817
01/05→					JM5283 ■		36.00x50.00x7.00mm FPM

150	 82.70	Petrol					
EW7A (6FZ)	4 Cyl.	10.8:1	1749cc	85kW (115)PS	TD25085	905	
							
	CH6530						

CITROEN/PEUGEOT

151



82.70

Petrol



EW7J4 (6FZ)	4 Cyl.	10.8:1	1749cc	85kW (115)PS	TD13548	905
EW7J4 (6FZ)	4 Cyl.		1749cc	85kW (116)PS	TD15190	906
406	10/00→10/04		407	05/04→	C5	03/01→
XSARA	09/00→10/04		XSARA PICASSO	02/00→		

TB683 153x25.4	TBK279 Component No:TB683; AE1154GP;AE1153TP				

B x C x D	E x F x G
OE	MAT.
V94492 ■	45° Y H
29.80 x 6.00 x 106.00	MB
V94493 ■	45° H
27.20 x 6.00 x 104.00	MG cr

AD5310 MLS, 0.750mm	CD5310		HBS259 ☉ M11x1.50x144.50mm (x10)		JM5139 ■ JM5283 ■	HR5080 ■	NF817 36.00x50.00x7.00mm FPM



AD5310

152



83.00

Petrol



171A	4 Cyl.	9.5:1	1580cc	66kW (90)PS	TD591	907
171B	4 Cyl.	9.5:1	1580cc	66kW (90)PS	TD592	907
BX	10/82→06/88					

TB226 113x17	TBK009 Component No:TB226;AE1020TP				

BL650 Fibre Composite, 1.200mm	DL650						NF817 36.00x50.00x7.00mm FPM



BL650

153







 **83.00**









Petrol



171C 4 Cyl. 9.5:1 1580cc **66kW (90)PS** **TD593** **908**

BX 10/82→01/92

					
TB226 113x17	TBK009 Component No:TB226;AE1020TP	CAM378	CKS9378		FOL88 (x8) [1]
[1] Mechanical	[1] Mécanique	[1] Meccanico	[1] Mecánico		

							
BL650 Fibre Composite, 1.200mm BR510 Fibre Composite, 1.440mm	DN590 ▲ [10]	GL650 [10]	HBS038 ⊕ M11x1.50x175.00mm (x10) HBS083 ⊕ M11x1.50x168.00mm (x10)	JC415 ⊕ (x4) LT634	JN547	HR569 ⊕	NF817 36.00x50.00x7.00mm FPM



BL650
[10] With gaskets/seals [10] Avec joints [10] Con guarnizioni [10] Con juntas

154



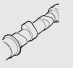



 **83.00**

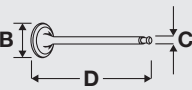
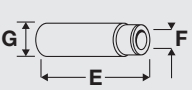
Petrol











171D 4 Cyl. 9.5:1 1580cc **64kW (87)PS** **TD594** **909**

BX 07/85→12/94

					
TB226 113x17 →01/92	TBK009 →01/92 Component No:TB226;AE1020TP	CAM378	CKS9378		FOL88 (x8) [1]
TB419 114x17 01/92→	TBK010 01/92→ Component No:TB419;AE1026TP				
[1] Mechanical	[1] Mécanique	[1] Meccanico	[1] Mecánico		

	
B x C x D	E x F x G
V91280 ⊕ 40.00 x 8.00 x 109.00	VAG92332B ⊕ 38.70 x 8.02 x 13.07
V91279 ⊕ 33.00 x 8.00 x 108.70	VAG92333B ⊕ 45.00 x 8.02 x 13.07
OE	
MAT.	
MB	
MD cr	
45°	
45°	
H	

							
BL650 Fibre Composite, 1.200mm BR510 Fibre Composite, 1.440mm	DN590 ▲ [10]	GL650 [10]	HBS038 ⊕ M11x1.50x175.00mm (x10) HBS083 ⊕ M11x1.50x168.00mm (x10)	JC415 ⊕ (x4) LT634	JN547	HR569 ⊕	NF817 36.00x50.00x7.00mm FPM



BL650
[10] With gaskets/seals [10] Avec joints [10] Con guarnizioni [10] Con juntas

CITROEN/PEUGEOT

155



83.00

Petrol



B6D 4 Cyl. 9.8:1 1580cc **83kW (113)PS** **TD4262** **911**

BX 01/87→01/92 **VISA** 06/86→03/91

TB226 113x17	TBK009 Component No:TB226;AE1020TP				

B x C x D	E x F x G
OE	MAT.
V91277 ■	VAG92332B ■
41.60 x 8.00 x 108.80	38.70 x 8.02 x 13.07
V91280 ■	VAG92333B ■
40.00 x 8.00 x 109.00	45.00 x 8.02 x 13.07
V91275 ■	VAG96056B ■
34.50 x 8.00 x 108.30	45.00 x 8.03 x 13.07
V91279 ■	
33.00 x 8.00 x 108.70	
45° Y H	
45° H	
45°	
45°	

BL650 Fibre Composite, 1.200mm BR510 Fibre Composite, 1.440mm	DL650 DN590 ▲ [10]	GL650 [10]	HBS038 ⊕ M11x1.50x175.00mm (x10) HBS083 ⊕ M11x1.50x168.00mm (x10)	JC750 ■ JC415 ■ (x4) ⊕LT634	JN547	HR569 ■	NF817 36.00x50.00x7.00mm FPM



BL650
[10] With gaskets/seals [10] Avec joints [10] Con guarnizioni [10] Con juntas

156



83.00

Petrol



B6E 4 Cyl. 9.8:1 1580cc **85kW (116)PS** **TD21866** **912**

BX 01/87→01/92

TB226 113x17	TBK009 Component No:TB226;AE1020TP				

BL650 Fibre Composite, 1.200mm BR510 Fibre Composite, 1.440mm	DL650 DN590 ▲ [10]	GL650 [10]	HBS038 ⊕ M11x1.50x175.00mm (x10) HBS083 ⊕ M11x1.50x168.00mm (x10)	JC750 ■ JC415 ■ (x4) ⊕LT634	JN547	HR569 ■	NF817 36.00x50.00x7.00mm FPM



BL650
[10] With gaskets/seals [10] Avec joints [10] Con guarnizioni [10] Con juntas

157



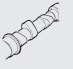



 **83.00**

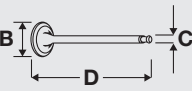
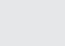

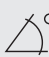


Petrol











XUSCP (BAY)	4 Cyl.	9.5:1	1580cc	55kW (75)PS	TD9550	913
XUSCP (BAZ)	4 Cyl.	9.5:1	1580cc	54-55kW (74-75)PS	TD2859	915
XUSCP (BAZ)	4 Cyl.	9.5:1	1580cc	76kW (103)PS	TD9551	914

205	08/86→09/98	305	11/86→12/88	309	09/86→12/89
405	07/87→08/92	BX	09/88→12/94		

					
TB226 113x17 →01/92 TB419 114x17 01/92→	TBK009 →01/92 Component No:TB226;AE1020TP TBK010 01/92→ Component No:TB419;AE1026TP	CAM378	CKS9378		FOL88 (x8) [1]
[1] Mechanical	[1] Mécanique	[1] Meccanico	[1] Mecánico		

					
V91280 ■ 40.00 x 8.00 x 109.00	0948.47	MB	45°	H	VAG92332B ■ 38.70 x 8.02 x 13.07
V91279 ■ 33.00 x 8.00 x 108.70	0949.52	MD cr	45°		VAG92333B ■ 45.00 x 8.02 x 13.07
					VAG96116B ■ ■ 45.00 x 8.03 x 13.58

							
BL650 Fibre Composite, 1.200mm BR510 Fibre Composite, 1.440mm	DL650 DN590 ▲ [10]	GL650 [10]	HBS038 ⊕ M11x1.50x175.00mm (x10) HBS083 ⊕ M11x1.50x168.00mm (x10)	JC750 ■ JC415 ■ (x4) ⊕ LT634	JN547	HR569 ■	NF817 36.00x50.00x7.00mm FPM



BL650 [10] With gaskets/seals	[10] Avec joints	[10] Con guarnizioni	[10] Con juntas
---	------------------	----------------------	-----------------

CITROEN/PEUGEOT

158



83.00

Petrol



XU5J (180A)	4 Cyl.	9.8:1	1580cc	76kW (103)PS	TD2861	916
XU5J (180A)	4 Cyl.	9.8:1	1580cc	76kW (103)PS	TD596	917
205	12/84→10/90	VISA		01/85→06/86		

TB226 113x17	TBK009 Component No:TB226;AE1020TP				

	OE	MAT.				
B x C x D						E x F x G
V91277 ■ 41.60 x 8.00 x 108.80	0948.56		45°	Y	H	VAG92332B ■ 38.70 x 8.02 x 13.07
V91280 ■ 40.00 x 8.00 x 109.00	0948.47		45°		H	VAG92333B ■ 45.00 x 8.02 x 13.07
V91275 ■ 34.50 x 8.00 x 108.30	0949.57		45°			VAG96056B ■ 45.00 x 8.03 x 13.07
V91279 ■ 33.00 x 8.00 x 108.70	0949.52		45°			

BL650 Fibre Composite, 1.200mm BR510 Fibre Composite, 1.440mm	DL650 DN590 ▲ [10]	GL650 [10]	HBS083 △ M11x1.50x168.00mm (x10)	JC750 ■ JC415 ■ (x4) LT634	JN547	HR569 ■	NF817 36.00x50.00x7.00mm FPM



BL650

[10] With gaskets/seals

[10] Avec joints

[10] Con guarnizioni

[10] Con juntas



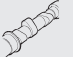



159

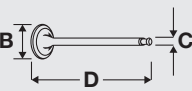
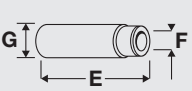
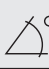


 **83.00**









Petrol



XU5J (180Z)	4 Cyl.	9.8:1	1580cc	76kW (103)PS	TD2862	916
XU5J (180Z)	4 Cyl.	9.8:1	1580cc	76kW (103)PS	TD597	918
205	04/86→10/90	309	11/85→09/88	BX	03/86→12/94	

					
TB226 113x17 →01/92	TBK009 →01/92 Component No:TB226;AE1020TP		KIT		
TB419 114x17 01/92→	TBK010 01/92→ Component No:TB419;AE1026TP				

	
B x C x D	E x F x G
OE	
MAT.	
	
	
V91277 ■	VAG92332B ■
41.60 x 8.00 x 108.80	38.70 x 8.02 x 13.07
V91280 ■	VAG92333B ■
40.00 x 8.00 x 109.00	45.00 x 8.02 x 13.07
V91275 ■	VAG96056B ■
34.50 x 8.00 x 108.30	45.00 x 8.03 x 13.07
V91279 ■	
33.00 x 8.00 x 108.70	
0948.56	
0948.47	
0949.57	
0949.52	
MB	
MB	
MD cr	
MD cr	
45°	
45°	
45°	
45°	

							
BL650 Fibre Composite, 1.200mm BR510 Fibre Composite, 1.440mm	DL650 DN590 ▲ [10]	GL650 [10]	HBS083 △ M11x1.50x168.00mm (x10)	JC750 ■ JC415 ■ (x4) ●LT634	JN547	HR569 ■	NF817 36.00x50.00x7.00mm FPM



BL650

[10] With gaskets/seals

[10] Avec joints

[10] Con guarnizioni

[10] Con juntas

CITROEN/PEUGEOT

160



83.00

Petrol



XU5J (B6B)

4 Cyl.

9.8:1

1580cc

76kW (103)PS

TD2858

916

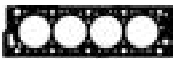
309

11/85→09/88

TB226 113x17	TBK009 Component No:TB226;AE1020TP				

 B x C x D	OE	MAT.				 E x F x G
V91277 ■ 41.60 x 8.00 x 108.80	0948.56	 MB	45°	Y	H	VAG92332B ■ 38.70 x 8.02 x 13.07
V91280 ■ 40.00 x 8.00 x 109.00	0948.47	 MB	45°		H	VAG92333B ■ 45.00 x 8.02 x 13.07
V91275 ■ 34.50 x 8.00 x 108.30	0949.57	 MD cr	45°			VAG96056B ■ 45.00 x 8.03 x 13.07
V91279 ■ 33.00 x 8.00 x 108.70	0949.52	 MD cr	45°			

BL650 Fibre Composite, 1.200mm							NF817 36.00x50.00x7.00mm FPM



BL650

161







 **83.00**

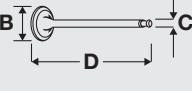



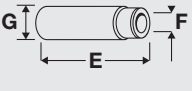











Petrol





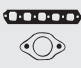










XUSJP (BFZ) 4 Cyl. 9.25:1 1580cc **65kW (88)PS** **TD5101** **920**

XANTIA 03/93→03/01 **ZX** 03/91→10/97

					
TB419 114x17	TBK010 Component No:TB419;AE1026TP				

 B x C x D	OE	MAT.				 E x F x G
V91277  41.60 x 8.00 x 108.80	0948.56	 MB	45°	Y	H	VAG92332B  38.70 x 8.02 x 13.07
V91280  40.00 x 8.00 x 109.00	0948.47	 MB	45°		H	VAG92333B  45.00 x 8.02 x 13.07
V91275  34.50 x 8.00 x 108.30	0949.57	 MD cr	45°			VAG96056B  45.00 x 8.03 x 13.07
V91279  33.00 x 8.00 x 108.70	0949.52	 MD cr	45°			

							
BL650 Fibre Composite, 1.200mm BR510 Fibre Composite, 1.440mm	CY130 ▲ [10]		HBS038  M11x1.50x175.00mm (x10) →Eng.07448 HBS260  M11x1.50x168.00mm (x10) Eng.07448→	JD519  (x2) JD520  (x4)	JP043	HR569 	NF817 36.00x50.00x7.00mm FPM



BL650

[10] With gaskets/seals

[10] Avec joints

[10] Con guarnizioni

[10] Con juntas

CITROEN/PEUGEOT

162



83.00

Petrol



XU5JP (BFZ)

4 Cyl.

9.25:1

1580cc

65kW (88)PS

TD2863

919

405

08/92→05/97

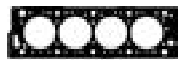
406

11/95→05/04

TB419 114x17	TBK010 Component No:TB419;AE1026TP				

 B x C x D	OE	MAT.				 E x F x G
V91277 ■ 41.60 x 8.00 x 108.80	0948.56	 MB	45°	Y	H	VAG92332B ■ 38.70 x 8.02 x 13.07
V91280 ■ 40.00 x 8.00 x 109.00	0948.47	 MB	45°		H	VAG92333B ■ 45.00 x 8.02 x 13.07
V91275 ■ 34.50 x 8.00 x 108.30	0949.57	 MD cr	45°			VAG96056B ■ 45.00 x 8.03 x 13.07
V91279 ■ 33.00 x 8.00 x 108.70	0949.52	 MD cr	45°			

BL650 Fibre Composite, 1.200mm BR510 Fibre Composite, 1.440mm	CY130 ▲ [10]		HBS038 ☉ M11x1.50x175.00mm (x10) HBS260 ☉ M11x1.50x168.00mm (x10) Eng.07448 →	JD519 ■ (x2) JD520 ■ (x4)	JP043	HR569 ■	NF817 36.00x50.00x7.00mm FPM



BL650

[10] With gaskets/seals

[10] Avec joints

[10] Con guarnizioni

[10] Con juntas

163







 **83.00**

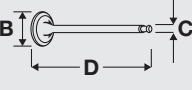






Petrol











XU5M (BDY) 4 Cyl. 9:1 1580cc **65kW (88)PS** **TD5097** **921**

BX 05/89→12/94 **ZX** 03/91→10/97

					
TB226 113x17 →01/92	TBK009 →01/92 Component No:TB226;AE1020TP				
TB419 114x17 01/92→	TBK010 01/92→ Component No:TB419;AE1026TP				

					
B x C x D	OE	MAT.			E x F x G
V91280 ■ 40.00 x 8.00 x 109.00	0948.47		45°	H	VAG92332B ■ 38.70 x 8.02 x 13.07
V91279 ■ 33.00 x 8.00 x 108.70	0949.52		45°		VAG92333B ■ 45.00 x 8.02 x 13.07
					VAG96116B ■ ■ 45.00 x 8.03 x 13.58

							
BL650 Fibre Composite, 1.200mm	DL650						NF817 36.00x50.00x7.00mm FPM



BL650

CITROEN/PEUGEOT

164


83.00
Petrol


XU5M (BDZ)	4 Cyl.	9:1	1580cc	65-66kW (88-90)PS	TD2839	922
XU5M (BDZ)	4 Cyl.	9:1	1580cc	65kW (88)PS	TD615	921
309	07/89→12/93	405	07/87→10/96	BX	05/89→12/94	

TB226 113x17 →01/92	TBK009 →01/92 Component No:TB226;AE1020TP	TB419 114x17 01/92→	TBK010 01/92→ Component No:TB419;AE1026TP		

V91280 ■ 40.00 x 8.00 x 109.00	V91279 ■ 33.00 x 8.00 x 108.70	VAG92332B ■ 38.70 x 8.02 x 13.07	VAG92333B ■ 45.00 x 8.02 x 13.07	VAG96116B ■ ■ 45.00 x 8.03 x 13.58

BL650 Fibre Composite, 1.200mm BR510 Fibre Composite, 1.440mm	DL650 DN590 ▲ [10]	GL650 [10]	JC750 ■ JC415 ■ (x4)	JN547	HR569 ■	NF817 36.00x50.00x7.00mm FPM


BL650

[10] With gaskets/seals

[10] Avec joints

[10] Con guarnizioni

[10] Con juntas

165



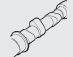



 **83.00**

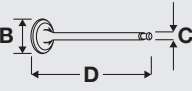



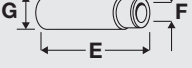


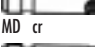
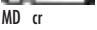
Petrol











XU5M2Z (BDY)	4 Cyl.	9:1	1580cc	65-71kW (88-97)PS	TD4846	921
XU5M3Z (BDY)	4 Cyl.	9.3:1	1580cc	65-66kW (88-90)PS	TD2864	921

205	05/90→09/98	309	07/89→12/93	405	07/87→10/96
------------	-------------	------------	-------------	------------	-------------

					
TB419 114x17	TBK010 Component No:TB419;AE1026TP		KIT		

 B x C x D	OE	MAT.				 E x F x G
V91277 ■ 41.60 x 8.00 x 108.80	0948.56	 MB	45°	Y	H	VAG92332B ■ 38.70 x 8.02 x 13.07
V91280 ■ 40.00 x 8.00 x 109.00	0948.47	 MB	45°		H	VAG92333B ■ 45.00 x 8.02 x 13.07
V91275 ■ 34.50 x 8.00 x 108.30	0949.57	 MD cr	45°			VAG96116B ■ ■ 45.00 x 8.03 x 13.58
V91279 ■ 33.00 x 8.00 x 108.70	0949.52	 MD cr	45°			

							
BL650 Fibre Composite, 1.200mm BR510 Fibre Composite, 1.440mm	DL650 DN590 ▲ [10]	GL650 [10]		JC750 ■ JC415 ■ (x4)	JN547	HR569 ■	NF817 36.00x50.00x7.00mm FPM



BL650

[10] With gaskets/seals

[10] Avec joints

[10] Con guarnizioni

[10] Con juntas

CITROEN/PEUGEOT

166



83.00

Petrol



XU5S (171)	4 Cyl.	9.5:1	1580cc	66-71kW (90-97)PS	TD2865	923
205	08/90→07/92		305	10/82→06/88		

TB226 113x17	TBK009 Component No:TB226;AE1020TP				

B x C x D	E x F x G
V91280 ■ 40.00 x 8.00 x 109.00 02/84→	VAG92332B ■ 38.70 x 8.02 x 13.07
V91279 ■ 33.00 x 8.00 x 108.70 02/84→	VAG92333B ■ 45.00 x 8.02 x 13.07
OE	
MAT.	
45°	
H	
MB	
MD cr	

BL650 Fibre Composite, 1.200mm BR510 Fibre Composite, 1.440mm	DL650 DN590 ▲ [10]	GL650 [10]		JC750 ■ JC415 ■ (x4) LT634	JN547	HR569 ■	NF817 36.00x50.00x7.00mm FPM



BL650

[10] With gaskets/seals

[10] Avec joints

[10] Con guarnizioni

[10] Con juntas

167

83.00

Petrol



XU51C (B1A) 4 Cyl. 9:1 1580cc 55kW (75)PS TD2857 923

205 08/86→09/98 305 10/82→12/88 309 10/85→07/89

TB226 113x17	TBK009 Component No:TB226;AE1020TP	CAM378	CKS9378		FOL88 (x8) [1]
[1] Mechanical	[1] Mécanique	[1] Meccanico	[1] Mecánico		

	OE	MAT.			
B x C x D			45°	H	E x F x G
V91280 ■ 40.00 x 8.00 x 109.00 02/84 →	0948.47		45°		VAG92332B ■ 38.70 x 8.02 x 13.07
V91279 ■ 33.00 x 8.00 x 108.70 02/84 →	0949.52		45°		VAG92333B ■ 45.00 x 8.02 x 13.07

BL650 Fibre Composite, 1.200mm BR510 Fibre Composite, 1.440mm	DN590 ▲ [10]	GL650 [10]	HBS083 △ M11x1.50x168.00mm (x10)	JC750 ■ JC415 ■ (x4) LT634	JN547	HR569 ■	NF817 36.00x50.00x7.00mm FPM



BL650
[10] With gaskets/seals [10] Avec joints [10] Con guarnizioni [10] Con juntas

168

83.00

Petrol



XU51C (B1D) 4 Cyl. 9.3:1 1580cc 55kW (75)PS TD2762 924

	OE	MAT.			
B x C x D			45°	H	E x F x G
V91280 ■ 40.00 x 8.00 x 109.00 02/84 →	0948.47		45°		VAG92332B ■ 38.70 x 8.02 x 13.07
V91279 ■ 33.00 x 8.00 x 108.70 02/84 →	0949.52		45°		VAG92333B ■ 45.00 x 8.02 x 13.07

	DL650						NF817 36.00x50.00x7.00mm FPM

CITROEN/PEUGEOT

169



83.00

Petrol



XU51C (B1E)

4 Cyl.

9.5:1

1580cc

53kW (72)PS

TD607

915

BX

01/87→12/94

TB226 113x17 →01/92	TBK009 →01/92 Component No:TB226;AE1020TP	CAM378	CK59378		FOL88 (x8) [1]
TB419 114x17 01/92→	TBK010 01/92→ Component No:TB419;AE1026TP				

[1] Mechanical

[1] Mécanique

[1] Meccanico

[1] Mecánico

B x C x D	OE	MAT.	45°	H	E x F x G
V91280 ■ 40.00 x 8.00 x 109.00	0948.47		45°	H	VAG92332B ■ 38.70 x 8.02 x 13.07
V91279 ■ 33.00 x 8.00 x 108.70	0949.52		45°		VAG92333B ■ 45.00 x 8.02 x 13.07

BL650 Fibre Composite, 1.200mm	DL650	GL650 [10]	HBS083 △ M11x1.50x168.00mm (x10)	JC750 ■ JC415 ■ (x4) LT634	JN547	HR569 ■	NF817 36.00x50.00x7.00mm FPM
BR510 Fibre Composite, 1.440mm	DN590 ▲ [10]						



BL650

[10] With gaskets/seals

[10] Avec joints

[10] Con guarnizioni

[10] Con juntas

170

 **83.00**
Petrol


XU51C (B1E)	4 Cyl.	9:1	1580cc	53-55kW (72-75)PS	TD2856 915
--------------------	--------	-----	--------	-------------------	--------------------------

205	03/87→09/98	309	08/87→07/89	405	07/87→12/92
------------	-------------	------------	-------------	------------	-------------

TB226 113x17 →01/92	TBK009 →01/92 Component No:TB226;AE1020TP	CAM378	CKS9378	FOL88 (x8) [1]	
TB419 114x17 01/92→	TBK010 01/92→ Component No:TB419;AE1026TP				
[1] Mechanical	[1] Mécanique	[1] Meccanico	[1] Mecánico		

B x C x D	OE	MAT.	45°	H	E x F x G
V91280 ■ 40.00 x 8.00 x 109.00	0948.47		45°		VAG92332B ■ 38.70 x 8.02 x 13.07
V91279 ■ 33.00 x 8.00 x 108.70	0949.52		45°		VAG92333B ■ 45.00 x 8.02 x 13.07

BL650 Fibre Composite, 1.200mm BR510 Fibre Composite, 1.440mm	DL650 DN590 ▲ [10]	GL650 [10]	HBS083 △ M11x1.50x168.00mm (x10)	JC750 ■ JC415 ■ (x4)	JN547	HR569 ■	NF817 36.00x50.00x7.00mm FPM



BL650
[10] With gaskets/seals [10] Avec joints [10] Con guarnizioni [10] Con juntas

CITROEN/PEUGEOT

171



83.00

Petrol



XU51C/K (B1A)

4 Cyl.

9.5:1

1580cc

58-59kW (79-80)PS

TD12428

920

BX

09/87→02/93

TB226 113x17 Eng.→5545 TB419 114x17 Eng.5546→	TBK009 Eng.→5545 Component No:TB226;AE1020TP TBK010 Eng.5546→ Component No:TB419;AE1026TP	CAM378	CK59378		FOL88 (x8) [1]
[1] Mechanical	[1] Mécanique	[1] Meccanico	[1] Mecánico		

B x C x D	E x F x G
OE	
MAT.	
45°	H
V91280 ■ 40.00 x 8.00 x 109.00	VAG92332B ■ 38.70 x 8.02 x 13.07
V91279 ■ 33.00 x 8.00 x 108.70	VAG92333B ■ 45.00 x 8.02 x 13.07
0948.47	
0949.52	
MB	
MD cr	

BL650 Fibre Composite, 1.200mm	DL650	GL650 [10]	HBS083 △	JC750 ■	JN547	HR569 ■	NF817
BR510 Fibre Composite, 1.440mm	DN590 ▲ [10]		M11x1.50x168.00mm (x10)	JC415 ■ (x4) ●LT634			36.00x50.00x7.00mm FPM



BL650

[10] With gaskets/seals

[10] Avec joints

[10] Con guarnizioni

[10] Con juntas

172







 **83.00**

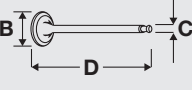
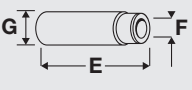


Petrol





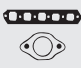





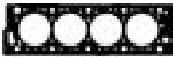
XU52C 4 Cyl. 8.95-9.8 1580cc **68kW (92)PS** **TD14648** **925**

BX 10/82→12/92

					
TB226 113x17 →01/92	TBK009 →01/92 Component No:TB226;AE1020TP				
TB419 114x17 01/92→	TBK010 01/92→ Component No:TB419;AE1026TP				

	
B x C x D	E x F x G
OE	
MAT.	
	
V91280 ■ 40.00 x 8.00 x 109.00	VAG92332B ■ 38.70 x 8.02 x 13.07
V91279 ■ 33.00 x 8.00 x 108.70	VAG92333B ■ 45.00 x 8.02 x 13.07
0948.47	
0949.52	
MB	
MD cr	

							
BL650 Fibre Composite, 1.200mm BR510 Fibre Composite, 1.440mm	DN590 ▲ [10]	GL650 [10]	HBS083 △ M11x1.50x168.00mm (x10)	JC750 ■ JC415 ■ (x4) LT634	JN547	HR569 ■	NF817 36.00x50.00x7.00mm FPM



BL650

[10] With gaskets/seals

[10] Avec joints

[10] Con guarnizioni

[10] Con juntas

CITROEN/PEUGEOT

173



83.00

Petrol



XU52C/K (B2A)

4 Cyl.

9.5:1

1580cc

68kW (92)PS

TD12430

915

309

07/89→12/93

405

01/87→05/97

TB226 113x17 Eng.→5545	TBK009 Eng.→5545 Component No:TB226;AE1020TP				FOL88 (x8) [1]
TB419 114x17 Eng.5546→	TBK010 Eng.5546→ Component No:TB419;AE1026TP				

[1] Mechanical

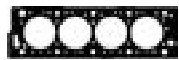
[1] Mécanique

[1] Meccanico

[1] Mecánico

B x C x D	E x F x G
OE	
MAT.	
V91280 ■ 40.00 x 8.00 x 109.00	VAG92332B ■ 38.70 x 8.02 x 13.07
V91279 ■ 33.00 x 8.00 x 108.70	VAG92333B ■ 45.00 x 8.02 x 13.07

BL650 Fibre Composite, 1.200mm BR510 Fibre Composite, 1.440mm	DL650 DN590 ▲ [10]	GL650 [10]	HBS038 ☉ M11x1.50x175.00mm (x10) HBS083 △ M11x1.50x168.00mm (x10)	JC750 ■ JC415 ■ (x4)	JN547	HR569 ■	NF817 36.00x50.00x7.00mm FPM



BL650

[10] With gaskets/seals

[10] Avec joints

[10] Con guarnizioni

[10] Con juntas

174	83.00	Petrol				
XU7JB (LFX)	4 Cyl.	9.5:1	1761cc	66kW (89)PS	TD12708	926
XU7JB (LFX)	4 Cyl.	9.5:1	1761cc	66kW (89)PS	TD9457	927
406	05/97→10/04	BERLINGO	04/97→	PARTNER	05/97→	
XANTIA	04/97→04/03	XSARA	04/97→09/00			

TB419	TBK010				
114x17	Component No:TB419;AE1026TP				

	OE		Ex F x G
V91277 ■	0948.56		VAG92332B ■
41.60 x 8.00 x 108.80			38.70 x 8.02 x 13.07
V91275 ■	0949.57		VAG96056B ■
34.50 x 8.00 x 108.30			45.00 x 8.03 x 13.07

BL650 Fibre Composite, 1.200mm	DL651 ▲		HBS260 ⊕	JD5254 ■ (x4)	JP043	HR569 ■	NF817
BR510 Fibre Composite, 1.440mm			M11x1.50x168.00mm (x10)	JD520 ■			36.00x50.00x7.00mm FPM



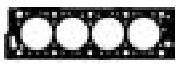
BL650

175	83.00	Petrol				
XU7JP (LFW)	4 Cyl.	9.3:1	1761cc	73kW (99)PS	TD2867	928
806	07/95→08/02					

TB419	TBK010				
114x17	Component No:TB419;AE1026TP				

	OE		Ex F x G
V91277 ■	0948.56		VAG92332B ■
41.60 x 8.00 x 108.80			38.70 x 8.02 x 13.07
V91275 ■	0949.57		VAG96056B ■
34.50 x 8.00 x 108.30			45.00 x 8.03 x 13.07
			VAG96116B ■
			45.00 x 8.03 x 13.58

BL650 Fibre Composite, 1.200mm			HBS260 ⊕	JD519 ■ (x2)		HR569 ■
BR510 Fibre Composite, 1.440mm			M11x1.50x168.00mm (x10)			NF817
			Eng.07448→			36.00x50.00x7.00mm FPM



BL650

CITROEN/PEUGEOT

176


83.00
Petrol


XU7JP (LFZ)	4 Cyl.	1761cc	74kW (100)PS	TD2866	928	
XU7JP (LFZ)	4 Cyl.	9.25:1	1761cc	73kW (99)PS	TD5116	929
306	05/93→04/02	405	08/92→11/99	EVASION	05/97→07/02	
EXPERT	10/96→09/00	XANTIA	03/93→01/98	XSARA	04/97→09/00	
ZX	07/92→10/97					

TB419 114x17	TBK010 Component No:TB419;AE1026TP		KIT		

B x C x D	E x F x G

V91277 ■ 41.60 x 8.00 x 108.80	0948.56		45°	Y	H	VAG92332B ■ 38.70 x 8.02 x 13.07	
V91275 ■ 34.50 x 8.00 x 108.30	0949.57		45°			VAG96056B ■ 45.00 x 8.03 x 13.07	
						VAG96116B ■ 45.00 x 8.03 x 13.58	

BL650 Fibre Composite, 1.200mm BR510 Fibre Composite, 1.440mm	CY130 ▲ [10] CY131 ▲ [10]		HBS260 ⊕ M11x1.50x168.00mm (x10) Eng.07448 →	JD519 ■ (x2) JD520 ■ (x4)		JP043	HR569 ■	NF817 36.00x50.00x7.00mm FPM


BL650

[10] With gaskets/seals

[10] Avec joints

[10] Con guarnizioni

[10] Con juntas

177


83.00
Petrol


XU7JP4 (LFY)	4 Cyl.	10.4:1	1761cc	66/85kW (90/116)PS	TD4279	930
XU7JP4 (LFY)	4 Cyl.	10.4:1	1761cc	81kW (110)PS	TD4849	930
306	03/97→04/02		406	11/95→10/00	XANTIA	06/95→04/03
XSARA	04/97→09/00		ZX	01/96→02/98		

TB479 136x25.4	TBK122 Eng.08470→ Component No:TB479; AE1102TP;AE1044GP				FOL134 (x16)

	OE	MAT.				
B x C x D			45°	Y	H	E x F x G
V94229	0948.75		45°	Y	H	VAG96166B
34.60 x 7.00 x 106.40 Eng.→7359		MB				40.00 x 7.02 x 12.08 Eng.→7359
V94175	0948.92		45°	Y	H	
34.60 x 6.00 x 106.40 Eng.7360→		MB				
V94167	0948.82		45°	Y	H	
34.10 x 6.00 x 106.40		MB				
V94217	0949.81		45°		H	
29.60 x 7.00 x 105.70 Eng.→7359		MG cr				
V94176	0949.92		45°	ss	H	
29.60 x 6.00 x 105.80 Eng.7360→		MG cr				

AD5100 Fibre Composite	CD5100 →Eng.7965		HBS089		JM7121	HR5080	NF817 36.00x50.00x7.00mm FPM
			M11x1.50x159.00mm (x10)		(Elastomer)	→Eng.07359 HR5081	
						Eng.07360→ →Eng.07965	


AD5100

CITROEN/PEUGEOT

178



83.00

Petrol



159A 4 Cyl. 9.3:1 1905cc 75kW (102)PS TD584 931

BX 07/86 → 05/89

TB266 107x21.6	TBK009 Component No:TB226;AE1020TP				

BL650 Fibre Composite, 1.200mm BR510 Fibre Composite, 1.440mm	DL650 DN590 ▲ [10]	GL650 [10]	HBS083 △ M11x1.50x168.00mm (x10)	JC750 ■ JC415 ■ (x4) ⊕ LT634	JN547	HR569 ■	NF817 36.00x50.00x7.00mm FPM



BL650
[10] With gaskets/seals [10] Avec joints [10] Con guarnizioni [10] Con juntas

179



83.00

Petrol

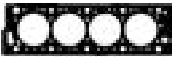


D2E 4 Cyl. 9:1 1905cc 78-79kW (107-108)PS TD22449 933

XU9JA (D6E) 4 Cyl. 1905cc 93kW (126)PS TD22622 938

BX 06/89 → 05/91 ZX 03/91 → 06/97

BL650 Fibre Composite, 1.200mm BR510 Fibre Composite, 1.440mm	DL650 DN590 ▲ [10]	GL650 [10]	HBS083 △ M11x1.50x168.00mm (x10)	JC750 ■ JC415 ■ (x4) ⊕ LT634	JN547	HR569 ■	NF817 36.00x50.00x7.00mm FPM



BL650
[10] With gaskets/seals [10] Avec joints [10] Con guarnizioni [10] Con juntas

180



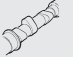



 **83.00**









Petrol

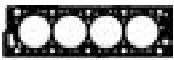


D2F 4 Cyl. 9:1 1905cc **80kW (109)PS** **TD630** **934**

BX 04/89→02/93

					
TB226 113x17 →01/92	TBK009 →01/92 Component No:TB226;AE1020TP		KIT		
TB419 114x17 01/92→	TBK010 01/92→ Component No:TB419;AE1026TP				

							
BL650 Fibre Composite, 1.200mm BR510 Fibre Composite, 1.440mm	DL650 DN590 ▲ [10]	GL650 [10]	HBS083 △ M11x1.50x168.00mm (x10)	JC750 ■ JC415 ■ (x4) LT634	JN547	HR569 ■	NF817 36.00x50.00x7.00mm FPM



BL650

[10] With gaskets/seals

[10] Avec joints

[10] Con guarnizioni

[10] Con juntas

CITROEN/PEUGEOT

181


83.00
Petrol


XU92C (D2A)	4 Cyl.	9.3:1	1905cc	75kW (102)PS	TD2869	942
XU92C (D2A)	4 Cyl.	9.3:1	1905cc	76kW (103)PS	TD628	943
XU9J1 (DFZ)	4 Cyl.	9.3:1	1905cc	90kW (122)PS	TD2870	935
XU9J1 (DFZ)	4 Cyl.	9.3:1	1905cc	90kW (122)PS	TD9548	935
XU9J2 (D6A)	4 Cyl.	9.3:1	1905cc	90-92kW (122-125)PS	TD22159	936
XU9J2 (D6A)	4 Cyl.	9.3:1	1905cc	90kW (122)PS	TD631	935
XU9M (DDZ)	4 Cyl.	9.3:1	1905cc	90kW (122)PS	TD2878	936
XU9M (DDZ)	4 Cyl.	9.2:1	1905cc	80kW (109)PS	TD639	940

205	05/86→05/97	305	11/86→12/88	309	03/86→12/93
405	07/87→12/92	BX	07/86→12/94		

TB226 113x17 →01/92	TBK009 →01/92 Component No:TB226;AE1020TP				
TB419 114x17 01/92→	TBK010 01/92→ Component No:TB419;AE1026TP				

B x C x D	E x F x G
V91277 ■ 41.60 x 8.00 x 108.80	VAG96116B ■ 45.00 x 8.03 x 13.58
V91275 ■ 34.50 x 8.00 x 108.30	
OE	
MAT.	
45°	
Y	
H	
MB	
MD cr	

BL650 Fibre Composite, 1.200mm BR510 Fibre Composite, 1.440mm	DL650 DN590 ▲ [10]	GL650 [10]	HBS083 ▲ M11x1.50x168.00mm (x10)	JC750 ■ JC415 ■ (x4) ● LT634	JN547	HR569 ■	NF817 36.00x50.00x7.00mm FPM


BL650

[10] With gaskets/seals

[10] Avec joints

[10] Con guarnizioni

[10] Con juntas

182



83.00

Petrol



XU9J4 (D6C) 4 Cyl. 10.4:1 1905cc 116kW (158)PS TD2873 937

309 08/89→07/90 405 06/87→07/92

TB226 113x17 →01/92	TBK009 →01/92 Component No:TB226;AE1020TP				FOL134 (x16)
TB419 114x17 01/92→	TBK010 01/92→ Component No:TB419;AE1026TP				

	OE	MAT.			
V91469 ■ 34.50 x 7.00 x 106.50	0948.61		45°	H	VAG96078 ■ 45.00 x 7.00 x 11.03
V91470 ■ 29.60 x 7.00 x 105.70	0949.62		45°		VAG96166B ■ 40.00 x 7.02 x 12.08

BR510 Fibre Composite, 1.440mm	DF180 ○ [11] DR510 [10]		HBS038 ⊕ M11x1.50x175.00mm (x10)	JD5763 ■ (x2) JD5764 ■	JP044	HR599 ■	NF817 (x2) ■ 36.00x50.00x7.00mm FPM NF869 (x2) ■ 32.00x45.00x8.00mm FPM

[10] With gaskets/seals
[11] Without gaskets/seals

[10] Avec joints
[11] Sans joints

[10] Con guarnizioni
[11] Senza guarnizioni

[10] Con juntas
[11] Sin juntas

183



83.00

Petrol



XU9J4 (D6C) 4 Cyl. 10.4:1 1905cc 116kW (158)PS TD632 937

BX 09/87→12/88

TB226 113x17 →01/92	TBK009 →01/92 Component No:TB226;AE1020TP				FOL134 (x16)
TB419 114x17 01/92→	TBK010 01/92→ Component No:TB419;AE1026TP				

	OE	MAT.			
V91469 ■ 34.50 x 7.00 x 106.50	0948.61		45°	H	VAG96078 ■ 45.00 x 7.00 x 11.03
V91470 ■ 29.60 x 7.00 x 105.70	0949.62		45°		VAG96166B ■ 40.00 x 7.02 x 12.08

BR510 Fibre Composite, 1.440mm	DF180 ○ [11] DR510 [10]		HBS038 ⊕ M11x1.50x175.00mm (x10)	JD5763 ■ (x2) JD5764 ■	JP044	HR599 ■	NF817 36.00x50.00x7.00mm FPM NF869 (x2) 32.00x45.00x8.00mm FPM

[10] With gaskets/seals
[11] Without gaskets/seals

[10] Avec joints
[11] Sans joints

[10] Con guarnizioni
[11] Senza guarnizioni

[10] Con juntas
[11] Sin juntas

CITROEN/PEUGEOT

184



83.00

Petrol



XU9J4 (DFW)

4 Cyl.

10.4:1

1905cc

116kW (158)PS

TD640

937

BX

03/88→02/93

TB345 133x25.4					

B x C x D	E x F x G
OE	
MAT.	
45°	H
V91469 ■	VAG96078 ■
34.50 x 7.00 x 106.50	45.00 x 7.00 x 11.03
V91470 ■	VAG96166B ■
29.60 x 7.00 x 105.70	40.00 x 7.02 x 12.08
MB cr	
MD cr	

BR510 Fibre Composite, 1.440mm	DF180 ○ [11] DR510 [10]		HBS038 ⊕ M11x1.50x175.00mm (x10)	JD5763 ■ (x2) JD5764 ■	JP044	HR599 ■	NF817 36.00x50.00x7.00mm FPM NF869 (x2) 32.00x45.00x8.00mm FPM
[10] With gaskets/seals [11] Without gaskets/seals	[10] Avec joints [11] Sans joints	[10] Con guarnizioni [11] Senza guarnizioni	[10] Con juntas [11] Sin juntas				

185



83.00

Petrol



XU9J4Z (DFW)

4 Cyl.

9.3:1

1905cc

90kW (122)PS

TD2875

937

309

10/90→12/93

405

04/88→12/92

TB345 133x25.4 →01/92					FOL134 (x16)
TB419 114x17 01/92→					

B x C x D	E x F x G
OE	
MAT.	
45°	H
V91469 ■	VAG96078 ■
34.50 x 7.00 x 106.50	45.00 x 7.00 x 11.03
V91470 ■	VAG96166B ■
29.60 x 7.00 x 105.70	40.00 x 7.02 x 12.08
MB cr	
MD cr	

BR510 Fibre Composite, 1.440mm	DF180 ○ [11] DR510 [10]		HBS038 ⊕ M11x1.50x175.00mm (x10)	JD5763 ■ (x2) JD5764 ■	JP044	HR599 ■	NF817 (x2) ■ 36.00x50.00x7.00mm FPM NF869 (x2) ■ 32.00x45.00x8.00mm FPM
[10] With gaskets/seals [11] Without gaskets/seals	[10] Avec joints [11] Sans joints	[10] Con guarnizioni [11] Senza guarnizioni	[10] Con juntas [11] Sin juntas				

186







 **83.00**

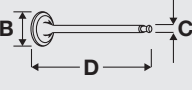

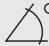


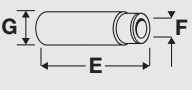

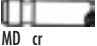
Petrol





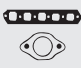





XU9JA (D6B) 4 Cyl. 9.3:1 1905cc **94-96kW (128-131)PS** **TD2872** **935**

205 10/86→09/98 **309** 10/86→07/89

					
TB226 113x17 →01/92	TBK009 →01/92 Component No:TB226;AE1020TP				
TB419 114x17 01/92→	TBK010 01/92→ Component No:TB419;AE1026TP				

						
B x C x D	OE	MAT.	45°	Y	H	E x F x G
V91277 ■ 41.60 x 8.00 x 108.80	0948.56		45°			VAG96116B ■ 45.00 x 8.03 x 13.58
V91275 ■ 34.50 x 8.00 x 108.30	0949.57		45°			

							
BL650 Fibre Composite, 1.200mm BR510 Fibre Composite, 1.440mm	DN590 ▲ [10]	GL650 [10]	HBS083 △ M11x1.50x168.00mm (x10)	JC750 ■ JC415 ■ (x4)	JN547	HR569 ■	NF817 36.00x50.00x7.00mm FPM



BL650

[10] With gaskets/seals

[10] Avec joints

[10] Con guarnizioni

[10] Con juntas

CITROEN/PEUGEOT

187


83.00
Petrol


XU9JA (DKZ)	4 Cyl.	9.3:1	1905cc	90kW (122)PS	TD647	939
XU9JAZ (DKZ)	4 Cyl.	9.3:1	1905cc	90kW (122)PS	TD2877	936
205	10/87→05/97		309	07/88→12/93	405	06/87→12/92
BX	06/88→12/94		ZX	03/91→06/97		

TB226 113x17 →01/92	TBK009 →01/92 Component No:TB226;AE1020TP	CAM459	KIT	FOL88 (x8) [1]
TB419 114x17 01/92→	TBK010 01/92→ Component No:TB419;AE1026TP			

[1] Mechanical

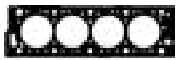
[1] Mécanique

[1] Meccanico

[1] Mecánico

V91277 ■ 41.60 x 8.00 x 108.80	V91275 ■ 34.50 x 8.00 x 108.30	VAG961168 ■ 45.00 x 8.03 x 13.58
OE: 0948.56	OE: 0949.57	
MAT. MB	MAT. MD cr	
45°	45°	
Y		
H		

BL650 Fibre Composite, 1.200mm	DN590 ▲ [10]	GL650 [10]	HBS038 ⊕ M11x1.50x175.00mm (x10)	JC750 ■ JC415 ■ (x4)	JN547	HR569 ■	NF817 36.00x50.00x7.00mm FPM
BR510 Fibre Composite, 1.440mm			HBS083 △ M11x1.50x168.00mm (x10)	LT634			


BL650

[10] With gaskets/seals

[10] Avec joints

[10] Con guarnizioni

[10] Con juntas

188



83.00

Petrol



XU92C (D2C)	4 Cyl.	9.3:1	1905cc	70kW (95)PS	TD2871	943
XU92C (D2C)	4 Cyl.	9.3:1	1905cc	70kW (95)PS	TD629	943
XU95 (159)	4 Cyl.	9.3:1	1905cc	75kW (102)PS	TD2879	941

305	10/82→10/87	405	07/87→12/92	BX	09/86→12/89
------------	-------------	------------	-------------	-----------	-------------

TB226 113x17 →01/92	TBK009 →01/92 Component No:TB226;AE1020TP				
TB419 114x17 01/92→	TBK010 01/92→ Component No:TB419;AE1026TP				

B x C x D	E x F x G
OE	
MAT.	
45°	45°
Y	H
V91277 ■ 41.60 x 8.00 x 108.80	VAG961168 ■ 45.00 x 8.03 x 13.58
V91275 ■ 34.50 x 8.00 x 108.30	
MB	
MD cr	

BL650 Fibre Composite, 1.200mm BR510 Fibre Composite, 1.440mm	DN590 ▲ [10]	GL650 [10]	HBS038 Ⓢ M11x1.50x175.00mm (x10) HBS083 Ⓢ M11x1.50x168.00mm (x10)	JC750 ■ JC415 ■ (x4) LT634 Ⓢ	JN547	HR569 ■	NF817 36.00x50.00x7.00mm FPM



BL650

[10] With gaskets/seals

[10] Avec joints

[10] Con guarnizioni

[10] Con juntas


XU9S (D2B)

4 Cyl.

9.3:1

1905cc

75kW (102)PS
TD2772
941
309

10/85→07/89

TB226 113x17	TBK009 Component No:TB226;AE1020TP				

B x C x D	E x F x G
V91277 41.60 x 8.00 x 108.80	VAG96116B 45.00 x 8.03 x 13.58
V91275 34.50 x 8.00 x 108.30	

BL650 Fibre Composite, 1.200mm BR510 Fibre Composite, 1.440mm	DN590 ▲ [10]	GL650 [10]	HBS083 M11x1.50x168.00mm (x10)	JC750 JC415 (x4) LT634	JN547	HR569	NF817 36.00x50.00x7.00mm FPM


BL650

[10] With gaskets/seals

[10] Avec joints

[10] Con guarnizioni

[10] Con juntas



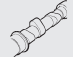



190

 **83.00**

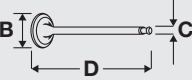










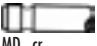



Diesel













XUD9	4 Cyl.	23.5:1	1905cc	51kW (70)PS	TD8478	944
306	04/93→05/99		306 Van	02/94→10/95	405	09/93→12/95
J5	09/87→08/90		PARTNER	05/96→12/98		

					
TB560 136x25.4 HNBR	TBK020 Component No:TB175; AE1080TP;AE1081GP	CAM373 [2] CAM354 [7]	CKS2373 CKS2354		FOL150 (x8) [1]

[1] Mechanical [1] Mécanique [1] Meccanico [1] Mecánico
 [2] Camshaft driven vacuum pump [2] Pompe à vide entraînée par l'arbre à cames [2] Pompa vacuum azionata dall'albero a camme [2] Bomba de vacío accionada por el árbol de levas
 [7] Pulley driven vacuum pump [7] Pompe à vide entraînée par poulie [7] Pompa vacuum azionata dalla puleggia [7] Bomba de vacío accionada por polea

	OE	MAT.			
B x C x D					E x F x G
V91143 	0948.49	 MB	30°	H	VAG92331B  50.00 x 8.03 x 14.08 →01/86
V91144 	0948.63	 MB	45°	H	VAG92288B  52.00 x 8.03 x 14.28 01/86→
V91145 	0949.47	 MD cr	45°		VAG96160B  48.00 x 8.02 x 14.09
V94024 	0949.64	 MD	45°		

							
				JD5972 			NF841 35.00x50.00x8.00mm FPM
				JC423 			



XUD9 (162)	4 Cyl.	23.5:1	1905cc	47-48kW (64-65)PS	TD2886	945
XUD9 (162)	4 Cyl.	23.5:1	1905cc	47kW (64)PS	TD587	945
XUD9 (D9A)	4 Cyl.	23.5:1	1905cc	47kW (64)PS	TD2754	945
XUD9 (D9A)	4 Cyl.	23.5:1	1905cc	55kW (72)PS	TD4265	945

305	10/82→12/88	309	06/86→12/93	BX	09/83→11/94
------------	-------------	------------	-------------	-----------	-------------

TB560 136x25.4 HNBR	TBK019 →12/93 Component No:TB175; AE1021TP;AE1022GP TBK020 01/94→ Component No:TB175; AE1080TP;AE1081GP	CAM373 [2] CAM354 [7]	CKS2373 CKS2354		FOL73 (x8) [1]

[1] Mechanical [1] Mécanique [1] Meccanico [1] Mecánico
 [2] Camshaft driven vacuum pump [2] Pompe à vide entraînée par l'arbre à cames [2] Pompa vacuum azionata dall'albero a camme [2] Bomba de vacío accionada por el árbol de levas
 [7] Pulley driven vacuum pump [7] Pompe à vide entraînée par poulie [7] Pompa vacuum azionata dalla puleggia [7] Bomba de vacío accionada por polea

B x C x D	E x F x G
V91143	VAG92331B
38.00 x 8.00 x 112.40 →01/86	50.00 x 8.03 x 14.08 →01/86
V91144	VAG92288B
38.50 x 8.00 x 112.50 01/86→	52.00 x 8.03 x 14.28 01/86→
V91145	VAG96160B
33.00 x 8.00 x 112.00	48.00 x 8.02 x 14.09
V94024	
33.00 x 8.00 x 112.00	

BX880 Fibre Composite, 1.360mm, 1 Notch ☞(0.56)→(0.67) mm	DJ720 ▲	GJ720 ▲	HBS084 ☞ M12x1.50x120.00mm (x10)	JD5972 JC759 (Steel) JC423 (x2)	JN544	HR569	NF841 35.00x50.00x8.00mm FPM
BX890 Fibre Composite, 1.400mm, 2 Notches ☞(0.68)→(0.71) mm							
BX900 Fibre Composite, 1.440mm, 3 Notches ☞(0.72)→(0.75) mm							
BX910 Fibre Composite, 1.480mm, 4 Notches ☞(0.76)→(0.79) mm							
BX920 Fibre Composite, 1.520mm, 5 Notches ☞(0.8)→(0.83) mm							



BX880, BX890, BX900, BX910, BX920

192







 **83.00**

Diesel

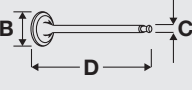



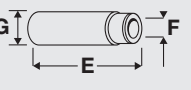


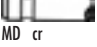






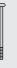




XUD9A (D9B) 4 Cyl. 23.5:1 1905cc **51kW (69)PS** **TD2834** **946**

405 03/88→11/99 **J5** 09/87→03/94

					
TB560 136x25.4 HNBR	TBK019 Component No:TB175; AE1021TP;AE1022GP	CAM373 [2] CAM354 [7]	CKS2373 CKS2354		FOL150 (x8) [1]

[1] Mechanical [1] Mécanique [1] Meccanico [1] Mecánico
 [2] Camshaft driven vacuum pump [2] Pompe à vide entraînée par l'arbre à cames [2] Pompa vacuum azionata dall'albero a camme [2] Bomba de vacío accionada por el árbol de levas
 [7] Pulley driven vacuum pump [7] Pompe à vide entraînée par poulie [7] Pompa vacuum azionata dalla puleggia [7] Bomba de vacío accionada por polea

 B x C x D	OE	MAT.				 E x F x G
V91143 ■ 38.00 x 8.00 x 112.40 →01/86	0948.49	 MB	30°	H		VAG92331B ■ ■ ■ 50.00 x 8.03 x 14.08 →01/86
V91144 ■ 38.50 x 8.00 x 112.50 01/86→	0948.63	 MB	45°	H		VAG92288B ■ ■ ■ 52.00 x 8.03 x 14.28 01/86→
V91145 ■ 33.00 x 8.00 x 112.00	0949.47	 MD cr	45°			VAG96160B ■ ■ ■ 48.00 x 8.02 x 14.09
V94024 ■ 33.00 x 8.00 x 112.00	0949.64	 MD	45°			

							
BX880 Fibre Composite, 1.360mm, 1 Notch ☞(0.56)→(0.67) mm	DJ720 ▲	GJ720 ▲	HBS084 ☉ M12x1.50x120.00mm (x10)	JC759 (Steel) JC423 ■	JN544	HR569 ■	NB959 35.00x50.00x7.00mm FPM NF841 35.00x50.00x8.00mm FPM



BX880, BX890, BX900, BX910, BX920

193


83.00
Diesel


XUD9A (DJY)	4 Cyl.	23.5:1	1905cc	51kW (69)PS	TD2887	946
XUD9A (DJY)	4 Cyl.	23.5:1	1905cc	51kW (70)PS	TD6556	946
306	06/94→04/02	405	10/88→10/96	BERLINGO	07/96→	
BOXER	07/99→04/02	C25	01/88→01/94	JUMPER	07/99→04/02	
PARTNER	05/96→	XSARA	04/97→09/00	ZX	07/93→06/97	

TB560 136x25.4 HNBR	TBK020 Component No:TB175; AE1080TP;AE1081GP	CAM373 [2] CAM354 [7]	CKS2373 CKS2354		FOL150 (x8) [1]

[1] Mechanical [1] Mécanique [1] Meccanico [1] Mecánico
 [2] Camshaft driven vacuum pump [2] Pompe à vide entraînée par l'arbre à cames [2] Pompa vacuum azionata dall'albero a camme [2] Bomba de vacío accionada por el árbol de levas
 [7] Pulley driven vacuum pump [7] Pompe à vide entraînée par poulie [7] Pompa vacuum azionata dalla puleggia [7] Bomba de vacío accionada por polea

B x C x D	E x F x G
V91143	VAG92331B
0948.49	50.00 x 8.03 x 14.08
38.00 x 8.00 x 112.40	→01/86
→01/86	VAG92288B
V91144	52.00 x 8.03 x 14.28
0948.63	01/86→
38.50 x 8.00 x 112.50	VAG96160B
01/86→	48.00 x 8.02 x 14.09
V91145	
0949.47	
33.00 x 8.00 x 112.00	
V94024	
0949.64	
33.00 x 8.00 x 112.00	

BX880 Fibre Composite, 1.360mm, 1 Notch ⊖(0.56)→⊕(0.67) mm	DJ720 ▲	GJ720 ▲	HBS084	JC759 (Steel) JC991 JC423	JN544	HR569	NF841 35.00x50.00x8.00mm FPM
BX890 Fibre Composite, 1.400mm, 2 Notches ⊖(0.68)→⊕(0.71) mm			M12x1.50x120.00mm (x10)				
BX900 Fibre Composite, 1.440mm, 3 Notches ⊖(0.72)→⊕(0.75) mm							
BX910 Fibre Composite, 1.480mm, 4 Notches ⊖(0.76)→⊕(0.79) mm							
BX920 Fibre Composite, 1.520mm, 5 Notches ⊖(0.8)→⊕(0.83) mm							



BX880, BX890, BX900, BX910, BX920







194

 **83.00**

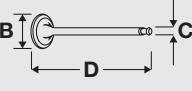
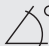

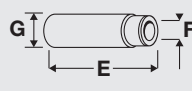







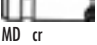



Diesel




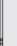









XUD9A/L (D9B)	4 Cyl.	23.5:1	1905cc	50kW (68)PS	TD4267	947
XUD9AU (D9B)	4 Cyl.	23:1	1905cc	51kW (70)PS	TD2880	950
BERLINGO	07/96→	BOXER	03/94→04/02	EXPERT	02/96→	
XANTIA	06/94→01/98					

					
TB560 136x25.4 HNBR	TBK020 Component No:TB175; AE1080TP;AE1081GP	CAM373 [2] CAM354 [7]	CKS2373 CKS2354		FOL150 (x8) [1]

[1] Mechanical [1] Mécanique [1] Meccanico [1] Mecánico
 [2] Camshaft driven vacuum pump [2] Pompe à vide entraînée par l'arbre à cames [2] Pompa vacuum azionata dall'albero a camme [2] Bomba de vacío accionada por el árbol de levas
 [7] Pulley driven vacuum pump [7] Pompe à vide entraînée par poulie [7] Pompa vacuum azionata dalla puleggia [7] Bomba de vacío accionada por polea

	OE	MAT.			
B x C x D					E x F x G
V91143  38.00 x 8.00 x 112.40 →01/86	0948.49	 MB	30°	H	VAG92331B  50.00 x 8.03 x 14.08 →01/86
V91144  38.50 x 8.00 x 112.50 01/86→	0948.63	 MB	45°	H	VAG92288B  52.00 x 8.03 x 14.28 01/86→
V91145  33.00 x 8.00 x 112.00	0949.47	 MD cr	45°		VAG96160B  48.00 x 8.02 x 14.09
V94024  33.00 x 8.00 x 112.00	0949.64	 MD	45°		

							
BX880 Fibre Composite, 1.360mm, 1 Notch ⊖(0.56)→(0.67) mm	DJ720 ▲	GJ720 ▲	HBS084  M12x1.50x120.00mm (x10)	JC759 (Steel) JC423 	JN544	HR569 	NB959 35.00x50.00x7.00mm FPM NF841 35.00x50.00x8.00mm FPM
BX890 Fibre Composite, 1.400mm, 2 Notches ⊖(0.68)→(0.71) mm							
BX900 Fibre Composite, 1.440mm, 3 Notches ⊖(0.72)→(0.75) mm							
BX910 Fibre Composite, 1.480mm, 4 Notches ⊖(0.76)→(0.79) mm							
BX920 Fibre Composite, 1.520mm, 5 Notches ⊖(0.8)→(0.83) mm							



BX880, BX890, BX900, BX910, BX920



XUD9A/U (D9B)	4 Cyl.	23.5:1	1905cc	66kW (90)PS	TD4266	948
BX	03/87→12/94	C25		07/87→02/94	JUMPER	02/94→04/02
JUMPY	10/95→08/98	ZX		07/93→10/97		

TB560 136x25.4 HNBR	TBK019 →12/93 Component No:TB175; AE1021TP;AE1022GP TBK020 01/94→ Component No:TB175; AE1080TP;AE1081GP	CAM373 [2] CAM354 [7]	CKS2373 CKS2354		FOL150 (x8) [1]

[1] Mechanical [2] Camshaft driven vacuum pump [7] Pulley driven vacuum pump [1] Mécanique [2] Pompe à vide entraînée par l'arbre à cames [7] Pompe à vide entraînée par poulie [1] Meccanico [2] Pompa vacuum azionata dall'albero a camme [7] Pompa vacuum azionata dalla puleggia [1] Mecánico [2] Bomba de vacío accionada por el árbol de levas [7] Bomba de vacío accionada por polea

	B x C x D	OE	MAT.					E x F x G
V91143 ■	38.00 x 8.00 x 112.40 →01/86	0948.49		30°				VAG92331B ■ ■ ■ 50.00 x 8.03 x 14.08 →01/86
V91144 ■	38.50 x 8.00 x 112.50 01/86→	0948.63		45°				VAG92288B ■ ■ ■ 52.00 x 8.03 x 14.28 01/86→
V91145 ■	33.00 x 8.00 x 112.00	0949.47		45°				VAG96160B ■ ■ ■ 48.00 x 8.02 x 14.09
V94024 ■	33.00 x 8.00 x 112.00	0949.64		45°				

BX880 Fibre Composite, 1.360mm, 1 Notch ☞(0.56)→(0.67) mm	DJ720 ▲	GJ720 ▲	HBS084 ☞ M12x1.50x120.00mm (x10)	JC759 (Steel) JC423 ■	JN544	HR569 ■	NB959 35.00x50.00x7.00mm FPM NF841 35.00x50.00x8.00mm FPM
BX890 Fibre Composite, 1.400mm, 2 Notches ☞(0.68)→(0.71) mm							
BX900 Fibre Composite, 1.440mm, 3 Notches ☞(0.72)→(0.75) mm							
BX910 Fibre Composite, 1.480mm, 4 Notches ☞(0.76)→(0.79) mm							
BX920 Fibre Composite, 1.520mm, 5 Notches ☞(0.8)→(0.83) mm							



BX880, BX890, BX900, BX910, BX920

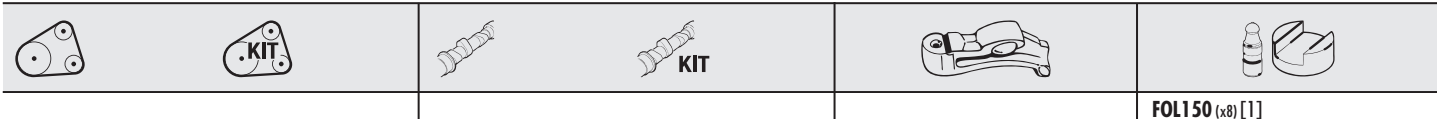
196

 **83.00**

Diesel

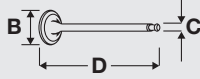



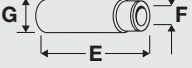










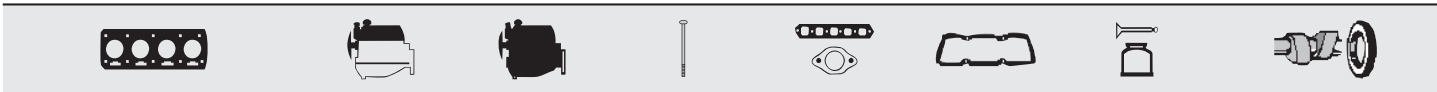
XUD9AU (D8C) 4 Cyl. 23:1 1905cc **51kW (69)PS** **TD10827** **949**


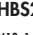



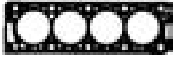
FOL150 (x8) [1]

[1] Mechanical [1] Mécanique [1] Meccanico [1] Mecánico

 B x C x D	OE	MAT.				 E x F x G
V91144  38.50 x 8.00 x 112.50	0948.63	 MB	45°		H	VAG92288B  52.00 x 8.03 x 14.28
V91145  33.00 x 8.00 x 112.00	0949.47	 MD cr	45°			VAG96160B  48.00 x 8.02 x 14.09
V94024  33.00 x 8.00 x 112.00	0949.64	 MD	45°			



BX930 Steel Elastomer, 1.360mm, 1 Notch BX940 Steel Elastomer, 1.400mm, 2 Notches BX950 Steel Elastomer, 1.440mm, 3 Notches BX960 Steel Elastomer, 1.480mm, 4 Notches BX970 Steel Elastomer, 1.520mm, 5 Notches BX980 Steel Elastomer, 1.590mm <small>±(0.83) mm →</small>	DJ720 ▲	 GJ720 ▲	HBS277  M12x1.50x148.00mm (x10)	JC759 (Steel)	JN544	HR569 	NB959 35.00x50.00x7.00mm FPM NF841 35.00x50.00x8.00mm FPM
--	----------------	--	--	-------------------------	--------------	--	--



BX930, BX940, BX950, BX960, BX970, BX980



XUD9BSD (DHV)

4 Cyl.

1905cc

55kW (75)PS

TD9867

951

306

03/98→04/02

TB560 136x25.4 HNBR	TBK020 Component No:TB175; AE1080TP;AE1081GP	CAM373 [2]	CKS2373		FOL150 (x8) [1]

[1] Mechanical

[1] Mécanique

[1] Meccanico

[1] Mecánico

[2] Camshaft driven vacuum pump

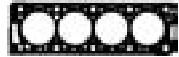
[2] Pompe à vide entraînée par l'arbre à cames

[2] Pompa vacuum azionata dall'albero a camme

[2] Bomba de vacío accionada por el árbol de levas

B x C x D	OE	MAT.	45°	H	E x F x G
V91144	0948.63		45°		VAG92288B
38.50 x 8.00 x 112.50		MB			52.00 x 8.03 x 14.28
V91145	0949.47		45°		
33.00 x 8.00 x 112.00		MD cr			

BX930 Steel Elastomer, 1.360mm, 1 Notch BX940 Steel Elastomer, 1.400mm, 2 Notches BX950 Steel Elastomer, 1.440mm, 3 Notches BX960 Steel Elastomer, 1.480mm, 4 Notches BX970 Steel Elastomer, 1.520mm, 5 Notches BX980 Steel Elastomer, 1.590mm ⊕(0.83) mm →	DJ720 ▲	GJ720 ▲	HBS084 ⊕ M12x1.50x120.00mm (x10)	JC759 (Steel) JC991	JN544	HR569	NF841 35.00x50.00x8.00mm FPM NB959 35.00x50.00x7.00mm FPM



BX930, BX940, BX950, BX960, BX970, BX980

198


83.00
Diesel

XUD9BSD (DHV)







4 Cyl.

1905cc

55kW (75)PS

TD22991
951
XSARA

01/98 → 09/00

					
TB560 136x25.4 HNBR	TBK020 Component No:TB175; AE1080TP;AE1081GP	CAM373 [2]	CKS2373		FOL150 (x8) [1]

[1] Mechanical

[1] Mécanique

[1] Meccanico

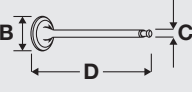



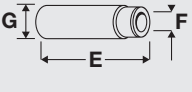





[1] Mecánico











[2] Camshaft driven vacuum pump

[2] Pompe à vide entraînée par l'arbre à cames

[2] Pompa vacuum azionata dall'albero a camme

[2] Bomba de vacío accionada por el árbol de levas

					
B x C x D	OE	MAT.		H	E x F x G
V91144 	0948.63		45°		VAG92288B 
38.50 x 8.00 x 112.50		MB			52.00 x 8.03 x 14.28
V91145 	0949.47		45°		
33.00 x 8.00 x 112.00		MD cr			

							
BX930 Steel Elastomer, 1.360mm, 1 Notch BX940 Steel Elastomer, 1.400mm, 2 Notches BX950 Steel Elastomer, 1.440mm, 3 Notches BX960 Steel Elastomer, 1.480mm, 4 Notches BX970 Steel Elastomer, 1.520mm, 5 Notches BX980 Steel Elastomer, 1.590mm <small>±(0.83) mm →</small>	DJ720 ▲	GJ720 ▲	HBS084  M12x1.50x120.00mm (x10)	JC759 (Steel) JC991	JN544	HR569 	NB959 35.00x50.00x7.00mm FPM NF841 35.00x50.00x8.00mm FPM


BX930, BX940, BX950, BX960, BX970, BX980



XUD9SD (DHW) 4 Cyl. 21.8:1 1905cc 66kW (89)PS Turbo TD9365 951

406 10/96→10/04

TB560 136x25.4 HNBR TB175 136x25.4 Polychloroprene (Neoprene)	TBK020 Component No:TB175; AE1080TP;AE1081GP	CAM373	KIT	FOL150 (x8) [1]

[1] Mechanical [1] Mécanique [1] Meccanico [1] Mecánico

V91144 ■ 38.50 x 8.00 x 112.50	V91145 ■ 33.00 x 8.00 x 112.00	V94017 ■ 33.00 x 8.00 x 111.90	VAG92288B ■ ■ 52.00 x 8.03 x 14.28	VAG92331B ■ ■ 50.00 x 8.03 x 14.08
OE: 0948.63	OE: 0949.47	OE: 0949.74	MAT: MB	MAT: MD cr
Angle: 45°	Angle: 45°	Angle: 45°	Angle: 45°	Angle: 45°

BX930 Steel Elastomer, 1.360mm, 1 Notch BX940 Steel Elastomer, 1.400mm, 2 Notches BX950 Steel Elastomer, 1.440mm, 3 Notches BX960 Steel Elastomer, 1.480mm, 4 Notches BX970 Steel Elastomer, 1.520mm, 5 Notches BX980 Steel Elastomer, 1.590mm ±(0.83) mm→	DJ720 ▲	GJ720 ▲	HBS084 ⊕ M12x1.50x120.00mm (x10)	JC759 (Steel) JC991	JN544	HR569 ■	NF841 35.00x50.00x8.00mm FPM NB959 ■ 35.00x50.00x7.00mm FPM



BX930, BX940, BX950, BX960, BX970, BX980

200

83.00

Diesel



XUD9SD (DHW) 4 Cyl. 21.8:1 1905cc **66kW (89)PS** **Turbo Intercooled** **TD10689** **951**

XANTIA 02/96 → 04/03

TB560 136x25.4 HNBR TB175 136x25.4 Polychloroprene (Neoprene)	TBK020 Component No:TB175; AE1080TP;AE1081GP	CAM373	KIT	FOL150 (x8) [1]
[1] Mechanical	[1] Mécanique	[1] Meccanico	[1] Mecánico	

V91144	V91145	V94017	VAG92288B	VAG92331B
38.50 x 8.00 x 112.50	33.00 x 8.00 x 112.00	33.00 x 8.00 x 111.90	52.00 x 8.03 x 14.28	50.00 x 8.03 x 14.08
OE: 0948.63	OE: 0949.47	OE: 0949.74		
MAT. MB	MAT. MD cr	MAT. MD cr		
45°	45°	45°		
H				

BX930 Steel Elastomer, 1.360mm, 1 Notch BX940 Steel Elastomer, 1.400mm, 2 Notches BX950 Steel Elastomer, 1.440mm, 3 Notches BX960 Steel Elastomer, 1.480mm, 4 Notches BX970 Steel Elastomer, 1.520mm, 5 Notches BX980 Steel Elastomer, 1.590mm <small>⊖(0.83) mm →</small>	DJ720 ▲	GJ720 ▲	HBS084 M12x1.50x120.00mm (x10)	JC759 (Steel) JC991	JN544	HR569	NF841 35.00x50.00x8.00mm FPM NB959 35.00x50.00x7.00mm FPM



BX930, BX940, BX950, BX960, BX970, BX980

201


83.00
Diesel


XUD9TE	4 Cyl.	21.8:1	1905cc	66kW (90)PS	Turbo Intercooled	TD18953	952
306	04/93→04/97		306 Van	02/94→04/99	405		08/92→05/97
BOXER	03/96→04/02						

TB560 136x25.4 HNBR	TBK020 Component No:TB175; AE1080TP;AE1081GP	CAM373 [2] CAM354 [7]	CKS2373 CKS2354		FOL150 (x8) [1]

[1] Mechanical	[1] Mécanique	[1] Meccanico	[1] Mecánico
[2] Camshaft driven vacuum pump	[2] Pompe à vide entraînée par l'arbre à cames	[2] Pompa vacuum azionata dall'albero a camme	[2] Bomba de vacío accionada por el árbol de levas
[7] Pulley driven vacuum pump	[7] Pompe à vide entraînée par poulie	[7] Pompa vacuum azionata dalla puleggia	[7] Bomba de vacío accionada por polea

B x C x D	E x F x G
V91144	VAG92288B
38.50 x 8.00 x 112.50	52.00 x 8.03 x 14.28
V91145	VAG92331B
33.00 x 8.00 x 112.00	50.00 x 8.03 x 14.08
V94017	
33.00 x 8.00 x 111.90	

				JD5972			NF841
				JC423			35.00x50.00x8.00mm FPM

202

83.00

Diesel



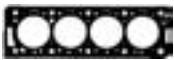
XUD9TE (D8B) 4 Cyl. 21.8:1 1905cc 66kW (89)PS Turbo Intercooled TD2751 953

EXPERT 02/96 →

TB560 136x25.4 HNBR	TBK020 Component No:TB175; AE1080TP;AE1081GP				FOL150 (x8) [1]
[1] Mechanical	[1] Mécanique	[1] Meccanico	[1] Mecánico		

B x C x D	OE	MAT.
V91144	0948.63	45° H
38.50 x 8.00 x 112.50		
V91145	0949.47	45°
33.00 x 8.00 x 112.00		
V94017	0949.74	45°
33.00 x 8.00 x 111.90		
		VAG92288B
		52.00 x 8.03 x 14.28
		VAG92331B
		50.00 x 8.03 x 14.08

BX930 Steel Elastomer, 1.360mm, 1 Notch BX940 Steel Elastomer, 1.400mm, 2 Notches BX950 Steel Elastomer, 1.440mm, 3 Notches BX960 Steel Elastomer, 1.480mm, 4 Notches BX970 Steel Elastomer, 1.520mm, 5 Notches BX980 Steel Elastomer, 1.590mm ⊕(0.83) mm →	DJ720 ▲	GJ720 ▲	HBS277 ⊕ M12x1.50x148.00mm (x10)	JC759 (Steel)	JN544	HR569 ⊕	NB959 35.00x50.00x7.00mm FPM NF841 35.00x50.00x8.00mm FPM



BX930, BX940, BX950, BX960, BX970, BX980

CITROEN/PEUGEOT

203



83.00

Diesel

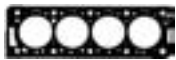


XUD9TE (DHX)	4 Cyl.	21.8:1	1905cc	66kW (89)PS	Turbo Intercooled	TD2889	953
406	01/96→10/04	806		07/95→08/02	EXPERT		02/96→

TB560 136x25.4 HNBR	TBK020 Component No:TB175; AE1080TP;AE1081GP				FOL150 (x8) [1]
[1] Mechanical	[1] Mécanique	[1] Meccanico	[1] Mecánico		

B x C x D	OE	MAT.	45°	H	E x F x G
V91144 ■	0948.63		45°	H	VAG92288B ■ ■ ■
38.50 x 8.00 x 112.50		MB			52.00 x 8.03 x 14.28
V91145 ■	0949.47		45°		VAG92331B ■ ■ ■
33.00 x 8.00 x 112.00		MD cr			50.00 x 8.03 x 14.08
V94017 ■	0949.74		45°		
33.00 x 8.00 x 111.90		MD cr			

BX930 Steel Elastomer, 1.360mm, 1 Notch	DJ720 ▲	GJ720 ▲	HBS277 ☉ M12x1.50x148.00mm (x10)	JC759 (Steel)	JN544	HR569 ■	NF841 35.00x50.00x8.00mm FPM NB959 ■ 35.00x50.00x7.00mm FPM
BX940 Steel Elastomer, 1.400mm, 2 Notches							
BX950 Steel Elastomer, 1.440mm, 3 Notches							
BX960 Steel Elastomer, 1.480mm, 4 Notches							
BX970 Steel Elastomer, 1.520mm, 5 Notches							
BX980 Steel Elastomer, 1.590mm							
☉(0.83) mm→							



BX930, BX940, BX950, BX960, BX970, BX980



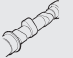



204

 **83.00**

Diesel



XUD9TE (DHY)	4 Cyl.	21.8:1	1905cc	66kW (89)PS	Turbo Intercooled	TD2888	953
306	05/93→04/02		405	08/92→10/96	406		01/96→05/04
806	05/97→08/02		BOXER	08/94→04/02			

					
TB560 136x25.4 HNBR	TBK019 →12/93 Component No:TB175; AE1021TP;AE1022GP TBK020 01/94→ Component No:TB175; AE1080TP;AE1081GP	CAM373 [2]	CKS2373		FOL150 (x8) [1]

[1] Mechanical

[1] Mécanique

[1] Meccanico

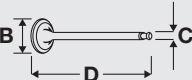







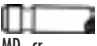



[1] Mecánico












[2] Camshaft driven vacuum pump

[2] Pompe à vide entraînée par l'arbre à cames

[2] Pompa vacuum azionata dall'albero a camme

[2] Bomba de vacío accionada por el árbol de levas

				
B x C x D	OE	MAT.		E x F x G
V91144 	0948.63		45°	VAG92288B 
38.50 x 8.00 x 112.50		MB		52.00 x 8.03 x 14.28
V91145 	0949.47		45°	VAG92331B 
33.00 x 8.00 x 112.00		MD cr		50.00 x 8.03 x 14.08
V94017 	0949.74		45°	
33.00 x 8.00 x 111.90		MD cr		

							
BX930 Steel Elastomer, 1.360mm, 1 Notch BX940 Steel Elastomer, 1.400mm, 2 Notches BX950 Steel Elastomer, 1.440mm, 3 Notches BX960 Steel Elastomer, 1.480mm, 4 Notches BX970 Steel Elastomer, 1.520mm, 5 Notches BX980 Steel Elastomer, 1.590mm <small>±(0.83) mm →</small>	DJ720 ▲	GJ720 ▲	HBS277 ⊕ M12x1.50x148.00mm (x10)	JC759 (Steel) JC991 JC423  (x2)	JN544	HR569 	NF841 35.00x50.00x8.00mm FPM NB959  35.00x50.00x7.00mm FPM



BX930, BX940, BX950, BX960, BX970, BX980



XUD9TE/Y (DHY)	4 Cyl.	21.8:1	1905cc	44/66kW (60/90)PS	Turbo Intercooled	TD4269	953
XANTIA	10/94→04/03	XSARA	04/97→09/00	ZX		07/92→10/97	

TB560 136x25.4 HNBR	TBK019 →12/93 Component No:TB175; AE1021TP;AE1022GP TBK020 01/94→ Component No:TB175; AE1080TP;AE1081GP	CAM373 [2] CAM354 [7]	CKS2373 CKS2354		FOL150 (x8) [1]

[1] Mechanical [2] Camshaft driven vacuum pump [7] Pulley driven vacuum pump [1] Mécanique [2] Pompe à vide entraînée par l'arbre à cames [7] Pompe à vide entraînée par poulie [1] Meccanico [2] Pompa vacuum azionata dall'albero a camme [7] Pompa vacuum azionata dalla puleggia [1] Mecánico [2] Bomba de vacío accionada por el árbol de levas [7] Bomba de vacío accionada por polea

B x C x D	E x F x G
V91144 ■ 38.50 x 8.00 x 112.50	VAG92288B ■ ■ ■ 52.00 x 8.03 x 14.28
V91145 ■ 33.00 x 8.00 x 112.00	VAG92331B ■ ■ ■ 50.00 x 8.03 x 14.08
V94017 ■ 33.00 x 8.00 x 111.90	

BX930 Steel Elastomer, 1.360mm, 1 Notch BX940 Steel Elastomer, 1.400mm, 2 Notches BX950 Steel Elastomer, 1.440mm, 3 Notches BX960 Steel Elastomer, 1.480mm, 4 Notches BX970 Steel Elastomer, 1.520mm, 5 Notches BX980 Steel Elastomer, 1.590mm ⊖(0.83) mm→	DJ720 ▲	GJ720 ▲	HBS277 ⊕ M12x1.50x148.00mm (x10)	JC759 (Steel) JC991 JC423 ■ (x2)	JN544	HR569 ■	NF841 35.00x50.00x8.00mm FPM NB959 ■ 35.00x50.00x7.00mm FPM



BX930, BX940, BX950, BX960, BX970, BX980

206

83.00

Diesel



XUD9TF (D8B) 4 Cyl. 21.8:1 1905cc 66kW (90)PS Turbo TD5046 953

EVASION 11/94→07/02 JUMPY 04/96→ XANTIA 06/95→04/03

TB560 136x25.4 HNBR	TBK020 Component No:TB175; AE1080TP;AE1081GP	CAM373 [2] CAM354 [7]	CKS2373 CKS2354	FOL150 (x8) [1]

[1] Mechanical [1] Mécanique [1] Meccanico [1] Mecánico
 [2] Camshaft driven vacuum pump [2] Pompe à vide entraînée par l'arbre à cames [2] Pompa vacuum azionata dall'albero a camme [2] Bomba de vacío accionada por el árbol de levas
 [7] Pulley driven vacuum pump [7] Pompe à vide entraînée par poulie [7] Pompa vacuum azionata dalla puleggia [7] Bomba de vacío accionada por polea

 B x C x D	OE	MAT.			 E x F x G
V91144	0948.63		45°	H	VAG92288B
38.50 x 8.00 x 112.50		MB			52.00 x 8.03 x 14.28
V91145	0949.47		45°		VAG92465B
33.00 x 8.00 x 112.00		MD cr			52.00 x 8.03 x 14.07
V94017	0949.74		45°		
33.00 x 8.00 x 111.90		MD cr			

BX930 Steel Elastomer, 1.360mm, 1 Notch BX940 Steel Elastomer, 1.400mm, 2 Notches BX950 Steel Elastomer, 1.440mm, 3 Notches BX960 Steel Elastomer, 1.480mm, 4 Notches BX970 Steel Elastomer, 1.520mm, 5 Notches BX980 Steel Elastomer, 1.590mm ⊖(0.83) mm→	DJ720 ▲	GJ720 ▲	HBS277 ⊕ M12x1.50x148.00mm (x10)	JC759 (Steel)	JN544	HR569 ⊖	NF841 35.00x50.00x8.00mm FPM NB959 ⊖ 35.00x50.00x7.00mm FPM



BX930, BX940, BX950, BX960, BX970, BX980



XUD9TF/BTF (DHX) 4 Cyl. 21.8:1 1905cc 66kW (90)PS Turbo Intercooled TD4268 953

EVASION 11/94→07/02 JUMPER 03/94→04/02 JUMPY 10/95→
 XANTIA 10/94→04/03

TB560 136x25.4 HNBR	TBK020 Component No:TB175; AE1080TP;AE1081GP	CAM373 [2] CAM354 [7]	CKS2373 CKS2354		FOL150 (x8) [1]

[1] Mechanical [1] Mécanique [1] Meccanico [1] Mecánico
 [2] Camshaft driven vacuum pump [2] Pompe à vide entraînée par l'arbre à cames [2] Pompa vacuum azionata dall'albero a camme [2] Bomba de vacío accionada por el árbol de levas
 [7] Pulley driven vacuum pump [7] Pompe à vide entraînée par poulie [7] Pompa vacuum azionata dalla puleggia [7] Bomba de vacío accionada por polea

	OE	MAT.			
V91144	0948.63		45°	H	VAG92288B
38.50 x 8.00 x 112.50		MB			52.00 x 8.03 x 14.28
V91145	0949.47		45°		VAG92331B
33.00 x 8.00 x 112.00		MD cr			50.00 x 8.03 x 14.08
V94017	0949.74		45°		
33.00 x 8.00 x 111.90		MD cr			

BX930 Steel Elastomer, 1.360mm, 1 Notch BX940 Steel Elastomer, 1.400mm, 2 Notches BX950 Steel Elastomer, 1.440mm, 3 Notches BX960 Steel Elastomer, 1.480mm, 4 Notches BX970 Steel Elastomer, 1.520mm, 5 Notches BX980 Steel Elastomer, 1.590mm <small>⊕(0.83) mm→</small>	DJ720 ▲	GJ720 ▲	HBS277 ⊕ M12x1.50x148.00mm (x10)	JC759 (Steel)	JN544	HR569 ⊕	NF841 35.00x50.00x8.00mm FPM NB959 ⊕ 35.00x50.00x7.00mm FPM <small>Eng.06265→</small>



BX930, BX940, BX950, BX960, BX970, BX980







208

 **83.00**

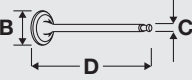

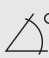







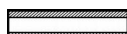


Diesel











XUD9UTF (D8C)	4 Cyl.	21.8:1	1905cc	66kW (89)PS	Turbo	TD2890	953
XUD9UTF (D8C)	4 Cyl.	21.8:1	1905cc	68kW (92)PS	Turbo	TD4264	953
BOXER	03/94→04/02		JUMPER	02/94→04/02			

					
TB560 136x25.4 HNBR	TBK020 Component No:TB175; AE1080TP;AE1081GP		KIT		FOL150 (x8) [1]

[1] Mechanical [1] Mécanique [1] Meccanico [1] Mecánico

					
B x C x D	OE	MAT.	45°	H	E x F x G
V91144 	0948.63		45°		VAG92288B 
38.50 x 8.00 x 112.50		MB			52.00 x 8.03 x 14.28
V91145 	0949.47		45°		VAG92331B 
33.00 x 8.00 x 112.00		MD cr			50.00 x 8.03 x 14.08
V94017 	0949.74		45°		
33.00 x 8.00 x 111.90		MD cr			

							
BX930 Steel Elastomer, 1.360mm, 1 Notch BX940 Steel Elastomer, 1.400mm, 2 Notches BX950 Steel Elastomer, 1.440mm, 3 Notches BX960 Steel Elastomer, 1.480mm, 4 Notches BX970 Steel Elastomer, 1.520mm, 5 Notches BX980 Steel Elastomer, 1.590mm <small>±(0.83) mm →</small>	DJ720 ▲	GJ720 ▲	HBS277 ⊕ M12x1.50x148.00mm (x10)	JC991	JN544	HR569 ⊕	NF841 35.00x50.00x8.00mm FPM NB959 ⊕ 35.00x50.00x7.00mm FPM



BX930, BX940, BX950, BX960, BX970, BX980



XUD9Y (DJZ)	4 Cyl.	23.5:1	1905cc	47kW (64)PS	TD2891	948
XUD9Y (DJZ)	4 Cyl.	23.5:1	1905cc	52kW (71)PS	TD646	948
205	10/87→09/98		306	05/93→05/01	309	07/89→12/93
405	07/88→10/96		BX	09/83→11/94	XANTIA	06/94→01/98
ZX	03/91→10/97					

TB560 136x25.4 HNBR	TBK019 →12/93 Component No:TB175; AE1021TP;AE1022GP TBK020 01/94→ Component No:TB175; AE1080TP;AE1081GP	CAM373 [2] CAM354 [7]	CKS2373 CKS2354		FOL150 (x8) [1]

[1] Mechanical [1] Mécanique [1] Meccanico [1] Mecánico
 [2] Camshaft driven vacuum pump [2] Pompe à vide entraînée par l'arbre à cames [2] Pompa vacuum azionata dall'albero a camme [2] Bomba de vacío accionada por el árbol de levas
 [7] Pulley driven vacuum pump [7] Pompe à vide entraînée par poulie [7] Pompa vacuum azionata dalla puleggia [7] Bomba de vacío accionada por polea

B x C x D	E x F x G
V91143	VAG92331B
38.00 x 8.00 x 112.40 →01/86	50.00 x 8.03 x 14.08 →01/86
V91144	VAG92288B
38.50 x 8.00 x 112.50 01/86→	52.00 x 8.03 x 14.28 01/86→
V91145	VAG96160B
33.00 x 8.00 x 112.00	48.00 x 8.02 x 14.09
V94024	
33.00 x 8.00 x 112.00	

BX880 Fibre Composite, 1.360mm, 1 Notch ☞(0.56)→(0.67) mm	DJ720 ▲	GJ720 ▲	HBS084 ☞ M12x1.50x120.00mm (x10)	JD5972 JC759 (Steel) JC991 JC423	JN544	HR569	NF841 35.00x50.00x8.00mm FPM
BX890 Fibre Composite, 1.400mm, 2 Notches ☞(0.68)→(0.71) mm							
BX900 Fibre Composite, 1.440mm, 3 Notches ☞(0.72)→(0.75) mm							
BX910 Fibre Composite, 1.480mm, 4 Notches ☞(0.76)→(0.79) mm							
BX920 Fibre Composite, 1.520mm, 5 Notches ☞(0.8)→(0.83) mm							



BX880, BX890, BX900, BX910, BX920

210	84.00	Petrol				
XC5P 3rd Series	4 Cyl.	7.6:1	1618cc	50kW (68)PS	TD8495	954
J7	08/68 → 03/80					

B x C x D	OE	MAT.				E x F x G
V34459	0948.33		30°		H	VAG51007
42.50 x 8.00 x 118.30		MB				55.00 x 8.00 x 14.06
V34460	0949.21		45°			
35.50 x 8.00 x 112.00		MD				

BF250 Fibre Composite, 1.350mm	DF230				JB841	JN244	
BF230 Fibre Composite, 1.600mm					JE646		LT634

BF230	BF250		
[11] Without gaskets/seals	[11] Sans joints	[11] Senza guarnizioni	[11] Sin juntas

211	84.00	Petrol				
XC6	4 Cyl.	8.35:1	1618cc	50-54kW (68-74)PS	TD2793	955
404	11/67 → 12/71					

B x C x D	OE	MAT.				E x F x G
V34459	0948.33		30°		H	VAG51007
42.50 x 8.00 x 118.30		MB				55.00 x 8.00 x 14.06
V34460	0949.21		45°			
35.50 x 8.00 x 112.00		MD				

BF250 Fibre Composite, 1.350mm							
BF230 Fibre Composite, 1.600mm							

BF230	BF250

CITROEN/PEUGEOT

212



84.00

Petrol



XC7P 4 Cyl. 7.6:1 1618cc 46kW (63)PS **TD8496 957**

504 01/80→06/87 **J7** 08/68→03/80 **J9** 03/80→06/87

 B x C x D				 E x F x G		
OE	MAT.	Angle	Part	Part	Part	
V34459 ■	0948.33	30°	H	VAG51007 ■ ■	55.00 x 8.00 x 14.06	
42.50 x 8.00 x 118.30						
V34460 ■	0949.21	45°				
35.50 x 8.00 x 112.00						

DM710 ○ [10]	GM710 ○ [15]	JB841 ■	JN244	HR569 ■			
[10] With gaskets/seals	[10] Avec joints	[10] Con guarnizioni	[10] Con juntas	[10] Con juntas			
[15] Without gaskets/seals; With cylinder sleeve ring	[15] Sans joints; avec deux bagues de chemises de cylindre	[15] Senza guarnizioni; con anello tenuta canna cilindro	[15] Sin juntas; con segmentos para camisa	[15] Sin juntas; con segmentos para camisa			

213



84.00

Petrol



KF5 4 Cyl. 8.35:1 1796cc 71kW (96)PS **TD2883 958**

504 07/68→02/71

 B x C x D				 E x F x G		
OE	MAT.	Angle	Part	Part	Part	
V34459 ■	0948.33	30°	H	VAG51007 ■ ■	55.00 x 8.00 x 14.06	
42.50 x 8.00 x 118.30						
V34460 ■	0949.21	45°				
35.50 x 8.00 x 112.00						

BF250 Fibre Composite, 1.350mm							



BF250

214	84.00	Petrol				
KF6	4 Cyl.	8.35:1	1796cc	71kW (96)PS	TD2755	959
XM	4 Cyl.	8.35:1	1796cc	60kW (81)PS	TD2824	959
504	07/68 → 02/71					

B x C x D	E x F x G
OE	
MAT.	
V34459	VAG51007
42.50 x 8.00 x 118.30	55.00 x 8.00 x 14.06
V34460	
35.50 x 8.00 x 112.00	

BF250 Fibre Composite, 1.350mm				JB841	JN244	HR569	



BF250

215	84.00	Petrol					
XM7	4 Cyl.		1796cc	53-58kW (72-79)PS	TD2825	960	
XM7 (105)	4 Cyl.	8.8:1	1796cc	55-60kW (75-82)PS	TD2826	961	
XM7A (105C)	4 Cyl.	8.8:1	1796cc	62-66kW (90-90)PS	TD2827	962	
XM7P	4 Cyl.	7.5:1	1796cc	48-50kW (65-68)PS	TD8497	963	
504	01/71 → 12/89		505	06/81 → 10/86		J7	07/70 → 03/80

B x C x D	E x F x G
OE	
MAT.	
V34459	VAG51007
42.50 x 8.00 x 118.30	55.00 x 8.00 x 14.06
V34460	
35.50 x 8.00 x 112.00	

216	84.00	Petrol				
XM7T (169)	4 Cyl.	7.5:1	1796cc	51kW (69)PS	TD588	964
C25	11/81 → 02/94					

B x C x D	E x F x G
OE	
MAT.	
V34459	VAG51007
42.50 x 8.00 x 118.30	55.00 x 8.00 x 14.06
V34460	
35.50 x 8.00 x 112.00	

	DM533 [10]		HBS038 M11x1.50x175.00mm (x10) 04/89 →	JB841	JN244	HR569	

[10] With gaskets/seals [10] Avec joints [10] Con guarnizioni [10] Con juntas

CITROEN/PEUGEOT

217


84.00
Petrol

XM7T (169B)

4 Cyl.

7.5:1

1796cc

51kW (69)PS

TD6793
964
J5

01/83→01/94

<p>B x C x D</p>	OE MAT.			<p>E x F x G</p>
V34459 42.50 x 8.00 x 118.30	0948.33	30°	H	VAG51007 55.00 x 8.00 x 14.06
V34460 35.50 x 8.00 x 112.00	0949.21	45°		

	DM533 [10]		HBS038 M11x1.50x175.00mm (x10) 05/89→	JB841	JN244	HR569	
[10] With gaskets/seals	[10] Avec joints	[10] Con guarnizioni	[10] Con juntas				

218


84.00
Diesel

DT20C (X8C) Euro 5

V6 Cyl.

17:1

2993cc

177kW (241)PS

Bi-Turbo Intercooled
TD24869
DT20C Euro 5

V6 Cyl.

17:1

2993cc

177kW (241)PS

Bi-Turbo Intercooled
TD23526
966
DT20C Euro 5

V6 Cyl.

17:1

2993cc

177kW (241)PS

Bi-Turbo Intercooled
TD23527
966
407

06/09→

C5

04/09→

C6

04/09→

				JD5999		HR5111	NA5318 26.0x45.0x8.0mm, FPM

219


85.00
Diesel

XDP85

4 Cyl.

21:1

1816cc

35-44kW (48-60)PS

TD8498
967

<p>B x C x D</p>	OE MAT.			<p>E x F x G</p>
				VAG92179 55.50 x 8.53 x 14.06

BF220 Fibre Composite, 1.200mm	DF220 [11]	GF220 [10]		JB842 (x2)			


BF220

[10] With gaskets/seals

[10] Avec joints

[10] Con guarnizioni





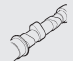












[10] Con juntas



[11] Without gaskets/seals

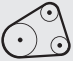

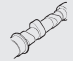



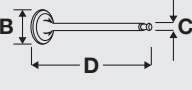

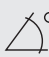




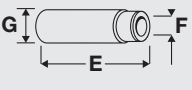
[11] Sans joints














[11] Senza guarnizioni

[11] Sin juntas

220	 85.00	Petrol					
EW10A (RFH) Euro 4	4 Cyl.	11:1	1997cc	103kW (140)PS	TD23210 969		
EW10A (RFH) Euro 4	4 Cyl.	11:1	1997cc	103kW (140)PS	TD24145 969		
EXPERT	01/07→	EXPERT Tepee		01/07→	JUMPY 01/07→		
 	 						
TB744 153x25							
							
AH6630 MLS 01/01→			HBS535 			NF817 36.00x50.00x7.00mm FPM	

221	 85.00	Petrol			
EW10A (RFJ)	4 Cyl.	11:1	1997cc	103kW (140)PS	TD19823 970
EW10A (RFJ) Euro 4	4 Cyl.	11:1	1997cc	103kW (140)PS	TD18690 971
307	03/05→	308 SW		01/08→	407 09/05→
807	09/05→	C4		11/04→	C4 Grand Picasso 10/06→
C4 Picasso	02/07→	C5		09/04→	C8 09/05→
EXPERT	01/07→	EXPERT Tepee		01/07→	

 	 				
TB744 153x25					
					
V94200  33.30 x 6.00 x 106.20	OE 0948.99	MAT. MB	45°		H
V94201  29.00 x 6.00 x 103.60	0949.99	MG cr	45°	ss	H
					
				Ex F x G	

							
AD5300 MLS AH6630 MLS 01/01→			HBS259  M11x1.50x144.50mm (x10) HBS535 	JD5971 	JM5139  JM5283 	NF817 36.00x50.00x7.00mm FPM	



AD5300

CITROEN/PEUGEOT

222



85.00

Petrol



EW10D (RLZ)	4 Cyl.	11.4:1	1997cc	103kW (140)PS	TD16233	968
EW10D (RLZ)	4 Cyl.	11.4:1	1997cc	103kW (140)PS	TD16234	968
406	05/01→10/04	C5		03/01→08/04		

TB702 143x25.4					FOL154 (x16)

B x C x D	E x F x G
OE	
MAT.	
V94494	45° Y H
32.40 x 6.00 x 105.00	
V94495	45° ss H
29.20 x 6.00 x 102.60	
MG cr	

AD5300 MLS	CD5300		HBS259				NF817
			M11x1.50x144.50mm (x10)				36.00x50.00x7.00mm FPM



AD5300

223	85.00	Petrol				
EW10J4 (RFN)	4 Cyl.	10.8:1	1997cc	100kW (136)PS	TD15188	973
EW10J4 (RFN)	4 Cyl.	10.8:1	1997cc	100kW (136)PS	TD15309	973
206	09/00→	307	08/00→	406	08/00→12/04	
407	05/04→	607	02/00→	806	09/00→08/02	
807	06/02→	C4	11/04→	C5	03/01→08/04	
C8	07/02→	EVASION	05/00→07/02	EXPERT	07/00→	
JUMPY	04/00→12/06	XSARA	09/00→08/05	XSARA PICASSO	01/03→	

TB683 153x25.4	TBK279 Component No:TB683; AE1154GP;AE1153TP				

B x C x D	OE	MAT.	45°	H	E x F x G
V94200 ■ 33.30 x 6.00 x 106.20	0948.99		45°	H	
V94201 ■ 29.00 x 6.00 x 103.60	0949.99		45° ss	H	

AD5300 MLS	CD5300		HBS259 ⊕ M11x1.50x144.50mm (x10)		JM5139 ■ JM5283 ■		NF817 36.00x50.00x7.00mm FPM



AD5300

224	85.00	Petrol			
EW10J4 (RFR)	4 Cyl.	1997cc	99kW (135)PS	TD12568	968
206	04/99→10/00	406	01/99→10/00		

TB279 110x19					
TB683 153x25.4					

B x C x D	OE	MAT.	45°	H	E x F x G
V94200 ■ 33.30 x 6.00 x 106.20	0948.99		45°	H	
V94201 ■ 29.00 x 6.00 x 103.60	0949.99		45° ss	H	

	CD5300		HBS259 ⊕ M11x1.50x144.50mm (x10)		JM5139 ■ JM5283 ■		NF817 36.00x50.00x7.00mm FPM

CITROEN/PEUGEOT

225



85.00

Petrol



EW10J4S (RFK)	4 Cyl.	11:1	1997cc	130kW (177)PS	TD17846	968
EW10J4S (RFK)	4 Cyl.	11:1	1997cc	130kW (177)PS	TD19910	972

206	07/03→	307	10/03→	C4	11/04→
-----	--------	-----	--------	----	--------

TB744 153x25	TBK304 Component No:TB744; AE1154GP;AE1153TP		KIT		

B x C x D	OE	MAT.	45°	H	E x F x G
V94200 ■ 33.30 x 6.00 x 106.20	0948.99		45°	H	
V94201 ■ 29.00 x 6.00 x 103.60	0949.99		45° ss	H	

AD5300 MLS	CD5300	HBS259 ☉ M11x1.50x144.50mm (x10) HBS535 ☉	JD5971 ■	JM5139 ■ JM5283 ■		NF817 36.00x50.00x7.00mm FPM



AD5300







226

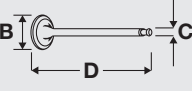


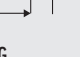
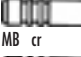
 **85.00**














Diesel



DW10ATED (RHS)	4 Cyl.	17.6:1	1997cc	81kW (110)PS	Turbo Intercooled	TD20417	974
DW10ATED (RHS)	4 Cyl.	17.6:1	1997cc	79kW (107)PS	Turbo Intercooled	TD20782	975
307	08/00→		406	08/01→10/04	607		03/01→07/04
C5	03/01→08/04						

					
TB632 141x25.4	TBK274 Component No:TB632; AE1090GP;AE1091GP	CAM679	KIT	FOL163 (x8)	FOL154 (x8)

	
B x C x D	E x F x G
V94178 	VAG96119 
35.60 x 6.00 x 107.10	41.50 x 6.03 x 10.54
V94179 	
33.80 x 6.00 x 107.10	

						
AC5011 MLS, 1.300mm, 1 Hole ☞(0.47)→(0.605) mm	CC5010 ▲ [10] →Eng.8331	HBS261 ☉ M12x1.50x126.00mm (x10)	JD5191 	JM5141 (Elastomer)	HR5046 	NA5035 27.00x47.00x7.00mm FPM
AC5020 MLS, 1.350mm, 2 Holes ☞(0.605)→(0.655) mm	CC5011 ▲ Eng.8332→					
AC5031 MLS, 1.400mm, 3 Holes ☞(0.655)→(0.705) mm						
AC5040 MLS, 1.450mm, 4 Holes ☞(0.705)→(0.755) mm						
AC5051 MLS, 1.500mm, 5 Holes ☞(0.755)→(0.83) mm						
						
AC5011 [10] With gaskets/seals	AC5020, AC5040 [10] Avec joints	AC5031 [10] Con guarnizioni	AC5051 [10] Con juntas			

CITROEN/PEUGEOT

227



85.00

Diesel



DW10ATED (RHZ)	4 Cyl.	18:1	1997cc	80kW (109)PS	Turbo Intercooled	TD10727	976
DW10ATED (RHZ)	4 Cyl.	18:1	1997cc	80kW (109)PS	Turbo Intercooled	TD12829	976

406	06/98→10/04	607	05/00→	806	08/99→08/02
C5	03/01→08/04	EVASION	08/99→07/02	EXPERT	07/00→
JUMPY	03/00→	XANTIA	02/99→04/03	XSARA	05/01→08/05
XSARA PICASSO	12/99→				

TB632 141x25.4	TBK106 →09/00 Component No:TB632; AE1165TP;AE1166GP TBK274 10/00→ Component No:TB632; AE1090GP;AE1091GP	CAM679		FOL163 (x8)	FOL154 (x8)

V94178 ■ 35.60 x 6.00 x 107.10	V94179 ■ 33.80 x 6.00 x 107.10	VAG96119 ■ ■ 41.50 x 6.03 x 10.54
OE: 0948.95	OE: 0949.96	
MAT. MB cr	MAT. MG cr	
45°	45°	
H	H	

AC5011 MLS, 1.300mm, 1 Hole ☞(0.47)→(0.605) mm	CC5010 ▲ [10] →Eng.8331	HBS261 ☉ M12x1.50x126.00mm (x10)	JD5191 ■ JD5190 ■	JM5087 (Elastomer)	HR5046 ■	NA5035 27.00x47.00x7.00mm FPM
AC5020 MLS, 1.350mm, 2 Holes ☞(0.605)→(0.655) mm	CC5011 ▲ Eng.8332→					
AC5031 MLS, 1.400mm, 3 Holes ☞(0.655)→(0.705) mm						
AC5040 MLS, 1.450mm, 4 Holes ☞(0.705)→(0.755) mm						
AC5051 MLS, 1.500mm, 5 Holes ☞(0.755)→(0.83) mm						



AC5011 [10] With gaskets/seals
AC5020, AC5040 [10] Avec joints
AC5031 [10] Con guarnizioni
AC5051 [10] Con juntas

228



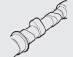





 **85.00**

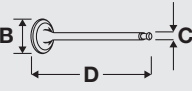




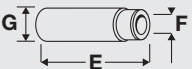


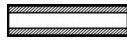




Diesel









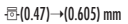






DW10ATED4 (RHM)	4 Cyl.	17.6:1	1997cc	79kW (107)PS	Turbo Intercooled	TD20786	977
DW10ATED4 (RHM)	4 Cyl.	17.6:1	1997cc	79kW (107)PS	Turbo Intercooled	TD20790	977

807 06/02→ **C8** 07/02→

					
TB720 144x25.4		CAM748  CAM749 			

						
B x C x D	OE	MAT.				E x F x G
V94438  29.90 x 6.00 x 106.20		 MB cr	45°		H	VAG96119  41.50 x 6.03 x 10.54
V94486  29.90 x 6.00 x 106.20	0948.C0	 MB cr	45°	Y	H	
V94487  25.00 x 6.00 x 106.10	0949.A9	 MG cr	45°	ss	H	

							
AC5011 MLS, 1.300mm, 1 Hole  ☞(0.47)→(0.605) mm	CC5010 ▲ [10] CC5011 ▲		HBS261  M12x1.50x126.00mm (x10)	JD5191  JD5190 	JM5087 (Elastomer) JM5141 (Elastomer)	HR5046 	NA5035 27.00x47.00x7.00mm FPM

			
AC5011 [10] With gaskets/seals	AC5020, AC5040 [10] Avec joints	AC5031 [10] Con guarnizioni	AC5051 [10] Con juntas

CITROEN/PEUGEOT

229



85.00

Diesel



DW10ATED4 (RHT)	4 Cyl.	17.3:1	1997cc	79kW (107)PS	Turbo Intercooled	TD20785	978
DW10ATED4 (RHT)	4 Cyl.	17.6:1	1997cc	79kW (107)PS	Turbo Intercooled	TD20789	978
807	06/02→	C8		07/02→			

TB720 144x25.4		CAM750 ■ CAM751 ■			FOL115 (x16)

B x C x D	OE	MAT.	45°	H	E x F x G
V94438 ■ 29.90 x 6.00 x 106.20		MB cr	45°	H	VAG96119 ■ ■ ■ 41.50 x 6.03 x 10.54
V94486 ■ 29.90 x 6.00 x 106.20	0948.C0	MB cr	45°	Y	
V94487 ■ 25.00 x 6.00 x 106.10	0949.A9	MG cr	45°	ss	

AC5011 MLS, 1.300mm, 1 Hole ⊖(0.47)→(0.605) mm	CC5010 ▲ [10] CC5011 ▲		HBS261 ⊕ M12x1.50x126.00mm (x10)	JD5191 ■ JD5190 ■	JM5087 (Elastomer) JM5141 (Elastomer)	HR5046 ■	NA5035 27.00x47.00x7.00mm FPM
AC5020 MLS, 1.350mm, 2 Holes ⊖(0.605)→(0.655) mm							
AC5031 MLS, 1.400mm, 3 Holes ⊖(0.655)→(0.705) mm							
AC5040 MLS, 1.450mm, 4 Holes ⊖(0.705)→(0.755) mm							
AC5051 MLS, 1.500mm, 5 Holes ⊖(0.755)→(0.83) mm							









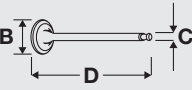
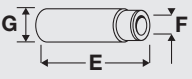



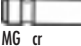
AC5011 [10] With gaskets/seals
AC5020, AC5040 [10] Avec joints
AC5031 [10] Con guarnizioni
AC5051 [10] Con juntas









230


85.00
Diesel


DW10ATED4 (RHW)	4 Cyl.	17.6:1	1997cc	80kW (109)PS	Turbo Intercooled	TD17510	977
DW10ATED4 (RHW)	4 Cyl.	17.6:1	1997cc	80kW (109)PS	Turbo Intercooled	TD20784	977
806	08/99→08/02		807	06/02→	C8	07/02→	
EVASION	09/99→07/02		EXPERT	07/00→	JUMPY	03/00→	

					
TB720		CAM748 ■			FOL115 (x16)
144x25.4		CAM749 ■			

			
B x C x D	OE	MAT.	Ex F x G
V94438 ■			
29.90 x 6.00 x 106.20		MB cr	45° H
V94486 ■	0948.C0		45° Y H
29.90 x 6.00 x 106.20		MB cr	
V94487 ■	0949.A9		45° ss H
25.00 x 6.00 x 106.10		MG cr	
			VAG96119 ■ ■
			41.50 x 6.03 x 10.54

							
AC5011 MLS, 1.300mm, 1 Hole ☞(0.47)→(0.605) mm	CC5010 ▲ [10] CC5011 ▲		HBS261 ☉ M12x1.50x126.00mm (x10)	JD5191 ■ JD5190 ■	JM5087 (Elastomer) JM5141 (Elastomer)	HR5046 ■	NA5035 27.00x47.00x7.00mm FPM
AC5020 MLS, 1.350mm, 2 Holes ☞(0.605)→(0.655) mm							
AC5031 MLS, 1.400mm, 3 Holes ☞(0.655)→(0.705) mm							
AC5040 MLS, 1.450mm, 4 Holes ☞(0.705)→(0.755) mm							
AC5051 MLS, 1.500mm, 5 Holes ☞(0.755)→(0.83) mm							



AC5011
[10] With gaskets/seals



AC5020, AC5040
[10] Avec joints



AC5031
[10] Con guarnizioni



AC5051
[10] Con juntas

CITROEN/PEUGEOT

231



85.00

Diesel



DW10BTED (RHX)	4 Cyl.	17.6:1	1997cc	69kW (93)PS	Turbo Intercooled	TD17515	976
DW10BTED (RHX)	4 Cyl.	17.6:1	1997cc	69kW (94)PS	Turbo Intercooled	TD21039	979
EXPERT	07/00→	JUMPY		10/99→			

TB632 141x25.4	TBK106 →11/03 Component No:TB632; AE1165TP;AE1166GP TBK274 11/03→ Component No:TB632; AE1090GP;AE1091GP				

V94178 ■ 35.60 x 6.00 x 107.10	V94179 ■ 33.80 x 6.00 x 107.10	VAG96119 ■ ■ ■ 41.50 x 6.03 x 10.54
OE: 0948.95	OE: 0949.96	
MAT. MB cr	MAT. MG cr	
45°	45°	
H	H	

AC5011 MLS, 1.300mm, 1 Hole ⊖(0.47)→⊖(0.605) mm	CC5010 ▲ [10]	HBS261 ⊖ M12x1.50x126.00mm (x10)	JD5191 ■ JD5190 ■	JM5087 (Elastomer)	HR5046 ■	NA5035 27.00x47.00x7.00mm FPM
AC5020 MLS, 1.350mm, 2 Holes ⊖(0.605)→⊖(0.655) mm						
AC5031 MLS, 1.400mm, 3 Holes ⊖(0.655)→⊖(0.705) mm						
AC5040 MLS, 1.450mm, 4 Holes ⊖(0.705)→⊖(0.755) mm						
AC5051 MLS, 1.500mm, 5 Holes ⊖(0.755)→⊖(0.83) mm						



AC5011 [10] With gaskets/seals	AC5020, AC5040 [10] Avec joints	AC5031 [10] Con guarnizioni	AC5051 [10] Con juntas
--	---	---------------------------------------	----------------------------------

232



85.00

Diesel



DW10BTED4 (RHF)	4 Cyl.	17.6:1	1997cc	100-103kW (136-140)PS	TD26795	980
C4	07/08→	C5		02/08→		

TB742 116x25	TBK338 Component No:TB742; AE1181GP;AE1177TP				

233







 **85.00**

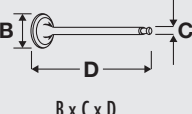

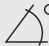


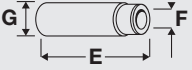
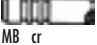
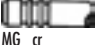

Diesel











DW10BTEd4 (RHJ) Euro 4 4 Cyl. 18:1 1997cc 100kW (136)PS Turbo Intercooled TD19825 981

C4 Grand Picasso 10/06 → C4 Picasso 02/07 →

					
TB742 116x25	TBK338 Component No:TB742; AE1181GP;AE1177TP				

	OE					
V94490 ■ 29.80 x 6.00 x 105.00	0948.A3	 MB cr	45°	Y	H	VAG96119 ■ ■ ■ 41.50 x 6.03 x 10.54
V94491 ■ 25.00 x 6.00 x 105.00	0949.A3	 MG cr	45°	ss	H	

							
AD5490 MLS, 1.250mm, 2 Notches AD5500 MLS, 1.300mm, 3 Holes AD5510 MLS, 1.350mm, 4 Holes AD5520 MLS, 1.400mm, 5 Holes			HBS261 Ⓢ M12x1.50x126.00mm (x10)				NA5035 27.00x47.00x7.00mm FPM



AD5490, AD5500, AD5510, AD5520

CITROEN/PEUGEOT

234



85.00

Diesel



DW10BTE4 (RHR)	4 Cyl.	17.6:1	1997cc	100kW (136)PS	Turbo Intercooled	TD17507	982
DW10BTE4 (RHR) Euro 4	4 Cyl.	18:1	1997cc	100kW (136)PS	Turbo Intercooled	TD19912	983
307	10/03→	308	09/07→	308 CC	04/09→		
308 SW	09/07→	407	05/04→	508	11/10→		
508 SW	11/10→	607	09/05→	807	06/06→		
C4	11/04→	C4 Grand Picasso	10/06→	C4 Picasso	02/07→		
C5	09/04→	C8	03/06→	EXPERT	01/07→		
EXPERT Tepee	01/07→	JUMPY	01/07→				

TB742 116x25	TBK338 Component No:TB742; AE1181GP;AE1177P	CAM679		FOL163 (x8)	FOL154 (x8)

B x C x D	OE	MAT.	45°	Y	H
V94490 ■ 29.80 x 6.00 x 105.00	0948.A3		45°	Y	H
V94491 ■ 25.00 x 6.00 x 105.00	0949.A3		45°	ss	H
					VAG96119 ■ ■ ■ 41.50 x 6.03 x 10.54

AD5490 MLS, 1.250mm, 2 Notches	CD5500 ▲		HBS261 ⊕ M12x1.50x126.00mm (x10)	JD5881 ■	JM5141 (Elastomer) HM5289 ■	HR5046 ■ (x2)	NA5035 27.00x47.00x7.00mm FPM
AD5500 MLS, 1.300mm, 3 Holes							
AD5510 MLS, 1.350mm, 4 Holes							
AD5520 MLS, 1.400mm, 5 Holes							



AD5490, AD5500, AD5510, AD5520

235



85.00

Diesel



DW10CTED4 (RHE)	4 Cyl.	16:1	1997cc	120kW (163)PS	Turbo Intercooled	TD24935	985
DW10CTED4 (RHE) Euro 5	4 Cyl.	16:1	1997cc	110kW (150)PS	Turbo Intercooled	TD25633	985
DW10CTED4 (RHH) Euro 5	4 Cyl.	16:1	1997cc	120kW (163)PS	Turbo Intercooled	TD23536	985
DW10CTED4 (RHH) Euro 5	4 Cyl.	16:1	1997cc	120kW (163)PS	Turbo Intercooled	TD23770	985
DW12C (4HL)	4 Cyl.		2179cc	150kW (204)PS		TD26899	996
DW12C (4HL) Euro 5	4 Cyl.		2179cc	147-150kW (200-204)PS	Turbo Intercooled	TD24921	996

308	10/11→	308 CC	06/09→	308 SW	06/09→		
407	06/09→	508	11/10→	508 SW	11/10→		
807	06/09→	3008	06/09→	5008	06/09→		
C4 Grand Picasso	09/10→	C4 Picasso	09/10→	C5	04/09→		
C8	03/06→	DS4	04/11→	DS5	11/11→		
EXPERT	09/09→	EXPERT Tepee	09/09→	JUMPY	07/10→		
RCZ	03/10→						

							NA5035 27.00x47.00x7.00mm FPM

236



85.00

Diesel



DW10TD (RHV)	4 Cyl.	18:1	1997cc	62kW (84)PS	Turbo Intercooled	TD24877	975
DW10TD (RHV)	4 Cyl.	18:1	1997cc	62kW (84)PS	Turbo Intercooled	TD24911	975

BOXER	04/02→	JUMPER	04/02→
-------	--------	--------	--------

TB632 141x25.4	TBK106 Component No:TB632; AE1165TP;AE1166GP				

B x C x D	E x F x G
OE	
MAT.	
V94178 ■	VAG96119 ■ ■
0948.95	41.50 x 6.03 x 10.54
35.60 x 6.00 x 107.10	
V94179 ■	
0949.96	
33.80 x 6.00 x 107.10	
MB cr	
MG cr	
45°	
45°	
H	
H	

							NA5035 27.00x47.00x7.00mm FPM



DW10TD (RHY)	4 Cyl.	18:1	1997cc	63kW (86)PS	Turbo Intercooled	TD12569	974
206	12/99→		306	06/99→04/02	307	08/00→	
406	02/99→10/04		PARTNER	02/00→			

TB632 141x25.4	TBK106 →09/00 Component No:TB632; AE1165TP;AE1166GP TBK274 10/00→ Component No:TB632; AE1090GP;AE1091GP	CAM679	KIT	FOL163 (x8)	FOL154 (x8)

B x C x D	OE	MAT.
V94178 ■ 35.60 x 6.00 x 107.10	0948.95	 45° H
V94179 ■ 33.80 x 6.00 x 107.10	0949.96	 45° H
		VAG96119 ■ ■ ■ 41.50 x 6.03 x 10.54

AC5011 MLS, 1.300mm, 1 Hole ⊖(0.47)→(0.605) mm	CC5010 ▲ [10]	HBS261 ⊕ M12x1.50x126.00mm (x10)	JD5191 ■ JD5190 ■	JM5087 (Elastomer)	HR5046 ■	NA5035 27.00x47.00x7.00mm FPM
AC5020 MLS, 1.350mm, 2 Holes ⊖(0.605)→(0.655) mm						
AC5031 MLS, 1.400mm, 3 Holes ⊖(0.655)→(0.705) mm						
AC5040 MLS, 1.450mm, 4 Holes ⊖(0.705)→(0.755) mm						
AC5051 MLS, 1.500mm, 5 Holes ⊖(0.755)→(0.83) mm						



AC5011
[10] With gaskets/seals



AC5020, AC5040
[10] Avec joints



AC5031
[10] Con guarnizioni



AC5051
[10] Con juntas



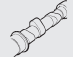



238

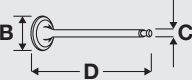




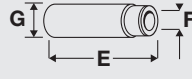
 **85.00**














Diesel



DW10TD (RHY)	4 Cyl.	18:1	1997cc	63kW (86)PS	Turbo Intercooled	TD15311	974
BERLINGO	12/99→		C5	03/01→08/04	XANTIA	03/99→04/03	
XSARA	02/99→08/05		XSARA PICASSO	12/99→			

					
TB632 141x25.4	TBK106 →09/00 Component No:TB632; AE1165TP;AE1166GP TBK274 10/00→ Component No:TB632; AE1090GP;AE1091GP	CAM679	KIT	FOL163 (x8)	FOL154 (x8)

					
V94178 ■ 35.60 x 6.00 x 107.10	V94179 ■ 33.80 x 6.00 x 107.10	MAT. MB cr MG cr	45°	H	VAG96119 ■ ■ ■ 41.50 x 6.03 x 10.54
OE: 0948.95	OE: 0949.96				

							
BL650 Fibre Composite, 1.200mm	CC5010 ▲ [10]	AC5011 MLS, 1.300mm, 1 Hole ⊖(0.47)→(0.605) mm	HBS261 ⊕ M12x1.50x126.00mm (x10)	JD5191 ■ JD5190 ■	JM5087 (Elastomer)	HR5046 ■	NA5035 27.00x47.00x7.00mm FPM
AC5020 MLS, 1.350mm, 2 Holes ⊖(0.605)→(0.655) mm		AC5031 MLS, 1.400mm, 3 Holes ⊖(0.655)→(0.705) mm					
AC5040 MLS, 1.450mm, 4 Holes ⊖(0.705)→(0.755) mm		AC5051 MLS, 1.500mm, 5 Holes ⊖(0.755)→(0.83) mm					
							
AC5011 [10] With gaskets/seals	AC5020, AC5040 [10] Avec joints	AC5031 [10] Con guarnizioni	AC5051 [10] Con juntas	BL650			



DW10UTD (RHV)	4 Cyl.	17.3:1	1997cc	62kW (84)PS	Turbo Intercooled	TD16739	974
DW10UTD (RHV)	4 Cyl.	18:1	1997cc	62kW (84)PS	Turbo Intercooled	TD17512	974

BOXER	08/01 →	JUMPER	11/01 →
-------	---------	--------	---------

TB632 141x25.4	TBK106 Component No:TB632; AE1165TP;AE1166GP				

V94178 ■ 35.60 x 6.00 x 107.10	V94179 ■ 33.80 x 6.00 x 107.10	VAG96119 ■ ■ ■ 41.50 x 6.03 x 10.54
OE: 0948.95	OE: 0949.96	
MAT. MB cr	MAT. MG cr	
45°	45°	
H	H	

AC5011 MLS, 1.300mm, 1 Hole ☞(0.47)→(0.605) mm	CC5010 ▲ [10]	HBS261 ☉ M12x1.50x126.00mm (x10)	JD5191 ■ JD5190 ■	JM5087 (Elastomer)	HR5046 ■	NA5035 27.00x47.00x7.00mm FPM
AC5020 MLS, 1.350mm, 2 Holes ☞(0.605)→(0.655) mm						
AC5031 MLS, 1.400mm, 3 Holes ☞(0.655)→(0.705) mm						
AC5040 MLS, 1.450mm, 4 Holes ☞(0.705)→(0.755) mm						
AC5051 MLS, 1.500mm, 5 Holes ☞(0.755)→(0.83) mm						

AC5011 [10] With gaskets/seals	AC5020, AC5040 [10] Avec joints	AC5031 [10] Con guarnizioni	AC5051 [10] Con juntas

240



85.00

Diesel



DW10UTED4 (RHK)	4 Cyl.	17.5:1	1997cc	79kW (107)PS	Turbo Intercooled	TD20787	987
DW10UTED4 (RHK) Euro 4	4 Cyl.	17.5:1	1997cc	85-88kW (116-120)PS	Turbo Intercooled	TD19814	987
807	02/06→		C8	02/07→	EXPERT		01/07→
EXPERT Tepee	01/07→		JUMPY	01/07→			

TB742 116x25	TBK338 Component No:TB742; AE1181GP;AE1177TP	CAM748 ■ CAM749 ■		FOL115 (x16)

V94486 ■ 29.90 x 6.00 x 106.20	V94487 ■ 25.00 x 6.00 x 106.10	MAT. MB cr MG cr	45°	Y	H	E x F x G
OE	0948.C0					
	0949.A9		45°	ss	H	

AD5490 MLS, 1.250mm, 2 Notches AD5500 MLS, 1.300mm, 3 Holes AD5510 MLS, 1.350mm, 4 Holes AD5520 MLS, 1.400mm, 5 Holes	CD5500 ▲	HBS261 ⊕ M12x1.50x126.00mm (x10)	JD5881 ■	HM5289 ■	HR5046 ■ (x2)	NA5035 27.00x47.00x7.00mm FPM



AD5490, AD5500, AD5510, AD5520

241

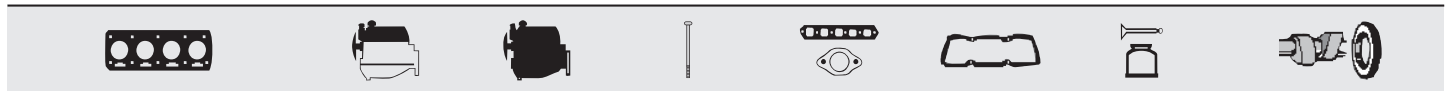

85.00
Diesel


XUD11ATE (P8A)	4 Cyl.	21.5:1	2088cc	80-81kW (109-110)PS	Turbo Intercooled	TD711	988
XUD11ATE (PHZ)	4 Cyl.	21.5:1	2088cc	80-81kW (109-110)PS	Turbo Intercooled	TD717	988
XUD11ATE (PJZ)	4 Cyl.	21.5:1	2088cc	80kW (109)PS	Turbo Intercooled	TD718	988

XM 05/89→10/00

TB320 149x25.4	TBK035 Component No:TB320; AE1071TP;AE1044GP	CAM674	KIT	FOL116 (x12)	FOL109 (x12)

V94169 ■ 33.90 x 8.00 x 122.30	V94170 ■ 33.90 x 8.00 x 121.90	VAG96215B ■ ■ ■ 54.50 x 8.02 x 13.09
OE: 0948.68	OE: 0949.68	
MAT. MB cr	MAT. MD cr	
45°	45°	
H		



BY930 MLS, 1.350mm →10/94 ⊖(0.54)→(0.64) mm	BY941 MLS, 1.520mm ⊖(0.65)→(0.76) mm	BY950 MLS, 1.570mm ⊖(0.77)→(0.81) mm	BY961 MLS, 1.620mm ⊖(0.82)→(0.86) mm	BY970 MLS, 1.670mm 10/94→	BY981 MLS, 1.720mm ⊖(0.92)→(0.96) mm	DV150 ▲ [10]	HBS115 Ⓢ M12x1.50x145.00mm (x10) HBS125 Ⓢ M12x1.50x150.50mm (x10)	JD529 ■ JD230 ■	JP045	HR805 ■	NF841 35.00x50.00x8.00mm FPM
--	--	--	--	-------------------------------------	--	---------------------	--	----------------------------------	--------------	----------------	--



BY930, BY950, BY970 [10] With gaskets/seals
BY941 [10] Avec joints
BY961 [10] Con guarnizioni
BY981 [10] Con juntas

242







 **85.00**

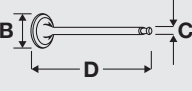




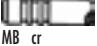
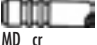
Diesel






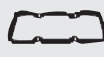




XUD11ATE (PHZ) 4 Cyl. 21.5:1 2088cc **80kW (109)PS** Turbo Intercooled **TD2881** **989**

605 06/89→09/99

					
TB320 149x25.4	TBK035 Component No:TB320; AE1071TP;AE1044GP	CAM674	KIT	FOL116 (x12)	FOL109 (x12)

	OE				
V94169 ■ 33.90 x 8.00 x 122.30	0948.68		45°	H	VAG96215B ■ ■ ■ 54.50 x 8.02 x 13.09
V94170 ■ 33.90 x 8.00 x 121.90	0949.68		45°		

							
BY930 MLS, 1.350mm →(0.54)→(0.64) mm	DV150 ▲ [10]		HBS115 ⊕ M12x1.50x145.00mm (x10) →Eng.05571	JD529 ■ JD230 ■	JP045	HR805 ■	NF841 35.00x50.00x8.00mm FPM
BY941 MLS, 1.520mm →(0.65)→(0.76) mm			HBS125 ⊕ M12x1.50x150.50mm (x10) Eng.05572→				
BY950 MLS, 1.570mm →(0.77)→(0.81) mm							
BY961 MLS, 1.620mm →(0.82)→(0.86) mm							
BY970 MLS, 1.670mm							
BY981 MLS, 1.720mm →(0.92)→(0.96) mm							



BY930, BY950, BY970
[10] With gaskets/seals



BY941
[10] Avec joints



BY961
[10] Con guarnizioni



BY981
[10] Con juntas

CITROEN/PEUGEOT

243



85.00

Diesel



XUD11BTE (P8C)	4 Cyl.	21.5:1	2088cc	81kW (110)PS	Turbo Intercooled	TD4281	990
XUD11BTE (P8C)	4 Cyl.	21.5:1	2088cc	81kW (110)PS	Turbo Intercooled	TD4850	990
406	01/96→10/04		605	08/94→09/99		806	06/96→08/99
EVASION	05/96→07/02		XANTIA	06/95→02/99		XM	11/91→10/00

TB320 149x25.4	TBK035 Component No:TB320; AE1071TP;AE1044GP	CAM674	KIT	FOL116 (x12)	FOL109 (x12) TTP3 (x12)

V94169 ■ 33.90 x 8.00 x 122.30	V94170 ■ 33.90 x 8.00 x 121.90	VAG96215B ■ ■ ■ 54.50 x 8.02 x 13.09
OE: 0948.68	OE: 0949.68	
MAT: MB cr	MAT: MD cr	
45°	45°	
H		

BY930 MLS, 1.350mm ⊕(0.54)→(0.64) mm	DV150 ▲ [10]	HBS125 ⊕ M12x1.50x150.50mm (x10)	JD529 ■ JD230 ■	JP045	HR805 ■	NF841 35.00x50.00x8.00mm FPM
BY941 MLS, 1.520mm ⊕(0.65)→(0.76) mm						
BY950 MLS, 1.570mm ⊕(0.77)→(0.81) mm						
BY961 MLS, 1.620mm ⊕(0.82)→(0.86) mm						
BY970 MLS, 1.670mm						
BY981 MLS, 1.720mm ⊕(0.92)→(0.96) mm						

BY930, BY950, BY970 [10] With gaskets/seals	BY941 [10] Avec joints	BY961 [10] Con guarnizioni	BY981 [10] Con juntas

244





85.00


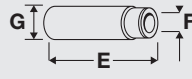



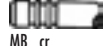

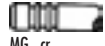
Diesel













DW12BTED4 (4HP)	4 Cyl.		2179cc	120kW (163)PS		TD24729	991
DW12BTED4 (4HS) Euro 4	4 Cyl.	16.6:1	2179cc	125kW (170)PS	Turbo Intercooled	TD24915	993
DW12MTED4 (4HN)	4 Cyl.	16.6:1	2179cc	115kW (156)PS		TD24713	998
DW12MTED4 (4HN)	4 Cyl.	16.6:1	2179cc	115kW (156)PS	Turbo Intercooled	TD24727	998
407	06/08→		4007	02/07→		C-CROSSER	02/07→
C-CROSSER ENTERPRISE	01/09→						



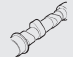



HM5369 ■	NA5035 27.00x47.00x7.00mm FPM

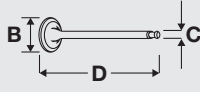




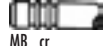

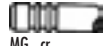
245	 85.00	Diesel					
DW12BTED4 (4HT) Euro 4	4 Cyl.	16.6:1	2179cc	125kW (170)PS	Bi-Turbo Intercooled	TD20028	994
DW12BTED4 (4HT) Euro 4	4 Cyl.	16.6:1	2179cc	125kW (170)PS	Bi-Turbo Intercooled	TD20812	994
407	05/06→	607	05/06→	807	06/06→		
C5	04/06→	C6	06/06→	C8	06/06→		









							
B x C x D	OE	MAT.				E x F x G	
V95083 ■	0948.E5		45°	Y	H	VAG96119 ■ ■ ■	
27.25 x 5.97 x 95.70		MB cr				41.50 x 6.03 x 10.54	
V95084 ■	0949.E1		45°	ss	H		
25.00 x 5.97 x 95.00		MG cr					

							
CD5490 ▲			HBS261 ☉ M12x1.50x126.00mm (x10)		HM5369 ■		NA5035 27.00x47.00x7.00mm FPM

246	 85.00	Diesel				
DW12TED4 (4HW)	4 Cyl.	17.6:1	2179cc	94kW (128)PS	TD20024	999
C8	07/02→					

					
TB678 146x25.4	TBK303 →04/04 Component No:TB678; AE1091GP;AE1165TP TBK355 04/04→ Component No:TB678; AE1180GP;AE1179TP	CAM750 ■ CAM751 ■	KIT		

							
B x C x D	OE	MAT.				E x F x G	
V94490 ■	0948.A3		45°	Y	H	VAG96119 ■ ■ ■	
29.80 x 6.00 x 105.00		MB cr				41.50 x 6.03 x 10.54	
V94491 ■	0949.A3		45°	ss	H		
25.00 x 6.00 x 105.00		MG cr					

							
AD5490 MLS, 1.250mm, 2 Notches AD5500 MLS, 1.300mm, 3 Holes AD5510 MLS, 1.350mm, 4 Holes AD5520 MLS, 1.400mm, 5 Holes	CD5490 ▲		HBS261 ☉ M12x1.50x126.00mm (x10)	JM5141 (Elastomer)	HR5046 ■ (x2)		NA5035 27.00x47.00x7.00mm FPM



AD5490, AD5500, AD5510, AD5520

CITROEN/PEUGEOT

247



85.00

Diesel



DW12TED4/FAP (4HX)	4 Cyl.	18:1	2179cc	100kW (136)PS	Turbo Intercooled	TD16128	999
DW12TED4/FAP (4HX)	4 Cyl.		2179cc	100kW (136)PS	Turbo Intercooled	TD16165	999
406	03/00→12/04		607	02/00→	807	06/02→	
C5	03/01→						

TB678 146x25.4	TBK303 →04/04 Component No:TB678; AE1091GP;AE1165TP TBK355 04/04→ Component No:TB678; AE1180GP;AE1179TP	CAM750 ■ CAM751 ■		FOL115 (x16)

B x C x D	OE	MAT.
V94490 ■ 29.80 x 6.00 x 105.00	0948.A3	 45° Y H
V94491 ■ 25.00 x 6.00 x 105.00	0949.A3	 45° ss H
		VAG96119 ■ ■ ■ 41.50 x 6.03 x 10.54

AD5490 MLS, 1.250mm, 2 Notches	CD5490 ▲	HBS261 ☉ M12x1.50x126.00mm (x10)	JM5141 (Elastomer)	HR5046 ■ (x2)	NA5035 27.00x47.00x7.00mm FPM
AD5500 MLS, 1.300mm, 3 Holes					
AD5510 MLS, 1.350mm, 4 Holes					
AD5520 MLS, 1.400mm, 5 Holes					



AD5490, AD5500, AD5510, AD5520

248	85.00	Diesel	
DW12UTED (4HY)	4 Cyl.	2179cc	74kW (100)PS
TD17513	1000		
BOXER	04/02→		

TB722					
143x25.4					

B x C x D	OE	MAT.	45°	H	E x F x G
V94178	0948.95		45°	H	VAG96119
35.60 x 6.00 x 107.10		MB cr			41.50 x 6.03 x 10.54
V94179	0949.96		45°	H	
33.80 x 6.00 x 107.10		MG cr			

AH5080 MLS, 1.250mm, 1 Hole			HBS261			HR5046	NA5035
AH5090 MLS, 1.300mm, 2 Holes			M12x1.50x126.00mm (x10)				27.00x47.00x7.00mm FPM
AH5100 MLS, 1.350mm, 3 Holes							
AH5110 MLS, 1.400mm, 4 Holes							



249	85.00	Diesel	
DW12UTED4 (4HY)	4 Cyl.	2179cc	74kW (101)PS
TD24468	1001		
JUMPER	02/02→		

TB722					
143x25.4					

B x C x D	OE	MAT.	45°	H	E x F x G
V94179	0949.96		45°	H	VAG96119
33.80 x 6.00 x 107.10		MG cr			41.50 x 6.03 x 10.54
V94178	0948.95		45°	H	
35.60 x 6.00 x 107.10		MB cr			

AH5080 MLS, 1.250mm, 1 Hole			HBS261			HR5046	NA5035
AH5090 MLS, 1.300mm, 2 Holes			M12x1.50x126.00mm (x10)				27.00x47.00x7.00mm FPM
AH5100 MLS, 1.350mm, 3 Holes							
AH5110 MLS, 1.400mm, 4 Holes							

CITROEN/PEUGEOT

250	 86.00	Petrol			
B20614	4 Cyl.	8.75:1	1985cc	48kW (65)PS	TD16437 1002
C35	11/73→01/94				





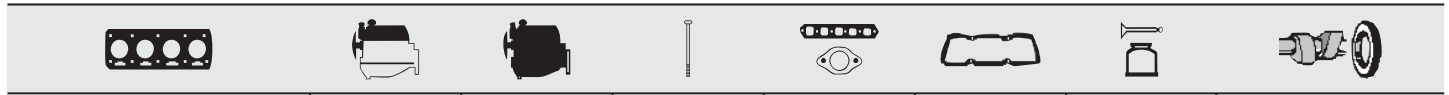
BF040 Fibre Composite, 1.200mm	DF044 ○ [11]	 GF044 ○ [10]		JB869 ▢	JN234		
---------------------------------------	---------------------	---	--	----------------	--------------	--	--



BF040

[10] With gaskets/seals	[10] Avec joints	[10] Con guarnizioni	[10] Con juntas
[11] Without gaskets/seals	[11] Sans joints	[11] Senza guarnizioni	[11] Sin juntas



251	 86.00	Petrol			
M20-616	4 Cyl.	9.5:1	1985cc	75kW (102)PS	TD687 1003
CX	09/74→05/79				



BF040 Fibre Composite, 1.200mm				 JE651	JN234		NF741 29.00x46.00x10.00mm ACM
---------------------------------------	--	--	--	--	--------------	--	---



BF040

252	 86.00	Petrol			
R6A	4 Cyl.		1998cc	90-96kW (122-130)PS	TD22606 1005
XU10J2C/Z L3 (RFX)	4 Cyl.	9.5:1	1998cc	89-95kW (121-129)PS	TD4286 1008
XM	05/89→06/94				



BV140 Fibre Composite, 1.250mm							NF817 36.00x50.00x7.00mm FPM
---------------------------------------	--	--	--	--	--	--	--



BV140

253	86.00	Petrol				
XU10J2	4 Cyl.	8.8:1	1998cc	89kW (121)PS	TD16738	1006
XU10J2U (RFW)	4 Cyl.	9.5:1	1998cc	80kW (109)PS	TD4285	1007
JUMPER	02/94→					

TB454 114x25.4	TBK344 Component No:TB454;AE1084TP				

B x C x D	E x F x G			
OE	MAT.			
V91972	0948.66		45°	H
42.60 x 8.00 x 108.80				
V91970	0949.66		45°	ss H
34.50 x 8.00 x 108.40				

BV140 Fibre Composite, 1.250mm	CY081 ▲ [10]		HBS245	JD519 (x2)	JN547	HR569	NF817
BY320 Fibre Composite, 1.450mm			M12x1.50x125.00mm (x10)	JC415 (x4)			36.00x50.00x7.00mm FPM



BV140, BY320
 [10] With gaskets/seals [10] Avec joints [10] Con guarnizioni [10] Con juntas

254	86.00	Petrol				
XU10J2 (RFU)	4 Cyl.	8.8:1	1998cc	89-90kW (121-123)PS	TD2848	1007
XU10J2/C (RFU)	4 Cyl.	9.5:1	1998cc	89kW (121)PS	TD4284	1007
806	06/94→08/02		EVASION	06/94→07/02		

TB419 114x17	TBK010 Component No:TB419;AE1026TP				

B x C x D	E x F x G			
OE	MAT.			
V91972	0948.66		45°	H
42.60 x 8.00 x 108.80				
V91970	0949.66		45°	ss H
34.50 x 8.00 x 108.40				

BV140 Fibre Composite, 1.250mm	CY082 ▲ [10]		HBS084	HA510	JN547	HR569	NF817
BY320 Fibre Composite, 1.450mm			M12x1.50x120.00mm (x10)	JC415 (x4)			36.00x50.00x7.00mm FPM



BV140, BY320
 [10] With gaskets/seals [10] Avec joints [10] Con guarnizioni [10] Con juntas

CITROEN/PEUGEOT

255



86.00

Petrol



XU10J2 (RFW) 4 Cyl. 8.8:1 1998cc **80kW (109)PS** **TD2847** **1007**

BOXER 03/94→04/02

TB454 114x25.4	TBK344 Component No:TB454;AE1084TP				

B x C x D	OE	MAT.	45°	H	E x F x G
V91972 ■ 42.60 x 8.00 x 108.80	0948.66		45°	H	
V91970 ■ 34.50 x 8.00 x 108.40	0949.66		45° ss	H	

BV140 Fibre Composite, 1.250mm BY320 Fibre Composite, 1.450mm	CY081 ▲ [10]		HBS084 ⊕ M12x1.50x120.00mm (x10)	JD519 ■ (x2) JC415 ■ (x4)	JN547	HR569 ■	NF817 36.00x50.00x7.00mm FPM



BV140, BY320

[10] With gaskets/seals [10] Avec joints [10] Con guarnizioni [10] Con juntas

256



86.00

Petrol



XU10J2 (RFX) 4 Cyl. 8.8:1 1998cc **89-96kW (121-131)PS** **TD2846** **1008**

XU10J2C (RFX) 4 Cyl. 9.5:1 1998cc **89-90kW (120-122)PS** **TD727** **1008**

306 05/93→04/02 **405** 08/92→10/96 **XANTIA** 03/93→04/03
ZX 07/92→10/97

TB419 114x17	TBK010 Component No:TB419;AE1026TP				

B x C x D	OE	MAT.	45°	H	E x F x G
V91972 ■ 42.60 x 8.00 x 108.80	0948.66		45°	H	
V91970 ■ 34.50 x 8.00 x 108.40	0949.66		45° ss	H	

BV140 Fibre Composite, 1.250mm BY320 Fibre Composite, 1.450mm	CY080 ▲ [10]		HBS084 ⊕ M12x1.50x120.00mm (x10)	HA510 ■ ■ JD520 ■ (x4)	JP043	HR569 ■	NF817 36.00x50.00x7.00mm FPM



BV140, BY320

[10] With gaskets/seals [10] Avec joints [10] Con guarnizioni [10] Con juntas

257







 **86.00**

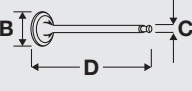
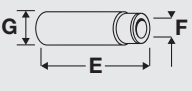






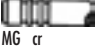
Petrol





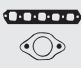





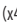



XU10J2 (RFZ) 4 Cyl. 8.8:1 1998cc **89-90kW (121-122)PS** **TD729** **1008**

XM 05/89→06/94

					
TB226 113x17 →01/92	TBK009 →01/92 Component No:TB226;AE1020TP				
TB419 114x17 01/92→	TBK010 01/92→ Component No:TB419;AE1026TP				

					
B x C x D	OE	MAT.			
V91972 	0948.66		45°		H
42.60 x 8.00 x 108.80		MB			
V91970 	0949.66		45°	ss	H
34.50 x 8.00 x 108.40		MG cr			

							
BV140 Fibre Composite, 1.250mm BY320 Fibre Composite, 1.450mm	CY080 ▲ [10]		HBS084  M12x1.50x120.00mm (x10)	HA510  JD520  (x4)	JP043	HR569 	NF817 36.00x50.00x7.00mm FPM



BV140, BY320

[10] With gaskets/seals

[10] Avec joints

[10] Con guarnizioni

[10] Con juntas

CITROEN/PEUGEOT

258



86.00

Petrol



XU10J2TE (RGX)	4 Cyl.		1998cc	108kW (147)PS	Turbo Intercooled	TD4290	1009
XU10J2TE (RGX)	4 Cyl.	8.8:1	1998cc	108kW (147)PS	Turbo Intercooled	TD4847	1010
406	04/96→10/04		605	07/91→09/99		806	06/94→08/02
Evasion	06/94→07/02		XANTIA	06/95→04/03		XM	05/94→10/00

TB419 114x17	TBK010 Component No:TB419;AE1026TP		KIT		

B x C x D	E x F x G
OE	
MAT.	
V91972 ■	0948.66
42.60 x 8.00 x 108.80	
V91971 ■	0949.76
34.50 x 8.00 x 108.40	

BY310 Fibre Composite, 1.250mm	DY310 ▲ [10]	HBS084 Ⓢ	HA512 ■ ■ ■	JN547	HR569 ■	NF817
BY320 Fibre Composite, 1.450mm		M12x1.50x120.00mm (x10)				36.00x50.00x7.00mm FPM



BY310, BY320

[10] With gaskets/seals [10] Avec joints [10] Con guarnizioni [10] Con juntas

259



86.00

Petrol



XU10J2TE (RGY)	4 Cyl.	8:1	1998cc	104kW (141)PS	Turbo Intercooled	TD2850	1010
406	11/96→03/99		605	07/92→09/99			

TB419 114x17	TBK010 Component No:TB419;AE1026TP		KIT		

B x C x D	E x F x G
OE	
MAT.	
V91972 ■	0948.66
42.60 x 8.00 x 108.80	
V91971 ■	0949.76
34.50 x 8.00 x 108.40	

BV140 Fibre Composite, 1.250mm	DY310 ▲ [10]	HBS084 Ⓢ	HA512 ■ ■ ■	JN547	HR569 ■	NF817
BY310 Fibre Composite, 1.250mm		M12x1.50x120.00mm (x10)				36.00x50.00x7.00mm FPM
BY320 Fibre Composite, 1.450mm						



BV140, BY310, BY320

[10] With gaskets/seals [10] Avec joints [10] Con guarnizioni [10] Con juntas

260	86.00	Petrol							
XU10J2TE/Z (RGY)	4 Cyl.	8.5:1	1998cc	108kW (147)PS	Turbo Intercooled	TD4291	1009		
XM	09/92→10/00								

TB419 114x17	TBK010 Component No:TB419;AE1026TP				

B x C x D	OE	MAT.	45°	H	E x F x G
V91972 ■ 42.60 x 8.00 x 108.80	0948.66		45°	H	
V91971 ■ 34.50 x 8.00 x 108.40	0949.76		45° ss	H	

BV140 Fibre Composite, 1.250mm BY320 Fibre Composite, 1.450mm	DY310 ▲ [10]		HBS084 ⊕ M12x1.50x120.00mm (x10)	HA512 ■ ■	JN547	HR569 ■	NF817 36.00x50.00x7.00mm FPM



BV140, BY320
 [10] With gaskets/seals [10] Avec joints [10] Con guarnizioni [10] Con juntas

261	86.00	Petrol							
XU10J2U (RFL)	4 Cyl.	9.5:1	1998cc	81kW (110)PS					TD17511 1011
BOXER	12/01→								

TB454 114x25.4	TBK344 Component No:TB454;AE1084TP				

B x C x D	OE	MAT.	45°	H	E x F x G
V91972 ■ 42.60 x 8.00 x 108.80	0948.66		45°	H	VAG96116B ■ 45.00 x 8.03 x 13.58
V91970 ■ 34.50 x 8.00 x 108.40	0949.66		45° ss	H	

BV140 Fibre Composite, 1.250mm BY320 Fibre Composite, 1.450mm	CY081 ▲ [10]		HBS084 ⊕ M12x1.50x120.00mm (x10)	JD519 ■ (x2) JC415 ■ (x4)	JN547	HR569 ■	NF817 36.00x50.00x7.00mm FPM



BV140, BY320
 [10] With gaskets/seals [10] Avec joints [10] Con guarnizioni [10] Con juntas

CITROEN/PEUGEOT

262



86.00

Petrol



XU10J2Z (RFZ)

4 Cyl.

8.8:1

1998cc

89-90kW (121-123)PS

TD2851

1012

605

06/89→09/99

TB419 114x17	TBK010 Component No:TB419;AE1026TP				

B x C x D	E x F x G
OE	
MAT.	
V91972 ■ 42.60 x 8.00 x 108.80	0948.66 45° H
V91970 ■ 34.50 x 8.00 x 108.40	0949.66 45° ss H

BV140 Fibre Composite, 1.250mm BY320 Fibre Composite, 1.450mm	DS820 ▲ [10]		HBS084 ⊕ M12x1.50x120.00mm (x10)	JC415 ■ (x4)	JN547	HR569 ■	NF817 36.00x50.00x7.00mm FPM



BV140, BY320

[10] With gaskets/seals

[10] Avec joints

[10] Con guarnizioni

[10] Con juntas

263



86.00

Petrol



XU10J4 (RFT)

4 Cyl.

1998cc

110-112kW (150-152)PS

TD2852

1013

306

06/94→05/01

405

06/94→10/95

TB453 134x25.4					FOL134 (x16)

B x C x D	E x F x G
OE	
MAT.	
V94205 ■ 34.60 x 7.00 x 106.40	VAG96166B ■ ■ ■ 40.00 x 7.02 x 12.08
V94206 ■ 29.60 x 7.00 x 105.80	

AY090 Fibre Composite, 1.250mm AY100 Fibre Composite, 1.450mm	CY090 ▲ [10]		HBS087 ⊕ M12x1.50x110.00mm (x10) →Eng.08581	JD536 ■ JD535 ■	JP044	HR599 ■ HR642 ■	NF817 (x2) 36.00x50.00x7.00mm FPM



AY090, AY100

[10] With gaskets/seals

[10] Avec joints

[10] Con guarnizioni

[10] Con juntas

264	86.00	Petrol				
XU10J4/Z (RFT)	4 Cyl.	10.4:1	1998cc	112kW (152)PS	TD5066	1012
XANTIA	06/94→01/98	ZX	07/92→10/97			

TB453					
134x25.4					

B x C x D	E x F x G
V94205	VAG96166B
0948.75	40.00 x 7.02 x 12.08
34.60 x 7.00 x 106.40	
V94206	
91 540 782	
29.60 x 7.00 x 105.80	
MD	45°
MD cr	

AY090 Fibre Composite, 1.250mm	CY090 [10]		HBS087	JD536	JP044	HR642	NF817
AY100 Fibre Composite, 1.450mm			M12x1.50x110.00mm (x10)	JD535			36.00x50.00x7.00mm FPM
			→Eng.08581				



AY090, AY100
 [10] With gaskets/seals [10] Avec joints [10] Con guarnizioni [10] Con juntas

265	86.00	Petrol				
XU10J4/Z (RFY)	4 Cyl.	10.4:1	1998cc	112kW (152)PS	TD4288	1012
XANTIA	03/93→01/98	ZX	07/92→10/97			

TB453					FOL134 (x16)
134x25.4					

B x C x D	E x F x G
V94205	VAG96166B
0948.75	40.00 x 7.02 x 12.08
34.60 x 7.00 x 106.40	
V94206	
91 540 782	
29.60 x 7.00 x 105.80	
MD	45°
MD cr	

AY090 Fibre Composite, 1.250mm	CY090 [10]		HBS087	JD536	JP044	HR642	NF817
AY100 Fibre Composite, 1.450mm			M12x1.50x110.00mm (x10)	JD535			36.00x50.00x7.00mm FPM
			→Eng.08581				



AY090, AY100
 [10] With gaskets/seals [10] Avec joints [10] Con guarnizioni [10] Con juntas

CITROEN/PEUGEOT

266


86.00
Petrol


XU10J4R (RFV)	4 Cyl.	10.4:1	1998cc	99kW (135)PS	TD11667	1014
XU10J4R (RFV)	4 Cyl.	10.4:1	1998cc	99kW (135)PS	TD2853	1014
306	03/97→04/02		406	11/95→12/04	605	07/94→09/99
806	05/98→09/00		EVASION	05/98→04/00	XANTIA	06/95→04/03
XM	05/89→10/00		XSARA	07/98→09/00		

TB479 136x25.4	TBK113 Component No:TB479; AE1084TP;AE1044GP				FOL134 (x16)

	OE	MAT.				
B x C x D			45°	Y	H	E x F x G
V94229 ■ 34.60 x 7.00 x 106.40 →06/97, Eng.→7359	0948.75	 MB	45°	Y	H	VAG96166B ■ ■ ■ 40.00 x 7.02 x 12.08 Eng.→7359
V94175 ■ 34.60 x 6.00 x 106.40 07/97→, Eng.7360→	0948.92	 MB	45°	Y	H	
V94217 ■ 29.60 x 7.00 x 105.70 →06/97, Eng.→7359	0949.81	 MG cr	45°		H	
V94176 ■ 29.60 x 6.00 x 105.80 07/97→, Eng.7360→	0949.92	 MG cr	45°	ss	H	

AY070 Fibre Composite BV140 Fibre Composite, 1.250mm	CY070		HBS087 ⊕ M12x1.50x110.00mm (x10) →Eng.08581	JD536 ■ JD539 ■	JM7121 ■ (Elastomer)	HR5080 ■ →Eng.07359 HR5081 ■ Eng.07360→ →Eng.07965	NF817 36.00x50.00x7.00mm FPM Xantia, XM


AY070

BV140

267







 **86.00**

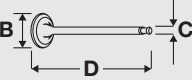




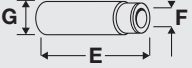

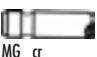
Petrol












XU10J4RS (RFS)	4 Cyl.	10:1	1998cc	120kW (163)PS	TD10668	1015
XU10J4RS (RFS)	4 Cyl.	10.8:1	1998cc	120-123kW (163-167)PS	TD4848	1015

306	03/96→05/01	XSARA	04/97→03/05	ZX	05/96→10/97
------------	-------------	--------------	-------------	-----------	-------------

					
TB479 136x25.4 →03/00 TB724 137x25.4 04/00→	TBK113 →03/00 Component No:TB479; AE1084TP;AE1044GP		KIT		FOL138 (x16)

						
B x C x D	OE	MAT.	45°	Y	H	E x F x G
V94167 ■ 34.10 x 6.00 x 106.40	0948.82		45°	Y	H	
V94168 ■ 30.70 x 6.00 x 105.30	0949.87		45°	ss	H	

							
AY070 Fibre Composite	CY070	HBS087  M12x1.50x110.00mm (x10) →Eng.08581	JD536 ■ JD539 ■		HR5080 ■ →Eng.07359 HR5081 ■ Eng.07360→ →Eng.07965		NF817 36.00x50.00x7.00mm FPM



AY070

CITROEN/PEUGEOT

268



86.00

Petrol



XU10J4TE/Z (RGZ)

4 Cyl.

8:1

1998cc

144kW (196)PS

Turbo Intercooled

TD2854

1016

405

08/92→12/95

TB453 134x25.4					

B x C x D	OE	MAT.	45°	H	E x F x G
V91469 ■ 34.50 x 7.00 x 106.50	0948.61		45°	H	VAG96166B ■ ■ ■ 40.00 x 7.02 x 12.08
V91470 ■ 29.60 x 7.00 x 105.70	0949.62		45°		

AY090 Fibre Composite, 1.250mm AY100 Fibre Composite, 1.450mm	CY090 ▲ [10]		HBS087 ⊕ M12x1.50x110.00mm (x10) →Eng.08581	JD536 ■ JD535 ■	JP044	HR599 ■ HR642 ■ (x2)	NF817 (x2) 36.00x50.00x7.00mm FPM



AY090, AY100

[10] With gaskets/seals

[10] Avec joints

[10] Con guarnizioni

[10] Con juntas

269



86.00

Petrol



XU10J4Z (RFY)

4 Cyl.

10.4:1

1998cc

112kW (152)PS

TD2855

1012

306

05/93→05/01

405

08/92→10/95

TB453 134x25.4					FOL134 (x16)

B x C x D	OE	MAT.	45°	H	E x F x G
V94205 ■ 34.60 x 7.00 x 106.40	0948.75		45°	H	VAG96166B ■ ■ ■ 40.00 x 7.02 x 12.08
V94206 ■ 29.60 x 7.00 x 105.80	91 540 782		45°		

AY090 Fibre Composite, 1.250mm AY100 Fibre Composite, 1.450mm	CY090 ▲ [10]		HBS087 ⊕ M12x1.50x110.00mm (x10) →Eng.08581	JD536 ■ JD535 ■	JP044	HR599 ■	NF817 (x2) 36.00x50.00x7.00mm FPM



AY090, AY100

[10] With gaskets/seals

[10] Avec joints

[10] Con guarnizioni

[10] Con juntas

270







 **86.00**

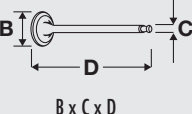
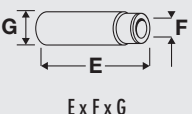




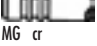
Petrol










XU10MZ (RDZ) 4 Cyl. 8.8:1 1998cc **81kW (110)PS** **TD9552** **1017**

XM 05/89→04/94

					
TB226 113x17 →01/92	TBK009 →01/92 Component No:TB226;AE1020TP				
TB419 114x17 01/92→	TBK010 01/92→ Component No:TB419;AE1026TP				

					
B x C x D	OE	MAT.			
V91972 ■ 42.60 x 8.00 x 108.80 01/92→	0948.66	 MB	45°		H
V91970 ■ 34.50 x 8.00 x 108.40 01/92→	0949.66	 MG cr	45°	ss	H

						
BS820 Fibre Composite, 1.250mm	DS820 ▲ [10]	HBS084 ⊕ M12x1.50x120.00mm (x10)	JC415 ■ (x4)	JN547	HR569 ■	NF817 36.00x50.00x7.00mm FPM



BS820
[10] With gaskets/seals [10] Avec joints [10] Con guarnizioni [10] Con juntas

CITROEN/PEUGEOT

271



86.00

Petrol



XU102C	4 Cyl.	8.8:1	1998cc	79kW (107)PS	TD12830	1018
XU102C (R5A)	4 Cyl.	8.8:1	1998cc	84kW (114)PS	TD8480	1012

605	06/89→09/99	XM	11/91→04/94
------------	-------------	-----------	-------------

TB226 113x17 →01/92	TBK009 →01/92 Component No:TB226;AE1020TP		KIT		
TB419 114x17 01/92→	TBK010 01/92→ Component No:TB419;AE1026TP				

B x C x D	E x F x G

V91972	0948.66		45°	H
42.60 x 8.00 x 108.80		MB		
V91970	0949.66		45° ss	H
34.50 x 8.00 x 108.40		MG cr		

BS820 Fibre Composite, 1.250mm	DS820 ▲ [10]	HBS084	JC415	JN547	HR569	NF817 36.00x50.00x7.00mm FPM
		M12x1.50x120.00mm (x10)				



BS820
 [10] With gaskets/seals [10] Avec joints [10] Con guarnizioni [10] Con juntas



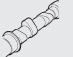



272

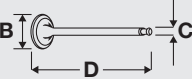
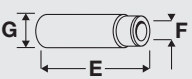




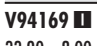

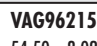
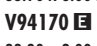

 **86.00**




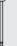






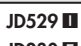


Diesel



XUD11A (P9A)	4 Cyl.	22.5:1	2138cc	61kW (82)PS	TD11187	1019
XUD11A (P9A)	4 Cyl.	22.5:1	2138cc	61kW (82)PS	TD713	1019
605	06/89→07/95	XM	05/89→08/96			

					
TB319 144x25.4	TBK013 Component No:TB496; AE1048TP;AE1040GP		KIT		

					
B x C x D	OE	MAT.	45°	H	E x F x G
V94169  33.90 x 8.00 x 122.30	0948.68	 MB cr	45°		VAG96215B  54.50 x 8.02 x 13.09
V94170  33.90 x 8.00 x 121.90	0949.68	 MD cr	45°		

							
BV150 Fibre Composite, 1.580mm, 2 Notches ⊖(0.65)→(0.77) mm	DV150  [10]		HBS115  M12x1.50x145.00mm (x10)	JD529  JD230 	JP045	HR805 	NF841 35.00x50.00x8.00mm FPM
BV160 Fibre Composite, 1.700mm, 3 Notches ⊖(0.77)→(0.82) mm							



BV150
[10] With gaskets/seals

BV160
[10] Avec joints

[10] Con guarnizioni

[10] Con juntas




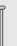




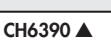
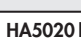

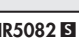
273

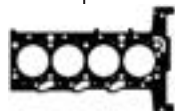
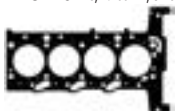
 **86.00**

Diesel



P22DTE (4HU) Euro 4	4 Cyl.	17.5:1	2198cc	88kW (120)PS	Turbo Intercooled	TD24470	1020
P22DTE (4HU) Euro 4	4 Cyl.	17.5:1	2198cc	88kW (120)PS	Turbo Intercooled	TD24538	1020
BOXER	04/06→	JUMPER	04/06→				

							
AH6390 MLS, 1.100mm, 1 Notch	CH6390 			HA5020  JD5998  MLS	JM5037 (Elastomer)	HR5082 	
AH6400 MLS, 1.150mm, 2 Notches							
AH6410 MLS, 1.200mm, 3 Notches							



AH6390

AH6400

AH6410

CITROEN/PEUGEOT

274



86.00

Diesel



P22DTE (4HV) Euro 4	4 Cyl.	17.5:1	2198cc	74kW (101)PS	Turbo Intercooled	TD24469	1021
P22DTE (4HV) Euro 4	4 Cyl.	17.5:1	2198cc	74kW (101)PS	Turbo Intercooled	TD24537	1021

BOXER	04/06 →	JUMPER	04/06 →
--------------	---------	---------------	---------

<p>B x C x D</p>	OE	MAT.		<p>E x F x G</p>
V98028 29.80 x 7.00 x 122.30			45°	
V98029 25.80 x 7.00 x 122.10			30°	

 AH6390 MLS, 1.100mm, 1 Notch	 CH6390 ▲	 AH6400 MLS, 1.150mm, 2 Notches	 AH6410 MLS, 1.200mm, 3 Notches	 JM5037 (Elastomer)
 AH6390	 AH6400	 AH6410		

275



86.00

Petrol



EW12J4 (3FY)	4 Cyl.	10.8:1	2230cc	120kW (163)PS	TD20025	1022
EW12J4 (3FZ)	4 Cyl.	10.8:1	2230cc	118kW (160)PS	TD16129	1022
EW12J4 (3FZ)	4 Cyl.	10.8:1	2230cc	116kW (158)PS	TD16485	1022

406	07/00 → 12/04	407	05/04 →	607	02/00 →
807	06/02 →	C8	07/02 →		

 TB683 153x25.4	 TBK279 Component No:TB683; AE1154GP;AE1153TP	 KIT	 KIT		
-----------------------	--	---------	---------	--	--

<p>B x C x D</p>	OE	MAT.		<p>E x F x G</p>
V94488 35.00 x 6.00 x 106.00	0948.A1		45° Y H	
V94489 31.10 x 6.00 x 102.80	0949.A2		45° ss H	

 AG9750 MLS	 CG9750	 HB5309 M11x1.50x127.00mm (x10)	 JD5883 Soft Material Gasket	 JM5139 JM5283	 NF817 36.00x50.00x7.00mm FPM
----------------	------------	---------------------------------------	------------------------------------	----------------------	-------------------------------------

276	86.00	Petrol					
EW12J4 (3FY)	4 Cyl.	10.8:1	2230cc	120kW (163)PS	TD25089	1022	
AH6730 MLS, 0.9mm	CG9750		HBS309 M11x1.50x127.00mm (x10)	JD5883 Soft Material Gasket	JM5139 JM5283		NF817 36.00x50.00x7.00mm FPM
AH6730							

277	86.40	Petrol				
222A2 (1580 SPI)	4 Cyl.	1580cc	59kW (80)PS	TD2753	910	
EXPERT	02/96 →					
TB305 138x15	TBK027 Component No:TB305;AE1008TP					
V91300 37.50 x 8.00 x 108.50	V91762 33.00 x 8.00 x 109.00	MAT. MB MD	45° 45°	H 	VAG92366 46.50 x 8.00 x 14.10	

AY460 Fibre Composite BR630 Fibre Composite	DR630 [10]	GR630 [10]	HBS051 M10x1.25x98.00mm (x5)	JD146 JF150	JP049 (Cork) JN805	HR363	
AY460, BR630 [10] With gaskets/seals	[10] Avec joints	[10] Con guarnizioni	[10] Con juntas				

CITROEN/PEUGEOT

278



86.40

Petrol



220 A2.000

4 Cyl.

1581cc

59kW (80)PS

TD6587

1023

JUMPY

10/95→

TB304 104x17	TBK005 Component No:TB304;AE1026TP	CAM540	CK57540	FOL2 (x8)	

B x C x D	OE	MAT.	45°	H	E x F x G
V91306					VAG92366
39.50 x 8.00 x 108.50		MB	45°		46.50 x 8.00 x 14.10
V91713		MD cr			
31.00 x 8.00 x 109.00					

AY460 Fibre Composite	DR630 [10]	GR630 [10]	HBS051	JD146	JP049	HR363	
BR630 Fibre Composite			M10x1.25x98.00mm (x5)		(Cork)		
					JN805		



AY460, BR630

[10] With gaskets/seals

[10] Avec joints

[10] Con guarnizioni

[10] Con juntas

279



86.40

Petrol



1580 SPI

4 Cyl.

9.2:1

1581cc

59kW (80)PS

TD12808

1024

1580 SPI

4 Cyl.

9.2:1

1581cc

58kW (79)PS

TD8484

1024

JUMPY

10/95→

AY460 Fibre Composite	DR630 [10]	GR630 [10]	HBS051	JD146	JP049	HR363	
BR630 Fibre Composite			M10x1.25x98.00mm (x5)		(Cork)		
					JN805		



AY460, BR630

[10] With gaskets/seals

[10] Avec joints

[10] Con guarnizioni

[10] Con juntas

280



87.00

Petrol



ES9A (XFU)

V6 Cyl.

10.9:1

2946cc

155kW (211)PS

TD21314



1025







C5

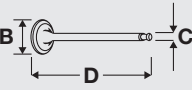

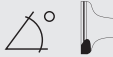

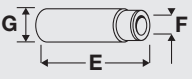

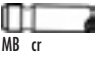

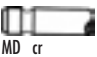

10/04→



















TB727 259x32					











							NA5260
							38.00x50.00x6.00mm FPM

281	 87.00	Petrol			
ES9A (XfV)	V6 Cyl.	10.9:1	2946cc	155kW (211)PS	TD18841 1026
ES9A (XfV)	V6 Cyl.	10.9:1	2946cc	152kW (207)PS	TD18962 1025
407	05/04→	607		03/04→	C5
C6	09/05→				09/04→

					
TB727					
259x32					

				
B x C x D	OE	MAT.	45°	H
V94198 	0948.A5		45°	H
34.95 x 5.98 x 108.45		MB cr		
V94199 	0949.A5		45°	ss
30.55 x 5.98 x 106.95		MD cr		
				VAG96271B 
				40.00 x 6.00 x 11.06

							
AH5060  MLS, 0.740mm	CH5040 		HBS272  M10x1.50x147.00mm (x16)	JD5906 		HR5062 	NA5260 38.00x50.00x6.00mm FPM
AH5050  MLS, 0.950mm	CH5060 			JD5907  (x2)			
AH5040  MLS, 0.740mm							
AH5070  MLS, 0.950mm							

282	 87.00	Petrol					
ES9A (XfW)	V6 Cyl.	10.9:1	2946cc	150kW (204)PS	TD25091		
ES9A (XfX)	V6 Cyl.	10.9:1	2946cc	152kW (207)PS	TD25090 1027		
							
						NA5260 38.00x50.00x6.00mm FPM	

CITROEN/PEUGEOT

283



87.00

Petrol



ES9J4 (XFZ)	V6 Cyl.	10.5:1	2946cc	152kW (207)PS	TD5487	1028
ES9J4 (XFZ)	V6 Cyl.	10.5:1	2946cc	152kW (207)PS	TD9406	1028
406	10/96→12/04		605	04/97→09/99	XANTIA	01/97→04/03
XM	04/97→10/00					

TB727					
259x32					

B x C x D	OE	E x F x G	
V94173	0948.85	VAG96271B	
33.80 x 6.00 x 108.40		40.00 x 6.00 x 11.06	
V94174	0949.91		
31.50 x 6.00 x 107.80			

AG9710 MLS, 1.400mm	CG9710	HBS272	JD5879	HR5062	NA5260		
AG9720 MLS, 1.650mm	CG9720	M10x1.50x147.00mm (x16)	JD5880		38.00x50.00x6.00mm FPM		
AG9730 MLS, 1.400mm	CG9740		Steel Elastomer		NA5177		
AG9740 MLS, 1.650mm			JD5878		42.00x56.00x7.00mm FPM		
			MLS				

284





87.00

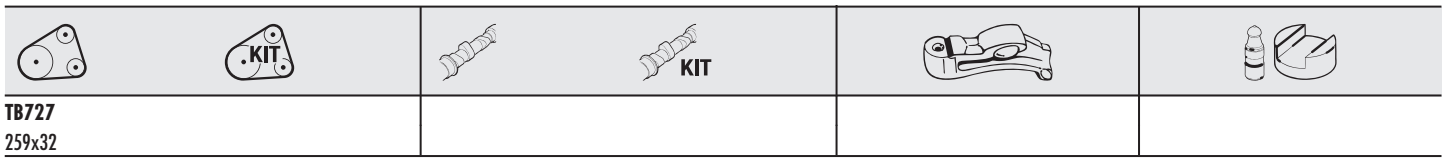
Petrol

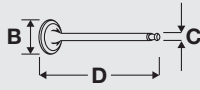
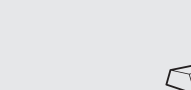
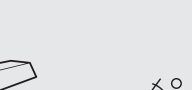

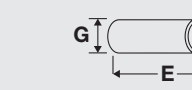
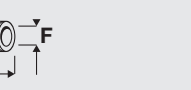
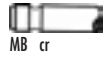

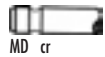







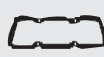


ES9J4S (XFW)	V6 Cyl.	10.9:1	2946cc	150kW (204)PS	TD26409	1029
--------------	---------	--------	--------	---------------	---------	------



AH5060 MLS, 0.740mm	CH5040	HBS272	JD5906	HR5062	NA5260		
AH5050 MLS, 0.950mm	CH5060	M10x1.50x147.00mm (x16)	JD5907		38.00x50.00x6.00mm FPM		
AH5040 MLS, 0.740mm			JE5069				
AH5070 MLS, 0.950mm			JE5070				
			JE5071				

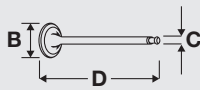
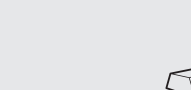
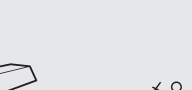

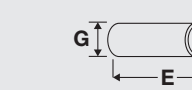
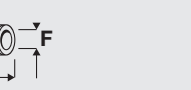
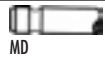

285	 87.00	Petrol				
ES9J4S (XFX)	V6 Cyl.	10.9:1	2946cc	152kW (207)PS	TD13908	1030
ES9J4S (XFX)	V6 Cyl.	10.9:1	2946cc	152kW (207)PS	TD16164	1030
406	03/00→12/04	607	02/00→	807	06/02→	
C5	03/01→	C6	09/05→	C8	07/02→	













TB727 259x32						
						
B x C x D	OE	MAT.	45°	H	Ex F x G	
V94198 ■ 34.95 x 5.98 x 108.45	0948.A5	 MB cr	45°	H	VAG96271B ■ ■ E 40.00 x 6.00 x 11.06	
V94199 ■ 30.55 x 5.98 x 106.95	0949.A5	 MD cr	45°	ss		






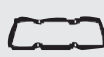


							
AH5060 MLS, 0.740mm ■	CH5040 ■		HBS272 ⊕ M10x1.50x147.00mm (x16)	JD5906 ■		HR5062 ■	NA5260 38.00x50.00x6.00mm FPM
AH5050 MLS, 0.950mm ■	CH5060 ■			JD5907 ■ (x2)			NA5177 42.00x56.00x7.00mm FPM
AH5040 MLS, 0.740mm ■							
AH5070 MLS, 0.950mm ■							

286	 88.00	Diesel				
XD4.88	4 Cyl.	21.8:1	1948cc	40kW (54)PS	TD2807	1031
504	03/73→12/89					

						
B x C x D	OE	MAT.	45°		Ex F x G	
V90351 ■ 33.50 x 8.50 x 116.20	0949.25	 MD	45°		VAG92179 ■ ■ E 55.50 x 8.53 x 14.06	

							
	DG050 ▲ [11]			JB842 ■			

287	 88.00	Diesel				
XDP 4.88	4 Cyl.	21.8:1	1948cc	36-46kW (49-63)PS	TD22477	1033

							
	DG050 ▲ [11]			JC054 ■ (x4)			JB842 ■

[11] Without gaskets/seals [11] Sans joints [11] Senza guarnizioni [11] Sin juntas

CITROEN/PEUGEOT

288



88.00

Diesel



XDP88 4 Cyl. 21.8:1 1948cc **40kW (54)PS** **TD8499** **1034**

J7 08/68 → 07/78

<p>B x C x D</p>	OE	MAT.	<p>45°</p>	<p>E x F x G</p>
V90351 33.50 x 8.50 x 116.20	0949.25	 MD		VAG92179 55.50 x 8.53 x 14.06

BF580 Fibre Composite, 1.400mm Eng.2053777 → BN320 Fibre Composite, 1.580mm, 1 Notch Eng.2053777 →	DG050 ▲ [11] DF580 Eng.2053777 →	GF322 [10]		JB842 (x2) JE646	JN245	PA229 (x8)	



BF580, BN320

[10] With gaskets/seals [10] Avec joints [10] Con guarnizioni [10] Con juntas
 [11] Without gaskets/seals [11] Sans joints [11] Senza guarnizioni [11] Sin juntas

289



88.00

Petrol

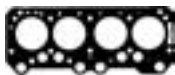


XN1 4 Cyl. 8.4:1 1971cc **57kW (77)PS** **TD2833** **1035**

504 04/71 → 07/86 **505** 09/80 → 09/85

<p>B x C x D</p>	OE	MAT.	<p>30°</p>	H	<p>E x F x G</p>
V34459 42.50 x 8.00 x 118.30 V34460 35.50 x 8.00 x 112.00	0948.33	 MB MD	45°		VAG51007 55.00 x 8.00 x 14.06



BF250 Fibre Composite, 1.350mm BM530 Fibre Composite, 1.400mm BN780 Fibre Composite, 1.600mm	DM530 [11] DM533 ▲ [10]	GM533 ○ [11]	HBS038 M11x1.50x175.00mm (x10)	JB841 JE647	JN244	HR569	

























BF250

BM530, BN780

[10] With gaskets/seals [10] Avec joints [10] Con guarnizioni [10] Con juntas
 [11] Without gaskets/seals [11] Sans joints [11] Senza guarnizioni [11] Sin juntas



290	 88.00	Petrol				
XN1 (106)	4 Cyl.	8.35:1	1971cc	57kW (77)PS	TD2830	1036
XN1A (106E)	4 Cyl.	8.8:1	1971cc	57kW (77)PS	TD4845	1037
504	03/71→06/86	505	11/80→09/95			












					
B x C x D	OE	MAT.			E x F x G
V34459 	0948.33		30°	H	VAG51007 
42.50 x 8.00 x 118.30		MB			55.00 x 8.00 x 14.06
V34460 	0949.21		45°		
35.50 x 8.00 x 112.00		MD			












							
BM530 Fibre Composite, 1.400mm BN780 Fibre Composite, 1.600mm	DM530 [11] DM533 ▲ [10]	GM533 ○ [11]	HBS038  M11x1.50x175.00mm (x10)	JB841  JE647 →Eng.1807897	JN244	HR569 	



BM530, BN780
 [10] With gaskets/seals [10] Avec joints [10] Con guarnizioni [10] Con juntas
 [11] Without gaskets/seals [11] Sans joints [11] Senza guarnizioni [11] Sin juntas

291	 88.00	Petrol				
XN1P	4 Cyl.	8.4:1	1971cc	57kW (77)PS	TD8502	1036
J5	09/81→08/90	J9	03/80→06/87			

					
B x C x D	OE	MAT.			E x F x G
V34459 	0948.33		30°	H	VAG51007 
42.50 x 8.00 x 118.30		MB			55.00 x 8.00 x 14.06
V34460 	0949.21		45°		
35.50 x 8.00 x 112.00		MD			

							
BM530 Fibre Composite, 1.400mm BN780 Fibre Composite, 1.600mm	DM530 [11] DM533 ▲ [10]	GM533 ○ [11]	HBS038  M11x1.50x175.00mm (x10)	JB841 	JN244	HR569 	



BM530, BN780
 [10] With gaskets/seals [10] Avec joints [10] Con guarnizioni [10] Con juntas
 [11] Without gaskets/seals [11] Sans joints [11] Senza guarnizioni [11] Sin juntas

CITROEN/PEUGEOT

292



88.00

Petrol

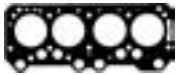


XN1T (170)	4 Cyl.	8:1	1971cc	57kW (77)PS	TD2837	1039
XN1T (170A)	4 Cyl.	8.1:1	1971cc	57kW (77)PS	TD5164	1040
XN1T (170B)	4 Cyl.	8.1:1	1971cc	57kW (77)PS	TD2836	1040
XN1T (170B)	4 Cyl.	8.1:1	1971cc	57kW (77)PS	TD589	1040
XN1T (170C)	4 Cyl.	8:1	1971cc	57kW (77)PS	TD590	1039

C25	09/81 → 03/94	J5	09/81 → 09/90
------------	---------------	-----------	---------------

<p>B x C x D</p>	OE	MAT.	<p>30°</p>	H	<p>E x F x G</p>
V34459 ■	0948.33				VAG51007 ■ ■
42.50 x 8.00 x 118.30		MB			55.00 x 8.00 x 14.06
V34460 ■	0949.21		45°		
35.50 x 8.00 x 112.00		MD			

BM530 Fibre Composite, 1.400mm	DM530 [11]		HBS038 Ⓢ	JB841 ■	JN244	HR569 ■	
BN780 Fibre Composite, 1.600mm	DM533 ▲ [10]		M11x1.50x175.00mm (x10)				



BM530, BN780

[10] With gaskets/seals	[10] Avec joints	[10] Con guarnizioni	[10] Con juntas
[11] Without gaskets/seals	[11] Sans joints	[11] Senza guarnizioni	[11] Sin juntas

293



88.00

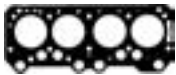
Petrol



XN1TACP (170D)	4 Cyl.	8:1	1971cc	62kW (84)PS	TD5194	1042
-----------------------	--------	-----	--------	--------------------	---------------	-------------

J5	09/90 → 02/94
-----------	---------------

BM530 Fibre Composite, 1.400mm							



BM530

294

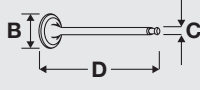

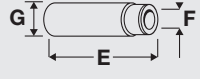





 **88.00**

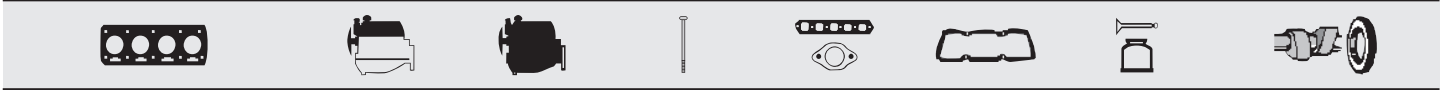
Petrol



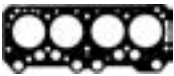
XN2 (107) 4 Cyl. 1971cc **78kW (106)PS** **TD2831** **1043**

504 01/71→08/84

 B x C x D				OE	MAT.		 E x F x G
V34459 	0948.33		30°	H	VAG51007 		
42.50 x 8.00 x 118.30		MB			55.00 x 8.00 x 14.06		
V34460 	0949.21		45°				
35.50 x 8.00 x 112.00		MD					



BM530 Fibre Composite, 1.400mm	DM530 [11]		HBS038 	JB841 	JN244	HR569 	
BN780 Fibre Composite, 1.600mm	DM533 ▲ [10]		M11x1.50x175.00mm (x10) 	 JE647			



BM530, BN780

[10] With gaskets/seals	[10] Avec joints	[10] Con guarnizioni	[10] Con juntas
[11] Without gaskets/seals	[11] Sans joints	[11] Senza guarnizioni	[11] Sin juntas

CITROEN/PEUGEOT

295



88.00

Petrol



829 (ZEJ) 4 Cyl. 9.2:1 1995cc 81kW (110)PS TD2911 1044

505 08/79→09/89

TB114 Length:1104.9mm Polychloroprene (Neoprene) Groove Distance:9.525 116x19 Eng.→53472 TB421 116x19 Eng.53473→, HNBR TB191 116x19 Eng.53473→	TBK015 Eng.→53472 Component No:TB114;AE1023TP TBK281 Eng.53473→ HNBR Component No:AE1023TP;TB421			FOL2	

B x C x D	OE	MAT.				E x F x G	
V90371 ■	0948 36	MB	30°	H		VAG92337 ■ ■	
44.00 x 8.00 x 112.00		MD	45°			51.00 x 8.00 x 13.30	
V91263 ■	95 536 523						
38.50 x 8.00 x 111.50							

BG170 Fibre Composite, 1.200mm	DG171 ○	HBS116 △ M12x1.50x243.00mm (x10)	JB954 ■	JN292	HR569 ■	NA5016 35.00x47.00x7.00mm FPM/ACM NF687 35.00x47.00x7.00mm FPM



BG170

296







 **88.00**

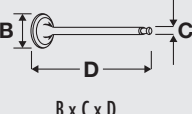



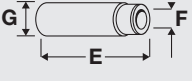
Petrol











829 A5 4 Cyl. 9.2:1 1995cc **78kW (106)PS** **TD4259** **1045**

CX 06/79→12/92

			 KIT		
TB421 116x19 HNBR	TBK281 HNBR Component No:AE1023TP;TB421				

				
V90371 ■ 44.00 x 8.00 x 112.00	OE 0948 36	MAT. 30°	H	VAG92337 ■ ■ 51.00 x 8.00 x 13.30
V91263 ■ 38.50 x 8.00 x 111.50	95 536 523	45°		

							
BH930 Fibre Composite, 1.200mm		GH930 ○ [10]		JB954 ■	JN292	HR569 ■	NF687 35.00x47.00x7.00mm FPM



BH930
[10] With gaskets/seals [10] Avec joints [10] Con guarnizioni [10] Con juntas

CITROEN/PEUGEOT

297



88.00

Petrol



851 (ZDJ) 4 Cyl. 9.8:1 2165cc 85kW (115)PS TD2908 1046

505 05/81→10/84



TB126 118x19 Eng.→32027 & 30138 TB422 118x19 Eng.32028 & 30139→, HNBR	TBK282 Eng.32028 & 30139→ Component No:TB422,AE1023TP		KIT	FOL2 (x8)	



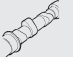



B x C x D	E x F x G
V90371 ■ 44.00 x 8.00 x 112.00	VAG92337 ■ ■ 51.00 x 8.00 x 13.30
V91263 ■ 38.50 x 8.00 x 111.50	
OE: 0948 36	
MAT. MB	
MAT. MD	
30°	
45°	
H	

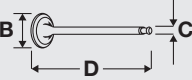

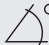

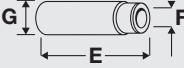





BG170 Fibre Composite, 1.200mm	DG171 ○		HB5302 ⊕ M12x1.50x204.00mm (x10)	JB954 ■	JN292	HR569 ■	NA5016 35.00x47.00x7.00mm FPM/ACM NF687 35.00x47.00x7.00mm FPM










BG170

298	 88.00	Petrol			
851B (ZDJL)	4 Cyl.	9.8:1	2165cc	90kW (122)PS	TD2909 1047
851X (ZDJL)	4 Cyl.	9.8:1	2165cc	84kW (114)PS	TD2910 1047
505	08/83→12/93				

					
TB126 118x19 Eng.→32027 & 30138	TBK282 Eng.32028 & 30139→ Component No:TB422;AE1023TP				
TB422 118x19 Eng.32028 & 30139→, HNBR					

				
B x C x D	OE	MAT.		E x F x G
V90371 	0948 36		30°	VAG92337 
44.00 x 8.00 x 112.00		MB		51.00 x 8.00 x 13.30
V91263 	95 536 523		45°	
38.50 x 8.00 x 111.50		MD		

						
BG170 Fibre Composite, 1.200mm	DG171 ○	HBS302 ⊕ M12x1.50x204.00mm (x10)	JB954 ⊞	JN292	HR569 ⊞	NA5016 35.00x47.00x7.00mm FPM/ACM NF687 35.00x47.00x7.00mm FPM



BG170

CITROEN/PEUGEOT

299



88.00

Petrol



J6T A500 4 Cyl. 9.8:1 2165cc 83/85kW (113/116)PS TD663 1048

CX 06/81→12/92

TB422 118x19 HNBR	TBK282 Component No:TB422;AE1023TP				

B x C x D	OE	MAT.	30°	H	E x F x G
V90371 ■ 44.00 x 8.00 x 112.00	0948 36		30°	H	VAG92337 ■ ■ ■ 51.00 x 8.00 x 13.30
V91263 ■ 38.50 x 8.00 x 111.50	95 536 523		45°		

BH930 Fibre Composite, 1.200mm		GH930 ○ [10]		JB954 ■	JN292	HR569 ■	NF687 35.00x47.00x7.00mm FPM



BH930
[10] With gaskets/seals [10] Avec joints [10] Con guarnizioni [10] Con juntas

300



88.00

Petrol



112 (ZM) V6 Cyl. 2664cc 100kW (136)PS TD2912 1049

604 08/77→05/83

B x C x D	OE	MAT.	30°	H	E x F x G
V90371 ■ 44.00 x 8.00 x 112.00	0948 36		30°	H	VAG92337 ■ ■ ■ 51.00 x 8.00 x 13.30

BG120 Fibre Composite, 1.200mm ■ BG130 Fibre Composite, 1.200mm ■	DG120 ■ ○ [10]	GG120 ○ [14]	HBS127 △ M12x1.50x178.00mm (x16)	LV864 ■ ■ ■ (x2) ■ JE646		HR805 ■	

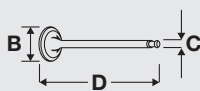
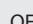









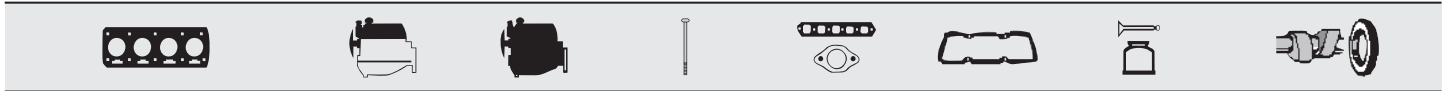
BG120 [10] With gaskets/seals [14] With gaskets/seals;With cylinder sleeve ring
BG130 [10] Avec joints [14] Avec joints;avec deux bagues de chemises de cylindre
 [10] Con guarnizioni [14] Con guarnizioni;con anello tenuta canna cilindro
 [10] Con juntas [14] Con juntas;con segmentos para camisa

301 88.00 **Petrol**

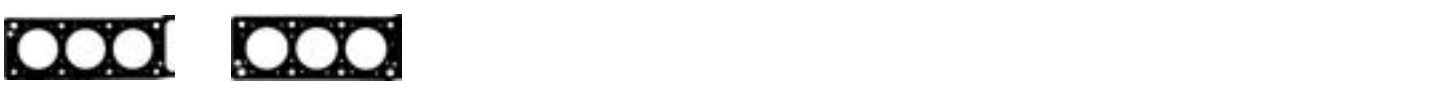
140 (ZMJ) V6 Cyl. 2664cc 106kW (144)PS TD2914 1049

504 10/77→08/84 604 08/77→05/83

					
B x C x D	OE	MAT.	30°	H	E x F x G
V90371 	0948 36				VAG92337 
44.00 x 8.00 x 112.00		MB			51.00 x 8.00 x 13.30



BG120 Fibre Composite, 1.200mm 	DG120  [10]	GG120  [14]	HBS127  M12x1.50x178.00mm (x16)	LV864   (x2)	HR805 
BG130 Fibre Composite, 1.200mm 					


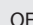






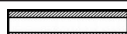


BG120 [10] With gaskets/seals [14] With gaskets/seals;With cylinder sleeve ring	BG130 [10] Avec joints [14] Avec joints;avec deux bagues de chemises de cylindre	[10] Con guarnizioni [14] Con guarnizioni;con anello tenuta canna cilindro	[10] Con juntas [14] Con juntas;con segmentos para camisa
--	---	---	--



302 90.00 **Diesel**

XD4.90 4 Cyl. 22:1 2112cc 48kW (65)PS TD2808 1050

504 02/71→07/86

					
B x C x D	OE	MAT.	45°	H	E x F x G
V90351 	0949.25				VAG92179 
33.50 x 8.50 x 116.20		MD			55.50 x 8.53 x 14.06



DG050  [11]	JB842 
[11] Without gaskets/seals [11] Sans joints	[11] Senza guarnizioni [11] Sin juntas

CITROEN/PEUGEOT

303



90.00

Diesel



XDP90 4 Cyl. 22.5:1 2112cc 42kW (57)PS TD8500 1053

J7 08/68 → 07/77

<p>B x C x D</p>	OE	MAT.	<p>45°</p>	<p>E x F x G</p>
V90351 33.50 x 8.50 x 116.20	0949.25	MD		VAG92179 55.50 x 8.53 x 14.06

BF580 Fibre Composite, 1.400mm Eng.2053777 → BN320 Fibre Composite, 1.580mm, 1 Notch Eng.2053777 →	DG050 ▲ [11] DF580 Eng.2053777 →	GF322 [10]		JB842 (x2) JE646	JN245	PA229 (x8)	



BF580, BN320

[10] With gaskets/seals [10] Avec joints [10] Con guarnizioni [10] Con juntas
[11] Without gaskets/seals [11] Sans joints [11] Senza guarnizioni [11] Sin juntas

304



90.00

Diesel



XDPX90 4 Cyl. 22.1:1 2112cc 41kW (55)PS TD8503 1054

J9 03/80 → 06/87

BF580 Fibre Composite, 1.400mm BN320 Fibre Composite, 1.580mm, 1 Notch	DF580 DG050 ▲ [11]	GF583		JB842 (x2)	JN245	PA229 (x8)	



BF580, BN320

[11] Without gaskets/seals [11] Sans joints [11] Senza guarnizioni [11] Sin juntas

305



90.00

Petrol



M22-617 4 Cyl. 9:1 2175cc 82kW (111)PS TD688 1055

CX 09/74 → 07/76

BF500 Fibre Composite, 1.200mm				JE651	JN234		NF741 29.00x46.00x10.00mm ACM



BF500

306	90.00	Diesel				
B22615	4 Cyl.	22.5:1	2175cc	45kW (61)PS	TD6897	1056
C35	11/73 → 01/80					

BF600 Fibre Composite, 1.350mm	DG542 ▲○ [11]		HBS017 △ M12x1.50x145.00mm (x8)	JB868 ■ (x4) JB869 ■ (x4)	JN253	HR340 ■	



BF600
 [11] Without gaskets/seals [11] Sans joints [11] Senza guarnizioni [11] Sin juntas

307	90.00	Diesel				
M22-621	4 Cyl.	22.5:1	2175cc	49kW (67)PS	TD689	1058
CX	10/75 → 02/79					

BF510 Fibre Composite, 1.350mm	DG452 ▲ [11]		HBS017 △ M12x1.50x145.00mm (x8)	JB868 ■ (x4) JB869 ■ (x4) ● JE651	JN253	HR340 ■	NF741 29.00x46.00x10.00mm ACM



BF510
 [11] Without gaskets/seals [11] Sans joints [11] Senza guarnizioni [11] Sin juntas

308	91.00	Petrol			
154A (ZMJK)	6 Cyl.	2849cc	110kW (150)PS	TD2913	1060
604	09/83 → 07/87				

B x C x D	OE	MAT.	30°	H	E x F x G
V90371 ■ 44.00 x 8.00 x 112.00	0948 36				VAG92337 ■ ■ ■ 51.00 x 8.00 x 13.30

			HBS127 △ M12x1.50x178.00mm (x16)			HR805 ■ → Eng.1889	HR569 ■ Eng.1890 →

CITROEN/PEUGEOT

309



91.00

Petrol



154X (ZN3J) V6 Cyl. 8.8:1 2849cc 105/114/125kW (143/155/170)PS TD2917 1061

505 06/86 → 12/93

<p>B x C x D</p>	OE	MAT.				<p>E x F x G</p>
V94198 34.95 x 5.98 x 108.45	0948.A5	 MB cr	45°		H	
V94199 30.55 x 5.98 x 106.95	0949.A5	 MD cr	45°	ss		

			HBS127 M12x1.50x178.00mm (x16)			HR805 → Eng.1889 HR569 Eng.1890 →	

310



91.70

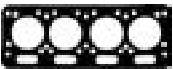
Petrol



176B (N9TE) 4 Cyl. 8:1 2155cc 114kW (155)PS Turbo TD2756 1062
 176W (N9TEA) 4 Cyl. 2155cc 128kW (174)PS Turbo TD13008 1062
 176X (N9TE) 4 Cyl. 8:1 2155cc 110kW (150)PS Turbo Intercooled TD2757 1062

505 03/84 → 12/88

BL610 Fibre Composite, 1.350mm				JC712			



BL610

311



92.00

Diesel

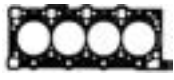


DJ5 (T9A)	4 Cyl.	24:1	2446cc	63kW (86)PS	TD4293	1063
DJ5 (T9A)	4 Cyl.	24:1	2446cc	63kW (86)PS	TD4830	1063
BOXER	03/94→04/02		JUMPER	03/94→04/02		

TB459 141x28	TBK029 Component No:TB459; AE1062TP;AE1063GP	CAM677		FOL116 (x8)	FOL109 (x8) TTP3 (x8)

B x C x D	OE	MAT.		E x F x G
V94062	0948.72		45°	VAG96046B
36.90 x 7.00 x 127.90		MB		54.00 x 7.04 x 13.08
V94063	0949.79		45° ss	
39.60 x 7.00 x 127.50		MG cr		

BY140 Fibre Composite	DY140 ▲ [10]			JD532		HR662
				JD531		NB645 35.00x50.00x7.00mm MVQ



BY140
[10] With gaskets/seals [10] Avec joints [10] Con guarnizioni [10] Con juntas

CITROEN/PEUGEOT

312



92.00

Diesel



DJST (T8A)	4 Cyl.	21:1	2446cc	76kW (103)PS	Turbo Intercooled	TD4292	1064
DJST (T8A)	4 Cyl.	21:1	2446cc	76kW (103)PS	Turbo Intercooled	TD4831	1064

BOXER	03/94→04/02	JUMPER	03/94→04/02
-------	-------------	--------	-------------

TB459 141x28	TBK029 Component No:TB459; AE1062TP;AE1063GP	CAM676		FOL116 (x12)	FOL109 (x12) TTP3 (x12)

B x C x D	OE	MAT.				E x F x G	
V94062 ■	0948.72		45°	H		VAG96046B ■ ■	
36.90 x 7.00 x 127.90		MB				54.00 x 7.04 x 13.08	
V94567 ■	0948.84		45°	H			
41.00 x 7.00 x 115.70		MB cr					
V94063 ■	0949.79		45°	ss	H		
39.60 x 7.00 x 127.50		MG cr					
V94566 ■	0949.90		45°	H			
37.80 x 7.00 x 115.40		MG cr					

BY140 Fibre Composite	DY140 ▲ [10]			JD532 ■ JD531 ■		HR662 ■	NB645 35.00x50.00x7.00mm MVQ



BY140
[10] With gaskets/seals [10] Avec joints [10] Con guarnizioni [10] Con juntas

313



92.00

Diesel



DJST (THZ)	4 Cyl.	22:1	2446cc	76kW (103)PS	Turbo Intercooled	TD6585	1065
------------	--------	------	--------	--------------	-------------------	--------	------

						HR662 ■	

314

92.00

Diesel



DJSTED (THX)	4 Cyl.		2446cc	79kW (107)PS	Turbo Intercooled	TD11067	1066
DJSTED (THX)	4 Cyl.	20:1	2446cc	79kW (107)PS	Turbo Intercooled	TD11889	1066

BOXER	01/97→04/02	JUMPER	12/96→04/02
-------	-------------	--------	-------------

TB525 147x32		CAM678			FOL118 (x8) TTP3 (x8)

B x C x D	OE	MAT.	45°	H	E x F x G
V94567 ■ 41.00 x 7.00 x 115.70	0948.84		45°	H	VAG96046B ■ ■ ■ 54.00 x 7.04 x 13.08
V94566 ■ 37.80 x 7.00 x 115.40	0949.90		45°	H	

AE5050 MLS	CE5050 ▲ [10]		HBS273 ⊕ M10x1.50x174.00mm (x8)			HR642 ■	NB959 35.00x50.00x7.00mm FPM



AE5050
 [10] With gaskets/seals [10] Avec joints [10] Con guarnizioni [10] Con juntas

CITROEN/PEUGEOT

315



92.00

Diesel



DK5ATE (THY)	4 Cyl.	22:1	2446cc	95kW (129)PS	Turbo Intercooled	TD2748	1067
DK5ATE (THY)	4 Cyl.	22:1	2446cc	95kW (129)PS	Turbo Intercooled	TD4294	1067

605 07/94→09/99 XM 05/94→10/00

TB459 141x28 TB574 106x19 Driven unit: balance shaft Length:1009.7mm Groove Distance:9.525	TBK029 Component No:TB459; AE1062TP;AE1063GP	CAM676	KIT	FOL116 (x12)	FOL109 (x12) TTP3 (x12)

V94062 ■ 36.90 x 7.00 x 127.90	V94063 ■ 39.60 x 7.00 x 127.50	VAG96046B ■ ■ ■ 54.00 x 7.04 x 13.08
OE: 0948.72	OE: 0949.79	
MAT: MB	MAT: MG cr	
45°	45° ss	
H	H	

BY140 Fibre Composite	DY140 ▲ [10]	HBS114 ☉ M10x1.50x148.00mm (x8)	JD532 ■ JD531 ■	HR788 ■	NB959 ■ 35.00x50.00x7.00mm FPM



BY140
[10] With gaskets/seals [10] Avec joints [10] Con guarnizioni [10] Con juntas

316



93.00

Petrol





M25-659	4 Cyl.		2500cc	100kW (136)PS		TD695	1068
M25-662	4 Cyl.		2500cc	122kW (166)PS	Turbo	TD697	1068
M25-667	4 Cyl.	8.5:1	2500cc	115kW (156)PS	Turbo Intercooled	TD700	1068
M25-668	4 Cyl.		2500cc	89-98kW (121-133)PS		TD701	1068

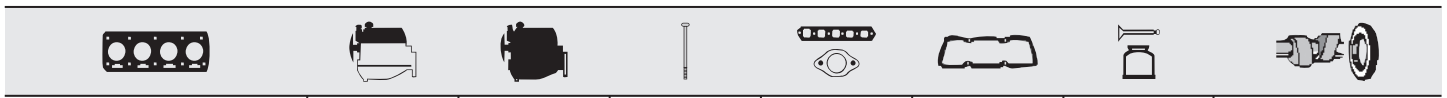
CX 07/83→12/92

BR280 Fibre Composite, 1.400mm	JB868 ■ JB869 ■ ☉JE651	JN234	HR340 ■	NF741 29.00x46.00x10.00mm ACM



BR280



317	 93.00	Diesel				
B25637	4 Cyl.	22.25:1	2500cc	51kW (69)PS	TD6895	1069
C35	02/80 → 01/94					

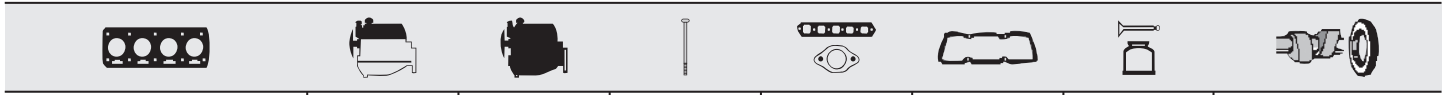


BG540 Fibre Composite, 1.350mm	DG542 ▲○ [11]	GG541 ○ [10]	HBS017 ▲ M12x1.50x145.00mm (x8)	JB868 ■ (x4) JB869 ■ (x4)	JN253 JN426	HR340 ■
---------------------------------------	----------------------	---------------------	---	--	------------------------------	----------------





BG540
 [10] With gaskets/seals [10] Avec joints [10] Con guarnizioni [10] Con juntas
 [11] Without gaskets/seals [11] Sans joints [11] Senza guarnizioni [11] Sin juntas

318	 93.00	Diesel				
CRD93	4 Cyl.	22.25:1	2500cc	54kW (73)PS	TD21168	1070
J5	09/81 → 01/94					

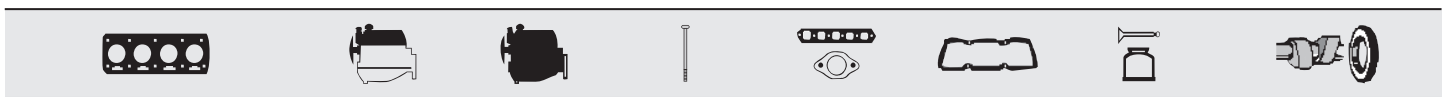


				JB869 ■	JN426	
--	--	--	--	----------------	--------------	--

319	 93.00	Diesel				
CRD93 (U25/661)	4 Cyl.	22.25:1	2500cc	54kW (73)PS	TD2747	1070
J5	09/81 → 03/94					





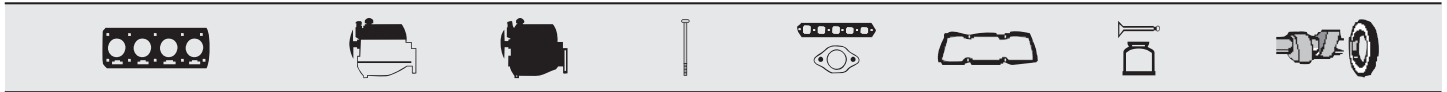
TB227 118x31.8 TB177 62x19 Driven unit: injection pump	TBK054 Driven unit: camshaft; Driven unit: injection pump Component No:TB177;AE1008TP TBK049 Driven unit: camshaft Component No:TB227;AE1024TP					
--	--	--	--	--	--	--



BG450 Fibre Composite, 1.350mm			HBS017 ▲ M12x1.50x145.00mm (x8)	JB869 ■	JN426	
---------------------------------------	--	--	---	----------------	--------------	--



320	 93.00	Diesel				
CRD93B	4 Cyl.	22.25:1	2500cc	50kW (68)PS	TD6577	1071



					JN426	
--	--	--	--	--	--------------	--

CITROEN/PEUGEOT

321



93.00

Diesel



CRD93L (U25-661) 4 Cyl. 22.5:1 2500cc 54-55kW (73-75)PS TD625 1072

C25 11/81→02/94

TB227 118x31.8 TB177 62x19 Driven unit: injection pump	TBK049 Component No:TB227;AE1024TP TBK054 Driven unit: camshaft; Driven unit: injection pump Component No:TB177;AE1008TP	CAM718 01/89→			

BG450 Fibre Composite, 1.350mm		FY291 ▲ [12]		JB869 ▣	JN426		NP068 55.00x70.00x8.00mm FPM



BG450
[12] Without crankshaft seal [12] Sans bague d'étanchéité - vilebrequin [12] Con paraolio-albero a gomiti [12] Con árbol retén

322



93.00

Diesel



CRD93LS (U25/673) 4 Cyl. 22.5:1 2500cc 70kW (95)PS Turbo TD4829 1073

CRD93LS (U25-673) 4 Cyl. 22.5:1 2500cc 70kW (95)PS Turbo TD626 1073

M25-669 4 Cyl. 21.25:1 2500cc 88kW (120)PS Turbo Intercooled TD702 1078



C25 01/87→02/94 CX 01/87→12/92 J5 09/81→03/94










TB227 118x31.8 TB177 62x19 Driven unit: injection pump	TBK049 Component No:TB227;AE1024TP TBK054 Driven unit: camshaft; Driven unit: injection pump Component No:TB177;AE1008TP				

BL830 Fibre Composite, 1.800mm	DL831 ▲ [11]	GL830 [10]	HBS017 △ M12x1.50x145.00mm (x8)	JB868 ▣ (x4) JB869 ▣ (x4)	JN426	HR340 ▣	NF741 29.00x46.00x10.00mm ACM





BL830
[10] With gaskets/seals [10] Avec joints [10] Con guarnizioni [10] Con juntas
[11] Without gaskets/seals [11] Sans joints [11] Senza guarnizioni [11] Sin juntas







323	 93.00	Diesel				
M25-629	4 Cyl.	22.25:1	2500cc	55kW (75)PS	TD693	1075
CX	02/78 → 08/85					









							
BG450 Fibre Composite, 1.350mm	DG452 ▲ [11]	GG451 ○ [10]	HBS017 △ M12x1.50x145.00mm (x8)	JB868 ■ (x4) JB869 ■ (x4)  JE651	JN426	HR340 ■	NF741 29.00x46.00x10.00mm ACM



BG450
 [10] With gaskets/seals [10] Avec joints [10] Con guarnizioni [10] Con juntas
 [11] Without gaskets/seals [11] Sans joints [11] Senza guarnizioni [11] Sin juntas

324	 93.00	Diesel					
M25-648	4 Cyl.	21:1	2500cc	70kW (95)PS	Turbo	TD694	1076
CX	04/83 → 12/86						

					
TB227 118x31.8 TB177 62x19 Driven unit: injection pump	TBK049 Component No:TB227;AE1024TP TBK054 Driven unit: camshaft; Driven unit: injection pump Component No:TB177;AE1008TP		KIT		

							
BL830 Fibre Composite, 1.800mm	DL831 ▲ [11]	GL830 [10]		JB868 ■ (x4) JB869 ■ (x4)	JN426	HR340 ■	NF741 29.00x46.00x10.00mm ACM



BL830
 [10] With gaskets/seals [10] Avec joints [10] Con guarnizioni [10] Con juntas
 [11] Without gaskets/seals [11] Sans joints [11] Senza guarnizioni [11] Sin juntas

CITROEN/PEUGEOT

325


93.00
Diesel


M25-660	4 Cyl.	22.25:1	2500cc	54kW (73)PS	TD696	1077
---------	--------	---------	--------	-------------	-------	------

CX	08/85 → 12/92
----	---------------

TB227 118x31.8	TBK049 Component No:TB227;AE1024TP		KIT		
TB177 62x19 Driven unit: injection pump	TBK054 Driven unit: camshaft; Driven unit: injection pump Component No:TB177;AE1008TP				

BG450 Fibre Composite, 1.350mm	DG452 ▲ [11]	GG452 ○ [10]	HBS017 △ M12x1.50x145.00mm (x8)	JB868 ■ (x4) JB869 ▣ (x4) JE651	JN426	HR340 ▣	NF741 29.00x46.00x10.00mm ACM



BG450	[10] With gaskets/seals	[10] Avec joints	[10] Con guarnizioni	[10] Con juntas
	[11] Without gaskets/seals	[11] Sans joints	[11] Senza guarnizioni	[11] Sin juntas

326


93.00
Petrol


ZPJ (UFZ)	V6 Cyl.	9.5:1	2963cc	123kW (167)PS	TD2920	1080
ZPJ/Z (UFZ)	6 Cyl.	9.5:1	2963cc	123-125kW (167-170)PS	TD735	1079
ZPJ4/Z (UKZ)	V6 Cyl.	9.5:1	2963cc	147kW (200)PS	TD2921	1080
ZPJ4/Z (UKZ)	V6 Cyl.	9.5:1	2963cc	147kW (200)PS	TD736	1079

605	08/89 → 09/99	XM	05/89 → 10/00
-----	---------------	-----------	---------------

			HBS127 △ M12x1.50x178.00mm (x16)				NF869 (x2) 32.00x45.00x8.00mm FPM

327


93.50
Petrol




M23-622	4 Cyl.		2347cc	94kW (128)PS	TD690	1082
---------	--------	--	--------	--------------	-------	------





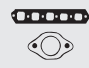




CX	06/77 → 06/83
----	---------------

BH990 Fibre Composite, 1.200mm		GH991 ○ [10]		JE651	JN234	HR340 ▣	NF741 29.00x46.00x10.00mm ACM














BH990	[10] With gaskets/seals	[10] Avec joints	[10] Con guarnizioni	[10] Con juntas
--------------	-------------------------	------------------	----------------------	-----------------

328	 93.50	Petrol				
M23-623	4 Cyl.	2347cc	85kW (115)PS	TD691	1082	
M23-639	4 Cyl.	8.75:1	2347cc	88kW (120)PS	TD692	1083
CX	08/76→05/82					



							
BH990 Fibre Composite, 1.200mm				JE651	JN234	HR340 	NF741 29.00x46.00x10.00mm ACM

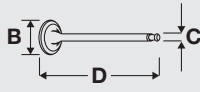
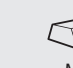
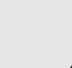
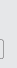
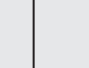

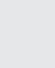
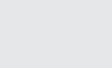











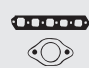








329	 94.00	Diesel				
XD2	4 Cyl.	22.2:1	2304cc	44-53kW (60-72)PS	TD22473	1084
505	05/79→09/84					

							
	DG050  [11]						

[11] Without gaskets/seals [11] Sans joints [11] Senza guarnizioni [11] Sin juntas

330	 94.00	Diesel				
XD2 (134)	4 Cyl.	22.2:1	2304cc	51kW (69)PS	TD2800	1085
504	07/75→12/89					



							
V90351 	0949.25	MAT.	45°		VAG92179  		
33.50 x 8.50 x 116.20					55.50 x 8.53 x 14.06		

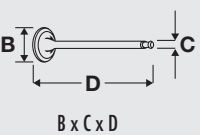



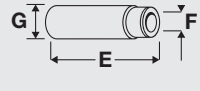

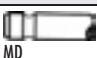

							
BP890 Fibre Composite, 1.530mm, 2 Notches BP900 Fibre Composite, 1.630mm, 3 Notches BP910 Fibre Composite, 1.730mm, 4 Notches	DG050  [11]	GG050  	HBS015  M11x1.50x120.00mm (x7)	JB842  (x2)	JN245		












BP890, BP900, BP910
[11] Without gaskets/seals [11] Sans joints [11] Senza guarnizioni [11] Sin juntas

CITROEN/PEUGEOT

331	 94.00	Diesel				
XD2P94	4 Cyl.	22.2:1	2304cc	49kW (67)PS	TD8501	1086
XD2PX94	4 Cyl.	22.2:1	2304cc	49kW (67)PS	TD8504	1087
J7	07/77→03/80	J9	03/80→07/82			








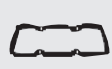



 B x C x D	OE	 MAT.	 45°		 E x F x G
V90351 	0949.25	 MD			VAG92179 
33.50 x 8.50 x 116.20					55.50 x 8.53 x 14.06



							
BP890 Fibre Composite, 1.530mm, 2 Notches	DG050 ▲ [11]	GG050 ▲ ○	HBS015 ▲	JB842  (x2)	JN245		
BP900 Fibre Composite, 1.630mm, 3 Notches	DG052 ▲		M11x1.50x120.00mm (x7)				
BP910 Fibre Composite, 1.730mm, 4 Notches							

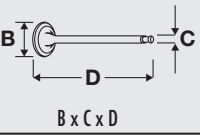



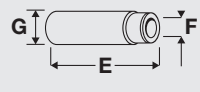

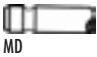












BP890, BP900, BP910



[11] Without gaskets/seals [11] Sans joints [11] Senza guarnizioni [11] Sin juntas










332	 94.00	Diesel					
XD2S	4 Cyl.	21:1	2304cc	54-59kW (73-80)PS	Turbo	TD22474	1088
							
				JC091 			

333	 94.00	Diesel					
XD2S (147)	4 Cyl.	21:1	2304cc	59kW (80)PS	Turbo	TD2802	1089
505	09/80→06/86	604	09/79→05/83				

 B x C x D	OE	 MAT.	 45°		 E x F x G
V90351 	0949.25	 MD			VAG92179 
33.50 x 8.50 x 116.20					55.50 x 8.53 x 14.06

							
				JC091 			

334	 94.00	Diesel				
CRD93L	4 Cyl.	22.25:1	2498cc	70kW (95)PS	TD18876	1090
J5	09/81→01/94					

							
				JB869 	JN426		

335	94.00	Diesel					
EN 55	4 Cyl.	23:1	2498cc	53-56kW (72-76)PS	TD6685	1091	
BN260 BT800 Fibre Composite			HBS008 M12x1.75x92.00mm (x18)	JD064 JD066	JM5027 (Steel Elastomer) JN821 [22] (Cork)	HR5064	NB856 47.62x66.50x11.00mm PTFE
BT800 [22] Bolt Size: 6mm	[22] Boulon taille: 6mm	[22] Bulloni dimensione: 6mm	[22] Perno tamaño: 6mm				

336	94.00	Diesel					
ET 70	4 Cyl.	21:1	2498cc	71kW (96)PS	Turbo	TD6686	1092
BN260 BT800 Fibre Composite			HBS008 M12x1.75x92.00mm (x18)	JD065 JD066	JM5027 (Steel Elastomer) JN821 [22] (Cork)	HR5064	NB856 47.62x66.50x11.00mm PTFE
BT800 [22] Bolt Size: 6mm	[22] Boulon taille: 6mm	[22] Bulloni dimensione: 6mm	[22] Perno tamaño: 6mm				

337	94.00	Diesel				
XD3 (155)	4 Cyl.	23:1	2498cc	51-55kW (70-75)PS	TD2803	1093
505	06/81 → 12/93					
V91151 42.52 x 8.48 x 115.92	0948.53	 MB	45°	H	VAG92179 55.50 x 8.53 x 14.06	
V91152 35.48 x 8.47 x 116.30	0949.50	 MG cr	45°	H		
	DH890 [11]					
[11] Without gaskets/seals	[11] Sans joints	[11] Senza guarnizioni	[11] Sin juntas			

CITROEN/PEUGEOT

338


94.00
Diesel


XD3P	4 Cyl.	23:1	2498cc	53kW (72)PS	TD8505	1093
-------------	--------	------	--------	--------------------	---------------	-------------

J9	07/82→06/87
-----------	-------------

B x C x D	OE	MAT.	45°	H		E x F x G
V91151 ■	0948.53		45°	H		VAG92179 ■ ■ ■
42.52 x 8.48 x 115.92		MB				55.50 x 8.53 x 14.06
V91152 ■	0949.50		45°	H		
35.48 x 8.47 x 116.30		MG cr				

	DH890 ▲ [11]		HBS016 △				
			M11x1.50x120.00mm (x7)				
			09/87→				
[11] Without gaskets/seals	[11] Sans joints	[11] Senza guarnizioni	[11] Sin juntas				

339


94.00
Diesel


XD3T	4 Cyl.	21:1	2498cc	66-70kW (90-95)PS	Turbo Intercooled	TD22475	1094
-------------	--------	------	--------	--------------------------	--------------------------	----------------	-------------

XD3T (152A)	4 Cyl.	21:1	2498cc	66kW (89)PS	Turbo	TD2805	1094
--------------------	--------	------	--------	--------------------	--------------	---------------	-------------

505	10/83→12/93	604	08/83→12/86
------------	-------------	------------	-------------

B x C x D	OE	MAT.	45°	H		E x F x G
V91151 ■	0948.53		45°	H		VAG92179 ■ ■ ■
42.52 x 8.48 x 115.92		MB				55.50 x 8.53 x 14.06
V91152 ■	0949.50		45°	H		
35.48 x 8.47 x 116.30		MG cr				



	DG052 ▲		GG052 ▲ [10]		JC091 ■		
[10] With gaskets/seals	[10] Avec joints	[10] Con guarnizioni	[10] Con juntas				



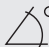



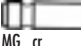
340






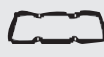



94.00
Diesel


XD3TE	4 Cyl.	21:1	2498cc	54-77kW (73-105)PS	Turbo Intercooled	TD22476	1095
--------------	--------	------	--------	---------------------------	--------------------------	----------------	-------------

	DG052 ▲		GG052 ▲ [10]		JC091 ■		
[10] With gaskets/seals	[10] Avec joints	[10] Con guarnizioni	[10] Con juntas				



341	 94.00	Diesel			
XD3TE (152B)	4 Cyl.	21:1	2498cc	77kW (105)PS	Turbo
505	10/86 → 12/93				
			TD2806 1096		









					
B x C x D	OE	MAT.	45°	H	E x F x G
V91151 ■	0948.53		45°	H	VAG92179 ■ ■ ■
42.52 x 8.48 x 115.92		MB			55.50 x 8.53 x 14.06
V91152 ■	0949.50		45°	H	
35.48 x 8.47 x 116.30		MG cr			

							
BP890 Fibre Composite, 1.530mm, 2 Notches	DG052 ▲	GG052 ▲○ [10] GM310 ▲ [10]	HBS015 △ M11x1.50x120.00mm (x7)	JC091 ■	JN245	PA229 (x8)	
BP900 Fibre Composite, 1.630mm, 3 Notches							
BP910 Fibre Composite, 1.730mm, 4 Notches							



BP890, BP900, BP910
 [10] With gaskets/seals [10] Avec joints [10] Con guarnizioni [10] Con juntas

342	 94.40	Diesel			
8140.43 (F28DT)	4 Cyl.	18.5:1	2498cc	90kW (122)PS	Turbo
					TD21169 1097

							
BX400 Fibre Composite, 1.300mm				JC054 ■ (x4) JC055 ■ (x4)			
BX410 Fibre Composite, 1.400mm							
BX420 Fibre Composite, 1.500mm							



BX400, BX410, BX420

343



94.40

Diesel



8140.43N 4 Cyl. 18.5:1 2498cc 107kW (146)PS Turbo Intercooled TD18297 1098

JUMPER 05/04→

TB368 152x30 HNBR	TBK037 Component No:TB368; AE1011TP;AE1010GP	CAM681			FOL169 (x8) [1]
[1] Mechanical	[1] Mécanique	[1] Meccanico	[1] Mecánico		

B x C x D	E x F x G
V91292 ■ 40.80 x 8.00 x 120.70	VAG92373 ■ 56.00 x 8.03 x 13.04
V91994 ■ 35.80 x 8.00 x 121.90	VAG92444 ■ 56.00 x 8.00 x 13.04
	VAG92369 ■ 60.00 x 8.00 x 13.07
	VAG92445 ■ 60.00 x 8.00 x 13.04

BX390 Fibre Composite, 1.200mm		GX392 ▲ [10]	HBS255 ① M12x1.25x90.00mm (x8)	JC054 ■ (x4)	JP069	HR602 ■	NP068 55.00x70.00x8.00mm FPM
BX400 Fibre Composite, 1.300mm				JC055 ■ (x4)			
BX410 Fibre Composite, 1.400mm				JF123			
BX420 Fibre Composite, 1.500mm							



BX390, BX400, BX410, BX420

[10] With gaskets/seals [10] Avec joints [10] Con guarnizioni [10] Con juntas

344

94.40

Diesel



8140.43N 4 Cyl. 18.5:1 2498cc 107kW (146)PS Turbo Intercooled TD24923 1098

BOXER 04/04→

TB368 152x30 HNBR	TBK037 Component No:TB368; AE1011TP;AE1010GP	CAM681	KIT	FOL169 (x8) [1]
[1] Mechanical	[1] Mécanique	[1] Meccanico	[1] Mecánico	

B x C x D	E x F x G
OE	
MAT.	
30°	
Y	
H	
V91292 ■	VAG92373 ■
40.80 x 8.00 x 120.70	56.00 x 8.03 x 13.04
V91994 ■	VAG92444 ■
35.80 x 8.00 x 121.90	56.00 x 8.00 x 13.04
0948.A2	VAG92369 ■
0949.A0	60.00 x 8.00 x 13.07
	VAG92445 ■
	60.00 x 8.00 x 13.04

BX390 Fibre Composite, 1.200mm	GX392 ▲ [10]	HBS255 ①	JC054 ■ (x4)	JP069	HR602 ■	NP068
BX400 Fibre Composite, 1.300mm		M12x1.25x90.00mm (x8)	JC055 ■ (x4)			55.00x70.00x8.00mm FPM
BX410 Fibre Composite, 1.400mm						
BX420 Fibre Composite, 1.500mm						



BX390, BX400, BX410, BX420

[10] With gaskets/seals [10] Avec joints [10] Con guarnizioni [10] Con juntas

CITROEN/PEUGEOT

345



94.40

Diesel



8140.43S (F28DTCR) Euro 3	4 Cyl.	18.5:1	2798cc	92kW (125)PS	Turbo Intercooled	TD17514	1098
8140.43S Euro 3	4 Cyl.	18:1	2798cc	92kW (125)PS	Turbo Intercooled	TD17849	1098

BOXER	10/00 →	JUMPER	09/00 →
-------	---------	--------	---------

TB368 152x30 HNBR	TBK037 Component No:TB368; AE1011TP;AE1010GP	CAM681	KIT	FOL169 (x8) [1]
[1] Mechanical	[1] Mécanique	[1] Meccanico	[1] Mecánico	

V91292 ■ 40.80 x 8.00 x 120.70	V91994 ■ 35.80 x 8.00 x 121.90	VAG92373 ■ 56.00 x 8.03 x 13.04	VAG92444 ■ 56.00 x 8.00 x 13.04	VAG92369 ■ 60.00 x 8.00 x 13.07	VAG92445 ■ 60.00 x 8.00 x 13.04
OE: 0948.A2	OE: 0949.A0	MAT. MB cr	MAT. MD cr	30° Y H	45°

BX390 Fibre Composite, 1.200mm BX400 Fibre Composite, 1.300mm BX410 Fibre Composite, 1.400mm BX420 Fibre Composite, 1.500mm	DX392 ▲	GX392 ▲ [10]	HBS255 ① M12x1.25x90.00mm (x8)	JC054 ■ (x4) JC055 ■ (x4) ② JF123	JP069	HR602 ■	NP068 55.00x70.00x8.00mm FPM	



BX390, BX400, BX410, BX420

[10] With gaskets/seals [10] Avec joints [10] Con guarnizioni [10] Con juntas

346



94.40

Diesel



8140.63 (F28D)	4 Cyl.	21:1	2798cc	64kW (87)PS		TD24917	1099
8140.63 (F28D)	4 Cyl.	21:1	2798cc	64kW (87)PS		TD24977	1099

BOXER	01/99 → 02/02	JUMPER	01/99 → 02/02
-------	---------------	--------	---------------

BX390 Fibre Composite, 1.200mm BX400 Fibre Composite, 1.300mm BX410 Fibre Composite, 1.400mm BX420 Fibre Composite, 1.500mm	DX392 ▲	GX392 ▲ [10]	HBS255 ① M12x1.25x90.00mm (x8)	JC054 ■ (x4) JC055 ■ (x4)	JP069	HR602 ■	NP068 55.00x70.00x8.00mm FPM NP067 50.00x70.00x10.00mm FPM	



BX390, BX400, BX410, BX420

[10] With gaskets/seals [10] Avec joints [10] Con guarnizioni [10] Con juntas

347

94.40

Diesel



F28TDCR Euro 3

4 Cyl.

18:1

2798cc

92kW (125)PS

Turbo Intercooled

TD16741

1098

JUMPER

02/02 → 06/06

TB368 152x30 HNBR	TBK037 Component No:TB368; AE1011TP;AE1010GP		KIT		

BX400 Fibre Composite, 1.300mm BX410 Fibre Composite, 1.400mm BX420 Fibre Composite, 1.500mm			HBS255 M12x1.25x90.00mm (x8)	JC054 (x4) JC055 (x4)	JP069	HR602	NP068 55.00x70.00x8.00mm FPM



BX400, BX410, BX420

RENAULT/DACIA

348



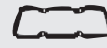
58.00

Petrol



800	4 Cyl.	8:1	845cc	27kW (37)PS	TD3023	1103
800 01	4 Cyl.	8:1	845cc	25kW (34)PS	TD3024	1103
800 705	4 Cyl.	8:1	845cc	27kW (37)PS	TD4852	1103
B1B 707	4 Cyl.	8:1	845cc	21kW (29)PS	TD4855	1103

4	10/62→07/89	RODEO 4	08/71→11/81
---	-------------	---------	-------------



BF350 Fibre Composite, 1.500mm



BF350

349



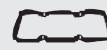
58.00

Petrol



800 710	4 Cyl.	8:1	845cc	27kW (37)PS	TD3028	1104
---------	--------	-----	-------	-------------	--------	------

5	10/72→12/84
---	-------------



BF350 Fibre Composite, 1.500mm

DF351 ○ [11]

GF356 ○ [18]

JB850 ■ (x2)

JN251



BF350

[11] Without gaskets/seals

[11] Sans joints

[11] Senza guarnizioni

[11] Sin juntas

[18] With cylinder sleeve ring

[18] Avec deux bagues de chemises de cylindre

[18] Con anello tenuta canna cilindro

[18] Con segmentos para camisa

350



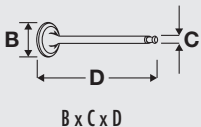
65.00

Petrol



C1C 700	4 Cyl.	956cc	30kW (41)PS	TD3097	1110
C1C 706	4 Cyl.	949cc	27-30kW (37-42)PS	TD3098	1106
C1C 708	4 Cyl.	956cc	25kW (34)PS	TD3099	1106

4	06/87→12/93	RAPID	09/85→05/92	SUPER 5	10/84→10/88
---	-------------	-------	-------------	---------	-------------



OE



MAT.



45°



H

V35117 ■

7701 458 180



MB

33.38 x 6.99 x 89.79

V91834 ■

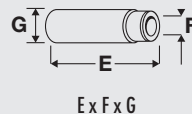
7701 460 690



MD

29.00 x 7.00 x 89.00

45°



VAG50758 ■ ■

41.50 x 7.00 x 11.15



BH680 Fibre Composite, 1.200mm

DH683 ■ ○

HBS104 △

JC669

JN600

HR646 ■

BM790 Fibre Composite, 1.750mm

DH687 [11]

M10x1.50x100.00mm (x10)





BH680, BM790









[11] Without gaskets/seals

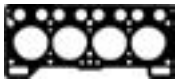
[11] Sans joints

[11] Senza guarnizioni



[11] Sin juntas

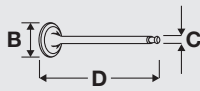




351	 65.00	Petrol				
689.01	4 Cyl.	8.5:1	956cc	29kW (39)PS	TD21063	1107

							
BH680 Fibre Composite, 1.200mm	DH681 ○	GH681 ○ [13]			JN600		NF535 30.00x42.00x8.00mm NBR



BH680
 [13] Without crankshaft seal; With cylinder sleeve ring
 [13] Sans bague d'étanchéité - vilebrequin; avec deux bagues de chemises de cylindre
 [13] Senza paraolio-albero a gomiti; con anello tenuta canna cilindro
 [13] Sin cigüeñal retén; con segmentos para camisa



352	 65.00	Petrol				
689 71	4 Cyl.		956cc	32-33kW (44-45)PS	TD3016	1108

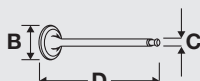

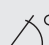

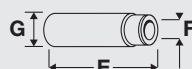
	OE				
V90361 ■ 29.00 x 7.00 x 89.00		MD	45°		VAG50758 ■ ■ 41.50 x 7.00 x 11.15









							
BH680 Fibre Composite, 1.200mm	DH681 ○	GH681 ○ [13]	HBS104 △ M10x1.50x100.00mm (x10)	JB851	JN600		NF535 30.00x42.00x8.00mm NBR



BH680
 [13] Without crankshaft seal; With cylinder sleeve ring
 [13] Sans bague d'étanchéité - vilebrequin; avec deux bagues de chemises de cylindre
 [13] Senza paraolio-albero a gomiti; con anello tenuta canna cilindro
 [13] Sin cigüeñal retén; con segmentos para camisa

353	 65.00	Petrol				
689 710	4 Cyl.	9.25:1	956cc	32kW (44)PS	TD3017	1109
4	12/85→06/93		5	01/72→12/85		

	OE				
V35117 ■ 33.38 x 6.99 x 89.79	7701 458 180	MB	45°	H	

							
BH680 Fibre Composite, 1.200mm	DH681 ○	GH681 ○ [13]	HBS104 △ M10x1.50x100.00mm (x10)	JB851	JN600		NF535 30.00x42.00x8.00mm NBR



BH680
 [13] Without crankshaft seal; With cylinder sleeve ring
 [13] Sans bague d'étanchéité - vilebrequin; avec deux bagues de chemises de cylindre
 [13] Senza paraolio-albero a gomiti; con anello tenuta canna cilindro
 [13] Sin cigüeñal retén; con segmentos para camisa

RENAULT/DACIA

354

 **65.00**

Petrol



C1C 754 4 Cyl. 8.6:1 956cc 24kW (33)PS TD22353 **1111**



BH680 Fibre Composite, 1.200mm
BM790 Fibre Composite, 1.750mm

DH683
DH687 [11]

JC669

JN600

HR646



BH680, BM790

[11] Without gaskets/seals [11] Sans joints [11] Senza guarnizioni [11] Sin juntas

355

 **69.00**

Petrol

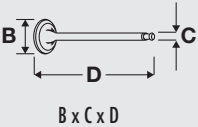


D4F 702	4 Cyl.	9.8:1	1149cc	55kW (75)PS	TD16272	1112
D4F 712	4 Cyl.	9.8:1	1149cc	55kW (75)PS	TD16186	1113
D4F 714	4 Cyl.	9.8:1	1149cc	55kW (75)PS	TD16187	1113
D4F 716	4 Cyl.	9.8:1	1149cc	55kW (75)PS	TD17270	1113
D4F 722	4 Cyl.	9.8:1	1149cc	55kW (75)PS	TD19671	1113

CLIO 06/01 → KANGOO 06/01 → THALIA 04/02 →
TWINGO 01/01 →



TB712 95x23.4	TBK315 Component No:TB712;AE1139TP				
------------------	---------------------------------------	--	--	--	--



OE



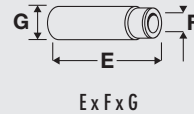
MAT.



45°



H



V94705 <input checked="" type="checkbox"/> 26.00 x 5.50 x 110.80	8200 343 407		45°		VAG96292B <input checked="" type="checkbox"/> <input checked="" type="checkbox"/> 40.60 x 5.50 x 11.07
V94706 <input checked="" type="checkbox"/> 22.00 x 5.50 x 112.50	8200 343 412		45°	H	



AD5980 MLS	CD5980 CD5981 →Eng.030820		HBS283 <input checked="" type="checkbox"/> M9x1.25x122.00mm (x10)	JD5885 <input checked="" type="checkbox"/> JD5884 <input checked="" type="checkbox"/>	JM5185	NA5261 28.00x47.00x8.00mm PTFE/ACM
------------	---------------------------------	--	--	--	--------	---------------------------------------



AD5980

356	69.00	Petrol				
D4F 704	4 Cyl.	9.8:1	1149cc	55kW (75)PS	TD16273	1112
	OE	MAT.				
V94705	8200 343 407		45°	VAG96292B		
26.00 x 5.50 x 110.80				40.60 x 5.50 x 11.07		
V94706	8200 343 412		45°	H		
22.00 x 5.50 x 112.50						

AD5980 MLS	CD5980 CD5981 →Eng.030820		HBS283 M9x1.25x122.00mm (x10)	JD5885 JD5884	JM5185		NA5261 28.00x47.00x8.00mm PTFE/ACM



AD5980

357	69.00	Petrol				
D4F 706	4 Cyl.	9.8:1	1149cc	55kW (75)PS	TD21205	1113
D4F 728	4 Cyl.	9.8:1	1149cc	55kW (75)PS	TD21206	1113
D4F 730	4 Cyl.	9.8:1	1149cc	55kW (75)PS	TD21207	1113

CLIO	06/01 →	KANGOO	10/01 →	THALIA	09/08 →
TB712 95x23.4	TBK315 Component No:TB712;AE1139TP		KIT		

AD5980 MLS	CD5980 CD5981 →Eng.030820		HBS283 M9x1.25x122.00mm (x10)	JD5885 JD5884	JM5185		NA5261 28.00x47.00x8.00mm PTFE/ACM



AD5980

RENAULT/DACIA

358



69.00

Petrol



D4F 708 Euro 3

4 Cyl.

9.8:1

1149cc

44kW (60)PS

TD19014

1113

TWINGO

08/04 →

TB482 87x17	TBK092 Component No:TB482;AE1069TP				

AD5980 MLS	CD5980 CD5981 →Eng.030820		HBS283 ☹ M9x1.25x122.00mm (x10)	JD5885 ■ JD5884 ■	JM5185		NA5261 28.00x47.00x8.00mm PTFE/ACM



AD5980

359



69.00

Petrol



D4F 732

4 Cyl.

9.8:1

1149cc

55kW (75)PS

TD23529

1112

D4F 734

4 Cyl.

1149cc

55kW (75)PS

TD28221

LOGAN

02/06 →

SANDERO

11/08 →

TB712 95x23.4	TBK315 Component No:TB712;AE1139TP				

360	69.00	Petrol				
D4F 740	4 Cyl.	9.8:1	1149cc	55kW (75)PS	TD18421	1112
D4F 742	4 Cyl.	9.8:1	1149cc	55kW (75)PS	TD24895	1112
D4F 764	4 Cyl.	10.6:1	1149cc	57kW (77)PS	TD18530	1112
D4F 772	4 Cyl.	9.8:1	1149cc	56kW (76)PS	TD20444	1112
CLIO	06/05→	CLIO Grandtour	02/08→	MODUS / GRAND MODUS 12/04→		
TWINGO	03/07→					

TB712	TBK315		KIT		
95x23.4	Component No:TB712;AE1139TP				

B x C x D	E x F x G
V94705	VAG96292B
26.00 x 5.50 x 110.80	40.60 x 5.50 x 11.07
V94706	
22.00 x 5.50 x 112.50	
OE	
MAT.	
8200 343 407	
8200 343 412	
45°	
45°	
	H

AD5980 MLS	CD5980	HBS283	JD5885	JM7053 (ACM)	NA5261
		M9x1.25x122.00mm (x10)	JD5884		28.00x47.00x8.00mm PTFE/ACM



AD5980

361	69.00	Petrol					
D4F 780	4 Cyl.	9.5:1	1149cc	74kW (100)PS	Turbo Intercooled	TD20442	1114
D4F 782 Euro 5	4 Cyl.	9.5:1	1149cc	74kW (101)PS	Turbo Intercooled	TD23978	1114
D4F 784	4 Cyl.	9.8:1	1149cc	74kW (100)PS		TD20813	1114
D4F 786	4 Cyl.	9.8:1	1149cc	76kW (103)PS		TD27696	1112
CLIO	05/07→	CLIO Grandtour	02/08→	MODUS / GRAND MODUS 05/07→			
TWINGO	03/07→	WIND	07/10→				

TB712	TBK315		KIT		
95x23.4	Component No:TB712;AE1139TP				

AH6780 MLS, 0.50mm	JD6038	JM7125 (ACM)	HR817	NA5261
	(Steel)			28.00x47.00x8.00mm PTFE/ACM
	JD6033			
	MLS			

RENAULT/DACIA

362

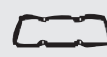


69.00

Petrol



D7D 760	4 Cyl.	9.6:1	1149cc	43kW (58)PS	TD20901	1112
CLIO 02/00 → 05/01						



JD420

NA5053

30.00x42.00x7.00mm FPM

363



69.00

Petrol

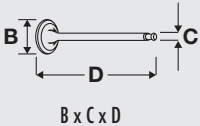


D7F 700	4 Cyl.	9.6:1	1149cc	44kW (60)PS	TD5520	1115
D7F 701	4 Cyl.	9.6:1	1149cc	44kW (60)PS	TD5521	1116
D7F 702	4 Cyl.	9.6:1	1149cc	44kW (60)PS	TD16274	1116
D7F 703	4 Cyl.	9.6:1	1149cc	43kW (58)PS	TD16275	1116
D7F 704	4 Cyl.	9.6:1	1149cc	43-44kW (58-60)PS	TD16276	1116
D7F 706	4 Cyl.	9.6:1	1149cc	43kW (58)PS	TD18178	1116
D7F 710	4 Cyl.	9.6:1	1149cc	44kW (60)PS	TD9624	1118
D7F 720	4 Cyl.	9.65:1	1149cc	44kW (60)PS	TD14328	1116
D7F 722	4 Cyl.	9.6:1	1149cc	44kW (60)PS	TD16326	1119
D7F 726	4 Cyl.	9.6:1	1149cc	44kW (60)PS	TD14329	1119
D7F 730	4 Cyl.	9.6:1	1149cc	44kW (60)PS	TD5522	1119
D7F 766 Euro 4	4 Cyl.	9.6:1	1149cc	43kW (58)PS	TD19670	1116

CLIO 01/96 →	KANGOO 08/97 →	TWINGO 05/96 →
--------------	----------------	----------------



TB482 87x17	TBK092 Component No:TB482;AE1069TP				
----------------	---------------------------------------	--	--	--	--



OE



MAT.



30°



H



V94180 32.80 x 6.00 x 106.70	7701 469 266	 MB	30°		VAG96238B 45.00 x 6.00 x 11.07
V94181 29.90 x 6.00 x 106.70	7701 469 269	 MD	45°		



BX630 Fibre Composite	DX630		HBS241 M9x1.25x103.00mm (x10)	JD421 JD420	JN997 →01/00 JM5131 (Elastomer) 01/00 →	NA5053 30.00x42.00x7.00mm FPM
-----------------------	-------	--	----------------------------------	----------------	---	----------------------------------



BX630

364	69.00	Petrol			
D7F 708	4 Cyl.	9.6:1	1149cc	43kW (58)PS	TD26522 1117
TWINGO 10/03→					

BX630 Fibre Composite	DX630		HBS241 M9x1.25x103.00mm (x10)	JD421 JD420	JN997 →01/00 JM5131 (Elastomer) 01/00→		NA5053 30.00x42.00x7.00mm FPM



BX630

365	69.00	Petrol			
D7F 744	4 Cyl.	9.6:1	1149cc	43kW (58)PS	TD17266 1120
D7F 746	4 Cyl.	9.6:1	1149cc	43kW (58)PS	TD17267 1118

CLIO 09/98→	KANGOO 08/97→	THALIA 02/98→10/03				
TB482 87x17	TBK092 Component No:TB482;AE1069TP		KIT			

BX630 Fibre Composite	DX630		HBS241 M9x1.25x103.00mm (x10)	JD421 JD420	JN997 →01/00 JM5131 (Elastomer) 01/00→		NA5053 30.00x42.00x7.00mm FPM



BX630

RENAULT/DACIA

366



69.00

Petrol

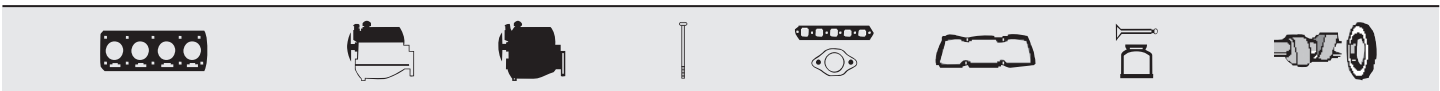


D7F 764 4 Cyl. 9.6:1 1149cc 43kW (58)PS TD20903 1121

CLIO 09/98→ KANGOO 07/98→07/01

TB482 87x17	TBK092 Component No:TB482;AE1069TP		KIT		

V94180 ■ 32.80 x 6.00 x 106.70	OE 7701 469 266	MAT. MB	30°	H	E x F x G



BX630 Fibre Composite	DX630	HBS241 ☉ M9x1.25x103.00mm (x10)	JD421 ■ JD420 ■	JN997 →01/00 JM5131 (Elastomer) 01/00→	NA5053 30.00x42.00x7.00mm FPM
------------------------------	--------------	---	----------------------------------	--	---



BX630

367



69.00

Petrol

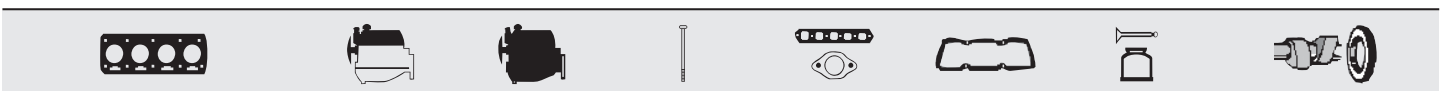


D7F 800 4 Cyl. 9.6:1 1149cc 43kW (58)PS TD20443 1117

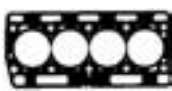
TWINGO 03/07→

TB482 87x17	TBK092 Component No:TB482;AE1069TP		KIT		











V94180 ■ 32.80 x 6.00 x 106.70	OE 7701 469 266	MAT. MB	30°	H	VAG96238B ■ ■ 45.00 x 6.00 x 11.07
V94181 ■ 29.90 x 6.00 x 106.70	7701 469 269	MD	45°		





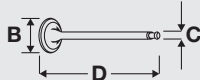



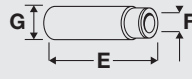






BX630 Fibre Composite	DX630	HBS241 ☉ M9x1.25x103.00mm (x10)	JD421 ■ JD420 ■	JM5131 (Elastomer) JN997	NA5053 30.00x42.00x7.00mm FPM
------------------------------	--------------	---	----------------------------------	--	---



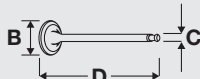
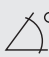




















BX630

368	 69.00	Petrol				
D4D 700	4 Cyl.	9.8:1	999cc	44kW (60)PS	TD17268	1112
D4D 720	4 Cyl.	9.8:1	999cc	44kW (60)PS	TD17269	1112
       						NA5261 28.00x47.00x8.00mm PTFE/ACM

369	 70.00	Petrol				
688.01	4 Cyl.	9:1	1108cc	25-39kW (34-53)PS	TD22490	1122
688.09	4 Cyl.	9:1	1108cc		FM4916	
8	11/62→10/72	10	05/66→10/72	ESTAFETTE	02/62→12/81	
R8	01/69→12/72					

 <p>B x C x D</p>	OE	MAT.	  	 <p>E x F x G</p>
V35117  33.38 x 6.99 x 89.79 V91834  29.00 x 7.00 x 89.00	7701 458 180 7701 460 690	 MB  MD	45° 45° H	VAG50758   41.50 x 7.00 x 11.15

370	 70.00	Petrol				
688 02	4 Cyl.	9:1	1108cc	41kW (55)PS	TD3012	1125
688.10	4 Cyl.	9.5:1	1108cc	25-39kW (34-53)PS	TD21382	1124
6	08/70→04/87	RODEO 6	08/73→11/81			
 <p>B x C x D</p>	OE	MAT.	  	 <p>E x F x G</p>		
V35117  33.38 x 6.99 x 89.79 V91834  29.00 x 7.00 x 89.00	7701 458 180 7701 460 690	 MB  MD	45° 45° H	VAG50758   41.50 x 7.00 x 11.15		

       						HBS104  M10x1.50x100.00mm (x10)	NF535 30.00x42.00x8.00mm NBR
---	--	--	--	--	--	---	---------------------------------

RENAULT/DACIA

371



70.00

Petrol



688 711	4 Cyl.	9.25:1	1108cc	33kW (45)PS	TD3014	1124
688 712	4 Cyl.		1108cc	25kW (34)PS	TD3015	1124
4	10/76→06/90	RODEO 5		11/81→12/87		

	OE	MAT.			
B x C x D				H	E x F x G
V35117 ■	7701 458 180		45°		VAG50758 ■ ■
33.38 x 6.99 x 89.79		MB			41.50 x 7.00 x 11.15
V91834 ■	7701 460 690		45°		
29.00 x 7.00 x 89.00		MD			

BH680 Fibre Composite, 1.200mm			HBS104 △ M10x1.50x100.00mm (x10)				NF535 30.00x42.00x8.00mm NBR



BH680

372



70.00

Petrol



688 713	4 Cyl.	9.5:1	1108cc	33kW (45)PS	TD3013	1124
5	09/80→12/85					

	OE	MAT.			
B x C x D				H	E x F x G
V35117 ■	7701 458 180		45°		VAG50758 ■ ■
33.38 x 6.99 x 89.79		MB			41.50 x 7.00 x 11.15
V91834 ■	7701 460 690		45°		
29.00 x 7.00 x 89.00		MD			

BH680 Fibre Composite, 1.200mm			HBS104 △ M10x1.50x100.00mm (x10)			HR599 ■	NF535 30.00x42.00x8.00mm NBR



BH680

373



70.00

Petrol



C1E 688	4 Cyl.	8.5:1	1108cc	25kW (34)PS	TD24999	1127
---------	--------	-------	--------	-------------	---------	------

BH680 Fibre Composite, 1.200mm	DH683 ■ ○			JC669	JN600	HR646 ■	NF535 30.00x42.00x8.00mm NBR
BM790 Fibre Composite, 1.750mm	DH687 [11]						



BH680, BM790

[11] Without gaskets/seals

[11] Sans joints

[11] Senza guarnizioni

[11] Sin juntas

374	70.00	Petrol				
C1E 700	4 Cyl.	8.5:1	1108cc	35kW (47)PS	TD3100	1128
C1E 756	4 Cyl.	8.8:1	1108cc	33kW (45)PS	TD3109	1128
CLIO	01/91→09/98	RAPID	06/87→09/91	SUPER 5	01/86→03/95	

B x C x D	OE	MAT.			E x F x G
V35117	7701 458 180		45°	H	VAG50758
33.38 x 6.99 x 89.79		MB			41.50 x 7.00 x 11.15
V91834	7701 460 690		45°		
29.00 x 7.00 x 89.00		MD			

BH680 Fibre Composite, 1.200mm	DH683		HBS104	JC669	JN600	HR643	NF535
BM790 Fibre Composite, 1.750mm	DH687 [11]		M10x1.50x100.00mm (x10)				30.00x42.00x8.00mm NBR



BH680, BM790
 [11] Without gaskets/seals [11] Sans joints [11] Senza guarnizioni [11] Sin juntas

375	70.00	Petrol				
C1E 714	4 Cyl.	8.8:1	1108cc	25kW (34)PS	TD3101	1129
4	10/76→06/90					

B x C x D	OE	MAT.			E x F x G
V35117	7701 458 180		45°	H	VAG50758
33.38 x 6.99 x 89.79		MB			41.50 x 7.00 x 11.15
V91834	7701 460 690		45°		
29.00 x 7.00 x 89.00		MD			

BH680 Fibre Composite, 1.200mm	DH681	GH681 [13]	HBS104	JB851	JN600		NF535
BM790 Fibre Composite, 1.750mm	DH687 [11]	GH683 [18]	M10x1.50x100.00mm (x10)				30.00x42.00x8.00mm NBR



BH680, BM790
 [11] Without gaskets/seals [11] Sans joints [11] Senza guarnizioni [11] Sin juntas
 [13] Without crankshaft seal; [13] Sans bague d'étanchéité - vilebrequin; [13] Senza paraolio-albero a gomiti; [13] Sin cigüeñal retén;
 With cylinder sleeve ring avec deux bagues de chemises de cylindre con anello tenuta canna cilindro con segmentos para camisa
 [18] With cylinder sleeve ring [18] Avec deux bagues de chemises de cylindre [18] Con anello tenuta canna cilindro [18] Con segmentos para camisa

376



70.00

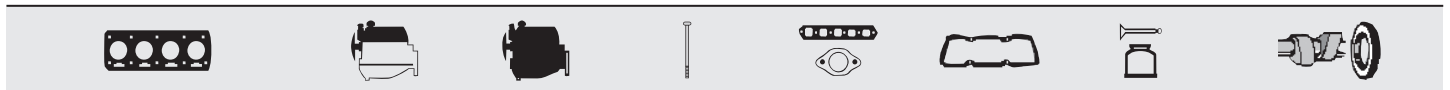
Petrol



C1E 715	4 Cyl.	9:1	1108cc	35kW (47)PS	TD3102	1130
C1E 718	4 Cyl.	8.8:1	1108cc	25-26kW (34-35)PS	TD3103	1131
C1E 719	4 Cyl.	8.8:1	1108cc	25-26kW (34-35)PS	TD3104	1131
C1E 720	4 Cyl.	9.5:1	1108cc	35kW (47)PS	TD3105	1132
C1E 726	4 Cyl.	9.5:1	1108cc	33kW (45)PS	TD3011	1131
C1E 750	4 Cyl.	9.5:1	1108cc	33-34kW (45-46)PS	TD3106	1130
C1E 752	4 Cyl.	9.5:1	1108cc	33-34kW (45-46)PS	TD3107	1130
C1E 754	4 Cyl.	8.8:1	1108cc	33-34kW (45-46)PS	TD3108	1130
C1E 760	4 Cyl.	8.8:1	1108cc	33kW (45)PS	TD3110	1130
C1E 762	4 Cyl.	8.8:1	1108cc	33-36kW (45-49)PS	TD3111	1130
C1E 764	4 Cyl.	8.8:1	1108cc	36kW (49)PS	TD3112	1133
C1E 792	4 Cyl.	8.8:1	1108cc	33kW (45)PS	TD3113	1130

4	10/76→06/90	5	09/80→12/85	9	09/81→05/87
11	03/83→06/86	RAPID	07/85→04/95	SUPER 5	10/84→12/96

<p>B x C x D</p>	OE	MAT.	<p>45°</p>	H	<p>E x F x G</p>
V35117 ■ 33.38 x 6.99 x 89.79	7701 458 180		45°	H	VAG50758 ■ ■ ■ 41.50 x 7.00 x 11.15
V91834 ■ 29.00 x 7.00 x 89.00	7701 460 690		45°		



BH680 Fibre Composite, 1.200mm BM790 Fibre Composite, 1.750mm	DH683 ■ ○ DH687 [11]	HBS104 △ M10x1.50x100.00mm (x10)	JC669	JN600	HR646 ■	NF535 30.00x42.00x8.00mm NBR
--	-------------------------	-------------------------------------	-------	-------	---------	---------------------------------



BH680, BM790

[11] Without gaskets/seals

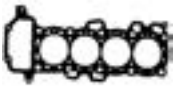
[11] Sans joints

[11] Senza guarnizioni

[11] Sin juntas

377	71.00	Petrol							
CG10DE	4 Cyl.	9.5:1	998cc	40kW (54)PS				TD22183	1134
	OE		MAT.						
V94015 ■ 27.50 x 5.50 x 95.80			MB	45°		H		VAG96050 ■ 42.00 x 5.50 x 9.72	
V94447 ■ 27.50 x 5.50 x 95.70			MB	45°	Y	H		VAG96051 ■ 44.00 x 5.50 x 9.72	
V94016 ■ 22.50 x 5.50 x 95.90			MD	45°					

BY900 Fibre Composite →01/03	DY900 [10] →12/00 CG7880 02/03→		HBS110 Ⓢ M10x1.50x146.00mm (x10)	JC875 ■ →12/00 JD5841 ■ (FPM) 02/03→ JC876 ■ (x2)	JM5281	PB681	NJ765 40.00x52.00x7.00mm NBR



BY900
[10] With gaskets/seals [10] Avec joints [10] Con guarnizioni [10] Con juntas

378	71.50	Petrol							
C1G 700	4 Cyl.	9.25:1	1237cc	40kW (54)PS				TD3114	1135
C1G 702	4 Cyl.	9.25:1	1237cc	40kW (54)PS				TD3115	1136
C1G 710	4 Cyl.	9.25:1	1237cc	40kW (54)PS				TD3116	1136
C1G 720	4 Cyl.	9.25:1	1237cc	40kW (54)PS				TD3117	1136
C1G 722	4 Cyl.	9.25:1	1237cc	40kW (54)PS				TD3118	1136
C1G 726	4 Cyl.	9.25:1	1237cc	40kW (54)PS				TD3119	1136
C1G 730	4 Cyl.	9.25:1	1237cc	40kW (54)PS				TD3120	1136
9	09/85→12/88	11		10/84→12/88	19			01/88→12/95	
RAPID	09/91→08/93	SUPER 5		01/87→12/96					

	OE		MAT.						
V91317 ■ 34.00 x 7.00 x 91.50	7701 462 137		MB	45°		H		VAG50758 ■ ■ 41.50 x 7.00 x 11.15	
V91834 ■ 29.00 x 7.00 x 89.00	7701 460 690		MD	45°					
BH690 Fibre Composite, 1.200mm	DH687 [11] DH690 ○ [11] DH693 ○ [11]		HBS104 △ M10x1.50x100.00mm (x10)	JC669	JN600	HR646 ■			



BH690
[11] Without gaskets/seals [11] Sans joints [11] Senza guarnizioni [11] Sin juntas

RENAULT/DACIA

379



73.00

Petrol



810.01	4 Cyl.	8.5:1	1289cc	26-32kW (37-44)PS	TD8555	1137
--------	--------	-------	--------	-------------------	--------	------

ESTAFETTE 08/69→12/81

<p>B x C x D</p>	OE	MAT.		<p>E x F x G</p>
V35117 33.38 x 6.99 x 89.79 V91834 29.00 x 7.00 x 89.00	7701 458 180 7701 460 690	 	45° 45°	VAG50758 41.50 x 7.00 x 11.15

								NF535 30.00x42.00x8.00mm NBR

380



73.00

Petrol



810.02	4 Cyl.	8.5:1	1289cc	37kW (50)PS	TD3033	1138
--------	--------	-------	--------	-------------	--------	------

810.06	4 Cyl.	9.5:1	1289cc	44kW (60)PS	TD3034	1140
--------	--------	-------	--------	-------------	--------	------

12 08/72→08/80

<p>B x C x D</p>	OE	MAT.		<p>E x F x G</p>
V35117 33.38 x 6.99 x 89.79 V91834 29.00 x 7.00 x 89.00	7701 458 180 7701 460 690	 	45° 45°	VAG50758 41.50 x 7.00 x 11.15

BH530 Fibre Composite, 1.400mm BT080 Fibre Composite, 1.500mm								
BH530	BT080							

381



73.00

Petrol



810.03	4 Cyl.	8.5:1	1289cc	35kW (48)PS	TD23613	1139
--------	--------	-------	--------	-------------	---------	------

810.05	4 Cyl.	9.5:1	1289cc	31-45kW (42-61)PS	TD21386	1140
--------	--------	-------	--------	-------------------	---------	------

10 07/69→10/72 12 08/72→08/80 15 03/72→10/80

<p>B x C x D</p>	OE	MAT.		<p>E x F x G</p>
V35117 33.38 x 6.99 x 89.79 V91834 29.00 x 7.00 x 89.00	7701 458 180 7701 460 690	 	45° 45°	VAG50758 41.50 x 7.00 x 11.15

382	73.00	Petrol							
810-02/97	4 Cyl.	8.5:1	1289cc	40kW (54)PS					TD3032 1140
12	10/69→08/80								

B x C x D	OE	MAT.	45°		H	E x F x G
V35117	7701 458 180		45°			VAG50758
33.38 x 6.99 x 89.79		MB				41.50 x 7.00 x 11.15
V91834	7701 460 690		45°			
29.00 x 7.00 x 89.00		MD				

BT080 Fibre Composite, 1.500mm				JB851	JN600		

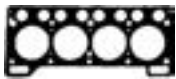


BT080

383	73.00	Petrol							
810-02/-99	4 Cyl.	8.5:1	1289cc	40kW (54)PS					TD13436 1140
1300	12/72→05/83	1304	06/83→08/90	1310	05/83→07/04				

B x C x D	OE	MAT.	45°		H	E x F x G
V35117			45°			VAG50758
33.38 x 6.99 x 89.79		MB				41.50 x 7.00 x 11.15
V90361			45°			
29.00 x 7.00 x 89.00		MD				
V91261			45°			
29.00 x 7.00 x 89.00		MD				
V91834			45°			
29.00 x 7.00 x 89.00		MD				

BT080 Fibre Composite, 1.500mm				JB851	JN600		



BT080

RENAULT/DACIA

384



73.00

Petrol

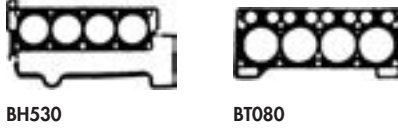


810 719	4 Cyl.	8.2:1	1289cc	33kW (45)PS	TD3035	1143
810 725	4 Cyl.	9.5:1	1289cc	40kW (54)PS	TD3036	1143
810 726	4 Cyl.	9.5:1	1289cc	32kW (44)PS	TD3037	1143
810 729	4 Cyl.	9.5:1	1289cc	40kW (54)PS	TD3038	1143

5	09/75 → 09/84	RODEO 5	07/81 → 02/84
---	---------------	---------	---------------

 B x C x D	OE	MAT.	 45°	 H	 E x F x G
V35117 ■ 33.38 x 6.99 x 89.79 V91834 ■ 29.00 x 7.00 x 89.00	7701 458 180 7701 460 690	 MB MD	45° 45°		VAG50758 ■ ■ 41.50 x 7.00 x 11.15

 BH530 Fibre Composite, 1.400mm BT080 Fibre Composite, 1.500mm	 GT080 ○	 HBS104 △ M10x1.50x100.00mm (x10)	 JB851	 JN248	 NF535 30.00x42.00x8.00mm NBR
--	-------------	---	-----------	-----------	-------------------------------------



385



74.00

Petrol

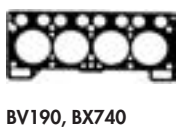


C3G 700	4 Cyl.	9.2:1	1239cc	40kW (54)PS	TD3172	1144
C3G 702	4 Cyl.	9.2:1	1239cc	40kW (54)PS	TD5515	1144
C3G 710	4 Cyl.	9.2:1	1239cc	40kW (54)PS	TD3173	1145
C3G 712	4 Cyl.	9.2:1	1239cc	40kW (54)PS	TD16545	1145
C3G 720	4 Cyl.	9.2:1	1239cc	40kW (54)PS	TD14314	1146

CLIO	06/94 → 02/98	RAPID	09/91 → 03/98	TWINGO	03/93 → 10/96
------	---------------	-------	---------------	--------	---------------

 B x C x D	OE	MAT.	 45°	 H	 E x F x G
V35117 ■ 33.38 x 6.99 x 89.79 V91834 ■ 29.00 x 7.00 x 89.00	7701 458 180 7701 460 690	 MB MD	45° 45°		VAG50758 ■ ■ 41.50 x 7.00 x 11.15

 BV190 Fibre Composite, 1.250mm BX740 Fibre Composite, 1.750mm	 DV190 ▲ DX651	 HBS104 △ M10x1.50x100.00mm (x10)	 JD231	 JN936	 HR599 ■ HR643 ■
--	----------------------	---	-----------	-----------	------------------------



386	74.00	Petrol					
C3G 750	4 Cyl.	9.2:1	1239cc	40kW (54)PS	TD22356	1145	
BV190 Fibre Composite, 1.250mm BX740 Fibre Composite, 1.750mm	DV190 ▲ DX651		HBS104 △ M10x1.50x100.00mm (x10)	JD231	JN936	HR599 ■ HR643 ■	
BV190, BX740							

387	75.00	Petrol				
129	4 Cyl.	9.3:1	1218cc	42-43kW (57-58)PS	TD3007	1147
14	05/76 → 12/83					
	OE		MAT.			
B x C x D						E x F x G
						VAG92098 ■ ■ ■ 47.50 x 8.00 x 13.08

388	75.00	Petrol				
150	4 Cyl.	9.3:1	1360cc	51-52kW (70-71)PS	TD3008	1148
14	09/79 → 06/83					
	OE		MAT.			
B x C x D						E x F x G
						VAG92098 ■ ■ ■ 47.50 x 8.00 x 13.08

BH950 Fibre Composite, 1.200mm, 1 Notch BL620 Fibre Composite, 1.400mm	DH957 ○ [11]				JN596	HR300 ■	
BH950, BL620							
[11] Without gaskets/seals [11] Sans joints [11] Senza guarnizioni [11] Sin juntas							

389



75.00

Petrol



X5J 4 Cyl. 1360cc 44kW (60)PS **TD3434** **1149**

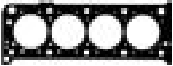
14 12/81→12/83

		CAM540	CK57540	FOL2 (x8)	

 B x C x D	OE	 MAT.	 E	 F x G
---------------	----	----------	-------	-----------

VAG92098 I I E
47.50 x 8.00 x 13.08

BH950 Fibre Composite, 1.200mm, 1 Notch BL620 Fibre Composite, 1.400mm	DH957 ○ [11]				JN596	HR300 ■	





BH950, BL620

[11] Without gaskets/seals







[11] Sans joints

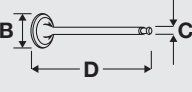

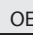










[11] Senza guarnizioni














[11] Sin juntas

390	 75.80	Petrol				
E5F 710	4 Cyl.	8.8:1	1171cc	40-44kW (55-60)PS	TD3181	1150
E6J 700	4 Cyl.	9.5:1	1390cc	58-59kW (79-80)PS	TD3183	1153
E6J 701	4 Cyl.	9.5:1	1390cc	58-59kW (79-80)PS	TD3184	1153
E7F 700	4 Cyl.	9.25:1	1171cc	55kW (75)PS	TD3192	1151
E7F 706	4 Cyl.	8.8:1	1171cc	55kW (75)PS	TD3194	1150
E7F 708	4 Cyl.	9.25:1	1171cc	43-44kW (58-60)PS	TD3195	1151
E7F 750	4 Cyl.	9.25:1	1171cc	43-44kW (58-60)PS	TD3197	1150

19	01/88→12/95	CLIO	05/90→09/98	RAPID	05/95→11/98
-----------	-------------	-------------	-------------	--------------	-------------

					
TB257 95x17	TBK002 Component No:TB257;AE1058TP		KIT		

					
B x C x D	E x F x G				
					
V91835 	7701 465 088	MB	30°	H	VAG96182B 
37.50 x 7.00 x 107.80					42.00 x 7.02 x 12.08
V91836 	7701 465 090	MD cr	45°		VAG96172B 
33.60 x 7.00 x 107.80					49.00 x 7.02 x 12.08
V94442 	7701 468 419	MG	45°	H	
33.60 x 7.00 x 107.70					

							
BX720 Fibre Composite, 1.350mm BX730 Fibre Composite, 1.750mm	DS580 DX720 [10]		HBS102  M10x1.50x113.00mm (x5)	JC956  JC955 	JN789	HR599  HR646 	NA5016 35.00x47.00x7.00mm FPM/ACM NA5053 30.00x42.00x7.00mm FPM



BX720
[10] With gaskets/seals



BX730
[10] Avec joints

[10] Con guarnizioni

[10] Con juntas

RENAULT/DACIA

391



75.80

Petrol



ESF 716	4 Cyl.	8.8:1	1171cc	40-44kW (55-60)PS	TD3182	1151
E6J 712	4 Cyl.	8.9:1	1390cc	55-57kW (75-80)PS	TD3186	1154
E6J 713	4 Cyl.	9.5:1	1390cc	55-57kW (75-80)PS	TD3187	1154
E6J 718	4 Cyl.	9.5:1	1390cc	55-57kW (75-78)PS	TD3188	1154

CLIO 05/90 → 02/98

<p>B x C x D</p>	OE	MAT.			<p>E x F x G</p>
V91835 ■ 37.50 x 7.00 x 107.80	7701 465 088		30°	H	VAG96182B ■ 42.00 x 7.02 x 12.08
V91836 ■ 33.60 x 7.00 x 107.80	7701 465 090		45°		VAG96172B ■ 49.00 x 7.02 x 12.08
V94442 ■ 33.60 x 7.00 x 107.70	7701 468 419		45°	H	

BX720 Fibre Composite, 1.350mm BX730 Fibre Composite, 1.750mm	DS580 DX720 [10]		HBS102 ⊕ M10x1.50x113.00mm (x5)	JC956 ■ JC955 ■	JN789	HR599 ■ HR646 ■	NA5016 35.00x47.00x7.00mm FPM/ACM NA5053 30.00x42.00x7.00mm FPM



BX720
[10] With gaskets/seals

BX730
[10] Avec joints

[10] Con guarnizioni

[10] Con juntas

392



75.80

Petrol



E6J 706	4 Cyl.	9.5:1	1390cc	58-59kW (79-80)PS	TD3185	1154
E6J 734	4 Cyl.	9.5:1	1390cc	43kW (58)PS	TD3189	1153
E6J 760	4 Cyl.	9.5:1	1390cc	55-57kW (75-78)PS	TD3191	1154
E7F 730	4 Cyl.	9.25:1	1171cc	46kW (63)PS	TD3196	1152

19 05/92 → 06/01 **CLIO** 05/90 → 02/98

BX720 Fibre Composite, 1.350mm BX730 Fibre Composite, 1.750mm	DS580 DX720 [10]		HBS102 ⊕ M10x1.50x113.00mm (x5)	JC956 ■ JC955 ■	JN789	HR599 ■ HR646 ■	NA5016 35.00x47.00x7.00mm FPM/ACM NA5053 30.00x42.00x7.00mm FPM



BX720
[10] With gaskets/seals

BX730
[10] Avec joints

[10] Con guarnizioni

[10] Con juntas

393	75.80	Petrol				
E7F 704	4 Cyl.	9.25:1	1171cc	44kW (60)PS	TD3193	1152
	OE	MAT.				
V91835	7701 465 088		30°	H	VAG96182B	
37.50 x 7.00 x 107.80		MB			42.00 x 7.02 x 12.08	
V91836	7701 465 090		45°		VAG96172B	
33.60 x 7.00 x 107.80		MD cr			49.00 x 7.02 x 12.08	
V94442	7701 468 419		45°	H		
33.60 x 7.00 x 107.70		MG				

BX720 Fibre Composite, 1.350mm BX730 Fibre Composite, 1.750mm	DS580 DX720 [10]		HBS102 M10x1.50x113.00mm (x5)	JC956 JC955	JN789	HR646	NA5016 35.00x47.00x7.00mm FPM/ACM NA5053 30.00x42.00x7.00mm FPM
BX720 [10] With gaskets/seals	BX730 [10] Avec joints	[10] Con guarnizioni	[10] Con juntas				

394	75.80	Petrol					
E6J 738	4 Cyl.	8.9:1	1390cc	43kW (58)PS	TD3190	1155	
	DS580 DX720 [10]		HBS102 M10x1.50x113.00mm (x5)	JC956 JC955	JN789	HR599 HR646	NA5016 35.00x47.00x7.00mm FPM/ACM NA5053 30.00x42.00x7.00mm FPM
BX720 [10] With gaskets/seals	BX730 [10] Avec joints	[10] Con guarnizioni	[10] Con juntas				

RENAULT/DACIA

395



75.80

Petrol



E7J 601 4 Cyl. 9.5:1 1390cc 58-59kW (80-80)PS TD3198 1156

CLIO 01/91→09/98

	OE	MAT.			
B x C x D					E x F x G
V91835	7701 465 088		30°	H	VAG96182B
37.50 x 7.00 x 107.80		MB			42.00 x 7.02 x 12.08
V91836	7701 465 090		45°		VAG96172B
33.60 x 7.00 x 107.80		MD cr			49.00 x 7.02 x 12.08
V94442	7701 468 419		45°	H	
33.60 x 7.00 x 107.70		MG			



BX720 Fibre Composite, 1.350mm BX730 Fibre Composite, 1.750mm	DX720 [10]		HBS102 M10x1.50x113.00mm (x5)	JC956 JC955	JN789	HR646	NA5016 35.00x47.00x7.00mm FPM/ACM NA5053 30.00x42.00x7.00mm FPM
--	-------------------	--	---	------------------------------	--------------	--------------	--



BX720
[10] With gaskets/seals

BX730
[10] Avec joints

[10] Con guarnizioni

[10] Con juntas

396



75.80

Petrol



E7J 624 4 Cyl. 9.5:1 1390cc 52kW (71)PS TD5526 1157

MEGANE 01/96→03/99

TB257 95x17	TBK002 Component No:TB257;AE1058TP		KIT			



BX720 Fibre Composite, 1.350mm BX730 Fibre Composite, 1.750mm	DX722		HBS102 M10x1.50x113.00mm (x5)	JC956 JC955	JN789	HR646	NA5016 35.00x47.00x7.00mm FPM/ACM
--	--------------	--	---	------------------------------	--------------	--------------	---



BX720

BX730

397

 75.80

Petrol



E7J 626

4 Cyl.

9.5:1

1390cc







55kW (75)PS

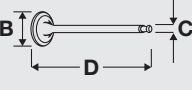

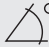

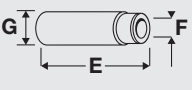

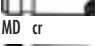

TD16362




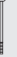




1157

MEGANE

01/96 → 08/03

					
TB257 95x17 →02/99	TBK002 →02/99 Component No:TB257;AE1058TP				
TB529 96x17 03/99→	TBK096 03/99→ Component No:TB529;AE1134TP				

					
B x C x D	OE	MAT.			E x F x G
V91835 ■ 37.50 x 7.00 x 107.80	7701 465 088	 MB	30°	H	VAG96182B ■ 42.00 x 7.02 x 12.08
V91836 ■ 33.60 x 7.00 x 107.80	7701 465 090	 MD cr	45°		VAG96172B ■ 49.00 x 7.02 x 12.08
V94442 ■ 33.60 x 7.00 x 107.70	7701 468 419	 MG	45°	H	

							
BX720 Fibre Composite, 1.350mm	DX722	HBS102 ⊕ M10x1.50x113.00mm (x5)	JC956 ■ JC955 ■	JN789	HR646 ■	NA5016 35.00x47.00x7.00mm FPM/ACM	



BX720



BX730

RENAULT/DACIA

398

75.80

Petrol



E7J 634	4 Cyl.	9.5:1	1390cc	55kW (75)PS	TD17271	1157
E7J 635	4 Cyl.	9.5:1	1390cc	55kW (75)PS	TD17272	1157

KANGOO 08/97→

--	--	--	--	--	--

TB529 96x17	TBK096 Component No:TB529;AE1134TP				
-----------------------	--	--	--	--	--

B x C x D	E x F x G
V91835 ■ 37.50 x 7.00 x 107.80	VAG96182B ■ 42.00 x 7.02 x 12.08
V91836 ■ 33.60 x 7.00 x 107.80	VAG96172B ■ 49.00 x 7.02 x 12.08
V94442 ■ 33.60 x 7.00 x 107.70	
OE	MAT.
7701 465 088	30° H
7701 465 090	45°
7701 468 419	45° H
	MB
	MD cr
	MG

BX720 Fibre Composite, 1.350mm BX730 Fibre Composite, 1.750mm			HBS102 ⊕ M10x1.50x113.00mm (x5)	JD5315 ■ JD418 ■	JN789	HR599 ■ HR646 ■	NA5016 35.00x47.00x7.00mm FPM/ACM NA5053 30.00x42.00x7.00mm FPM



BX720 **BX730**

399

75.80

Petrol



E7J 700	4 Cyl.	9.5:1	1390cc	55-59kW (75-80)PS	TD3199	1158
19	09/90→04/92					

--	--	--	--	--	--

TB257 95x17	TBK002 Component No:TB257;AE1058TP				
-----------------------	--	--	--	--	--

BX720 Fibre Composite, 1.350mm BX730 Fibre Composite, 1.750mm	DX720 [10]		HBS102 ⊕ M10x1.50x113.00mm (x5)	JC956 ■ JC955 ■	JN789	HR646 ■	NA5016 35.00x47.00x7.00mm FPM/ACM NA5053 30.00x42.00x7.00mm FPM



BX720 **BX730**
 [10] With gaskets/seals [10] Avec joints [10] Con guarnizioni [10] Con juntas

400	75.80	Petrol			
E7J 706	4 Cyl.	9.5:1	1390cc	55-59kW (75-80)PS	TD3200 1159
E7J 710	4 Cyl.	9.5:1	1390cc	58-59kW (80-80)PS	TD3203 1156
E7J 711	4 Cyl.	9.5:1	1390cc	58-59kW (80-80)PS	TD3204 1156
E7J 718	4 Cyl.	9.5:1	1390cc	58kW (79)PS	TD3205 1161
E7J 719	4 Cyl.	9.5:1	1390cc	58kW (79)PS	TD3206 1161
E7J 756	4 Cyl.	9.5:1	1390cc	55kW (75)PS	TD17279 1156
E7J 757	4 Cyl.	9.5:1	1390cc	55kW (75)PS	TD17282 1156

19 01/92→12/95 CLIO 01/91→09/98

TB257 95x17	TBK002 Component No:TB257;AE1058TP				

B x C x D	E x F x G
OE	
MAT.	
30°	H
V91835	VAG96182B
7701 465 088	42.00 x 7.02 x 12.08
V91836	VAG96172B
7701 465 090	49.00 x 7.02 x 12.08
V94442	
7701 468 419	
37.50 x 7.00 x 107.80	
33.60 x 7.00 x 107.80	
33.60 x 7.00 x 107.70	

BX720 Fibre Composite, 1.350mm	DX720 [10]	HBS102	JC956	JN789	HR646	NA5016
BX730 Fibre Composite, 1.750mm		M10x1.50x113.00mm (x5)	JC955			35.00x47.00x7.00mm FPM/ACM
						NA5053
						30.00x42.00x7.00mm FPM

BX720	BX730					
[10] With gaskets/seals	[10] Avec joints	[10] Con guarnizioni	[10] Con juntas			

401	75.80	Petrol			
E7J 707	4 Cyl.	9.5:1	1390cc	55-59kW (75-80)PS	TD3201 1160
E7J 770	4 Cyl.	9.5:1	1390cc	55-59kW (75-80)PS	TD20896 1160
E7J 771	4 Cyl.	9.5:1	1390cc	55-59kW (75-80)PS	TD20897 1160

						NA5053
						30.00x42.00x7.00mm FPM

402



75.80

Petrol



E7J 720 4 Cyl. 9.5:1 1390cc 55-59kW (75-80)PS TD3207 1162

RAPID 09/91→03/98

TB257 95x17	TBK002 Component No:TB257;AE1058TP		KIT		

B x C x D	E x F x G
V91835 ■ 37.50 x 7.00 x 107.80	VAG96182B ■ 42.00 x 7.02 x 12.08
V91836 ■ 33.60 x 7.00 x 107.80	VAG96172B ■ 49.00 x 7.02 x 12.08
V94442 ■ 33.60 x 7.00 x 107.70	
OE	
MAT.	
30°	
45°	
45°	
H	
H	

BX720 Fibre Composite, 1.350mm BX730 Fibre Composite, 1.750mm	DX720 [10]		HBS102 ⊕ M10x1.50x113.00mm (x5)	JC956 ■ JC955 ■	JN789	HR599 ■	NA5016 35.00x47.00x7.00mm FPM/ACM NA5053 30.00x42.00x7.00mm FPM



BX720
[10] With gaskets/seals

BX730
[10] Avec joints

[10] Con guarnizioni

[10] Con juntas

403

75.80

Petrol



E7J 724	4 Cyl.	9.5:1	1390cc	55-59kW (75-80)PS	TD3208	1162
E7J 726	4 Cyl.	9.5:1	1390cc	55-59kW (75-80)PS	TD5508	1162
E7J 754	4 Cyl.	9.5:1	1390cc	55-59kW (75-80)PS	TD3211	1162
E7J 773	4 Cyl.	9.5:1	1390cc	55-59kW (75-80)PS	TD3213	1162

CLIO	01/91→09/98	RAPID	09/91→03/98
-------------	-------------	--------------	-------------

TB257 95x17	TBK002 Component No:TB257;AE1058TP		KIT		

V91835 ■ 37.50 x 7.00 x 107.80	V91836 ■ 33.60 x 7.00 x 107.80	V94442 ■ 33.60 x 7.00 x 107.70	VAG961828 ■ 42.00 x 7.02 x 12.08	VAG96172B ■ 49.00 x 7.02 x 12.08
OE: 7701 465 088	OE: 7701 465 090	OE: 7701 468 419	MAT: MB	MAT: MD cr
MAT: MG	Angle: 30°	Angle: 45°	Angle: 45°	Angle: H

BX720 Fibre Composite, 1.350mm BX730 Fibre Composite, 1.750mm	DX720 [10]	HBS102 ⊕ M10x1.50x113.00mm (x5)	JC956 ■ JC955 ■	JN789	HR599 ■ HR646 ■	NA5016 35.00x47.00x7.00mm FPM/ACM NA5053 30.00x42.00x7.00mm FPM		



BX720
[10] With gaskets/seals

BX730
[10] Avec joints

[10] Con guarnizioni

[10] Con juntas

RENAULT/DACIA

404	75.80	Petrol			
E7J 728	4 Cyl.	9.5:1	1390cc	58-59kW (79-80)PS	TD3209 1161
E7J 742	4 Cyl.	9.5:1	1390cc	55kW (75)PS	TD3212 1161
19	01/92→12/95	RAPID		01/94→03/98	

	.KIT		KIT		
TB257 95x17	TBK002 Component No:TB257;AE1058TP				

B x C x D	E x F x G
V91835 ■ 37.50 x 7.00 x 107.80	VAG96182B ■ 42.00 x 7.02 x 12.08
V91836 ■ 33.60 x 7.00 x 107.80	VAG96172B ■ 49.00 x 7.02 x 12.08
V94442 ■ 33.60 x 7.00 x 107.70	
OE	MAT.
7701 465 088	MB
7701 465 090	MD cr
7701 468 419	MG
30°	H
45°	H

BX720 Fibre Composite, 1.350mm	DS580	HBS102 ⊕	JC956 ■	JN789	HR646 ■	NA5053	
BX730 Fibre Composite, 1.750mm	DX720 [10]	M10x1.50x113.00mm (x5)	JC955 ■			30.00x42.00x7.00mm FPM	
BX720 [10] With gaskets/seals	BX730 [10] Avec joints	[10] Con guarnizioni	[10] Con juntas				

405	75.80	Petrol			
E7J 745	4 Cyl.	9.5:1	1390cc	55-59kW (75-80)PS	TD3210 1160
	DS580	HBS102 ⊕	JC956 ■	HR599 ■	NA5053
		M10x1.50x113.00mm (x5)	JC955 ■		30.00x42.00x7.00mm FPM

406

 **75.80**

Petrol



E7J 764

4 Cyl.

9.5:1

1390cc



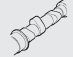



55kW (75)PS

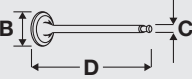

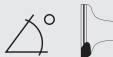




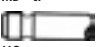
TD4858









1163

MEGANE

01/96 → 08/03

					
TB257 95x17 →02/99	TBK002 →02/99 Component No:TB257;AE1058TP				
TB529 96x17 03/99→	TBK096 03/99→ Component No:TB529;AE1134TP				

					
B x C x D	OE	MAT.			E x F x G
V91835 ■ 37.50 x 7.00 x 107.80	7701 465 088	 MB	30°	H	VAG96182B ■ 42.00 x 7.02 x 12.08
V91836 ■ 33.60 x 7.00 x 107.80	7701 465 090	 MD cr	45°		VAG96172B ■ 49.00 x 7.02 x 12.08
V94442 ■ 33.60 x 7.00 x 107.70	7701 468 419	 MG	45°	H	

							
BX720 Fibre Composite, 1.350mm	DX722		HBS102 ⊕ M10x1.50x113.00mm (x5)	JC956 ■ JD418 ■	JN789	HR599 ■ HR646 ■	NA5016 35.00x47.00x7.00mm FPM/ACM NA5053 30.00x42.00x7.00mm FPM
BX730 Fibre Composite, 1.750mm							



BX720









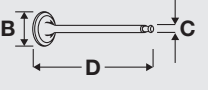





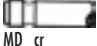

BX730





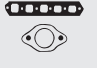



407
 **75.80**
Petrol


E7J 780	4 Cyl.	9.5:1	1390cc	55kW (75)PS	TD9623	1164
----------------	--------	-------	--------	--------------------	---------------	-------------

CLIO	09/98→05/05	KANGOO	08/97→
-------------	-------------	---------------	--------



					
TB257 95x17 →02/99	TBK002 →02/99 Component No:TB257;AE1058TP				
TB529 96x17 03/99→	TBK096 03/99→ Component No:TB529;AE1134TP				



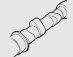



					
B x C x D	OE	MAT.			E x F x G
V91835 ■ 37.50 x 7.00 x 107.80	7701 465 088	 MB	30°	H	VAG96182B ■ 42.00 x 7.02 x 12.08
V91836 ■ 33.60 x 7.00 x 107.80	7701 465 090	 MD cr	45°		VAG96172B ■ 49.00 x 7.02 x 12.08
V94442 ■ 33.60 x 7.00 x 107.70	7701 468 419	 MG	45°	H	

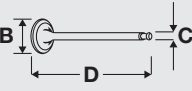
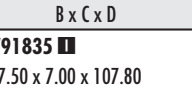
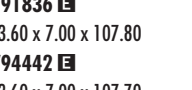
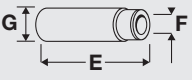


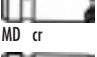



							
BX720 Fibre Composite, 1.350mm BX730 Fibre Composite, 1.750mm	DX721		HBS102 ⊕ M10x1.50x113.00mm (x5)	JC956 ■ JD5316 ■ JD418 ■	JN789	HR646 ■	NA5016 35.00x47.00x7.00mm FPM/ACM NA5053 30.00x42.00x7.00mm FPM










BX720

BX730

408	 75.80	Petrol				
K7J 700	4 Cyl.	9.5:1	1390cc	55kW (75)PS	TD17470	1165
K7J 701	4 Cyl.	9.5:1	1390cc	55kW (75)PS	TD17851	1165
KANGOO	08/97 →	THALIA	08/00 →			



					
TB529 96x17	TBK096 Component No:TB529;AE1134TP		KIT		








				
B x C x D	OE	MAT.	Ex F x G	
V91835 ■	7701 465 088		30°	H
37.50 x 7.00 x 107.80		MB		
V91836 ■	7701 465 090		45°	
33.60 x 7.00 x 107.80		MD cr		
V94442 ■	7701 468 419		45°	H
33.60 x 7.00 x 107.70		MG		
			VAG96182B ■	
			42.00 x 7.02 x 12.08	
			VAG96172B ■	
			49.00 x 7.02 x 12.08	

							
BY030 Fibre Composite	HBS102 Ⓢ M10x1.50x113.00mm (x5)	JD5315 ■ JD418 ■		JN789	HR646 ■	NA5016 35.00x47.00x7.00mm FPM/ACM	NA5053 30.00x42.00x7.00mm FPM



BY030

409	 76.00	Petrol				
847 712	4 Cyl.	9.25:1	1397cc	42-43kW (58-59)PS	TD3068	1167
847.99	4 Cyl.	9.3:1	1397cc	51kW (70)PS	TD3071	1166
5	06/82 → 09/84					

						
BH690 Fibre Composite, 1.200mm	DH690 ○ [11]	HBS104 △ M10x1.50x100.00mm (x10)	JB851	JN600	HR643 ■	NF535 30.00x42.00x8.00mm NBR



BH690



[11] Without gaskets/seals




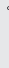




[11] Sans joints

[11] Senza guarnizioni

[11] Sin juntas



RENAULT/DACIA

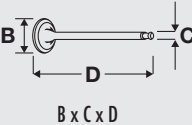




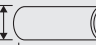
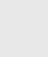
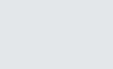



410	 76.00	Petrol					
840 725	4 Cyl.	10:1	1397cc	68kW (92)PS		TD3052	1167
840 726	4 Cyl.	8.6:1	1397cc	81kW (110)PS	Turbo	TD3053	1168
840 730	4 Cyl.	7:1	1397cc	77kW (105)PS	Turbo Intercooled	TD3054	1169
5	09/77 → 03/85	SUPER 5	01/85 → 05/91				




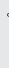




							
BF730 Fibre Composite, 1.400mm	DF731 ○ [11]				JN369		NF535 30.00x42.00x8.00mm NBR



BF730
 [11] Without gaskets/seals [11] Sans joints [11] Senza guarnizioni [11] Sin juntas

411	 76.00	Petrol					
847 700	4 Cyl.	8.25:1	1397cc	47kW (64)PS		TD3067	1170
847 701	4 Cyl.	9.25:1	1397cc	47kW (64)PS		TD3072	1170
847 722	4 Cyl.	9.25:1	1397cc	47kW (64)PS		TD4853	1172
18	04/78 → 07/86	TRAFIC	03/80 → 04/89				

							
V91317 ■ 34.00 x 7.00 x 91.50	OE 7701 462 137	MAT.  MB	45°	H			VAG50758 ■ ■ ■ 41.50 x 7.00 x 11.15
V91834 ■ 29.00 x 7.00 x 89.00	7701 460 690	 MD	45°				

							
BH690 Fibre Composite, 1.200mm	DH690 ○ [11]		HBS104 △ M10x1.50x100.00mm (x10)	JB851	JN600	HR643 ■	NF535 30.00x42.00x8.00mm NBR



BH690
 [11] Without gaskets/seals [11] Sans joints [11] Senza guarnizioni [11] Sin juntas

412	76.00	Petrol				
847 720	4 Cyl.	9.25:1	1397cc	47kW (64)PS	TD5054	1171
18	04/78→07/86	FUEGO	02/80→10/85			

B x C x D	OE	MAT.			E x F x G
V91317	7701 462 137		45°	H	VAG50758
34.00 x 7.00 x 91.50		MB			41.50 x 7.00 x 11.15
V91834	7701 460 690		45°		
29.00 x 7.00 x 89.00		MD			

BH690 Fibre Composite, 1.200mm	DH690 [11]	GH691 [14]	HBS104	JB851	JN600	HR643	NF535
			M10x1.50x100.00mm (x10)				30.00x42.00x8.00mm NBR

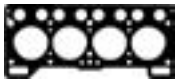


BH690	[11] Without gaskets/seals	[11] Sans joints	[11] Senza guarnizioni	[11] Sin juntas
	[14] With gaskets/seals;	[14] Avec joints; avec deux bagues	[14] Con guarnizioni; con anello	[14] Con juntas; con segmentos
	With cylinder sleeve ring	de chemises de cylindre	tenuta canna cilindro	para camisa

413	76.00	Petrol				
847 725	4 Cyl.	9.25:1	1397cc	43-46kW (59-63)PS	TD3070	1172
5	01/82→12/85					

B x C x D	OE	MAT.			E x F x G
V91317	7701 462 137		45°	H	VAG50758
34.00 x 7.00 x 91.50		MB			41.50 x 7.00 x 11.15
V91261	7701 461 214		45°		
29.00 x 7.00 x 89.00		MD			
V91834	7701 460 690		45°		
29.00 x 7.00 x 89.00		MD			

BH690 Fibre Composite, 1.200mm	DH690 [11]		HBS104	JB851	JN600	HR643	NF535
			M10x1.50x100.00mm (x10)				30.00x42.00x8.00mm NBR



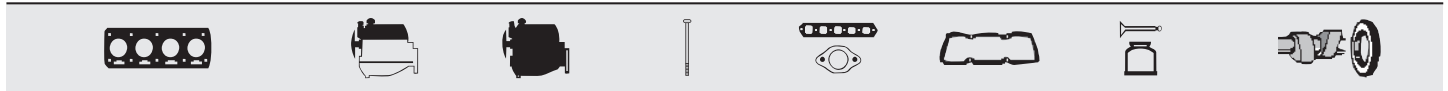
BH690	[11] Without gaskets/seals	[11] Sans joints	[11] Senza guarnizioni	[11] Sin juntas
--------------	----------------------------	------------------	------------------------	-----------------

414

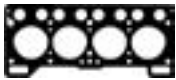

76.00
Petrol


C1J 700	4 Cyl.	8.25:1	1397cc	35-36kW (48-50)PS	TD3122	1171
TRAFIC 03/80→06/91						

<p>B x C x D</p>	OE	MAT.		<p>E x F x G</p>
V91317 34.00 x 7.00 x 91.50 V91834 29.00 x 7.00 x 89.00	7701 462 137 7701 460 690	 	45° 45°	H VAG50758 41.50 x 7.00 x 11.15



BH690 Fibre Composite, 1.200mm	DH690 ○ [11]	GH690 ○ [13]	HBS104 M10x1.50x100.00mm (x10)	JB997	JN600	HR646
---------------------------------------	---------------------	---------------------	--	--------------	--------------	--------------



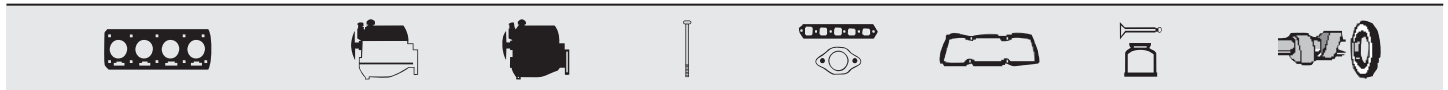
BH690	[11] Without gaskets/seals	[11] Sans joints	[11] Senza guarnizioni	[11] Sin juntas
	[13] Without crankshaft seal;	[13] Sans bague d'étanchéité - vilebrequin;avec	[13] Senza paraolio-albero a gomiti;	[13] Sin cigüeñal retén;
	With cylinder sleeve ring	deux bagues de chemises de cylindre	con anello tenuta canna cilindro	con segmentos para camisa

415


76.00
Petrol


C1J 715	4 Cyl.	9.25:1	1397cc	44kW (60)PS	TD3123	1173
C1J 742	4 Cyl.	9.25:1	1397cc	43-44kW (58-60)PS	TD3125	1174
C1J 768	4 Cyl.	9:1	1397cc	43-44kW (58-60)PS	TD3128	1178
C1J 780	4 Cyl.	9.25:1	1397cc	43kW (58)PS	TD3130	1173
C2J 770	4 Cyl.	9:1	1397cc	51kW (69)PS	TD3153	1188
C2J 772	4 Cyl.	9:1	1397cc	43kW (58)PS	TD3154	1189
C2J 782	4 Cyl.	9:1	1397cc	49kW (67)PS	TD3158	1190
C2J 784	4 Cyl.	9:1	1397cc	44kW (60)PS	TD3161	1190
9	12/81→12/88	11	03/83→12/88	19	07/88→09/94	
21	06/88→10/93	RAPID	07/85→08/91	SUPER 5	10/84→08/90	

<p>B x C x D</p>	OE	MAT.		<p>E x F x G</p>
V91317 34.00 x 7.00 x 91.50 V91834 29.00 x 7.00 x 89.00	7701 462 137 7701 460 690	 	45° 45°	H VAG50758 41.50 x 7.00 x 11.15



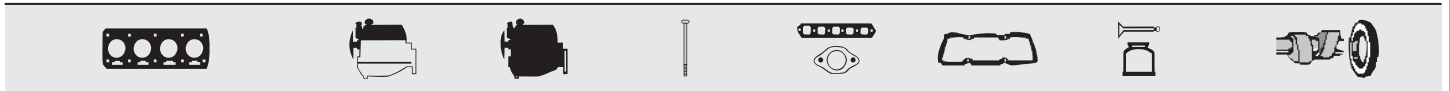
BH690 Fibre Composite, 1.200mm	DH687 [11] DH690 ○ [11] DH692 ○ [11] DH693 ○ [11]		HBS104 M10x1.50x100.00mm (x10)	JC669	JN600	HR646
---------------------------------------	--	--	--	--------------	--------------	--------------




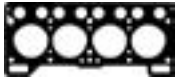
BH690	[11] Without gaskets/seals	[11] Sans joints	[11] Senza guarnizioni	[11] Sin juntas
--------------	----------------------------	------------------	------------------------	-----------------

416 76.00 Petrol

C1J 748 4 Cyl. 1397cc 48kW (65)PS TD27328 1175



BH690 Fibre Composite, 1.200mm	DH687 [11] DH690 ○ [11] DH692 ○ [11] DH693 ○ [11]			JC669	JN600	HR646 	
--------------------------------	--	--	--	-------	-------	---	--

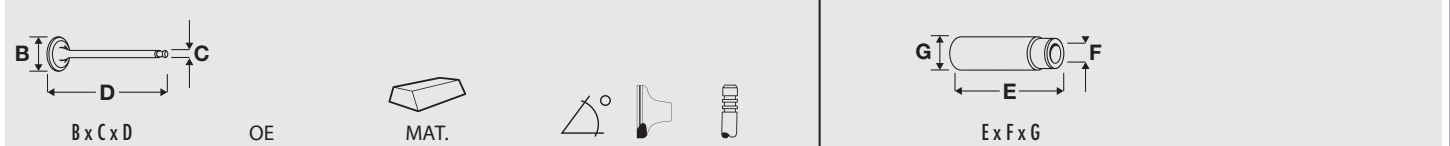






BH690
 [11] Without gaskets/seals [11] Sans joints [11] Senza guarnizioni [11] Sin juntas

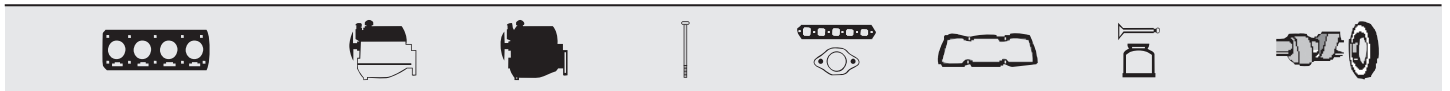
417 76.00 Petrol

C1J 760 4 Cyl. 8.05:1 1397cc 77kW (105)PS Turbo Intercooled TD3126 1176
 C1J 770 4 Cyl. 8.05:1 1397cc 85kW (115)PS Turbo Intercooled TD3129 1179

9 04/84→12/89 11 04/84→12/88



V94320  34.10 x 7.00 x 90.80 V91834  29.00 x 7.00 x 89.00	OE 7701 460 690	MAT. MB cr MD	45° 45°	H	VAG50758   41.50 x 7.00 x 11.15
--	--------------------	---------------------	------------	---	---



BN360 Fibre Composite, 1.900mm	DN360 ○ [11] DN361 ▲ ○ [11]		HBS104  M10x1.50x100.00mm (x10)	JC669	JN600		
--------------------------------	--------------------------------	--	---	-------	-------	--	--



BN360
 [11] Without gaskets/seals [11] Sans joints [11] Senza guarnizioni [11] Sin juntas

RENAULT/DACIA

418



76.00

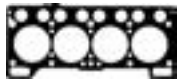
Petrol



C1J 764	4 Cyl.	8:1	1397cc	77kW (105)PS	Turbo Intercooled	TD3127	1177
9	04/84→12/89	11	02/84→12/86				

<p>B x C x D</p>	OE	MAT.		<p>E x F x G</p>
V91317 34.00 x 7.00 x 91.50 V91834 29.00 x 7.00 x 89.00	7701 462 137 7701 460 690	 	45° 45°	VAG50758 41.50 x 7.00 x 11.15

BN360 Fibre Composite, 1.900mm	DN360 ○ [11] DN361 ▲ ○ [11]		HBS104 M10x1.50x100.00mm (x10)	JC669	JN600		



BN360
 [11] Without gaskets/seals [11] Sans joints [11] Senza guarnizioni [11] Sin juntas

419



76.00

Petrol



C1J 782	4 Cyl.	8:1	1397cc	85/88kW (115/120)PS	Turbo Intercooled	TD3131	1179
C1J 784	4 Cyl.	8:1	1397cc	85-88kW (115-120)PS	Turbo Intercooled	TD3133	1180
C1J 788	4 Cyl.	8:1	1397cc	85/88kW (115/120)PS	Turbo Intercooled	TD3134	1179
11	10/86→12/88	SUPER 5	04/85→08/90				

<p>B x C x D</p>	OE	MAT.		<p>E x F x G</p>
V91317 34.00 x 7.00 x 91.50 V91261 29.00 x 7.00 x 89.00 V91834 29.00 x 7.00 x 89.00	7701 462 137 7701 461 214 7701 460 690	 	45° 45° 45°	VAG50758 41.50 x 7.00 x 11.15

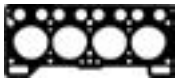
BN360 Fibre Composite, 1.900mm	DN360 ○ [11] DN361 ▲ ○ [11]		HBS104 M10x1.50x100.00mm (x10)	JC669	JN600		



BN360
 [11] Without gaskets/seals [11] Sans joints [11] Senza guarnizioni [11] Sin juntas

420	76.00	Petrol				
C1J 791	4 Cyl.	9.25:1	1397cc	49kW (67)PS	TD23611	1181
C3J 756	4 Cyl.	9:1	1397cc	43kW (58)PS	TD3177	1186
12	08/76→08/80					

BH690 Fibre Composite, 1.200mm	DH687 [11] DH690 ○ [11] DH692 ○ [11] DH693 ○ [11]		HBS104 M10x1.50x100.00mm (x10)	JC669	JN600	HR646	



BH690
 [11] Without gaskets/seals [11] Sans joints [11] Senza guarnizioni [11] Sin juntas

421	76.00	Petrol				
C1J 792	4 Cyl.	9.25:1	1397cc	44kW (60)PS	TD3135	1182
C1J 796	4 Cyl.	9.25:1	1397cc	44kW (60)PS	TD3136	1182
C2J 717	4 Cyl.	9.25:1	1397cc	53kW (72)PS	TD3141	1185
C2J 718	4 Cyl.	9.25:1	1397cc	49-50kW (67-68)PS	TD3143	1181
C2J 720	4 Cyl.	9.25:1	1397cc	49kW (67)PS	TD3144	1181
C2J 730	4 Cyl.	9.25:1	1397cc	44kW (60)PS	TD3145	1181
C2J 755	4 Cyl.	9.25:1	1397cc	53kW (72)PS	TD5445	1181
C2J 757	4 Cyl.	9.25:1	1397cc	49-50kW (67-68)PS	TD3147	1181
C2J 766	4 Cyl.	9.25:1	1397cc	49kW (67)PS	TD3149	1181
C2J 767	4 Cyl.	9.25:1	1397cc	49kW (67)PS	TD3151	1181
C2J 768	4 Cyl.	9.25:1	1397cc	49-50kW (67-68)PS	TD3152	1187
C3J 700	4 Cyl.	9:1	1397cc	43-44kW (58-60)PS	TD4856	1173
C3J 702	4 Cyl.	9:1	1397cc	43-44kW (58-60)PS	TD3175	1173
C3J 710	4 Cyl.	9.2:1	1397cc	43-44kW (58-60)PS	TD3176	1189
C3J 760	4 Cyl.	9:1	1397cc	43-44kW (58-60)PS	TD3179	1173
C3J 762	4 Cyl.	9:1	1397cc	43-44kW (58-60)PS	TD3180	1185
9	09/81→12/88	11	03/83→12/88	19	07/88→12/95	
RAPID	08/88→03/98	SUPER 5	09/85→12/96			

V91317 34.00 x 7.00 x 91.50	7701 462 137	 MAT.	45°	 H	VAG50758 41.50 x 7.00 x 11.15		
V91261 29.00 x 7.00 x 89.00	7701 461 214	 MD	45°				
V91834 29.00 x 7.00 x 89.00	7701 460 690	 MD	45°				

BH690 Fibre Composite, 1.200mm	DH687 [11] DH690 ○ [11] DH692 ○ [11] DH693 ○ [11]		HBS104 M10x1.50x100.00mm (x10)	JC669	JN600	HR646	



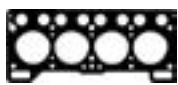
BH690
 [11] Without gaskets/seals [11] Sans joints [11] Senza guarnizioni [11] Sin juntas

RENAULT/DACIA

422	76.00	Petrol			
C2J 700	4 Cyl.	9:1	1397cc	52-53kW (71-72)PS	TD3137 1173
SUPER 5 10/84→07/89					

B x C x D	OE	MAT.	45°	H	E x F x G
V91317	7701 462 137		45°	H	VAG50758
34.00 x 7.00 x 91.50		MB			41.50 x 7.00 x 11.15
V91834	7701 460 690	MD	45°		
29.00 x 7.00 x 89.00					

BH690 Fibre Composite, 1.200mm	DH690 [11]		HBS104 M10x1.50x100.00mm (x10)	JC669	JN600	HR646	NF817 36.00x50.00x7.00mm FPM



BH690
 [11] Without gaskets/seals [11] Sans joints [11] Senza guarnizioni [11] Sin juntas

423	76.00	Petrol			
C2J 713	4 Cyl.	9.25:1	1397cc	46kW (63)PS	TD3138 1184
5 01/82→12/85					

BH690 Fibre Composite, 1.200mm			HBS104 M10x1.50x100.00mm (x10)	JB851	JN600	HR646	NF535 30.00x42.00x8.00mm NBR



BH690

424	76.00	Petrol			
C2J 756	4 Cyl.	9.25:1	1397cc	49kW (67)PS	TD3146 1186
C2J 792	4 Cyl.	9.25:1	1397cc	53kW (72)PS	TD3164 1166
C2J 794	4 Cyl.	9.25:1	1397cc	46-49kW (63-67)PS	TD3165 1166
C2J 796	4 Cyl.	9.25:1	1397cc	53kW (72)PS	TD3166 1186
C2J 797	4 Cyl.	9:1	1397cc	53kW (72)PS	TD3167 1186

			HBS104 M10x1.50x100.00mm (x10)				

425	76.00	Petrol				
C2J 760	4 Cyl.	9.25:1	1397cc	51kW (70)PS	TD3148	1186
C2J 776	4 Cyl.	9.2:1	1397cc	50kW (68)PS	TD3155	1166
C2J 780	4 Cyl.	9:1	1397cc	52-53kW (71-72)PS	TD3156	1181
C2J 781	4 Cyl.	9:1	1397cc	52-53kW (71-72)PS	TD3157	1181
C2J 788	4 Cyl.	9:1	1397cc	52-53kW (71-72)PS	TD3162	1181
C2J 789	4 Cyl.	9:1	1397cc	52-53kW (71-72)PS	TD3163	1181
C2J 798	4 Cyl.	9:1	1397cc	52-53kW (71-72)PS	TD3168	1181

SUPER 5 10/84 → 07/89

B x C x D	E x F x G
OE	MAT.
V91317	VAG50758
34.00 x 7.00 x 91.50	41.50 x 7.00 x 11.15
V91834	
29.00 x 7.00 x 89.00	

BH690 Fibre Composite, 1.200mm	DF690 [11]		HBS104 M10x1.50x100.00mm (x10)	JC669	JN600		NF817 36.00x50.00x7.00mm FPM



BH690
 [11] Without gaskets/seals [11] Sans joints [11] Senza guarnizioni [11] Sin juntas

426	76.00	Petrol					
C6J 750	4 Cyl.	8.6:1	1397cc	79-81kW (108-110)PS	Turbo	TD9392	1175

5 10/81 → 01/85

BF730 Fibre Composite, 1.400mm	DF731 [11]						



BF730
 [11] Without gaskets/seals [11] Sans joints [11] Senza guarnizioni [11] Sin juntas

427	76.00	Diesel				
K9K 608	4 Cyl.		1461cc	66kW (90)PS	TD27682	1192
K9K 612	4 Cyl.		1461cc	55kW (75)PS	TD27683	1192

CLIO 11/12 → **CLIO Grandtour** 01/13 →

TB713	TBK273		KIT		
123x27	Component No:TB713;AE1156TP				

				JD5402		HR817	NA5215 28.00x42.00x5.00mm FPM

428


76.00
Diesel


K9K 612	4 Cyl.		1461cc	55-66kW (75-90)PS	TD28005	1191
K9K 636	4 Cyl.	15.2:1	1461cc	81kW (110)PS	TD28220	1192
DOKKER	11/12→		DOKKER Express	12/12→	GRAND SCÉNIC	04/09→
LOGAN	10/12→		LOGAN MCV	02/13→	MEGANE	02/09→
SANDERO	01/13→		SCÉNIC	04/09→		

TB713	TBK273		KIT			
123x27	Component No:TB713;AE1156TP					

				JD5402		HR817	NA5215 28.00x42.00x5.00mm FPM

429


76.00
Diesel


K9K 700 Euro 3	4 Cyl.	18.80:1	1461cc	48kW (65)PS	Turbo	TD16219	1193
K9K 702 Euro 3	4 Cyl.	18.8:1	1461cc	60kW (81)PS	Turbo Intercooled	TD16344	1193
K9K 704 Euro 3	4 Cyl.	18.8:1	1461cc	48kW (65)PS	Turbo Intercooled	TD16343	1193
K9K 710 Euro 3	4 Cyl.	18.8:1	1461cc	60kW (81)PS	Turbo	TD17488	1193
K9K 712 Euro 3	4 Cyl.	18.8:1	1461cc	74kW (100)PS	Turbo Intercooled	TD18419	1196
K9K 714 Euro 4	4 Cyl.	18.8:1	1461cc	50kW (68)PS	Turbo	TD21173	1197
K9K 722 Euro 3	4 Cyl.	18.8:1	1461cc	60kW (81)PS	Turbo	TD16534	1194
K9K 766 Euro 4	4 Cyl.	17.9:1	1461cc	63kW (86)PS	Turbo Intercooled	TD18537	1196

CLIO	06/01→		CLIO Grandtour	02/08→	GRAND SCÉNIC	04/04→
KANGOO	12/01→		MEGANE	11/02→	MODUS / GRAND MODUS	12/04→
SCÉNIC	06/03→		THALIA	06/01→		

TB713	TBK273	CAM921 [8]	KIT			
123x27	Component No:TB713;AE1156TP	CAM736 [9]				



[8] With sensor [8] Avec capteur [8] Con sensore [8] Con sensor
 [9] Without sensor [9] Sans capteur [9] Senza sensore [9] Sin sensor









V94608	V94609	MAT.	MAT.	MAT.	MAT.	MAT.	MAT.
33.50 x 6.00 x 100.90	29.00 x 6.00 x 100.70	7701 476 573	7701 476 572	45°	45°	Y	H
		MB	MG				



AE5200	CE5200	HBS299	JD5402	JM7054	HR817	NA5215
→05/04		M11x1.50x125.00mm (x10)	KK5643	(NBR)		28.00x42.00x5.00mm FPM
AG9490						
05/04→						



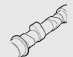














AE5200
 [17] Diamètre [mm]: 77.5;Weight [kg]: 0.277 [17] Diamètre [mm]: 77.5;Poids [kg]: 0.277 [17] Diametro [mm]: 77.5;Peso [kg]: 0.277 [17] Diámetro [mm]: 77.5;Peso[kg]: 0.277

430		76.00	Diesel				
K9K 706	4 Cyl.	18.8:1	1461cc	48-50kW (65-68)PS	Turbo Intercooled	TD20974	1194
K9K 794	4 Cyl.	18.3:1	1461cc	48-50kW (65-68)PS	Turbo Intercooled	TD23795	1195
K9K 820	4 Cyl.	17.9:1	1461cc	55kW (75)PS	Turbo	TD25692	1192
K9K F 830	4 Cyl.	17.6:1	1461cc	63kW (86)PS	Turbo	TD23566	1192
MEGANE	11/08 →	TWINGO	10/10 →				



							
AG9490 MLS, 0.75mm [17]	CE5200 ▲		HBS299 ⊕ M11x1.50x125.00mm (x10)	JD5402 ⊞	JM7054 (NBR)	HR817 ⊞	NA5215 28.00x42.00x5.00mm FPM
[17] Diameter [mm]: 77.5;Weight [kg]: 0.277	[17] Diamètre [mm]: 77.5;Poids [kg]: 0.277		[17] Diametro [mm]: 77.5;Peso [kg]: 0.277	[17] Diámetro [mm]: 77.5;Peso[kg]: 0.277			



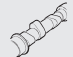









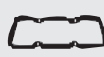


431		76.00	Diesel				
K9K 716	4 Cyl.	18.8:1	1461cc	60kW (82)PS	Turbo	TD22179	1198
CLIO	11/03 →						

							
TB713 123x27	TBK273 Component No:TB713;AE1156TP		KIT				
							
AE5200 MLS →05/04 AG9490 MLS, 0.75mm [17] 05/04 →	CE5200 ▲		HBS299 ⊕ M11x1.50x125.00mm (x10)	JD5402 ⊞ ⊞ KK5643	JM7054 (NBR)	HR817 ⊞	NA5215 28.00x42.00x5.00mm FPM



AE5200
[17] Diameter [mm]: 77.5;Weight [kg]: 0.277 [17] Diamètre [mm]: 77.5;Poids [kg]: 0.277 [17] Diametro [mm]: 77.5;Peso [kg]: 0.277 [17] Diámetro [mm]: 77.5;Peso[kg]: 0.277

432		76.00	Diesel				
K9K 718 Euro 4	4 Cyl.	18.8:1	1461cc	62kW (84)PS	Turbo Intercooled	TD21171	1196
K9K 750 Euro 3	4 Cyl.	18.3:1	1461cc	57-65kW (78-88)PS	Turbo Intercooled	TD21133	1193
CLIO	02/07 →	KANGOO	06/05 →	MODUS / GRAND MODUS	09/04 →		
THALIA	09/08 →	TWINGO	04/08 →				

							
TB713 123x27	TBK273 Component No:TB713;AE1156TP	CAM921 [8] CAM736 [9]	KIT				
[8] With sensor [9] Without sensor	[8] Avec capteur [9] Sans capteur	[8] Con sensore [9] Senza sensore	[8] Con sensor [9] Sin sensor				
							
AE5200 MLS →05/04 AG9490 MLS, 0.75mm [17] 05/04 →	CE5200 ▲		HBS299 ⊕ M11x1.50x125.00mm (x10)	JD5402 ⊞ ⊞ KK5643	JM7054 (NBR)	HR817 ⊞	NA5215 28.00x42.00x5.00mm FPM



AE5200
[17] Diameter [mm]: 77.5;Weight [kg]: 0.277 [17] Diamètre [mm]: 77.5;Poids [kg]: 0.277 [17] Diametro [mm]: 77.5;Peso [kg]: 0.277 [17] Diámetro [mm]: 77.5;Peso[kg]: 0.277

433



76.00

Diesel



K9K 724 Euro 4	4 Cyl.	18.8:1	1461cc	63kW (86)PS	Turbo Intercooled	TD20988	1196
K9K 768 Euro 4	4 Cyl.	17.9:1	1461cc	50kW (68)PS	Turbo	TD18536	1197
K9K 792	4 Cyl.	18.3:1	1461cc	50kW (68)PS	Turbo Intercooled	TD21439	1197
K9K 792 Euro 4	4 Cyl.	17.9:1	1461cc	50kW (68)PS	Turbo Intercooled	TD19223	1197

CLIO	06/05 →	CLIO Grandtour	02/08 →	LOGAN	01/06 →
LOGAN MCV	02/07 →	MEGANE	05/05 →	MODUS / GRAND MODUS	12/04 →
SANDERO	11/08 →	SCÉNIC	05/05 →		

TB713	TBK273		KIT		
123x27	Component No:TB713;AE1156TP				

B x C x D	E x F x G
V94608 ■	V94609 ■
33.50 x 6.00 x 100.90	29.00 x 6.00 x 100.70
OE: 7701 476 573	OE: 7701 476 572
MAT. MB	MAT. MG
45° Y H	45° H

--	--	--	--	--	--	--	--

AG9490 MLS, 0.75mm [17]	CE5200 ▲	HBS299 ⊕	JD5402 ■	JM7054 (NBR)	HR817 ■	NA5215
		M11x1.50x125.00mm (x10)	⊖ KK5643			28.00x42.00x5.00mm FPM

[17] Diameter [mm]: 77.5;Weight [kg]: 0.277

[17] Diamètre [mm]: 77.5;Poids [kg]: 0.277

[17] Diametro [mm]: 77.5;Peso [kg]: 0.277

[17] Diámetro [mm]: 77.5;Peso[kg]: 0.277

434

76.00

Diesel



K9K 728 Euro 3	4 Cyl.	18.8:1	1461cc	74kW (101)PS	Turbo Intercooled	TD20706	1196
K9K 729 Euro 3	4 Cyl.	18.8:1	1461cc	74kW (101)PS	Turbo Intercooled	TD20707	1196
K9K 752 Euro 3	4 Cyl.	18.8:1	1461cc	48-50kW (65-68)PS	Turbo Intercooled	TD21134	1193
K9K 790	4 Cyl.	18.3:1	1461cc	48kW (65)PS	Turbo Intercooled	TD18514	1194
K9K 796	4 Cyl.	18.8:1	1461cc	63kW (86)PS	Turbo Intercooled	TD22403	1203
K9K 796	4 Cyl.	18.8:1	1461cc	63kW (86)PS	Turbo Intercooled	TD26080	1202

CLIO	05/05→	CLIO Grandtour	02/10→	DUSTER	04/10→
GRAND SCÉNIC	04/04→	LOGAN	09/05→	LOGAN MCV	09/07→
MEGANE	10/03→	MODUS / GRAND MODUS	12/04→	SANDERO	11/08→
SCÉNIC	11/03→				

TB713 123x27	TBK273 Component No:TB713;AE1156TP	CAM921 [8] CAM736 [9]			
[8] With sensor [9] Without sensor	[8] Avec capteur [9] Sans capteur	[8] Con sensore [9] Senza sensore	[8] Con sensor [9] Sin sensor		

V94608 ■ 33.50 x 6.00 x 100.90	V94609 ■ 29.00 x 6.00 x 100.70	MAT. MB MG	45°	Y	H	E x F x G
7701 476 573	7701 476 572					

AG9490 MLS, 0.75mm [17]	CE5200 ▲	HBS299 ⊕ M11x1.50x125.00mm (x10)	JD5402 ■ ☞ KK5643	JM7054 (NBR)	HR817 ■	NA5215 28.00x42.00x5.00mm FPM
[17] Diameter [mm]: 77.5;Weight [kg]: 0.277	[17] Diamètre [mm]: 77.5;Poids [kg]: 0.277		[17] Diametro [mm]: 77.5;Peso [kg]: 0.277		[17] Diámetro [mm]: 77.5;Peso[kg]: 0.277	

RENAULT/DACIA

435

76.00

Diesel



K9K 732 Euro 4	4 Cyl.	18.8:1	1461cc	78kW (106)PS	Turbo Intercooled	TD20829	1199
K9K 734	4 Cyl.	18.8:1	1461cc	78kW (106)PS	Turbo Intercooled	TD22192	1191
K9K 780 Euro 4	4 Cyl.	15.6:1	1461cc	76kW (103)PS	Turbo Intercooled	TD20817	1199
K9K P 732	4 Cyl.	18.8:1	1461cc	78kW (106)PS	Turbo	TD19693	1199

GRAND SCÉNIC	05/05 →	LAGUNA	10/07 →	MEGANE	05/05 →
SCÉNIC	05/05 →				

TB713 123x27	TBK273 Component No:TB713;AE1156TP				

B x C x D	E x F x G
V94608 ■ 33.50 x 6.00 x 100.90	V94609 ■ 29.00 x 6.00 x 100.70
7701 476 573	7701 476 572
MB	MG
45°	45°
Y	H
H	H

AG9490 MLS, 0.75mm [17]	CE5200 ▲	HBS299 ⊕ M11x1.50x125.00mm (x10)	JD5402 ■ ⊕ KK5643	JM7054 (NBR)	HR817 ■	NA5215 28.00x42.00x5.00mm FPM
[17] Diameter [mm]: 77.5;Weight [kg]: 0.277	[17] Diamètre [mm]: 77.5;Poids [kg]: 0.277	[17] Diametro [mm]: 77.5;Peso [kg]: 0.277	[17] Diámetro [mm]: 77.5;Peso [kg]: 0.277	[17] Diámetro [mm]: 77.5;Peso [kg]: 0.277	[17] Diámetro [mm]: 77.5;Peso [kg]: 0.277	[17] Diámetro [mm]: 77.5;Peso [kg]: 0.277

436

76.00

Diesel



K9K 740 Euro 4	4 Cyl.	18.8:1	1461cc	47kW (64)PS	Turbo Intercooled	TD20446	1197
K9K 760 Euro 4	4 Cyl.	18.8:1	1461cc	50kW (68)PS	Turbo	TD21135	1196
K9K 762 Euro 4	4 Cyl.	18.8:1	1461cc	50kW (68)PS	Turbo	TD20922	1197
K9K 770	4 Cyl.	17.9:1	1461cc	55-65kW (75-88)PS	Turbo	TD25691	1200
K9K 772	4 Cyl.	15.6:1	1461cc	63-76kW (86-103)PS	Turbo	TD23549	1198

CLIO	06/05 →	CLIO Grandtour	02/08 →	MODUS / GRAND MODUS	12/04 →
THALIA	06/05 →	TWINGO	03/07 →		

TB713 123x27	TBK273 Component No:TB713;AE1156TP				

AG9490 MLS, 0.75mm [17]	CE5200 ▲	HBS299 ⊕ M11x1.50x125.00mm (x10)	JD5402 ■ ⊕ KK5643	JM7054 (NBR)	HR817 ■	NA5215 28.00x42.00x5.00mm FPM
[17] Diameter [mm]: 77.5;Weight [kg]: 0.277	[17] Diamètre [mm]: 77.5;Poids [kg]: 0.277	[17] Diametro [mm]: 77.5;Peso [kg]: 0.277	[17] Diámetro [mm]: 77.5;Peso [kg]: 0.277	[17] Diámetro [mm]: 77.5;Peso [kg]: 0.277	[17] Diámetro [mm]: 77.5;Peso [kg]: 0.277	[17] Diámetro [mm]: 77.5;Peso [kg]: 0.277

437

76.00

Diesel



K9K 764 Euro 4 4 Cyl. 15.6:1 1461cc **78kW (106)PS** **Turbo Intercooled** **TD18538** **1199**

CLIO 06/05→ **CLIO Grandtour** 02/08→ **MODUS / GRAND MODUS** 05/05→

TB713 123x27	TBK273 Component No:TB713;AE1156TP		KIT		

B x C x D	OE	MAT.	45°	Y	H
V94608	7701 476 573		45°	Y	H
33.50 x 6.00 x 100.90		MB			
V94609	7701 476 572		45°		H
29.00 x 6.00 x 100.70		MG			

AE5200 MLS →05/04 AG9490 MLS, 0.75mm [17]	CE5200 ▲		HBS299 M11x1.50x125.00mm (x10)	JD5402 KK5643	JM7054 (NBR)	HR817	NA5215 28.00x42.00x5.00mm FPM



AE5200
[17] Diamètre [mm]: 77.5;Weight [kg]: 0.277 [17] Diamètre [mm]: 77.5;Poids [kg]: 0.277 [17] Diametro [mm]: 77.5;Peso [kg]: 0.277 [17] Diámetro [mm]: 77.5;Peso[kg]: 0.277

438

76.00

Diesel



K9K 790 4 Cyl. 18.3:1 1461cc **48kW (65)PS** **Turbo Intercooled** **TD21438** **1194**

TB713 123x27	TBK273 Component No:TB713;AE1156TP	CAM921 [8] CAM736 [9]			



[8] With sensor [8] Avec capteur [8] Con sensore [8] Con sensor
[9] Without sensor [9] Sans capteur [9] Senza sensore [9] Sin sensor

B x C x D	OE	MAT.	45°	Y	H
V94608	7701 476 573		45°	Y	H
33.50 x 6.00 x 100.90		MB			
V94609	7701 476 572		45°		H
29.00 x 6.00 x 100.70		MG			







AG9490 MLS, 0.75mm [17]	CE5200 ▲		HBS299 M11x1.50x125.00mm (x10)	JD5402 	JM7054 (NBR)	HR817	NA5215 28.00x42.00x5.00mm FPM


[17] Diamètre [mm]: 77.5;Weight [kg]: 0.277 [17] Diamètre [mm]: 77.5;Poids [kg]: 0.277 [17] Diametro [mm]: 77.5;Peso [kg]: 0.277 [17] Diámetro [mm]: 77.5;Peso[kg]: 0.277

RENAULT/DACIA

439	 76.00	Diesel					
K9K 800	4 Cyl.	18.8:1	1461cc	63kW (86)PS	Turbo Intercooled	TD22193	1198
K9K 802 Euro 4	4 Cyl.	15.6:1	1461cc	63kW (86)PS	Turbo Intercooled	TD20830	1196
K9K 804 Euro 4	4 Cyl.	15.6:1	1461cc	78kW (106)PS	Turbo Intercooled	TD20831	1199
K9K 806 Euro 4 FAP	4 Cyl.	15.6:1	1461cc	76kW (103)PS	Turbo Intercooled	TD20832	1199
K9K 808	4 Cyl.	15.6:1	1461cc	66kW (90)PS	Turbo Intercooled	TD26258	1200

KANGOO / GRAND KANGOO 02/08 → **KANGOO** 02/08 → **KANGOO BE BOP** 02/09 →









					
TB713 123x27	TBK273 Component No:TB713;AE1156TP		KIT		


							
AG9490 MLS, 0.75mm [17]			HBS299  M11x1.50x125.00mm (x10)	JD5402 	JM7054 (NBR)	HR817 	NA5215 28.00x42.00x5.00mm FPM

[17] Diameter [mm]: 77.5;Weight [kg]: 0.277 [17] Diamètre [mm]: 77.5;Poids [kg]: 0.277 [17] Diametro [mm]: 77.5;Peso [kg]: 0.277 [17] Diámetro [mm]: 77.5;Peso[kg]: 0.277

440	 76.00	Diesel	
------------	--	---------------	---







K9K 812	4 Cyl.	15.6:1	1461cc	60kW (82)PS	Turbo Intercooled	TD24967	1192
----------------	--------	--------	--------	--------------------	--------------------------	----------------	-------------













							
							NA5215 28.00x42.00x5.00mm FPM

441	 76.00	Diesel	
------------	--	---------------	---

K9K 830	4 Cyl.	17.6:1	1461cc	63kW (86)PS	Turbo	TD25693	1192
----------------	--------	--------	--------	--------------------	--------------	----------------	-------------

FLUENCE	02/10 →	GRAND SCÉNIC	04/09 →	MEGANE	12/09 →
SCÉNIC	04/09 →	TWINGO	10/10 →		

					
TB713 123x27	TBK273 Component No:TB713;AE1156TP		KIT		

							
AG9490 MLS, 0.75mm [17]	CE5200 		HBS299  M11x1.50x125.00mm (x10)	JD5402 	JM7054 (NBR)	HR817 	NA5215 28.00x42.00x5.00mm FPM

[17] Diameter [mm]: 77.5;Weight [kg]: 0.277 [17] Diamètre [mm]: 77.5;Poids [kg]: 0.277 [17] Diametro [mm]: 77.5;Peso [kg]: 0.277 [17] Diámetro [mm]: 77.5;Peso[kg]: 0.277

442		76.00	Diesel				
K9K 832 Euro 4	4 Cyl.	15.3:1	1461cc	78kW (106)PS	Turbo Intercooled	TD23521	1204
K9K 836	4 Cyl.	15.2:1	1461cc	81kW (110)PS	Turbo Intercooled	TD23743	1201
K9K 846 Euro 5	4 Cyl.		1461cc	70kW (95)PS	Turbo Intercooled	TD24579	1192
K9K G 832	4 Cyl.	15.3:1	1461cc	78kW (106)PS	Turbo	TD23522	1192

FLUENCE	06/05 →	GRAND SCÉNIC	02/09 →	LAGUNA	03/12 →
MEGANE	02/09 →	MEGANE CC	06/10 →	SCÉNIC	02/09 →

TB713 123x27	TBK273 Component No:TB713;AE1156TP				

AG9490 MLS, 0.75mm [17]			HBS299 M11x1.50x125.00mm (x10)	JD5402		HR817	NA5215 28.00x42.00x5.00mm FPM
[17] Diameter [mm]: 77.5;Weight [kg]: 0.277		[17] Diamètre [mm]: 77.5;Poids [kg]: 0.277		[17] Diametro [mm]: 77.5;Peso [kg]: 0.277		[17] Diámetro [mm]: 77.5;Peso[kg]: 0.277	

443		76.00	Diesel				
K9K 834	4 Cyl.	15.2:1	1461cc	66kW (90)PS	Turbo Intercooled	TD23742	1201
K9K J 836	4 Cyl.	15.2:1	1461cc	81kW (110)PS	Turbo	TD23567	1201

FLUENCE	02/10 →	MEGANE	02/09 →
----------------	---------	---------------	---------

AG9490 MLS, 0.75mm [17]			HBS299 M11x1.50x125.00mm (x10)	JD5402		HR817	NA5215 28.00x42.00x5.00mm FPM
[17] Diameter [mm]: 77.5;Weight [kg]: 0.277		[17] Diamètre [mm]: 77.5;Poids [kg]: 0.277		[17] Diametro [mm]: 77.5;Peso [kg]: 0.277		[17] Diámetro [mm]: 77.5;Peso[kg]: 0.277	

444		76.00	Diesel				
K9K 837 Euro 5	4 Cyl.	15.2:1	1461cc	81kW (110)PS	Turbo Intercooled	TD26246	1192

FLUENCE	02/10 →	GRAND SCÉNIC	04/09 →	MEGANE	02/09 →
MEGANE CC	06/10 →	SCÉNIC	04/09 →		

TB713 123x27	TBK273 Component No:TB713;AE1156TP				

AG9490 MLS, 0.75mm [17]				JD5402			NA5215 28.00x42.00x5.00mm FPM

445		76.00	Diesel				
K9K 884	4 Cyl.		1461cc	66kW (90)PS		TD27697	1192

DUSTER	06/09 →
---------------	---------

AG9490 MLS, 0.75mm [17]			HBS299 M11x1.50x125.00mm (x10)	JD5402			NA5215 28.00x42.00x5.00mm FPM
[17] Diameter [mm]: 77.5;Weight [kg]: 0.277		[17] Diamètre [mm]: 77.5;Poids [kg]: 0.277		[17] Diametro [mm]: 77.5;Peso [kg]: 0.277		[17] Diámetro [mm]: 77.5;Peso[kg]: 0.277	

RENAULT/DACIA

446	76.00	Diesel				
K9K 892	4 Cyl.	17.6:1	1461cc	55-66kW (75-90)PS	TD24780	1205
K9K 894	4 Cyl.	17.6:1	1461cc	66-67kW (90-91)PS	TD24783	1205
K9K 896	4 Cyl.	17.6:1	1461cc	79kW (107)PS	TD24784	1205
K9K 898	4 Cyl.	17.6:1	1461cc	79-80kW (107-109)PS	TD24785	1205
DUSTER	06/10→	LOGAN	05/10→	LOGAN MCV	05/10→	
SANDERO	05/10→					

TB713	TBK273		KIT				
123x27	Component No:TB713;AE1156TP						

B x C x D	G x E x F	MAT.	45°	Y	H		
V94608 ■	7701 476 573		45°	Y	H		
33.50 x 6.00 x 100.90		MB					
V94609 ■	7701 476 572		45°	H			
29.00 x 6.00 x 100.70		MG					

		JD5402 ■		HR817 ■	NA5215
					28.00x42.00x5.00mm FPM

447	76.00	Diesel					
K9K G 724	4 Cyl.	18.8:1	1461cc	63kW (86)PS	Turbo	TD19692	1196













B x C x D	G x E x F	MAT.	45°	Y	H		
V94608 ■	7701 476 573		45°	Y	H		
33.50 x 6.00 x 100.90		MB					
V94609 ■	7701 476 572		45°	H			
29.00 x 6.00 x 100.70		MG					














AG9490 MLS, 0.75mm [17]	HBS299 ⊕	JD5402 ■	JM7054	HR817 ■	NA5215
05/04→	M11x1.50x125.00mm (x10)		(NBR)		28.00x42.00x5.00mm FPM
[17] Diameter [mm]: 77.5;Weight [kg]: 0.277	[17] Diamètre [mm]: 77.5;Poids [kg]: 0.277	[17] Diametro [mm]: 77.5;Peso [kg]: 0.277		[17] Diámetro [mm]: 77.5;Peso[kg]: 0.277	












448	76.00	Diesel					
K9K H 834	4 Cyl.	15.2:1	1461cc	66kW (90)PS	Turbo	TD23569	1201
MEGANE	11/08→						













TB713	TBK273		KIT				
123x27	Component No:TB713;AE1156TP						












	HBS299 ⊕	JD5402 ■	HR817 ■	NA5215
	M11x1.50x125.00mm (x10)			28.00x42.00x5.00mm FPM

449		76.00	Diesel				
K9K N 837	4 Cyl.	15.2:1	1461cc	81kW (110)PS	Turbo	TD24968	1192
							
				JD5402 		HR817 	NA5215 28.00x42.00x5.00mm FPM

450		77.00	Petrol				
807	4 Cyl.	10.3:1	1565cc	63kW (85)PS	TD3029	1206	
16	09/68 → 08/80						
							
	DG154   [11]			JB855  (x3)			NF492 32.00x45.00x10.00mm NBR
[11] Without gaskets/seals	[11] Sans joints	[11] Senza guarnizioni	[11] Sin juntas				

451		77.00	Petrol				
821	4 Cyl.	8.6:1	1565cc	49kW (66)PS	TD3042	1210	
16	01/71 → 08/80						
							
	DG152  [11]						NF492 32.00x45.00x10.00mm NBR
[11] Without gaskets/seals	[11] Sans joints	[11] Senza guarnizioni	[11] Sin juntas				

452		77.00	Petrol				
807 727	4 Cyl.	10.3:1	1565cc	63kW (85)PS	Turbo	TD3030	1211
A5L 750	4 Cyl.	8.1:1	1565cc	97kW (132)PS	Turbo	TD3089	1212
18	10/80 → 07/86		FUEGO	08/83 → 10/85			
							
BH530 Fibre Composite, 1.400mm				JB855  (x4)			
BT080 Fibre Composite, 1.500mm							
BH530	BT080						

453		77.00	Petrol				
A5L 717	4 Cyl.	8.6:1	1565cc	92kW (125)PS	Turbo	TD3088	1209
A5L 718	4 Cyl.	8.6:1	1565cc	92kW (125)PS	Turbo	TD5430	1209
18	10/82 → 07/86						
							
BH530 Fibre Composite, 1.400mm							
BT080 Fibre Composite, 1.500mm							
BH530	BT080						

RENAULT/DACIA

454	78.00	Diesel				
F8M 700	4 Cyl.	22.5:1	1596cc	40kW (54)PS	TD3282	1215
F8M 720	4 Cyl.	22.5:1	1596cc	40kW (54)PS	TD3283	1216
F8M 730	4 Cyl.	22.5:1	1596cc	40kW (54)PS	TD3284	1216
F8M 736	4 Cyl.	22.5:1	1596cc	40kW (54)PS	TD3285	1216
F8M 760	4 Cyl.	22.5:1	1596cc	40kW (54)PS	TD3286	1216
9	10/82→12/88	11	08/83→12/88	RAPID	03/86→08/98	
SUPER 5	10/84→12/96					

TB189 153x25.4 →01/88 TB258 153x25.4 02/88→	TBK047 →01/88 Component No:TB189; AE1053TP;AE1056GP TBK038 02/88→ Component No:TB258; AE1051TP;AE1052GP		KIT		



V91269 36.30 x 8.00 x 111.70	VAG92329B 39.00 x 8.00 x 13.07
V91267 31.50 x 8.00 x 111.50	VAG92443B 39.00 x 8.00 x 13.25
	VAG96226B 39.00 x 8.02 x 13.13









BL960 Fibre Composite, 1.650mm, 2 Holes →(0.885) mm	DL961 [10]		HBS244 M12x1.50x111.00mm (x10)	JD409	JN732		NF846 25.00x42.00x7.00mm FPM/ACM
BS010 Fibre Composite, 1.650mm, 2 Holes							
BL970 Fibre Composite, 1.750mm, 1 Hole →(0.885)→(0.985) mm							
BS020 Fibre Composite, 1.750mm, 1 Hole							
BL980 Fibre Composite, 1.850mm, 3 Holes →(0.985) mm→							
BS030 Fibre Composite, 1.850mm, 3 Holes							



BL960, BL970, BL980 [10] With gaskets/seals	BS010, BS020, BS030 [10] Avec joints						









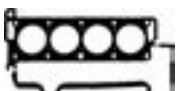
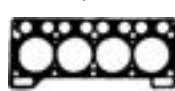
455	79.00	Petrol				
843	4 Cyl.	9.3:1	1647cc	66kW (89)PS	TD3058	1218
16	06/74→08/80	20	10/75→05/77			



	DF871	GF874 [14]		JB855 (x4)	JN250	HR300	NF492 32.00x45.00x10.00mm NBR
[14] With gaskets/seals; With cylinder sleeve ring		[14] Avec joints;avec deux bagues de chemises de cylindre		[14] Con guarnizioni; con anello tenuta canna cilindro		[14] Con juntas; con segmentos para camisa	

456	 79.00	Petrol				
A1M 707	4 Cyl.	8.3:1	1647cc	48-49kW (65-67)PS	TD3082	1218
TRAFIC	03/80→08/86					

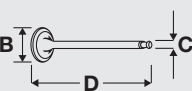







							
	DF873 ○ [10]	GF874 ○ [14]		JC386		HR569 ■	
[10] With gaskets/seals [14] With gaskets/seals; With cylinder sleeve ring	[10] Avec joints [14] Avec joints;avec deux bagues de chemises de cylindre			[10] Con guarnizioni [14] Con guarnizioni; con anello tenuta canna cilindro		[10] Con juntas [14] Con juntas; con segmentos para camisa	









457	 79.00	Petrol					
A7L 752	4 Cyl.		1647cc	80-82kW (109-112)PS	Turbo	TD3093	1225
18	09/82→09/86						

							
BH530 Fibre Composite, 1.400mm BT080 Fibre Composite, 1.500mm				JB855 ■ (x4)			
							
BH530	BT080						

458	 79.50	Petrol				
K4J 700	4 Cyl.	10:1	1390cc	72kW (98)PS	TD16342	1226

					
		CAM727 ■ CAM728 ■			FOL103 (x16)

				
B x C x D	OE	MAT.	45° Y H	E x F x G
V94498 ■ 32.40 x 5.50 x 109.20	7701 472 124		45°	VAG96292B ■ ■ ■ 40.60 x 5.50 x 11.07
V94499 ■ 28.00 x 5.50 x 107.50	7701 473 355		45°	

							
AC5100 MLS, 1.200mm			HBS301 ⊕ M10x1.50x117.00mm (x10)	JD5393 ■ JD5893 ■ (FPM) JD5394 ■	HR397 ■	PA5013 (x16)	NA5215 28.00x42.00x5.00mm FPM NA5016 35.00x47.00x7.00mm FPM/ACM



AC5100

RENAULT/DACIA

459	79.50	Petrol				
K4J 710 Euro 4	4 Cyl.	10:1	1390cc	72kW (98)PS	TD19673	1226
K4J 711 Euro 4	4 Cyl.	10:1	1390cc	72kW (98)PS	TD19672	1226
K4J 712	4 Cyl.	10:1	1390cc	70-72kW (95-98)PS	TD14330	1226
K4J 713	4 Cyl.	10:1	1390cc	72kW (98)PS	TD14331	1226
K4J 714	4 Cyl.	10:1	1390cc	70kW (95)PS	TD16349	1226
K4J 730	4 Cyl.	10:1	1390cc	72kW (98)PS	TD16531	1226
K4J 732	4 Cyl.	10:1	1390cc	60kW (82)PS	TD20910	1226
K4J 750	4 Cyl.	10:1	1390cc	70kW (95)PS	TD13310	1226
K4J 770	4 Cyl.	10:1	1390cc	72kW (98)PS	TD18422	1226
CLIO	10/99→	MEGANE	03/99→	MODUS / GRAND MODUS 12/04→		
SCÉNIC	09/99→	THALIA	08/00→			

TB636 132x27	TBK267 Component No:TB636; AE1138GP;AE1137TP	CAM727 ■ CAM728 ■		FOL103 (x16)

V94498 ■ 32.40 x 5.50 x 109.20	7701 472 124 OE	V94499 ■ 28.00 x 5.50 x 107.50	VAG96292B ■ ■ ■ 40.60 x 5.50 x 11.07
	MAT.	MAT.	MAT.
	45°	45°	
	Y	H	

AC5100 MLS, 1.200mm	CC5100 [10]	HBS301 ⊕ M10x1.50x117.00mm (x10)	JD5393 ■ JD5893 ■ (FPM) JD5394 ■	HR397 ■	PA5013 (x16)	NA5215 28.00x42.00x5.00mm FPM NA5016 35.00x47.00x7.00mm FPM/ACM



AC5100
[10] With gaskets/seals [10] Avec joints [10] Con guarnizioni [10] Con juntas

460	79.50	Petrol				
K4J 715	4 Cyl.	10:1	1390cc	70-72kW (95-98)PS	TD20907	1227
			JD5393 ■ JD5893 ■ (FPM) JD5394 ■		PA5013 (x16)	NA5215 28.00x42.00x5.00mm FPM

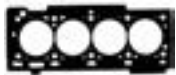
461	79.50	Petrol				
K4J 718	4 Cyl.	10:1	1390cc	70kW (95)PS	TD27308	1228
K4J D 729	4 Cyl.	10:1	1390cc	72kW (98)PS	TD20822	1228
					PA5013 (x16)	

462	79.50	Petrol				
K4J 740	4 Cyl.	10:1	1390cc	72kW (98)PS	TD21 208	1229
MEGANE	11/02→	SCÉNIC	06/03→			

TB636 132x27	TBK267 Component No:TB636; AE1138GP;AE1137TP				FOL103 (x16)

	OE					
V94498	7701 472 124		45°	Y	H	VAG96292B
32.40 x 5.50 x 109.20						40.60 x 5.50 x 11.07
V94499	7701 473 355		45°			
28.00 x 5.50 x 107.50						

AC5100 MLS, 1.200mm	HBS301	JD5393	HR397	PA5013 (x16)	NA5215 28.00x42.00x5.00mm FPM
	M10x1.50x117.00mm (x10)	JD5893			NA5016 35.00x47.00x7.00mm FPM/ACM
		(FPM)			
		JD5394			



AC5100

463	79.50	Petrol				
K4J 780	4 Cyl.	10:1	1390cc	72kW (98)PS	TD18533	1226
CLIO	06/05→	CLIO Grandtour	02/10→			

TB636 132x27	TBK267 Component No:TB636; AE1138GP;AE1137TP				

	OE					
V94498	7701 472 124		45°	Y	H	VAG96292B
32.40 x 5.50 x 109.20						40.60 x 5.50 x 11.07
V94499	7701 473 355		45°			
28.00 x 5.50 x 107.50						

AC5100 MLS, 1.200mm	CC5100 [10]	HBS301	JD5393	HR397	PA5013 (x16)	NA5215 28.00x42.00x5.00mm FPM
		M10x1.50x117.00mm (x10)	JD5893			NA5016 35.00x47.00x7.00mm FPM/ACM
			(FPM)			
			JD5394			



AC5100

[10] With gaskets/seals

[10] Avec joints

[10] Con guarnizioni

[10] Con juntas

RENAULT/DACIA

464

 **79.50**

Petrol



K4J D 740 4 Cyl. 10:1 1390cc **72kW (98)PS** **TD19686** **1230**




PA5013 (x16)

NA5016

35.00x47.00x7.00mm FPM/ACM

465

 **79.50**

Petrol



K7J 710 4 Cyl. 9.5:1 1390cc **55kW (75)PS** **TD18138** **1231**

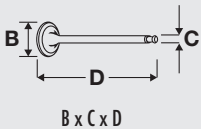
K7J 710 4 Cyl. 9.5:1 1390cc **55kW (75)PS** **TD18140** **1232**

LOGAN 09/04 → **LOGAN MCV** 02/07 → **SANDERO/STEPWAY** 02/09 →
SANDERO 06/08 → **SOLENZA** 02/03 →



TB529
96x17

TBK096
Component No:TB529;AE1134TP



OE



MAT.

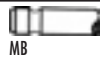


30°

H

V91835 ■
37.50 x 7.00 x 107.80

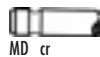
7701 465 088



MB

V91836 ■
33.60 x 7.00 x 107.80

7701 465 090



MD cr

V94442 ■
33.60 x 7.00 x 107.70

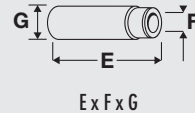
7701 468 419



MG

45°

H



VAG96182B ■
42.00 x 7.02 x 12.08



VAG96172B ■
49.00 x 7.02 x 12.08



AH5170 MLS

HBS102 ⊕
M10x1.50x113.00mm (x5)

JD5315 ■ (x4)
JD418 ■

JN789

HR646 ■

NA5016
35.00x47.00x7.00mm FPM/ACM
NA5053
30.00x42.00x7.00mm FPM



AH5170

466	79.50	Petrol			
K7J 714	4 Cyl.	9.5:1	1390cc	53kW (72)PS	TD23531 1232
LOGAN	02/06 →	SANDERO		01/09 →	

TB529 96x17 →11/09	TBK096 →11/09 Component No:TB529;AE1134TP				

	OE	MAT.			
V91835 ■ 37.50 x 7.00 x 107.80	7701 465 088		30°	H	VAG96182B ■ 42.00 x 7.02 x 12.08
V91836 ■ 33.60 x 7.00 x 107.80	7701 465 090		45°		VAG96172B ■ 49.00 x 7.02 x 12.08
V94442 ■ 33.60 x 7.00 x 107.70	7701 468 419		45°	H	

AH5170 MLS			HBS102 ⊕ M10x1.50x113.00mm (x5)	JD5315 ■ (x4) JD418 ■	JN789	HR646 ■	NA5016 35.00x47.00x7.00mm FPM/ACM NA5053 30.00x42.00x7.00mm FPM



AH5170

467	79.50	Petrol			
K7J 714	4 Cyl.	9.5:1	1390cc	55kW (75)PS	TD23530 1231

AH5170 MLS			HBS102 ⊕ M10x1.50x113.00mm (x5)	JD5315 ■ (x4) JD418 ■	JN789	HR646 ■	NA5053 30.00x42.00x7.00mm FPM



AH5170

RENAULT/DACIA

468



79.50

Petrol

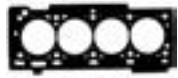


K4M 606	4 Cyl.	9.8:1	1598cc	77kW (105)PS	TD24782	1233
K4M 697	4 Cyl.	9.8:1	1598cc	77kW (105)PS	TD23897	1234
K4M 824 Euro 4	4 Cyl.	9.8:1	1598cc	81kW (110)PS	TD20814	1233
K4M 830 Euro 4	4 Cyl.	9.8:1	1598cc	78kW (106)PS	TD23581	1244
K4M 834 Euro 4	4 Cyl.	9.8:1	1598cc	72kW (98)PS	TD26128	1244
K4M 838	4 Cyl.	9.7:1	1598cc	81kW (110)PS	TD26123	1233
K4M 839	4 Cyl.	9.7:1	1598cc	81kW (110)PS	TD26124	1233
K4M 854 Euro 4	4 Cyl.	11:1	1598cc	98kW (133)PS	TD21229	1233
K4M 862 Euro 4	4 Cyl.	11:1	1598cc	94-98kW (128-133)PS	TD23548	1233
K4M 9 766	4 Cyl.	10:1	1598cc	81kW (109)PS	TD19687	1233
K4M P 848	4 Cyl.	9.8:1	1598cc	74kW (101)PS	TD24253	1233

CLIO	06/09→	CLIO Grandtour	11/08→	DUSTER	06/10→
FLUENCE	02/10→	KANGOO / GRAND KANGOO	02/08→	KANGOO	02/08→
KANGOO BE BOP	02/09→	LAGUNA	10/07→	LOGAN	04/07→
MEGANE	11/08→	SCÉNIC	01/07→	TWINGO	05/08→
WIND	07/10→				



AC5100 MLS, 1.200mm	CC5110	HBS301	JD5393	HR397	PA5013 (x16)	NA5016 35.00x47.00x7.00mm FPM/ACM
		M10x1.50x117.00mm (x10)	JD5394			



AC5100

469



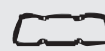
79.50

Petrol

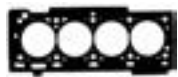


K4M 616	4 Cyl.		1598cc	75kW (102)PS	TD27695	1233
K4M 831 Euro 4	4 Cyl.	9.8:1	1598cc	79kW (107)PS	TD26526	1244
K4M 848 Euro 4	4 Cyl.	9.8:1	1598cc	74kW (101)PS	TD26527	1233
K4M 850	4 Cyl.	10:1	1598cc	78kW (106)PS	TD26565	1233
K7MA8	4 Cyl.		1598cc	61kW (83)PS	TD26980	1245

DUSTER	02/12→	KANGOO / GRAND KANGOO	02/08→	KANGOO	06/05→
LODGY	03/12→	MEGANE	11/08→		



AC5100 MLS, 1.200mm	CC5110	HBS301	JD5393	HR397	PA5013 (x16)	
		M10x1.50x117.00mm (x10)	JD5394			



AC5100

470

 **79.50**

Petrol



K4M 690

4 Cyl.

9.8:1

1598cc







77kW (105)PS

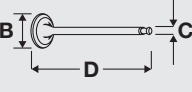
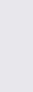

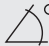


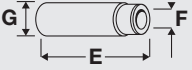



TD22187









1234

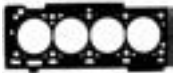
LOGAN

04/07 →

					
TB636 132x27	TBK267 Component No:TB636; AE1138GP;AE1137TP	CAM727 ■ CAM728 ■			FOL103 (x16)

						
B x C x D	OE	MAT.	45°	Y	H	E x F x G
V94498 ■ 32.40 x 5.50 x 109.20	7701 472 124		45°			VAG96292B ■ ■ ■ 40.60 x 5.50 x 11.07
V94499 ■ 28.00 x 5.50 x 107.50	7701 473 355		45°			

							
AC5100 MLS, 1.200mm			HBS301 ■ M10x1.50x117.00mm (x10)	JD5393 ■ JD5394 ■	HR397 ■	PA5013 (x16)	NA5215 28.00x42.00x5.00mm FPM NA5016 35.00x47.00x7.00mm FPM/ACM



AC5100

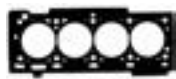
RENAULT/DACIA

471	79.50	Petrol			
K4M 690	4 Cyl.	9.8:1	1598cc	77kW (105)PS	TD20941 1234
K4M 710	4 Cyl.	10:1	1598cc	79kW (107)PS	TD16214 1235
DUSTER	04/10→	LAGUNA	03/01→	LOGAN	02/06→
LOGAN MCV	02/07→	SANDERO	01/11→		

TB636 132x27	TBK267 Component No:TB636; AE1138GP;AE1137TP	CAM727 ■ CAM728 ■		FOL103 (x16)

V94498 ■ 32.40 x 5.50 x 109.20	7701 472 124	MB	45°	Y	H	VAG96292B ■ ■ ■ 40.60 x 5.50 x 11.07
V94499 ■ 28.00 x 5.50 x 107.50	7701 473 355	MD	45°			

AC5100 MLS, 1.200mm	CC5100 [10]	HBS301 ⊕ M10x1.50x117.00mm (x10)	JD5393 ■ JD5394 ■	HR397 ■	PA5013 (x16)	NA5215 28.00x42.00x5.00mm FPM NA5016 35.00x47.00x7.00mm FPM/ACM





AC5100
 [10] With gaskets/seals [10] Avec joints [10] Con guarnizioni [10] Con juntas







472	79.50	Petrol			
K4M 694	4 Cyl.	9.8:1	1598cc	77kW (105)PS	TD24876 1229
K4M 706	4 Cyl.	10:1	1598cc	79kW (107)PS	TD21193 1234
K4M 718	4 Cyl.	10:1	1598cc	76kW (103)PS	TD21162 1233
K4M 768	4 Cyl.	10:1	1598cc	75kW (102)PS	TD21203 1233
LAGUNA	06/01→10/03	LOGAN MCV	11/09→	MEGANE	09/03→
SANDERO	01/11→	SCÉNIC	09/99→09/03		













AC5100 MLS, 1.200mm	CC5100 [10]	HBS301 ⊕ M10x1.50x117.00mm (x10)	JD5393 ■ JD5394 ■	HR397 ■	PA5013 (x16)	NA5215 28.00x42.00x5.00mm FPM NA5016 35.00x47.00x7.00mm FPM/ACM



AC5100
 [10] With gaskets/seals [10] Avec joints [10] Con guarnizioni [10] Con juntas



473	 79.50	Petrol			
K4M 696	4 Cyl.	9.8:1	1598cc	77kW (105)PS	TD24781 1229
DUSTER	04/10→	LOGAN	02/06→	LOGAN MCV	02/07→
SANDERO	01/11→				









					
TB636 132x27	TBK267 Component No:TB636; AE1138GP;AE1137TP		KIT		FOL103 (x16)

							
AC5100 MLS, 1.200mm			HBS301  M10x1.50x117.00mm (x10)	JD5393  JD5394 	HR397 	PA5013 (x16)	NA5215 28.00x42.00x5.00mm FPM NA5016 35.00x47.00x7.00mm FPM/ACM



AC5100

474	 79.50	Petrol			
K4M 698	4 Cyl.	9.8:1	1598cc	77kW (105)PS	TD23898 1234

							
							NA5016 35.00x47.00x7.00mm FPM/ACM

RENAULT/DACIA

475

79.50

Petrol



K4M 700	4 Cyl.	10:1	1598cc	79/81kW (107/109)PS	TD13308	1235
K4M 701	4 Cyl.	10:1	1598cc	79/81kW (107/109)PS	TD13309	1235
K4M 704	4 Cyl.	10:1	1598cc	79/81kW (107/109)PS	TD16346	1235
K4M 714	4 Cyl.	10:1	1598cc	79kW (107)PS	TD21164	1235
K4M 720	4 Cyl.	10:1	1598cc	79/81kW (107/109)PS	TD16269	1235
K4M 750	4 Cyl.	10:1	1598cc	70kW (95)PS	TD17489	1238
K4M 752	4 Cyl.	10:1	1598cc	79/81kW (107/109)PS	TD16370	1235
K4M 753	4 Cyl.	10:1	1598cc	70kW (95)PS	TD17494	1239

KANGOO	06/01→	LAGUNA	11/97→	MEGANE	04/98→08/03
SCÉNIC	09/99→09/03				

TB636 132x27	TBK267 Component No:TB636; AE1138GP;AE1137TP	CAM727 ■ CAM728 ■		FOL103 (x16)

V94498 ■ 32.40 x 5.50 x 109.20	7701 472 124		45°	Y	H	VAG96292B ■ ■ ■ 40.60 x 5.50 x 11.07
V94499 ■ 28.00 x 5.50 x 107.50	7701 473 355		45°			
V94501 ■ 28.00 x 5.50 x 107.50	7701 472 125		45°	ss	H	

AC5100 MLS, 1.200mm	CC5100 [10]	HBS301 ⊕ M10x1.50x117.00mm (x10)	JD5393 ■ JD5394 ■	HR397 ■	PA5013 (x16)	NA5215 28.00x42.00x5.00mm FPM NA5016 35.00x47.00x7.00mm FPM/ACM



AC5100

[10] With gaskets/seals

[10] Avec joints

[10] Con guarnizioni

[10] Con juntas

476	79.50	Petrol			
K4M 708	4 Cyl.	10:1	1598cc	79/81kW (107/109)PS	TD16345 1235
K4M 744 Euro 4	4 Cyl.	10:1	1598cc	79kW (107)PS	TD19674 1235
K4M 745	4 Cyl.	10:1	1598cc	79kW (107)PS	TD19675 1235
K4M 748	4 Cyl.	10:1	1598cc	79/81kW (107/109)PS	TD11567 1235

CLIO	09/98 →	MEGANE	04/98 → 08/03	SCÉNIC	03/01 → 08/03
-------------	---------	---------------	---------------	---------------	---------------

TB636 132x27	TBK267 Component No:TB636; AE1138GP;AE1137TP	CAM727 ■ CAM728 ■		FOL103 (x16)

B x C x D	OE	MAT.				G	E	F	Ex F x G
V94498 ■ 32.40 x 5.50 x 109.20	7701 472 124		45°	Y	H	VAG96292B ■ ■ ■			
V94499 ■ 28.00 x 5.50 x 107.50	7701 473 355		45°						
V94501 ■ 28.00 x 5.50 x 107.50	7701 472 125		45°	ss	H				

AC5100 MLS, 1.200mm	CC5100 [10]	HBS301 ⊕ M10x1.50x117.00mm (x10)	JD5393 ■ JD5894 ■	HR397 ■	PA5013 (x16)	NA5215 28.00x42.00x5.00mm FPM NA5016 35.00x47.00x7.00mm FPM/ACM



AC5100
[10] With gaskets/seals [10] Avec joints [10] Con guarnizioni [10] Con juntas

477	79.50	Petrol			
K4M 709	4 Cyl.	10:1	1598cc	79kW (107)PS	TD21194 1236

SCÉNIC	03/01 → 08/03
---------------	---------------

TB636 132x27	TBK267 Component No:TB636; AE1138GP;AE1137TP			FOL103 (x16)

AC5100 MLS, 1.200mm	CC5100 [10]	HBS301 ⊕ M10x1.50x117.00mm (x10)	JD5393 ■ JD5894 ■	HR397 ■	PA5013 (x16)	NA5215 28.00x42.00x5.00mm FPM NA5016 35.00x47.00x7.00mm FPM/ACM



AC5100
[10] With gaskets/seals [10] Avec joints [10] Con guarnizioni [10] Con juntas

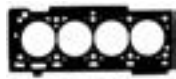
RENAULT/DACIA

478	79.50	Petrol			
K4M 711	4 Cyl.	10:1	1598cc	79/81kW (107/109)PS	TD16215 1235
K4M 724	4 Cyl.	10:1	1598cc	79/81kW (107/109)PS	TD16270 1235

		CAM727 ■ CAM728 ■			FOL103 (x16)

B x C x D	OE	MAT.	45°	Y	H
V94498 ■ 32.40 x 5.50 x 109.20	7701 472 124		45°	Y	H
V94499 ■ 28.00 x 5.50 x 107.50	7701 473 355		45°		
V94501 ■ 28.00 x 5.50 x 107.50	7701 472 125		45°	ss	H
		MB MD MG			
					VAG96292B ■ ■ 40.60 x 5.50 x 11.07



AC5100 MLS, 1.200mm	CC5100 [10]	HBS301 ⊕ M10x1.50x117.00mm (x10)	JD5393 ■ JD5394 ■	HR397 ■	PA5013 (x16)	NA5215 28.00x42.00x5.00mm FPM NA5016 35.00x47.00x7.00mm FPM/ACM

















AC5100
 [10] With gaskets/seals [10] Avec joints [10] Con guarnizioni [10] Con juntas

479	79.50	Petrol			
K4M 712	4 Cyl.	10:1	1598cc	79kW (107)PS	TD21163 1234
K4M 730	4 Cyl.	10:1	1598cc	70kW (95)PS	TD21195 1234
K4M 736	4 Cyl.	10:1	1598cc	79kW (107)PS	TD21201 1234

						NA5215 28.00x42.00x5.00mm FPM











480	 79.50	Petrol			
K4M 716	4 Cyl.	10:1	1598cc	82kW (112)PS	TD21200 1235
K4M 788	4 Cyl.	10:1	1598cc	77kW (105)PS	TD21204 1233
GRAND SCÉNIC	06/06→	LAGUNA	02/05→	MEGANE	06/05→
SCÉNIC	06/06→				



					
TB636 132x27	TBK267 Component No:TB636; AE1138GP;AE1137TP		KIT		







							
AC5100 MLS, 1.200mm	CC5100 [10]		HBS301 ☉ M10x1.50x117.00mm (x10)	JD5393 ■ JD5394 ■	HR397 ■	PA5013 (x16)	NA5215 28.00x42.00x5.00mm FPM NA5016 35.00x47.00x7.00mm FPM/ACM











AC5100
[10] With gaskets/seals [10] Avec joints [10] Con guarnizioni [10] Con juntas

481	 79.50	Petrol					
K4M 732	4 Cyl.	10:1	1598cc	66-70kW (90-95)PS	TD20911 1236		
K4M 734	4 Cyl.	10:1	1598cc	66kW (90)PS	TD20912 1236		
							
				JD5393 ■			NA5215 28.00x42.00x5.00mm FPM

482	 79.50	Petrol			
K4M 740	4 Cyl.	10:1	1598cc	79kW (107)PS	TD18445 1235
K4M 742	4 Cyl.	10:1	1598cc	66-79kW (90-107)PS	TD20913 1235
K4M 743	4 Cyl.	10:1	1598cc	66-79kW (90-107)PS	TD20914 1235
CLIO	09/98→	THALIA	04/02→		













					
TB636 132x27	TBK267 Component No:TB636; AE1138GP;AE1137TP	CAM727 ■ CAM728 ■			FOL103 (x16)












							
AC5100 MLS, 1.200mm	CC5100 [10]		HBS301 ☉ M10x1.50x117.00mm (x10)	JD5393 ■ JD5894 ■	HR397 ■	PA5013 (x16)	NA5215 28.00x42.00x5.00mm FPM NA5016 35.00x47.00x7.00mm FPM/ACM











AC5100
[10] With gaskets/seals [10] Avec joints [10] Con guarnizioni [10] Con juntas

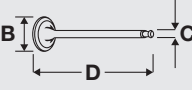








RENAULT/DACIA













483	 79.50	Petrol					
K4M 746	4 Cyl.	10:1	1598cc	79kW (107)PS	TD20915	1237	
							
			HB5301  M10x1.50x117.00mm (x10)	JD5393 			NA5215 28.00x42.00x5.00mm FPM NA5016 35.00x47.00x7.00mm FPM/ACM

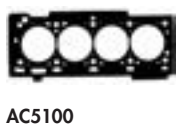
484	 79.50	Petrol					
K4M 754	4 Cyl.	10:1	1598cc	98kW (133)PS	TD21176	1240	
							
			HB5301  M10x1.50x117.00mm (x10)				NA5215 28.00x42.00x5.00mm FPM

485	 79.50	Petrol				
K4M 760	4 Cyl.	10:1	1598cc	79/81kW (107/109)PS	TD16532	1235
K4M 761	4 Cyl.	10:1	1598cc	83kW (113)PS	TD18302	1238

GRAND SCÉNIC	04/04→	MEGANE	11/02→	SCÉNIC	06/03→
					
TB636 132x27	TBK267 Component No:TB636; AE1138GP;AE1137TP		KIT		FOL103 (x16)

	
B x C x D	E x F x G
V94498  32.40 x 5.50 x 109.20	VAG96292B  40.60 x 5.50 x 11.07
V94499  28.00 x 5.50 x 107.50	
V94501  28.00 x 5.50 x 107.50	
OE	MAT.
7701 472 124	
7701 473 355	
7701 472 125	
	45°
	Y
	H
	45°
	ss
	H

							
AC5100 MLS, 1.200mm	CC5110		HB5301  M10x1.50x117.00mm (x10)	JD5393  JD5894 	HR397 	PA5013 (x16)	NA5215 28.00x42.00x5.00mm FPM NA5016 35.00x47.00x7.00mm FPM/ACM

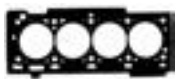


486	79.50	Petrol				
K4M 762	4 Cyl.	10:1	1598cc	77kW (105)PS	TD21202	1233
MEGANE 05/05→						

TB636 132x27	TBK267 Component No:TB636; AE1138GP;AE1137TP				FOL103 (x16)

B x C x D	E x F x G
OE	MAT.
V94498 ■	45° Y H
32.40 x 5.50 x 109.20	
V94499 ■	45°
28.00 x 5.50 x 107.50	
V94501 ■	45° ss H
28.00 x 5.50 x 107.50	
	VAG96292B ■ ■ ■
	40.60 x 5.50 x 11.07

AC5100 MLS, 1.200mm			HBS301 ⊕ M10x1.50x117.00mm (x10)	JD5393 ■ JD5394 ■	HR397 ■	PA5013 (x16)	NA5215 28.00x42.00x5.00mm FPM NA5016 35.00x47.00x7.00mm FPM/ACM



AC5100

487	79.50	Petrol				
K4M 764	4 Cyl.	10:1	1598cc	82-85kW (112-116)PS	TD20916	1237

			HBS301 ⊕ M10x1.50x117.00mm (x10)	JD5393 ■			NA5215 28.00x42.00x5.00mm FPM

488



79.50

Petrol



K4M 782 4 Cyl. 10:1 1598cc **83kW (113)PS** **TD18303** **1238**

GRAND SCÉNIC 04/04→ **SCÉNIC** 06/03→

TB636 132x27	TBK267 Component No:TB636; AE1138GP;AE1137TP		KIT		

V94498 ■ 32.40 x 5.50 x 109.20	V94499 ■ 28.00 x 5.50 x 107.50	V94501 ■ 28.00 x 5.50 x 107.50	VAG96292B ■ ■ 40.60 x 5.50 x 11.07
OE 7701 472 124	OE 7701 473 355	OE 7701 472 125	
MAT. MB	MAT. MD	MAT. MG	
45°	45°	45°	
Y		ss	
H		H	

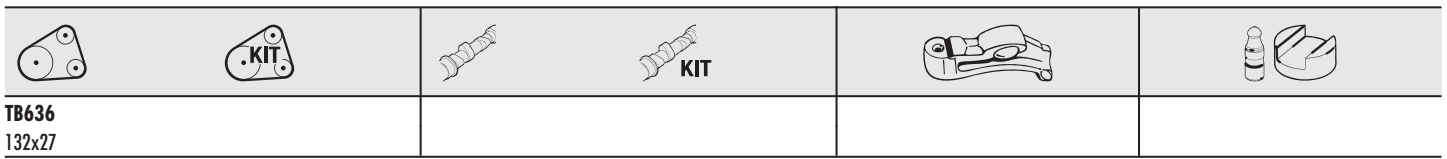
AC5100 MLS, 1.200mm	CC5110	HBS301 ⊕ M10x1.50x117.00mm (x10)	JD5393 ■ JD5894 ■	HR397 ■	PA5013 (x16)	NA5215 (x2) 28.00x42.00x5.00mm FPM NA5016 35.00x47.00x7.00mm FPM/ACM



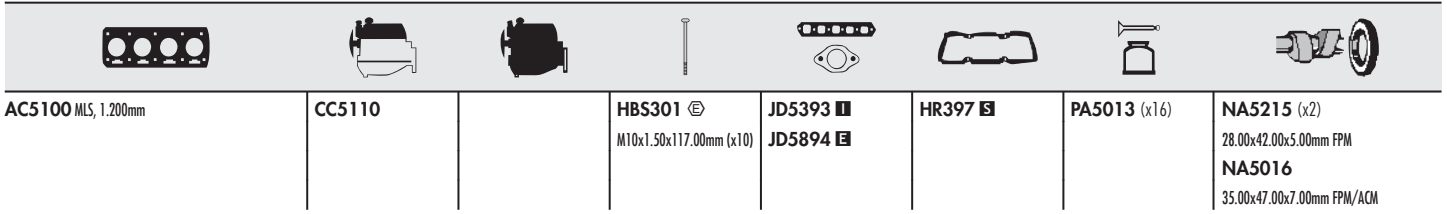
AC5100

489	79.50	Petrol			
K4M 790	4 Cyl.	10:1	1598cc	82kW (112)PS	TD18898 1241
K4M 791	4 Cyl.	10:1	1598cc	82kW (112)PS	TD18899 1242
K4M 800	4 Cyl.	9.8:1	1598cc	82kW (111)PS	TD18534 1243
K4M 804	4 Cyl.	9.8:1	1598cc	65kW (88)PS	TD18532 1243

CLIO 06/05 → **CLIO Grandtour** 02/08 → **MODUS / GRAND MODUS** 12/04 →



B x C x D	OE	MAT.	45°	Y	H	E x F x G
V94498	7701 472 124		45°	Y	H	VAG96292B
32.40 x 5.50 x 109.20		MB				40.60 x 5.50 x 11.07
V94499	7701 473 355		45°			
28.00 x 5.50 x 107.50		MD				
V94501	7701 472 125		45°	ss	H	
28.00 x 5.50 x 107.50		MG				

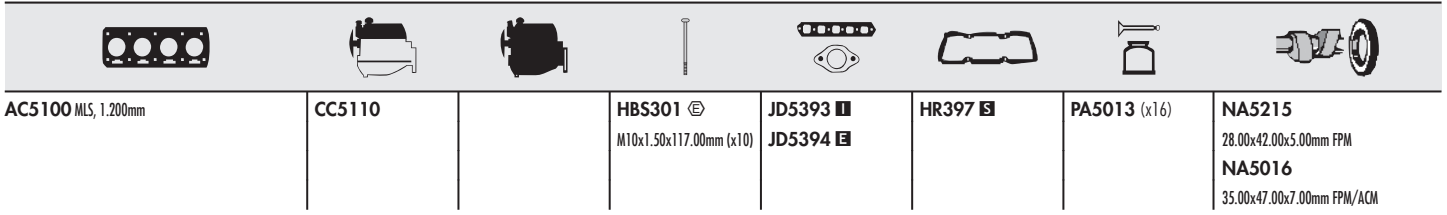


AC5100 MLS, 1.200mm	CC5110	HBS301	JD5393	HR397	PA5013 (x16)	NA5215 (x2)
		M10x1.50x117.00mm (x10)	JD5894			28.00x42.00x5.00mm FPM
						NA5016
						35.00x47.00x7.00mm FPM/ACM

AC5100

490	79.50	Petrol			
K4M 792	4 Cyl.	10:1	1598cc	65kW (88)PS	TD20894 1233

B x C x D	OE	MAT.	45°	Y	H	E x F x G
V94498	7701 472 124		45°	Y	H	VAG96292B
32.40 x 5.50 x 109.20		MB				40.60 x 5.50 x 11.07
V94499	7701 473 355		45°			
28.00 x 5.50 x 107.50		MD				
V94501	7701 472 125		45°	ss	H	
28.00 x 5.50 x 107.50		MG				



AC5100 MLS, 1.200mm	CC5110	HBS301	JD5393	HR397	PA5013 (x16)	NA5215
		M10x1.50x117.00mm (x10)	JD5394			28.00x42.00x5.00mm FPM
						NA5016
						35.00x47.00x7.00mm FPM/ACM

AC5100

RENAULT/DACIA

491







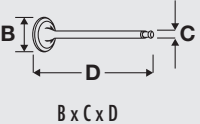










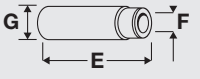


 79.50













Petrol



K4M 794 4 Cyl. 10:1 1598cc 65kW (88)PS TD20895 1233

MODUS / GRAND MODUS 12/04→

					
TB636 132x27					
	OE				
V94498 	7701 472 124	 MB	45°	Y	H
32.40 x 5.50 x 109.20					
V94499 	7701 473 355	 MD	45°		
28.00 x 5.50 x 107.50					
V94501 	7701 472 125	 MG	45°	ss	H
28.00 x 5.50 x 107.50					
					
				VAG96292B 	
				40.60 x 5.50 x 11.07	

							
AC5100 MLS, 1.200mm	CC5110	HBS301  M10x1.50x117.00mm (x10)	JD5393  JD5394 	HR397 	PA5013 (x16)	NA5215 28.00x42.00x5.00mm FPM NA5016 35.00x47.00x7.00mm FPM/ACM	



AC5100

492

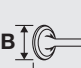
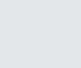

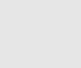

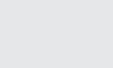






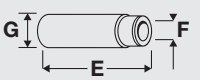


 79.50












Petrol



K4M 801 4 Cyl. 9.8:1 1598cc 82kW (111)PS TD18535 1243

CLIO 06/05→ CLIO Grandtour 02/08→ MODUS / GRAND MODUS 12/04→

					
V94498 	7701 472 124	 MB	45°	Y	H
32.40 x 5.50 x 109.20					
V94499 	7701 473 355	 MD	45°		
28.00 x 5.50 x 107.50					
V94501 	7701 472 125	 MG	45°	ss	H
28.00 x 5.50 x 107.50					
					
				VAG96292B 	
				40.60 x 5.50 x 11.07	

						
AC5100 MLS, 1.200mm	CC5110	HBS301  M10x1.50x117.00mm (x10)	JD5393  JD5894 	HR397 		NA5215 28.00x42.00x5.00mm FPM NA5016 35.00x47.00x7.00mm FPM/ACM

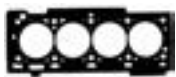


AC5100

493	79.50	Petrol			
K4M 812	4 Cyl.	10:1	1598cc	82kW (112)PS	TD21294 1233
GRAND SCÉNIC	06/06→11/08	MEGANE	01/06→	SCÉNIC	01/07→
TB636 132x27	TBK267 Component No:TB636; AE1138GP;AE1137TP		KIT		FOL103 (x16)

 B x C x D	OE					 E x F x G
V94498 32.40 x 5.50 x 109.20	7701 472 124		45°	Y	H	VAG96292B 40.60 x 5.50 x 11.07
V94499 28.00 x 5.50 x 107.50	7701 473 355		45°			

AC5100 MLS, 1.200mm	CC5110	HBS301 M10x1.50x117.00mm (x10)	JD5393 JD5394	HR397	PA5013 (x16)	NA5016 35.00x47.00x7.00mm FPM/ACM



AC5100

494	79.50	Petrol			
K4M 813	4 Cyl.	10:1	1598cc	82kW (112)PS	TD26333 1233
MEGANE	01/06→				
TB636 132x27	TBK267 Component No:TB636; AE1138GP;AE1137TP		KIT		FOL103 (x16)

AC5100 MLS, 1.200mm		HBS301 M10x1.50x117.00mm (x10)	JD5393 JD5394	HR397	PA5013 (x16)	NA5016 35.00x47.00x7.00mm FPM/ACM



AC5100

RENAULT/DACIA

495	79.50	Petrol			
K4M 858 Euro 4	4 Cyl.	11:1	1598cc	81kW (110)PS	TD23580 1233
K4M 866	4 Cyl.	9.7:1	1598cc	81kW (110)PS	TD23553 1233
GRAND SCÉNIC	02/09→	MEGANE	09/03→	MEGANE CC	06/10→
SCÉNIC	02/09→				

	.KIT		KIT		
TB636					
132x27					

AC5100 MLS, 1.200mm	CC5110	HB5301 M10x1.50x117.00mm (x10)	JD5393 JD5394	HR397	PA5013 (x16)	NA5016 35.00x47.00x7.00mm FPM/ACM



AC5100

496	79.50	Petrol			
K4M C 812	4 Cyl.	10:1	1598cc	82kW (112)PS	TD21104 1233
			JD5940		

497	79.50	Petrol			
K4M C 813	4 Cyl.	10:1	1598cc	82kW (112)PS	TD19689 1233
K4M D 812	4 Cyl.	10:1	1598cc	82kW (112)PS	TD21107 1229
MEGANE	01/06→	SCÉNIC	01/07→		

	.KIT		KIT		
TB636					FOL103 (x16)
132x27					











AC5100 MLS, 1.200mm		HB5301 M10x1.50x117.00mm (x10)	JD5393 JD5394	HR397	PA5013 (x16)	NA5016 35.00x47.00x7.00mm FPM/ACM










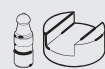
AC5100

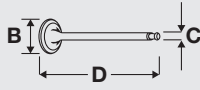
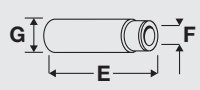


498	79.50	Petrol			
K7M 690	4 Cyl.	9.5:1	1598cc	77kW (105)PS	TD22402 1245
K7M 732 Euro 4	4 Cyl.	9.5:1	1598cc	64kW (87)PS	TD23532 1245
K7M 732 Euro 4	4 Cyl.	9.5:1	1598cc	64kW (87)PS	TD23533 1245









						NA5053 30.00x42.00x7.00mm FPM

499	 79.50	Petrol					
K7M 690	4 Cyl.	9.5:1	1598cc	77kW (105)PS	TD22190	1245	
							
						PA5013 (x16)	NA5053 30.00x42.00x7.00mm FPM

500	 79.50	Petrol				
K7M 702	4 Cyl.	9.5:1	1598cc	66kW (89)PS	TD4876	1246
K7M 703	4 Cyl.	9.5:1	1598cc	66kW (89)PS	TD4877	1246
K7M 790	4 Cyl.	9.6:1	1598cc	66kW (89)PS	TD4879	1246











MEGANE	01/96 → 08/03				
					
TB257 95x17	TBK002 Component No:TB257;AE1058TP	CAM729			

	
B x C x D	E x F x G
OE	
MAT.	
	
V91835 ■	VAG96182B ■
37.50 x 7.00 x 107.80	42.00 x 7.02 x 12.08
V91836 ■	VAG96172B ■
33.60 x 7.00 x 107.80	49.00 x 7.02 x 12.08
V94442 ■	
33.60 x 7.00 x 107.70	
7701 465 088	
7701 465 090	
7701 468 419	
MB	
MD cr	
MG	
30°	
45°	
45°	
H	
H	

							
BY030 Fibre Composite	DY030 [10]		HBS102 ⊕ M10x1.50x113.00mm (x5)	JD434 ■ JD418 ■	JN789	HR646 ■	NA5016 35.00x47.00x7.00mm FPM/ACM NA5053 30.00x42.00x7.00mm FPM



BY030
 [10] With gaskets/seals [10] Avec joints [10] Con guarnizioni [10] Con juntas

501	 79.50	Petrol					
K7M 704	4 Cyl.	9.6:1	1598cc	64-66kW (87-90)PS	TD20917	1245	
							
			HBS102 ⊕ M10x1.50x113.00mm (x5)			HR599 ■	NA5016 35.00x47.00x7.00mm FPM/ACM NA5053 30.00x42.00x7.00mm FPM

RENAULT/DACIA

502

79.50

Petrol



K7M 710	4 Cyl.	9.5:1	1598cc	66kW (89)PS	TD18139	1248
K7M 710	4 Cyl.	9.5:1	1598cc	64kW (87)PS	TD18141	1247
LOGAN	09/04→	LOGAN MCV		02/07→	SANDERO/STEPWAY 12/07→	
SANDERO	06/08→					

TB529 96x17	TBK096 Component No:TB529;AE1134TP	CAM729		FOL103 (x16)

B x C x D	E x F x G
OE	
MAT.	
30°	45°
H	H
V91835 ■ 37.50 x 7.00 x 107.80	VAG96182B ■ 42.00 x 7.02 x 12.08
V91836 ■ 33.60 x 7.00 x 107.80	VAG96172B ■ 49.00 x 7.02 x 12.08
V94442 ■ 33.60 x 7.00 x 107.70	
7701 465 088	
7701 465 090	
7701 468 419	
MB	
MD cr	
MG	

BY030 Fibre Composite	DY030 [10]	HBS102 ☉ M10x1.50x113.00mm (x5)	JD434 ■ JD418 ■	JN789	HR646 ■	NA5016 35.00x47.00x7.00mm FPM/ACM NA5053 30.00x42.00x7.00mm FPM



BY030
[10] With gaskets/seals [10] Avec joints [10] Con guarnizioni [10] Con juntas

503

79.50

Petrol



K7M 718 Euro 4	4 Cyl.	9.5:1	1598cc	62kW (84)PS	TD23534	1245
K7M 718 Euro 4	4 Cyl.	9.5:1	1598cc	62kW (84)PS	TD23535	1245
K7M 750	4 Cyl.	9.7:1	1598cc	64kW (87)PS	TD22191	1250

KANGOO / GRAND KANGOO	02/08→	KANGOO	02/08→	LOGAN	05/10→
SANDERO/STEPWAY	11/10→				

AH5170 MLS	HBS102 ☉ M10x1.50x113.00mm (x5)	JD5315 ■ (x4) JD418 ■	JN789	HR646 ■	NA5016 35.00x47.00x7.00mm FPM/ACM NA5053 30.00x42.00x7.00mm FPM



AH5170

504







 **79.50**

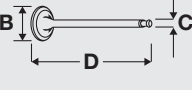
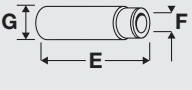
Petrol











K7M 720 4 Cyl. 9:1 1598cc **55kW (75)PS** **TD4878** **1249**

MEGANE 01/96 → 09/99

			 KIT		
TB529 96x17	TBK096 Component No:TB529;AE1134TP				

	
B x C x D	E x F x G
OE	MAT.
V91835 ■ 37.50 x 7.00 x 107.80	VAG96182B ■ 42.00 x 7.02 x 12.08
V91836 ■ 33.60 x 7.00 x 107.80	VAG96172B ■ 49.00 x 7.02 x 12.08
V94442 ■ 33.60 x 7.00 x 107.70	
7701 465 088	7701 465 090
7701 468 419	
MB	MD cr
MG	
30°	45°
45°	
H	H

							
BY030 Fibre Composite	DY030 [10]	HBS102 ⊕ M10x1.50x113.00mm (x5)	JD434 ■ JD418 ■	JN789	HR646 ■	NA5016 35.00x47.00x7.00mm FPM/ACM	NA5053 30.00x42.00x7.00mm FPM



BY030

[10] With gaskets/seals

[10] Avec joints

[10] Con guarnizioni

[10] Con juntas

RENAULT/DACIA

505



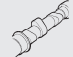



 79.50

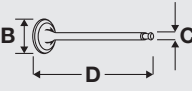
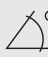

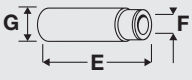

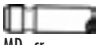

Petrol





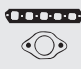





K7M 744	4 Cyl.	9.7:1	1598cc	66kW (89)PS	TD14332	1249
K7M 745	4 Cyl.	9.7:1	1598cc	66kW (89)PS	TD14333	1249

CLIO 09/98→05/05

					
TB529 96x17	TBK096 Component No:TB529;AE1134TP	CAM729			


	OE	MAT.			
B x C x D					E x F x G
V91835 ■ 37.50 x 7.00 x 107.80	7701 465 088	 MB	30°	H	VAG96182B ■ 42.00 x 7.02 x 12.08
V91836 ■ 33.60 x 7.00 x 107.80	7701 465 090	 MD cr	45°		VAG96172B ■ 49.00 x 7.02 x 12.08
V94442 ■ 33.60 x 7.00 x 107.70	7701 468 419	 MG	45°	H	

							
BY030 Fibre Composite	DY030 [10]		HBS102 ⊕ M10x1.50x113.00mm (x5)	JD5316 ■ JD418 ■	JN789	HR646 ■	NA5016 35.00x47.00x7.00mm FPM/ACM NA5053 30.00x42.00x7.00mm FPM



BY030
[10] With gaskets/seals [10] Avec joints [10] Con guarnizioni [10] Con juntas

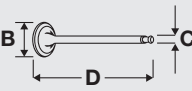


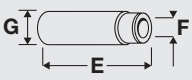



506









 79.50

Petrol



K7M 746	4 Cyl.	9.7:1	1598cc	66kW (90)PS	TD20918	1246
KANGOO	09/99→06/01	THALIA	03/98→			

	OE	MAT.			
B x C x D					E x F x G
V91835 ■ 37.50 x 7.00 x 107.80	7701 465 088	 MB	30°	H	VAG96182B ■ 42.00 x 7.02 x 12.08
V91836 ■ 33.60 x 7.00 x 107.80	7701 465 090	 MD cr	45°		VAG96172B ■ 49.00 x 7.02 x 12.08
V94442 ■ 33.60 x 7.00 x 107.70	7701 468 419	 MG	45°	H	

							
BY030 Fibre Composite			HBS102 ⊕ M10x1.50x113.00mm (x5)	JD5315 ■ (x4) JD418 ■	JN789	HR646 ■	NA5016 35.00x47.00x7.00mm FPM/ACM NA5053 30.00x42.00x7.00mm FPM



BY030

507	79.50	Petrol					
K7M 800	4 Cyl.	9.5:1	1598cc	62kW (84)PS	TD24779	1245	
LOGAN	05/10→	LOGAN MCV	05/10→	SANDERO	05/10→		
					JN789	HR646	NA5016 35.00x47.00x7.00mm FPM/ACM NA5053 30.00x42.00x7.00mm FPM

508	80.00	Diesel					
F8Q 600	4 Cyl.	21.5:1	1870cc	44-48kW (60-65)PS	TD22200	1251	
F8Q 636	4 Cyl.	21.5:1	1870cc	45kW (61)PS	TD21227	1259	
F8Q 788	4 Cyl.	20.5:1	1870cc	66kW (90)PS	Turbo	TD21256	1281
F9Q 746	4 Cyl.	19:1	1870cc	75-79kW (102-107)PS	Turbo	TD24971	1287
F9Q 751	4 Cyl.	19:1	1870cc	88kW (120)PS	Turbo	TD21226	1294
							NF846 25.00x42.00x7.00mm FPM/ACM

509	80.00	Diesel				
F8Q 600	4 Cyl.	21.5:1	1870cc	44kW (60)PS	TD16330	1251
B x C x D	OE	MAT.				E x F x G
V91895 	7701 465 107		30°			VAG92329B 39.00 x 8.00 x 13.07
36.20 x 8.00 x 111.70 →08/93		MD				VAG96226B 39.00 x 8.02 x 13.13
V94067 	7701 468 035		45°	H		
35.00 x 8.00 x 111.90 09/93→08/96		MB				
V94338 	7701 471 704		45°	H		
35.30 x 8.00 x 110.00 09/96→		MB				
V91267 	7701 462 814		45°			
31.50 x 8.00 x 111.50 →08/96		MD				
V94339 	7701 469 373		45°	ss	H	
31.50 x 8.00 x 109.80 06/98→		MG				
V94187 			45°		H	
31.50 x 8.00 x 111.30 09/96→05/98		MG cr				

AY730 Steel Elastomer, 1.520mm, 3 Notches, 3 Holes (0.206) mm→							NF846 25.00x42.00x7.00mm FPM/ACM



AY730

510



80.00

Diesel



F8Q 606

4 Cyl.

21.5:1

1870cc

40kW (54)PS

TD9690

1252

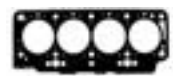
TRAFIC

06/97→03/01

TB545 153x25.4	TBK098 Component No:TB545; AE1052GP;AE1051TP	CAM664			FOL180 (x8)

 B x C x D	OE	MAT.			 E x F x G
V91895 ■ 36.20 x 8.00 x 111.70 →08/93	7701 465 107	 MD	30°		VAG92329B ■ ■ 39.00 x 8.00 x 13.07
V94067 ■ 35.00 x 8.00 x 111.90 09/93→08/96	7701 468 035	 MB	45°	H	VAG96226B ■ ■ 39.00 x 8.02 x 13.13
V94338 ■ 35.30 x 8.00 x 110.00 09/96→	7701 471 704	 MB	45°	H	
V91267 ■ 31.50 x 8.00 x 111.50 →08/96	7701 462 814	 MD	45°		
V94339 ■ 31.50 x 8.00 x 109.80 06/98→	7701 469 373	 MG	45°	ss H	
V94187 ■ 31.50 x 8.00 x 111.30 09/96→05/98		 MG cr	45°	H	

AY710 Steel Elastomer, 1.360mm, 2 Notches, 2 Holes →(0.073) mm	DL961 ▲ [10]	HBS120 ⊕ M12x1.50x118.00mm (x10)	JD463	JN732	HR569 ■	NF846 25.00x42.00x7.00mm FPM/ACM
AY720 Steel Elastomer, 1.440mm, 1 Notch, 1 Hole →(0.073)→(0.206) mm						
AY730 Steel Elastomer, 1.520mm, 3 Notches, 3 Holes →(0.206) mm→						





AY710, AY720, AY730



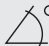



[10] With gaskets/seals









[10] Avec joints

[10] Con guarnizioni

[10] Con juntas

511	 80.00	Diesel					
F8Q 610	4 Cyl.	20.5:1	1870cc	69-66kW (94-90)PS	Turbo	TD19666	1253
19	09/90→04/92						

 <p>B x C x D</p>	OE	 <p>MAT.</p>	  	 <p>E x F x G</p>
VAG96226B I E 39.00 x 8.02 x 13.13				

							
BS520 Fibre Composite, 1.650mm, 2 Holes →(0.868) mm BS530 Fibre Composite, 1.750mm, 1 Hole →(0.868)→(1.000) mm BS540 Fibre Composite, 1.850mm, 3 Holes →(1.000) mm→	DL961 ▲ [10]		HBS244 ☉ M12x1.50x111.00mm (x10)	JD409	JN732	HR569 ☒	NF846 25.00x42.00x7.00mm FPM/ACM



BS520, BS530, BS540
 [10] With gaskets/seals [10] Avec joints [10] Con guarnizioni [10] Con juntas

512


80.00
Diesel


F8Q 620	4 Cyl.	21.5:1	1870cc	47kW (64)PS	TD4867	1254
F8Q 624	4 Cyl.	21.5:1	1870cc	48kW (65)PS	TD16348	1256

MEGANE 01/96→08/03

TB258 153x25.4 →09/96 TB545 153x25.4 09/96→	TBK038 →09/96 Component No:TB258; AE1051TP;AE1052GP TBK098 09/96→ Component No:TB545; AE1052GP;AE1051TP	CAM758 →09/96 CAM759 09/96→			FOL180 (x8)

	OE	MAT.			
B x C x D	OE	MAT.			E x F x G
V94067 35.00 x 8.00 x 111.90 →08/96	7701 468 035	 MB	45°	H	VAG92329B 39.00 x 8.00 x 13.07 VAG96226B 39.00 x 8.02 x 13.13
V94338 35.30 x 8.00 x 110.00 09/96→	7701 471 704	 MB	45°	H	
V91267 31.50 x 8.00 x 111.50 →08/96	7701 462 814	 MD	45°		
V94339 31.50 x 8.00 x 109.80 06/98→	7701 469 373	 MG	45°	ss	H
V94187 31.50 x 8.00 x 111.30 09/96→05/98		 MG cr	45°		H

BS520 Fibre Composite, 1.650mm, 2 Holes →(0.868) mm	DL961 [10]		HBS244 M12x1.50x111.00mm (x10)	JD409	JN732	HR569	NF846 25.00x42.00x7.00mm FPM/ACM
BS530 Fibre Composite, 1.750mm, 1 Hole →(0.868)→(1.000) mm							
BS540 Fibre Composite, 1.850mm, 3 Holes →(1.000) mm→							


BS520, BS530, BS540

[10] With gaskets/seals

[10] Avec joints

[10] Con guarnizioni

[10] Con juntas

513







 **80.00**

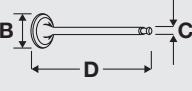
















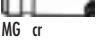
Diesel













F8Q 622 4 Cyl. 21.5:1 1870cc **47kW (64)PS** **TD18295** **1255**

MEGANE 04/99→08/03

					
TB545 153x25.4	TBK098 Component No:TB545; AE1052GP;AE1051TP	CAM664			FOL180 (x8)

 B x C x D	OE	MAT.			 E x F x G
V91895  36.20 x 8.00 x 111.70 →08/93	7701 465 107	 MD	30°		VAG92329B  39.00 x 8.00 x 13.07
V94067  35.00 x 8.00 x 111.90 09/93→08/96	7701 468 035	 MB	45°	H	VAG96226B  39.00 x 8.02 x 13.13
V94338  35.30 x 8.00 x 110.00 09/96→	7701 471 704	 MB	45°	H	
V91267  31.50 x 8.00 x 111.50 →08/96	7701 462 814	 MD	45°		
V94339  31.50 x 8.00 x 109.80 06/98→	7701 469 373	 MG	45°	ss H	
V94187  31.50 x 8.00 x 111.30 09/96→05/98		 MG cr	45°	H	

							
AY710 Steel Elastomer, 1.360mm, 2 Notches, 2 Holes ⊖→(0.073) mm	DL961 ▲ [10]	HBS120  M12x1.50x118.00mm (x10)	JD409	JN732	HR569 	NF846 25.00x42.00x7.00mm FPM/ACM	
AY720 Steel Elastomer, 1.440mm, 1 Notch, 1 Hole ⊖(0.073)→(0.206) mm							
AY730 Steel Elastomer, 1.520mm, 3 Notches, 3 Holes ⊖(0.206) mm→							



AY710, AY720, AY730

[10] With gaskets/seals

[10] Avec joints

[10] Con guarnizioni

[10] Con juntas

514



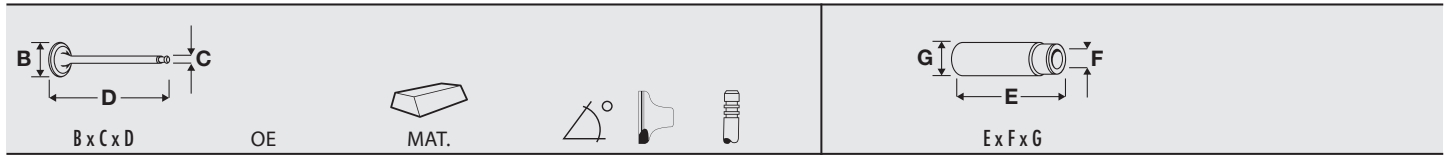
80.00

Diesel



F8Q 630	4 Cyl.	21.5:1	1870cc	48kW (65)PS	TD22401	1257
F8Q 630	4 Cyl.	21.5:1	1870cc	47kW (64)PS	TD9626	1258
CLIO	09/98→	KANGOO	08/97→	SOLENZA	02/03→	
THALIA	02/98→05/01					

TB735 151x25.4	TBK280 Component No:TB735; AE1051TP;AE1070GP; AE1136GP	CAM664			FOL180 (x8)



V94338 35.30 x 8.00 x 110.00			45°	H	VAG92329B 39.00 x 8.00 x 13.07
V94339 31.50 x 8.00 x 109.80	7701 469 373		45°	ss H	VAG96226B 39.00 x 8.02 x 13.13

AD5030 Fibre Composite, 1.400mm, 2 Holes	DL961 ▲ [10]	HBS120 M12x1.50x118.00mm (x10)	JD409	JN732	HR569	NF846 25.00x42.00x7.00mm FPM/ACM
AD5040 Fibre Composite, 1.500mm, 1 Hole						
AD5050 Fibre Composite, 1.600mm, 3 Holes						



AD5030, AD5040, AD5050

[10] With gaskets/seals

[10] Avec joints

[10] Con guarnizioni

[10] Con juntas

515	80.00	Diesel	
F8Q 632	4 Cyl.	21.5:1	1870cc
			47-48kW (64-65)PS
			TD17431 1257
CLIO	02/00→05/01	KANGOO	08/97→

TB735 151x25.4	TBK280 Component No:TB735; AE1051TP;AE1070GP; AE1136GP	CAM664	KIT		

	OE	MAT.				
B x C x D						E x F x G
V91895	7701 465 107		30°			VAG92329B
36.20 x 8.00 x 111.70 →08/93		MD				39.00 x 8.00 x 13.07
V94067	7701 468 035		45°		H	VAG96226B
35.00 x 8.00 x 111.90 09/93→08/96		MB				39.00 x 8.02 x 13.13
V94338	7701 471 704		45°		H	
35.30 x 8.00 x 110.00 09/96→		MB				
V91267	7701 462 814		45°			
31.50 x 8.00 x 111.50 →08/96		MD				
V94339	7701 469 373		45°	ss	H	
31.50 x 8.00 x 109.80 06/98→		MG				
V94187			45°		H	
31.50 x 8.00 x 111.30 09/96→05/98		MG cr				

AD5030 Fibre Composite, 1.400mm, 2 Holes	DL961 ▲ [10]		HBS120	JD409	JN732	HR569	NF846
AD5040 Fibre Composite, 1.500mm, 1 Hole			M12x1.50x118.00mm (x10)				25.00x42.00x7.00mm FPM/ACM
AD5050 Fibre Composite, 1.600mm, 3 Holes							



AD5030, AD5040, AD5050

[10] With gaskets/seals

[10] Avec joints

[10] Con guarnizioni

[10] Con juntas

516


80.00
Diesel

F8Q 640 4 Cyl. 21.5:1 1870cc **40kW (54)PS** **TD5510** **1254**
EXPRESS 07/95→10/97 **RAPID** 09/94→03/98

TB292 151x25.4 →08/96	TBK036 151x25.4 →08/96				
TB735 151x25.4 09/96→	Groove Distance:9.525 Component No:AE1051TP; AE1070GP;TB292 TBK280 09/96→ Component No:TB735; AE1051TP;AE1070GP; AE1136GP				

	OE	MAT.			
B x C x D					E x F x G
V94067 35.00 x 8.00 x 111.90 →08/96	7701 468 035	 MB	45°	H	VAG92329B 39.00 x 8.00 x 13.07
V94338 35.30 x 8.00 x 110.00 09/96→	7701 471 704	 MB	45°	H	VAG96226B 39.00 x 8.02 x 13.13
V91267 31.50 x 8.00 x 111.50 →08/96	7701 462 814	 MD	45°		
V94339 31.50 x 8.00 x 109.80 06/98→	7701 469 373	 MG	45°	ss	H
V94187 31.50 x 8.00 x 111.30 09/96→05/98		 MG cr	45°	H	

BS520 Fibre Composite, 1.650mm, 2 Holes →(0.868) mm	DL961 [10]		HBS244 M12x1.50x111.00mm (x10)	JD409	JN732	HR569	NF846 25.00x42.00x7.00mm FPM/ACM
BS530 Fibre Composite, 1.750mm, 1 Hole →(0.868)→(1.000) mm							
BS540 Fibre Composite, 1.850mm, 3 Holes →(1.000) mm→							




BS520, BS530, BS540



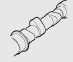









[10] With gaskets/seals



[10] Avec joints

[10] Con guarnizioni

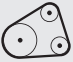





[10] Con juntas









517	 80.00	Diesel			
F8Q 644	4 Cyl.	21.5:1	1870cc	40-66kW (54-90)PS	TD21146 1260
F8Q 648	4 Cyl.	21.5:1	1870cc	66kW (90)PS	TD21251 1262
F8Q 680	4 Cyl.	21.5:1	1870cc	40-66kW (54-90)PS	TD21253 1266
F8Q 684	4 Cyl.	21.5:1	1870cc	40-48kW (54-65)PS	TD21254 1266

					
					FOL180 (x8)
					
					NF846 25.00x42.00x7.00mm FPM/ACM

518	 80.00	Diesel			
F8Q 646	4 Cyl.	21.5:1	1870cc	47-66kW (64-90)PS	TD21252 1261

RAPID 09/91 → 03/98

					
TB292 151x25.4 →08/96	TBK036 151x25.4 →08/96				FOL180 (x8)
TB735 151x25.4 09/96 →	Groove Distance:9.525 Component No:AE1051TP; AE1070GP;TB292 TBK280 09/96 → Component No:TB735; AE1051TP;AE1070GP; AE1136GP				

							
BS520 Fibre Composite, 1.650mm, 2 Holes ☞→(0.868) mm	DL961 ▲ [10]		HBS244 ☉ M12x1.50x111.00mm (x10)	JD409	JN732	HR569 ☒	NF846 25.00x42.00x7.00mm FPM/ACM
BS530 Fibre Composite, 1.750mm, 1 Hole ☞(0.868)→(1.000) mm							
BS540 Fibre Composite, 1.850mm, 3 Holes ☞(1.000) mm →							



BS520, BS530, BS540

[10] With gaskets/seals

[10] Avec joints

[10] Con guarnizioni

[10] Con juntas

519


80.00
Diesel

F8Q 662 4 Cyl. 21.5:1 1870cc **47kW (64)PS** **TD9625** **1263**
KANGOO 08/97→

TB735 151x25.4	TBK280 Component No:TB735; AE1051TP;AE1070GP; AE1136GP	CAM664			FOL180 (x8)

B x C x D	OE	MAT.	45°	H	E x F x G
V94338 ■ 35.30 x 8.00 x 110.00	7701 471 704		45°	H	VAG92329B ■ ■ ■ 39.00 x 8.00 x 13.07
V94187 ■ 31.50 x 8.00 x 111.30 →05/98			45°	H	VAG96226B ■ ■ ■ 39.00 x 8.02 x 13.13
V94339 ■ 31.50 x 8.00 x 109.80 06/98→	7701 469 373		45°	ss H	

AD5030 Fibre Composite, 1.400mm, 2 Holes	DL961 ▲ [10]	HBS120 ⊕ M12x1.50x118.00mm (x10)	JD409	JN732	HR569 ■	NF846 25.00x42.00x7.00mm FPM/ACM
AD5040 Fibre Composite, 1.500mm, 1 Hole						
AD5050 Fibre Composite, 1.600mm, 3 Holes						


AD5030, AD5040, AD5050

[10] With gaskets/seals [10] Avec joints [10] Con guarnizioni [10] Con juntas

520


80.00
Diesel

F8Q 676 4 Cyl. 21.5:1 1870cc **48kW (65)PS** **TD23895** **1264**
CLIO 05/96→02/98

BS520 Fibre Composite, 1.650mm, 2 Holes ⊖→(0.868) mm	DL961 ▲ [10]	HBS244 ⊕ M12x1.50x111.00mm (x10)	JD409	JN732	HR569 ■	NF846 25.00x42.00x7.00mm FPM/ACM
BS530 Fibre Composite, 1.750mm, 1 Hole ⊖(0.868)→(1.000) mm						
BS540 Fibre Composite, 1.850mm, 3 Holes ⊖(1.000) mm→						


BS520, BS530, BS540

[10] With gaskets/seals [10] Avec joints [10] Con guarnizioni [10] Con juntas

521

 80.00

Diesel



F8Q 678

4 Cyl.

21.5:1

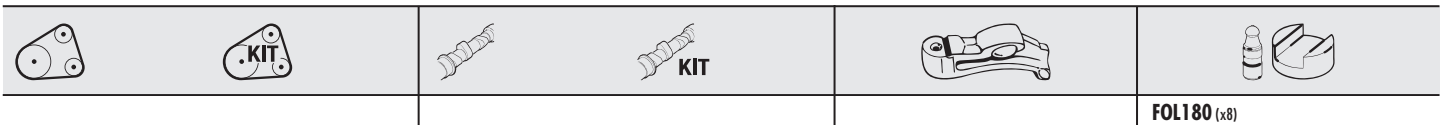
1870cc

48-40kW (65-54)PS

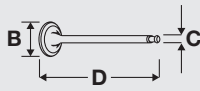
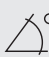

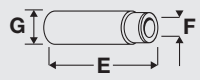













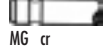
TD20390

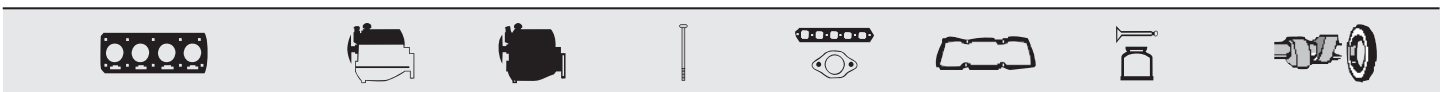
1265

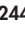

CLIO 04/96 → 09/98



FOL180 (x8)

 B x C x D	OE	MAT.			 E x F x G
V91895  36.20 x 8.00 x 111.70 →08/93	7701 465 107	 MD	30°		VAG92329B  39.00 x 8.00 x 13.07
V94067  35.00 x 8.00 x 111.90 09/93 → 08/96	7701 468 035	 MB	45°	H	VAG96226B  39.00 x 8.02 x 13.13
V94338  35.30 x 8.00 x 110.00 09/96 →	7701 471 704	 MB	45°	H	
V91267  31.50 x 8.00 x 111.50 →08/96	7701 462 814	 MD	45°		
V94339  31.50 x 8.00 x 109.80 06/98 →	7701 469 373	 MG	45°	ss H	
V94187  31.50 x 8.00 x 111.30 09/96 → 05/98		 MG cr	45°	H	



BS520 Fibre Composite, 1.650mm, 2 Holes →(0.868) mm	DL961 ▲ [10]	HBS244  M12x1.50x111.00mm (x10)	JD409	JN732	HR569 	NF846 25.00x42.00x7.00mm FPM/ACM
BS530 Fibre Composite, 1.750mm, 1 Hole →(0.868) →(1.000) mm						
BS540 Fibre Composite, 1.850mm, 3 Holes →(1.000) mm →						



BS520, BS530, BS540

[10] With gaskets/seals

[10] Avec joints

[10] Con guarnizioni

[10] Con juntas



TB292 151x25.4 →08/96	TBK036 151x25.4 →08/96				
TB735 151x25.4 09/96→	Groove Distance:9.525 Component No:AE1051TP; AE1070GP;TB292 TBK280 09/96→ Component No:TB735; AE1051TP;AE1070GP; AE1136GP				FOL180 (x8)

 B x C x D	OE	MAT.				 E x F x G
V91895 36.20 x 8.00 x 111.70 →08/93	7701 465 107	 MD	30°			VAG92329B 39.00 x 8.00 x 13.07
V94067 35.00 x 8.00 x 111.90 09/93→08/96	7701 468 035	 MB	45°	H		VAG96226B 39.00 x 8.02 x 13.13
V94338 35.30 x 8.00 x 110.00 09/96→	7701 471 704	 MB	45°	H		
V91267 31.50 x 8.00 x 111.50 →08/96	7701 462 814	 MD	45°			
V94339 31.50 x 8.00 x 109.80 06/98→	7701 469 373	 MG	45°	ss	H	
V94187 31.50 x 8.00 x 111.30 09/96→05/98		 MG cr	45°		H	

BS520 Fibre Composite, 1.650mm, 2 Holes →(0.868) mm	DL961 ▲ [10]		HBS244 M12x1.50x111.00mm (x10)	JD409	JN732	HR569	NF846 25.00x42.00x7.00mm FPM/ACM
BS530 Fibre Composite, 1.750mm, 1 Hole →(0.868)→(1.000) mm							
BS540 Fibre Composite, 1.850mm, 3 Holes →(1.000) mm→							


BS520, BS530, BS540

[10] With gaskets/seals

[10] Avec joints

[10] Con guarnizioni

[10] Con juntas

523

 80.00

Diesel



F8Q 696

4 Cyl.

21.5:1

1870cc







40-48kW (54-65)PS







TD21255

1268

CLIO

05/96 → 02/98

					
					FOL180 (x8)

							
---	---	---	---	---	---	---	---

BS520 Fibre Composite, 1.650mm, 2 Holes

→(0.868) mm

BS530 Fibre Composite, 1.750mm, 1 Hole

→(0.868) →(1.000) mm

BS540 Fibre Composite, 1.850mm, 3 Holes

→(1.000) mm →

DL961 ▲ [10]

HBS244 ⊕

M12x1.50x111.00mm (x10)

JD409

JN732

HR569 ⊕

NF846

25.00x42.00x7.00mm FPM/ACM



BS520, BS530, BS540

[10] With gaskets/seals

[10] Avec joints

[10] Con guarnizioni

[10] Con juntas



TB258 153x25.4	TBK038 Component No:TB258; AE1051TP;AE1052GP	CAM689	KIT		FOL149 (x8) [1]

[1] Mechanical

[1] Mécanique

[1] Meccanico

[1] Mecánico

	OE	MAT.			
B x C x D					E x F x G
V91895 ■ 36.20 x 8.00 x 111.70 →08/93	7701 465 107		30°		VAG92329B ■ ■ ■ 39.00 x 8.00 x 13.07
V94067 ■ 35.00 x 8.00 x 111.90 09/93→08/96	7701 468 035		45°	H	VAG96226B ■ ■ ■ 39.00 x 8.02 x 13.13
V94338 ■ 35.30 x 8.00 x 110.00 09/96→	7701 471 704		45°	H	
V91267 ■ 31.50 x 8.00 x 111.50 →08/96	7701 462 814		45°		
V94339 ■ 31.50 x 8.00 x 109.80 06/98→	7701 469 373		45°	ss H	
V94187 ■ 31.50 x 8.00 x 111.30 09/96→05/98			45°	H	

BS520 Fibre Composite, 1.650mm, 2 Holes →(0.868) mm	DL961 ▲ [10]		HBS244 ☉ M12x1.50x111.00mm (x10)	JD409	JN732	HR569 ■	NF846 25.00x42.00x7.00mm FPM/ACM
BS530 Fibre Composite, 1.750mm, 1 Hole →(0.868)→(1.000) mm							
BS540 Fibre Composite, 1.850mm, 3 Holes →(1.000) mm→							




BS520, BS530, BS540



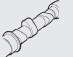



[10] With gaskets/seals

[10] Avec joints

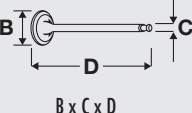
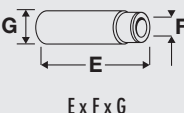





[10] Con guarnizioni








[10] Con juntas

525	 80.00	Diesel				
F8Q 710	4 Cyl.	21.5:1	1870cc	47kW (64)PS	TD3288	1270
F8Q 742	4 Cyl.	21.5:1	1870cc	47-48kW (64-65)PS	TD3295	1270
19	01/88→12/95	21	03/86→08/94			

					
TB258 153x25.4	TBK038 Component No:TB258; AE1051TP;AE1052GP	CAM689	KIT		FOL149 (x8) [1]

[1] Mechanical [1] Mécanique [1] Meccanico [1] Mecánico

	
B x C x D	E x F x G
OE	
MAT.	
V91895 	VAG92329B 
7701 465 107	39.00 x 8.00 x 13.07
36.20 x 8.00 x 111.70	VAG96226B 
→08/93	39.00 x 8.02 x 13.13
V94067 	
7701 468 035	
35.00 x 8.00 x 111.90	
09/93→	
V91267 	
7701 462 814	
31.50 x 8.00 x 111.50	

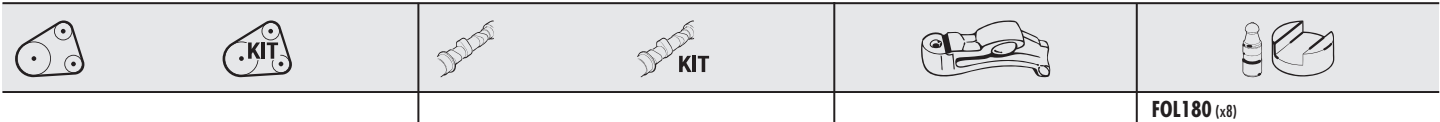
						
BS520 Fibre Composite, 1.650mm, 2 Holes ↔→(0.868) mm	DL961 ▲ [10]	HBS244 ⊕ M12x1.50x111.00mm (x10)	JD409	JN732	HR569 ⊕	NF846 25.00x42.00x7.00mm FPM/ACM
BS530 Fibre Composite, 1.750mm, 1 Hole ↔→(0.868)→(1.000) mm						
BS540 Fibre Composite, 1.850mm, 3 Holes ↔→(1.000) mm→						



BS520, BS530, BS540
[10] With gaskets/seals [10] Avec joints [10] Con guarnizioni [10] Con juntas

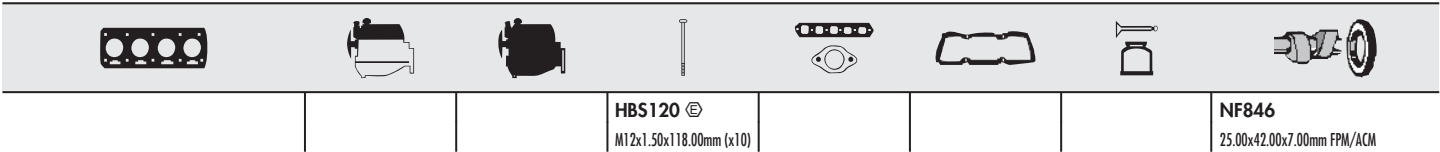


F8Q 714 4 Cyl. 21.5:1 1870cc 47-48kW (64-65)PS TD3289 1271



FOL180 (x8)

 B x C x D				OE	MAT.	 30°	 H	 E x F x G	
V91895	7701 465 107	MD	30°				VAG92329B		39.00 x 8.00 x 13.07
36.20 x 8.00 x 111.70 →08/93							VAG96226B		39.00 x 8.02 x 13.13
V94067	7701 468 035	MB	45°		H				
35.00 x 8.00 x 111.90 09/93→08/96									
V94338	7701 471 704	MB	45°		H				
35.30 x 8.00 x 110.00 09/96→									
V91267	7701 462 814	MD	45°						
31.50 x 8.00 x 111.50 →08/96									
V94339	7701 469 373	MG	45°	ss	H				
31.50 x 8.00 x 109.80 06/98→									
V94187		MG cr	45°		H				
31.50 x 8.00 x 111.30 09/96→05/98									



HBS120
M12x1.50x118.00mm (x10)

NF846
25.00x42.00x7.00mm FPM/ACM

527

 80.00

Diesel



F8Q 722

4 Cyl.

21.5:1

1870cc



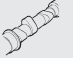



47-48kW (64-67)PS

TD3290

1272

RAPID

09/91→03/98

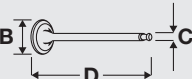
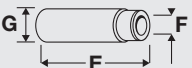











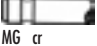
					
TB292 151x25.4 →08/96	TBK036 151x25.4 →08/96	CAM689			FOL149 (x8) [1]
TB735 151x25.4 09/96→	Groove Distance:9.525 Component No:AE1051TP; AE1070GP;TB292 TBK280 09/96→ Component No:TB735; AE1051TP;AE1070GP; AE1136GP				














[1] Mechanical

[1] Mécanique

[1] Meccanico

[1] Mecánico

					
B x C x D	OE	MAT.			E x F x G
V91895  36.20 x 8.00 x 111.70 →08/93	7701 465 107	 MD	30°		VAG92329B  39.00 x 8.00 x 13.07
V94067  35.00 x 8.00 x 111.90 09/93→08/96	7701 468 035	 MB	45°	H	VAG96226B  39.00 x 8.02 x 13.13
V94338  35.30 x 8.00 x 110.00 09/96→	7701 471 704	 MB	45°	H	
V91267  31.50 x 8.00 x 111.50 →08/96	7701 462 814	 MD	45°		
V94187  31.50 x 8.00 x 111.30 09/96→		 MG cr	45°	H	

						
BS520 Fibre Composite, 1.650mm, 2 Holes  →(0.868) mm	DL961  [10]	HBS244  M12x1.50x111.00mm (x10)	JD409	JN732	HR569 	NF846 25.00x42.00x7.00mm FPM/ACM
BS530 Fibre Composite, 1.750mm, 1 Hole  →(0.868)→(1.000) mm						
BS540 Fibre Composite, 1.850mm, 3 Holes  →(1.000) mm→						



BS520, BS530, BS540

[10] With gaskets/seals

[10] Avec joints

[10] Con guarnizioni

[10] Con juntas



F8Q 724 4 Cyl. 21.5:1 1870cc **47-48kW (64-67)PS** **TD3291** **1254**

EXPRESS 07/95→10/99 **RAPID** 09/91→03/98

TB292 151x25.4 →08/96 TB735 151x25.4 09/96→	TBK036 151x25.4 →08/96 Groove Distance:9.525 Component No:AE1051TP; AE1070GP;TB292 TBK280 09/96→ Component No:TB735; AE1051TP;AE1070GP; AE1136GP	CAM689			FOL149 (x8) [1]

[1] Mechanical

[1] Mécanique

[1] Meccanico

[1] Mecánico

 B x C x D	OE	MAT.				 E x F x G
V91895 ■ 36.20 x 8.00 x 111.70 →08/93	7701 465 107	 MD	30°			VAG92329B ■ ■ ■ 39.00 x 8.00 x 13.07 VAG96226B ■ ■ ■ 39.00 x 8.02 x 13.13
V94067 ■ 35.00 x 8.00 x 111.90 09/93→08/96	7701 468 035	 MB	45°	H		
V94338 ■ 35.30 x 8.00 x 110.00 09/96→	7701 471 704	 MB	45°	H		
V91267 ■ 31.50 x 8.00 x 111.50 →08/96	7701 462 814	 MD	45°			
V94339 ■ 31.50 x 8.00 x 109.80 06/98→	7701 469 373	 MG	45°	ss	H	
V94187 ■ 31.50 x 8.00 x 111.30 09/96→05/98		 MG cr	45°		H	

BS520 Fibre Composite, 1.650mm, 2 Holes ⊖→(0.868) mm BS530 Fibre Composite, 1.750mm, 1 Hole ⊖(0.868)→(1.000) mm BS540 Fibre Composite, 1.850mm, 3 Holes ⊖(1.000) mm→	DL961 ▲ [10]		HBS244 ⊕ M12x1.50x111.00mm (x10)	JD409	JN732	HR569 ■	NF846 25.00x42.00x7.00mm FPM/ACM



BS520, BS530, BS540

[10] With gaskets/seals

[10] Avec joints

[10] Con guarnizioni

[10] Con juntas

529

 **80.00**

Diesel



F8Q 730

4 Cyl.

21.5:1

1870cc







47-48kW (64-65)PS

TD4868

1273

CLIO

01/91→09/98

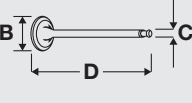
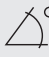


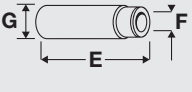

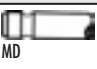


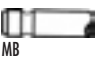




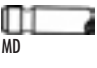

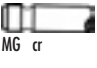
					
TB735 151x25.4	TBK280 Component No:TB735; AE1051TP;AE1070GP; AE1136GP	CAM689			FOL149 (x8) [1]











[1] Mechanical

[1] Mécanique

[1] Meccanico

[1] Mecánico

 B x C x D	OE	MAT.				 E x F x G
V91895  36.20 x 8.00 x 111.70 →08/93	7701 465 107	 MD	30°			VAG923298  39.00 x 8.00 x 13.07
V94067  35.00 x 8.00 x 111.90 09/93→08/96	7701 468 035	 MB	45°		H	VAG96226B  39.00 x 8.02 x 13.13
V94338  35.30 x 8.00 x 110.00 09/96→	7701 471 704	 MB	45°		H	
V91267  31.50 x 8.00 x 111.50 →08/96	7701 462 814	 MD	45°			
V94187  31.50 x 8.00 x 111.30 09/96→		 MG cr	45°		H	

							
BS520 Fibre Composite, 1.650mm, 2 Holes →(0.868) mm	DL961 ▲ [10]	HBS244  M12x1.50x111.00mm (x10)	JD409	JN732	HR569 	NF846 25.00x42.00x7.00mm FPM/ACM	
BS530 Fibre Composite, 1.750mm, 1 Hole →(0.868)→(1.000) mm							
BS540 Fibre Composite, 1.850mm, 3 Holes →(1.000) mm→							



BS520, BS530, BS540

[10] With gaskets/seals

[10] Avec joints

[10] Con guarnizioni

[10] Con juntas

530



80.00

Diesel



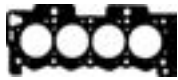
F8Q 732 4 Cyl. 21.5:1 1870cc 47-48kW (64-65)PS TD4869 1274

CLIO 01/91→09/98

TB735 151x25.4	TBK280 Component No:TB735; AE1051TP;AE1070GP; AE1136GP	CAM689			FOL180 (x8)

 B x C x D	OE	MAT.				 E x F x G
V91895 ■ 36.20 x 8.00 x 111.70 →08/93	7701 465 107	 MD	30°			VAG92329B ■ ■ ■ 39.00 x 8.00 x 13.07 VAG96226B ■ ■ ■ 39.00 x 8.02 x 13.13
V94067 ■ 35.00 x 8.00 x 111.90 09/93→08/96	7701 468 035	 MB	45°		H	
V94338 ■ 35.30 x 8.00 x 110.00 09/96→	7701 471 704	 MB	45°		H	
V91267 ■ 31.50 x 8.00 x 111.50 →08/96	7701 462 814	 MD	45°			
V94339 ■ 31.50 x 8.00 x 109.80 06/98→	7701 469 373	 MG	45°	ss	H	
V94187 ■ 31.50 x 8.00 x 111.30 09/96→05/98		 MG cr	45°		H	

BS520 Fibre Composite, 1.650mm, 2 Holes →(0.868) mm	DL961 ▲ [10]		HBS244 ☉ M12x1.50x111.00mm (x10)	JD409	JN732	HR569 ■	NF846 25.00x42.00x7.00mm FPM/ACM
BS530 Fibre Composite, 1.750mm, 1 Hole →(0.868)→(1.000) mm							
BS540 Fibre Composite, 1.850mm, 3 Holes →(1.000) mm→							



BS520, BS530, BS540

[10] With gaskets/seals

[10] Avec joints

[10] Con guarnizioni

[10] Con juntas

531	80.00	Diesel					
F8Q 740	4 Cyl.	20.5:1	1870cc	66-68kW (90-93)PS	Turbo	TD3294	1253
19	09/90→12/95						

TB258 153x25.4	TBK038 Component No:TB258; AE1051TP;AE1052GP	CAM762 01/91→			

V94068	7701 466 716		30°	ss	H	VAG92329B
36.20 x 8.00 x 111.70 →09/93						39.00 x 8.00 x 13.07
V94077	7701 469 369		45°		H	VAG96226B
35.20 x 8.00 x 111.70 10/93→						39.00 x 8.02 x 13.13
V94069	7701 466 717		45°		H	
31.50 x 8.00 x 111.70						

AY710 Steel Elastomer, 1.360mm, 2 Notches, 2 Holes →(0.073) mm	DY040 [10]	HBS120 M12x1.50x118.00mm (x10)	JD463	JN732	HR569	NF846 25.00x42.00x7.00mm FPM/ACM
AY720 Steel Elastomer, 1.440mm, 1 Notch, 1 Hole →(0.073)→(0.206) mm						
AY730 Steel Elastomer, 1.520mm, 3 Notches, 3 Holes →(0.206) mm→						



AY710, AY720, AY730

[10] With gaskets/seals [10] Avec joints [10] Con guarnizioni [10] Con juntas

532



80.00

Diesel



F8Q 744 4 Cyl. 20.5:1 1870cc **66kW (89)PS** **Turbo** **TD3296** **1275**

19 04/92→12/95

TB258 153x25.4	TBK038 Component No:TB258; AE1051TP;AE1052GP		KIT		

B x C x D	E x F x G
OE	MAT.
V94068	VAG92329B
7701 466 716	39.00 x 8.00 x 13.07
36.20 x 8.00 x 111.70	VAG96226B
→09/93	39.00 x 8.02 x 13.13
V94077	
7701 469 369	
35.20 x 8.00 x 111.70	
10/93→	
V94069	
7701 466 717	
31.50 x 8.00 x 111.70	

AY710 Steel Elastomer, 1.360mm, 2 Notches, 2 Holes ⊖→(0.073) mm	DY040 ▲ [10]	HBS120 M12x1.50x118.00mm (x10)	JD463	JN732	HR569	NF846 25.00x42.00x7.00mm FPM/ACM
AY720 Steel Elastomer, 1.440mm, 1 Notch, 1 Hole ⊖(0.073)→(0.206) mm						
AY730 Steel Elastomer, 1.520mm, 3 Notches, 3 Holes ⊖(0.206) mm→						



AY710, AY720, AY730

[10] With gaskets/seals

[10] Avec joints

[10] Con guarnizioni

[10] Con juntas

533	80.00	Diesel				
F8Q 764	4 Cyl.	21.5:1	1870cc	47kW (64)PS	TD3297	1271

B x C x D	OE	MAT.				E x F x G
V91895	7701 465 107	MD	30°			VAG92329B 39.00 x 8.00 x 13.07
36.20 x 8.00 x 111.70 →08/93						VAG96226B 39.00 x 8.02 x 13.13
V94067	7701 468 035	MB	45°		H	
35.00 x 8.00 x 111.90 09/93→08/96						
V94338	7701 471 704	MB	45°		H	
35.30 x 8.00 x 110.00 09/96→						
V91267	7701 462 814	MD	45°			
31.50 x 8.00 x 111.50 →08/96						
V94339	7701 469 373	MG	45°	ss	H	
31.50 x 8.00 x 109.80 06/98→						
V94187		MG cr	45°		H	
31.50 x 8.00 x 111.30 09/96→05/98						

			HBS120 M12x1.50x118.00mm (x10)				NF846 25.00x42.00x7.00mm FPM/ACM

534	80.00	Diesel					
F8Q 768	4 Cyl.	20.5:1	1870cc	66kW (90)PS	Turbo	TD19234	1277

B x C x D	OE	MAT.				E x F x G
V91269	7701 462 813	MB	30°		H	VAG92329B 39.00 x 8.00 x 13.07
36.30 x 8.00 x 111.70						VAG96226B 39.00 x 8.02 x 13.13
V94067	7701 468 035	MB	45°		H	
35.00 x 8.00 x 111.90						
V94338	7701 471 704	MB	45°		H	
35.30 x 8.00 x 110.00						
V91267	7701 462 814	MD	45°			
31.50 x 8.00 x 111.50						
V94187		MG cr	45°		H	
31.50 x 8.00 x 111.30						
V94339	7701 469 373	MG	45°	ss	H	
31.50 x 8.00 x 109.80						

				JD463			NF846 25.00x42.00x7.00mm FPM/ACM



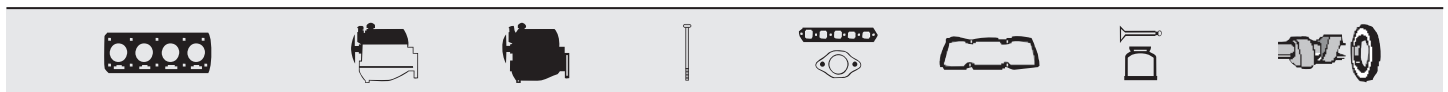
F8Q 774 4 Cyl. 21.5:1 1870cc 47-48kW (64-67)PS TD3298 1254

RAPID 09/91→03/98

TB292 151x25.4 →08/96 TB735 151x25.4 09/96→	TBK036 151x25.4 →08/96 Groove Distance:9.525 Component No:AE1051TP; AE1070GP;TB292 TBK280 09/96→ Component No:TB735; AE1051TP;AE1070GP; AE1136GP	CAM689			FOL149 (x8) [1]

[1] Mechanical [1] Mécanique [1] Meccanico [1] Mecánico

 B x C x D	OE	MAT.			 E x F x G
V91895 ■ 36.20 x 8.00 x 111.70 →08/93	7701 465 107	 MD	30°		VAG92329B ■ ■ 39.00 x 8.00 x 13.07 VAG96226B ■ ■ 39.00 x 8.02 x 13.13
V94067 ■ 35.00 x 8.00 x 111.90 09/93→08/96	7701 468 035	 MB	45°	H	
V94338 ■ 35.30 x 8.00 x 110.00 09/96→	7701 471 704	 MB	45°	H	
V91267 ■ 31.50 x 8.00 x 111.50 →08/96	7701 462 814	 MD	45°		
V94339 ■ 31.50 x 8.00 x 109.80 06/98→	7701 469 373	 MG	45°	ss	H
V94187 ■ 31.50 x 8.00 x 111.30 09/96→05/98		 MG cr	45°		H



BS520 Fibre Composite, 1.650mm, 2 Holes →(0.868) mm	DL961 ▲ [10]	HBS244 ⊕ M12x1.50x111.00mm (x10)	JD409	HR569 ■	NF846 25.00x42.00x7.00mm FPM/ACM
BS530 Fibre Composite, 1.750mm, 1 Hole →(0.868)→(1.000) mm					
BS540 Fibre Composite, 1.850mm, 3 Holes →(1.000) mm→					



BS520, BS530, BS540

[10] With gaskets/seals [10] Avec joints [10] Con guarnizioni [10] Con juntas

536



80.00

Diesel



F8Q 776

4 Cyl.

21.5:1

1870cc

47-48kW (64-67)PS

TD3299

1254

EXPRESS

07/95→10/99

RAPID

09/91→03/98

TB292 151x25.4 →08/96 TB735 151x25.4 09/96→	TBK036 151x25.4 →08/96 Groove Distance:9.525 Component No:AE1051TP; AE1070GP;TB292 TBK280 09/96→ Component No:TB735; AE1051TP;AE1070GP; AE1136GP	CAM689			FOL180 (x8) FOL149 (x8) [1]

[1] Mechanical

[1] Mécanique

[1] Meccanico

[1] Mecánico

	OE	MAT.			
B x C x D					E x F x G
V91895	7701 465 107	 MD	30°		VAG92329B 39.00 x 8.00 x 13.07
36.20 x 8.00 x 111.70 →08/93					VAG96226B 39.00 x 8.02 x 13.13
V94067	7701 468 035	 MB	45°	H	
35.00 x 8.00 x 111.90 09/93→08/96					
V94338	7701 471 704	 MB	45°	H	
35.30 x 8.00 x 110.00 09/96→					
V91267	7701 462 814	 MD	45°		
31.50 x 8.00 x 111.50 →08/96					
V94339	7701 469 373	 MG	45°	ss H	
31.50 x 8.00 x 109.80 06/98→					
V94187		 MG cr	45°	H	
31.50 x 8.00 x 111.30 09/96→05/98					

BS520 Fibre Composite, 1.650mm, 2 Holes →(0.868) mm	DL961 [10]		HBS244 M12x1.50x111.00mm (x10)	JD409		HR569	NF846 25.00x42.00x7.00mm FPM/ACM
BS530 Fibre Composite, 1.750mm, 1 Hole →(0.868)→(1.000) mm							
BS540 Fibre Composite, 1.850mm, 3 Holes →(1.000) mm→							



BS520, BS530, BS540

[10] With gaskets/seals

[10] Avec joints

[10] Con guarnizioni

[10] Con juntas



F8Q 784	4 Cyl.	20.5:1	1870cc	66-69kW (90-94)PS	Turbo	TD4870	1278
F8Q 786	4 Cyl.	20.5:1	1870cc	66kW (89)PS	Turbo	TD16352	1280

MEGANE 01/96→08/03

TB258 153x25.4 →09/96 TB545 153x25.4 09/96→	TBK038 →09/96 Component No:TB258; AE1051TP;AE1052GP TBK098 09/96→ Component No:TB545; AE1052GP;AE1051TP	CAM760 →08/96 CAM761 09/96→08/97 CAM690 09/97→	FOL180 (x8)

	OE	MAT.			
B x C x D	OE	MAT.			E x F x G
V91269	7701 462 813		30°	H	VAG92329B
36.30 x 8.00 x 111.70		MB			39.00 x 8.00 x 13.07
V94067	7701 468 035		45°	H	VAG96226B
35.00 x 8.00 x 111.90		MB			39.00 x 8.02 x 13.13
V94338	7701 471 704		45°	H	
35.30 x 8.00 x 110.00		MB			
V91267	7701 462 814		45°		
31.50 x 8.00 x 111.50		MD			
V94187			45°	H	
31.50 x 8.00 x 111.30		MG cr			
V94339	7701 469 373		45°	ss	H
31.50 x 8.00 x 109.80		MG			

AY710 Steel Elastomer, 1.360mm, 2 Notches, 2 Holes ⊖→(0.073) mm			HBS120 M12x1.50x118.00mm (x10)	JD463	JN732	HR569	NF846 25.00x42.00x7.00mm FPM/ACM
AY720 Steel Elastomer, 1.440mm, 1 Notch, 1 Hole ⊖(0.073)→(0.206) mm							
AY730 Steel Elastomer, 1.520mm, 3 Notches, 3 Holes ⊖(0.206) mm→							



AY710, AY720, AY730

538	80.00	Diesel				
F8Q 790	4 Cyl.	21.5:1	1870cc	47kW (64)PS	TD18290	1282
MEGANE	03/97→08/03	SCÉNIC	09/99→03/01			

TB545 153x25.4	TBK098 Component No:TB545; AE1052GP;AE1051TP	CAM664			

B x C x D	OE	MAT.			E x F x G
V94338	7701 471 704		45°	H	VAG92329B
35.30 x 8.00 x 110.00		MB			39.00 x 8.00 x 13.07
V94187			45°	H	VAG96226B
31.50 x 8.00 x 111.30		MG cr			39.00 x 8.02 x 13.13
→05/98					
V94339	7701 469 373		45°	ss	H
31.50 x 8.00 x 109.80		MG			
06/98→					

BS520 Fibre Composite, 1.650mm, 2 Holes →(0.868) mm	DL961 ▲ [10]		HBS244	JD409	JN732	HR569	NF846 25.00x42.00x7.00mm FPM/ACM
BS530 Fibre Composite, 1.750mm, 1 Hole →(0.868) →(1.000) mm			M12x1.50x111.00mm (x10)				
BS540 Fibre Composite, 1.850mm, 3 Holes →(1.000) mm→							



BS520, BS530, BS540

[10] With gaskets/seals [10] Avec joints [10] Con guarnizioni [10] Con juntas

539	80.00	Diesel					
F9Q 650	4 Cyl.	18.3:1	1870cc	88kW (120)PS	Turbo Intercooled	TD21 223	1283

		CAM706			

						NF846 25.00x42.00x7.00mm FPM/ACM	

RENAULT/DACIA

540



80.00

Diesel



F9Q 664	4 Cyl.	18.3:1	1870cc	68kW (92)PS		TD19677	1284
F9Q 674	4 Cyl.	18.3:1	1870cc	82kW (112)PS	Turbo	TD21225	1284
F9Q 758	4 Cyl.	17:1	1870cc	96kW (130)PS	Turbo Intercooled	TD19678	1284
F9Q 759	4 Cyl.	17:1	1870cc	96kW (130)PS	Turbo	TD19679	1284

LAGUNA 03/01 →

TB756 133x26	TBK322 Component No:TB756;AE1183TP						

AC5062 MLS AC5061 MLS, 1.320mm	CC5060 ▲ [10]		HBS372 ☉ M12x1.50x121.00mm (x10)	JD5189	JM5086 (Elastomer)	HR646 ☒	NF846 25.00x42.00x7.00mm FPM/ACM

AC5061 [10] With gaskets/seals	AC5062 [10] Avec joints	[10] Con guarnizioni	[10] Con juntas

541



80.00

Diesel



F9Q 670	4 Cyl.	18.3:1	1870cc	88kW (120)PS	Turbo	TD21224	1284
F9Q 680	4 Cyl.	18.3:1	1870cc	88kW (120)PS	Turbo	TD18286	1285
F9Q 826	4 Cyl.	18.3:1	1870cc	88kW (120)PS	Turbo	TD18288	1300

ESPACE 11/02 → LAGUNA 03/01 →

TB653 132x26	TBK275 Component No:TB653;AE1141TP						

 B x C x D	OE	MAT.		H	 E x F x G		
V94190 ☐ 35.40 x 7.00 x 111.00	7701 476 024	MB	45°	H	VAG96294B ☐ ☒		
V94191 ☒	7701 476 025	MG	45°	H	38.30 x 7.00 x 12.06		
32.60 x 7.00 x 110.80							

AC5062 MLS AC5061 MLS, 1.320mm	CC5060 ▲ [10]		HBS372 ☉ M12x1.50x121.00mm (x10)	JD5189	JM5086 (Elastomer)	HR646 ☒	NF846 25.00x42.00x7.00mm FPM/ACM

AC5061 [10] With gaskets/seals	AC5062 [10] Avec joints	[10] Con guarnizioni	[10] Con juntas

542	80.00	Diesel					
F9Q 710	4 Cyl.	18.3:1	1870cc	74kW (100)PS	Turbo Intercooled	TD16190	1286
LAGUNA 10/97→03/01							

TB546 153x26 →10/00	TBK114 →10/00 Component No:TB546; AE1051TP;AE1136GP; AE1135GP				
TB654 153x26 10/00→	TBK323 10/00→ Component No:TB654; AE1140GP;AE1099TP				

V94190 35.40 x 7.00 x 111.00	V94191 32.60 x 7.00 x 110.80	VAG96294B 38.30 x 7.00 x 12.06
OE: 7701 476 024	OE: 7701 476 025	OE: 7701 476 024
MAT. MB	MAT. MG	MAT. MB
45°	45°	H

AC5062 MLS AC5061 MLS, 1.320mm AC5070 Fibre Composite, 1.350mm, 2 Notches →(0.653) mm AC5080 Fibre Composite, 1.450mm, 1 Notch →(0.653)→(0.786) mm AC5090 Fibre Composite, 1.550mm, 3 Notches →(0.786) mm→	CC5060 [10]	HBS120 M12x1.50x118.00mm (x10) HBS372 M12x1.50x121.00mm (x10)	JD5189	JM5086 (Elastomer)	HR646	NF846 25.00x42.00x7.00mm FPM/ACM	

AC5061 [10] With gaskets/seals	AC5062 [10] Avec joints	AC5070, AC5080, AC5090 [10] Con guarnizioni [10] Con juntas		

543



80.00

Diesel



F9Q 716 4 Cyl. 18.3:1 1870cc 74kW (100)PS Turbo Intercooled TD16191 **1287**

LAGUNA 10/97→03/01

TB546 153x26 →10/00	TBK114 →10/00 Component No:TB546; AE1051TP;AE1136GP; AE1135GP	CAM753			
TB654 153x26 10/00→	TBK323 10/00→ Component No:TB654; AE1140GP;AE1099TP				

B x C x D	E x F x G
V94190	VAG96294B
35.40 x 7.00 x 111.00	38.30 x 7.00 x 12.06
V94191	
32.60 x 7.00 x 110.80	
OE	
MAT.	
45°	45°
H	H

AC5070 Fibre Composite, 1.350mm, 2 Notches ⊖(0.653) mm	CC5060 ▲ [10]		HBS120	JD5189	JM5086 (Elastomer)	HR646	NF846 25.00x42.00x7.00mm FPM/ACM
AC5080 Fibre Composite, 1.450mm, 1 Notch ⊖(0.653)→(0.786) mm							
AC5090 Fibre Composite, 1.550mm, 3 Notches ⊖(0.786) mm→							



AC5070, AC5080, AC5090

[10] With gaskets/seals

[10] Avec joints

[10] Con guarnizioni

[10] Con juntas

544



80.00

Diesel


F9Q 717

4 Cyl.

18.3:1

1870cc

72-75kW (98-102)PS
Turbo
TD21136
1288
LAGUNA

10/97 → 03/01

TB654 153x26	TBK323 Component No:TB654; AE1140GP;AE1099TP		KIT		

B x C x D	OE	MAT.
V94190	7701 476 024	
35.40 x 7.00 x 111.00		45°
V94191	7701 476 025	
32.60 x 7.00 x 110.80		45°
		VAG96294B
		38.30 x 7.00 x 12.06

AC5062 MLS	CC5060 ▲ [10]	HBS120	JD5189	JM5086 (Elastomer)	HR646	NF846 25.00x42.00x7.00mm FPM/ACM
AC5061 MLS, 1.320mm		M12x1.50x118.00mm (x10)				
AC5070 Fibre Composite, 1.350mm, 2 Notches ⊖→(0.653) mm		HBS372				
AC5080 Fibre Composite, 1.450mm, 1 Notch ⊖→(0.653)→(0.786) mm		M12x1.50x121.00mm (x10)				
AC5090 Fibre Composite, 1.550mm, 3 Notches ⊖→(0.786) mm→						



AC5061
[10] With gaskets/seals



AC5062
[10] Avec joints



AC5070, AC5080, AC5090
[10] Con guarnizioni [10] Con juntas

545



80.00

Diesel



F9Q 718	4 Cyl.	18.3:1	1870cc	72kW (98)PS	Turbo Intercooled	TD16192	1289
F9Q 754	4 Cyl.	19:1	1870cc	74-79kW (101-107)PS	Turbo	TD20841	1295
F9Q 760	4 Cyl.	19:1	1870cc	74kW (100)PS	Turbo Intercooled	TD16529	1286
F9Q 762	4 Cyl.	19:1	1870cc	60kW (81)PS	Turbo	TD18691	1295
F9Q 772	4 Cyl.	18.3:1	1870cc	60kW (81)PS	Turbo	TD16304	1297
F9Q 774	4 Cyl.	18.3:1	1870cc	60kW (82)PS	Turbo	TD19370	1288
F9Q 820	4 Cyl.	18.3:1	1870cc	88kW (120)PS	Turbo Intercooled	TD18287	1300

ESPACE	11/02→	LAGUNA	09/99→	MASTER	11/01→
TRAFIC II	03/01→				

TB653 132x26	TBK275 Component No:TB653;AE1141TP	CAM706			

B x C x D	E x F x G
V94190 35.40 x 7.00 x 111.00	VAG96294B 38.30 x 7.00 x 12.06
V94191 32.60 x 7.00 x 110.80	
OE: 7701 476 024 (MAT. MB), 7701 476 025 (MAT. MG)	45° H

AC5062 MLS AC5061 MLS, 1.320mm	CC5060 ▲ [10]	HBS372	JD5189	JM5086 (Elastomer)	HR646	NF846 25.00x42.00x7.00mm FPM/ACM	



AC5061
[10] With gaskets/seals

AC5062
[10] Avec joints

[10] Con guarnizioni

[10] Con juntas

546	80.00	Diesel					
F9Q 722	4 Cyl.	18.3:1	1870cc	72kW (98)PS	Turbo	TD16305	1290
ESPACE 02/99→10/02							

TB546 153x26 →10/00	TBK114 →10/00 Component No:TB546; AE1051TP;AE1136GP;				FOL180 (x8)
TB654 153x26 10/00→	AE1135GP TBK323 10/00→ Component No:TB654; AE1140GP;AE1099TP				

B x C x D	OE	MAT.	45°	H	E x F x G
V94190	7701 476 024		45°	H	VAG96294B
35.40 x 7.00 x 111.00		MB			38.30 x 7.00 x 12.06
V94191	7701 476 025		45°	H	
32.60 x 7.00 x 110.80		MG			

AC5070 Fibre Composite, 1.350mm, 2 Notches →(0.653) mm	CC5060 [10]	HBS120 M12x1.50x118.00mm (x10)	JD5189	JM5086 (Elastomer)	HR646	NF846 25.00x42.00x7.00mm FPM/ACM
AC5080 Fibre Composite, 1.450mm, 1 Notch →(0.653)→(0.786) mm						
AC5090 Fibre Composite, 1.550mm, 3 Notches →(0.786) mm→						



AC5070, AC5080, AC5090

[10] With gaskets/seals

[10] Avec joints

[10] Con guarnizioni

[10] Con juntas



F9Q 730 4 Cyl. 18.3:1 1870cc 72kW (98)PS Turbo Intercooled TD11427 1291

MEGANE 03/97→02/01

TB546 153x26 →09/00	TBK114 →09/00 Component No:TB546; AE1051TP;AE1136GP;	CAM753			
TB654 153x26 10/00→	AE1135GP TBK323 10/00→ Component No:TB654; AE1140GP;AE1099TP				

B x C x D	OE	MAT.	45°	H	E x F x G
V94190	7701 476 024		45°	H	VAG96294B
35.40 x 7.00 x 111.00		MB			38.30 x 7.00 x 12.06
V94191	7701 476 025		45°	H	
32.60 x 7.00 x 110.80		MG			

AC5070 Fibre Composite, 1.350mm, 2 Notches ⊖→(0.653) mm	CC5060 ▲ [10]		HBS120 M12x1.50x118.00mm (x10)	JD5189	JM5086 (Elastomer)	HR646	NF846 25.00x42.00x7.00mm FPM/ACM
AC5080 Fibre Composite, 1.450mm, 1 Notch ⊖(0.653)→(0.786) mm							
AC5090 Fibre Composite, 1.550mm, 3 Notches ⊖(0.786) mm→							



AC5070, AC5080, AC5090

[10] With gaskets/seals

[10] Avec joints

[10] Con guarnizioni

[10] Con juntas

548	80.00	Diesel							
F9Q 731	4 Cyl.	18.3:1	1870cc	72kW (98)PS	Turbo			TD16353	1287
MEGANE	03/97→02/01	SCÉNIC		09/99→08/03					

TB654					
153x26					

B x C x D	OE	MAT.	45°	H	E x F x G
V94190	7701 476 024		45°	H	VAG96294B
35.40 x 7.00 x 111.00		MB			38.30 x 7.00 x 12.06
V94191	7701 476 025		45°	H	
32.60 x 7.00 x 110.80		MG			

AC5062 MLS	CC5060 ▲ [10]	HBS120	JD5189	JM5086 (Elastomer)	HR646	NF846 25.00x42.00x7.00mm FPM/ACM
AC5061 MLS, 1.320mm		M12x1.50x118.00mm (x10)				
AC5070 Fibre Composite, 1.350mm, 2 Notches		HBS372				
		M12x1.50x121.00mm (x10)				
AC5080 Fibre Composite, 1.450mm, 1 Notch						
AC5090 Fibre Composite, 1.550mm, 3 Notches						

AC5061	AC5062	AC5070, AC5080, AC5090		
[10] With gaskets/seals	[10] Avec joints	[10] Con guarnizioni	[10] Con juntas	

549

80.00
Diesel


F9Q 732	4 Cyl.	18.3:1	1870cc	72kW (98)PS	Turbo Intercooled	TD16347	1286
F9Q 733	4 Cyl.	19:1	1870cc	79-88kW (107-120)PS	Turbo	TD16363	1288
F9Q 750	4 Cyl.	19:1	1870cc	55-88kW (75-120)PS	Turbo Intercooled	TD17028	1284

LAGUNA	03/01→	MEGANE	03/99→08/03	SCÉNIC	09/99→08/03
---------------	--------	---------------	-------------	---------------	-------------

TB546 153x26	TBK114 Component No:TB546; AE1051TP;AE1136GP; AE1135GP	CAM706			

V94190 ■ 35.40 x 7.00 x 111.00	7701 476 024		45°	H	VAG96294B ■ ■ ■ 38.30 x 7.00 x 12.06
V94191 ■ 32.60 x 7.00 x 110.80	7701 476 025		45°	H	

AC5062 MLS AC5061 MLS, 1.320mm	CC5060 ▲ [10]	HBS372 ⊕ M12x1.50x121.00mm (x10)	JD5189	JM5086 (Elastomer)	HR646 ■	NF846 25.00x42.00x7.00mm FPM/ACM

--	--	--	--	--	--	--	--

AC5061 [10] With gaskets/seals	AC5062 [10] Avec joints	CC5060 ▲ [10] [10] Con guarnizioni	HBS372 ⊕ [10] Con juntas	JD5189	JM5086 (Elastomer)	HR646 ■	NF846 25.00x42.00x7.00mm FPM/ACM
--	-----------------------------------	--	------------------------------------	---------------	------------------------------	----------------	--

--	--	--	--	--	--	--	--

AC5061 [10] With gaskets/seals	AC5062 [10] Avec joints	CC5060 ▲ [10] [10] Con guarnizioni	HBS372 ⊕ [10] Con juntas	JD5189	JM5086 (Elastomer)	HR646 ■	NF846 25.00x42.00x7.00mm FPM/ACM
--	-----------------------------------	--	------------------------------------	---------------	------------------------------	----------------	--

550	80.00	Diesel					
F9Q 734	4 Cyl.	18.3:1	1870cc	72kW (98)PS	Turbo Intercooled	TD11428	1286
MEGANE	03/97→02/01	SCÉNIC	09/99→08/03				

TB546 153x26	TBK114 Component No:TB546; AE1051TP;AE1136GP; AE1135GP	CAM753	KIT		

V94190 ■ 35.40 x 7.00 x 111.00	V94191 ■ 32.60 x 7.00 x 110.80	MAT. MB MG	45°	H	VAG96294B ■ ■ 38.30 x 7.00 x 12.06
B x C x D	OE				E x F x G

AC5070 Fibre Composite, 1.350mm, 2 Notches →(0.653) mm	CC5060 ▲ [10]	HBS120 ⊕ M12x1.50x118.00mm (x10)	JD5189	JM5086 (Elastomer)	HR646 ■	NF846 25.00x42.00x7.00mm FPM/ACM
AC5080 Fibre Composite, 1.450mm, 1 Notch →(0.653)→(0.786) mm						
AC5090 Fibre Composite, 1.550mm, 3 Notches →(0.786) mm→						



AC5070, AC5080, AC5090

[10] With gaskets/seals [10] Avec joints [10] Con guarnizioni [10] Con juntas



F9Q 736 4 Cyl. 18.3:1 1870cc 72kW (98)PS Turbo TD16354 1288

MEGANE 03/97→02/01 SCÉNIC 09/99→08/03

TB546 153x26 →09/00	TBK114 →09/00 Component No:TB546; AE1051TP;AE1136GP; AE1135GP	CAM706			
TB654 153x26 10/00→	TBK323 10/00→ Component No:TB654; AE1140GP;AE1099TP				

B x C x D	E x F x G
V94190	VAG96294B
35.40 x 7.00 x 111.00	38.30 x 7.00 x 12.06
V94191	
32.60 x 7.00 x 110.80	
OE	
MAT.	
45°	45°
H	H

AC5070 Fibre Composite, 1.350mm, 2 Notches ⊖(0.653) mm	CC5060		HBS120	JD5189	JM5086 (Elastomer)	HR646	NF846 25.00x42.00x7.00mm FPM/ACM
AC5080 Fibre Composite, 1.450mm, 1 Notch ⊖(0.653)→(0.786) mm							
AC5090 Fibre Composite, 1.550mm, 3 Notches ⊖(0.786) mm→							



AC5070, AC5080, AC5090

[10] With gaskets/seals

[10] Avec joints

[10] Con guarnizioni

[10] Con juntas

552	80.00	Diesel					
F9Q 738	4 Cyl.	19:1	1870cc	74-79kW (101-107)PS	Turbo	TD21137	1288
MEGANE 03/99→08/03							

			KIT		
TB546 153x26	TBK114 Component No:TB546; AE1051TP;AE1136GP; AE1135GP				

B x C x D	E x F x G
V94190 35.40 x 7.00 x 111.00	VAG96294B 38.30 x 7.00 x 12.06
V94191 32.60 x 7.00 x 110.80	

AC5062 MLS AC5061 MLS, 1.320mm AC5070 Fibre Composite, 1.350mm, 2 Notches →(0.653) mm AC5080 Fibre Composite, 1.450mm, 1 Notch →(0.653)→(0.786) mm AC5090 Fibre Composite, 1.550mm, 3 Notches →(0.786) mm→	CC5060 ▲ [10]	HBS120 M12x1.50x118.00mm (x10) HBS372 M12x1.50x121.00mm (x10)		JD5189	JM5086 (Elastomer)	HR646	NF846 25.00x42.00x7.00mm FPM/ACM



AC5061
[10] With gaskets/seals



AC5062
[10] Avec joints



AC5070, AC5080, AC5090
[10] Con guarnizioni [10] Con juntas

553



80.00

Diesel



F9Q 740 4 Cyl. 18.3:1 1870cc 72kW (98)PS Turbo Intercooled TD16341 1289

SCÉNIC 11/00→08/03

TB546 153x26	TBK114 Component No:TB546; AE1051TP;AE1136GP; AE1135GP		KIT		

V94190 ■ 35.40 x 7.00 x 111.00	V94191 ■ 32.60 x 7.00 x 110.80	VAG96294B ■ ■ 38.30 x 7.00 x 12.06
OE: 7701 476 024	OE: 7701 476 025	
MAT. MB	MAT. MG	
45°	45°	
H	H	

AC5062 MLS AC5061 MLS, 1.320mm	CC5060 ▲ [10]	HBS372 ⊕ M12x1.50x121.00mm (x10)	JD5189	JM5086 (Elastomer)	HR646 ■	NF846 25.00x42.00x7.00mm FPM/ACM











AC5061
[10] With gaskets/seals

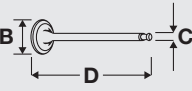




AC5062
[10] Avec joints










[10] Con guarnizioni

[10] Con juntas

554	 80.00	Diesel					
F9Q 744	4 Cyl.	19:1	1870cc	59kW (80)PS	Turbo	TD16361	1292
F9Q 780	4 Cyl.	18.3:1	1870cc	72kW (98)PS	Turbo Intercooled	TD16339	1289
CLIO	12/99 → 05/05	KANGOO	02/00 →	MEGANE	02/01 → 08/03		
SCÉNIC	02/01 → 08/03						



					
TB654		CAM706			
153x26					







	
B x C x D	E x F x G
V94190 	VAG96294B 
35.40 x 7.00 x 111.00	38.30 x 7.00 x 12.06
V94191 	
32.60 x 7.00 x 110.80	








						
AC5070 Fibre Composite, 1.350mm, 2 Notches →(0.653) mm	CC5060 ▲ [10]	HBS120  M12x1.50x118.00mm (x10)	JD5189	JM5086 (Elastomer)	HR646 	NF846 25.00x42.00x7.00mm FPM/ACM
AC5080 Fibre Composite, 1.450mm, 1 Notch →(0.653) →(0.786) mm						
AC5090 Fibre Composite, 1.550mm, 3 Notches →(0.786) mm →						



AC5070, AC5080, AC5090
 [10] With gaskets/seals [10] Avec joints [10] Con guarnizioni [10] Con juntas

555	 80.00	Diesel					
F9Q 748	4 Cyl.	19:1	1870cc	75-79kW (102-107)PS	Turbo	TD21138	1293
SCÉNIC	12/02 → 08/03						

					
		CAM706			

					
AC5062 MLS	CC5060 ▲ [10]	HBS372  M12x1.50x121.00mm (x10)	JD5189	JM5086 (Elastomer)	NF846 25.00x42.00x7.00mm FPM/ACM
AC5061 MLS, 1.320mm					



AC5061 **AC5062**
 [10] With gaskets/seals [10] Avec joints [10] Con guarnizioni [10] Con juntas

RENAULT/DACIA

556



80.00

Diesel



F9Q 752 4 Cyl. 19:1 1870cc 74kW (101)PS Turbo TD21139 1295

LAGUNA 06/01 →

TB653 132x26	TBK275 Component No:TB653;AE1141TP	CAM706			

AC5062 MLS AC5061 MLS, 1.320mm	CC5060 ▲ [10]		HBS372 ☉ M12x1.50x121.00mm (x10)	JD5189	JM5086 (Elastomer)	HR646 ☒	NF846 25.00x42.00x7.00mm FPM/ACM

AC5061 [10] With gaskets/seals	AC5062 [10] Avec joints	[10] Con guarnizioni	[10] Con juntas

557



80.00

Diesel



F9Q 756 4 Cyl. 19:1 1870cc 88kW (120)PS Turbo Intercooled TD17064 1296

B x C x D	E x F x G
V94190 ☐ 35.40 x 7.00 x 111.00	VAG96294B ☐ ☒ 38.30 x 7.00 x 12.06
V94191 ☒ 32.60 x 7.00 x 110.80	
OE	
MAT.	
MB	
MG	
45°	
H	
45°	
H	

AC5061 MLS, 1.320mm	CC5060 ▲ [10]		HBS372 ☉ M12x1.50x121.00mm (x10)	JD5189	JM5086 (Elastomer)		NF846 25.00x42.00x7.00mm FPM/ACM

AC5061 [10] With gaskets/seals	[10] Avec joints	[10] Con guarnizioni	[10] Con juntas

558	80.00	Diesel					
F9Q 770	4 Cyl.	18.3:1	1870cc	59kW (80)PS	Turbo	TD15688	1292
MASTER 09/00 →							

TB653 132x26	TBK275 Component No:TB653;AE1141TP	CAM706			

V94190 ■ 35.40 x 7.00 x 111.00	7701 476 024		45°	H	VAG96294B ■ ■ 38.30 x 7.00 x 12.06
V94191 ■ 32.60 x 7.00 x 110.80	7701 476 025		45°	H	

AC5070 Fibre Composite, 1.350mm, 2 Notches →(0.653) mm	CC5060 ▲ [10]	HBS120 ⊕ M12x1.50x118.00mm (x10)	JD5189	JM5086 (Elastomer)	HR646 ■	NF846 25.00x42.00x7.00mm FPM/ACM
AC5080 Fibre Composite, 1.450mm, 1 Notch →(0.653) →(0.786) mm						
AC5090 Fibre Composite, 1.550mm, 3 Notches →(0.786) mm →						



AC5070, AC5080, AC5090

[10] With gaskets/seals [10] Avec joints [10] Con guarnizioni [10] Con juntas

559



80.00

Diesel



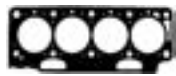
F9Q 782	4 Cyl.	18.3:1	1870cc	59kW (80)PS	Turbo Intercooled	TD17498	1289
F9Q 790	4 Cyl.	19:1	1870cc	59kW (80)PS	Turbo	TD16358	1295

KANGOO 10/01→

TB546 153x26	TBK114 Component No:TB546; AE1051TP;AE1136GP; AE1135GP	CAM706	KIT		



V94190 ■ 35.40 x 7.00 x 111.00	7701 476 024	MAT. MB	45°	H	VAG96294B ■ ■ 38.30 x 7.00 x 12.06
V94191 ■ 32.60 x 7.00 x 110.80	7701 476 025	MG	45°	H	



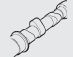



AC5070 Fibre Composite, 1.350mm, 2 Notches →(0.653) mm	CC5060 ▲ [10]	HBS120 ⊕ M12x1.50x118.00mm (x10)	JD5189	JM5086 (Elastomer)	HR646 ■	NF846 25.00x42.00x7.00mm FPM/ACM
AC5080 Fibre Composite, 1.450mm, 1 Notch →(0.653)→(0.786) mm						
AC5090 Fibre Composite, 1.550mm, 3 Notches →(0.786) mm→						

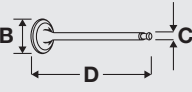


















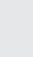



AC5070, AC5080, AC5090



[10] With gaskets/seals [10] Avec joints [10] Con guarnizioni [10] Con juntas



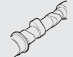



560	 80.00	Diesel					
F9Q 800	4 Cyl.	18.3:1	1870cc	55-88kW (75-120)PS	Turbo Intercooled	TD16535	1284
F9Q 808	4 Cyl.	18.3:1	1870cc	66-75kW (90-102)PS	Turbo	TD21147	1296
MEGANE		11/02→					

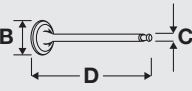

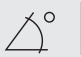







					
TB756 133x26	TBK322 Component No:TB756;AE1183TP	CAM706			








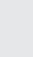



				
B x C x D	OE	MAT.	45°	H
V94190 	7701 476 024		45°	H
35.40 x 7.00 x 111.00		MB		
V94191 	7701 476 025		45°	H
32.60 x 7.00 x 110.80		MG		
				VAG96294B 
				38.30 x 7.00 x 12.06

						
AC5062 MLS AC5061 MLS, 1.320mm	CC5060 ▲ [10]	HBS372  M12x1.50x121.00mm (x10)	JD5189	JM5086 (Elastomer)	HR646 	NF846 25.00x42.00x7.00mm FPM/ACM
						
AC5061 [10] With gaskets/seals	AC5062 [10] Avec joints	[10] Con guarnizioni	[10] Con juntas			

561	 80.00	Diesel					
F9Q 803	4 Cyl.	17:1	1870cc	96kW (131)PS	Turbo Intercooled	TD20973	1287
MEGANE		05/05→					

					
TB756 133x26	TBK322 Component No:TB756;AE1183TP				

				
B x C x D	OE	MAT.	45°	H
V94190 	7701 476 024		45°	H
35.40 x 7.00 x 111.00		MB		
V94191 	7701 476 025		45°	H
32.60 x 7.00 x 110.80		MG		
				VAG96294B 
				38.30 x 7.00 x 12.06

						
AC5062 MLS AC5061 MLS, 1.320mm		HBS372  M12x1.50x121.00mm (x10)	JD5890 MLS	JM5086 (Elastomer)	HR646 	NF846 25.00x42.00x7.00mm FPM/ACM
						
AC5061	AC5062					

RENAULT/DACIA

562



80.00

Diesel



F9Q 804 4 Cyl. 18.3:1 1870cc **81kW (110)PS** **Turbo** **TD20391** **1298**

MEGANE 11/02→ **SCÉNIC** 06/03→

TB756 133x26	TBK322 Component No:TB756;AE1183TP	CAM706			

<p>V94190 </p> <p>35.40 x 7.00 x 111.00</p> <p>V94191 </p> <p>32.60 x 7.00 x 110.80</p>	<p>VAG96294B </p> <p>38.30 x 7.00 x 12.06</p>

AC5062 MLS AC5061 MLS, 1.320mm		HBS372 M12x1.50x121.00mm (x10)	JD5890 MLS	JM5086 (Elastomer)	HR646	NF846 25.00x42.00x7.00mm FPM/ACM
AC5061	AC5062					

563



80.00

Diesel



F9Q 812 4 Cyl. 18.3:1 1870cc **88kW (120)PS** **Turbo Intercooled** **TD20392** **1299**

GRAND SCÉNIC 04/04→ **SCÉNIC** 06/03→

TB756 133x26	TBK322 Component No:TB756;AE1183TP	CAM706			

<p>V94190 </p> <p>35.40 x 7.00 x 111.00</p> <p>V94191 </p> <p>32.60 x 7.00 x 110.80</p>	<p>VAG96294B </p> <p>38.30 x 7.00 x 12.06</p>

AC5062 MLS AC5061 MLS, 1.320mm	CC5060 [10]	HBS372 M12x1.50x121.00mm (x10)	JD5189 JD5890 MLS JE5061 MLS JE5062 MLS	JM5086 (Elastomer)	HR646	NF846 25.00x42.00x7.00mm FPM/ACM

AC5061	AC5062					
[10] With gaskets/seals	[10] Avec joints	[10] Con guarnizioni	[10] Con juntas			

564	80.00	Diesel					
F9Q 816	4 Cyl.	18.3:1	1870cc	81-96kW (110-131)PS	Turbo Intercooled	TD22184	1299
F9Q 818	4 Cyl.	18.3:1	1870cc	81-96kW (110-131)PS	Turbo Intercooled	TD22185	1299
F9Q E 804 Euro 4	4 Cyl.	17:1	1870cc	96-81kW (131-110)PS	Turbo	TD19683	1302
F9Q J 803	4 Cyl.	17:1	1870cc	96-85kW (131-116)PS	Turbo	TD19694	1302

GRAND SCÉNIC	05/05→	MEGANE	11/02→	SCÉNIC	05/05→
---------------------	--------	---------------	--------	---------------	--------

TB756 133x26	TBK322 Component No:TB756;AE1183TP				

V94190 35.40 x 7.00 x 111.00	VAG96294B 38.30 x 7.00 x 12.06
V94191 32.60 x 7.00 x 110.80	
OE: 7701 476 024 (MB), 7701 476 025 (MG)	MAT. 45° H

--	--	--	--	--	--	--	--

AC5062 MLS AC5061 MLS, 1.320mm	CC5060 ▲ [10]	HBS372 M12x1.50x121.00mm (x10)	JD5189 JD5890 MLS JE5061 MLS JE5062 MLS	JM5086 (Elastomer)	HR646	NF846 25.00x42.00x7.00mm FPM/ACM
---	----------------------	--	---	------------------------------	--------------	--

AC5061 [10] With gaskets/seals	AC5062 [10] Avec joints	[10] Con guarnizioni	[10] Con juntas			

565	80.00	Diesel					
F9Q 870	4 Cyl.	16.6:1	1870cc	96kW (131)PS	Turbo Intercooled	TD23617	1301
F9Q 872	4 Cyl.	16.6:1	1870cc	96kW (131)PS	Turbo Intercooled	TD23555	1301

GRAND SCÉNIC	02/09→	MEGANE	11/08→	MEGANE CC	06/10→
SCÉNIC	02/09→				

TB756 133x26					

RENAULT/DACIA

566



80.00

Diesel



F9Q EE 804 Euro 4

4 Cyl.

17:1

1870cc

96-81kW (131-110)PS

Turbo

TD19696

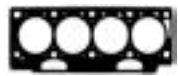
1302

GRAND SCÉNIC

05/05 →

TB756 133x26	TBK322 Component No:TB756;AE1183TP		KIT		

AC5062 MLS AC5061 MLS, 1.320mm	CC5060 ▲ [10]		HBS372 ☉ M12x1.50x121.00mm (x10)	JD5189 JD5890 MLS ☉ JE5061 MLS ☉ JE5062 MLS	JM5086 (Elastomer)	HR646 ☒	NF846 25.00x42.00x7.00mm FPM/ACM



AC5061
[10] With gaskets/seals

AC5062
[10] Avec joints

[10] Con guarnizioni

[10] Con juntas

567



81.00

Petrol



F1N 720

4 Cyl.

9.5:1

1721cc

50kW (68)PS

TD3216

1304

TRAFIC

08/92 → 08/94

TB256 125x19	TBK017 Component No:TB256; AE1051TP;AE1052GP		KIT		

V91268 ☐ 38.10 x 8.00 x 111.50	V91319 ☐ 32.50 x 8.00 x 111.50
OE: 7701 463 081	OE: 7701 463 082
MAT. MB	MAT. MD cr
30°	45°
H	

BL910 Fibre Composite, 1.200mm	DL910 [10]		HBS244 ☉ M12x1.50x111.00mm (x10)	JD409	JN732	HR569 ☒	NF847 22.00x45.00x7.00mm FPM/ACM NF846 ☒ 25.00x42.00x7.00mm FPM/ACM



BL910
[10] With gaskets/seals

[10] Avec joints

[10] Con guarnizioni

[10] Con juntas



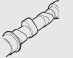



568

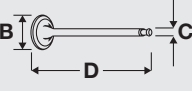
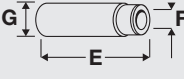


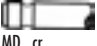
 **81.00**












Petrol



FIN 722	4 Cyl.	9.5:1	1721cc	50kW (68)PS	TD3217	1304
FIN 724	4 Cyl.	9.5:1	1721cc	50kW (68)PS	TD3218	1304
TRAFIC 06/86→08/94						

					
TB195 124x19 →12/87	TBK051 →12/87 Component No:TB195; AE1057TP;AE1056GP				
TB256 125x19 01/88→	TBK017 01/88→ Component No:TB256; AE1051TP;AE1052GP				

	
B x C x D	E x F x G
OE	
MAT.	
	
30°	
	
45°	

							
BL910 Fibre Composite, 1.200mm	DL910 [10]	HBS244  M12x1.50x111.00mm (x10)	JD409	JN732	HR569 	NF847 22.00x45.00x7.00mm FPM/ACM	NF846  25.00x42.00x7.00mm FPM/ACM



BL910
[10] With gaskets/seals [10] Avec joints [10] Con guarnizioni [10] Con juntas

569



81.00

Petrol



F2N 700	4 Cyl.	10:1	1721cc	59kW (80)PS	TD3219	1305
F2N 704	4 Cyl.	10:1	1721cc	59kW (80)PS	TD3220	1305
9	09/84→12/88	11	10/83→12/87			



TB195 124x19	TBK051 Component No:TB195; AE1057TP;AE1056GP		KIT		

V91268 ■ 38.10 x 8.00 x 111.50	V91319 ■ 32.50 x 8.00 x 111.50	MAT. MB MD cr	30° 45°	H	E x F x G
OE: 7701 463 081	OE: 7701 463 082				







BL910 Fibre Composite, 1.200mm	DL910 [10]	HBS244 ⊕ M12x1.50x111.00mm (x10)	JD409	JN732	HR569 ■	NF846 25.00x42.00x7.00mm FPM/ACM NF847 22.00x45.00x7.00mm FPM/ACM

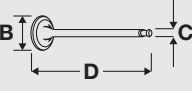








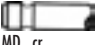












BL910
[10] With gaskets/seals [10] Avec joints [10] Con guarnizioni [10] Con juntas

570	 81.00	Petrol			
F2N 708	4 Cyl.	10:1	1721cc	65kW (88)PS	TD3221 1306
F2N 730	4 Cyl.	9.2:1	1721cc	54-55kW (73-75)PS	TD3234 1307
F2N 732	4 Cyl.	9.5:1	1721cc	64kW (87)PS	TD3235 1305
F2N 740	4 Cyl.	10:1	1721cc	64-66kW (87-90)PS	TD3236 1306
F2N 742	4 Cyl.	10:1	1721cc	64-66kW (87-90)PS	TD4861 1306
F2N 798	4 Cyl.	9.5:1	1721cc	65kW (88)PS	TD3247 1305
F3N 702	4 Cyl.	10:1	1721cc	68-69kW (92-94)PS	TD3249 1309
F3N 716	4 Cyl.	10:1	1721cc	54-55kW (73-75)PS	TD3251 1309
F3N 717	4 Cyl.	10:1	1721cc	54-55kW (73-75)PS	TD3252 1309
F3N 718	4 Cyl.	10:1	1721cc	54-55kW (73-75)PS	TD4863 1309
F3N 722	4 Cyl.	10:1	1721cc	66-70kW (90-95)PS	TD3254 1309
F3N 723	4 Cyl.	10:1	1721cc	66-70kW (90-95)PS	TD3255 1309

9	10/86→12/88	11	10/84→12/88	21	03/86→06/94
SUPER 5	10/86→03/95				

					
TB195 124x19 →12/87 TB256 125x19 01/88→	TBK051 →12/87 Component No:TB195; AE1057TP;AE1056GP TBK017 01/88→ Component No:TB256; AE1051TP;AE1052GP		KIT		

	OE					
B x C x D		MAT.				E x F x G
V91268  38.10 x 8.00 x 111.50	7701 463 081		30°		H	
V91319  32.50 x 8.00 x 111.50	7701 463 082		45°			

							
BL910 Fibre Composite, 1.200mm	DL910 [10]		HBS244  M12x1.50x111.00mm (x10)	JD409	JN732	HR569 	NF846 25.00x42.00x7.00mm FPM/ACM NF847 22.00x45.00x7.00mm FPM/ACM



BL910 [10] With gaskets/seals	[10] Avec joints	[10] Con guarnizioni	[10] Con juntas
---	------------------	----------------------	-----------------

RENAULT/DACIA

571



81.00

Petrol



F2N 710	4 Cyl.	10:1	1721cc	65kW (88)PS	TD3222	1306
F2N 712	4 Cyl.	9.2:1	1721cc	55kW (75)PS	TD3224	1306
F2N 750	4 Cyl.	9.2:1	1721cc	54kW (73)PS	TD3238	1306
F2N 752	4 Cyl.	10:1	1721cc	64kW (87)PS	TD3239	1306
F3N 726	4 Cyl.	10:1	1721cc	54kW (73)PS	TD3256	1309

9	10/86→12/88	11	10/86→12/88	21	03/86→04/95
----------	-------------	-----------	-------------	-----------	-------------



TB195 124x19 →12/87 TB256 125x19 01/88→	TBK051 →12/87 Component No:TB195; AE1057TP;AE1056GP TBK017 01/88→ Component No:TB256; AE1051TP;AE1052GP		KIT		

B x C x D	E x F x G
V91268 ■ 38.10 x 8.00 x 111.50	V91319 ■ 32.50 x 8.00 x 111.50
OE 7701 463 081	OE 7701 463 082
MAT. MB	MAT. MD cr
30°	45°
H	

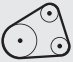

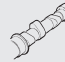



BL910 Fibre Composite, 1.200mm	DL910 [10]	HBS244 ⊕ M12x1.50x111.00mm (x10)	JD409	JN732	HR569 ■	NF847 22.00x45.00x7.00mm FPM/ACM NF846 ■ 25.00x42.00x7.00mm FPM/ACM

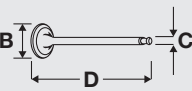
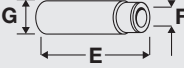


















BL910
[10] With gaskets/seals [10] Avec joints [10] Con guarnizioni [10] Con juntas

572	 81.00	Petrol				
F2N 711	4 Cyl.	10:1	1721cc	65kW (88)PS	TD3223	1305
F2N 720	4 Cyl.	9.5:1	1721cc	65-68kW (88-92)PS	TD4862	1306
F2N 721	4 Cyl.	9.5:1	1721cc	68kW (92)PS	TD3228	1306
F2N 724	4 Cyl.	9.5:1	1721cc	55-56kW (75-76)PS	TD3230	1305
F2N 754	4 Cyl.	9.5:1	1721cc	65kW (88)PS	TD3240	1305
F2N 770	4 Cyl.	9.5:1	1721cc	66-68kW (90-92)PS	TD3242	1306
F3N 740	4 Cyl.	10:1	1721cc	54-55kW (73-75)PS	TD3257	1309
F3N 741	4 Cyl.	10:1	1721cc	54-55kW (73-75)PS	TD3258	1309
F3N 742	4 Cyl.	10:1	1721cc	66-70kW (90-95)PS	TD3259	1309
F3N 743	4 Cyl.	10:1	1721cc	66kW (89)PS	TD3260	1309
F3N 746	4 Cyl.	10:1	1721cc	66-80kW (90-109)PS	TD3261	1310

19	07/88→12/95	21	07/89→05/93	CLIO	01/91→12/93
-----------	-------------	-----------	-------------	-------------	-------------

					
TB256 125x19	TBK017 Component No:TB256; AE1051TP;AE1052GP		KIT		

					
B x C x D	OE	MAT.		H	E x F x G
V91268 	7701 463 081		30°		
38.10 x 8.00 x 111.50		MB			
V91319 	7701 463 082		45°		
32.50 x 8.00 x 111.50		MD cr			

						
BL910 Fibre Composite, 1.200mm	DL910 [10]	HBS244  M12x1.50x111.00mm (x10)	JD409	JN732	HR569 	NF846 25.00x42.00x7.00mm FPM/ACM NF847 22.00x45.00x7.00mm FPM/ACM



BL910
 [10] With gaskets/seals [10] Avec joints [10] Con guarnizioni [10] Con juntas

573



81.00

Petrol



F2N 716	4 Cyl.	9.2:1	1721cc	56kW (76)PS	TD3226	1305
F2N 722	4 Cyl.	9.5:1	1721cc	66-69kW (90-94)PS	TD3229	1305
F2N 727	4 Cyl.	9.5:1	1721cc	68kW (92)PS	TD3232	1306
F2N 728	4 Cyl.	9.2:1	1721cc	55kW (75)PS	TD3233	1306
F2N 758	4 Cyl.	9.5:1	1721cc	56-66kW (76-90)PS	TD3241	1305
F2N 783	4 Cyl.	9.5:1	1721cc	65kW (88)PS	TD3243	1305
F2N 786	4 Cyl.	9.2:1	1721cc	59kW (80)PS	TD3244	1305

<p>B x C x D</p>	OE	MAT.			<p>E x F x G</p>
V91268 <p>38.10 x 8.00 x 111.50</p>	7701 463 081		30°	H	
V91319 <p>32.50 x 8.00 x 111.50</p>	7701 463 082		45°		

BL910 Fibre Composite, 1.200mm	DL910 [10]		HBS244 <p>M12x1.50x111.00mm (x10)</p>	JD409	JN732	HR569	NF846 <p>25.00x42.00x7.00mm FPM/ACM</p> NF847 <p>22.00x45.00x7.00mm FPM/ACM</p>



BL910

[10] With gaskets/seals [10] Avec joints [10] Con guarnizioni [10] Con juntas

574



81.00

Petrol



F2N 726	4 Cyl.	9.5:1	1721cc	68kW (92)PS	TD3231	1306
---------	--------	-------	--------	-------------	--------	------

							FOL106
--	--	--	--	--	--	--	--------



<p>B x C x D</p>	OE	MAT.			<p>E x F x G</p>
V91268 <p>38.10 x 8.00 x 111.50</p>	7701 463 081		30°	H	
V91319 <p>32.50 x 8.00 x 111.50</p>	7701 463 082		45°		











BL910 Fibre Composite, 1.200mm	DL910 [10]		HBS244 <p>M12x1.50x111.00mm (x10)</p>	JD409	JN732	HR569	NF846 <p>25.00x42.00x7.00mm FPM/ACM</p> NF847 <p>22.00x45.00x7.00mm FPM/ACM</p>



BL910



[10] With gaskets/seals [10] Avec joints [10] Con guarnizioni [10] Con juntas









575	 81.00	Petrol				
F2N 753	4 Cyl.	10:1	1721cc	60-66kW (82-90)PS	TD22362	1305
F2N 796	4 Cyl.	10:1	1721cc	59kW (80)PS	TD3245	1305
F2N 797	4 Cyl.	10:1	1721cc	59kW (80)PS	TD3246	1305



							
BL910 Fibre Composite, 1.200mm	DL910 [10]		HBS244  M12x1.50x111.00mm (x10)	JD409	JN732	HR569 	NF846 25.00x42.00x7.00mm FPM/ACM NF847 22.00x45.00x7.00mm FPM/ACM



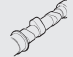















BL910
 [10] With gaskets/seals [10] Avec joints [10] Con guarnizioni [10] Con juntas

576	 81.00	Petrol				
F2R 702	4 Cyl.		1721cc	66kW (89)PS	TD3248	1308

							
					JN732		NF847 22.00x45.00x7.00mm FPM/ACM

577	 81.00	Petrol				
F3N 708	4 Cyl.	9.5:1	1721cc	69kW (93)PS	TD3250	1310
9	06/87→12/88		11	06/87→12/88		

					
TB195 124x19 →12/87 TB256 125x19 01/88→	TBK051 →12/87 Component No:TB195; AE1057TP;AE1056GP TBK017 01/88→ Component No:TB256; AE1051TP;AE1052GP		KIT		

							
BL910 Fibre Composite, 1.200mm	DL910 [10]		HBS244  M12x1.50x111.00mm (x10)	JD409	JN732	HR569 	NF846 25.00x42.00x7.00mm FPM/ACM NF847 22.00x45.00x7.00mm FPM/ACM



BL910
 [10] With gaskets/seals [10] Avec joints [10] Con guarnizioni [10] Con juntas

RENAULT/DACIA

578



82.00

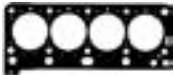
Petrol



F7P 700	4 Cyl.	10:1	1764cc	101kW (137)PS	TD3277	1312
F7P 720	4 Cyl.	10:1	1764cc	101kW (137)PS	TD3279	1312
19	06/89 → 08/90					

<p>B x C x D</p>	OE	MAT.	<p>45°</p>	<p>H</p>	<p>E x F x G</p>
V91848 30.70 x 7.00 x 107.50 V91402 28.60 x 7.00 x 109.00 V94066 28.60 x 7.00 x 108.75	7701 465 172 7700 747 324	 MB MD MD cr	45° 45° 45°		VAG96163B 39.00 x 7.02 x 12.08

BX610 Fibre Composite	DX610 [10]		HBS244 M12x1.50x111.00mm (x10)	JD411 JD410	JN996	HR646	NF846 25.00x42.00x7.00mm FPM/ACM NF851 25.00x40.00x7.00mm FPM/ACM



BX610
 [10] With gaskets/seals [10] Avec joints [10] Con guarnizioni [10] Con juntas

579



82.00

Petrol











F7P 702	4 Cyl.		1764cc	104kW (141)PS	TD27307	1313
----------------	--------	--	--------	----------------------	----------------	-------------

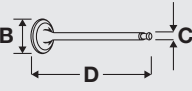
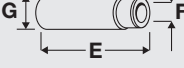


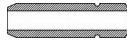



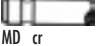
BX610 Fibre Composite	DX610 [10]		HBS244 M12x1.50x111.00mm (x10)	JD411 JD410	JN996	HR646	NF846 25.00x42.00x7.00mm FPM/ACM NF851 25.00x40.00x7.00mm FPM/ACM















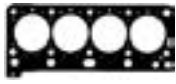
BX610
 [10] With gaskets/seals [10] Avec joints [10] Con guarnizioni [10] Con juntas

580	 82.00	Petrol				
F7P 704	4 Cyl.	10:1	1764cc	101kW (137)PS	TD3278	1312
F7P 722	4 Cyl.	10:1	1764cc	101kW (137)PS	TD3280	1314
19	06/89→06/96	CLIO	01/91→03/96			

					
TB423					
148x25.4					

					
B x C x D	OE	MAT.	45°	H	E x F x G
V91848 	7701 465 172		45°	H	VAG96163B 
30.70 x 7.00 x 107.50		MB			39.00 x 7.02 x 12.08
V91402 	7700 747 324		45°		
28.60 x 7.00 x 109.00		MD			
V94066 			45°		
28.60 x 7.00 x 108.75		MD cr			

							
BX610 Fibre Composite	DX610 [10]		HBS244  M12x1.50x111.00mm (x10)	JD411  JD410 	JN996	HR646 	NF846 25.00x42.00x7.00mm FPM/ACM NF851 25.00x40.00x7.00mm FPM/ACM



BX610
 [10] With gaskets/seals [10] Avec joints [10] Con guarnizioni [10] Con juntas

581



82.70

Petrol



F3P 670

4 Cyl.

9.7:1

1783cc

66kW (89)PS

TD5541

1315

LAGUNA

08/95→03/01

TB256 125x19	TBK017 Component No:TB256; AE1051TP;AE1052GP				FOL180 (x8) FOL149 (x8) [1]
[1] Mechanical	[1] Mécanique	[1] Meccanico	[1] Mecánico		

	OE				
V94573 ■ 40.00 x 8.00 x 115.50	7701 471 713		45°	H	VAG96057B ■ ■ ■ 37.70 x 8.03 x 13.08
V94574 ■ 32.80 x 8.00 x 115.30	7701 471 714		45°	H	

BX600 Fibre Composite	DX600	HBS244 ☉ M12x1.50x111.00mm (x10)	JD419	JN732	HR569 ■	NF846 25.00x42.00x7.00mm FPM/ACM NF847 22.00x45.00x7.00mm FPM/ACM



BX600

582



82.70

Petrol



F3P 674

4 Cyl.

9.7:1

1783cc

69kW (93)PS

TD18885

1316

LAGUNA

06/95→02/01

	OE				
V94573 ■ 40.00 x 8.00 x 115.50	7701 471 713		45°	H	VAG96057B ■ ■ ■ 37.70 x 8.03 x 13.08
V94574 ■ 32.80 x 8.00 x 115.30	7701 471 714		45°	H	

BX600 Fibre Composite	DX600	HBS244 ☉ M12x1.50x111.00mm (x10)	JD419	JN732	HR569 ■	NF846 25.00x42.00x7.00mm FPM/ACM NF847 22.00x45.00x7.00mm FPM/ACM



BX600

583

82.70

Petrol



F3P 678	4 Cyl.	9.7:1	1783cc	66kW (89)PS	TD5542	1315
F3P 720	4 Cyl.	9.7:1	1794cc	66-69kW (90-94)PS	TD3270	1323
F3P 724	4 Cyl.	9.7:1	1794cc	66-69kW (90-94)PS	TD3271	1323

LAGUNA 11/93→03/01

TB256 125x19	TBK017 Component No:TB256; AE1051TP;AE1052GP				

	OE	MAT.			
B x C x D					E x F x G
V94038	7701 466 606		45°	H	VAG96057B
40.20 x 8.00 x 107.00 →12/96		MB			
V94573	7701 471 713		45°	H	
40.00 x 8.00 x 115.50 01/97→		MB			
V94039	7701 466 607		45°	H	
32.60 x 8.00 x 107.00 →12/96		MG			
V94574	7701 471 714		45°	H	
32.80 x 8.00 x 115.30 01/97→		MG			

BX600 Fibre Composite	DX600	HBS244 M12x1.50x111.00mm (x10)	JD419	JN732	HR569	NF846 25.00x42.00x7.00mm FPM/ACM NF847 22.00x45.00x7.00mm FPM/ACM



BX600

RENAULT/DACIA

584

82.70

Petrol



F3P 682	4 Cyl.	9.7:1	1783cc	79kW (107)PS	TD5483	1317
F3P 754	4 Cyl.	9.8:1	1794cc	70kW (95)PS	TD5523	1318
F3P 755	4 Cyl.	9.8:1	1783cc	70kW (95)PS	TD3272	1318
F3P 758	4 Cyl.	9.8:1	1783cc	70kW (95)PS	TD3273	1318
F3P 764	4 Cyl.	9.7:1	1783cc	79kW (107)PS	TD9554	1317
F3P 765	4 Cyl.	9.7:1	1794cc	79kW (107)PS	TD5494	1317

19	05/92→06/96	CLIO	08/90→09/98
-----------	-------------	-------------	-------------

TB256 125x19	TBK017 Component No:TB256; AE1051TP;AE1052GP		KIT		FOL180 (x8) FOL149 (x8) [1]



[1] Mechanical [1] Mécanique [1] Meccanico [1] Mecánico

B x C x D	OE	MAT.
V94038 ■ 40.20 x 8.00 x 107.00	7701 466 606	45° H
V94039 ■ 32.60 x 8.00 x 107.00	7701 466 607	45° H
		VAG96057B ■ ■ ■ 37.70 x 8.03 x 13.08



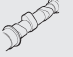



BX600 Fibre Composite	DX600	HBS244 ☉ M12x1.50x111.00mm (x10)	JD419	JN732	HR569 ■	NF846 25.00x42.00x7.00mm FPM/ACM NF847 22.00x45.00x7.00mm FPM/ACM

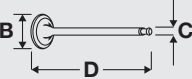
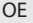



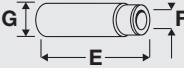












BX600

585	 82.70	Petrol				
F4P 720	4 Cyl.	9.8:1	1783cc	85kW (115)PS	TD16220	1319
F4P 722	4 Cyl.	9.8:1	1783cc	85kW (115)PS	TD16221	1319
F4P 760	4 Cyl.	9.8:1	1783cc	88kW (120)PS	TD16189	1320
F4R 700	4 Cyl.	9.8:1	1998cc	103kW (140)PS	TD16306	1333
F4R 701	4 Cyl.	9.8:1	1998cc	103kW (140)PS	TD16307	1334
F4R 730	4 Cyl.	11:1	1998cc	124kW (168)PS	TD14334	1334
F4R 780	4 Cyl.	9.8:1	1998cc	103kW (140)PS	TD16475	1334

CLIO	02/00→	ESPACE	10/98→10/02	LAGUNA	04/98→03/01
MEGANE	01/01→08/03	SCÉNIC	07/00→08/03		

					
TB644 128x27					FOL103 (x16)

					
V94606 ■ 33.60 x 5.50 x 110.00	7701 474 287		45°	H	VAG96292B ■ ■ ■ 40.60 x 5.50 x 11.07
V94607 ■ 29.00 x 5.50 x 108.90	7701 474 286		45°	H	

							
AD5990 MLS	CD5991	HBS310 ⊕ M12x1.50x117.00mm (x10)	JD5908 ■ JD5910 ■	HR397 ■	PA5013 (x16)	NA5257 28.00x47.00x5.50mm FPM	



AD5990

RENAULT/DACIA

586

82.70

Petrol

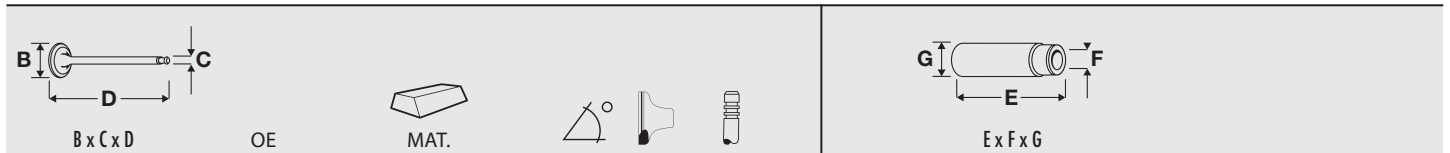


F4P 770	4 Cyl.	9.8:1	1783cc	85-89kW (116-121)PS	TD16216	1320
F4P 771	4 Cyl.	9.8:1	1783cc	85-89kW (116-121)PS	TD18272	1320
F4P 773	4 Cyl.	9.8:1	1783cc	85-89kW (116-121)PS	TD16217	1320
F4P 774	4 Cyl.	9.8:1	1783cc	85-89kW (116-121)PS	TD18273	1320
F4P 775	4 Cyl.	9.8:1	1783cc	85-89kW (116-121)PS	TD18274	1320
F4R 712	4 Cyl.	10:1	1998cc	99kW (135)PS	TD18276	1334
F4R 713	4 Cyl.	9.8-10	1998cc	99kW (135)PS	TD18278	1334
F4R 714	4 Cyl.	10:1	1998cc	99kW (135)PS	TD18279	1334
F4R 715	4 Cyl.	9.8:1	1998cc	99kW (135)PS	TD18280	1334
F4R 720	4 Cyl.	9.8:1	1998cc	88kW (120)PS	TD16359	1334
F4R 722	4 Cyl.	9.8:1	1998cc	88kW (120)PS	TD16360	1334
F4R 770	4 Cyl.	9.8:1	1998cc	99kW (135)PS	TD16533	1334
F4R 771	4 Cyl.	9.8:1	1998cc	99kW (135)PS	TD18301	1334
F4R 792	4 Cyl.	9.8:1	1998cc	100kW (136)PS	TD21197	1334

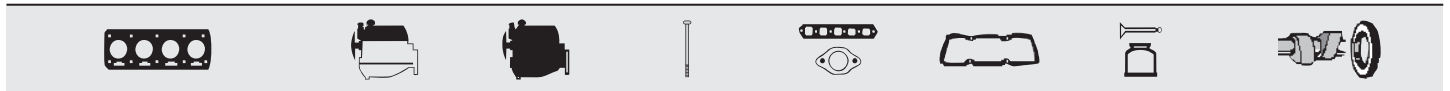
ESPACE	11/02→	GRAND SCÉNIC	04/04→	LAGUNA	03/01→
MEGANE	01/02→	SCÉNIC	06/03→	TRAFIC II	03/01→



TB652 126x27					
------------------------	--	--	--	--	--



V94606 ■ 33.60 x 5.50 x 110.00	7701 474 287		45°	H	VAG96292B ■ ■ ■ 40.60 x 5.50 x 11.07
V94607 ■ 29.00 x 5.50 x 108.90	7701 474 286		45°	H	



AD5990 MLS	CD5991	HBS310 © M12x1.50x117.00mm (x10)	JD5908 ■ JD5910 ■	HR397 ■	PA5013 (x16)	NA5257 28.00x47.00x5.50mm FPM
-------------------	---------------	--	------------------------------------	----------------	---------------------	---



AD5990

587	82.70	Petrol			
F4P 772	4 Cyl.	9.8:1	1783cc	89kW (121)PS	TD21211 1320
F4R 820	4 Cyl.	9.8:1	1998cc	86kW (117)PS	TD19712 1336
LAGUNA	03/01 →	TRAFIC II		08/06 →	

TB652 126x27							
AD5990 MLS	CD5991		HBS310 M12x1.50x117.00mm (x10)	JD5908 JD5910	HR397	PA5013 (x16)	NA5257 28.00x47.00x5.50mm FPM



AD5990

588	82.70	Petrol			
F3P 676	4 Cyl.	9.7:1	1794cc	70-69kW (95-94)PS	TD20049 1321
LAGUNA	06/95 → 06/98				

							FOL180 (x8) FOL149 (x8) [1]

[1] Mechanical [1] Mécanique [1] Meccanico [1] Mecánico

V94616 40.00 x 8.00 x 115.50	V94189 32.60 x 8.00 x 115.40	MG MG	45° 45° ss	H H		VAG96057B 37.70 x 8.03 x 13.08	

BX600 Fibre Composite BS530 Fibre Composite, 1.750mm, 1 Hole ⊖(0.868) → (1.000) mm	DX600		HBS244 M12x1.50x111.00mm (x10)	JD419	JN732	HR569	NF846 25.00x42.00x7.00mm FPM/ACM NF847 22.00x45.00x7.00mm FPM/ACM



BS530



BX600

589



82.70

Petrol



F3P 700	4 Cyl.	9.7:1	1794cc	79-81kW (107-110)PS	TD3262	1317
F3P 704	4 Cyl.	9.7:1	1794cc	65-66kW (88-90)PS	TD5488	1317
F3P 710	4 Cyl.	9.7:1	1794cc	70kW (95)PS	TD3267	1318
F3P 712	4 Cyl.	9.8:1	1794cc	70kW (95)PS	TD3268	1322
F3P 714	4 Cyl.	9.7:1	1794cc	70kW (95)PS	TD3269	1318

19	04/92 → 06/96	CLIO	01/91 → 09/98
-----------	---------------	-------------	---------------

TB256 125x19	TBK017 Component No:TB256; AE1051TP;AE1052GP		KIT		FOL180 (x8) FOL149 (x8) [1]

[1] Mechanical [1] Mécanique [1] Meccanico [1] Mecánico

V94038 ■ 40.20 x 8.00 x 107.00	7701 466 606	MAT. MB	45°	H	VAG96057B ■ ■ ■ 37.70 x 8.03 x 13.08
V94039 ■ 32.60 x 8.00 x 107.00	7701 466 607	MG	45°	H	

BX600 Fibre Composite BS530 Fibre Composite, 1.750mm, 1 Hole ⊖(0.868)→(1.000) mm	DX600	HBS244 ☉ M12x1.50x111.00mm (x10)	JD419	JN732	HR569 ■	NF846 25.00x42.00x7.00mm FPM/ACM NF847 22.00x45.00x7.00mm FPM/ACM



BS530



BX600

590	82.70	Petrol				
F3P 705	4 Cyl.	9.7:1	1794cc	65-66kW (88-90)PS	TD3263	1317
F3P 706	4 Cyl.	9.7:1	1794cc	65-66kW (88-90)PS	TD3264	1317
F3P 707	4 Cyl.	9.7:1	1794cc	65-66kW (88-90)PS	TD3265	1317
F3P 708	4 Cyl.	9.7:1	1794cc	65-66kW (88-90)PS	TD3266	1317
F3P 760	4 Cyl.	9.7:1	1794cc	65-66kW (88-90)PS	TD3274	1317

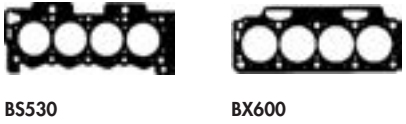
19 04/92 → 06/96

TB256 125x19	TBK017 Component No:TB256; AE1051TP;AE1052GP		KIT		FOL180 (x8) FOL149 (x8) [1]

[1] Mechanical [1] Mécanique [1] Meccanico [1] Mecánico

V94038 ■ 40.20 x 8.00 x 107.00	V94039 ■ 32.60 x 8.00 x 107.00	VAG96057B ■ ■ ■ 37.70 x 8.03 x 13.08
OE: 7701 466 606	OE: 7701 466 607	
MAT. MB	MAT. MG	
45°	45°	
H	H	

BX600 Fibre Composite	DX600	HBS244 ⊕ M12x1.50x111.00mm (x10)	JD409	JN732	HR569 ■	NF846 25.00x42.00x7.00mm FPM/ACM NF847 22.00x45.00x7.00mm FPM/ACM



591	82.70	Petrol				
F3R 200	4 Cyl.	9.8:1	1998cc	84kW (114)PS	TD21210	1324

						NF846 25.00x42.00x7.00mm FPM/ACM

RENAULT/DACIA

592

82.70

Petrol



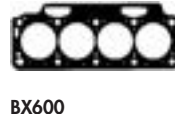
F3R 611	4 Cyl.	9.5:1	1998cc	83-85kW (113-116)PS	TD20904	1325
F3R 722	4 Cyl.	9.5:1	1998cc	70kW (95)PS	TD3275	1326
F3R 723	4 Cyl.	9.5:1	1998cc	70kW (95)PS	TD3276	1326
F3R 796	4 Cyl.	9.5:1	1998cc	80kW (109)PS	TD16351	1327

LAGUNA	11/93→03/01	MEGANE	09/96→08/03
---------------	-------------	---------------	-------------

TB431					
127x19					

B x C x D	OE	MAT.			E x F x G
V94038	7701 466 606		45°	H	VAG96057B
40.20 x 8.00 x 107.00		MB			37.70 x 8.03 x 13.08
V94039	7701 466 607		45°	H	
32.60 x 8.00 x 107.00		MG			

BX600 Fibre Composite	DX600		HBS244	JD419	JN732	HR569	NF846
BS530 Fibre Composite, 1.750mm, 1 Hole			M12x1.50x111.00mm (x10)				25.00x42.00x7.00mm FPM/ACM
							NF847
							22.00x45.00x7.00mm FPM/ACM



593

82.70

Petrol



F3R 728	4 Cyl.	9.5:1	1998cc	84kW (114)PS	TD16177	1326
F3R 729	4 Cyl.	9.5:1	1998cc	84kW (114)PS	TD16178	1326

ESPACE 11/96→10/00

TB431 127x19					FOL180 (x8)

 B x C x D	OE	MAT.				 E x F x G
V94614 31.00 x 7.00 x 104.20 01/98 →	7438 610 036	 MB	45°		H	VAG96057B 37.70 x 8.03 x 13.08
V94188 40.00 x 8.00 x 115.55	7701 471 170	 MD	45°			
V94615 27.00 x 7.00 x 103.20 01/98 →	7438 610 034	 MD cr	45°			
V94189 32.60 x 8.00 x 115.40	7701 471 712	 MG	45°	ss	H	

BX600 Fibre Composite	DX600	HBS244 M12x1.50x111.00mm (x10)	JD419	JN732	HR569	NF846 25.00x42.00x7.00mm FPM/ACM NF847 22.00x45.00x7.00mm FPM/ACM



BS530



BX600

RENAULT/DACIA

594



82.70

Petrol



F3R 742	4 Cyl.	9.8:1	1998cc	84kW (114)PS	TD16372	1327
F3R 769	4 Cyl.	9.5:1	1998cc	84kW (114)PS	TD16374	1330

ESPACE 11/96→10/00

--	--	--	--	--	--

TB431
127x19

	OE	MAT.				
B x C x D			45°	H		E x F x G
V94038	7701 466 606		45°	H		VAG96057B
40.20 x 8.00 x 107.00 →12/96		MB				37.70 x 8.03 x 13.08
V94573	7701 471 713		45°	H		
40.00 x 8.00 x 115.50 01/97→		MB				
V94039	7701 466 607		45°	H		
32.60 x 8.00 x 107.00 →12/96		MG				
V94574	7701 471 714		45°	H		
32.80 x 8.00 x 115.30 01/97→		MG				

--	--	--	--	--	--	--	--

BX600 Fibre Composite	DX600	HBS244	JD419	JN732	HR569	NF846
BS530 Fibre Composite, 1.750mm, 1 Hole ⊖(0.868)→(1.000) mm		M12x1.50x111.00mm (x10)				25.00x42.00x7.00mm FPM/ACM
						NF847 22.00x45.00x7.00mm FPM/ACM



BS530



BX600

595	82.70	Petrol				
F3R 750	4 Cyl.	9.5:1	1998cc	84kW (114)PS	TD4865	1326
F3R 752	4 Cyl.	9.7:1	1998cc	84-80kW (114-109)PS	TD20052	1329
F3R 791	4 Cyl.	9.5:1	1998cc	80kW (109)PS	TD16350	1331
MEGANE		01/96→08/03				

TB431					FOL180 (x8)
127x19					

B x C x D	E x F x G
V94038	VAG96057B
7701 466 606	37.70 x 8.03 x 13.08
40.20 x 8.00 x 107.00	
V94039	
7701 466 607	
32.60 x 8.00 x 107.00	

BX600 Fibre Composite	DX600	HBS244	JD419	JN732	HR569	NF846	NF847
BS530 Fibre Composite, 1.750mm, 1 Hole		M12x1.50x111.00mm (x10)				25.00x42.00x7.00mm FPM/ACM	22.00x45.00x7.00mm FPM/ACM

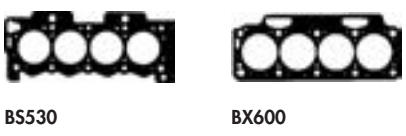


596	82.70	Petrol				
F3R 751	4 Cyl.	9.5:1	1998cc	84kW (114)PS	TD16357	1328
MEGANE		01/96→08/03				

					FOL180 (x8)

B x C x D	E x F x G
V94573	VAG96057B
7701 471 713	37.70 x 8.03 x 13.08
40.00 x 8.00 x 115.50	
V94574	
7701 471 714	
32.80 x 8.00 x 115.30	

BX600 Fibre Composite	DX600	HBS244	JD419	JN732	HR569	NF846	NF847
BS530 Fibre Composite, 1.750mm, 1 Hole		M12x1.50x111.00mm (x10)				25.00x42.00x7.00mm FPM/ACM	22.00x45.00x7.00mm FPM/ACM



RENAULT/DACIA

597



82.70

Petrol



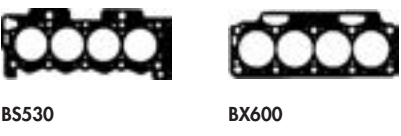
F3R 768 4 Cyl. 9.5:1 1998cc **84kW (114)PS** **TD16373** **1330**

ESPACE 11/96→10/00 **LAGUNA** 06/95→02/01

TB431 127x19					

B x C x D	E x F x G
V94573	VAG96057B
40.00 x 8.00 x 115.50	37.70 x 8.03 x 13.08
V94574	
32.80 x 8.00 x 115.30	

BX600 Fibre Composite	DX600	HBS244	JD419	JN732	HR569	NF846	NF847
BS530 Fibre Composite, 1.750mm, 1 Hole ⊖(0.868)→(1.000) mm		M12x1.50x111.00mm (x10)				25.00x42.00x7.00mm FPM/ACM	22.00x45.00x7.00mm FPM/ACM



598



82.70

Petrol

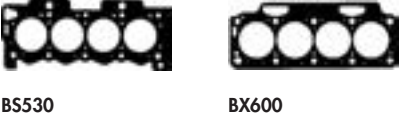




F3R 797 4 Cyl. 9.7:1 1998cc **84kW (114)PS** **TD20050** **1331**



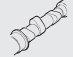












MEGANE 09/96→08/03












TB431 127x19					FOL180 (x8)

BX600 Fibre Composite	DX600	HBS244	JD419	JN732	HR569	NF846	NF847
BS530 Fibre Composite, 1.750mm, 1 Hole ⊖(0.868)→(1.000) mm		M12x1.50x111.00mm (x10)				25.00x42.00x7.00mm FPM/ACM	22.00x45.00x7.00mm FPM/ACM








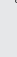




599	 82.70	Petrol			
F3R 798	4 Cyl.	9.7:1	1998cc	84kW (114)PS	TD20051 1331
MEGANE 09/96 → 08/03					



							
TB431 127x19			KIT				
							
			HBS244  M12x1.50x111.00mm (x10)				NF846 25.00x42.00x7.00mm FPM/ACM NF847 22.00x45.00x7.00mm FPM/ACM

600	 82.70	Petrol					
F3R J7	4 Cyl.	9.8:1	1998cc	84kW (114)PS	TD5504 1332		
							
			HBS244  M12x1.50x111.00mm (x10)				NF846 25.00x42.00x7.00mm FPM/ACM NF847 22.00x45.00x7.00mm FPM/ACM







RENAULT/DACIA

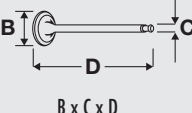
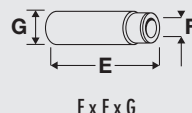


601	 82.70	Petrol				
F4R 732	4 Cyl.	11:1	1998cc	124kW (169)PS	TD21212	1335
F4R 736	4 Cyl.	11:1	1998cc	124kW (169)PS	TD21213	1335
F4R 747	4 Cyl.	10:1	1998cc	103kW (140)PS	TD21215	1335




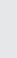




							
							NA5257 28.00x47.00x5.50mm FPM

602	 82.70	Petrol				
F4R 738 Euro 3	4 Cyl.	11:1	1998cc	132-124kW (180-168)PS	TD19676	1334
F4R 740	4 Cyl.	9.3:1	1998cc	102kW (139)PS	TD16355	1334
F4R 741	4 Cyl.	9.8:1	1998cc	102kW (139)PS	TD16356	1334
F4R 744	4 Cyl.	9.8:1	1998cc	102kW (139)PS	TD16340	1334

CLIO	01/04→	SCÉNIC	09/99→08/03	THALIA	09/01→
-------------	--------	---------------	-------------	---------------	--------

					
TB644 128x27			KIT		

	
B x C x D	E x F x G
OE	
MAT.	
	
V94606 ■	VAG96292B ■ ■ ■
33.60 x 5.50 x 110.00	40.60 x 5.50 x 11.07
V94607 ■	
29.00 x 5.50 x 108.90	
7701 474 287	
7701 474 286	
MB	
MG	
45°	
H	
45°	
H	

							
AD5990 MLS	CD5991		HB5310 ☺ M12x1.50x117.00mm (x10)	JD5908 ■ JD5910 ■	HR397 ■	PA5013 (x16)	NA5257 28.00x47.00x5.50mm FPM



AD5990

603		82.70	Petrol			
F4R 746	4 Cyl.	10:1	1998cc	103kW (140)PS	TD21214	1335
MEGANE	01/02→08/03	SCÉNIC	06/00→08/03			

TB644					
128x27					

B x C x D	E x F x G
OE	
MAT.	
V94606	VAG96292B
7701 474 287	40.60 x 5.50 x 11.07
33.60 x 5.50 x 110.00	
V94607	
7701 474 286	
29.00 x 5.50 x 108.90	

AD5990 MLS			HBS310	JD5908		PA5013 (x16)	NA5257
			M12x1.50x117.00mm (x10)	JD5910			28.00x47.00x5.50mm FPM



AD5990

604		82.70	Petrol				
F4R 760	4 Cyl.	9.5:1	1998cc	120kW (163)PS	Turbo	TD16478	1336
F4R 761	4 Cyl.	9.5:1	1998cc	120kW (163)PS	Turbo	TD16480	1336
F4R 762	4 Cyl.	9.5:1	1998cc	120kW (163)PS	Turbo	TD16286	1336
F4R 763	4 Cyl.	9.5:1	1998cc	120kW (163)PS	Turbo	TD16376	1336

AVANTIME	11/01→05/03	VEL SATIS	06/02→
-----------------	-------------	------------------	--------

TB652					FOL103 (x16)
126x27					

B x C x D	E x F x G
OE	
MAT.	
V94606	VAG96292B
7701 474 287	40.60 x 5.50 x 11.07
33.60 x 5.50 x 110.00	
V94607	
7701 474 286	
29.00 x 5.50 x 108.90	

AE5110 MLS	CE5110		HBS310	JD5911	HR397	PA5013 (x16)	NA5257
			M12x1.50x117.00mm (x10)	JD5910			28.00x47.00x5.50mm FPM

RENAULT/DACIA

605



82.70

Petrol



F4R 764	4 Cyl.	9.5:1	1998cc	120kW (163)PS	Turbo	TD18281	1336
F4R 765	4 Cyl.	9.5:1	1998cc	120kW (163)PS	Turbo	TD18282	1336
F4R 766 Euro 4	4 Cyl.	9.5:1	1998cc	125kW (170)PS		TD19668	1337
F4R 767 Euro 4	4 Cyl.	9.5:1	1998cc	125kW (170)PS		TD19669	1337

LAGUNA 01/03 → VEL SATIS 04/04 →

TB652 126x27					

B x C x D	E x F x G
OE	
MAT.	
45°	45°
H	H
V94606 ■ 33.60 x 5.50 x 110.00	VAG96292B ■ ■ ■ 40.60 x 5.50 x 11.07
V94607 ■ 29.00 x 5.50 x 108.90	
7701 474 287	
7701 474 286	
MB	
MG	

AE5110.MLS	CE5110		HBS310 ☉ M12x1.50x117.00mm (x10)	JD5911 ■ JD5910 ■		PA5013 (x16)	NA5257 28.00x47.00x5.50mm FPM

606



82.70

Petrol











F4R 774	4 Cyl.	9:1	1998cc	165kW (224)PS	Turbo Intercooled	TD20906	1337
---------	--------	-----	--------	---------------	-------------------	---------	------

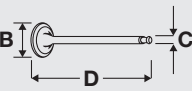




MEGANE 05/04 →






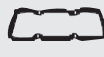






TB652 126x27					



AE5110.MLS	CE5111		HBS310 ☉ M12x1.50x117.00mm (x10)	JD5911 ■ JD5910 ■	HR397 ■		NA5257 28.00x47.00x5.50mm FPM

607	 82.70	Petrol					
F4R 776	4 Cyl.	9.5:1	1998cc	120kW (163)PS	Turbo Intercooled	TD19695	1338
F4R 794	4 Cyl.	9.5:1	1998cc	120kW (163)PS	Turbo Intercooled	TD17059	1342
F4R 795	4 Cyl.	9.5:1	1998cc	120kW (163)PS	Turbo Intercooled	TD17060	1342
F4R 796	4 Cyl.	9.5:1	1998cc	125kW (170)PS	Turbo Intercooled	TD23108	1339
F4R 797	4 Cyl.	9.5:1	1998cc	120kW (163)PS	Turbo Intercooled	TD17061	1342
ESPACE	11/02 →	GRAND SCÉNIC	04/04 →	MEGANE	05/04 →		
SCÉNIC	05/04 →						







					
TB652					
126x27					

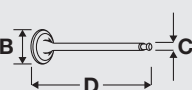


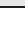

	
B x C x D	E x F x G
V94606 	VAG96292B 
33.60 x 5.50 x 110.00	40.60 x 5.50 x 11.07
V94607 	
29.00 x 5.50 x 108.90	














							
AE5110 MLS	CE5110		HBS310 	JD5911 	HR397 	PA5013 (x16)	NA5257
			M12x1.50x117.00mm (x10)	JD5910 			28.00x47.00x5.50mm FPM

608	 82.70	Petrol					
F4R 784	4 Cyl.	9.5:1	1998cc	125kW (170)PS	Turbo	TD21216	1339
F4R 786	4 Cyl.	9.5:1	1998cc	120kW (163)PS	Turbo Intercooled	TD18283	1339
F4R 787	4 Cyl.	9.5:1	1998cc	120kW (163)PS	Turbo Intercooled	TD18284	1339

LAGUNA	01/03 →						
---------------	---------	--	--	--	--	--	--

					
TB652					
126x27					

	
B x C x D	E x F x G
V94606 	VAG96292B 
33.60 x 5.50 x 110.00	40.60 x 5.50 x 11.07
V94607 	
29.00 x 5.50 x 108.90	

							
AE5110 MLS	CE5110		HBS310 	JD5911 	HR397 	PA5013 (x16)	NA5257
			M12x1.50x117.00mm (x10)	JD5910 			28.00x47.00x5.50mm FPM
				 JE5060 (Steel)			

RENAULT/DACIA

609



82.70

Petrol



F4R 790 4 Cyl. 9.8:1 1998cc 100kW (136)PS TD17057 **1340**

ESPACE 11/02→02/05

TB652 126x27					

B x C x D	OE	MAT.	45°	H	E x F x G
V94606	7701 474 287		45°	H	VAG96292B
33.60 x 5.50 x 110.00		MB			40.60 x 5.50 x 11.07
V94607	7701 474 286		45°	H	
29.00 x 5.50 x 108.90		MG			

AD5990 MLS			HBS310	JD5908	HR397	PA5013 (x16)	NA5257
			M12x1.50x117.00mm (x10)	JD5910			28.00x47.00x5.50mm FPM



AD5990

610



82.70

Petrol





F4R 791 4 Cyl. 9.8:1 1998cc 100kW (136)PS TD17058 **1341**

B x C x D	OE	MAT.	45°	H	E x F x G
V94606	7701 474 287		45°	H	VAG96292B
33.60 x 5.50 x 110.00		MB			40.60 x 5.50 x 11.07
V94607	7701 474 286		45°	H	
29.00 x 5.50 x 108.90		MG			







AD5990 MLS			HBS310	JD5908	HR397	PA5013 (x16)	NA5257
			M12x1.50x117.00mm (x10)	JD5910			28.00x47.00x5.50mm FPM

















AD5990













611		 82.70	Petrol			
F4R 800	4 Cyl.	9.5:1	1998cc	150kW (204)PS		TD22188 1337
F4R 811	4 Cyl.	9.5:1	1998cc	125kW (170)PS	Turbo Intercooled	TD22189 1337
F4R 867	4 Cyl.	10:1	1998cc	108kW (147)PS		TD21217 1336
F4R 886	4 Cyl.	9.5:1	1998cc	150kW (204)PS	Turbo Intercooled	TD21218 1338
F4R 887	4 Cyl.	9.5:1	1998cc	150kW (204)PS	Turbo Intercooled	TD21219 1338
F4R 896	4 Cyl.	9.8:1	1998cc	125kW (170)PS	Turbo Intercooled	TD23891 1339
F4R 897	4 Cyl.	9.5:1	1998cc	125kW (170)PS	Turbo Intercooled	TD21220 1339
F4Rt 774 Euro 4	4 Cyl.	9:1	1998cc	165kW (224)PS	Turbo Intercooled	TD21108 1346
F4Rt 800 Euro 4	4 Cyl.	9:1	1998cc	150kW (204)PS	Turbo Intercooled	TD23054 1337
F4Rt 811 Euro 4	4 Cyl.	9.5:1	1998cc	125kW (170)PS	Turbo	TD20816 1346

ESPACE	04/05→	LAGUNA	01/05→	MEGANE	05/04→
VEL SATIS	04/05→				

					
TB652					
126x27					

							
AE5110MLS	CE5110		HBS310  M12x1.50x117.00mm (x10)	JD5911  JD5910 	HR397 	PA5013 (x16)	NA5257 28.00x47.00x5.50mm FPM

612		 82.70	Petrol			
F4R 811	4 Cyl.	9.5:1	1998cc	125kW (170)PS	Turbo Intercooled	TD23892 1343

							
AE5110MLS	CE5110		HBS310  M12x1.50x117.00mm (x10)	JD5911  JD5910 	HR397 	PA5013 (x16)	NA5257 28.00x47.00x5.50mm FPM

RENAULT/DACIA

613



82.70

Petrol



F4R 830 4 Cyl. 11.5:1 1998cc 145kW (197)PS TD20836 1344

CLIO 02/06 →

TB652 126x27					

B x C x D	OE	MAT.	45°	H	E x F x G
V94606 ■ 33.60 x 5.50 x 110.00	7701 474 287	MB	45°	H	VAG96292B ■ ■ ■ 40.60 x 5.50 x 11.07
V94607 ■ 29.00 x 5.50 x 108.90	7701 474 286	MG	45°	H	

AD5990 MLS	CD5991		HBS310 ⊕ M12x1.50x117.00mm (x10)	JD5887 ■ Steel Elastomer JD5888 ■ Steel Elastomer JD5886 ■	HR397 ■	PA5013 (x16)	NA5257 28.00x47.00x5.50mm FPM



AD5990

614



82.70

Petrol



F4R 870 4 Cyl. 1998cc 132kW (180)PS TD23616 1345

F4R 872 4 Cyl. 1998cc 132kW (180)PS Turbo Intercooled TD26242 1335

F4R 874 Euro 5 4 Cyl. 8.5:1 1998cc 184-186kW (250-253)PS Turbo Intercooled TD24254 1345

MEGANE 11/08 → MEGANE CC 06/10 →

TB652 126x27					

615



82.70

Petrol



F5R 740 4 Cyl. 10:1 1998cc 103kW (140)PS TD13311 1334

MEGANE 11/99 → 08/03

TB796 134x27					

AG5420 MLS	CG5420		HBS431 ⊕	JD5889 ■ Steel Elastomer JD5910 ■	HR397 ■	PA5013 (x16)	NA5257 28.00x47.00x5.50mm FPM

616	82.70	Petrol				
F7R 700	4 Cyl.	10:1	1998cc	108-110kW (147-150)PS	TD3281	1347
CLIO	01/94→09/98					

TB423					
148x25.4					

B x C x D	OE	MAT.	45°	Y	H	E x F x G
V94436	7700 865 550		45°			VAG96163B
33.00 x 7.00 x 107.20		MB				39.00 x 7.02 x 12.08
V94440	7700 865 551		45°			
28.30 x 7.00 x 108.60		MD				

BX620 Fibre Composite, 1.350mm	DX620 [10]		HBS177	JD411	JN996	HR599	NF846
			M12x1.50x108.00mm (x10)	JD410			25.00x42.00x7.00mm FPM/ACM



BX620
 [10] With gaskets/seals [10] Avec joints [10] Con guarnizioni [10] Con juntas



617	82.70	Petrol				
F7R 710	4 Cyl.	9.8:1	1998cc	108-110kW (147-150)PS	TD4866	1348
F7R 714	4 Cyl.	9.8:1	1998cc	108kW (147)PS	TD16278	1349
MEGANE	03/96→08/03		SPORT SPIDER	03/95→10/99		





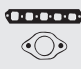





TB423					
148x25.4					



B x C x D	OE	MAT.	45°	Y	H	E x F x G
V94436	7700 865 550		45°			VAG96163B
33.00 x 7.00 x 107.20		MB				39.00 x 7.02 x 12.08
V94440	7700 865 551		45°			
28.30 x 7.00 x 108.60		MD				

			HBS177	JD410	JN996	HR599	NF846
			M12x1.50x108.00mm (x10)				25.00x42.00x7.00mm FPM/ACM



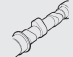



RENAULT/DACIA

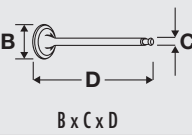



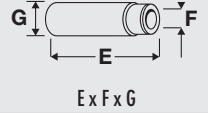

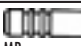


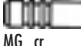

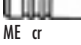
618	 82.70	Petrol				
F7R 712	4 Cyl.	9.8:1	1998cc	110kW (150)PS	TD23893	
F7R 720	4 Cyl.	9.8:1	1998cc	110kW (150)PS	TD23894	1350





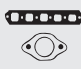







							
			HBS177  M12x1.50x108.00mm (x10)			HR599 	NF846 25.00x42.00x7.00mm FPM/ACM

619	 83.00	Petrol				
N7Q 700	4 Cyl.	10.5:1	1948cc	102kW (139)PS	TD5529	1351
N7Q 704	4 Cyl.	10.5:1	1948cc	102kW (139)PS	TD5530	1351

LAGUNA 06/95→03/01



					
TB434 148x23 →12/97	TB643 142x23 01/98→		KIT		FOL156 (x16)



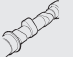



 B x C x D	OE	 MAT.			 E x F x G
V94315  31.00 x 7.00 x 104.10		 MB cr	45°	H	VAG96158  45.00 x 7.02 x 12.08
V94044  27.00 x 7.00 x 103.30		 MG cr	45°	H	
V94314  27.00 x 7.00 x 103.30		 ME cr	45°	ss H	

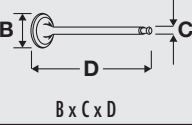
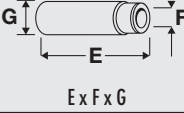
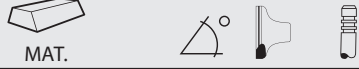

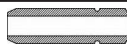


							
BX651 Fibre Composite	DX652		HBS178  M12x1.75x157.00mm (x10)	JA5039  JA5040 		HR599 	NA5138 44.50x57.20x6.75mm ACM NA5136 30.00x47.00x7.00mm FPM















BX651

620	 83.00	Petrol				
N7Q 710	4 Cyl.	10.5:1	1948cc	100kW (136)PS	TD5547	1352
N7Q 711	4 Cyl.	10.5:1	1948cc	100kW (136)PS	TD5548	1352
SAFRANE 07/96 → 12/00						



					
TB434 148x23 →12/97			KIT		FOL156 (x16)
TB643 142x23 12/97→					







	
B x C x D	E x F x G
OE	
MAT.	
	
V94315 	VAG96158 
31.00 x 7.00 x 104.10	45° H
V94044 	45° H
27.00 x 7.00 x 103.30	45° ss H
V94314 	
27.00 x 7.00 x 103.30	









							
BX651 Fibre Composite	DX652		HBS178  M12x1.75x157.00mm (x10)	JA5039  JA5040 		HR599 	NA5138 44.50x57.20x6.75mm ACM NA5136 30.00x47.00x7.00mm FPM



BX651

621	 83.00	Petrol				
N7U 700	5 Cyl.	10.5:1	2435cc	121kW (164)PS	TD5551	1353
N7U 701	5 Cyl.	10.5:1	2435cc	121kW (164)PS	TD5552	1353
SAFRANE 07/96 → 12/00						

					
TB434 148x23 →12/97			KIT		
TB643 142x23 12/97→					

							
BY361 Fibre Composite							NA5138 44.50x57.20x6.75mm ACM NA5136 30.00x47.00x7.00mm FPM



BY361

622



84.00

Diesel











M9R 610	4 Cyl.	15.5:1	1995cc	118kW (160)PS	Turbo Intercooled	TD23557	1354
M9R 615	4 Cyl.	15.5:1	1995cc	110kW (150)PS	Turbo Intercooled	TD23559	1354
M9R 724	4 Cyl.	15.7:1	1995cc	127kW (173)PS	Turbo Intercooled	TD22195	1356
M9R 742	4 Cyl.	15.7:1	1995cc	110kW (150)PS	Turbo Intercooled	TD23504	1356
M9R 744	4 Cyl.	15.7:1	1995cc	110kW (150)PS	Turbo Intercooled	TD23505	1356
M9R 760	4 Cyl.	16:1	1995cc	110kW (150)PS	Turbo Intercooled	TD19681	1356
M9R 761	4 Cyl.	15.7:1	1995cc	127kW (173)PS	Turbo Intercooled	TD23899	1356
M9R 762	4 Cyl.	15.7:1	1995cc	127kW (173)PS	Turbo Intercooled	TD23900	1356
M9R 763	4 Cyl.	15.7:1	1995cc	127kW (173)PS	Turbo Intercooled	TD23901	1356
M9R 800	4 Cyl.		1995cc	127kW (173)PS	Turbo Intercooled	TD22196	1356
M9R 802	4 Cyl.	15.7:1	1995cc	96kW (131)PS	Turbo Intercooled	TD22197	1356
M9R 805 Euro 4	4 Cyl.	16:1	1995cc	110kW (150)PS	Turbo Intercooled	TD26244	1355
M9R 809	4 Cyl.		1995cc	127kW (173)PS	Turbo Intercooled	TD22198	1356
M9R 816	4 Cyl.	15.7:1	1995cc	127-132kW (173-180)PS	Turbo Intercooled	TD22199	1356
M9R 830	4 Cyl.	15.7:1	1995cc	127kW (173)PS	Turbo Intercooled	TD22206	1356

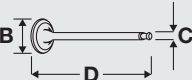







ESPACE	01/06→	GRAND SCÉNIC	02/09→	KOLEOS	09/08→
LAGUNA	01/06→	MEGANE	01/07→	MEGANE CC	06/10→
SCÉNIC	02/09→	VEL SATIS	08/05→		









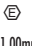
			KIT		
				FOL189 (x16)	FOL190 (x16)



B x C x D	E x F x G
OE	
MAT.	
45°	45°
Y	H
H	H
V95001 ■	
27.70 x 5.98 x 103.90	
V95002 ■	
26.00 x 5.97 x 103.75	

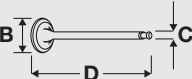




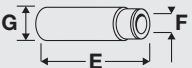


623	 84.00	Diesel					
M9R 700	4 Cyl.	15.7:1	1995cc	110kW (150)PS	Turbo Intercooled	TD20708	1356
M9R 721	4 Cyl.	15.7:1	1995cc	110kW (150)PS	Turbo Intercooled	TD23502	1356
M9R 722	4 Cyl.	15.7:1	1995cc	110kW (150)PS	Turbo Intercooled	TD23503	1356
M9R 740	4 Cyl.	16:1	1995cc	110kW (150)PS	Turbo Intercooled	TD19680	1356
M9R 750	4 Cyl.	15.7:1	1995cc	110kW (150)PS	Turbo Intercooled	TD23508	1356
M9R 780 Euro 4	4 Cyl.	16:1	1995cc	84-66kW (114-90)PS	Turbo Intercooled	TD19714	1356
M9R 782	4 Cyl.	15.7:1	1995cc	66kW (90)PS	Turbo Intercooled	TD23109	1356
ESPACE	01/06→	GRAND SCÉNIC	09/05→	LAGUNA	08/05→		
MEGANE	09/05→	SCÉNIC	09/05→	TRAFIC II	08/06→		

					
				FOL189 (x16)	FOL190 (x16)



					
B x C x D	OE	MAT.	45°	Y	H
V95001 ■	7701 476 596		45°	Y	H
27.70 x 5.98 x 103.90		MB			
V95002 ■	7701 476 595		45°		H
26.00 x 5.97 x 103.75		MG			







							
AG9760 MLS	CG9760		HBS373  M12x1.50x131.00mm (x10)	JD5895 ■ Steel Elastomer JD5937 ■ MLS	HM5291 ■	HR814 ■	



624	 84.00	Diesel					
M9R 746	4 Cyl.	15.7:1	1995cc	110kW (150)PS	Turbo Intercooled	TD23506	1356
M9R 748	4 Cyl.	15.7:1	1995cc	110kW (150)PS	Turbo Intercooled	TD23507	1356
M9R 784	4 Cyl.	15.6:1	1995cc	84kW (114)PS	Turbo Intercooled	TD25141	1355
M9R 832	4 Cyl.	15.7:1	1995cc	110kW (150)PS	Turbo Intercooled	TD22207	1354
M9R 833	4 Cyl.	15.7:1	1995cc	110kW (150)PS	Turbo Intercooled	TD26252	1355







					
B x C x D	OE	MAT.	45°	Y	H
V95001 ■	7701 476 596		45°	Y	H
27.70 x 5.98 x 103.90		MB			
V95002 ■	7701 476 595		45°		H
26.00 x 5.97 x 103.75		MG			














RENAULT/DACIA












625			84.00	Diesel				
M9R 786 Euro 4	4 Cyl.	15.7:1	1995cc	66kW (90)PS	Turbo Intercooled	TD24966	1356	
M9R 804	4 Cyl.		1995cc	127kW (173)PS	Turbo Intercooled	TD26134	1355	
M9R 814	4 Cyl.	15.7:1	1995cc	110kW (150)PS	Turbo Intercooled	TD26247	1355	
M9R 817	4 Cyl.		1995cc	127kW (173)PS	Turbo Intercooled	TD26135	1355	
M9R 820	4 Cyl.	15.7:1	1995cc	131kW (178)PS	Turbo Intercooled	TD26532	1355	
M9R 824	4 Cyl.	15.7:1	1995cc	110kW (150)PS	Turbo Intercooled	TD26073	1355	
M9R 844	4 Cyl.	15.7:1	1995cc	127kW (173)PS	Turbo Intercooled	TD26533	1355	
M9R 846	4 Cyl.	15.7:1	1995cc	110kW (150)PS	Turbo Intercooled	TD26534	1355	
M9R 855	4 Cyl.	15.7:1	1995cc	110kW (150)PS	Turbo Intercooled	TD26248	1355	
M9R 856	4 Cyl.	15.7:1	1995cc	110kW (150)PS	Turbo Intercooled	TD26249	1355	
M9R 862	4 Cyl.	15.7:1	1995cc	110kW (150)PS	Turbo Intercooled	TD26255	1355	
M9R 865	4 Cyl.	15.7:1	1995cc	110kW (150)PS	Turbo Intercooled	TD26250	1355	
M9R 866	4 Cyl.	15.7:1	1995cc	110kW (150)PS	Turbo Intercooled	TD26251	1355	
KOLEOS	09/08→		LAGUNA	10/07→	LATITUDE		02/11→	
TRAFIC II	08/06→							



					
			KIT	FOL189 (x16)	FOL190 (x16)

626			84.00	Diesel				
M9R 815	4 Cyl.	15.7:1	1995cc	110-127kW (150-173)PS	Turbo Intercooled	TD26531	1355	
ESPACE	01/06→		LAGUNA	01/08→				






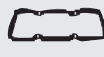


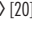


					
			KIT	FOL189 (x16)	FOL190 (x16)

							
AG9760 MLS	CG9760		HBS373  M12x1.50x131.00mm (x10)	JD5895  Steel Elastomer JD5937  MLS	HM5291 	HR814 	

627			84.00	Diesel				
M9Ra 742 Euro 4	4 Cyl.	16:1	1995cc	96-110kW (131-150)PS	Turbo Intercooled	TD20818	1354	
								
				JD5937  MLS				

628	 84.00	Petrol			
M4R 700 Euro 4	4 Cyl.	10.2:1	1997cc	102kW (138)PS	TD21165
M4R 701 Euro 4	4 Cyl.	10.2:1	1997cc	102kW (138)PS	TD21166
M4R 704 Euro 4	4 Cyl.	10.2:1	1997cc	103kW (140)PS	TD20815
M4R 711 Euro 4	4 Cyl.	10.2:1	1997cc	103kW (140)PS	TD23561

CLIO	09/06 →	GRAND SCÉNIC	02/09 →	LAGUNA	10/07 →
MEGANE	02/09 →	MEGANE CC	06/10 →	SCÉNIC	02/09 →

							
AH6330 MLS			HBS524  [20] 01/06 →	JD5908  JD5910 			NA5257 28.00x47.00x5.50mm FPM





AH6330

[20] without plain washer









[20] sans rondelle de calage

[20] senza rondella d'appoggio

[20] sin arandela



629	 84.00	Petrol			
M4R 713 Euro 4	4 Cyl.	10.2:1	1997cc	103kW (140)PS	TD26243
M4R 726 Euro 4	4 Cyl.	10.2:1	1997cc	103kW (140)PS	TD26530

LAGUNA	10/07 →	MEGANE	02/09 →	MEGANE CC	06/10 →
--------	---------	--------	---------	-----------	---------










							
AH6330 MLS							





AH6330

630	 84.00	Diesel				
V9X 891	V6 Cyl.	16:1	2992cc	173-195kW (235-265)PS	Turbo Intercooled	TD26245







LAGUNA	09/08 →	LATITUDE	02/11 →		
--------	---------	----------	---------	--	--



							
						HR817 	

RENAULT/DACIA







631	 85.00	Diesel					
M9T 670 Euro 5	4 Cyl.	16:1	2298cc	74-92kW (101-125)PS	Turbo Intercooled	TD24269	1359
M9T 672 Euro 5	4 Cyl.	16:1	2298cc	74-92kW (101-125)PS	Turbo	TD25154	1359
M9T 676 Euro 4	4 Cyl.	16:1	2298cc	74-92kW (101-125)PS	Turbo Intercooled	TD24268	1359
M9T 678	4 Cyl.	16:1	2298cc	107kW (146)PS	Turbo	TD25158	1359
M9T 680	4 Cyl.	16:1	2298cc	107kW (146)PS	Turbo Intercooled	TD24295	1359
M9T 686 Euro 5	4 Cyl.	16:1	2298cc	92kW (125)PS	Turbo	TD25151	1359
M9T 690 Euro 5	4 Cyl.	16:1	2298cc	92kW (125)PS	Turbo Intercooled	TD24270	1359
M9T 692 Euro 4	4 Cyl.	16:1	2298cc	92kW (125)PS	Turbo Intercooled	TD24271	1359
M9T 694 Euro 4	4 Cyl.	16:1	2298cc	107kW (146)PS	Turbo Intercooled	TD24272	1359
M9T 696 Euro 4	4 Cyl.	16:1	2298cc	92-107kW (125-146)PS	Turbo	TD25150	1359
M9T 698 Euro 5	4 Cyl.	16:1	2298cc	107kW (146)PS	Turbo Intercooled	TD24273	1359

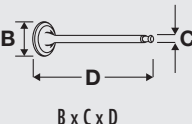
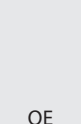



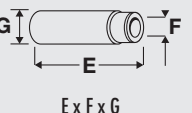


MASTER 02/10 →













					
			KIT	FOL189 (x16)	FOL190 (x16)



632	 86.00	Petrol					
F5R 700	4 Cyl.	10:1	1998cc	103kW (140)PS		TD16369	1360

LAGUNA 04/01 →







					
TB704			KIT		
131x27					













					
B x C x D	OE	MAT.			E x F x G
					VAG96293  
					45.00 x 5.50 x 11.06



							
AG5420 MLS	CG5420		HBS431 	JD5889  Steel Elastomer JD5910 	HR397 	PA5013 (x16)	NA5257 28.00x47.00x5.50mm FPM



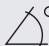








633	 86.00	Petrol					
F5R 701	4 Cyl.	10:1	1998cc	103kW (140)PS		TD21228	1360











LAGUNA 04/01 →

					
TB704			KIT		
131x27					

							
AG5420 MLS	CG5420		HBS431 	JD5889  Steel Elastomer JD5910 	HR397 	PA5013 (x16)	NA5257 28.00x47.00x5.50mm FPM



634	 86.00	Diesel				
852	4 Cyl.	21.5:1	2068cc	47kW (64)PS	TD3077	1361
20	10/80→12/83					



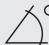








					
B x C x D	OE	MAT.			E x F x G
V91264 	7701 461 338		45°	H	VAG92330B 
40.50 x 8.00 x 111.50		MB			49.00 x 8.00 x 13.06
V91265 	7701 461 339		45°		
33.50 x 8.00 x 111.50		MD			









							
BH080 Fibre Composite, 1.600mm, 1 Hole ⊖→(0.96)mm	DH080 ▲ [10]	GH080 ▲ [14]	HBS010  M12x1.50x134.00mm (x8)	JD245	JN697	HR569 	NA5016 35.00x47.00x7.00mm FPM/ACM
BG900 Fibre Composite, 1.700mm ⊖(0.96)→(1.04) mm							
BH090 Fibre Composite, 1.800mm, 2 Holes ⊖(1.04) mm→							



BG900	BH080, BH090						
[10] With gaskets/seals	[10] Avec joints	[10] Con guarnizioni	[10] Con juntas				
[14] With gaskets/seals; With cylinder sleeve ring	[14] Avec joints;avec deux bagues de chemises de cylindre	[14] Con guarnizioni; tenuta canna cilindro	[14] Con juntas; con segmentos para camisa				

635	 86.00	Diesel				
852 J8S	4 Cyl.		2068cc	63kW (85)PS	TD3081	1362
J8S 232 (852.232)	4 Cyl.	21:1	2068cc	43kW (58)PS	TD3384	1364

					
B x C x D	OE	MAT.			E x F x G
V91264 	7701 461 338		45°	H	VAG92330B 
40.50 x 8.00 x 111.50		MB			49.00 x 8.00 x 13.06
V91265 	7701 461 339		45°		
33.50 x 8.00 x 111.50		MD			

							
							NA5016 35.00x47.00x7.00mm FPM/ACM

RENAULT/DACIA

636



86.00

Diesel



852 710	4 Cyl.	21.5:1	2068cc	49kW (67)PS	TD3078	1363
852 720	4 Cyl.	21.5:1	2068cc	43-44kW (58-60)PS	TD3079	1361
852 750	4 Cyl.	21.5:1	2068cc	43-44kW (58-60)PS	TD3080	1361

18	11/80→07/86	TRAFIC	03/80→06/94
----	-------------	--------	-------------

TB156 148x25.4	TBK123 Component No:TB156; AE1082TP;AE1055GP				

	OE				
V91264 ■ 40.50 x 8.00 x 111.50	7701 461 338	MB	45°	H	VAG92330B ■ ■ ■ 49.00 x 8.00 x 13.06
V91265 ■ 33.50 x 8.00 x 111.50	7701 461 339	MD	45°		

BH080 Fibre Composite, 1.600mm, 1 Hole →(0.96)mm	DH080 ▲ [10]	GH080 ▲ [14]	HBS010 ® M12x1.50x134.00mm (x8)	JD245	JN697	HR569 ■	NA5016 35.00x47.00x7.00mm FPM/ACM
BG900 Fibre Composite, 1.700mm →(0.96)→(1.04) mm							
BH090 Fibre Composite, 1.800mm, 2 Holes →(1.04) mm→							



BG900
[10] With gaskets/seals
[14] With gaskets/seals;
With cylinder sleeve ring

BH080, BH090
[10] Avec joints
[14] Avec joints;avec deux bagues
de chemises de cylindre

[10] Con guarnizioni
[14] Con guarnizioni; con anello
tenuta canna cilindro

[10] Con juntas
[14] Con juntas; con segmentos
para camisa

637



86.00

Diesel



J8S 120	4 Cyl.	21.5:1	2068cc	65-66kW (88-90)PS	TD3383	1364
J8S 234	4 Cyl.	21:1	2068cc	57kW (77)PS	TD3385	1364
J8S 814	4 Cyl.	21.5:1	2068cc	65kW (88)PS	Turbo Intercooled TD21257	1364
J8S 890	4 Cyl.	21.5:1	2068cc	65kW (88)PS	Turbo TD21258	1364



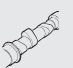



							NA5016 35.00x47.00x7.00mm FPM/ACM

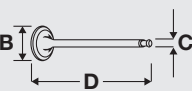





638














86.00
Diesel


J8S 240	4 Cyl.	21.5:1	2068cc	65kW (88)PS	Turbo Intercooled	TD3386	1365
J8S 330	4 Cyl.	21.5:1	2068cc	44kW (60)PS	Turbo	TD3387	1366
J8S 600	4 Cyl.	21.5:1	2068cc	53kW (72)PS	Turbo	TD3388	1362
J8S 702	4 Cyl.	21.5:1	2068cc	63kW (86)PS	Turbo	TD3382	1372
J8S 706	4 Cyl.	21.5:1	2068cc	46kW (63)PS	Turbo	TD3392	1374
J8S 708	4 Cyl.	21.5:1	2068cc	63kW (86)PS	Turbo Intercooled	TD3393	1375
J8S 712	4 Cyl.	21.5:1	2068cc	65kW (88)PS	Turbo	TD3394	1366
J8S 738	4 Cyl.	21.5:1	2068cc	63kW (86)PS	Turbo Intercooled	TD3397	1376
J8S 740	4 Cyl.	21.5:1	2068cc	53kW (72)PS	Turbo	TD3398	1362
J8S 774	4 Cyl.	21.5:1	2068cc	65kW (88)PS	Turbo Intercooled	TD3403	1365
J8S 784	4 Cyl.	21.5:1	2068cc	51kW (69)PS	Turbo	TD3406	1373

18	11/81→07/86	20	01/82→12/83	21	05/89→09/95
25	04/84→12/92	30	02/82→03/86	ESPACE	10/84→12/90
FUEGO	08/82→10/85	MASTER	08/80→07/98		

					
TB156 148x25.4	TBK123 Component No:TB156; AE1082TP;AE1055GP		KIT		

	
B x C x D	E x F x G
V91264 	VAG92330B 
40.50 x 8.00 x 111.50	49.00 x 8.00 x 13.06
V94553 	
40.35 x 8.00 x 111.60	
V91265 	
33.50 x 8.00 x 111.50	

							
BH080 Fibre Composite, 1.600mm, 1 Hole →(0.96)mm	DH080  [10]	GH080  [14]	HBS010  M12x1.50x134.00mm (x8)	JD245	JN697	HR569 	NA5016 35.00x47.00x7.00mm FPM/ACM
BG900 Fibre Composite, 1.700mm →(0.96)→(1.04) mm							
BH090 Fibre Composite, 1.800mm, 2 Holes →(1.04) mm →							



BG900
[10] With gaskets/seals
[14] With gaskets/seals;
With cylinder sleeve ring



BH080, BH090
[10] Avec joints
[14] Avec joints;avec deux bagues
de chemises de cylindre

[10] Con guarnizioni
[14] Con guarnizioni; con anello
tenuta canna cilindro

[10] Con juntas
[14] Con juntas; con segmentos
para camisa

639


86.00
Diesel


J8S 604	4 Cyl.	21.5:1	2068cc	65kW (88)PS	Turbo	TD3389	1367
J8S 742	4 Cyl.	21.5:1	2068cc	65kW (88)PS	Turbo	TD3399	1364
J8S 746	4 Cyl.	21.5:1	2068cc	65kW (88)PS	Turbo	TD3400	1364

 B x C x D				 E x F x G			
OE	MAT.	Angle	Material	OE	MAT.	Angle	Material
V91264	7701 461 338		45°	H	VAG92330B	49.00 x 8.00 x 13.06	
40.50 x 8.00 x 111.50							
V94553	7701 462 232		45°	ss			
40.35 x 8.00 x 111.60							
V91265	7701 461 339		45°				
33.50 x 8.00 x 111.50							

								NA5016 35.00x47.00x7.00mm FPM/ACM

640


86.00
Diesel


J8S 610	4 Cyl.	21.5:1	2068cc	65kW (88)PS	Turbo Intercooled	TD3390	1368
ESPACE	01/91→10/96						

TB156 148x25.4	TBK123 Component No:TB156; AE1082TP;AE1055GP		KIT		

 B x C x D				 E x F x G			
OE	MAT.	Angle	Material	OE	MAT.	Angle	Material
V91264	7701 461 338		45°	H	VAG92330B	49.00 x 8.00 x 13.06	
40.50 x 8.00 x 111.50							
V94553	7701 462 232		45°	ss			
40.35 x 8.00 x 111.60							
V91265	7701 461 339		45°				
33.50 x 8.00 x 111.50							

BH080 Fibre Composite, 1.600mm, 1 Hole →(0.96)mm	DH080 ▲ [10]	GH080 ▲ [14]	HBS010 ® M12x1.50x134.00mm (x8)	JD245	HR569	NA5016 35.00x47.00x7.00mm FPM/ACM
BG900 Fibre Composite, 1.700mm →(0.96)→(1.04) mm						
BH090 Fibre Composite, 1.800mm, 2 Holes →(1.04) mm→						



BG900
[10] With gaskets/seals
[14] With gaskets/seals;
With cylinder sleeve ring



BH080, BH090
[10] Avec joints
[14] Avec joints;avec deux bagues
de chemises de cylindre

[10] Con guarnizioni
[14] Con guarnizioni; con anello
tenuta canna cilindro

[10] Con juntas
[14] Con juntas; con segmentos
para camisa

641







 **86.00**

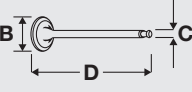





Diesel













J8S 612	4 Cyl.	21.5:1	2068cc	66kW (89)PS	Turbo Intercooled	TD5525	1369
J8S 772	4 Cyl.	21.5:1	2068cc	65kW (88)PS	Turbo Intercooled	TD3402	1379
J8S 776	4 Cyl.	21.5:1	2068cc	65kW (88)PS	Turbo Intercooled	TD3404	1379
J8S 778	4 Cyl.	21.5:1	2068cc	65kW (88)PS	Turbo	TD3405	1380

ESPACE 01/91→10/96

					
TB156 148x25.4	TBK123 Component No:TB156; AE1082TP;AE1055GP		KIT		

	
B x C x D	E x F x G
V91264 	VAG92330B 
40.50 x 8.00 x 111.50	49.00 x 8.00 x 13.06
V94553 	
40.35 x 8.00 x 111.60	
V91265 	
33.50 x 8.00 x 111.50	

							
BH080 Fibre Composite, 1.600mm, 1 Hole →(0.96)mm	DH080 ▲ [10]	GH080 ▲ [14]	HBS010  M12x1.50x134.00mm (x8)	JD245	JN937	HR569 	NA5016 35.00x47.00x7.00mm FPM/ACM
BG900 Fibre Composite, 1.700mm →(0.96)→(1.04) mm							
BH090 Fibre Composite, 1.800mm, 2 Holes →(1.04) mm→							



BG900

[10] With gaskets/seals
[14] With gaskets/seals;
With cylinder sleeve ring

BH080, BH090

[10] Avec joints
[14] Avec joints;avec deux bagues
de chemises de cylindre

[10] Con guarnizioni
[14] Con guarnizioni; con anello
tenuta canna cilindro

[10] Con juntas
[14] Con juntas; con segmentos
para camisa

642



86.00

Diesel



J8S 620 4 Cyl. 21.5:1 2068cc 47kW (64)PS TD5564 **1370**

TRAFIC 06/94→04/98

TB156 148x25.4	TBK123 Component No:TB156; AE1082TP;AE1055GP				

B x C x D	OE	MAT.	45°	H	E x F x G
V91264 ■ 40.50 x 8.00 x 111.50	7701 461 338		45°		VAG92330B ■ ■ 49.00 x 8.00 x 13.06
V91265 ■ 33.50 x 8.00 x 111.50	7701 461 339		45°		

BH080 Fibre Composite, 1.600mm, 1 Hole →(0.96)mm	DH080 ▲ [10]	GH080 ▲ [14]	HBS010 ® M12x1.50x134.00mm (x8)	JD245	JN937	HR569 ■	NA5016 35.00x47.00x7.00mm FPM/ACM
BG900 Fibre Composite, 1.700mm →(0.96)→(1.04) mm							
BH090 Fibre Composite, 1.800mm, 2 Holes →(1.04) mm→							



BG900
[10] With gaskets/seals
[14] With gaskets/seals;
With cylinder sleeve ring

BH080, BH090
[10] Avec joints
[14] Avec joints;avec deux bagues
de chemises de cylindre

[10] Con guarnizioni
[14] Con guarnizioni; con anello
tenuta canna cilindro

[10] Con juntas
[14] Con juntas; con segmentos
para camisa

643	86.00	Diesel					
J8S 704	4 Cyl.	21.5:1	2068cc	48-49kW (65-67)PS	Turbo	TD3391	1373
21	03/86 → 08/94						

TB156 148x25.4	TBK123 Component No:TB156; AE1082TP;AE1055GP		KIT		

	OE	MAT.				
V91264 ■ 40.50 x 8.00 x 111.50	7701 461 338		45°	H		VAG92330B ■ ■ ■ 49.00 x 8.00 x 13.06
V94553 ■ 40.35 x 8.00 x 111.60	7701 462 232		45°	ss	H	
V91265 ■ 33.50 x 8.00 x 111.50	7701 461 339		45°			

BH080 Fibre Composite, 1.600mm, 1 Hole →(0.96)mm	DH080 ▲ [10]	GH080 ▲ [14]	HBS010 ® M12x1.50x134.00mm (x8)	JD245	JN697 JN937	HR569 ■	NA5016 35.00x47.00x7.00mm FPM/ACM
BG900 Fibre Composite, 1.700mm →(0.96)→(1.04)mm							
BH090 Fibre Composite, 1.800mm, 2 Holes →(1.04)mm →							



BG900 [10] With gaskets/seals [14] With gaskets/seals; With cylinder sleeve ring	BH080, BH090 [10] Avec joints [14] Avec joints;avec deux bagues de chemises de cylindre	[10] Con guarnizioni [14] Con guarnizioni; con anello tenuta canna cilindro	[10] Con juntas [14] Con juntas; con segmentos para camisa
--	---	---	--

644	86.00	Diesel					
J8S 711	4 Cyl.	21.5:1	2068cc	49kW (67)PS	TD5431	1370	
18	05/79 → 07/86						

TB156 148x25.4	TBK123 Component No:TB156; AE1082TP;AE1055GP		KIT		

	OE	MAT.				
V91264 ■ 40.50 x 8.00 x 111.50	7701 461 338		45°	H		VAG92330B ■ ■ ■ 49.00 x 8.00 x 13.06
V91265 ■ 33.50 x 8.00 x 111.50	7701 461 339		45°			

							NA5016 35.00x47.00x7.00mm FPM/ACM

645



86.00

Diesel



J8S 714 4 Cyl. 21.5:1 2068cc 65kW (88)PS Turbo TD3395 1375

21 03/86→06/94

TB156 148x25.4	TBK123 Component No:TB156; AE1082TP;AE1055GP	CAM436	CKS2381	FOL157 (x8) Eng: →229555 FOL122 (x8) Eng: 229556→	

B x C x D	OE	MAT.			E x F x G
V91264 ■ 40.50 x 8.00 x 111.50	7701 461 338		45°	H	VAG92330B ■ ■ 49.00 x 8.00 x 13.06
V94553 ■ 40.35 x 8.00 x 111.60	7701 462 232		45°	ss H	
V91265 ■ 33.50 x 8.00 x 111.50	7701 461 339		45°		

BH080 Fibre Composite, 1.600mm, 1 Hole →(0.96)mm	DH080 ▲ [10]		HBS010 ® M12x1.50x134.00mm (x8)	JD245	JN697	HR569 ■	NA5016 35.00x47.00x7.00mm FPM/ACM
BG900 Fibre Composite, 1.700mm →(0.96)→(1.04) mm							
BH090 Fibre Composite, 1.800mm, 2 Holes →(1.04) mm →							



BG900
[10] With gaskets/seals



BH080, BH090
[10] Avec joints

[10] Con guarnizioni

[10] Con juntas

646	86.00	Diesel					
J8S 736	4 Cyl.	21.5:1	2068cc	51kW (69)PS	Turbo	TD3396	1374
25	06/89→12/92						

TB156 148x25.4	TBK123 Component No:TB156; AE1082TP;AE1055GP	CAM436	CKS2381	FOL157 (x8) Eng: →229555 FOL122 (x8) Eng: 229556→	

B x C x D	E x F x G
V91264 ■ 40.50 x 8.00 x 111.50	VAG92330B ■ ■ ■ 49.00 x 8.00 x 13.06
V94553 ■ 40.35 x 8.00 x 111.60	
V91265 ■ 33.50 x 8.00 x 111.50	

BH080 Fibre Composite, 1.600mm, 1 Hole ↔→(0.96)mm	DH080 ▲ [10]	GH080 ▲ [14]	HBS010 ⊗ M12x1.50x134.00mm (x8)	JD245	JN697	HR569 ■	NA5016 35.00x47.00x7.00mm FPM/ACM
BG900 Fibre Composite, 1.700mm ↔(0.96)→(1.04) mm							
BH090 Fibre Composite, 1.800mm, 2 Holes ↔(1.04) mm→							

BG900 [10] With gaskets/seals [14] With gaskets/seals; With cylinder sleeve ring	BH080, BH090 [10] Avec joints [14] Avec joints;avec deux bagues de chemises de cylindre
	[10] Con guarnizioni [14] Con guarnizioni; con anello tenuta canna cilindro
	[10] Con juntas [14] Con juntas; con segmentos para camisa

647	86.00	Diesel			
J8S 750	4 Cyl.	2068cc	44kW (60)PS	TD22186	1377
TRAFIC	05/85→02/89				

TB156 148x25.4	TBK123 Component No:TB156; AE1082TP;AE1055GP				

648



86.00

Diesel



J8S 758	4 Cyl.	21.5:1	2068cc	47kW (64)PS	Turbo	TD5565	1362
J8S 760	4 Cyl.	21.5:1	2068cc	65-66kW (88-90)PS	Turbo	TD3401	1378
SAFRANE	11/93→07/96		TRAFIC	06/94→10/97			

TB156 148x25.4	TBK123 Component No:TB156; AE1082TP;AE1055GP		KIT		

B x C x D	E x F x G
V91264 ■ 40.50 x 8.00 x 111.50	VAG92330B ■ ■ 49.00 x 8.00 x 13.06
V94553 ■ 40.35 x 8.00 x 111.60	
V91265 ■ 33.50 x 8.00 x 111.50	
OE	MAT.
7701 461 338	MB
7701 462 232	MG cr
7701 461 339	MD
45°	45° ss
H	H

BH080 Fibre Composite, 1.600mm, 1 Hole →(0.96)mm	DH080 ▲ [10]	HBS010 Ⓟ M12x1.50x134.00mm (x8)	JD245	JN937	HR569 ■	NA5016 35.00x47.00x7.00mm FPM/ACM
BG900 Fibre Composite, 1.700mm →(0.96)→(1.04) mm						
BH090 Fibre Composite, 1.800mm, 2 Holes →(1.04) mm→						



BG900
[10] With gaskets/seals



BH080, BH090
[10] Avec joints

[10] Con guarnizioni

[10] Con juntas

649

86.00

Diesel



J8S 786	4 Cyl.	21.5:1	2068cc	65kW (88)PS	Turbo	TD3407	1367
J8S 788	4 Cyl.	21.5:1	2068cc	65kW (88)PS	Turbo	TD3408	1376

21 03/86→06/94

TB156 148x25.4	TBK123 Component No:TB156; AE1082TP;AE1055GP	CAM436	CKS2381	FOL157 (x8) Eng: →229555 FOL122 (x8) Eng: 229556→	

V91264 ■ 40.50 x 8.00 x 111.50	V94553 ■ 40.35 x 8.00 x 111.60	V91265 ■ 33.50 x 8.00 x 111.50	VAG92330B ■ ■ 49.00 x 8.00 x 13.06
B x C x D	OE	MAT.	E x F x G
	7701 461 338	MB	
	7701 462 232	MG cr	
	7701 461 339	MD	
		45°	
		45° ss	
		45°	

BH080 Fibre Composite, 1.600mm, 1 Hole →(0.96)mm	DH080 ▲ [10]	HBS010 ® M12x1.50x134.00mm (x8)	JD245	JN937	HR569 ■	NA5016 35.00x47.00x7.00mm FPM/ACM
BG900 Fibre Composite, 1.700mm →(0.96)→(1.04) mm						
BH090 Fibre Composite, 1.800mm, 2 Holes →(1.04) mm→						



BG900
[10] With gaskets/seals



BH080, BH090
[10] Avec joints

[10] Con guarnizioni

[10] Con juntas

650



87.00

Diesel



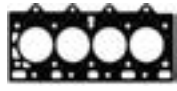
G8T 706 4 Cyl. 23:1 2188cc 61kW (82)PS TD3301 1381

LAGUNA 11/93→03/01

TB437 157x25.4	CAM757	FOL110 (x12)	FOL111 (x12)		

<p>B x C x D</p> <p>OE</p> <p>V94337 ■ 32.10 x 7.00 x 117.60</p> <p>V94319 ■ 31.10 x 7.00 x 117.60</p>	<p>MAT.</p> <p>45°</p> <p>H</p> <p>45°</p>
<p>MB</p> <p>MD cr</p> <p>7701 468 170</p>	

BY070 Fibre Composite	BY080 Fibre Composite	DY070 ▲ [10]	HBS119 Ⓞ M11x1.50x207.50mm (x4)	JD5782 ■ JD436 ■ 11/95→ JD435 ■	JP006	HR599 ■	NF858 33.00x43.00x6.00mm FPM



BY070
[10] With gaskets/seals

BY080
[10] Avec joints

[10] Con guarnizioni

[10] Con juntas

651



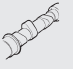



 **87.00**

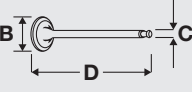


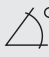


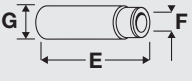
Diesel




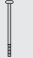

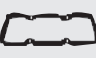




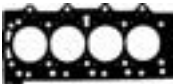
G8T 714	4 Cyl.	22:1	2188cc	83kW (113)PS	Turbo Intercooled	TD16308	1382
G8T 716	4 Cyl.	22:1	2188cc	83kW (113)PS	Turbo	TD16309	1382
G8T 740	4 Cyl.	22:1	2188cc	83kW (113)PS	Turbo Intercooled	TD3300	1382
G8T 760	4 Cyl.	22:1	2188cc	83kW (113)PS	Turbo Intercooled	TD4871	1382

ESPACE	11/96→10/00	LAGUNA	03/96→03/01	SAFRANE	07/96→12/00
---------------	-------------	---------------	-------------	----------------	-------------

					
TB489 163x25.4	TBK090 Component No:TB489; AE1025TP;AE1133GP	CAM665	KIT	FOL110 (x12)	FOL111 (x12)

						
V94562 ■ 32.10 x 7.00 x 117.60	V94319 ■ 31.10 x 7.00 x 117.60	MAT. MG cr MD cr	45°	ss	H	E x F x G

							
AD5190 Fibre Composite	CD5190 [10]	HBS119 ⊕ M11x1.50x207.50mm (x4)	JD436 ■ JD435 ■	JP006	HR788 ■	NF858 33.00x43.00x6.00mm FPM	



AD5190

[10] With gaskets/seals

[10] Avec joints

[10] Con guarnizioni

[10] Con juntas

652



87.00

Diesel



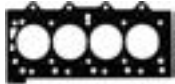
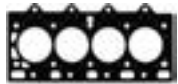
G8T 752 4 Cyl. 23:1 2188cc 61kW (82)PS **TD4872** **1381**

LAGUNA 11/93→03/01

TB489 163x25.4	TBK090 Component No:TB489; AE1025TP;AE1133GP				

V94337 ■ 32.10 x 7.00 x 117.60	V94319 ■ 31.10 x 7.00 x 117.60
OE	7701 468 170
MB	MD cr
45°	45°
H	

BY070 Fibre Composite →11/95	BY080 Fibre Composite	DY070 ▲ [10]	HBS119 ⊕ M11x1.50x207.50mm (x4)	JD436 ■ JD5782 ■ →11/95 JD435 ■	JP006	HR599 ■	NF858 33.00x43.00x6.00mm FPM







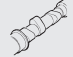



BY070
[10] With gaskets/seals

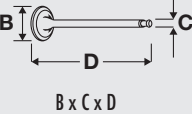



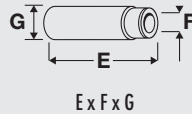


BY080
[10] Avec joints









[10] Con guarnizioni

[10] Con juntas



653	 87.00	Diesel			
G8T 790	4 Cyl.	23:1	2188cc	61kW (82)PS	TD4873 1381
LAGUNA 11/93→03/01					

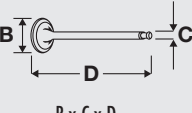



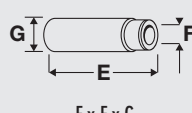


					
TB489 163x25.4		CAM757		FOL110 (x12)	FOL111 (x12)









 B x C x D	OE	 MAT.	 45°	 H	 E x F x G
V94337 ■ 32.10 x 7.00 x 117.60		 MB	45°		
V94319 ■ 31.10 x 7.00 x 117.60	7701 468 170	 MD cr	45°		

							
BY070 Fibre Composite →11/95	DY070 ▲ [10]		HBS119 ⊕ M11x1.50x207.50mm (x4)	JD5782 ■ →11/95	JP006	HR599 ■	NF858 33.00x43.00x6.00mm FPM
BY080 Fibre Composite 11/95→				JD436 ■ 11/95→			
				JD435 ■			

							
BY070 [10] With gaskets/seals	BY080 [10] Avec joints						
		[10] Con guarnizioni					[10] Con juntas

654	 87.00	Diesel			
G8T 792	4 Cyl.	23:1	2188cc	61kW (82)PS	TD18886 1383

 B x C x D	OE	 MAT.	 45°	 H	 E x F x G
V94337 ■ 32.10 x 7.00 x 117.60		 MB	45°		
V94319 ■ 31.10 x 7.00 x 117.60	7701 468 170	 MD cr	45°		

							
				JD436 ■ JD435 ■			

655



87.00

Diesel



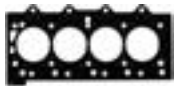
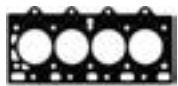
G8T 794 4 Cyl. 23:1 2188cc 61kW (82)PS TD4874 1381

LAGUNA 11/93→03/01

TB489 163x25.4	TBK090 Component No:TB489; AE1025TP;AE1133GP	CAM687	KIT	FOL110 (x12)	

V94337 ■ 32.10 x 7.00 x 117.60	OE	MAT.	45°	H	E x F x G
V94319 ■ 31.10 x 7.00 x 117.60	7701 468 170	MB MD cr	45°		

BY070 Fibre Composite →11/95	DY070 ▲ [10]		HBS119 ⊕ M11x1.50x207.50mm (x4)	JD5782 ■ →11/95	JP006	HR599 ■	NF858 33.00x43.00x6.00mm FPM
BY080 Fibre Composite 11/95→				JD436 ■ 11/95→			
				JD435 ■			



BY070
[10] With gaskets/seals

BY080
[10] Avec joints

[10] Con guarnizioni

[10] Con juntas

656







 **87.00**

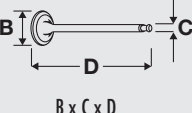

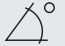

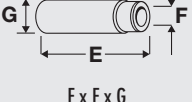




Diesel
















G9T 600 Euro 4	4 Cyl.	18:1	2188cc	110kW (150)PS	Turbo Intercooled	TD19667	1384
G9T 605 Euro 4	4 Cyl.	18:1	2188cc	110kW (150)PS	Turbo Intercooled	TD19682	1385
G9T 642	4 Cyl.	18:1	2188cc	110kW (150)PS	Turbo Intercooled	TD23177	1385
G9T 700	4 Cyl.	18:1	2188cc	110kW (150)PS	Turbo Intercooled	TD20978	1385
G9T 702	4 Cyl.	18:1	2188cc	95-110kW (130-150)PS	Turbo	TD16288	1385
G9T 703	4 Cyl.	19:1	2188cc	110kW (150)PS	Turbo Intercooled	TD16377	1385
G9T 706	4 Cyl.	19:1	2188cc	102-110kW (139-150)PS	Turbo Intercooled	TD20976	1385
G9T 707	4 Cyl.	19:1	2188cc	102-110kW (139-150)PS	Turbo Intercooled	TD20977	1385
G9T 710	4 Cyl.	18:1	2188cc	95-110kW (130-150)PS	Turbo Intercooled	TD16310	1386
G9T 712	4 Cyl.	19:1	2188cc	110kW (150)PS	Turbo Intercooled	TD18298	1384
G9T 720	4 Cyl.	18:1	2188cc	66kW (89)PS	Turbo Intercooled	TD14928	1386
G9T 722	4 Cyl.	18:1	2188cc	66kW (89)PS	Turbo Intercooled	TD16302	1386
G9T 742	4 Cyl.	18:1	2188cc	110kW (150)PS	Turbo Intercooled	TD17062	1385
G9T 743	4 Cyl.	18:1	2188cc	110kW (150)PS	Turbo Intercooled	TD17063	1385
G9T 750	4 Cyl.	17.8:1	2188cc	66kW (90)PS	Turbo Intercooled	TD19088	1386

AVANTIME	05/02→05/03	ESPACE	07/00→	LAGUNA	10/01→
MASTER	09/00→	VEL SATIS	06/02→		

					
TB710					
89x25					

					
B x C x D	OE	MAT.	45°	H	E x F x G
V94513 	7701 472 669		45°		
30.70 x 6.00 x 123.10		MB			
V94514 	7701 472 670		45°		
29.50 x 6.00 x 122.90		MD			

							
AE5210 	CE5210	HBS373 	JD5891 	JD5892	HM5290 	HR791 	NA5053
1.240mm		M12x1.50x131.00mm (x10)	MLC				30.00x42.00x7.00mm FPM



AE5210

RENAULT/DACIA

657



87.00

Diesel



G9T 606 Euro 4

4 Cyl.

18:1

2188cc

102kW (139)PS

Turbo Intercooled

TD21209

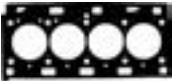
1385

VEL SATIS

09/04 →

TB710					
89x25					

AE5210 MLS, 1.240mm	CE5210		HBS373	JD5891 JD5892 JD5912	HM5290	HR791	NA5053 30.00x42.00x7.00mm FPM



AE5210

658



87.00

Diesel



G9T 607

4 Cyl.

18:1

2188cc

102-110kW (139-150)PS

Turbo Intercooled

TD23896

1386

VEL SATIS

09/04 →

TB710					
89x25					

659



87.00

Diesel



G9T 645 Euro 4

4 Cyl.

18:1

2188cc

102kW (139)PS

Turbo Intercooled

TD21198

1385

ESPACE

02/06 →

	OE	MAT.					
B x C x D			45°	H			
V94513	7701 472 669		45°	H			
30.70 x 6.00 x 123.10		MB					
V94514	7701 472 670		45°				
29.50 x 6.00 x 122.90		MD					

AE5210 MLS, 1.240mm	CE5210		HBS373	JD5891 JD5892 JD5912	HM5290	HR791	NA5053 30.00x42.00x7.00mm FPM



AE5210

660	87.00	Diesel						
G9T 704	4 Cyl.	19:1	2188cc	110kW (150)PS	Turbo Intercooled	TD20975	1385	
	OE	MAT.						
V94513	7701 472 669		45°	H				
30.70 x 6.00 x 123.10		MB						
V94514	7701 472 670		45°					
29.50 x 6.00 x 122.90		MD						
							NA5053	30.00x42.00x7.00mm FPM

661	87.00	Petrol				
L7X 720	6 Cyl.	10.9:1	2946cc	152kW (207)PS	TD18299	1387
L7X 721	6 Cyl.	10.9:1	2946cc	152kW (207)PS	TD18300	1387
L7X 731	V6 Cyl.	10.5:1	2946cc	152kW (207)PS	TD16218	1387
L7X 760	V6 Cyl.	11.4:1	2946cc	166kW (226)PS	TD16213	1387
L7X 762	V6 Cyl.		2946cc	187kW (254)PS	TD18285	1390
AVANTIME	09/01→05/03	CLIO	11/00→	LAGUNA	03/01→	
THALIA	06/02→					
TB727						
259x32						

AH5060 MLS, 0.740mm	CH5040	HBS272	JD5906	HR397	HR5062	NA5260	
AH5050 MLS, 0.950mm	CH5060	M10x1.50x147.00mm (x16)	JD5907 (x2)			38.00x50.00x6.00mm FPM	
AH5040 MLS, 0.740mm			JD5878			NA5177	
AH5070 MLS, 0.950mm			MLS			42.00x56.00x7.00mm FPM	
			JE5069				
			JE5070				
			JE5071				

662	87.00	Petrol					
L7X 722	6 Cyl.	10.9:1	2946cc	152kW (207)PS	TD21192	1387	
							NA5260
							38.00x50.00x6.00mm FPM

RENAULT/DACIA

663



87.00

Petrol



L7X 700	V6 Cyl.	10.5:1	2946cc	140kW (190)PS	TD16207	1388
L7X 701	V6 Cyl.	10.5:1	2946cc	140kW (190)PS	TD16208	1388
L7X 727	V6 Cyl.	10.5:1	2946cc	140kW (190)PS	TD16311	1387

ESPACE	10/98 → 10/02	LAGUNA	03/97 → 03/01
--------	---------------	--------	---------------

TB727 259x32					

B x C x D	OE	MAT.	45°	Y	H
V94173 ■		MB cr			
33.80 x 6.00 x 108.40					
V94174 ■		MG cr	45°	ss	H
31.50 x 6.00 x 107.80					

AG9710 MLS, 1.400mm	CG9710		HBS272	JD5879	HR397	HR5062	NA5260
AG9720 MLS, 1.650mm	CG9720		M10x1.50x147.00mm (x16)	JD5880			38.00x50.00x6.00mm FPM
AG9730 MLS, 1.400mm	CG9740			Steel Elastomer			NA5177
AG9740 MLS, 1.650mm				JD5878			42.00x56.00x7.00mm FPM
				MLS			

664



87.00

Petrol



L7X 713	V6 Cyl.	10.5:1	2946cc	140kW (190)PS	TD17251	1389
---------	---------	--------	--------	---------------	---------	------

SAFRANE	03/99 → 12/00
---------	---------------

TB727 259x32					

AG9710 MLS, 1.400mm	CG9710		HBS272	JD5879	HR397	HR5062	NA5260
AG9720 MLS, 1.650mm	CG9720		M10x1.50x147.00mm (x16)	JD5880			38.00x50.00x6.00mm FPM
AG9730 MLS, 1.400mm	CG9740			Steel Elastomer			NA5177
AG9740 MLS, 1.650mm				JD5878			42.00x56.00x7.00mm FPM
				MLS			

665



87.00



















Petrol











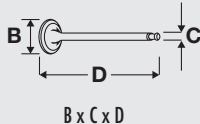
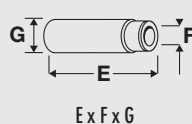





























L7X 732	V6 Cyl.	10.5:1	2946cc	169kW (230)PS	TD20114	1387
---------	---------	--------	--------	---------------	---------	------











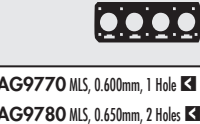
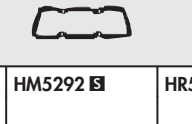


















THALIA	04/00 → 09/01
--------	---------------

AH5060 MLS, 0.740mm	CH5040		HBS272	JD5906	HR397	HR5062	NA5260
AH5050 MLS, 0.950mm	CH5060		M10x1.50x147.00mm (x16)	JD5907 (x2)			38.00x50.00x6.00mm FPM
AH5040 MLS, 0.740mm				JD5878			NA5177
AH5070 MLS, 0.950mm				MLS			42.00x56.00x7.00mm FPM

666	 87.00	Petrol					
L7X 733	V6 Cyl.	10.5:1	2946cc	155kW (211)PS	TD20115	1387	
							
AH5060 MLS, 0.740mm  AH5050 MLS, 0.950mm  AH5040 MLS, 0.740mm  AH5070 MLS, 0.950mm 	CH5040  CH5060 			JD5906  JD5907  (x2)			NA5260 38.00x50.00x6.00mm FPM

667	 87.50	Diesel					
P9X 701	V6 Cyl.	18.5:1	2958cc	130kW (177)PS	Turbo	TD16289	1391
ESPACE	11/02→	VEL SATIS		06/02→			
							
TB750 116x25							
 B x C x D	 E x F x G	 MAT.   	VAG96295   42.00 x 6.01 x 11.04				

							
AG9770 MLS, 0.600mm, 1 Hole  AG9780 MLS, 0.650mm, 2 Holes  AG9790 MLS, 0.700mm, 3 Holes  AG9800 MLS, 0.600mm, 1 Hole  AG9810 MLS, 0.650mm, 2 Holes  AG9820 MLS, 0.700mm, 3 Holes 	CG9770 		HBS502 	JD5897  Steel Elastomer JD5896   JE5064 (Steel)	HM5292 	HR5094 	

668	 87.50	Diesel					
P9X 715 Euro 4	V6 Cyl.	18.5:1	2958cc	120-130kW (163-177)PS	TD21199		
ESPACE	01/06→	VEL SATIS		06/06→			
							
TB750 116x25							
 B x C x D	 E x F x G	 MAT.   	VAG96295   42.00 x 6.01 x 11.04				
AG9770 MLS, 0.600mm, 1 Hole  AG9780 MLS, 0.650mm, 2 Holes  AG9790 MLS, 0.700mm, 3 Holes  AG9800 MLS, 0.600mm, 1 Hole  AG9810 MLS, 0.650mm, 2 Holes  AG9820 MLS, 0.700mm, 3 Holes 	CG9770 		HBS502 	JD5897  Steel Elastomer JD5896 	HM5292 	HR5094 	

RENAULT/DACIA

669



88.00

Petrol



829 701 4 Cyl. 9.2:1 1995cc **80kW (109)PS** TD5428 **1393**

20 10/77→10/80

				FOL2 (x8)	

670



88.00

Petrol



829 702 4 Cyl. 9.2:1 1995cc **76kW (103)PS** TD3307 **1394**

829 703 4 Cyl. 9.2:1 1995cc **76kW (103)PS** TD5427 **1394**

J7T 719 4 Cyl. 8.7:1 2165cc **77kW (105)PS** Turbo TD3362 **1416**

20 10/80→12/83

								NA5016 35.00x47.00x7.00mm FPM/ACM

671



88.00

Petrol







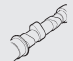



829 710 4 Cyl. 9.2:1 1995cc **81kW (110)PS** TD3044 **1394**









FUEGO 10/80→10/85



TB114 116x19 →24261;376907	TBK015 →24261;376907 Component No:TB114;AE1023TP				
TB421 116x19 24262;376908→, HNBR	TBK281 24262;376908→ HNBR Component No:AE1023TP;TB421				







B x C x D	OE	MAT.			E x F x G
V90371	7701 460 147		30°	H	VAG92337
44.00 x 8.00 x 112.00		MB			51.00 x 8.00 x 13.30
V91263	7701 460 148		45°		
38.50 x 8.00 x 111.50		MD			

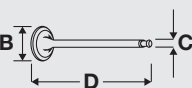
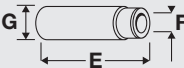



672	 88.00	Petrol			
829 720	4 Cyl.	9:1	1995cc	63kW (86)PS	TD5561 1394
829 721	4 Cyl.	9:1	1995cc	63kW (86)PS	TD5562 1394
TRAFIC 03/80→12/86					












					
TB114 116x19 Eng.→376908 TB421 116x19 Eng.376909→, HNBR	TBK015 Eng.→376908 Component No:TB114;AE1023TP				

							
							NA5016 35.00x47.00x7.00mm FPM/ACM

673	 88.00	Petrol			
829 730	4 Cyl.	9.2:1	1995cc	81kW (110)PS	TD3045 1395
829 731	4 Cyl.	9.2:1	1995cc	81kW (110)PS	TD3046 1396
MASTER 07/80→10/89					

					
TB114 116x19 →07/84 TB421 116x19 07/84→, HNBR	TBK015 →07/84 Component No:TB114;AE1023TP				

	
B x C x D	E x F x G
V90371 	VAG92337 
44.00 x 8.00 x 112.00	51.00 x 8.00 x 13.30
V91263 	
38.50 x 8.00 x 111.50	
OE	MAT.
7701 460 147	30°
7701 460 148	45°
MB	H
MD	

							
BG170 Fibre Composite, 1.200mm	DG173 [10]		HBS116  M12x1.50x243.00mm (x10)	JB954 	JN292	HR569 	NA5016 35.00x47.00x7.00mm FPM/ACM



BG170
[10] With gaskets/seals [10] Avec joints [10] Con guarnizioni [10] Con juntas

RENAULT/DACIA

674



88.00

Petrol



J5R 716	4 Cyl.	9.2:1	1995cc	59-62kW (80-84)PS	TD3302	1395
J5R 722	4 Cyl.	9.2:1	1995cc	59kW (80)PS	TD3304	1397
J5R 726	4 Cyl.	9.2:1	1995cc	59kW (80)PS	TD3305	1396

MASTER	11/89→12/95	TRAFIC	03/80→10/97
---------------	-------------	---------------	-------------

TB421					
116x19					
HNBR					

B x C x D	OE	MAT.		E x F x G	
V90371	7701 460 147		30°	VAG92337	
44.00 x 8.00 x 112.00		MB		51.00 x 8.00 x 13.30	
V91263	7701 460 148	MD	45°		
38.50 x 8.00 x 111.50					

BG170 Fibre Composite, 1.200mm	DG173 [10]		HBS116	JB954	JN292	HR569	NA5016
			M12x1.50x243.00mm (x10)				35.00x47.00x7.00mm FPM/ACM



BG170

[10] With gaskets/seals

[10] Avec joints

[10] Con guarnizioni

[10] Con juntas

675	88.00	Petrol			
J5R 718	4 Cyl.	9.2:1	1995cc	57-60kW (78-82)PS	TD3303 1395
J5R 728	4 Cyl.	9.2:1	1995cc	58kW (79)PS	TD3306 1395
MASTER	06/85→07/98				

TB421 116x19 HNBR	TBK281 HNBR Component No:AE1023TP;TB421		KIT		

V90371 44.00 x 8.00 x 112.00	VAG92337 51.00 x 8.00 x 13.30
V91263 38.50 x 8.00 x 111.50	

BG170 Fibre Composite, 1.200mm	DG173 [10]	HBS116 M12x1.50x243.00mm (x10)	JB954	JN292	HR569	NA5016 35.00x47.00x7.00mm FPM/ACM



BG170
 [10] With gaskets/seals [10] Avec joints [10] Con guarnizioni [10] Con juntas

676	88.00	Petrol			
J5R 800	4 Cyl.	9.2:1	1995cc	61-63kW (85-86)PS	TD21103 1394

BG170 Fibre Composite, 1.200mm	DG173 [10]	HBS116 M12x1.50x243.00mm (x10)	JB954	JN292	HR569	NA5016 35.00x47.00x7.00mm FPM/ACM



BG170
 [10] With gaskets/seals [10] Avec joints [10] Con guarnizioni [10] Con juntas

RENAULT/DACIA

677



88.00

Petrol



J6R 234	4 Cyl.	9.2:1	1995cc	79-81kW (107-110)PS	TD3308	1398
J6R 236	4 Cyl.	9.2:1	1995cc	80kW (108)PS	TD3309	1398
J6R 706	4 Cyl.	9.2:1	1995cc	74kW (100)PS	TD3310	1397
J6R 707	4 Cyl.	9.2:1	1995cc	74kW (100)PS	TD3311	1397
J6R 734	4 Cyl.	9.2:1	1995cc	74kW (100)PS	TD3323	1401
J6R 760	4 Cyl.	9.2:1	1995cc	74kW (100)PS	TD3326	1397
J6R 762	4 Cyl.	9.2:1	1995cc	74kW (100)PS	TD3327	1397
J6R 763	4 Cyl.	9.2:1	1995cc	74kW (100)PS	TD3328	1400

25	04/84→12/92	ESPACE	07/84→12/90
-----------	-------------	---------------	-------------



TB421 116x19 HNBR	TBK281 HNBR Component No:AE1023TP;TB421				

B x C x D	E x F x G
OE	
MAT.	
30°	H
V90371	VAG92337
44.00 x 8.00 x 112.00	51.00 x 8.00 x 13.30
V91263	
38.50 x 8.00 x 111.50	
7701 460 147	
7701 460 148	
MB	
MD	
45°	







BG170 Fibre Composite, 1.200mm	DG170 [10] DG173 [10]		HBS116 M12x1.50x243.00mm (x10)	JB954 	JN292	HR569	NA5016 35.00x47.00x7.00mm FPM/ACM

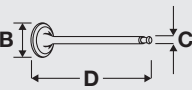
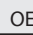

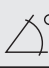





















BG170
[10] With gaskets/seals [10] Avec joints [10] Con guarnizioni [10] Con juntas

678	 88.00	Petrol				
J6R 710	4 Cyl.	9.2:1	1995cc	81kW (110)PS	TD3312	1399
J6R 712	4 Cyl.	9.2:1	1995cc	81kW (110)PS	TD3314	1399
J6R 713	4 Cyl.	9.2:1	1995cc	81kW (110)PS	TD3315	1399
J6R 715	4 Cyl.	9.2:1	1995cc	81kW (110)PS	TD3319	1399
J6R 726	4 Cyl.	9.2:1	1995cc	81kW (110)PS	TD3322	1394

FUEGO 10/80 → 10/85



					
TB114 116x19 →24261;376907	TBK015 →24261;376907 Component No:TB114;AE1023TP				
TB421 116x19 24262;376908 →, HNBR	TBK281 24262;376908 → HNBR Component No:AE1023TP;TB421				

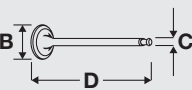
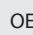
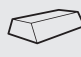
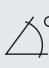

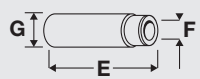





					
B x C x D	OE	MAT.	30°	H	E x F x G
V90371 	7701 460 147		30°		VAG92337 
44.00 x 8.00 x 112.00		MB			51.00 x 8.00 x 13.30
V91263 	7701 460 148		45°		
38.50 x 8.00 x 111.50		MD			













							
BG170 Fibre Composite, 1.200mm	DG170 [10] DG173 [10]		HBS116  M12x1.50x243.00mm (x10)	JB954   JC238	JN292	HR569 	NA5016 35.00x47.00x7.00mm FPM/ACM



BG170
[10] With gaskets/seals [10] Avec joints [10] Con guarnizioni [10] Con juntas

679	 88.00	Petrol				
J6R 711	4 Cyl.	9.2:1	1995cc	77-79kW (105-107)PS	TD5063	1394

					
B x C x D	OE	MAT.	30°	H	E x F x G
V90371 	7701 460 147		30°		VAG92337 
44.00 x 8.00 x 112.00		MB			51.00 x 8.00 x 13.30
V91263 	7701 460 148		45°		
38.50 x 8.00 x 111.50		MD			

							
BG170 Fibre Composite, 1.200mm	DG170 [10] DG173 [10]		HBS116  M12x1.50x243.00mm (x10)	JB954   JC238	JN292	HR569 	NA5016 35.00x47.00x7.00mm FPM/ACM



BG170
[10] With gaskets/seals [10] Avec joints [10] Con guarnizioni [10] Con juntas

680



88.00

Petrol



J6R 714 4 Cyl. 9.2:1 1995cc **77kW (105)PS** **TD5062** **1400**

18 05/83→12/86

TB114 116x19 →24261;26767	TBK015 →24261;26767 Component No:TB114;AE1023TP				
TB421 116x19 24262;26768→, HNBR	TBK281 24262;26768→ HNBR Component No:AE1023TP;TB421				

B x C x D	E x F x G
OE	
MAT.	
V90371	VAG92337
44.00 x 8.00 x 112.00	51.00 x 8.00 x 13.30
7701 460 147	
V91263	
38.50 x 8.00 x 111.50	
7701 460 148	
30°	45°
H	

BG170 Fibre Composite, 1.200mm	DG170 [10] DG173 [10]		HBS116 M12x1.50x243.00mm (x10)	JB954 JC238	JN292	HR569	NA5016 35.00x47.00x7.00mm FPM/ACM



BG170
[10] With gaskets/seals [10] Avec joints [10] Con guarnizioni [10] Con juntas

681







 **88.00**

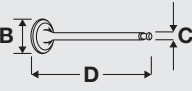

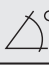

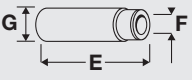





Petrol














J6R 716 4 Cyl. 9.2:1 1995cc **77kW (105)PS** TD5064 **1396**

18 10/81→12/86

					
TB114 116x19 Eng.→24261 TB421 116x19 Eng.24262→, HNBR	TBK015 Eng.→24261 Component No:TB114;AE1023TP TBK281 Eng.24262→ HNBR Component No:AE1023TP;TB421				

				
B x C x D	OE	MAT.		E x F x G
V90371  44.00 x 8.00 x 112.00	7701 460 147		30°	VAG92337  51.00 x 8.00 x 13.30
V91263  38.50 x 8.00 x 111.50	7701 460 148		45°	

						
BG170 Fibre Composite, 1.200mm	DG170 [10] DG173 [10]	HBS116  M12x1.50x243.00mm (x10)	JB954  	JN292	HR569 	NA5016 35.00x47.00x7.00mm FPM/ACM NF687 35.00x47.00x7.00mm FPM



BG170
[10] With gaskets/seals [10] Avec joints [10] Con guarnizioni [10] Con juntas

RENAULT/DACIA

682



88.00

Petrol



J6R 758 4 Cyl. 9.2:1 1995cc 75kW (102)PS TD3324 1402

21 03/86→10/93

TB421 116x19 HNBR	TBK281 Eng.→F311745 HNBR Component No:AE1023TP;TB421		KIT		

	OE				
V90371 ■ 44.00 x 8.00 x 112.00	7701 460 147		30°	H	VAG92337 ■ ■ ■ 51.00 x 8.00 x 13.30
V91263 ■ 38.50 x 8.00 x 111.50	7701 460 148		45°		

BG170 Fibre Composite, 1.200mm	DG170 [10] DG173 [10]	HBS116 △ M12x1.50x243.00mm (x10)	JB954 ■ JC238	JN292	HR569 ■	NA5016 35.00x47.00x7.00mm FPM/ACM



BG170
[10] With gaskets/seals [10] Avec joints [10] Con guarnizioni [10] Con juntas

683



88.00

Petrol



J6R 759 4 Cyl. 9.2:1 1995cc 75kW (102)PS TD3325 1402

21 03/86→10/93

TB421 116x19 HNBR	TBK281 Eng.→F310950 HNBR Component No:AE1023TP;TB421		KIT		

	OE				
V90371 ■ 44.00 x 8.00 x 112.00	7701 460 147		30°	H	VAG92337 ■ ■ ■ 51.00 x 8.00 x 13.30
V91263 ■ 38.50 x 8.00 x 111.50	7701 460 148		45°		

BG170 Fibre Composite, 1.200mm	DG170 [10] DG173 [10]	HBS116 △ M12x1.50x243.00mm (x10)	JB954 ■ JC238	JN292	HR569 ■	NA5016 35.00x47.00x7.00mm FPM/ACM



BG170
[10] With gaskets/seals [10] Avec joints [10] Con guarnizioni [10] Con juntas

684	88.00	Petrol			
J6R 792	4 Cyl.	9.2:1	1995cc	75kW (102)PS	TD3329 1402
21	03/86→10/93				

TB421 116x19 HNBR	TBK281 Eng.→F308604 HNBR Component No:AE1023TP;TB421		KIT		

	OE				
V90371 ■ 44.00 x 8.00 x 112.00	7701 460 147		30°	H	VAG92337 ■ ■ 51.00 x 8.00 x 13.30
V91263 ■ 38.50 x 8.00 x 111.50	7701 460 148		45°		

BG170 Fibre Composite, 1.200mm	DG170 [10] DG173 [10]	HBS116 △ M12x1.50x243.00mm (x10)	JB954 ■ JC238	JN292	HR569 ■	NA5016 35.00x47.00x7.00mm FPM/ACM



BG170
[10] With gaskets/seals [10] Avec joints [10] Con guarnizioni [10] Con juntas

685	88.00	Petrol			
J6R 793	4 Cyl.	9.2:1	1995cc	75kW (102)PS	TD3330 1402
21	03/86→10/93				

TB421 116x19 HNBR	TBK281 Eng.→F308616 HNBR Component No:AE1023TP;TB421		KIT		

	OE				
V90371 ■ 44.00 x 8.00 x 112.00	7701 460 147		30°	H	VAG92337 ■ ■ 51.00 x 8.00 x 13.30
V91263 ■ 38.50 x 8.00 x 111.50	7701 460 148		45°		

BG170 Fibre Composite, 1.200mm	DG170 [10] DG173 [10]	HBS116 △ M12x1.50x243.00mm (x10)	JB954 ■ JC238	JN292	HR569 ■	NA5016 35.00x47.00x7.00mm FPM/ACM



BG170
[10] With gaskets/seals [10] Avec joints [10] Con guarnizioni [10] Con juntas

RENAULT/DACIA

686



88.00

Petrol



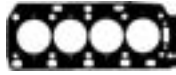
J7R 720	4 Cyl.	9.3:1	1995cc	103kW (140)PS	TD3333	1403
J7R 726	4 Cyl.	9.3:1	1995cc	99-100kW (135-136)PS	TD3337	1405

25 06/88→12/93

TB421 116x19 HNBR	TBK281 HNBR Component No:AE1023TP;TB421				

	OE				
V90371 ■ 44.00 x 8.00 x 112.00	7701 460 147		30°	H	VAG92337 ■ ■ 51.00 x 8.00 x 13.30

BX580 Fibre Composite	DX580	HBS116 △ M12x1.50x243.00mm (x10)	JD414 ■ JD413 ■	JN995	HR662 ■	NB866 28.00x42.00x7.00mm FPM



BX580

687



88.00

Petrol



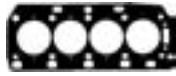
J7R 721	4 Cyl.	9.3:1	1995cc	103kW (140)PS	TD3334	1400
---------	--------	-------	--------	---------------	---------------	-------------

25 06/88→12/93



TB281 103x25.4 TB421 116x19 HNBR					



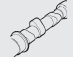



	OE				
V90371 ■ 44.00 x 8.00 x 112.00	7701 460 147		30°	H	VAG92337 ■ ■ 51.00 x 8.00 x 13.30

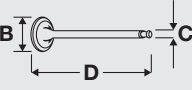



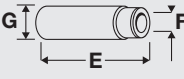





BX580 Fibre Composite	DX580	HBS116 △ M12x1.50x243.00mm (x10)	JD414 ■ JD413 ■	JN995	HR662 ■	NB866 28.00x42.00x7.00mm FPM







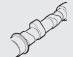



BX580

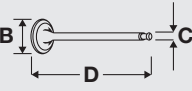



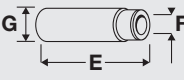





688	 88.00	Petrol				
J7R 722	4 Cyl.	10:1	1995cc	88kW (120)PS	TD3335	1404
J7R 723	4 Cyl.	10:1	1995cc	88kW (120)PS	TD3336	1404
25	03/87 → 12/93					












					
TB281 103x25.4					
TB421 116x19					
HNBR					

				
B x C x D	OE	MAT.		E x F x G
V90371 	7701 460 147		30°	VAG92337 
44.00 x 8.00 x 112.00		MB		51.00 x 8.00 x 13.30
V91263 	7701 460 148		45°	
38.50 x 8.00 x 111.50		MD		

689	 88.00	Petrol				
J7R 732	4 Cyl.	9.2:1	1995cc	77kW (105)PS	TD3338	1406
J7R 733	4 Cyl.	9.2:1	1995cc	77kW (105)PS	TD3339	1407
SAFRANE	11/92 → 07/96					

					
TB421 116x19					
HNBR					

				
B x C x D	OE	MAT.		E x F x G
V90371 	7701 460 147		30°	VAG92337 
44.00 x 8.00 x 112.00		MB		51.00 x 8.00 x 13.30
V91263 	7701 460 148		45°	
38.50 x 8.00 x 111.50		MD		

							
BX560 Fibre Composite	DX560 [10]		HBS116  M12x1.50x243.00mm (x10)	JD416 	JN292	HR569 	NA5016 35.00x47.00x7.00mm FPM/ACM



BX560
[10] With gaskets/seals [10] Avec joints [10] Con guarnizioni [10] Con juntas

RENAULT/DACIA

690



88.00

Petrol



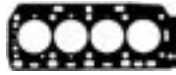
J7R 734	4 Cyl.	9.3:1	1995cc	97-99kW (132-135)PS	TD3340	1407
J7R 735	4 Cyl.	9.3:1	1995cc	97-99kW (132-135)PS	TD3341	1407

SAFRANE 04/92→07/96

TB421					
116x19					
HNBR					

B x C x D	OE	MAT.	45°	ss	H
V94552	7701 465 497				
40.15 x 7.00 x 112.00		MG cr			

BX570 Fibre Composite	DX570 [10]		HBS116	JD416	JN995	HR662	NB866
			M12x1.50x243.00mm (x10)				28.00x42.00x7.00mm FPM



BX570
 [10] With gaskets/seals [10] Avec joints [10] Con guarnizioni [10] Con juntas

691



88.00



Petrol









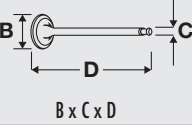
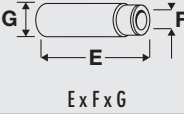
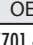






J7R 738	4 Cyl.	9.3:1	1995cc	97-99kW (135-135)PS	TD3342	1408
J7R 739	4 Cyl.	9.3:1	1995cc	97-99kW (135-135)PS	TD3343	1408





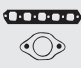







B x C x D	OE	MAT.	30°	H	
V90371	7701 460 147				
44.00 x 8.00 x 112.00		MB			
V91263	7701 460 148		45°		
38.50 x 8.00 x 111.50		MD			

							NB866
							28.00x42.00x7.00mm FPM

692	 88.00	Petrol	
J7R 740	4 Cyl.	9.3:1	1995cc
			99-100kW (134-136)PS
			TD3344 1409
21	07/89→06/94		

			 KIT		
TB421 116x19 HNBR	TBK281 HNBR Component No:AE1023TP;TB421				
TB191 116x19 Length:1104.9mm Polychloroprene (Neoprene) Groove Distance:9.525					

	
B x C x D	E x F x G
 OE	 MAT.
 30°	 H
V90371 	VAG92337 
44.00 x 8.00 x 112.00	51.00 x 8.00 x 13.30
7701 460 147	
 MB	

							
BX580 Fibre Composite	DX580	HBS116 	JD414 	JN995	HR662 	NB866	
		M12x1.50x243.00mm (x10)	JD413 			28.00x42.00x7.00mm FPM	



BX580

RENAULT/DACIA

693



88.00

Petrol



J7R 746	4 Cyl.	10:1	1995cc	88kW (120)PS	TD3345	1402
J7R 747	4 Cyl.	10:1	1995cc	88kW (120)PS	TD3346	1402
J7R 760	4 Cyl.	10:1	1995cc	87-88kW (118-120)PS	TD3352	1402

21	03/86→12/93	ESPACE	03/88→12/92
----	-------------	---------------	-------------

TB421 116x19 HNBR	TBK281 HNBR Component No:AE1023TP;TB421		KIT		

V90371 ■ 44.00 x 8.00 x 112.00	OE 7701 460 147	MAT. MB	30°	H	VAG92337 ■ ■ ■ 51.00 x 8.00 x 13.30
V91263 ■ 38.50 x 8.00 x 111.50	7701 460 148	MD	45°		

BG170 Fibre Composite, 1.200mm	DG173 [10]	HBS116 △ M12x1.50x243.00mm (x10)	JB954 ■ ■ JC238	JN292	HR569 ■	NA5016 35.00x47.00x7.00mm FPM/ACM



BG170
[10] With gaskets/seals [10] Avec joints [10] Con guarnizioni [10] Con juntas

694	88.00	Petrol				
J7R 750	4 Cyl.	10:1	1995cc	85kW (116)PS	TD3347	1410
J7R 751	4 Cyl.	10:1	1995cc	85kW (116)PS	TD3348	1402
21	03/86→06/92					

TB421 116x19 HNBR	TBK281 Eng.→F197763 & F197767 HNBR Component No:AE1023TP;TB421				

B x C x D	OE	MAT.		Ex F x G
V90371	7701 460 147		30°	VAG92337
44.00 x 8.00 x 112.00			H	51.00 x 8.00 x 13.30
V91263	7701 460 148		45°	
38.50 x 8.00 x 111.50				

BG170 Fibre Composite, 1.200mm	DG173 [10]		HBS116	JB954	JN292	HR569	NA5016
			M12x1.50x243.00mm (x10)				35.00x47.00x7.00mm FPM/ACM



BG170
 [10] With gaskets/seals [10] Avec joints [10] Con guarnizioni [10] Con juntas

695	88.00	Petrol					
J7R 752	4 Cyl.	8:1	1995cc	129kW (175)PS	Turbo	TD3349	1411
J7R 756	4 Cyl.	8.5:1	1995cc	119kW (162)PS	Turbo	TD3351	1413
21	04/87→10/93						

TB420 115x19					

B x C x D	OE	MAT.		Ex F x G
V90371	7701 460 147		30°	VAG92337
44.00 x 8.00 x 112.00			H	51.00 x 8.00 x 13.30
V91263	7701 460 148		45°	
38.50 x 8.00 x 111.50				

BX590 Fibre Composite	DX590 [10]		HBS116	JB954	JN994	HR569	NA5016
			M12x1.50x243.00mm (x10)				35.00x47.00x7.00mm FPM/ACM



BX590
 [10] With gaskets/seals [10] Avec joints [10] Con guarnizioni [10] Con juntas

RENAULT/DACIA

696



88.00

Petrol



J7R 754 4 Cyl. 9.3:1 1995cc 98-100kW (133-136)PS TD3350 1412

21 07/89→05/93

<p>B x C x D</p>	OE	MAT.		H	<p>E x F x G</p>
V90371 ■	7701 460 147		30°		VAG92337 ■ ■
44.00 x 8.00 x 112.00		MB			51.00 x 8.00 x 13.30

BX580 Fibre Composite	DX580		HBS116 △ M12x1.50x243.00mm (x10)	JD414 ■ JD413 ■	JN995	HR662 ■	NB866 28.00x42.00x7.00mm FPM



BX580

697



88.00

Petrol



J7R 768 4 Cyl. 9.2:1 1995cc 76kW (103)PS TD3353 1402

SPACE 01/91→10/96

TB421							
116x19							
HNBR							

<p>B x C x D</p>	OE	MAT.		H	<p>E x F x G</p>
V90371 ■	7701 460 147		30°		VAG92337 ■ ■
44.00 x 8.00 x 112.00		MB			51.00 x 8.00 x 13.30
V91263 ■	7701 460 148		45°		
38.50 x 8.00 x 111.50		MD			

BG170 Fibre Composite, 1.200mm	DG173 [10]		HBS116 △ M12x1.50x243.00mm (x10)	JB954 ■ JC238 ■	JN292	HR569 ■	NA5016 35.00x47.00x7.00mm FPM/ACM



BG170

[10] With gaskets/seals

[10] Avec joints

[10] Con guarnizioni

[10] Con juntas

698	88.00	Petrol							
851 700	4 Cyl.	9.2:1	2165cc	85kW (115)PS				TD3076	1414
20	10/80→12/83								

B x C x D	OE	MAT.				E x F x G
V90371 ■ 44.00 x 8.00 x 112.00	7701 460 147		30°		H	VAG92337 ■ ■ ■ 51.00 x 8.00 x 13.30
V91263 ■ 38.50 x 8.00 x 111.50	7701 460 148		45°			

BG170 Fibre Composite, 1.200mm	DG170 [10]		HBS116 △ M12x1.50x243.00mm (x10)	JB954 ■ JC238	JN292	HR569 ■	NA5016 35.00x47.00x7.00mm FPM/ACM NF687 35.00x47.00x7.00mm FPM



BG170
[10] With gaskets/seals [10] Avec joints [10] Con guarnizioni [10] Con juntas

699	88.00	Petrol							
J7T 600	4 Cyl.	10:1	2165cc	74kW (100)PS				TD5563	1417
J7T 780	4 Cyl.	10:1	2165cc	70kW (95)PS				TD3380	1428
TRAFIC	05/89→04/98								

TB422 118x19 HNBR TB194 118x19 Length:1124mm Polychloroprene (Neoprene) Groove Distance:9.525			KIT			

B x C x D	OE	MAT.				E x F x G
V90371 ■ 44.00 x 8.00 x 112.00	7701 460 147		30°		H	VAG92337 ■ ■ ■ 51.00 x 8.00 x 13.30
V91263 ■ 38.50 x 8.00 x 111.50	7701 460 148		45°			

BG170 Fibre Composite, 1.200mm	DG173 [10]		HBS116 △ M12x1.50x243.00mm (x10)	JB954 ■ JC238	JN292	HR569 ■	NA5016 35.00x47.00x7.00mm FPM/ACM



BG170
[10] With gaskets/seals [10] Avec joints [10] Con guarnizioni [10] Con juntas

RENAULT/DACIA

700



88.00

Petrol



J7T 706	4 Cyl.	10:1	2165cc	89kW (121)PS		TD3355	1418
J7T 707	4 Cyl.	9.9:1	2165cc	89kW (121)PS		TD3356	1419
J7T 708	4 Cyl.	9.9:1	2165cc	79kW (107)PS		TD3357	1416
J7T 714	4 Cyl.	10:1	2165cc	89-91kW (121-124)PS		TD3358	1418
J7T 715	4 Cyl.	10:1	2165cc	89-91kW (121-124)PS		TD3359	1418
J7T 718	4 Cyl.	8.7:1	2165cc	77kW (105)PS	Turbo	TD3360	1416
J7T 730	4 Cyl.	10:1	2165cc	91kW (124)PS		TD3364	1418
J7T 731	4 Cyl.	10:1	2165cc	91kW (124)PS		TD3365	1420
J7T 732	4 Cyl.	10:1	2165cc	79kW (107)PS		TD3366	1420
J7T 733	4 Cyl.	10:1	2165cc	79kW (107)PS		TD3367	1420
J7T 754	4 Cyl.	10:1	2165cc	79kW (107)PS		TD3370	1418
J7T 755	4 Cyl.	10:1	2165cc	79kW (107)PS		TD3371	1420

18	06/84→07/86	21	04/86→06/94	25	04/84→12/92
-----------	-------------	-----------	-------------	-----------	-------------



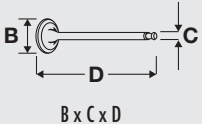
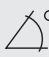







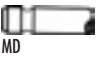
TB422 118x19 HNBR	TBK282 Component No:TB422;AE1023TP				











B x C x D	E x F x G
V90371 ■ 44.00 x 8.00 x 112.00	VAG92337 ■ ■ 51.00 x 8.00 x 13.30
V91263 ■ 38.50 x 8.00 x 111.50	
OE	MAT.
7701 460 147	30°
7701 460 148	45°
MB	H
MD	

BG170 Fibre Composite, 1.200mm	DG170 [10] DG173 [10]			JB954 ■ JC238	JN292	HR569 ■	NA5016 35.00x47.00x7.00mm FPM/ACM





BG170
[10] With gaskets/seals [10] Avec joints [10] Con guarnizioni [10] Con juntas







701	 88.00	Petrol				
J7T 756	4 Cyl.	9.2:1	2165cc	79-81kW (107-110)PS	TD3372	1416
	B x C x D	OE	MAT.			
V90371 	7701 460 147		30°	H	VAG92337 	
44.00 x 8.00 x 112.00		MB			51.00 x 8.00 x 13.30	
V91263 	7701 460 148		45°			
38.50 x 8.00 x 111.50		MD				

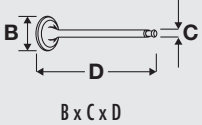




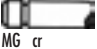
							
BG170 Fibre Composite, 1.200mm	DG170 [10] DG173 [10]			JB954 	JN292	HR569 	NA5016 35.00x47.00x7.00mm FPM/ACM













BG170
 [10] With gaskets/seals [10] Avec joints [10] Con guarnizioni [10] Con juntas

702	 88.00	Petrol				
J7T 760	4 Cyl.	10:1	2165cc	101kW (137)PS	TD3373	1421
J7T 761	4 Cyl.	10:1	2165cc	101kW (137)PS	TD3374	1422
SAFRANE	04/92 → 07/96					

					
TB422 118x19 HNBR	.KIT	KIT			

	B x C x D	OE	MAT.			
V94552 	7701 465 497		45°	ss	H	
40.15 x 7.00 x 112.00		MG cr				

							
BX570 Fibre Composite	DX570 [10]			JD416 	JN995	HR662 	NB866 28.00x42.00x7.00mm FPM



BX570
 [10] With gaskets/seals [10] Avec joints [10] Con guarnizioni [10] Con juntas

RENAULT/DACIA

703



88.00

Petrol



J7T 762 4 Cyl. 10:1 2165cc 79-81kW (107-110)PS TD3375 1423

SAFRANE 04/92→07/96

TB422					
118x19					
HNBR					

B x C x D	OE	MAT.	30°	H	E x F x G
V90371 ■	7701 460 147		30°	H	VAG92337 ■ ■
44.00 x 8.00 x 112.00		MB			51.00 x 8.00 x 13.30
V91263 ■	7701 460 148		45°		
38.50 x 8.00 x 111.50		MD			

BX560 Fibre Composite	DX560 [10]				JN292	HR569 ■	NA5016
							35.00x47.00x7.00mm FPM/ACM



BX560
 [10] With gaskets/seals [10] Avec joints [10] Con guarnizioni [10] Con juntas

704



88.00



Petrol









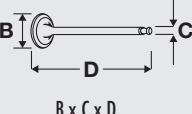

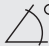

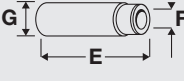



J7T 763 4 Cyl. 9.2:1 2165cc 79-81kW (107-110)PS TD3376 1424








B x C x D	OE	MAT.	30°	H	E x F x G
V90371 ■	7701 460 147		30°	H	VAG92337 ■ ■
44.00 x 8.00 x 112.00		MB			51.00 x 8.00 x 13.30
V91263 ■	7701 460 148		45°		
38.50 x 8.00 x 111.50		MD			

							NA5016
							35.00x47.00x7.00mm FPM/ACM

705	 88.00	Petrol				
J7T 770	4 Cyl.	10:1	2165cc	79-81kW (107-110)PS		TD3377 1425
ESPACE 07/86→12/90						

					
TB422 118x19 HNBR	TBK282 Component No:TB422;AE1023TP				

	OE				
V90371 ■ 44.00 x 8.00 x 112.00	7701 460 147		30°	H	VAG92337 ■ ■ 51.00 x 8.00 x 13.30
V91263 ■ 38.50 x 8.00 x 111.50	7701 460 148		45°		

						
BG170 Fibre Composite, 1.200mm	DG173 [10]	HBS116 △ M12x1.50x243.00mm (x10)	JB954 ■ JC238	JN292	HR569 ■	NA5016 35.00x47.00x7.00mm FPM/ACM



BG170
 [10] With gaskets/seals [10] Avec joints [10] Con guarnizioni [10] Con juntas

RENAULT/DACIA

706



88.00

Petrol



J7T 772	4 Cyl.	10:1	2165cc	79-81kW (107-110)PS	TD3378	1426
J7T 773	4 Cyl.	9.2:1	2165cc	79-81kW (108-110)PS	TD5524	1427
J7T 776	4 Cyl.	10:1	2165cc	79-81kW (107-110)PS	TD3379	1417
J7T 782	4 Cyl.	10:1	2165cc	67-69kW (91-94)PS	TD3381	1428
J7T 788	4 Cyl.	8.6:1	2165cc	67kW (91)PS	TD12736	1429

ESPACE	01/91 → 12/96	MASTER	08/80 → 07/98
---------------	---------------	---------------	---------------

TB422 118x19 HNBR					

B x C x D	E x F x G
V90371 44.00 x 8.00 x 112.00	VAG92337 51.00 x 8.00 x 13.30
7701 460 147	
V91263 38.50 x 8.00 x 111.50	
7701 460 148	

BG170 Fibre Composite, 1.200mm	DG173 [10]		HBS116 M12x1.50x243.00mm (x10)	JB954 	JN292	HR569	NA5016 35.00x47.00x7.00mm FPM/ACM



BG170
[10] With gaskets/seals [10] Avec joints [10] Con guarnizioni [10] Con juntas

707



88.00

Petrol



112	V6 Cyl.	8.65:1	2664cc	92-96kW (125-131)PS	TD3410	1430
-----	---------	--------	--------	---------------------	---------------	-------------

30	02/75 → 08/78
-----------	---------------

B x C x D	E x F x G
V90371 44.00 x 8.00 x 112.00	VAG92337 51.00 x 8.00 x 13.30
7701 460 147	

BG120 Fibre Composite, 1.200mm	DG120 [10]	GG120 [14]	HBS127 M12x1.50x178.00mm (x16)	LV864 (x2)	JN302 JN303	HR300 (x2)	NF687 35.00x47.00x7.00mm FPM NF492 32.00x45.00x10.00mm NBR



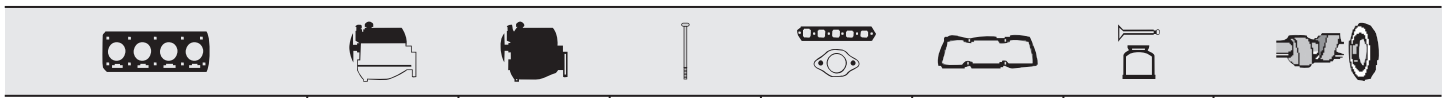
BG120
[10] With gaskets/seals
[14] With gaskets/seals;
With cylinder sleeve ring

BG130
[10] Avec joints
[14] Avec joints; avec deux bagues
de chemises de cylindre

[10] Con guarnizioni
[14] Con guarnizioni; con anello
tenuta canna cilindro

[10] Con juntas
[14] Con juntas; con segmentos
para camisa

708	88.00	Petrol				
140	V6 Cyl.	9.2:1	2664cc	105kW (143)PS	TD3411	1431
30	10/78 → 12/83					

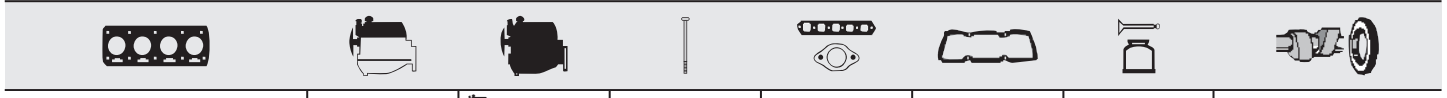


BG120 Fibre Composite, 1.200mm	DG120 [10]	GG120 [14]	HBS127 M12x1.50x178.00mm (x16)	JN302 JN303	HR300 (x2)
---------------------------------------	-------------------	-------------------	--	------------------------------	-------------------



BG120 [10] With gaskets/seals [14] With gaskets/seals; With cylinder sleeve ring	BG130 [10] Avec joints [14] Avec joints;avec deux bagues de chemises de cylindre	[10] Con guarnizioni [14] Con guarnizioni; con anello tenuta canna cilindro	[10] Con juntas [14] Con juntas; con segmentos para camisa
--	--	---	--

709	88.00	Petrol				
144	V6 Cyl.	9.2:1	2664cc	94kW (128)PS	TD3412	1431
30	07/78 → 01/84					

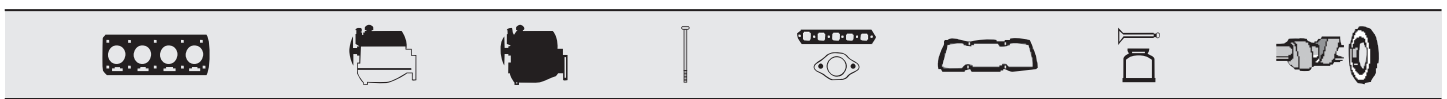


BG120 Fibre Composite, 1.200mm	DG120 [10]	GG120 [14]	HBS127 M12x1.50x178.00mm (x16)	LV864 (x2)	JN302 JN303	HR300 (x2)	NF687 35.00x47.00x7.00mm FPM NF492 32.00x45.00x10.00mm NBR
---------------------------------------	-------------------	-------------------	--	-------------------	------------------------------	-------------------	---



BG120 [10] With gaskets/seals [14] With gaskets/seals; With cylinder sleeve ring	BG130 [10] Avec joints [14] Avec joints;avec deux bagues de chemises de cylindre	[10] Con guarnizioni [14] Con guarnizioni; con anello tenuta canna cilindro	[10] Con juntas [14] Con juntas; con segmentos para camisa
--	--	---	--

710	88.00	Petrol				
Z7V 708	V6 Cyl.	8.8/9.2:1	2664cc	104kW (141)PS	TD3441	1433
25	04/84 → 08/89					



BG120 Fibre Composite, 1.200mm			HBS127 M12x1.50x178.00mm (x16)	JC876	JN302 JN303	
---------------------------------------	--	--	--	--------------	------------------------------	--



BG120	BG130
--------------	--------------

711


88.00
Petrol


Z7V 709	V6 Cyl.	8.8/9.2:1	2664cc	104kW (141)PS	TD3442	1433
Z7V 711	V6 Cyl.	8.8/9.2:1	2664cc	104kW (141)PS	TD3443	1433

25 04/84 → 08/89

<p>B x C x D</p>	OE	MAT.		H	<p>E x F x G</p>
V90371 44.00 x 8.00 x 112.00	7701 460 147	 MB	30°		VAG92337 51.00 x 8.00 x 13.30

 BG120 Fibre Composite, 1.200mm	 BG130 Fibre Composite, 1.200mm	 HBS127 M12x1.50x178.00mm (x16)	 JC876	 JN302	 JN303
 BG120	 BG130				

712


89.00
Diesel


G9U 630 Euro 4	4 Cyl.	18:1	2463cc	84kW (114)PS	TD19713	1434
G9U 632 Euro 4	4 Cyl.	18.1:1	2463cc	88-107kW (120-146)PS	TD21013	1434
G9U 650 Euro 4	4 Cyl.	18.1:1	2463cc	74-88kW (101-120)PS	Turbo Intercooled	TD21011 1434
G9U 720 Euro 3	4 Cyl.	21:1	2463cc	85kW (115)PS	Turbo Intercooled	TD16303 1435
G9U 730 Euro 3	4 Cyl.	18:1	2463cc	99kW (135)PS	Turbo Intercooled	TD18275 1435
G9U 750 Euro 3	4 Cyl.	17.75:1	2463cc	84kW (115)PS	Turbo Intercooled	TD19359 1435

MASTER 10/01 → TRAFIC II 03/01 →

 TB710 89x25	 KIT	 TB710	 TB710
---------------------------	----------------	------------------	------------------

<p>B x C x D</p>	OE	MAT.		H	<p>E x F x G</p>
V94513 30.70 x 6.00 x 123.10	7701 472 669	 MB	45°		
V94514 29.50 x 6.00 x 122.90	7701 472 670	 MD	45°		

 AE5220 MLS	 CE5210	 HBS373 M12x1.50x131.00mm (x10)	 JD5891 (x4) JD5892	 HM5290	 HR791	 NA5053 30.00x42.00x7.00mm FPM
 AE5220						

713	89.00	Diesel						
G9U 724 Euro 3	4 Cyl.	21:1	2463cc	84kW (115)PS	Turbo Intercooled	TD19366	1435	
MASTER	10/01→							

	.KIT		KIT				
TB710							
89x25							

AE5220 MLS	CE5210		HBS373	JD5891 (x4)	HM5290	HR791	NA5053
			M12x1.50x131.00mm (x10)	JD5892			30.00x42.00x7.00mm FPM



AE5220

714	89.00	Diesel					
G9U 754 Euro 3	4 Cyl.	17.75:1	2463cc	73kW (99)PS	Turbo Intercooled	TD19085	1435
MASTER	10/01→						

	.KIT		KIT				
TB710							
89x25							

B x C x D	E x F x G	OE	MAT.	45°	H		
V94513		7701 472 669		45°			
30.70 x 6.00 x 123.10			MB				
V94514		7701 472 670		45°			
29.50 x 6.00 x 122.90			MD				

AE5220 MLS			HBS373				NA5053
			M12x1.50x131.00mm (x10)				30.00x42.00x7.00mm FPM



AE5220

715	91.00	Petrol					
Z7U 700	V6 Cyl.	8.6:1	2458cc	151kW (205)PS	Turbo	TD3437	1436
Z7U 702	V6 Cyl.	8.6:1	2458cc	133kW (181)PS	Turbo	TD3438	1436
Z7U 730	V6 Cyl.		2458cc	147kW (200)PS	Turbo	TD3439	
Z7U 734	V6 Cyl.		2458cc	136kW (185)PS	Turbo	TD3440	

25	10/84→12/92						
-----------	-------------	--	--	--	--	--	--

			HBS127			HR569 (x2)	
			M12x1.50x178.00mm (x16)				

RENAULT/DACIA

716	91.00	Petrol			
Z7W 700	V6 Cyl.	9.5:1	2849cc	115kW (156)PS	TD3444 1438
Z7W 706	V6 Cyl.	9.5:1	2849cc	110-112kW (150-153)PS	TD3447 1440
Z7W 707	V6 Cyl.	9.5:1	2849cc	110-112kW (150-153)PS	TD3448 1440
Z7W 709	V6 Cyl.	9.5:1	2849cc	110kW (150)PS	TD3449 1439
Z7W 712	V6 Cyl.	9.5:1	2849cc	110kW (150)PS	TD3450 1439
Z7W 713	V6 Cyl.	9.5:1	2849cc	110kW (150)PS	TD3451 1439
Z7W 717	V6 Cyl.	9.5:1	2849cc	110kW (150)PS	TD17866 1439

25 06/87→12/92 **ESPACE** 01/91→10/96

<p>B x C x D</p>	<p>OE</p>	<p>MAT.</p>	<p>30°</p>	<p>H</p>	<p>E x F x G</p>
V90371 44.00 x 8.00 x 112.00	7701 460 147	<p>MB</p>			VAG92337 51.00 x 8.00 x 13.30

AG5270 Fibre Composite 44.00 x 8.00 x 112.00	CG5270	HBS127 M12x1.50x178.00mm (x16)	JN302 JN303	HR569 (x2)	NF687 35.00x47.00x7.00mm FPM

AG5270

717	91.00	Petrol			
Z7W 701	V6 Cyl.	9.5:1	2849cc	115kW (156)PS	TD3445 1439
Z7W 702	V6 Cyl.	9.5:1	2849cc	100kW (136)PS	TD3446 1438

25 06/86→02/88

AG5270 Fibre Composite 44.00 x 8.00 x 112.00	CG5270	HBS127 M12x1.50x178.00mm (x16)	JN302 JN303	HR569 (x2)	NF687 35.00x47.00x7.00mm FPM

AG5270

718



93.00

Diesel



8140.21.235 IDS

4 Cyl.

18:1

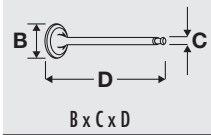
2445cc

68-71kW (92-96)PS

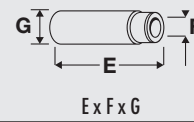
Turbo

TD3418

1441

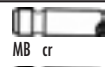


OE



V91292 ■
40.80 x 8.00 x 120.70

7701 463 603



45°

V91293 ■
34.50 x 8.00 x 122.00



VAG92444 ■
56.00 x 8.00 x 13.04



VAG92445 ■
60.00 x 8.00 x 13.04



VAG92369 ■ ■
60.00 x 8.00 x 13.07

VAG92373 ■ ■
56.00 x 8.03 x 13.04



AY590 Fibre Composite, 1.400mm

JC054 ■
JC055 ■

JN594

NP068

55.00x70.00x8.00mm PPM



AY590

RENAULT/DACIA

719



93.00

Diesel



8140.61.2300	4 Cyl.	21:1	2445cc	52kW (71)PS	TD3429	1442
8140.61.240 Sofim	4 Cyl.	22:1	2445cc	51kW (69)PS	TD12871	1444
MASTER		08/80→07/98		TRAFIC		03/80→03/01

TB135 152x30 →09/90 Polychloroprene (Neoprene)	TBK045 →09/90 Component No:TB135; AE1011TP;AE1010GP	TBK037 09/90→ Component No:TB368; AE1011TP;AE1010GP			

V91292 ■ 40.80 x 8.00 x 120.70	V91293 ■ 34.50 x 8.00 x 122.00	VAG92444 ■ 56.00 x 8.00 x 13.04	VAG92445 ■ 60.00 x 8.00 x 13.04	VAG92369 ■ ■ 60.00 x 8.00 x 13.07	VAG92373 ■ ■ 56.00 x 8.03 x 13.04

BE580 Fibre Composite, 1.350mm	AY300 Fibre Composite, 1.700mm	DE588 ▲ [10]	HBS011 ◊ M12x1.25x119.00mm (x12)	JC054 ■ JC055 ■	JN594		NPO68 55.00x70.00x8.00mm FPM
AY300 [10] With gaskets/seals	BE580 [10] Avec joints	[10] Con guarnizioni	[10] Con juntas				

720



93.00

Diesel



8140.61.235	4 Cyl.	21:1	2445cc	53kW (72)PS	TD3430	1443
-------------	--------	------	--------	-------------	--------	------

BE580 Fibre Composite, 1.350mm	AY300 Fibre Composite, 1.700mm	DE588 ▲ [10]	HBS011 ◊ M12x1.25x119.00mm (x12)	JC054 ■ JC055 ■	JN462 →Eng.1051190 JN594 Eng.1051190→	HR602 ■		NPO68 55.00x70.00x8.00mm FPM NPO67 50.00x70.00x10.00mm FPM
AY300 [10] With gaskets/seals	BE580 [10] Avec joints	[10] Con guarnizioni	[10] Con juntas					



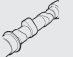



721

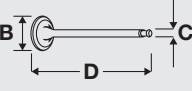





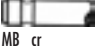
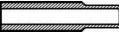




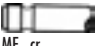



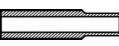
 **93.00**




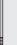








Diesel



S8U 720	4 Cyl.	22:1	2445cc	51kW (69)PS	TD3413	1442
S8U 722	4 Cyl.	22:1	2445cc	51kW (69)PS	TD3414	1442
TRAFIC 03/80→03/01						

					
TB135 152x30 →09/90 Polychloroprene (Neoprene)	TBK045 →09/90 Component No:TB135; AE1011TP;AE1010GP		TBK037 09/90→ Component No:TB368; AE1011TP;AE1010GP		
TB368 152x30 09/90→, HNBR					

 B x C x D	OE	MAT.				 E x F x G
V91292 	7701 463 603		30°	Y	H	VAG92444 
40.80 x 8.00 x 120.70		MB cr				56.00 x 8.00 x 13.04
V91293 			45°			VAG92445 
34.50 x 8.00 x 122.00		MD				60.00 x 8.00 x 13.04
V91294 			45°		H	VAG92369 
34.50 x 8.00 x 122.00		MF cr				60.00 x 8.00 x 13.07
V94481 	7701 467 249		45°		H	VAG92373 
36.50 x 8.00 x 122.00		MG cr				56.00 x 8.03 x 13.04

							
BE580 Fibre Composite, 1.350mm	DE588  [10]	HBS011 	M12x1.25x119.00mm (x12)	JC054 	JN594		NPO68
AY300 Fibre Composite, 1.700mm				JC055 			55.00x70.00x8.00mm FPM



AY300
[10] With gaskets/seals



BE580
[10] Avec joints

[10] Con guarnizioni

[10] Con juntas

722



93.00

Diesel



S8U 730 4 Cyl. 22:1 2445cc 52kW (71)PS TD12873 **1445**

MASTER 07/83→02/98

TB135 152x30 For OE no:5000814593 Polychloroprene (Neoprene)					
TB368 152x30 For OE no:7701043483, HNBR					

	OE	MAT.				
B x C x D						E x F x G
V91292	7701 463 603		30°	Y	H	VAG92444
40.80 x 8.00 x 120.70		MB cr				56.00 x 8.00 x 13.04
V91293			45°			VAG92445
34.50 x 8.00 x 122.00		MD				60.00 x 8.00 x 13.04
V91294			45°		H	VAG92369
34.50 x 8.00 x 122.00		MF cr				60.00 x 8.00 x 13.07
V94481	7701 467 249		45°		H	VAG92373
36.50 x 8.00 x 122.00		MG cr				56.00 x 8.03 x 13.04

BE580 Fibre Composite, 1.350mm	DE588 [10]		HBS011	JC054	JN594		NP068
AY300 Fibre Composite, 1.700mm			M12x1.25x119.00mm (x12)	JC055			55.00x70.00x8.00mm FPM



AY300
[10] With gaskets/seals



BE580
[10] Avec joints

[10] Con guarnizioni

[10] Con juntas

723

 **93.00**

Diesel



S8U 731

4 Cyl.

22:1

2445cc







52kW (71)PS

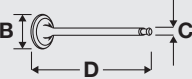






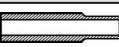







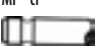

TD12730





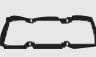






1442

MASTER

07/80→07/98

					
<p>TB135 152x30 For OE no:5000814593 Polychloroprene (Neoprene)</p>	<p>TBK045 For OE no:5000814593 Component No:TB135; AE1011TP;AE1010GP</p>				
<p>TB368 152x30 For OE no:7701043483, HNBR</p>	<p>TBK037 For OE no:7701043483 Component No:TB368; AE1011TP;AE1010GP</p>				

	OE	MAT.				
B x C x D						E x F x G
V91292 	7701 463 603		30°	Y	H	VAG92444 
40.80 x 8.00 x 120.70		MB cr				56.00 x 8.00 x 13.04
V91293 			45°			VAG92445 
34.50 x 8.00 x 122.00		MD				60.00 x 8.00 x 13.04
V91294 			45°		H	VAG92369 
34.50 x 8.00 x 122.00		MF cr				60.00 x 8.00 x 13.07
V94481 	7701 467 249		45°		H	VAG92373 
36.50 x 8.00 x 122.00		MG cr				56.00 x 8.03 x 13.04

						
BE580 Fibre Composite, 1.350mm	DE588  [10]	HBS011  M12x1.25x119.00mm (x12)	JC054  JC055 	JN594		NPO68 55.00x70.00x8.00mm FPM
AY300 Fibre Composite, 1.700mm						



AY300
[10] With gaskets/seals

BE580
[10] Avec joints

[10] Con guarnizioni

[10] Con juntas

RENAULT/DACIA

724



93.00

Diesel



S8U 748

4 Cyl.

22:1

2445cc

55kW (75)PS

TD12735

1446

 B x C x D			OE	MAT.	 30°	 Y	 H	 E x F x G	
V91292	7701 463 603			30°	Y	H	VAG92444		
40.80 x 8.00 x 120.70							56.00 x 8.00 x 13.04		
V91293				45°			VAG92445		
34.50 x 8.00 x 122.00							60.00 x 8.00 x 13.04		
V91294				45°		H	VAG92369		
34.50 x 8.00 x 122.00							60.00 x 8.00 x 13.07		
V94481	7701 467 249			45°		H	VAG92373		
36.50 x 8.00 x 122.00							56.00 x 8.03 x 13.04		

BE580 Fibre Composite, 1.350mm	AY300 Fibre Composite, 1.700mm	HB5011 M12x1.25x119.00mm (x12)	JC054 JC055	JN594	NP068 55.00x70.00x8.00mm FPM
AY300	BE580				

725



93.00

Diesel



8140.47.2590

4 Cyl.

18.5:1

2499cc

85kW (116)PS

TD12199

1463

 B x C x D			OE	MAT.	 30°	 Y	 H	 E x F x G	
V91292	7701 463 603			30°	Y	H	VAG92444		
40.80 x 8.00 x 120.70							56.00 x 8.00 x 13.04		
V91293				45°			VAG92445		
34.50 x 8.00 x 122.00							60.00 x 8.00 x 13.04		
							VAG92369		
							60.00 x 8.00 x 13.07		
							VAG92373		
							56.00 x 8.03 x 13.04		

AB5100 Fibre Composite, 1.200mm	DS381 [10]	FB5101 [12]	JC054 (x4) JC055 (x4) JF123 (x4)	HR602	NP068 55.00x70.00x8.00mm FPM NP067 50.00x70.00x10.00mm FPM
AY580 Fibre Composite, 1.300mm					
AY590 Fibre Composite, 1.400mm					
AB5110 Fibre Composite, 1.500mm					
AB5100, AB5110	AY580, AY590				

[10] With gaskets/seals [10] Avec joints [10] Con guarnizioni [10] Con juntas
 [12] Without crankshaft seal [12] Sans bague d'étanchéité - vilebrequin [12] Con paraolio-albero a gomiti [12] Con árbol retén

726	93.00	Diesel				
8140-47	4 Cyl.	18.5:1	2499cc	85kW (116)PS	TD8533	1471
	OE	MAT.				
V91292 ■ 40.80 x 8.00 x 120.70	7701 463 603		30°	Y H	VAG92444 ■ 56.00 x 8.00 x 13.04	
V91293 ■ 34.50 x 8.00 x 122.00			45°		VAG92445 ■ 60.00 x 8.00 x 13.04	
					VAG92369 ■ ■ 60.00 x 8.00 x 13.07	
					VAG92373 ■ ■ 56.00 x 8.03 x 13.04	

AB5100 Fibre Composite, 1.200mm AY580 Fibre Composite, 1.300mm AY590 Fibre Composite, 1.400mm AB5110 Fibre Composite, 1.500mm	DS381 ▲ [10]	FB5101 ▲ [12]		JC054 ■ (x4) JC055 ■ (x4) JF123 (x4)			NPO68 55.00x70.00x8.00mm FPM
AB5100, AB5110	AY580, AY590						
[10] With gaskets/seals	[10] Avec joints	[10] Con guarnizioni	[10] Con juntas				
[12] Without crankshaft seal	[12] Sans bague d'étanchéité - vilebrequin	[12] Con paraolio-albero a gomiti	[12] Con árbol retén				

727	93.00	Diesel				
8140.07.2530 ID	4 Cyl.	18.5:1	2500cc	56kW (76)PS	TD3417	1447
	OE	MAT.				
V91292 ■ 40.80 x 8.00 x 120.70	7701 463 603		30°	Y H	VAG92444 ■ 56.00 x 8.00 x 13.04	
V91293 ■ 34.50 x 8.00 x 122.00			45°		VAG92445 ■ 60.00 x 8.00 x 13.04	
					VAG92369 ■ ■ 60.00 x 8.00 x 13.07	
					VAG92373 ■ ■ 56.00 x 8.03 x 13.04	

AY590 Fibre Composite, 1.400mm	DS381 ▲ [10]			JC054 ■ JC055 ■	JN594		NPO68 55.00x70.00x8.00mm FPM
AY590							
[10] With gaskets/seals	[10] Avec joints	[10] Con guarnizioni	[10] Con juntas				

RENAULT/DACIA

728



93.00

Diesel



8140.07.2585 Euro 1

4 Cyl.

18.5:1

2500cc

55kW (75)PS

TD12192

1448

TB701 153x30 →06/96	TBK039 →06/96 Component No:TB701;AE1010GP	TB368 152x30 07/96 →, HNBR	TBK037 07/96 → Component No:TB368; AE1011TP;AE1010GP		

	OE		
B x C x D		E x F x G	
V91399 ■ 41.00 x 8.00 x 122.00	 MB	30°	H
V91939 ■ 43.50 x 8.00 x 122.00	 MB cr	30°	H
V91400 ■ 34.50 x 8.00 x 122.00	 MG	45°	H
V91994 ■ 35.80 x 8.00 x 121.90	 MD cr	45°	H
		VAG92444 ■ 56.00 x 8.00 x 13.04	
		VAG92445 ■ 60.00 x 8.00 x 13.04	
		VAG92369 ■ ■ 60.00 x 8.00 x 13.07	
		VAG92373 ■ ■ 56.00 x 8.03 x 13.04	

							NP068 55.00x70.00x8.00mm FPM

729



93.00

Diesel



8140.07.2700

4 Cyl.

18:1

2500cc

55kW (75)PS

TD22385

1449

8140.07.3700 Euro 1

4 Cyl.

18.5:1

2500cc

55kW (75)PS

TD22386

1450

8140.27.2700

4 Cyl.

18.5:1

2500cc

68-76kW (92-103)PS

Turbo

TD21392

1460



	DS381 ▲ [10]			JC054 ■			NP068 55.00x70.00x8.00mm FPM

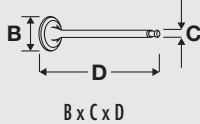






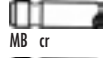


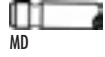



[10] With gaskets/seals











[10] Avec joints

[10] Con guarnizioni

[10] Con juntas



730	 93.00	Diesel				
8140.27.2500	4 Cyl.	2500cc	69kW (93)PS	Turbo	TD3419	1451
8140.27.2510 Sofim	4 Cyl.	2500cc	69kW (93)PS	Turbo	TD3420	1452
MASTER 08/89 → 07/98						










						
B x C x D	OE	MAT.	30°	Y	H	E x F x G
V91292 	7701 463 603		30°	Y	H	VAG92444 
40.80 x 8.00 x 120.70		MB cr				56.00 x 8.00 x 13.04
V91293 			45°			VAG92445 
34.50 x 8.00 x 122.00		MD				60.00 x 8.00 x 13.04
						VAG92369 
						60.00 x 8.00 x 13.07
						VAG92373 
						56.00 x 8.03 x 13.04



							
BR070 Fibre Composite, 1.200mm	DS381  [10]			JC054 			NP068 55.00x70.00x8.00mm FPM
AY590 Fibre Composite, 1.400mm							

















BR070, AY590
 [10] With gaskets/seals [10] Avec joints [10] Con guarnizioni [10] Con juntas

731	 93.00	Diesel					
8140.27.2512	4 Cyl.	2500cc	69kW (93)PS	Turbo	TD3421	1453	
8140.27.2560	4 Cyl.	2500cc	69kW (93)PS		TD8623	1455	
8140.27.2565 IDS Sofim	4 Cyl.	2500cc	78kW (106)PS		TD12197	1456	
8140.27.2582	4 Cyl.	2500cc	92kW (125)PS	Turbo	TD3424	1458	
8140.47.2535	4 Cyl.	18.5:1	2500cc	85kW (116)PS	Turbo Intercooled	TD3426	1455
8140.47.2580	4 Cyl.	18.5:1	2500cc	76kW (103)PS	Turbo Intercooled	TD3427	1453

							
				JC054 			

732	 93.00	Diesel					
8140.27.2530 IDS	4 Cyl.	18:1	2500cc	71-78kW (96-106)PS	Turbo	TD3422	1454

							
AB5100 Fibre Composite, 1.200mm	DS381  [10]		HBS011 	JC054 	JN594		NP068 55.00x70.00x8.00mm FPM
AY580 Fibre Composite, 1.300mm	DW040 		M12x1.25x119.00mm (x12)	JC055 			
AY590 Fibre Composite, 1.400mm				 JF123			
AB5110 Fibre Composite, 1.500mm							



AB5100, AB5110 **AY580, AY590**
 [10] With gaskets/seals [10] Avec joints [10] Con guarnizioni [10] Con juntas

733



93.00

Diesel



8140.27.2580 Sofim

4 Cyl.

18:1

2500cc

72kW (98)PS

Turbo

TD3423

1457

MASTER

08/89→07/98

 B x C x D				 MAT.			 E x F x G			
V91292 ■	7701 463 603		30°	Y	H	VAG92444 ■				
40.80 x 8.00 x 120.70						56.00 x 8.00 x 13.04				
V91293 ■			45°			VAG92445 ■				
34.50 x 8.00 x 122.00						60.00 x 8.00 x 13.04				
						VAG92369 ■ ■				
						60.00 x 8.00 x 13.07				
						VAG92373 ■ ■				
						56.00 x 8.03 x 13.04				

BR070 Fibre Composite, 1.200mm	DS381 ▲ [10]			JC054 ■			NP068
AY590 Fibre Composite, 1.400mm				JC055 ■			55.00x70.00x8.00mm FPM



BR070, AY590

[10] With gaskets/seals

[10] Avec joints

[10] Con guarnizioni

[10] Con juntas

734



93.00

Diesel



8140.27.2585

4 Cyl.

18.5:1

2500cc

78kW (106)PS

Turbo

TD12195

1459

 B x C x D				 MAT.			 E x F x G			
V91292 ■	7701 463 603		30°	Y	H	VAG92444 ■				
40.80 x 8.00 x 120.70						56.00 x 8.00 x 13.04				
V91293 ■			45°			VAG92445 ■				
34.50 x 8.00 x 122.00						60.00 x 8.00 x 13.04				
						VAG92369 ■ ■				
						60.00 x 8.00 x 13.07				
						VAG92373 ■ ■				
						56.00 x 8.03 x 13.04				

AY590 Fibre Composite, 1.400mm				JC054 ■			



AY590

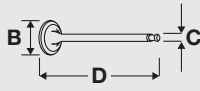
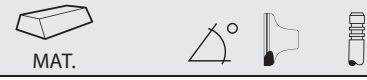
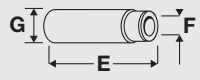

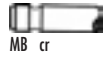





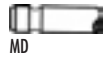




735

 **93.00**

Diesel



8140.47.2530 IDR Sofim	4 Cyl.	18:1	2500cc	85kW (116)PS	Turbo	TD3425	1461
8140-27 Sofim	4 Cyl.	18.5:1	2500cc	78kW (106)PS	Turbo	TD8529	1470

 B x C x D				 MAT.			 E x F x G		
V91292 	7701 463 603		30°	Y	H	VAG92444 			
40.80 x 8.00 x 120.70						VAG92445 			
V91293 			45°			VAG92369 			
34.50 x 8.00 x 122.00						VAG92373 			
						56.00 x 8.03 x 13.04			



AB5100 Fibre Composite, 1.200mm	DS381 ▲ [10]			JC054 	JN594	NP068 55.00x70.00x8.00mm FPM
AY580 Fibre Composite, 1.300mm				JC055 		
AY590 Fibre Composite, 1.400mm						
AB5110 Fibre Composite, 1.500mm						



AB5100, AB5110
[10] With gaskets/seals



AY580, AY590
[10] Avec joints

[10] Con guarnizioni

[10] Con juntas

RENAULT/DACIA

736



93.00

Diesel



8140.47.2585

4 Cyl.

2500cc

85kW (116)PS

TD3428

1462

TB701 153x30 →06/96	TBK039 →06/96 Component No:TB701;AE1010GP		KIT		

V91292 ■ 40.80 x 8.00 x 120.70	V91293 ■ 34.50 x 8.00 x 122.00	VAG92444 ■ 56.00 x 8.00 x 13.04	VAG92445 ■ 60.00 x 8.00 x 13.04	VAG92369 ■ ■ 60.00 x 8.00 x 13.07	VAG92373 ■ ■ 56.00 x 8.03 x 13.04

AB5100 Fibre Composite, 1.200mm AY580 Fibre Composite, 1.300mm AY590 Fibre Composite, 1.400mm AB5110 Fibre Composite, 1.500mm	DS381 ▲ [10]	FB5101 ▲ [12]	JC054 ■ (x4) JC055 ■ (x4) JF123 (x4)			HR602 ■	NPO68 55.00x70.00x8.00mm FPM NPO67 50.00x70.00x10.00mm FPM



AB5100, AB5110

AY580, AY590

[10] With gaskets/seals

[10] Avec joints

[10] Con guarnizioni

[10] Con juntas

[12] Without crankshaft seal

[12] Sans bague d'étanchéité - vilebrequin

[12] Con paraolio-albero a gomiti

[12] Con árbol retén

737



93.00

Diesel



8140.47.2700 Euro 1

4 Cyl.

18.5:1

2500cc

85kW (116)PS

Turbo Intercooled

TD22395

1455

8140.47.2721 Euro 1

4 Cyl.

18.5:1

2500cc

85kW (116)PS

Turbo Intercooled

TD22396

1455

8140.47.2785 Euro 1

4 Cyl.

18.5:1

2500cc



85kW (116)PS







Turbo Intercooled









TD22397

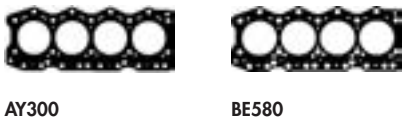
1455



			JC054 ■				NPO68 55.00x70.00x8.00mm FPM

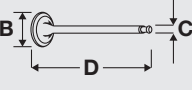

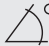


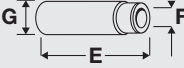
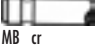

738	 93.00	Diesel			
8140.67.2500	4 Cyl.	22:1	2500cc	55kW (75)PS	TD3431 1464
8140.67.2550	4 Cyl.	21:1	2500cc	55kW (75)PS	TD12872 1464
8140.67.2580 Euro 2	4 Cyl.	18.5:1	2500cc	55kW (75)PS	TD3433 1466
TRAFIC 05/89→03/01					









					
TB368 152x30 HNBR	TBK037 Component No:TB368; AE1011TP;AE1010GP		KIT		

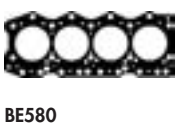
							
BE580 Fibre Composite, 1.350mm AY300 Fibre Composite, 1.700mm				JC054 ■ JC055 ■	JN594		NPO68 55.00x70.00x8.00mm FPM



739	 93.00	Diesel			
8140.67.2510	4 Cyl.	21:1	2500cc	55kW (75)PS	TD3432 1465
MASTER 08/89→07/98					

					
B x C x D	OE	MAT.			E x F x G
V91292 ■ 40.80 x 8.00 x 120.70	7701 463 603		30°	Y	VAG92444 ■ 56.00 x 8.00 x 13.04
V91293 ■ 34.50 x 8.00 x 122.00			45°	H	VAG92445 ■ 60.00 x 8.00 x 13.04
					VAG92369 ■ ■ 60.00 x 8.00 x 13.07
					VAG92373 ■ ■ 56.00 x 8.03 x 13.04

							
BE580 Fibre Composite, 1.350mm				JC054 ■			



RENAULT/DACIA

740



93.00

Diesel



8140.67.2585

4 Cyl.

18.5:1

2500cc

55kW (75)PS

TD12193

1467

TB701 153x30 →06/96	TBK039 →06/96 Component No:TB701;AE1010GP		KIT		
TB368 152x30 07/96 →, HNBR	TBK037 07/96 → Component No:TB368; AE1011TP;AE1010GP				

	OE			H		
V91939 ■ 43.50 x 8.00 x 122.00			30°	H	VAG92369 ■ ■ ■ 60.00 x 8.00 x 13.07	
V91940 ■ 36.70 x 8.00 x 122.00			45°	H	VAG92373 ■ ■ ■ 56.00 x 8.03 x 13.04	

							NP068 55.00x70.00x8.00mm FPM

741



93.00

Diesel



8140-07 Sofim

4 Cyl.

18:1

2500cc

55kW (75)PS

TD8524

1468

8140-27 IDS

4 Cyl.

18.5:1

2500cc

78kW (106)PS

Turbo

TD8530

1469

AY590 Fibre Composite, 1.400mm	DS381 ▲ [10]			JC054 ■ JC055 ■	JN594		NP068 55.00x70.00x8.00mm FPM



AY590

[10] With gaskets/seals

[10] Avec joints

[10] Con guarnizioni

[10] Con juntas

742

93.00

Diesel



S8U 742 4 Cyl. 22:1 2500cc 55kW (75)PS TD5442 1472

MASTER 07/80→07/98

TB135 152x30 →09/90 Polychloroprene (Neoprene)	TBK045 →09/90 Component No:TB135; AE1011TP;AE1010GP				
TB368 152x30 09/90→, HNBR	TBK037 09/90→ Component No:TB368; AE1011TP;AE1010GP				

B x C x D	E x F x G
OE	
MAT.	
30°	Y
45°	
45°	H
45°	H

V91292 40.80 x 8.00 x 120.70	7701 463 603		30°	Y	H	VAG92444 56.00 x 8.00 x 13.04
V91293 34.50 x 8.00 x 122.00			45°			VAG92445 60.00 x 8.00 x 13.04
V91294 34.50 x 8.00 x 122.00			45°		H	VAG92369 60.00 x 8.00 x 13.07
V94481 36.50 x 8.00 x 122.00	7701 467 249		45°		H	VAG92373 56.00 x 8.03 x 13.04

BE580 Fibre Composite, 1.350mm	AY300 Fibre Composite, 1.700mm	HBS011	JC054 JC055	JN594	NPO68
		M12x1.25x119.00mm (x12)			55.00x70.00x8.00mm FPM



743



93.00

Diesel



S8U 750	4 Cyl.	22:1	2500cc	55kW (75)PS	TD5566	1464
S8U 752	4 Cyl.	22:1	2500cc	55kW (75)PS	TD5567	1464

TRAFIC 03/89→03/01

TB368 152x30 HNBR	TBK037 Component No:TB368; AE1011TP;AE1010GP		KIT		

B x C x D	E x F x G
V91292 ■ 40.80 x 8.00 x 120.70	VAG92444 ■ 56.00 x 8.00 x 13.04
V91293 ■ 34.50 x 8.00 x 122.00	VAG92445 ■ 60.00 x 8.00 x 13.04
V91294 ■ 34.50 x 8.00 x 122.00	VAG92369 ■ ■ 60.00 x 8.00 x 13.07
V94481 ■ 36.50 x 8.00 x 122.00	VAG92373 ■ ■ 56.00 x 8.03 x 13.04
OE: 7701 463 603	
MAT.:	
MB cr	30° Y H
MD	45°
MF cr	45° H
MG cr	45° H
OE: 7701 467 249	



BE580 Fibre Composite, 1.350mm	HBS011 Ⓞ M12x1.25x119.00mm (x12)	JC054 ■ JC055 ■	JN594	NPO68 55.00x70.00x8.00mm FPM
AY300 Fibre Composite, 1.700mm				



AY300



BE580

744

93.00

Diesel



S8U 758

4 Cyl.

22:1

2500cc

55kW (75)PS

TD9689

1473

TRAFIC

05/89→03/01

TB368 152x30 HNBR	TBK037 Component No:TB368; AE1011TP;AE1010GP	CAM718			

	OE	MAT.				
B x C x D						E x F x G
V91292	7701 463 603		30°	Y	H	VAG92444
40.80 x 8.00 x 120.70		MB cr				56.00 x 8.00 x 13.04
V91293			45°			VAG92445
34.50 x 8.00 x 122.00		MD				60.00 x 8.00 x 13.04
V91294			45°		H	VAG92369
34.50 x 8.00 x 122.00		MF cr				60.00 x 8.00 x 13.07
V94481	7701 467 249		45°		H	VAG92373
36.50 x 8.00 x 122.00		MG cr				56.00 x 8.03 x 13.04

BE580 Fibre Composite, 1.350mm			HBS011	JC054	JN956		NP068
AY300 Fibre Composite, 1.700mm			M12x1.25x119.00mm (x12)	JC055			55.00x70.00x8.00mm FPM



AY300



BE580

745



93.00

Diesel

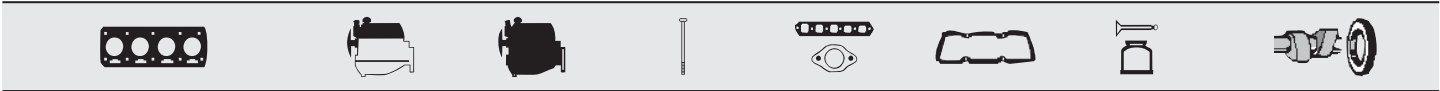


S8U 762 4 Cyl. 22:1 2500cc 85kW (115)PS Turbo Intercooled TD3415 1474

SAFRANE 12/92→07/96

TB448					
95x19					

	OE	MAT.				
B x C x D						E x F x G
V91292	7701 463 603		30°	Y	H	VAG92444
40.80 x 8.00 x 120.70		MB cr				56.00 x 8.00 x 13.04
V91293			45°			VAG92445
34.50 x 8.00 x 122.00		MD				60.00 x 8.00 x 13.04
V91294			45°		H	VAG92369
34.50 x 8.00 x 122.00		MF cr				60.00 x 8.00 x 13.07
V94481	7701 467 249		45°		H	VAG92373
36.50 x 8.00 x 122.00		MG cr				56.00 x 8.03 x 13.04



BE580 Fibre Composite, 1.350mm		HBS011	JC054	JN969	NP068
AY300 Fibre Composite, 1.700mm		M12x1.25x119.00mm (x12)	JC055		55.00x70.00x8.00mm FPM



AY300



BE580

746

 93.00

Diesel



S8U 763

4 Cyl.

21:1

2500cc

83kW (113)PS







Turbo Intercooled

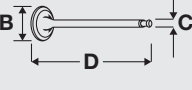



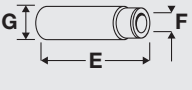
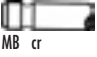

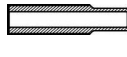
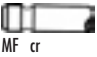



TD3416





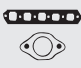
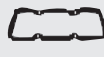





1474

SAFRANE

12/92→07/96

					
TB448 95x19					

	OE	MAT.				
B x C x D						E x F x G
V91292 	7701 463 603		30°	Y	H	VAG92444 
40.80 x 8.00 x 120.70						56.00 x 8.00 x 13.04
V91294 			45°		H	VAG92445 
34.50 x 8.00 x 122.00						60.00 x 8.00 x 13.04
						VAG92369 
						60.00 x 8.00 x 13.07
						VAG92373 
						56.00 x 8.03 x 13.04

							
BE580 Fibre Composite, 1.350mm			HBS011 	JC054 	JN969		NP068
AY300 Fibre Composite, 1.700mm			M12x1.25x119.00mm (x12)	JC055 			55.00x70.00x8.00mm FPM



AY300



BE580

RENAULT/DACIA

747



93.00

Diesel



S8U 770 4 Cyl. 22:1 2500cc 59kW (80)PS TD13409 1475

MASTER 07/98→01/01

TB368 152x30 HNBR	TBK037 Component No:TB368; AE1011TP;AE1010GP	CAM718			

B x C x D	OE	MAT.	E x F x G
V91292 ■ 40.80 x 8.00 x 120.70	7701 463 603	 MB cr	VAG92444 ■ 56.00 x 8.00 x 13.04
V90404 ■ 33.00 x 8.00 x 122.00		 MG	VAG92445 ■ 60.00 x 8.00 x 13.04
V91293 ■ 34.50 x 8.00 x 122.00		 MD	VAG92369 ■ ■ 60.00 x 8.00 x 13.07
			VAG92373 ■ ■ 56.00 x 8.03 x 13.04

--	--	--	--	--	--	--	--

BE580 Fibre Composite, 1.350mm			HBS011 ① M12x1.25x119.00mm (x12)	JC054 ■ JC055 ■	JN956		NP068 55.00x70.00x8.00mm FPM
---------------------------------------	--	--	--	----------------------------------	--------------	--	--



AY300 BE580

748



93.00

Diesel



S8U 772 4 Cyl. 22.5:1 2500cc 59kW (80)PS TD23889 1453

--	--	--	--	--	--	--	--

BE580 Fibre Composite, 1.350mm			HBS011 ① M12x1.25x119.00mm (x12)	JC055 ■	JN956		NP068 55.00x70.00x8.00mm FPM
---------------------------------------	--	--	--	----------------	--------------	--	--



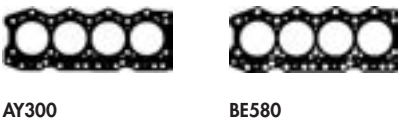
AY300 BE580

749	93.00	Diesel							
S8U 780	4 Cyl.	22:1	2500cc	55kW (75)PS				TD16328	1476
TRAFIC	05/98→03/01								

	.KIT		KIT				
		CAM718					

 B x C x D	OE	MAT.				 E x F x G
V91292	7701 463 603		30°	Y	H	VAG92444
40.80 x 8.00 x 120.70		MB cr				56.00 x 8.00 x 13.04
V91293			45°			VAG92445
34.50 x 8.00 x 122.00		MD				60.00 x 8.00 x 13.04
V91294			45°		H	VAG92369
34.50 x 8.00 x 122.00		MF cr				60.00 x 8.00 x 13.07
V94481	7701 467 249		45°		H	VAG92373
36.50 x 8.00 x 122.00		MG cr				56.00 x 8.03 x 13.04

BE580 Fibre Composite, 1.350mm			HBS011	JC054	JN956		NP068
AY300 Fibre Composite, 1.700mm			M12x1.25x119.00mm (x12)	JC055			55.00x70.00x8.00mm FPM



AY300 BE580

750	93.00	Diesel							
S8U 782	4 Cyl.	22:1	2500cc	55kW (75)PS				TD16329	1477

 B x C x D	OE	MAT.				 E x F x G
V91292	7701 463 603		30°	Y	H	VAG92444
40.80 x 8.00 x 120.70		MB cr				56.00 x 8.00 x 13.04
V91293			45°			VAG92445
34.50 x 8.00 x 122.00		MD				60.00 x 8.00 x 13.04
V91294			45°		H	VAG92369
34.50 x 8.00 x 122.00		MF cr				60.00 x 8.00 x 13.07
V94481	7701 467 249		45°		H	VAG92373
36.50 x 8.00 x 122.00		MG cr				56.00 x 8.03 x 13.04

BE580 Fibre Composite, 1.350mm			HBS011	JC054	JN956		NP068
AY300 Fibre Composite, 1.700mm			M12x1.25x119.00mm (x12)	JC055			55.00x70.00x8.00mm FPM



AY300 BE580

751



93.00

Diesel



S9U 700	4 Cyl.	2500cc	69kW (93)PS	Turbo	TD12734	1478	
S9U 704	4 Cyl.	17.5:1	2500cc	69kW (93)PS	Turbo	TD12733	1457

 B x C x D		OE	MAT.	 30° Y H	 E x F x G
V91292	7701 463 603		30° Y H	VAG92444	56.00 x 8.00 x 13.04
40.80 x 8.00 x 120.70		MB cr		VAG92445	60.00 x 8.00 x 13.04
V91293		MD	45°	VAG92369	60.00 x 8.00 x 13.07
34.50 x 8.00 x 122.00		MF cr	45° H	VAG92373	56.00 x 8.03 x 13.04
V91294		MG cr	45° H		
34.50 x 8.00 x 122.00	7701 467 249				
V94481					
36.50 x 8.00 x 122.00					

BR070 Fibre Composite, 1.200mm	DS381 ▲ [10]		HBS011	JC054	JN594		NP068
AY590 Fibre Composite, 1.400mm			M12x1.25x119.00mm (x12)	JC055			55.00x70.00x8.00mm FPM

BR070, AY590							
[10] With gaskets/seals	[10] Avec joints	[10] Con guarnizioni	[10] Con juntas				

752



93.00

Diesel



S9U 702	4 Cyl.	17.5:1	2500cc	72kW (98)PS	Turbo	TD12731	1452
S9U 714	4 Cyl.	17.5:1	2500cc	69kW (93)PS	Turbo	TD12732	1479

MASTER 08/89→07/98

TB701	TBK039		KIT			
153x30	Component No:TB701;AE1010GP					

 B x C x D		OE	MAT.	 30° Y H	 E x F x G
V91292	7701 463 603		30° Y H	VAG92444	56.00 x 8.00 x 13.04
40.80 x 8.00 x 120.70		MB cr		VAG92445	60.00 x 8.00 x 13.04
V91293		MD	45°	VAG92369	60.00 x 8.00 x 13.07
34.50 x 8.00 x 122.00		MF cr	45° H	VAG92373	56.00 x 8.03 x 13.04
V91294		MG cr	45° H		
34.50 x 8.00 x 122.00	7701 467 249				
V94481					
36.50 x 8.00 x 122.00					

BR070 Fibre Composite, 1.200mm	DS381 ▲ [10]		HBS011	JC054	JN594	NP068
AY590 Fibre Composite, 1.400mm			M12x1.25x119.00mm (x12)	JC055		55.00x70.00x8.00mm FPM

BR070, AY590						
[10] With gaskets/seals	[10] Avec joints	[10] Con guarnizioni	[10] Con juntas			

753	93.00	Diesel				
S9U 740	4 Cyl.	2500cc	69kW (93)PS	Turbo	TD12728	1480
MASTER 08/93→02/98						

TB701 153x30	TBK039 Component No:TB701;AE1010GP		KIT		

B x C x D	OE	MAT.			E x F x G	
V91292 ■ 40.80 x 8.00 x 120.70	7701 463 603		30°	Y	H	VAG92444 ■ 56.00 x 8.00 x 13.04
V91293 ■ 34.50 x 8.00 x 122.00			45°			VAG92445 ■ 60.00 x 8.00 x 13.04
V91294 ■ 34.50 x 8.00 x 122.00			45°		H	VAG92369 ■ ■ 60.00 x 8.00 x 13.07
V94481 ■ 36.50 x 8.00 x 122.00	7701 467 249		45°		H	VAG92373 ■ ■ 56.00 x 8.03 x 13.04

BR070 Fibre Composite, 1.200mm	DS381 ▲ [10]		HBS011 ◊ M12x1.25x119.00mm (x12)	JC054 ■ JC055 ■	JN956		NP068 55.00x70.00x8.00mm FPM
AY590 Fibre Composite, 1.400mm							



BR070, AY590
 [10] With gaskets/seals [10] Avec joints [10] Con guarnizioni [10] Con juntas

754	93.00	Petrol				
Z7X 722	V6 Cyl.	9.6:1	2963cc	125kW (170)PS	TD3453	1482
Z7X 760	V6 Cyl.	9.6:1	2963cc	123kW (167)PS	TD3458	1482

LAGUNA	11/93→03/01	SAFRANE	12/92→07/96
---------------	-------------	----------------	-------------

B x C x D	OE	MAT.			E x F x G	
V94183 ■ 39.00 x 8.00 x 111.70			45°	ss	H	VAG96055 ■ 48.40 x 8.04 x 13.08
						VAG96056 ■ 45.00 x 8.04 x 13.08

755	93.00	Petrol					
Z7X 726	V6 Cyl.	7.6:1	2963cc	193kW (262)PS	Turbo Intercooled	TD3455	1483
Z7X 775	V6 Cyl.	9.6:1	2963cc	123kW (167)PS		TD12228	1482

ESPACE	11/96→10/98	SAFRANE	02/93→07/96
---------------	-------------	----------------	-------------

			HBS127 ◊ M12x1.50x178.00mm (x16)				

RENAULT/DACIA

756



93.00

Petrol



Z7X 765 V6 Cyl. 9.6:1 2963cc 125kW (170)PS TD3459 1482

LAGUNA 11/93→03/01

<p>B x C x D</p>	OE	MAT.				<p>E x F x G</p>
V94183 39.00 x 8.00 x 111.70		 MG cr	45°	ss	H	VAG96055 48.40 x 8.04 x 13.08 VAG96056 45.00 x 8.04 x 13.08
			HBS127 M12x1.50x178.00mm (x16)			

757



94.40

Diesel



8140.43.3700 4 Cyl. 18.5:1 2798cc 85kW (116)PS TD22394 1487

<p>B x C x D</p>	OE	MAT.				<p>E x F x G</p>
V91292 40.80 x 8.00 x 120.70 V91994 35.80 x 8.00 x 121.90	7701 463 603	 MB cr MD cr	30°	Y	H	VAG92444 56.00 x 8.00 x 13.04 VAG92445 60.00 x 8.00 x 13.04 VAG92369 60.00 x 8.00 x 13.07 VAG92373 56.00 x 8.03 x 13.04

758



94.40

Diesel



8140.43N.3585 4 Cyl. 18.5:1 2798cc 107kW (146)PS TD17197 1491

TB713 123x27	TBK273 Component No:TB713;AE1156TP		KIT			
BX390 Fibre Composite, 1.200mm BX400 Fibre Composite, 1.300mm BX410 Fibre Composite, 1.400mm BX420 Fibre Composite, 1.500mm			HBS011 M12x1.25x119.00mm (x12)			NPO68 55.00x70.00x8.00mm FPM



BX390, BX400, BX410, BX420

759	94.40	Diesel				
8140.23.2565	4 Cyl.	18-18.5	2800cc	78kW (106)PS	TD17285	1485

B x C x D	OE	MAT.	30°	Y	H	E x F x G
V91292	7701 463 603	MB cr	30°			VAG92444
40.80 x 8.00 x 120.70						56.00 x 8.00 x 13.04
V91994		MD cr	45°			VAG92445
35.80 x 8.00 x 121.90						60.00 x 8.00 x 13.04
						VAG92369
						60.00 x 8.00 x 13.07
						VAG92373
						56.00 x 8.03 x 13.04

	DX390 [11]			JC054			NP068
	DX391 [10]						55.00x70.00x8.00mm FPM
[10] With gaskets/seals	[10] Avec joints	[10] Con guarnizioni	[10] Con juntas				
[11] Without gaskets/seals	[11] Sans joints	[11] Senza guarnizioni	[11] Sin juntas				

760	94.40	Diesel			
8140.23.2585	4 Cyl.	2800cc	78kW (106)PS	TD12194	1486

B x C x D	OE	MAT.	30°	Y	H	E x F x G
V91292	7701 463 603	MB cr	30°			VAG92444
40.80 x 8.00 x 120.70						56.00 x 8.00 x 13.04
V91994		MD cr	45°			VAG92445
35.80 x 8.00 x 121.90						60.00 x 8.00 x 13.04
						VAG92369
						60.00 x 8.00 x 13.07
						VAG92373
						56.00 x 8.03 x 13.04

BX390 Fibre Composite, 1.200mm	DX390 [11]	GX410 [10]	HBS011 (x4)	JC054 (x4)		HR602	NP068
BX400 Fibre Composite, 1.300mm	DX391 [10]		M12x1.25x119.00mm (x12)	JC055 (x4)			55.00x70.00x8.00mm FPM
BX410 Fibre Composite, 1.400mm							NP067
BX420 Fibre Composite, 1.500mm							50.00x70.00x10.00mm FPM



BX390, BX400, BX410, BX420

[10] With gaskets/seals	[10] Avec joints	[10] Con guarnizioni	[10] Con juntas
[11] Without gaskets/seals	[11] Sans joints	[11] Senza guarnizioni	[11] Sin juntas

RENAULT/DACIA

761



94.40

Diesel



8140.43.2585

4 Cyl.

18.5:1

2800cc

90kW (122)PS

TD12198

1486

TB558 154x30	TBK102 Component No:TB558;AE1010GP				

B x C x D	E x F x G
V91292 ■ 40.80 x 8.00 x 120.70	VAG92444 ■ 56.00 x 8.00 x 13.04
V91994 ■ 35.80 x 8.00 x 121.90	VAG92445 ■ 60.00 x 8.00 x 13.04
	VAG92369 ■ ■ 60.00 x 8.00 x 13.07
	VAG92373 ■ ■ 56.00 x 8.03 x 13.04

BX390 Fibre Composite, 1.200mm BX400 Fibre Composite, 1.300mm BX410 Fibre Composite, 1.400mm BX420 Fibre Composite, 1.500mm	DX391 ▲ [10]	GX410 ▲ [10]	HBS011 ⊕ M12x1.25x119.00mm (x12)	JC054 ■ (x4) JC055 ■ (x4)	JN956	HR602 ■	NP068 55.00x70.00x8.00mm FPM



BX390, BX400, BX410, BX420
 [10] With gaskets/seals [10] Avec joints [10] Con guarnizioni [10] Con juntas

762



94.40

Diesel



8140.43.B.3586

4 Cyl.

2800cc

78kW (106)PS

TD17194

1488

8140.43.B.3588

4 Cyl.

2800cc

78kW (106)PS

TD17195

1488

TB368 152x30 HNBR	TBK037 Component No:TB368; AE1011TP;AE1010GP				

BX390 Fibre Composite, 1.200mm BX400 Fibre Composite, 1.300mm BX410 Fibre Composite, 1.400mm BX420 Fibre Composite, 1.500mm			HBS011 ⊕ M12x1.25x119.00mm (x12)	JC054 ■ JC055 ■ (x4)	JN956	HR602 ■	NP068 55.00x70.00x8.00mm FPM



BX390, BX400, BX410, BX420

763

94.40

Diesel



8140.43.C.2586

4 Cyl.

2800cc

78kW (106)PS

TD14090

1489

TB558 154x30	TBK102 Component No:TB558;AE1010GP				

B x C x D	E x F x G
V91292	VAG92444
40.80 x 8.00 x 120.70	56.00 x 8.00 x 13.04
V91994	VAG92445
35.80 x 8.00 x 121.90	60.00 x 8.00 x 13.04
V91994	VAG92369
	60.00 x 8.00 x 13.07
	VAG92373
	56.00 x 8.03 x 13.04

BX390 Fibre Composite, 1.200mm	HBS011 M12x1.25x119.00mm (x12)	JC054 JC055 (x4)	JN956	HR602
BX400 Fibre Composite, 1.300mm				NPO68 55.00x70.00x8.00mm FPM
BX410 Fibre Composite, 1.400mm				
BX420 Fibre Composite, 1.500mm				



BX390, BX400, BX410, BX420

RENAULT/DACIA

764



94.40

Diesel



8140.43.S.2585

4 Cyl.

2800cc

92kW (125)PS

TD14091

1488

TB368 152x30 HNBR	TBK037 Component No:TB368; AE1011TP;AE1010GP		KIT		

B x C x D	E x F x G
V91292 ■ 40.80 x 8.00 x 120.70	VAG92444 ■ 56.00 x 8.00 x 13.04
V91994 ■ 35.80 x 8.00 x 121.90	VAG92445 ■ 60.00 x 8.00 x 13.04
	VAG92369 ■ ■ 60.00 x 8.00 x 13.07
	VAG92373 ■ ■ 56.00 x 8.03 x 13.04

BX390 Fibre Composite, 1.200mm BX400 Fibre Composite, 1.300mm BX410 Fibre Composite, 1.400mm BX420 Fibre Composite, 1.500mm	DX400 ▲ [10]	GX410 ▲ [10]	HBS011 Ⓢ M12x1.25x119.00mm (x12)	JC054 ■ (x4) JC055 ■ (x4)	JN956	HR602 ■	NP068 55.00x70.00x8.00mm FPM



BX390, BX400, BX410, BX420

[10] With gaskets/seals

[10] Avec joints

[10] Con guarnizioni

[10] Con juntas

765



94.40

Diesel



8140.43.S.3585

4 Cyl.

2800cc

92kW (125)PS

TD17196

1490

TB368 152x30 HNBR	TBK037 Component No:TB368; AE1011TP;AE1010GP		KIT		

BX390 Fibre Composite, 1.200mm BX400 Fibre Composite, 1.300mm BX410 Fibre Composite, 1.400mm BX420 Fibre Composite, 1.500mm	DX400 ▲ [10]	GX410 ▲ [10]	HBS011 Ⓢ M12x1.25x119.00mm (x12)	JC054 ■ (x4) JC055 ■ (x4)	JN956	HR602 ■	NP068 55.00x70.00x8.00mm FPM



BX390, BX400, BX410, BX420

[10] With gaskets/seals

[10] Avec joints

[10] Con guarnizioni

[10] Con juntas

766	94.40	Diesel							
8140.63.2585	4 Cyl.	21:1	2800cc	63kW (86)PS				TD14089	1492
AY680 Fibre Composite, 1.600mm AY690 Fibre Composite, 1.700mm AY700 Fibre Composite, 1.800mm	CY680 ▲ [10]			JC054 ■ (x4) JC055 ■ (x4)	JP069	HR602 ■	NPO68 55.00x70.00x8.00mm FPM		
AY680, AY690, AY700	[10] With gaskets/seals	[10] Avec joints	[10] Con guarnizioni	[10] Con juntas					

767	94.40	Diesel							
8140-43 k	4 Cyl.	18.5:1	2800cc	103kW (140)PS				TD16211	1493
TB713 123x27	TBK273 Component No:TB713;AE1156TP								
B x C x D	OE	MAT.							
V91292 ■ 40.80 x 8.00 x 120.70	7701 463 603		30°	Y	H		VAG92444 ■ 56.00 x 8.00 x 13.04		
V91994 ■ 35.80 x 8.00 x 121.90			45°				VAG92445 ■ 60.00 x 8.00 x 13.04		
							VAG92369 ■ ■ 60.00 x 8.00 x 13.07		
							VAG92373 ■ ■ 56.00 x 8.03 x 13.04		

BX390 Fibre Composite, 1.200mm BX400 Fibre Composite, 1.300mm BX410 Fibre Composite, 1.400mm BX420 Fibre Composite, 1.500mm	DX400 ▲ [10]	GX410 ▲ [10]	HBS011 ⊕ M12x1.25x119.00mm (x12)	JC054 ■ (x4) JC055 ■ (x4)	JN956	HR602 ■	NPO68 55.00x70.00x8.00mm FPM		
BX390, BX400, BX410, BX420	[10] With gaskets/seals	[10] Avec joints	[10] Con guarnizioni	[10] Con juntas					

768	94.40	Diesel							
S9W 700	4 Cyl.	19:1	2800cc	84kW (114)PS		Turbo		TD19362	1494
				JC054 ■					NPO68 55.00x70.00x8.00mm FPM

RENAULT/DACIA

769



94.40

Diesel



S9W 702 4 Cyl. 19:1 2800cc 84kW (114)PS Turbo TD13408 1495

MASTER 07/98→10/01

TB558 154x30	TBK102 Component No:TB558;AE1010GP	CAM681			FOL169 (x8) [1]

[1] Mechanical [1] Mécanique [1] Meccanico [1] Mecánico

B x C x D	OE	MAT.	30°	Y	H	E x F x G
V91292 ■ 40.80 x 8.00 x 120.70	7701 463 603		45°			VAG92444 ■ 56.00 x 8.00 x 13.04
V91994 ■ 35.80 x 8.00 x 121.90						VAG92445 ■ 60.00 x 8.00 x 13.04
						VAG92369 ■ ■ 60.00 x 8.00 x 13.07
						VAG92373 ■ ■ 56.00 x 8.03 x 13.04

BX390 Fibre Composite, 1.200mm BX400 Fibre Composite, 1.300mm BX410 Fibre Composite, 1.400mm BX420 Fibre Composite, 1.500mm	DX391 ▲ [10]	GX410 ▲ [10]	HBS011 ① M12x1.25x119.00mm (x12)	JC054 ■ (x4) JC055 ■ (x4)	JN956	HR602 ■	NP067 50.00x70.00x10.00mm FPM



BX390, BX400, BX410, BX420

[10] With gaskets/seals [10] Avec joints [10] Con guarnizioni [10] Con juntas

770



95.50

Petrol



V4Y 701 V6 Cyl. 10.3:1 3498cc 177kW (240)PS TD16287 1496
V4Y 711 V6 Cyl. 10.3:1 3498cc 177kW (240)PS TD16708 1496



ESPACE 11/02→ VEL SATIS 06/02→













AE5910 MLS ■ AG6130 MLS ■					JM5317 ■		

















AE5910

AG6130

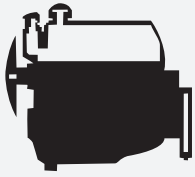
771	 95.50	Petrol			
V4Y 713 Euro 4	V6 Cyl.	10.3:1	3498cc	175kW (238)PS	TD23714
LAGUNA	04/08 →				

							
AH6760 MLS, 0.58mm  [19]							
AH6770 MLS, 0.58mm  [19]							
							
AH6760	AH6770						
[19] Diameter [mm]: 96	[19] Diamètre [mm]: 96	[19] Diametro [mm]: 96	[19] Diámetro [mm]: 96				

772	 95.50	Petrol				
V4Y 715 Euro 4	V6 Cyl.	10.3:1	3498cc	177kW (241)PS	TD21196	1496
ESPACE	11/02 →	VEL SATIS	10/04 →			

							
AE5910 MLS 					JM5317		
AG6130 MLS 							
							
AE5910	AG6130						

BOTTOM ENGINE APPLICATIONS



MOTORBLOCKANWENDUNGEN

APPLICAZIONI BASSA INFERIORE DEL MOTORE

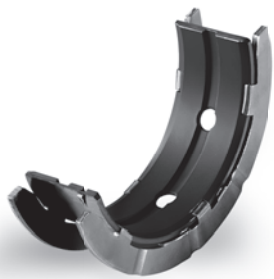
APPLICATIONS BAS MOTEUR

APLICACIONES PARA LA PARTE INFERIOR DEL MOTOR

DÓŁ SILNIKA

ДЕТАЛИ НИЖНЕЙ ЧАСТИ ДВИГАТЕЛЯ

تطبيقات المحرك السفلية



 **GLYCO**[®]



 **GOETZE**[®]



Niral[®]
FITTED WITH  **GOETZE**[®] RINGS



 **Payen**[®]

CITROEN/PEUGEOT

773	66.00	Petrol				
A 53	2 Cyl.	7:1	425cc	12kW (16)PS	TD5088	1
A79/0 (AYA)	2 Cyl.	7:1	425cc	13kW (18)PS	TD5085	2
2 CV	03/63→02/70	DYANE	08/67→03/68			

	PA217 16.30x22.00x2.000mm	NF812 30.00x42.00x8.00mm, ACM

774	69.60	Diesel			
199 A9.000	4 Cyl.	17.6:1	1248cc	55kW (75)PS	TD26979
BIPPER	10/10→	BIPPER Tepee	10/10→		

	08-435700-00 STD 08-435706-00 0.40mm 1.50 GDC P 1.50 P 2.00 CR P 		







BE/PL	4	42.582/42.600	45.734/45.744	20.000	1.552	0.030/0.062	BS	71-4033	71-4033/4 STD .010
MB/HL 1,2,4,5	4	50.982/51.000	54.710/54.722	19.000	1.840	0.026/0.050	AL-LF	02-4034	H1011/5 STD
MB/HL 3	1	50.982/51.000	54.710/54.722	23.950	1.840	0.026/0.050	AL-LF	02-4035H	
SE/PB	1	23.000	25.747/25.772	25.000			BS-LF	55-4077	55-4077 SEMI



		NA5230 78.00x100.00x9.00mm, PTFE

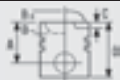


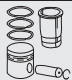



775	69.60	Diesel		
F13DTE5 (FHZ)	4 Cyl.	1248cc	55kW (75)PS	TD25689
NEMO	10/10→			











BE/PL	4	42.582/42.600	45.734/45.744	20.000	1.552	0.030/0.062	BS	71-4033	71-4033/4 STD .010
MB/HL 1,2,4,5	4	50.982/51.000	54.710/54.722	19.000	1.840	0.026/0.050	AL-LF	02-4034	H1011/5 STD
MB/HL 3	1	50.982/51.000	54.710/54.722	23.950	1.840	0.026/0.050	AL-LF	02-4035H	
SE/PB	1	23.000	25.747/25.772	25.000			BS-LF	55-4077	55-4077 SEMI

...Continued





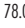
775	 69.60	Diesel
		
		NA5223  40.00x52.00x7.00mm, FPM NA5230  78.00x100.00x9.00mm, PTFE

776	 70.00	Petrol				
108 (XV3)	4 Cyl.	9.3:1	954cc	24kW (32)PS	TD2892	3
108 (XV5)	4 Cyl.	9.3:1	954cc	26kW (35)PS	TD2893	4
104	10/72 → 10/83					

			
08-317300-00 STD 2.00  CR P 2.00  P 4.00  CR [26]			
[26] Steel	[26] Acier	[26] Acciaio	[26] Acero

									
BE/PL	4	44.975/44.991	48.655/48.671	19.750	1.820	0.024/0.081	AL-LF	62045RA	01-4173/4 STD 0.30 0.50
MB/HL 2,4	2	49.965/49.981	53.655/53.674	17.290	1.832	0.020/0.070	AL-LF	62046RA	H996/5 STD 0.30 0.50
MB/HL 1,3,5	3	49.965/49.981	53.655/53.674	17.290	1.832	0.020/0.070	AL-LF	62047RA	
TW/A	2	55.250/55.500	71.450/71.700		2.350		BS	62047BF	A202/2 STD 0.15
→03/81									
TW/A	2	55.250/55.500	71.450/71.700		2.450		BS	62047BFA	A203/2 STD 0.10
04/81 →									



		
EH950 [41] [42]	PA349 22.00x16.00x2.000mm	NF678  35.00x50.00x8.00mm, ACM NF641  78.00x100.00x10.00mm, MVQ
[41] Supplementary Article/Supplementary Info 2: With cylinder sleeve ring [42] Supplementary Article/Supplementary Info: with gaskets/seals	[41] Article complémentaire / Info complémentaire 2: avec deux bagues de chemises de cylindre [42] Article complémentaire / Info complémentaire: avec joints	[41] Artículo complementario/ Información complementaria 2: con segmentos para camisa Con anello tenuta canna cilindro [42] Artículo complementario/Información complementaria: con juntas integrativa: con guarnizioni

CITROEN/PEUGEOT

777

70.00
Petrol


108C	4 Cyl.	9.3:1	954cc	32kW (44)PS	TD6560	5
LNA	07/84→10/86					

BE/PL	4	44.975/44.991	48.655/48.671	19.750	1.820	0.024/0.081	AL-LF	62045RA	01-4173/4 STD 0.30 0.50
MB/HL 2,4	2	49.965/49.981	53.655/53.674	17.290	1.832	0.020/0.070	AL-LF	62046RA	H996/5 STD 0.30 0.50
MB/HL 1,3,5	3	49.965/49.981	53.655/53.674	17.290	1.832	0.020/0.070	AL-LF	62047RA	
TW/A	2	55.250/55.500	71.450/71.700		2.450		BS	62047BFA	A203/2 STD 0.10

		NF678 35.00x50.00x8.00mm, ACM

778

70.00
Petrol


108C (XV8)	4 Cyl.	9.3:1	954cc	33kW (45)PS	TD2894	6
104	09/83→06/88					
	205		02/83→10/87			

	08-317300-00 STD		
	2.00 CR P		
	2.00 P		
	4.00 CR [26]		

[26] Steel [26] Acier [26] Acciaio [26] Acero

BE/PL	4	44.975/44.991	48.655/48.671	19.750	1.820	0.024/0.081	AL-LF	62045RA	01-4173/4 STD 0.30 0.50
MB/HL 2-4	3	49.965/49.981	53.655/53.674	17.290	1.832	0.020/0.070	AL-LF	1261RA	H1071/5 STD 0.30 0.50
MB/HL 1,5	2	49.965/49.981	53.655/53.674	17.290	1.832	0.020/0.070	AL-LF	1262RA	
01/85→									
TW/A	2	55.250/55.500	71.450/71.700		2.450		BS	62047BFA	A203/2 STD 0.10

		NF678 35.00x50.00x8.00mm, ACM NF641 78.00x100.00x10.00mm, MVQ

779	70.00	Petrol				
C1A	4 Cyl.	9.4:1	954cc	32kW (45)PS	TD6559	7
C3A	4 Cyl.	9.4:1	954cc	33kW (45)PS	TD619	8
TU9K	4 Cyl.	8.8:1	954cc	37kW (50)PS	TD26984	5
AX	09/86→06/92	C15	11/92→07/96			

BE/PL	4	37.992/38.008	41.128/41.144	16.300	1.548	0.024/0.081	AL-LF	1260RAA	01-4123/4 STD 0.30	
MB/HL 2-4	3	49.965/49.981	53.655/53.674	17.290	1.832	0.020/0.070	AL-LF	1261RA	H1071/5 STD 0.30 0.50	
MB/HL 1,5	2	49.965/49.981	53.655/53.674	17.290	1.832	0.020/0.070	AL-LF	1262RA		
TW/A	2	55.250/55.500	71.450/71.700		2.450		BS	620478FA	A203/2 STD 0.10	

EH951 [41][43] EH952 [42]	JJ586 ⇒ PB852 16.00x24.00x1.500mm ⇒ PA349 22.00x16.00x2.000mm	NF870 42.00x66.00x6.00mm, FPM/ACM NF857 85.00x105.00x9.00mm, FPM/ACM NF850 85.00x105.00x8.00mm, FPM



JJ586



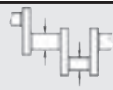
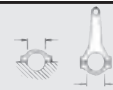






[41] Supplementary Article/Supplementary Info 2: With cylinder sleeve ring	[41] Article complémentaire / Info complémentaire 2: avec deux bagues de chemises de cylindre	[41] Artículo complementario/ Información complementaria 2: con segmentos para camisa	[41] Articolo complementare/Info integrativa 2: Con anello tenuta canna cilindro
[42] Supplementary Article/Supplementary Info: with gaskets/seals	[42] Article complémentaire / Info complémentaire: avec joints	[42] Artículo complementario/Información complementaria: con juntas	[42] Articolo complementare/Info integrativa: con guarnizioni
[43] Supplementary Article/Supplementary Info 2: without oil pan gasket	[43] Article complémentaire / Info complémentaire 2: sans joint de carter d'huile	[43] Artículo complementario/ Información complementaria 2: sin junta de cárter de aceite	[43] Articolo complementare/Info integrativa 2: Senza guarnizione coppa olio







780	70.00	Petrol				
TU9	4 Cyl.	8.8:1	954cc	33kW (45)PS	TD18545	7
TU9M (CDY)	4 Cyl.	9.4:1	954cc	33kW (45)PS	TD5095	9
TU9M (CDZ)	4 Cyl.	9.4:1	954cc	40kW (54)PS	TD10787	9
AX	07/86→12/98	C15	10/84→12/97	SAXO	05/96→06/03	

	08-154200-00 STD 08-154206-00 0.40mm 08-154208-00 0.60mm 01/87→ 1.50 CR P 1.50 P 3.00 CR [26]		
	08-317300-00 STD 2.00 CR P 2.00 P 4.00 CR [26]		

[26] Steel [26] Acier [26] Acciaio [26] Acero

780 70.00 Petrol

									
BE/PL	4	37.992/38.008	41.128/41.144	16.300	1.548	0.024/0.081	AL-LF	1260RAA	01-4123/4 STD 0.30
MB/HL 2-4	3	49.965/49.981	53.655/53.674	17.290	1.832	0.020/0.070	AL-LF	1261RA	H1071/5 STD 0.30 0.50
MB/HL 1,5	2	49.965/49.981	53.655/53.674	17.290	1.832	0.020/0.070	AL-LF	1262RA	
TW/A	2	55.250/55.500	71.450/71.700		2.450		BS	62047BFA	A203/2 STD 0.10

		
EH951 [41][43] EH952 [42]	JJ586 ≡PB852 16.00x24.00x1.500mm ≡PA349 22.00x16.00x2.000mm	NF870  42.00x66.00x6.00mm, FPM/ACM NF857  85.00x105.00x9.00mm, FPM/ACM NF850  85.00x105.00x8.00mm, FPM



JJ586

[41] Supplementary Article/Supplementary Info 2:
With cylinder sleeve ring

[42] Supplementary Article/Supplementary Info:
with gaskets/seals

[43] Supplementary Article/Supplementary Info 2:
without oil pan gasket

[41] Article complémentaire / Info complémentaire 2:
avec deux bagues de chemises de cylindre

[42] Article complémentaire /
Info complémentaire: avec joints

[43] Article complémentaire / Info
complémentaire 2: sans joint de carter d'huile

[41] Artículo complementario / Información
complementaria 2: con segmentos para camisa

[42] Artículo complementario/Información
complementaria: con juntas

[43] Artículo complementario / Información
complementaria 2: sin junta de cárter de aceite

[41] Articolo complementare/Info integrativa 2:
Con anello tenuta canna cilindro

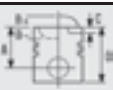






[42] Articolo complementare/Info
integrativa: con guarnizioni

[43] Articolo complementare/Info integrativa 2:
Senza guarnizione coppa olio

781 70.00 Petrol

TU9	4 Cyl.	9.4:1	954cc	33kW (45)PS	TD2783	7
TU9M (CDY)	4 Cyl.	9.4:1	954cc	37kW (50)PS	TD4841	9
TU9M (CDZ)	4 Cyl.	9.4:1	954cc	37kW (50)PS	TD9405	9

106 09/91→ **106 Van** 09/91→03/01 **205** 10/87→09/98



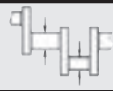
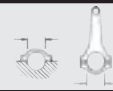






			
	08-154200-00 STD 08-154206-00 0.40mm 08-154208-00 0.60mm 1.50  CR P 1.50  P 3.00  CR [26]		

[26] Steel

[26] Acier








[26] Acciaio

[26] Acero

									
BE/PL	4	37.992/38.008	41.128/41.144	16.300	1.548	0.024/0.081	AL-LF	1260RAA	01-4123/4 STD 0.30
MB/HL 2-4	3	49.965/49.981	53.655/53.674	17.290	1.832	0.020/0.070	AL-LF	1261RA	H1071/5 STD 0.30 0.50
MB/HL 1,5	2	49.965/49.981	53.655/53.674	17.290	1.832	0.020/0.070	AL-LF	1262RA	
TW/A	2	55.250/55.500	71.450/71.700		2.450		BS	62047BFA	A203/2 STD 0.10

...Continued

781  **70.00** **Petrol**











		
<p>EH951 [41][43] EH952 [42]</p>	<p>JJ586 ⇒ PB852 16.00x24.00x1.500mm ⇒ PA349 22.00x16.00x2.000mm</p> 	<p>NF870  42.00x66.00x6.00mm, FPM/ACM NF857  85.00x105.00x9.00mm, FPM/ACM NF850  85.00x105.00x8.00mm, FPM</p>

JJ586



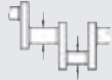







<p>[41] Supplementary Article/Supplementary Info 2: With cylinder sleeve ring [42] Supplementary Article/Supplementary Info: with gaskets/seals [43] Supplementary Article/Supplementary Info 2: without oil pan gasket</p>	<p>[41] Article complémentaire / Info complémentaire 2: avec deux bagues de chemises de cylindre [42] Article complémentaire / Info complémentaire: avec joints [43] Article complémentaire / Info complémentaire 2: sans joint de carter d'huile</p>	<p>[41] Artículo complementario/ Información complementaria 2: con segmentos para camisa [42] Artículo complementario/Información complementaria: con juntas [43] Artículo complementario/ Información complementaria 2: sin junta de cárter de aceite</p>	<p>[41] Articolo complementare/Info integrativa 2: Con anello tenuta canna cilindro [42] Articolo complementare/Info integrativa: con guarnizioni [43] Articolo complementare/Info integrativa 2: Senza guarnizione coppa olio</p>
---	---	--	--

782  **70.00** **Petrol** 

XV8	4 Cyl.	8.8:1	954cc	33kW (45)PS	TD18544	10
C15	10/84→12/97	VISA		09/84→06/88		

			
	<p>08-154200-00 STD 08-154206-00 0.40mm 08-154208-00 0.60mm 01/87→</p> <p>1.50  CR P 1.50  P 3.00  CR [26]</p> <hr/> <p>08-317300-00 STD 01/83→</p> <p>2.00  CR P 2.00  P 4.00  CR [26]</p>		

[26] Steel [26] Acier [26] Acciaio [26] Acero

									
BE/PL	4	44.975/44.991	48.655/48.671	19.750	1.820	0.024/0.081	AL-LF	62045RA	01-4173/4 STD 0.30 0.50
MB/HL 2-4	3	49.965/49.981	53.655/53.674	17.290	1.832	0.020/0.070	AL-LF	1261RA	H1071/5 STD 0.30 0.50
MB/HL 1,5	2	49.965/49.981	53.655/53.674	17.290	1.832	0.020/0.070	AL-LF	1262RA	
01/85→									
TW/A	2	55.250/55.500	71.450/71.700		2.450		BS	62047BFA	A203/2 STD 0.10

CITROEN/PEUGEOT

...Continued

782	70.00	Petrol
EH950 [41][42]	PA349 22.00x16.00x2.000mm	NF678 35.00x50.00x8.00mm, ACM NF641 78.00x100.00x10.00mm, MVQ
[41] Supplementary Article/Supplementary Info 2: With cylinder sleeve ring	[41] Article complémentaire / Info complémentaire 2: avec deux bagues de chemises de cylindre	[41] Artículo complementario/ Información complementaria 2: con segmentos para camisa
[42] Supplementary Article/Supplementary Info: with gaskets/seals	[42] Article complémentaire / Info complémentaire: avec joints	[42] Artículo complementario/Información complementaria: con juntas
		[41] Articolo complementare/Info integrativa 2: Con anello tenuta canna cilindro
		[42] Articolo complementare/Info integrativa: con guarnizioni

783	71.00	Petrol				
1KR-FE (CFA) (384F)	3 Cyl.	10.5:1	998cc	50kW (68)PS	TD25073	11
	08-439600-00 STD					
	1.00 CR [26]					
	1.00 [26]					
	1.50 PVD [26]					
[26] Steel	[26] Acier	[26] Acciaio	[26] Acero			

BE/PL	6	40.000	43.020	13.600	1.495	AL-LF	64-735-1	01-4980/3 STD	
MB/HL	4	43.990	48.020	14.900	1.997	AL-LF	63-735-1	H1338/4 STD	
MB/HL	4	43.990	48.020	14.900	1.997	AL-LF	63-735-2		
TW/A	2	52.000	63.000		1.990	AL-LF	65-735-1	A322/2 STD	

EG9310		

784	71.00	Petrol				
1KR-FE (CFA) (384F)	3 Cyl.	10.5:1	998cc	50kW (68)PS	TD18548	12
C1	06/05 →					

	08-439600-00 STD					
	1.00 CR [26]					
	1.00 [26]					
	1.50 PVD [26]					
[26] Steel	[26] Acier	[26] Acciaio	[26] Acero			

...Continued

784		71.00		Petrol					
BE/PL	6	40.000	43.020	13.600	1.495		AL-LF	64-735-1	01-4980/3 STD
MB/HL	4	43.990	48.020	14.900	1.997		AL-LF	63-735-1	H1338/4 STD
MB/HL	4	43.990	48.020	14.900	1.997		AL-LF	63-735-2	
TW/A	2	52.000	63.000		1.990		AL-LF	65-735-1	A322/2 STD
EG9310						NA5260 38.00x50.00x6.00mm, FPM			

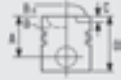
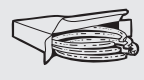


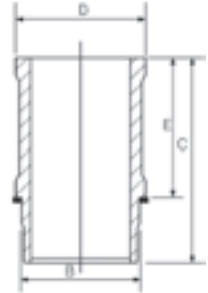
785		71.00		Petrol					
1KR-FE (CFA) (384F)		3 Cyl.	998cc	50kW (68)PS		TD20286 12			
107		06/05 →							











			08-439600-00 STD 1.00 CR [26] 1.00 [26] 1.50 PVD [26]						
[26] Steel	[26] Acier	[26] Acciaio	[26] Acero						

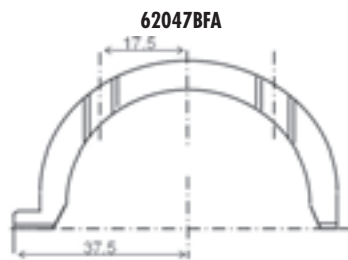
BE/PL	6	40.000	43.020	13.600	1.495		AL-LF	64-735-1	01-4980/3 STD
MB/HL	4	43.990	48.020	14.900	1.997		AL-LF	63-735-1	H1338/4 STD
MB/HL	4	43.990	48.020	14.900	1.997		AL-LF	63-735-2	
TW/A	2	52.000	63.000		1.990		AL-LF	65-735-1	A322/2 STD
EG9310						NA5260 38.00x50.00x6.00mm, FPM			






786
 **72.00**
Petrol

109 (XW3)
4 Cyl.
9.2:1
1124cc
33kW (44)PS
TD2895
13
104
07/76→06/83

			
		14-636470-00 WH B 79.50 C 122.00 D 89.20 E 85.00	
			

									
BE/PL	4	44.975/44.991	48.655/48.671	19.750	1.820	0.024/0.081	AL-LF	62045RA	01-4173/4 STD 0.30 0.50
MB/HL 2,4	2	49.965/49.981	53.655/53.674	17.290	1.832	0.020/0.070	AL-LF	62046RA	H996/5 STD 0.30 0.50
MB/HL 1,3,5	3	49.965/49.981	53.655/53.674	17.290	1.832	0.020/0.070	AL-LF	62047RA	
TW/A	2	55.250/55.500	71.450/71.700		2.350		BS	62047BF	A202/2 STD 0.15
→03/81									
TW/A	2	55.250/55.500	71.450/71.700		2.450		BS	62047BFA	A203/2 STD 0.10
04/81→									



		
EH950 [41][42]		NF678  35.00x50.00x8.00mm, ACM NF641  78.00x100.00x10.00mm, MVQ
[41] Supplementary Article/Supplementary Info 2: With cylinder sleeve ring	[41] Article complémentaire / Info complémentaire 2: avec deux bagues de chemises de cylindre	[41] Artículo complementario/ Información complementaria 2: con segmentos para camisa
[42] Supplementary Article/Supplementary Info: with gaskets/seals	[42] Article complémentaire / Info complémentaire: avec joints	[42] Artículo complementario/Información complementaria: con juntas
		[41] Articolo complementare/Info integrativa 2: Con anello tenuta canna cilindro
		[42] Articolo complementare/Info integrativa: con guarnizioni

787



72.00

Petrol



109/5 4 Cyl. 1124cc 37kW (50)PS TD564 14

VISA 09/78→03/91

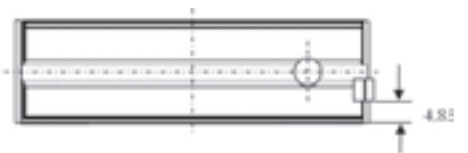
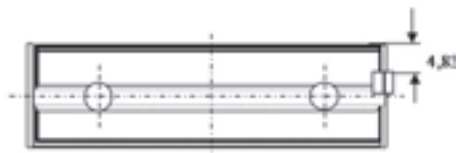
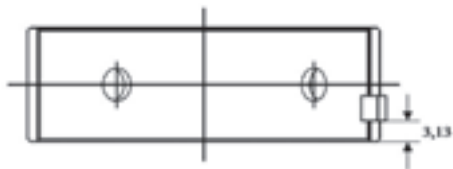
		<p>14-636470-00 WH B 79.50 C 122.00 D 89.20 E 85.00</p>	

BE/PL	4	44.975/44.991	48.655/48.671	19.750	1.820	0.024/0.081	AL-LF	62045RA	01-4173/4 STD 0.30 0.50
MB/HL 2,4	3	49.965/49.981	53.655/53.674	17.290	1.832	0.020/0.070	AL-LF	1261RA	H1071/5 STD 0.30 0.50
MB/HL 1,5	2	49.965/49.981	53.655/53.674	17.290	1.832	0.020/0.070	AL-LF	1262RA	
01/85 →									
MB/HL 2,4	2	49.965/49.981	53.655/53.674	17.290	1.832	0.020/0.070	AL-LF	62046RA	H996/5 STD 0.30 0.50
MB/HL 1,3,5	3	49.965/49.981	53.655/53.674	17.290	1.832	0.020/0.070	AL-LF	62047RA	
07/82 → 12/84									

1261RA

1262RA

62046RA













62047RA

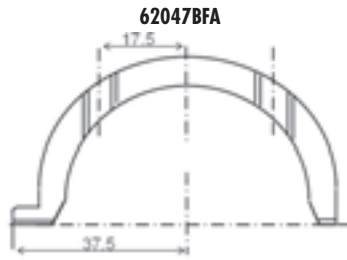





CITROEN/PEUGEOT

...Continued

787 72.00 Petrol



									
TW/A	2	55.250/55.500	71.450/71.700		2.350		BS	62047BF	A202/2 STD 0.15
→03/81									
TW/A	2	55.250/55.500	71.450/71.700		2.450		BS	62047BFA	A203/2 STD 0.10
04/81→									



		
---	---	---

EH950 [41][42]

PA349
22.00x16.00x2.000mm

NF678  35.00x50.00x8.00mm, ACM
NF641  78.00x100.00x10.00mm, MVQ

[41] Supplementary Article/Supplementary Info 2:
With cylinder sleeve ring

[41] Article complémentaire / Info complémentaire 2:
avec deux bagues de chemises de cylindre

[41] Artículo complementario/ Información
complementaria 2: con segmentos para camisa

[41] Articolo complementare/Info integrativa 2:
Con anello tenuta canna cilindro

[42] Supplementary Article/Supplementary Info:
with gaskets/seals





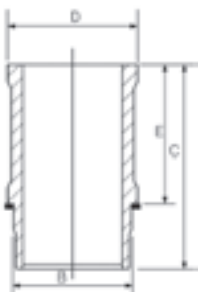
[42] Article complémentaire /
Info complémentaire: avec joints

[42] Artículo complementario/Información
complementaria: con juntas

[42] Articolo complementare/Info
integrativa: con guarnizioni



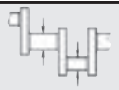
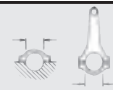






788 72.00 Petrol

109/5E	4 Cyl.	9.7:1	1124cc	33-50kW (45-50)PS	TD565	15
LNA	07/82→04/85					

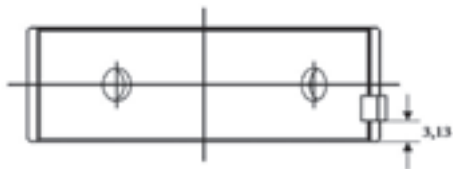
			
		<p>14-636470-00 WH B 79.50 C 122.00 D 89.20 E 85.00</p> 	

...Continued

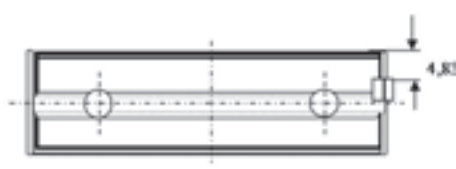
788  **72.00** **Petrol**

									
BE/PL	4	44.975/44.991	48.655/48.671	19.750	1.820	0.024/0.081	AL-LF	62045RA	01-4173/4 STD 0.30 0.50
MB/HL 2-4	3	49.965/49.981	53.655/53.674	17.290	1.832	0.020/0.070	AL-LF	1261RA	H1071/5 STD 0.30 0.50
MB/HL 1,5	2	49.965/49.981	53.655/53.674	17.290	1.832	0.020/0.070	AL-LF	1262RA	
01/85 →									
MB/HL 2,4	2	49.965/49.981	53.655/53.674	17.290	1.832	0.020/0.070	AL-LF	62046RA	H996/5 STD 0.30 0.50
MB/HL 1,3,5	3	49.965/49.981	53.655/53.674	17.290	1.832	0.020/0.070	AL-LF	62047RA	
→ 12/84									

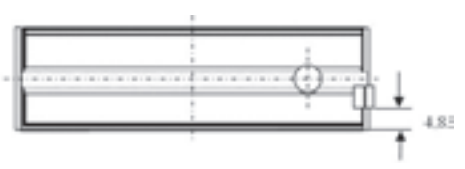
1261RA



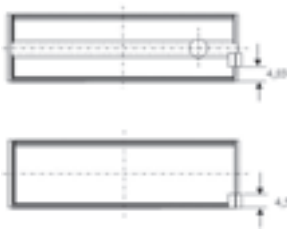
1262RA






62046RA



62047RA



TW/A	2	55.250/55.500	71.450/71.700	2.450	BS	62047BFA	A203/2 STD 0.10
------	---	---------------	---------------	-------	----	----------	---------------------------

		
---	---	---

EH950 [41][42]

PA349

22.00x16.00x2.000mm

NF678 35.00x50.00x8.00mm, ACM

NF641 78.00x100.00x10.00mm, MVQ

[41] Supplementary Article/Supplementary Info 2:
With cylinder sleeve ring

[42] Supplementary Article/Supplementary Info:
with gaskets/seals

[41] Article complémentaire / Info complémentaire 2:
avec deux bagues de chemises de cylindre

[42] Article complémentaire /
Info complémentaire: avec joints

[41] Artículo complementario/ Información
complementaria 2: con segmentos para camisa

[42] Artículo complementario/Información
complementaria: con juntas

[41] Articolo complementare/Info integrativa 2:
Con anello tenuta canna cilindro

[42] Articolo complementare/Info
integrativa: con guarnizioni

789

72.00
Petrol

109/5F

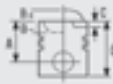
4 Cyl.

9.7:1

1124cc

33-37kW (45-50)PS
TD566
15
VISA

07/82 → 03/91


08-319400-00

STD

14-636470-00 WH
B 79.50 C 122.00 D 89.20 E 85.00

1.50



CR P

2.00

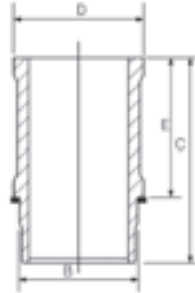


P

4.00



CR [26]



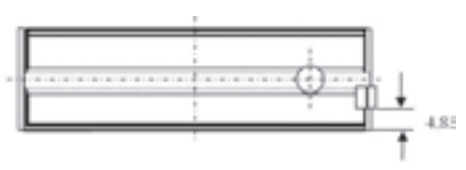
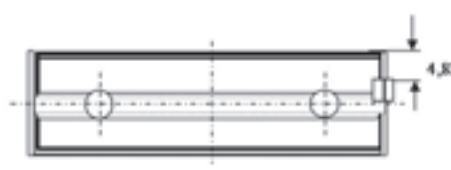
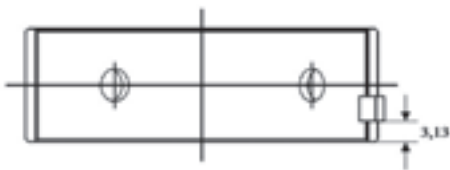
[26] Steel

[26] Acier

[26] Acciaio

[26] Acero






BE/PL	4	44.975/44.991	48.655/48.671	19.750	1.820	0.024/0.081	AL-LF	62045RA	01-4173/4 STD 0.30 0.50
MB/HL 2,4	3	49.965/49.981	53.655/53.674	17.290	1.832	0.020/0.070	AL-LF	1261RA	H1071/5 STD 0.30 0.50
MB/HL 1,5	2	49.965/49.981	53.655/53.674	17.290	1.832	0.020/0.070	AL-LF	1262RA	
01/85 →									
MB/HL 2,4	2	49.965/49.981	53.655/53.674	17.290	1.832	0.020/0.070	AL-LF	62046RA	H996/5 STD 0.30 0.50
MB/HL 1,3,5	3	49.965/49.981	53.655/53.674	17.290	1.832	0.020/0.070	AL-LF	62047RA	
→12/84									



1261RA
1262RA
62046RA

62047RA


TW/A	2	55.250/55.500	71.450/71.700		2.450		BS	62047BFA	A203/2 STD 0.10
------	---	---------------	---------------	--	-------	--	----	----------	---------------------------

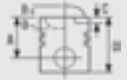

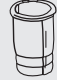




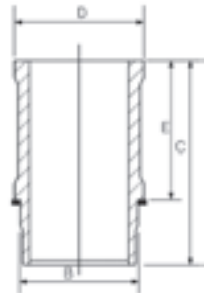
...Continued

789  **72.00** **Petrol**



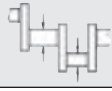
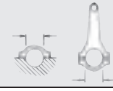






		
EH950 [41] [42] With cylinder sleeve ring [42] Supplementary Article/Supplementary Info: with gaskets/seals	PA349 22.00x16.00x2.000mm [41] Article complémentaire / Info complémentaire 2: avec deux bagues de chemises de cylindre [42] Article complémentaire / Info complémentaire: avec joints	NF678  35.00x50.00x8.00mm, ACM NF641  78.00x100.00x10.00mm, MVQ [41] Artículo complementario/ Información complementaria 2: con segmentos para camisa [42] Artículo complementario/Información complementaria: con juntas [41] Articolo complementare/Info integrativa 2: Con anello tenuta canna cilindro [42] Articolo complementare/Info integrativa: con guarnizioni

790  **72.00** **Petrol** 

109F (XW7)	4 Cyl.	10.2:1	1124cc	37kW (50)PS	TD2899	16
109K	4 Cyl.	9.7:1	1124cc	35kW (47)PS	TD563	15
104	08/79→06/88	205	02/83→10/87	C15	10/84→12/96	
VISA	09/78→06/88					

			
	08-319400-00 STD 1.50  CR P 2.00  P 4.00  CR [26]	14-636470-00 WH B 79.50 C 122.00 D 89.20 E 85.00 	

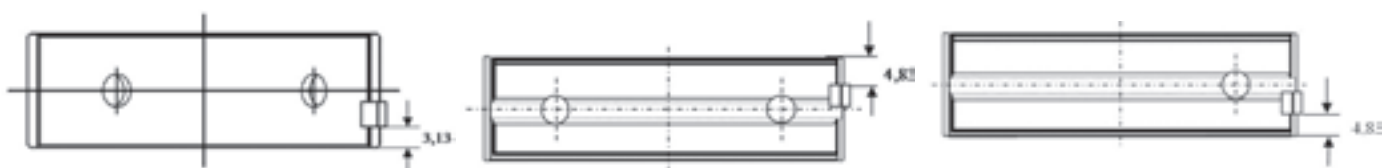
[26] Steel [26] Acier [26] Acciaio [26] Acero

									
BE/PL	4	44.975/44.991	48.655/48.671	19.750	1.820	0.024/0.081	AL-LF	62045RA	01-4173/4 STD 0.30 0.50
MB/HL 2.4	3	49.965/49.981	53.655/53.674	17.290	1.832	0.020/0.070	AL-LF	1261RA	H1071/5 STD 0.30 0.50
MB/HL 1,5	2	49.965/49.981	53.655/53.674	17.290	1.832	0.020/0.070	AL-LF	1262RA	
01/85 →									
MB/HL 2,4	2	49.965/49.981	53.655/53.674	17.290	1.832	0.020/0.070	AL-LF	62046RA	H996/5 STD 0.30 0.50
MB/HL 1,3,5	3	49.965/49.981	53.655/53.674	17.290	1.832	0.020/0.070	AL-LF	62047RA	
07/82 →12/84									

1261RA

1262RA

62046RA



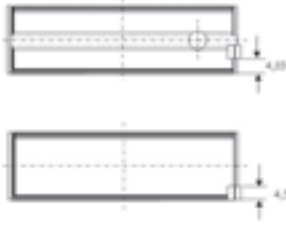
CITROEN/PEUGEOT

...Continued

790 72.00 Petrol



62047RA



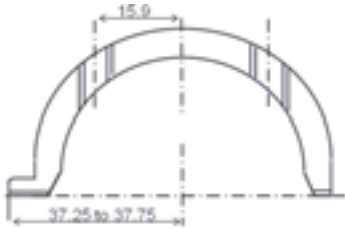
TW/A	2	55.250/55.500	71.450/71.700	2.350	BS	62047BF	A202/2 STD 0.15
------	---	---------------	---------------	-------	----	---------	--------------------

→03/81

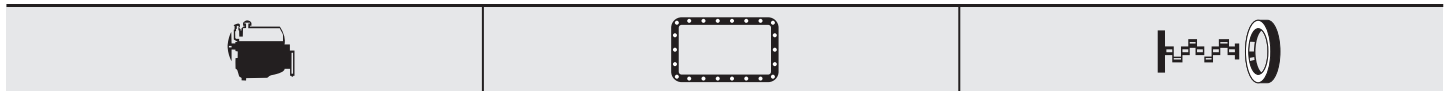
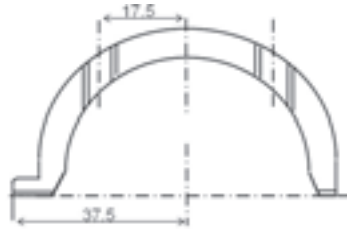
TW/A	2	55.250/55.500	71.450/71.700	2.450	BS	62047BFA	A203/2 STD 0.10
------	---	---------------	---------------	-------	----	----------	--------------------

04/81 →

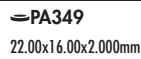
62047BF



62047BFA



 EH950 [41][42]

 PA349
22.00x16.00x2.000mm

 NF678 35.00x50.00x8.00mm, ACM
NF641 78.00x100.00x10.00mm, MVQ

[41] Supplementary Article/Supplementary Info 2:
With cylinder sleeve ring

[41] Article complémentaire / Info complémentaire 2:
avec deux bagues de chemises de cylindre

[41] Artículo complementario/ Información
complementaria 2: con segmentos para camisa

[41] Articolo complementare/Info integrativa 2:
Con anello tenuta canna cilindro

[42] Supplementary Article/Supplementary Info:
with gaskets/seals

[42] Article complémentaire /
Info complémentaire: avec joints

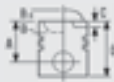
[42] Artículo complementario/Información
complementaria: con juntas




[42] Articolo complementare/Info
integrativa: con guarnizioni

791 72.00 Petrol

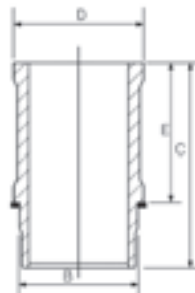
109N (XW7) 4 Cyl. 10.2:1 1124cc 36kW (49)PS TD2900 17

205 02/83 → 10/90



08-319400-00 STD
1.50  CR P
2.00  P
4.00  CR [26]

14-636470-00 WH
B 79.50 C 122.00 D 89.20 E 85.00



[26] Steel



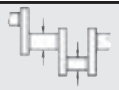
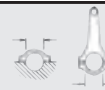






[26] Acier

[26] Acciaio

[26] Acero

...Continued

791  **72.00** **Petrol**

									
BE/PL	4	44.975/44.991	48.655/48.671	19.750	1.820	0.024/0.081	AL-LF	62045RA	01-4173/4 STD 0.30 0.50
MB/HL 2-4	3	49.965/49.981	53.655/53.674	17.290	1.832	0.020/0.070	AL-LF	1261RA	H1071/5 STD 0.30 0.50
MB/HL 1,5	2	49.965/49.981	53.655/53.674	17.290	1.832	0.020/0.070	AL-LF	1262RA	

01/85 →

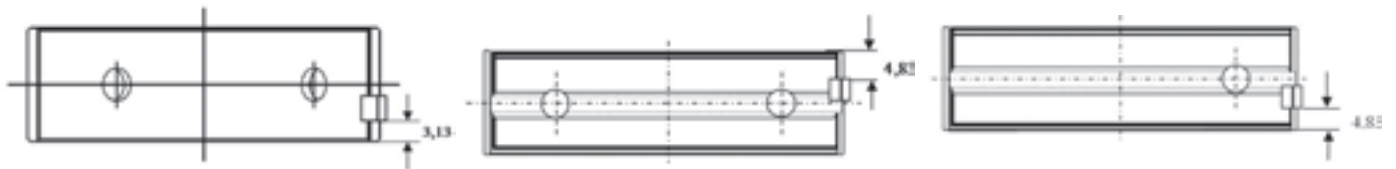
MB/HL 2,4	2	49.965/49.981	53.655/53.674	17.290	1.832	0.020/0.070	AL-LF	62046RA	H996/5 STD 0.30 0.50
MB/HL 1,3,5	3	49.965/49.981	53.655/53.674	17.290	1.832	0.020/0.070	AL-LF	62047RA	

07/82 → 12/84

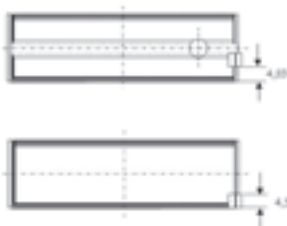
1261RA

1262RA




62046RA



62047RA



TW/A	2	55.250/55.500	71.450/71.700	2.450	BS	62047BFA	A203/2 STD 0.10
------	---	---------------	---------------	-------	----	----------	---------------------------

		
---	---	---

EH950 [41][42]

PA349

22.00x16.00x2.000mm

NF678 35.00x50.00x8.00mm, ACM

NF641 78.00x100.00x10.00mm, MVQ

[41] Supplementary Article/Supplementary Info 2:
With cylinder sleeve ring

[42] Supplementary Article/Supplementary Info:
with gaskets/seals

[41] Article complémentaire / Info complémentaire 2:
avec deux bagues de chemises de cylindre

[42] Article complémentaire /
Info complémentaire: avec joints

[41] Artículo complementario/ Información
complementaria 2: con segmentos para camisa

[42] Artículo complementario/Información
complementaria: con juntas

[41] Articolo complementare/Info integrativa 2:
Con anello tenuta canna cilindro

[42] Articolo complementare/Info
integrativa: con guarnizioni

CITROEN/PEUGEOT

792



72.00

Petrol



121 (XW3S)

4 Cyl.

9.7:1

1124cc

49kW (67)PS

TD2896

18

104

08/75→06/80

	08-319400-00 STD 1.50 CR P 2.00 P 4.00 CR [26]	14-636470-00 WH B 79.50 C 122.00 D 89.20 E 85.00 	

[26] Steel

[26] Acier

[26] Acciaio

[26] Acero

BE/PL	4	44.975/44.991	48.655/48.671	19.750	1.820	0.024/0.081	AL-LF	62045RA	01-4173/4 STD 0.30 0.50
MB/HL 2,4	2	49.965/49.981	53.655/53.674	17.290	1.832	0.020/0.070	AL-LF	62046RA	H996/5 STD 0.30 0.50
MB/HL 1,3,5	3	49.965/49.981	53.655/53.674	17.290	1.832	0.020/0.070	AL-LF	62047RA	
TW/A	2	55.250/55.500	71.450/71.700		2.350		BS	62047BF	A202/2 STD 0.15

EH950 [41][42]	PA349 22.00x16.00x2.000mm	NF678 35.00x50.00x8.00mm, ACM NF641 78.00x100.00x10.00mm, MVQ

[41] Supplementary Article/Supplementary Info 2:
With cylinder sleeve ring

[41] Article complémentaire / Info complémentaire 2:
avec deux bagues de chemises de cylindre

[41] Artículo complementario/ Información
complementaria 2: con segmentos para camisa

[41] Articolo complementare/Info integrativa 2:
Con anello tenuta canna cilindro

[42] Supplementary Article/Supplementary Info:
with gaskets/seals

[42] Article complémentaire /
Info complémentaire: avec joints

[42] Artículo complementario/Información
complementaria: con juntas

[42] Articolo complementare/Info
integrativa: con guarnizioni

793



72.00

Petrol



E1A

4 Cyl.

9.6:1

1124cc

40kW (54)PS

TD648

19

C15

10/84→12/96

	08-344500-00 STD 1.75 CR P 2.00 P 4.00 CR [26]	14-636470-00 WH B 79.50 C 122.00 D 89.20 E 85.00 	




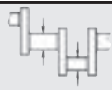
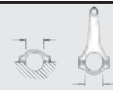






[26] Steel


[26] Acier


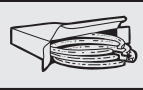



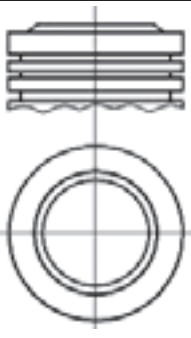



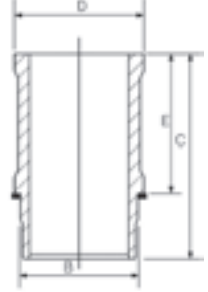
[26] Acciaio



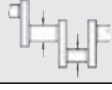
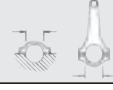






[26] Acero













...Continued

793		 72.00	Petrol							
										
BE/PL	4	44.975/44.991	48.655/48.671	19.750	1.820	0.024/0.081	AL-LF	62045RA	01-4173/4 STD 0.30 0.50	
MB/HL 2,4	2	49.965/49.981	53.655/53.674	17.290	1.832	0.020/0.070	AL-LF	62046RA	H996/5 STD 0.30 0.50	
MB/HL 1,3,5	3	49.965/49.981	53.655/53.674	17.290	1.832	0.020/0.070	AL-LF	62047RA		
TW/A	2	55.250/55.500	71.450/71.700		2.350		BS	62047BF	A202/2 STD 0.15	

794		 72.00	Petrol							
H1A	4 Cyl.	9.2:1	1124cc	40-44kW (54-60)PS		TD6562	20			
TU1 (H1B)	4 Cyl.	9.2:1	1124cc	40-44kW (55-60)PS		TD658	21			
TU1CP (HAZ)	4 Cyl.	9.2:1	1124cc	40kW (54)PS		TD5083	20			
TU1M (HDZ)	4 Cyl.	9.7:1	1124cc	40kW (54)PS		TD661	28			
AX	09/86→12/97	BERLINGO	07/96→	BX	10/86→06/92					
C15	07/88→12/96	SAXO	05/96→09/03	ZX	03/91→06/97					

			
87-154300-00 STD A 40.05 B+ 2.97 D 64.05  20x62	 08-154300-00 STD 08-154307-00 0.50mm 01/87→ 1.50  CR P 2.00  P 3.00  CR [26]	14-636470-00 WH B 79.50 C 122.00 D 89.20 E 85.00 	88-154300-00 87-154300-00 + 14-636470-00
[26] Steel	[26] Acier	[26] Acciaio	[26] Acero

										
BE/PL	4	44.975/44.991	48.655/48.671	19.750	1.820	0.024/0.081	AL-LF	62045RA	01-4173/4 STD 0.30 0.50	
MB/HL 2-4	3	49.965/49.981	53.655/53.674	17.290	1.832	0.020/0.070	AL-LF	1261RA	H1071/5 STD 0.50	
MB/HL 1,5	2	49.965/49.981	53.655/53.674	17.290	1.832	0.020/0.070	AL-LF	1262RA		
TW/A	2	55.250/55.500	71.450/71.700		2.450		BS	62047BFA	A203/2 STD 0.10	

794	 72.00	Petrol
		
 EH951 [41][43]  EH952 [42]	JJ586  PB852 16.00x24.00x1.500mm  PA349 22.00x16.00x2.000mm 	NF870  42.00x66.00x6.00mm, FPM/ACM NF857  85.00x105.00x9.00mm, FPM/ACM NF850  85.00x105.00x8.00mm, FPM



JJ586


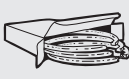


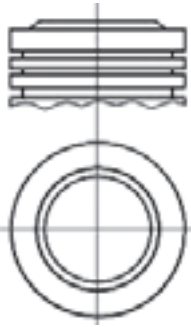


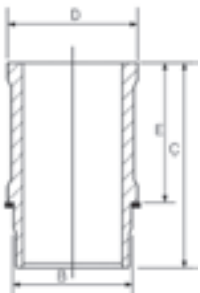

[41] Supplementary Article/Supplementary Info 2: With cylinder sleeve ring
 [42] Supplementary Article/Supplementary Info: with gaskets/seals
 [43] Supplementary Article/Supplementary Info 2: without oil pan gasket



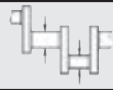
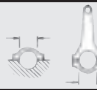







[41] Article complémentaire / Info complémentaire 2: avec deux bagues de chemises de cylindre
 [42] Article complémentaire / Info complémentaire: avec joints
 [43] Article complémentaire / Info complémentaire 2: sans joint de carter d'huile

[41] Artículo complementario/ Información complementaria 2: con segmentos para camisa
 [42] Artículo complementario/Información complementaria: con juntas
 [43] Artículo complementario/ Información complementaria 2: sin junta de cárter de aceite

[41] Articolo complementare/Info integrativa 2: Con anello tenuta canna cilindro
 [42] Articolo complementare/Info integrativa: con guarnizioni
 [43] Articolo complementare/Info integrativa 2: Senza guarnizione coppa olio










795	 72.00	Petrol				
TU1 (H1B)	4 Cyl.	9.4:1	1124cc	40kW (54)PS	TD2758	21
TU1M (HDY)	4 Cyl.	9.2:1	1124cc	40kW (54)PS	TD9404	27
TU1M (HDZ)	4 Cyl.	9.4:1	1124cc	44kW (60)PS	TD4834	28
106	09/91→	205	08/87→09/98	306	05/93→05/01	
309	09/89→12/93	PARTNER	06/96→			

			
87-154300-00 STD  A 40.05 B+ 2.97 D 64.05  20x62	08-154300-00 STD 08-154307-00 0.50mm  1.50 CR P 2.00 P 3.00 CR [26]	14-636470-00 WH B 79.50 C 122.00 D 89.20 E 85.00 	88-154300-00 87-154300-00 + 14-636470-00 
[26] Steel	[26] Acier	[26] Acciaio	[26] Acero

										
BE/PL	4	44.975/44.991	48.655/48.671	19.750	1.820	0.024/0.081	AL-LF	62045RA	01-4173/4 STD 0.30 0.50	
MB/HL 2-4	3	49.965/49.981	53.655/53.674	17.290	1.832	0.020/0.070	AL-LF	1261RA	H1071/5 STD 0.30 0.50	
MB/HL 1,5	2	49.965/49.981	53.655/53.674	17.290	1.832	0.020/0.070	AL-LF	1262RA		
TW/A	2	55.250/55.500	71.450/71.700		2.450		BS	62047BFA	A203/2 STD 0.10	

...Continued

795  **72.00** **Petrol**



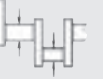







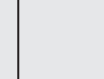

		
<p> EH951 [41][43]  EH952 [42]</p>	<p>JJ586 ⇒PB852 16.00x24.00x1.500mm ⇒PA349 22.00x16.00x2.000mm</p> 	<p>NF870  42.00x66.00x6.00mm, FPM/ACM NF857  85.00x105.00x9.00mm, FPM/ACM NF850  85.00x105.00x8.00mm, FPM</p>









JJ586

<p>[41] Supplementary Article/Supplementary Info 2: With cylinder sleeve ring [42] Supplementary Article/Supplementary Info: with gaskets/seals [43] Supplementary Article/Supplementary Info 2: without oil pan gasket</p>	<p>[41] Article complémentaire / Info complémentaire 2: avec deux bagues de chemises de cylindre [42] Article complémentaire / Info complémentaire: avec joints [43] Article complémentaire / Info complémentaire 2: sans joint de carter d'huile</p>	<p>[41] Artículo complementario/ Información complementaria 2: con segmentos para camisa [42] Artículo complementario/Información complementaria: con juntas [43] Artículo complementario/ Información complementaria 2: sin junta de cárter de aceite</p>	<p>[41] Articolo complementare/Info integrativa 2: Con anello tenuta canna cilindro [42] Articolo complementare/Info integrativa: con guarnizioni [43] Articolo complementare/Info integrativa 2: Senza guarnizione coppa olio</p>
---	---	--	--

796  **72.00** **Petrol** 

TUTA (HFX)	4 Cyl.	10.2:1	1124cc	44kW (60)PS	TD25640	22
206+	01/09→					

											
BE/PL	4	44.975/44.991	48.655/48.671	19.750	1.820	0.024/0.081	AL-LF	62045RA	01-4173/4 STD 0.30 0.50		
MB/HL 2-4	3	49.965/49.981	53.655/53.674	17.290	1.832	0.020/0.070	AL-LF	1261RA	H1071/5 STD 0.30 0.50		
MB/HL 1,5	2	49.965/49.981	53.655/53.674	17.290	1.832	0.020/0.070	AL-LF	1262RA			
TW/A	2	55.250/55.500	71.450/71.700		2.450		BS	62047BFA	A203/2 STD 0.10		

		
<p> EC5700</p>	<p>JJ586 ⇒PB852 16.00x24.00x1.500mm ⇒PA349 22.00x16.00x2.000mm</p> 	<p>NF870  42.00x66.00x6.00mm, FPM/ACM NF857  85.00x105.00x9.00mm, FPM/ACM NF850  85.00x105.00x8.00mm, FPM</p>

JJ586

CITROEN/PEUGEOT

797


72.00
Petrol


TU1AE5	4 Cyl.	10.2:1	1124cc	44kW (60)PS	TD25641	23
206+	01/09→					

BE/PL	4	44.975/44.991	48.655/48.671	19.750	1.820	0.024/0.081	AL-LF	62045RA	01-4173/4 STD 0.30 0.50
MB/HL 2-4	3	49.965/49.981	53.655/53.674	17.290	1.832	0.020/0.070	AL-LF	1261RA	H1071/5 STD 0.30 0.50
MB/HL 1,5	2	49.965/49.981	53.655/53.674	17.290	1.832	0.020/0.070	AL-LF	1262RA	
TW/A	2	55.250/55.500	71.450/71.700		2.450		BS	62047BFA	A203/2 STD 0.10

EH951 [41][43]	JJ586	NF870 42.00x66.00x6.00mm, FPM/ACM


JJ586

[41] Supplementary Article/Supplementary Info 2:
With cylinder sleeve ring

[43] Supplementary Article/Supplementary Info 2:
without oil pan gasket

[41] Article complémentaire / Info complémentaire 2:
avec deux bagues de chemises de cylindre

[43] Article complémentaire / Info
complémentaire 2: sans joint de carter d'huile

[41] Artículo complementario/ Información
complementaria 2: con segmentos para camisa

[43] Artículo complementario/ Información
complementaria 2: sin junta de cárter de aceite

[41] Articolo complementare/Info integrativa 2:
Con anello tenuta canna cilindro

[43] Articolo complementare/Info integrativa 2:
Senza guarnizione coppa olio

798



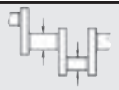
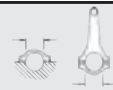







72.00
Petrol

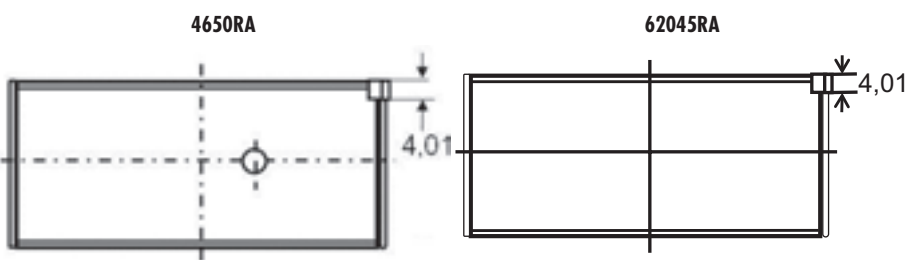

TU1JP (HFX)	4 Cyl.	10.5:1	1124cc	44kW (60)PS	TD14728	24
TU1JP (HFX)	4 Cyl.	10.5:1	1124cc	44kW (60)PS	TD14730	25
106	05/96→	206	09/98→	206+	01/09→	
BERLINGO	07/96→	C2	09/03→	C3	02/02→	
PARTNER	06/96→	SAXO	05/96→09/03			

87-426300-00	STD	08-426300-00	STD
A 27.70		1.50	NT
B+ 0.10		1.50	P
D 47.50		2.50	P
18x55			








...Continued



798  **72.00** **Petrol**

									
BE/PL	4	44.975/44.991	48.655/48.671	19.750	1.820	0.020/0.080	AL-LF	4650RA	01-4163/4 STD 0.25
10/97 →									
BE/PL	4	44.975/44.991	48.655/48.671	19.750	1.820	0.024/0.081	AL-LF	62045RA	01-4173/4 STD 0.30 0.50
→09/97									

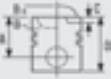




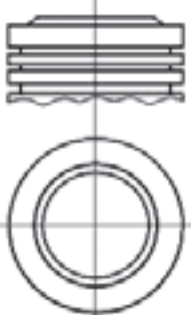





MB/HL 2-4	3	49.965/49.981	53.655/53.674	17.290	1.832	0.020/0.070	AL-LF	1261RA	H1071/5 STD 0.30 0.50
MB/HL 1,5	2	49.965/49.981	53.655/53.674	17.290	1.832	0.020/0.070	AL-LF	1262RA	
TW/A	2	55.250/55.500	71.450/71.700		2.450		BS	62047BFA	A203/2 STD 0.10

		
EC5700	JJ586 ⇒ PB852 16.00x24.00x1.500mm ⇒ PA349 22.00x16.00x2.000mm  JJ586	NF870  42.00x66.00x6.00mm, FPM/ACM NF857  85.00x105.00x9.00mm, FPM/ACM NF850  85.00x105.00x8.00mm, FPM

799  **72.00** **Petrol** 




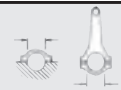






TU1JP (HFZ)	4 Cyl.	10.5:1	1124cc	44kW (60)PS	TD9848	26
--------------------	--------	--------	--------	--------------------	---------------	-----------








			
87-426300-00 STD	08-426300-00 STD		
A 27.70 B+ 0.10 D 47.50  18x55	 1.50  NT 1.50  P 2.50  P		

CITROEN/PEUGEOT

...Continued




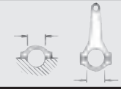






799  **72.00** **Petrol**








									
BE/PL	4	44.975/44.991	48.655/48.671	19.750	1.820	0.020/0.080	AL-LF	4650RA	01-4163/4 STD 0.25
MB/HL 2-4	3	49.965/49.981	53.655/53.674	17.290	1.832	0.020/0.070	AL-LF	1261RA	H1071/5 STD 0.30 0.50
MB/HL 1,5	2	49.965/49.981	53.655/53.674	17.290	1.832	0.020/0.070	AL-LF	1262RA	
TW/A	2	55.250/55.500	71.450/71.700		2.450		BS	62047BFA	A203/2 STD 0.10

		
EC5700	JJ586 =PB852 16.00x24.00x1.500mm =PA349 22.00x16.00x2.000mm 	NF870  42.00x66.00x6.00mm, FPM/ACM NF857  85.00x105.00x9.00mm, FPM/ACM NF850  85.00x105.00x8.00mm, FPM
	JJ586	

800  **72.00** **Petrol** 

TU1M+ (HDY)	4 Cyl.	9.2:1	1124cc	40kW (54)PS	TD26411
TU1M+ (HDZ)	4 Cyl.	9.4:1	1124cc	44kW (60)PS	TD26413

									
BE/PL	4	44.975/44.991	48.655/48.671	19.750	1.820	0.024/0.081	AL-LF	62045RA	01-4173/4 STD 0.30 0.50
MB/HL 2-4	3	49.965/49.981	53.655/53.674	17.290	1.832	0.020/0.070	AL-LF	1261RA	H1071/5 STD 0.30 0.50
MB/HL 1,5	2	49.965/49.981	53.655/53.674	17.290	1.832	0.020/0.070	AL-LF	1262RA	
TW/A	2	55.250/55.500	71.450/71.700		2.450		BS	62047BFA	A203/2 STD 0.10

		
EH951 [41][43] EH952 [42]	JJ586 	NF870  42.00x66.00x6.00mm, FPM/ACM NF857  85.00x105.00x9.00mm, FPM/ACM NF850  85.00x105.00x8.00mm, FPM
	JJ586	

[41] Supplementary Article/Supplementary Info 2:
With cylinder sleeve ring

[42] Supplementary Article/Supplementary Info:
with gaskets/seals

[43] Supplementary Article/Supplementary Info 2:
without oil pan gasket

[41] Article complémentaire / Info complémentaire 2:
avec deux bagues de chemises de cylindre

[42] Article complémentaire /
Info complémentaire: avec joints

[43] Article complémentaire / Info
complémentaire 2: sans joint de carter d'huile

[41] Artículo complementario/ Información
complementaria 2: con segmentos para camisa

[42] Artículo complementario/Información
complementaria: con juntas

[43] Artículo complementario/ Información
complementaria 2: sin junta de cárter de aceite

[41] Articolo complementare/Info integrativa 2:
Con anello tenuta canna cilindro

[42] Articolo complementare/Info
integrativa: con guarnizioni

[43] Articolo complementare/Info integrativa 2:
Senza guarnizione coppa olio

801	72.00	Petrol	
XW3S	4 Cyl.	9.7:1	1124cc 48kW (65)PS TD12688 13
104	09/73→09/79		

	08-319400-00 STD 1.50 CR P 2.00 P 4.00 CR [26]	14-636470-00 WH B 79.50 C 122.00 D 89.20 E 85.00 	

[26] Steel [26] Acier [26] Acciaio [26] Acero

BE/PL	4	44.975/44.991	48.655/48.671	19.750	1.820	0.024/0.081	AL-LF	62045RA	01-4173/4 STD 0.30 0.50
MB/HL 2,4	2	49.965/49.981	53.655/53.674	17.290	1.832	0.020/0.070	AL-LF	62046RA	H996/5 STD 0.30 0.50
MB/HL 1,3,5	3	49.965/49.981	53.655/53.674	17.290	1.832	0.020/0.070	AL-LF	62047RA	
TW/A	2	55.250/55.500	71.450/71.700		2.350		BS	62047BF	A202/2 STD 0.15

--	--	--

EH950 [41][42]		NF678 35.00x50.00x8.00mm, ACM NF641 78.00x100.00x10.00mm, MVQ
[41] Supplementary Article/Supplementary Info 2: With cylinder sleeve ring	[41] Article complémentaire / Info complémentaire 2: avec deux bagues de chemises de cylindre	[41] Artículo complementario/ Información complementaria 2: con segmentos para camisa
[42] Supplementary Article/Supplementary Info: with gaskets/seals	[42] Article complémentaire / Info complémentaire: avec joints	[42] Artículo complementario/Información complementaria: con juntas
		[41] Articolo complementare/Info integrativa 2: Con anello tenuta canna cilindro
		[42] Articolo complementare/Info integrativa: con guarnizioni




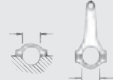






802	73.50	Diesel	
DV4D	4 Cyl.	1398cc	40kW (54)PS TD18550 30
C1	06/05→		







	08-135300-00 STD 08-135305-00 0.25mm 08-135307-00 0.50mm 2.50 CK P 1.95 P 2.50 CR P		

CITROEN/PEUGEOT

...Continued

802 73.70 Diesel











									
BE/PL	1	44.975/44.991	48.665/48.671	17.050	1.820	0.029/0.081	SP	71-3986	71-3986 STD 0.30 [44]
MB/HL 1-5	5	49.962/49.981	53.655/53.674	19.900	1.833	0.008/0.046	AL	02-4244	H1066/5 STD 0.30 0.50
TW/A	2	55.200/55.480	71.350/71.700		2.460		AL	04-4245	A217/2 STD
SE/PB	1	24.995/25.000	28.000/28.021	19.980			BS	55-3987	55-3987 SEMI



		
 ED5130	 KG5157 10.00x20.00x2.000mm	NA5259  40.00x55.00x6.40mm, PTFE

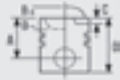


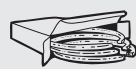
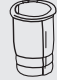





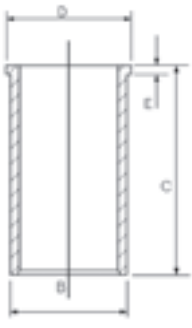
803 73.70 Diesel


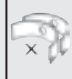








DV4C (8HP)	4 Cyl.	18:1	1398cc	50kW (68)PS	TD28225	
DV4C (8HR)	4 Cyl.	18:1	1398cc	50kW (68)PS	TD25061	29
DV4C (8HR)	4 Cyl.	18:1	1398cc	50kW (68)PS	TD28125	29
DV4TED (8HS) Euro 4	4 Cyl.	17:1	1398cc	50kW (68)PS	TD25063	34



207	02/06→	208	03/12→	2008	06/13→
C3	11/09→	DS3	04/10→		


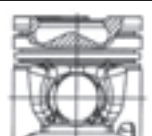



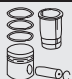




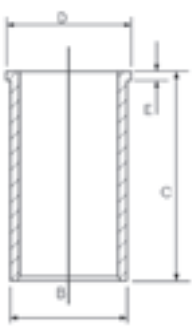
									
BE/PL	1	44.975/44.991	48.665/48.671	17.050	1.820	0.029/0.081	SP	71-3986	71-3986 STD 0.30 [44]
MB/HL 1-5	5	49.962/49.981	53.655/53.674	19.900	1.833	0.008/0.046	AL	02-4244	H1066/5 STD 0.30 0.50
TW/A	2	55.200/55.480	71.350/71.700		2.460		AL	04-4245	A217/2 STD
SE/PB	1	24.995/25.000	28.000/28.021	19.980			BS	55-3987	55-3987 SEMI

804	 73.70	Diesel				
DV4TD (8HS)	4 Cyl.	17.9:1	1398cc	50kW (68)PS	TD24698	31
DV4TD (8HS)	4 Cyl.	17.9:1	1398cc	50kW (68)PS	TD24699	31
BIPPER	02/08 →	BIPPER Tepee	04/08 →	NEMO	02/08 →	

					
87-135300-00 STD 87-135305-00 0.25mm 87-135307-00 0.50mm A 42.94 B- 14.70 BØ 37.16 C 1.55 D 65.44  25x60 AK RT TP		08-135300-00 STD 08-135305-00 0.25mm 08-135307-00 0.50mm 2.50  CK P 1.95  P 2.50  CR P	14-020760-00 D B 76.70 C 136.00 D 78.20 E 5.00 14-020761-00 D B 76.95 C 136.00 D 78.45 E 5.25 		

										
BE/PL	1	44.975/44.991	48.665/48.671	17.050	1.820	0.029/0.081	SP	71-3986	71-3986 STD 0.30	[44]
MB/HL 1-5	5	49.962/49.981	53.655/53.674	19.900	1.833	0.008/0.046	AL	02-4244	H1066/5 STD 0.30 0.50	
TW/A	2	55.200/55.480	71.350/71.700		2.460		AL	04-4245	A217/2 STD	
SE/PB	1	24.995/25.000	28.000/28.021	19.980			BS	55-3987	55-3987 SEMI	




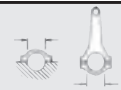






805	 73.70	Diesel				
DV4TD (8HT)	4 Cyl.	17.9:1	1398cc	40kW (54)PS	TD25062	32
DV4TD (8HT)	4 Cyl.	17.9:1	1398cc	40kW (54)PS	TD24924	33
107	06/05 →					






					
87-135300-00 STD 87-135305-00 0.25mm 87-135307-00 0.50mm A 42.94 B- 14.70 BØ 37.16 C 1.55 D 65.44  25x60 AK RT TP		08-135300-00 STD 08-135305-00 0.25mm 08-135307-00 0.50mm 2.50  CK P 1.95  P 2.50  CR P	14-020760-00 D B 76.70 C 136.00 D 78.20 E 5.00 14-020761-00 D B 76.95 C 136.00 D 78.45 E 5.25 		

CITROEN/PEUGEOT

...Continued

805 73.70 Diesel










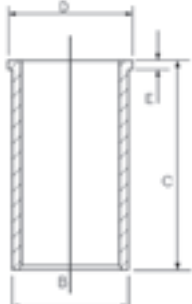

									
BE/PL	1	44.975/44.991	48.665/48.671	17.050	1.820	0.029/0.081	SP	71-3986	71-3986 STD 0.30 [44]
MB/HL 1-5	5	49.962/49.981	53.655/53.674	19.900	1.833	0.008/0.046	AL	02-4244	H1066/5 STD 0.30 0.50
TW/A	2	55.200/55.480	71.350/71.700		2.460		AL	04-4245	A217/2 STD
SE/PB	1	24.995/25.000	28.000/28.021	19.980			BS	55-3987	55-3987 SEMI



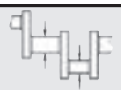
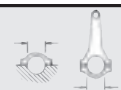




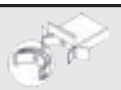

		
 ED5130	 KG5157 10.00x20.00x2.000mm	

806 73.70 Diesel







DV4TD (8HX)	4 Cyl.	17.9:1	1398cc	52kW (71)PS	TD16368	30
DV4TD (8HX)	4 Cyl.	17.9:1	1398cc	52kW (71)PS	TD16425	30
DV4TD (8HZ)	4 Cyl.	17.9:1	1398cc	50kW (68)PS	TD17509	30
DV4TD (8HZ)	4 Cyl.	17.9:1	1398cc	50kW (68)PS	TD23773	30



206	09/01 →	206+	01/09 →	206 Van	09/01 → 03/09
207	02/06 →	307	10/01 →	1007	04/05 →
C2	09/03 →	C2 ENTERPRISE	04/09 →	C3	02/02 →
XSARA	01/03 → 08/05				

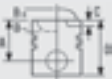








			
87-135300-00 STD 87-135305-00 0.25mm 87-135307-00 0.50mm	 	08-135300-00 STD 08-135305-00 0.25mm 08-135307-00 0.50mm 2.50  CK P 1.95  P 2.50  CR P	14-020760-00 D B 76.70 C 136.00 D 78.20 E 5.00 14-020761-00 D B 76.95 C 136.00 D 78.45 E 5.25 
A 42.94 B- 14.70 BØ 37.16 C 1.55 D 65.44  25x60 AK RT TP			











									
BE/PL	1	44.975/44.991	48.665/48.671	17.050	1.820	0.029/0.081	SP	71-3986	71-3986 STD 0.30 [44]
MB/HL 1-5	5	49.962/49.981	53.655/53.674	19.900	1.833	0.008/0.046	AL	02-4244	H1066/5 STD 0.30 0.50
TW/A	2	55.200/55.480	71.350/71.700		2.460		AL	04-4245	A217/2 STD
SE/PB	1	24.995/25.000	28.000/28.021	19.980			BS	55-3987	55-3987 SEMI






...Continued

806	 73.70	Diesel
		
 ED5130	KG5157 10.00x20.00x2.000mm	NA5259  40.00x55.00x6.40mm, PTFE

807	 73.70	Diesel	
DV4TED4 (8HY)	4 Cyl.	17.5:1	1398cc
66kW (89)PS	TD16426	35	
C3	02/02→		

			
87-135300-10 87-135307-10	STD 0.50mm	08-135300-00 08-135305-00 08-135307-00	STD 0.25mm 0.50mm
A 42.94 B- 14.40 BØ 37.15 C 1.15 C 1.15 D 65.44  25x60		2.50  CK P 1.95  P 2.50  CR P	
KK RT TP			

									
BE/PL	1	44.975/44.991	48.665/48.671	17.050	1.820	0.029/0.081	SP	71-3986	71-3986 STD 0.30 [44]
MB/HL 1-5	5	49.962/49.981	53.655/53.674	19.900	1.833	0.008/0.046	AL	02-4244	H1066/5 STD 0.30 0.50
TW/A	2	55.200/55.480	71.350/71.700		2.460		AL	04-4245	A217/2 STD
SE/PB	1	24.995/25.000	28.000/28.021	19.980			BS	55-3987	55-3987 SEMI

		
 ED5130	KG5157 10.00x20.00x2.000mm	NA5259  40.00x55.00x6.40mm, PTFE

CITROEN/PEUGEOT

808	74.00	Petrol				
A06/635	2 Cyl.	8.5:1	602cc	21kW (29)PS	TD599	36
R06 627	2 Cyl.	9:1	602cc	21kW (29)PS	TD5090	36
2 CV	02/70→10/85	LNA	11/76→07/79	MEHARI	10/79→10/87	

	08-144700-00 STD →12/76 1.50 CR P 2.00 P 4.00 CR [26]		
	08-147100-00 STD 01/77→ 1.75 MO P 2.00 P 3.50 CR [26]		

[26] Steel [26] Acier [26] Acciaio [26] Acero

	PA217 16.30x22.00x2.000mm	NF812 30.00x42.00x8.00mm, ACM NF809 56.00x69.00x10.00mm, FPM

809	74.00	Petrol				
A06/664	2 Cyl.	8.5:1	602cc	20-21kW (27-29)PS	TD600	36
2 CV	02/70→07/90					



	PA217 16.30x22.00x2.000mm	NF812 30.00x42.00x8.00mm, ACM NF809 56.00x69.00x10.00mm, FPM

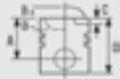









810	74.00	Petrol				
M4 (AM)	2 Cyl.	8.5:1	602cc	21kW (29)PS	TD5180	37
AMI	01/63→05/68					

	08-144700-00 STD 1.50 CR P 2.00 P 4.00 CR [26]		



[26] Steel [26] Acier [26] Acciaio [26] Acero





	PA217 16.30x22.00x2.000mm	NF812 30.00x42.00x8.00mm, ACM NF351 52.00x69.00x10.00mm, NBR



811	 74.00	Petrol			
M28 (AM2)	2 Cyl.	8.5-9	602cc	21kW (29)PS	TD5084
M28/1 (AK2)	2 Cyl.	9:1	602cc	21kW (29)PS	TD705
2 CV	09/75→06/81	ACADIANE	08/78→10/88	AMI	05/68→12/77
DYANE	12/68→10/84	MEHARI	05/68→10/87		








			
	08-144700-00 STD →12/76 1.50  CR P 2.00  P 4.00  CR [26]		
	08-147100-00 STD 01/77→ 1.75  MO P 2.00  P 3.50  CR [26]		

[26] Steel [26] Acier [26] Acciaio [26] Acero

812	 74.00	Petrol				
G10	4 Cyl.	9:1	1015cc	41kW (55)PS	TD649	38
G10/612	4 Cyl.	9:1	1015cc	41kW (55)PS	TD5094	38
AMI	03/73→12/77	GS	09/70→09/77			

		
	PA217 16.30x22.00x2.00mm	NF763  57.50x120.00x10.00mm, FPM/ACM





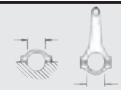




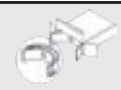

813	 74.00	Petrol				
E1	4 Cyl.	9.6:1	1118cc	40kW (54)PS	TD4832	39
F1	4 Cyl.		1204cc	46kW (62)PS	TD2750	39
205	01/87→12/90	309	10/85→07/89			









			
	08-344500-00 STD 1.75  CR P 2.00  P 4.00  CR [26]		



[26] Steel [26] Acier [26] Acciaio [26] Acero


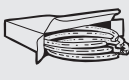





CITROEN/PEUGEOT





...Continued



813  74.00 Petrol									
									
BE/PL	4	40.959/40.967	44.005/44.013	19.240	1.509	0.020/0.061	AL-LF	61820RA	01-4172/4 STD 0.20 0.50
MB/HL 1.5	2	51.966/51.976	55.882/55.892	18.680	1.924	0.058/0.103	AL-LF	61821RA	H1031/5 STD
MB/HL 2.4	6	51.966/51.976	55.882/55.892	18.680	1.924	0.058/0.103	AL-LF	61822RA	
MB/HL 3	1	51.966/51.976	55.882/55.892	24.680	1.924	0.058/0.103	AL-LF	61823RA	






		
 EF102	HC341  KG5290 20.40x27.00x3.000mm  HC341	NF694  40.00x58.00x8.00mm, ACM NF692  71.00x88.00x8.00mm, MVQ

814  74.00 Petrol 				
G11/631	4 Cyl.	1129cc	41/43kW (56/58)PS	TD651 40
AXEL	01/84→03/91	GS	09/77→05/82	

			
	08-147800-00 STD 1.75  MO P 2.00  P 3.50  CR [26]		
[26] Steel	[26] Acier	[26] Acciaio	[26] Acero

		
	PA217 16.30x22.00x2.000mm	NF763  57.50x120.00x10.00mm, FPM/ACM

815  75.00 Petrol 				
XK4	4 Cyl.	8.8:1	1130cc	40kW (54)PS
204	05/69→10/77			TD2820 42

		
	JJ057 PA349 22.00x16.00x2.000mm  JJ057	NF640  60.50x78.00x9.00mm, MVQ

816








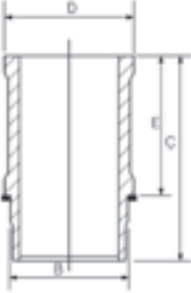
 **75.00**

Petrol



129 (XZ5) 4 Cyl. 9.3:1 1219cc **42kW (57)PS** **TD2906** **43**

104 08/79→06/83

			
	<p>08-334200-00 STD</p> <p>08-334207-00 0.50mm</p> <p>1.75  CR P</p> <p>2.00  P</p> <p>4.00  CR [26]</p>	<p>15-636700-00 WH [34]</p> <p>B 79.50 C 122.00 D 89.20 E 82.50</p> 	

[26] Steel

[26] Acier

[26] Acciaio











[26] Acero

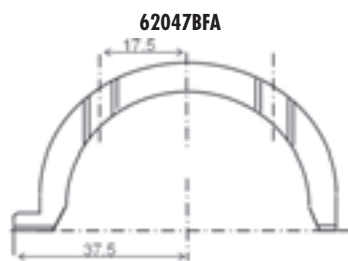
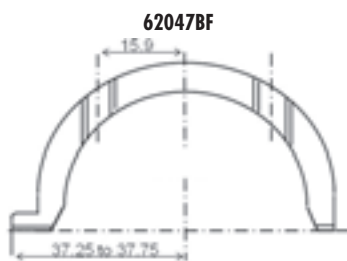
[34] Includes seals



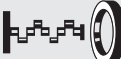
[34] Inclut des joints

[34] Comprende le guarnizioni

[34] Incluye los sellos



									
BE/PL	4	44.975/44.991	48.655/48.671	19.750	1.820	0.024/0.081	AL-LF	62045RA	01-4173/4 STD 0.30 0.50
MB/HL 2,4	2	49.965/49.981	53.655/53.674	17.290	1.832	0.020/0.070	AL-LF	62046RA	H996/5 STD 0.30 0.50
MB/HL 1,3,5	3	49.965/49.981	53.655/53.674	17.290	1.832	0.020/0.070	AL-LF	62047RA	
TW/A	2	55.250/55.500	71.450/71.700		2.350		BS	62047BF	A202/2 STD 0.15
→03/81									
TW/A	2	55.250/55.500	71.450/71.700		2.450		BS	62047BFA	A203/2 STD 0.10
04/81→									



		
---	---	---

EH950 [41][42]

PA349
22.00x16.00x2.000mm

NF678  35.00x50.00x8.00mm, ACM
NF641  78.00x100.00x10.00mm, MVQ

[41] Supplementary Article/Supplementary Info 2:
With cylinder sleeve ring
[42] Supplementary Article/Supplementary Info:
with gaskets/seals

[41] Article complémentaire / Info complémentaire 2:
avec deux bagues de chemises de cylindre
[42] Article complémentaire /
Info complémentaire: avec joints

[41] Artículo complementario/ Información
complementaria 2: con segmentos para camisa
[42] Artículo complementario/Información
complementaria: con juntas

[41] Articolo complementare/Info integrativa 2:
Con anello tenuta canna cilindro
[42] Articolo complementare/Info
integrativa: con guarnizioni

CITROEN/PEUGEOT

817



75.00

Petrol



129/5 4 Cyl. 9.3:1 1219cc 42kW (57)PS TD574 43

VISA 07/80→06/82

	<p>08-334200-00 STD</p> <p>08-334207-00 0.50mm</p> <p>1.75 CR P</p> <p>2.00 P</p> <p>4.00 CR [26]</p>	<p>15-636700-00 WH [34]</p> <p>B 79.50 C 122.00 D 89.20 E 82.50</p>	

[26] Steel [26] Acier [26] Acciaio [26] Acero
 [34] Includes seals [34] Inclut des joints [34] Comprende le guarnizioni [34] Incluye los sellos

EH950 [41][42]	PA349 22.00x16.00x2.000mm	NF678 35.00x50.00x8.00mm, ACM NF641 78.00x100.00x10.00mm, MVQ

[41] Supplementary Article/Supplementary Info 2: With cylinder sleeve ring
 [42] Supplementary Article/Supplementary Info: with gaskets/seals
 [41] Article complémentaire / Info complémentaire 2: avec deux bagues de chemises de cylindre
 [42] Article complémentaire / Info complémentaire: avec joints
 [41] Artículo complementario/ Información complementaria 2: con segmentos para camisa
 [42] Artículo complementario/Información complementaria: con juntas
 [41] Articolo complementare/Info integrativa 2: Con anello tenuta canna cilindro
 [42] Articolo complementare/Info integrativa: con guarnizioni

818



75.00

Petrol



M4A 4 Cyl. 9.6:1 1294cc 70kW (95)PS TD706 44










AX 04/87→12/88

	<p>08-154400-00 STD</p> <p>08-154407-00 0.50mm</p> <p>1.75 CR P</p> <p>2.00 P</p> <p>3.00 P</p>	<p>14-638630-00 WH</p> <p>B 79.50 C 120.50 D 89.20 E 85.00</p>	

BE/PL	4	44.975/44.991	48.655/48.671	19.750	1.820	0.024/0.081	AL-LF	62045RA	01-4173/4 STD 0.30 0.50
MB/HL 2-4	3	49.965/49.981	53.655/53.674	17.290	1.832	0.020/0.070	AL-LF	1261RA	H1071/5 STD 0.30 0.50
MB/HL 1,5	2	49.965/49.981	53.655/53.674	17.290	1.832	0.020/0.070	AL-LF	1262RA	
TW/A	2	55.250/55.500	71.450/71.700		2.450		BS	62047BFA	A203/2 STD 0.10

...Continued

818  **75.00** **Petrol**


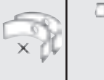
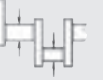







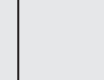

		
<p> EH951 [41][43]  EH952 [42]</p>	<p>JJ586 ⇒PB852 16.00x24.00x1.500mm ⇒PA349 22.00x16.00x2.000mm</p> <p style="text-align: center;"></p>	<p>NF870  42.00x66.00x6.00mm, FPM/ACM NF857  85.00x105.00x9.00mm, FPM/ACM NF850  85.00x105.00x8.00mm, FPM</p>










JJ586

<p>[41] Supplementary Article/Supplementary Info 2: With cylinder sleeve ring [42] Supplementary Article/Supplementary Info: with gaskets/seals [43] Supplementary Article/Supplementary Info 2: without oil pan gasket</p>	<p>[41] Article complémentaire / Info complémentaire 2: avec deux bagues de chemises de cylindre [42] Article complémentaire / Info complémentaire: avec joints [43] Article complémentaire / Info complémentaire 2: sans joint de carter d'huile</p>	<p>[41] Artículo complementario/ Información complementaria 2: con segmentos para camisa [42] Artículo complementario/Información complementaria: con juntas [43] Artículo complementario/ Información complementaria 2: sin junta de cárter de aceite</p>	<p>[41] Articolo complementare/Info integrativa 2: Con anello tenuta canna cilindro [42] Articolo complementare/Info integrativa: con guarnizioni [43] Articolo complementare/Info integrativa 2: Senza guarnizione coppa olio</p>
---	---	--	--

819  **75.00** **Petrol** 

TU2J2	4 Cyl.	10.2:1	1294cc	72kW (98)PS	TD2763	45
106	10/93→04/96					

											
BE/PL	4	44.975/44.991	48.655/48.671	19.750	1.820	0.024/0.081	AL-LF	62045RA	01-4173/4 STD 0.30 0.50		
MB/HL 2-4	3	49.965/49.981	53.655/53.674	17.290	1.832	0.020/0.070	AL-LF	1261RA	H1071/5 STD 0.30 0.50		
MB/HL 1,5	2	49.965/49.981	53.655/53.674	17.290	1.832	0.020/0.070	AL-LF	1262RA			
TW/A	2	55.250/55.500	71.450/71.700		2.450		BS	620478FA	A203/2 STD 0.10		

		
<p> EH951 [41][43]  EH952 [42]</p>	<p>JJ586 ⇒PB852 16.00x24.00x1.500mm ⇒PA349 22.00x16.00x2.000mm</p> <p style="text-align: center;"></p>	<p>NF870  42.00x66.00x6.00mm, FPM/ACM NF857  85.00x105.00x9.00mm, FPM/ACM NF850  85.00x105.00x8.00mm, FPM</p>

JJ586

<p>[41] Supplementary Article/Supplementary Info 2: With cylinder sleeve ring [42] Supplementary Article/Supplementary Info: with gaskets/seals [43] Supplementary Article/Supplementary Info 2: without oil pan gasket</p>	<p>[41] Article complémentaire / Info complémentaire 2: avec deux bagues de chemises de cylindre [42] Article complémentaire / Info complémentaire: avec joints [43] Article complémentaire / Info complémentaire 2: sans joint de carter d'huile</p>	<p>[41] Artículo complementario/ Información complementaria 2: con segmentos para camisa [42] Artículo complementario/Información complementaria: con juntas [43] Artículo complementario/ Información complementaria 2: sin junta de cárter de aceite</p>	<p>[41] Articolo complementare/Info integrativa 2: Con anello tenuta canna cilindro [42] Articolo complementare/Info integrativa: con guarnizioni [43] Articolo complementare/Info integrativa 2: Senza guarnizione coppa olio</p>
---	---	--	--

CITROEN/PEUGEOT

820

75.00
Petrol

TU24 4 Cyl. 9.6:1 1294cc **70kW (95)PS** **TD12689** **46**
205 10/87→10/90

	08-154400-00 STD 08-154407-00 0.50mm 1.75 CR P 2.00 P 3.00 P	14-638630-00 WH B 79.50 C 120.50 D 89.20 E 85.00 	

BE/PL	4	44.975/44.991	48.655/48.671	19.750	1.820	0.024/0.081	AL-LF	62045RA	01-4173/4 STD 0.30 0.50
MB/HL 2-4	3	49.965/49.981	53.655/53.674	17.290	1.832	0.020/0.070	AL-LF	1261RA	H1071/5 STD 0.30 0.50
MB/HL 1,5	2	49.965/49.981	53.655/53.674	17.290	1.832	0.020/0.070	AL-LF	1262RA	
TW/A	2	55.250/55.500	71.450/71.700		2.450		BS	62047BFA	A203/2 STD 0.10

EH951 [41][43] EH952 [42]	JJ586 ⇒PB852 16.00x24.00x1.500mm 	NF870 42.00x66.00x6.00mm, FPM/ACM NF857 85.00x105.00x9.00mm, FPM/ACM NF850 85.00x105.00x8.00mm, FPM

JJ586

[41] Supplementary Article/Supplementary Info 2: With cylinder sleeve ring
 [42] Supplementary Article/Supplementary Info: with gaskets/seals
 [43] Supplementary Article/Supplementary Info 2: without oil pan gasket

[41] Article complémentaire / Info complémentaire 2: avec deux bagues de chemises de cylindre
 [42] Article complémentaire / Info complémentaire: avec joints
 [43] Article complémentaire / Info complémentaire 2: sans joint de carter d'huile

[41] Artículo complementario/ Información complementaria 2: con segmentos para camisa
 [42] Artículo complementario/Información complementaria: con juntas
 [43] Artículo complementario/ Información complementaria 2: sin junta de cárter de aceite

[41] Articolo complementare/Info integrativa 2: Con anello tenuta canna cilindro
 [42] Articolo complementare/Info integrativa: con guarnizioni
 [43] Articolo complementare/Info integrativa 2: Senza guarnizione coppa olio

821

75.00
Petrol

150 (XY6B) 4 Cyl. 9.3:1 1360cc **53kW (72)PS** **TD2901** **47**
104 08/79→06/84 **205** 02/83→07/88

	08-334200-00 STD 08-334207-00 0.50mm 1.75 CR P 2.00 P 4.00 CR [26]		

[26] Steel



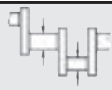
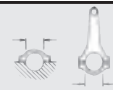






[26] Acier

[26] Acciaio

[26] Acero

...Continued

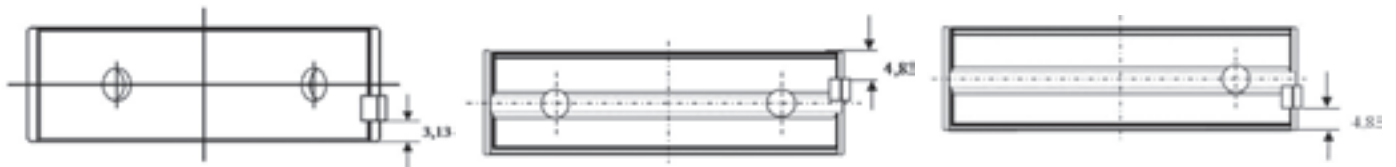
821  **75.00** **Petrol**

									
BE/PL	4	44.975/44.991	48.655/48.671	19.750	1.820	0.024/0.081	AL-LF	62045RA	01-4173/4 STD 0.30 0.50
MB/HL 2,4	3	49.965/49.981	53.655/53.674	17.290	1.832	0.020/0.070	AL-LF	1261RA	H1071/5 STD 0.30 0.50
MB/HL 1,5	2	49.965/49.981	53.655/53.674	17.290	1.832	0.020/0.070	AL-LF	1262RA	
01/85 →									
MB/HL 2,4	2	49.965/49.981	53.655/53.674	17.290	1.832	0.020/0.070	AL-LF	62046RA	H996/5 STD 0.30 0.50
MB/HL 1,3,5	3	49.965/49.981	53.655/53.674	17.290	1.832	0.020/0.070	AL-LF	62047RA	
→12/84									

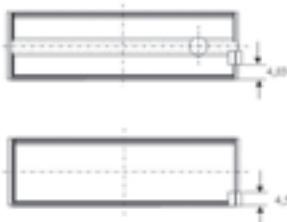
1261RA

1262RA

62046RA



62047RA








TW/A	2	55.250/55.500	71.450/71.700		2.350		BS	62047BF	A202/2 STD 0.15
→03/81									
TW/A	2	55.250/55.500	71.450/71.700		2.450		BS	62047BFA	A203/2 STD 0.10
04/81 →									

62047BF


62047BFA



		
		NF678  35.00x50.00x8.00mm, ACM NF641  78.00x100.00x10.00mm, MVQ

CITROEN/PEUGEOT

822

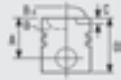






 **75.00**

Petrol



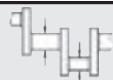









150A	4 Cyl.	9.3:1	1360cc	46kW (62)PS	TD576	48
150F	4 Cyl.	9.3:1	1360cc	49kW (67)PS	TD578	54

BX 10/82→02/93

			
	08-334200-00 STD 08-334207-00 0.50mm 1.75  CR P 2.00  P 4.00  CR [26]		

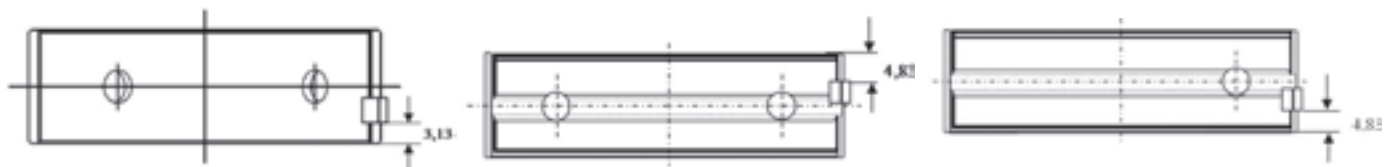
[26] Steel [26] Acier [26] Acciaio [26] Acero

									
BE/PL	4	44.975/44.991	48.655/48.671	19.750	1.820	0.024/0.081	AL-LF	62045RA	01-4173/4 STD 0.30 0.50
MB/HL 2-4	3	49.965/49.981	53.655/53.674	17.290	1.832	0.020/0.070	AL-LF	1261RA	H1071/5 STD 0.30 0.50
MB/HL 1,5	2	49.965/49.981	53.655/53.674	17.290	1.832	0.020/0.070	AL-LF	1262RA	
01/85 →									
MB/HL 2,4	2	49.965/49.981	53.655/53.674	17.290	1.832	0.020/0.070	AL-LF	62046RA	H996/5 STD 0.30 0.50
MB/HL 1,3,5	3	49.965/49.981	53.655/53.674	17.290	1.832	0.020/0.070	AL-LF	62047RA	
→ 12/84									

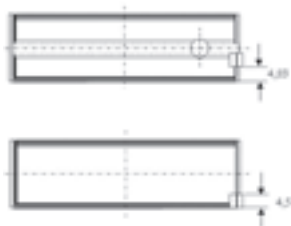
1261RA

1262RA




62046RA




62047RA





TW/A	2	55.250/55.500	71.450/71.700	2.450	BS	62047BFA	A203/2 STD 0.10
------	---	---------------	---------------	-------	----	----------	---------------------------

		
---	---	---

 **EH950** [41][42]

PA349
22.00x16.00x2.000mm

NF678  35.00x50.00x8.00mm, ACM
NF641  78.00x100.00x10.00mm, MVQ

[41] Supplementary Article/Supplementary Info 2: With cylinder sleeve ring

[41] Article complémentaire / Info complémentaire 2: avec deux bagues de chemises de cylindre

[41] Artículo complementario/ Información complementaria 2: con segmentos para camisa

[41] Articolo complementare/Info integrativa 2: Con anello tenuta canna cilindro

[42] Supplementary Article/Supplementary Info: with gaskets/seals

[42] Article complémentaire / Info complémentaire: avec joints

[42] Artículo complementario/Información complementaria: con juntas

[42] Articolo complementare/Info integrativa: con guarnizioni

823



75.00

Petrol



150B (XY8)	4 Cyl.	9.3:1	1360cc	58-59kW (79-80)PS	TD2905	49
150B (XY8)	4 Cyl.	9.3:1	1360cc	46kW (62)PS	TD577	49
205	02/83→05/89	VISA	03/82→03/91			

	<p>08-334200-00 STD</p> <p>08-334207-00 0.50mm</p> <p>1.75 CR P</p> <p>2.00 P</p> <p>4.00 CR [26]</p>	<p>14-636600-00 WH</p> <p>B 79.50 C 134.50 D 89.20 E 90.00</p>	

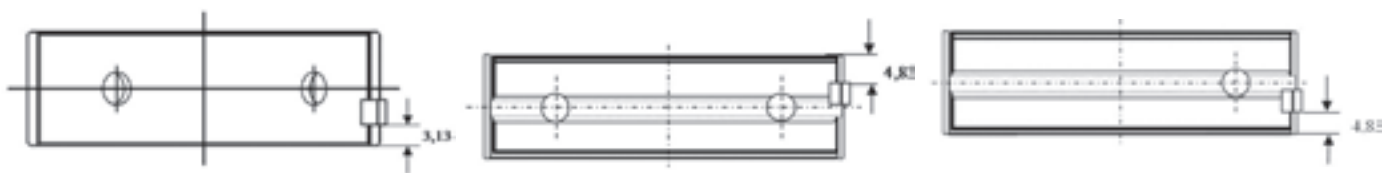
[26] Steel [26] Acier [26] Acciaio [26] Acero

BE/PL	4	44.975/44.991	48.655/48.671	19.750	1.820	0.024/0.081	AL-LF	62045RA	01-4173/4 STD 0.30 0.50
MB/HL 2,4	3	49.965/49.981	53.655/53.674	17.290	1.832	0.020/0.070	AL-LF	1261RA	H1071/5 STD 0.30 0.50
MB/HL 1,5	2	49.965/49.981	53.655/53.674	17.290	1.832	0.020/0.070	AL-LF	1262RA	
01/85 →									
MB/HL 2,4	2	49.965/49.981	53.655/53.674	17.290	1.832	0.020/0.070	AL-LF	62046RA	H996/5 STD 0.30 0.50
MB/HL 1,3,5	3	49.965/49.981	53.655/53.674	17.290	1.832	0.020/0.070	AL-LF	62047RA	
→12/84									

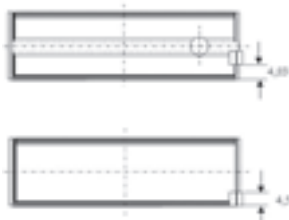
1261RA

1262RA

62046RA










62047RA












TW/A	2	55.250/55.500	71.450/71.700	2.450	BS	62047BFA	A203/2 STD 0.10
------	---	---------------	---------------	-------	----	----------	---------------------------



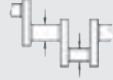








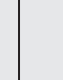


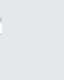
CITROEN/PEUGEOT

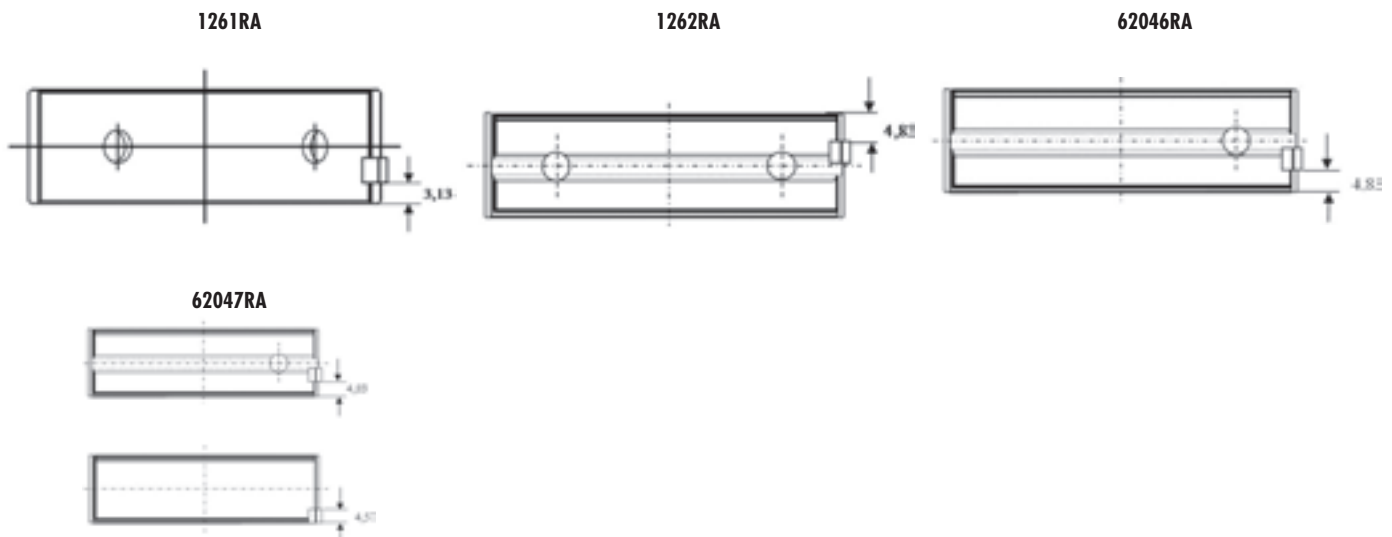
...Continued

823	 75.00	Petrol
		
 EH950 [41][42] [41] Supplementary Article/Supplementary Info 2: With cylinder sleeve ring [42] Supplementary Article/Supplementary Info: with gaskets/seals	PA349 22.00x16.00x2.000mm [41] Article complémentaire / Info complémentaire 2: avec deux bagues de chemises de cylindre [42] Article complémentaire / Info complémentaire: avec joints	NF678  35.00x50.00x8.00mm, ACM NF641  78.00x100.00x10.00mm, MWQ [41] Artículo complementario/ Información complementaria 2: con segmentos para camisa [42] Artículo complementario/Información complementaria: con juntas [41] Articolo complementare/Info integrativa 2: Con anello tenuta canna cilindro [42] Articolo complementare/Info integrativa: con guarnizioni

824	 75.00	Petrol				
150C	4 Cyl.	9.3:1	1360cc	53kW (72)PS	TD582	50
BX	04/83 → 02/93					











			
08-334200-00 STD	08-334207-00 0.50mm		
1.75 	CR P		
2.00 	P		
4.00 	CR [26]		
[26] Steel	[26] Acier	[26] Acciaio	[26] Acero




														
BE/PL	4	44.975/44.991	48.655/48.671	19.750	1.820	0.024/0.081	AL-LF	62045RA	01-4173/4 STD 0.30 0.50					
MB/HL 2,4	3	49.965/49.981	53.655/53.674	17.290	1.832	0.020/0.070	AL-LF	1261RA	H1071/5 STD 0.30 0.50					
MB/HL 1,5	2	49.965/49.981	53.655/53.674	17.290	1.832	0.020/0.070	AL-LF	1262RA						
01/85 →														
MB/HL 2,4	2	49.965/49.981	53.655/53.674	17.290	1.832	0.020/0.070	AL-LF	62046RA	H996/5 STD 0.30 0.50					
MB/HL 1,3,5	3	49.965/49.981	53.655/53.674	17.290	1.832	0.020/0.070	AL-LF	62047RA						
→12/84														







...Continued

824  **75.00** **Petrol**

									
TW/A	2	55.250/55.500	71.450/71.700		2.450		BS	62047BFA	A203/2 STD 0.10

		
---	---	---

 **EH950** [41][42]

NF870  42.00x66.00x6.00mm, FPM/ACM
NF678  35.00x50.00x8.00mm, ACM
NF850  85.00x105.00x8.00mm, FPM
NF641  78.00x100.00x10.00mm, MVQ

[41] Supplementary Article/Supplementary Info 2:
With cylinder sleeve ring

[41] Article complémentaire / Info complémentaire 2:
avec deux bagues de chemises de cylindre

[41] Artículo complementario/ Información complementaria 2: con segmentos para camisa

[41] Articolo complementare/Info integrativa 2:
Con anello tenuta canna cilindro

[42] Supplementary Article/Supplementary Info:
with gaskets/seals

[42] Article complémentaire /
Info complémentaire: avec joints








[42] Artículo complementario/Información complementaria: con juntas

[42] Articolo complementare/Info integrativa: con guarnizioni

825  **75.00** **Petrol** 

150D	4 Cyl.	9.3:1	1360cc	44kW (60)PS	TD6570	51
150D (XY7)	4 Cyl.	9.3:1	1360cc	44kW (60)PS	TD2902	53
150D (XY7)	4 Cyl.	9.3:1	1360cc	44kW (60)PS	TD5091	52
150G (XY7)	4 Cyl.	9.3:1	1360cc	44kW (60)PS	TD2903	55

205 02/83→05/89 **C15** 05/87→12/96 **VISA** 07/84→03/91











			
	08-334200-00 STD 08-334207-00 0.50mm		
	1.75  CR P 2.00  P 4.00  CR [26]		

[26] Steel

[26] Acier

[26] Acciaio

[26] Acero

									
BE/PL	4	44.975/44.991	48.655/48.671	19.750	1.820	0.024/0.081	AL-LF	62045RA	01-4173/4 STD 0.30 0.50
MB/HL 2,4	3	49.965/49.981	53.655/53.674	17.290	1.832	0.020/0.070	AL-LF	1261RA	H1071/5 STD 0.30 0.50
MB/HL 1,5	2	49.965/49.981	53.655/53.674	17.290	1.832	0.020/0.070	AL-LF	1262RA	

01/85→

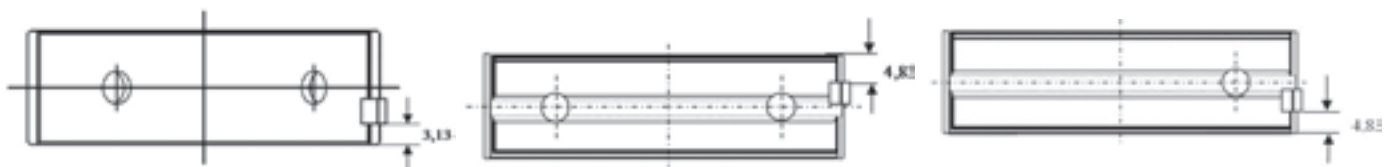
MB/HL 2,4	2	49.965/49.981	53.655/53.674	17.290	1.832	0.020/0.070	AL-LF	62046RA	H996/5 STD 0.30 0.50
MB/HL 1,3,5	3	49.965/49.981	53.655/53.674	17.290	1.832	0.020/0.070	AL-LF	62047RA	

→12/84

1261RA

1262RA

62046RA



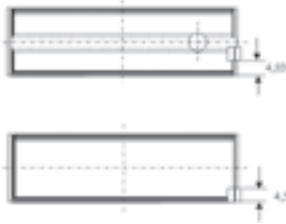
CITROEN/PEUGEOT

...Continued

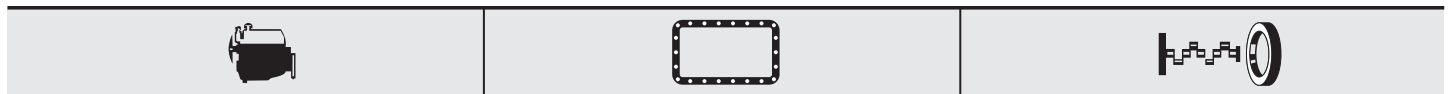
825	 75.00	Petrol
------------	--	---------------






62047RA





TW/A	2	55.250/55.500	71.450/71.700	2.450	BS	62047BFA	A203/2 STD 0.10
------	---	---------------	---------------	-------	----	----------	---------------------------



 **EH950** [41][42]




NF678  35.00x50.00x8.00mm, ACM
NF641  78.00x100.00x10.00mm, MVQ

[41] Supplementary Article/Supplementary Info 2: With cylinder sleeve ring	[41] Article complémentaire / Info complémentaire 2: avec deux bagues de chemises de cylindre	[41] Artículo complementario/ Información complementaria 2: con segmentos para camisa	[41] Articolo complementare/Info integrativa 2: Con anello tenuta canna cilindro
[42] Supplementary Article/Supplementary Info: with gaskets/seals	[42] Article complémentaire / Info complémentaire: avec joints	[42] Artículo complementario/Información complementaria: con juntas	[42] Articolo complementare/Info integrativa: con guarnizioni

826	 75.00	Petrol				
150H (XY8)	4 Cyl.	9.3:1	1360cc	58kW (79)PS	TD2904	56

205	10/85→05/89
------------	-------------

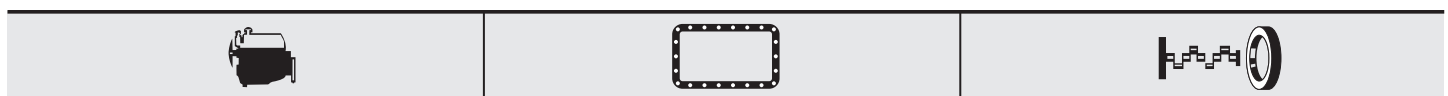



08-334200-00	STD
08-334207-00	0.50mm
1.75	 CR P
2.00	 P
4.00	 CR [26]



[26] Steel	[26] Acier	[26] Acciaio	[26] Acero
------------	------------	--------------	------------



BE/PL	4	44.975/44.991	48.655/48.671	19.750	1.820	0.024/0.081	AL-LF	62045RA	01-4173/4 STD 0.30 0.50
MB/HL 2-4	3	49.965/49.981	53.655/53.674	17.290	1.832	0.020/0.070	AL-LF	1261RA	H1071/5 STD 0.30 0.50
MB/HL 1,5	2	49.965/49.981	53.655/53.674	17.290	1.832	0.020/0.070	AL-LF	1262RA	
TW/A	2	55.250/55.500	71.450/71.700		2.450		BS	62047BFA	A203/2 STD 0.10



 **EH950** [41][42]

NF678  35.00x50.00x8.00mm, ACM
NF641  78.00x100.00x10.00mm, MVQ

[41] Supplementary Article/Supplementary Info 2: With cylinder sleeve ring	[41] Article complémentaire / Info complémentaire 2: avec deux bagues de chemises de cylindre	[41] Artículo complementario/ Información complementaria 2: con segmentos para camisa	[41] Articolo complementare/Info integrativa 2: Con anello tenuta canna cilindro
[42] Supplementary Article/Supplementary Info: with gaskets/seals	[42] Article complémentaire / Info complémentaire: avec joints	[42] Artículo complementario/Información complementaria: con juntas	[42] Articolo complementare/Info integrativa: con guarnizioni

827	75.00	Petrol				
ET3J4 (KFU)	4 Cyl.	10.5:1	1360cc	65kW (88)PS	TD17550	57
ET3J4 (KFU)	4 Cyl.	10.5:1	1360cc	65kW (88)PS	TD17977	57
206	10/03→	207	02/06→	307	11/03→	
1007	10/05→	C2	06/06→	C3	12/03→	
C4	11/04→					

BE/PL	4	44.975/44.991	48.655/48.671	19.750	1.820	0.020/0.080	AL-LF	4650RA	01-4163/4 STD 0.25
MB/HL 2-4	3	49.965/49.981	53.655/53.674	17.290	1.832	0.020/0.070	AL-LF	1261RA	H1071/5 STD 0.30 0.50
MB/HL 1,5	2	49.965/49.981	53.655/53.674	17.290	1.832	0.020/0.070	AL-LF	1262RA	
TW/A	2	55.250/55.500	71.450/71.700		2.450		BS	62047BFA	A203/2 STD 0.10

EG9030		NF870 42.00x66.00x6.00mm, FPM/ACM NF850 85.00x105.00x8.00mm, FPM







828	75.00	Petrol				
K1B	4 Cyl.	9.3:1	1360cc	44kW (60)PS	TD665	58
K2D	4 Cyl.	9.3:1	1360cc	55kW (75)PS	TD6568	58
KAZ	4 Cyl.	9.3:1	1360cc	44-55kW (54-75)PS	TD6566	63
TU3A (K1H)	4 Cyl.	9.3:1	1360cc	47-49kW (64-67)PS	TD4272	65
BX	01/89→12/89	C15	07/87→12/96			



87-154400-00	STD	08-154400-00 STD 08-154407-00 0.50mm	14-636600-00 WH B 79.50 C 134.50 D 89.20 E 90.00
A 40.50 B- 1.10 BØ 62.00 D 64.50 20x62		1.75 CR P 2.00 P 3.00 P	
			88-154400-00 87-154400-00 + 14-636600-00




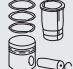




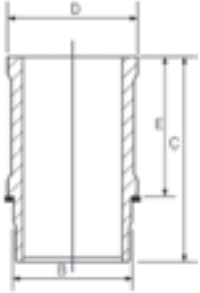
BE/PL	4	44.975/44.991	48.655/48.671	19.750	1.820	0.024/0.081	AL-LF	62045RA	01-4173/4 STD 0.30 0.50
MB/HL 2-4	3	49.965/49.981	53.655/53.674	17.290	1.832	0.020/0.070	AL-LF	1261RA	H1071/5 STD 0.30 0.50
MB/HL 1,5	2	49.965/49.981	53.655/53.674	17.290	1.832	0.020/0.070	AL-LF	1262RA	
TW/A	2	55.250/55.500	71.450/71.700		2.450		BS	62047BFA	A203/2 STD 0.10











CITROEN/PEUGEOT










...Continued

828	 75.00	Petrol
		
		NF870  42.00x66.00x6.00mm, FPM/ACM NF850  85.00x105.00x8.00mm, FPM

829	 75.00	Petrol				
K1F	4 Cyl.	9.3:1	1360cc	49kW (67)PS	TD666	59
TU3A (K1D)	4 Cyl.	9.3:1	1361cc	49kW (67)PS	TD2766	85
TU3CP (KAY)	4 Cyl.	9.3:1	1360cc	44kW (60)PS	TD9546	70
TU3M (KDY)	4 Cyl.	9.3:1	1360cc	55kW (75)PS	TD5160	78
TU3M/Z (KDZ)	4 Cyl.	9.3:1	1360cc	55kW (75)PS	TD683	80
205	10/87→12/94	309		03/89→12/93	AX	12/86→04/97
BX	01/89→02/93	C15		05/91→12/96	ZX	03/91→10/97

			
87-154400-00	87-154400-00	14-636600-00 WH	88-154400-00
STD	STD 0.50mm	B 79.50 C 134.50 D 89.20 E 90.00	87-154400-00 + 14-636600-00
A 40.50 B- 1.10 BØ 62.00 D 64.50  20x62	1.75  CR P 2.00  P 3.00  P		

									
BE/PL	4	44.975/44.991	48.655/48.671	19.750	1.820	0.024/0.081	AL-LF	62045RA	01-4173/4 STD 0.30 0.50
MB/HL 2-4	3	49.965/49.981	53.655/53.674	17.290	1.832	0.020/0.070	AL-LF	1261RA	H1071/5 STD 0.30 0.50
MB/HL 1,5	2	49.965/49.981	53.655/53.674	17.290	1.832	0.020/0.070	AL-LF	1262RA	
TW/A	2	55.250/55.500	71.450/71.700		2.450		BS	62047BFA	A203/2 STD 0.10

		
 EH951 [41][43]  EH952 [42]	JJ586 =PB852 16.00x24.00x1.500mm =PA349 22.00x16.00x2.000mm 	NF870  42.00x66.00x6.00mm, FPM/ACM NF857  85.00x105.00x9.00mm, FPM/ACM NF850  85.00x105.00x8.00mm, FPM

JJ586

[41] Supplementary Article/Supplementary Info 2:
With cylinder sleeve ring
[42] Supplementary Article/Supplementary Info:
with gaskets/seals
[43] Supplementary Article/Supplementary Info 2:
without oil pan gasket

[41] Article complémentaire / Info complémentaire 2:
avec deux bagues de chemises de cylindre
[42] Article complémentaire /
Info complémentaire: avec joints
[43] Article complémentaire / Info
complémentaire 2: sans joint de carter d'huile

[41] Artículo complementario/ Información
complementaria 2: con segmentos para camisa
[42] Artículo complementario/Información
complementaria: con juntas
[43] Artículo complementario/ Información
complementaria 2: sin junta de cárter de aceite

[41] Articolo complementare/Info integrativa 2:
Con anello tenuta canna cilindro
[42] Articolo complementare/Info
integrativa: con guarnizioni
[43] Articolo complementare/Info integrativa 2:
Senza guarnizione coppa olio

830	75.00	Petrol				
K1G	4 Cyl.	9.3:1	1360cc	51kW (69)PS	TD6567	60
AX	01/89→12/91		BX	04/83→07/89		

87-154400-00 STD	08-154400-00 STD 08-154407-00 0.50mm	14-636600-00 WH B 79.50 C 134.50 D 89.20 E 90.00	88-154400-00 87-154400-00 + 14-636600-00
A 40.50 B- 1.10 BØ 62.00 D 64.50 20x62	1.75 CR P 2.00 P 3.00 P		

BE/PL	4	44.975/44.991	48.655/48.671	19.750	1.820	0.024/0.081	AL-LF	62045RA	01-4173/4 STD 0.30 0.50
MB/HL 2-4	3	49.965/49.981	53.655/53.674	17.290	1.832	0.020/0.070	AL-LF	1261RA	H1071/5 STD 0.30 0.50
MB/HL 1,5	2	49.965/49.981	53.655/53.674	17.290	1.832	0.020/0.070	AL-LF	1262RA	
TW/A	2	55.250/55.500	71.450/71.700		2.450		BS	62047BFA	A203/2 STD 0.10

EH950 [41][42]		NF870 42.00x66.00x6.00mm, FPM/ACM NF850 85.00x105.00x8.00mm, FPM

[41] Supplementary Article/Supplementary Info 2: With cylinder sleeve ring
 [42] Supplementary Article/Supplementary Info: with gaskets/seals

[41] Article complémentaire / Info complémentaire 2: avec deux bagues de chemises de cylindre
 [42] Article complémentaire / Info complémentaire: avec joints

[41] Artículo complementario/ Información complementaria 2: con segmentos para camisa
 [42] Artículo complementario/Información complementaria: con juntas

[41] Articolo complementare/Info integrativa 2: Con anello tenuta canna cilindro
 [42] Articolo complementare/Info integrativa: con guarnizioni



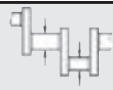
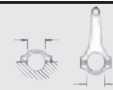






831	75.00	Petrol				
K2A	4 Cyl.	9.3:1	1360cc	62kW (84)PS	TD668	61
AX	09/86→12/92					






87-154400-00 STD	08-154400-00 STD 08-154407-00 0.50mm	14-636600-00 WH B 79.50 C 134.50 D 89.20 E 90.00	88-154400-00 87-154400-00 + 14-636600-00
A 40.50 B- 1.10 BØ 62.00 D 64.50 20x62	1.75 CR P 2.00 P 3.00 P		

CITROEN/PEUGEOT

...Continued

831 75.00 Petrol

									
BE/PL	4	44.975/44.991	48.655/48.671	19.750	1.820	0.024/0.081	AL-LF	62045RA	01-4173/4 STD 0.30 0.50
MB/HL 2-4	3	49.965/49.981	53.655/53.674	17.290	1.832	0.020/0.070	AL-LF	1261RA	H1071/5 STD 0.30 0.50
MB/HL 1,5	2	49.965/49.981	53.655/53.674	17.290	1.832	0.020/0.070	AL-LF	1262RA	
TW/A	2	55.250/55.500	71.450/71.700		2.450		BS	62047BFA	A203/2 STD 0.10

		
EY130 [42]		NF870  42.00x66.00x6.00mm, FPM/ACM NF850  85.00x105.00x8.00mm, FPM

[42] Supplementary Article/Supplementary Info:
with gaskets/seals

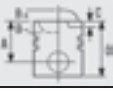
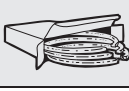



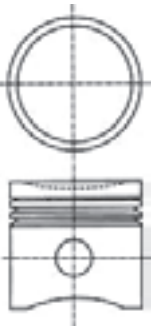



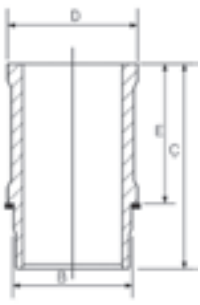
[42] Article complémentaire /
Info complémentaire: avec joints



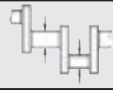
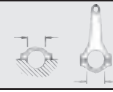






[42] Artículo complementario/Información
complementaria: con juntas

[42] Articolo complementare/Info
integrativa: con guarnizioni

832 75.00 Petrol

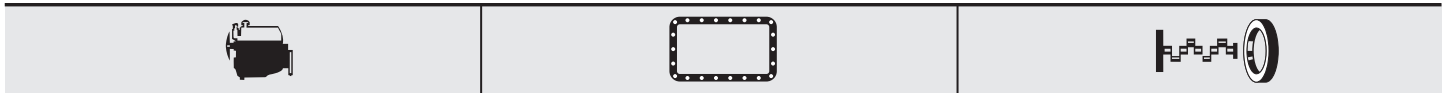
K3A	4 Cyl.	9.3:1	1360cc	40-46kW (54-63)PS	TD6569	62
C15	07/87 → 12/96					

				
87-154400-00 STD A 40.50 B- 1.10 BØ 62.00 D 64.50  20x62		08-154400-00 STD 08-154407-00 0.50mm 1.75  CR P 2.00  P 3.00  P	14-636600-00 WH B 79.50 C 134.50 D 89.20 E 90.00 	88-154400-00 87-154400-00 + 14-636600-00

									
BE/PL	4	44.975/44.991	48.655/48.671	19.750	1.820	0.024/0.081	AL-LF	62045RA	01-4173/4 STD 0.30 0.50
MB/HL 2-4	3	49.965/49.981	53.655/53.674	17.290	1.832	0.020/0.070	AL-LF	1261RA	H1071/5 STD 0.30 0.50
MB/HL 1,5	2	49.965/49.981	53.655/53.674	17.290	1.832	0.020/0.070	AL-LF	1262RA	
TW/A	2	55.250/55.500	71.450/71.700		2.450		BS	62047BFA	A203/2 STD 0.10




...Continued

832  **75.00** **Petrol**



 **EH951** [41][43]

JJ586
 ⇒ **PB852**
 16.00x24.00x1.500mm

NF870  42.00x66.00x6.00mm, FPM/ACM
NF857  85.00x105.00x9.00mm, FPM/ACM
NF850  85.00x105.00x8.00mm, FPM



JJ586

[41] Supplementary Article/Supplementary Info 2:
 With cylinder sleeve ring

[43] Supplementary Article/Supplementary Info 2:
 without oil pan gasket

[41] Article complémentaire / Info complémentaire 2:
 avec deux bagues de chemises de cylindre

[43] Article complémentaire / Info
 complémentaire 2: sans joint de carter d'huile

[41] Artículo complementario/ Información
 complementaria 2: con segmentos para camisa

[43] Artículo complementario/ Información
 complementaria 2: sin junta de cárter de aceite



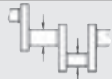







[41] Articolo complementare/Info integrativa 2:
 Con anello tenuta canna cilindro

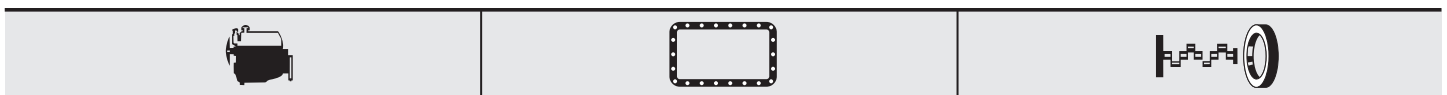
[43] Articolo complementare/Info integrativa 2:
 Senza guarnizione coppa olio



833  **75.00** **Petrol** 

TU3 (K5A) 4 Cyl. 10.2:1 1360cc **51kW (70)PS** **TD26412** **64**

106 08/91 → 03/96 **405** 01/87 → 07/92

									
BE/PL	4	44.975/44.991	48.655/48.671	19.750	1.820	0.024/0.081	AL-LF	62045RA	01-4173/4 STD 0.30 0.50
MB/HL 2-4	3	49.965/49.981	53.655/53.674	17.290	1.832	0.020/0.070	AL-LF	1261RA	H1071/5 STD 0.30 0.50
MB/HL 1,5	2	49.965/49.981	53.655/53.674	17.290	1.832	0.020/0.070	AL-LF	1262RA	
TW/A	2	55.250/55.500	71.450/71.700		2.450		BS	62047BFA	A203/2 STD 0.10



 **EH951** [41][43]
 **EH952** [42]

JJ586
 ⇒ **PA349**
 22.00x16.00x2.000mm



JJ586

[41] Supplementary Article/Supplementary Info 2:
 With cylinder sleeve ring

[42] Supplementary Article/Supplementary Info:
 with gaskets/seals

[43] Supplementary Article/Supplementary Info 2:
 without oil pan gasket

[41] Article complémentaire / Info complémentaire 2:
 avec deux bagues de chemises de cylindre

[42] Article complémentaire /
 Info complémentaire: avec joints

[43] Article complémentaire / Info
 complémentaire 2: sans joint de carter d'huile

[41] Artículo complementario/ Información
 complementaria 2: con segmentos para camisa

[42] Artículo complementario/Información
 complementaria: con juntas

[43] Artículo complementario/ Información
 complementaria 2: sin junta de cárter de aceite

[41] Articolo complementare/Info integrativa 2:
 Con anello tenuta canna cilindro

[42] Articolo complementare/Info
 integrativa: con guarnizioni

[43] Articolo complementare/Info integrativa 2:
 Senza guarnizione coppa olio

CITROEN/PEUGEOT

834	75.00	Petrol			
TU3A (K6D)	4 Cyl.	10.2:1	1360cc	53kW (72)PS	TD24928
TU3A (K6D)	4 Cyl.	10.2:1	1360cc	53kW (72)PS	TD25067
TU3A (K6E)	4 Cyl.	10.2:1	1360cc	53kW (72)PS	TD24930
TU3A (K6E)	4 Cyl.	10.2:1	1360cc	53kW (72)PS	TD25069
TU3A (K6F)	4 Cyl.	10.2:1	1360cc	53kW (72)PS	TD24929
TU3A (K6F)	4 Cyl.	10.2:1	1360cc	53kW (72)PS	TD25068




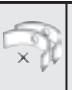

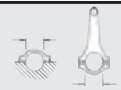











	08-154400-00 STD 08-154407-00 0.50mm 1.75 CR P 2.00 P 3.00 P	14-636600-00 WH B 79.50 C 134.50 D 89.20 E 90.00 	



BE/PL	4	44.975/44.991	48.655/48.671	19.750	1.820	0.024/0.081	AL-LF	62045RA	01-4173/4 STD 0.30 0.50	
MB/HL 2-4	3	49.965/49.981	53.655/53.674	17.290	1.832	0.020/0.070	AL-LF	1261RA	H1071/5 STD 0.30 0.50	
MB/HL 1,5	2	49.965/49.981	53.655/53.674	17.290	1.832	0.020/0.070	AL-LF	1262RA		
TW/A	2	55.250/55.500	71.450/71.700		2.450		BS	62047BFA	A203/2 STD 0.10	







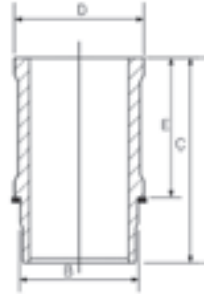

835	75.00	Petrol				
TU3A (KFT)	4 Cyl.	10.2:1	1360cc	54kW (73)PS	TD24931	66
206+	09/10 →					


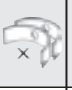
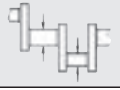
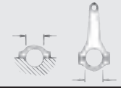











	08-154400-00 STD 08-154407-00 0.50mm 1.75 CR P 2.00 P 3.00 P	14-636600-00 WH B 79.50 C 134.50 D 89.20 E 90.00 	

...Continued

835	 75.00	Petrol								
										
BE/PL	4	44.975/44.991	48.655/48.671	19.750	1.820	0.020/0.080	AL-LF	4650RA	01-4163/4 STD 0.25	
MB/HL 2-4	3	49.965/49.981	53.655/53.674	17.290	1.832	0.020/0.070	AL-LF	1261RA	H1071/5 STD 0.30 0.50	
MB/HL 1,5	2	49.965/49.981	53.655/53.674	17.290	1.832	0.020/0.070	AL-LF	1262RA		
TW/A	2	55.250/55.500	71.450/71.700		2.450		BS	62047BFA	A203/2 STD 0.10	
										
NF870  42.00x66.00x6.00mm, FPM/ACM										

836	 75.00	Petrol								
TU3A (KFT)	4 Cyl.	10.2:1	1360cc	54kW (73)PS				TD25070	66	
TU3A (KFV)	4 Cyl.	9.3:1	1360cc	54kW (73)PS				TD21111	67	
TU3A (KFV)	4 Cyl.	9.3:1	1360cc	54kW (73)PS				TD23774	67	
206	07/02→	206+	01/09→	207	02/06→					
207 SW	06/07→	BIPPER	02/08→	BIPPER Tepee	04/08→					
C3	11/09→	NEMO	02/08→	PARTNER	11/02→10/06					

			
08-154400-00 STD	08-154407-00 0.50mm	14-636600-00 WH	
1.75	 CR P	B 79.50 C 134.50 D 89.20 E 90.00	
2.00	 P		
3.00	 P		

										
BE/PL	4	44.975/44.991	48.655/48.671	19.750	1.820	0.020/0.080	AL-LF	4650RA	01-4163/4 STD 0.25	
MB/HL 2-4	3	49.965/49.981	53.655/53.674	17.290	1.832	0.020/0.070	AL-LF	1261RA	H1071/5 STD 0.30 0.50	
MB/HL 1,5	2	49.965/49.981	53.655/53.674	17.290	1.832	0.020/0.070	AL-LF	1262RA		
TW/A	2	55.250/55.500	71.450/71.700		2.450		BS	62047BFA	A203/2 STD 0.10	
										
NF870  42.00x66.00x6.00mm, FPM/ACM										

CITROEN/PEUGEOT

837



75.00

Petrol



TU3A (KFW)

4 Cyl.

10.2:1

1360cc

55kW (75)PS

TD25066

68

	08-154400-00 STD 08-154407-00 0.50mm 1.75 CR P 2.00 P 3.00 P	14-636600-00 WH B 79.50 C 134.50 D 89.20 E 90.00	

BE/PL	4	44.975/44.991	48.655/48.671	19.750	1.820	0.020/0.080	AL-LF	4650RA	01-4163/4 STD 0.25
MB/HL 2-4	3	49.965/49.981	53.655/53.674	17.290	1.832	0.020/0.070	AL-LF	1261RA	H1071/5 STD 0.30 0.50
MB/HL 1,5	2	49.965/49.981	53.655/53.674	17.290	1.832	0.020/0.070	AL-LF	1262RA	
TW/A	2	55.250/55.500	71.450/71.700		2.450		BS	62047BFA	A203/2 STD 0.10

--	--	--	--

EH951 [41][43]

NF870 42.00x66.00x6.00mm, FPM/ACM
NF850 85.00x105.00x8.00mm, FPM

[41] Supplementary Article/Supplementary Info 2:
With cylinder sleeve ring

[41] Article complémentaire / Info complémentaire 2:
avec deux bagues de chemises de cylindre

[41] Artículo complementario/ Información
complementaria 2: con segmentos para camisa

[41] Articolo complementare/Info integrativa 2:
Con anello tenuta canna cilindro

[43] Supplementary Article/Supplementary Info 2:
without oil pan gasket

[43] Article complémentaire / Info
complémentaire 2: sans joint de carter d'huile

[43] Artículo complementario/ Información
complementaria 2: sin junta de cárter de aceite

[43] Articolo complementare/Info integrativa 2:
Senza guarnizione coppa olio

838



75.00

Petrol



TU3A (KFW)

4 Cyl.

10.2:1

1360cc

55kW (75)PS



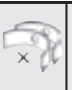
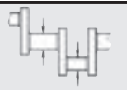
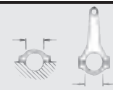



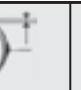



TD24927






69

206+ 01/09→ 207 08/08→

	08-154400-00 STD 08-154407-00 0.50mm 1.75 CR P 2.00 P 3.00 P	14-636600-00 WH B 79.50 C 134.50 D 89.20 E 90.00	

...Continued

838	 75.00	Petrol								
										
BE/PL	4	44.975/44.991	48.655/48.671	19.750	1.820	0.020/0.080	AL-LF	4650RA	01-4163/4 STD 0.25	
MB/HL 2-4	3	49.965/49.981	53.655/53.674	17.290	1.832	0.020/0.070	AL-LF	1261RA	H1071/5 STD 0.30 0.50	
MB/HL 1,5	2	49.965/49.981	53.655/53.674	17.290	1.832	0.020/0.070	AL-LF	1262RA		
TW/A	2	55.250/55.500	71.450/71.700		2.450		BS	62047BFA	A203/2 STD 0.10	



		
EH951 [41][43]		NF870  42.00x66.00x6.00mm, FPM/ACM NF850  85.00x105.00x8.00mm, FPM








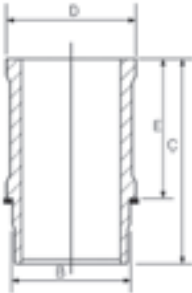
[41] Supplementary Article/Supplementary Info 2: With cylinder sleeve ring
 [43] Supplementary Article/Supplementary Info 2: without oil pan gasket


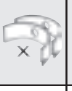

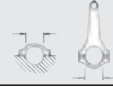



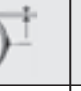



[41] Article complémentaire / Info complémentaire 2: avec deux bagues de chemises de cylindre
 [43] Article complémentaire / Info complémentaire 2: sans joint de carter d'huile

[41] Artículo complementario/ Información complementaria 2: con segmentos para camisa
 [43] Artículo complementario/ Información complementaria 2: sin junta de cárter de aceite

[41] Articulo complementare/Info integrativa 2: Con anello tenuta canna cilindro
 [43] Articulo complementare/Info integrativa 2: Senza guarnizione coppa olio

839	 75.00	Petrol								
TU3A (KFX)	4 Cyl.	10.2:1	1360cc	55kW (75)PS			TD25074			

			
	08-154400-00 STD 08-154407-00 0.50mm	14-636600-00 WH B 79.50 C 134.50 D 89.20 E 90.00	
	1.75  CR P 2.00  P 3.00  P		

										
BE/PL	4	44.975/44.991	48.655/48.671	19.750	1.820	0.020/0.080	AL-LF	4650RA	01-4163/4 STD 0.25	
MB/HL 2-4	3	49.965/49.981	53.655/53.674	17.290	1.832	0.020/0.070	AL-LF	1261RA	H1071/5 STD 0.30 0.50	
MB/HL 1,5	2	49.965/49.981	53.655/53.674	17.290	1.832	0.020/0.070	AL-LF	1262RA		
TW/A	2	55.250/55.500	71.450/71.700		2.450		BS	62047BFA	A203/2 STD 0.10	

840

75.00
Petrol


TU3FJ2 (KFY)	4 Cyl.	9.3:1	1360cc	66kW (89)PS	TD5078	71
TU3FJ2 (KFZ)	4 Cyl.	9.6-9.9	1360cc	69kW (94)PS	TD5096	72

AX 06/91 → 12/96

87-154400-00 STD A 40.50 B- 1.10 BØ 62.00 D 64.50 20x62	08-154400-00 STD 08-154407-00 0.50mm 1.75 CR P 2.00 P 3.00 P	14-636600-00 WH B 79.50 C 134.50 D 89.20 E 90.00 	88-154400-00 87-154400-00 + 14-636600-00

BE/PL	MB/HL 2-4	MB/HL 1,5	TW/A	BE/PL	MB/HL 2-4	MB/HL 1,5	TW/A	BE/PL	MB/HL 2-4	MB/HL 1,5	TW/A
4	3	2	2	4	3	2	2	4	3	2	2
44.975/44.991	49.965/49.981	49.965/49.981	55.250/55.500	44.975/44.991	49.965/49.981	49.965/49.981	55.250/55.500	44.975/44.991	49.965/49.981	49.965/49.981	55.250/55.500
48.655/48.671	53.712/53.731	53.712/53.731	71.450/71.700	48.655/48.671	53.712/53.731	53.712/53.731	71.450/71.700	48.655/48.671	53.712/53.731	53.712/53.731	71.450/71.700
19.750	17.290	17.290	2.450	19.750	17.290	17.290	2.450	19.750	17.290	17.290	2.450
1.820	1.854	1.854		1.820	1.854	1.854		1.820	1.854	1.854	
0.024/0.081	0.023/0.086	0.023/0.086		0.024/0.081	0.023/0.086	0.023/0.086		0.024/0.081	0.023/0.086	0.023/0.086	
AL-LF	AL-LF	AL-LF	BS	AL-LF	AL-LF	AL-LF	BS	AL-LF	AL-LF	AL-LF	BS
62045RA	4151RA	4152RA	62047BFA	62045RA	4151RA	4152RA	62047BFA	62045RA	4151RA	4152RA	62047BFA
01-4173/4 STD 0.30 0.50	H1087/5 STD 0.30		A203/2 STD 0.10	01-4173/4 STD 0.30 0.50	H1087/5 STD 0.30		A203/2 STD 0.10	01-4173/4 STD 0.30 0.50	H1087/5 STD 0.30		A203/2 STD 0.10

EY130 [42]	JJ587 ≡PB852 16.00x24.00x1.500mm 	NF870 42.00x66.00x6.00mm, FPM/ACM NF857 85.00x105.00x9.00mm, FPM/ACM NF850 85.00x105.00x8.00mm, FPM
	JJ587	

[42] Supplementary Article/Supplementary Info: with gaskets/seals

[42] Article complémentaire / Info complémentaire: avec joints

[42] Artículo complementario/Información complementaria: con juntas

[42] Articolo complementare/Info integrativa: con guarnizioni

841

75.00

Petrol



TU3FM (KDY) 4 Cyl. 9.3:1 1360cc 55kW (75)PS TD4277 73

AX 04/87→04/97 C15 05/91→12/96

87-154400-00 STD A 40.50 B- 1.10 BØ 62.00 D 64.50 20x62	08-154400-00 STD 08-154407-00 0.50mm 1.75 CR P 2.00 P 3.00 P	14-636600-00 WH B 79.50 C 134.50 D 89.20 E 90.00 	88-154400-00 87-154400-00 + 14-636600-00

BE/PL	4	44.975/44.991	48.655/48.671	19.750	1.820	0.024/0.081	AL-LF	62045RA	01-4173/4 STD 0.30 0.50 H1087/5 STD 0.30 A203/2 STD 0.10
MB/HL 2-4	3	49.965/49.981	53.712/53.731	17.290	1.854	0.023/0.086	AL-LF	4151RA	
MB/HL 1,5	2	49.965/49.981	53.712/53.731	17.290	1.854	0.023/0.086	AL-LF	4152RA	
TW/A	2	55.250/55.500	71.450/71.700		2.450		BS	62047BFA	

EY130 [42]	JJ587 	NF870 42.00x66.00x6.00mm, FPM/ACM NF857 85.00x105.00x9.00mm, FPM/ACM NF850 85.00x105.00x8.00mm, FPM
	JJ587	

[42] Supplementary Article/Supplementary Info:
with gaskets/seals

[42] Article complémentaire /
Info complémentaire: avec joints

[42] Artículo complementario/Información
complementaria: con juntas

[42] Articolo complementare/Info
integrativa: con guarnizioni

842

75.00
Petrol

TU3J2/Z (KFZ)

4 Cyl.

9.9:1

1360cc

69kW (93)PS
TD2770
74
106

09/91 → 04/96

87-154400-00 STD		08-154400-00 STD 08-154407-00 0.50mm		14-636600-00 WH B 79.50 C 134.50 D 89.20 E 90.00		88-154400-00 87-154400-00 + 14-636600-00	
A 40.50 B- 1.10 BØ 62.00 D 64.50 20x62		1.75 CR P 2.00 P 3.00 P					

BE/PL	4	44.975/44.991	48.655/48.671	19.750	1.820	0.024/0.081	AL-LF	62045RA	01-4173/4 STD 0.30 0.50
MB/HL 2-4	3	49.965/49.981	53.655/53.674	17.290	1.832	0.020/0.070	AL-LF	1261RA	H1071/5 STD 0.30 0.50
MB/HL 1,5	2	49.965/49.981	53.655/53.674	17.290	1.832	0.020/0.070	AL-LF	1262RA	
TW/A	2	55.250/55.500	71.450/71.700		2.450		BS	62047BFA	A203/2 STD 0.10

EH951 [41][43]	PA852 16.00x24.00x1.500mm PA349 22.00x16.00x2.000mm	NF870 42.00x66.00x6.00mm, FPM/ACM NF857 85.00x105.00x9.00mm, FPM/ACM NF850 85.00x105.00x8.00mm, FPM

 [41] Supplementary Article/Supplementary Info 2:
 With cylinder sleeve ring

 [43] Supplementary Article/Supplementary Info 2:
 without oil pan gasket

 [41] Article complémentaire / Info complémentaire 2:
 avec deux bagues de chemises de cylindre

 [43] Article complémentaire / Info
 complémentaire 2: sans joint de carter d'huile

 [41] Artículo complementario/ Información
 complementaria 2: con segmentos para camisa

 [43] Artículo complementario/ Información
 complementaria 2: sin junta de cárter de aceite

 [41] Articolo complementare/Info integrativa 2:
 Con anello tenuta canna cilindro

 [43] Articolo complementare/Info integrativa 2:
 Senza guarnizione coppa olio

843



75.00

Petrol



TU3JP (KFV)	4 Cyl.	10.5:1	1360cc	55kW (75)PS	TD18518	75
206	05/06→09/07	1007	04/05→			

87-138900-30 STD A 27.75 B+ 0.18 D 49.75 18x56	08-138900-00 STD 1.50 CK P 1.50 P 2.50 P	14-636600-00 WH B 79.50 C 134.50 D 89.20 E 90.00 	

BE/PL	4	44.975/44.991	48.655/48.671	19.750	1.820	0.020/0.080	AL-LF	4650RA	01-4163/4 STD 0.25
MB/HL 2-4	3	49.965/49.981	53.655/53.674	17.290	1.832	0.020/0.070	AL-LF	1261RA	H1071/5 STD 0.30 0.50
MB/HL 1,5	2	49.965/49.981	53.655/53.674	17.290	1.832	0.020/0.070	AL-LF	1262RA	
TW/A	2	55.250/55.500	71.450/71.700		2.450		BS	62047BFA	A203/2 STD 0.10

EH951 [41][43]	PB852 16.00x24.00x1.500mm	NF870 42.00x66.00x6.00mm, FPM/ACM NF857 85.00x105.00x9.00mm, FPM/ACM NF850 85.00x105.00x8.00mm, FPM

[41] Supplementary Article/Supplementary Info 2:
With cylinder sleeve ring

[43] Supplementary Article/Supplementary Info 2:
without oil pan gasket

[41] Article complémentaire / Info complémentaire 2:
avec deux bagues de chemises de cylindre


[43] Article complémentaire / Info
complémentaire 2: sans joint de carter d'huile

[41] Artículo complementario/ Información
complementaria 2: con segmentos para camisa

[43] Artículo complementario/ Información
complementaria 2: sin junta de cárter de aceite

[41] Articolo complementare/Info integrativa 2:
Con anello tenuta canna cilindro

[43] Articolo complementare/Info integrativa 2:
Senza guarnizione coppa olio

844
 **75.00**
Petrol

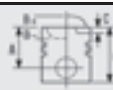








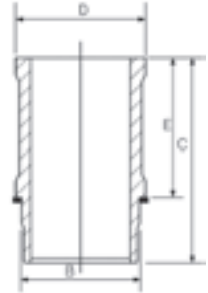



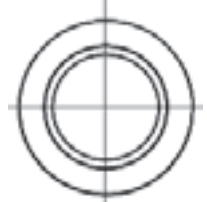



TU3JP (KFV)

4 Cyl.

10.5:1

1360cc

58kW (79)PS
TD16464
75
C2 09/03→ **C3** 02/02→



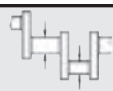
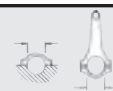






 <p>87-138900-10 STD →01/04</p> <p>A 27.75 B- 1.30 BØ 65.00 D 49.75  18x58</p>  	 <p>08-138900-00 STD</p> <p>1.50  CK P 1.50  P 2.50  P</p>	 <p>14-636600-00 WH B 79.50 C 134.50 D 89.20 E 90.00</p> 	
<p>87-138900-30 [33] STD 01/04→</p> <p>A 27.75 B+ 0.18 D 49.75  18x56</p>  	<p>08-138900-00 STD</p> <p>1.50  CK P 1.50  P 2.50  P</p>		







[33] Euro 4

[33] Euro 4

[33] Euro 4

[33] Euro 4

									
BE/PL	4	44.975/44.991	48.655/48.671	19.750	1.820	0.020/0.080	AL-LF	4650RA	01-4163/4 STD 0.25
MB/HL 2-4	3	49.965/49.981	53.655/53.674	17.290	1.832	0.020/0.070	AL-LF	1261RA	H1071/5 STD 0.30 0.50
MB/HL 1,5	2	49.965/49.981	53.655/53.674	17.290	1.832	0.020/0.070	AL-LF	1262RA	
TW/A	2	55.250/55.500	71.450/71.700		2.450		BS	62047BFA	A203/2 STD 0.10

 <p>EH951 [41][43]</p>	 <p>PB852 16.00x24.00x1.500mm</p>	 <p>NF870  42.00x66.00x6.00mm, FPM/ACM NF857  85.00x105.00x9.00mm, FPM/ACM NF850  85.00x105.00x8.00mm, FPM</p>
--	---	---

 [41] Supplementary Article/Supplementary Info 2:
With cylinder sleeve ring

 [43] Supplementary Article/Supplementary Info 2:
without oil pan gasket

 [41] Article complémentaire / Info complémentaire 2:
avec deux bagues de chemises de cylindre

 [43] Article complémentaire / Info
complémentaire 2: sans joint de carter d'huile

 [41] Artículo complementario/ Información
complementaria 2: con segmentos para camisa

 [43] Artículo complementario/ Información
complementaria 2: sin junta de cárter de aceite

 [41] Articolo complementare/Info integrativa 2:
Con anello tenuta canna cilindro

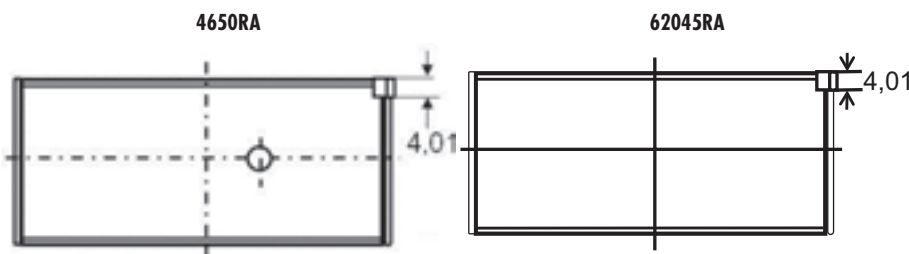
 [43] Articolo complementare/Info integrativa 2:
Senza guarnizione coppa olio

845	75.00	Petrol				
TU3JP (KFW)	4 Cyl.	10.2:1	1360cc	55kW (75PS)	TD14729	76
TU3JP (KFW)	4 Cyl.	10.2:1	1360cc	55kW (75PS)	TD14731	76
106	05/96→	206	09/98→	306	05/93→04/02	
307	08/00→	BERLINGO	07/96→	PARTNER	06/96→	
SAXO	05/96→06/03	XSARA	04/97→08/05			

<p>87-138900-10 STD →01/04</p> <p>A 27.75 B- 1.30 BØ 65.00 D 49.75 18x58</p>	<p>08-138900-00 STD</p> <p>1.50 CK P 1.50 P 2.50 P</p>	<p>14-636600-00 WH B 79.50 C 134.50 D 89.20 E 90.00</p>	
<p>87-138900-30 [33] STD 01/04→</p> <p>A 27.75 B+ 0.18 D 49.75 18x56</p>	<p>08-138900-00 STD</p> <p>1.50 CK P 1.50 P 2.50 P</p>		

[33] Euro 4 [33] Euro 4 [33] Euro 4 [33] Euro 4









BE/PL	4	44.975/44.991	48.655/48.671	19.750	1.820	0.020/0.080	AL-LF	4650RA	01-4163/4 STD 0.25
10/97→									
BE/PL	4	44.975/44.991	48.655/48.671	19.750	1.820	0.024/0.081	AL-LF	62045RA	01-4173/4 STD 0.30 0.50
→09/97									









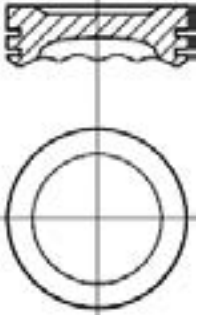

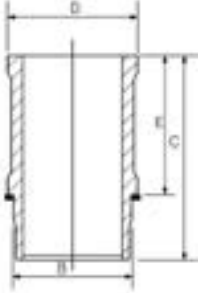

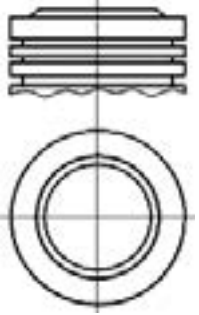


MB/HL 2-4	3	49.965/49.981	53.655/53.674	17.290	1.832	0.020/0.070	AL-LF	1261RA	H1071/5 STD 0.30 0.50
MB/HL 1,5	2	49.965/49.981	53.655/53.674	17.290	1.832	0.020/0.070	AL-LF	1262RA	
TW/A	2	55.250/55.500	71.450/71.700		2.450		BS	62047BFA	A203/2 STD 0.10

CITROEN/PEUGEOT

...Continued



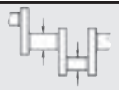
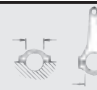






845	 75.00	Petrol
		
 EH951 [41][43]	⇒PB852 16.00x24.00x1.500mm	NF870  42.00x66.00x6.00mm, FPM/ACM NF857  85.00x105.00x9.00mm, FPM/ACM NF850  85.00x105.00x8.00mm, FPM
[41] Supplementary Article/Supplementary Info 2: With cylinder sleeve ring	[41] Article complémentaire / Info complémentaire 2: avec deux bagues de chemises de cylindre	[41] Artículo complementario/ Información complementaria 2: con segmentos para camisa
[43] Supplementary Article/Supplementary Info 2: without oil pan gasket	[43] Article complémentaire / Info complémentaire 2: sans joint de carter d'huile	[43] Artículo complementario/ Información complementaria 2: sin junta de cárter de aceite
		[41] Articolo complementare/Info integrativa 2: Con anello tenuta canna cilindro
		[43] Articolo complementare/Info integrativa 2: Senza guarnizione coppa olio

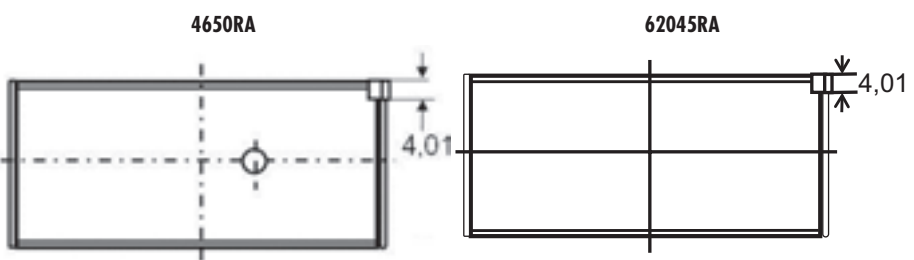
846	 75.00	Petrol				
TU3JP (KFX)	4 Cyl.	10.2:1	1360cc	55kW (75PS)	TD5396	77
TU3JP (KFX)	4 Cyl.	10.2:1	1360cc	55kW (75PS)	TD6554	77
106	05/96→	205	07/88→09/98	206	09/98→	
306	05/93→04/02	BERLINGO	07/96→	PARTNER	06/96→	
SAXO	05/96→06/03	XSARA	04/97→08/05	ZX	03/91→10/97	

			
87-138900-10 →01/04	08-138900-00	14-636600-00 WH B 79.50 C 134.50 D 89.20 E 90.00	
STD	STD		
			
A 27.75 B- 1.30 BØ 65.00 D 49.75  18x58	1.50 CK P 1.50 P 2.50 P		
87-138900-30 [33] 01/04→	08-138900-00		
STD	STD		
			
A 27.75 B+ 0.18 D 49.75  18x56	1.50 CK P 1.50 P 2.50 P		
[33] Euro 4	[33] Euro 4		







...Continued

846  **75.00** **Petrol**

									
BE/PL	4	44.975/44.991	48.655/48.671	19.750	1.820	0.020/0.080	AL-LF	4650RA	01-4163/4 STD 0.25
10/97 →									
BE/PL	4	44.975/44.991	48.655/48.671	19.750	1.820	0.024/0.081	AL-LF	62045RA	01-4173/4 STD 0.30 0.50
→09/97									



MB/HL 2-4	3	49.965/49.981	53.655/53.674	17.290	1.832	0.020/0.070	AL-LF	1261RA	H1071/5 STD 0.30 0.50
MB/HL 1,5	2	49.965/49.981	53.655/53.674	17.290	1.832	0.020/0.070	AL-LF	1262RA	
TW/A	2	55.250/55.500	71.450/71.700		2.450		BS	62047BFA	A203/2 STD 0.10

		
EH951 [41] [43] EH952 [42]	JJ586 ⇒ PB852 16.00x24.00x1.500mm ⇒ PA349 22.00x16.00x2.000mm	NF870  42.00x66.00x6.00mm, FPM/ACM NF857  85.00x105.00x9.00mm, FPM/ACM NF850  85.00x105.00x8.00mm, FPM



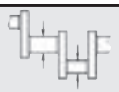
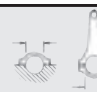








JJ586

[41] Supplementary Article/Supplementary Info 2: With cylinder sleeve ring [42] Supplementary Article/Supplementary Info: with gaskets/seals [43] Supplementary Article/Supplementary Info 2: without oil pan gasket	[41] Article complémentaire / Info complémentaire 2: avec deux bagues de chemises de cylindre [42] Article complémentaire / Info complémentaire: avec joints [43] Article complémentaire / Info complémentaire 2: sans joint de carter d'huile	[41] Artículo complementario/ Información complementaria 2: con segmentos para camisa [42] Artículo complementario/Información complementaria: con juntas [43] Artículo complementario/ Información complementaria 2: sin junta de cárter de aceite	[41] Articolo complementare/Info integrativa 2: Con anello tenuta canna cilindro [42] Articolo complementare/Info integrativa: con guarnizioni [43] Articolo complementare/Info integrativa 2: Senza guarnizione coppa olio
--	--	---	---

847  **75.00** **Petrol** 

TU3JP4 4 Cyl. 10.2:1 1360cc **65kW (88PS)** **TD18164**

									
BE/PL	4	44.975/44.991	48.655/48.671	19.750	1.820	0.020/0.080	AL-LF	4650RA	01-4163/4 STD 0.25
MB/HL 2-4	3	49.965/49.981	53.655/53.674	17.290	1.832	0.020/0.070	AL-LF	1261RA	H1071/5 STD 0.30 0.50
MB/HL 1,5	2	49.965/49.981	53.655/53.674	17.290	1.832	0.020/0.070	AL-LF	1262RA	
TW/A	2	55.250/55.500	71.450/71.700		2.450		BS	62047BFA	A203/2 STD 0.10

848

75.00
Petrol

TU3M/Z (KDX)

4 Cyl.

9.3:1

1360cc

55kW (75PS)
TD5080
79
AX

04/87→04/97

ZX

03/91→10/97

87-154400-00 STD		08-154400-00 STD 08-154407-00 0.50mm		14-636600-00 WH B 79.50 C 134.50 D 89.20 E 90.00		88-154400-00 87-154400-00 + 14-636600-00	
A 40.50 B- 1.10 BØ 62.00 D 64.50 20x62		1.75 CR P 2.00 P 3.00 P					

BE/PL	4	44.975/44.991	48.655/48.671	19.750	1.820	0.024/0.081	AL-LF	62045RA	01-4173/4 STD 0.30 0.50
MB/HL 2-4	3	49.965/49.981	53.655/53.674	17.290	1.832	0.020/0.070	AL-LF	1261RA	H1071/5 STD 0.30 0.50
MB/HL 1,5	2	49.965/49.981	53.655/53.674	17.290	1.832	0.020/0.070	AL-LF	1262RA	
TW/A	2	55.250/55.500	71.450/71.700		2.450		BS	62047BFA	A203/2 STD 0.10

--	--	--

EH951 [41][43]
EH952 [42]

JJ586
NF870 42.00x66.00x6.00mm, FPM/ACM
NF857 85.00x105.00x9.00mm, FPM/ACM
NF850 85.00x105.00x8.00mm, FPM

JJ586

[41] Supplementary Article/Supplementary Info 2:
With cylinder sleeve ring

[42] Supplementary Article/Supplementary Info:
with gaskets/seals

[43] Supplementary Article/Supplementary Info 2:
without oil pan gasket

[41] Article complémentaire / Info complémentaire 2:
avec deux bagues de chemises de cylindre

[42] Article complémentaire / Info complémentaire:
avec joints

[43] Article complémentaire / Info complémentaire 2:
sans joint de carter d'huile

[41] Artículo complementario/ Información complementaria 2: con segmentos para camisa



[42] Artículo complementario/Información complementaria: con juntas


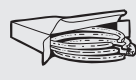






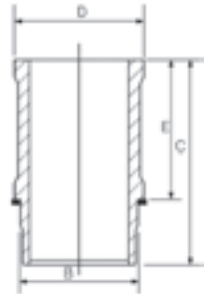
[43] Artículo complementario/ Información complementaria 2: sin junta de cárter de aceite



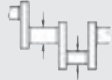
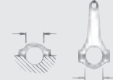






[41] Articolo complementare/Info integrativa 2:
Con anello tenuta canna cilindro







[42] Articolo complementare/Info integrativa: con guarnizioni



[43] Articolo complementare/Info integrativa 2:
Senza guarnizione coppa olio

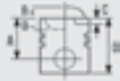
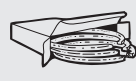
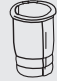

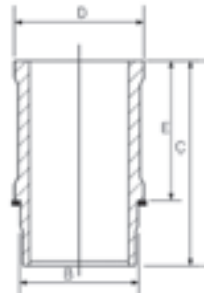
849	 75.00	Petrol				
TU3S (K2B)	4 Cyl.	9.3:1	1360cc	62kW (84PS)	TD2779	81
TU3S (K2B)	4 Cyl.	9.3:1	1360cc	62kW (84PS)	TD669	82
205	06/87→06/94	309	03/89→07/89	AX	01/88→12/92	

			
87-154400-00 STD	08-154400-00 STD 08-154407-00 0.50mm	14-636600-00 WH B 79.50 C 134.50 D 89.20 E 90.00	88-154400-00 87-154400-00 + 14-636600-00
A 40.50 B- 1.10 BØ 62.00 D 64.50  20x62	1.75  CR P 2.00  P 3.00  P		

									
BE/PL	4	44.975/44.991	48.655/48.671	19.750	1.820	0.024/0.081	AL-LF	62045RA	01-4173/4 STD 0.30 0.50
MB/HL 2-4	3	49.965/49.981	53.655/53.674	17.290	1.832	0.020/0.070	AL-LF	1261RA	H1071/5 STD 0.30 0.50
MB/HL 1,5	2	49.965/49.981	53.655/53.674	17.290	1.832	0.020/0.070	AL-LF	1262RA	
TW/A	2	55.250/55.500	71.450/71.700		2.450		BS	62047BFA	A203/2 STD 0.10

		
		NF870  42.00x66.00x6.00mm, FPM/ACM NF857  85.00x105.00x9.00mm, FPM/ACM NF850  85.00x105.00x8.00mm, FPM

850	 75.00	Petrol				
TU32	4 Cyl.	9.3:1	1360cc	51-52kW (70-71PS)	TD8507	83
205	08/90→07/98	PARTNER	06/96→			

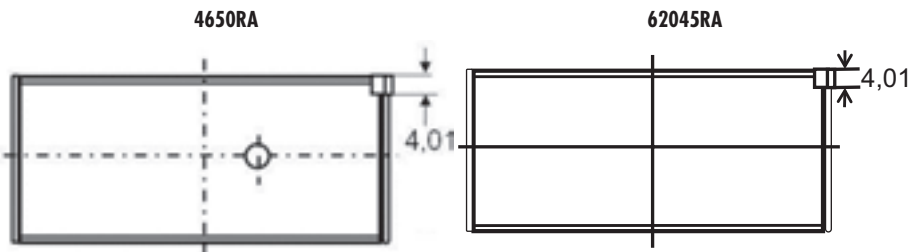
			
		14-636600-00 WH B 79.50 C 134.50 D 89.20 E 90.00	
			

CITROEN/PEUGEOT

...Continued

850 75.00 Diesel

BE/PL	4	44.975/44.991	48.655/48.671	19.750	1.820	0.020/0.080	AL-LF	4650RA	01-4163/4 STD 0.25
01/97 →									
BE/PL	4	44.975/44.991	48.655/48.671	19.750	1.820	0.024/0.081	AL-LF	62045RA	01-4173/4 STD 0.30 0.50
→ 09/97									



MB/HL 2-4	3	49.965/49.981	53.655/53.674	17.290	1.832	0.020/0.070	AL-LF	1261RA	H1071/5 STD 0.30 0.50
MB/HL 1,5	2	49.965/49.981	53.655/53.674	17.290	1.832	0.020/0.070	AL-LF	1262RA	
TW/A	2	55.250/55.500	71.450/71.700		2.450		BS	62047BFA	A203/2 STD 0.10

		NF870 42.00x66.00x6.00mm, FPM/ACM NF850 85.00x105.00x8.00mm, FPM

851 75.00 Diesel

TUD3 (K9A)	4 Cyl.	22:1	1360cc	39kW (53PS)	TD5079	84
TUD3Y (K9Y)	4 Cyl.	22:1	1360cc	39kW (53PS)	TD5092	84
AX	09/88 → 12/97	ZX	07/94 → 10/97			

[38] A 43.00 B- 1.40 D 69.00 23x63	 08-154500-00 STD 2.25 1.75 3.00 P PS P CR P	 15-000340-00 WH [34] B 79.50 C 135.25 E 83.50 	89-154500-30

[34] Includes seals

[34] Inclut des joints

[34] Comprende le guarnizioni

[34] Incluye los sellos

[38] Piston available in Kit Set only


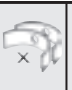
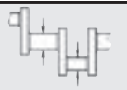
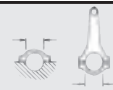






[38] Chemise disponible en kit seulement









[38] I pistoni sono disponibili solo in kit motore

[38] Pistón disponible en conjuntos solamente

...Continued

851  **75.00** **Petrol**

									
BE/PL	4	44.975/44.991	48.655/48.671	19.650	1.820	0.020/0.080	AL-LF	4665RA	01-4165/4 STD
MB/HL 2-4	3	49.965/49.981	53.655/53.674	17.290	1.832	0.020/0.070	AL-LF	1261RA	H1071/5 STD 0.30 0.50
MB/HL 1,5	2	49.965/49.981	53.655/53.674	17.290	1.832	0.020/0.070	AL-LF	1262RA	
TW/A	2	55.250/55.500	71.450/71.700		2.450		BS	62047BFA	A203/2 STD 0.10

		
<p> EH951 [41][43]</p> <p> EH952 [42]</p>	<p>JJ586</p> <p>⇒ PB852</p> <p>16.00x24.00x1.500mm</p> <p>⇒ PA349</p> <p>22.00x16.00x2.000mm</p>	<p>NF870  42.00x66.00x6.00mm, FPM/ACM</p> <p>NF857  85.00x105.00x9.00mm, FPM/ACM</p> <p>NF850  85.00x105.00x8.00mm, FPM</p>



JJ586

[41] Supplementary Article/Supplementary Info 2: With cylinder sleeve ring
 [42] Supplementary Article/Supplementary Info: with gaskets/seals
 [43] Supplementary Article/Supplementary Info 2: without oil pan gasket

[41] Article complémentaire / Info complémentaire 2: avec deux bagues de chemises de cylindre
 [42] Article complémentaire / Info complémentaire: avec joints
 [43] Article complémentaire / Info complémentaire 2: sans joint de carter d'huile

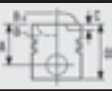






[41] Artículo complementario/ Información complementaria 2: con segmentos para camisa
 [42] Artículo complementario/Información complementaria: con juntas
 [43] Artículo complementario/ Información complementaria 2: sin junta de cárter de aceite


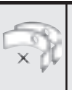
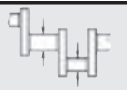
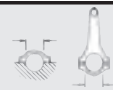






[41] Articolo complementare/Info integrativa 2: Con anello tenuta canna cilindro
 [42] Articolo complementare/Info integrativa: con guarnizioni
 [43] Articolo complementare/Info integrativa 2: Senza guarnizione coppa olio

852  **75.00** **Petrol**

TU3CP (KAY) 4 Cyl. 9.3:1 1361cc 44kW (60PS) **TD2767** **86**

205 08/87→09/93








			
	<p>08-154400-00 STD</p> <p>08-154407-00 0.50mm</p> <p>1.75  CR P</p> <p>2.00  P</p> <p>3.00  P</p>		

									
BE/PL	4	44.975/44.991	48.655/48.671	19.750	1.820	0.024/0.081	AL-LF	62045RA	01-4173/4 STD 0.30 0.50
MB/HL 2-4	3	49.965/49.981	53.655/53.674	17.290	1.832	0.020/0.070	AL-LF	1261RA	H1071/5 STD 0.30 0.50
MB/HL 1,5	2	49.965/49.981	53.655/53.674	17.290	1.832	0.020/0.070	AL-LF	1262RA	
TW/A	2	55.250/55.500	71.450/71.700		2.450		BS	62047BFA	A203/2 STD 0.10

CITROEN/PEUGEOT

...Continued

852 75.00 Petrol

		
<p>EH951 [41][43] EH952 [42]</p>	<p>JJ586 ⇒PB852 16.00x24.00x1.500mm ⇒PA349 22.00x16.00x2.000mm</p> 	<p>NF870  42.00x66.00x6.00mm, FPM/ACM NF857  85.00x105.00x9.00mm, FPM/ACM NF850  85.00x105.00x8.00mm, FPM</p>

JJ586

[41] Supplementary Article/Supplementary Info 2:
With cylinder sleeve ring

[42] Supplementary Article/Supplementary Info:
with gaskets/seals

[43] Supplementary Article/Supplementary Info 2:
without oil pan gasket

[41] Article complémentaire / Info complémentaire 2:
avec deux bagues de chemises de cylindre

[42] Article complémentaire / Info complémentaire: avec joints

[43] Article complémentaire / Info complémentaire 2: sans joint de carter d'huile

[41] Artículo complementario/ Información complementaria 2: con segmentos para camisa

[42] Artículo complementario/Información complementaria: con juntas

[43] Artículo complementario/ Información complementaria 2: sin junta de cárter de aceite

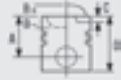

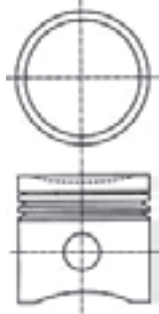





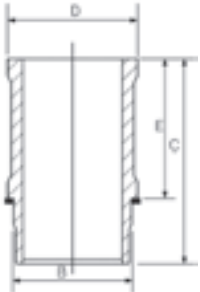

[41] Articolo complementare/Info integrativa 2:
Con anello tenuta canna cilindro



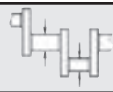
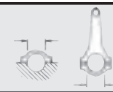






[42] Articolo complementare/Info integrativa: con guarnizioni

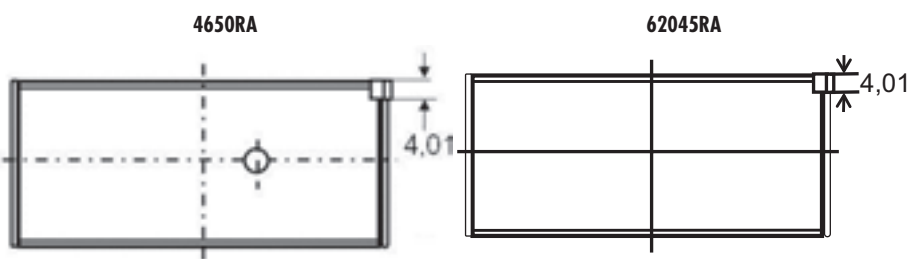
[43] Articolo complementare/Info integrativa 2:
Senza guarnizione coppa olio

853 75.00 Petrol

TU3M (KDY)	4 Cyl.	9.3:1	1361cc	55-58kW (75-79PS)	TD4836	87
106	09/91→04/96	205	07/88→09/98	309	03/89→12/93	

 <p>87-154400-00 STD</p> <p>A 40.50 B- 1.10 BØ 62.00 D 64.50  20x62</p> 	 <p>08-154400-00 STD 08-154407-00 0.50mm</p> <p>1.75  CR P 2.00  P 3.00  P</p>	 <p>14-636600-00 WH B 79.50 C 134.50 D 89.20 E 90.00</p> 	 <p>88-154400-00 87-154400-00 + 14-636600-00</p>
--	---	--	---

									
BE/PL	4	44.975/44.991	48.655/48.671	19.750	1.820	0.020/0.080	AL-LF	4650RA	01-4163/4 STD 0.25
10/97→									
BE/PL	4	44.975/44.991	48.655/48.671	19.750	1.820	0.024/0.081	AL-LF	62045RA	01-4173/4 STD 0.30 0.50
→09/97									



...Continued

853	75.00	Petrol								
MB/HL 2-4	3	49.965/49.981	53.655/53.674	17.290	1.832	0.020/0.070	AL-LF	1261RA	H1071/5 STD 0.30 0.50	
MB/HL 1,5	2	49.965/49.981	53.655/53.674	17.290	1.832	0.020/0.070	AL-LF	1262RA		
TW/A	2	55.250/55.500	71.450/71.700		2.450		BS	62047BFA	A203/2 STD 0.10	

EH951 [41] [43] EH952 [42]	JJ586 ⇒PB852 16.00x24.00x1.500mm	NF870 42.00x66.00x6.00mm, FPM/ACM NF857 85.00x105.00x9.00mm, FPM/ACM NF850 85.00x105.00x8.00mm, FPM



JJ586

[41] Supplementary Article/Supplementary Info 2:
With cylinder sleeve ring

[42] Supplementary Article/Supplementary Info:
with gaskets/seals

[43] Supplementary Article/Supplementary Info 2:
without oil pan gasket

[41] Article complémentaire / Info complémentaire 2:
avec deux bagues de chemises de cylindre

[42] Article complémentaire /
Info complémentaire: avec joints

[43] Article complémentaire / Info
complémentaire 2: sans joint de carter d'huile

[41] Artículo complementario/ Información
complementaria 2: con segmentos para camisa

[42] Artículo complementario/Información
complementaria: con juntas

[43] Artículo complementario/ Información
complementaria 2: sin junta de cárter de aceite

[41] Articolo complementare/Info integrativa 2:
Con anello tenuta canna cilindro

[42] Articolo complementare/Info
integrativa: con guarnizioni

[43] Articolo complementare/Info integrativa 2:
Senza guarnizione coppa olio

854	75.00	Petrol				
TU3M (KDZ)	4 Cyl.	9.3:1	1361cc	55kW (75PS)	TD2775	88
TU3MC (KDX)	4 Cyl.	9.3:1	1361cc	55-56kW (75-76PS)	TD2777	89
106	09/91→04/96	205	07/88→09/98	306	05/93→05/01	
309	03/89→12/93	405	08/92→10/96			

87-154400-00 STD A 40.50 B- 1.10 BØ 62.00 D 64.50 20x62	 08-154400-00 STD 08-154407-00 0.50mm 1.75 CR P 2.00 P 3.00 P	14-636600-00 WH B 79.50 C 134.50 D 89.20 E 90.00 	88-154400-00 87-154400-00 + 14-636600-00

854



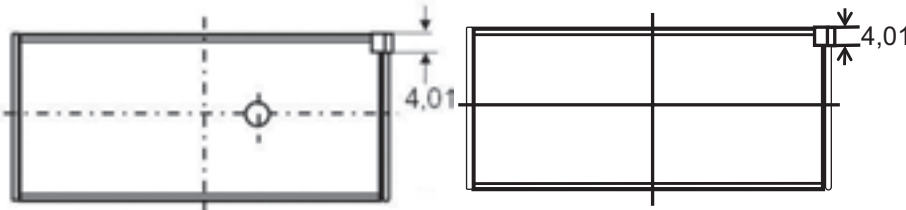
75.00

Petrol

BE/PL	4	44.975/44.991	48.655/48.671	19.750	1.820	0.020/0.080	AL-LF	4650RA	01-4163/4 STD 0.25
10/97 →									
BE/PL	4	44.975/44.991	48.655/48.671	19.750	1.820	0.024/0.081	AL-LF	62045RA	01-4173/4 STD 0.30 0.50
→09/97									

4650RA

62045RA



MB/HL 2-4	3	49.965/49.981	53.655/53.674	17.290	1.832	0.020/0.070	AL-LF	1261RA	H1071/5 STD 0.30 0.50
MB/HL 1,5	2	49.965/49.981	53.655/53.674	17.290	1.832	0.020/0.070	AL-LF	1262RA	
TW/A	2	55.250/55.500	71.450/71.700		2.450		BS	62047BFA	A203/2 STD 0.10



EH951 [41][43]
EH952 [42]

JJ586
PA349
22.00x16.00x2.000mm

NF870 42.00x66.00x6.00mm, FPM/ACM
NF857 85.00x105.00x9.00mm, FPM/ACM
NF850 85.00x105.00x8.00mm, FPM



JJ586

[41] Supplementary Article/Supplementary Info 2:
With cylinder sleeve ring
[42] Supplementary Article/Supplementary Info:
with gaskets/seals
[43] Supplementary Article/Supplementary Info 2:
without oil pan gasket

[41] Article complémentaire / Info complémentaire 2:
avec deux bagues de chemises de cylindre
[42] Article complémentaire /
Info complémentaire: avec joints
[43] Article complémentaire / Info
complémentaire 2: sans joint de carter d'huile

[41] Artículo complementario/ Información
complementaria 2: con segmentos para camisa
[42] Artículo complementario/Información
complementaria: con juntas
[43] Artículo complementario/ Información
complementaria 2: sin junta de cárter de aceite

[41] Articolo complementare/Info integrativa 2:
Con anello tenuta canna cilindro
[42] Articolo complementare/Info
integrativa: con guarnizioni
[43] Articolo complementare/Info integrativa 2:
Senza guarnizione coppa olio

855

75.00

Diesel


TUD3Y (K9Y)

4 Cyl.

22:1

1361cc

39kW (53PS)
TD2786
84
106

09/92→04/96

[38] A 43.00 B- 1.40 D 69.00 23x63	 	08-154500-00 STD 2.25 P PS 1.75 P 3.00 CR P	15-000340-00 WH [34] B 79.50 C 135.25 E 83.50 	89-154500-30

[34] Includes seals

[34] Inclut des joints

[34] Comprende le guarnizioni

[34] Incluye los sellos

[38] Piston available in Kit Set only

[38] Chemise disponible en kit seulement

[38] I pistoni sono disponibili solo in kit motore

[38] Pistón disponible en conjuntos solamente

BE/PL	4	44.975/44.991	48.655/48.671	19.650	1.820	0.020/0.080	AL-LF	4665RA	01-4165/4 STD
MB/HL 2-4	3	49.965/49.981	53.655/53.674	17.290	1.832	0.020/0.070	AL-LF	1261RA	H1071/5 STD 0.30 0.50
MB/HL 1,5	2	49.965/49.981	53.655/53.674	17.290	1.832	0.020/0.070	AL-LF	1262RA	
TW/A	2	55.250/55.500	71.450/71.700		2.450		BS	62047BFA	A203/2 STD 0.10

EH951 [41][43] EH952 [42]	JJ586 = PB852 16.00x24.00x1.500mm = PA349 22.00x16.00x2.000mm 	NF870 42.00x66.00x6.00mm, FPM/ACM NF857 85.00x105.00x9.00mm, FPM/ACM NF850 85.00x105.00x8.00mm, FPM


JJ586

 [41] Supplementary Article/Supplementary Info 2:
With cylinder sleeve ring

 [42] Supplementary Article/Supplementary Info:
with gaskets/seals

 [43] Supplementary Article/Supplementary Info 2:
without oil pan gasket

 [41] Article complémentaire / Info complémentaire 2:
avec deux bagues de chemises de cylindre

 [42] Article complémentaire /
Info complémentaire: avec joints

 [43] Article complémentaire / Info
complémentaire 2: sans joint de carter d'huile

 [41] Artículo complementario/ Información
complementaria 2: con segmentos para camisa

 [42] Artículo complementario/Información
complementaria: con juntas

 [43] Artículo complementario/ Información
complementaria 2: sin junta de cárter de aceite

 [41] Articolo complementare/Info integrativa 2:
Con anello tenuta canna cilindro

 [42] Articolo complementare/Info
integrativa: con guarnizioni

 [43] Articolo complementare/Info integrativa 2:
Senza guarnizione coppa olio

CITROEN/PEUGEOT

856



75.00

Diesel



DV6ATED4 (9HV)

4 Cyl.

17.6:1

1560cc

66kW (90PS)

TD24730

90

207

02/06 →

307

04/05 →



308 SW

09/07 →

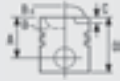








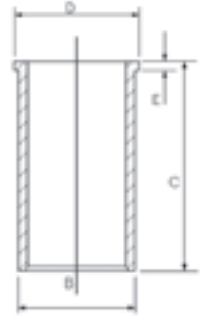
87-424000-00 87-424008-00	STD 0.60mm		08-424000-00 STD 08-424007-00 0.50mm 08-424008-00 0.60mm 3.00 CK P 1.95 P 2.50 CR P 	14-020900-00 D B 78.00 C 142.00 D 79.50 F 5.00				
A 41.70 B- 13.25 BØ 41.80 C 1.20 D 65.30 26x61 AK KK RT TP								



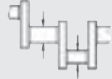







BE/PL	4	46.975/46.991	50.655/50.674	17.000	1.818	0.028/0.063	BS	71-4246	71-4246/4 STD 0.30
MB/HL 1-5	5	49.962/49.981	53.655/53.674	19.900	1.833	0.008/0.046	AL	02-4244	H1066/5 STD 0.30 0.50
TW/A	2	55.200/55.480	71.350/71.700		2.460		AL	04-4245	A217/2 STD
SE/PB	1	26.000	29.000/29.021	19.980			BS	55-4102	55-4102 SEMI





						NA5259 40.00x55.00x6.40mm, PTFE			

857	 75.00	Diesel				
DV6ATED4 (9HX) Euro 4	4 Cyl.	17.6:1	1560cc	66kW (92PS)	TD20147	90
DV6ATED4 (9HX) Euro 4	4 Cyl.	18:1	1560cc	66kW (90PS)	TD19913	90
DV6TED4 (9HY)	4 Cyl.	17.6:1	1560cc	80kW (109PS)	TD19911	90
DV6TED4 (9HY) Euro 4	4 Cyl.	17.6:1	1560cc	80kW (109PS)	TD17506	90
DV6TED4 (9HZ) Euro 4	4 Cyl.	17.6:1	1560cc	80kW (109PS)	TD18520	90
DV6TED4 (9HZ) Euro 4	4 Cyl.	18:1	1560cc	80kW (109PS)	TD19824	90

206	05/04→	207	02/06→	207 CC	02/07→
207 SW	06/07→	307	02/04→	308	09/07→
308 SW	09/07→	407	05/04→	1007	06/07→
3008	06/09→	5008	09/09→	BERLINGO	07/05→
C2	09/05→	C3	09/05→	C3 Picasso	02/09→
C4	11/04→	C4 Grand Picasso	10/06→	C4 Picasso	02/07→
C5	09/04→	PARTNER	02/06→	PARTNER Tepee	04/08→
XSARA PICASSO	05/04→				

			
87-424000-00 STD 87-424008-00 0.60mm A 41.70 B- 13.25 BØ 41.80 C 1.20 D 65.30  26x61 AK KK RT TP	08-424000-00 STD 08-424007-00 0.50mm 08-424008-00 0.60mm 3.00  CK P 1.95  P 2.50  CR P 	14-020900-00 D B 78.00 C 142.00 D 79.50 F 5.00 	

									
BE/PL	4	46.975/46.991	50.655/50.674	17.000	1.818	0.028/0.063	BS	71-4246	71-4246/4 STD 0.30
MB/HL 1-5	5	49.962/49.981	53.655/53.674	19.900	1.833	0.008/0.046	AL	02-4244	H1066/5 STD 0.30 0.50
TW/A	2	55.200/55.480	71.350/71.700		2.460		AL	04-4245	A217/2 STD
SE/PB	1	26.000	29.000/29.021	19.980			BS	55-4102	55-4102 SEMI

		
	=KG5157 10.00x20.00x2.000mm	NA5259  40.00x55.00x6.40mm, PTFE

**Rectification to page 515 - panel 857
Concerning the applications
of the PSA DV6TED4**

CLICK HERE TO JUMP TO PAGE

CITROEN/PEUGEOT

858



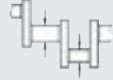







 **75.00**

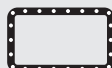
Diesel



DV6AUTED4 (9HX) Euro 4	4 Cyl.	18:1	1560cc	66kW (90PS)	TD25064	91
DV6B Euro 4	4 Cyl.	23:1	1560cc	55kW (75PS)	TD18832	92

BERLINGO 07/05 →

									
BE/PL	4	46.975/46.991	50.655/50.674	17.000	1.818	0.028/0.063	BS	71-4246	71-4246/4 STD 0.30
MB/HL 1-5	5	49.962/49.981	53.655/53.674	19.900	1.833	0.008/0.046	AL	02-4244	H1066/5 STD 0.30 0.50
TW/A	2	55.200/55.480	71.350/71.700		2.460		AL	04-4245	A217/2 STD
SE/PB	1	26.000	29.000/29.021	19.980			BS	55-4102	55-4102 SEMI



NA5259  40.00x55.00x6.40mm, PTFE

859

 **75.00**

Diesel



DV6BTED4 (9HT) Euro 4	4 Cyl.		1560cc	55kW (75PS)	TD23537	93
DV6BTED4 (9HT) Euro 4	4 Cyl.	17.6:1	1560cc	55kW (75PS)	TD21321	93
DV6BUTED4 (9HT) Euro 4	4 Cyl.		1560cc	55kW (75PS)	TD21322	95
DV6ETED (9HW) Euro 4	4 Cyl.	17.6:1	1560cc	55kW (75PS)	TD25632	96


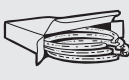


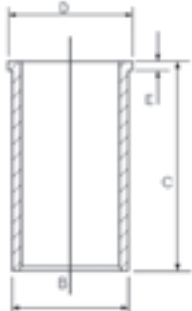
BERLINGO 07/05 →



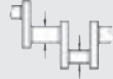







PARTNER

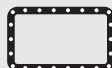
04/08 →

PARTNER Tepee


04/08 →

			
		<p>14-020900-00 D B 78.00 C 142.00 D 79.50 F 5.00</p> 	

									
BE/PL	4	46.975/46.991	50.655/50.674	17.000	1.818	0.028/0.063	BS	71-4246	71-4246/4 STD 0.30
MB/HL 1-5	5	49.962/49.981	53.655/53.674	19.900	1.833	0.008/0.046	AL	02-4244	H1066/5 STD 0.30 0.50
TW/A	2	55.200/55.480	71.350/71.700		2.460		AL	04-4245	A217/2 STD
SE/PB	1	26.000	29.000/29.021	19.980			BS	55-4102	55-4102 SEMI

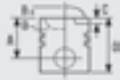

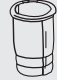





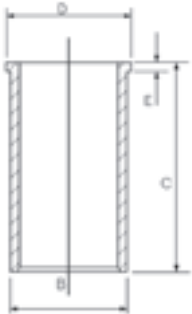




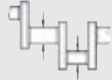
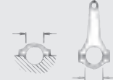






NA5259  40.00x55.00x6.40mm, PTFE



860
 **75.00**
Diesel


DV6BTE4 (9HW)	4 Cyl.	1560cc	55kW (75PS)	TD27840	91
DV6BTE4 (9HW) Euro 4	4 Cyl.	1560cc	55kW (75PS)	TD24701	94

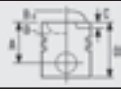
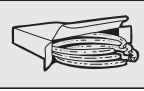


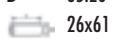



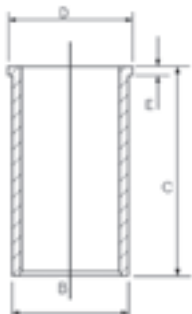
PARTNER 02/06 →



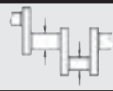
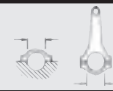






			
	08-433600-00 STD 08-433607-00 0.50mm 2.500  008 CK P 1.950  026 P 2.000  231 LKZ CR P 	14-020900-00 D B 78.00 C 142.00 D 79.50 F 5.00 	

									
BE/PL	4	46.975/46.991	50.655/50.674	17.000	1.818	0.028/0.063	BS	71-4246	71-4246/4 STD 0.30
MB/HL 1-5	5	49.962/49.981	53.655/53.674	19.900	1.833	0.008/0.046	AL	02-4244	H1066/5 STD 0.30 0.50
TW/A	2	55.200/55.480	71.350/71.700		2.460		AL	04-4245	A217/2 STD
SE/PB	1	26.000	29.000/29.021	19.980			BS	55-4102	55-4102 SEMI

861	 75.00	Diesel			
DV6C (9HL)	4 Cyl.	17.6:1	1560cc	82-84kW (112-114PS)	TD26985
DV6C (9HL)	4 Cyl.	17.6:1	1560cc	82-85kW (112-116PS)	TD26986
DV6C (9HR)	4 Cyl.	17.6:1	1560cc	82kW (112PS)	TD25690 91
DV6C (9HR)	4 Cyl.	17.6:1	1560cc	82kW (112PS)	TD26421 91
DV6CTED (9HD)	4 Cyl.		1560cc	84kW (115PS)	TD26896
DV6DBM (9HE) Euro 4	4 Cyl.	18:1	1560cc	66kW (90PS)	TD25095
DV6DTE (9HF)	4 Cyl.	18:1	1560cc	66-68kW (90-92PS)	TD26710
DV6DTE (9HF) Euro 4	4 Cyl.	18:1	1560cc	66kW (90PS)	TD25094
DV6DTE (9HP)	4 Cyl.	18:1	1560cc	68kW (92PS)	TD27064
DV6DTE (9HJ)	4 Cyl.	18:1	1560cc	68kW (92PS)	TD27967
DV6DTE (9HJ) Euro 4	4 Cyl.	18:1	1560cc	68kW (92PS)	TD25093

207	08/09→	207 CC	08/09→	207 SW	08/09→
208	03/12→	301	11/12→	308	11/09→
308 CC	06/09→	308 SW	11/09→	508	11/10→
508 SW	11/10→	2008	03/13→	3008	08/10→
5008	08/10→	BERLINGO	07/10→	C3	11/09→
C3 Picasso	05/10→	C4	11/09→	C4 AIRCROSS	04/12→
C4 Grand Picasso	09/10→	C4 Picasso	09/10→	C5	07/10→
DS3	11/09→	DS4	04/11→	D55	11/11→
PARTNER	04/10→	PARTNER Tepee	04/10→		

			
87-433600-00 STD 87-433607-00 0.50mm	08-433600-00 STD 08-433607-00 0.50mm	14-020900-00 D B 78.00 C 142.00 D 79.50 F 5.00	
A 41.75 B- 13.85 BØ 45.00 D 65.20  26x61 AK KK RT TP	2.500  008 CK P 1.950  026 P 2.000  231 LKZ CR P LKZ-Ring®		

									
MB/HL 1-5	5	49.962/49.981	53.655/53.674	19.900	1.833	0.008/0.046	AL	02-4244	H1066/5 STD 0.30 0.50
TW/A	2	55.200/55.480	71.350/71.700		2.460		AL	04-4245	A217/2 STD
SE/PB	1	26.000	29.000/29.021	19.980			BS	55-4102	55-4102 SEMI

862	75.00	Diesel			
DV6DTE4 (9HP) Euro 4	4 Cyl.	18:1	1560cc	68kW (92PS)	TD25092
DV6ETE4 (9HN) Euro 4	4 Cyl.	17.6:1	1560cc	55kW (75PS)	TD25096
DV6ETEDM (9HK)	4 Cyl.	17.6:1	1560cc	55kW (75PS)	TD27968
DV6ETEDM (9HK) Euro 4	4 Cyl.	17.6:1	1560cc	55kW (75PS)	TD25097
BERLINGO	07/10 →	C3	11/09 →	C3 Picasso	07/10 →
C4	11/09 →	C4 Grand Picasso	09/13 →	C4 Picasso	02/13 →
DS3	11/09 →	DS4	05/11 →		

	08-433600-00 STD 08-433607-00 0.50mm 2.500 008 CK P 1.950 026 P 2.000 231 LKZ CR P 	14-020900-00 D B 78.00 C 142.00 D 79.50 F 5.00 	





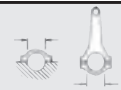




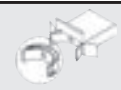

MB/HL 1-5	TW/A	SE/PB	53.655/53.674	71.350/71.700	29.000/29.021	19.900	1.833	0.008/0.046	AL	02-4244	H1066/5 STD 0.30 0.50
									AL	04-4245	A217/2 STD
									BS	55-4102	55-4102 SEMI





863	75.00	Diesel				
DV6UTED4 (9HU)	4 Cyl.	18:1	1560cc	66kW (90PS)	TD24692	94
DV6UTED4 (9HU)	4 Cyl.	18:1	1560cc	66kW (90PS)	TD24693	94
EXPERT	01/07 →	EXPERT Tepee	01/07 →	JUMPY	01/07 →	

87-424000-00 STD 87-424008-00 0.60mm A 41.70 B- 13.25 BØ 41.80 C 1.20 D 65.30 26x61 AK KK RT TP	08-424000-00 STD 08-424007-00 0.50mm 08-424008-00 0.60mm 3.00 CK P 1.95 P 2.50 CR P 	14-020900-00 D B 78.00 C 142.00 D 79.50 F 5.00 	


CITROEN/PEUGEOT

...Continued

863		 75.00	Diesel						
									
BE/PL	4	46.975/46.991	50.655/50.674	17.000	1.818	0.028/0.063	BS	71-4246	71-4246/4 STD 0.30
MB/HL 1-5	5	49.962/49.981	53.655/53.674	19.900	1.833	0.008/0.046	AL	02-4244	H1066/5 STD 0.30 0.50
TW/A	2	55.200/55.480	71.350/71.700		2.460		AL	04-4245	A217/2 STD
SE/PB	1	26.000	29.000/29.021	19.980			BS	55-4102	55-4102 SEMI


864		 76.00	Petrol						
XL3	4 Cyl.	8.8:1	1290cc	48kW (65PS)			TD2816	97	
XL3S	4 Cyl.	8.8:1	1290cc	50-55kW (69-75PS)			TD2818	97	
304	10/69 → 07/76								
									



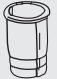




JJ057
=PA349
22.00x16.00x2.000mm




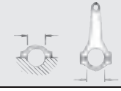








JJ057

NF640 60.50x78.00x9.00mm, MVQ

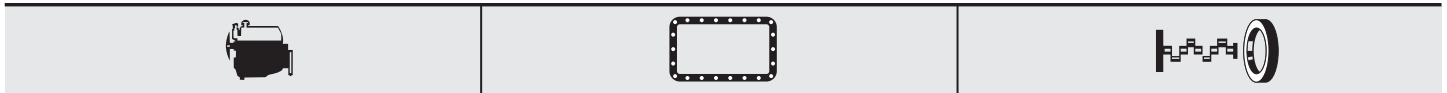
865		 76.70	Petrol						
G1A	4 Cyl.	9.5:1	1294cc	47-48kW (64-65PS)			TD4833	99	
G1A	4 Cyl.	9.5:1	1294cc	47kW (64PS)			TD6565	99	
205	02/84 → 07/92	309	10/85 → 07/89	C15	07/87 → 05/88				

			
<p>08-346000-00 STD</p> <p>1.75  CR P</p> <p>2.00  P</p> <p>4.00  CR [26]</p>			
[26] Steel	[26] Acier	[26] Acciaio	[26] Acero


									
BE/PL	4	40.959/40.967	44.005/44.013	19.240	1.509	0.020/0.061	AL-LF	61820RA	01-4172/4 STD 0.20 0.50
MB/HL 1.5	2	51.966/51.976	55.882/55.892	18.680	1.924	0.058/0.103	AL-LF	61821RA	H1031/5 STD
MB/HL 2.4	6	51.966/51.976	55.882/55.892	18.680	1.924	0.058/0.103	AL-LF	61822RA	
MB/HL 3	1	51.966/51.976	55.882/55.892	24.680	1.924	0.058/0.103	AL-LF	61823RA	



...Continued

865  **76.70** **Petrol** 




EF102

HC341 
 =PA349
 22.00x16.00x2.000mm

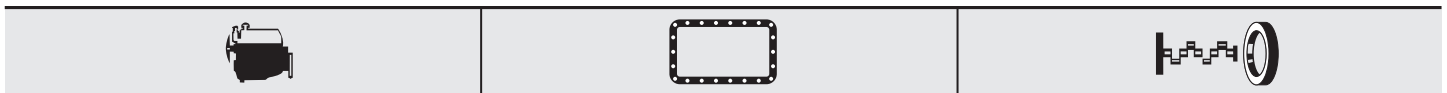
NF694  40.00x58.00x8.00mm, ACM
 NF692  71.00x88.00x8.00mm, MVQ




HC341



866  **76.70** **Petrol** 

Y2/K	4 Cyl.	9.8:1	1442cc	61-63kW (83-86PS)	TD12429	99
205	02/84→12/89		309	06/87→12/89		



EF102

HC341 
 =PA349
 22.00x16.00x2.000mm

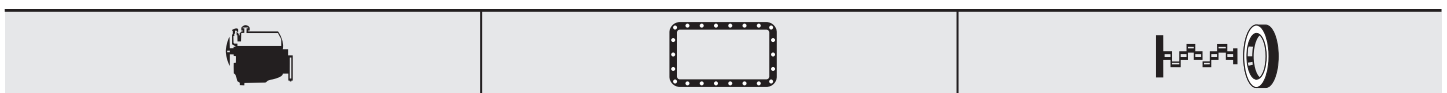
NF694  40.00x58.00x8.00mm, ACM
 NF692  71.00x88.00x8.00mm, MVQ





HC341

867  **77.00** **Petrol** 

V06/665	2 Cyl.	9.5:1	652cc	24kW (33PS)	TD741	100
VISA	07/82→03/91					



=PA217
 16.30x22.00x2.000mm

NF812  30.00x42.00x8.00mm, ACM
 NF810  57.50x70.00x10.00mm, MVQ

868  **77.00** **Petrol** 

V06 630	2 Cyl.	9.5:1	652cc	25kW (34PS)	TD737	101
V06 644	2 Cyl.	9.5:1	652cc	25kW (34PS)	TD738	101
AXEL	10/81→03/91		LNA	11/78→07/86	VISA	09/78→06/88



08-150900-00 [32] STD

- 1.50  P
- 2.00  P
- 3.00  CR [26]



[26] Steel
 [32] Do not fit chromed rings into aluminium cylinders






[26] Acier
 [32] Ne pas monter de segments chromés dans ces cylindres aluminium



[26] Acciaio
 [32] No montar segmentos cromados en camisas de aluminio

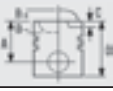
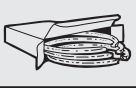



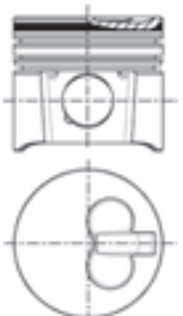



[26] Acero
 [32] No quepa los anillos cromados en los cilindros de aluminio











CITROEN/PEUGEOT








869	 77.00	Petrol				
G12/619	4 Cyl.	8.2:1	1222cc	43kW (58PS)	TD5098	102
GS	09/75 → 07/79					



		
	PA217 16.30x22.00x2.000mm	NF761  42.00x62.00x10.00mm, FPM/ACM NF763  57.50x120.00x10.00mm, FPM/ACM




870	 77.00	Diesel				
TUD5 (VJX)	4 Cyl.	23:1	1527cc	40kW (54PS)	TD16193	107
TUD5 (VJY)	4 Cyl.	23:1	1527cc	42kW (57PS)	TD11890	108
TUD5 (VJZ)	4 Cyl.	23:1	1527cc	42kW (57PS)	TD4842	108
TUD5 (VJZ)	4 Cyl.	23:1	1527cc	42kW (57PS)	TD4296	109
106	06/94 →	106 Van	05/96 → 03/01	AX	08/94 → 12/97	
SAXO	09/96 → 09/03	XSARA	04/97 → 09/00			



			
87-325800-00 STD 87-325806-00 0.40mm A 40.37 B- 1.65 D 66.32  23x60 RT	 08-325800-00 STD 08-325806-00 0.40mm 2.00  CK P 1.75  P 3.00  CR P		








									
BE/PL	4	44.975/44.991	48.655/48.671	17.400	1.820	0.024/0.081	AL-LF	4630RA	01-4362/4 STD
MB/HL 2-4	3	49.965/49.981	53.712/53.731	17.290	1.854	0.023/0.086	AL-LF	4151RA	H1087/5 STD 0.30
MB/HL 1,5	2	49.965/49.981	53.712/53.731	17.290	1.854	0.023/0.086	AL-LF	4152RA	
TW/A	2	55.250/55.500	71.450/71.700		2.450		BS	62047BFA	A203/2 STD 0.10
SE/PB	1	23.000/23.012	25.200/25.221	19.900			BS	4154Y	55-4150 SEMI

		
	JJ587 PB907 14.00x21.00x2.000mm  JJ587	NF870  42.00x66.00x6.00mm, FPM/ACM NF857  85.00x105.00x9.00mm, FPM/ACM NF850  85.00x105.00x8.00mm, FPM



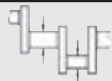







871	 77.00	Petrol				
EP6CDTX (5FU)	4 Cyl.	10.5:1	1598cc	147-149kW (200-203PS)	TD27048	
EP6CDTX (5FU)	4 Cyl.	10.5:1	1598cc	147kW (200PS)	TD27999	
EP6DTS (5FD)	4 Cyl.	10.5:1	1598cc	152kW (207PS)	TD27050	
EP6DTS (5FU) Euro 4	4 Cyl.	10.5:1	1598cc	135kW (184PS)	TD25083	118
EP6DTX (5FU) Euro 4	4 Cyl.	10.5:1	1598cc	147kW (200PS)	TD25084	
208	08/12 →	DS3	02/11 →	DS4	04/11 →	
DS5	11/11 →					






		
	<p>⇒ PA349 22.00x16.00x2.000mm</p>	

872	 78.00	Petrol				
XK5	4 Cyl.	8.8:1	1127cc	43kW (58PS)	TD2815	119
204	09/75 → 07/77	304	10/76 → 10/80	305	11/82 → 12/88	



			
	<p>08-320100-00 STD</p> <p>1.75  CR P 2.00  P 4.00  CR [26]</p>		


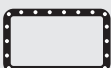


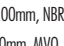

[26] Steel [26] Acier [26] Acciaio [26] Acero



									
BE/PL	4	44.975/44.991	48.655/48.671	19.750	1.820	0.024/0.081	AL-LF	62045RA	01-4173/4 STD 0.30 0.50
TW/A	2	61.150/61.400	76.050/76.300		2.330		BS	66411BF	A228/2 STD 0.10 0.15




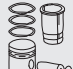



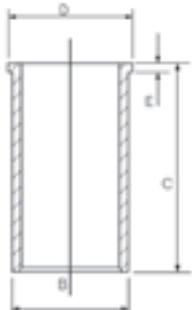
		
	<p>JJ057 ⇒ PA349 22.00x16.00x2.000mm</p> <p> JJ057</p>	<p>NF640  60.50x78.00x9.00mm, MVQ</p>

CITROEN/PEUGEOT











873	 78.00	Diesel	
XLD	4 Cyl.	1225cc	29kW (39PS)
204	05/68 → 05/73		TD2823






		
	<p>⇒ PA349 22.00x16.00x2.000mm JJ057 01/72 → Eng.7931041 →</p>  JJ057	<p>NF387  42.00x60.00x10.00mm, NBR NF640  60.50x78.00x9.00mm, MVQ</p>

874	 78.00	Petrol	
XL5	4 Cyl.	8.8:1	1290cc
XL5 (118)	4 Cyl.	8.8:1	1290cc
XL5S	4 Cyl.	8.8:1	1290cc
304	09/70 → 10/80	305	11/77 → 08/86
			44-48kW (60-65PS)
			44kW (60PS)
			55kW (75PS)
			TD4844 119
			TD2822 120
			TD2821 119

			
	<p>08-320100-00 STD</p> <p>1.75  CR P 2.00  P 4.00  CR [26]</p>	<p>15-636490-00 WH [34] B 82.98 C 133.00 D 89.60 E 97.47</p> 	

[26] Steel [26] Acier [26] Acciaio [26] Acero
 [34] Includes seals [34] Inclut des joints [34] Comprende le guarnizioni [34] Incluye los sellos

									
BE/PL	4	44.975/44.991	48.655/48.671	19.750	1.820	0.024/0.081	AL-LF	62045RA	01-4173/4 STD 0.30 0.50
TW/A	2	61.150/61.400	76.050/76.300		2.330		BS	66411BF	A228/2 STD 0.10 0.15

		
	<p>JJ057 ⇒ PA349 22.00x16.00x2.000mm</p>  JJ057	<p>NF640  60.50x78.00x9.00mm, MVQ</p>

875	78.00	Diesel				
XL4D	4 Cyl.	23.3:1	1357cc	33kW (45PS)	TD2819	121
204	01/73→12/77	304	10/76→10/79			

	08-317600-10 STD 1.75 CR P 2.00 P 3.00 CR P		
	JJ057 =PA349 22.00x16.00x2.000mm JJ057	 NF387 42.00x60.00x10.00mm, NBR NF640 60.50x78.00x9.00mm, MVQ	







876	78.00	Petrol				
XR5 (142)	4 Cyl.		1472cc	54kW (73PS)	TD2749	122
XR5S (117)	4 Cyl.	9.2:1	1472cc	65kW (88PS)	TD2844	122
305	11/79→08/86					



	08-320100-00 STD 1.75 CR P 2.00 P 4.00 CR [26]	15-636490-00 WH [34] B 82.98 C 133.00 D 89.60 E 97.47 	
[26] Steel	[26] Acier	[26] Acciaio	[26] Acero
[34] Includes seals	[34] Inclut des joints	[34] Comprende le guarnizioni	[34] Incluye los sellos








BE/PL	4	44.975/44.991	48.655/48.671	19.750	1.820	0.024/0.081	AL-LF	62045RA	01-4173/4 STD 0.30 0.50
MB/HL 1-5	5	53.036/53.046	56.822/56.832	19.290	1.880	0.020/0.061	AL-LF	66412RA	H1046/5 STD 0.30 0.50
TW/A	2	61.150/61.400	76.050/76.300		2.330		BS	66411BF	A228/2 STD 0.10 0.15



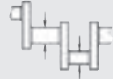







CITROEN/PEUGEOT






...Continued

876	 78.00	Petrol
		
	JJ057 =PA349 22.00x16.00x2.000mm  JJ057	NF640  60.50x78.00x9.00mm, MVQ

877	 78.00	Petrol	
XR5A (142)	4 Cyl.	1472cc	50kW (68PS)
305	09/85→07/90		TD2842 122

			
	08-320100-00 STD 1.75  CR P 2.00  P 4.00  CR [26]		
[26] Steel	[26] Acier	[26] Acciaio	[26] Acero

									
BE/PL	4	44.975/44.991	48.655/48.671	19.750	1.820	0.024/0.081	AL-LF	62045RA	01-4173/4 STD 0.30 0.50
MB/HL 1-5	5	53.036/53.046	56.822/56.832	19.290	1.880	0.020/0.061	AL-LF	66412RA	H1046/5 STD 0.30 0.50
TW/A	2	61.150/61.400	76.050/76.300		2.330		BS	66411BF	A228/2 STD 0.10 0.15

		
	JJ057 =PA349 22.00x16.00x2.000mm  JJ057	NF640  60.50x78.00x9.00mm, MVQ

878	78.50	Petrol				
NFT	4 Cyl.	9.6:1	1587cc	72kW (98PS)	TD15189	123
NFT	4 Cyl.	9.6:1	1587cc	72kW (98PS)	TD18103	123
306	10/00→04/02	SAXO	09/00→04/04			

BE/PL	4	44.975/44.991	48.655/48.671	19.750	1.820	0.024/0.081	AL-LF	62045RA	01-4173/4 STD 0.30 0.50
MB/HL 2-4	3	49.965/49.981	53.712/53.731	17.290	1.854	0.023/0.086	AL-LF	4151RA	H1087/5 STD 0.30
MB/HL 1,5	2	49.965/49.981	53.712/53.731	17.290	1.854	0.023/0.086	AL-LF	4152RA	
TW/A	2	55.250/55.500	71.450/71.700		2.450		BS	62047BFA	A203/2 STD 0.10

EY130 [42]	JJ587 ⇒ PB852 16.00x24.00x1.500mm ⇒ PA349 22.00x16.00x2.000mm 	NF870 42.00x66.00x6.00mm, FPM/ACM NF857 85.00x105.00x9.00mm, FPM/ACM NF850 85.00x105.00x8.00mm, FPM

JJ587

[42] Supplementary Article/Supplementary Info: with gaskets/seals

[42] Article complémentaire / Info complémentaire: avec joints

[42] Artículo complementario/Información complementaria: con juntas

[42] Articolo complementare/Info integrativa: con guarnizioni








879	78.50	Petrol				
TU5J2 (NFW)	4 Cyl.	9.6:1	1587cc	65kW (88PS)	TD4837	124
106	05/96→					



	08-103800-00 STD 08-103806-00 0.40mm 1.50 CK P 1.50 P 3.00 CR P			








BE/PL	4	44.975/44.991	48.655/48.671	19.750	1.820	0.024/0.081	AL-LF	62045RA	01-4173/4 STD 0.30 0.50
MB/HL 2-4	3	49.965/49.981	53.712/53.731	17.290	1.854	0.023/0.086	AL-LF	4151RA	H1087/5 STD 0.30
MB/HL 1,5	2	49.965/49.981	53.712/53.731	17.290	1.854	0.023/0.086	AL-LF	4152RA	
TW/A	2	55.250/55.500	71.450/71.700		2.450		BS	62047BFA	A203/2 STD 0.10



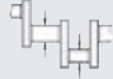







CITROEN/PEUGEOT






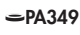




...Continued

879	 78.50	Petrol
		
		NF870  42.00x66.00x6.00mm, FPM/ACM NF857  85.00x105.00x9.00mm, FPM/ACM NF850  85.00x105.00x8.00mm, FPM

880	 78.50	Petrol				
TUSJ2 (NFY)	4 Cyl.	9.6:1	1587cc	65kW (88PS)	TD4838	125
106	01/94 →					

			
	08-103800-00 STD 08-103806-00 0.40mm 1.50  CK P 1.50  P 3.00  CR P		

									
BE/PL	4	44.975/44.991	48.655/48.671	19.750	1.820	0.024/0.081	AL-LF	62045RA	01-4173/4 STD 0.30 0.50
MB/HL 2-4	3	49.965/49.981	53.712/53.731	17.290	1.854	0.023/0.086	AL-LF	4151RA	H1087/5 STD 0.30
MB/HL 1,5	2	49.965/49.981	53.712/53.731	17.290	1.854	0.023/0.086	AL-LF	4152RA	
TW/A	2	55.250/55.500	71.450/71.700		2.450		BS	62047BFA	A203/2 STD 0.10

		
 EY130 [42]	JJ587  PB852 16.00x24.00x1.500mm  PA349 22.00x16.00x2.000mm  JJ587	NF870  42.00x66.00x6.00mm, FPM/ACM NF857  85.00x105.00x9.00mm, FPM/ACM NF850  85.00x105.00x8.00mm, FPM

[42] Supplementary Article/Supplementary Info:
with gaskets/seals

[42] Article complémentaire /
Info complémentaire: avec joints

[42] Artículo complementario/Información
complementaria: con juntas

[42] Articolo complementare/Info
integrativa: con guarnizioni

881	78.50	Petrol	
TU5J4 (NFX)	4 Cyl.	10.8:1	1587cc
			87kW (118PS)
			TD4839 126
106	05/96→		

87-139400-00 STD 87-139407-00 0.50mm A 32.35 B+ 1.30 D 51.30 20x57	 	08-139400-00 STD 08-139406-00 0.40mm 08-139407-00 0.50mm 1.20 CK P 1.50 P 2.50 P	

BE/PL	4	44.975/44.991	48.655/48.671	19.750	1.820	0.024/0.081	AL-LF	62045RA	01-4173/4 STD 0.30 0.50
MB/HL 2-4	3	49.965/49.981	53.712/53.731	17.290	1.854	0.023/0.086	AL-LF	4151RA	H1087/5 STD 0.30
MB/HL 1,5	2	49.965/49.981	53.712/53.731	17.290	1.854	0.023/0.086	AL-LF	4152RA	
TW/A	2	55.250/55.500	71.450/71.700		2.450		BS	620478FA	A203/2 STD 0.10

		NF870 42.00x66.00x6.00mm, FPM/ACM NF857 85.00x105.00x9.00mm, FPM/ACM NF850 85.00x105.00x8.00mm, FPM

882	78.50	Petrol	
TU5JP (NFV)	4 Cyl.	10.2:1	1587cc
			70kW (95PS)
			TD23392 127
XSARA PICASSO	12/99→		

87-103800-00 STD 87-103806-00 0.50mm A 32.25 B- 1.50 BØ 68.50 D 57.50 20x62	 	08-103800-00 STD 08-103806-00 0.40mm →922897 1.50 CK P 1.50 P 3.00 CR P	

CITROEN/PEUGEOT

...Continued

882 78.50 Petrol

BE/PL	4	44.975/44.991	48.655/48.671	19.750	1.820	0.024/0.081	AL-LF	62045RA	01-4173/4 STD 0.30 0.50
MB/HL 2-4	3	49.965/49.981	53.712/53.731	17.290	1.854	0.023/0.086	AL-LF	4151RA	H1087/5 STD 0.30
MB/HL 1,5	2	49.965/49.981	53.712/53.731	17.290	1.854	0.023/0.086	AL-LF	4152RA	
TW/A	2	55.250/55.500	71.450/71.700		2.450		BS	62047BFA	A203/2 STD 0.10

EY130 [42]	JJ587	NF870 42.00x66.00x6.00mm, FPM/ACM NF850 85.00x105.00x8.00mm, FPM



JJ587

[42] Supplementary Article/Supplementary Info:
with gaskets/seals

[42] Article complémentaire /
Info complémentaire: avec joints

[42] Artículo complementario/Información
complementaria: con juntas

[42] Articolo complementare/Info
integrativa: con guarnizioni

883 78.50 Petrol





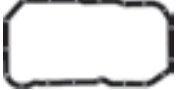



TU5JP (NFZ)	4 Cyl.	9.6:1	1587cc	65kW (88PS)	TD4840	125
106	06/93→		206	09/98→12/00	306	05/93→10/00

87-103800-00 87-103806-00	STD 0.50mm	88-103800-00 88-103806-00	STD 0.40mm	1.50 1.50 3.00					
A 32.25 B- 1.50 BØ 68.50 D 57.50 20x62									

BE/PL	4	44.975/44.991	48.655/48.671	19.750	1.820	0.024/0.081	AL-LF	62045RA	01-4173/4 STD 0.30 0.50
MB/HL 2-4	3	49.965/49.981	53.712/53.731	17.290	1.854	0.023/0.086	AL-LF	4151RA	H1087/5 STD 0.30
MB/HL 1,5	2	49.965/49.981	53.712/53.731	17.290	1.854	0.023/0.086	AL-LF	4152RA	
TW/A	2	55.250/55.500	71.450/71.700		2.450		BS	62047BFA	A203/2 STD 0.10

...Continued

883  **78.50** **Petrol**

		
<p> EY130 [42]</p>	<p>JJ587 ⇒ PB852 16.00x24.00x1.500mm ⇒ PA349 22.00x16.00x2.000mm</p> 	<p>NF870  42.00x66.00x6.00mm, FPM/ACM NF857  85.00x105.00x9.00mm, FPM/ACM NF850  85.00x105.00x8.00mm, FPM</p>





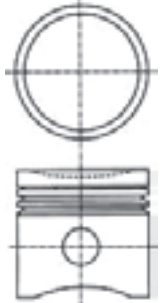




JJ587










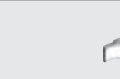

[42] Supplementary Article/Supplementary Info: with gaskets/seals [42] Article complémentaire / Info complémentaire: avec joints [42] Artículo complementario/Información complementaria: con juntas [42] Articolo complementare/Info integrativa: con guarnizioni









884  **78.50** **Petrol** 

TU5JP (NFZ)	4 Cyl.	9.6:1	1587cc	66kW (89PS)	TD9458	125
--------------------	--------	-------	--------	-------------	---------------	------------

SAXO	02/96 → 06/03	XSARA	04/97 → 09/00	XSARA PICASSO	12/99 →
-------------	---------------	--------------	---------------	----------------------	---------

			
<p>87-103800-00 STD 87-103806-00 0.50mm</p>  <p>A 32.25 B- 1.50 BØ 68.50 D 57.50  20x62</p>	<p>08-103800-00 STD 08-103806-00 0.40mm</p> <p>1.50  CK P 1.50  P 3.00  CR P</p>		

										
BE/PL	4	44.975/44.991	48.655/48.671	19.750	1.820	0.024/0.081	AL-LF	62045RA	01-4173/4 STD 0.30 0.50	
MB/HL 2-4	3	49.965/49.981	53.712/53.731	17.290	1.854	0.023/0.086	AL-LF	4151RA	H1087/5 STD 0.30	
MB/HL 1,5	2	49.965/49.981	53.712/53.731	17.290	1.854	0.023/0.086	AL-LF	4152RA		
TW/A	2	55.250/55.500	71.450/71.700		2.450		BS	620478FA	A203/2 STD 0.10	

		
<p> EY130 [42]</p>	<p>JJ587 ⇒ PB852 16.00x24.00x1.500mm ⇒ PA349 22.00x16.00x2.000mm</p> 	<p>NF870  42.00x66.00x6.00mm, FPM/ACM NF857  85.00x105.00x9.00mm, FPM/ACM NF850  85.00x105.00x8.00mm, FPM</p>

JJ587

[42] Supplementary Article/Supplementary Info: with gaskets/seals [42] Article complémentaire / Info complémentaire: avec joints [42] Artículo complementario/Información complementaria: con juntas [42] Articolo complementare/Info integrativa: con guarnizioni

CITROEN/PEUGEOT

885



78.50

Petrol



TU5JP4 (N6A)

4 Cyl.

10.5:1

1587cc

78-80kW (106-109PS)

TD21504

128

87-103800-00 87-103806-00 A 32.25 B- 1.50 BØ 68.50 D 57.50 20x62	STD 0.50mm 	08-139400-00 STD 08-139406-00 0.40mm 08-139407-00 0.50mm 1.20 CK P 1.50 P 2.50 P					

BE/PL	4	44.975/44.991	48.655/48.671	19.750	1.820	0.024/0.081	AL-LF	62045RA	01-4173/4 STD 0.30 0.50 H1087/5 STD 0.30 A203/2 STD 0.10
MB/HL 2-4	3	49.965/49.981	53.712/53.731	17.290	1.854	0.023/0.086	AL-LF	4151RA	
MB/HL 1,5	2	49.965/49.981	53.712/53.731	17.290	1.854	0.023/0.086	AL-LF	4152RA	
TW/A	2	55.250/55.500	71.450/71.700		2.450		BS	62047BFA	

	JH5107 (ACM) = PB852 16.00x24.00x1.500mm = PA349 22.00x16.00x2.000mm	NF870 42.00x66.00x6.00mm, FPM/ACM NF850 85.00x105.00x8.00mm, FPM

886



78.50

Petrol



TU5JP4 (N6A)

4 Cyl.

10.5:1

1587cc

78-80kW (106-109PS)




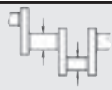
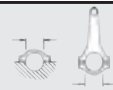






TD21503






128



207 08/08 →

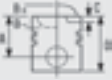
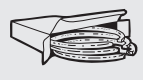

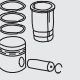




87-103800-00 87-103806-00 A 32.25 B- 1.50 BØ 68.50 D 57.50 20x62	STD 0.50mm 	08-103800-00 STD 08-103806-00 0.40mm 1.50 CK P 1.50 P 3.00 CR P					



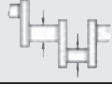
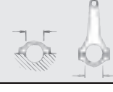






...Continued

886	 78.50	Petrol							
									
BE/PL	4	44.975/44.991	48.655/48.671	19.750	1.820	0.024/0.081	AL-LF	62045RA	01-4173/4 STD 0.30 0.50
MB/HL 2-4	3	49.965/49.981	53.712/53.731	17.290	1.854	0.023/0.086	AL-LF	4151RA	H1087/5 STD 0.30
MB/HL 1,5	2	49.965/49.981	53.712/53.731	17.290	1.854	0.023/0.086	AL-LF	4152RA	
TW/A	2	55.250/55.500	71.450/71.700		2.450		BS	62047BFA	A203/2 STD 0.10

		
	JH5107 (ACM) = PB852 16.00x24.00x1.500mm = PA349 22.00x16.00x2.000mm	NF870  42.00x66.00x6.00mm, FPM/ACM NF850  85.00x105.00x8.00mm, FPM










887	 78.50	Petrol				
TU5JP4 (NFU)	4 Cyl.	10.8:1	1587cc	80kW (109PS)	TD15308	129
TU5JP4 (NFU)	4 Cyl.	10.8:1	1587cc	80kW (109PS)	TD15668	129
206	09/00 →	207	02/06 →	307	08/00 →	
308	04/08 →	308 SW	03/09 →	1007	04/05 →	
BERLINGO	10/00 →	C2	09/03 →	C3	02/02 →	
C4	11/04 →	PARTNER	09/00 →	PARTNER Tepee	04/08 →	
XSARA	09/00 → 08/05	XSARA PICASSO	09/05 →			



			
87-139400-00 87-139407-00 STD 0.50mm A 32.35 B+ 1.30 D 51.30  20x57	08-139400-00 STD 08-139406-00 0.40mm 08-139407-00 0.50mm 1.20  CK P 1.50  P 2.50  P		

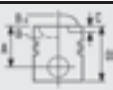
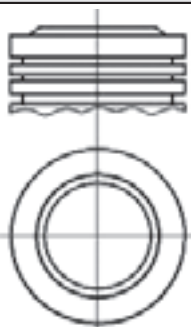


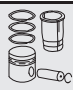




									
BE/PL	4	44.975/44.991	48.655/48.671	19.750	1.820	0.024/0.081	AL-LF	62045RA	01-4173/4 STD 0.30 0.50
MB/HL 2-4	3	49.965/49.981	53.712/53.731	17.290	1.854	0.023/0.086	AL-LF	4151RA	H1087/5 STD 0.30
MB/HL 1,5	2	49.965/49.981	53.712/53.731	17.290	1.854	0.023/0.086	AL-LF	4152RA	
TW/A	2	55.250/55.500	71.450/71.700		2.450		BS	62047BFA	A203/2 STD 0.10




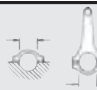






CITROEN/PEUGEOT








...Continued



887	 78.50	Petrol
		
 ED5180	JH5107 (ACM) = PB852 16.00x24.00x1.500mm = PA349 22.00x16.00x2.000mm	NA5260  38.00x50.00x6.00mm, FPM NF870  42.00x66.00x6.00mm, FPM/ACM NF857  85.00x105.00x9.00mm, FPM/ACM NF850  85.00x105.00x8.00mm, FPM











888	 78.50	Petrol	
TU5JP4 (NFX)	4 Cyl.	10.8:1	1587cc
			87kW (118PS)
SAXO	02/96 → 04/04		
			TD10788 130







				
87-139400-00 87-139407-00	STD 0.50mm	08-139400-00 STD 08-139406-00 0.40mm 08-139407-00 0.50mm		
A 32.35 B+ 1.30 D 51.30  20x57		1.20  CK P 1.50  P 2.50  P		



									
BE/PL	4	44.975/44.991	48.655/48.671	19.750	1.820	0.024/0.081	AL-LF	62045RA	01-4173/4 STD 0.30 0.50
MB/HL 2-4	3	49.965/49.981	53.712/53.731	17.290	1.854	0.023/0.086	AL-LF	4151RA	H1087/5 STD 0.30
MB/HL 1,5	2	49.965/49.981	53.712/53.731	17.290	1.854	0.023/0.086	AL-LF	4152RA	
TW/A	2	55.250/55.500	71.450/71.700		2.450		BS	62047BFA	A203/2 STD 0.10











		
		NF870  42.00x66.00x6.00mm, FPM/ACM NA5089  38.00x50.00x8.00mm, NBR NF857  85.00x105.00x9.00mm, FPM/ACM NF850  85.00x105.00x8.00mm, FPM






889	 78.50	Petrol				
TU5JP4B (NFR)	4 Cyl.	11:1	1587cc	66kW (90PS)	TD24700	131
TU5JP4B (NFR)	4 Cyl.	11:1	1587cc	66kW (90PS)	TD21320	131
BERLINGO	04/08 →	PARTNER	04/08 →	PARTNER Tepee	04/08 →	

									
BE/PL	4	44.975/44.991	48.655/48.671	19.750	1.820	0.024/0.081	AL-LF	62045RA	01-4173/4 STD 0.30 0.50
MB/HL 2-4	3	49.965/49.981	53.712/53.731	17.290	1.854	0.023/0.086	AL-LF	4151RA	H1087/5 STD 0.30
MB/HL 1,5	2	49.965/49.981	53.712/53.731	17.290	1.854	0.023/0.086	AL-LF	4152RA	
TW/A	2	55.250/55.500	71.450/71.700		2.450		BS	62047BFA	A203/2 STD 0.10

		
		NF870  42.00x66.00x6.00mm, FPM/ACM NA5089  38.00x50.00x8.00mm, NBR NF850  85.00x105.00x8.00mm, FPM

890	 78.50	Petrol			
TU5JP4S (NFS)	4 Cyl.	1587cc	90kW (122PS)	TD18551	132
C2	01/05 →				

									
BE/PL	4	44.975/44.991	48.655/48.671	19.750	1.820	0.024/0.081	AL-LF	62045RA	01-4173/4 STD 0.30 0.50
MB/HL 2-4	3	49.965/49.981	53.712/53.731	17.290	1.854	0.023/0.086	AL-LF	4151RA	H1087/5 STD 0.30
MB/HL 1,5	2	49.965/49.981	53.712/53.731	17.290	1.854	0.023/0.086	AL-LF	4152RA	
TW/A	2	55.250/55.500	71.450/71.700		2.450		BS	62047BFA	A203/2 STD 0.10

		
ED5180	JH5107 (ACM) ⇒PB852 16.00x24.00x1.500mm ⇒PA349 22.00x16.00x2.000mm	NF870  42.00x66.00x6.00mm, FPM/ACM NF857  85.00x105.00x9.00mm, FPM/ACM

CITROEN/PEUGEOT

891	79.40	Petrol	
G13/625	4 Cyl.	8.7:1	1299cc 48kW (65PS) TD654
G13/646	4 Cyl.	8.7:1	1299cc 48kW (65PS) TD655
GS	09/79 → 07/86		

	08-147900-00 [25] STD		
	1.50 MO P		
	2.00 P		
	3.00 CR [26]		

[25] Ring for 2nd groove with side notch

[25] Segment pour être monté dans la deuxième gorge

[25] Segmento da montare nella seconda seconda cava

[25] Segmento destinado para el montaje en la segunda ranura con

[26] Steel

[26] Acier

[26] Acciaio

[26] Acero

892	80.00	Petrol	
XB5	4 Cyl.	7.5:1	1468cc 39-44kW (53-60PS) TD18878

BE/PL	4	49.975/49.991	53.655/53.674	23.400	1.818	0.030/0.080	AL-LF	2865RA	01-4558/4 STD 0.30 0.50 0.80 1.00

893	80.00	Petrol	
XB5P	4 Cyl.	7.5:1	1468cc 61kW (82PS) TD8494 133

J7	08/68 → 07/70		
-----------	---------------	--	--

BE/PL	4	49.975/49.991	53.655/53.674	23.400	1.818	0.030/0.080	AL-LF	2865RA	01-4558/4 STD 0.30 0.50 0.80 1.00

	⇒KJ647 18.30x24.00x2.000mm	

894



80.00

Diesel



XID (149)

4 Cyl.

22.5:1

1548cc

36kW (49PS)

TD2812

134

305

11/77 → 09/82

	<p>08-319100-10 STD</p> <p>1.75 CR P</p> <p>2.00 P</p> <p>3.00 CR P</p>	<p>14-634110-00 WH [30] [37]</p> <p>B 84.50 C 133.50 D 100.00 E 97.50</p>	

[30] Use also: 1 x HT006

[30] A utiliser aussi: 1 x HT006

[30] Usare anche 1 x HT006

[30] Utilizar también: 1 x HT006

[37] Phosphated

[37] Phosphated

[37] Phosphated

[37] Phosphated

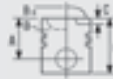

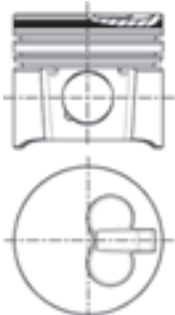




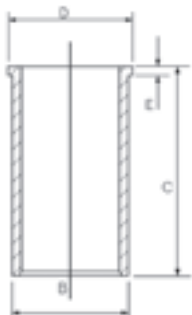

BE/PL	4	44.975/44.991	48.655/48.671	19.750	1.820	0.024/0.081	AL-LF	66410RA	01-4179/4 STD 0.30	
MB/HL 1-5	5	53.036/53.046	56.822/56.832	19.290	1.880	0.020/0.061	AL-LF	66412RA	H1046/5 STD 0.30 0.50	
TW/A	2	61.150/61.400	76.050/76.300		2.330		BS	66411BF	A228/2 STD 0.10 0.15	
SE/PB	1	23.007/23.020	25.000/25.021	23.850			BS	66414Y	55-4265 SEMI	



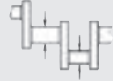
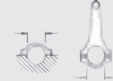






	<p>JJ057 —PA349 22.00x16.00x2.000mm</p> <p>JJ057</p>	<p>NF734 45.00x62.00x10.00mm, MVQ</p> <p>NF640 60.50x78.00x9.00mm, MVQ</p>

CITROEN/PEUGEOT







895
 **80.00**
Diesel


XUD7 (161)	4 Cyl.	23:1	1769cc	44kW (60PS)	TD586	135
XUD7 (161A)	4 Cyl.	23:1	1769cc	44kW (60PS)	TD4258	137
BX	10/85→09/93	C15	07/86→12/00	VISA	04/84→03/91	
XSARA	04/97→09/00	ZX	06/93→10/97			

 87-321500-10 STD 87-321507-10 0.50mm 87-321510-10 0.80mm A 46.80 B- 2.00 D 84.50  25x70	 08-321500-00 STD 08-321507-00 0.50mm 08-321510-00 0.80mm 2.00  CR P 2.00  P 3.00  CR P	 14-024740-00 D B 83.50 C 154.00 D 85.70 E 4.60 14-024830-00 D B 83.00 C 154.00 D 86.00 E 4.50 	
--	--	---	---

									
BE/PL	4	49.984/50.000	53.695/53.708	20.050	1.830	0.040/0.090	AL-LF	66725RA	01-4200/4 STD 0.30 0.50
MB/HL 1-5	5	59.981/60.000	63.731/63.750	20.290	1.845	0.040/0.100	AL-LF	66726RA	H1057/5 STD 0.30 0.50
TW/A	4	67.050/67.300	83.050/83.300		2.330		BS	66721BF	A214/4 STD 0.10
SE/PB	1	25.007/25.020	27.200/27.221	24.050			BS	66729YA	55-4201 SEMI
12/84→									
SE/PB	1	25.007/25.020	27.000/27.021	24.150			BS	66729Y	55-4266 STD SEMI
→11/84									

66729YA
66729Y


		
EL890 [42]	JJ283 [40] ⇒ PA349 22.00x16.00x2.000mm 	NA5191  42.00x62.00x7.00mm, PTFE NA5192  90.00x110.00x7.00mm, PTFE

JJ283

[40] Oil Pan Material: Steel

[40] Matériel pour carter d'huile: acier

[40] Material cárter: Acero

[40] Materiale coppa olio: Acciaio

 [42] Supplementary Article/Supplementary Info:
with gaskets/seals

 [42] Article complémentaire /
Info complémentaire: avec joints

 [42] Artículo complementario/Información
complementaria: con juntas

 [42] Articolo complementare/Info
integrativa: con guarnizioni

896	80.00	Diesel				
XUD7 (161)	4 Cyl.	23:1	1769cc	44kW (60PS)	TD21268	136

BE/PL	4	49.984/50.000	53.695/53.708	20.050	1.830	0.040/0.090	AL-LF	66725RA	01-4200/4 STD 0.30 0.50
MB/HL 1-5	5	59.981/60.000	63.731/63.750	20.290	1.845	0.040/0.100	AL-LF	66726RA	H1057/5 STD 0.30 0.50
TW/A	4	67.050/67.300	83.050/83.300		2.330		BS	66721BF	A214/4 STD 0.10
SE/PB	1	25.007/25.020	27.200/27.221	24.050			BS	66729YA	55-4201 SEMI
12/84 →									
SE/PB	1	25.007/25.020	27.000/27.021	24.150			BS	66729Y	55-4266 STD SEMI
→11/84									

66729YA

66729Y



EL890 [42]	JJ283 [40] =PA349 22.00x16.00x2.000mm	NA5191 42.00x62.00x7.00mm, PTFE NA5192 90.00x110.00x7.00mm, PTFE



JJ283

[40] Oil Pan Material: Steel

[40] Matériel pour carter d'huile: acier

[40] Material cárter: Acero

[40] Materiale coppa olio: Acciaio

[42] Supplementary Article/Supplementary Info:
with gaskets/seals

[42] Article complémentaire /
Info complémentaire: avec joints

[42] Artículo complementario/Información
complementaria: con juntas

[42] Articolo complementare/Info
integrativa: con guarnizioni

897	80.00	Diesel				
XUD7 (161A)	4 Cyl.	23:1	1769cc	44kW (60PS)	TD2882	137

205	08/83 →	305	11/82 → 12/88	309	07/89 → 12/93
------------	---------	------------	---------------	------------	---------------

87-321500-10 87-321507-10 87-321510-10	STD 0.50mm 0.80mm		08-321500-00 STD 08-321507-00 0.50mm 08-321510-00 0.80mm
A 46.80 B- 2.00 D 84.50 25x70		14-024740-00 D B 83.50 C 154.00 D 85.70 E 4.60 14-024830-00 D B 83.00 C 154.00 D 86.00 E 4.50	

897



80.00

Diesel

BE/PL	4	49.984/50.000	53.695/53.708	20.050	1.830	0.040/0.090	AL-LF	66725RA	01-4200/4 STD 0.30 0.50
MB/HL 1-5	5	59.981/60.000	63.731/63.750	20.290	1.845	0.040/0.100	AL-LF	66726RA	H1057/5 STD 0.30 0.50
TW/A	4	67.050/67.300	83.050/83.300		2.330		BS	66721BF	A214/4 STD 0.10
SE/PB	1	25.007/25.020	27.200/27.221	24.050			BS	66729YA	55-4201 SEMI
→11/84									
SE/PB	1	25.007/25.020	27.000/27.021	24.150			BS	66729Y	55-4266 STD SEMI
12/84→									

66729YA

66729Y



EL890 [42]	JJ283 [40] =PA349 22.00x16.00x2.000mm	NA5191 42.00x62.00x7.00mm, PTFE NA5192 90.00x110.00x7.00mm, PTFE



JJ283

[40] Oil Pan Material: Steel

[40] Matériel pour carter d'huile: acier

[40] Material cárter: Acero

[40] Materiale coppa olio: Acciaio

[42] Supplementary Article/Supplementary Info:
with gaskets/seals

[42] Article complémentaire /
Info complémentaire: avec joints

[42] Artículo complementario/Información
complementaria: con juntas

[42] Articolo complementare/Info
integrativa: con guarnizioni

898



80.00

Diesel



XUD7 (A9A) 4 Cyl. 23:1 1769cc 44kW (60PS) TD6555 137

BERLINGO 07/96→ XSARA 04/97→09/00

<p>87-321500-10 STD</p> <p>87-321507-10 0.50mm</p> <p>87-321510-10 0.80mm</p> <p>A 46.80</p> <p>B- 2.00</p> <p>D 84.50</p> <p> 25x70</p>	<p>08-321500-00 STD</p> <p>08-321507-00 0.50mm</p> <p>08-321510-00 0.80mm</p> <p>2.00 CR P</p> <p>2.00 P</p> <p>3.00 CR P</p>	<p>14-024740-00 D</p> <p>B 83.50 C 154.00 D 85.70 E 4.60</p> <p>14-024830-00 D</p> <p>B 83.00 C 154.00 D 86.00 E 4.50</p> <p></p>	

BE/PL	4	49.984/50.000	53.695/53.708	20.050	1.830	0.040/0.090	AL-LF	66725RA	01-4200/4 STD 0.30 0.50
MB/HL 1-5	5	59.981/60.000	63.731/63.750	20.290	1.845	0.040/0.100	AL-LF	66726RA	H1057/5 STD 0.30 0.50
TW/A	4	67.050/67.300	83.050/83.300		2.330		BS	66721BF	A214/4 STD 0.10
SE/PB	1	25.007/25.020	27.200/27.221	24.050			BS	66729YA	55-4201 SEMI

EL890 [42]	JJ283 [40] PA349 22.00x16.00x2.000mm	NA5191 42.00x62.00x7.00mm, PTFE NA5192 90.00x110.00x7.00mm, PTFE

[40] Oil Pan Material: Steel

[42] Supplementary Article/Supplementary Info:
with gaskets/seals

[40] Matériel pour carter d'huile: acier

[42] Article complémentaire /
Info complémentaire: avec joints

[40] Material cárter: Acero

[42] Artículo complementario/Información
complementaria: con juntas

[40] Materiale coppa olio: Acciaio

[42] Articolo complementare/Info
integrativa: con guarnizioni

899

80.00
Diesel


XUD7 (A9A)	4 Cyl.	23:1	1769cc	44kW (60PS)	TD12351	137
205	02/83→07/90	306	05/93→05/01	PARTNER	06/96→	

87-321500-10 STD 87-321507-10 0.50mm 87-321510-10 0.80mm A 46.80 B- 2.00 D 84.50 25x70	08-321500-00 STD 08-321507-00 0.50mm 08-321510-00 0.80mm 2.00 CR P 2.00 P 3.00 CR P	14-024740-00 D B 83.50 C 154.00 D 85.70 E 4.60 14-024830-00 D B 83.00 C 154.00 D 86.00 E 4.50 	

BE/PL	4	49.984/50.000	53.695/53.708	20.050	1.830	0.040/0.090	AL-LF	66725RA	01-4200/4 STD 0.30 0.50
MB/HL 1-5	5	59.981/60.000	63.731/63.750	20.290	1.845	0.040/0.100	AL-LF	66726RA	H1057/5 STD 0.30 0.50
TW/A	4	67.050/67.300	83.050/83.300		2.330		BS	66721BF	A214/4 STD 0.10
SE/PB	1	25.007/25.020	27.000/27.021	24.150			BS	66729Y	55-4266 STD SEMI

EL890 [42]	JJ283 [40] PA349 22.00x16.00x2.000mm 	NA5191 42.00x62.00x7.00mm, PTFE NA5192 90.00x110.00x7.00mm, PTFE

JJ283

[40] Oil Pan Material: Steel

[40] Matériel pour carter d'huile: acier

[40] Material cárter: Acero



[40] Materiale coppa olio: Acciaio










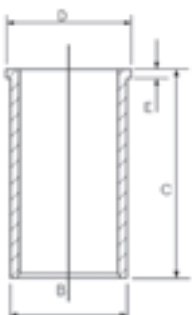
 [42] Supplementary Article/Supplementary Info:
with gaskets/seals



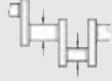







 [42] Article complémentaire /
Info complémentaire: avec joints



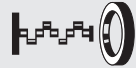

 [42] Artículo complementario/Información
complementaria: con juntas

 [42] Articolo complementare/Info
integrativa: con guarnizioni

900	 80.00	Diesel				
XUD7T	4 Cyl.	22:1	1769cc	58kW (79PS)	TD18394	138
XUD7TE (A8A)	4 Cyl.	22:1	1769cc	66kW (90PS)	TD2884	139
XUD7TE (A8A)	4 Cyl.	22:1	1769cc	66kW (90PS)	TD602	139
XUD7TE (A8B)	4 Cyl.	22:1	1769cc	57kW (78PS)	TD10789	139
XUD7TE (AJZ)	4 Cyl.	22:1	1769cc	66kW (90PS)	TD604	139
XUD7TEY (AJZ)	4 Cyl.	22:1	1769cc	66kW (90PS)	TD2885	140
205	01/90→09/98	309	08/89→12/93	405	03/88→12/92	
BX	03/88→12/94					

				
87-323600-00 87-323607-00	STD 0.50mm	08-323600-00 08-323607-00	STD 0.50mm	14-024740-00 D B 83.50 C 154.00 D 85.70 E 4.60 14-024830-00 D B 83.00 C 154.00 D 86.00 E 4.50
A 46.80 B- 2.20 D 84.50  28x68 AK RT		3.00  MOL P 2.00  P 3.00  CR P		

									
BE/PL	4	49.984/50.000	53.695/53.708	20.000	1.838	0.039/0.073	EC	71-3730	71-3730/4 STD 0.30
MB/HL 1-5	5	59.981/60.000	63.731/63.750	20.290	1.845	0.040/0.100	AL-LF	66726RA	H1057/5 STD 0.30 0.50
TW/A	4	67.050/67.300	83.050/83.300		1.880		AL-LF	4141AF	A188/4 STD
SE/PB	1	28.007/28.020	30.200/30.221	23.100			BS	41450.500	55-4499 SEMI

		
		NA5191  42.00x62.00x7.00mm, PTFE

CITROEN/PEUGEOT

901	81.00	Diesel				
DT17ED4	V6 Cyl.	17.3:1	2720cc	150kW (204PS)	TD19827	143
DT17TED4	6 Cyl.	17.3:1	2720cc	150kW (204PS)	TD18175	141
DT17TED4 (UHZ)	V6 Cyl.	17.3:1	2720cc	150kW (204PS)	TD24868	143
607	12/04→	C5	02/08→	C6	09/05→	








87-432400-00	STD		08-432400-00 STD
A 47.00			2.00 CK
B- 14.05			2.00
BØ 44.00			2.00
C 0.50			
D 71.00			
29x62			
AK KK RT TP			



902	82.20	Diesel				
DW8 (WJZ)	4 Cyl.	23.1:1	1868cc	51kW (69PS)	TD9868	144
DW8 (WJZ)	4 Cyl.	23.1:1	1868cc	51kW (70PS)	TD10708	144
DW8B (WJY)	4 Cyl.	23.1:1	1868cc	51kW (69PS)	TD13788	147
DW8B (WJY)	4 Cyl.	23.1:1	1868cc	51kW (70PS)	TD15310	146
206	09/98→11/01	206 Van	04/99→05/07	306	09/98→04/02	
BERLINGO	07/98→	EXPERT	06/98→	JUMPY	04/98→	
PARTNER	06/96→	XSARA	07/98→08/05			

87-104000-00	STD		08-104000-00 STD
87-104008-00	0.60mm		08-104008-00 0.60mm
A 46.80			2.00 CK P
B- 1.30			2.00 P
D 78.00			3.00 CR P
25x65			
			14-020290-00 D
			B 85.00 C 154.00 D 87.00 E 5.00











BE/PL	4	49.984/50.000	53.695/53.708	20.050	1.830	0.040/0.090	AL-LF	66725RA	01-4200/4	
MB/HL 1-5	5	59.981/60.000	63.731/63.750	20.290	1.845	0.040/0.100	AL-LF	66726RA	H1057/5	
TW/A	2	67.050/67.300	83.050/83.300		2.330		BS	54-3954	A160/4	
TW/A	2	67.050/67.300	83.050/83.300		2.330		BS	54-3955	STD	
SE/PB	1	25.007/25.020	27.200/27.221	24.050			BS	66729YA	55-4201	
									SEMI	







...Continued



902	 82.20	Diesel
		
 EA5830	<p>⇒ KG5157 10.00x20.00x2.000mm</p> <p>⇒ PB907 14.00x21.00x2.000mm</p>	<p>NA5191  42.00x62.00x7.00mm, PTFE</p> <p>NA5192  90.00x110.00x7.00mm, PTFE</p>

903	 82.20	Diesel	
DW8B (WJX)	4 Cyl.	1868cc	44kW (60PS)
			TD26981 145











C15	12/00 → 12/05
------------	---------------




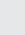
									
BE/PL	4	49.984/50.000	53.695/53.708	20.050	1.830	0.040/0.090	AL-LF	66725RA	01-4200/4 STD 0.30 0.50
MB/HL 1-5	5	59.981/60.000	63.731/63.750	20.290	1.845	0.040/0.100	AL-LF	66726RA	H1057/5 STD 0.30 0.50
TW/A	2	67.050/67.300	83.050/83.300		2.330		BS	54-3954	A160/4 STD
TW/A	2	67.050/67.300	83.050/83.300		2.330		BS	54-3955	
SE/PB	1	25.007/25.020	27.200/27.221	24.050			BS	66729YA	55-4201 SEMI

		
 EA5830		<p>NA5191  42.00x62.00x7.00mm, PTFE</p> <p>NA5192  90.00x110.00x7.00mm, PTFE</p>

904	 82.70	Petrol	
EW7A (6FY)	4 Cyl.	1749cc	92kW (125PS)
EW7A (6FY) Euro 4	4 Cyl.	11:1 1749cc	92kW (125PS)
			TD20026 149
			TD19822 149

407	09/05 →	C4 Grand Picasso	10/06 →	C4 Picasso	02/07 →
C5	09/05 →				

									
BE/PL	4	44.975/44.991	48.655/48.671	22.500	1.825	0.020/0.070	AL	4300RA	01-4155/4 STD 0.30
MB/HL 1-5	5	59.981/60.000	63.708/63.727	21.000	1.844	0.020/0.083	AL-LF	02-3957	H086/5 STD
TW/A	2	67.050/67.300	83.050/83.300		2.330		AL	04-3980	A161/2 STD
CB/NWB	4	27.982/28.000	31.200/31.218	18.150	1.594		AL-LF	03-3981	N151/6 STD
CB/NWB	8	27.982/28.000	31.200/31.218	18.150	1.594		AL-LF	03-3982	

		
	<p>⇒ PB907 14.00x21.00x2.000mm</p>	<p>NA5256  40.00x55.00x6.50mm, FPM</p>

CITROEN/PEUGEOT

905	82.70	Petrol				
EW7A (6FZ)	4 Cyl.	10.8:1	1749cc	85kW (115PS)	TD25085	150
EW7J4 (6FZ)	4 Cyl.	10.8:1	1749cc	85kW (115PS)	TD13548	151
C5	03/01 →	XSARA	09/00 → 10/04	XSARA PICASSO	02/00 →	

BE/PL	4	44.975/44.991	48.655/48.671	22.500	1.825	0.020/0.070	AL	4300RA	01-4155/4 STD 0.30
MB/HL 1-5	5	59.981/60.000	63.708/63.727	21.000	1.844	0.020/0.083	AL-LF	02-3957	H086/5 STD
TW/A	2	67.050/67.300	83.050/83.300		2.330		AL	04-3980	A161/2 STD
CB/NWB	4	27.982/28.000	31.200/31.218	18.150	1.594		AL-LF	03-3981	N151/6 STD
CB/NWB	8	27.982/28.000	31.200/31.218	18.150	1.594		AL-LF	03-3982	

ED5300	PB907 14.00x21.00x2.000mm	NA5256 40.00x55.00x6.50mm, FPM

906	82.70	Petrol			
EW7J4 (6FZ)	4 Cyl.	1749cc	85kW (116PS)	TD15190	151
406	10/00 → 10/04	407	05/04 →		

	08-323400-00 STD		
	1.50 P PS		
	1.50 P		
	3.00 CR P		

BE/PL	4	44.975/44.991	48.655/48.671	22.500	1.825	0.020/0.070	AL	4300RA	01-4155/4 STD 0.30
MB/HL 1-5	5	59.981/60.000	63.708/63.727	21.000	1.844	0.020/0.083	AL-LF	02-3957	H086/5 STD
TW/A	2	67.050/67.300	83.050/83.300		2.330		AL	04-3980	A161/2 STD
CB/NWB	4	27.982/28.000	31.200/31.218	18.150	1.594		AL-LF	03-3981	N151/6 STD
CB/NWB	8	27.982/28.000	31.200/31.218	18.150	1.594		AL-LF	03-3982	

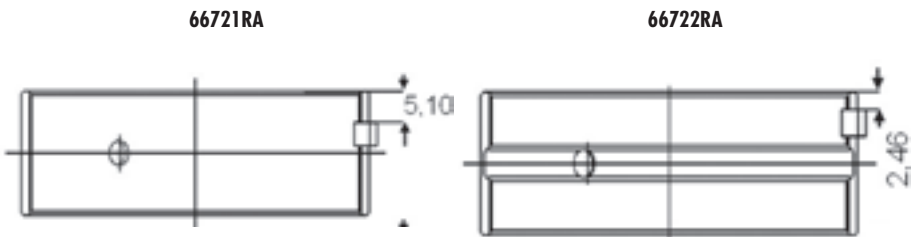
ED5300	PB907 14.00x21.00x2.000mm	NA5256 40.00x55.00x6.50mm, FPM

907	83.00	Petrol					
171A	4 Cyl.	9.5:1	1580cc	66kW (90PS)		TD591	152
171B	4 Cyl.	9.5:1	1580cc	66kW (90PS)		TD592	152
BX		10/82 → 06/88					

<p>[38]</p> <div style="display: flex; justify-content: space-between;"> <div style="width: 20%;"> <p>A 37.55</p> <p>B- 2.10</p> <p>D 67.50</p> 22x66 </div> <div style="width: 60%; text-align: center;"> </div> </div>	<p>08-151200-00 STD</p> <div style="display: flex; justify-content: space-between;"> <div style="width: 20%;"> <p>1.75</p> <p>1.75</p> <p>4.00</p> </div> <div style="width: 60%;"> <p>CR P P CR [26]</p> </div> </div>	<p>14-634910-00 WH [29]</p> <p>B 88.60 C 141.00 D 97.00 E 95.15</p>	<p>89-151200-00</p>
--	--	--	----------------------------

[26] Steel	[26] Acier	[26] Acciaio	[26] Acero
[29] Use also: 1 NB O-Ring HR566	[29] A utiliser aussi: 1 joint toriques HR566	[29] Usare anche: 1 NB O-Ring HR566	[29] Utilizar también: 1 NB junta toricas HR566
[38] Piston available in Kit Set only	[38] Chemise disponible en kit seulement	[38] I pistoni sono disponibili solo in kit motore	[38] Pistón disponible en conjuntos solamente

BE/PL	4	44.975/44.991	48.655/48.671	20.250	1.820	0.024/0.081	AL-LF	66720RA	01-4199/4 STD 0.30	
MB/HL	5	59.990/60.000	63.718/63.727	20.290	1.845	0.028/0.072	AL-LF	66721RA	H1074/5 STD 0.30	
MB/HL	5	59.990/60.000	63.718/63.727	20.290	1.845	0.028/0.072	AL-LF	66722RA		
06/87 →										
MB/HL	4	59.990/60.000	63.718/63.727	20.290	1.845	0.028/0.072	AL-LF	66721RA	H1113/5 STD 0.30	
MB/HL	6	59.990/60.000	63.718/63.727	20.290	1.845	0.028/0.072	AL-LF	66722RA		
11/83 → 05/87										



TW/A	4	67.050/67.300	83.050/83.300	2.330	BS	66721BF	A214/4 STD 0.10
------	---	---------------	---------------	-------	----	---------	--------------------

--	--	--

NA5191 42.00x62.00x7.00mm, PTFE
 NA5192 90.00x110.00x7.00mm, PTFE

908

83.00
Petrol

171C 4 Cyl. 9.5:1 1580cc **66kW (90PS)** **TD593** **153**
BX 10/82→01/92

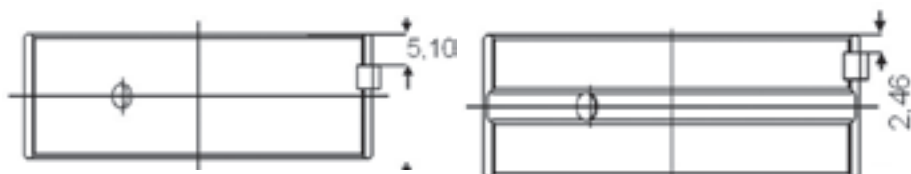
	08-151200-00 STD 1.75 CR P 1.75 P 4.00 CR [26]	14-634910-00 WH [29] B 88.60 C 141.00 D 97.00 E 95.15 	

[26] Steel [26] Acier [26] Acciaio [26] Acero
 [29] Use also: 1 NB O-Ring HR566 [29] A utiliser aussi: 1 joint toriques HR566 [29] Usare anche: 1 NB O-Ring HR566 [29] Utilizar también: 1 NB junta toricas HR566

BE/PL	4	44.975/44.991	48.655/48.671	20.250	1.820	0.024/0.081	AL-LF	66720RA	01-4199/4 STD 0.30	
MB/HL	5	59.990/60.000	63.718/63.727	20.290	1.845	0.028/0.072	AL-LF	66721RA	H1074/5 STD 0.30	
MB/HL	5	59.990/60.000	63.718/63.727	20.290	1.845	0.028/0.072	AL-LF	66722RA		

06/87→

MB/HL	4	59.990/60.000	63.718/63.727	20.290	1.845	0.028/0.072	AL-LF	66721RA	H1113/5 STD 0.30
MB/HL	6	59.990/60.000	63.718/63.727	20.290	1.845	0.028/0.072	AL-LF	66722RA	

11/83→05/87
66721RA
66722RA


TW/A	4	67.050/67.300	83.050/83.300	2.330	BS	66721BF	A214/4 STD 0.10
------	---	---------------	---------------	-------	----	---------	---------------------------

EL650 [42]	JJ283 [40]	NA5191 42.00x62.00x7.00mm, PTFE NA5192 90.00x110.00x7.00mm, PTFE

JJ283

[40] Oil Pan Material: Steel [40] Matériel pour carter d'huile: acier [40] Material cárter: Acero [40] Materiale coppa olio: Acciaio
 [42] Supplementary Article/Supplementary Info: with gaskets/seals [42] Article complémentaire / Info complémentaire: avec joints [42] Artículo complementario/Información complementaria: con juntas [42] Articolo complementare/Info integrativa: con guarnizioni

909


83.00
Petrol

171D 4 Cyl. 9.5:1 1580cc **64kW (87PS)** **TD594** **154**
BX 07/85 → 12/94

<p>[38]</p> <p>A 37.55 B- 2.10 D 67.50</p> <p> 22x66</p>	<p>08-151200-00 STD</p> <p>1.75 CR P 1.75 P 4.00 CR [26]</p>	<p>14-634910-00 WH [29] B 88.60 C 141.00 D 97.00 E 95.15</p> <p></p>	<p>89-151200-00</p>

[26] Steel

[26] Acier

[26] Acciaio

[26] Acero

[29] Use also: 1 NB O-Ring HR566

[29] A utiliser aussi: 1 joint toriques HR566

[29] Usare anche: 1 NB O-Ring HR566

[29] Utilizar también: 1 NB junta toricas HR566

[38] Piston available in Kit Set only

[38] Chemise disponible en kit seulement

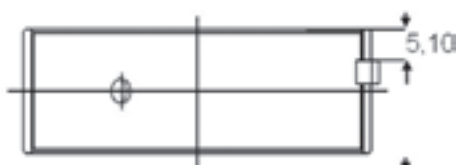
[38] I pistoni sono disponibili solo in kit motore

[38] Pistón disponible en conjuntos solamente

BE/PL	4	44.975/44.991	48.655/48.671	20.250	1.820	0.024/0.081	AL-LF	66720RA	01-4199/4 STD 0.30	
MB/HL	5	59.990/60.000	63.718/63.727	20.290	1.845	0.028/0.072	AL-LF	66721RA	H1074/5 STD 0.30	
MB/HL	5	59.990/60.000	63.718/63.727	20.290	1.845	0.028/0.072	AL-LF	66722RA		

06/87 →









MB/HL	4	59.990/60.000	63.718/63.727	20.290	1.845	0.028/0.072	AL-LF	66721RA	H1113/5 STD 0.30
MB/HL	6	59.990/60.000	63.718/63.727	20.290	1.845	0.028/0.072	AL-LF	66722RA	







→05/87
66721RA
66722RA




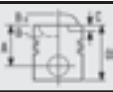






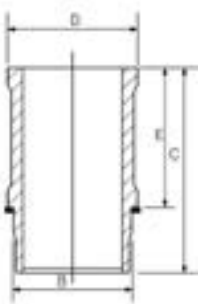
TW/A	4	67.050/67.300	83.050/83.300	2.330	BS	66721BF	A214/4 STD 0.10
------	---	---------------	---------------	-------	----	---------	---------------------------

CITROEN/PEUGEOT

...Continued



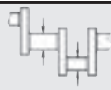
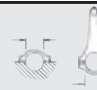






909	 83.00	Petrol
		
 EL650 [42]	JJ283 [40] = PA349 22.00x16.00x2.000mm = PB907 14.00x21.00x2.000mm 	NA5191  42.00x62.00x7.00mm, PTFE NA5192  90.00x110.00x7.00mm, PTFE
[40] Oil Pan Material: Steel [42] Supplementary Article/Supplementary Info: with gaskets/seals	[40] Matériel pour carter d'huile: acier [42] Article complémentaire / Info complémentaire: avec joints	[40] Material cárter: Acero [42] Artículo complementario/Información complementaria: con juntas

910	 83.00	Petrol	
222A2 (1580 SPI)	4 Cyl.	1580cc	59kW (80PS)
EXPERT	02/96 →		TD2753 277
			
	JJ453 		
	JJ453		

911	 83.00	Petrol	
B6D	4 Cyl.	9.8:1	1580cc
BX	01/87 → 01/92	VISA	06/86 → 03/91
			
	08-151200-00 STD 1.75  CR P 1.75  P 4.00  CR [26]	14-634910-00 WH [29] B 88.60 C 141.00 D 97.00 E 95.15 	
[26] Steel [29] Use also: 1 NB O-Ring HR566	[26] Acier [29] A utiliser aussi: 1 joint toriques HR566	[26] Acciaio [29] Usare anche: 1 NB O-Ring HR566	[26] Acero [29] Utilizar también: 1 NB junta toricas HR566

...Continued

911  **83.00** **Petrol**

									
BE/PL	4	44.975/44.991	48.655/48.671	20.250	1.822	0.020/0.077	EC	71-3627	71-3627/4 STD
MB/HL	5	59.990/60.000	63.718/63.727	20.290	1.845	0.028/0.072	AL-LF	66721RA	H1074/5 STD 0.30
MB/HL	5	59.990/60.000	63.718/63.727	20.290	1.845	0.028/0.072	AL-LF	66722RA	

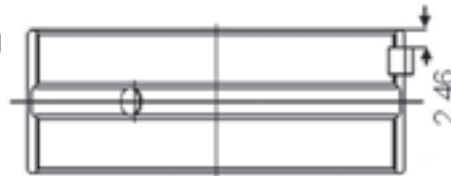
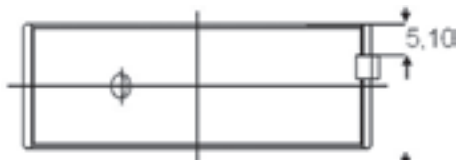
06/87 →

MB/HL	4	59.990/60.000	63.718/63.727	20.290	1.845	0.028/0.072	AL-LF	66721RA	H1113/5 STD 0.30
MB/HL	6	59.990/60.000	63.718/63.727	20.290	1.845	0.028/0.072	AL-LF	66722RA	




→05/87

66721RA

66722RA





TW/A	4	67.050/67.300	83.050/83.300		2.330		BS	66721BF	A214/4 STD 0.10
------	---	---------------	---------------	--	-------	--	----	---------	---------------------------

		
---	---	---

 **EL650** [42]

JJ283 [40]
⇒ **PA349**
22.00x16.00x2.000mm

NA5191  42.00x62.00x7.00mm, PTFE
NA5192  90.00x110.00x7.00mm, PTFE



JJ283

[40] Oil Pan Material: Steel

[40] Matériel pour carter d'huile: acier

[40] Material cárter: Acero

[40] Materiale coppa olio: Acciaio

[42] Supplementary Article/Supplementary Info:
with gaskets/seals

[42] Article complémentaire /
Info complémentaire: avec joints

[42] Artículo complementario/Información
complementaria: con juntas

[42] Articolo complementare/Info
integrativa: con guarnizioni

912

83.00
Petrol


B6E	4 Cyl.	9.8:1	1580cc	85kW (116PS)	TD21866	156
BX	01/87→01/92					

		14-634910-00 WH [29] B 88.60 C 141.00 D 97.00 E 95.15	

[29] Use also: 1 NB O-Ring HR566

[29] A utiliser aussi: 1 joint toriques HR566

[29] Usare anche: 1 NB O-Ring HR566

[29] Utilizar también: 1 NB junta toricas HR566

BE/PL	4	44.975/44.991	48.655/48.671	20.250	1.822	0.020/0.077	EC	71-3627	71-3627/4 STD
MB/HL	5	59.990/60.000	63.718/63.727	20.290	1.845	0.028/0.072	AL-LF	66721RA	H1074/5 STD 0.30
MB/HL	5	59.990/60.000	63.718/63.727	20.290	1.845	0.028/0.072	AL-LF	66722RA	
TW/A	4	67.050/67.300	83.050/83.300		2.330		BS	66721BF	A214/4 STD 0.10

EL650 [42]	JJ283 [40]	NA5191 42.00x62.00x7.00mm, PTFE NA5192 90.00x110.00x7.00mm, PTFE

JJ283

[40] Oil Pan Material: Steel

[40] Matériel pour carter d'huile: acier

[40] Material cárter: Acero

[40] Materiale coppa olio: Acciaio

 [42] Supplementary Article/Supplementary Info:
with gaskets/seals

 [42] Article complémentaire /
Info complémentaire: avec joints

 [42] Artículo complementario/Información
complementaria: con juntas

 [42] Articolo complementare/Info
integrativa: con guarnizioni

913



83.00

Petrol



XUSCP (BAY)

4 Cyl.

9.5:1

1580cc

55kW (75PS)

TD9550

157

BX

09/88 → 12/94

	<p>08-151200-00 STD</p> <p>1.75 CR P</p> <p>1.75 P</p> <p>4.00 CR [26]</p>	<p>14-634910-00 WH [29]</p> <p>B 88.60 C 141.00 D 97.00 E 95.15</p>	

[26] Steel

[26] Acier

[26] Acciaio

[26] Acero

[29] Use also: 1 NB O-Ring HR566

[29] A utiliser aussi: 1 joint toriques HR566

[29] Usare anche: 1 NB O-Ring HR566

[29] Utilizar también: 1 NB junta toricas HR566

BE/PL	4	44.975/44.991	48.655/48.671	20.250	1.820	0.024/0.081	AL-LF	66720RA	01-4199/4 STD 0.30	
MB/HL	5	59.990/60.000	63.718/63.727	20.290	1.845	0.028/0.072	AL-LF	66721RA	H1074/5 STD 0.30	
MB/HL	5	59.990/60.000	63.718/63.727	20.290	1.845	0.028/0.072	AL-LF	66722RA		
TW/A	4	67.050/67.300	83.050/83.300		2.330		BS	66721BF	A214/4 STD 0.10	

EL650 [42]	JJ283 [40]	<p>NA5191 42.00x62.00x7.00mm, PTFE</p> <p>NA5192 90.00x110.00x7.00mm, PTFE</p>

JJ283

[40] Oil Pan Material: Steel

[40] Matériel pour carter d'huile: acier

[40] Material cárter: Acero

[40] Materiale coppa olio: Acciaio

[42] Supplementary Article/Supplementary Info: with gaskets/seals

[42] Article complémentaire / Info complémentaire: avec joints

[42] Artículo complementario/Información complementaria: con juntas

[42] Articolo complementare/Info integrativa: con guarnizioni

914

83.00

Petrol



XUSCP (BAZ)

4 Cyl.

9.5:1

1580cc

76kW (103PS)

TD9551

157

BX

09/88 → 12/94



	<p>08-151200-00 STD</p> <p>1.75 CR P 1.75 P 4.00 CR [26]</p>	<p>14-634910-00 WH [29] B 88.60 C 141.00 D 97.00 E 95.15</p> <p style="text-align: center;"></p>	








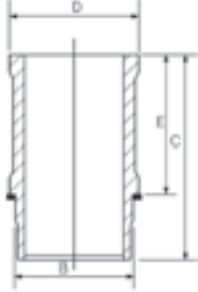
[26] Steel [26] Acier [26] Acciaio [26] Acero
 [29] Use also: 1 NB O-Ring HR566 [29] A utiliser aussi: 1 joint toriques HR566 [29] Usare anche: 1 NB O-Ring HR566 [29] Utilizar también: 1 NB junta toricas HR566

BE/PL	4	44.975/44.991	48.655/48.671	20.250	1.820	0.024/0.081	AL-LF	66720RA	01-4199/4 STD 0.30	
MB/HL	5	59.990/60.000	63.718/63.727	20.290	1.845	0.028/0.072	AL-LF	66721RA	H1074/5 STD 0.30	
MB/HL	5	59.990/60.000	63.718/63.727	20.290	1.845	0.028/0.072	AL-LF	66722RA		
TW/A	4	67.050/67.300	83.050/83.300		2.330		BS	66721BF	A214/4 STD 0.10	











<p>EL650 [42]</p>	<p>JJ283 [40] =PA349 22.00x16.00x2.000mm =PB907 14.00x21.00x2.000mm</p> <p style="text-align: center;"></p> <p>JJ283</p>	<p>NA5191 42.00x62.00x7.00mm, PTFE NA5192 90.00x110.00x7.00mm, PTFE</p>

[40] Oil Pan Material: Steel [40] Matériel pour carter d'huile: acier [40] Material cárter: Acero [40] Materiale coppa olio: Acciaio
 [42] Supplementary Article/Supplementary Info: [42] Article complémentaire / [42] Artículo complementario/Información [42] Articolo complementare/Info
 with gaskets/seals Info complémentaire: avec joints complementaria: con juntas integrativa: con guarnizioni

915	 83.00	Petrol				
XU51C (B1E)	4 Cyl.	9.5:1	1580cc	53kW (72PS)	TD607	169
XU51C (B1E)	4 Cyl.	9:1	1580cc	53-55kW (72-75PS)	TD2856	170
XU52C/K (B2A)	4 Cyl.	9.5:1	1580cc	68kW (92PS)	TD12430	173
XU5CP (BAZ)	4 Cyl.	9.5:1	1580cc	54-55kW (74-75PS)	TD2859	157
205	08/86→09/98	305	11/86→12/88	309	09/86→12/93	
405	01/87→05/97	BX	01/87→12/94			

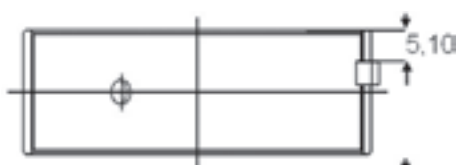
			
	08-151200-00 STD 1.75  CR P 1.75  P 4.00  CR [26]	14-634910-00 WH [29] B 88.60 C 141.00 D 97.00 E 95.15 	

[26] Steel [26] Acier [26] Acciaio [26] Acero
 [29] Use also: 1 NB O-Ring HR566 [29] A utiliser aussi: 1 joint toriques HR566 [29] Usare anche: 1 NB O-Ring HR566 [29] Utilizar también: 1 NB junta toricas HR566








									
BE/PL	4	44.975/44.991	48.655/48.671	20.250	1.820	0.024/0.081	AL-LF	66720RA	01-4199/4 STD 0.30
MB/HL	5	59.990/60.000	63.718/63.727	20.290	1.845	0.028/0.072	AL-LF	66721RA	H1074/5 STD 0.30
MB/HL	5	59.990/60.000	63.718/63.727	20.290	1.845	0.028/0.072	AL-LF	66722RA	
06/87→									
MB/HL	4	59.990/60.000	63.718/63.727	20.290	1.845	0.028/0.072	AL-LF	66721RA	H1113/5 STD 0.30
MB/HL	6	59.990/60.000	63.718/63.727	20.290	1.845	0.028/0.072	AL-LF	66722RA	
11/83→05/87									


66721RA

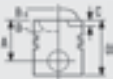






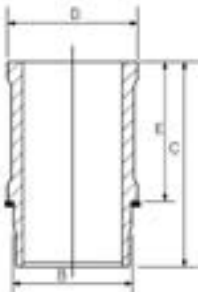
66722RA



TW/A	4	67.050/67.300	83.050/83.300	2.330	BS	66721BF	A214/4 STD 0.10
------	---	---------------	---------------	-------	----	---------	---------------------------



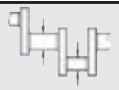
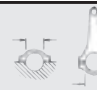






915		83.00	Petrol		
					
 EL650 [42]	JJ283 [40] = PA349 22.00x16.00x2.000mm = PB907 14.00x21.00x2.000mm 	NA5191  42.00x62.00x7.00mm, PTFE NA5192  90.00x110.00x7.00mm, PTFE			
[40] Oil Pan Material: Steel [42] Supplementary Article/Supplementary Info: with gaskets/seals	[40] Matériel pour carter d'huile: acier [42] Article complémentaire / Info complémentaire: avec joints	[40] Material cárter: Acero [42] Artículo complementario/Información complementaria: con juntas	[40] Materiale coppa olio: Acciaio [42] Articolo complementare/Info integrativa: con guarnizioni		

916		83.00	Petrol		
XU5J (180A)	4 Cyl.	9.8:1	1580cc	76kW (103PS)	TD2861 158
XU5J (180Z)	4 Cyl.	9.8:1	1580cc	76kW (103PS)	TD2862 159
XU5J (B6B)	4 Cyl.	9.8:1	1580cc	76kW (103PS)	TD2858 160
205	12/84 → 10/90	309	11/85 → 09/88		

			
	08-322400-00 STD 1.50  MO P 1.50  P 4.00  CR P	14-634910-00 WH [29] B 88.60 C 141.00 D 97.00 E 95.15 	
[29] Use also: 1 NB O-Ring HR566	[29] A utiliser aussi: 1 joint toriques HR566	[29] Usare anche: 1 NB O-Ring HR566	[29] Utilizar también: 1 NB junta toricas HR566

...Continued

916  **83.00** **Petrol**

									
BE/PL	4	44.975/44.991	48.655/48.671	20.250	1.822	0.020/0.077	EC	71-3627	71-3627/4 STD
MB/HL	5	59.990/60.000	63.718/63.727	20.290	1.845	0.028/0.072	AL-LF	66721RA	H1074/5 STD 0.30
MB/HL	5	59.990/60.000	63.718/63.727	20.290	1.845	0.028/0.072	AL-LF	66722RA	

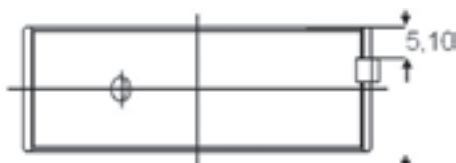
06/87 →

MB/HL	4	59.990/60.000	63.718/63.727	20.290	1.845	0.028/0.072	AL-LF	66721RA	H1113/5 STD 0.30
MB/HL	6	59.990/60.000	63.718/63.727	20.290	1.845	0.028/0.072	AL-LF	66722RA	




→05/87

66721RA

66722RA





TW/A	4	67.050/67.300	83.050/83.300	2.330	BS	66721BF	A214/4 STD 0.10
------	---	---------------	---------------	-------	----	---------	---------------------------

		
---	---	---

 **EL650** [42]

JJ283 [40]
⇒ **PA349**
22.00x16.00x2.000mm
⇒ **PB907**
14.00x21.00x2.000mm

NA5191  42.00x62.00x7.00mm, PTFE
NA5192  90.00x110.00x7.00mm, PTFE



JJ283

[40] Oil Pan Material: Steel

[40] Matériel pour carter d'huile: acier

[40] Material cárter: Acero

[40] Materiale coppa olio: Acciaio

[42] Supplementary Article/Supplementary Info:
with gaskets/seals

[42] Article complémentaire /
Info complémentaire: avec joints

[42] Artículo complementario/Información
complementaria: con juntas

[42] Articolo complementare/Info
integrativa: con guarnizioni

917



83.00

Petrol



XU5J (180A)

4 Cyl.

9.8:1

1580cc

76kW (103)PS

TD596

158

VISA

01/85 → 06/86

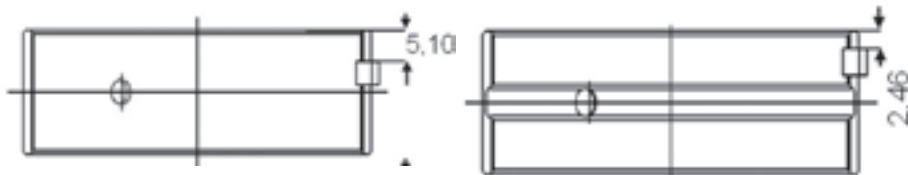
	<p>08-151200-00 STD</p> <p>1.75 CR P</p> <p>1.75 P</p> <p>4.00 CR [26]</p>	<p>14-634910-00 WH [29]</p> <p>B 88.60 C 141.00 D 97.00 E 95.15</p>	

[26] Steel [26] Acier [26] Acciaio [26] Acero
 [29] Use also: 1 NB O-Ring HR566 [29] A utiliser aussi: 1 joint toriques HR566 [29] Usare anche: 1 NB O-Ring HR566 [29] Utilizar también: 1 NB junta toricas HR566

BE/PL	4	44.975/44.991	48.655/48.671	20.250	1.822	0.020/0.077	EC	71-3627	71-3627/4 STD	
MB/HL	5	59.990/60.000	63.718/63.727	20.290	1.845	0.028/0.072	AL-LF	66721RA	H1074/5 STD 0.30	
MB/HL	5	59.990/60.000	63.718/63.727	20.290	1.845	0.028/0.072	AL-LF	66722RA		
06/87 →										
MB/HL	4	59.990/60.000	63.718/63.727	20.290	1.845	0.028/0.072	AL-LF	66721RA	H1113/5 STD 0.30	
MB/HL	6	59.990/60.000	63.718/63.727	20.290	1.845	0.028/0.072	AL-LF	66722RA		
→05/87										









66721RA



66722RA

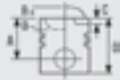
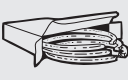
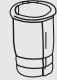





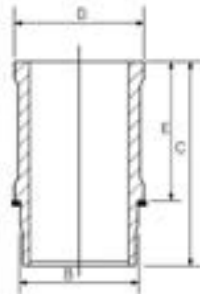


TW/A	4	67.050/67.300	83.050/83.300	2.330	BS	66721BF	A214/4 STD 0.10
------	---	---------------	---------------	-------	----	---------	---------------------------

...Continued

917	 83.00	Petrol
		
 EL650 [42]	JJ283 [40] = PA349 22.00x16.00x2.000mm = PB907 14.00x21.00x2.000mm  JJ283	NA5191  42.00x62.00x7.00mm, PTFE NA5192  90.00x110.00x7.00mm, PTFE
[40] Oil Pan Material: Steel [42] Supplementary Article/Supplementary Info: with gaskets/seals	[40] Matériel pour carter d'huile: acier [42] Article complémentaire / Info complémentaire: avec joints	[40] Material cárter: Acero [42] Artículo complementario/Información complementaria: con juntas
		[40] Materiale coppa olio: Acciaio [42] Articolo complementare/Info integrativa: con guarnizioni

918	 83.00	Petrol				
XU5J (180Z)	4 Cyl.	9.8:1	1580cc	76kW (103)PS	TD597	159
BX	03/86 → 12/94					

			
[38]	08-151200-00 STD	14-634910-00 WH [29] B 88.60 C 141.00 D 97.00 E 95.15	89-151200-00
A 37.55 B- 2.10 D 67.50  22x66	1.75  CR P 1.75  P 4.00  CR [26]		
[26] Steel [29] Use also: 1 NB O-Ring HR566 [38] Piston available in Kit Set only	[26] Acier [29] A utiliser aussi: 1 joint toriques HR566 [38] Chemise disponible en kit seulement	[26] Acciaio [29] Usare anche: 1 NB O-Ring HR566 [38] I pistoni sono disponibili solo in kit motore	[26] Acero [29] Utilizar también: 1 NB junta toricas HR566 [38] Pistón disponible en conjuntos solamente

918



83.00

Petrol

BE/PL	4	44.975/44.991	48.655/48.671	20.250	1.822	0.020/0.077	EC	71-3627	71-3627/4 STD
MB/HL	5	59.990/60.000	63.718/63.727	20.290	1.845	0.028/0.072	AL-LF	66721RA	H1074/5 STD 0.30
MB/HL	5	59.990/60.000	63.718/63.727	20.290	1.845	0.028/0.072	AL-LF	66722RA	

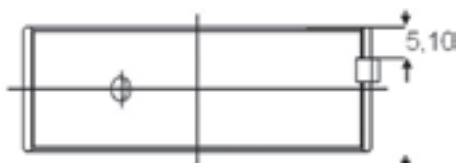
06/87 →

MB/HL	4	59.990/60.000	63.718/63.727	20.290	1.845	0.028/0.072	AL-LF	66721RA	H1113/5 STD 0.30
MB/HL	6	59.990/60.000	63.718/63.727	20.290	1.845	0.028/0.072	AL-LF	66722RA	

→ **05/87**

66721RA

66722RA



TW/A	4	67.050/67.300	83.050/83.300	2.330	BS	66721BF	A214/4 STD 0.10
------	---	---------------	---------------	-------	----	---------	---------------------------

--	--	--

EL650 [42]

JJ283 [40]
 ⇒ **PA349**
 22.00x16.00x2.000mm
 ⇒ **PB907**
 14.00x21.00x2.000mm

NA5191 42.00x62.00x7.00mm, PTFE
NA5192 90.00x110.00x7.00mm, PTFE



JJ283

[40] Oil Pan Material: Steel

[40] Matériel pour carter d'huile: acier

[40] Material cárter: Acero

[40] Materiale coppa olio: Acciaio

[42] Supplementary Article/Supplementary Info:
with gaskets/seals

[42] Article complémentaire /
Info complémentaire: avec joints

[42] Artículo complementario/Información
complementaria: con juntas

[42] Articolo complementare/Info
integrativa: con guarnizioni

919


83.00
Petrol


XU5JP (BFZ)	4 Cyl.	9.25:1	1580cc	65kW (88)PS	TD2863	162
405	08/92→05/97	406		11/95→05/04		

	08-323400-00 STD 1.50 P PS 1.50 P 3.00 CR P	14-634910-00 WH [29] B 88.60 C 141.00 D 97.00 E 95.15 	

[29] Use also: 1 NB O-Ring HR566 [29] A utiliser aussi: 1 joint toriques HR566 [29] Usare anche: 1 NB O-Ring HR566 [29] Utilizar también: 1 NB junta toricas HR566

BE/PL	4	44.975/44.991	48.655/48.671	20.250	1.820	0.024/0.081	AL-LF	66720RA	01-4199/4 STD 0.30
MB/HL	5	59.990/60.000	63.718/63.727	20.290	1.845	0.028/0.072	AL-LF	66721RA	H1074/5 STD 0.30
MB/HL	5	59.990/60.000	63.718/63.727	20.290	1.845	0.028/0.072	AL-LF	66722RA	
TW/A	4	67.050/67.300	83.050/83.300		2.330		BS	66721BF	A214/4 STD 0.10

EL650 [42]	JJ283 [40] = PA349 22.00x16.00x2.000mm = PB907 14.00x21.00x2.000mm 	NA5191 42.00x62.00x7.00mm, PTFE NA5192 90.00x110.00x7.00mm, PTFE

[40] Oil Pan Material: Steel

[40] Matériel pour carter d'huile: acier

[40] Material cárter: Acero

[40] Materiale coppa olio: Acciaio

[42] Supplementary Article/Supplementary Info: with gaskets/seals

[42] Article complémentaire / Info complémentaire: avec joints

[42] Artículo complementario/Información complementaria: con juntas

[42] Articolo complementare/Info integrativa: con guarnizioni

920

83.00
Petrol


XU51C/K (B1A)	4 Cyl.	9.5:1	1580cc	58-59kW (79-80)PS	TD12428	171
XU5JP (BFZ)	4 Cyl.	9.25:1	1580cc	65kW (88)PS	TD5101	161

BX	09/87→02/93	XANTIA	03/93→03/01	ZX	03/91→10/97
-----------	-------------	---------------	-------------	-----------	-------------



[38]	08-151200-00 STD	14-634910-00 WH [29] B 88.60 C 141.00 D 97.00 E 95.15	89-151200-00
A 37.55 B- 2.10 D 67.50 22x66	1.75 CR P 1.75 P 4.00 CR [26]		

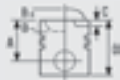

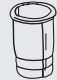
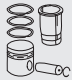
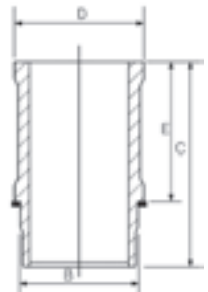
[26] Steel [26] Acier [26] Acciaio [26] Acero
 [29] Use also: 1 NB O-Ring HR566 [29] A utiliser aussi: 1 joint toriques HR566 [29] Usare anche: 1 NB O-Ring HR566 [29] Utilizar también: 1 NB junta toricas HR566
 [38] Piston available in Kit Set only [38] Chemise disponible en kit seulement [38] I pistoni sono disponibili solo in kit motore [38] Pistón disponible en conjuntos solamente

BE/PL	MB/HL	MB/HL	TW/A	BE/PL	MB/HL	MB/HL	TW/A	BE/PL	MB/HL	MB/HL	TW/A
4	5	5	4	4	5	5	4	4	5	5	4
44.975/44.991	59.990/60.000	59.990/60.000	67.050/67.300	44.975/44.991	59.990/60.000	59.990/60.000	67.050/67.300	44.975/44.991	59.990/60.000	59.990/60.000	67.050/67.300
48.655/48.671	63.718/63.727	63.718/63.727	83.050/83.300	48.655/48.671	63.718/63.727	63.718/63.727	83.050/83.300	48.655/48.671	63.718/63.727	63.718/63.727	83.050/83.300
20.250	20.290	20.290	2.330	20.250	20.290	20.290	2.330	20.250	20.290	20.290	2.330
1.820	1.845	1.845		1.820	1.845	1.845		1.820	1.845	1.845	
0.024/0.081	0.028/0.072	0.028/0.072		0.024/0.081	0.028/0.072	0.028/0.072		0.024/0.081	0.028/0.072	0.028/0.072	
AL-LF	AL-LF	AL-LF	BS	AL-LF	AL-LF	AL-LF	BS	AL-LF	AL-LF	AL-LF	BS
66720RA	66721RA	66722RA	66721BF	66720RA	66721RA	66722RA	66721BF	66720RA	66721RA	66722RA	66721BF
01-4199/4 STD 0.30	H1074/5 STD 0.30		A214/4 STD 0.10	01-4199/4 STD 0.30	H1074/5 STD 0.30		A214/4 STD 0.10	01-4199/4 STD 0.30	H1074/5 STD 0.30		A214/4 STD 0.10

EL650 [42]	JJ283 [40] =PA349 22.00x16.00x2.000mm =PB907 14.00x21.00x2.000mm	NA5191 42.00x62.00x7.00mm, PTFE NA5192 90.00x110.00x7.00mm, PTFE

[40] Oil Pan Material: Steel [40] Matériel pour carter d'huile: acier [40] Material cárter: Acero [40] Materiale coppa olio: Acciaio
 [42] Supplementary Article/Supplementary Info: with gaskets/seals [42] Article complémentaire / Info complémentaire: avec joints [42] Artículo complementario/Información complementaria: con juntas [42] Articolo complementare/Info integrativa: con guarnizioni

921	 83.00	Petrol				
XU5M (BDY)	4 Cyl.	9:1	1580cc	65kW (88)PS	TD5097	163
XU5M (BDZ)	4 Cyl.	9:1	1580cc	65kW (88)PS	TD615	164
XU5M2Z (BDY)	4 Cyl.	9:1	1580cc	65-71kW (88-97)PS	TD4846	165
XU5M3Z (BDY)	4 Cyl.	9.3:1	1580cc	65-66kW (88-90)PS	TD2864	165
205	05/90→09/98	309	07/89→12/93	405	07/87→10/96	
BX	05/89→12/94	ZX	03/91→10/97			



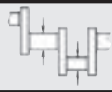
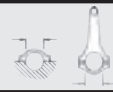






			
		14-634910-00 WH [29] B 88.60 C 141.00 D 97.00 E 95.15	
			








[29] Use also: 1 NB O-Ring HR566

[29] A utiliser aussi: 1 joint toriques HR566

[29] Usare anche: 1 NB O-Ring HR566

[29] Utilizar también: 1 NB junta toricas HR566

									
BE/PL	4	44.975/44.991	48.655/48.671	20.250	1.820	0.024/0.081	AL-LF	66720RA	01-4199/4 STD 0.30
MB/HL	5	59.990/60.000	63.718/63.727	20.290	1.845	0.028/0.072	AL-LF	66721RA	H1074/5 STD 0.30
MB/HL	5	59.990/60.000	63.718/63.727	20.290	1.845	0.028/0.072	AL-LF	66722RA	
TW/A	4	67.050/67.300	83.050/83.300		2.330		BS	66721BF	A214/4 STD 0.10

		
 EL650 [42]	JJ283 [40] =PA349 22.00x16.00x2.000mm =PB907 14.00x21.00x2.000mm 	NA5191  42.00x62.00x7.00mm, PTFE NA5192  90.00x110.00x7.00mm, PTFE

[40] Oil Pan Material: Steel

[40] Matériel pour carter d'huile: acier

[40] Material cárter: Acero

[40] Materiale coppa olio: Acciaio

[42] Supplementary Article/Supplementary Info:
with gaskets/seals

[42] Article complémentaire /
Info complémentaire: avec joints

[42] Artículo complementario/Información
complementaria: con juntas

[42] Articolo complementare/Info
integrativa: con guarnizioni

922
 **83.00**
Petrol

XU5M (BDZ)

4 Cyl.

9:1

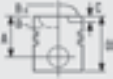





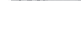
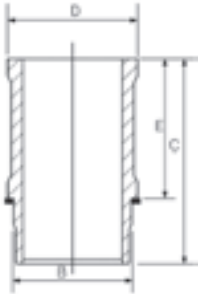
1580cc

65-66kW (88-90)PS
TD2839
164
309

07/89→12/93

405

07/87→10/96



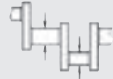







			
	08-322400-00 STD 1.50  MO P 1.50  P 4.00  CR P	14-634910-00 WH [29] B 88.60 C 141.00 D 97.00 E 95.15 	



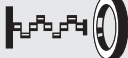




[29] Use also: 1 NB O-Ring HR566

[29] A utiliser aussi: 1 joint toriques HR566

[29] Usare anche: 1 NB O-Ring HR566

[29] Utilizar también: 1 NB junta toricas HR566

									
BE/PL	4	44.975/44.991	48.655/48.671	20.250	1.820	0.024/0.081	AL-LF	66720RA	01-4199/4 STD 0.30
MB/HL	5	59.990/60.000	63.718/63.727	20.290	1.845	0.028/0.072	AL-LF	66721RA	H1074/5 STD 0.30
MB/HL	5	59.990/60.000	63.718/63.727	20.290	1.845	0.028/0.072	AL-LF	66722RA	
TW/A	4	67.050/67.300	83.050/83.300		2.330		BS	66721BF	A214/4 STD 0.10

		
 EL650 [42]	JJ283 [40] = PA349 22.00x16.00x2.000mm = PB907 14.00x21.00x2.000mm 	NA5191  42.00x62.00x7.00mm, PTFE NA5192  90.00x110.00x7.00mm, PTFE

JJ283

[40] Oil Pan Material: Steel

[40] Matériel pour carter d'huile: acier

[40] Material cárter: Acero

[40] Materiale coppa olio: Acciaio

 [42] Supplementary Article/Supplementary Info:
with gaskets/seals

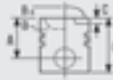

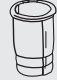




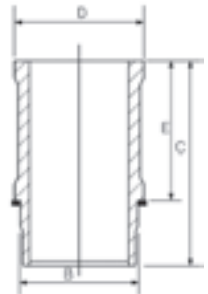
 [42] Article complémentaire /
Info complémentaire: avec joints

 [42] Artículo complementario/Información
complementaria: con juntas



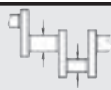
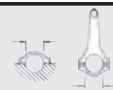






 [42] Articolo complementare/Info
integrativa: con garnizioni

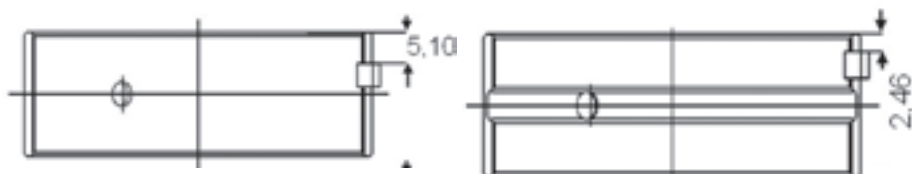
923
 **83.00**
Petrol


XU51C (B1A)	4 Cyl.	9:1	1580cc	55kW (75)PS	TD2857	167
XU55 (171)	4 Cyl.	9.5:1	1580cc	66-71kW (90-97)PS	TD2865	166
205	08/86→09/98		305	10/82→12/88	309	10/85→07/89

			
<p>[38]</p>   <p>A 37.55 B- 2.10 D 67.50 22x66</p>	<p>08-151200-00 STD</p>  <p>1.75 CR P 1.75 P 4.00 CR [26]</p>	<p>14-634910-00 WH [29] B 88.60 C 141.00 D 97.00 E 95.15</p> 	<p>89-151200-00</p>

[26] Steel [26] Acier [26] Acciaio [26] Acero
 [29] Use also: 1 NB O-Ring HR566 [29] A utiliser aussi: 1 joint toriques HR566 [29] Usare anche: 1 NB O-Ring HR566 [29] Utilizar también: 1 NB junta toricas HR566
 [38] Piston available in Kit Set only [38] Chemise disponible en kit seulement [38] I pistoni sono disponibili solo in kit motore [38] Pistón disponible en conjuntos solamente









									
BE/PL	4	44.975/44.991	48.655/48.671	20.250	1.820	0.024/0.081	AL-LF	66720RA	01-4199/4 STD 0.30 H1074/5 STD 0.30
MB/HL	5	59.990/60.000	63.718/63.727	20.290	1.845	0.028/0.072	AL-LF	66721RA	
MB/HL	5	59.990/60.000	63.718/63.727	20.290	1.845	0.028/0.072	AL-LF	66722RA	
06/87→									
MB/HL	4	59.990/60.000	63.718/63.727	20.290	1.845	0.028/0.072	AL-LF	66721RA	H1113/5 STD 0.30
MB/HL	6	59.990/60.000	63.718/63.727	20.290	1.845	0.028/0.072	AL-LF	66722RA	










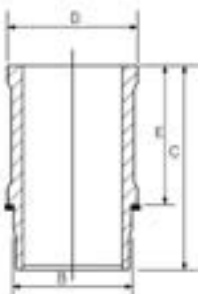
11/83→05/87
66721RA
66722RA


TW/A	4	67.050/67.300	83.050/83.300	2.330	BS	66721BF	A214/4 STD 0.10
------	---	---------------	---------------	-------	----	---------	---------------------------

CITROEN/PEUGEOT



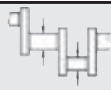
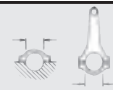






...Continued

923  83.00 Petrol			
			
 EL650 [42]	JJ283 [40] = PA349 22.00x16.00x2.000mm = PB907 14.00x21.00x2.000mm 	NA5191  42.00x62.00x7.00mm, PTFE NA5192  90.00x110.00x7.00mm, PTFE	
[40] Oil Pan Material: Steel [42] Supplementary Article/Supplementary Info: with gaskets/seals	[40] Matériel pour carter d'huile: acier [42] Article complémentaire / Info complémentaire: avec joints	[40] Material cárter: Acero [42] Artículo complementario/Información complementaria: con juntas	[40] Materiale coppa olio: Acciaio [42] Articolo complementare/Info integrativa: con guarnizioni

924  83.00 Petrol 			
XU51C (B1D)	4 Cyl.	9.3:1	1580cc 55kW (75)PS TD2762 168
			
	08-151200-00 STD 1.75  CR P 1.75  P 4.00  CR [26]	14-634910-00 WH [29] B 88.60 C 141.00 D 97.00 E 95.15 	
[26] Steel [29] Use also: 1 NB O-Ring HR566	[26] Acier [29] A utiliser aussi: 1 joint toriques HR566	[26] Acciaio [29] Usare anche: 1 NB O-Ring HR566	[26] Acero [29] Utilizar también: 1 NB junta toricas HR566

...Continued

924  **83.00** **Petrol**

									
BE/PL	4	44.975/44.991	48.655/48.671	20.250	1.820	0.024/0.081	AL-LF	66720RA	01-4199/4 STD 0.30
MB/HL	5	59.990/60.000	63.718/63.727	20.290	1.845	0.028/0.072	AL-LF	66721RA	H1074/5 STD 0.30
MB/HL	5	59.990/60.000	63.718/63.727	20.290	1.845	0.028/0.072	AL-LF	66722RA	

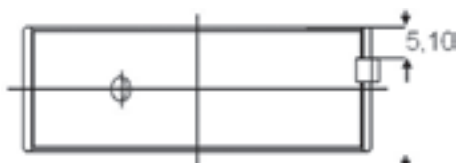
06/87 →

MB/HL	4	59.990/60.000	63.718/63.727	20.290	1.845	0.028/0.072	AL-LF	66721RA	H1113/5 STD 0.30
MB/HL	6	59.990/60.000	63.718/63.727	20.290	1.845	0.028/0.072	AL-LF	66722RA	

11/83 → **05/87**

66721RA

66722RA

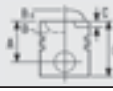






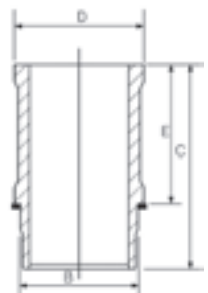


TW/A	4	67.050/67.300	83.050/83.300	2.330	BS	66721BF	A214/4 STD 0.10
------	---	---------------	---------------	-------	----	---------	---------------------------

925  **83.00** **Petrol** 




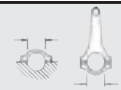




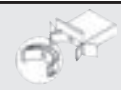

XU52C 4 Cyl. 8.95-9.8 1580cc **68kW (92)PS** **TD14648** **172**

BX 10/82 → 12/92

			
	<p>08-151200-00 STD</p> <p>1.75  CR P</p> <p>1.75  P</p> <p>4.00  CR [26]</p>	<p>14-634910-00 WH [29]</p> <p>B 88.60 C 141.00 D 97.00 E 95.15</p> 	

[26] Steel [26] Acier [26] Acciaio [26] Acero
 [29] Use also: 1 NB O-Ring HR566 [29] A utiliser aussi: 1 joint toriques HR566 [29] Usare anche: 1 NB O-Ring HR566 [29] Utilizar también: 1 NB junta toricas HR566

925  **83.00** **Petrol**

									
BE/PL	4	44.975/44.991	48.655/48.671	20.250	1.822	0.020/0.077	EC	71-3627	71-3627/4 STD
MB/HL	5	59.990/60.000	63.718/63.727	20.290	1.845	0.028/0.072	AL-LF	66721RA	H1074/5 STD 0.30
MB/HL	5	59.990/60.000	63.718/63.727	20.290	1.845	0.028/0.072	AL-LF	66722RA	

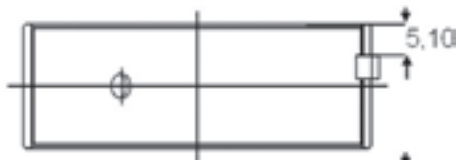
06/87 →

MB/HL	4	59.990/60.000	63.718/63.727	20.290	1.845	0.028/0.072	AL-LF	66721RA	H1113/5 STD 0.30
MB/HL	6	59.990/60.000	63.718/63.727	20.290	1.845	0.028/0.072	AL-LF	66722RA	




11/83 → **05/87**

66721RA

66722RA



TW/A	4	67.050/67.300	83.050/83.300	2.330	BS	66721BF	A214/4 STD 0.10
------	---	---------------	---------------	-------	----	---------	---------------------------

		
---	---	---

 **EL650** [42]

JJ283 [40]
⇒ **PA349**
22.00x16.00x2.000mm
⇒ **PB907**
14.00x21.00x2.000mm

NA5191  42.00x62.00x7.00mm, PTFE
NA5192  90.00x110.00x7.00mm, PTFE



JJ283

[40] Oil Pan Material: Steel

[40] Matériel pour carter d'huile: acier

[40] Material cárter: Acero

[40] Materiale coppa olio: Acciaio

[42] Supplementary Article/Supplementary Info:
with gaskets/seals

[42] Article complémentaire /
Info complémentaire: avec joints

[42] Artículo complementario/Información
complementaria: con juntas

[42] Articolo complementare/Info
integrativa: con guarnizioni

926	83.00	Petrol				
XU7JB (LFX)	4 Cyl.	9.5:1	1761cc	66kW (89)PS	TD12708	174
406	05/97→10/04	PARTNER	05/97→			

	08-323400-00 STD 1.50 P PS 1.50 P 3.00 CR P	14-634910-00 WH [29] B 88.60 C 141.00 D 97.00 E 95.15 	

[29] Use also: 1 NB O-Ring HR566 [29] A utiliser aussi: 1 joint toriques HR566 [29] Usare anche: 1 NB O-Ring HR566 [29] Utilizar también: 1 NB junta toricas HR566

BE/PL	4	44.975/44.991	48.655/48.671	22.500	1.825	0.020/0.070	AL	4300RA	01-4155/4 STD 0.30
MB/HL	5	59.990/60.000	63.718/63.727	20.290	1.845	0.028/0.072	AL-LF	66721RA	H1074/5 STD 0.30
MB/HL	5	59.990/60.000	63.718/63.727	20.290	1.845	0.028/0.072	AL-LF	66722RA	
TW/A	4	67.050/67.300	83.050/83.300		2.330		BS	66721BF	A214/4 STD 0.10

--	--	--

EL650 [42]

JJ283 [40]

NA5191 42.00x62.00x7.00mm, PTFE



JJ283

[40] Oil Pan Material: Steel

[40] Matériel pour carter d'huile: acier

[40] Material cárter: Acero

[40] Materiale coppa olio: Acciaio

[42] Supplementary Article/Supplementary Info:
with gaskets/seals

[42] Article complémentaire /
Info complémentaire: avec joints

[42] Artículo complementario/Información
complementaria: con juntas

[42] Articolo complementare/Info
integrativa: con guarnizioni

CITROEN/PEUGEOT

927

83.00

Petrol



XU7JB (LFX) 4 Cyl. 9.5:1 1761cc **66kW (89)PS** **TD9457 174**

BERLINGO 04/97→ **XANTIA** 04/97→04/03 **XSARA** 04/97→09/00

	<p>08-322400-00 STD</p> <p>1.50 MO P 1.50 P 4.00 CR P</p>	<p>14-634910-00 WH [29] B 88.60 C 141.00 D 97.00 E 95.15</p>	

[29] Use also: 1 NB O-Ring HR566

[29] A utiliser aussi: 1 joint toriques HR566

[29] Usare anche: 1 NB O-Ring HR566

[29] Utilizar también: 1 NB junta toricas HR566

BE/PL	4	44.975/44.991	48.655/48.671	22.500	1.825	0.020/0.070	AL	4300RA	01-4155/4 STD 0.30	
MB/HL	5	59.990/60.000	63.718/63.727	20.290	1.845	0.028/0.072	AL-LF	66721RA	H1074/5 STD 0.30	
MB/HL	5	59.990/60.000	63.718/63.727	20.290	1.845	0.028/0.072	AL-LF	66722RA		
TW/A	4	67.050/67.300	83.050/83.300		2.330		BS	66721BF	A214/4 STD 0.10	

--	--	--

EL650 [42]

JJ283 [40]

NA5191 42.00x62.00x7.00mm, PTFE



JJ283

[40] Oil Pan Material: Steel

[40] Matériel pour carter d'huile: acier

[40] Material cárter: Acero

[40] Materiale coppa olio: Acciaio

[42] Supplementary Article/Supplementary Info: with gaskets/seals

[42] Article complémentaire / Info complémentaire: avec joints

[42] Artículo complementario/Información complementaria: con juntas

[42] Articolo complementare/Info integrativa: con guarnizioni

928	83.00	Petrol				
XU7JP (LFW)	4 Cyl.	9.3:1	1761cc	73kW (99)PS	TD2867	175
XU7JP (LFZ)	4 Cyl.		1761cc	74kW (100)PS	TD2866	176
306	05/93→04/02	405	08/92→11/99	806	07/95→08/02	
EXPERT	10/96→09/00					

	08-323400-00 STD 1.50 P PS 1.50 P 3.00 CR P	14-634910-00 WH [29] B 88.60 C 141.00 D 97.00 E 95.15 	

[29] Use also: 1 NB O-Ring HR566 [29] A utiliser aussi: 1 joint toriques HR566 [29] Usare anche: 1 NB O-Ring HR566 [29] Utilizar también: 1 NB junta toricas HR566

BE/PL	4	44.975/44.991	48.655/48.671	22.500	1.825	0.020/0.070	AL	4300RA	01-4155/4 STD 0.30
MB/HL	5	59.990/60.000	63.718/63.727	20.290	1.845	0.028/0.072	AL-LF	66721RA	H1074/5 STD 0.30
MB/HL	5	59.990/60.000	63.718/63.727	20.290	1.845	0.028/0.072	AL-LF	66722RA	
TW/A	4	67.050/67.300	83.050/83.300		2.330		BS	66721BF	A214/4 STD 0.10

EL650 [42]	JJ283 [40] = PA349 22.00x16.00x2.000mm = PB907 14.00x21.00x2.000mm 	NA5191 42.00x62.00x7.00mm, PTFE NA5192 90.00x110.00x7.00mm, PTFE

[40] Oil Pan Material: Steel [40] Matériel pour carter d'huile: acier [40] Material cárter: Acero [40] Materiale coppa olio: Acciaio
 [42] Supplementary Article/Supplementary Info: with gaskets/seals [42] Article complémentaire / Info complémentaire: avec joints [42] Artículo complementario/Información complementaria: con juntas [42] Articolo complementare/Info integrativa: con guarnizioni

929

83.00
Petrol


XU7JP (LFZ)	4 Cyl.	9.25:1	1761cc	73kW (99)PS	TD5116	176
EVASION	05/97→07/02	XANTIA	03/93→01/98	XSARA	04/97→09/00	
ZX	07/92→10/97					

	08-322400-00 STD 1.50 MO P 1.50 P 4.00 CR P	14-634910-00 WH [29] B 88.60 C 141.00 D 97.00 E 95.15 	

[29] Use also: 1 NB O-Ring HR566

[29] A utiliser aussi: 1 joint toriques HR566

[29] Usare anche: 1 NB O-Ring HR566

[29] Utilizar también: 1 NB junta toricas HR566

BE/PL	4	44.975/44.991	48.655/48.671	22.500	1.825	0.020/0.070	AL	4300RA	01-4155/4 STD 0.30
MB/HL	5	59.990/60.000	63.718/63.727	20.290	1.845	0.028/0.072	AL-LF	66721RA	H1074/5 STD 0.30
MB/HL	5	59.990/60.000	63.718/63.727	20.290	1.845	0.028/0.072	AL-LF	66722RA	
TW/A	4	67.050/67.300	83.050/83.300		2.330		BS	66721BF	A214/4 STD 0.10

EL650 [42]	JJ283 [40] =PA349 22.00x16.00x2.000mm =PB907 14.00x21.00x2.000mm 	NA5191 [42] 42.00x62.00x7.00mm, PTFE NA5192 [42] 90.00x110.00x7.00mm, PTFE

JJ283

[40] Oil Pan Material: Steel

[40] Matériel pour carter d'huile: acier

[40] Material cárter: Acero

[40] Materiale coppa olio: Acciaio

 [42] Supplementary Article/Supplementary Info:
with gaskets/seals

 [42] Article complémentaire /
Info complémentaire: avec joints

 [42] Artículo complementario/Información
complementaria: con juntas

 [42] Articolo complementare/Info
integrativa: con guarnizioni

930	83.00	Petrol				
XU7JP4 (LFY)	4 Cyl.	10.4:1	1761cc	66/85kW (90/116)PS	TD4279	177
XU7JP4 (LFY)	4 Cyl.	10.4:1	1761cc	81kW (110)PS	TD4849	177
306	03/97→04/02	406	11/95→10/00	XANTIA	06/95→04/03	
XSARA	04/97→09/00	ZX	01/96→02/98			

	08-323400-00 STD 1.50 P PS 1.50 P 3.00 CR P	14-634910-00 WH [29] B 88.60 C 141.00 D 97.00 E 95.15 	

[29] Use also: 1 NB O-Ring HR566 [29] A utiliser aussi: 1 joint toriques HR566 [29] Usare anche: 1 NB O-Ring HR566 [29] Utilizar también: 1 NB junta toricas HR566

BE/PL	4	44.975/44.991	48.655/48.671	22.500	1.825	0.020/0.070	AL	4300RA	01-4155/4 STD 0.30
MB/HL	5	59.990/60.000	63.718/63.727	20.290	1.845	0.028/0.072	AL-LF	66721RA	H1074/5 STD 0.30
MB/HL	5	59.990/60.000	63.718/63.727	20.290	1.845	0.028/0.072	AL-LF	66722RA	
TW/A	4	67.050/67.300	83.050/83.300		2.330		BS	66721BF	A214/4 STD 0.10

	⇨ PB907 14.00x21.00x2.000mm	NA5191 42.00x62.00x7.00mm, PTFE NA5192 90.00x110.00x7.00mm, PTFE

931	83.00	Petrol				
159A	4 Cyl.	9.3:1	1905cc	75kW (102)PS	TD584	178
BX	07/86→05/89					

		14-634910-00 WH [29] B 88.60 C 141.00 D 97.00 E 95.15 	

[29] Use also: 1 NB O-Ring HR566 [29] A utiliser aussi: 1 joint toriques HR566 [29] Usare anche: 1 NB O-Ring HR566 [29] Utilizar también: 1 NB junta toricas HR566

931



83.00

Petrol

BE/PL	4	49.984/50.000	53.695/53.708	20.250	1.836	0.023/0.077	AL-LF	1305RA	01-4125/4 STD 0.30
MB/HL	5	59.990/60.000	63.718/63.727	20.290	1.845	0.028/0.072	AL-LF	66721RA	H1074/5 STD 0.30
MB/HL	5	59.990/60.000	63.718/63.727	20.290	1.845	0.028/0.072	AL-LF	66722RA	

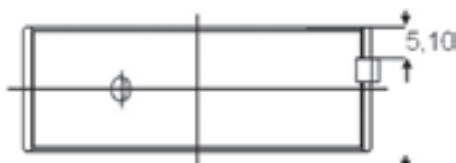
06/87 →

MB/HL	4	59.990/60.000	63.718/63.727	20.290	1.845	0.028/0.072	AL-LF	66721RA	H1113/5 STD 0.30
MB/HL	6	59.990/60.000	63.718/63.727	20.290	1.845	0.028/0.072	AL-LF	66722RA	

→ **05/87**

66721RA

66722RA



TW/A	4	67.050/67.300	83.050/83.300	2.330	BS	66721BF	A214/4 STD 0.10
------	---	---------------	---------------	-------	----	---------	---------------------------

--	--	--

EL650 [42]

JJ283 [40]
 ⇒ **PA349**
 22.00x16.00x2.000mm
 ⇒ **PB907**
 14.00x21.00x2.000mm

NA5191 42.00x62.00x7.00mm, PTFE
NA5192 90.00x110.00x7.00mm, PTFE



JJ283

[40] Oil Pan Material: Steel

[40] Matériel pour carter d'huile: acier

[40] Material cárter: Acero

[40] Materiale coppa olio: Acciaio

[42] Supplementary Article/Supplementary Info:
with gaskets/seals

[42] Article complémentaire /
Info complémentaire: avec joints

[42] Artículo complementario/Información
complementaria: con juntas

[42] Articolo complementare/Info
integrativa: con guarnizioni

932

83.00

Petrol



159B 4 Cyl. 9.5:1 1905cc 74kW (101)PS TD21529

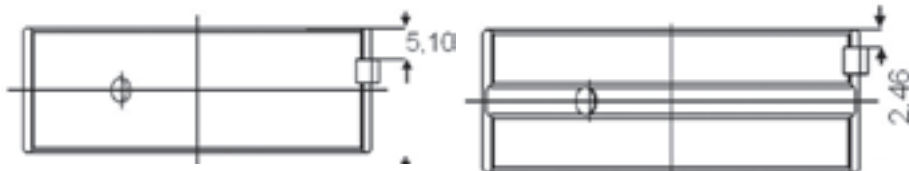
		<p>14-634910-00 WH [29] B 88.60 C 141.00 D 97.00 E 95.15</p>	

[29] Use also: 1 NB O-Ring HR566 [29] A utiliser aussi: 1 joint toriques HR566 [29] Usare anche: 1 NB O-Ring HR566 [29] Utilizar también: 1 NB junta toricas HR566

BE/PL	4	49.984/50.000	53.695/53.708	20.250	1.836	0.023/0.077	AL-LF	1305RA	01-4125/4 STD 0.30 H1074/5 STD 0.30
MB/HL	5	59.990/60.000	63.718/63.727	20.290	1.845	0.028/0.072	AL-LF	66721RA	
MB/HL	5	59.990/60.000	63.718/63.727	20.290	1.845	0.028/0.072	AL-LF	66722RA	
06/87 →									
MB/HL	4	59.990/60.000	63.718/63.727	20.290	1.845	0.028/0.072	AL-LF	66721RA	H1113/5 STD 0.30
MB/HL	6	59.990/60.000	63.718/63.727	20.290	1.845	0.028/0.072	AL-LF	66722RA	
→05/87									

66721RA

66722RA



TW/A	4	67.050/67.300	83.050/83.300	2.330	BS	66721BF	A214/4 STD 0.10
------	---	---------------	---------------	-------	----	---------	---------------------------

CITROEN/PEUGEOT

933



83.00

Petrol



D2E

4 Cyl.

9:1

1905cc

78-79kW (107-108)PS

TD22449

179

BX

06/89→05/91

		<p>14-634910-00 WH [29] B 88.60 C 141.00 D 97.00 E 95.15</p>	

[29] Use also: 1 NB O-Ring HR566

[29] A utiliser aussi: 1 joint toriques HR566

[29] Usare anche: 1 NB O-Ring HR566

[29] Utilizar también: 1 NB junta toricas HR566

BE/PL	4	49.984/50.000	53.695/53.708	20.250	1.836	0.023/0.077	AL-LF	1305RA	01-4125/4 STD 0.30	
MB/HL	5	59.990/60.000	63.718/63.727	20.290	1.845	0.028/0.072	AL-LF	66721RA	H1074/5 STD 0.30	
MB/HL	5	59.990/60.000	63.718/63.727	20.290	1.845	0.028/0.072	AL-LF	66722RA		
TW/A	4	67.050/67.300	83.050/83.300		2.330		BS	66721BF	A214/4 STD 0.10	

934



83.00

Petrol



D2F

4 Cyl.

9:1

1905cc

80kW (109)PS

TD630

180

BX

04/89→02/93

<p>[38]</p> <p>A 37.50 B- 8.90 D 67.50 22x66</p>	<p>08-322400-00 STD</p> <p>1.50 MO P 1.50 P 4.00 CR P</p>	<p>14-634910-00 WH [29] B 88.60 C 141.00 D 97.00 E 95.15</p>	89-322400-00

[29] Use also: 1 NB O-Ring HR566

[29] A utiliser aussi: 1 joint toriques HR566

[29] Usare anche: 1 NB O-Ring HR566

[29] Utilizar también: 1 NB junta toricas HR566

[38] Piston available in Kit Set only

[38] Chemise disponible en kit seulement

[38] I pistoni sono disponibili solo in kit motore

[38] Pistón disponible en conjuntos solamente

...Continued

934		83.00	Petrol							
	4	49.984/50.000	53.695/53.708	20.250	1.836	0.023/0.077	AL-LF	1305RA	01-4125/4 STD 0.30 H1074/5 STD 0.30 A214/4 STD 0.10	
MB/HL	5	59.990/60.000	63.718/63.727	20.290	1.845	0.028/0.072	AL-LF	66721RA		
MB/HL	5	59.990/60.000	63.718/63.727	20.290	1.845	0.028/0.072	AL-LF	66722RA		
TW/A	4	67.050/67.300	83.050/83.300		2.330		BS	66721BF		

EL650 [42]	JJ283 [40] = PA349 22.00x16.00x2.000mm = PB907 14.00x21.00x2.000mm 	NA5191 42.00x62.00x7.00mm, PTFE NA5192 90.00x110.00x7.00mm, PTFE

[40] Oil Pan Material: Steel [40] Matériel pour carter d'huile: acier [40] Material cárter: Acero [40] Materiale coppa olio: Acciaio
 [42] Supplementary Article/Supplementary Info: [42] Article complémentaire / [42] Artículo complementario/Información [42] Articolo complementare/Info
 with gaskets/seals Info complémentaire: avec joints complementaria: con juntas integrativa: con guarnizioni

935		83.00	Petrol			
XU9J1 (DFZ)	4 Cyl.	9.3:1	1905cc	90kW (122)PS	TD2870	181
XU9J1 (DFZ)	4 Cyl.	9.3:1	1905cc	90kW (122)PS	TD9548	181
XU9J2 (D6A)	4 Cyl.	9.3:1	1905cc	90kW (122)PS	TD631	181
XU9JA (D6B)	4 Cyl.	9.3:1	1905cc	94-96kW (128-131)PS	TD2872	186
205	05/86→09/98	305	11/86→12/88	309	03/86→12/93	
405	07/87→12/92	BX	07/86→12/94			

[38] A 37.50 B- 8.90 D 67.50 22x66	08-322400-00 STD 1.50 MO P 1.50 P 4.00 CR P	14-634910-00 WH [29] B 88.60 C 141.00 D 97.00 E 95.15 	89-322400-00

[29] Use also: 1 NB O-Ring HR566 [29] A utiliser aussi: 1 joint toriques HR566 [29] Usare anche: 1 NB O-Ring HR566 [29] Utilizar también: 1 NB junta toricas HR566
 [38] Piston available in Kit Set only [38] Chemise disponible en kit seulement [38] I pistoni sono disponibili solo in kit motore [38] Pistón disponible en conjuntos solamente

935



83.00

Petrol

BE/PL	4	49.984/50.000	53.695/53.708	20.250	1.842	0.020/0.065	EC	71-3628	71-3628/4 STD 0.30
MB/HL	5	59.990/60.000	63.718/63.727	20.290	1.845	0.028/0.072	AL-LF	66721RA	H1074/5 STD 0.30
MB/HL	5	59.990/60.000	63.718/63.727	20.290	1.845	0.028/0.072	AL-LF	66722RA	

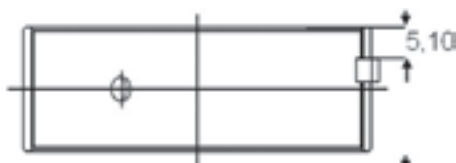
06/87 →

MB/HL	4	59.990/60.000	63.718/63.727	20.290	1.845	0.028/0.072	AL-LF	66721RA	H1113/5 STD 0.30
MB/HL	6	59.990/60.000	63.718/63.727	20.290	1.845	0.028/0.072	AL-LF	66722RA	

→ **05/87**

66721RA

66722RA



TW/A	4	67.050/67.300	83.050/83.300	2.330	BS	66721BF	A214/4 STD 0.10
------	---	---------------	---------------	-------	----	---------	---------------------------

--	--	--

EL650 [42]

JJ283 [40]
 ⇒ **PA349**
 22.00x16.00x2.000mm
 ⇒ **PB907**
 14.00x21.00x2.000mm

NA5191 42.00x62.00x7.00mm, PTFE
NA5192 90.00x110.00x7.00mm, PTFE



JJ283

[40] Oil Pan Material: Steel

[40] Matériel pour carter d'huile: acier

[40] Material cárter: Acero

[40] Materiale coppa olio: Acciaio

[42] Supplementary Article/Supplementary Info:
with gaskets/seals

[42] Article complémentaire /
Info complémentaire: avec joints

[42] Artículo complementario/Información
complementaria: con juntas

[42] Articolo complementare/Info
integrativa: con guarnizioni

936	83.00	Petrol				
XU9J2 (D6A)	4 Cyl.	9.3:1	1905cc	90-92kW (122-125)PS	TD22159	181
XU9JAZ (DKZ)	4 Cyl.	9.3:1	1905cc	90kW (122)PS	TD2877	187
XU9M (DDZ)	4 Cyl.	9.3:1	1905cc	90kW (122)PS	TD2878	181
205	10/87→05/97	309	07/88→12/93	405	06/87→12/92	

	08-322400-00 STD 1.50 MO P 1.50 P 4.00 CR P	14-634910-00 WH [29] B 88.60 C 141.00 D 97.00 E 95.15 	

[29] Use also: 1 NB O-Ring HR566 [29] A utiliser aussi: 1 joint toriques HR566 [29] Usare anche: 1 NB O-Ring HR566 [29] Utilizar también: 1 NB junta toricas HR566

BE/PL	MB/HL	MB/HL	TW/A						
4	5	5	4						
49.984/50.000	59.990/60.000	59.990/60.000	67.050/67.300						
53.695/53.708	63.718/63.727	63.718/63.727	83.050/83.300						
20.250	20.290	20.290							
1.842	1.845	1.845							
0.020/0.065	0.028/0.072	0.028/0.072							
EC	AL-LF	AL-LF	BS						
71-3628	66721RA	66722RA	66721BF						
71-3628/4 STD 0.30	H1074/5 STD 0.30		A214/4 STD 0.10						

EL650 [42]	JJ283 [40] =PA349 22.00x16.00x2.000mm =PB907 14.00x21.00x2.000mm 	NA5191 42.00x62.00x7.00mm, PTFE NA5192 90.00x110.00x7.00mm, PTFE

[40] Oil Pan Material: Steel

[40] Matériel pour carter d'huile: acier

[40] Material cárter: Acero

[40] Materiale coppa olio: Acciaio

[42] Supplementary Article/Supplementary Info:
with gaskets/seals

[42] Article complémentaire /
Info complémentaire: avec joints

[42] Artículo complementario/Información
complementaria: con juntas

[42] Articolo complementare/Info
integrativa: con guarnizioni

937

83.00
Petrol


XU9J4 (D6C)	4 Cyl.	10.4:1	1905cc	116kW (158)PS	TD2873	182
XU9J4 (D6C)	4 Cyl.	10.4:1	1905cc	116kW (158)PS	TD632	183
XU9J4 (DFW)	4 Cyl.	10.4:1	1905cc	116kW (158)PS	TD640	184
XU9J4Z (DFW)	4 Cyl.	9.3:1	1905cc	90kW (122)PS	TD2875	185

309	08/89→12/93	405	06/87→12/92	BX	09/87→02/93
------------	-------------	------------	-------------	-----------	-------------

	08-323400-00 STD 1.50 P PS 1.50 P 3.00 CR P	14-634910-00 WH [29] B 88.60 C 141.00 D 97.00 E 95.15 	

[29] Use also: 1 NB O-Ring HR566

[29] A utiliser aussi: 1 joint toriques HR566

[29] Usare anche: 1 NB O-Ring HR566

[29] Utilizar también: 1 NB junta toricas HR566

BE/PL	MB/HL	MB/HL	TW/A						
4	5	5	4						
49.984/50.000	59.990/60.000	59.990/60.000	67.050/67.300						
53.695/53.708	63.718/63.727	63.718/63.727	83.050/83.300						
20.250	20.290	20.290							
1.842	1.845	1.845	2.330						
0.020/0.065	0.028/0.072	0.028/0.072							
EC	AL-LF	AL-LF	BS						
71-3628	66721RA	66722RA	66721BF						
71-3628/4	H1074/5		A214/4						
STD 0.30	STD 0.30		STD 0.10						

EL650 [42]	JJ283 [40] PA349 22.00x16.00x2.000mm 	NA5191 [42] 42.00x62.00x7.00mm, PTFE NA5192 [42] 90.00x110.00x7.00mm, PTFE

JJ283

[40] Oil Pan Material: Steel

[40] Matériel pour carter d'huile: acier

[40] Material cárter: Acero

[40] Materiale coppa olio: Acciaio

[42] Supplementary Article/Supplementary Info: with gaskets/seals

[42] Article complémentaire / Info complémentaire: avec joints

[42] Artículo complementario/Información complementaria: con juntas

[42] Articolo complementare/Info integrativa: con guarnizioni

938	83.00	Petrol	
XU9JA (D6E)	4 Cyl.	1905cc	93kW (126)PS
ZX	03/91→06/97		TD22622 179

		14-634910-00 WH [29] B 88.60 C 141.00 D 97.00 E 95.15	

[29] Use also: 1 NB O-Ring HR566 [29] A utiliser aussi: 1 joint toriques HR566 [29] Usare anche: 1 NB O-Ring HR566 [29] Utilizar también: 1 NB junta toricas HR566

BE/PL	4	49.984/50.000	53.695/53.708	20.250	1.842	0.020/0.065	EC	71-3628	71-3628/4 STD 0.30
MB/HL	5	59.990/60.000	63.718/63.727	20.290	1.845	0.028/0.072	AL-LF	66721RA	H1074/5 STD 0.30
MB/HL	5	59.990/60.000	63.718/63.727	20.290	1.845	0.028/0.072	AL-LF	66722RA	
TW/A	4	67.050/67.300	83.050/83.300		2.330		BS	66721BF	A214/4 STD 0.10

939	83.00	Petrol	
XU9JA (DKZ)	4 Cyl.	9.3:1	90kW (122)PS
BX	06/88→12/94	ZX	03/91→06/97

[38]		08-322400-00 STD 1.50 MO P 1.50 P 4.00 CR P	14-634910-00 WH [29] B 88.60 C 141.00 D 97.00 E 95.15
A 37.50 B- 8.90 D 67.50 22x66			89-322400-00

[29] Use also: 1 NB O-Ring HR566 [29] A utiliser aussi: 1 joint toriques HR566 [29] Usare anche: 1 NB O-Ring HR566 [29] Utilizar también: 1 NB junta toricas HR566
 [38] Piston available in Kit Set only [38] Chemise disponible en kit seulement [38] I pistoni sono disponibili solo in kit motore [38] Pistón disponible en conjuntos solamente

CITROEN/PEUGEOT

...Continued

939 83.00 Petrol

BE/PL	4	49.984/50.000	53.695/53.708	20.250	1.842	0.020/0.065	EC	71-3628	71-3628/4 STD 0.30
MB/HL	5	59.990/60.000	63.718/63.727	20.290	1.845	0.028/0.072	AL-LF	66721RA	H1074/5 STD 0.30
MB/HL	5	59.990/60.000	63.718/63.727	20.290	1.845	0.028/0.072	AL-LF	66722RA	
TW/A	4	67.050/67.300	83.050/83.300		2.330		BS	66721BF	A214/4 STD 0.10

EL650 [42]	JJ283 [40] = PA349 22.00x16.00x2.000mm = PB907 14.00x21.00x2.000mm	NA5191 42.00x62.00x7.00mm, PTFE NA5192 90.00x110.00x7.00mm, PTFE

JJ283

[40] Oil Pan Material: Steel

[40] Matériel pour carter d'huile: acier

[40] Material cárter: Acero

[40] Materiale coppa olio: Acciaio

[42] Supplementary Article/Supplementary Info:
with gaskets/seals

[42] Article complémentaire /
Info complémentaire: avec joints

[42] Artículo complementario/Información
complementaria: con juntas

[42] Articolo complementare/Info
integrativa: con guarnizioni

940 83.00 Petrol

XU9M (DDZ)	4 Cyl.	9.2:1	1905cc	80kW (109)PS	TD639	181
BX	06/88 → 12/94					

		14-634910-00 WH [29] B 88.60 C 141.00 D 97.00 E 95.15	

[29] Use also: 1 NB O-Ring HR566









[29] A utiliser aussi: 1 joint toriques HR566



[29] Usare anche: 1 NB O-Ring HR566

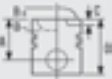

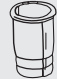
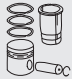



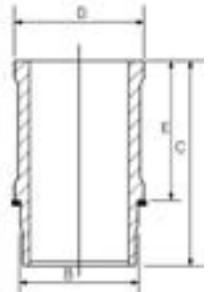
[29] Utilizar también: 1 NB junta toricas HR566

BE/PL	4	49.984/50.000	53.695/53.708	20.250	1.842	0.020/0.065	EC	71-3628	71-3628/4 STD 0.30
MB/HL	5	59.990/60.000	63.718/63.727	20.290	1.845	0.028/0.072	AL-LF	66721RA	H1074/5 STD 0.30
MB/HL	5	59.990/60.000	63.718/63.727	20.290	1.845	0.028/0.072	AL-LF	66722RA	
TW/A	4	67.050/67.300	83.050/83.300		2.330		BS	66721BF	A214/4 STD 0.10

...Continued

940	 83.00	Petrol	
			
 EL650 [42]	JJ283 [40] = PA349 22.00x16.00x2.000mm = PB907 14.00x21.00x2.000mm 	NA5191  42.00x62.00x7.00mm, PTFE NA5192  90.00x110.00x7.00mm, PTFE	
[40] Oil Pan Material: Steel [42] Supplementary Article/Supplementary Info: with gaskets/seals	[40] Matériel pour carter d'huile: acier [42] Article complémentaire / Info complémentaire: avec joints	[40] Material cárter: Acero [42] Artículo complementario/Información complementaria: con juntas	[40] Materiale coppa olio: Acciaio [42] Articolo complementare/Info integrativa: con guarnizioni

941	 83.00	Petrol				
XU9S (159)	4 Cyl.	9.3:1	1905cc	75kW (102)PS	TD2879	188
XU9S (D2B)	4 Cyl.	9.3:1	1905cc	75kW (102)PS	TD2772	189
305	10/82 → 10/87	309	10/85 → 07/89			

			
	08-322400-00 STD 1.50  MO P 1.50  P 4.00  CR P	14-634910-00 WH [29] B 88.60 C 141.00 D 97.00 E 95.15 	




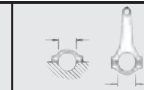






[29] Use also: 1 NB O-Ring HR566

[29] A utiliser aussi: 1 joint toriques HR566

[29] Usare anche: 1 NB O-Ring HR566

[29] Utilizar también: 1 NB junta toricas HR566

941  **83.00** **Petrol**

									
BE/PL	4	49.984/50.000	53.695/53.708	20.250	1.836	0.023/0.077	AL-LF	1305RA	01-4125/4 STD 0.30
MB/HL	5	59.990/60.000	63.718/63.727	20.290	1.845	0.028/0.072	AL-LF	66721RA	H1074/5 STD 0.30
MB/HL	5	59.990/60.000	63.718/63.727	20.290	1.845	0.028/0.072	AL-LF	66722RA	

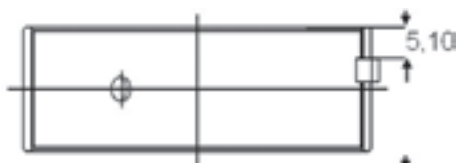
06/87 →

MB/HL	4	59.990/60.000	63.718/63.727	20.290	1.845	0.028/0.072	AL-LF	66721RA	H1113/5 STD 0.30
MB/HL	6	59.990/60.000	63.718/63.727	20.290	1.845	0.028/0.072	AL-LF	66722RA	




→05/87

66721RA

66722RA





TW/A	4	67.050/67.300	83.050/83.300	2.330	BS	66721BF	A214/4 STD 0.10
------	---	---------------	---------------	-------	----	---------	---------------------------

		
---	---	---

 **EL650** [42]

JJ283 [40]
⇒ **PA349**
22.00x16.00x2.000mm
⇒ **PB907**
14.00x21.00x2.000mm

NA5191  42.00x62.00x7.00mm, PTFE
NA5192  90.00x110.00x7.00mm, PTFE



JJ283

[40] Oil Pan Material: Steel

[40] Matériel pour carter d'huile: acier

[40] Material cárter: Acero

[40] Materiale coppa olio: Acciaio

[42] Supplementary Article/Supplementary Info:
with gaskets/seals

[42] Article complémentaire /
Info complémentaire: avec joints

[42] Artículo complementario/Información
complementaria: con juntas

[42] Articolo complementare/Info
integrativa: con guarnizioni

942	83.00	Petrol	
XU92C (D2A)	4 Cyl.	9.3:1	1905cc
			75kW (102)PS
			TD2869 181
205	10/87 → 05/89		

[38]	08-322400-00 STD	14-634910-00 WH [29]	89-322400-00
A 37.50	1.50 MO P	B 88.60 C 141.00 D 97.00 E 95.15	
B- 8.90	1.50 P		
D 67.50	4.00 CR P		
22x66			

[29] Use also: 1 NB O-Ring HR566 [29] A utiliser aussi: 1 joint toriques HR566 [29] Usare anche: 1 NB O-Ring HR566 [29] Utilizar también: 1 NB junta toricas HR566
 [38] Piston available in Kit Set only [38] Chemise disponible en kit seulement [38] I pistoni sono disponibili solo in kit motore [38] Pistón disponible en conjuntos solamente

BE/PL	MB/HL	MB/HL	TW/A	BE/PL	MB/HL	MB/HL	TW/A	BE/PL	MB/HL	MB/HL	TW/A
4	5	5	4	4	5	5	4	4	5	5	4
49.984/50.000	59.990/60.000	59.990/60.000	67.050/67.300	49.984/50.000	59.990/60.000	59.990/60.000	67.050/67.300	49.984/50.000	59.990/60.000	59.990/60.000	67.050/67.300
53.695/53.708	63.718/63.727	63.718/63.727	83.050/83.300	53.695/53.708	63.718/63.727	63.718/63.727	83.050/83.300	53.695/53.708	63.718/63.727	63.718/63.727	83.050/83.300
20.250	20.290	20.290	2.330	20.250	20.290	20.290	2.330	20.250	20.290	20.290	2.330
1.836	1.845	1.845		1.836	1.845	1.845		1.836	1.845	1.845	
0.023/0.077	0.028/0.072	0.028/0.072		0.023/0.077	0.028/0.072	0.028/0.072		0.023/0.077	0.028/0.072	0.028/0.072	
AL-LF	AL-LF	AL-LF	BS	AL-LF	AL-LF	AL-LF	BS	AL-LF	AL-LF	AL-LF	BS
1305RA	66721RA	66722RA	66721BF	1305RA	66721RA	66722RA	66721BF	1305RA	66721RA	66722RA	66721BF
01-4125/4	H1074/5	H1074/5	A214/4	01-4125/4	H1074/5	H1074/5	A214/4	01-4125/4	H1074/5	H1074/5	A214/4
STD 0.30	STD 0.30	STD 0.30	STD 0.10	STD 0.30	STD 0.30	STD 0.30	STD 0.10	STD 0.30	STD 0.30	STD 0.30	STD 0.10

EL650 [42]	JJ283 [40] PA349 22.00x16.00x2.000mm PB907 14.00x21.00x2.000mm	NA5191 42.00x62.00x7.00mm, PTFE NA5192 90.00x110.00x7.00mm, PTFE



JJ283

[40] Oil Pan Material: Steel [40] Matériel pour carter d'huile: acier [40] Material cárter: Acero [40] Materiale coppa olio: Acciaio
 [42] Supplementary Article/Supplementary Info: with gaskets/seals [42] Article complémentaire / Info complémentaire: avec joints [42] Artículo complementario/Información complementaria: con juntas [42] Articolo complementare/Info integrativa: con guarnizioni

943


83.00
Petrol


XU92C (D2A)	4 Cyl.	9.3:1	1905cc	76kW (103)PS	TD628	181
XU92C (D2C)	4 Cyl.	9.3:1	1905cc	70kW (95)PS	TD2871	188
XU92C (D2C)	4 Cyl.	9.3:1	1905cc	70kW (95)PS	TD629	188

405 07/87→12/92 **BX** 07/86→12/94

[38]	08-322400-00 STD	14-634910-00 WH [29] B 88.60 C 141.00 D 97.00 E 95.15	89-322400-00
A 37.50 B- 8.90 D 67.50 22x66	1.50 MO P 1.50 P 4.00 CR P		

[29] Use also: 1 NB O-Ring HR566

[29] A utiliser aussi: 1 joint toriques HR566

[29] Usare anche: 1 NB O-Ring HR566

[29] Utilizar también: 1 NB junta toricas HR566

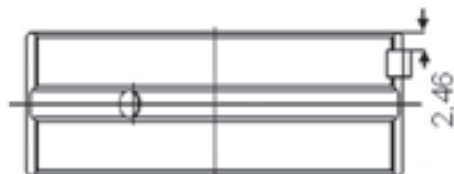
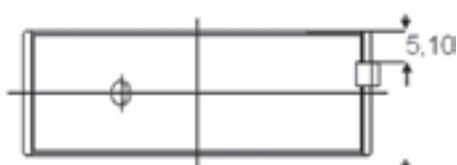
[38] Piston available in Kit Set only

[38] Chemise disponible en kit seulment

[38] I pistoni sono disponibili solo in kit motore

[38] Pistón disponible en conjuntos solamente

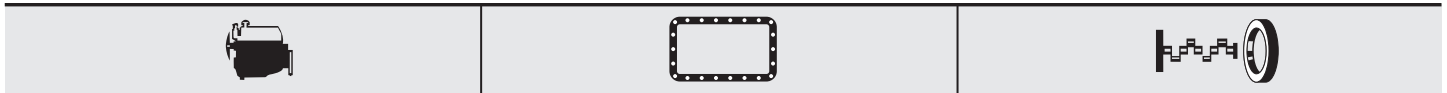
BE/PL	4	49.984/50.000	53.695/53.708	20.250	1.836	0.023/0.077	AL-LF	1305RA	01-4125/4 STD 0.30	
MB/HL	5	59.990/60.000	63.718/63.727	20.290	1.845	0.028/0.072	AL-LF	66721RA	H1074/5 STD 0.30	
MB/HL	5	59.990/60.000	63.718/63.727	20.290	1.845	0.028/0.072	AL-LF	66722RA		
06/87→										
MB/HL	4	59.990/60.000	63.718/63.727	20.290	1.845	0.028/0.072	AL-LF	66721RA	H1113/5 STD 0.30	
MB/HL	6	59.990/60.000	63.718/63.727	20.290	1.845	0.028/0.072	AL-LF	66722RA		
→05/87										

66721RA
66722RA


TW/A	4	67.050/67.300	83.050/83.300	2.330	BS	66721BF	A214/4 STD 0.10
------	---	---------------	---------------	-------	----	---------	---------------------------


...Continued

943  **83.00** **Diesel**



 **EL650** [42]

JJ283 [40]
 =**PA349**
 22.00x16.00x2.000mm
 =**PB907**
 14.00x21.00x2.000mm

NA5191  42.00x62.00x7.00mm, PTFE
NA5192  90.00x110.00x7.00mm, PTFE



JJ283

[40] Oil Pan Material: Steel

[40] Matériel pour carter d'huile: acier

[40] Material cárter: Acero

[40] Materiale coppa olio: Acciaio

[42] Supplementary Article/Supplementary Info:
with gaskets/seals

[42] Article complémentaire /
Info complémentaire: avec joints

[42] Artículo complementario/Información
complementaria: con juntas

[42] Articolo complementare/Info
integrativa: con guarnizioni

944  **83.00** **Diesel** 

XUD9	4 Cyl.	23.5:1	1905cc	51kW (70)PS	TD8478	190
306	04/93→05/99	306 Van	02/94→10/95	405	09/93→12/95	
J5	09/87→08/90	PARTNER	05/96→12/98			




87-152000-10 STD
87-152007-10 0.50mm
87-152010-10 0.80mm

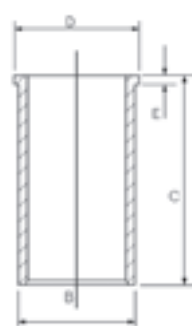









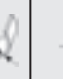





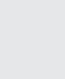

08-152000-00 STD
08-152003-00 0.125mm
08-152007-00 0.50mm
08-152010-00 0.80mm
08-152011-00 1.00mm

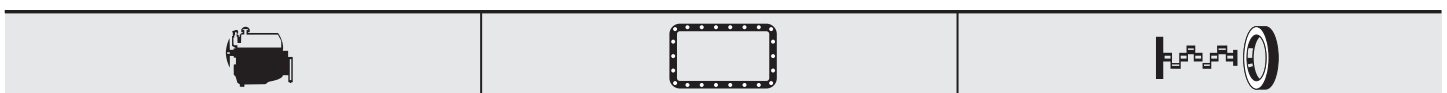
2.00  CR P
 2.00  P
 3.00  CR P

A 46.80
B- 2.20
D 84.30
 25x72

14-020530-00 D
B 85.60 **C** 153.50 **D** 88.50 **E** 3.90





														
BE/PL	4	49.984/50.000	53.695/53.708	20.050	1.830	0.040/0.090	AL-LF	66725RA	01-4200/4 STD 0.30 0.50					
MB/HL 1-5	5	59.981/60.000	63.731/63.750	20.290	1.845	0.040/0.100	AL-LF	66726RA	H1057/5 STD 0.30 0.50					
TW/A	4	67.050/67.300	83.050/83.300		2.330		BS	66721BF	A214/4 STD 0.10					
SE/PB	1	25.007/25.020	27.200/27.221	24.050			BS	66729YA	55-4201 SEMI					



 **EL890** [42]

JJ283 [40]

NA5191  42.00x62.00x7.00mm, PTFE
NA5192  90.00x110.00x7.00mm, PTFE



JJ283

[40] Oil Pan Material: Steel

[40] Matériel pour carter d'huile: acier

[40] Material cárter: Acero

[40] Materiale coppa olio: Acciaio

[42] Supplementary Article/Supplementary Info:
with gaskets/seals

[42] Article complémentaire /
Info complémentaire: avec joints

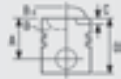

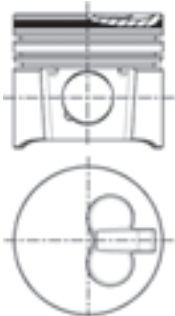





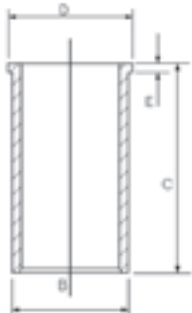

[42] Artículo complementario/Información
complementaria: con juntas












[42] Articolo complementare/Info
integrativa: con guarnizioni

945
 **83.00**
Diesel


XUD9 (162)	4 Cyl.	23.5:1	1905cc	47-48kW (64-65)PS	TD2886	191
XUD9 (162)	4 Cyl.	23.5:1	1905cc	47kW (64)PS	TD587	191
XUD9 (D9A)	4 Cyl.	23.5:1	1905cc	47kW (64)PS	TD2754	191
XUD9 (D9A)	4 Cyl.	23.5:1	1905cc	55kW (72)PS	TD4265	191

305	10/82 → 12/88	309	06/86 → 12/93	BX	09/83 → 11/94
-----	---------------	-----	---------------	----	---------------




 87-152000-10 STD 87-152007-10 0.50mm 87-152010-10 0.80mm A 46.80 B- 2.20 D 84.30  25x72		 08-152000-00 STD 08-152003-00 0.125mm 08-152007-00 0.50mm 08-152010-00 0.80mm 08-152011-00 1.00mm 2.00  CR P 2.00  P 3.00  CR P	 14-020530-00 D B 85.60 C 153.50 D 88.50 E 3.90 	 88-152000-30 87-152000-10 + 14-020530-00
--	---	---	---	--

										
BE/PL	4	49.984/50.000	53.695/53.708	20.050	1.830	0.040/0.090	AL-LF	66725RA		01-4200/4 STD 0.30 0.50
MB/HL 1-5	5	59.981/60.000	63.731/63.750	20.290	1.845	0.040/0.100	AL-LF	66726RA		H1057/5 STD 0.30 0.50
TW/A	4	67.050/67.300	83.050/83.300		2.330		BS	66721BF		A214/4 STD 0.10
SE/PB	1	25.007/25.020	27.200/27.221	24.050			BS	66729YA		55-4201 SEMI

12/84 →

SE/PB	1	25.007/25.020	27.000/27.021	24.150			BS	66729Y	55-4266 STD SEMI
-------	---	---------------	---------------	--------	--	--	----	--------	----------------------------

→ 11/84
66729YA
66729Y


		
---	---	---

EL890 [42]

JJ283 [40]

NA5191  42.00x62.00x7.00mm, PTFE

NA5192  90.00x110.00x7.00mm, PTFE

JJ283

[40] Oil Pan Material: Steel

[40] Matériel pour carter d'huile: acier

[40] Material cárter: Acero



[40] Materiale coppa olio: Acciaio

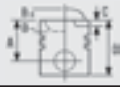

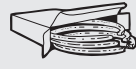






 [42] Supplementary Article/Supplementary Info:
with gaskets/seals



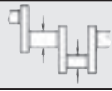








 [42] Article complémentaire /
Info complémentaire: avec joints







 [42] Artículo complementario/Información
complementaria: con juntas

 [42] Articolo complementare/Info
integrativa: con guarnizioni

946	 83.00	Diesel				
XUD9A (D9B)	4 Cyl.	23.5:1	1905cc	51kW (69)PS	TD2834	192
XUD9A (DJY)	4 Cyl.	23.5:1	1905cc	51kW (69)PS	TD2887	193
XUD9A (DJY)	4 Cyl.	23.5:1	1905cc	51kW (70)PS	TD6556	193
306	06/94→04/02	405	03/88→11/99	BERLINGO	07/96→	
BOXER	07/99→04/02	C25	01/88→01/94	J5	09/87→03/94	
JUMPER	07/99→04/02	PARTNER	05/96→	XSARA	04/97→09/00	
ZX	07/93→06/97					

				
87-152000-10 87-152007-10 87-152010-10	STD 0.50mm 0.80mm	08-152000-00 08-152003-00 08-152007-00 08-152010-00 08-152011-00	STD 0.125mm 0.50mm 0.80mm 1.00mm	14-020530-00 D B 85.60 C 153.50 D 88.50 E 3.90
A 46.80 B- 2.20 D 84.30  25x72		2.00  CR P 2.00  P 3.00  CR P		88-152000-30 87-152000-10 + 14-020530-00

										
BE/PL	4	49.984/50.000	53.695/53.708	20.050	1.830	0.040/0.090	AL-LF	66725RA	01-4200/4 STD 0.30 0.50	
MB/HL 1-5	5	59.981/60.000	63.731/63.750	20.290	1.845	0.040/0.100	AL-LF	66726RA	H1057/5 STD 0.30 0.50	
TW/A	4	67.050/67.300	83.050/83.300		2.330		BS	66721BF	A214/4 STD 0.10	
SE/PB	1	25.007/25.020	27.200/27.221	24.050			BS	66729YA	55-4201 SEMI	

		
 EL890 [42]	JJ283 [40]	NA5191  42.00x62.00x7.00mm, PTFE NA5192  90.00x110.00x7.00mm, PTFE



JJ283

[40] Oil Pan Material: Steel	[40] Matériel pour carter d'huile: acier	[40] Material cárter: Acero	[40] Materiale coppa olio: Acciaio
[42] Supplementary Article/Supplementary Info: with gaskets/seals	[42] Article complémentaire / Info complémentaire: avec joints	[42] Artículo complementario/Información complementaria: con juntas	[42] Articolo complementare/Info integrativa: con guarnizioni

947

83.00
Diesel

XUD9A/L (D9B)

4 Cyl.

23.5:1

1905cc

50kW (68)PS
TD4267
194
BERLINGO

07/96 →

XANTIA

06/94 → 01/98

87-152000-10 87-152007-10 87-152010-10	STD 0.50mm 0.80mm		08-152000-00 08-152003-00 08-152007-00 08-152010-00 08-152011-00	STD 0.125mm 0.50mm 0.80mm 1.00mm	14-020530-00 D B 85.60 C 153.50 D 88.50 E 3.90		88-152000-30 87-152000-10 + 14-020530-00
A 46.80 B- 2.20 D 84.30 25x72			2.00 CR P 2.00 P 3.00 CR P				

BE/PL	4	49.984/50.000	53.695/53.708	20.050	1.830	0.040/0.090	AL-LF	66725RA	01-4200/4 STD 0.30 0.50
MB/HL 1-5	5	59.981/60.000	63.731/63.750	20.290	1.845	0.040/0.100	AL-LF	66726RA	H1057/5 STD 0.30 0.50
TW/A	4	67.050/67.300	83.050/83.300		2.330		BS	66721BF	A214/4 STD 0.10
SE/PB	1	25.007/25.020	27.200/27.221	24.050			BS	66729YA	55-4201 SEMI

EL890 [42]	JJ283 [40] =PA349 22.00x16.00x2.000mm =PB907 14.00x21.00x2.000mm 	NA5191 42.00x62.00x7.00mm, PTFE NA5192 90.00x110.00x7.00mm, PTFE

JJ283

[40] Oil Pan Material: Steel

 [42] Supplementary Article/Supplementary Info:
with gaskets/seals

[40] Matériel pour carter d'huile: acier



 [42] Article complémentaire /
Info complémentaire: avec joints

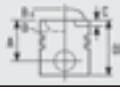








[40] Material cárter: Acero



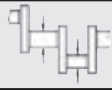







 [42] Artículo complementario/Información
complementaria: con juntas




[40] Materiale coppa olio: Acciaio

 [42] Articolo complementare/Info
integrativa: con guarnizioni

948	 83.00	Diesel				
XUD9A/U (D9B)	4 Cyl.	23.5:1	1905cc	66kW (90)PS	TD4266	195
XUD9Y (DJZ)	4 Cyl.	23.5:1	1905cc	47kW (64)PS	TD2891	209
XUD9Y (DJZ)	4 Cyl.	23.5:1	1905cc	52kW (71)PS	TD646	209
205	10/87→09/98	306	05/93→05/01	309	07/89→12/93	
405	07/88→10/96	BX	09/83→12/94	C25	07/87→02/94	
JUMPER	02/94→04/02	JUMPY	10/95→08/98	XANTIA	06/94→01/98	
ZX	03/91→10/97					

				
87-152000-10 87-152007-10 87-152010-10	STD 0.50mm 0.80mm	08-152000-00 08-152003-00 08-152007-00 08-152010-00 08-152011-00	STD 0.125mm 0.50mm 0.80mm 1.00mm	14-020530-00 D B 85.60 C 153.50 D 88.50 E 3.90
A 46.80 B- 2.20 D 84.30  25x72		2.00  CR P 2.00  P 3.00  CR P		88-152000-30 87-152000-10 + 14-020530-00

									
BE/PL	4	49.984/50.000	53.695/53.708	20.050	1.830	0.040/0.090	AL-LF	66725RA	01-4200/4 STD 0.30 0.50
MB/HL 1-5	5	59.981/60.000	63.731/63.750	20.290	1.845	0.040/0.100	AL-LF	66726RA	H1057/5 STD 0.30 0.50
TW/A	4	67.050/67.300	83.050/83.300		2.330		BS	66721BF	A214/4 STD 0.10
SE/PB	1	25.007/25.020	27.200/27.221	24.050			BS	66729YA	55-4201 SEMI

		
---	---	---

 EL890 [42]	JJ283 [40]	NA5191  42.00x62.00x7.00mm, PTFE NB959  35.00x50.00x7.00mm, FPM NA5192  90.00x110.00x7.00mm, PTFE
---	-------------------	---



JJ283

[40] Oil Pan Material: Steel

[40] Matériel pour carter d'huile: acier

[40] Material cárter: Acero

[40] Materiale coppa olio: Acciaio

[42] Supplementary Article/Supplementary Info:
with gaskets/seals

[42] Article complémentaire /
Info complémentaire: avec joints

[42] Artículo complementario/Información
complementaria: con juntas

[42] Articolo complementare/Info
integrativa: con guarnizioni

949

83.00
Diesel

XUD9AU (D8C)

4 Cyl.

23:1

1905cc

51kW (69)PS
TD10827
196

87-152000-10 87-152007-10 87-152010-10 A 46.80 B- 2.20 D 84.30 25x72	STD 0.50mm 0.80mm		08-105500-00 STD 08-105507-00 0.50mm 08-105510-00 0.80mm 01/97→ 3.00 CK 2.00 NT 3.00 CR P	14-020530-00 D B 85.60 C 153.50 D 88.50 E 3.90 				
		08-325500-00 STD 08-325507-00 0.50mm →12/96 3.50 MOL P 2.00 P 3.00 CR P						

BE/PL	4	49.984/50.000	53.695/53.708	20.050	1.830	0.040/0.090	AL-LF	66725RA	01-4200/4 STD 0.30 0.50
MB/HL 1-5	5	59.981/60.000	63.731/63.750	20.290	1.845	0.040/0.100	AL-LF	66726RA	H1057/5 STD 0.30 0.50
TW/A	4	67.050/67.300	83.050/83.300		2.330		BS	66721BF	A214/4 STD 0.10
SE/PB	1	25.007/25.020	27.200/27.221	24.050			BS	66729YA	55-4201 SEMI

EL890 [42]	JJ283 [40] =PA349 22.00x16.00x2.000mm =PB907 14.00x21.00x2.000mm 	NA5191 42.00x62.00x7.00mm, PTFE NA5192 90.00x110.00x7.00mm, PTFE

JJ283

[40] Oil Pan Material: Steel

 [42] Supplementary Article/Supplementary Info:
with gaskets/seals

[40] Matériel pour carter d'huile: acier

 [42] Article complémentaire /
Info complémentaire: avec joints

[40] Material cárter: Acero

 [42] Artículo complementario/Información
complementaria: con juntas

[40] Materiale coppa olio: Acciaio

 [42] Articolo complementare/Info
integrativa: con guarnizioni

950


83.00
Diesel

XUD9AU (D9B)

4 Cyl.

23:1

1905cc

51kW (70)PS

TD2880
194
BOXER

03/94→04/02

EXPERT

02/96→

87-152000-10 87-152007-10 87-152010-10 A 46.80 B- 2.20 D 84.30 25x72	STD 0.50mm 0.80mm		08-152000-00 STD 08-152003-00 0.125mm 08-152007-00 0.50mm 08-152010-00 0.80mm 08-152011-00 1.00mm 2.00 CR P 2.00 P 3.00 CR P	14-020530-00 D B 85.60 C 153.50 D 88.50 E 3.90 				

BE/PL	4	49.984/50.000	53.695/53.708	20.050	1.830	0.040/0.090	AL-LF	66725RA	01-4200/4 STD 0.30 0.50
MB/HL 1-5	5	59.981/60.000	63.731/63.750	20.290	1.845	0.040/0.100	AL-LF	66726RA	H1057/5 STD 0.30 0.50
TW/A	4	67.050/67.300	83.050/83.300		2.330		BS	66721BF	A214/4 STD 0.10
SE/PB	1	25.007/25.020	27.200/27.221	24.050			BS	66729YA	55-4201 SEMI

EL890 [42]	JJ283 [40] = PA349 22.00x16.00x2.000mm = PB907 14.00x21.00x2.000mm 	NA5191 42.00x62.00x7.00mm, PTFE NA5192 90.00x110.00x7.00mm, PTFE	

JJ283

[40] Oil Pan Material: Steel

 [42] Supplementary Article/Supplementary Info:
with gaskets/seals

[40] Matériel pour carter d'huile: acier

 [42] Article complémentaire /
Info complémentaire: avec joints

[40] Material cárter: Acero

 [42] Artículo complementario/Información
complementaria: con juntas

[40] Materiale coppa olio: Acciaio

 [42] Articolo complementare/Info
integrativa: con guarnizioni

951

83.00

Diesel



XUD9BSD (DHV)	4 Cyl.		1905cc	55kW (75)PS		TD22991	198
XUD9BSD (DHV)	4 Cyl.		1905cc	55kW (75)PS		TD9867	197
XUD9SD (DHW)	4 Cyl.	21.8:1	1905cc	66kW (89)PS		TD9365	199
XUD9SD (DHW)	4 Cyl.	21.8:1	1905cc	66kW (89)PS		TD10689	200

306	03/98→04/02	406	10/96→10/04	XANTIA	02/96→04/03
XSARA	01/98→09/00				

87-105500-00 STD 87-105507-00 0.50mm A 46.75 B- 3.50 D 75.00 28x68 AK HA RT TP	08-105500-00 STD 08-105507-00 0.50mm 08-105510-00 0.80mm 01/97→ 3.00 CK 2.00 NT 3.00 CR P 08-325500-00 STD 08-325507-00 0.50mm →12/96 3.50 MOL P 2.00 P 3.00 CR P	14-020530-00 D B 85.60 C 153.50 D 88.50 E 3.90 	

BE/PL	4	49.984/50.000	53.695/53.708	20.000	1.838	0.039/0.073	EC	71-3730	71-3730/4 STD 0.30
MB/HL 1-5	5	59.981/60.000	63.731/63.750	20.290	1.845	0.040/0.100	AL-LF	66726RA	H1057/5 STD 0.30 0.50
TW/A	4	67.050/67.300	83.050/83.300		1.880		AL-LF	4141AF	A188/4 STD
SE/PB	1	28.007/28.020	30.200/30.221	23.100			BS	41450.500	55-4499 SEMI

EL890 [42]	JJ283 [40] = PA349 22.00x16.00x2.000mm = PB907 14.00x21.00x2.000mm 	NA5191 42.00x62.00x7.00mm, PTFE NA5192 90.00x110.00x7.00mm, PTFE

[40] Oil Pan Material: Steel

[42] Supplementary Article/Supplementary Info:
with gaskets/seals

[40] Matériel pour carter d'huile: acier

[42] Article complémentaire /
Info complémentaire: avec joints

[40] Material cárter: Acero

[42] Artículo complementario/Información
complementaria: con juntas

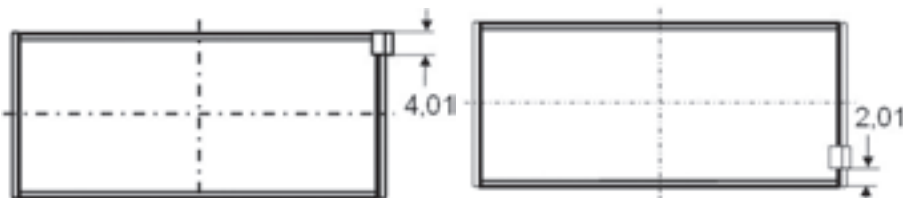
[40] Materiale coppa olio: Acciaio

[42] Articolo complementare/Info
integrativa: con guarnizioni

952	83.00	Diesel	
XUD9TE	4 Cyl.	21.8:1	1905cc
			66kW (90)PS
			TD18953 201
306	04/93→04/97	306 Van	02/94→04/99
BOXER	03/96→04/02		405
			08/92→05/97

87-105500-00 87-105507-00	STD 0.50mm		
A 46.75 B- 3.50 D 75.00 28x68 AK HA RT TP		08-105500-00 STD 08-105507-00 0.50mm 08-105510-00 0.80mm 01/97→ 3.00 CK 2.00 NT 3.00 CR P	14-020530-00 D B 85.60 C 153.50 D 88.50 E 3.90
		08-325500-00 STD 08-325507-00 0.50mm →12/96 3.50 MOL P 2.00 P 3.00 CR P	

BE/PL	4	49.984/50.000	53.695/53.708	20.000	1.838	0.039/0.073	EC	71-3730	71-3730/4 STD 0.30
BE/PL	4	49.984/50.000	53.695/53.708	20.000	1.838	0.020/0.073	EC	71-3899	71-3899/4 STD 0.30
71-3730					71-3899				



MB/HL 1-5	5	59.981/60.000	63.731/63.750	20.290	1.845	0.040/0.100	AL-LF	66726RA	H1057/5 STD 0.30 0.50
TW/A	4	67.050/67.300	83.050/83.300		1.880		AL-LF	4141AF	A188/4 STD
SE/PB	1	28.007/28.020	30.200/30.221	23.100			BS	41450.500	55-4499 SEMI

EL890 [42]	JJ283 [40]	NA5191 42.00x62.00x7.00mm, PTFE NA5192 90.00x110.00x7.00mm, PTFE

JJ283

[40] Oil Pan Material: Steel

[40] Matériel pour carter d'huile: acier

[40] Material cárter: Acero

[40] Materiale coppa olio: Acciaio

[42] Supplementary Article/Supplementary Info:
with gaskets/seals

[42] Article complémentaire /
Info complémentaire: avec joints

[42] Artículo complementario/Información
complementaria: con juntas

[42] Articolo complementare/Info
integrativa: con guarnizioni

CITROEN/PEUGEOT

953



83.00

Diesel



XUD9TE (D8B)	4 Cyl.	21.8:1	1905cc	66kW (89)PS	TD2751	202
XUD9TE (DHX)	4 Cyl.	21.8:1	1905cc	66kW (89)PS	TD2889	203
XUD9TE (DHY)	4 Cyl.	21.8:1	1905cc	66kW (89)PS	TD2888	204
XUD9TE/Y (DHY)	4 Cyl.	21.8:1	1905cc	44/66kW (60/90)PS	TD4269	205
XUD9TF (D8B)	4 Cyl.	21.8:1	1905cc	66kW (90)PS	TD5046	206
XUD9TF/BTF (DHX)	4 Cyl.	21.8:1	1905cc	66kW (90)PS	TD4268	207
XUD9UTF (D8C)	4 Cyl.	21.8:1	1905cc	66kW (89)PS	TD2890	208
XUD9UTF (D8C)	4 Cyl.	21.8:1	1905cc	68kW (92)PS	TD4264	208

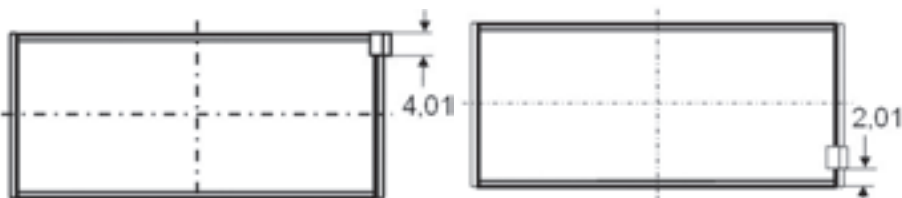
306	05/93→04/02	405	08/92→10/96	406	01/96→10/04
806	07/95→08/02	BOXER	03/94→04/02	EVASION	11/94→07/02
EXPERT	02/96→	JUMPER	02/94→04/02	JUMPY	10/95→
XANTIA	10/94→04/03	XSARA	04/97→09/00	ZX	07/92→10/97

<p>87-105500-00 STD</p> <p>87-105507-00 0.50mm</p> <p>A 46.75</p> <p>B- 3.50</p> <p>D 75.00</p> <p> 28x68</p> <p>AK HA RT TP</p>	 	<p>08-105500-00 STD</p> <p>08-105507-00 0.50mm</p> <p>08-105510-00 0.80mm</p> <p>01/97→</p> <p>3.00 CK</p> <p>2.00 NT</p> <p>3.00 CR P</p>	<p>14-020530-00 D</p> <p>B 85.60 C 153.50 D 88.50 E 3.90</p>
		<p>08-325500-00 STD</p> <p>08-325507-00 0.50mm</p> <p>→12/96</p> <p>3.50 MOL P</p> <p>2.00 P</p> <p>3.00 CR P</p>	

BE/PL	4	49.984/50.000	53.695/53.708	20.000	1.838	0.039/0.073	EC	71-3730	71-3730/4 STD 0.30
BE/PL	4	49.984/50.000	53.695/53.708	20.000	1.838	0.020/0.073	EC	71-3899	71-3899/4 STD 0.30

71-3730

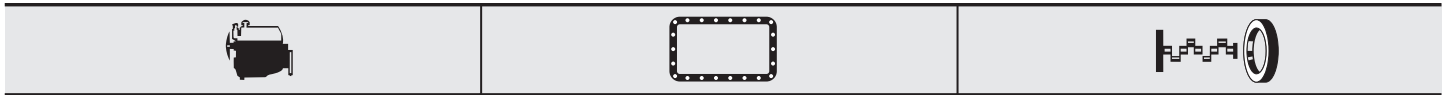
71-3899



MB/HL 1-5	5	59.981/60.000	63.731/63.750	20.290	1.845	0.040/0.100	AL-LF	66726RA	H1057/5 STD 0.30 0.50
TW/A	4	67.050/67.300	83.050/83.300		1.880		AL-LF	4141AF	A188/4 STD
SE/PB	1	28.007/28.020	30.200/30.221	23.100			BS	41450.500	55-4499 SEMI


...Continued

953  **83.00** **Diesel**



 **EL890** [42]

JJ283 [40]
 ⇒ **PA349**
 22.00x16.00x2.000mm
 ⇒ **PB907**
 14.00x21.00x2.000mm

NA5191  42.00x62.00x7.00mm, PTFE
NA5192  90.00x110.00x7.00mm, PTFE



JJ283

[40] Oil Pan Material: Steel

[40] Matériel pour carter d'huile: acier

[40] Material cárter: Acero

[40] Materiale coppa olio: Acciaio

[42] Supplementary Article/Supplementary Info:
 with gaskets/seals

[42] Article complémentaire /
 Info complémentaire: avec joints

[42] Artículo complementario/Información
 complementaria: con juntas




[42] Articolo complementare/Info
 integrativa: con guarnizioni



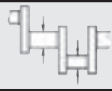
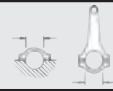






954  **84.00** **Petrol** 

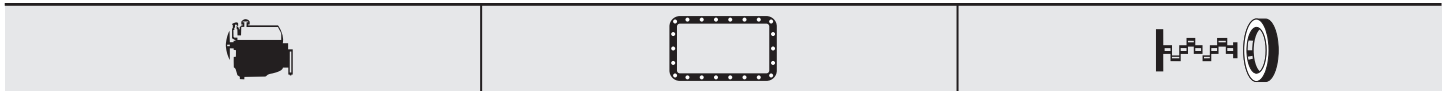
XCSP 3rd Series 4 Cyl. 7.6:1 1618cc **50kW (68)PS** **TD8495** **210**

J7 08/68 → 03/80



08-520300-00 STD
 2.00  CR P
 2.00  P
 4.50  P

									
BE/PL	4	49.975/49.991	53.655/53.674	23.400	1.818	0.030/0.080	AL-LF	2865RA	01-4558/4 STD 0.30 0.50 0.80 1.00
MB/HL 1	1	59.401/59.416	63.227/63.246	29.500	1.888	0.040/0.080	AL-LF	2866RA	H1240/5 STD 0.30 0.50 0.80
MB/HL 2	1	58.548/58.573	62.384/62.403	21.500	1.888	0.040/0.080	AL-LF	61902RA	
MB/HL 3	1	57.174/57.189	61.000/61.019	29.500	1.888	0.040/0.080	AL-LF	61903RA	
MB/HL 4	1	56.140/56.165	59.976/59.995	21.500	1.888	0.040/0.080	AL-LF	61903RAA	
MB/HL 5	1	54.905/54.920	58.731/58.750	29.350	1.888	0.040/0.080	AL-LF	61904RA	
TW/A	4	61.400/61.650	72.550/72.800		2.330		AL-LF	61904BF	A199/4 STD 0.10 0.15 0.20



⇒ **KJ647**
 18.30x24.00x2.000mm

CITROEN/PEUGEOT

955



84.00

Petrol



XC6

4 Cyl.

8.35:1

1618cc

50-54kW (68-74)PS

TD2793

211

404

11/67→12/71

	<p>08-520300-00 STD</p> <p>2.00 CR P</p> <p>2.00 P</p> <p>4.50 P</p>	<p>14-606670-00 WH [29]</p> <p>B 93.00 C 136.20 D 99.20 E 90.01</p>	

[29] Use also: 1 NB O-Ring HR566

[29] A utiliser aussi: 1 joint toriques HR566

[29] Usare anche: 1 NB O-Ring HR566

[29] Utilizar también: 1 NB junta toricas HR566

BE/PL	4	49.975/49.991	53.655/53.674	23.400	1.818	0.030/0.080	AL-LF	2865RA	01-4558/4 STD 0.30 0.50 0.80 1.00	
MB/HL 1	1	59.401/59.416	63.227/63.246	29.500	1.888	0.040/0.080	AL-LF	2866RA	H1240/5 STD 0.30 0.50 0.80	
MB/HL 2	1	58.548/58.573	62.384/62.403	21.500	1.888	0.040/0.080	AL-LF	61902RA		
MB/HL 3	1	57.174/57.189	61.000/61.019	29.500	1.888	0.040/0.080	AL-LF	61903RA		
MB/HL 4	1	56.140/56.165	59.976/59.995	21.500	1.888	0.040/0.080	AL-LF	61903RAA		
MB/HL 5	1	54.905/54.920	58.731/58.750	29.350	1.888	0.040/0.080	AL-LF	61904RA		
TW/A	4	61.400/61.650	72.550/72.800		2.330		AL-LF	61904BF	A199/4 STD 0.10 0.15 0.20	

956



84.00

Petrol



XC7

4 Cyl.

7.6:1

1618cc

54kW (73)PS

TD22472

			<p>14-606670-00 WH [29]</p> <p>B 93.00 C 136.20 D 99.20 E 90.01</p>



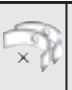
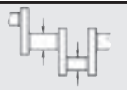
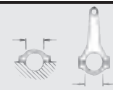






[29] Use also: 1 NB O-Ring HR566


[29] A utiliser aussi: 1 joint toriques HR566


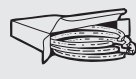






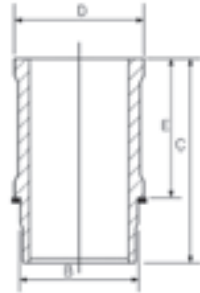
[29] Usare anche: 1 NB O-Ring HR566

[29] Utilizar también: 1 NB junta toricas HR566

...Continued

956		 84.00	Petrol							
										
BE/PL	4	49.975/49.991	53.655/53.674	23.400	1.818	0.030/0.080	AL-LF	2865RA	01-4558/4 STD 0.30 0.50 0.80 1.00	
MB/HL 1	1	59.401/59.416	63.227/63.246	29.500	1.888	0.040/0.080	AL-LF	2866RA	H1240/5 STD 0.30 0.50 0.80	
MB/HL 2	1	58.548/58.573	62.384/62.403	21.500	1.888	0.040/0.080	AL-LF	61902RA		
MB/HL 3	1	57.174/57.189	61.000/61.019	29.500	1.888	0.040/0.080	AL-LF	61903RA		
MB/HL 4	1	56.140/56.165	59.976/59.995	21.500	1.888	0.040/0.080	AL-LF	61903RAA		
MB/HL 5	1	54.905/54.920	58.731/58.750	29.350	1.888	0.040/0.080	AL-LF	61904RA		
TW/A	4	61.400/61.650	72.550/72.800		2.330		AL-LF	61904BF	A199/4 STD 0.10 0.15 0.20	

957		 84.00	Petrol							
XC7P	4 Cyl.	7.6:1	1618cc	46kW (63)PS				TD8496	212	
504	01/80→06/87	J7	08/68→03/80	J9	03/80→06/87					

			
[38]	08-520300-00 STD	14-606670-00 WH [29] B 93.00 C 136.20 D 99.20 E 90.01	89-520300-00
A 41.60 B+ 3.35 D 80.70  23x70	2.00  CR P 2.00  P 4.50  P		

[29] Use also: 1 NB O-Ring HR566

[29] A utiliser aussi: 1 joint toriques HR566

[29] Usare anche: 1 NB O-Ring HR566



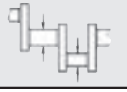
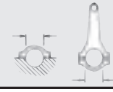





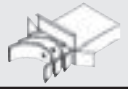
[29] Utilizar también: 1 NB junta toricas HR566

[38] Piston available in Kit Set only

[38] Chemise disponible en kit seulement




[38] I pistoni sono disponibili solo in kit motore



[38] Pistón disponible en conjuntos solamente

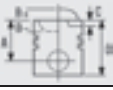






									
BE/PL	4	49.975/49.991	53.655/53.674	23.400	1.818	0.030/0.080	AL-LF	2865RA	01-4558/4 STD 0.30 0.50 0.80 1.00
MB/HL 1	1	59.401/59.416	63.227/63.246	29.500	1.888	0.040/0.080	AL-LF	2866RA	H1240/5 STD 0.30 0.50 0.80
MB/HL 2	1	58.548/58.573	62.384/62.403	21.500	1.888	0.040/0.080	AL-LF	61902RA	
MB/HL 3	1	57.174/57.189	61.000/61.019	29.500	1.888	0.040/0.080	AL-LF	61903RA	
MB/HL 4	1	56.140/56.165	59.976/59.995	21.500	1.888	0.040/0.080	AL-LF	61903RAA	
MB/HL 5	1	54.905/54.920	58.731/58.750	29.350	1.888	0.040/0.080	AL-LF	61904RA	
TW/A	4	61.400/61.650	72.550/72.800		2.330		AL-LF	61904BF	A199/4 STD 0.10 0.15 0.20



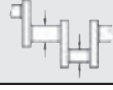
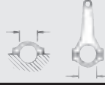






CITROEN/PEUGEOT



...Continued

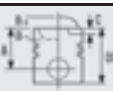






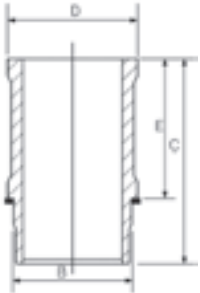
957	 84.00	Petrol		
			⇒PA349 22.00x16.00x2.000mm	



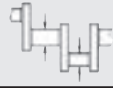
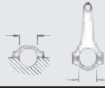






958	 84.00	Petrol				
KF5	4 Cyl.	8.35:1	1796cc	71kW (96)PS	TD2883	213
504	07/68→02/71					

			
	08-315300-00 STD 08-315307-00 0.50mm 1.50  CR P 2.00  P 4.00  CR [26]		
[26] Steel	[26] Acier	[26] Acciaio	[26] Acero






									
BE/PL	4	49.975/49.991	53.655/53.674	23.400	1.818	0.030/0.080	AL-LF	2865RA	01-4558/4 STD 0.30 0.50 0.80 1.00



959	 84.00	Petrol				
KF6	4 Cyl.	8.35:1	1796cc	71kW (96)PS	TD2755	214
XM	4 Cyl.	8.35:1	1796cc	60kW (81)PS	TD2824	214
504	07/68→02/71					




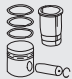



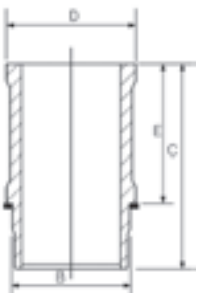
			
	08-315300-00 STD 08-315307-00 0.50mm 1.50  CR P 2.00  P 4.00  CR [26]	14-606670-00 WH [29] B 93.00 C 136.20 D 99.20 E 90.01 	
[26] Steel	[26] Acier	[26] Acciaio	[26] Acero
[29] Use also: 1 NB O-Ring HR566	[29] A utiliser aussi: 1 joint toriques HR566	[29] Usare anche: 1 NB O-Ring HR566	[29] Utilizar también: 1 NB junta toricas HR566

									
BE/PL	4	49.975/49.991	53.655/53.674	23.400	1.818	0.030/0.080	AL-LF	2865RA	01-4558/4 STD 0.30 0.50 0.80 1.00

...Continued

959	 84.00	Petrol
		
	⇒ PA349 22.00x16.00x2.000mm	NA5191  42.00x62.00x7.00mm, PTFE

960	 84.00	Petrol	
XM7	4 Cyl.	1796cc	53-58kW (72-79)PS
504	01/71→12/89	505	04/82→09/85
			TD2825 215

			
	08-315300-00 STD 08-315307-00 0.50mm 1.50  CR P 2.00  P 4.00  CR [26]	14-606670-00 WH [29] B 93.00 C 136.20 D 99.20 E 90.01 	

[26] Steel

[26] Acier

[26] Acciaio


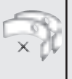
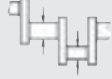







[26] Acero






[29] Use also: 1 NB O-Ring HR566

[29] A utiliser aussi: 1 joint toriques HR566

[29] Usare anche: 1 NB O-Ring HR566

[29] Utilizar también: 1 NB junta toricas HR566

									
BE/PL	4	49.975/49.991	53.655/53.674	23.400	1.818	0.030/0.080	AL-LF	2865RA	01-4558/4 STD 0.30 0.50 0.80 1.00

		
		NA5191  42.00x62.00x7.00mm, PTFE NA5192  90.00x110.00x7.00mm, PTFE

CITROEN/PEUGEOT

961



84.00

Petrol



XM7 (105)

4 Cyl.

8.8:1

1796cc

55-60kW (75-82)PS

TD2826

215

505

06/81 → 10/85

<p>[38]</p> <p>A 38.00 D 71.30 23x70</p>	<p>08-315300-00 STD 08-315307-00 0.50mm</p> <p>1.50 CR P 2.00 P 4.00 CR [26]</p>	<p>14-606670-00 WH [29] B 93.00 C 136.20 D 99.20 E 90.01</p>	<p>89-315300-00</p>

[26] Steel [26] Acier [26] Acciaio [26] Acero
 [29] Use also: 1 NB O-Ring HR566 [29] A utiliser aussi: 1 joint toriques HR566 [29] Usare anche: 1 NB O-Ring HR566 [29] Utilizar también: 1 NB junta toricas HR566
 [38] Piston available in Kit Set only [38] Chemise disponible en kit seulment [38] I pistoni sono disponibili solo in kit motore [38] Pistón disponible en conjuntos solamente

BE/PL	MB/HL 5	MB/HL 4	MB/HL 3	MB/HL 2	MB/HL 1	TW/A
4	1	1	1	1	1	4
49.975/49.991	54.905/54.920	56.140/56.165	57.174/57.189	58.548/58.573	59.401/59.416	61.400/61.650
53.655/53.674	58.731/58.750	59.976/59.995	61.000/61.019	62.384/62.403	63.227/63.246	72.550/72.800
23.400	29.350	21.500	29.500	21.500	29.500	2.330
1.818	1.900	1.900	1.900	1.900	1.900	
0.030/0.080	0.040/0.080	0.040/0.080	0.040/0.080	0.040/0.080	0.040/0.080	
AL-LF	AL-LF	AL-LF	AL-LF	AL-LF	AL-LF	AL-LF
2865RA	66696RA	66697RA	66698RA	66699RA	66699RAA	61904BF
01/81 →						
<p>A199/4 STD 0.10 0.15 0.20</p>						

<p>NA5191 42.00x62.00x7.00mm, PTFE</p>		

962

84.00
Petrol

XM7A (105C)

4 Cyl.

8.8:1

1796cc

62-66kW (90-90)PS
TD2827
215
505

09/85 → 10/86

	08-315300-00 STD 08-315307-00 0.50mm 1.50 CR P 2.00 P 4.00 CR [26]	14-606670-00 WH [29] B 93.00 C 136.20 D 99.20 E 90.01 	

[26] Steel

[26] Acier

[26] Acciaio

[26] Acero

[29] Use also: 1 NB O-Ring HR566

[29] A utiliser aussi: 1 joint toriques HR566

[29] Usare anche: 1 NB O-Ring HR566

[29] Utilizar también: 1 NB junta toricas HR566

BE/PL	4	49.975/49.991	53.655/53.674	23.400	1.818	0.030/0.080	AL-LF	2865RA	01-4558/4 STD 0.30 0.50 0.80 1.00	
MB/HL 5	1	54.905/54.920	58.731/58.750	29.350	1.900	0.040/0.080	AL-LF	66696RA	H1241/5 STD 0.30 0.50 0.80 1.00	
MB/HL 4	1	56.140/56.165	59.976/59.995	21.500	1.900	0.040/0.080	AL-LF	66697RA		
MB/HL 3	1	57.174/57.189	61.000/61.019	29.500	1.900	0.040/0.080	AL-LF	66698RA		
MB/HL 2	1	58.548/58.573	62.384/62.403	21.500	1.900	0.040/0.080	AL-LF	66699RA		
MB/HL 1	1	59.401/59.416	63.227/63.246	29.500	1.900	0.040/0.080	AL-LF	66699RAA		
01/81 →										
TW/A	4	61.400/61.650	72.550/72.800		2.330		AL-LF	61904BF	A199/4 STD 0.10 0.15 0.20	

		NA5191 42.00x62.00x7.00mm, PTFE

963



84.00

Petrol



XM7P

4 Cyl.

7.5:1

1796cc

48-50kW (65-68)PS

TD8497

215

J7

07/70→03/80

<p>[38]</p> <p>A 38.00 D 71.30 23x70</p>	<p>08-31 5300-00 STD 08-31 5307-00 0.50mm</p> <p>1.50 CR P 2.00 P 4.00 CR [26]</p>	<p>14-606670-00 WH [29] B 93.00 C 136.20 D 99.20 E 90.01</p>	<p>89-315300-00</p>

[26] Steel [26] Acier [26] Acciaio [26] Acero
 [29] Use also: 1 NB O-Ring HR566 [29] A utiliser aussi: 1 joint toriques HR566 [29] Usare anche: 1 NB O-Ring HR566 [29] Utilizar también: 1 NB junta toricas HR566
 [38] Piston available in Kit Set only [38] Chemise disponible en kit seulement [38] I pistoni sono disponibili solo in kit motore [38] Pistón disponible en conjuntos solamente

BE/PL	4	49.975/49.991	53.655/53.674	23.400	1.818	0.030/0.080	AL-LF	2865RA	01-4558/4 STD 0.30 0.50 0.80 1.00	
MB/HL 1	1	59.401/59.416	63.227/63.246	29.500	1.888	0.040/0.080	AL-LF	2866RA	H1240/5 STD 0.30 0.50 0.80	
MB/HL 2	1	58.548/58.573	62.384/62.403	21.500	1.888	0.040/0.080	AL-LF	61902RA		
MB/HL 3	1	57.174/57.189	61.000/61.019	29.500	1.888	0.040/0.080	AL-LF	61903RA		
MB/HL 4	1	56.140/56.165	59.976/59.995	21.500	1.888	0.040/0.080	AL-LF	61903RAA		
MB/HL 5	1	54.905/54.920	58.731/58.750	29.350	1.888	0.040/0.080	AL-LF	61904RA		
TW/A	4	61.400/61.650	72.550/72.800		2.330		AL-LF	61904BF	A199/4 STD 0.10 0.15 0.20	

		<p>NA5191 42.00x62.00x7.00mm, PTFE</p>
--	--	---

964	84.00	Petrol				
XM7T (169)	4 Cyl.	7.5:1	1796cc	51kW (69)PS	TD588	216
XM7T (169B)	4 Cyl.	7.5:1	1796cc	51kW (69)PS	TD6793	217
C25	11/81 → 02/94	J5	01/83 → 01/94			

[38]	08-315300-00 STD 08-315307-00 0.50mm	14-606670-00 WH [29] B 93.00 C 136.20 D 99.20 E 90.01	89-315300-00
A 38.00 D 71.30 23x70	1.50 CR P 2.00 P 4.00 CR [26]		

[26] Steel

[26] Acier

[26] Acciaio

[26] Acero

[29] Use also: 1 NB O-Ring HR566

[29] A utiliser aussi: 1 joint toriques HR566

[29] Usare anche: 1 NB O-Ring HR566

[29] Utilizar también: 1 NB junta toricas HR566

[38] Piston available in Kit Set only

[38] Chemise disponible en kit seulement

[38] I pistoni sono disponibili solo in kit motore

[38] Pistón disponible en conjuntos solamente

BE/PL	4	49.975/49.991	53.655/53.674	23.400	1.818	0.030/0.080	AL-LF	2865RA	01-4558/4 STD 0.30 0.50 0.80 1.00
MB/HL 5	1	54.905/54.920	58.731/58.750	29.350	1.900	0.040/0.080	AL-LF	66696RA	H1241/5 STD 0.30 0.50 0.80 1.00
MB/HL 4	1	56.140/56.165	59.976/59.995	21.500	1.900	0.040/0.080	AL-LF	66697RA	
MB/HL 3	1	57.174/57.189	61.000/61.019	29.500	1.900	0.040/0.080	AL-LF	66698RA	
MB/HL 2	1	58.548/58.573	62.384/62.403	21.500	1.900	0.040/0.080	AL-LF	66699RA	
MB/HL 1	1	59.401/59.416	63.227/63.246	29.500	1.900	0.040/0.080	AL-LF	66699RAA	
TW/A	4	61.400/61.650	72.550/72.800		2.330		AL-LF	61904BF	A199/4 STD 0.10 0.15 0.20

EM531 [42]	PA349 22.00x16.00x2.00mm	NA5191 42.00x62.00x7.00mm, PTFE NA5192 90.00x110.00x7.00mm, PTFE

[42] Supplementary Article/Supplementary Info:
with gaskets/seals

[42] Article complémentaire /
Info complémentaire: avec joints

[42] Artículo complementario/Información
complementaria: con juntas

[42] Articolo complementare/Info
integrativa: con guarnizioni

CITROEN/PEUGEOT

965

84.00
Petrol

XM7T (169B)

4 Cyl.

7.5:1

1796cc

49-51kW (69-69)PS
TD6575

	08-315300-00 STD 08-315307-00 0.50mm 1.50 CR P 2.00 P 4.00 CR [26]	14-606670-00 WH [29] B 93.00 C 136.20 D 99.20 E 90.01 	

[26] Steel

[26] Acier

[26] Acciaio

[26] Acero

[29] Use also: 1 NB O-Ring HR566

[29] A utiliser aussi: 1 joint toriques HR566

[29] Usare anche: 1 NB O-Ring HR566

[29] Utilizar también: 1 NB junta toricas HR566

BE/PL	4	49.975/49.991	53.655/53.674	23.400	1.818	0.030/0.080	AL-LF	2865RA	01-4558/4 STD 0.30 0.50 0.80 1.00
MB/HL 1	1	59.401/59.416	63.227/63.246	29.500	1.888	0.040/0.080	AL-LF	2866RA	H1240/5 STD 0.30 0.50 0.80
MB/HL 2	1	58.548/58.573	62.384/62.403	21.500	1.888	0.040/0.080	AL-LF	61902RA	
MB/HL 3	1	57.174/57.189	61.000/61.019	29.500	1.888	0.040/0.080	AL-LF	61903RA	
MB/HL 4	1	56.140/56.165	59.976/59.995	21.500	1.888	0.040/0.080	AL-LF	61903RAA	
MB/HL 5	1	54.905/54.920	58.731/58.750	29.350	1.888	0.040/0.080	AL-LF	61904RA	
→10/81									
MB/HL 5	1	54.905/54.920	58.731/58.750	29.350	1.900	0.040/0.080	AL-LF	66696RA	H1241/5 STD 0.30 0.50 0.80 1.00
MB/HL 4	1	56.140/56.165	59.976/59.995	21.500	1.900	0.040/0.080	AL-LF	66697RA	
MB/HL 3	1	57.174/57.189	61.000/61.019	29.500	1.900	0.040/0.080	AL-LF	66698RA	
MB/HL 2	1	58.548/58.573	62.384/62.403	21.500	1.900	0.040/0.080	AL-LF	66699RA	
MB/HL 1	1	59.401/59.416	63.227/63.246	29.500	1.900	0.040/0.080	AL-LF	66699RAA	
11/81→									
TW/A	4	61.400/61.650	72.550/72.800		2.330		AL-LF	61904BF	A199/4 STD 0.10 0.15 0.20

966

84.00
Diesel

DT20C Euro 5

V6 Cyl.

17:1

2993cc

177kW (241)PS
TD23526
218
DT20C Euro 5

V6 Cyl.

17:1

2993cc

177kW (241)PS
TD23527
218
407

06/09→



C5

04/09→



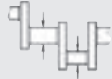







C6








04/09→

	PA349 22.00x16.00x2.000mm	

967  **85.00 Diesel** 

XDP85 4 Cyl. 21:1 1816cc 35-44kW (48-60)PS TD8498 219



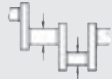







									
BE/PL	4	49.984/50.000	53.695/53.708	29.000	1.822	0.051/0.105	AL-LF	2870RA	01-4135/4 STD 0.30 0.50 0.80 1.00
TW/A	4	61.976/62.204	79.730/79.784		2.336		BS	2873BF	A181/4 STD 0.10 0.15 0.20
SE/PB	1	27.994/28.000	30.950/30.975	29.700			AL-LF	2874Y	05-4136 SEMI [48]


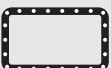



		
 EF580	HC346  =KJ647 18.30x24.00x2.000mm HC346	NF780  45.00x60.00x7.00mm, ACM NF387  42.00x60.00x10.00mm, NBR

968  **85.00 Petrol** 



DEW10J4 (RFR)	4 Cyl.	1997cc	99kW (135)PS	TD12568	224	
EW10D (RLZ)	4 Cyl.	11.4:1	1997cc	103kW (140)PS	TD16233	222
EW10D (RLZ)	4 Cyl.	11.4:1	1997cc	103kW (140)PS	TD16234	222
EW10J4S (RFK)	4 Cyl.	11:1	1997cc	130kW (177)PS	TD17846	225











206	04/99 →	307	10/03 →	406	01/99 → 10/04
C5	03/01 → 08/04				



									
BE/PL	4	44.975/44.991	48.655/48.671	22.500	1.825	0.020/0.070	AL	4300RA	01-4155/4 STD 0.30
MB/HL 1-5	5	59.981/60.000	63.708/63.727	21.000	1.844	0.020/0.083	AL-LF	02-3957	H086/5 STD
TW/A	2	67.050/67.300	83.050/83.300		2.330		AL	04-3980	A161/2 STD
CB/NWB	4	27.982/28.000	31.200/31.218	18.150	1.594		AL-LF	03-3981	N151/6 STD
CB/NWB	8	27.982/28.000	31.200/31.218	18.150	1.594		AL-LF	03-3982	











		
 ED5300	PB907 14.00x21.00x2.000mm	NA5256  40.00x55.00x6.50mm, FPM

CITROEN/PEUGEOT

969	 85.00	Petrol				
EW10A (RFH) Euro 4	4 Cyl.	11:1	1997cc	103kW (140)PS	TD24145	220
EW10A (RFH) Euro 4	4 Cyl.	11:1	1997cc	103kW (140)PS	TD23210	220
EXPERT	01/07→	EXPERT Tepee	01/07→	JUMPY	01/07→	



									
BE/PL	4	44.975/44.991	48.655/48.671	22.500	1.825	0.020/0.070	AL	4300RA	01-4155/4 STD 0.30
MB/HL 1-5	5	59.981/60.000	63.708/63.727	21.000	1.844	0.020/0.083	AL-LF	02-3957	H086/5 STD
TW/A	2	67.050/67.300	83.050/83.300		2.330		AL	04-3980	A161/2 STD
CB/NWB	4	27.982/28.000	31.200/31.218	18.150	1.594		AL-LF	03-3981	N151/6 STD
CB/NWB	8	27.982/28.000	31.200/31.218	18.150	1.594		AL-LF	03-3982	











970	 85.00	Petrol				
EW10A (RFJ)	4 Cyl.	11:1	1997cc	103kW (140)PS	TD19823	221
C4	11/04→	C4 Grand Picasso	10/06→	C4 Picasso	02/07→	
C5	09/04→	C8	09/05→			

									
BE/PL	4	44.975/44.991	48.655/48.671	22.500	1.825	0.020/0.070	AL	4300RA	01-4155/4 STD 0.30
MB/HL 1-5	5	59.981/60.000	63.708/63.727	21.000	1.844	0.020/0.083	AL-LF	02-3957	H086/5 STD
TW/A	2	67.050/67.300	83.050/83.300		2.330		AL	04-3980	A161/2 STD
CB/NWB	4	27.982/28.000	31.200/31.218	18.150	1.594		AL-LF	03-3981	N151/6 STD
CB/NWB	8	27.982/28.000	31.200/31.218	18.150	1.594		AL-LF	03-3982	











NA5256 40.00x55.00x6.50mm, FPM

971	 85.00	Petrol				
EW10A (RFJ) Euro 4	4 Cyl.	11:1	1997cc	103kW (140)PS	TD18690	221
307	03/05→	308 SW	01/08→	407	09/05→	
807	09/05→	EXPERT	01/07→	EXPERT Tepee	01/07→	



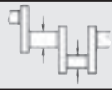
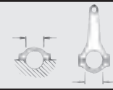






									
BE/PL	4	44.975/44.991	48.655/48.671	22.500	1.825	0.020/0.070	AL	4300RA	01-4155/4 STD 0.30
MB/HL 1-5	5	59.981/60.000	63.708/63.727	21.000	1.844	0.020/0.083	AL-LF	02-3957	H086/5 STD
TW/A	2	67.050/67.300	83.050/83.300		2.330		AL	04-3980	A161/2 STD
CB/NWB	4	27.982/28.000	31.200/31.218	18.150	1.594		AL-LF	03-3981	N151/6 STD
CB/NWB	8	27.982/28.000	31.200/31.218	18.150	1.594		AL-LF	03-3982	






...Continued



971	 85.00	Petrol
		
 ED5300		NA5256  40.00x55.00x6.50mm, FPM

972	 85.00	Petrol			
EW10A (RFK)	4 Cyl.	11:1	1997cc	130kW (177)PS	TD25086
EW10A (RFN)	4 Cyl.	10.8:1	1997cc	100kW (136)PS	TD25087
EW10A (RFR)	4 Cyl.	10.8:1	1997cc	100kW (136)PS	TD25088
EW10J4S (RFK)	4 Cyl.	11:1	1997cc	130kW (177)PS	TD19910 225



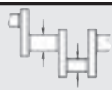
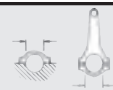






C4 11/04 →

									
BE/PL	4	44.975/44.991	48.655/48.671	22.500	1.825	0.020/0.070	AL	4300RA	01-4155/4 STD 0.30
MB/HL 1-5	5	59.981/60.000	63.708/63.727	21.000	1.844	0.020/0.083	AL-LF	02-3957	H086/5 STD
TW/A	2	67.050/67.300	83.050/83.300		2.330		AL	04-3980	A161/2 STD
CB/NWB	4	27.982/28.000	31.200/31.218	18.150	1.594		AL-LF	03-3981	N151/6 STD
CB/NWB	8	27.982/28.000	31.200/31.218	18.150	1.594		AL-LF	03-3982	

		
 ED5300	NA5256  40.00x55.00x6.50mm, FPM	








973	 85.00	Petrol			
EW10J4 (RFN)	4 Cyl.	10.8:1	1997cc	100kW (136)PS	TD15188 223
EW10J4 (RFN)	4 Cyl.	10.8:1	1997cc	100kW (136)PS	TD15309 223



206	09/00 →	307	08/00 →	406	08/00 → 12/04
407	05/04 →	607	02/00 →	806	09/00 → 08/02
807	06/02 →	C4	11/04 →	C5	03/01 → 08/04
C8	07/02 →	EVASION	05/00 → 07/02	EXPERT	07/00 →
JUMPY	04/00 → 12/06	XSARA	09/00 → 08/05	XSARA PICASSO	01/03 →

									
BE/PL	4	44.975/44.991	48.655/48.671	22.500	1.825	0.020/0.070	AL	4300RA	01-4155/4 STD 0.30
MB/HL 1-5	5	59.981/60.000	63.708/63.727	21.000	1.844	0.020/0.083	AL-LF	02-3957	H086/5 STD
TW/A	2	67.050/67.300	83.050/83.300		2.330		AL	04-3980	A161/2 STD
CB/NWB	4	27.982/28.000	31.200/31.218	18.150	1.594		AL-LF	03-3981	N151/6 STD
CB/NWB	8	27.982/28.000	31.200/31.218	18.150	1.594		AL-LF	03-3982	

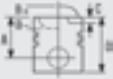



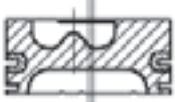






CITROEN/PEUGEOT



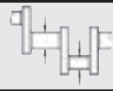
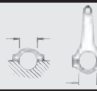






...Continued







973	 85.00	Diesel
		
 ED5300	⇒PB907 14.00x21.00x2.000mm	NA5256  40.00x55.00x6.50mm, FPM NF844  90.00x110.00x11.00mm, FPM/ACM

974	 85.00	Diesel				
DW10ATED (RHS)	4 Cyl.	17.6:1	1997cc	81kW (110)PS	TD20417	226
DW10TD (RHY)	4 Cyl.	18:1	1997cc	63kW (86)PS	TD12569	237
DW10TD (RHY)	4 Cyl.	18:1	1997cc	63kW (86)PS	TD15311	238
DW10UTD (RHY)	4 Cyl.	17.3:1	1997cc	62kW (84)PS	TD16739	239
DW10UTD (RHY)	4 Cyl.	18:1	1997cc	62kW (84)PS	TD17512	239

206	12/99→	306	06/99→04/02	307	08/00→
406	02/99→10/04	607	03/01→07/04	BERLINGO	12/99→
BOXER	08/01→	C5	03/01→08/04	JUMPER	11/01→
PARTNER	02/00→	XANTIA	03/99→04/03	XSARA	02/99→08/05
XSARA PICASSO	12/99→				

			
87-114700-00 87-114708-00	STD 0.60mm 	08-114700-00 08-114708-00	STD 0.60mm 
A 46.75 B- 18.30 BØ 38.00 C 1.00 D 80.75  28x70		3.50  CK P 2.00  P 3.00  CR P	
AK RT TP			

									
BE/PL	4	49.984/50.000	53.695/53.708	20.000	1.838	0.020/0.070	SP	71-3952	71-3952/4 [44] STD 0.30
MB/HL 1-5	5	59.981/60.000	63.731/63.750	20.290	1.845	0.040/0.100	AL-LF	66726RA	H1057/5 STD 0.30 0.50
TW/A	4	67.050/67.300	83.050/83.300		2.330		BS	66721BF	A214/4 STD 0.10
SE/PB	1	27.997/28.000	30.200/30.225	24.050			BS-LF	55-3985	55-3985 SEMI

		
 EA5830	⇒KG5157 10.00x20.00x2.000mm ⇒PB907 14.00x21.00x2.000mm	NA5191  42.00x62.00x7.00mm, PTFE NA5192  90.00x110.00x7.00mm, PTFE

975	85.00	Diesel				
DW10ATED (RHS)	4 Cyl.	17.6:1	1997cc	79kW (107)PS	TD20782	226
DW10TD (RHV)	4 Cyl.	18:1	1997cc	62kW (84)PS	TD24877	236
DW10TD (RHV)	4 Cyl.	18:1	1997cc	62kW (84)PS	TD24911	236
BOXER	04/02→	C5	03/01→08/04	JUMPER	04/02→	

87-114700-00 87-114708-00	STD 0.60mm		08-114700-00 STD 08-114708-00 0.60mm
A 46.75 B- 18.30 BØ 38.00 C 1.00 D 80.75 28x70			3.50 CK P 2.00 P 3.00 CR P
AK RT TP			

BE/PL	4	49.984/50.000	53.695/53.708	20.000	1.838	0.020/0.070	SP	71-3952	71-3952/4 STD 0.30 [44]
MB/HL 1-5	5	59.981/60.000	63.731/63.750	20.290	1.845	0.040/0.100	AL-LF	66726RA	H1057/5 STD 0.30 0.50
TW/A	4	67.050/67.300	83.050/83.300		2.330		BS	66721BF	A214/4 STD 0.10
SE/PB	1	27.997/28.000	30.200/30.225	24.050			BS-LF	55-3985	55-3985 SEMI

EA5830		NA5191 42.00x62.00x7.00mm, PTFE NA5192 90.00x110.00x7.00mm, PTFE

976	85.00	Diesel				
DW10ATED (RHZ)	4 Cyl.	18:1	1997cc	80kW (109)PS	TD10727	227
DW10ATED (RHZ)	4 Cyl.	18:1	1997cc	80kW (109)PS	TD12829	227
DW10BTED (RHZ)	4 Cyl.	17.6:1	1997cc	69kW (93)PS	TD17515	231




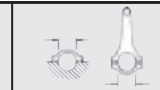





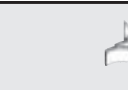

406	06/98→10/04	607	05/00→	806	08/99→08/02
C5	03/01→08/04	EVASION	08/99→07/02	EXPERT	07/00→
JUMPY	03/00→	XANTIA	02/99→04/03	XSARA	05/01→08/05
XSARA PICASSO	12/99→				







87-114700-00 87-114708-00	STD 0.60mm		08-114700-00 STD 08-114708-00 0.60mm
A 46.75 B- 18.30 BØ 38.00 C 1.00 D 80.75 28x70			3.50 CK P 2.00 P 3.00 CR P
AK RT TP			

CITROEN/PEUGEOT

...Continued

976 85.00 Diesel

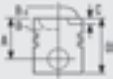




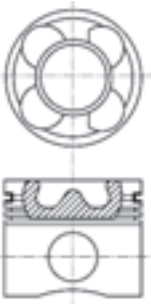



										
BE/PL	4	49.984/50.000	53.695/53.708	20.000	1.838	0.020/0.070	SP	71-3952	71-3952/4 STD 0.30	[44]
MB/HL 1-5	5	59.981/60.000	63.731/63.750	20.290	1.845	0.040/0.100	AL-LF	66726RA	H1057/5 STD 0.30 0.50	
TW/A	4	67.050/67.300	83.050/83.300		2.330		BS	66721BF	A214/4 STD 0.10	
SE/PB	1	27.997/28.000	30.200/30.225	24.050			BS-LF	55-3985	55-3985 SEMI	
CB/NWB	4	27.982/28.000	31.200/31.218	18.150	1.594		AL-LF	03-3981	N151/6 STD	
CB/NWB	8	27.982/28.000	31.200/31.218	18.150	1.594		AL-LF	03-3982		




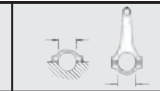





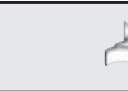

		
 EA5830	KG5157 10.00x20.00x2.000mm PB907 14.00x21.00x2.000mm	NA5191  42.00x62.00x7.00mm, PTFE NA5192  90.00x110.00x7.00mm, PTFE

977 85.00 Diesel




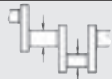












DW10ATED4 (RHM)	4 Cyl.	17.6:1	1997cc	79kW (107)PS	TD20786	228
DW10ATED4 (RHM)	4 Cyl.	17.6:1	1997cc	79kW (107)PS	TD20790	228
DW10ATED4 (RHW)	4 Cyl.	17.6:1	1997cc	80kW (109)PS	TD17510	230
DW10ATED4 (RHW)	4 Cyl.	17.6:1	1997cc	80kW (109)PS	TD20784	230


806	08/99→08/02	807	06/02→	C8	07/02→
EVASION	09/99→07/02	EXPERT	07/00→	JUMPY	03/00→

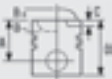

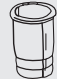


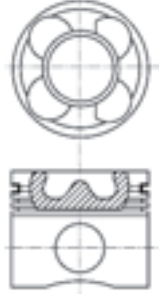



			
87-114700-10 87-114708-10 STD 0.60mm A 46.73 B- 18.80 BØ 39.80 C 1.67 D 72.70  28x68 AK KK RT TP  08517-103	08-114700-00 08-114708-00 STD 0.60mm 3.50  CK P 2.00  P 3.00  CR P		



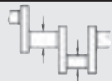












										
BE/PL	4	49.984/50.000	53.695/53.708	20.000	1.838	0.020/0.070	SP	71-3952	71-3952/4 STD 0.30	[44]
MB/HL 1-5	5	59.981/60.000	63.731/63.750	20.290	1.845	0.040/0.100	AL-LF	66726RA	H1057/5 STD 0.30 0.50	
TW/A	4	67.050/67.300	83.050/83.300		2.330		BS	66721BF	A214/4 STD 0.10	
SE/PB	1	27.997/28.000	30.200/30.225	24.050			BS-LF	55-3985	55-3985 SEMI	

...Continued

977	 85.00	Diesel								
										
CB/NWB	4	27.982/28.000	31.200/31.218	18.150	1.594		AL-LF	03-3981	N151/6 STD	
CB/NWB	8	27.982/28.000	31.200/31.218	18.150	1.594		AL-LF	03-3982		
										
EA5830			=KG5157 10.00x20.00x2.000mm =PB907 14.00x21.00x2.000mm				NA5191  42.00x62.00x7.00mm, PTFE NA5192  90.00x110.00x7.00mm, PTFE			

978	 85.00	Diesel							
DW10ATED4 (RHT)	4 Cyl.	17.3:1	1997cc	79kW (107)PS			TD20785	229	
DW10ATED4 (RHT)	4 Cyl.	17.6:1	1997cc	79kW (107)PS			TD20789	229	
807	06/02 →	C8	07/02 →						

			
87-114700-10 87-114708-10	STD 0.60mm	08-114700-00 08-114708-00	STD 0.60mm
A 46.73 B- 18.80 BØ 39.80 C 1.67 D 72.70  28x68 AK KK RT TP		3.50  CK P 2.00  P 3.00  CR P	
	08517-103		

										
BE/PL	4	49.984/50.000	53.695/53.708	20.000	1.838	0.020/0.070	SP	71-3952	71-3952/4 STD 0.30 [44]	
MB/HL 1-5	5	59.981/60.000	63.731/63.750	20.290	1.845	0.040/0.100	AL-LF	66726RA	H1057/5 STD 0.30 0.50	
TW/A	4	67.050/67.300	83.050/83.300		2.330		BS	66721BF	A214/4 STD 0.10	
SE/PB	1	27.997/28.000	30.200/30.225	24.050			BS-LF	55-3985	55-3985 SEMI	
										
EA5830			=KG5157 10.00x20.00x2.000mm =PB907 14.00x21.00x2.000mm				NA5191  42.00x62.00x7.00mm, PTFE NA5192  90.00x110.00x7.00mm, PTFE			

CITROEN/PEUGEOT

979

85.00
Diesel

DW10BTD (RHX) 4 Cyl. 17.6:1 1997cc **69kW (94)PS** **TD21039** **231**
JUMPY 10/99 →

87-114700-00 87-114708-00	STD 0.60mm		08-114700-00 08-114708-00	STD 0.60mm					
A 46.75 B- 18.30 BØ 38.00 C 1.00 D 80.75 28x70 AK RT TP			3.50 CK P 2.00 P 3.00 CR P						

BE/PL	4	49.984/50.000	53.695/53.708	20.000	1.838	0.020/0.070	SP	71-3952	71-3952/4 STD 0.30	[44]
MB/HL 1-5	5	59.981/60.000	63.731/63.750	20.290	1.845	0.040/0.100	AL-LF	66726RA	H1057/5 STD 0.30 0.50	
TW/A	4	67.050/67.300	83.050/83.300		2.330		BS	66721BF	A214/4 STD 0.10	
SE/PB	1	27.997/28.000	30.200/30.225	24.050			BS-LF	55-3985	55-3985 SEMI	
CB/NWB	4	27.982/28.000	31.200/31.218	18.150	1.594		AL-LF	03-3981	N151/6 STD	
CB/NWB	8	27.982/28.000	31.200/31.218	18.150	1.594		AL-LF	03-3982		

EA5830			NA5191 42.00x62.00x7.00mm, PTFE NA5192 90.00x110.00x7.00mm, PTFE




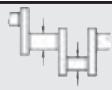
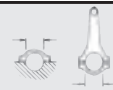











980


85.00
Diesel

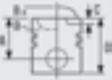






DW10BTD4 (RHF) 4 Cyl. 17.6:1 1997cc **100-103kW (136-140)PS** **TD26795** **232**
DW10BTD4 (RHF) 4 Cyl. 17.6:1 1997cc **103kW (140)PS** **TD26794**
508 11/10 → **508 SW** 11/10 → **C4** 07/08 →
C5 02/08 →















		08-114700-00 08-114708-00		STD 0.60mm					
		3.50 CK P 2.00 P 3.00 CR P							

...Continued

980		 85.00	Diesel							
										
BE/PL	4	49.984/50.000	53.695/53.708	20.000	1.838	0.020/0.070	SP	71-3952	71-3952/4 STD 0.30 [44]	
MB/HL 1-5	5	59.981/60.000	63.731/63.750	20.290	1.845	0.040/0.100	AL-LF	66726RA	H1057/5 STD 0.30 0.50	
TW/A	4	67.050/67.300	83.050/83.300		2.330		BS	66721BF	A214/4 STD 0.10	
SE/PB	1	27.997/28.000	30.200/30.225	24.050			BS-LF	55-3985	55-3985 SEMI	
										
EA5830							NA5191  42.00x62.00x7.00mm, PTFE NA5192  90.00x110.00x7.00mm, PTFE			

981		 85.00	Diesel							
DW10BTD4 (RHJ) Euro 4		4 Cyl.	18:1	1997cc	100kW (136)PS	TD19825 233				
C4 Grand Picasso		10/06 →	C4 Picasso		02/07 →					

			
08-114700-00 STD 08-114708-00 0.60mm 3.50  CK P 2.00  P 3.00  CR P			

981		 85.00	Diesel							
										
BE/PL	4	49.984/50.000	53.695/53.708	20.000	1.838	0.020/0.070	SP	71-3952	71-3952/4 STD 0.30 [44]	
MB/HL 1-5	5	59.981/60.000	63.731/63.750	20.290	1.845	0.040/0.100	AL-LF	66726RA	H1057/5 STD 0.30 0.50	
TW/A	4	67.050/67.300	83.050/83.300		2.330		BS	66721BF	A214/4 STD 0.10	
SE/PB	1	27.997/28.000	30.200/30.225	24.050			BS-LF	55-3985	55-3985 SEMI	
										
EA5830										

CITROEN/PEUGEOT

982

85.00
Diesel


DW10BTED4 (RHR)	4 Cyl.	17.6:1	1997cc	100kW (136)PS	TD17507	234
307	10/03→		308	09/07→	308 CC	04/09→
308 SW	09/07→		407	05/04→	508	11/10→
508 SW	11/10→		607	09/05→	807	06/06→
EXPERT	01/07→		EXPERT Tepee	01/07→		

	08-114700-00 STD 08-114708-00 0.60mm 3.50 CK P 2.00 P 3.00 CR P		

BE/PL	4	49.984/50.000	53.695/53.708	20.000	1.838	0.020/0.070	SP	71-3952	71-3952/4 STD 0.30	[44]
MB/HL 1-5	5	59.981/60.000	63.731/63.750	20.290	1.845	0.040/0.100	AL-LF	66726RA	H1057/5 STD 0.30 0.50	
TW/A	4	67.050/67.300	83.050/83.300		2.330		BS	66721BF	A214/4 STD 0.10	
SE/PB	1	27.997/28.000	30.200/30.225	24.050			BS-LF	55-3985	55-3985 SEMI	
CB/NWB	4	27.982/28.000	31.200/31.218	18.150	1.594		AL-LF	03-3981	N151/6 STD	
CB/NWB	8	27.982/28.000	31.200/31.218	18.150	1.594		AL-LF	03-3982		

ED5500	KG5157 10.00x20.00x2.000mm PB907 14.00x21.00x2.000mm	NA5191 42.00x62.00x7.00mm, PTFE NA5192 90.00x110.00x7.00mm, PTFE

983


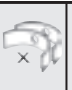
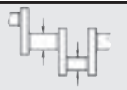
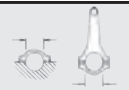





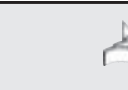

85.00
Diesel





DW10BTED4 (RHR) Euro 4	4 Cyl.	18:1	1997cc	100kW (136)PS	TD19912	234
C4	11/04→		C4 Grand Picasso	10/06→	C4 Picasso	02/07→
C5	09/04→		C8	03/06→	JUMPY	01/07→

	08-114700-00 STD 08-114708-00 0.60mm 3.50 CK P 2.00 P 3.00 CR P		

...Continued

983  **85.00 Diesel**


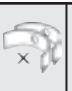
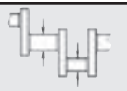
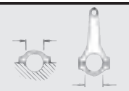





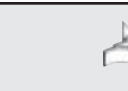

										
BE/PL	4	49.984/50.000	53.695/53.708	20.000	1.838	0.020/0.070	SP	71-3952	71-3952/4 STD 0.30	[44]
MB/HL 1-5	5	59.981/60.000	63.731/63.750	20.290	1.845	0.040/0.100	AL-LF	66726RA	H1057/5 STD 0.30 0.50	
TW/A	4	67.050/67.300	83.050/83.300		2.330		BS	66721BF	A214/4 STD 0.10	
SE/PB	1	27.997/28.000	30.200/30.225	24.050			BS-LF	55-3985	55-3985 SEMI	
CB/NWB	4	27.982/28.000	31.200/31.218	18.150	1.594		AL-LF	03-3981	N151/6 STD	
CB/NWB	8	27.982/28.000	31.200/31.218	18.150	1.594		AL-LF	03-3982		

		
EA5830 ED5500	KG5157 10.00x20.00x2.000mm PB907 14.00x21.00x2.000mm	NA5191 42.00x62.00x7.00mm, PTFE NA5192 90.00x110.00x7.00mm, PTFE



984  **85.00 Diesel** 



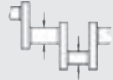
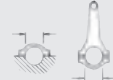






DW10CTED4 (RHC) 4 Cyl. 16:1 1997cc 120kW (163)PS TD28242






D55 12/11 →
















										
BE/PL	4	49.984/50.000	53.695/53.708	20.000	1.838	0.020/0.070	SP	71-3952	71-3952/4 STD 0.30	[44]
MB/HL 1-5	5	59.981/60.000	63.731/63.750	20.290	1.845	0.040/0.100	AL-LF	66726RA	H1057/5 STD 0.30 0.50	
TW/A	4	67.050/67.300	83.050/83.300		2.330		BS	66721BF	A214/4 STD 0.10	
SE/PB	1	27.997/28.000	30.200/30.225	24.050			BS-LF	55-3985	55-3985 SEMI	

CITROEN/PEUGEOT

985		 85.00	Diesel			
DW10CTED4 (RHE)	4 Cyl.	16:1	1997cc	120kW (163)PS	TD24935	235
DW10CTED4 (RHE) Euro 5	4 Cyl.	16:1	1997cc	110kW (150)PS	TD25633	235
DW10CTED4 (RHH) Euro 5	4 Cyl.	16:1	1997cc	120kW (163)PS	TD23536	235
DW10CTED4 (RHH) Euro 5	4 Cyl.	16:1	1997cc	120kW (163)PS	TD23770	235
DW10TD (NFU)	4 Cyl.	18:1	1997cc	66kW (90)PS	TD28060	
308	10/11→		308 CC	06/09→	308 SW	06/09→
407	06/09→		508	11/10→	508 SW	11/10→
807	06/09→		3008	06/09→	5008	06/09→
C4 Grand Picasso	09/10→		C4 Picasso	09/10→	C5	04/09→
C8	03/06→		DS4	04/11→	DS5	11/11→
EXPERT	09/09→		EXPERT Tepee	09/09→	JUMPY	07/10→
RCZ	03/10→					

									
BE/PL	4	49.984/50.000	53.695/53.708	20.000	1.838	0.020/0.070	SP	71-3952	71-3952/4 [44] STD 0.30
MB/HL 1-5	5	59.981/60.000	63.731/63.750	20.290	1.845	0.040/0.100	AL-LF	66726RA	H1057/5 STD 0.30 0.50
TW/A	4	67.050/67.300	83.050/83.300		2.330		BS	66721BF	A214/4 STD 0.10
SE/PB	1	27.997/28.000	30.200/30.225	24.050			BS-LF	55-3985	55-3985 SEMI

		
EA5830		NA5191  42.00x62.00x7.00mm, PTFE NA5192  90.00x110.00x7.00mm, PTFE

986		 85.00	Diesel						
DW10DTED4 (RHO) Euro 5	4 Cyl.	17.6:1	1997cc	110kW (150)PS	TD23969				
									
BE/PL	4	49.984/50.000	53.695/53.708	20.000	1.838	0.020/0.070	SP	71-3952	71-3952/4 [44] STD 0.30
MB/HL 1-5	5	59.981/60.000	63.731/63.750	20.290	1.845	0.040/0.100	AL-LF	66726RA	H1057/5 STD 0.30 0.50
TW/A	4	67.050/67.300	83.050/83.300		2.330		BS	66721BF	A214/4 STD 0.10
SE/PB	1	27.997/28.000	30.200/30.225	24.050			BS-LF	55-3985	55-3985 SEMI
									
EA5830									

987

85.00

Diesel



DW10UTED4 (RHK)	4 Cyl.	17.5:1	1997cc	79kW (107)PS	TD20787	240
DW10UTED4 (RHK) Euro 4	4 Cyl.	17.5:1	1997cc	85-88kW (116-120)PS	TD19814	240
807	02/06 →	C8	02/07 →	EXPERT	01/07 →	
EXPERT Tepee	01/07 →	JUMPY	01/07 →			

87-114700-40	STD		08-114700-00 STD 08-114708-00 0.60mm 3.50 CK P 2.00 P 3.00 CR P				
A	46.71						
B-	15.40						
BØ	44.80						
C	0.57						
D	72.71						
	28x70						
AK KK RT TP							

BE/PL	4	49.984/50.000	53.695/53.708	20.000	1.838	0.020/0.070	SP	71-3952	71-3952/4 [44] STD 0.30
MB/HL 1-5	5	59.981/60.000	63.731/63.750	20.290	1.845	0.040/0.100	AL-LF	66726RA	H1057/5 STD 0.30 0.50
TW/A	4	67.050/67.300	83.050/83.300		2.330		BS	66721BF	A214/4 STD 0.10
SE/PB	1	27.997/28.000	30.200/30.225	24.050			BS-LF	55-3985	55-3985 SEMI
CB/NWB	4	27.982/28.000	31.200/31.218	18.150	1.594		AL-LF	03-3981	N151/6 STD
CB/NWB	8	27.982/28.000	31.200/31.218	18.150	1.594		AL-LF	03-3982	

	EA5830	KG5157 10.00x20.00x2.000mm PB907 14.00x21.00x2.000mm	NA5191 42.00x62.00x7.00mm, PTFE NA5192 90.00x110.00x7.00mm, PTFE			

CITROEN/PEUGEOT

988

85.00
Diesel


XUD11ATE (P8A)	4 Cyl.	21.5:1	2088cc	80-81kW (109-110)PS	TD711	241
XUD11ATE (PHZ)	4 Cyl.	21.5:1	2088cc	80-81kW (109-110)PS	TD717	241
XUD11ATE (PJZ)	4 Cyl.	21.5:1	2088cc	80kW (109)PS	TD718	241

XM 05/89→10/00

	08-154900-00 STD 08-154908-00 0.60mm 3.00 P PS 2.00 P 3.00 CR P		

BE/PL	4	49.984/50.000	53.695/53.708	21.950	1.843	0.020/0.064	BS	4255CP	71-4279/4 STD 0.30
MB/HL 1-5	5	59.981/60.000	63.731/63.750	20.290	1.845	0.040/0.100	AL-LF	66726RA	H1057/5 STD 0.30 0.50
TW/A	4	67.050/67.300	83.050/83.300		1.880		AL-LF	4141AF	A188/4 STD

EV150 [42]	JJ283 [40]	NA5191 42.00x62.00x7.00mm, PTFE NA5192 90.00x110.00x7.00mm, PTFE


JJ283

[40] Oil Pan Material: Steel

[40] Matériel pour carter d'huile: acier

[40] Material cárter: Acero

[40] Materiale coppa olio: Acciaio

 [42] Supplementary Article/Supplementary Info:
with gaskets/seals

 [42] Article complémentaire /
Info complémentaire: avec joints

 [42] Artículo complementario/Información
complementaria: con juntas

 [42] Articolo complementare/Info
integrativa: con guarnizioni

989	85.00	Diesel				
XUD11ATE (PHZ)	4 Cyl.	21.5:1	2088cc	80kW (109)PS	TD2881	242
605	06/89→09/99					

	08-154900-00 STD 08-154908-00 0.60mm 3.00 P PS 2.00 P 3.00 CR P		

BE/PL	4	49.984/50.000	53.695/53.708	21.950	1.843	0.020/0.064	BS	4255CP	71-4279/4 STD 0.30
MB/HL 1-5	5	59.981/60.000	63.731/63.750	20.290	1.845	0.040/0.100	AL-LF	66726RA	H1057/5 STD 0.30 0.50
TW/A	4	67.050/67.300	83.050/83.300		1.880		AL-LF	4141AF	A188/4 STD

EV150 [42]	JJ283 [40] ⇒ PA349 22.00x16.00x2.000mm ⇒ PB907 14.00x21.00x2.000mm 	NA5191 42.00x62.00x7.00mm, PTFE NA5192 90.00x110.00x7.00mm, PTFE

JJ283

[40] Oil Pan Material: Steel

[40] Matériel pour carter d'huile: acier

[40] Material cárter: Acero

[40] Materiale coppa olio: Acciaio

[42] Supplementary Article/Supplementary Info:
with gaskets/seals

[42] Article complémentaire /
Info complémentaire: avec joints

[42] Artículo complementario/Información
complementaria: con juntas

[42] Articolo complementare/Info
integrativa: con guarnizioni



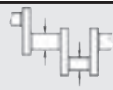
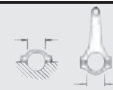






990	85.00	Diesel				
XUD11BTE (P8C)	4 Cyl.	21.5:1	2088cc	81kW (110)PS	TD4281	243
XUD11BTE (P8C)	4 Cyl.	21.5:1	2088cc	81kW (110)PS	TD4850	243
406	01/96→10/04	605	08/94→09/99	806	06/96→08/99	
EVASION	05/96→07/02	XANTIA	06/95→02/99	XM	11/91→10/00	

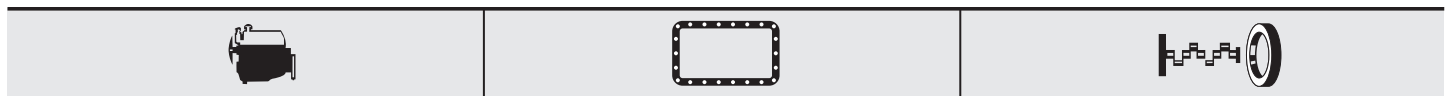
87-126608-00 0.60mm A 44.95 B- 2.70 D 74.80 30x72 HA KK RT TP	 08-126600-00 STD 08-126608-00 0.60mm 3.00 CK P 2.00 NT 3.00 CR		

CITROEN/PEUGEOT

...Continued



990 85.00 Diesel

									
BE/PL	4	49.984/50.000	53.695/53.708	21.950	1.843	0.020/0.064	BS	4255CP	71-4279/4 STD 0.30
MB/HL 1-5	5	59.981/60.000	63.731/63.750	20.290	1.845	0.040/0.100	AL-LF	66726RA	H1057/5 STD 0.30 0.50
TW/A	4	67.050/67.300	83.050/83.300		1.880		AL-LF	4141AF	A188/4 STD



 **EV150** [42]

JJ283 [40]
-PB907
14.00x21.00x2.000mm

NA5191  42.00x62.00x7.00mm, PTFE
NA5192  90.00x110.00x7.00mm, PTFE



JJ283

[40] Oil Pan Material: Steel

[40] Matériel pour carter d'huile: acier

[40] Material cárter: Acero

[40] Materiale coppa olio: Acciaio

[42] Supplementary Article/Supplementary Info:
with gaskets/seals

[42] Article complémentaire /
Info complémentaire: avec joints



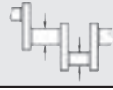
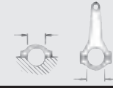






[42] Artículo complementario/Información
complementaria: con juntas

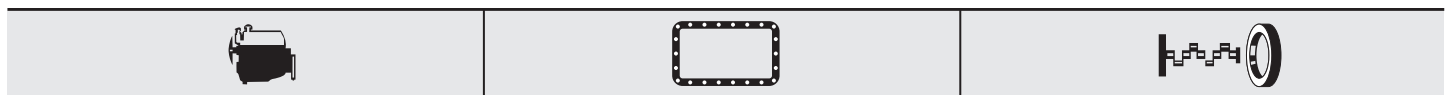
[42] Articolo complementare/Info
integrativa: con guarnizioni

991 85.00 Diesel



DW12BTED4 (4HP) 4 Cyl. 2179cc 120kW (163)PS **TD24729** **244**



407 06/08 →

									
BE/PL	4	49.984/50.000	53.695/53.708	20.000	1.838	0.020/0.070	SP	71-3952	71-3952/4 [44] STD 0.30
MB/HL 1-5	5	59.981/60.000	63.731/63.750	20.290	1.845	0.040/0.100	AL-LF	66726RA	H1057/5 STD 0.30 0.50
TW/A	4	67.050/67.300	83.050/83.300		2.330		BS	66721BF	A214/4 STD 0.10
SE/PB	1	29.995/30.000	33.000/33.025	24.050			BS-LF	55-3984	55-3984 SEMI
CB/NWB	4	27.982/28.000	31.200/31.218	18.150	1.594		AL-LF	03-3981	N151/6 STD
CB/NWB	8	27.982/28.000	31.200/31.218	18.150	1.594		AL-LF	03-3982	










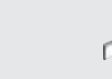








 **EH6520**



NA5191  42.00x62.00x7.00mm, PTFE
NA5192  90.00x110.00x7.00mm, PTFE

992  **85.00 Diesel** 










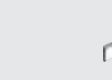

DW12BTED4 (4HR) 4 Cyl. 17.6:1 2179cc **120kW (163)PS** **TD24914**





										
BE/PL	4	49.984/50.000	53.695/53.708	20.000	1.838	0.020/0.070	SP	71-3952	71-3952/4 STD 0.30	[44]
MB/HL 1-5	5	59.981/60.000	63.731/63.750	20.290	1.845	0.040/0.100	AL-LF	66726RA	H1057/5 STD 0.30 0.50	
TW/A	4	67.050/67.300	83.050/83.300		2.330		BS	66721BF	A214/4 STD 0.10	
SE/PB	1	29.995/30.000	33.000/33.025	24.050			BS-LF	55-3984	55-3984 SEMI	
CB/NWB	4	27.982/28.000	31.200/31.218	18.150	1.594		AL-LF	03-3981	N151/6 STD	
CB/NWB	8	27.982/28.000	31.200/31.218	18.150	1.594		AL-LF	03-3982		

		
 ED5490		NA5191  42.00x62.00x7.00mm, PTFE

993  **85.00 Diesel** 

DW12BTED4 (4HS) Euro 4 4 Cyl. 16.6:1 2179cc **125kW (170)PS** **TD24915** **244**

										
BE/PL	4	49.984/50.000	53.695/53.708	20.000	1.838	0.020/0.070	SP	71-3952	71-3952/4 STD 0.30	[44]
MB/HL 1-5	5	59.981/60.000	63.731/63.750	20.290	1.845	0.040/0.100	AL-LF	66726RA	H1057/5 STD 0.30 0.50	
TW/A	4	67.050/67.300	83.050/83.300		2.330		BS	66721BF	A214/4 STD 0.10	
SE/PB	1	29.995/30.000	33.000/33.025	24.050			BS-LF	55-3984	55-3984 SEMI	
CB/NWB	4	27.982/28.000	31.200/31.218	18.150	1.594		AL-LF	03-3981	N151/6 STD	
CB/NWB	8	27.982/28.000	31.200/31.218	18.150	1.594		AL-LF	03-3982		

		
 EH6520		

CITROEN/PEUGEOT

994

85.00
Diesel


DW12BTED4 (4HT) Euro 4	4 Cyl.	16.6:1	2179cc	125kW (170)PS	TD20028	245
DW12BTED4 (4HT) Euro 4	4 Cyl.	16.6:1	2179cc	125kW (170)PS	TD20812	245
407	05/06→	607	05/06→	807	06/06→	
C5	04/06→	C6	06/06→	C8	06/06→	

BE/PL	4	49.984/50.000	53.695/53.708	20.000	1.838	0.020/0.070	SP	71-3952	71-3952/4 STD 0.30 [44]
MB/HL 1-5	5	59.981/60.000	63.731/63.750	20.290	1.845	0.040/0.100	AL-LF	66726RA	H1057/5 STD 0.30 0.50
TW/A	4	67.050/67.300	83.050/83.300		2.330		BS	66721BF	A214/4 STD 0.10
SE/PB	1	29.995/30.000	33.000/33.025	24.050			BS-LF	55-3984	55-3984 SEMI
CB/NWB	4	27.982/28.000	31.200/31.218	18.150	1.594		AL-LF	03-3981	N151/6 STD
CB/NWB	8	27.982/28.000	31.200/31.218	18.150	1.594		AL-LF	03-3982	

ED5490 EH6520		NA5191 42.00x62.00x7.00mm, PTFE NA5192 90.00x110.00x7.00mm, PTFE

995







85.00
Diesel




DW12BTED4 (4HW)	4 Cyl.	17.6:1	2179cc	94kW (128)PS	TD24913	
DW12TED4 (4HZ)	4 Cyl.	18:1	2179cc	100kW (136)PS	TD24912	

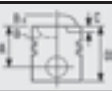











87-114700-30 87-114708-30	STD 0.60mm		08-114700-00 08-114708-00	STD 0.60mm	
A 48.70 B- 18.00 BØ 40.80 C 0.40 C 0.40 D 77.70 30x68			3.50 CK P 2.00 P 3.00 CR P		
AK KK RT					



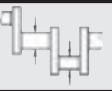







BE/PL	4	49.984/50.000	53.695/53.708	20.000	1.838	0.020/0.070	SP	71-3952	71-3952/4 STD 0.30 [44]
MB/HL 1-5	5	59.981/60.000	63.731/63.750	20.290	1.845	0.040/0.100	AL-LF	66726RA	H1057/5 STD 0.30 0.50
TW/A	4	67.050/67.300	83.050/83.300		2.330		BS	66721BF	A214/4 STD 0.10
SE/PB	1	29.995/30.000	33.000/33.025	24.050			BS-LF	55-3984	55-3984 SEMI
CB/NWB	4	27.982/28.000	31.200/31.218	18.150	1.594		AL-LF	03-3981	N151/6 STD
CB/NWB	8	27.982/28.000	31.200/31.218	18.150	1.594		AL-LF	03-3982	






...Continued

995	 85.00	Diesel
		
 ED5490		NA5191  42.00x62.00x7.00mm, PTFE

996	 85.00	Diesel			
DW12C (4HL)	4 Cyl.	2179cc	150kW (204)PS	TD26899	235
DW12C (4HL) Euro 5	4 Cyl.	2179cc	147-150kW (200-204)PS	TD24921	235
508	11/10→	508 SW	11/10→	C5	07/10→

			
87-436700-00 STD	08-436700-00 STD		
A 48.61 B- 15.12 BØ 50.40 C 0.39 D 74.61  30x68 AK KK NB RT	  0850HA324	2.50  GDC P 2.00  P 2.00  CK GDC  LKZ-Ring 	

									
BE/PL	4	49.984/50.000	53.695/53.708	20.000	1.838	0.020/0.070	SP	71-3952	71-3952/4 STD 0.30 [44]
MB/HL 1-5	5	59.981/60.000	63.731/63.750	20.290	1.845	0.040/0.100	AL-LF	66726RA	H1057/5 STD 0.30 0.50
TW/A	4	67.050/67.300	83.050/83.300		2.330		BS	66721BF	A214/4 STD 0.10
SE/PB	1	29.995/30.000	33.000/33.025	24.050			BS-LF	55-3984	55-3984 SEMI
CB/NWB	4	27.982/28.000	31.200/31.218	18.150	1.594		AL-LF	03-3981	N151/6 STD
CB/NWB	8	27.982/28.000	31.200/31.218	18.150	1.594		AL-LF	03-3982	

		
		NA5191  42.00x62.00x7.00mm, PTFE NA5192  90.00x110.00x7.00mm, PTFE

CITROEN/PEUGEOT

997



85.00

Diesel



DW12MTED4 (4HK)

4 Cyl.

16.6:1

2179cc

115kW (156)PS

TD24916

<p>08-436700-00 STD</p> <p>2.50 GDC P 2.00 P 2.00 CK</p> <p> </p>			

												[44]
BE/PL	MB/HL 1-5	TW/A	SE/PB	CB/NWB	CB/NWB	20.000	1.838	0.020/0.070	SP	71-3952	71-3952/4 STD 0.30	
4	5	4	1	4	8	20.290	1.845	0.040/0.100	AL-LF	66726RA	H1057/5 STD 0.30 0.50	
49.984/50.000	59.981/60.000	67.050/67.300	29.995/30.000	27.982/28.000	27.982/28.000	2.330			BS	66721BF	A214/4 STD 0.10	
53.695/53.708	63.731/63.750	83.050/83.300	33.000/33.025	31.200/31.218	31.200/31.218				BS-LF	55-3984	55-3984 SEMI	
						18.150	1.594		AL-LF	03-3981	N151/6 STD	
						18.150	1.594		AL-LF	03-3982		

998



85.00

Diesel



DW12MTED4 (4HN)

4 Cyl.

16.6:1

2179cc

115kW (156)PS

TD24727

244

DW12MTED4 (4HN)

4 Cyl.

16.6:1

2179cc

115kW (156)PS

TD24713

244

4007

02/07 →

C-CROSSER

02/07 →








C-CROSSER ENTERPRISE



01/09 →

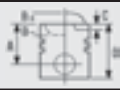








<p>08-436700-00 STD</p> <p>2.50 GDC P 2.00 P 2.00 CK</p> <p> </p>			



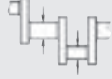







												[44]
BE/PL	MB/HL 1-5	TW/A	SE/PB	CB/NWB	CB/NWB	20.000	1.838	0.020/0.070	SP	71-3952	71-3952/4 STD 0.30	
4	5	4	1	4	8	20.290	1.845	0.040/0.100	AL-LF	66726RA	H1057/5 STD 0.30 0.50	
49.984/50.000	59.981/60.000	67.050/67.300	29.995/30.000	27.982/28.000	27.982/28.000	2.330			BS	66721BF	A214/4 STD 0.10	
53.695/53.708	63.731/63.750	83.050/83.300	33.000/33.025	31.200/31.218	31.200/31.218				BS-LF	55-3984	55-3984 SEMI	
						18.150	1.594		AL-LF	03-3981	N151/6 STD	
						18.150	1.594		AL-LF	03-3982		






...Continued

998	 85.00	Diesel
		
 EH6520		NA5191  42.00x62.00x7.00mm, PTFE NA5192  90.00x110.00x7.00mm, PTFE

999	 85.00	Diesel				
DW12TED4 (4HW)	4 Cyl.	17.6:1	2179cc	94kW (128)PS	TD20024	246
DW12TED4/FAP (4HX)	4 Cyl.		2179cc	100kW (136)PS	TD16165	247
DW12TED4/FAP (4HX)	4 Cyl.	18:1	2179cc	100kW (136)PS	TD16128	247
406	03/00→12/04	607		02/00→	807	06/02→
C5	03/01→	C8		07/02→		

			
87-114700-30	STD	08-114700-00	STD
87-114708-30	0.60mm	08-114708-00	0.60mm
A 48.70		3.50  CK P	
B- 18.00		2.00  P	
BØ 40.80		3.00  CR P	
C 0.40			
C 0.40			
D 77.70			
 30x68			
AK KK RT			

									
BE/PL	4	49.984/50.000	53.695/53.708	20.000	1.838	0.020/0.070	SP	71-3952	71-3952/4 STD 0.30 [44]
MB/HL 1-5	5	59.981/60.000	63.731/63.750	20.290	1.845	0.040/0.100	AL-LF	66726RA	H1057/5 STD 0.30 0.50
TW/A	4	67.050/67.300	83.050/83.300		2.330		BS	66721BF	A214/4 STD 0.10
SE/PB	1	29.995/30.000	33.000/33.025	24.050			BS-LF	55-3984	55-3984 SEMI
CB/NWB	4	27.982/28.000	31.200/31.218	18.150	1.594		AL-LF	03-3981	N151/6 STD
CB/NWB	8	27.982/28.000	31.200/31.218	18.150	1.594		AL-LF	03-3982	

		
 ED5490	PB907 14.00x21.00x2.00mm	NA5191  42.00x62.00x7.00mm, PTFE

CITROEN/PEUGEOT

1000



85.00

Diesel



DW12UTED (4HY)

4 Cyl.

2179cc

74kW (100)PS

TD17513

248

BOXER

04/02→

	08-114700-00 STD 08-114708-00 0.60mm 3.50 CK P 2.00 P 3.00 CR P		

BE/PL	4	49.984/50.000	53.695/53.708	20.000	1.838	0.020/0.070	SP	71-3952	71-3952/4 STD 0.30 [44]
MB/HL 1-5	5	59.981/60.000	63.731/63.750	20.290	1.845	0.040/0.100	AL-LF	66726RA	H1057/5 STD 0.30 0.50
TW/A	4	67.050/67.300	83.050/83.300		2.330		BS	66721BF	A214/4 STD 0.10
SE/PB	1	29.995/30.000	33.000/33.025	24.050			BS-LF	55-3984	55-3984 SEMI
CB/NWB	4	27.982/28.000	31.200/31.218	18.150	1.594		AL-LF	03-3981	N151/6 STD
CB/NWB	8	27.982/28.000	31.200/31.218	18.150	1.594		AL-LF	03-3982	

	—PB907 14.00x21.00x2.000mm		NA5191 42.00x62.00x7.00mm, PTFE

1001



85.00

Diesel



DW12UTED4 (4HY)

4 Cyl.

2179cc

74kW (101)PS

TD24468

249

JUMPER





02/02→

	08-114700-00 STD 08-114708-00 0.60mm 3.50 CK P 2.00 P 3.00 CR P		

BE/PL	4	49.984/50.000	53.695/53.708	20.000	1.838	0.020/0.070	SP	71-3952	71-3952/4 STD 0.30 [44]
MB/HL 1-5	5	59.981/60.000	63.731/63.750	20.290	1.845	0.040/0.100	AL-LF	66726RA	H1057/5 STD 0.30 0.50
TW/A	4	67.050/67.300	83.050/83.300		2.330		BS	66721BF	A214/4 STD 0.10
SE/PB	1	29.995/30.000	33.000/33.025	24.050			BS-LF	55-3984	55-3984 SEMI
CB/NWB	4	27.982/28.000	31.200/31.218	18.150	1.594		AL-LF	03-3981	N151/6 STD
CB/NWB	8	27.982/28.000	31.200/31.218	18.150	1.594		AL-LF	03-3982	




...Continued

1001 85.00 Diesel

		
	⇒PB907 14.00x21.00x2.000mm	NA5191  42.00x62.00x7.00mm, PTFE





1002 86.00 Petrol

B20614	4 Cyl.	8.75:1	1985cc	48kW (65)PS	TD16437	250
C35	11/73→01/94					

		
	⇒PA217 16.30x22.00x2.000mm	


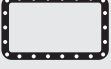


1003 86.00 Petrol

M20-616	4 Cyl.	9.5:1	1985cc	75kW (102)PS	TD687	251
CX	09/74→05/79					

		
	⇒PA217 16.30x22.00x2.000mm	NF752  95.00x112.00x12.50mm, FPM

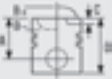




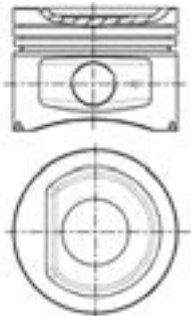



1004 86.00 Petrol

4B11	4 Cyl.	10:1	1998cc	108-118kW (147-160)PS	TD26062	
4B11	4 Cyl.	10:1	1998cc	108-118kW (147-160)PS	TD26063	
4007	11/10→		C-CROSSER	11/10→		

		
		NA5108  42.00x55.00x7.00mm, FPM/ACM

1005 86.00 Petrol

R6A	4 Cyl.	1998cc	90-96kW (122-130)PS	TD22606	252
XM	05/89→06/94				

			
87-154600-00 87-154608-00	STD 0.60mm		
A 40.00 B- 5.02 D 65.00  22x62		08-154600-00 STD 08-154605-00 0.25mm 08-154608-00 0.60mm	
		1.50  MO P 1.75  P 3.00  CR [26]	

[26] Steel

[26] Acier

[26] Acciaio

[26] Acero

CITROEN/PEUGEOT

...Continued

1005



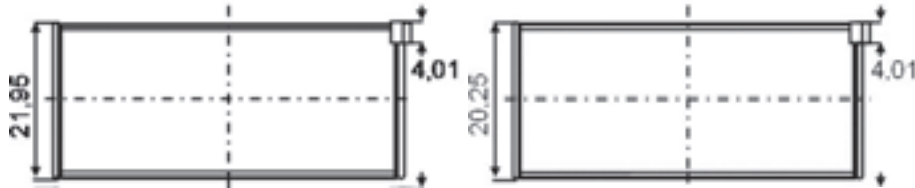
86.00

Petrol

BE/PL	4	49.984/50.000	53.695/53.708	21.950	1.834	0.027/0.081	AL-LF	4150RA	01-4149/4 STD 0.30
→08/92									
BE/PL	4	49.984/50.000	53.695/53.708	20.250	1.837	0.021/0.075	AL	4305RA	01-4298/4 STD 0.30
09/92→									

4150RA

4305RA



MB/HL 1-5	5	59.981/60.000	63.731/63.750	20.290	1.845	0.040/0.100	AL-LF	66726RA	H1057/5 STD 0.30 0.50
TW/A	4	67.050/67.300	83.050/83.300		1.880		AL-LF	4141AF	A188/4 STD



NA5191 42.00x62.00x7.00mm, PTFE

1006



86.00

Petrol



XU10J2	4 Cyl.	8.8:1	1998cc	89kW (121)PS	TD16738	253
JUMPER 04/02→						

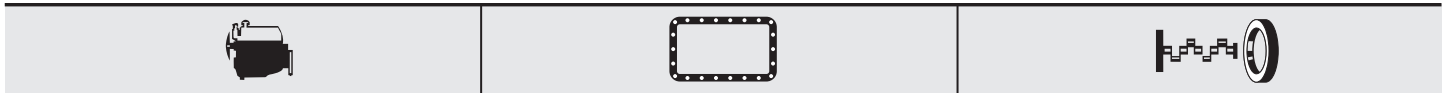
	<p>08-154600-00 STD</p> <p>08-154605-00 0.25mm</p> <p>08-154608-00 0.60mm</p> <p>1.50 MO P</p> <p>1.75 P</p> <p>3.00 CR [26]</p>		

[26] Steel [26] Acier [26] Acciaio [26] Acero

BE/PL	4	49.984/50.000	53.695/53.708	20.250	1.837	0.021/0.075	AL	4305RA	01-4298/4 STD 0.30
MB/HL 1-5	5	59.981/60.000	63.731/63.750	20.290	1.845	0.040/0.100	AL-LF	66726RA	H1057/5 STD 0.30 0.50
TW/A	4	67.050/67.300	83.050/83.300		1.880		AL-LF	4141AF	A188/4 STD


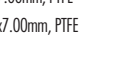
...Continued

1006  **86.00** **Petrol**



 **ES820** [42]

JJ283 [40]
 =**PA349**
 22.00x16.00x2.000mm
 =**PB907**
 14.00x21.00x2.000mm

NA5191  42.00x62.00x7.00mm, PTFE
NA5192  90.00x110.00x7.00mm, PTFE



JJ283

[40] Oil Pan Material: Steel

[40] Matériel pour carter d'huile: acier

[40] Material cárter: Acero

[40] Materiale coppa olio: Acciaio

[42] Supplementary Article/Supplementary Info:
 with gaskets/seals

[42] Article complémentaire /
 Info complémentaire: avec joints

[42] Artículo complementario/Información
 complementaria: con juntas

[42] Articolo complementare/Info
 integrativa: con guarnizioni

1007  **86.00** **Petrol** 

XU10J2 (RFU)	4 Cyl.	8.8:1	1998cc	89-90kW (121-123)PS	TD2848	254
XU10J2 (RFW)	4 Cyl.	8.8:1	1998cc	80kW (109)PS	TD2847	255
XU10J2/C (RFU)	4 Cyl.	9.5:1	1998cc	89kW (121)PS	TD4284	254
XU10J2U (RFW)	4 Cyl.	9.5:1	1998cc	80kW (109)PS	TD4285	253

806	06/94→08/02	BOXER	03/94→04/02	EVASION	06/94→07/02
JUMPER	02/94→04/02				



87-154600-00
87-154608-00

STD
 0.60mm




08-154600-00 STD
08-154605-00 0.25mm
08-154608-00 0.60mm

1.50
 1.75
 3.00



MO P
 P
 CR [26]



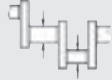







A 40.00
B- 5.02
D 65.00
 22x62

[26] Steel

[26] Acier

[26] Acciaio







[26] Acero

									
BE/PL	4	49.984/50.000	53.695/53.708	20.250	1.837	0.021/0.075	AL	4305RA	01-4298/4 STD 0.30
MB/HL 1-5	5	59.981/60.000	63.731/63.750	20.290	1.845	0.040/0.100	AL-LF	66726RA	H1057/5 STD 0.30 0.50
TW/A	4	67.050/67.300	83.050/83.300		1.880		AL-LF	4141AF	A188/4 STD

CITROEN/PEUGEOT

...Continued

1007 86.00 Petrol

		
<p>ES820 [42]</p>	<p>JJ283 [40] =PA349 22.00x16.00x2.000mm =PB907 14.00x21.00x2.000mm</p> 	<p>NA5191  42.00x62.00x7.00mm, PTFE NA5192  90.00x110.00x7.00mm, PTFE</p>

JJ283

[40] Oil Pan Material: Steel

[40] Matériel pour carter d'huile: acier

[40] Material cárter: Acero

[40] Materiale coppa olio: Acciaio

[42] Supplementary Article/Supplementary Info:

[42] Article complémentaire /

[42] Artículo complementario/Información

[42] Articolo complementare/Info

with gaskets/seals

Info complémentaire: avec joints

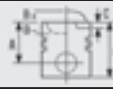

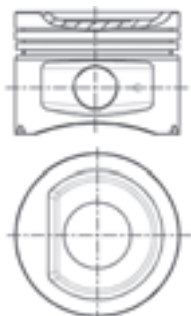





complementaria: con juntas



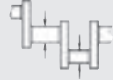







integrativa: con guarnizioni

1008 86.00 Petrol

XU10J2 (RFX)	4 Cyl.	8.8:1	1998cc	89-96kW (121-131)PS	TD2846	256
XU10J2 (RFZ)	4 Cyl.	8.8:1	1998cc	89-90kW (121-122)PS	TD729	257
XU10J2C (RFX)	4 Cyl.	9.5:1	1998cc	89-90kW (120-122)PS	TD727	256
XU10J2C/Z L3 (RFX)	4 Cyl.	9.5:1	1998cc	89-95kW (121-129)PS	TD4286	252

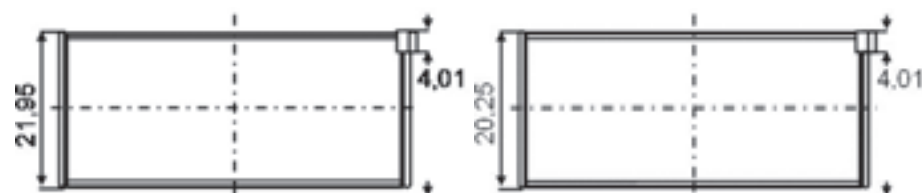
306	05/93→04/02	405	08/92→10/96	XANTIA	03/93→04/03
XM	05/89→06/94	ZX	07/92→10/97		

 87-154600-00 STD 87-154608-00 0.60mm A 40.00 B- 5.02 D 65.00  22x62	 08-154600-00 STD 08-154605-00 0.25mm 08-154608-00 0.60mm 1.50  MO P 1.75  P 3.00  CR [26]	 	
[26] Steel	[26] Acier	[26] Acciaio	[26] Acero

									
BE/PL	4	49.984/50.000	53.695/53.708	21.950	1.834	0.027/0.081	AL-LF	4150RA	01-4149/4 STD 0.30
→08/92									
BE/PL	4	49.984/50.000	53.695/53.708	20.250	1.837	0.021/0.075	AL	4305RA	01-4298/4 STD 0.30
09/92→									



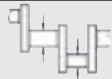







4150RA




4305RA



...Continued



1008  **86.00** **Petrol**

									
MB/HL 1-5	5	59.981/60.000	63.731/63.750	20.290	1.845	0.040/0.100	AL-LF	66726RA	H1057/5 STD 0.30 0.50
TW/A	4	67.050/67.300	83.050/83.300		1.880		AL-LF	4141AF	A188/4 STD

		
---	---	---

 **ES820** [42]

JJ283 [40]
 ⇒ **PA349**
 22.00x16.00x2.000mm
 ⇒ **PB907**
 14.00x21.00x2.000mm

NA5191  42.00x62.00x7.00mm, PTFE
NA5192  90.00x110.00x7.00mm, PTFE



JJ283

[40] Oil Pan Material: Steel

[40] Matériel pour carter d'huile: acier

[40] Material cárter: Acero

[40] Materiale coppa olio: Acciaio

[42] Supplementary Article/Supplementary Info:
with gaskets/seals

[42] Article complémentaire /
Info complémentaire: avec joints








[42] Artículo complementario/Información
complementaria: con juntas

[42] Articolo complementare/Info
integrativa: con guarnizioni

1009  **86.00** **Petrol** 

XU10J2TE (RGX)	4 Cyl.	1998cc	108kW (147)PS	TD4290	258
XU10J2TE/Z (RGY)	4 Cyl.	8.5:1 1998cc	108kW (147)PS	TD4291	260

Evasion	06/94→07/02	XANTIA	06/95→04/03	XM	09/92→10/00
----------------	-------------	---------------	-------------	-----------	-------------



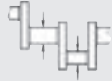
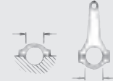






			
	<p>08-154600-00 STD 08-154605-00 0.25mm 08-154608-00 0.60mm</p> <p>1.50  MO P 1.75  P 3.00  CR [26]</p>		

[26] Steel

[26] Acier









[26] Acciaio



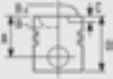






[26] Acero











									
BE/PL	4	49.984/50.000	53.695/53.708	21.950	1.843	0.020/0.064	BS	4255CP	71-4279/4 STD 0.30
MB/HL 1-5	5	59.981/60.000	63.731/63.750	20.290	1.845	0.040/0.100	AL-LF	66726RA	H1057/5 STD 0.30 0.50
TW/A	4	67.050/67.300	83.050/83.300		1.880		AL-LF	4141AF	A188/4 STD








CITROEN/PEUGEOT

...Continued

1009	 86.00	Petrol
		
 ES820 [42]	JJ283 [40] = PB907 14.00x21.00x2.000mm 	NA5191  42.00x62.00x7.00mm, PTFE NA5192  90.00x110.00x7.00mm, PTFE
[40] Oil Pan Material: Steel [42] Supplementary Article/Supplementary Info: with gaskets/seals	[40] Matériel pour carter d'huile: acier [42] Article complémentaire / Info complémentaire: avec joints	[40] Material cárter: Acero [42] Artículo complementario/Información complementaria: con juntas

1010	 86.00	Petrol				
XU10J2TE (RGX)	4 Cyl.	8.8:1	1998cc	108kW (147)PS	TD4847	258
XU10J2TE (RGY)	4 Cyl.	8:1	1998cc	104kW (141)PS	TD2850	259
406	04/96→10/04	605	07/91→09/99	806	06/94→08/02	
						
	08-154600-00 STD 08-154605-00 0.25mm 08-154608-00 0.60mm 1.50  MO P 1.75  P 3.00  CR [26]					
[26] Steel	[26] Acier	[26] Acciaio	[26] Acero			

									
BE/PL	4	49.984/50.000	53.695/53.708	21.950	1.843	0.020/0.064	BS	4255CP	71-4279/4 STD 0.30
MB/HL 1-5	5	59.981/60.000	63.731/63.750	20.290	1.845	0.040/0.100	AL-LF	66726RA	H1057/5 STD 0.30 0.50
TW/A	4	67.050/67.300	83.050/83.300		1.880		AL-LF	4141AF	A188/4 STD

		
 ES820 [42]	JJ283 [40] = PA349 22.00x16.00x2.000mm = PB907 14.00x21.00x2.000mm 	NA5191  42.00x62.00x7.00mm, PTFE NA5192  90.00x110.00x7.00mm, PTFE
[40] Oil Pan Material: Steel [42] Supplementary Article/Supplementary Info: with gaskets/seals	[40] Matériel pour carter d'huile: acier [42] Article complémentaire / Info complémentaire: avec joints	[40] Material cárter: Acero [42] Artículo complementario/Información complementaria: con juntas

1011	86.00	Petrol			
XU10J2U (RFL)	4 Cyl.	9.5:1	1998cc	81kW (110)PS	TD17511 261
BOXER	12/01 →				

BE/PL	4	49.984/50.000	53.695/53.708	20.250	1.837	0.021/0.075	AL	4305RA	01-4298/4 STD 0.30	
MB/HL 1-5	5	59.981/60.000	63.731/63.750	20.290	1.845	0.040/0.100	AL-LF	66726RA	H1057/5 STD 0.30 0.50	
TW/A	4	67.050/67.300	83.050/83.300		1.880		AL-LF	4141AF	A188/4 STD	

ES820 [42]	JJ283 [40] = PA349 22.00x16.00x2.000mm = PB907 14.00x21.00x2.000mm	NA5191 42.00x62.00x7.00mm, PTFE NA5192 90.00x110.00x7.00mm, PTFE

JJ283

[40] Oil Pan Material: Steel

[40] Matériel pour carter d'huile: acier

[40] Material cárter: Acero

[40] Materiale coppa olio: Acciaio

[42] Supplementary Article/Supplementary Info:
with gaskets/seals

[42] Article complémentaire /
Info complémentaire: avec joints

[42] Artículo complementario/Información
complementaria: con juntas

[42] Articol complementare/Info
integrativa: con guarnizioni

1012	86.00	Petrol			
XU102C (R5A)	4 Cyl.	8.8:1	1998cc	84kW (114)PS	TD8480 271
XU10J2Z (RFZ)	4 Cyl.	8.8:1	1998cc	89-90kW (121-123)PS	TD2851 262
XU10J4/Z (RFT)	4 Cyl.	10.4:1	1998cc	112kW (152)PS	TD5066 264
XU10J4/Z (RFY)	4 Cyl.	10.4:1	1998cc	112kW (152)PS	TD4288 265
XU10J4Z (RFY)	4 Cyl.	10.4:1	1998cc	112kW (152)PS	TD2855 269
306	05/93 → 05/01	405	08/92 → 10/95	605	06/89 → 09/99
XANTIA	03/93 → 01/98	ZX	07/92 → 10/97		

	08-154600-00 STD 08-154605-00 0.25mm 08-154608-00 0.60mm		
	1.50 MO P 1.75 P 3.00 CR [26]		

[26] Steel

[26] Acier

[26] Acciaio

[26] Acero

CITROEN/PEUGEOT

...Continued

1012



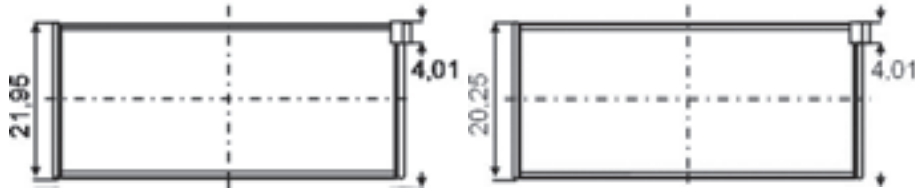
86.00

Petrol

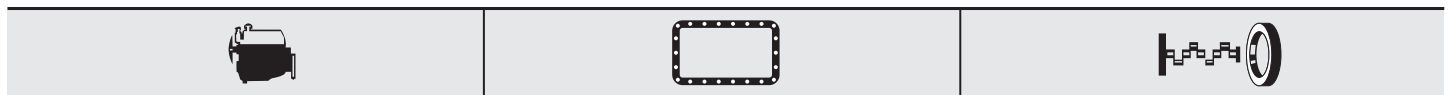
BE/PL	4	49.984/50.000	53.695/53.708	21.950	1.834	0.027/0.081	AL-LF	4150RA	01-4149/4 STD 0.30
→08/92									
BE/PL	4	49.984/50.000	53.695/53.708	20.250	1.837	0.021/0.075	AL	4305RA	01-4298/4 STD 0.30
09/92→									

4150RA

4305RA



MB/HL 1-5	5	59.981/60.000	63.731/63.750	20.290	1.845	0.040/0.100	AL-LF	66726RA	H1057/5 STD 0.30 0.50
TW/A	4	67.050/67.300	83.050/83.300		1.880		AL-LF	4141AF	A188/4 STD



ES820 [42]

JJ283 [40]
=PA349
22.00x16.00x2.000mm
=PB907
14.00x21.00x2.000mm



JJ283

NA5191 42.00x62.00x7.00mm, PTFE
NA5192 90.00x110.00x7.00mm, PTFE

[40] Oil Pan Material: Steel

[40] Matériel pour carter d'huile: acier

[40] Material cárter: Acero

[40] Materiale coppa olio: Acciaio

[42] Supplementary Article/Supplementary Info:
with gaskets/seals

[42] Article complémentaire /
Info complémentaire: avec joints

[42] Artículo complementario/Información
complementaria: con juntas

[42] Articolo complementare/Info
integrativa: con guarnizioni

1013



86.00

Petrol



XU10J4 (RFT)	4 Cyl.	1998cc	110-112kW (150-152)PS	TD2852	263
306	06/94→05/01	405	06/94→10/95		



08-154600-00 STD
08-154605-00 0.25mm
08-154608-00 0.60mm

1.50 MO P
1.75 P
3.00 CR [26]





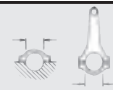






[26] Steel






[26] Acier

[26] Acciaio

[26] Acero

...Continued

1013	 86.00	Petrol							
									
BE/PL	4	49.984/50.000	53.695/53.708	20.250	1.837	0.021/0.075	AL	4305RA	01-4298/4 STD 0.30
MB/HL 1-5	5	59.981/60.000	63.731/63.750	20.290	1.845	0.040/0.100	AL-LF	66726RA	H1057/5 STD 0.30 0.50
TW/A	4	67.050/67.300	83.050/83.300		1.880		AL-LF	4141AF	A188/4 STD


		
ES820 [42]	PA349 22.00x16.00x2.000mm PB907 14.00x21.00x2.000mm	NA5191  42.00x62.00x7.00mm, PTFE NA5192  90.00x110.00x7.00mm, PTFE


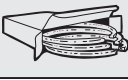





[42] Supplementary Article/Supplementary Info:
with gaskets/seals

[42] Article complémentaire /
Info complémentaire: avec joints

[42] Artículo complementario/Información
complementaria: con juntas

[42] Articolo complementare/Info
integrativa: con guarnizioni

1014	 86.00	Petrol							
XU10J4R (RFV)	4 Cyl.	10.4:1	1998cc	99kW (135)PS			TD11667	266	
XU10J4R (RFV)	4 Cyl.	10.4:1	1998cc	99kW (135)PS			TD2853	266	
306	03/97→04/02	406	11/95→12/04	605	07/94→09/99				
806	05/98→09/00	EVASION	05/98→04/00	XANTIA	06/95→04/03				
XM	05/89→10/00	XSARA	07/98→09/00						



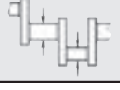
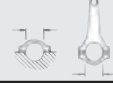






			
	08-154600-00 STD 08-154605-00 0.25mm 08-154608-00 0.60mm 1.50  MO P 1.75  P 3.00  CR [26]		






[26] Steel

[26] Acier

[26] Acciaio

[26] Acero

									
BE/PL	4	49.984/50.000	53.695/53.708	20.250	1.837	0.021/0.075	AL	4305RA	01-4298/4 STD 0.30
MB/HL 1-5	5	59.981/60.000	63.731/63.750	20.290	1.845	0.040/0.100	AL-LF	66726RA	H1057/5 STD 0.30 0.50
TW/A	4	67.050/67.300	83.050/83.300		1.880		AL-LF	4141AF	A188/4 STD

		
	PB907 14.00x21.00x2.000mm	NA5191  42.00x62.00x7.00mm, PTFE NA5192  90.00x110.00x7.00mm, PTFE

CITROEN/PEUGEOT

1015


86.00
Petrol


XU10J4RS (RFS)	4 Cyl.	10.8:1	1998cc	120-123kW (163-167)PS	TD4848	267
XU10J4RS (RFS)	4 Cyl.	10:1	1998cc	120kW (163)PS	TD10668	267

306	03/96→05/01	XSARA	04/97→03/05	ZX	05/96→10/97
-----	-------------	-------	-------------	----	-------------

BE/PL	4	49.984/50.000	53.695/53.708	20.250	1.837	0.021/0.075	AL	4305RA	01-4298/4 STD 0.30
MB/HL 1-5	5	59.981/60.000	63.731/63.750	20.290	1.845	0.040/0.100	AL-LF	66726RA	H1057/5 STD 0.30 0.50
TW/A	4	67.050/67.300	83.050/83.300		1.880		AL-LF	4141AF	A188/4 STD

	PA907 14.00x21.00x2.000mm	NA5191 42.00x62.00x7.00mm, PTFE NA5192 90.00x110.00x7.00mm, PTFE

1016


86.00
Petrol


XU10J4TE/Z (RGZ)	4 Cyl.	8:1	1998cc	144kW (196)PS	TD2854	268
------------------	--------	-----	--------	---------------	--------	-----

405	08/92→12/95
-----	-------------

BE/PL	4	49.984/50.000	53.695/53.708	21.950	1.843	0.020/0.064	BS	4255CP	71-4279/4 STD 0.30
MB/HL 1-5	5	59.981/60.000	63.731/63.750	20.290	1.845	0.040/0.100	AL-LF	66726RA	H1057/5 STD 0.30 0.50
TW/A	4	67.050/67.300	83.050/83.300		1.880		AL-LF	4141AF	A188/4 STD

ES820 [42]	JJ283 [40] PA349 22.00x16.00x2.000mm PA907 14.00x21.00x2.000mm	NA5191 42.00x62.00x7.00mm, PTFE NA5192 90.00x110.00x7.00mm, PTFE


JJ283

[40] Oil Pan Material: Steel

[40] Matériel pour carter d'huile: acier

[40] Material cárter: Acero



[40] Materiale coppa olio: Acciaio



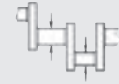









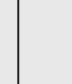


 [42] Supplementary Article/Supplementary Info:
with gaskets/seals

 [42] Article complémentaire /
Info complémentaire: avec joints

 [42] Artículo complementario/Información
complementaria: con juntas

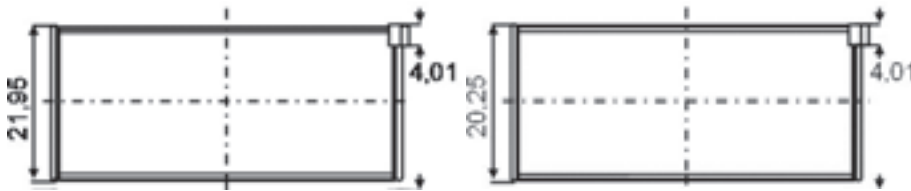
 [42] Artículo complementare/Info
integrativa: con guarnizioni

1017	 86.00	Petrol				
XU10MZ (RDZ)	4 Cyl.	8.8:1	1998cc	81kW (110)PS	TD9552	270
XM	05/89→04/94					





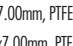

														
BE/PL	4	49.984/50.000	53.695/53.708	21.950	1.834	0.027/0.081	AL-LF	4150RA	01-4149/4 STD 0.30					
→08/92														
BE/PL	4	49.984/50.000	53.695/53.708	20.250	1.837	0.021/0.075	AL	4305RA	01-4298/4 STD 0.30					
09/92→														



4150RA








4305RA



MB/HL 1-5	5	59.981/60.000	63.731/63.750	20.290	1.845	0.040/0.100	AL-LF	66726RA	H1057/5 STD 0.30 0.50					
TW/A	4	67.050/67.300	83.050/83.300		1.880		AL-LF	4141AF	A188/4 STD					

		
ES820 [42]	JJ283 [40] =PA349 22.00x16.00x2.000mm =PB907 14.00x21.00x2.000mm 	NA5191  42.00x62.00x7.00mm, PTFE NA5192  90.00x110.00x7.00mm, PTFE
[40] Oil Pan Material: Steel	[40] Matériel pour carter d'huile: acier	[40] Material cárter: Acero
[42] Supplementary Article/Supplementary Info: with gaskets/seals	[42] Article complémentaire / Info complémentaire: avec joints	[42] Artículo complementario/Información complementaria: con juntas
		[40] Materiale coppa olio: Acciaio
		[42] Articolo complementare/Info integrativa: con guarnizioni

1018	 86.00	Petrol				
XU102C	4 Cyl.	8.8:1	1998cc	79kW (107)PS	TD12830	271
XM	11/91→04/94					

			
	08-154600-00 STD 08-154605-00 0.25mm 08-154608-00 0.60mm 1.50  MO P 1.75  P 3.00  CR [26]		
[26] Steel	[26] Acier	[26] Acciaio	[26] Acero

CITROEN/PEUGEOT

...Continued

1018



86.00

Petrol



BE/PL	4	49.984/50.000	53.695/53.708	21.950	1.834	0.027/0.081	AL-LF	4150RA	01-4149/4 STD 0.30
-------	---	---------------	---------------	--------	-------	-------------	-------	--------	------------------------------

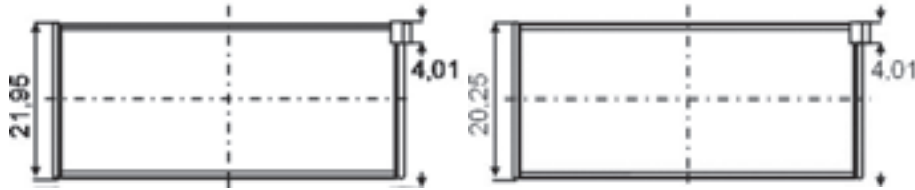
→08/92

BE/PL	4	49.984/50.000	53.695/53.708	20.250	1.837	0.021/0.075	AL	4305RA	01-4298/4 STD 0.30
-------	---	---------------	---------------	--------	-------	-------------	----	--------	------------------------------

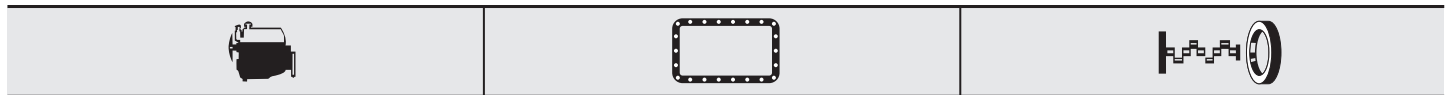
09/92→

4150RA

4305RA



MB/HL 1-5	5	59.981/60.000	63.731/63.750	20.290	1.845	0.040/0.100	AL-LF	66726RA	H1057/5 STD 0.30 0.50
TW/A	4	67.050/67.300	83.050/83.300		1.880		AL-LF	4141AF	A188/4 STD



ES820 [42]

JJ283 [40]

NA5191 42.00x62.00x7.00mm, PTFE
NA5192 90.00x110.00x7.00mm, PTFE



JJ283

[40] Oil Pan Material: Steel

[40] Matériel pour carter d'huile: acier

[40] Material cárter: Acero

[40] Materiale coppa olio: Acciaio

[42] Supplementary Article/Supplementary Info:
with gaskets/seals

[42] Article complémentaire /
Info complémentaire: avec joints

[42] Artículo complementario/Información
complementaria: con juntas

[42] Articolo complementare/Info
integrativa: con guarnizioni

1019



86.00

Diesel



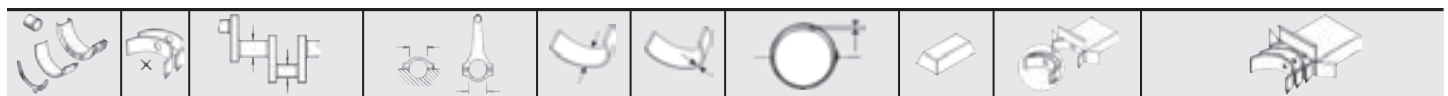
XUD11A (P9A)	4 Cyl.	22.5:1	2138cc	61kW (82)PS	TD11187	272
XUD11A (P9A)	4 Cyl.	22.5:1	2138cc	61kW (82)PS	TD713	272

605	06/89→07/95	XM	05/89→08/96
------------	-------------	-----------	-------------










08-154700-00 STD



2.50		P PS
2.00		P
3.00		CR P






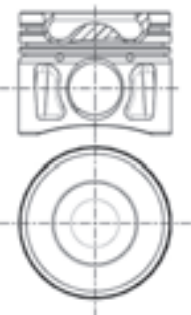



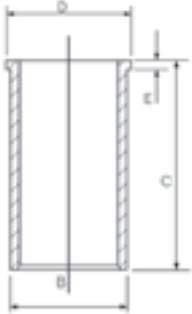



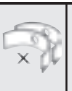
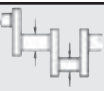
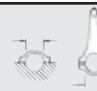






BE/PL	4	49.984/50.000	53.695/53.708	21.950	1.843	0.020/0.064	BS	4255CP	71-4279/4 STD 0.30
MB/HL 1-5	5	59.981/60.000	63.731/63.750	20.290	1.845	0.040/0.100	AL-LF	66726RA	H1057/5 STD 0.30 0.50
TW/A	4	67.050/67.300	83.050/83.300		1.880		AL-LF	4141AF	A188/4 STD







...Continued

1019	 86.00	Diesel
		
EV150 [42]	JJ283 [40] =PA349 22.00x16.00x2.000mm 	NA5191  42.00x62.00x7.00mm, PTFE NA5192  90.00x110.00x7.00mm, PTFE
[40] Oil Pan Material: Steel	[40] Matériel pour carter d'huile: acier	[40] Material cárter: Acero
[42] Supplementary Article/Supplementary Info: with gaskets/seals	[42] Article complémentaire / Info complémentaire: avec joints	[42] Artículo complementario/Información complementaria: con juntas
		[42] Materiale coppa olio: Acciaio
		[42] Articolo complementare/Info integrativa: con guarnizioni

1020	 86.00	Diesel				
P22DTE (4HU) Euro 4	4 Cyl.	17.5:1	2198cc	88kW (120)PS	TD24470	273
P22DTE (4HU) Euro 4	4 Cyl.	17.5:1	2198cc	88kW (120)PS	TD24538	273
BOXER	04/06 →	JUMPER	04/06 →			

			
87-427700-10 87-427707-10	STD 0.50mm	08-427700-00 08-427707-00	STD 0.50mm
A 43.42 B- 15.85 BØ 46.90 D 69.82  30x67		2.00  CK P 2.00  P 2.00  NT [26]	14-021120-00 D B 89.00 C 156.00 D 90.90 E 5.00 
8648B105			
[26] Steel	[26] Acier	[26] Acciaio	[26] Acero

									
BE/PL	4	49.984/50.000	53.695/53.708	20.000	1.838	0.020/0.070	SP	71-3952	71-3952/4 STD 0.30
MB/HL 1-5	5	59.981/60.000	63.731/63.750	20.290	1.845	0.040/0.100	AL-LF	66726RA	H1057/5 STD 0.30 0.50
TW/A	4	67.050/67.300	83.050/83.300		2.330		BS	66721BF	A214/4 STD 0.10
SE/PB	1	29.995/30.000	33.000/33.025	24.050			BS-LF	55-3984	55-3984 SEMI
CB/NWB	4	27.982/28.000	31.200/31.218	18.150	1.594		AL-LF	03-3981	N151/6 STD
CB/NWB	8	27.982/28.000	31.200/31.218	18.150	1.594		AL-LF	03-3982	

		
EA5970 [42]	HC5004 	NA5031  50.00x86.50x13.70mm, PTFE NA5030  106.00x196.00x15.20mm, FPM
[42] Supplementary Article/Supplementary Info: with gaskets/seals	[42] Article complémentaire / Info complémentaire: avec joints	[42] Artículo complementario/Información complementaria: con juntas
		[42] Articolo complementare/Info integrativa: con guarnizioni

CITROEN/PEUGEOT

1021


86.00
Diesel


P22DTE (4HV) Euro 4	4 Cyl.	17.5:1	2198cc	74kW (101)PS	TD24469	274
P22DTE (4HV) Euro 4	4 Cyl.	17.5:1	2198cc	74kW (101)PS	TD24537	274

BOXER	04/06→	JUMPER	04/06→
--------------	--------	---------------	--------

87-427700-30 STD	08-427700-00 STD 08-427707-00 0.50mm	14-021120-00 D B 89.00 C 156.00 D 90.90 E 5.00	
A 43.42 B- 15.85 BØ 46.90 D 69.82 30x67	2.00 CK P 2.00 P 2.00 NT [26]		
RT TP			
[26] Steel	[26] Acier	[26] Acciaio	[26] Acero

BE/PL	4	49.984/50.000	53.695/53.708	20.000	1.838	0.020/0.070	SP	71-3952	71-3952/4 STD 0.30 [44]
MB/HL 1-5	5	59.981/60.000	63.731/63.750	20.290	1.845	0.040/0.100	AL-LF	66726RA	H1057/5 STD 0.30 0.50
TW/A	4	67.050/67.300	83.050/83.300		2.330		BS	66721BF	A214/4 STD 0.10
SE/PB	1	29.995/30.000	33.000/33.025	24.050			BS-LF	55-3984	55-3984 SEMI
CB/NWB	4	27.982/28.000	31.200/31.218	18.150	1.594		AL-LF	03-3981	N151/6 STD
CB/NWB	8	27.982/28.000	31.200/31.218	18.150	1.594		AL-LF	03-3982	

EA5970 [42]	HC5004	NA5030 106.00x196.00x15.20mm, FPM

[42] Supplementary Article/Supplementary Info: with gaskets/seals [42] Article complémentaire / Info complémentaire: avec joints [42] Artículo complementario/Información complementaria: con juntas [42] Articolo complementare/Info integrativa: con guarnizioni

1022


86.00
Petrol


EW12J4 (3FY)	4 Cyl.	10.8:1	2230cc	120kW (163)PS	TD25089	276
EW12J4 (3FY)	4 Cyl.	10.8:1	2230cc	120kW (163)PS	TD20025	275
EW12J4 (3FZ)	4 Cyl.	10.8:1	2230cc	116kW (158)PS	TD16485	275
EW12J4 (3FZ)	4 Cyl.	10.8:1	2230cc	118kW (160)PS	TD16129	275

406	07/00→12/04	407	05/04→	607	02/00→
807	06/02→	C8	07/02→		

EG9750	PB907 14.00x21.00x2.000mm	NA5256 40.00x55.00x6.50mm, FPM

1023

86.40

Petrol



220 A2.000

4 Cyl.

1581cc

59kW (80)PS

TD6587

278

JUMPY

10/95→

87-783700-00 STD 87-783706-00 0.40mm 87-783708-00 0.60mm A 33.30 B- 2.30 D 72.80 22x63	 	08-783700-00 STD 08-783706-00 0.40mm 08-783708-00 0.60mm 08-783711-00 1.00mm 1.50 CR P 1.75 P 3.00 CR [26]	

[26] Steel

[26] Acier

[26] Acciaio

[26] Accero

BE/PL	4	45.508/45.528	48.629/48.646	19.200	1.547	0.020/0.069	AL-LF	1645RA	01-4127/4 STD 0.25 0.50
MB/HL 1,2,4,5	4	50.780/50.800	54.507/54.520	20.250	1.849	0.020/0.067	AL-LF	1646RA	H1075/5 STD 0.25 0.50
MB/HL 3	1	50.780/50.800	54.507/54.520	22.750	1.849	0.020/0.067	AL-LF	1647RA	
TW/A	2	56.610/56.864	69.596/69.850		2.362		AL-LF	60987AFA	A198/2 STD .005
SE/PB	1	21.539/21.641	23.939/23.972	25.100			BS	62039Y	55-4288 SEMI

ET400	JJ453	JJ453

1024

86.40

Petrol



1580 SPI

4 Cyl.

9.2:1

1581cc

58kW (79)PS

TD8484

279

1580 SPI

4 Cyl.

9.2:1

1581cc

59kW (80)PS

TD12808

279

JUMPY





10/95→

BE/PL	4	45.508/45.528	48.629/48.646	19.200	1.547	0.020/0.069	AL-LF	1645RA	01-4127/4 STD 0.25 0.50
MB/HL 1,2,4,5	4	50.780/50.800	54.507/54.520	20.250	1.849	0.020/0.067	AL-LF	1646RA	H1075/5 STD 0.25 0.50
MB/HL 3	1	50.780/50.800	54.507/54.520	22.750	1.849	0.020/0.067	AL-LF	1647RA	
TW/A	2	56.610/56.864	69.596/69.850		2.362		AL-LF	60987AFA	A198/2 STD .005
SE/PB	1	21.539/21.641	23.939/23.972	25.100			BS	62039Y	55-4288 SEMI

CITROEN/PEUGEOT






...Continued

1024 86.40 Petrol

		
ET400	JJ453  JJ453	






1025 87.00 Petrol

ES9A (XFU)	V6 Cyl.	10.9:1	2946cc	155kW (211)PS	TD21314	280
ES9A (XFV)	V6 Cyl.	10.9:1	2946cc	152kW (207)PS	TD18962	281
C5	09/04 →	C6	09/05 →			

		
		NA5260  38.00x50.00x6.00mm, FPM NF867  98.00x120.00x7.00mm, FPM/ACM






1026 87.00 Petrol

ES9A (XFV)	V6 Cyl.	10.9:1	2946cc	155kW (211)PS	TD18841	281
407	05/04 →	607	03/04 →			

		
	PB852 16.00x24.00x1.500mm	NA5260  38.00x50.00x6.00mm, FPM NF867  98.00x120.00x7.00mm, FPM/ACM

1027 87.00 Petrol








ES9A (XFZ)	V6 Cyl.	10.9:1	2946cc	152kW (207)PS	TD25090	282
------------	---------	--------	--------	---------------	---------	-----

		
		NA5177  42.00x56.00x7.00mm, FPM NF867  98.00x120.00x7.00mm, FPM/ACM

1028 87.00 Petrol







ES9J4 (XFZ)	V6 Cyl.	10.5:1	2946cc	152kW (207)PS	TD5487	283
ES9J4 (XFZ)	V6 Cyl.	10.5:1	2946cc	152kW (207)PS	TD9406	283

406	10/96 → 12/04	605	04/97 → 09/99	XANTIA	01/97 → 04/03
XM	04/97 → 10/00				





			
	08-101400-00 STD 1.50  CK P 1.50  P 3.00  P		

...Continued

1028  **87.00** **Petrol** 

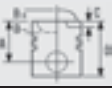






		
 EG9710	→PB852 16.00x24.00x1.500mm	NA5177  42.00x56.00x7.00mm, FPM NF867  98.00x120.00x7.00mm, FPM/ACM






1029  **87.00** **Petrol** 

ES9J4S (XFW)	V6 Cyl.	10.9:1	2946cc	150kW (204)PS	TD26409	284
						
		NA5260  38.00x50.00x6.00mm, FPM				

1030  **87.00** **Petrol** 




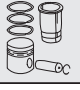




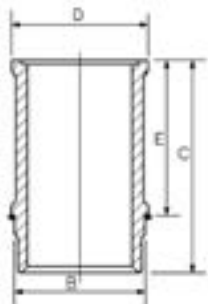
ES9J4S (XFX)	V6 Cyl.	10.9:1	2946cc	152kW (207)PS	TD13908	285
ES9J4S (XFX)	V6 Cyl.	10.9:1	2946cc	152kW (207)PS	TD16164	285
406	03/00 → 12/04	607	02/00 →	807	06/02 →	
C5	03/01 →	C6	09/05 →	C8	07/02 →	

			
	08-101400-00 STD 1.50  CK P 1.50  P 3.00  P		

		
	→PB852 16.00x24.00x1.500mm	NA5177  42.00x56.00x7.00mm, FPM NF867  98.00x120.00x7.00mm, FPM/ACM

1031  **88.00** **Diesel** 

XD4x88	4 Cyl.	21.8:1	1948cc	40kW (54)PS	TD2807	286
504	03/73 → 12/89					

			
	08-313800-10 STD 2.00  CR P 2.00  P 2.00  P 4.50  CR P	14-600420-00 WH [31] B 96.00 C 173.00 D 106.30 E 129.00 	

[31] Use also: HT022

[31] A utiliser aussi: HT022

[31] Usare anche HT022

[31] Utilizar también: HT022

CITROEN/PEUGEOT

...Continued

1031



88.00

Diesel

BE/PL	4	49.984/50.000	53.695/53.708	29.000	1.822	0.051/0.105	AL-LF	2870RA	01-4135/4 STD 0.30 0.50 0.80 1.00
MB/HL 1,3,5	3	54.994/55.009	58.731/58.750	30.000	1.835	0.052/0.111	AL-LF	2871RAA	H1029/5 STD 0.30 0.50 0.80
MB/HL 2,4	2	54.994/55.009	58.731/58.750	22.000	1.835	0.052/0.111	AL-LF	2873RAA	
TW/A	4	61.976/62.204	79.730/79.784		2.336		BS	2873BF	A181/4 STD 0.10 0.15 0.20
SE/PB	1	27.994/28.000	30.950/30.975	29.700			AL-LF	2874Y	05-4136 SEMI [48]



EF580

NF870 42.00x66.00x6.00mm, FPM/ACM

1032



88.00

Diesel



XD 88 4 Cyl. 21:1 1948cc **44kW (60)PS** **TD23802**

	<p>08-313800-10 STD</p> <p>2.00 CR P</p> <p>2.00 P</p> <p>2.00 P</p> <p>4.50 CR P</p>	<p>14-600420-00 WH [31]</p> <p>B 96.00 C 173.00 D 106.30 E 129.00</p>	

[31] Use also: HT022

[31] A utiliser aussi: HT022

[31] Usare anche HT022

[31] Utilizar también: HT022

BE/PL	4	49.984/50.000	53.695/53.708	29.000	1.822	0.051/0.105	AL-LF	2870RA	01-4135/4 STD 0.30 0.50 0.80 1.00
MB/HL 1,3,5	3	54.994/55.009	58.731/58.750	30.000	1.835	0.052/0.111	AL-LF	2871RAA	H1029/5 STD 0.30 0.50 0.80
MB/HL 2,4	2	54.994/55.009	58.731/58.750	22.000	1.835	0.052/0.111	AL-LF	2873RAA	
TW/A	4	61.976/62.204	79.730/79.784		2.336		BS	2873BF	A181/4 STD 0.10 0.15 0.20
SE/PB	1	27.994/28.000	30.950/30.975	29.700			AL-LF	2874Y	05-4136 SEMI [48]

1033



88.00

Diesel



XDP 4.88

4 Cyl.

21.8:1

1948cc

36-46kW (49-63)PS

TD22477

287

	<p>08-313800-10 STD</p> <p>2.00 CR P</p> <p>2.00 P</p> <p>2.00 P</p> <p>4.50 CR P</p>	<p>14-600420-00 WH [31]</p> <p>B 96.00 C 173.00 D 106.30 E 129.00</p> <p style="text-align: center;"></p>	

[31] Use also: HT022

[31] A utiliser aussi: HT022

[31] Usare anche HT022

[31] Utilizar también: HT022

BE/PL	4	49.984/50.000	53.695/53.708	29.000	1.822	0.051/0.105	AL-LF	2870RA	01-4135/4 STD 0.30 0.50 0.80 1.00
MB/HL 1,3,5	3	54.994/55.009	58.731/58.750	30.000	1.835	0.052/0.111	AL-LF	2871RAA	H1029/5 STD 0.30 0.50 0.80
MB/HL 2,4	2	54.994/55.009	58.731/58.750	22.000	1.835	0.052/0.111	AL-LF	2873RAA	
TW/A	4	61.976/62.204	79.730/79.784		2.336		BS	2873BF	A181/4 STD 0.10 0.15 0.20
SE/PB	1	27.994/28.000	30.950/30.975	29.700			AL-LF	2874Y	05-4136 SEMI [48]

EF580	HC346	NF780 45.00x60.00x7.00mm, ACM NF387 42.00x60.00x10.00mm, NBR
	HC346	

1034



88.00

Diesel



XDP88	4 Cyl.	21.8:1	1948cc	40kW (54)PS	TD8499	288
J7	08/68 → 07/78					

	<p>08-313800-10 STD</p> <p>2.00 CR P</p> <p>2.00 P</p> <p>2.00 P</p> <p>4.50 CR P</p>	<p>14-600420-00 WH [31]</p> <p>B 96.00 C 173.00 D 106.30 E 129.00</p>	

[31] Use also: HT022

[31] A utiliser aussi: HT022

[31] Usare anche HT022

[31] Utilizar también: HT022

BE/PL	4	49.984/50.000	53.695/53.708	29.000	1.822	0.051/0.105	AL-LF	2870RA	01-4135/4 STD 0.30 0.50 0.80 1.00
MB/HL 1,3,5	3	54.994/55.009	58.731/58.750	30.000	1.835	0.052/0.111	AL-LF	2871RAA	H1029/5 STD 0.30 0.50 0.80
MB/HL 2,4	2	54.994/55.009	58.731/58.750	22.000	1.835	0.052/0.111	AL-LF	2873RAA	
TW/A	4	61.976/62.204	79.730/79.784		2.336		BS	2873BF	A181/4 STD 0.10 0.15 0.20
SE/PB	1	27.994/28.000	30.950/30.975	29.700			AL-LF	2874Y	05-4136 SEMI [48]

<p>EF580</p>	<p>HC346 </p> <p>=KJ647 18.30x24.00x2.000mm</p> <p>=PA349 22.00x16.00x2.000mm</p> <p>HC346</p>	<p>NF387 42.00x60.00x10.00mm, NBR</p> <p>NF780 45.00x60.00x7.00mm, ACM</p> <p>09/85 →</p>

1035


88.00
Petrol


XN1	4 Cyl.	8.4:1	1971cc	57kW (77)PS	TD2833	289
504	04/71→07/86	505	09/80→09/85			

<p>[38]</p> <p>A 38.25 B+ 0.65 D 71.85 23x74</p>	<p>08-316900-00 STD 08-316907-00 0.50mm</p> <p>1.50 CR P 2.00 P 4.00 CR [26]</p>	<p>14-636500-00 WH B 93.00 C 135.70 D 101.90 E 89.99</p>	<p>89-316900-00</p>
<p>[38]</p> <p>A 37.90 B+ 1.35 D 72.20 23x74</p>	<p>08-316900-00 STD 08-316907-00 0.50mm</p> <p>1.50 CR P 2.00 P 4.00 CR [26]</p>	<p>14-636500-00 WH B 93.00 C 135.70 D 101.90 E 89.99</p>	<p>89-316900-10</p>

[26] Steel

[26] Acier

[26] Acciaio

[26] Acero

[38] Piston available in Kit Set only

[38] Chemise disponible en kit seulement





[38] I pistoni sono disponibili solo in kit motore



[38] Pistón disponible en conjuntos solamente

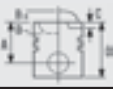




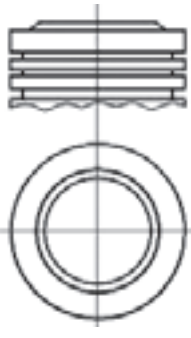



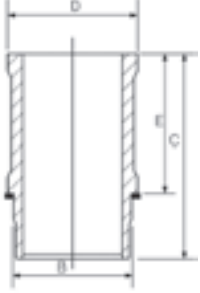

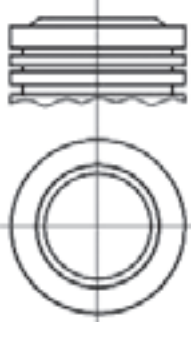



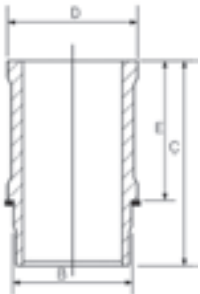
BE/PL	4	49.975/49.991	53.655/53.674	23.400	1.818	0.030/0.080	AL-LF	2865RA	01-4558/4 STD 0.30 0.50 0.80 1.00	
MB/HL 1	1	59.401/59.416	63.227/63.246	29.500	1.888	0.040/0.080	AL-LF	2866RA	H1240/5 STD 0.30 0.50 0.80	
MB/HL 2	1	58.548/58.573	62.384/62.403	21.500	1.888	0.040/0.080	AL-LF	61902RA		
MB/HL 3	1	57.174/57.189	61.000/61.019	29.500	1.888	0.040/0.080	AL-LF	61903RA		
MB/HL 4	1	56.140/56.165	59.976/59.995	21.500	1.888	0.040/0.080	AL-LF	61903RAA		
MB/HL 5	1	54.905/54.920	58.731/58.750	29.350	1.888	0.040/0.080	AL-LF	61904RA		
→12/80										
MB/HL 5	1	54.905/54.920	58.731/58.750	29.350	1.900	0.040/0.080	AL-LF	66696RA	H1241/5 STD 0.30 0.50 0.80 1.00	
MB/HL 4	1	56.140/56.165	59.976/59.995	21.500	1.900	0.040/0.080	AL-LF	66697RA		
MB/HL 3	1	57.174/57.189	61.000/61.019	29.500	1.900	0.040/0.080	AL-LF	66698RA		
MB/HL 2	1	58.548/58.573	62.384/62.403	21.500	1.900	0.040/0.080	AL-LF	66699RA		
MB/HL 1	1	59.401/59.416	63.227/63.246	29.500	1.900	0.040/0.080	AL-LF	66699RAA		
01/81→										
TW/A	4	61.400/61.650	72.550/72.800		2.330		AL-LF	61904BF	A199/4 STD 0.10 0.15 0.20	




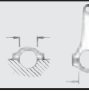






CITROEN/PEUGEOT

...Continued

1035	 88.00	Petrol
		
	⇒PA349 22.00x16.00x2.000mm	NF387 42.00x60.00x10.00mm, NBR




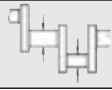
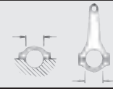






1036	 88.00	Petrol				
XN1 (106)	4 Cyl.	8.35:1	1971cc	57kW (77)PS	TD2830	290
XN1P	4 Cyl.	8.4:1	1971cc	57kW (77)PS	TD8502	291
504	03/71→06/86	505	11/80→12/85	J5	09/81→08/90	
J9	03/80→06/87					




				
[38] A 38.25 B+ 0.65 D 71.85  23x74		08-316900-00 STD 08-316907-00 0.50mm 1.50  CR P 2.00  P 4.00  CR [26]	14-636500-00 WH B 93.00 C 135.70 D 101.90 E 89.99 	89-316900-00
[38] A 37.90 B+ 1.35 D 72.20  23x74		08-316900-00 STD 08-316907-00 0.50mm 1.50  CR P 2.00  P 4.00  CR [26]	14-636500-00 WH B 93.00 C 135.70 D 101.90 E 89.99 	89-316900-10
[26] Steel	[26] Acier	[26] Acciaio	[26] Acero	
[38] Piston available in Kit Set only	[38] Chemise disponible en kit seulement	[38] I pistoni sono disponibili solo in kit motore	[38] Pistón disponible en conjuntos solamente	


									
BE/PL	4	49.975/49.991	53.655/53.674	23.400	1.818	0.030/0.080	AL-LF	2865RA	01-4558/4 STD 0.30 0.50 0.80 1.00
MB/HL 1	1	59.401/59.416	63.227/63.246	29.500	1.888	0.040/0.080	AL-LF	2866RA	H1240/5 STD 0.30 0.50 0.80
MB/HL 2	1	58.548/58.573	62.384/62.403	21.500	1.888	0.040/0.080	AL-LF	61902RA	
MB/HL 3	1	57.174/57.189	61.000/61.019	29.500	1.888	0.040/0.080	AL-LF	61903RA	
MB/HL 4	1	56.140/56.165	59.976/59.995	21.500	1.888	0.040/0.080	AL-LF	61903RAA	
MB/HL 5	1	54.905/54.920	58.731/58.750	29.350	1.888	0.040/0.080	AL-LF	61904RA	


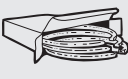





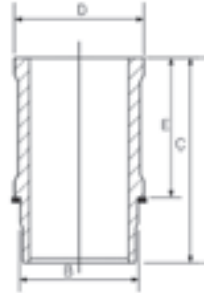
→10/81

...Continued





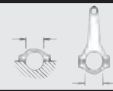






1036		 88.00	Petrol							
										
MB/HL 5	1	54.905/54.920	58.731/58.750	29.350	1.900	0.040/0.080	AL-LF	66696RA	H1241/5 STD 0.30 0.50 0.80 1.00	
MB/HL 4	1	56.140/56.165	59.976/59.995	21.500	1.900	0.040/0.080	AL-LF	66697RA		
MB/HL 3	1	57.174/57.189	61.000/61.019	29.500	1.900	0.040/0.080	AL-LF	66698RA		
MB/HL 2	1	58.548/58.573	62.384/62.403	21.500	1.900	0.040/0.080	AL-LF	66699RA		
MB/HL 1	1	59.401/59.416	63.227/63.246	29.500	1.900	0.040/0.080	AL-LF	66699RAA		
11/81 →										
TW/A	4	61.400/61.650	72.550/72.800		2.330		AL-LF	61904BF	A199/4 STD 0.10 0.15 0.20	

		
	PA349 22.00x16.00x2.000mm	NF387 42.00x60.00x10.00mm, NBR

1037		 88.00	Petrol							
XN1A (106E)		4 Cyl.	8.8:1	1971cc	57kW (77)PS					TD4845 290
505		09/85 → 09/95								






			
	08-316900-00 STD 08-316907-00 0.50mm 1.50  CR P 2.00  P 4.00  CR [26]	14-636500-00 WH B 93.00 C 135.70 D 101.90 E 89.99 	



[26] Steel [26] Acier [26] Acciaio [26] Acero








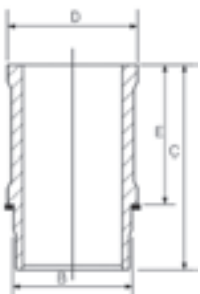
1036		 88.00	Petrol							
										
BE/PL	4	49.975/49.991	53.655/53.674	23.400	1.818	0.030/0.080	AL-LF	2865RA	01-4558/4 STD 0.30 0.50 0.80 1.00	
MB/HL 5	1	54.905/54.920	58.731/58.750	29.350	1.900	0.040/0.080	AL-LF	66696RA		
MB/HL 4	1	56.140/56.165	59.976/59.995	21.500	1.900	0.040/0.080	AL-LF	66697RA	H1241/5 STD 0.30 0.50 0.80 1.00	
MB/HL 3	1	57.174/57.189	61.000/61.019	29.500	1.900	0.040/0.080	AL-LF	66698RA		
MB/HL 2	1	58.548/58.573	62.384/62.403	21.500	1.900	0.040/0.080	AL-LF	66699RA		
MB/HL 1	1	59.401/59.416	63.227/63.246	29.500	1.900	0.040/0.080	AL-LF	66699RAA		
TW/A	4	61.400/61.650	72.550/72.800		2.330		AL-LF	61904BF		
A199/4 STD 0.10 0.15 0.20										

CITROEN/PEUGEOT



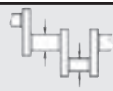

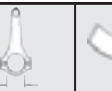






...Continued




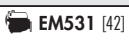

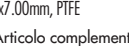
1037	 88.00	Petrol
		
	⇒ PA349 22.00x16.00x2.000mm	NF387  42.00x60.00x10.00mm, NBR

1038	 88.00	Petrol			
XN1T	4 Cyl.	8:1	1971cc	55-63kW (75-86)PS	TD22486
XN1TA	4 Cyl.	8:1	1971cc	62-72kW (84-98)PS	TD8490
J5	09/87→01/94				

			
	08-316900-00 STD 08-316907-00 0.50mm 1.50  CR P 2.00  P 4.00  CR [26]	14-636500-00 WH B 93.00 C 135.70 D 101.90 E 89.99 	

[26] Steel [26] Acier [26] Acciaio [26] Acero

										
BE/PL	4	49.975/49.991	53.655/53.674	23.400	1.818	0.030/0.080	AL-LF	2865RA	01-4558/4 STD 0.30 0.50 0.80 1.00	
MB/HL 5	1	54.905/54.920	58.731/58.750	29.350	1.900	0.040/0.080	AL-LF	66696RA	H1241/5 STD 0.30 0.50 0.80 1.00	
MB/HL 4	1	56.140/56.165	59.976/59.995	21.500	1.900	0.040/0.080	AL-LF	66697RA		
MB/HL 3	1	57.174/57.189	61.000/61.019	29.500	1.900	0.040/0.080	AL-LF	66698RA		
MB/HL 2	1	58.548/58.573	62.384/62.403	21.500	1.900	0.040/0.080	AL-LF	66699RA		
MB/HL 1	1	59.401/59.416	63.227/63.246	29.500	1.900	0.040/0.080	AL-LF	66699RAA		
TW/A	4	61.400/61.650	72.550/72.800		2.330		AL-LF	61904BF	A199/4 STD 0.10 0.15 0.20	

		
 EM531 [42]		NA5191  42.00x62.00x7.00mm, PTFE NA5192  90.00x110.00x7.00mm, PTFE

[42] Supplementary Article/Supplementary Info:
with gaskets/seals

[42] Article complémentaire /
Info complémentaire: avec joints

[42] Artículo complementario/Información
complementaria: con juntas

[42] Articolo complementare/Info
integrativa: con guarnizioni

1039


88.00
Petrol


XN1T (170)	4 Cyl.	8:1	1971cc	57kW (77)PS	TD2837	292
XN1T (170C)	4 Cyl.	8:1	1971cc	57kW (77)PS	TD590	292
C25	01/87→03/94	J5		01/83→09/90		

<p>[38]</p> <p>A 38.25 B+ 0.65 D 71.85 23x74</p>	<p>08-316900-00 STD 08-316907-00 0.50mm</p> <p>1.50 CR P 2.00 P 4.00 CR [26]</p>	<p>14-636500-00 WH B 93.00 C 135.70 D 101.90 E 89.99</p>	<p>89-316900-00</p>
<p>[38]</p> <p>A 37.90 B+ 1.35 D 72.20 23x74</p>	<p>08-316900-00 STD 08-316907-00 0.50mm</p> <p>1.50 CR P 2.00 P 4.00 CR [26]</p>	<p>14-636500-00 WH B 93.00 C 135.70 D 101.90 E 89.99</p>	<p>89-316900-10</p>

[26] Steel

[26] Acier

[26] Acciaio

[26] Acero

[38] Piston available in Kit Set only

[38] Chemise disponible en kit seulement

[38] I pistoni sono disponibili solo in kit motore

[38] Pistón disponible en conjuntos solamente

BE/PL	4	49.975/49.991	53.655/53.674	23.400	1.818	0.030/0.080	AL-LF	2865RA	01-4558/4 STD 0.30 0.50 0.80 1.00	
MB/HL 5	1	54.905/54.920	58.731/58.750	29.350	1.900	0.040/0.080	AL-LF	66696RA	H1241/5 STD 0.30 0.50 0.80 1.00	
MB/HL 4	1	56.140/56.165	59.976/59.995	21.500	1.900	0.040/0.080	AL-LF	66697RA		
MB/HL 3	1	57.174/57.189	61.000/61.019	29.500	1.900	0.040/0.080	AL-LF	66698RA		
MB/HL 2	1	58.548/58.573	62.384/62.403	21.500	1.900	0.040/0.080	AL-LF	66699RA		
MB/HL 1	1	59.401/59.416	63.227/63.246	29.500	1.900	0.040/0.080	AL-LF	66699RAA		
TW/A	4	61.400/61.650	72.550/72.800		2.330		AL-LF	61904BF	A199/4 STD 0.10 0.15 0.20	

--	--	--

EM531 [42]

NA5191 42.00x62.00x7.00mm, PTFE

NA5192 90.00x110.00x7.00mm, PTFE

 [42] Supplementary Article/Supplementary Info:
with gaskets/seals

 [42] Article complémentaire /
Info complémentaire: avec joints

 [42] Artículo complementario/Información
complementaria: con juntas

 [42] Articolo complementare/Info
integrativa: con guarnizioni

CITROEN/PEUGEOT

1040









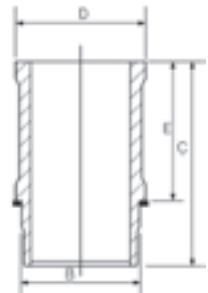

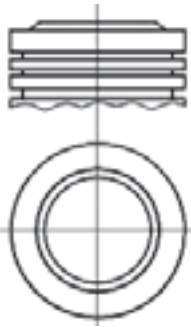



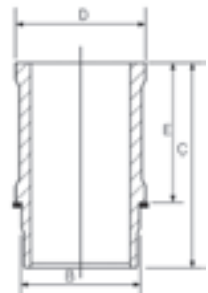
88.00

Petrol













XN1T (170A)	4 Cyl.	8.1:1	1971cc	57kW (77)PS	TD5164	292
XN1T (170B)	4 Cyl.	8.1:1	1971cc	57kW (77)PS	TD2836	292
XN1T (170B)	4 Cyl.	8.1:1	1971cc	57kW (77)PS	TD589	292

C25 09/81→03/94 **J5** 09/81→09/90





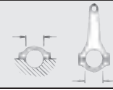






 <p>[38]</p> <p>A 38.25 B+ 0.65 D 71.85 23x74</p>	 <p>08-316900-00 STD 08-316907-00 0.50mm</p> <p>1.50  CR P 2.00  P 4.00  CR [26]</p>	 <p>14-636500-00 WH B 93.00 C 135.70 D 101.90 E 89.99</p> 	 <p>89-316900-00</p>
 <p>[38]</p> <p>A 37.90 B+ 1.35 D 72.20 23x74</p>	<p>08-316900-00 STD 08-316907-00 0.50mm</p> <p>1.50  CR P 2.00  P 4.00  CR [26]</p>	<p>14-636500-00 WH B 93.00 C 135.70 D 101.90 E 89.99</p> 	<p>89-316900-10</p>




[26] Steel [26] Acier [26] Acciaio [26] Acero
 [38] Piston available in Kit Set only [38] Chemise disponible en kit seulement [38] I pistoni sono disponibili solo in kit motore [38] Pistón disponible en conjuntos solamente


									
BE/PL	4	49.975/49.991	53.655/53.674	23.400	1.818	0.030/0.080	AL-LF	2865RA	01-4558/4 STD 0.30 0.50 0.80 1.00
MB/HL 1	1	59.401/59.416	63.227/63.246	29.500	1.888	0.040/0.080	AL-LF	2866RA	H1240/5 STD 0.30 0.50 0.80
MB/HL 2	1	58.548/58.573	62.384/62.403	21.500	1.888	0.040/0.080	AL-LF	61902RA	
MB/HL 3	1	57.174/57.189	61.000/61.019	29.500	1.888	0.040/0.080	AL-LF	61903RA	
MB/HL 4	1	56.140/56.165	59.976/59.995	21.500	1.888	0.040/0.080	AL-LF	61903RAA	
MB/HL 5	1	54.905/54.920	58.731/58.750	29.350	1.888	0.040/0.080	AL-LF	61904RA	

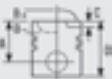






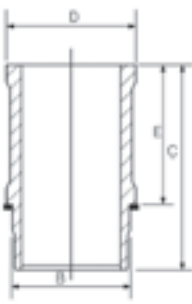
→10/81

...Continued



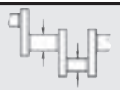
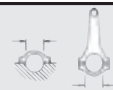






1040	 88.00	Petrol								
										
MB/HL 5	1	54.905/54.920	58.731/58.750	29.350	1.900	0.040/0.080	AL-LF	66696RA	H1241/5 STD 0.30 0.50 0.80 1.00	
MB/HL 4	1	56.140/56.165	59.976/59.995	21.500	1.900	0.040/0.080	AL-LF	66697RA		
MB/HL 3	1	57.174/57.189	61.000/61.019	29.500	1.900	0.040/0.080	AL-LF	66698RA		
MB/HL 2	1	58.548/58.573	62.384/62.403	21.500	1.900	0.040/0.080	AL-LF	66699RA		
MB/HL 1	1	59.401/59.416	63.227/63.246	29.500	1.900	0.040/0.080	AL-LF	66699RAA		
11/81 →										
TW/A	4	61.400/61.650	72.550/72.800		2.330		AL-LF	61904BF	A199/4 STD 0.10 0.15 0.20	

		
EM531 [42]		NA5191 42.00x62.00x7.00mm, PTFE NA5192 90.00x110.00x7.00mm, PTFE
[42] Supplementary Article/Supplementary Info: with gaskets/seals	[42] Article complémentaire / Info complémentaire: avec joints	[42] Artículo complementario/Información complementaria: con juntas [42] Articolo complementare/Info integrativa: con guarnizioni

1041	 88.00	Petrol								
XNITA (170C)	4 Cyl.	8:1	1971cc	62kW (84)PS				TD6804		

			
	08-316900-00 STD 08-316907-00 0.50mm	14-636500-00 WH B 93.00 C 135.70 D 101.90 E 89.99	
	1.50  CR P 2.00  P 4.00  CR [26]		

[26] Steel [26] Acier [26] Acciaio [26] Acero

									
BE/PL	4	49.975/49.991	53.655/53.674	23.400	1.818	0.030/0.080	AL-LF	2865RA	01-4558/4 STD 0.30 0.50 0.80 1.00 H1240/5 STD 0.30 0.50 0.80
MB/HL 1	1	59.401/59.416	63.227/63.246	29.500	1.888	0.040/0.080	AL-LF	2866RA	
MB/HL 2	1	58.548/58.573	62.384/62.403	21.500	1.888	0.040/0.080	AL-LF	61902RA	
MB/HL 3	1	57.174/57.189	61.000/61.019	29.500	1.888	0.040/0.080	AL-LF	61903RA	
MB/HL 4	1	56.140/56.165	59.976/59.995	21.500	1.888	0.040/0.080	AL-LF	61903RAA	
MB/HL 5	1	54.905/54.920	58.731/58.750	29.350	1.888	0.040/0.080	AL-LF	61904RA	

→10/81

CITROEN/PEUGEOT

...Continued

1041



88.00

Petrol

MB/HL 5	1	54.905/54.920	58.731/58.750	29.350	1.900	0.040/0.080	AL-LF	66696RA	H1241/5 STD 0.30 0.50 0.80 1.00	
MB/HL 4	1	56.140/56.165	59.976/59.995	21.500	1.900	0.040/0.080	AL-LF	66697RA		
MB/HL 3	1	57.174/57.189	61.000/61.019	29.500	1.900	0.040/0.080	AL-LF	66698RA		
MB/HL 2	1	58.548/58.573	62.384/62.403	21.500	1.900	0.040/0.080	AL-LF	66699RA		
MB/HL 1	1	59.401/59.416	63.227/63.246	29.500	1.900	0.040/0.080	AL-LF	66699RAA		
11/81 →										
TW/A	4	61.400/61.650	72.550/72.800		2.330		AL-LF	61904BF	A199/4 STD 0.10 0.15 0.20	

EM531 [42]		NA5191 42.00x62.00x7.00mm, PTFE NA5192 90.00x110.00x7.00mm, PTFE
[42] Supplementary Article/Supplementary Info: with gaskets/seals	[42] Article complémentaire / Info complémentaire: avec joints	[42] Artículo complementario/Información complementaria: con juntas
		[42] Articolo complementare/Info integrativa: con guarnizioni

1042



88.00

Petrol



XN1TACP (170D)	4 Cyl.	8:1	1971cc	62kW (84)PS	TD5194	293
J5	09/90 → 02/94					

BE/PL	4	49.975/49.991	53.655/53.674	23.400	1.818	0.030/0.080	AL-LF	2865RA	01-4558/4 STD 0.30 0.50 0.80 1.00 H1241/5 0.30 0.50 0.80 1.00
MB/HL 5	1	54.905/54.920	58.731/58.750	29.350	1.900	0.040/0.080	AL-LF	66696RA	
MB/HL 4	1	56.140/56.165	59.976/59.995	21.500	1.900	0.040/0.080	AL-LF	66697RA	
MB/HL 3	1	57.174/57.189	61.000/61.019	29.500	1.900	0.040/0.080	AL-LF	66698RA	
MB/HL 2	1	58.548/58.573	62.384/62.403	21.500	1.900	0.040/0.080	AL-LF	66699RA	
MB/HL 1	1	59.401/59.416	63.227/63.246	29.500	1.900	0.040/0.080	AL-LF	66699RAA	
TW/A	4	61.400/61.650	72.550/72.800		2.330		AL-LF	61904BF	A199/4 STD 0.10 0.15 0.20
TW/A	4	75.500/75.750	89.000/89.100		3.140		BS	66716BF	A213/4 0.12

		NA5191 42.00x62.00x7.00mm, PTFE

1043



88.00

Petrol



XN2 (107)

4 Cyl.

1971cc

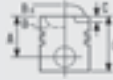
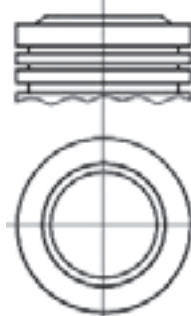


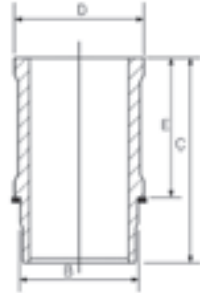

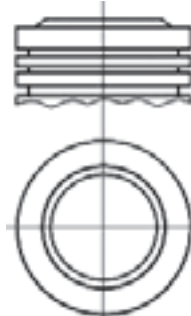
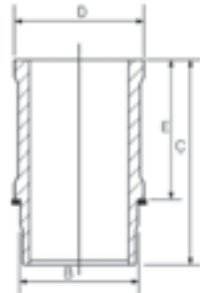
78kW (106)PS

TD2831

294

504

01/71→08/84

 <p>[38]</p> <p>A 38.25 B+ 0.65 D 71.85 23x74</p> 	 <p>08-316900-00 STD 08-316907-00 0.50mm</p> <p>1.50 CR P 2.00 P 4.00 CR [26]</p>	 <p>14-636500-00 WH B 93.00 C 135.70 D 101.90 E 89.99</p> 	 <p>89-316900-00</p>
<p>[38]</p> <p>A 37.90 B+ 1.35 D 72.20 23x74</p> 	<p>08-316900-00 STD 08-316907-00 0.50mm</p> <p>1.50 CR P 2.00 P 4.00 CR [26]</p>	<p>14-636500-00 WH B 93.00 C 135.70 D 101.90 E 89.99</p> 	<p>89-316900-10</p>

[26] Steel

[26] Acier

[26] Acciaio











[26] Acero

[38] Piston available in Kit Set only

[38] Chemise disponible en kit seulement

[38] I pistoni sono disponibili solo in kit motore

[38] Pistón disponible en conjuntos solamente

									
BE/PL	4	49.975/49.991	53.655/53.674	23.400	1.818	0.030/0.080	AL-LF	2865RA	01-4558/4 STD 0.30 0.50 0.80 1.00
MB/HL 1	1	59.401/59.416	63.227/63.246	29.500	1.888	0.040/0.080	AL-LF	2866RA	H1240/5 STD 0.30 0.50 0.80
MB/HL 2	1	58.548/58.573	62.384/62.403	21.500	1.888	0.040/0.080	AL-LF	61902RA	
MB/HL 3	1	57.174/57.189	61.000/61.019	29.500	1.888	0.040/0.080	AL-LF	61903RA	
MB/HL 4	1	56.140/56.165	59.976/59.995	21.500	1.888	0.040/0.080	AL-LF	61903RAA	
MB/HL 5	1	54.905/54.920	58.731/58.750	29.350	1.888	0.040/0.080	AL-LF	61904RA	

08/71→10/81

CITROEN/PEUGEOT

...Continued

1043



88.00

Petrol

MB/HL 5	MB/HL 4	MB/HL 3	MB/HL 2	MB/HL 1	TW/A
1	1	1	1	1	4
54.905/54.920	56.140/56.165	57.174/57.189	58.548/58.573	59.401/59.416	61.400/61.650
58.731/58.750	59.976/59.995	61.000/61.019	62.384/62.403	63.227/63.246	72.550/72.800
29.350	21.500	29.500	21.500	29.500	2.330
1.900	1.900	1.900	1.900	1.900	
0.040/0.080	0.040/0.080	0.040/0.080	0.040/0.080	0.040/0.080	
AL-LF	AL-LF	AL-LF	AL-LF	AL-LF	AL-LF
66696RA	66697RA	66698RA	66699RA	66699RAA	61904BF
11/81 →					
H1241/5 STD 0.30 0.50 0.80 1.00					
A199/4 STD 0.10 0.15 0.20					

PA349 22.00x16.00x2.000mm	NF387 42.00x60.00x10.00mm, NBR

1044



88.00

Petrol



829 (ZEJ)	4 Cyl.	9.2:1	1995cc	81kW (110)PS	TD2911	295
505	08/79 → 09/89					

87-334400-00 STD A 40.50 B+ 1.55 D 69.05 23x75	08-334400-00 STD 1.75 MO P 2.00 P 4.00 CR [26]	14-637160-00 WH B 93.60 C 140.50 D 104.00 E 93.08 	89-334400-00 87-334400-00 + 14-637160-00
[26] Steel	[26] Acier	[26] Acciaio	[26] Acero

JJ558 (Felt) PA349 22.00x16.00x2.000mm 	NF843 50.00x68.00x10.00mm, FPM/ACM NF844 90.00x110.00x11.00mm, FPM/ACM
JJ558	

1045	88.00	Petrol				
829 A5	4 Cyl.	9.2:1	1995cc	78kW (106)PS	TD4259	296
CX	06/79 → 12/92					

87-334400-00 STD	08-334400-00 STD	14-637160-00 WH B 93.60 C 140.50 D 104.00 E 93.08	89-334400-00 87-334400-00 + 14-637160-00
A 40.50 B+ 1.55 D 69.05 23x75	1.75 MO P 2.00 P 4.00 CR [26]		

[26] Steel [26] Acier [26] Acciaio [26] Acero

	PA349 22.00x16.00x2.000mm	NF843 50.00x68.00x10.00mm, FPM/ACM NF844 90.00x110.00x11.00mm, FPM/ACM

1046	88.00	Petrol				
851 (ZDJ)	4 Cyl.	9.8:1	2165cc	85kW (115)PS	TD2908	297
505	05/81 → 10/84					








	08-334400-00 STD	14-637160-00 WH B 93.60 C 140.50 D 104.00 E 93.08	
	1.75 MO P 2.00 P 4.00 CR [26]		



[26] Steel [26] Acier [26] Acciaio [26] Acero

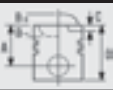

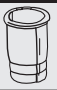
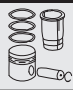

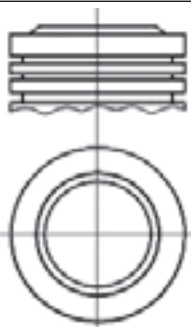

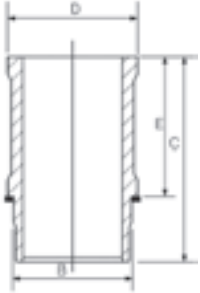
BE/PL	4	56.267/56.286	60.005/60.019	20.750	1.842	0.035/0.093	AL-LF	66645RA	01-4191/4 STD 0.25
MB/HL 1-5	5	62.861/62.880	66.668/66.687	23.250	1.884	0.030/0.093	AL-LF	66646RA	H1058/5 STD 0.25
TW/A	2	71.450	88.090		2.850		BS	66506BF	A208/2 STD











CITROEN/PEUGEOT







...Continued

1046	 88.00	Petrol
		
	JJ558 (Felt) =PA349 22.00x16.00x2.000mm  JJ558	NF843  50.00x68.00x10.00mm, FPM/ACM NF844  90.00x110.00x11.00mm, FPM/ACM

1047	 88.00	Petrol				
851B (ZDJL)	4 Cyl.	9.8:1	2165cc	90kW (122)PS	TD2909	298
851X (ZDJL)	4 Cyl.	9.8:1	2165cc	84kW (114)PS	TD2910	298
505	08/83 → 12/93					

			
87-334400-00 STD	08-334400-00 STD	14-637160-00 WH B 93.60 C 140.50 D 104.00 E 93.08	89-334400-00 87-334400-00 + 14-637160-00
A 40.50 B+ 1.55 D 69.05  23x75	 1.75 2.00 4.00  MO P P CR [26]		
[26] Steel	[26] Acier	[26] Acciaio	[26] Acero

									
BE/PL	4	56.267/56.286	60.005/60.019	20.750	1.842	0.035/0.093	AL-LF	66645RA	01-4191/4 STD 0.25
MB/HL 1-5	5	62.861/62.880	66.668/66.687	23.250	1.884	0.030/0.093	AL-LF	66646RA	H1058/5 STD 0.25
TW/A	2	71.450	88.090		2.850		BS	66506BF	A208/2 STD

		
	JJ558 (Felt) =PA349 22.00x16.00x2.000mm  JJ558	NF843  50.00x68.00x10.00mm, FPM/ACM NF844  90.00x110.00x11.00mm, FPM/ACM

1048


88.00
Petrol

J6T A500

4 Cyl.

9.8:1

2165cc

83/85kW (113/116)PS
TD663
299
CX

06/81 → 12/92

87-334400-00 STD A 40.50 B+ 1.55 D 69.05 23x75	08-334400-00 STD 1.75 MO P 2.00 P 4.00 CR [26]	14-637160-00 WH B 93.60 C 140.50 D 104.00 E 93.08 	89-334400-00 87-334400-00 + 14-637160-00

[26] Steel

[26] Acier

[26] Acciaio

[26] Acero

BE/PL	4	56.267/56.286	60.005/60.019	20.750	1.842	0.035/0.093	AL-LF	66635RA	01-4189/4 STD 0.25
MB/HL 1-5	5	62.873/62.892	66.668/66.687	23.500	1.884	0.020/0.071	AL-LF	66507RA	H1052/5 STD 0.25
TW/A	2	71.450	88.090		2.850		BS	66506BF	A208/2 STD

	⇒ PA349 22.00x16.00x2.000mm	NF843 50.00x68.00x10.00mm, FPM/ACM NF844 90.00x110.00x11.00mm, FPM/ACM

1049


88.00
Petrol

112 (ZM)

V6 Cyl.

2664cc

100kW (136)PS
TD2912
300
140 (ZMJ)

V6 Cyl.

2664cc

106kW (144)PS
TD2914
301
504

10/77 → 08/84

604

08/77 → 05/83

	08-316900-00 STD 08-316907-00 0.50mm 1.50 CR P 2.00 P 4.00 CR [26]		

[26] Steel

[26] Acier





[26] Acciaio

[26] Acero



BE/PL	6	59.971/59.990	63.704/63.723	17.720	1.846	0.022/0.085	EC	71-3733	71-3733/6 STD
MB/HL 1-4	4	70.043/70.062	74.000/74.019	23.470	1.967	0.020/0.067	AL-LF	66311RA	H1041/4 STD



CITROEN/PEUGEOT

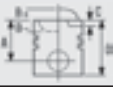




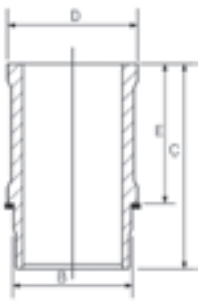



...Continued



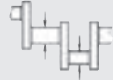







1049	 88.00	Petrol
		






⇒PA349
22.00x16.00x2.000mm



NF761  42.00x62.00x10.00mm, FPM/ACM
NF634  80.00x100.00x13.00mm, MVQ



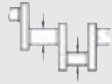
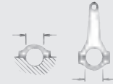






1050	 90.00	Diesel				
XD4x90	4 Cyl.	22:1	2112cc	48kW (65)PS	TD2808	302
504	02/71→07/86					




			
	08-314900-10 STD	14-604060-00 WH B 96.00 C 173.00 D 106.30 E 129.00	
	2.00  CR P		
	2.00  P		
	2.00  P		
	4.50  CR P		



									
BE/PL	4	49.984/50.000	53.695/53.708	29.000	1.822	0.051/0.105	AL-LF	2870RA	01-4135/4 STD 0.30 0.50 0.80 1.00
MB/HL 1,3,5	3	54.994/55.009	58.731/58.750	30.000	1.835	0.052/0.111	AL-LF	2871RAA	H1029/5 STD 0.30 0.50 0.80
MB/HL 2,4	2	54.994/55.009	58.731/58.750	22.000	1.835	0.052/0.111	AL-LF	2873RAA	
TW/A	4	61.976/62.204	79.730/79.784		2.336		BS	2873BF	A181/4 STD 0.10 0.15 0.20
SE/PB	1	27.994/28.000	30.950/30.975	29.700			AL-LF	2874Y	05-4136 SEMI [48]

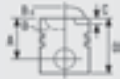

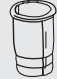

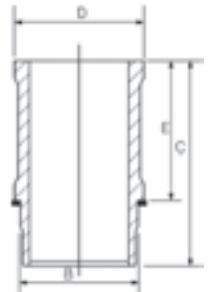
		
 EF580		NF780  45.00x60.00x7.00mm, ACM











1051	 90.00	Diesel	
XD90	4 Cyl.	2112cc	43kW (58)PS
504	09/79→08/82		TD24572

									
BE/PL	4	49.984/50.000	53.695/53.708	29.000	1.822	0.051/0.105	AL-LF	2870RA	01-4135/4 STD 0.30 0.50 0.80 1.00
MB/HL 1,3,5	3	54.994/55.009	58.731/58.750	30.000	1.835	0.052/0.111	AL-LF	2871RAA	H1029/5 STD 0.30 0.50 0.80
MB/HL 2,4	2	54.994/55.009	58.731/58.750	22.000	1.835	0.052/0.111	AL-LF	2873RAA	
TW/A	4	61.976/62.204	79.730/79.784		2.336		BS	2873BF	A181/4 STD 0.10 0.15 0.20
SE/PB	1	27.994/28.000	30.950/30.975	29.700			AL-LF	2874Y	05-4136 SEMI [48]

		
		NF387 42.00x60.00x10.00mm, NBR










1052	 90.00	Diesel	
XDP 4.90	4 Cyl.	22:1	43-55kW (58-75)PS
		2112cc	TD21440



			
		14-604060-00 WH B 96.00 C 173.00 D 106.30 E 129.00	
			









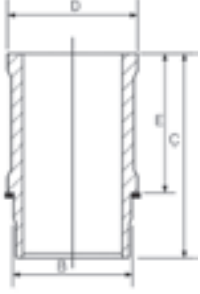
									
BE/PL	4	49.984/50.000	53.695/53.708	29.000	1.822	0.051/0.105	AL-LF	2870RA	01-4135/4 STD 0.30 0.50 0.80 1.00
MB/HL 1,3,5	3	54.994/55.009	58.731/58.750	30.000	1.835	0.052/0.111	AL-LF	2871RAA	H1029/5 STD 0.30 0.50 0.80
MB/HL 2,4	2	54.994/55.009	58.731/58.750	22.000	1.835	0.052/0.111	AL-LF	2873RAA	
TW/A	4	61.976/62.204	79.730/79.784		2.336		BS	2873BF	A181/4 STD 0.10 0.15 0.20
SE/PB	1	27.994/28.000	30.950/30.975	29.700			AL-LF	2874Y	05-4136 SEMI [48]



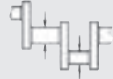







CITROEN/PEUGEOT









...Continued



1052	 90.00	Diesel
		
 EF580	HC346 	NF780  45.00x60.00x7.00mm, ACM NF387  42.00x60.00x10.00mm, NBR
		
	HC346	



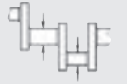
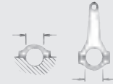






1053	 90.00	Diesel				
XDP90	4 Cyl.	22.5:1	2112cc	42kW (57)PS	TD8500	303
J7	08/68 → 07/77					





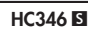

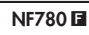

			
	08-314900-10 STD 2.00  CR P 2.00  P 2.00  P 4.50  CR P	14-604060-00 WH B 96.00 C 173.00 D 106.30 E 129.00 	



									
BE/PL	4	49.984/50.000	53.695/53.708	29.000	1.822	0.051/0.105	AL-LF	2870RA	01-4135/4 STD 0.30 0.50 0.80 1.00
MB/HL 1,3,5	3	54.994/55.009	58.731/58.750	30.000	1.835	0.052/0.111	AL-LF	2871RAA	H1029/5 STD 0.30 0.50 0.80
MB/HL 2,4	2	54.994/55.009	58.731/58.750	22.000	1.835	0.052/0.111	AL-LF	2873RAA	
TW/A	4	61.976/62.204	79.730/79.784		2.336		BS	2873BF	A181/4 STD 0.10 0.15 0.20
SE/PB	1	27.994/28.000	30.950/30.975	29.700			AL-LF	2874Y	05-4136 SEMI [48]




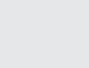
		
 EF580	HC346  =KJ647 18.30x24.00x2.000mm =PA349 22.00x16.00x2.000mm 	NF780  45.00x60.00x7.00mm, ACM NF387  42.00x60.00x10.00mm, NBR
	HC346	



1054	 90.00	Diesel				
XDPX90	4 Cyl.	22.1:1	2112cc	41kW (55)PS	TD8503	304
J9	03/80 → 06/87					











									
BE/PL	4	49.984/50.000	53.695/53.708	29.000	1.822	0.051/0.105	AL-LF	2870RA	01-4135/4 STD 0.30 0.50 0.80 1.00
MB/HL 1,3,5	3	54.994/55.009	58.731/58.750	30.000	1.835	0.052/0.111	AL-LF	2871RAA	H1029/5 STD 0.30 0.50 0.80
MB/HL 2,4	2	54.994/55.009	58.731/58.750	22.000	1.835	0.052/0.111	AL-LF	2873RAA	
TW/A	4	61.976/62.204	79.730/79.784		2.336		BS	2873BF	A181/4 STD 0.10 0.15 0.20
SE/PB	1	27.994/28.000	30.950/30.975	29.700			AL-LF	2874Y	05-4136 SEMI [48]




		
 EF580	HC346  =PA349 22.00x16.00x2.000mm  HC346	NF780  45.00x60.00x7.00mm, ACM NF387  42.00x60.00x10.00mm, NBR

1055	 90.00	Petrol				
M22-617	4 Cyl.	9:1	2175cc	82kW (111)PS	TD688	305
CX	09/74 → 07/76					

		
	=PA217 16.30x22.00x2.000mm	NF752  95.00x112.00x12.50mm, FPM

1056	 90.00	Diesel				
B22615	4 Cyl.	22.5:1	2175cc	45kW (61)PS	TD6897	306
C35	11/73 → 01/80					

									
BE/PL	4	53.990/54.005	57.675/57.685	24.500	1.826	0.020/0.069	AL-LF	66440RAA	01-4181/4 STD 0.25 0.50
SE/PB	1	30.008/30.014	33.000/33.033	31.900			BS	66444X	55-4393 STD SEMI

		
	=PA217 16.30x22.00x2.000mm	

CITROEN/PEUGEOT

1057



90.00

Diesel



CRD90 4 Cyl. 22.5:1 2175cc 45kW (61)PS TD6576

BE/PL	4	53.990/54.005	57.675/57.685	24.500	1.826	0.020/0.069	AL-LF	66440RAA	01-4181/4 STD 0.25 0.50	
SE/PB	1	30.008/30.014	33.000/33.033	31.900			BS	66444X	55-4393 STD SEMI	

1058



90.00

Diesel



M22-621 4 Cyl. 22.5:1 2175cc 49kW (67)PS TD689 307

CX 10/75→02/79

BE/PL	4	53.990/54.005	57.675/57.685	24.500	1.826	0.020/0.069	AL-LF	66440RAA	01-4181/4 STD 0.25 0.50	
SE/PB	1	30.008/30.014	33.000/33.033	31.900			BS	66444X	55-4393 STD SEMI	

	-PA349 22.00x16.00x2.000mm	NF637 48.00x65.00x10.00mm, FPM NF752 95.00x112.00x12.50mm, FPM

1059





90.00



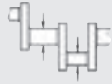
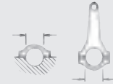






Diesel










XDP 6.90 6 Cyl. 22.1:1 3168cc 78kW (106)PS TD22478








		<p>14-604060-00 WH B 96.00 C 173.00 D 106.30 E 129.00</p>	

1060	 91.00	Petrol			
154A (ZMJK)	6 Cyl.	2849cc	110kW (150)PS	TD2913	308
604	09/83 → 07/87				











									
BE/PL	6	59.971/59.990	63.704/63.723	17.720	1.846	0.022/0.085	EC	71-3733	71-3733/6 STD
MB/HL 1-4	4	70.043/70.062	74.000/74.019	23.470	1.967	0.020/0.067	AL-LF	66311RA	H1041/4 STD






		
PA349 22.00x16.00x2.000mm		NF761  42.00x62.00x10.00mm, FPM/ACM NF634  80.00x100.00x13.00mm, MVQ



1061	 91.00	Petrol				
154X (ZN3J)	V6 Cyl.	8.8:1	2849cc	105/114/125kW (143/155/170)PS	TD2917	309
505	06/86 → 12/93					



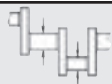
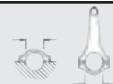






			
	08-408800-00 STD 1.50  CR P 2.00  P 4.00  CR [26]		

[26] Steel [26] Acier [26] Acciaio [26] Acero

									
BE/PL	6	59.971/59.990	63.704/63.723	17.720	1.846	0.022/0.085	EC	71-3733	71-3733/6 STD
MB/HL 1-4	4	70.043/70.062	74.000/74.019	23.470	1.967	0.020/0.067	AL-LF	66311RA	H1041/4 STD

		
PA349 22.00x16.00x2.000mm		NF761  42.00x62.00x10.00mm, FPM/ACM NF634  80.00x100.00x13.00mm, MVQ

1062	 91.70	Petrol				
176B (N9TE)	4 Cyl.	8:1	2155cc	114kW (155)PS	TD2756	310
176W (N9TEA)	4 Cyl.		2155cc	128kW (174)PS	TD13008	310
176X (N9TE)	4 Cyl.	8:1	2155cc	110kW (150)PS	TD2757	310
505	03/84 → 12/88					

									
MB/HL 1-4	4	70.043/70.062	74.000/74.019	23.470	1.967	0.020/0.067	AL-LF	66311RA	H1041/4 STD

CITROEN/PEUGEOT

1063



92.00

Diesel



DJ5 (T9A)	4 Cyl.	24:1	2446cc	63kW (86)PS	TD4293	311
DJ5 (T9A)	4 Cyl.	24:1	2446cc	63kW (86)PS	TD4830	311

BOXER	03/94→04/02	JUMPER	03/94→04/02
-------	-------------	--------	-------------

87-112400-00 STD 87-112407-00 0.50mm A 49.90 B- 3.00 D 80.00 34x58 AK TP		08-112400-00 STD 08-112407-00 0.50mm 2.25 CK P 2.00 P 2.00 CR P	14-020190-00 D B 96.00 C 160.00 D 99.00 E 5.00

BE/PL	4	53.981/54.000	57.675/57.695	22.650	1.823	0.030/0.090	EC	71-3781	71-3781/4 STD 0.30

EY140		JJ588							NB645 35.00x50.00x7.00mm, MVQ NF867 98.00x120.00x7.00mm, FPM/ACM

1064



92.00

Diesel



DJ5T (T8A)	4 Cyl.	21:1	2446cc	76kW (103)PS	TD4292	312
DJ5T (T8A)	4 Cyl.	21:1	2446cc	76kW (103)PS	TD4831	312

BOXER	03/94→04/02	JUMPER	03/94→04/02
-------	-------------	--------	-------------

87-326300-00 STD 87-326307-00 [23] 0.50mm A 49.84 B- 2.30 D 82.00 34x68 AK HA KK RT TP		08-326300-00 STD 08-326307-00 0.50mm 3.00 P PS 1.75 CR P 3.50 CR P	08-118900-00 STD 08-118907-00 0.50mm 3.50 P PS 2.00 P 3.00 CR P




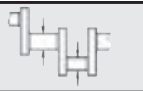
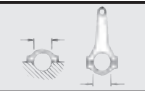









[23] A = 49.470, B = 81.600











[23] A = 49.470, B = 81.600




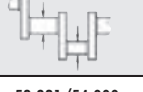








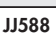

[23] A = 49.470, B = 81.600

[23] A = 49.470, B = 81.600

...Continued

1064  92.00 Diesel										
										[44]
						 NB645 35.00x50.00x7.00mm, MVQ NF867 98.00x120.00x7.00mm, FPM/ACM				

1065  92.00 Diesel 											
DJ5T (THZ)		4 Cyl.	22:1	2446cc	76kW (103)PS			TD6585 313			
											
87-326300-00 STD		87-326307-00 [23] 0.50mm		08-326300-00 STD		08-326307-00 0.50mm					
A 49.84	B- 2.30	D 82.00		3.00		1.75		3.50			
AK HA KK RT TP											
[23] A = 49.470, B = 81.600		[23] A = 49.470, B = 81.600		[23] A = 49.470, B = 81.600		[23] A = 49.470, B = 81.600					

1065  92.00 Diesel										
										[44]
						 NF866 64.00x88.00x6.00mm, FPM/ACM NF867 98.00x120.00x7.00mm, FPM/ACM				

CITROEN/PEUGEOT

1066



92.00

Diesel



DJSTED (THX)	4 Cyl.		2446cc	79kW (107)PS	TD11067	314
DJSTED (THX)	4 Cyl.	20:1	2446cc	79kW (107)PS	TD11889	314
BOXER	01/97→04/02		JUMPER	12/96→04/02		

87-135800-00 STD A 57.00 B- 18.25 BØ 40.00 C 1.50 D 89.00 34x68 AK KK RT	08-135800-00 STD 08-135807-00 0.50mm 3.50 P PS 2.00 P 3.50 CR P	14-020190-00 D B 96.00 C 160.00 D 99.00 E 5.00 	

BE/PL	4	53.981/54.000	57.675/57.695	22.700	1.823	0.030/0.090	SP	71-3951	71-3951/4 STD	[44]

EY140	JJ588 PA349 22.00x16.00x2.000mm	NF866 64.00x88.00x6.00mm, FPM/ACM NF867 98.00x120.00x7.00mm, FPM/ACM

1067



92.00

Diesel










DKSATE (THY)	4 Cyl.	22:1	2446cc	95kW (129)PS	TD2748	315
DKSATE (THY)	4 Cyl.	22:1	2446cc	95kW (129)PS	TD4294	315
605	07/94→09/99		XM	05/94→10/00		



87-326300-00 STD 87-326307-00 [23] 0.50mm A 49.84 B- 2.30 D 82.00 34x68 AK HA KK RT TP	08-326300-00 STD 08-326307-00 0.50mm 3.00 P PS 1.75 CR P 3.50 CR P		





[23] A = 49.470, B = 81.600 [23] A = 49.470, B = 81.600 [23] A = 49.470, B = 81.600 [23] A = 49.470, B = 81.600



BE/PL	4	53.981/54.000	57.675/57.695	22.700	1.823	0.030/0.090	SP	71-3951	71-3951/4 STD	[44]















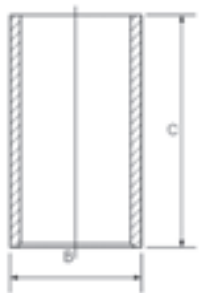

...Continued



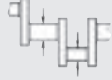







1067	 92.00	Diesel
		
 EY140	JJ588 =PA349 22.00x16.00x2.000mm	NF866  64.00x88.00x6.00mm, FPM/ACM NF867  98.00x120.00x7.00mm, FPM/ACM

1068	 93.00	Petrol			
M25-659	4 Cyl.	2500cc	100kW (136)PS	TD695	316
M25-662	4 Cyl.	2500cc	122kW (166)PS	TD697	316
M25-667	4 Cyl. 8.5:1	2500cc	115kW (156)PS	TD700	316
M25-668	4 Cyl.	2500cc	89-98kW (121-133)PS	TD701	316
CX	07/83 → 12/92				

		
=PA217 16.30x22.00x2.000mm		NF752  95.00x112.00x12.50mm, FPM

1069	 93.00	Diesel				
B25637	4 Cyl.	22.25:1	2500cc	51kW (69)PS	TD6895	317
C35	02/80 → 01/94					





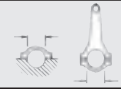











			
87-152700-00 87-152707-00	STD 0.50mm	 08-152700-00 STD 08-152707-00 0.50mm 08/84 → 2.50  MOL P 2.00  P 4.00  CR P 08-147300-10 STD →07/84 2.00  MOL P 2.00  P 4.00  CR P 08-214400-10 STD 2.00  CR P 2.00  P 4.00  CR P	14-013481-00 D B 96.10 C 163.00 
A 52.75 B- 7.30 D 87.75  30x78			



									
BE/PL	4	53.990/54.005	57.675/57.685	24.500	1.826	0.020/0.069	AL-LF	66440RAA	01-4181/4 STD 0.25 0.50
MB/HL 1-5	5	67.035/67.050	71.695/71.705	28.700	2.317	0.020/0.061	AL-LF	66716RAA	H1089/5 STD 0.25 0.50

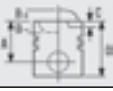
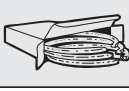



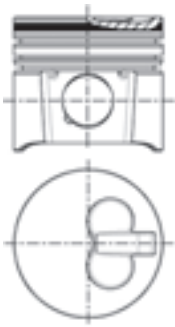



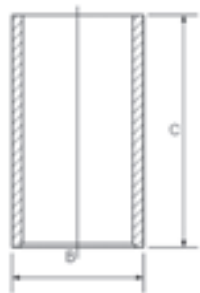







11/83 →



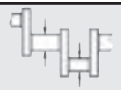
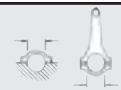




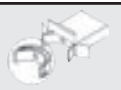

CITROEN/PEUGEOT

...Continued







1069	 93.00	Diesel								
										
TW/A	4	75.500/75.750	89.000/89.100		3.140		BS	66716BF	A213/4 STD 0.12	
11/83 →										
SE/PB	1	30.008/30.014	33.000/33.033	31.900			BS	66444X	55-4393 STD SEMI	
										
			=PA217 16.30x22.00x2.000mm				NF719  95.00x112.00x12.50mm, MVQ NF752  95.00x112.00x12.50mm, FPM			


1070	 93.00	Diesel								
CRD93	4 Cyl.	22.25:1	2500cc	54kW (73)PS				TD21168	318	
CRD93 (U25/661)	4 Cyl.	22.25:1	2500cc	54kW (73)PS				TD2747	319	
J5	09/81 → 03/94									




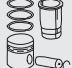




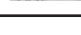







			
87-152700-00 87-152707-00	STD 0.50mm	08-152700-00 08-152707-00 08/84 →	14-013481-00 D B 96.10 C 163.00
A 52.75 B- 7.30 D 87.75  30x78		2.50  MOL P 2.00  P 4.00  CR P	
		08-147300-10 →07/84	
		2.00  MOL P 2.00  P 4.00  CR P	
		08-214400-10 STD	
		2.00  CR P 2.00  P 4.00  CR P	



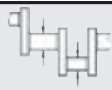
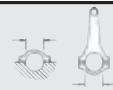






									
BE/PL	4	53.990/54.005	57.675/57.685	24.500	1.826	0.020/0.069	AL-LF	66440RAA	01-4181/4 STD 0.25 0.50
MB/HL 1-5	5	67.035/67.050	71.695/71.705	28.700	2.317	0.020/0.061	AL-LF	66716RAA	H1089/5 STD 0.25 0.50
01/83 →									
TW/A	4	75.500/75.750	89.000/89.100		3.140		BS	66716BF	A213/4 STD 0.12
01/83 →									
SE/PB	1	30.008/30.014	33.000/33.033	31.900			BS	66444X	55-4393 STD SEMI






...Continued

1070	 93.00	Diesel
		
		NF776  75.00x90.00x11.50mm, FPM/ACM NF752  95.00x112.00x12.50mm, FPM

1071	 93.00	Diesel	
CRD93B	4 Cyl.	22.25:1	2500cc
			50kW (68)PS
			TD6577 320

			
87-152700-00 STD 87-152707-00 0.50mm A 52.75 B- 7.30 D 87.75  30x78	 08-152700-00 STD 08-152707-00 0.50mm 08/84 → 2.50  MOL P 2.00  P 4.00  CR P 08-147300-10 STD →07/84 2.00  MOL P 2.00  P 4.00  CR P 08-214400-10 STD 2.00  CR P 2.00  P 4.00  CR P	14-013481-00 D B 96.10 C 163.00 	

									
BE/PL	4	53.990/54.005	57.675/57.685	24.500	1.826	0.020/0.069	AL-LF	66440RAA	01-4181/4 STD 0.25 0.50
MB/HL 1-5	5	67.035/67.050	71.695/71.705	28.700	2.317	0.020/0.061	AL-LF	66716RAA	H1089/5 STD 0.25 0.50
11/83 →									
TW/A	4	75.500/75.750	89.000/89.100		3.140		BS	66716BF	A213/4 STD 0.12
11/83 →									
SE/PB	1	30.008/30.014	33.000/33.033	31.900			BS	66444X	55-4393 STD SEMI

		
		NF776  75.00x90.00x11.50mm, FPM/ACM NF752  95.00x112.00x12.50mm, FPM

CITROEN/PEUGEOT

1072

93.00

Diesel



CRD93L (U25-661)

4 Cyl.

22.5:1

2500cc

54-55kW (73-75)PS

TD625

321

C25

11/81 → 02/94

87-152700-00 87-152707-00 A 52.75 B- 7.30 D 87.75 30x78	STD 0.50mm		08-152700-00 STD 08-152707-00 0.50mm 08/84 → 2.50 MOL P 2.00 P 4.00 CR P	14-013481-00 D B 96.10 C 163.00 	08-147300-10 STD →07/84 2.00 MOL P 2.00 P 4.00 CR P	08-214400-10 STD 2.00 CR P 2.00 P 4.00 CR P	

BE/PL	4	53.990/54.005	57.675/57.685	24.500	1.826	0.020/0.069	AL-LF	66440RAA	01-4181/4 STD 0.25 0.50
MB/HL 1-5	5	67.035/67.050	71.695/71.705	28.700	2.317	0.020/0.061	AL-LF	66716RAA	H1089/5 STD 0.25 0.50
TW/A	4	75.500/75.750	89.000/89.100		3.140		BS	66716BF	A213/4 STD 0.12
SE/PB	1	30.008/30.014	33.000/33.033	31.900			BS	66444X	55-4393 STD SEMI

--	--	--

NF776 75.00x90.00x11.50mm, FPM/ACM
NF752 95.00x112.00x12.50mm, FPM

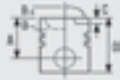
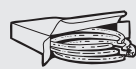
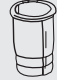




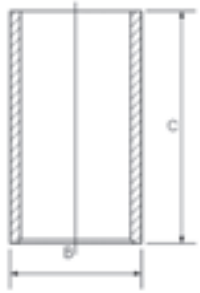
1073


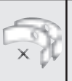








93.00






Diesel



CRD93LS (U25/673)	4 Cyl.	22.5:1	2500cc	70kW (95)PS	TD4829	322
CRD93LS (U25-673)	4 Cyl.	22.5:1	2500cc	70kW (95)PS	TD626	322
C25	01/87→02/94	J5	09/81→03/94			

			
	08-152900-00 STD 3.00  MOL P 2.00  CR P 4.00  CR P	14-013481-00 D B 96.10 C 163.00 	

									
BE/PL	4	53.975/53.990	57.685/57.695	22.500	1.826	0.043/0.093	BS	66715CPA	71-4198/4 STD
MB/HL 1-5	5	67.035/67.050	71.695/71.705	28.700	2.317	0.020/0.061	AL-LF	66716RAA	H1089/5 STD 0.25 0.50
TW/A	4	75.500/75.750	89.000/89.100		3.140		BS	66716BF	A213/4 STD 0.12

		
	=PA217 16.30x22.00x2.000mm =PA349 22.00x16.00x2.000mm	NF776  75.00x90.00x11.50mm, FPM/ACM NF752  95.00x112.00x12.50mm, FPM

CITROEN/PEUGEOT

1074



93.00

Diesel



M22-629	4 Cyl.	22.25:1	2500cc	55kW (75)PS	TD23453
M25-637	4 Cyl.	22.25:1	2500cc	55kW (75)PS	TD23454
M25-661	4 Cyl.	22.25:1	2500cc	55kW (75)PS	TD23455

<p>87-152700-00 STD 87-152707-00 0.50mm</p> <p>A 52.75 B- 7.30 D 87.75 30x78</p>	<p>08-782300-00 STD 08-782308-00 0.60mm →690650</p> <p>2.50 MOL P 2.00 P 4.00 CR P</p>	<p>14-021551-00 D B 85.66 C 142.00 D 89.00 E 4.50 14-023751-00 D B 87.00 C 154.00 D 89.00 E 4.55 14-785400-00 D B 86.00 C 144.00 D 89.00 E 4.50</p>	<p>08-785400-00 STD 08-785408-00 0.60mm 690651→</p> <p>2.50 MOL P 2.00 P 3.00 CR P</p>
		<p>14-014730-00 D B 86.09 C 154.00</p>	

BE/PL	4	53.990/54.005	57.675/57.685	24.500	1.826	0.020/0.069	AL-LF	66440RAA	01-4181/4 STD 0.25 0.50
MB/HL 1-5	5	67.035/67.050	71.695/71.705	28.700	2.317	0.020/0.061	AL-LF	66716RAA	H1089/5 STD 0.25 0.50
11/83→									
TW/A	4	75.500/75.750	89.000/89.100		3.140		BS	66716BF	A213/4 STD 0.12
11/83→									
SE/PB	1	30.008/30.014	33.000/33.033	31.900			BS	66444X	55-4393 STD SEMI

1075



93.00

Diesel



M25-629

4 Cyl.

22.25:1

2500cc

55kW (75)PS

TD693

323

CX

02/78→08/85

87-152700-00 87-152707-00 A 52.75 B- 7.30 D 87.75 30x78	STD 0.50mm 	08-152700-00 STD 08-152707-00 0.50mm 08/84→ 2.50 MOL P 2.00 P 4.00 CR P 08-147300-10 STD →07/84 2.00 MOL P 2.00 P 4.00 CR P 08-214400-10 STD 2.00 CR P 2.00 P 4.00 CR P	14-013481-00 D B 96.10 C 163.00 				

BE/PL	4	53.990/54.005	57.675/57.685	24.500	1.826	0.020/0.069	AL-LF	66440RAA	01-4181/4 STD 0.25 0.50
MB/HL 1-5	5	67.035/67.050	71.695/71.705	28.700	2.317	0.020/0.061	AL-LF	66716RAA	H1089/5 STD 0.25 0.50
11/83→									
TW/A	4	75.500/75.750	89.000/89.100		3.140		BS	66716BF	A213/4 STD 0.12
11/83→									
SE/PB	1	30.008/30.014	33.000/33.033	31.900			BS	66444X	55-4393 STD SEMI

	=PA217 16.30x22.00x2.000mm	NF637 48.00x65.00x10.00mm, FPM NF752 95.00x112.00x12.50mm, FPM

CITROEN/PEUGEOT

1076



93.00

Diesel



M25-648 4 Cyl. 21:1 2500cc 70kW (95)PS TD694 324

CX 04/83 → 12/86

	<p>08-152900-00 STD</p> <p>3.00 MOL P</p> <p>2.00 CR P</p> <p>4.00 CR P</p>	<p>14-013481-00 D</p> <p>B 96.10 C 163.00</p>	

BE/PL	4	53.975/53.990	57.685/57.695	22.500	1.826	0.043/0.093	BS	66715CPA	71-4198/4 STD
MB/HL 1-5	5	67.035/67.050	71.695/71.705	28.700	2.317	0.020/0.061	AL-LF	66716RAA	H1089/5 STD 0.25 0.50
11/83 →									
TW/A	4	75.500/75.750	89.000/89.100		3.140		BS	66716BF	A213/4 STD 0.12
11/83 →									

	<p>PA217</p> <p>16.30x22.00x2.00mm</p>	<p>NF776 75.00x90.00x11.50mm, FPM/ACM</p> <p>NF752 95.00x112.00x12.50mm, FPM</p>

1077



93.00

Diesel



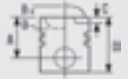

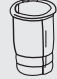
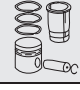



M25-660 4 Cyl. 22.25:1 2500cc 54kW (73)PS TD696 325


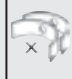
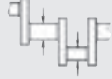







CX 08/85 → 12/92



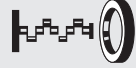


<p>87-152700-00 STD</p> <p>87-152707-00 0.50mm</p> <p>A 52.75</p> <p>B- 7.30</p> <p>D 87.75</p> <p> 30x78</p>	<p>08-152700-00 STD</p> <p>08-152707-00 0.50mm</p> <p>08/84 →</p> <p>2.50 MOL P</p> <p>2.00 P</p> <p>4.00 CR P</p> <hr/> <p>08-147300-10 STD</p> <p>→07/84</p> <p>2.00 MOL P</p> <p>2.00 P</p> <p>4.00 CR P</p>	<p>14-013481-00 D</p> <p>B 96.10 C 163.00</p>	

...Continued

1077  **93.00** Diesel

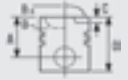
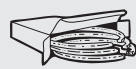

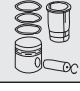




			
	08-214400-10 STD 2.00  CR P 2.00  P 4.00  CR P		



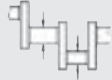
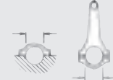






									
BE/PL	4	53.990/54.005	57.675/57.685	24.500	1.826	0.020/0.069	AL-LF	66440RAA	01-4181/4 STD 0.25 0.50
MB/HL 1-5	5	67.035/67.050	71.695/71.705	28.700	2.317	0.020/0.061	AL-LF	66716RAA	H1089/5 STD 0.25 0.50
TW/A	4	75.500/75.750	89.000/89.100		3.140		BS	66716BF	A213/4 STD 0.12






		
	PA217 16.30x22.00x2.000mm	NF776  75.00x90.00x11.50mm, FPM/ACM NF752  95.00x112.00x12.50mm, FPM

1078  **93.00** Diesel 

M25-669	4 Cyl.	21.25:1	2500cc	88kW (120)PS	TD702	322
CX	01/87 → 12/92					

			
	08-152900-00 STD 3.00  MOL P 2.00  CR P 4.00  CR P	14-013481-00 D B 96.10 C 163.00 	

									
BE/PL	4	53.975/53.990	57.685/57.695	22.500	1.826	0.043/0.093	BS	66715CPA	71-4198/4 STD
MB/HL 1-5	5	67.035/67.050	71.695/71.705	28.700	2.317	0.020/0.061	AL-LF	66716RAA	H1089/5 STD 0.25 0.50
TW/A	4	75.500/75.750	89.000/89.100		3.140		BS	66716BF	A213/4 STD 0.12

		
	PA217 16.30x22.00x2.000mm	NF776  75.00x90.00x11.50mm, FPM/ACM NF752  95.00x112.00x12.50mm, FPM

CITROEN/PEUGEOT

1079


93.00
Petrol


ZPJ/Z (UFZ)	6 Cyl.	9.5:1	2963cc	123-125kW (167-170)PS	TD735	326
ZPJ4/Z (UKZ)	V6 Cyl.	9.5:1	2963cc	147kW (200)PS	TD736	326

XM 05/89→10/00

BE/PL	6	59.971/59.990	63.704/63.723	17.720	1.846	0.022/0.085	EC	71-3733	71-3733/6 STD	
MB/HL 1-4	4	70.043/70.062	74.000/74.019	23.470	1.967	0.020/0.067	AL-LF	66311RA	H1041/4 STD	

									NA5191 42.00x62.00x7.00mm, PTFE NF835 80.00x100.00x8.00mm, FPM/ACM NF634 80.00x100.00x13.00mm, MVQ

1080


93.00
Petrol


ZPJ (UFZ)	V6 Cyl.	9.5:1	2963cc	123kW (167)PS	TD2920	326
ZPJ4/Z (UKZ)	V6 Cyl.	9.5:1	2963cc	147kW (200)PS	TD2921	326

605 08/89→09/99

BE/PL	6	59.971/59.990	63.704/63.723	17.720	1.846	0.022/0.085	EC	71-3733	71-3733/6 STD	
MB/HL 1-4	4	70.043/70.062	74.000/74.019	23.470	1.967	0.020/0.067	AL-LF	66311RA	H1041/4 STD	

									PA349 22.00x16.00x2.000mm NA5191 42.00x62.00x7.00mm, PTFE NF835 80.00x100.00x8.00mm, FPM/ACM NF634 80.00x100.00x13.00mm, MVQ

1081








93.00
Petrol







ZPJ/Z (SFZ)	V6 Cyl.	9.5:1	2963cc	123-125kW (167-170)PS	TD731	
ZPJ4/Z (SKZ)	V6 Cyl.	9.5:1	2963cc	147kW (200)PS	TD732	










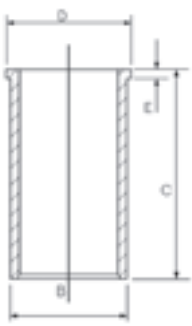
XM 05/89→10/00












BE/PL	6	59.971/59.990	63.704/63.723	17.720	1.846	0.022/0.085	EC	71-3733	71-3733/6 STD	
MB/HL 1-4	4	70.043/70.062	74.000/74.019	23.470	1.967	0.020/0.067	AL-LF	66311RA	H1041/4 STD	

									NA5191 42.00x62.00x7.00mm, PTFE NF634 80.00x100.00x13.00mm, MVQ

1082		93.50	Petrol	
M23-622	4 Cyl.	2347cc	94kW (128)PS	TD690 327
M23-623	4 Cyl.	2347cc	85kW (115)PS	TD691 328
CX	08/76 → 06/83			
				
	⇒ PA217 16.30x22.00x2.000mm		NF752  95.00x112.00x12.50mm, FPM	

1083		93.50	Petrol	
M23-639	4 Cyl.	8.75:1	2347cc	88kW (120)PS
CX	05/80 → 05/82			
				
	⇒ PA217 16.30x22.00x2.000mm			

1084		94.00	Diesel	
XD2	4 Cyl.	22.2:1	2304cc	44-53kW (60-72)PS
505	05/79 → 09/84			
				
	08-318700-10 STD 08-318704-10 0.20mm 08-318706-10 0.40mm 08-318707-10 0.50mm 08-318708-10 0.60mm 08-318710-10 0.80mm 08-318711-10 1.00mm 2.00  CR P 2.00  P 4.00  CR P	14-020660-00 D B 97.00 C 170.60 D 99.50 E 4.00 14-021520-00 D B 98.00 C 170.60 D 100.00 E 6.00 14-027270-00 D B 98.70 C 170.00 D 100.00 E 5.00		

										
BE/PL	4	49.984/50.000	53.695/53.708	29.000	1.822	0.051/0.105	AL-LF	2870RA	01-4135/4 STD 0.30 0.50 0.80 1.00	
→08/79										
BE/PL	4	54.994/55.021	58.737/58.750	29.000	1.838	0.040/0.105	AL-LF	66690RA	01-4195/4 STD 0.30 0.50 0.80	
09/79 →										
MB/HL 1,3,5	3	54.994/55.009	58.731/58.750	30.000	1.835	0.052/0.111	AL-LF	2871RAA	H1029/5 STD 0.30 0.50 0.80	
MB/HL 2,4	2	54.994/55.009	58.731/58.750	22.000	1.835	0.052/0.111	AL-LF	2873RAA		
→06/81										

CITROEN/PEUGEOT

...Continued

1084



94.00

Diesel

MB/HL 1,3,5	3	59.994/60.021	63.737/63.750	30.000	1.837	0.042/0.107	AL-LF	66691RA	H1056/5 STD 0.30 0.50	
MB/HL 2,4	2	59.994/60.021	63.737/63.750	24.000	1.837	0.042/0.107	AL-LF	66692RA		
07/81 →										
TW/A	4	61.976/62.204	79.730/79.784		2.336		BS	2873BF	A181/4 STD 0.10 0.15 0.20	
→ 06/81										
TW/A	4	67.000/67.250	84.750/85.000		2.330		BS	66691BF	A211/4 STD 0.20	
07/81 →										
SE/PB	1	27.994/28.000	30.950/30.975	29.700			AL-LF	2874Y	05-4136 SEMI [48]	
→ 08/79										
SE/PB	1	30.007/30.020	33.000/33.025	29.700			BS	66694Y	55-4196 SEMI	



NF780 45.00x60.00x7.00mm, ACM
NF387 42.00x60.00x10.00mm, NBR

1085



94.00

Diesel



XD2 (134)	4 Cyl.	22.2:1	2304cc	51kW (69)PS	TD2800	330
504	07/75 → 12/89					

87-318700-00 [24] STD 87-318706-00 [24] 0.40mm 87-318708-00 [24] 0.60mm 87-318711-00 [24] 1.00mm A 57.42 B- 2.00 D 99.90 30x79	08-318700-10 STD 08-318704-10 0.20mm 08-318706-10 0.40mm 08-318707-10 0.50mm 08-318708-10 0.60mm 08-318710-10 0.80mm 08-318711-10 1.00mm 2.00 CR P 2.00 P 4.00 CR P	14-020660-00 D B 97.00 C 170.60 D 99.50 E 4.00 14-021520-00 D B 98.00 C 170.60 D 100.00 E 6.00 14-027270-00 D B 98.70 C 170.00 D 100.00 E 5.00 	

[24] Pistons to be replaced in Engine Sets only

[24] Piston à remplacer dans jeu moteur

[24] Il pistone può essere rimpiazzato solamente completo

[24] Pistones de repuesto para juegos de motores solamente

...Continued

1085		94.00	Diesel							
BE/PL	4	49.984/50.000	53.695/53.708	29.000	1.822	0.051/0.105	AL-LF	2870RA	01-4135/4 STD 0.30 0.50 0.80 1.00	
→08/79										
BE/PL	4	54.994/55.021	58.737/58.750	29.000	1.838	0.040/0.105	AL-LF	66690RA	01-4195/4 STD 0.30 0.50 0.80	
09/79 →										
MB/HL 1,3,5	3	54.994/55.009	58.731/58.750	30.000	1.835	0.052/0.111	AL-LF	2871RAA	H1029/5 STD 0.30 0.50 0.80	
MB/HL 2,4	2	54.994/55.009	58.731/58.750	22.000	1.835	0.052/0.111	AL-LF	2873RAA		
→06/81										
MB/HL 1,3,5	3	59.994/60.021	63.737/63.750	30.000	1.837	0.042/0.107	AL-LF	66691RA	H1056/5 STD 0.30 0.50	
MB/HL 2,4	2	59.994/60.021	63.737/63.750	24.000	1.837	0.042/0.107	AL-LF	66692RA		
07/81 →										
TW/A	4	61.976/62.204	79.730/79.784		2.336		BS	2873BF	A181/4 STD 0.10 0.15 0.20	
→06/81										
TW/A	4	67.000/67.250	84.750/85.000		2.330		BS	66691BF	A211/4 STD 0.20	
07/81 →										
SE/PB	1	27.994/28.000	30.950/30.975	29.700			AL-LF	2874Y	05-4136 SEMI [48]	
→08/79										
SE/PB	1	30.007/30.020	33.000/33.025	29.700			BS	66694Y	55-4196 SEMI	
09/79 →										

	→PA349 22.00x16.00x2.000mm	NF780 45.00x60.00x7.00mm, ACM NF387 42.00x60.00x10.00mm, NBR

1086		94.00	Diesel			
XD2P94	4 Cyl.	22.2:1	2304cc	49kW (67)PS	TD8501	331
J7	07/77 → 03/80					

	08-318700-10 STD 08-318704-10 0.20mm 08-318706-10 0.40mm 08-318707-10 0.50mm 08-318708-10 0.60mm 08-318710-10 0.80mm 08-318711-10 1.00mm 2.00 CR P 2.00 P 4.00 CR P		

CITROEN/PEUGEOT

...Continued

1086



94.00

Diesel

BE/PL	4	49.984/50.000	53.695/53.708	29.000	1.822	0.051/0.105	AL-LF	2870RA	01-4135/4 STD 0.30 0.50 0.80 1.00
→08/79									
BE/PL	4	54.994/55.021	58.737/58.750	29.000	1.838	0.040/0.105	AL-LF	66690RA	01-4195/4 STD 0.30 0.50 0.80
09/79→									
MB/HL 1,3,5	3	54.994/55.009	58.731/58.750	30.000	1.835	0.052/0.111	AL-LF	2871RAA	H1029/5 STD 0.30 0.50 0.80
MB/HL 2,4	2	54.994/55.009	58.731/58.750	22.000	1.835	0.052/0.111	AL-LF	2873RAA	
TW/A	4	61.976/62.204	79.730/79.784		2.336		BS	2873BF	A181/4 STD 0.10 0.15 0.20
SE/PB	1	27.994/28.000	30.950/30.975	29.700			AL-LF	2874Y	05-4136 SEMI [48]
→08/79									
SE/PB	1	30.007/30.020	33.000/33.025	29.700			BS	66694Y	55-4196 SEMI
09/79→									

	PA349 22.00x16.00x2.000mm	NF780 45.00x60.00x7.00mm, ACM NF387 42.00x60.00x10.00mm, NBR

1087



94.00

Diesel



XD2PX94	4 Cyl.	22.2:1	2304cc	49kW (67)PS	TD8504	331
J9	03/80→07/82					

87-318700-00 [24] STD 87-318706-00 [24] 0.40mm 87-318708-00 [24] 0.60mm 87-318711-00 [24] 1.00mm A 57.42 B- 2.00 D 99.90 30x79	 08-318700-10 STD 08-318704-10 0.20mm 08-318706-10 0.40mm 08-318707-10 0.50mm 08-318708-10 0.60mm 08-318710-10 0.80mm 08-318711-10 1.00mm 2.00 CR P 2.00 P 4.00 CR P	14-020660-00 D B 97.00 C 170.60 D 99.50 E 4.00 14-021520-00 D B 98.00 C 170.60 D 100.00 E 6.00 14-027270-00 D B 98.70 C 170.00 D 100.00 E 5.00 	

[24] Pistons to be replaced in Engine Sets only



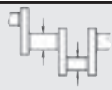
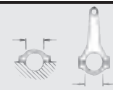






[24] Piston à remplacer dans jeu moteur






[24] Il pistone può essere rimpiazzato solamente completo



[24] Pistones de repuesto para juegos de motores solamente

...Continued

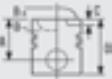

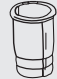
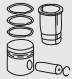



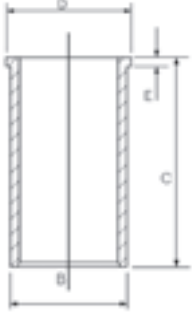
1087  **94.00 Diesel**

									
BE/PL	4	54.994/55.021	58.737/58.750	29.000	1.838	0.040/0.105	AL-LF	66690RA	01-4195/4 STD 0.30 0.50 0.80
MB/HL 1,3,5	3	54.994/55.009	58.731/58.750	30.000	1.835	0.052/0.111	AL-LF	2871RAA	H1029/5 STD 0.30 0.50 0.80
MB/HL 2,4	2	54.994/55.009	58.731/58.750	22.000	1.835	0.052/0.111	AL-LF	2873RAA	
→06/81									
MB/HL 1,3,5	3	59.994/60.021	63.737/63.750	30.000	1.837	0.042/0.107	AL-LF	66691RA	H1056/5 STD 0.30 0.50
MB/HL 2,4	2	59.994/60.021	63.737/63.750	24.000	1.837	0.042/0.107	AL-LF	66692RA	
07/81 →									
TW/A	4	61.976/62.204	79.730/79.784		2.336		BS	2873BF	A181/4 STD 0.10 0.15 0.20
→06/81									
TW/A	4	67.000/67.250	84.750/85.000		2.330		BS	66691BF	A211/4 STD 0.20
07/81 →									
SE/PB	1	30.007/30.020	33.000/33.025	29.700			BS	66694Y	55-4196 SEMI

		
	PA349 22.00x16.00x2.00mm	NF780  45.00x60.00x7.00mm, ACM NF387  42.00x60.00x10.00mm, NBR

1088  **94.00 Diesel** 

XD2S 4 Cyl. 21:1 2304cc **54-59kW (73-80)PS** **TD22474 332**

			
	08-320200-10 STD 08-320204-10 0.20mm 08-320206-10 0.40mm 08-320208-10 0.60mm 08-320211-10 1.00mm 3.00  MOL P 2.00  P 4.00  CR P	14-020660-00 D B 97.00 C 170.60 D 99.50 E 4.00 14-021520-00 D B 98.00 C 170.60 D 100.00 E 6.00 14-027270-00 D B 98.70 C 170.00 D 100.00 E 5.00	
			

CITROEN/PEUGEOT

...Continued

1088



94.00

Diesel

BE/PL	4	54.994/55.021	58.737/58.750	29.000	1.838	0.040/0.105	AL-LF	66690RA	01-4195/4 STD 0.30 0.50 0.80	
MB/HL 1,3,5	3	54.994/55.009	58.731/58.750	30.000	1.835	0.052/0.111	AL-LF	2871RAA	H1029/5 STD 0.30 0.50 0.80	
MB/HL 2,4	2	54.994/55.009	58.731/58.750	22.000	1.835	0.052/0.111	AL-LF	2873RAA		
→06/81										
MB/HL 1,3,5	3	59.994/60.021	63.737/63.750	30.000	1.837	0.042/0.107	AL-LF	66691RA	H1056/5 STD 0.30 0.50	
MB/HL 2,4	2	59.994/60.021	63.737/63.750	24.000	1.837	0.042/0.107	AL-LF	66692RA		
07/81→										
TW/A	4	61.976/62.204	79.730/79.784		2.336		BS	2873BF	A181/4 STD 0.10 0.15 0.20	
→06/81										
TW/A	4	67.000/67.250	84.750/85.000		2.330		BS	66691BF	A211/4 STD 0.20	
07/81→										
SE/PB	1	30.007/30.020	33.000/33.025	29.700			BS	66694Y	55-4196 SEMI	



NF780 45.00x60.00x7.00mm, ACM
NF387 42.00x60.00x10.00mm, NBR

1089



94.00

Diesel



XD2S (147)	4 Cyl.	21:1	2304cc	59kW (80)PS	TD2802	333
505	09/80→06/86	604	09/79→05/83			

	<p>08-320200-10 STD</p> <p>08-320204-10 0.20mm</p> <p>08-320206-10 0.40mm</p> <p>08-320208-10 0.60mm</p> <p>08-320211-10 1.00mm</p> <p>3.00 MOL P</p> <p>2.00 P</p> <p>4.00 CR P</p>	<p>14-020660-00 D</p> <p>B 97.00 C 170.60 D 99.50 E 4.00</p> <p>14-021520-00 D</p> <p>B 98.00 C 170.60 D 100.00 E 6.00</p> <p>14-027270-00 D</p> <p>B 98.70 C 170.00 D 100.00 E 5.00</p>	

...Continued

1089		94.00	Diesel							
BE/PL	4	49.984/50.000	53.695/53.708	29.000	1.822	0.051/0.105	AL-LF	2870RA	01-4135/4 STD 0.30 0.50 0.80 1.00	
→08/79										
BE/PL	4	54.994/55.021	58.737/58.750	29.000	1.838	0.040/0.105	AL-LF	66690RA	01-4195/4 STD 0.30 0.50 0.80	
09/79→										
MB/HL 1,3,5	3	54.994/55.009	58.731/58.750	30.000	1.835	0.052/0.111	AL-LF	2871RAA	H1029/5 STD 0.30 0.50 0.80	
MB/HL 2,4	2	54.994/55.009	58.731/58.750	22.000	1.835	0.052/0.111	AL-LF	2873RAA		
→06/81										
MB/HL 1,3,5	3	59.994/60.021	63.737/63.750	30.000	1.837	0.042/0.107	AL-LF	66691RA	H1056/5 STD 0.30 0.50	
MB/HL 2,4	2	59.994/60.021	63.737/63.750	24.000	1.837	0.042/0.107	AL-LF	66692RA		
07/81→										
TW/A	4	61.976/62.204	79.730/79.784		2.336		BS	2873BF	A181/4 STD 0.10 0.15 0.20	
→06/81										
TW/A	4	67.000/67.250	84.750/85.000		2.330		BS	66691BF	A211/4 STD 0.20	
07/81→										
SE/PB	1	27.994/28.000	30.950/30.975	29.700			AL-LF	2874Y	05-4136 SEMI [48]	
→08/79										
SE/PB	1	30.007/30.020	33.000/33.025	29.700			BS	66694Y	55-4196 SEMI	
09/79→										

		NF780 45.00x60.00x7.00mm, ACM NF387 42.00x60.00x10.00mm, NBR

1090		94.00	Diesel							
CRD93L	4 Cyl.	22.25:1	2498cc	70kW (95)PS	TD18876 334					
J5	09/81→01/94									

87-152700-00 87-152707-00 A 52.75 B- 7.30 D 87.75 30x78	STD 0.50mm 	08-152700-00 08-152707-00 2.50 MOL P 2.00 P 4.00 CR P	

CITROEN/PEUGEOT

...Continued

1090



94.00

Diesel

BE/PL	4	53.990/54.005	57.675/57.685	24.500	1.826	0.020/0.069	AL-LF	66440RAA	01-4181/4 STD 0.25 0.50
MB/HL 1-5	5	67.035/67.050	71.695/71.705	28.700	2.317	0.020/0.061	AL-LF	66716RAA	H1089/5 STD 0.25 0.50
TW/A	4	75.500/75.750	89.000/89.100		3.140		BS	66716BF	A213/4 STD 0.12
SE/PB	1	30.008/30.014	33.000/33.033	31.900			BS	66444X	55-4393 STD SEMI



NF776 75.00x90.00x11.50mm, FPM/ACM

NF752 95.00x112.00x12.50mm, FPM

1091



94.00

Diesel













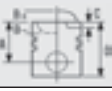



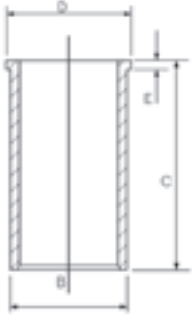
EN 55 4 Cyl. 23:1 2498cc 53-56kW (72-76)PS TD6685 335











87-318700-10	STD			08-318700-10	STD												
87-318706-10	0.40mm			08-318704-10	0.20mm					14-020660-00 D	B 97.00 C 170.60 D 99.50 E 4.00						
87-318708-10	0.60mm			08-318706-10	0.40mm					14-021520-00 D	B 98.00 C 170.60 D 100.00 E 6.00						
87-318710-10	0.80mm			08-318707-10	0.50mm					14-027270-00 D	B 98.70 C 170.00 D 100.00 E 5.00						
A	54.00			08-318708-10	0.60mm												
B-	1.80			08-318710-10	0.80mm												
D	96.42			08-318711-10	1.00mm												
	30x79			2.00	CR P												
				2.00	P												
				4.00	CR P												
87-318700-30	STD			08-318700-10	STD												
87-318706-30	0.40mm			08-318704-10	0.20mm												
87-318708-30	0.60mm			08-318706-10	0.40mm												
87-318710-30	0.80mm			08-318707-10	0.50mm												
A	54.00			08-318708-10	0.60mm												
B-	1.75			08-318710-10	0.80mm												
D	91.42			08-318711-10	1.00mm												
	30x79			2.00	CR P												
				2.00	P												
				4.00	CR P												








BE/PL	4	54.994/55.021	58.737/58.750	29.000	1.838	0.040/0.105	AL-LF	66690RA	01-4195/4 STD 0.30 0.50 0.80
MB/HL 1,3,5	3	59.994/60.021	63.737/63.750	30.000	1.837	0.042/0.107	AL-LF	66691RA	H1056/5 STD 0.30 0.50
MB/HL 2,4	2	59.994/60.021	63.737/63.750	24.000	1.837	0.042/0.107	AL-LF	66692RA	
TW/A	4	67.000/67.250	84.750/85.000		2.330		BS	66691BF	A211/4 STD 0.20
SE/PB	1	32.009/32.025	35.000/35.025	29.700			BS	66694YA	55-4197 SEMI

...Continued

1091  94.00 Diesel			
 ET800	JJ484	NF780  45.00x60.00x7.00mm, ACM NB855  67.00x86.00x9.50mm, PTFE NB854  79.00x99.00x9.50mm, PTFE	
			
	JJ484		

1092  94.00 Diesel					
ET 70	4 Cyl.	21:1	2498cc	71kW (96)PS	TD6686 336
					
		14-020660-00 D B 97.00 C 170.60 D 99.50 E 4.00 14-021520-00 D B 98.00 C 170.60 D 100.00 E 6.00 14-027270-00 D B 98.70 C 170.00 D 100.00 E 5.00			
					

									
BE/PL	4	54.994/55.021	58.737/58.750	29.000	1.838	0.040/0.105	AL-LF	66690RA	01-4195/4 STD 0.30 0.50 0.80
MB/HL 1,3,5	3	59.994/60.021	63.737/63.750	30.000	1.837	0.042/0.107	AL-LF	66691RA	H1056/5 STD 0.30 0.50
MB/HL 2,4	2	59.994/60.021	63.737/63.750	24.000	1.837	0.042/0.107	AL-LF	66692RA	
TW/A	4	67.000/67.250	84.750/85.000		2.330		BS	66691BF	A211/4 STD 0.20
SE/PB	1	32.009/32.025	35.000/35.025	29.700			BS	66694YA	55-4197 SEMI

 ET800			
	JJ484	NF780  45.00x60.00x7.00mm, ACM NB855  67.00x86.00x9.50mm, PTFE NB854  79.00x99.00x9.50mm, PTFE	
			
	JJ484		

CITROEN/PEUGEOT

1093



94.00

Diesel



XD3 (155)	4 Cyl.	23:1	2498cc	51-55kW (70-75)PS	TD2803	337
XD3P	4 Cyl.	23:1	2498cc	53kW (72)PS	TD8505	338
505	06/81→12/93	J9		07/82→06/87		

<p>87-318700-10 STD 87-318706-10 0.40mm 87-318708-10 0.60mm 87-318710-10 0.80mm →12/93</p> <p>A 54.00 B- 1.80 D 96.42 30x79</p>	<p>08-318700-10 STD 08-318704-10 0.20mm 08-318706-10 0.40mm 08-318707-10 0.50mm 08-318708-10 0.60mm 08-318710-10 0.80mm 08-318711-10 1.00mm</p> <p>2.00 CR P 2.00 P 4.00 CR P</p>	<p>14-020660-00 D B 97.00 C 170.60 D 99.50 E 4.00 14-021520-00 D B 98.00 C 170.60 D 100.00 E 6.00 14-027270-00 D B 98.70 C 170.00 D 100.00 E 5.00</p>	
<p>87-318700-30 STD 87-318706-30 0.40mm 87-318708-30 0.60mm 87-318710-30 0.80mm 01/94→</p> <p>A 54.00 B- 1.75 D 91.42 30x79</p>	<p>08-318700-10 STD 08-318704-10 0.20mm 08-318706-10 0.40mm 08-318707-10 0.50mm 08-318708-10 0.60mm 08-318710-10 0.80mm 08-318711-10 1.00mm</p> <p>2.00 CR P 2.00 P 4.00 CR P</p>		

BE/PL	4	54.994/55.021	58.737/58.750	29.000	1.838	0.040/0.105	AL-LF	66690RA	01-4195/4 STD 0.30 0.50 0.80
MB/HL 1,3,5	3	59.994/60.021	63.737/63.750	30.000	1.837	0.042/0.107	AL-LF	66691RA	H1056/5 STD 0.30 0.50
MB/HL 2,4	2	59.994/60.021	63.737/63.750	24.000	1.837	0.042/0.107	AL-LF	66692RA	
TW/A	4	67.000/67.250	84.750/85.000		2.330		BS	66691BF	A211/4 STD 0.20
SE/PB	1	32.009/32.025	35.000/35.025	29.700			BS	66694YA	55-4197 SEMI

		NF780 45.00x60.00x7.00mm, ACM

1094



94.00

Diesel



XD3T	4 Cyl.	21:1	2498cc	66-70kW (90-95)PS	TD22475	339
XD3T (152A)	4 Cyl.	21:1	2498cc	66kW (89)PS	TD2805	339
505	10/83→12/93		604	08/83→12/86		

	<p>08-320200-10 STD</p> <p>08-320204-10 0.20mm</p> <p>08-320206-10 0.40mm</p> <p>08-320208-10 0.60mm</p> <p>08-320211-10 1.00mm</p> <p>3.00 MOL P</p> <p>2.00 P</p> <p>4.00 CR P</p>	<p>14-020660-00 D</p> <p>B 97.00 C 170.60 D 99.50 E 4.00</p> <p>14-021520-00 D</p> <p>B 98.00 C 170.60 D 100.00 E 6.00</p> <p>14-027270-00 D</p> <p>B 98.70 C 170.00 D 100.00 E 5.00</p> <p style="text-align: center;"></p>	

BE/PL	4	54.994/55.021	58.737/58.750	29.000	1.838	0.040/0.105	AL-LF	66690RA	01-4195/4 STD 0.30 0.50 0.80
MB/HL 1,3,5	3	59.994/60.021	63.737/63.750	30.000	1.837	0.042/0.107	AL-LF	66691RA	H1056/5 STD 0.30 0.50
MB/HL 2,4	2	59.994/60.021	63.737/63.750	24.000	1.837	0.042/0.107	AL-LF	66692RA	
TW/A	4	67.000/67.250	84.750/85.000		2.330		BS	66691BF	A211/4 STD 0.20
SE/PB	1	32.009/32.025	35.000/35.025	29.700			BS	66694YA	55-4197 SEMI

		NF780 45.00x60.00x7.00mm, ACM

CITROEN/PEUGEOT

1095



94.00

Diesel



XD3TE

4 Cyl.

21:1

2498cc

54-77kW (73-105)PS

TD22476

340

		<p>14-020660-00 D B 97.00 C 170.60 D 99.50 E 4.00 14-021520-00 D B 98.00 C 170.60 D 100.00 E 6.00 14-027270-00 D B 98.70 C 170.00 D 100.00 E 5.00</p>	

BE/PL	4	54.994/55.021	58.737/58.750	29.000	1.838	0.040/0.105	AL-LF	66690RA	01-4195/4 STD 0.30 0.50 0.80
MB/HL 1,3,5	3	59.994/60.021	63.737/63.750	30.000	1.837	0.042/0.107	AL-LF	66691RA	H1056/5 STD 0.30 0.50
MB/HL 2,4	2	59.994/60.021	63.737/63.750	24.000	1.837	0.042/0.107	AL-LF	66692RA	
TW/A	4	67.000/67.250	84.750/85.000		2.330		BS	66691BF	A211/4 STD 0.20
SE/PB	1	32.009/32.025	35.000/35.025	29.700			BS	66694YA	55-4197 SEMI

		NF780 45.00x60.00x7.00mm, ACM

1096

94.00

Diesel



XD3TE (152B)

4 Cyl.

21:1

2498cc

77kW (105)PS

TD2806

341

505

10/86→12/93

	<p>08-320200-10 STD</p> <p>08-320204-10 0.20mm</p> <p>08-320206-10 0.40mm</p> <p>08-320208-10 0.60mm</p> <p>08-320211-10 1.00mm</p> <p>3.00 MOL P</p> <p>2.00 P</p> <p>4.00 CR P</p>	<p>14-020660-00 D</p> <p>B 97.00 C 170.60 D 99.50 E 4.00</p> <p>14-021520-00 D</p> <p>B 98.00 C 170.60 D 100.00 E 6.00</p> <p>14-027270-00 D</p> <p>B 98.70 C 170.00 D 100.00 E 5.00</p> 	

BE/PL	4	54.994/55.021	58.737/58.750	29.000	1.838	0.040/0.105	AL-LF	66690RA	01-4195/4 STD 0.30 0.50 0.80	
MB/HL 1,3,5	3	59.994/60.021	63.737/63.750	30.000	1.837	0.042/0.107	AL-LF	66691RA	H1056/5 STD 0.30 0.50	
MB/HL 2,4	2	59.994/60.021	63.737/63.750	24.000	1.837	0.042/0.107	AL-LF	66692RA		
TW/A	4	67.000/67.250	84.750/85.000		2.330		BS	66691BF	A211/4 STD 0.20	
SE/PB	1	32.009/32.025	35.000/35.025	29.700			BS	66694YA	55-4197 SEMI	

--	--	--

HC346
= PA349
 22.00x16.00x2.00mm



HC346

NF780 45.00x60.00x7.00mm, ACM

CITROEN/PEUGEOT

1097



94.40

Diesel



8140.23 (F28DTSE)	4 Cyl.	18.5:1	2498cc	76kW (103)PS	TD24918	
8140.43 (F28DT)	4 Cyl.	18.5:1	2498cc	90kW (122)PS	TD21169	342

BE/PL	4	56.520/56.535	60.333/60.345	24.700	1.870	0.020/0.072	BS	1870CP	71-4130/4 STD 0.25 0.50 0.75
MB/HL 5	1	86.182/86.208	90.588/90.614	30.950	2.164	0.052/0.129	BS	4691CPH	
MB/HL 1-4	4	80.182/80.208	84.588/84.614	23.800	2.164	0.052/0.129	BS	4692CP	H1104/5 STD 0.25 0.50
SE/PB	1	31.990/31.996	34.895/34.920	30.700			BS	66579YA	55-4186 SEMI

JH5178 Soft Material Gasket JJ613		NP067 50.00x70.00x10.00mm, FPM NF883 114.00x177.00x13.00mm, FPM NF885 70.00x179.00x16.00mm, FPM
JJ613		

1098



94.40

Diesel




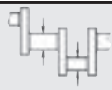
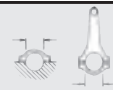















8140.43N	4 Cyl.	18.5:1	2498cc	107kW (146)PS	TD18297	343
8140.43N	4 Cyl.	18.5:1	2498cc	107kW (146)PS	TD24923	344
8140.43S (F28DTCR) Euro 3	4 Cyl.	18.5:1	2798cc	92kW (125)PS	TD17514	345
8140.43S Euro 3	4 Cyl.	18:1	2798cc	92kW (125)PS	TD17849	345
F28DTCR Euro 3	4 Cyl.	18:1	2798cc	92kW (125)PS	TD16741	347


BOXER 10/00 → JUMPER 09/00 →









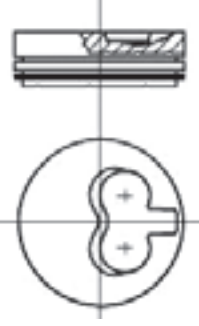
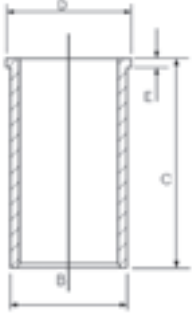
87-122200-00 87-122208-00	STD 0.60mm		08-122200-00 STD 08-122208-00 0.60mm
A 58.70 B- 21.30 BØ 39.40 D 87.60 32x72		2.50 CK P 2.00 P 2.50 CR P	14-021321-00 D B 97.54 C 167.00 D 100.90 E 5.00 14-021322-00 D B 97.70 C 167.00 D 100.90 E 5.00 14-028930-00 D B 97.50 C 167.00 D 100.90 E 5.00 14-028931-00 D B 97.58 C 167.00 D 100.90 E 5.00 14-028932-00 D B 97.70 C 167.00 D 100.90 E 5.00
AK KK RT TP			

...Continued

1098	 94.40	Diesel							
									
BE/PL	4	56.520/56.535	60.333/60.345	24.700	1.870	0.020/0.072	BS	1870CP	71-4130/4 STD 0.25 0.50 0.75
MB/HL 5	1	86.182/86.208	90.588/90.614	30.950	2.164	0.052/0.129	BS	4691CPH	H1104/5 STD 0.25 0.50
MB/HL 1-4	4	80.182/80.208	84.588/84.614	23.800	2.164	0.052/0.129	BS	4692CP	
SE/PB	1	31.990/31.996	34.895/34.920	30.700			BS	66579YA	55-4186 SEMI

		
JH5178 Soft Material Gasket	JJ613 	NP067  50.00x70.00x10.00mm, FPM NF883  114.00x177.00x13.00mm, FPM NF885  70.00x179.00x16.00mm, FPM
	JJ613	

1099	 94.40	Diesel							
8140.63 (F28D)	4 Cyl.	21:1	2798cc	64kW (87)PS				TD24917	346
8140.63 (F28D)	4 Cyl.	21:1	2798cc	64kW (87)PS				TD24977	346
BOXER	01/99→02/02	JUMPER	01/99→02/02						

			
87-108200-00 87-108208-00	08-108200-00 08-108208-00	14-021321-00 D	14-021322-00 D
STD 0.60mm	STD 0.60mm	B 97.54 C 167.00 D 100.90 E 5.00	B 97.70 C 167.00 D 100.90 E 5.00
A 55.00 B- 2.80 D 90.00  32x68 AK HA RT TP	3.00  CR P 2.00  P 2.50  CR P	14-028930-00 D B 97.50 C 167.00 D 100.90 E 5.00 14-028931-00 D B 97.58 C 167.00 D 100.90 E 5.00 14-028932-00 D B 97.70 C 167.00 D 100.90 E 5.00	
			

CITROEN/PEUGEOT

...Continued


1099






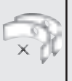








94.40



Diesel


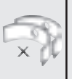








BE/PL	4	56.520/56.535	60.333/60.345	24.700	1.870	0.020/0.072	BS	1870CP	71-4130/4 STD 0.25 0.50 0.75
MB/HL 5	1	86.182/86.208	90.588/90.614	30.950	2.164	0.052/0.129	BS	4691CPH	H1104/5 STD 0.25 0.50
MB/HL 1-4	4	80.182/80.208	84.588/84.614	23.800	2.164	0.052/0.129	BS	4692CP	
SE/PB	1	31.990/31.996	34.895/34.920	30.700			BS	66579YA	55-4186 SEMI



	<p>JH5178 Soft Material Gasket JJ613</p>  <p>JJ613</p>	<p>NP067 50.00x70.00x10.00mm, FPM NF883 114.00x177.00x13.00mm, FPM NF885 70.00x179.00x16.00mm, FPM</p>

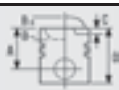









1100		 54.50	Petrol		
680 701	4 Cyl.	8.5:1	746cc	17-20kW (23-27)PS	TD3009
680.702	4 Cyl.	8.5:1	746cc	17-20kW (23-27)PS	TD3010
4		04/62 → 04/71			

									
BE/PL	4	37.959/37.975	41.128/41.139	21.180	1.569	0.020/0.067	AL-LF	2390RA	01-4133/4 STD 0.25 0.50 0.75
MB/HL 2	1	39.975/39.991	44.000/44.013	30.120	1.990	0.029/0.083	AL-LF	2392RAA	H1038/3 STD 0.25 0.50
MB/HL 3	1	39.975/39.991	44.000/44.013	32.870	1.990	0.029/0.083	AL-LF	2393RAA	
MB/HL 1	1	39.975/39.991	44.000/44.013	27.130	1.990	0.029/0.083	AL-LF	2394RA	
TW/A	2	44.400/44.650	55.650/55.900		1.975		BS	2392BFF	A177/2 STD

1101		 55.80	Petrol		
839 701	4 Cyl.		782cc	25kW (34)PS	TD3049
839 706	4 Cyl.	55.8:1	782cc	19-20kW (27-27)PS	TD3050
839 707	4 Cyl.		782cc	20kW (27)PS	TD3051
839.06	4 Cyl.	8.5:1	782cc	20kW (27)PS	TD3047
839.07	4 Cyl.	8.5:1	782cc	20kW (27)PS	TD3048
4		09/71 → 09/82			

									
BE/PL	4	37.959/37.975	41.128/41.139	21.180	1.569	0.020/0.067	AL-LF	2390RA	01-4133/4 STD 0.25 0.50 0.75
MB/HL 2	1	39.975/39.991	44.000/44.013	30.120	1.990	0.029/0.083	AL-LF	2392RAA	H1038/3 STD 0.25 0.50
MB/HL 3	1	39.975/39.991	44.000/44.013	32.870	1.990	0.029/0.083	AL-LF	2393RAA	
MB/HL 1	1	39.975/39.991	44.000/44.013	27.130	1.990	0.029/0.083	AL-LF	2394RA	
TW/A	2	44.400/44.650	55.650/55.900		1.975		BS	2392BFF	A177/2 STD

1102		 58.00	Petrol		
670.800	4 Cyl.	8:1	845cc	19-26kW (26-35)PS	TD22489

			
	08-331600-10 STD 2.00  CR P 2.00  P 3.50 		
	08-333300-00 STD 1.75  CR P 2.00  P 3.50  P		

1102


58.00
Petrol

BE/PL	4	37.959/37.975	41.128/41.139	21.180	1.569	0.020/0.067	AL-LF	2390RA	01-4133/4 STD 0.25 0.50 0.75	
MB/HL 2	1	39.975/39.991	44.000/44.013	30.120	1.990	0.029/0.083	AL-LF	2392RAA	H1038/3 STD 0.25 0.50	
MB/HL 3	1	39.975/39.991	44.000/44.013	32.870	1.990	0.029/0.083	AL-LF	2393RAA		
MB/HL 1	1	39.975/39.991	44.000/44.013	27.130	1.990	0.029/0.083	AL-LF	2394RA		
TW/A	2	44.400/44.650	55.650/55.900		1.975		BS	2392BFF	A177/2 STD	

1103


58.00
Petrol


800	4 Cyl.	8:1	845cc	27kW (37)PS	TD3023	348
800 01	4 Cyl.	8:1	845cc	25kW (34)PS	TD3024	348
800 05	4 Cyl.	8:1	845cc	22-25kW (30-34)PS	TD3025	
800 705	4 Cyl.	8:1	845cc	27kW (37)PS	TD4852	348
800.02	4 Cyl.	8:1	845cc	21-26kW (29-35)PS	TD21383	
B1B 707	4 Cyl.	8:1	845cc	21kW (29)PS	TD4855	348

4	10/62→07/89	6	10/69→04/80	RODEO 4	08/71→11/81
RODEO 6	05/70→08/73				

87-333300-00 STD A 30.00 D 64.00 16x50	08-333300-00 STD 01/69→ 1.75 CR P 2.00 P 3.50 P 08-331600-10 STD →01/69 2.00 CR P 2.00 P 3.50	15-632200-00 WH [34] B 62.50 C 126.00 D 69.80 E 112.80 	89-333300-00 87-333300-00 + 15-632200-00

[34] Includes seals

[34] Inclut des joints

[34] Comprende le guarnizioni

[34] Incluye los sellos

BE/PL	4	37.959/37.975	41.128/41.139	21.180	1.569	0.020/0.067	AL-LF	2390RA	01-4133/4 STD 0.25 0.50 0.75	
MB/HL 2	1	39.975/39.991	44.000/44.013	30.120	1.990	0.029/0.083	AL-LF	2392RAA	H1038/3 STD 0.25 0.50	
MB/HL 3	1	39.975/39.991	44.000/44.013	32.870	1.990	0.029/0.083	AL-LF	2393RAA		
MB/HL 1	1	39.975/39.991	44.000/44.013	27.130	1.990	0.029/0.083	AL-LF	2394RA		
TW/A	2	44.400/44.650	55.650/55.900		1.975		BS	2392BFF	A177/2 STD	

1104


58.00
Petrol

800 710

4 Cyl.

8:1

845cc

27kW (37)PS

TD3028
349
5

10/72→12/84

87-333300-00 STD A 30.00 D 64.00 16x50		08-333300-00 STD 01/69→ 1.75 CR P 2.00 P 3.50 P	15-632200-00 WH [34] B 62.50 C 126.00 D 69.80 E 112.80			89-333300-00 87-333300-00 + 15-632200-00	
		08-331600-10 STD →01/69 2.00 CR P 2.00 P 3.50 P					

[34] Includes seals

[34] Inclut des joints

[34] Comprende le guarnizioni

[34] Incluye los sellos

BE/PL	4	37.959/37.975	41.128/41.139	21.180	1.569	0.020/0.067	AL-LF	2390RA	01-4133/4 STD 0.25 0.50 0.75 H1038/3 STD 0.25 0.50
MB/HL 2	1	39.975/39.991	44.000/44.013	30.120	1.990	0.029/0.083	AL-LF	2392RAA	
MB/HL 3	1	39.975/39.991	44.000/44.013	32.870	1.990	0.029/0.083	AL-LF	2393RAA	
MB/HL 1	1	39.975/39.991	44.000/44.013	27.130	1.990	0.029/0.083	AL-LF	2394RA	
TW/A	2	44.400/44.650	55.650/55.900		1.975		BS	2392BFF	
									A177/2 STD

				HC375 =KJ647 18.30x24.00x2.000mm					
				HC375					

1105


61.40
Petrol

813.02

4 Cyl.

8:1

852cc

21kW (29)PS

TD22393

BE/PL	4	43.964/43.980	47.614/47.625	20.750	1.810	0.022/0.074	AL-LF	2950RA	01-4137/4 STD 0.25 0.50 0.75 H1107/5 STD 0.25 0.50 0.75
MB/HL 1,3	2	45.990/46.000	49.874/49.890	24.500	1.932	0.020/0.061	AL-LF	62011RA	
MB/HL 2,4,5	3	45.990/46.000	49.874/49.890	19.500	1.932	0.020/0.061	AL-LF	62012RA	

RENAULT/DACIA

1106



65.00

Petrol



C1C 706	4 Cyl.	949cc	27-30kW (37-42)PS	TD3098	350
C1C 708	4 Cyl.	956cc	25kW (34)PS	TD3099	350
4	06/87→12/93	RAPID	09/85→05/92		

	08-334000-00 STD 1.75 CR P 2.00 P 3.50 CR [26]	14-636720-00 WH B 75.50 C 135.00 D 86.00 E 94.85 	

[26] Steel [26] Acier [26] Acciaio [26] Acero

BE/PL	4	43.964/43.980	47.614/47.625	20.750	1.810	0.022/0.074	AL-LF	2950RA	01-4137/4 STD 0.25 0.50 0.75
MB/HL 1,3	2	45.990/46.000	49.874/49.890	24.500	1.932	0.020/0.061	AL-LF	62011RA	H1107/5 STD 0.25 0.50 0.75
MB/HL 2,4,5	3	45.990/46.000	49.874/49.890	19.500	1.932	0.020/0.061	AL-LF	62012RA	

EH680	HC354	NF722 35.00x50.00x10.00mm, MVQ NF835 80.00x100.00x8.00mm, FPM/ACM
	HC354	

1107



65.00

Petrol






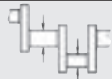











689.01	4 Cyl.	8.5:1	956cc	29kW (39)PS	TD21063	351
--------	--------	-------	-------	-------------	---------	-----





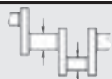











	08-334000-00 STD 1.75 CR P 2.00 P 3.50 CR [26]		



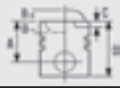




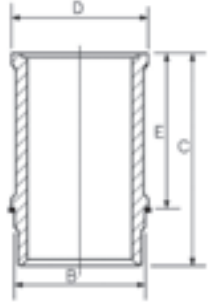

[26] Steel [26] Acier [26] Acciaio [26] Acero

BE/PL	4	43.964/43.980	47.614/47.625	20.750	1.810	0.022/0.074	AL-LF	2950RA	01-4137/4 STD 0.25 0.50 0.75

...Continued

1107		 65.00	Petrol							
										
MB/HL 1,3	2	45.990/46.000	49.874/49.890	24.500	1.932	0.020/0.061	AL-LF	62011RA	H1107/5 STD 0.25 0.50 0.75	
MB/HL 2,4,5	3	45.990/46.000	49.874/49.890	19.500	1.932	0.020/0.061	AL-LF	62012RA		
										
			HC354 							
			HC354							

1108		 65.00	Petrol							
689 71	4 Cyl.	956cc	32-33kW (44-45)PS				TD3016	352		
										
BE/PL	4	43.964/43.980	47.614/47.625	20.750	1.810	0.022/0.074	AL-LF	2950RA	01-4137/4 STD 0.25 0.50 0.75 H1107/5 STD 0.25 0.50 0.75	
MB/HL 1,3	2	45.990/46.000	49.874/49.890	24.500	1.932	0.020/0.061	AL-LF	62011RA		
MB/HL 2,4,5	3	45.990/46.000	49.874/49.890	19.500	1.932	0.020/0.061	AL-LF	62012RA		
										
			HC354 							
			HC354							

1109		 65.00	Petrol							
689 710	4 Cyl.	9.25:1	956cc	32kW (44)PS				TD3017	353	
4	12/85→06/93	5	01/72→12/85							
										
			08-334000-00 STD				14-636720-00 WH			
			1.75  CR P				B 75.50 C 135.00 D 86.00 E 94.85			
			2.00  P							
			3.50  CR [26]							

[26] Steel

[26] Acier

[26] Acciaio

[26] Acero

1109



65.00

Petrol

BE/PL	4	43.964/43.980	47.614/47.625	20.750	1.810	0.022/0.074	AL-LF	2950RA	01-4137/4 STD 0.25 0.50 0.75	
MB/HL 1,3	2	45.990/46.000	49.874/49.890	24.500	1.932	0.020/0.061	AL-LF	62011RA	H1107/5 STD 0.25 0.50 0.75	
MB/HL 2,4,5	3	45.990/46.000	49.874/49.890	19.500	1.932	0.020/0.061	AL-LF	62012RA		

--	--	--

HC354



HC354

NF835 80.00x100.00x8.00mm, FPM/ACM

1110



65.00

Petrol



C1C 700	4 Cyl.	956cc	30kW (41)PS	TD3097	350
---------	--------	-------	-------------	--------	-----

SUPER 5	10/84 → 10/88
---------	---------------

	<p>08-334000-00 STD</p> <p>1.75 CR P</p> <p>2.00 P</p> <p>3.50 CR [26]</p>	<p>14-636720-00 WH</p> <p>B 75.50 C 135.00 D 86.00 E 94.85</p>	

[26] Steel










[26] Acier



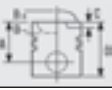






[26] Acciaio



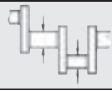
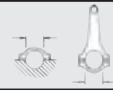






[26] Acero









BE/PL	4	43.964/43.980	47.614/47.625	20.750	1.810	0.022/0.074	AL-LF	2950RA	01-4137/4 STD 0.25 0.50 0.75	
MB/HL 1,3	2	45.990/46.000	49.874/49.890	24.500	1.932	0.020/0.061	AL-LF	62011RA	H1107/5 STD 0.25 0.50 0.75	
MB/HL 2,4,5	3	45.990/46.000	49.874/49.890	19.500	1.932	0.020/0.061	AL-LF	62012RA		

...Continued

1110  65.00 Petrol	
	
 EH680	<p>HC354 </p> <p>⇒ PA349</p> <p>22.00x16.00x2.00mm</p>  <p>HC354</p>
	<p>NF834  35.00x50.00x8.00mm, FPM</p> <p>NF722  35.00x50.00x10.00mm, MVQ</p> <p>NF835  80.00x100.00x8.00mm, FPM/ACM</p>

1111  65.00 Petrol						
C1C 754	4 Cyl.	8.6:1	956cc	24kW (33)PS	TD22353	354
						
	<p>08-334000-00 STD</p> <p>1.75  CR P</p> <p>2.00  P</p> <p>3.50  CR [26]</p>					
[26] Steel	[26] Acier	[26] Acciaio	[26] Acero			

									
BE/PL	4	43.964/43.980	47.614/47.625	20.750	1.810	0.022/0.074	AL-LF	2950RA	01-4137/4 STD 0.25 0.50 0.75 H1107/5 STD 0.25 0.50 0.75
MB/HL 1,3	2	45.990/46.000	49.874/49.890	24.500	1.932	0.020/0.061	AL-LF	62011RA	
MB/HL 2,4,5	3	45.990/46.000	49.874/49.890	19.500	1.932	0.020/0.061	AL-LF	62012RA	

			
 EH680	HC354 	NF722  35.00x50.00x10.00mm, MVQ	NF835  80.00x100.00x8.00mm, FPM/ACM
			
	HC354		

RENAULT/DACIA

1112



69.00

Petrol



D4D 700	4 Cyl.	9.8:1	999cc	44kW (60)PS						TD17268	368
D4D 720	4 Cyl.	9.8:1	999cc	44kW (60)PS						TD17269	368
D4F 702	4 Cyl.	9.8:1	1149cc	55kW (75)PS						TD16272	355
D4F 704	4 Cyl.	9.8:1	1149cc	55kW (75)PS						TD16273	356
D4F 732	4 Cyl.	9.8:1	1149cc	55kW (75)PS						TD23528	
D4F 732	4 Cyl.	9.8:1	1149cc	55kW (75)PS						TD23529	359
D4F 740	4 Cyl.	9.8:1	1149cc	55kW (75)PS						TD18421	360
D4F 742	4 Cyl.	9.8:1	1149cc	55kW (75)PS						TD24895	360
D4F 764	4 Cyl.	10.6:1	1149cc	57kW (77)PS						TD18530	360
D4F 772	4 Cyl.	9.8:1	1149cc	56kW (76)PS						TD20444	360
D4F 786	4 Cyl.	9.8:1	1149cc	76kW (103)PS						TD27696	361
D7D 760	4 Cyl.	9.6:1	1149cc	43kW (58)PS						TD20901	362

CLIO	02/00→	CLIO Grandtour	02/08→	LOGAN	02/06→
MODUS / GRAND MODUS	12/04→	SANDERO	11/08→	TWINGO	01/01→

BE/PL	4	39.984/40.000	43.639/43.650	16.250	1.810	0.020/0.065	AL-LF	01-3977	01-3977/4 STD 0.25 0.50		
MB/HL 1,2,4,5	4	43.990/44.010	47.612/47.625	18.800	1.795	0.006/0.064	AL-LF	02-3978	H097/5 STD		
MB/HL 3	1	43.990/44.010	47.612/47.625	23.900	1.795	0.006/0.064	AL-LF	02-3979H			

EG9780 →12/00	EG7950 Eng.010102→	

1113



69.00

Petrol

















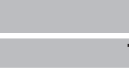
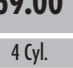

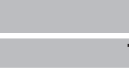
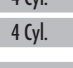


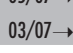
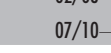
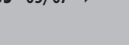
D4F 706	4 Cyl.	9.8:1	1149cc	55kW (75)PS						TD21205	357
D4F 708 Euro 3	4 Cyl.	9.8:1	1149cc	44kW (60)PS						TD19014	358
D4F 712	4 Cyl.	9.8:1	1149cc	55kW (75)PS						TD16186	355
D4F 714	4 Cyl.	9.8:1	1149cc	55kW (75)PS						TD16187	355
D4F 716	4 Cyl.	9.8:1	1149cc	55kW (75)PS						TD17270	355
D4F 722	4 Cyl.	9.8:1	1149cc	55kW (75)PS						TD19671	355
D4F 728	4 Cyl.	9.8:1	1149cc	55kW (75)PS						TD21206	357
D4F 730	4 Cyl.	9.8:1	1149cc	55kW (75)PS						TD21207	357

CLIO	06/01→	KANGOO	06/01→	THALIA	04/02→
TWINGO	08/04→				




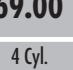





BE/PL	4	39.984/40.000	43.639/43.650	16.250	1.810	0.020/0.065	AL-LF	01-3977	01-3977/4 STD 0.25 0.50		
MB/HL 1,2,4,5	4	43.990/44.010	47.612/47.625	18.800	1.795	0.006/0.064	AL-LF	02-3978	H097/5 STD		
MB/HL 3	1	43.990/44.010	47.612/47.625	23.900	1.795	0.006/0.064	AL-LF	02-3979H			

...Continued

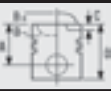







1113	 69.00	Petrol		
				
				
				
				
				
				
				
				
				



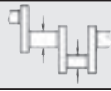







1114	 69.00	Petrol		
				
				
				
				
				
				
				
				
				

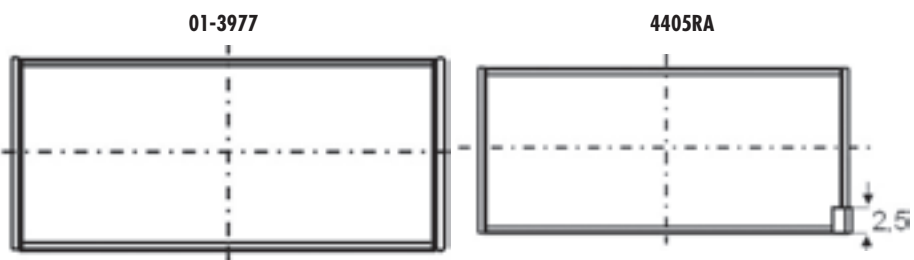
D4F 780	4 Cyl.	9.5:1	1149cc	74kW (100)PS	TD20442	361
D4F 782 Euro 5	4 Cyl.	9.5:1	1149cc	74kW (101)PS	TD23978	361
D4F 784	4 Cyl.	9.8:1	1149cc	74kW (100)PS	TD20813	361
CLIO	05/07 →	CLIO Grandtour	02/08 →	MODUS / GRAND MODUS 05/07 →		
TWINGO	03/07 →	WIND	07/10 →			

1115	 69.00	Petrol		
				
				
				
				
				
				

D7F 700	4 Cyl.	9.6:1	1149cc	44kW (60)PS	TD5520	363
TWINGO	05/96 →					

			
87-104100-00 STD 87-104105-00 0.25mm 87-104107-00 0.50mm A 27.00 D 50.50  18x52	08-104100-00 STD 08-104105-00 0.25mm 08-104107-00 0.50mm 1.50  CR P 1.50  P 2.50  CR P		

									
BE/PL	4	39.984/40.000	43.639/43.650	16.250	1.810	0.020/0.065	AL-LF	01-3977	01-3977/4 STD 0.25 0.50
BE/PL	4	39.984/40.000	43.639/43.650	16.250	1.813	0.070/0.065	AL-LF	4405RA	01-4161/4 STD



1115

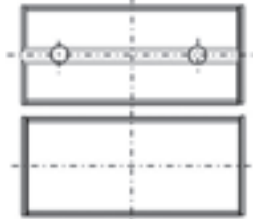


69.00

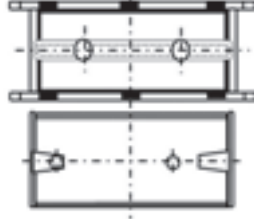
Petrol

MB/HL 1,2,4,5	4	43.990/44.010	47.612/47.625	18.800	1.795	0.006/0.064	AL-LF	02-3978	H097/5 STD
MB/HL 3	1	43.990/44.010	47.612/47.625	23.900	1.795	0.006/0.064	AL-LF	02-3979H	
MB/HL 1,2,4,5	4	43.990/44.010	47.612/47.625	18.800	1.798	0.020/0.064	AL-LF	4406RA	H1099/5 STD
MB/HL 3	1	43.990/44.010	47.612/47.625	23.930	1.798	0.020/0.064	AL-LF	4407RAH	

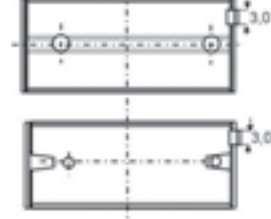
02-3978



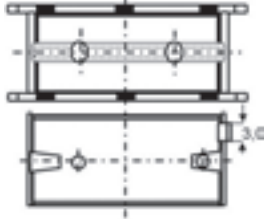
02-3979H



4406RA



4407RAH



--	--	--

EA140 [42]

JJ565

NF856 32.00x44.00x6.00mm, FPM
LK5001 [39] 74.00x187.50x17.000mm, FPM



JJ565

[39] Specification: Oil Seal in housing
[42] Supplementary Article/Supplementary Info:
with gaskets/seals

[39] Spécification: Oil Seal in housing
[42] Article complémentaire /
Info complémentaire: avec joints

[39] Especificación: Oil Seal in housing
[42] Artículo complementario/Información
complementaria: con juntas

[39] Specificazione: Oil Seal in housing
[42] Articolo complementare/Info
integrativa: con guarnizioni

1116	69.00	Petrol				
D7F 701	4 Cyl.	9.6:1	1149cc	44kW (60)PS	TD5521	363
D7F 702	4 Cyl.	9.6:1	1149cc	44kW (60)PS	TD16274	363
D7F 703	4 Cyl.	9.6:1	1149cc	43kW (58)PS	TD16275	363
D7F 704	4 Cyl.	9.6:1	1149cc	43-44kW (58-60)PS	TD16276	363
D7F 706	4 Cyl.	9.6:1	1149cc	43kW (58)PS	TD18178	363
D7F 720	4 Cyl.	9.65:1	1149cc	44kW (60)PS	TD14328	363
D7F 766 Euro 4	4 Cyl.	9.6:1	1149cc	43kW (58)PS	TD19670	363

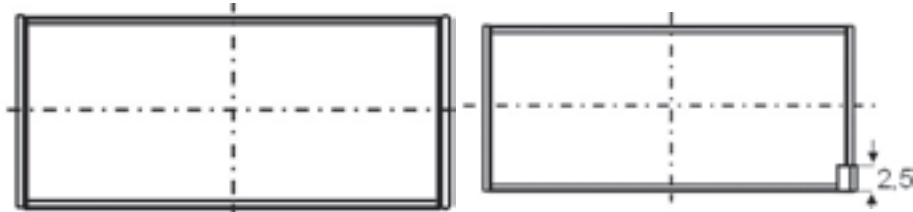
CLIO 09/98→ **KANGOO** 08/97→ **TWINGO** 05/96→

87-104100-00 STD	87-104105-00 0.25mm	87-104107-00 0.50mm	
87-104100-00 STD	87-104105-00 0.25mm	87-104107-00 0.50mm	
87-104107-00 0.50mm			
A 27.00			
D 50.50			
18x52			
08-104100-00 STD	08-104105-00 0.25mm	08-104107-00 0.50mm	
1.50	1.50	2.50	
CR P	P	CR P	

BE/PL	4	39.984/40.000	43.639/43.650	16.250	1.810	0.020/0.065	AL-LF	01-3977	01-3977/4	STD 0.25 0.50
BE/PL	4	39.984/40.000	43.639/43.650	16.250	1.813	0.070/0.065	AL-LF	4405RA	01-4161/4	STD

01-3977

4405RA

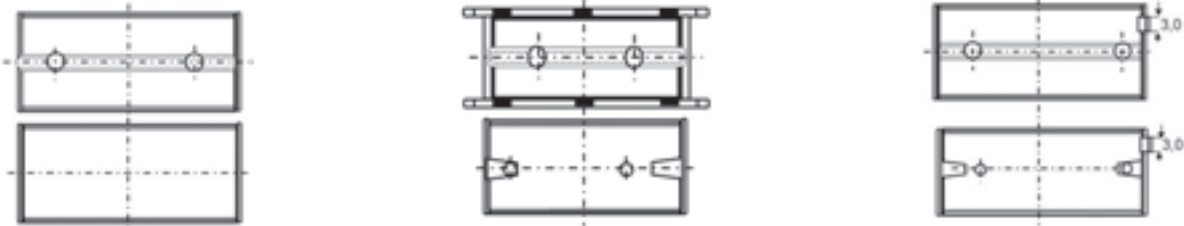


MB/HL 1,2,4,5	4	43.990/44.010	47.612/47.625	18.800	1.795	0.006/0.064	AL-LF	02-3978	H097/5	STD
MB/HL 3	1	43.990/44.010	47.612/47.625	23.900	1.795	0.006/0.064	AL-LF	02-3979H		
MB/HL 1,2,4,5	4	43.990/44.010	47.612/47.625	18.800	1.798	0.020/0.064	AL-LF	4406RA	H1099/5	STD
MB/HL 3	1	43.990/44.010	47.612/47.625	23.930	1.798	0.020/0.064	AL-LF	4407RAH		

02-3978

02-3979H

4406RA



1116

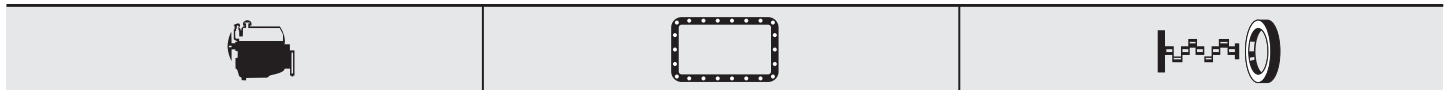
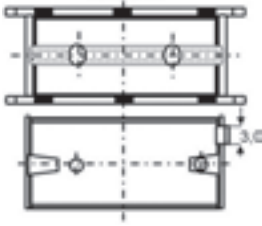


69.00

Petrol



4407RAH



EA140 [42]

JJ565

NF856 32.00x44.00x6.00mm, FPM



JJ565

[42] Supplementary Article/Supplementary Info:
with gaskets/seals

[42] Article complémentaire /
Info complémentaire: avec joints

[42] Artículo complementario/Información
complementaria: con juntas

[42] Articolo complementare/Info
integrativa: con guarnizioni

1117



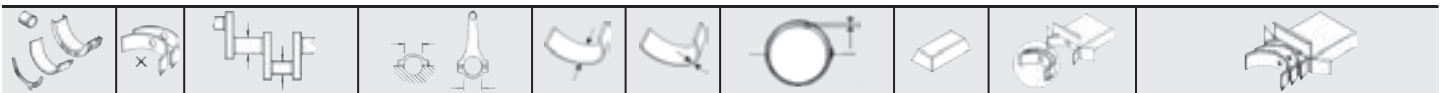
69.00

Petrol



D7F 708	4 Cyl.	9.6:1	1149cc	43kW (58)PS	TD26522	364
D7F 800	4 Cyl.	9.6:1	1149cc	43kW (58)PS	TD20443	367

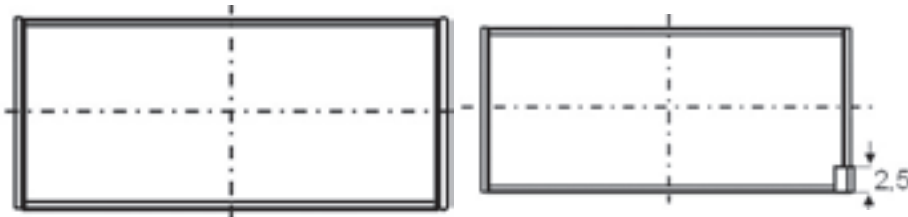
TWINGO 10/03 →



BE/PL	4	39.984/40.000	43.639/43.650	16.250	1.810	0.020/0.065	AL-LF	01-3977	01-3977/4 STD 0.25 0.50
BE/PL	4	39.984/40.000	43.639/43.650	16.250	1.813	0.070/0.065	AL-LF	4405RA	01-4161/4 STD



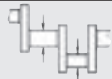







01-3977

4405RA

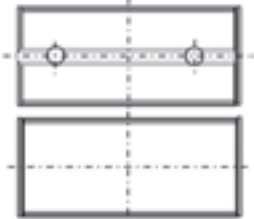


...Continued

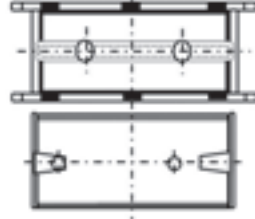
1117  **69.00** **Petrol**

									
MB/HL 1,2,4,5	4	43.990/44.010	47.612/47.625	18.800	1.795	0.006/0.064	AL-LF	02-3978	H097/5 STD
MB/HL 3	1	43.990/44.010	47.612/47.625	23.900	1.795	0.006/0.064	AL-LF	02-3979H	
MB/HL 1,2,4,5	4	43.990/44.010	47.612/47.625	18.800	1.798	0.020/0.064	AL-LF	4406RA	H1099/5 STD
MB/HL 3	1	43.990/44.010	47.612/47.625	23.930	1.798	0.020/0.064	AL-LF	4407RAH	

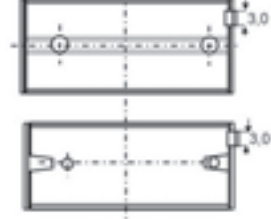
02-3978



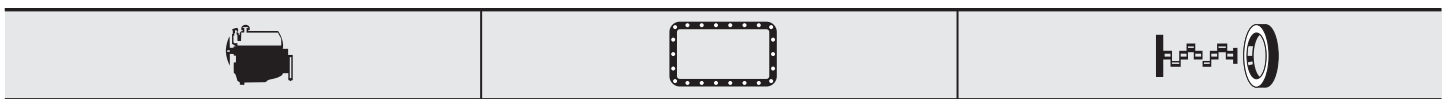
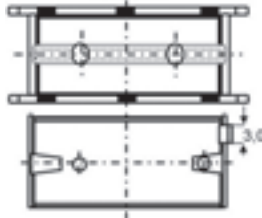
02-3979H



4406RA



4407RAH



 EA140 [42]

JJ565

NF856  32.00x44.00x6.00mm, FPM



JJ565

[42] Supplementary Article/Supplementary Info:
with gaskets/seals

[42] Article complémentaire /
Info complémentaire: avec joints

[42] Artículo complementario/Información
complementaria: con juntas

[42] Articolo complementare/Info
integrativa: con guarnizioni


1118  **69.00** **Petrol** 

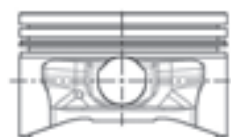
D7F 710	4 Cyl.	9.6:1	1149cc	44kW (60)PS	TD9624	363
D7F 746	4 Cyl.	9.6:1	1149cc	43kW (58)PS	TD17267	365

CLIO	09/98 →	KANGOO	08/97 →	THALIA	02/98 → 10/03
------	---------	--------	---------	--------	---------------



87-104100-00 STD
87-104105-00 0.25mm
87-104107-00 0.50mm

A 27.00
D 50.50
 18x52



08-104100-00 STD
08-104105-00 0.25mm
08-104107-00 0.50mm

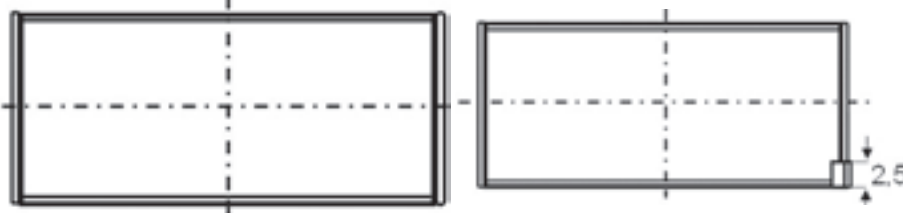
1.50  CR P
1.50  P
2.50  CR P



BE/PL	4	39.984/40.000	43.639/43.650	16.250	1.810	0.020/0.065	AL-LF	01-3977	01-3977/4 STD 0.25 0.50
BE/PL	4	39.984/40.000	43.639/43.650	16.250	1.813	0.070/0.065	AL-LF	4405RA	01-4161/4 STD

01-3977

4405RA

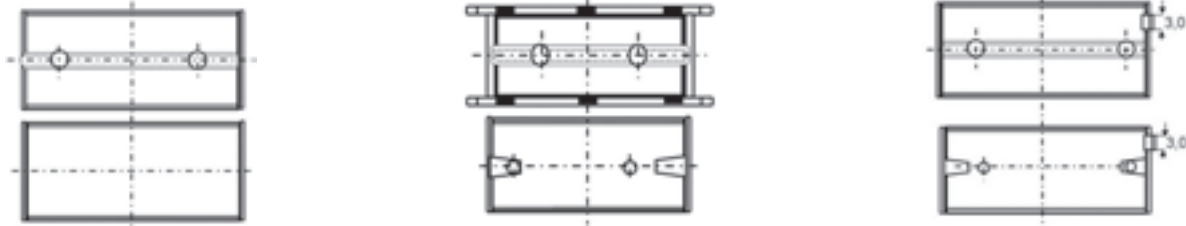


MB/HL 1,2,4,5	4	43.990/44.010	47.612/47.625	18.800	1.795	0.006/0.064	AL-LF	02-3978	H097/5 STD
MB/HL 3	1	43.990/44.010	47.612/47.625	23.900	1.795	0.006/0.064	AL-LF	02-3979H	
MB/HL 1,2,4,5	4	43.990/44.010	47.612/47.625	18.800	1.798	0.020/0.064	AL-LF	4406RA	H1099/5 STD
MB/HL 3	1	43.990/44.010	47.612/47.625	23.930	1.798	0.020/0.064	AL-LF	4407RAH	

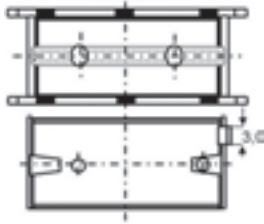
02-3978

02-3979H

4406RA



4407RAH



--	--	--

EA140 [42]
 EG7950

JJ565
=PA349
22.00x16.00x2.000mm

NF856 32.00x44.00x6.00mm, FPM



JJ565

[42] Supplementary Article/Supplementary Info:
with gaskets/seals

[42] Article complémentaire /
Info complémentaire: avec joints

[42] Artículo complementario/Información
complementaria: con juntas

[42] Articolo complementare/Info
integrativa: con guarnizioni

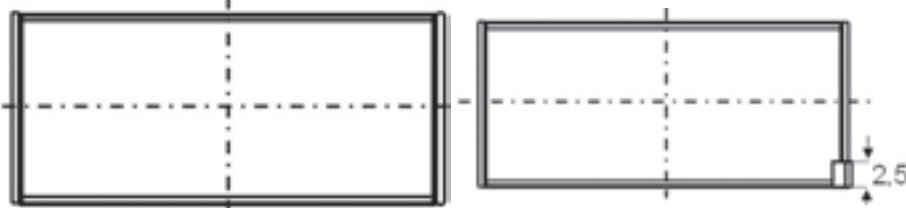
1119	69.00	Petrol				
D7F 722	4 Cyl.	9.6:1	1149cc	44kW (60)PS	TD16326	363
D7F 726	4 Cyl.	9.6:1	1149cc	44kW (60)PS	TD14329	363
D7F 730	4 Cyl.	9.6:1	1149cc	44kW (60)PS	TD5522	363
CLIO	01/96 →	KANGOO	08/97 →			

87-104100-00 STD	87-104105-00 0.25mm	87-104107-00 0.50mm	
87-104100-00 STD	87-104105-00 0.25mm	87-104107-00 0.50mm	
A 27.00		1.50 CR P	
D 50.50		1.50 P	
18x52		2.50 CR P	

BE/PL	4	39.984/40.000	43.639/43.650	16.250	1.810	0.020/0.065	AL-LF	01-3977	01-3977/4 STD 0.25 0.50
BE/PL	4	39.984/40.000	43.639/43.650	16.250	1.813	0.070/0.065	AL-LF	4405RA	01-4161/4 STD

01-3977

4405RA

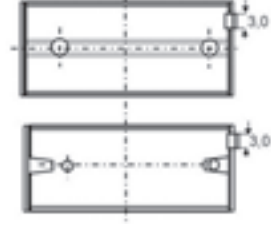
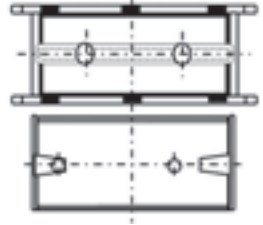
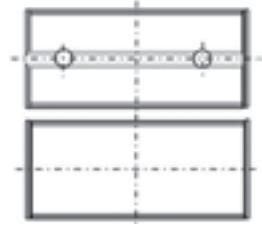


MB/HL 1,2,4,5	4	43.990/44.010	47.612/47.625	18.800	1.795	0.006/0.064	AL-LF	02-3978	H097/5 STD
MB/HL 3	1	43.990/44.010	47.612/47.625	23.900	1.795	0.006/0.064	AL-LF	02-3979H	
MB/HL 1,2,4,5	4	43.990/44.010	47.612/47.625	18.800	1.798	0.020/0.064	AL-LF	4406RA	H1099/5 STD
MB/HL 3	1	43.990/44.010	47.612/47.625	23.930	1.798	0.020/0.064	AL-LF	4407RAH	

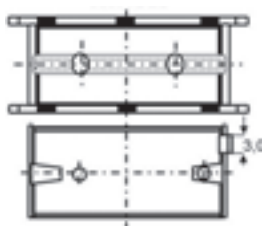
02-3978

02-3979H

4406RA



4407RAH



1119	69.00	Petrol
EA140 [42]	JJ565 = PA349 22.00x16.00x2.000mm 	NF856 32.00x44.00x6.00mm, FPM
	JJ565	

[42] Supplementary Article/Supplementary Info:
with gaskets/seals

[42] Article complémentaire /
Info complémentaire: avec joints

[42] Artículo complementario/Información
complementaria: con juntas

[42] Articolo complementare/Info
integrativa: con guarnizioni

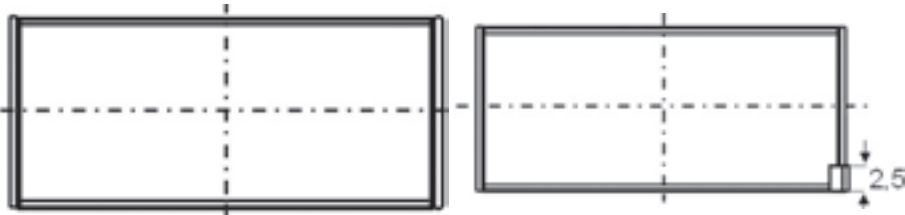
1120	69.00	Petrol				
D7F 744	4 Cyl.	9.6:1	1149cc	43kW (58)PS	TD17266	365
KANGOO	08/97→	THALIA	02/98→10/03			

	08-104100-00 STD 08-104105-00 0.25mm 08-104107-00 0.50mm 1.50 CR P 1.50 P 2.50 CR P		

BE/PL	4	39.984/40.000	43.639/43.650	16.250	1.810	0.020/0.065	AL-LF	01-3977	01-3977/4 STD 0.25 0.50
BE/PL	4	39.984/40.000	43.639/43.650	16.250	1.813	0.070/0.065	AL-LF	4405RA	01-4161/4 STD



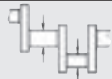







01-3977

4405RA

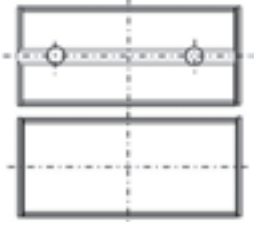


...Continued

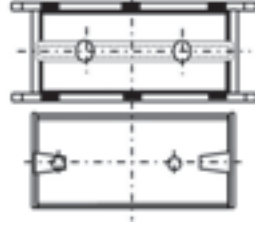
1120  **69.00** **Petrol**

									
MB/HL 1,2,4,5	4	43.990/44.010	47.612/47.625	18.800	1.795	0.006/0.064	AL-LF	02-3978	H097/5 STD
MB/HL 3	1	43.990/44.010	47.612/47.625	23.900	1.795	0.006/0.064	AL-LF	02-3979H	
MB/HL 1,2,4,5	4	43.990/44.010	47.612/47.625	18.800	1.798	0.020/0.064	AL-LF	4406RA	H1099/5 STD
MB/HL 3	1	43.990/44.010	47.612/47.625	23.930	1.798	0.020/0.064	AL-LF	4407RAH	

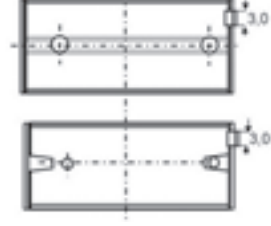
02-3978



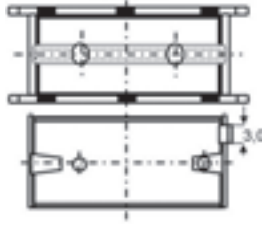
02-3979H






4406RA




4407RAH



		
---	---	---

 EA140 [42]
 EG7950

JJ565
=PA349
22.00x16.00x2.000mm

NF856  32.00x44.00x6.00mm, FPM



JJ565

[42] Supplementary Article/Supplementary Info:
with gaskets/seals

[42] Article complémentaire /
Info complémentaire: avec joints

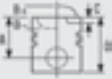






[42] Artículo complementario/Información
complementaria: con juntas

[42] Articolo complementare/Info
integrativa: con guarnizioni

1121  **69.00** **Petrol** 

D7F 764 4 Cyl. 9.6:1 1149cc **43kW (58)PS** **TD20903** **366**

CLIO 09/98 → **KANGOO** 07/98 → 07/01

			
	<p>08-104100-00 STD 08-104105-00 0.25mm 08-104107-00 0.50mm</p> <p>1.50  CR P 1.50  P 2.50  CR P</p>		

1121



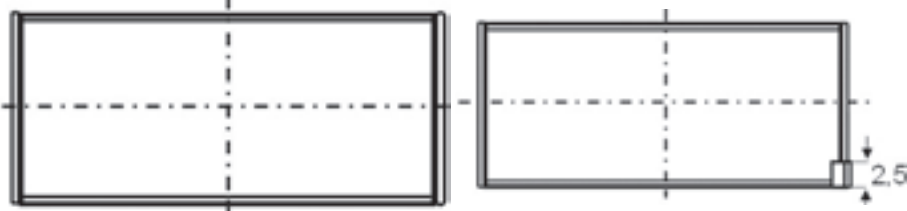
69.00

Petrol

BE/PL	4	39.984/40.000	43.639/43.650	16.250	1.810	0.020/0.065	AL-LF	01-3977	01-3977/4 STD 0.25 0.50
BE/PL	4	39.984/40.000	43.639/43.650	16.250	1.813	0.070/0.065	AL-LF	4405RA	01-4161/4 STD

01-3977

4405RA

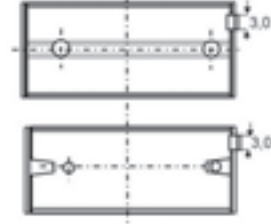
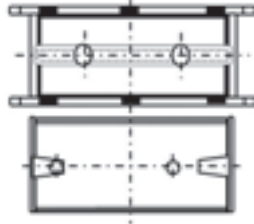
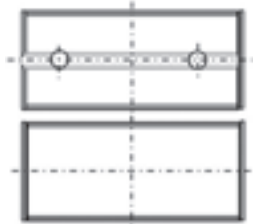


MB/HL 1,2,4,5	4	43.990/44.010	47.612/47.625	18.800	1.795	0.006/0.064	AL-LF	02-3978	H097/5 STD
MB/HL 3	1	43.990/44.010	47.612/47.625	23.900	1.795	0.006/0.064	AL-LF	02-3979H	
MB/HL 1,2,4,5	4	43.990/44.010	47.612/47.625	18.800	1.798	0.020/0.064	AL-LF	4406RA	H1099/5 STD
MB/HL 3	1	43.990/44.010	47.612/47.625	23.930	1.798	0.020/0.064	AL-LF	4407RAH	

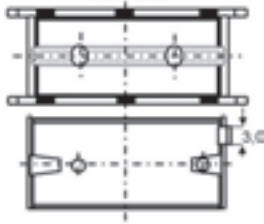
02-3978

02-3979H

4406RA



4407RAH



--	--	--	--

EA140 [42]

JJ565

NF856 32.00x44.00x6.00mm, FPM



JJ565

[42] Supplementary Article/Supplementary Info:
with gaskets/seals

[42] Article complémentaire /
Info complémentaire: avec joints

[42] Artículo complementario/Información
complementaria: con juntas

[42] Articolo complementare/Info
integrativa: con guarnizioni

1122



70.00

Petrol



688.01	4 Cyl.	9:1	1108cc	25-39kW (34-53)PS	TD22490	369
8	11/62→10/72	10	05/66→10/72	ESTAFETTE	02/62→12/81	

<p>87-334600-00 STD</p> <p>A 40.00 D 68.00 18x62</p>	<p>08-334600-00 STD</p> <p>1.75 CR P 2.00 P 3.50 CR [26]</p>	<p>14-636730-00 WH B 75.50 C 135.00 D 85.70 E 94.80</p> <p>14-635060-00 WH B 75.50 C 135.00 D 86.00 E 94.80</p>	<p>89-334600-00 87-334600-00 + 14-636730-00</p>

[26] Steel

[26] Acier

[26] Acciaio

[26] Acero

BE/PL	4	43.964/43.980	47.614/47.625	20.750	1.810	0.022/0.074	AL-LF	2950RA	01-4137/4 STD 0.25 0.50 0.75
MB/HL 1-5	5	54.785/54.805	58.731/58.750	19.500	1.950	0.026/0.090	AL-LF	62013RA	H1042/5 STD 0.25 0.50 0.75
MB/HL 1,3	2	45.990/46.000	49.874/49.890	24.500	1.932	0.020/0.061	AL-LF	62011RA	H1107/5 STD 0.25 0.50 0.75
MB/HL 2,4,5	3	45.990/46.000	49.874/49.890	19.500	1.932	0.020/0.061	AL-LF	62012RA	
TW/A	2	60.500/60.750	79.750/80.000		2.850		AL-LF	60476BF	A195/2 STD 0.10

--	--	--

NF834 35.00x50.00x8.00mm, FPM

1123



70.00

Petrol



688.03	4 Cyl.	9:1	1108cc	25-39kW (34-53)PS	TD22492
688.11	4 Cyl.	8.3-9.5	1108cc	25-39kW (34-53)PS	TD28180

<p>87-334600-00 STD</p> <p>A 40.00 D 68.00 18x62</p>	<p>08-334600-00 STD</p> <p>1.75 CR P 2.00 P 3.50 CR [26]</p>	<p>14-636730-00 WH B 75.50 C 135.00 D 85.70 E 94.80</p> <p>14-635060-00 WH B 75.50 C 135.00 D 86.00 E 94.80</p>	

[26] Steel [26] Acier [26] Acciaio [26] Acero

BE/PL	4	43.964/43.980	47.614/47.625	20.750	1.810	0.022/0.074	AL-LF	2950RA	01-4137/4 STD 0.25 0.50 0.75
MB/HL 1-5	5	54.785/54.805	58.731/58.750	19.500	1.950	0.026/0.090	AL-LF	62013RA	H1042/5 STD 0.25 0.50 0.75
MB/HL 1,3	2	45.990/46.000	49.874/49.890	24.500	1.932	0.020/0.061	AL-LF	62011RA	H1107/5 STD 0.25 0.50 0.75
MB/HL 2,4,5	3	45.990/46.000	49.874/49.890	19.500	1.932	0.020/0.061	AL-LF	62012RA	
TW/A	2	60.500/60.750	79.750/80.000		2.850		AL-LF	60476BF	A195/2 STD 0.10

--	--	--

NF835 80.00x100.00x8.00mm, FPM/ACM

1124	70.00	Petrol				
688 711	4 Cyl.	9.25:1	1108cc	33kW (45)PS	TD3014	371
688 712	4 Cyl.		1108cc	25kW (34)PS	TD3015	371
688 713	4 Cyl.	9.5:1	1108cc	33kW (45)PS	TD3013	372
688.10	4 Cyl.	9.5:1	1108cc	25-39kW (34-53)PS	TD21382	370
4	10/76→06/90	5	09/80→12/85	6	08/70→04/87	
RODEO 5	11/81→12/87	RODEO 6	08/73→11/81			

87-334600-00 STD	08-334600-00 STD	14-636730-00 WH B 75.50 C 135.00 D 85.70 E 94.80	89-334600-00 87-334600-00 + 14-636730-00
A 40.00 D 68.00 18x62	1.75 CR P 2.00 P 3.50 CR [26]		
		14-635060-00 WH B 75.50 C 135.00 D 86.00 E 94.80	

[26] Steel [26] Acier [26] Acciaio [26] Acero

BE/PL	4	43.964/43.980	47.614/47.625	20.750	1.810	0.022/0.074	AL-LF	2950RA	01-4137/4 STD 0.25 0.50 0.75
MB/HL 1-5	5	54.785/54.805	58.731/58.750	19.500	1.950	0.026/0.090	AL-LF	62013RA	H1042/5 STD 0.25 0.50 0.75
MB/HL 1,3	2	45.990/46.000	49.874/49.890	24.500	1.932	0.020/0.061	AL-LF	62011RA	H1107/5 STD 0.25 0.50 0.75
MB/HL 2,4,5	3	45.990/46.000	49.874/49.890	19.500	1.932	0.020/0.061	AL-LF	62012RA	
TW/A	2	60.500/60.750	79.750/80.000		2.850		AL-LF	60476BF	A195/2 STD 0.10

		NF835 80.00x100.00x8.00mm, FPM/ACM

1125

70.00

Petrol



688 02

4 Cyl.

9:1

1108cc

41kW (55)PS



TD3012

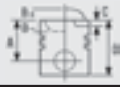
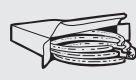





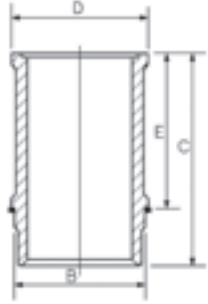
370

<p>87-334600-00 STD</p> <p>A 40.00 D 68.00 18x62</p>	<p>08-334600-00 STD</p> <p>1.75 CR P 2.00 P 3.50 CR [26]</p>	<p>14-636730-00 WH B 75.50 C 135.00 D 85.70 E 94.80</p> <p>14-635060-00 WH B 75.50 C 135.00 D 86.00 E 94.80</p>	<p>89-334600-00 87-334600-00 + 14-636730-00</p>



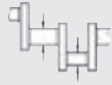







[26] Steel [26] Acier [26] Acciaio [26] Acero



BE/PL	4	43.964/43.980	47.614/47.625	20.750	1.810	0.022/0.074	AL-LF	2950RA	01-4137/4 STD 0.25 0.50 0.75
MB/HL 1-5	5	54.785/54.805	58.731/58.750	19.500	1.950	0.026/0.090	AL-LF	62013RA	H1042/5 STD 0.25 0.50 0.75
MB/HL 1,3	2	45.990/46.000	49.874/49.890	24.500	1.932	0.020/0.061	AL-LF	62011RA	H1107/5 STD 0.25 0.50 0.75
MB/HL 2,4,5	3	45.990/46.000	49.874/49.890	19.500	1.932	0.020/0.061	AL-LF	62012RA	
TW/A	2	60.500/60.750	79.750/80.000		2.850		AL-LF	60476BF	A195/2 STD 0.10

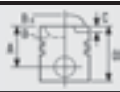
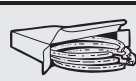

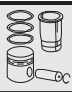



1126  **70.00** **Petrol** 
688 13 4 Cyl. 8.5:1 1108cc **33kW (45)PS** **TD23801**

			
	08-334600-00 STD 1.75  CR P 2.00  P 3.50  CR [26]	14-635060-00 WH B 75.50 C 135.00 D 86.00 E 94.80 14-636730-00 WH B 75.50 C 135.00 D 85.70 E 94.80 	











[26] Steel [26] Acier [26] Acciaio [26] Acero

									
BE/PL	4	43.964/43.980	47.614/47.625	20.750	1.810	0.022/0.074	AL-LF	2950RA	01-4137/4 STD 0.25 0.50 0.75
MB/HL 1-5	5	54.785/54.805	58.731/58.750	19.500	1.950	0.026/0.090	AL-LF	62013RA	H1042/5 STD 0.25 0.50 0.75
MB/HL 1,3	2	45.990/46.000	49.874/49.890	24.500	1.932	0.020/0.061	AL-LF	62011RA	H1107/5 STD 0.25 0.50 0.75
MB/HL 2,4,5	3	45.990/46.000	49.874/49.890	19.500	1.932	0.020/0.061	AL-LF	62012RA	
TW/A	2	60.500/60.750	79.750/80.000		2.850		AL-LF	60476BF	A195/2 STD 0.10








1127  **70.00** **Petrol** 
C1E 688 4 Cyl. 8.5:1 1108cc **25kW (34)PS** **TD24999** **373**

			
	08-332200-00 STD 2.00  CR P 2.00  P 3.50  CR [26]		

[26] Steel [26] Acier [26] Acciaio [26] Acero

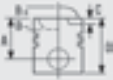




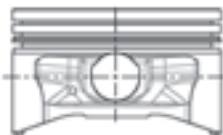



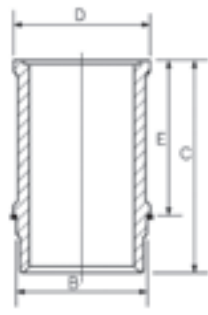
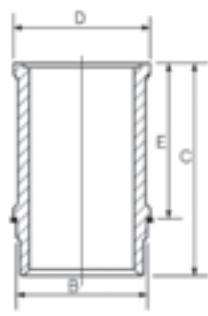
									
BE/PL	4	43.964/43.980	47.614/47.625	20.750	1.810	0.022/0.074	AL-LF	2950RA	01-4137/4 STD 0.25 0.50 0.75
MB/HL 1-5	5	54.785/54.805	58.731/58.750	19.500	1.950	0.026/0.090	AL-LF	62013RA	H1042/5 STD 0.25 0.50 0.75
TW/A	2	60.500/60.750	79.750/80.000		2.850		AL-LF	60476BF	A195/2 STD 0.10

1127  **70.00** **Petrol**



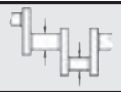
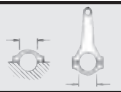







		
EH680	HC354 	NF834  35.00x50.00x8.00mm, FPM NF722  35.00x50.00x10.00mm, MVQ NF835  80.00x100.00x8.00mm, FPM/ACM
HC354		

1128  **70.00** **Petrol** 









C1E 700	4 Cyl.	8.5:1	1108cc	35kW (47)PS	TD3100	374
C1E 756	4 Cyl.	8.8:1	1108cc	33kW (45)PS	TD3109	374
CLIO	01/91 → 09/98	RAPID	06/87 → 09/91	SUPER 5	01/86 → 03/95	



			
87-334600-00 STD	08-334600-00 STD	14-636730-00 WH B 75.50 C 135.00 D 85.70 E 94.80	89-334600-00 87-334600-00 + 14-636730-00
A 40.00 D 68.00  18x62 	1.75  CR P 2.00  P 3.50  CR [26]		
		14-635060-00 WH B 75.50 C 135.00 D 86.00 E 94.80 	




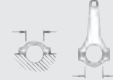






[26] Steel [26] Acier [26] Acciaio [26] Acero








										
BE/PL	4	43.964/43.980	47.614/47.625	20.750	1.810	0.022/0.074	AL-LF	2950RA	01-4137/4 STD 0.25 0.50 0.75	
MB/HL 1-5	5	54.785/54.805	58.731/58.750	19.500	1.950	0.026/0.090	AL-LF	62013RA	H1042/5 STD 0.25 0.50 0.75	
TW/A	2	60.500/60.750	79.750/80.000		2.850		AL-LF	60476BF	A195/2 STD 0.10	

...Continued

1128  70.00 Petrol		
		
EH680	HC354  =PA349 22.00x16.00x2.000mm HC354	NF834  35.00x50.00x8.00mm, FPM NF722  35.00x50.00x10.00mm, MVQ NF835  80.00x100.00x8.00mm, FPM/ACM

1129  70.00 Petrol 					
C1E 714	4 Cyl.	8.8:1	1108cc	25kW (34)PS	TD3101 375
4	10/76→06/90				

									
BE/PL	4	43.964/43.980	47.614/47.625	20.750	1.810	0.022/0.074	AL-LF	2950RA	01-4137/4 STD 0.25 0.50 0.75
MB/HL 1-5	5	54.785/54.805	58.731/58.750	19.500	1.950	0.026/0.090	AL-LF	62013RA	H1042/5 STD 0.25 0.50 0.75
TW/A	2	60.500/60.750	79.750/80.000		2.850		AL-LF	60476BF	A195/2 STD 0.10

		
	HC354  =KJ647 18.30x24.00x2.000mm HC354	NF834  35.00x50.00x8.00mm, FPM NF722  35.00x50.00x10.00mm, MVQ NF835  80.00x100.00x8.00mm, FPM/ACM

RENAULT/DACIA

1130

70.00
Petrol


C1E 715	4 Cyl.	9:1	1108cc	35kW (47)PS	TD3102	376
C1E 750	4 Cyl.	9.5:1	1108cc	33-34kW (45-46)PS	TD3106	376
C1E 752	4 Cyl.	9.5:1	1108cc	33-34kW (45-46)PS	TD3107	376
C1E 754	4 Cyl.	8.8:1	1108cc	33-34kW (45-46)PS	TD3108	376
C1E 760	4 Cyl.	8.8:1	1108cc	33kW (45)PS	TD3110	376
C1E 762	4 Cyl.	8.8:1	1108cc	33-36kW (45-49)PS	TD3111	376
C1E 792	4 Cyl.	8.8:1	1108cc	33kW (45)PS	TD3113	376

9	09/81→05/87	11	03/83→06/86	RAPID	07/85→04/95
SUPER 5	10/84→12/96				

87-334600-00	STD	08-334600-00	STD	14-636730-00 WH		89-334600-00	
A 40.00		1.75	CR P	B 75.50	C 135.00	87-334600-00 +	
D 68.00		2.00	P	D 85.70	E 94.80	14-636730-00	
18x62		3.50	CR [26]				
				14-635060-00 WH B 75.50 C 135.00 D 86.00 E 94.80 			

[26] Steel [26] Acier [26] Acciaio [26] Acero

BE/PL	4	43.964/43.980	47.614/47.625	20.750	1.810	0.022/0.074	AL-LF	2950RA	01-4137/4 STD 0.25 0.50 0.75
MB/HL 1-5	5	54.785/54.805	58.731/58.750	19.500	1.950	0.026/0.090	AL-LF	62013RA	H1042/5 STD 0.25 0.50 0.75
TW/A	2	60.500/60.750	79.750/80.000		2.850		AL-LF	60476BF	A195/2 STD 0.10

EH680	HC354 	NF834 35.00x50.00x8.00mm, FPM NF722 35.00x50.00x10.00mm, MVQ NF835 80.00x100.00x8.00mm, FPM/ACM

1131	70.00	Petrol				
C1E 718	4 Cyl.	8.8:1	1108cc	25-26kW (34-35)PS	TD3103	376
C1E 719	4 Cyl.	8.8:1	1108cc	25-26kW (34-35)PS	TD3104	376
C1E 726	4 Cyl.	9.5:1	1108cc	33kW (45)PS	TD3011	376
4	10/76→06/90	5	09/80→12/85			

BE/PL	MB/HL 1-5	TW/A	4	5	2	43.964/43.980	54.785/54.805	60.500/60.750	47.614/47.625	58.731/58.750	79.750/80.000	20.750	1.810	2.850	0.022/0.074	0.026/0.090	AL-LF	AL-LF	AL-LF	2950RA	62013RA	60476BF	01-4137/4 STD 0.25 0.50 0.75 H1042/5 STD 0.25 0.50 0.75 A195/2 STD 0.10

EH680	HC354	NF834 35.00x50.00x8.00mm, FPM NF722 35.00x50.00x10.00mm, MVQ NF835 80.00x100.00x8.00mm, FPM/ACM
	HC354	

1132	70.00	Petrol				
C1E 720	4 Cyl.	9.5:1	1108cc	35kW (47)PS	TD3105	376
9	09/81→05/87	11	03/83→06/86			

08-334600-00 STD	14-635060-00 WH B 75.50 C 135.00 D 86.00 E 94.80	14-636730-00 WH B 75.50 C 135.00 D 85.70 E 94.80
1.75		
2.00		
3.50		

[26] Steel [26] Acier [26] Acciaio [26] Acero

BE/PL	MB/HL 1-5	TW/A	4	5	2	43.964/43.980	54.785/54.805	60.500/60.750	47.614/47.625	58.731/58.750	79.750/80.000	20.750	1.810	2.850	0.022/0.074	0.026/0.090	AL-LF	AL-LF	AL-LF	2950RA	62013RA	60476BF	01-4137/4 STD 0.25 0.50 0.75 H1042/5 STD 0.25 0.50 0.75 A195/2 STD 0.10

1132	70.00	Petrol
EH680	HC354	NF834 35.00x50.00x8.00mm, FPM NF722 35.00x50.00x10.00mm, MVQ NF835 80.00x100.00x8.00mm, FPM/ACM
	HC354	

1133	70.00	Petrol	
C1E 764	4 Cyl.	8.8:1	1108cc
			36kW (49)PS
			TD3112 376








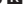
87-334600-00 STD	08-334600-00 STD	14-636730-00 WH	14-635060-00 WH
A 40.00 D 68.00 18x62	1.75 CR P 2.00 P 3.50 CR [26]	B 75.50 C 135.00 D 85.70 E 94.80	B 75.50 C 135.00 D 86.00 E 94.80

[26] Steel [26] Acier [26] Acciaio [26] Acero





BE/PL	MB/HL 1-5	TW/A							
4	5	2	43.964/43.980	47.614/47.625	20.750	1.810	0.022/0.074	AL-LF	2950RA
			54.785/54.805	58.731/58.750	19.500	1.950	0.026/0.090	AL-LF	62013RA
			60.500/60.750	79.750/80.000		2.850		AL-LF	60476BF
									01-4137/4 STD 0.25 0.50 0.75
									H1042/5 STD 0.25 0.50 0.75
									A195/2 STD 0.10

...Continued

1133  **70.00** **Petrol** 


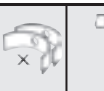
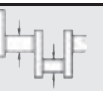
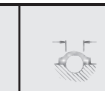
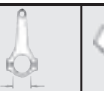



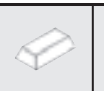

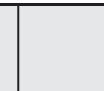
		
 EH680	HC354  HC354	NF834  35.00x50.00x8.00mm, FPM NF722  35.00x50.00x10.00mm, MVQ NF835  80.00x100.00x8.00mm, FPM/ACM


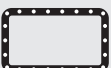



1134  **71.00** **Petrol** 

CG10DE	4 Cyl.	9.5:1	998cc	40kW (54)PS	TD22183	377
						
		NJ765  40.00x52.00x7.00mm, NBR				

1135  **71.50** **Petrol** 








C1G 700	4 Cyl.	9.25:1	1237cc	40kW (54)PS	TD3114	378
9	09/85→12/88	11	10/84→12/88			

										
BE/PL	4	43.964/43.980	47.614/47.625	17.750	1.806	0.020/0.074	AL-LF	2950RAA	01-4138/4 STD 0.25 0.50 0.75	
MB/HL 1-5	5	54.785/54.805	58.731/58.750	19.500	1.950	0.026/0.090	AL-LF	62013RA	H1042/5 STD 0.25 0.50 0.75	
TW/A	2	60.500/60.750	79.750/80.000		2.850		AL-LF	60476BF	A195/2 STD 0.10	

		
		NF722  35.00x50.00x10.00mm, MVQ NF835  80.00x100.00x8.00mm, FPM/ACM

1136  **71.50** **Petrol** 

C1G 702	4 Cyl.	9.25:1	1237cc	40kW (54)PS	TD3115	378
C1G 710	4 Cyl.	9.25:1	1237cc	40kW (54)PS	TD3116	378
C1G 720	4 Cyl.	9.25:1	1237cc	40kW (54)PS	TD3117	378
C1G 722	4 Cyl.	9.25:1	1237cc	40kW (54)PS	TD3118	378
C1G 726	4 Cyl.	9.25:1	1237cc	40kW (54)PS	TD3119	378
C1G 730	4 Cyl.	9.25:1	1237cc	40kW (54)PS	TD3120	378
9	09/85→12/88	11	10/84→12/88	19	01/88→12/95	
RAPID	09/91→08/93	SUPER 5	01/87→12/96			

			
08-105000-00 STD			
1.75	 CR P		
2.00	 P		
4.00	 CR P		

1136


71.50
Petrol

	08-335500-00 STD 1.75 CR P 2.00 P 4.00 CR [26]		

[26] Steel [26] Acier [26] Acciaio [26] Acero

BE/PL	MB/HL 1-5	TW/A	4	5	2	43.964/43.980	54.785/54.805	60.500/60.750	47.614/47.625	58.731/58.750	79.750/80.000	17.750	1.806	2.850	0.020/0.074	0.026/0.090	AL-LF	AL-LF	AL-LF	2950RAA	62013RA	60476BF	01-4138/4 STD 0.25 0.50 0.75 H1042/5 STD 0.25 0.50 0.75 A195/2 STD 0.10

		NF722 35.00x50.00x10.00mm, MVQ NF835 80.00x100.00x8.00mm, FPM/ACM

1137


73.00
Petrol


810.01 4 Cyl. 8.5:1 1289cc **26-32kW (37-44)PS** **TD8555** **379**

ESTAFETTE 08/69 → 12/81




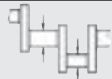











87-333400-00 STD A 37.50 D 62.50 20x64 	08-333400-10 STD 1.75 CR P 2.00 P 4.00 CR [26]	14-630440-00 WH B 78.50 C 134.00 D 88.00 E 95.00 15-636590-00 WH [34] B 78.50 C 134.00 D 87.70 E 95.00 	


[26] Steel [26] Acier [26] Acciaio [26] Acero
 [34] Includes seals [34] Inclut des joints [34] Comprende le guarnizioni [34] Incluye los sellos



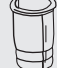



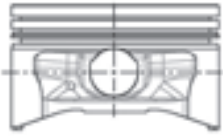
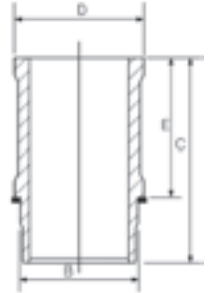
BE/PL	MB/HL 1-5	4	5	43.964/43.980	54.785/54.805	60.500/60.750	47.614/47.625	58.731/58.750	79.750/80.000	17.750	1.806	2.850	0.020/0.074	0.026/0.090	AL-LF	AL-LF	2950RAA	62013RA	01-4138/4 STD 0.25 0.50 0.75 H1042/5 STD 0.25 0.50 0.75



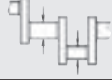













01/75 →

...Continued

1137		 73.00	Petrol							
										
MB/HL 1,3	2	45.990/46.000	49.874/49.890	24.500	1.932	0.020/0.061	AL-LF	62011RA	H1107/5 STD 0.25 0.50 0.75	
MB/HL 2,4,5	3	45.990/46.000	49.874/49.890	19.500	1.932	0.020/0.061	AL-LF	62012RA		
→12/74										
TW/A	2	60.500/60.750	79.750/80.000		2.850		AL-LF	60476BF	A195/2 STD 0.10	
01/75→										
										
NF722  35.00x50.00x10.00mm, MVQ										

1138		 73.00	Petrol							
810.02	4 Cyl.	8.5:1	1289cc	37kW (50)PS		TD3033 380				
12	07/75→04/80									

			
87-333400-00 STD	08-333400-10 STD	14-630440-00 WH B 78.50 C 134.00 D 88.00 E 95.00	
A 37.50 D 62.50  20x64	1.75 2.00 4.00  CR P P CR [26]	15-636590-00 WH [34] B 78.50 C 134.00 D 87.70 E 95.00	
			
[26] Steel	[26] Acier	[26] Acciaio	[26] Acero
[34] Includes seals	[34] Inclut des joints	[34] Comprende le guarnizioni	[34] Incluye los sellos

										
BE/PL	4	43.964/43.980	47.614/47.625	17.750	1.806	0.020/0.074	AL-LF	2950RAA	01-4138/4 STD 0.25 0.50 0.75	
MB/HL 1-5	5	54.785/54.805	58.731/58.750	19.500	1.950	0.026/0.090	AL-LF	62013RA		H1042/5 STD 0.25 0.50 0.75
TW/A	2	60.500/60.750	79.750/80.000		2.850		AL-LF	60476BF	A195/2 STD 0.10	
										
 EF380 [41][42]							NF722  35.00x50.00x10.00mm, MVQ NF634  80.00x100.00x13.00mm, MVQ			

[41] Supplementary Article/Supplementary Info 2:
With cylinder sleeve ring
[42] Supplementary Article/Supplementary Info:
with gaskets/seals

[41] Article complémentaire / Info complémentaire 2:
avec deux bagues de chemises de cylindre
[42] Article complémentaire /
Info complémentaire: avec joints

[41] Artículo complementario/ Información
complementaria 2: con segmentos para camisa
[42] Artículo complementario/Información
complementaria: con juntas

[41] Articolo complementare/Info integrativa 2:
Con anello tenuta canna cilindro
[42] Articolo complementare/Info
integrativa: con guarnizioni

1139



73.00

Petrol



810.03 4 Cyl. 8.5:1 1289cc 35kW (48)PS TD23613 381

10 07/69 → 10/72

<p>87-333400-00 STD</p> <p>A 37.50 D 62.50 20x64</p> <p style="text-align: center;"></p>	<p>08-333400-10 STD</p> <p>1.75 CR P 2.00 P 4.00 CR [26]</p>	<p>14-630440-00 WH B 78.50 C 134.00 D 88.00 E 95.00 15-636590-00 WH [34] B 78.50 C 134.00 D 87.70 E 95.00</p> <p style="text-align: center;"></p>	

[26] Steel [26] Acier [26] Acciaio [26] Acero
[34] Includes seals [34] Inclut des joints [34] Comprende le guarnizioni [34] Incluye los sellos

BE/PL	4	43.964/43.980	47.614/47.625	17.750	1.806	0.020/0.074	AL-LF	2950RAA	01-4138/4 STD 0.25 0.50 0.75	
MB/HL 1,3	2	45.990/46.000	49.874/49.890	24.500	1.932	0.020/0.061	AL-LF	62011RA	H1107/5 STD 0.25 0.50 0.75	
MB/HL 2,4,5	3	45.990/46.000	49.874/49.890	19.500	1.932	0.020/0.061	AL-LF	62012RA		

		NF834 35.00x50.00x8.00mm, FPM

1140	73.00	Petrol				
810.05	4 Cyl.	9.5:1	1289cc	31-45kW (42-61)PS	TD21386	381
810.06	4 Cyl.	9.5:1	1289cc	44kW (60)PS	TD3034	380
810-02/97	4 Cyl.	8.5:1	1289cc	40kW (54)PS	TD3032	382
810-02/-99	4 Cyl.	8.5:1	1289cc	40kW (54)PS	TD13436	383
12	10/69→08/80	15	03/72→10/80	1300	12/72→05/83	
1304	06/83→08/90	1310	05/83→07/04			

87-333400-00 STD	08-333400-10 STD	14-630440-00 WH	
A 37.50 D 62.50 20x64	1.75 CR P 2.00 P 4.00 CR [26]	B 78.50 C 134.00 D 88.00 E 95.00 15-636590-00 WH [34] B 78.50 C 134.00 D 87.70 E 95.00	

[26] Steel [26] Acier [26] Acciaio [26] Acero
 [34] Includes seals [34] Inclut des joints [34] Comprende le guarnizioni [34] Incluye los sellos

BE/PL	4	43.964/43.980	47.614/47.625	17.750	1.806	0.020/0.074	AL-LF	2950RAA	01-4138/4 STD 0.25 0.50 0.75
MB/HL 1-5	5	54.785/54.805	58.731/58.750	19.500	1.950	0.026/0.090	AL-LF	62013RA	H1042/5 STD 0.25 0.50 0.75
01/75→									
MB/HL 1,3	2	45.990/46.000	49.874/49.890	24.500	1.932	0.020/0.061	AL-LF	62011RA	H1107/5 STD 0.25 0.50 0.75
MB/HL 2,4,5	3	45.990/46.000	49.874/49.890	19.500	1.932	0.020/0.061	AL-LF	62012RA	
→12/74									
TW/A	2	60.500/60.750	79.750/80.000		2.850		AL-LF	60476BF	A195/2 STD 0.10
01/75→									

EF380 [41][42]		NF722 35.00x50.00x10.00mm, MVQ NF634 80.00x100.00x13.00mm, MVQ

[41] Supplementary Article/Supplementary Info 2: [41] Article complémentaire / Info complémentaire 2: [41] Artículo complementario/ Información complementaria 2: [41] Articolo complementare/Info integrativa 2:
 With cylinder sleeve ring avec deux bagues de chemises de cylindre complementaria 2: con segmentos para camisa Con anello tenuta canna cilindro
 [42] Supplementary Article/Supplementary Info: [42] Article complémentaire / Info complémentaire: avec joints [42] Artículo complementario/Información complementaria: con juntas [42] Articolo complementare/Info integrativa: con guarnizioni
 with gaskets/seals

1141



73.00

Petrol



810.10	4 Cyl.	9.5:1	1289cc	44kW (60)PS	TD21387
810.25	4 Cyl.	9.5:1	1289cc	31-50kW (42-68)PS	TD22391
810.26	4 Cyl.	9.5:1	1289cc	31-50kW (42-68)PS	TD22392

87-333400-00 STD A 37.50 D 62.50 20x64	08-333400-10 STD 1.75 CR P 2.00 P 4.00 CR [26]	14-630440-00 WH B 78.50 C 134.00 D 88.00 E 95.00 15-636590-00 WH [34] B 78.50 C 134.00 D 87.70 E 95.00 	

[26] Steel [26] Acier [26] Acciaio [26] Acero
 [34] Includes seals [34] Inclut des joints [34] Comprende le guarnizioni [34] Incluye los sellos

BE/PL	4	43.964/43.980	47.614/47.625	17.750	1.806	0.020/0.074	AL-LF	2950RAA	01-4138/4 STD 0.25 0.50 0.75
MB/HL 1-5	5	54.785/54.805	58.731/58.750	19.500	1.950	0.026/0.090	AL-LF	62013RA	H1042/5 STD 0.25 0.50 0.75
01/75 →									
MB/HL 1,3	2	45.990/46.000	49.874/49.890	24.500	1.932	0.020/0.061	AL-LF	62011RA	H1107/5 STD 0.25 0.50 0.75
MB/HL 2,4,5	3	45.990/46.000	49.874/49.890	19.500	1.932	0.020/0.061	AL-LF	62012RA	
→12/74									
TW/A	2	60.500/60.750	79.750/80.000		2.850		AL-LF	60476BF	A195/2 STD 0.10
01/75 →									

1142



73.00

Petrol



810.96	4 Cyl.	9.6:1	1289cc	49kW (67)PS	TD3039
810.97	4 Cyl.	9.6:1	1289cc	41kW (55)PS	TD3040

	<p>08-333400-10 STD</p> <p>1.75 CR P</p> <p>2.00 P</p> <p>4.00 CR [26]</p>	<p>14-630440-00 WH</p> <p>B 78.50 C 134.00 D 88.00 E 95.00</p> <p>15-636590-00 WH [34]</p> <p>B 78.50 C 134.00 D 87.70 E 95.00</p> <div style="text-align: center;"> </div>	

[26] Steel

[26] Acier

[26] Acciaio

[26] Acero

[34] Includes seals

[34] Inclut des joints

[34] Comprende le guarnizioni

[34] Incluye los sellos

BE/PL	4	43.964/43.980	47.614/47.625	17.750	1.806	0.020/0.074	AL-LF	2950RAA	01-4138/4 STD 0.25 0.50 0.75
MB/HL 1-5	5	54.785/54.805	58.731/58.750	19.500	1.950	0.026/0.090	AL-LF	62013RA	H1042/5 STD 0.25 0.50 0.75
01/75 →									
MB/HL 1,3	2	45.990/46.000	49.874/49.890	24.500	1.932	0.020/0.061	AL-LF	62011RA	H1107/5 STD 0.25 0.50 0.75
MB/HL 2,4,5	3	45.990/46.000	49.874/49.890	19.500	1.932	0.020/0.061	AL-LF	62012RA	
→12/74									
TW/A	2	60.500/60.750	79.750/80.000		2.850		AL-LF	60476BF	A195/2 STD 0.10
01/75 →									

1143



73.00

Petrol



810 719	4 Cyl.	8.2:1	1289cc	33kW (45)PS	TD3035	384
810 725	4 Cyl.	9.5:1	1289cc	40kW (54)PS	TD3036	384
810 726	4 Cyl.	9.5:1	1289cc	32kW (44)PS	TD3037	384
810 729	4 Cyl.	9.5:1	1289cc	40kW (54)PS	TD3038	384

5 09/75→09/84 RODEO 5 07/81→02/84

87-333400-00 STD A 37.50 D 62.50 20x64		08-333400-10 STD 1.75 CR P 2.00 P 4.00 CR [26]	14-630440-00 WH B 78.50 C 134.00 D 88.00 E 95.00 15-636590-00 WH [34] B 78.50 C 134.00 D 87.70 E 95.00

[26] Steel [26] Acier [26] Acciaio [26] Acero
 [34] Includes seals [34] Inclut des joints [34] Comprende le guarnizioni [34] Incluye los sellos

BE/PL	4	43.964/43.980	47.614/47.625	17.750	1.806	0.020/0.074	AL-LF	2950RAA	01-4138/4 STD 0.25 0.50 0.75
MB/HL 1-5	5	54.785/54.805	58.731/58.750	19.500	1.950	0.026/0.090	AL-LF	62013RA	H1042/5 STD 0.25 0.50 0.75
TW/A	2	60.500/60.750	79.750/80.000		2.850		AL-LF	60476BF	A195/2 STD 0.10

	HC354 =KJ647 18.30x24.00x2.000mm HC354	NF835 80.00x100.00x8.00mm, FPM/ACM

1144


74.00
Petrol


C3G 700	4 Cyl.	9.2:1	1239cc	40kW (54)PS	TD3172	385
C3G 702	4 Cyl.	9.2:1	1239cc	40kW (54)PS	TD5515	385
TWINGO 03/93→10/96						

87-337300-00 STD A 40.05 D 61.00 18x62	08-337300-00 STD 1.50 CR P 1.75 P 3.00 P	14-630120-00 WH B 78.60 C 135.00 D 88.20 E 94.90 	89-337300-00 87-337300-00 + 14-630120-00

BE/PL	4	43.964/43.980	47.614/47.625	20.750	1.810	0.022/0.074	AL-LF	2950RA	01-4137/4 STD 0.25 0.50 0.75
MB/HL 1-5	5	54.785/54.805	58.731/58.750	19.500	1.950	0.026/0.090	AL-LF	62013RA	H1042/5 STD 0.25 0.50 0.75
TW/A	2	60.500/60.750	79.750/80.000		2.850		AL-LF	60476BF	A195/2 STD 0.10

--	--	--

EV190 [41][42]

NF722 35.00x50.00x10.00mm, MVQ
NF835 80.00x100.00x8.00mm, FPM/ACM

[41] Supplementary Article/Supplementary Info 2:
With cylinder sleeve ring

[42] Supplementary Article/Supplementary Info:
with gaskets/seals

[41] Article complémentaire / Info complémentaire 2:
avec deux bagues de chemises de cylindre

[42] Article complémentaire /
Info complémentaire: avec joints

[41] Artículo complementario/ Información
complementaria 2: con segmentos para camisa

[42] Artículo complementario/Información
complementaria: con juntas

[41] Articolo complementare/Info integrativa 2:
Con anello tenuta canna cilindro

[42] Articolo complementare/Info
integrativa: con guarnizioni

1145



74.00

Petrol



C3G 710	4 Cyl.	9.2:1	1239cc	40kW (54)PS	TD3173	385
C3G 712	4 Cyl.	9.2:1	1239cc	40kW (54)PS	TD16545	385
C3G 750	4 Cyl.	9.2:1	1239cc	40kW (54)PS	TD22356	386

RAPID 09/91 → 03/98

87-337300-00 STD A 40.05 D 61.00 18x62	08-337300-00 STD 1.50 CR P 1.75 P 3.00 P	14-630120-00 WH B 78.60 C 135.00 D 88.20 E 94.90 	89-337300-00 87-337300-00 + 14-630120-00

BE/PL	4	43.964/43.980	47.614/47.625	20.750	1.810	0.022/0.074	AL-LF	2950RA	01-4137/4 STD 0.25 0.50 0.75
MB/HL 1-5	5	54.785/54.805	58.731/58.750	19.500	1.950	0.026/0.090	AL-LF	62013RA	H1042/5 STD 0.25 0.50 0.75
TW/A	2	60.500/60.750	79.750/80.000		2.850		AL-LF	60476BF	A195/2 STD 0.10

--	--	--

EV190 [41][42]

NF834 35.00x50.00x8.00mm, FPM
NF835 80.00x100.00x8.00mm, FPM/ACM

[41] Supplementary Article/Supplementary Info 2:
With cylinder sleeve ring
[42] Supplementary Article/Supplementary Info:
with gaskets/seals

[41] Article complémentaire / Info complémentaire 2:
avec deux bagues de chemises de cylindre
[42] Article complémentaire /
Info complémentaire: avec joints

[41] Artículo complementario/ Información
complementaria 2: con segmentos para camisa
[42] Artículo complementario/Información
complementaria: con juntas

[41] Articolo complementare/Info integrativa 2:
Con anello tenuta canna cilindro
[42] Articolo complementare/Info
integrativa: con guarnizioni

1146	74.00	Petrol				
C3G 720	4 Cyl.	9.2:1	1239cc	40kW (54)PS	TD14314	385
CLIO	06/94→02/98					

87-337300-00 STD	08-337300-00 STD	14-630120-00 WH B 78.60 C 135.00 D 88.20 E 94.90	89-337300-00 87-337300-00 + 14-630120-00
A 40.05 D 61.00 18x62	1.50 CR P 1.75 P 3.00 P		

BE/PL	4	43.964/43.980	47.614/47.625	20.750	1.810	0.022/0.074	AL-LF	2950RA	01-4137/4 STD 0.25 0.50 0.75
MB/HL 1-5	5	54.785/54.805	58.731/58.750	19.500	1.950	0.026/0.090	AL-LF	62013RA	H1042/5 STD 0.25 0.50 0.75
TW/A	2	60.500/60.750	79.750/80.000		2.850		AL-LF	60476BF	A195/2 STD 0.10

EV190 [41][42]	PA349 22.00x16.00x2.000mm	NF834 35.00x50.00x8.00mm, FPM NF835 80.00x100.00x8.00mm, FPM/ACM	
[41] Supplementary Article/Supplementary Info 2: With cylinder sleeve ring	[41] Article complémentaire / Info complémentaire 2: avec deux bagues de chemises de cylindre	[41] Artículo complementario/ Información complementaria 2: con segmentos para camisa	[41] Articolo complementare/Info integrativa 2: Con anello tenuta canna cilindro
[42] Supplementary Article/Supplementary Info: with gaskets/seals	[42] Article complémentaire / Info complémentaire: avec joints	[42] Artículo complementario/Información complementaria: con juntas	[42] Articolo complementare/Info integrativa: con guarnizioni

1147	75.00	Petrol				
129	4 Cyl.	9.3:1	1218cc	42-43kW (57-58)PS	TD3007	387
14	05/76→12/83					

	08-334200-00 STD 08-334207-00 0.50mm	15-636700-00 WH [34] B 79.50 C 122.00 D 89.20 E 82.50	
	1.75 CR P 2.00 P 4.00 CR [26]		

[26] Steel [26] Acier [26] Acciaio [26] Acero
 [34] Includes seals [34] Inclut des joints [34] Comprende le guarnizioni [34] Incluye los sellos

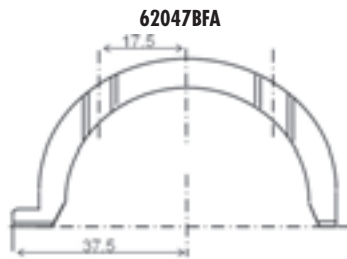
1147



75.00

Petrol

BE/PL	4	44.975/44.991	48.655/48.671	19.750	1.820	0.024/0.081	AL-LF	62045RA	01-4173/4 STD 0.30 0.50		
MB/HL 2,4	2	49.965/49.981	53.655/53.674	17.290	1.832	0.020/0.070	AL-LF	62046RA	H996/5 STD 0.30 0.50		
MB/HL 1,3,5	3	49.965/49.981	53.655/53.674	17.290	1.832	0.020/0.070	AL-LF	62047RA			
TW/A	2	55.250/55.500	71.450/71.700		2.350		BS	62047BF	A202/2 STD 0.15		
→03/81											
TW/A	2	55.250/55.500	71.450/71.700		2.450		BS	62047BFA	A203/2 STD 0.10		
04/81→											



NF834 35.00x50.00x8.00mm, FPM
NF641 78.00x100.00x10.00mm, MVQ

1148

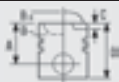


75.00

Petrol



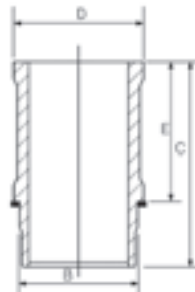
150	4 Cyl.	9.3:1	1360cc	51-52kW (70-71)PS	TD3008	388
14	09/79→06/83					



08-334200-00 STD
08-334207-00 0.50mm

1.75 CR P
2.00 P
4.00 CR [26]

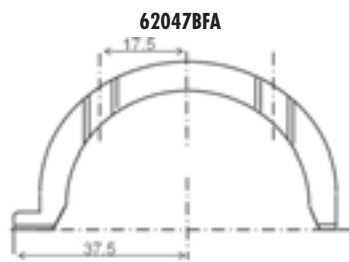
14-636600-00 WH
B 79.50 C 134.50 D 89.20 E 90.00



[26] Steel [26] Acier [26] Acciaio [26] Acero

...Continued

1148		75.00		Petrol							
BE/PL	4	44.975/44.991	48.655/48.671	19.750	1.820	0.024/0.081	AL-LF	62045RA	01-4173/4 STD 0.30 0.50		
MB/HL 2,4	2	49.965/49.981	53.655/53.674	17.290	1.832	0.020/0.070	AL-LF	62046RA	H996/5 STD 0.30 0.50		
MB/HL 1,3,5	3	49.965/49.981	53.655/53.674	17.290	1.832	0.020/0.070	AL-LF	62047RA			
TW/A	2	55.250/55.500	71.450/71.700		2.350		BS	62047BF	A202/2 STD 0.15		
→03/81											
TW/A	2	55.250/55.500	71.450/71.700		2.450		BS	62047BFA	A203/2 STD 0.10		
04/81→											



EH950 [41][42]	PA349 22.00x16.00x2.00mm	NF678 35.00x50.00x8.00mm, ACM NF641 78.00x100.00x10.00mm, MVQ
[41] Supplementary Article/Supplementary Info 2: With cylinder sleeve ring	[41] Article complémentaire / Info complémentaire 2: avec deux bagues de chemises de cylindre	[41] Artículo complementario/ Información complementaria 2: con segmentos para camisa
[42] Supplementary Article/Supplementary Info: with gaskets/seals	[42] Article complémentaire / Info complémentaire: avec joints	[42] Artículo complementario/Información complementaria: con juntas
		[41] Articolo complementare/Info integrativa 2: Con anello tenuta canna cilindro
		[42] Articolo complementare/Info integrativa: con guarnizioni

1149		75.00		Petrol							
X5J	4 Cyl.	1360cc	44kW (60)PS	TD3434 389							
14	12/81→12/83										

				08-334200-00 STD 08-334207-00 0.50mm		
				1.75 CR P 2.00 P 4.00 CR [26]		
[26] Steel	[26] Acier	[26] Acciaio	[26] Acero			

1149


75.80
Petrol

BE/PL	4	44.975/44.991	48.655/48.671	19.750	1.820	0.024/0.081	AL-LF	62045RA	01-4173/4 STD 0.30 0.50 H996/5 STD 0.30 0.50 A203/2 STD 0.10
MB/HL 2,4	2	49.965/49.981	53.655/53.674	17.290	1.832	0.020/0.070	AL-LF	62046RA	
MB/HL 1,3,5	3	49.965/49.981	53.655/53.674	17.290	1.832	0.020/0.070	AL-LF	62047RA	
TW/A	2	55.250/55.500	71.450/71.700		2.450		BS	62047BFA	

EH950 [41][42]	PA349 22.00x16.00x2.000mm	NF678 35.00x50.00x8.00mm, ACM NF641 78.00x100.00x10.00mm, MVQ

[41] Supplementary Article/Supplementary Info 2:
With cylinder sleeve ring
[42] Supplementary Article/Supplementary Info:
with gaskets/seals

[41] Article complémentaire / Info complémentaire 2:
avec deux bagues de chemises de cylindre
[42] Article complémentaire /
Info complémentaire: avec joints

[41] Artículo complementario / Información
complementaria 2: con segmentos para camisa
[42] Artículo complementario/Información
complementaria: con juntas

[41] Articolo complementare/Info integrativa 2:
Con anello tenuta canna cilindro
[42] Articolo complementare/Info
integrativa: con guarnizioni

1150


75.80
Petrol


ESF 710	4 Cyl.	8.8:1	1171cc	40-44kW (55-60)PS	TD3181	390
E7F 706	4 Cyl.	8.8:1	1171cc	55kW (75)PS	TD3194	390
E7F 750	4 Cyl.	9.25:1	1171cc	43-44kW (58-60)PS	TD3197	390

CLIO 05/90 → 09/98

[38]	08-336400-00 STD 08-336407-00 0.50mm 1.50 CR P 1.75 P 3.00 P	15-638390-00 WH [34] B 80.60 C 130.00 D 90.20 E 91.50	89-336400-00
A 35.10 B- 1.20 D 56.60 19x60			

[34] Includes seals
[38] Piston available in Kit Set only

[34] Inclut des joints
[38] Chemise disponible en kit seulement

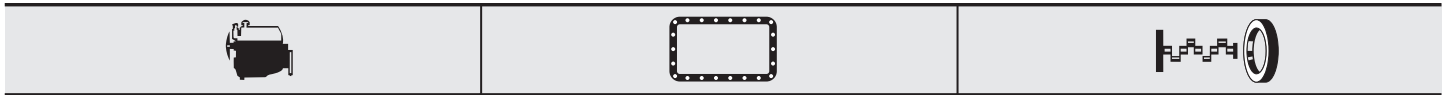
[34] Comprende le guarnizioni
[38] I pistoni sono disponibili solo in kit motore

[34] Incluye los sellos
[38] Pistón disponible en conjuntos solamente

BE/PL	4	43.964/43.980	47.614/47.625	17.750	1.806	0.020/0.074	AL-LF	2950RAA	01-4138/4 STD 0.25 0.50 0.75 A195/2 STD 0.10
TW/A	2	60.500/60.750	79.750/80.000		2.850		AL-LF	60476BF	

...Continued

1150  **75.80** **Petrol**



 ES580 [41][42]	JJ407 PA349 22.00x16.00x2.000mm 	NA5016  35.00x47.00x7.00mm, FPM/ACM NF835  80.00x100.00x8.00mm, FPM/ACM
---	--	--

[41] Supplementary Article/Supplementary Info 2: With cylinder sleeve ring
 [42] Supplementary Article/Supplementary Info: with gaskets/seals

[41] Article complémentaire / Info complémentaire 2: avec deux bagues de chemises de cylindre
 [42] Article complémentaire / Info complémentaire: avec joints

[41] Artículo complementario/ Información complementaria 2: con segmentos para camisa
 [42] Artículo complementario/Información complementaria: con juntas


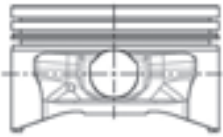

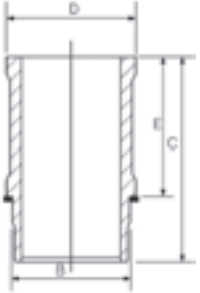

[41] Articolo complementare/Info integrativa 2: Con anello tenuta canna cilindro
 [42] Articolo complementare/Info integrativa: con guarnizioni

1151  **75.80** **Petrol** 



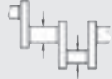








ESF 716	4 Cyl.	8.8:1	1171cc	40-44kW (55-60)PS	TD3182	391
E7F 700	4 Cyl.	9.25:1	1171cc	55kW (75)PS	TD3192	390
E7F 708	4 Cyl.	9.25:1	1171cc	43-44kW (58-60)PS	TD3195	390

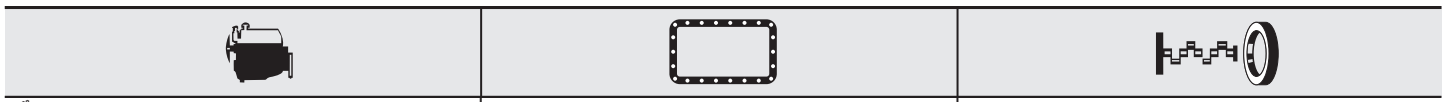
CLIO 05/90→09/98 **RAPID** 05/95→11/98



<p>[38]</p> <p>A 35.10 B- 1.20 D 56.60  19x60</p> 	<p>08-336400-00 STD 08-336407-00 0.50mm</p> <p>1.50 1.75 3.00</p>  <p>CR P P P</p>	<p>15-638390-00 WH [34] B 80.60 C 130.00 D 90.20 E 91.50</p> 	<p>89-336400-00</p> 
---	--	---	---

[34] Includes seals [38] Piston available in Kit Set only
 [34] Inclut des joints [38] Chemise disponible en kit seulment
 [34] Comprende le guarnizioni [38] I pistoni sono disponibili solo in kit motore
 [34] Incluye los sellos [38] Pistón disponible en conjuntos solamente

																
BE/PL	TW/A	4	2	43.964/43.980	60.500/60.750	47.614/47.625	79.750/80.000	17.750	1.806	2.850	0.020/0.074	AL-LF	AL-LF	2950RAA	60476BF	01-4138/4 STD 0.25 0.50 0.75 A195/2 STD 0.10



 ES580 [41][42]	JJ407 	NA5016  35.00x47.00x7.00mm, FPM/ACM NF835  80.00x100.00x8.00mm, FPM/ACM
---	---	--

[41] Supplementary Article/Supplementary Info 2: With cylinder sleeve ring
 [42] Supplementary Article/Supplementary Info: with gaskets/seals

[41] Article complémentaire / Info complémentaire 2: avec deux bagues de chemises de cylindre
 [42] Article complémentaire / Info complémentaire: avec joints

[41] Artículo complementario/ Información complementaria 2: con segmentos para camisa
 [42] Artículo complementario/Información complementaria: con juntas

[41] Articolo complementare/Info integrativa 2: Con anello tenuta canna cilindro
 [42] Articolo complementare/Info integrativa: con guarnizioni

1152



75.80

Petrol



E7F 704	4 Cyl.	9.25:1	1171cc	44kW (60)PS	TD3193	393
E7F 730	4 Cyl.	9.25:1	1171cc	46kW (63)PS	TD3196	392
19	05/92 → 09/94					

	08-336400-00 STD 08-336407-00 0.50mm 1.50 CR P 1.75 P 3.00 P	15-638390-00 WH [34] B 80.60 C 130.00 D 90.20 E 91.50 	

[34] Includes seals [34] Inclut des joints [34] Comprende le guarnizioni [34] Incluye los sellos

BE/PL	4	43.964/43.980	47.614/47.625	17.750	1.806	0.020/0.074	AL-LF	2950RAA	01-4138/4 STD 0.25 0.50 0.75
TW/A	2	60.500/60.750	79.750/80.000		2.850		AL-LF	60476BF	A195/2 STD 0.10

--	--	--

ES580 [41][42]

JJ407

NA5016 35.00x47.00x7.00mm, FPM/ACM
NF835 80.00x100.00x8.00mm, FPM/ACM



JJ407

[41] Supplementary Article/Supplementary Info 2:
With cylinder sleeve ring

[41] Article complémentaire / Info complémentaire 2:
avec deux bagues de chemises de cylindre

[41] Artículo complementario/ Información
complementaria 2: con segmentos para camisa

[41] Articolo complementare/Info integrativa 2:
Con anello tenuta canna cilindro

[42] Supplementary Article/Supplementary Info:
with gaskets/seals

[42] Article complémentaire /
Info complémentaire: avec joints

[42] Artículo complementario/Información
complementaria: con juntas

[42] Articolo complementare/Info
integrativa: con guarnizioni

1153	75.80	Petrol				
E6J 700	4 Cyl.	9.5:1	1390cc	58-59kW (79-80)PS	TD3183	390
E6J 701	4 Cyl.	9.5:1	1390cc	58-59kW (79-80)PS	TD3184	390
E6J 734	4 Cyl.	9.5:1	1390cc	43kW (58)PS	TD3189	392
19	01/88 → 12/95					

[38]	08-336400-00 STD 08-336407-00 0.50mm	15-638390-00 WH [34] B 80.60 C 130.00 D 90.20 E 91.50	89-336400-10
A 31.70 D 52.70 19x60	1.50 CR P 1.75 P 3.00 P		

[34] Includes seals [34] Inclut des joints [34] Comprende le guarnizioni [34] Incluye los sellos
 [38] Piston available in Kit Set only [38] Chemise disponible en kit seulement [38] I pistoni sono disponibili solo in kit motore [38] Pistón disponible en conjuntos solamente

BE/PL	4	43.964/43.980	47.614/47.625	17.750	1.806	0.020/0.074	AL-LF	2950RAA	01-4138/4 STD 0.25 0.50 0.75
TW/A	2	60.500/60.750	79.750/80.000		2.850		AL-LF	60476BF	A195/2 STD 0.10

ES580 [41][42]	JJ407	NA5016 35.00x47.00x7.00mm, FPM/ACM NF835 80.00x100.00x8.00mm, FPM/ACM

[41] Supplementary Article/Supplementary Info 2: With cylinder sleeve ring [41] Article complémentaire / Info complémentaire 2: avec deux bagues de chemises de cylindre [41] Artículo complementario/ Información complementaria 2: con segmentos para camisa [41] Articolo complementare/Info integrativa 2: Con anello tenuta canna cilindro
 [42] Supplementary Article/Supplementary Info: with gaskets/seals [42] Article complémentaire / Info complémentaire: avec joints [42] Artículo complementario/Información complementaria: con juntas [42] Articolo complementare/Info integrativa: con guarnizioni

1154

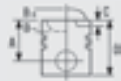






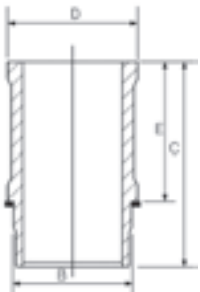
 **75.80**

Petrol



E6J 706	4 Cyl.	9.5:1	1390cc	58-59kW (79-80)PS	TD3185	392
E6J 712	4 Cyl.	8.9:1	1390cc	55-57kW (75-80)PS	TD3186	391
E6J 713	4 Cyl.	9.5:1	1390cc	55-57kW (75-80)PS	TD3187	391
E6J 718	4 Cyl.	9.5:1	1390cc	55-57kW (75-78)PS	TD3188	391
E6J 760	4 Cyl.	9.5:1	1390cc	55-57kW (75-78)PS	TD3191	392

19 10/96→06/01 **CLIO** 05/90→02/98



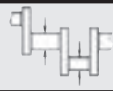
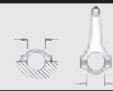






			
	<p>08-336400-00 STD</p> <p>08-336407-00 0.50mm</p> <p>1.50  CR P</p> <p>1.75  P</p> <p>3.00  P</p>	<p>15-638390-00 WH [34]</p> <p>B 80.60 C 130.00 D 90.20 E 91.50</p> 	




[34] Includes seals


[34] Inclut des joints

[34] Comprende le guarnizioni

[34] Incluye los sellos

									
BE/PL	4	43.964/43.980	47.614/47.625	17.750	1.806	0.020/0.074	AL-LF	2950RAA	01-4138/4 STD 0.25 0.50 0.75
TW/A	2	60.500/60.750	79.750/80.000		2.850		AL-LF	60476BF	A195/2 STD 0.10

		
---	---	---

 **ES580** [41][42]

JJ407

NF835  80.00x100.00x8.00mm, FPM/ACM



JJ407

[41] Supplementary Article/Supplementary Info 2:
With cylinder sleeve ring

[42] Supplementary Article/Supplementary Info:
with gaskets/seals

[41] Article complémentaire / Info complémentaire 2:
avec deux bagues de chemises de cylindre

[42] Article complémentaire /
Info complémentaire: avec joints

[41] Artículo complementario/ Información
complementaria 2: con segmentos para camisa

[42] Artículo complementario/Información
complementaria: con juntas

[41] Articolo complementare/Info integrativa 2:
Con anello tenuta canna cilindro

[42] Articolo complementare/Info
integrativa: con guarnizioni

1155

 **75.80**

Petrol



E6J 738

4 Cyl.









8.9:1

1390cc

43kW (58)PS

TD3190

394

			
<p>[38]</p> <p>A 31.70 D 52.70  19x60</p>	<p>08-336400-00 STD 08-336407-00 0.50mm</p> <p>1.50  CR P 1.75  P 3.00  P</p>	<p>15-638390-00 WH [34] B 80.60 C 130.00 D 90.20 E 91.50</p>	<p>89-336400-10</p>

[34] Includes seals

[34] Inclut des joints

[34] Comprende le guarnizioni











[34] Incluye los sellos




[38] Piston available in Kit Set only


[38] Chemise disponible en kit seulement

[38] I pistoni sono disponibili solo in kit motore

[38] Pistón disponible en conjuntos solamente

									
BE/PL	4	43.964/43.980	47.614/47.625	17.750	1.806	0.020/0.074	AL-LF	2950RAA	01-4138/4 STD 0.25 0.50 0.75
TW/A	2	60.500/60.750	79.750/80.000		2.850		AL-LF	60476BF	A195/2 STD 0.10

		
---	---	---

 **ES580** [41][42]

JJ407
=PA349
22.00x16.00x2.00mm

NF835  80.00x100.00x8.00mm, FPM/ACM



JJ407

[41] Supplementary Article/Supplementary Info 2:
With cylinder sleeve ring

[41] Article complémentaire / Info complémentaire 2:
avec deux bagues de chemises de cylindre

[41] Artículo complementario/ Información
complementaria 2: con segmentos para camisa

[41] Articolo complementare/Info integrativa 2:
Con anello tenuta canna cilindro


[42] Supplementary Article/Supplementary Info:
with gaskets/seals

[42] Article complémentaire /
Info complémentaire: avec joints

[42] Artículo complementario/Información
complementaria: con juntas

[42] Articolo complementare/Info
integrativa: con guarnizioni

1156

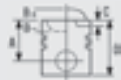


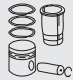
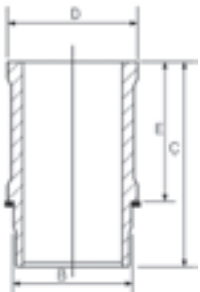
 75.80

Petrol



E7J 601	4 Cyl.	9.5:1	1390cc	58-59kW (80-80)PS	TD3198	395
E7J 710	4 Cyl.	9.5:1	1390cc	58-59kW (80-80)PS	TD3203	400
E7J 711	4 Cyl.	9.5:1	1390cc	58-59kW (80-80)PS	TD3204	400
E7J 756	4 Cyl.	9.5:1	1390cc	55kW (75)PS	TD17279	400
E7J 757	4 Cyl.	9.5:1	1390cc	55kW (75)PS	TD17282	400

CLIO 01/91→09/98



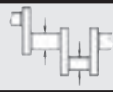
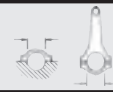






			
		<p>15-638390-00 WH [34] B 80.60 C 130.00 D 90.20 E 91.50</p> 	


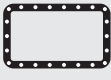




[34] Includes seals

[34] Inclut des joints

[34] Comprende le guarnizioni

[34] Incluye los sellos

									
BE/PL	4	43.964/43.980	47.614/47.625	17.750	1.806	0.020/0.074	AL-LF	2950RAA	01-4138/4 STD 0.25 0.50 0.75
TW/A	2	60.500/60.750	79.750/80.000		2.850		AL-LF	60476BF	A195/2 STD 0.10

		
<p>ES580 [41][42]</p>	<p>JJ407 =PA349 22.00x16.00x2.000mm</p>  <p>JJ407</p>	<p>NA5016  35.00x47.00x7.00mm, FPM/ACM NF835  80.00x100.00x8.00mm, FPM/ACM</p>

[41] Supplementary Article/Supplementary Info 2: With cylinder sleeve ring

[41] Article complémentaire / Info complémentaire 2: avec deux bagues de chemises de cylindre

[41] Artículo complementario/ Información complementaria 2: con segmentos para camisa

[41] Articolo complementare/Info integrativa 2: Con anello tenuta canna cilindro

[42] Supplementary Article/Supplementary Info: with gaskets/seals

[42] Article complémentaire / Info complémentaire: avec joints

[42] Artículo complementario/Información complementaria: con juntas

[42] Articolo complementare/Info integrativa: con guarnizioni

1157	75.80	Petrol				
E7J 624	4 Cyl.	9.5:1	1390cc	52kW (71)PS	TD5526	396
E7J 626	4 Cyl.	9.5:1	1390cc	55kW (75)PS	TD16362	397
E7J 634	4 Cyl.	9.5:1	1390cc	55kW (75)PS	TD17271	398
E7J 635	4 Cyl.	9.5:1	1390cc	55kW (75)PS	TD17272	398

KANGOO 08/97 → **MEGANE** 01/96 → 08/03

[38]	08-336400-00 STD 08-336407-00 0.50mm	15-638390-00 WH [34] B 80.60 C 130.00 D 90.20 E 91.50	89-336400-10
A 31.70 D 52.70 19x60	1.50 CR P 1.75 P 3.00 P		

[34] Includes seals [34] Inclut des joints [34] Comprende le guarnizioni [34] Incluye los sellos
 [38] Piston available in Kit Set only [38] Chemise disponible en kit seulement [38] I pistoni sono disponibili solo in kit motore [38] Pistón disponible en conjuntos solamente

BE/PL	4	43.964/43.980	47.614/47.625	17.750	1.806	0.020/0.074	AL-LF	2950RAA	01-4138/4 STD 0.25 0.50 0.75
TW/A	2	60.500/60.750	79.750/80.000		2.850		AL-LF	60476BF	A195/2 STD 0.10

EA150	PA349 22.00x16.00x2.00mm	NA5016 35.00x47.00x7.00mm, FPM/ACM NF835 80.00x100.00x8.00mm, FPM/ACM





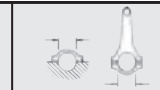










1158	75.80	Petrol				
E7J 700	4 Cyl.	9.5:1	1390cc	55-59kW (75-80)PS	TD3199	399
19	09/90 → 04/92					



		15-638390-00 WH [34] B 80.60 C 130.00 D 90.20 E 91.50	

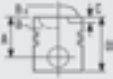
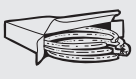
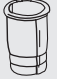

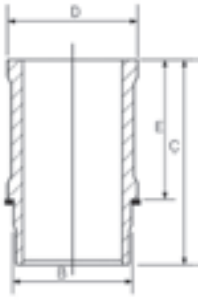
[34] Includes seals [34] Inclut des joints [34] Comprende le guarnizioni [34] Incluye los sellos

RENAULT/DACIA



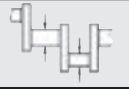












...Continued

1158		 75.80	Petrol							
										
BE/PL	4	43.964/43.980	47.614/47.625	17.750	1.806	0.020/0.074	AL-LF	2950RAA	01-4138/4 STD 0.25 0.50 0.75	
TW/A	2	60.500/60.750	79.750/80.000		2.850		AL-LF	60476BF	A195/2 STD 0.10	
										
NF835  80.00x100.00x8.00mm, FPM/ACM										

1159		 75.80	Petrol							
E7J 706	4 Cyl.	9.5:1	1390cc	55-59kW (75-80)PS				TD3200	400	
19	01/92 → 12/95									

			
		15-638390-00 WH [34] B 80.60 C 130.00 D 90.20 E 91.50	
			

[34] Includes seals [34] Inclut des joints [34] Comprende le guarnizioni [34] Incluye los sellos

										
BE/PL	4	43.964/43.980	47.614/47.625	17.750	1.806	0.020/0.074	AL-LF	2950RAA	01-4138/4 STD 0.25 0.50 0.75	
TW/A	2	60.500/60.750	79.750/80.000		2.850		AL-LF	60476BF	A195/2 STD 0.10	
										
NA5016  35.00x47.00x7.00mm, FPM/ACM NF835  80.00x100.00x8.00mm, FPM/ACM										

1160	75.80	Petrol				
E7J 707	4 Cyl.	9.5:1	1390cc	55-59kW (75-80)PS	TD3201	401
E7J 745	4 Cyl.	9.5:1	1390cc	55-59kW (75-80)PS	TD3210	405
E7J 770	4 Cyl.	9.5:1	1390cc	55-59kW (75-80)PS	TD20896	401
E7J 771	4 Cyl.	9.5:1	1390cc	55-59kW (75-80)PS	TD20897	401

		15-638390-00 WH [34] B 80.60 C 130.00 D 90.20 E 91.50	

[34] Includes seals [34] Inclut des joints [34] Comprende le guarnizioni [34] Incluye los sellos

BE/PL	4	43.964/43.980	47.614/47.625	17.750	1.806	0.020/0.074	AL-LF	2950RAA	01-4138/4 STD 0.25 0.50 0.75
TW/A	2	60.500/60.750	79.750/80.000		2.850		AL-LF	60476BF	A195/2 STD 0.10

1161	75.80	Petrol				
E7J 718	4 Cyl.	9.5:1	1390cc	58kW (79)PS	TD3205	400
E7J 719	4 Cyl.	9.5:1	1390cc	58kW (79)PS	TD3206	400
E7J 728	4 Cyl.	9.5:1	1390cc	58-59kW (79-80)PS	TD3209	404
E7J 742	4 Cyl.	9.5:1	1390cc	55kW (75)PS	TD3212	404

19 01/92→12/95 **CLIO** 01/91→09/98 **RAPID** 01/94→03/98

[38] A 31.70 D 52.70 19x60	08-336400-00 STD 08-336407-00 0.50mm 1.50 CR P 1.75 P 3.00 P	15-638390-00 WH [34] B 80.60 C 130.00 D 90.20 E 91.50	89-336400-10

[34] Includes seals [34] Inclut des joints [34] Comprende le guarnizioni [34] Incluye los sellos
 [38] Piston available in Kit Set only [38] Chemise disponible en kit seulement [38] I pistoni sono disponibili solo in kit motore [38] Pistón disponible en conjuntos solamente

1161



75.80

Petrol

BE/PL	4	43.964/43.980	47.614/47.625	17.750	1.806	0.020/0.074	AL-LF	2950RAA	01-4138/4 STD 0.25 0.50 0.75
TW/A	2	60.500/60.750	79.750/80.000		2.850		AL-LF	60476BF	A195/2 STD 0.10

--	--	--

ES580 [41][42]

JJ407
=PA349
22.00x16.00x2.000mm



JJ407

NA5016 35.00x47.00x7.00mm, FPM/ACM
NF835 80.00x100.00x8.00mm, FPM/ACM

[41] Supplementary Article/Supplementary Info 2:
With cylinder sleeve ring

[41] Article complémentaire / Info complémentaire 2:
avec deux bagues de chemises de cylindre

[41] Artículo complementario/ Información
complementaria 2: con segmentos para camisa

[41] Articolo complementare/Info integrativa 2:
Con anello tenuta canna cilindro

[42] Supplementary Article/Supplementary Info:
with gaskets/seals

[42] Article complémentaire /
Info complémentaire: avec joints

[42] Artículo complementario/Información
complementaria: con juntas

[42] Articolo complementare/Info
integrativa: con guarnizioni

1162



75.80

Petrol



E7J 720	4 Cyl.	9.5:1	1390cc	55-59kW (75-80)PS	TD3207	402
E7J 724	4 Cyl.	9.5:1	1390cc	55-59kW (75-80)PS	TD3208	403
E7J 726	4 Cyl.	9.5:1	1390cc	55-59kW (75-80)PS	TD5508	403
E7J 754	4 Cyl.	9.5:1	1390cc	55-59kW (75-80)PS	TD3211	403
E7J 773	4 Cyl.	9.5:1	1390cc	55-59kW (75-80)PS	TD3213	403

CLIO	01/91→09/98	RAPID	09/91→03/98
-------------	-------------	--------------	-------------

[38] A 31.70 D 52.70 19x60	 	 	
	08-336400-00 STD 08-336407-00 0.50mm 1.50 CR P 1.75 P 3.00 P	15-638390-00 WH [34] B 80.60 C 130.00 D 90.20 E 91.50 	89-336400-10

[34] Includes seals

[34] Inclut des joints

[34] Comprende le guarnizioni

[34] Incluye los sellos

[38] Piston available in Kit Set only







[38] Chemise disponible en kit seulement



[38] I pistoni sono disponibili solo in kit motore

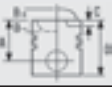







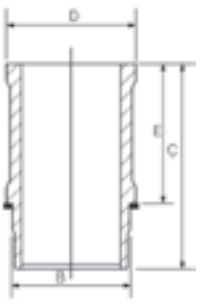
[38] Pistón disponible en conjuntos solamente

BE/PL	4	43.964/43.980	47.614/47.625	17.750	1.806	0.020/0.074	AL-LF	2950RAA	01-4138/4 STD 0.25 0.50 0.75
TW/A	2	60.500/60.750	79.750/80.000		2.850		AL-LF	60476BF	A195/2 STD 0.10

...Continued

1162	 75.80	Petrol
		
		NA5016  35.00x47.00x7.00mm, FPM/ACM NF835  80.00x100.00x8.00mm, FPM/ACM

1163	 75.80	Petrol				
E7J 764	4 Cyl.	9.5:1	1390cc	55kW (75)PS	TD4858	406
MEGANE	01/96 → 08/03					

			
[38]	08-336400-00 STD 08-336407-00 0.50mm	15-638390-00 WH [34] B 80.60 C 130.00 D 90.20 E 91.50	89-336400-10
A 31.70 D 52.70  19x60	1.50  CR P 1.75  P 3.00  P		

[34] Includes seals

[34] Inclut des joints

[34] Comprende le guarnizioni



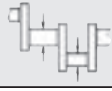
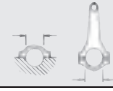






[34] Incluye los sellos







[38] Piston available in Kit Set only

[38] Chemise disponible en kit seulement

[38] I pistoni sono disponibili solo in kit motore

[38] Pistón disponible en conjuntos solamente

									
BE/PL	4	43.964/43.980	47.614/47.625	17.750	1.806	0.020/0.074	AL-LF	2950RAA	01-4138/4 STD 0.25 0.50 0.75
TW/A	2	60.500/60.750	79.750/80.000		2.850		AL-LF	60476BF	A195/2 STD 0.10

		
 EA150		NA5016  35.00x47.00x7.00mm, FPM/ACM NF835  80.00x100.00x8.00mm, FPM/ACM

1164



75.80

Petrol



E7J 780 4 Cyl. 9.5:1 1390cc 55kW (75)PS TD9623 407

CLIO 09/98→05/05 KANGOO 08/97→

<p>[38]</p> <p>A 31.70 D 52.70 19x60</p>	<p>08-336400-00 STD 08-336407-00 0.50mm</p> <p>1.50 CR P 1.75 P 3.00 P</p>	<p>15-638390-00 WH [34] B 80.60 C 130.00 D 90.20 E 91.50</p>	<p>89-336400-10</p>

[34] Includes seals

[34] Inclut des joints

[34] Comprende le guarnizioni

[34] Incluye los sellos

[38] Piston available in Kit Set only

[38] Chemise disponible en kit selement

[38] I pistoni sono disponibili solo in kit motore

[38] Pistón disponible en conjuntos solamente

<p>BE/PL 4 TW/A 2</p>	<p>43.964/43.980 60.500/60.750</p>	<p>47.614/47.625 79.750/80.000</p>	<p>17.750 2.850</p>	<p>1.806</p>	<p>0.020/0.074</p>	<p>AL-LF AL-LF</p>	<p>2950RAA 60476BF</p>	<p>01-4138/4 STD 0.25 0.50 0.75 A195/2 STD 0.10</p>		

<p>EA150 ES580 [41][42]</p> <p>[41] Supplementary Article/Supplementary Info 2: With cylinder sleeve ring [42] Supplementary Article/Supplementary Info: with gaskets/seals</p>	<p>PA349 22.00x16.00x2.000mm</p> <p>[41] Article complémentaire / Info complémentaire 2: avec deux bagues de chemises de cylindre [42] Article complémentaire / Info complémentaire: avec joints</p>	<p>NA5016 35.00x47.00x7.00mm, FPM/ACM NF835 80.00x100.00x8.00mm, FPM/ACM</p> <p>[41] Articolo complementario/ Información complementaria 2: con segmentos para camisa [42] Artículo complementario/Información complementaria: con juntas</p> <p>[41] Articolo complementare/Info integrativa 2: Con anello tenuta canna cilindro [42] Articolo complementare/Info integrativa: con guarnizioni</p>

1165



75.80

Petrol



K7J 700 4 Cyl. 9.5:1 1390cc 55kW (75)PS TD17470 408

K7J 701 4 Cyl. 9.5:1 1390cc 55kW (75)PS TD17851 408

KANGOO 08/97→ THALIA 08/00→

<p>BE/PL 4 TW/A 2</p>	<p>43.964/43.980 60.500/60.750</p>	<p>47.614/47.625 79.750/80.000</p>	<p>17.750 2.850</p>	<p>1.806</p>	<p>0.020/0.074</p>	<p>AL-LF AL-LF</p>	<p>2950RAA 60476BF</p>	<p>01-4138/4 STD 0.25 0.50 0.75 A195/2 STD 0.10</p>		

<p>EA150</p>	<p>PA349 22.00x16.00x2.000mm</p>	<p>NA5016 35.00x47.00x7.00mm, FPM/ACM NF835 80.00x100.00x8.00mm, FPM/ACM</p>

1166	76.00	Petrol				
847.99	4 Cyl.	9.3:1	1397cc	51kW (70)PS	TD3071	409
C2J 776	4 Cyl.	9.2:1	1397cc	50kW (68)PS	TD3155	425
C2J 792	4 Cyl.	9.25:1	1397cc	53kW (72)PS	TD3164	424
C2J 794	4 Cyl.	9.25:1	1397cc	46-49kW (63-67)PS	TD3165	424

BE/PL	4	43.964/43.980	47.614/47.625	17.750	1.806	0.020/0.074	AL-LF	2950RAA	01-4138/4 STD 0.25 0.50 0.75	
MB/HL 1-5	5	54.785/54.805	58.731/58.750	19.500	1.950	0.026/0.090	AL-LF	62013RA	H1042/5 STD 0.25 0.50 0.75	
TW/A	2	60.500/60.750	79.750/80.000		2.850		AL-LF	60476BF	A195/2 STD 0.10	

		NF722 35.00x50.00x10.00mm, MVQ

1167	76.00	Petrol				
840 725	4 Cyl.	10:1	1397cc	68kW (92)PS	TD3052	410
847 712	4 Cyl.	9.25:1	1397cc	42-43kW (58-59)PS	TD3068	409

5 09/77 → 09/84

BE/PL	4	43.964/43.980	47.614/47.625	17.750	1.806	0.020/0.074	AL-LF	2950RAA	01-4138/4 STD 0.25 0.50 0.75	
MB/HL 1-5	5	54.785/54.805	58.731/58.750	19.500	1.950	0.026/0.090	AL-LF	62013RA	H1042/5 STD 0.25 0.50 0.75	
TW/A	2	60.500/60.750	79.750/80.000		2.850		AL-LF	60476BF	A195/2 STD 0.10	

EF731 [41][42]	HC354 = KJ647 18.30x24.00x2.00mm	NF834 35.00x50.00x8.00mm, FPM NF835 80.00x100.00x8.00mm, FPM/ACM



HC354

[41] Supplementary Article/Supplementary Info 2:
With cylinder sleeve ring

[42] Supplementary Article/Supplementary Info:
with gaskets/seals

[41] Article complémentaire / Info complémentaire 2:
avec deux bagues de chemises de cylindre

[42] Article complémentaire /
Info complémentaire: avec joints

[41] Artículo complementario/ Información
complementaria 2: con segmentos para camisa

[42] Artículo complementario/Información
complementaria: con juntas

[41] Articolo complementare/Info integrativa 2:
Con anello tenuta canna cilindro

[42] Articolo complementare/Info
integrativa: con guarnizioni

1168


76.00
Petrol

840 726 4 Cyl. 8.6:1 1397cc **81kW (110)PS** **TD3053** **410**
5 10/81 → 01/85

BE/PL	4	43.964/43.980	47.614/47.625	17.750	1.806	0.020/0.074	AL-LF	2950RAA	01-4138/4 STD 0.25 0.50 0.75
MB/HL 1-5	5	54.785/54.805	58.731/58.750	19.500	1.950	0.026/0.090	AL-LF	62013RA	H1042/5 STD 0.25 0.50 0.75
TW/A	2	60.500/60.750	79.750/80.000		2.850		AL-LF	60476BF	A195/2 STD 0.10

--	--	--

EF731 [41][42]

NF834 35.00x50.00x8.00mm, FPM

NF835 80.00x100.00x8.00mm, FPM/ACM

 [41] Supplementary Article/Supplementary Info 2:
With cylinder sleeve ring

 [41] Article complémentaire / Info complémentaire 2:
avec deux bagues de chemises de cylindre

 [41] Artículo complementario/ Información
complementaria 2: con segmentos para camisa

 [41] Articolo complementare/Info integrativa 2:
Con anello tenuta canna cilindro

 [42] Supplementary Article/Supplementary Info:
with gaskets/seals

 [42] Article complémentaire /
Info complémentaire: avec joints

 [42] Artículo complementario/Información
complementaria: con juntas

 [42] Articolo complementare/Info
integrativa: con guarnizioni

1169


76.00
Petrol

840 730 4 Cyl. 7:1 1397cc **77kW (105)PS** **TD3054** **410**
5 06/80 → 03/85 **SUPER 5** 01/85 → 05/91

--	--	--	--	--	--	--	--	--	--

08-335600-00 STD
 1.75 MO P
 2.00 P
 4.00 CR [26]

[26] Steel

[26] Acier

[26] Acciaio

[26] Acero

BE/PL	4	43.964/43.980	47.614/47.625	17.750	1.806	0.020/0.074	AL-LF	2950RAA	01-4138/4 STD 0.25 0.50 0.75
MB/HL 1-5	5	54.785/54.805	58.731/58.750	19.500	1.950	0.026/0.090	AL-LF	62013RA	H1042/5 STD 0.25 0.50 0.75
TW/A	2	60.500/60.750	79.750/80.000		2.850		AL-LF	60476BF	A195/2 STD 0.10

--	--	--

EF731 [41][42]

HC354
-KJ647
 18.30x24.00x2.000mm

HC354
NF834 35.00x50.00x8.00mm, FPM

NF835 80.00x100.00x8.00mm, FPM/ACM

 [41] Supplementary Article/Supplementary Info 2:
With cylinder sleeve ring

 [41] Article complémentaire / Info complémentaire 2:
avec deux bagues de chemises de cylindre

 [41] Artículo complementario/ Información
complementaria 2: con segmentos para camisa

 [41] Articolo complementare/Info integrativa 2:
Con anello tenuta canna cilindro

 [42] Supplementary Article/Supplementary Info:
with gaskets/seals

 [42] Article complémentaire /
Info complémentaire: avec joints

 [42] Artículo complementario/Información
complementaria: con juntas

 [42] Articolo complementare/Info
integrativa: con guarnizioni

1170



76.00

Petrol



847 700	4 Cyl.	8.25:1	1397cc	47kW (64)PS	TD3067	411
847 701	4 Cyl.	9.25:1	1397cc	47kW (64)PS	TD3072	411

TRAFIC 03/80→04/89

<p>87-333500-00 STD</p> <p>A 37.50 D 64.00 20x67</p>	<p>08-333500-00 STD 08-333505-00 0.25mm 08-333507-00 0.50mm</p> <p>1.75 CR P 2.00 P 4.00 CR [26]</p>	<p>15-630820-00 WH [34] B 80.60 C 134.00 D 90.20 E 95.00</p>	<p>89-333500-00 87-333500-00 + 15-630820-00</p>

[26] Steel [26] Acier [26] Acciaio [26] Acero
[34] Includes seals [34] Inclut des joints [34] Comprende le guarnizioni [34] Incluye los sellos

BE/PL	4	43.964/43.980	47.614/47.625	17.750	1.806	0.020/0.074	AL-LF	2950RAA	01-4138/4 STD 0.25 0.50 0.75
MB/HL 1-5	5	54.785/54.805	58.731/58.750	19.500	1.950	0.026/0.090	AL-LF	62013RA	H1042/5 STD 0.25 0.50 0.75
TW/A	2	60.500/60.750	79.750/80.000		2.850		AL-LF	60476BF	A195/2 STD 0.10

	<p>HC354</p> <p>HC354</p>	<p>NF722 35.00x50.00x10.00mm, MVQ NF634 80.00x100.00x13.00mm, MVQ</p>

1171



76.00

Petrol



847 720	4 Cyl.	9.25:1	1397cc	47kW (64)PS	TD5054	412
CIJ 700	4 Cyl.	8.25:1	1397cc	35-36kW (48-50)PS	TD3122	414
18	04/78→07/86	FUEGO	02/80→10/85	TRAFIC	03/80→06/91	

87-333500-00 STD A 37.50 D 64.00 20x67		08-333500-00 STD 08-333505-00 0.25mm 08-333507-00 0.50mm 1.75 CR P 2.00 P 4.00 CR [26]	15-630820-00 WH [34] B 80.60 C 134.00 D 90.20 E 95.00 89-333500-00 87-333500-00 + 15-630820-00

[26] Steel [26] Acier [26] Acciaio [26] Acero
 [34] Includes seals [34] Inclut des joints [34] Comprende le guarnizioni [34] Incluye los sellos

BE/PL	MB/HL 1-5	TW/A							
4	5	2	43.964/43.980	47.614/47.625	17.750	1.806	0.020/0.074	AL-LF	2950RAA
			54.785/54.805	58.731/58.750	19.500	1.950	0.026/0.090	AL-LF	62013RA
			60.500/60.750	79.750/80.000	2.850			AL-LF	60476BF
									01-4138/4 STD 0.25 0.50 0.75 H1042/5 STD 0.25 0.50 0.75 A195/2 STD 0.10

EH694 [41][42]	HC354 PA349 22.00x16.00x2.00mm 	NF834 35.00x50.00x8.00mm, FPM NF722 35.00x50.00x10.00mm, MVQ NF835 80.00x100.00x8.00mm, FPM/ACM NF634 80.00x100.00x13.00mm, MVQ

[41] Supplementary Article/Supplementary Info 2: [41] Article complémentaire / Info complémentaire 2: [41] Artículo complementario/ Información complementaria 2: con segmentos para camisa [41] Articolo complementare/Info integrativa 2: Con anello tenuta canna cilindro
 With cylinder sleeve ring
 avec deux bagues de chemises de cylindre
 con segmentos para camisa
 Con anello tenuta canna cilindro
 [42] Supplementary Article/Supplementary Info: [42] Article complémentaire / Info complémentaire: avec joints [42] Artículo complementario/Información complementaria: con juntas [42] Articolo complementare/Info integrativa: con guarnizioni
 with gaskets/seals

1172



76.00

Petrol









847 722	4 Cyl.	9.25:1	1397cc	47kW (64)PS	TD4853	411
847 725	4 Cyl.	9.25:1	1397cc	43-46kW (59-63)PS	TD3070	413
5	01/82→12/85	18	04/78→07/86			

BE/PL	MB/HL 1-5	TW/A							
4	5	2	43.964/43.980	47.614/47.625	17.750	1.806	0.020/0.074	AL-LF	2950RAA
			54.785/54.805	58.731/58.750	19.500	1.950	0.026/0.090	AL-LF	62013RA
			60.500/60.750	79.750/80.000	2.850			AL-LF	60476BF
									01-4138/4 STD 0.25 0.50 0.75 H1042/5 STD 0.25 0.50 0.75 A195/2 STD 0.10

...Continued

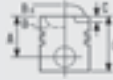





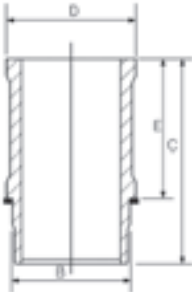
1172  **76.00** **Petrol**

		
	HC354  HC354	NF722  35.00x50.00x10.00mm, MVQ NF634  80.00x100.00x13.00mm, MVQ




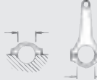






1173  **76.00** **Petrol** 




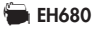




C1J 715	4 Cyl.	9.25:1	1397cc	44kW (60)PS	TD3123	415
C1J 780	4 Cyl.	9.25:1	1397cc	43kW (58)PS	TD3130	415
C2J 700	4 Cyl.	9:1	1397cc	52-53kW (71-72)PS	TD3137	422
C3J 700	4 Cyl.	9:1	1397cc	43-44kW (58-60)PS	TD4856	421
C3J 702	4 Cyl.	9:1	1397cc	43-44kW (58-60)PS	TD3175	421
C3J 760	4 Cyl.	9:1	1397cc	43-44kW (58-60)PS	TD3179	421

9	12/81→12/88	11	03/83→12/88	RAPID	07/85→03/98
SUPER 5	10/84→12/96				

			
87-333500-00 STD A 37.50 D 64.00  20x67	08-333500-00 STD 08-333505-00 0.25mm 08-333507-00 0.50mm 1.75  CR P 2.00 P 4.00 CR [26]	15-630820-00 WH [34] B 80.60 C 134.00 D 90.20 E 95.00 	89-333500-00 87-333500-00 + 15-630820-00

[26] Steel [26] Acier [26] Acciaio [26] Acero
[34] Includes seals [34] Inclut des joints [34] Comprende le guarnizioni [34] Incluye los sellos

									
BE/PL	4	43.964/43.980	47.614/47.625	17.750	1.806	0.020/0.074	AL-LF	2950RAA	01-4138/4 STD 0.25 0.50 0.75
MB/HL 1-5	5	54.785/54.805	58.731/58.750	19.500	1.950	0.026/0.090	AL-LF	62013RA	H1042/5 STD 0.25 0.50 0.75
TW/A	2	60.500/60.750	79.750/80.000		2.850		AL-LF	60476BF	A195/2 STD 0.10

		
 EH680	HC354  HC486  HC354	NF722  35.00x50.00x10.00mm, MVQ NF835  80.00x100.00x8.00mm, FPM/ACM

1174


76.00
Petrol


C1J 742	4 Cyl.	9.25:1	1397cc	43-44kW (58-60)PS	TD3125	415
19	05/92 → 09/94					

87-333500-00 STD A 37.50 D 64.00 20x67		08-333500-00 STD 08-333505-00 0.25mm 08-333507-00 0.50mm 1.75 CR P 2.00 P 4.00 CR [26]	15-630820-00 WH [34] B 80.60 C 134.00 D 90.20 E 95.00 	

[26] Steel [26] Acier [26] Acciaio [26] Acero
 [34] Includes seals [34] Inclut des joints [34] Comprende le guarnizioni [34] Incluye los sellos

BE/PL	4	43.964/43.980	47.614/47.625	17.750	1.806	0.020/0.074	AL-LF	2950RAA	01-4138/4 STD 0.25 0.50 0.75
MB/HL 1-5	5	54.785/54.805	58.731/58.750	19.500	1.950	0.026/0.090	AL-LF	62013RA	H1042/5 STD 0.25 0.50 0.75
TW/A	2	60.500/60.750	79.750/80.000		2.850		AL-LF	60476BF	A195/2 STD 0.10

EH680		HC486	 NF834 35.00x50.00x8.00mm, FPM NF722 35.00x50.00x10.00mm, MVQ NF835 80.00x100.00x8.00mm, FPM/ACM NF634 80.00x100.00x13.00mm, MVQ

1175


76.00
Petrol


C1J 748	4 Cyl.	1397cc	48kW (65)PS	TD27328	416	
C2L 717	4 Cyl.	1397cc	50kW (68)PS	TD3171		
C6J 750	4 Cyl.	8.6:1	1397cc	79-81kW (108-110)PS	TD9392	426
5	10/81 → 01/85					

BE/PL	4	43.964/43.980	47.614/47.625	17.750	1.806	0.020/0.074	AL-LF	2950RAA	01-4138/4 STD 0.25 0.50 0.75
MB/HL 1-5	5	54.785/54.805	58.731/58.750	19.500	1.950	0.026/0.090	AL-LF	62013RA	H1042/5 STD 0.25 0.50 0.75
TW/A	2	60.500/60.750	79.750/80.000		2.850		AL-LF	60476BF	A195/2 STD 0.10

EH680			

1176	76.00	Petrol				
C1J 760	4 Cyl.	8.05:1	1397cc	77kW (105)PS	TD3126	417
9	04/84→12/89	11	04/84→12/86			

	08-335600-00 STD 1.75 MO P 2.00 P 4.00 CR [26]	15-630820-00 WH [34] B 80.60 C 134.00 D 90.20 E 95.00 	

[26] Steel [26] Acier [26] Acciaio [26] Acero
 [34] Includes seals [34] Inclut des joints [34] Comprende le guarnizioni [34] Incluye los sellos

BE/PL	4	43.964/43.980	47.614/47.625	17.750	1.806	0.020/0.074	AL-LF	2950RAA	01-4138/4 STD 0.25 0.50 0.75
MB/HL 1-5	5	54.785/54.805	58.731/58.750	19.500	1.950	0.026/0.090	AL-LF	62013RA	H1042/5 STD 0.25 0.50 0.75
TW/A	2	60.500/60.750	79.750/80.000		2.850		AL-LF	60476BF	A195/2 STD 0.10

EH682 [41][42]	HC486 PA349 22.00x16.00x2.00mm	NF834 35.00x50.00x8.00mm, FPM NF835 80.00x100.00x8.00mm, FPM/ACM

[41] Supplementary Article/Supplementary Info 2: [41] Article complémentaire / Info complémentaire 2: [41] Artículo complementario/ Información complementaria 2: con segmentos para camisa [41] Articolo complementare/Info integrativa 2: Con anello tenuta canna cilindro
 With cylinder sleeve ring
 avec deux bagues de chemises de cylindre
 [42] Supplementary Article/Supplementary Info: [42] Article complémentaire / Info complémentaire: avec joints [42] Artículo complementario/Información complementaria: con juntas [42] Articolo complementare/Info integrativa: con guarnizioni
 with gaskets/seals

1177	76.00	Petrol				
C1J 764	4 Cyl.	8:1	1397cc	77kW (105)PS	TD3127	418
9	04/84→12/89	11	02/84→12/86			

	08-335600-00 STD 1.75 MO P 2.00 P 4.00 CR [26]		

[26] Steel [26] Acier [26] Acciaio [26] Acero

1177


76.00
Petrol

BE/PL	4	43.964/43.980	47.614/47.625	17.750	1.806	0.020/0.074	AL-LF	2950RAA	01-4138/4 STD 0.25 0.50 0.75
MB/HL 1-5	5	54.785/54.805	58.731/58.750	19.500	1.950	0.026/0.090	AL-LF	62013RA	H1042/5 STD 0.25 0.50 0.75
TW/A	2	60.500/60.750	79.750/80.000		2.850		AL-LF	60476BF	A195/2 STD 0.10

EH682 [41][42]	HC486 PA349 22.00x16.00x2.00mm	NF834 35.00x50.00x8.00mm, FPM NF835 80.00x100.00x8.00mm, FPM/ACM

[41] Supplementary Article/Supplementary Info 2:
With cylinder sleeve ring

[42] Supplementary Article/Supplementary Info:
with gaskets/seals

[41] Article complémentaire / Info complémentaire 2:
avec deux bagues de chemises de cylindre

[42] Article complémentaire /
Info complémentaire: avec joints

[41] Artículo complementario/ Información
complementaria 2: con segmentos para camisa

[42] Artículo complementario/Información
complementaria: con juntas

[41] Articolo complementare/Info integrativa 2:
Con anello tenuta canna cilindro

[42] Articolo complementare/Info
integrativa: con guarnizioni

1178


76.00
Petrol


C1J 768	4 Cyl.	9:1	1397cc	43-44kW (58-60)PS	TD3128	415
----------------	--------	-----	--------	--------------------------	---------------	------------

RAPID	07/85→08/91	SUPER 5	10/84→06/88
--------------	-------------	----------------	-------------

87-333500-00 STD A 37.50 D 64.00 20x67	 08-333500-00 STD 08-333505-00 0.25mm 08-333507-00 0.50mm 1.75 CR P 2.00 P 4.00 CR [26]	 15-630820-00 WH [34] B 80.60 C 134.00 D 90.20 E 95.00	 89-333500-00 87-333500-00 + 15-630820-00

[26] Steel
[34] Includes seals

[26] Acier
[34] Inclut des joints

[26] Acciaio
[34] Comprende le guarnizioni

[26] Acero
[34] Incluye los sellos

BE/PL	4	43.964/43.980	47.614/47.625	17.750	1.806	0.020/0.074	AL-LF	2950RAA	01-4138/4 STD 0.25 0.50 0.75
MB/HL 1-5	5	54.785/54.805	58.731/58.750	19.500	1.950	0.026/0.090	AL-LF	62013RA	H1042/5 STD 0.25 0.50 0.75
TW/A	2	60.500/60.750	79.750/80.000		2.850		AL-LF	60476BF	A195/2 STD 0.10

EH680	HC486	NF722 35.00x50.00x10.00mm, MVQ NF835 80.00x100.00x8.00mm, FPM/ACM

1179	76.00	Petrol				
C1J 770	4 Cyl.	8.05:1	1397cc	85kW (115)PS	TD3129	417
C1J 782	4 Cyl.	8:1	1397cc	85/88kW (115/120)PS	TD3131	419
C1J 788	4 Cyl.	8:1	1397cc	85/88kW (115/120)PS	TD3134	419
11	10/86→12/88	SUPER 5	04/85→08/90			

	08-335600-00 STD 1.75 MO P 2.00 P 4.00 CR [26]	15-630820-00 WH [34] B 80.60 C 134.00 D 90.20 E 95.00 	

[26] Steel [26] Acier [26] Acciaio [26] Acero
 [34] Includes seals [34] Inclut des joints [34] Comprende le guarnizioni [34] Incluye los sellos

BE/PL	MB/HL 1-5	TW/A	4	5	2	43.964/43.980	54.785/54.805	60.500/60.750	47.614/47.625	58.731/58.750	79.750/80.000	17.750	1.806	0.020/0.074	AL-LF	2950RAA	01-4138/4 STD 0.25 0.50 0.75
																	H1042/5 STD 0.25 0.50 0.75
																	A195/2 STD 0.10




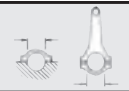



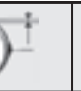

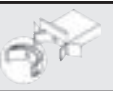
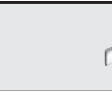

		NF722 35.00x50.00x10.00mm, MVQ NF835 80.00x100.00x8.00mm, FPM/ACM






1180	76.00	Petrol				
C1J 784	4 Cyl.	8:1	1397cc	85-88kW (115-120)PS	TD3133	419
SUPER 5	04/85→08/90					

	08-335600-00 STD 1.75 MO P 2.00 P 4.00 CR [26]		

[26] Steel [26] Acier [26] Acciaio [26] Acero

1180  **76.00** **Petrol**



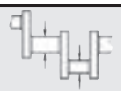
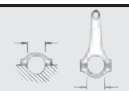



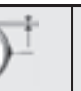




											
BE/PL	4	43.964/43.980	47.614/47.625	17.750	1.806	0.020/0.074	AL-LF	2950RAA	01-4138/4 STD 0.25 0.50 0.75		
MB/HL 1-5	5	54.785/54.805	58.731/58.750	19.500	1.950	0.026/0.090	AL-LF	62013RA	H1042/5 STD 0.25 0.50 0.75		
TW/A	2	60.500/60.750	79.750/80.000		2.850		AL-LF	60476BF	A195/2 STD 0.10		







		
		NF722  35.00x50.00x10.00mm, MVQ NF835  80.00x100.00x8.00mm, FPM/ACM

1181  **76.00** **Petrol** 

C1J 791	4 Cyl.	9.25:1	1397cc	49kW (67)PS	TD23611	420
C2J 718	4 Cyl.	9.25:1	1397cc	49-50kW (67-68)PS	TD3143	421
C2J 720	4 Cyl.	9.25:1	1397cc	49kW (67)PS	TD3144	421
C2J 730	4 Cyl.	9.25:1	1397cc	44kW (60)PS	TD3145	421
C2J 755	4 Cyl.	9.25:1	1397cc	53kW (72)PS	TD5445	421
C2J 757	4 Cyl.	9.25:1	1397cc	49-50kW (67-68)PS	TD3147	421
C2J 766	4 Cyl.	9.25:1	1397cc	49kW (67)PS	TD3149	421
C2J 767	4 Cyl.	9.25:1	1397cc	49kW (67)PS	TD3151	421
C2J 780	4 Cyl.	9:1	1397cc	52-53kW (71-72)PS	TD3156	425
C2J 781	4 Cyl.	9:1	1397cc	52-53kW (71-72)PS	TD3157	425
C2J 788	4 Cyl.	9:1	1397cc	52-53kW (71-72)PS	TD3162	425
C2J 789	4 Cyl.	9:1	1397cc	52-53kW (71-72)PS	TD3163	425
C2J 798	4 Cyl.	9:1	1397cc	52-53kW (71-72)PS	TD3168	425

9	09/81→12/88	11	03/83→12/88	12	08/76→08/80
SUPER 5	10/84→07/89				

											
BE/PL	4	43.964/43.980	47.614/47.625	17.750	1.806	0.020/0.074	AL-LF	2950RAA	01-4138/4 STD 0.25 0.50 0.75		
MB/HL 1-5	5	54.785/54.805	58.731/58.750	19.500	1.950	0.026/0.090	AL-LF	62013RA	H1042/5 STD 0.25 0.50 0.75		
TW/A	2	60.500/60.750	79.750/80.000		2.850		AL-LF	60476BF	A195/2 STD 0.10		

		
		NF722  35.00x50.00x10.00mm, MVQ NF835  80.00x100.00x8.00mm, FPM/ACM

1182	76.00	Petrol				
C1J 792	4 Cyl.	9.25:1	1397cc	44kW (60)PS	TD3135	421
C1J 796	4 Cyl.	9.25:1	1397cc	44kW (60)PS	TD3136	421
9	12/81 → 12/88					

		15-630820-00 WH [34] B 80.60 C 134.00 D 90.20 E 95.00	

[34] Includes seals [34] Inclut des joints [34] Comprende le guarnizioni [34] Incluye los sellos

BE/PL	4	43.964/43.980	47.614/47.625	17.750	1.806	0.020/0.074	AL-LF	2950RAA	01-4138/4 STD 0.25 0.50 0.75
MB/HL 1-5	5	54.785/54.805	58.731/58.750	19.500	1.950	0.026/0.090	AL-LF	62013RA	H1042/5 STD 0.25 0.50 0.75
TW/A	2	60.500/60.750	79.750/80.000		2.850		AL-LF	60476BF	A195/2 STD 0.10

EH680		NF722 35.00x50.00x10.00mm, MVQ NF835 80.00x100.00x8.00mm, FPM/ACM

1183	76.00	Petrol				
C2J	4 Cyl.	9:1	1397cc	48kW (65)PS	TD24574	
NOVA	04/96 → 03/01					

		08-333500-00 STD 08-333505-00 0.25mm 08-333507-00 0.50mm 1.75 CR P 2.00 P 4.00 CR [26]	

[26] Steel [26] Acier [26] Acciaio [26] Acero

BE/PL	4	43.964/43.980	47.614/47.625	17.750	1.806	0.020/0.074	AL-LF	2950RAA	01-4138/4 STD 0.25 0.50 0.75

1183



76.00

Petrol

MB/HL 1-5	5	54.785/54.805	58.731/58.750	19.500	1.950	0.026/0.090	AL-LF	62013RA	H1042/5 STD 0.25 0.50 0.75	
TW/A	2	60.500/60.750	79.750/80.000		2.850		AL-LF	60476BF	A195/2 STD 0.10	

		NF722 35.00x50.00x10.00mm, MVQ NF835 80.00x100.00x8.00mm, FPM/ACM NF634 80.00x100.00x13.00mm, MVQ

1184



76.00

Petrol



C2J 713	4 Cyl.	9.25:1	1397cc	46kW (63)PS	TD3138	423
----------------	--------	--------	--------	--------------------	---------------	------------

5	01/82 → 12/85
----------	---------------

87-333500-00	STD	08-333500-00 STD 08-333505-00 0.25mm 08-333507-00 0.50mm	15-630820-00 WH [34] B 80.60 C 134.00 D 90.20 E 95.00
A 37.50 D 64.00 20x67		1.75 CR P 2.00 P 4.00 CR [26]	

[26] Steel [26] Acier [26] Acciaio [26] Acero
 [34] Includes seals [34] Inclut des joints [34] Comprende le guarnizioni [34] Incluye los sellos

BE/PL	4	43.964/43.980	47.614/47.625	17.750	1.806	0.020/0.074	AL-LF	2950RAA	01-4138/4 STD 0.25 0.50 0.75	
MB/HL 1-5	5	54.785/54.805	58.731/58.750	19.500	1.950	0.026/0.090	AL-LF	62013RA	H1042/5 STD 0.25 0.50 0.75	
TW/A	2	60.500/60.750	79.750/80.000		2.850		AL-LF	60476BF	A195/2 STD 0.10	

EF380 [41][42]	HC354	NF722 35.00x50.00x10.00mm, MVQ NF634 80.00x100.00x13.00mm, MVQ

HC354

[41] Supplementary Article/Supplementary Info 2: With cylinder sleeve ring
 [42] Supplementary Article/Supplementary Info: with gaskets/seals

[41] Article complémentaire / Info complémentaire 2: avec deux bagues de chemises de cylindre
 [42] Article complémentaire / Info complémentaire: avec joints

[41] Artículo complementario/ Información complementaria 2: con segmentos para camisa
 [42] Artículo complementario/Información complementaria: con juntas

[41] Articolo complementare/Info integrativa 2: Con anello tenuta canna cilindro
 [42] Articolo complementare/Info integrativa: con guarnizioni

1185	76.00	Petrol				
C2J 717	4 Cyl.	9.25:1	1397cc	53kW (72)PS	TD3141	421
C3J 762	4 Cyl.	9:1	1397cc	43-44kW (58-60)PS	TD3180	421
9	09/81→12/85	11	05/83→12/85	RAPID	08/88→03/98	

87-333500-00	STD	08-333500-00 STD 08-333505-00 0.25mm 08-333507-00 0.50mm	15-630820-00 WH [34] B 80.60 C 134.00 D 90.20 E 95.00
A 37.50 D 64.00 20x67		1.75 CR P 2.00 P 4.00 CR [26]	

[26] Steel [26] Acier [26] Acciaio [26] Acero
 [34] Includes seals [34] Inclut des joints [34] Comprende le guarnizioni [34] Incluye los sellos

BE/PL	4	43.964/43.980	47.614/47.625	17.750	1.806	0.020/0.074	AL-LF	2950RAA	01-4138/4 STD 0.25 0.50 0.75
MB/HL 1-5	5	54.785/54.805	58.731/58.750	19.500	1.950	0.026/0.090	AL-LF	62013RA	H1042/5 STD 0.25 0.50 0.75
TW/A	2	60.500/60.750	79.750/80.000		2.850		AL-LF	60476BF	A195/2 STD 0.10

EH680			
		NF722 35.00x50.00x10.00mm, MVQ	NF835 80.00x100.00x8.00mm, FPM/ACM

1186	76.00	Petrol				
C2J 756	4 Cyl.	9.25:1	1397cc	49kW (67)PS	TD3146	424
C2J 760	4 Cyl.	9.25:1	1397cc	51kW (70)PS	TD3148	425
C2J 796	4 Cyl.	9.25:1	1397cc	53kW (72)PS	TD3166	424
C2J 797	4 Cyl.	9:1	1397cc	53kW (72)PS	TD3167	424
C3J 756	4 Cyl.	9:1	1397cc	43kW (58)PS	TD3177	420

BE/PL	4	43.964/43.980	47.614/47.625	17.750	1.806	0.020/0.074	AL-LF	2950RAA	01-4138/4 STD 0.25 0.50 0.75
MB/HL 1-5	5	54.785/54.805	58.731/58.750	19.500	1.950	0.026/0.090	AL-LF	62013RA	H1042/5 STD 0.25 0.50 0.75
TW/A	2	60.500/60.750	79.750/80.000		2.850		AL-LF	60476BF	A195/2 STD 0.10

EH680			
		NF722 35.00x50.00x10.00mm, MVQ	

RENAULT/DACIA

1187



76.00

Petrol



C2J 768	4 Cyl.	9.25:1	1397cc	49-50kW (67-68)PS				TD3152	421
9	09/85→12/88		11	03/83→12/88					

BE/PL	4	43.964/43.980	47.614/47.625	17.750	1.806	0.020/0.074	AL-LF	2950RAA	01-4138/4 STD 0.25 0.50 0.75
MB/HL 1-5	5	54.785/54.805	58.731/58.750	19.500	1.950	0.026/0.090	AL-LF	62013RA	H1042/5 STD 0.25 0.50 0.75
TW/A	2	60.500/60.750	79.750/80.000		2.850		AL-LF	60476BF	A195/2 STD 0.10

EH680	HC486 PA349 22.00x16.00x2.000mm	NF834 35.00x50.00x8.00mm, FPM NF722 35.00x50.00x10.00mm, MVQ NF835 80.00x100.00x8.00mm, FPM/ACM

1188



76.00

Petrol



C2J 770	4 Cyl.	9:1	1397cc	51kW (69)PS				TD3153	415
21	06/88→10/93								

BE/PL	4	43.964/43.980	47.614/47.625	17.750	1.806	0.020/0.074	AL-LF	2950RAA	01-4138/4 STD 0.25 0.50 0.75
MB/HL 1-5	5	54.785/54.805	58.731/58.750	19.500	1.950	0.026/0.090	AL-LF	62013RA	H1042/5 STD 0.25 0.50 0.75
TW/A	2	60.500/60.750	79.750/80.000		2.850		AL-LF	60476BF	A195/2 STD 0.10

EH680	HC486 PA349 22.00x16.00x2.000mm	NF834 35.00x50.00x8.00mm, FPM NF722 35.00x50.00x10.00mm, MVQ NF835 80.00x100.00x8.00mm, FPM/ACM NF634 (x1) 80.00x100.00x13.00mm, MVQ

1189



76.00

Petrol



C2J 772	4 Cyl.	9:1	1397cc	43kW (58)PS	TD3154	415
C3J 710	4 Cyl.	9.2:1	1397cc	43-44kW (58-60)PS	TD3176	421
19	07/88 → 12/95					

87-333500-00 STD A 37.50 D 64.00 20x67	08-333500-00 STD 08-333505-00 0.25mm 08-333507-00 0.50mm 1.75 CR P 2.00 P 4.00 CR [26]	15-630820-00 WH [34] B 80.60 C 134.00 D 90.20 E 95.00 	89-333500-00 87-333500-00 + 15-630820-00

[26] Steel [26] Acier [26] Acciaio [26] Acero
 [34] Includes seals [34] Inclut des joints [34] Comprende le guarnizioni [34] Incluye los sellos

BE/PL	4	43.964/43.980	47.614/47.625	17.750	1.806	0.020/0.074	AL-LF	2950RAA	01-4138/4 STD 0.25 0.50 0.75
MB/HL 1-5	5	54.785/54.805	58.731/58.750	19.500	1.950	0.026/0.090	AL-LF	62013RA	H1042/5 STD 0.25 0.50 0.75
TW/A	2	60.500/60.750	79.750/80.000		2.850		AL-LF	60476BF	A195/2 STD 0.10

EH680	HC486 PA349 22.00x16.00x2.000mm	NF834 35.00x50.00x8.00mm, FPM NF722 35.00x50.00x10.00mm, MVQ NF835 80.00x100.00x8.00mm, FPM/ACM NF634 80.00x100.00x13.00mm, MVQ

1190


76.00
Petrol


C2J 782	4 Cyl.	9:1	1397cc	49kW (67)PS	TD3158	415
C2J 784	4 Cyl.	9:1	1397cc	44kW (60)PS	TD3161	415
RAPID	03/86→08/91	SUPER 5	06/87→08/90			

87-333500-00 STD A 37.50 D 64.00 20x67	08-333500-00 STD 08-333505-00 0.25mm 08-333507-00 0.50mm 1.75 CR P 2.00 P 4.00 CR [26]	15-630820-00 WH [34] B 80.60 C 134.00 D 90.20 E 95.00 	89-333500-00 87-333500-00 + 15-630820-00

[26] Steel [26] Acier [26] Acciaio [26] Acero
 [34] Includes seals [34] Inclut des joints [34] Comprende le guarnizioni [34] Incluye los sellos

BE/PL	4	43.964/43.980	47.614/47.625	17.750	1.806	0.020/0.074	AL-LF	2950RAA	01-4138/4 STD 0.25 0.50 0.75
MB/HL 1-5	5	54.785/54.805	58.731/58.750	19.500	1.950	0.026/0.090	AL-LF	62013RA	H1042/5 STD 0.25 0.50 0.75
TW/A	2	60.500/60.750	79.750/80.000		2.850		AL-LF	60476BF	A195/2 STD 0.10

EH680	HC486 PA349 22.00x16.00x2.00mm	NF834 35.00x50.00x8.00mm, FPM NF722 35.00x50.00x10.00mm, MVQ NF835 80.00x100.00x8.00mm, FPM/ACM







1191




76.00
Diesel


K9K 276	4 Cyl.	18.8:1	1461cc	62kW (84)PS	TD23876
K9K 612	4 Cyl.		1461cc	55-66kW (75-90)PS	TD28005 428
K9K 734	4 Cyl.	18.8:1	1461cc	78kW (106)PS	TD22192 435
DOKKER	11/12→	DOKKER Express	12/12→	LOGAN	10/12→
LOGAN MCV	02/13→	MEGANE	05/05→	SANDERO	01/13→
SCÉNIC	01/07→				




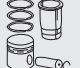




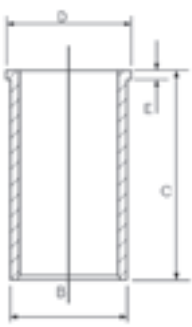
BE/PL	4	43.964/43.980	47.614/47.625	17.750	1.807	0.020/0.047	BS	71-4243L	71-4243/4 STD 0.25 0.50
BE/PL	4	43.964/43.980	47.614/47.625	20.750	1.807	0.020/0.047	BS	71-4243U	
MB/HL 1-5	5	47.990/48.010	51.936/51.949	19.500	1.950	0.026/0.059	AL-LF	02-4241	H1065/5 STD 0.25 0.50
TW/A	2	53.000/53.250	73.670/73.920		2.850		AL-LF	04-4048	A168/2 STD
SE/PB	1	25.995/26.000	28.500/28.521	22.500			BC-LF	55-4856	55-4856 SEMI [46]



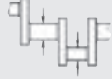







...Continued


1191	 76.00	Diesel
		
	JH5109 (NBR)	NA5255  35.00x47.00x7.00mm, PTFE/ACM NA5118  80.00x100.00x9.00mm, PTFE

1192	 76.00	Diesel				
K9K 608	4 Cyl.		1461cc	66kW (90)PS	TD27682	427
K9K 612	4 Cyl.		1461cc	55kW (75)PS	TD27683	427
K9K 636	4 Cyl.	15.2:1	1461cc	81kW (110)PS	TD28220	428
K9K 812	4 Cyl.	15.6:1	1461cc	60kW (82)PS	TD24967	440
K9K 820	4 Cyl.	17.9:1	1461cc	55kW (75)PS	TD25692	430
K9K 830	4 Cyl.	17.6:1	1461cc	63kW (86)PS	TD25693	441
K9K 837 Euro 5	4 Cyl.	15.2:1	1461cc	81kW (110)PS	TD26246	444
K9K 840	4 Cyl.		1461cc	50kW (68)PS	TD22194	
K9K 846 Euro 5	4 Cyl.		1461cc	70kW (95)PS	TD24579	442
K9K 884	4 Cyl.		1461cc	66kW (90)PS	TD27697	445
K9K F 830	4 Cyl.	17.6:1	1461cc	63kW (86)PS	TD23566	430
K9K G 832	4 Cyl.	15.3:1	1461cc	78kW (106)PS	TD23522	442
K9K N 837	4 Cyl.	15.2:1	1461cc	81kW (110)PS	TD24968	449

CLIO	11/12→	CLIO Grandtour	01/13→	DUSTER	06/09→
FLUENCE	02/10→	GRAND SCÉNIC	04/09→	LAGUNA	03/12→
MEGANE	11/08→	MEGANE CC	06/10→	SCÉNIC	04/09→
TWINGO	10/10→				



			
	08-123400-30 STD 08-123407-30 0.50mm 2.00  CK P 2.00  P 2.50  CR P 	14-020650-00 D B 79.10 C 142.00 D 81.00 E 5.00 	

									
BE/PL	4	43.964/43.980	47.614/47.625	17.750	1.807	0.020/0.047	BS	71-4243L	71-4243/4 STD 0.25 0.50
BE/PL	4	43.964/43.980	47.614/47.625	20.750	1.807	0.020/0.047	BS	71-4243U	
MB/HL 1-5	5	47.990/48.010	51.936/51.949	19.500	1.950	0.026/0.059	AL-LF	02-4241	H1065/5 STD 0.25 0.50
TW/A	2	53.000/53.250	73.670/73.920		2.850		AL-LF	04-4048	A168/2 STD
SE/PB	1	25.995/26.000	28.500/28.521	22.500			BC-LF	55-4856	55-4856 SEMI [46]

1192	 76.00	Diesel
-------------	--	---------------

		
---	---	---






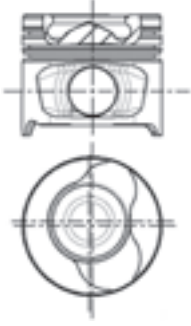



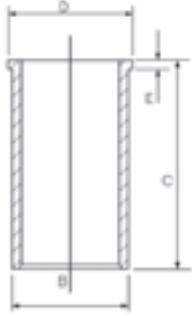

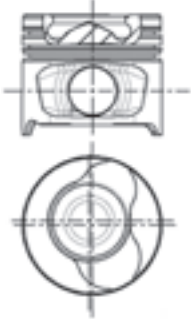



JH5109
(NBR)



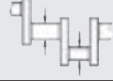







NA5255  35.00x47.00x7.00mm, PTFE/ACM
NA5118  80.00x100.00x9.00mm, PTFE

1193	 76.00	Diesel	
-------------	--	---------------	---

K9K 700 Euro 3	4 Cyl.	18.80:1	1461cc	48kW (65)PS	TD16219	429
K9K 702 Euro 3	4 Cyl.	18.8:1	1461cc	60kW (81)PS	TD16344	429
K9K 704 Euro 3	4 Cyl.	18.8:1	1461cc	48kW (65)PS	TD16343	429
K9K 710 Euro 3	4 Cyl.	18.8:1	1461cc	60kW (81)PS	TD17488	429
K9K 750 Euro 3	4 Cyl.	18.3:1	1461cc	57-65kW (78-88)PS	TD21133	432
K9K 752 Euro 3	4 Cyl.	18.8:1	1461cc	48-50kW (65-68)PS	TD21134	434





CLIO 06/01→	CLIO Grandtour 02/10→	KANGOO 12/01→
MODUS / GRAND MODUS 09/04→	THALIA 06/01→	

			
87-123400-00 87-123407-00	STD 0.50mm	87-123400-00 87-123407-00	14-020650-00 D B 79.10 C 142.00 D 81.00 E 5.00
A 41.69 B- 13.70 BØ 39.70 C 0.60 D 66.05  25x60		2.00  CK P 2.00  P 2.50  NT	
RT TP			
87-123400-10 87-123407-10	STD 0.50mm	87-123400-00 87-123407-00	
A 41.82 B- 13.70 BØ 39.70 C 0.60 D 66.05  26x60		2.00  CK P 2.00  P 2.50  NT	
RT TP			

									
BE/PL	4	43.964/43.980	47.614/47.625	17.750	1.807	0.020/0.047	BS	71-4243L	71-4243/4 STD 0.25 0.50
BE/PL	4	43.964/43.980	47.614/47.625	20.750	1.807	0.020/0.047	BS	71-4243U	
MB/HL 1-5	5	47.990/48.010	51.936/51.949	19.500	1.950	0.026/0.059	AL-LF	02-4241	H1065/5 STD 0.25 0.50
TW/A	2	53.000/53.250	73.670/73.920		2.850		AL-LF	04-4048	A168/2 STD
SE/PB	1	25.995/26.000	28.500/28.521	22.500			BC-LF	55-4856	55-4856 SEMI



[46]

...Continued

1193	 76.00	Diesel
		

 EE5200

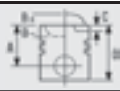

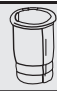
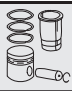

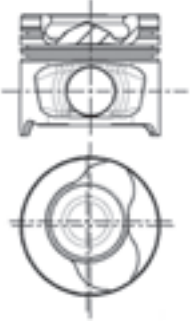




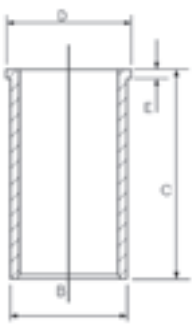

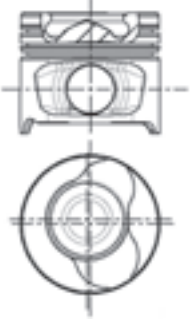
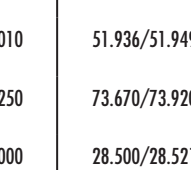



JH5109
(NBR)


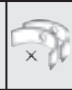
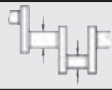

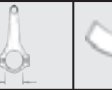






NA5255  35.00x47.00x7.00mm, PTFE/ACM
NA5118  80.00x100.00x9.00mm, PTFE







1194	 76.00	Diesel	
-------------	--	---------------	---

K9K 706	4 Cyl.	18.8:1	1461cc	48-50kW (65-68)PS	TD20974	430
K9K 722 Euro 3	4 Cyl.	18.8:1	1461cc	60kW (81)PS	TD16534	429
K9K 790	4 Cyl.	18.3:1	1461cc	48kW (65)PS	TD21438	438
K9K 790	4 Cyl.	18.3:1	1461cc	48kW (65)PS	TD18514	434

GRAND SCÉNIC	04/04 →	LOGAN	09/05 →	MEGANE	11/02 →
SCÉNIC	06/03 →				

			
87-123400-00 87-123407-00 STD 0.50mm A 41.69 B- 13.70 BØ 39.70 C 0.60 D 66.05  25x60 RT TP	 	08-123400-00 STD 08-123407-00 0.50mm 2.00  CK P 2.00  P 2.50  NT	14-020650-00 D B 79.10 C 142.00 D 81.00 E 5.00 
87-123400-10 87-123407-10 STD 0.50mm A 41.82 B- 13.70 BØ 39.70 C 0.60 D 66.05  26x60 RT TP	 	08-123400-00 STD 08-123407-00 0.50mm 2.00  CK P 2.00  P 2.50  NT	

										
BE/PL	4	43.964/43.980	47.614/47.625	17.750	1.807	0.020/0.047	BS	71-4243L	71-4243/4 STD 0.25 0.50	
BE/PL	4	43.964/43.980	47.614/47.625	20.750	1.807	0.020/0.047	BS	71-4243U		
MB/HL 1-5	5	47.990/48.010	51.936/51.949	19.500	1.950	0.026/0.059	AL-LF	02-4241	H1065/5 STD 0.25 0.50	
TW/A	2	53.000/53.250	73.670/73.920		2.850		AL-LF	04-4048	A168/2 STD	
SE/PB	1	25.995/26.000	28.500/28.521	22.500			BC-LF	55-4856	55-4856 SEMI [46]	

		
 EE5200		NA5255  35.00x47.00x7.00mm, PTFE/ACM NA5118  80.00x100.00x9.00mm, PTFE

1195

76.00

Diesel





K9K 708	4 Cyl.	18.8:1	1461cc	48-50kW (65-68)PS	TD26047
K9K 794	4 Cyl.	18.3:1	1461cc	48-50kW (65-68)PS	TD23795 430




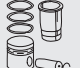
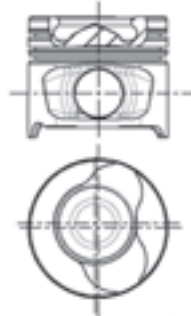

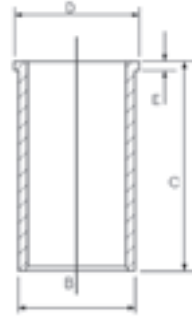




	<p>08-123400-00 STD 08-123407-00 0.50mm</p> <p>2.00 CK P 2.00 P 2.50 NT</p> <p>08-123400-30 STD 08-123407-30 0.50mm</p> <p>2.00 CK P 2.00 P 2.50 CR P</p> <p>LKZ-Ring®</p>	<p>14-020650-00 D B 79.10 C 142.00 D 81.00 E 5.00</p>	




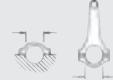






BE/PL	4	43.964/43.980	47.614/47.625	17.750	1.807	0.020/0.047	BS	71-4243L	71-4243/4 STD 0.25 0.50
BE/PL	4	43.964/43.980	47.614/47.625	20.750	1.807	0.020/0.047	BS	71-4243U	
MB/HL 1-5	5	47.990/48.010	51.936/51.949	19.500	1.950	0.026/0.059	AL-LF	02-4241	H1065/5 STD 0.25 0.50
TW/A	2	53.000/53.250	73.670/73.920		2.850		AL-LF	04-4048	A168/2 STD
SE/PB	1	25.995/26.000	28.500/28.521	22.500			BC-LF	55-4856	55-4856 SEMI [46]






	JH5109 (NBR)	<p>NA5255 35.00x47.00x7.00mm, PTFE/ACM</p> <p>NA5118 80.00x100.00x9.00mm, PTFE</p>

1196	 76.00	Diesel			
K9K 712 Euro 3	4 Cyl.	18.8:1	1461cc	74kW (100)PS	TD18419 429
K9K 718 Euro 4	4 Cyl.	18.8:1	1461cc	62kW (84)PS	TD21171 432
K9K 724 Euro 4	4 Cyl.	18.8:1	1461cc	63kW (86)PS	TD20988 433
K9K 728 Euro 3	4 Cyl.	18.8:1	1461cc	74kW (101)PS	TD20706 434
K9K 729 Euro 3	4 Cyl.	18.8:1	1461cc	74kW (101)PS	TD20707 434
K9K 760 Euro 4	4 Cyl.	18.8:1	1461cc	50kW (68)PS	TD21135 436
K9K 766 Euro 4	4 Cyl.	17.9:1	1461cc	63kW (86)PS	TD18537 429
K9K 802 Euro 4	4 Cyl.	15.6:1	1461cc	63kW (86)PS	TD20830 439
K9K G 724	4 Cyl.	18.8:1	1461cc	63kW (86)PS	TD19692 447

CLIO	01/04→	CLIO Grandtour	02/08→	GRAND SCÉNIC	04/04→
KANGOO / GRAND KANGOO	02/08→	KANGOO	06/05→	KANGOO BE BOP	09/10→
MEGANE	10/03→	MODUS / GRAND MODUS	12/04→	SCÉNIC	11/03→
THALIA	09/08→	TWINGO	04/08→		

			
87-123400-20 87-123407-20 STD 0.50mm 	08-123400-00 08-123407-00 STD 0.50mm 	14-020650-00 D B 79.10 C 142.00 D 81.00 E 5.00 	
A 41.70 B- 14.00 BØ 39.70 C 0.43 C 0.25 D 66.00  26x60 AK KK RT TP	2.00  CK P 2.00  P 2.50  NT		

									
BE/PL	4	43.964/43.980	47.614/47.625	17.750	1.807	0.020/0.047	BS	71-4243L	71-4243/4 STD 0.25 0.50
BE/PL	4	43.964/43.980	47.614/47.625	20.750	1.807	0.020/0.047	BS	71-4243U	
MB/HL 1-5	5	47.990/48.010	51.936/51.949	19.500	1.950	0.026/0.059	AL-LF	02-4241	H1065/5 STD 0.25 0.50
TW/A	2	53.000/53.250	73.670/73.920		2.850		AL-LF	04-4048	A168/2 STD
SE/PB	1	25.995/26.000	28.500/28.521	22.500			BC-LF	55-4856	55-4856 SEMI [46]

		
EE5200	JH5109 (NBR)	NA5255  35.00x47.00x7.00mm, PTFE/ACM NA5118  80.00x100.00x9.00mm, PTFE

1197


76.00
Diesel


K9K 714 Euro 4	4 Cyl.	18.8:1	1461cc	50kW (68)PS	TD21173	429
K9K 740 Euro 4	4 Cyl.	18.8:1	1461cc	47kW (64)PS	TD20446	436
K9K 762 Euro 4	4 Cyl.	18.8:1	1461cc	50kW (68)PS	TD20922	436
K9K 768 Euro 4	4 Cyl.	17.9:1	1461cc	50kW (68)PS	TD18536	433
K9K 792	4 Cyl.	18.3:1	1461cc	50kW (68)PS	TD21439	433
K9K 792 Euro 4	4 Cyl.	17.9:1	1461cc	50kW (68)PS	TD19223	433

CLIO	04/04→	CLIO Grandtour	02/08→	KANGOO	06/05→
LOGAN	01/06→	LOGAN MCV	02/07→	MODUS / GRAND MODUS	12/04→
SANDERO	11/08→	THALIA	02/03→	TWINGO	03/07→

87-123400-10	STD	08-123400-00	STD	14-020650-00 D			
87-123407-10	0.50mm	08-123407-00	0.50mm	B 79.10	C 142.00	D 81.00	E 5.00
A 41.82		2.00		CK P			
B- 13.70		2.00		P			
BØ 39.70		2.50		NT			
C 0.60							
D 66.05							
26x60							
RT TP							

BE/PL	4	43.964/43.980	47.614/47.625	17.750	1.807	0.020/0.047	BS	71-4243L	71-4243/4
BE/PL	4	43.964/43.980	47.614/47.625	20.750	1.807	0.020/0.047	BS	71-4243U	STD 0.25 0.50
MB/HL 1-5	5	47.990/48.010	51.936/51.949	19.500	1.950	0.026/0.059	AL-LF	02-4241	H1065/5
TW/A	2	53.000/53.250	73.670/73.920		2.850		AL-LF	04-4048	STD
SE/PB	1	25.995/26.000	28.500/28.521	22.500			BC-LF	55-4856	55-4856
									SEMI [46]

EE5200	JH5109 (NBR)	NA5255 35.00x47.00x7.00mm, PTFE/ACM NA5118 80.00x100.00x9.00mm, PTFE

1198

76.00

Diesel



K9K 716	4 Cyl.	18.8:1	1461cc	60kW (82)PS	TD22179	431
K9K 772	4 Cyl.	15.6:1	1461cc	63-76kW (86-103)PS	TD23549	436
K9K 800	4 Cyl.	18.8:1	1461cc	63kW (86)PS	TD22193	439

CLIO	11/03 →	CLIO Grandtour	02/08 →	KANGOO / GRAND KANGOO	02/08 →
KANGOO	02/08 →	MODUS / GRAND MODUS	05/07 →		

	08-123400-30 STD 08-123407-30 0.50mm 2.00 CK P 2.00 P 2.50 CR P 	14-020650-00 D B 79.10 C 142.00 D 81.00 E 5.00 	

BE/PL	4	43.964/43.980	47.614/47.625	17.750	1.807	0.020/0.047	BS	71-4243L	71-4243/4 STD 0.25 0.50
BE/PL	4	43.964/43.980	47.614/47.625	20.750	1.807	0.020/0.047	BS	71-4243U	
MB/HL 1-5	5	47.990/48.010	51.936/51.949	19.500	1.950	0.026/0.059	AL-LF	02-4241	H1065/5 STD 0.25 0.50
TW/A	2	53.000/53.250	73.670/73.920		2.850		AL-LF	04-4048	A168/2 STD
SE/PB	1	25.995/26.000	28.500/28.521	22.500			BC-LF	55-4856	55-4856 SEMI [46]

EE5200	JH5109 (NBR)	NA5255 35.00x47.00x7.00mm, PTFE/ACM NA5118 80.00x100.00x9.00mm, PTFE

1199

76.00

Diesel



K9K 732 Euro 4	4 Cyl.	18.8:1	1461cc	78kW (106)PS	TD20829	435
K9K 764 Euro 4	4 Cyl.	15.6:1	1461cc	78kW (106)PS	TD18538	437
K9K 780 Euro 4	4 Cyl.	15.6:1	1461cc	76kW (103)PS	TD20817	435
K9K 804 Euro 4	4 Cyl.	15.6:1	1461cc	78kW (106)PS	TD20831	439
K9K 806 Euro 4 FAP	4 Cyl.	15.6:1	1461cc	76kW (103)PS	TD20832	439
K9K P 732	4 Cyl.	18.8:1	1461cc	78kW (106)PS	TD19693	435

CLIO	06/05→	CLIO Grandtour	02/08→	GRAND SCÉNIC	05/05→
KANGOO / GRAND KANGOO	02/08→	KANGOO	02/08→	KANGOO BE BOP	02/09→
LAGUNA	10/07→	MEGANE	05/05→	MODUS / GRAND MODUS	05/05→
SCÉNIC	05/05→				

87-123400-30 87-123407-30	STD 0.50mm	08-123400-30 08-123407-30	STD 0.50mm
A 41.70 B- 12.80 BØ 49.00 C 0.43 C 0.25 D 66.00 26x60	 07657-401	2.00 CK P 2.00 P 2.50 CR P LKZ-Ring®	14-020650-00 D B 79.10 C 142.00 D 81.00 E 5.00
AK KK RT TP			

BE/PL	4	43.964/43.980	47.614/47.625	17.750	1.807	0.020/0.047	BS	71-4243L	71-4243/4 STD 0.25 0.50
BE/PL	4	43.964/43.980	47.614/47.625	20.750	1.807	0.020/0.047	BS	71-4243U	
MB/HL 1-5	5	47.990/48.010	51.936/51.949	19.500	1.950	0.026/0.059	AL-LF	02-4241	H1065/5 STD 0.25 0.50
TW/A	2	53.000/53.250	73.670/73.920		2.850		AL-LF	04-4048	A168/2 STD
SE/PB	1	25.995/26.000	28.500/28.521	22.500			BC-LF	55-4856	55-4856 SEMI [46]

EE5200	JH5109 (NBR)	NA5255 35.00x47.00x7.00mm, PTFE/ACM NA5118 80.00x100.00x9.00mm, PTFE

1200

76.00

Diesel



K9K 770	4 Cyl.	17.9:1	1461cc	55-65kW (75-88)PS	TD25691	436
K9K 808	4 Cyl.	15.6:1	1461cc	66kW (90)PS	TD26258	439

CLIO	08/10→	CLIO Grandtour	08/10→	KANGOO / GRAND KANGOO	11/12→
KANGOO	06/09→	KANGOO BE BOP	06/09→	MODUS / GRAND MODUS	10/10→

87-123400-40 87-123407-40 STD 0.50mm A 41.70 B- 13.50 BØ 47.00 C 0.43 C 0.25 D 66.00 26x66 AK KK RT TP 7657-701	08-123400-30 08-123407-30 STD 0.50mm 2.00 CK P 2.00 P 2.50 CR P 	14-020650-00 D B 79.10 C 142.00 D 81.00 E 5.00 	

BE/PL	4	43.964/43.980	47.614/47.625	17.750	1.807	0.020/0.047	BS	71-4243L	71-4243/4 STD 0.25 0.50
BE/PL	4	43.964/43.980	47.614/47.625	20.750	1.807	0.020/0.047	BS	71-4243U	
MB/HL 1-5	5	47.990/48.010	51.936/51.949	19.500	1.950	0.026/0.059	AL-LF	02-4241	H1065/5 STD 0.25 0.50
TW/A	2	53.000/53.250	73.670/73.920		2.850		AL-LF	04-4048	A168/2 STD
SE/PB	1	25.995/26.000	28.500/28.521	22.500			BC-LF	55-4856	55-4856 SEMI [46]

EE5200	JH5109 (NBR)	NA5255 35.00x47.00x7.00mm, PTFE/ACM NA5118 80.00x100.00x9.00mm, PTFE

1201



76.00

Diesel



K9K 782	4 Cyl.	15.2:1	1461cc	81kW (110)PS	TD27990	
K9K 834	4 Cyl.	15.2:1	1461cc	66kW (90)PS	TD23742	443
K9K 836	4 Cyl.	15.2:1	1461cc	81kW (110)PS	TD23743	442
K9K H 834	4 Cyl.	15.2:1	1461cc	66kW (90)PS	TD23569	448
K9K J 836	4 Cyl.	15.2:1	1461cc	81kW (110)PS	TD23567	443


FLUENCE	02/10→	GRAND SCÉNIC	04/09→	LATITUDE	07/10→
MEGANE	11/08→	MEGANE CC	06/10→	SCÉNIC	04/09→

87-123400-40	STD	08-123400-30	STD	14-020650-00 D			
87-123407-40	0.50mm	08-123407-30	0.50mm	B 79.10	C 142.00	D 81.00	E 5.00
A 41.70		2.00	CK P				
B- 13.50		2.00	P				
BØ 47.00		2.50	CR P				
C 0.43							
C 0.25							
D 66.00							
26x66							
AK KK RT TP							
		7657-701					

BE/PL	4	43.964/43.980	47.614/47.625	17.750	1.807	0.020/0.047	BS	71-4243L	71-4243/4 STD 0.25 0.50
BE/PL	4	43.964/43.980	47.614/47.625	20.750	1.807	0.020/0.047	BS	71-4243U	
MB/HL 1-5	5	47.990/48.010	51.936/51.949	19.500	1.950	0.026/0.059	AL-LF	02-4241	H1065/5 STD 0.25 0.50
TW/A	2	53.000/53.250	73.670/73.920		2.850		AL-LF	04-4048	A168/2 STD
SE/PB	1	25.995/26.000	28.500/28.521	22.500			BC-LF	55-4856	55-4856 SEMI [46]

	JH5109 (NBR)	NA5255 35.00x47.00x7.00mm, PTFE/ACM NA5118 80.00x100.00x9.00mm, PTFE

1202

 **76.00**

Diesel



K9K 796

4 Cyl.

18.8:1

1461cc





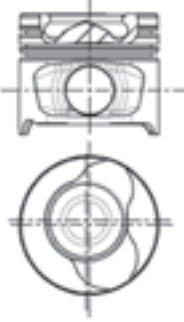
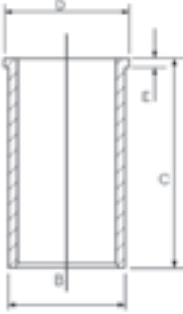




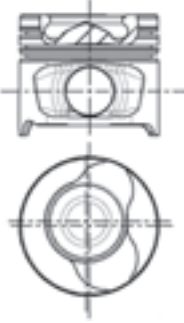




63kW (86)PS











TD26080






434

LOGAN

02/08 →

							
87-123400-00 87-123407-00	STD 0.50mm		08-123400-00 08-123407-00	STD 0.50mm			
A 41.69 B- 13.70 BØ 39.70 C 0.60 D 66.05  25x60 RT TP		2.00  CK P 2.00  P 2.50  NT					
87-123400-10 87-123407-10	STD 0.50mm		08-123400-00 08-123407-00	STD 0.50mm			
A 41.82 B- 13.70 BØ 39.70 C 0.60 D 66.05  26x60 RT TP			2.00  CK P 2.00  P 2.50  NT				

									
BE/PL	4	43.964/43.980	47.614/47.625	17.750	1.807	0.020/0.047	BS	71-4243L	71-4243/4 STD 0.25 0.50
BE/PL	4	43.964/43.980	47.614/47.625	20.750	1.807	0.020/0.047	BS	71-4243U	
MB/HL 1-5	5	47.990/48.010	51.936/51.949	19.500	1.950	0.026/0.059	AL-LF	02-4241	H1065/5 STD 0.25 0.50
TW/A	2	53.000/53.250	73.670/73.920		2.850		AL-LF	04-4048	A168/2 STD
SE/PB	1	25.995/26.000	28.500/28.521	22.500			BC-LF	55-4856	55-4856 SEMI [46]

		
	JH5109 (NBR)	NA5255  35.00x47.00x7.00mm, PTFE/ACM NA5118  80.00x100.00x9.00mm, PTFE

RENAULT/DACIA

1203



76.00

Diesel



K9K 796 4 Cyl. 18.8:1 1461cc 63kW (86)PS TD22403 434

DUSTER 04/10 → LOGAN 09/07 → LOGAN MCV 09/07 →
SANDERO 11/08 →

 87-123400-20 STD 87-123407-20 0.50mm A 41.70 B- 14.00 BØ 39.70 C 0.43 C 0.25 D 66.00 26x60 AK KK RT TP	 08-123400-00 STD 08-123407-00 0.50mm 2.00 CK P 2.00 P 2.50 NT	 14-020650-00 D B 79.10 C 142.00 D 81.00 E 5.00 	
--	--	--	--

BE/PL	4	43.964/43.980	47.614/47.625	17.750	1.807	0.020/0.047	BS	71-4243L	71-4243/4 STD 0.25 0.50
BE/PL	4	43.964/43.980	47.614/47.625	20.750	1.807	0.020/0.047	BS	71-4243U	
MB/HL 1-5	5	47.990/48.010	51.936/51.949	19.500	1.950	0.026/0.059	AL-LF	02-4241	H1065/5 STD 0.25 0.50
TW/A	2	53.000/53.250	73.670/73.920		2.850		AL-LF	04-4048	A168/2 STD
SE/PB	1	25.995/26.000	28.500/28.521	22.500			BC-LF	55-4856	55-4856 SEMI [46]

	JH5109 (NBR)	NA5255 35.00x47.00x7.00mm, PTFE/ACM NA5118 80.00x100.00x9.00mm, PTFE

1204



76.00

Diesel



K9K 832 Euro 4 4 Cyl. 15.3:1 1461cc 78kW (106)PS TD23521 442

FLUENCE 06/05 → GRAND SCÉNIC 02/09 → SCÉNIC 02/09 →

 87-123400-30 STD 87-123407-30 0.50mm A 41.70 B- 12.80 BØ 49.00 C 0.43 C 0.25 D 66.00 26x60 AK KK RT TP	 08-123400-30 STD 08-123407-30 0.50mm 2.00 CK P 2.00 P 2.50 CR P 	 14-020650-00 D B 79.10 C 142.00 D 81.00 E 5.00 	
--	--	--	--

07657-401

...Continued

1204		76.00		Diesel					
BE/PL	4	43.964/43.980	47.614/47.625	17.750	1.807	0.020/0.047	BS	71-4243L	71-4243/4 STD 0.25 0.50
BE/PL	4	43.964/43.980	47.614/47.625	20.750	1.807	0.020/0.047	BS	71-4243U	
MB/HL 1-5	5	47.990/48.010	51.936/51.949	19.500	1.950	0.026/0.059	AL-LF	02-4241	H1065/5 STD 0.25 0.50
TW/A	2	53.000/53.250	73.670/73.920		2.850		AL-LF	04-4048	A168/2 STD
SE/PB	1	25.995/26.000	28.500/28.521	22.500			BC-LF	55-4856	55-4856 SEMI [46]
JH5109 (NBR)						NA5255 35.00x47.00x7.00mm, PTFE/ACM NA5118 80.00x100.00x9.00mm, PTFE			

1205		76.00		Diesel					
K9K 892	4 Cyl.	17.6:1	1461cc	55-66kW (75-90)PS		TD24780	446		
K9K 894	4 Cyl.	17.6:1	1461cc	66-67kW (90-91)PS		TD24783	446		
K9K 896	4 Cyl.	17.6:1	1461cc	79kW (107)PS		TD24784	446		
K9K 898	4 Cyl.	17.6:1	1461cc	79-80kW (107-109)PS		TD24785	446		
DUSTER	06/10→	LOGAN	05/10→	LOGAN MCV	05/10→				
SANDERO	05/10→								

08-123400-00	STD	08-123407-00	0.50mm	2.00		CK P			
				2.00		P			
				2.50		NT			

BE/PL	4	43.964/43.980	47.614/47.625	17.750	1.807	0.020/0.047	BS	71-4243L	71-4243/4 STD 0.25 0.50
BE/PL	4	43.964/43.980	47.614/47.625	20.750	1.807	0.020/0.047	BS	71-4243U	
MB/HL 1-5	5	47.990/48.010	51.936/51.949	19.500	1.950	0.026/0.059	AL-LF	02-4241	H1065/5 STD 0.25 0.50
TW/A	2	53.000/53.250	73.670/73.920		2.850		AL-LF	04-4048	A168/2 STD
SE/PB	1	25.995/26.000	28.500/28.521	22.500			BC-LF	55-4856	55-4856 SEMI [46]
JH5109 (NBR)						NA5255 35.00x47.00x7.00mm, PTFE/ACM NA5118 80.00x100.00x9.00mm, PTFE			

RENAULT/DACIA

1206



77.00

Petrol



807 4 Cyl. 10.3:1 1565cc 63kW (85)PS TD3029 450

16 09/68→08/80

	<p>08-334500-00 STD</p> <p>1.75 CR P 2.00 P 4.00 CR [26]</p>		

[26] Steel [26] Acier [26] Acciaio [26] Acero

BE/PL	4	48.002/48.018	51.587/51.600	21.750	1.768	0.033/0.087	AL-LF	60475RA	01-4169/4 STD 0.25
MB/HL 1-5	5	54.803/54.813	58.731/58.750	20.500	1.950	0.020/0.072	AL-LF	60476RA	H1034/5 STD 0.25 0.50
TW/A	2	60.500/60.750	79.750/80.000		2.850		AL-LF	60476BF	A195/2 STD 0.10

EG150 [41] [42]	PA349 22.00x16.00x2.000mm	NF685 45.00x60.00x10.00mm, ACM NF835 80.00x100.00x8.00mm, FPM/ACM

[41] Supplementary Article/Supplementary Info 2: [41] Article complémentaire / Info complémentaire 2: [41] Artículo complementario / Información complementaria 2: [41] Articolo complementare/Info integrativa 2:
With cylinder sleeve ring avec deux bagues de chemises de cylindre complementaria 2: con segmentos para camisa Con anello tenuta canna cilindro

[42] Supplementary Article/Supplementary Info: [42] Article complémentaire / Info complémentaire: avec joints [42] Artículo complementario/Información complementaria: con juntas [42] Articolo complementare/Info integrativa: con guarnizioni

1207



77.00

Petrol



807.03 4 Cyl. 8.6:1 1565cc 61kW (82)PS TD18884

	<p>08-334500-00 STD</p> <p>1.75 CR P 2.00 P 4.00 CR [26]</p>		

[26] Steel [26] Acier [26] Acciaio [26] Acero

BE/PL	4	48.002/48.018	51.587/51.600	21.750	1.768	0.033/0.087	AL-LF	60475RA	01-4169/4 STD 0.25
MB/HL 1-5	5	54.803/54.813	58.731/58.750	20.500	1.950	0.020/0.072	AL-LF	60476RA	H1034/5 STD 0.25 0.50
TW/A	2	60.500/60.750	79.750/80.000		2.850		AL-LF	60476BF	A195/2 STD 0.10

1208	77.00	Petrol			
807.04	4 Cyl.	8.6:1	1565cc	61kW (83)PS	TD21384
807.05	4 Cyl.	8.6:1	1565cc	61kW (83)PS	TD21385
807.20	4 Cyl.		1565cc	83kW (113)PS	TD19214
821.03	4 Cyl.	8.6:1	1565cc	40-48kW (54-65)PS	TD21388
821.04	4 Cyl.	8.6:1	1565cc	40-48kW (54-65)PS	TD21389
821.20	4 Cyl.	10.25:1	1565cc	83kW (113)PS	TD12308
12	08/70→07/75	16	09/68→08/80		

	08-334500-00 STD		
	1.75	CR P	
	2.00	P	
	4.00	CR [26]	

[26] Steel [26] Acier [26] Acciaio [26] Acero

BE/PL	4	48.002/48.018	51.587/51.600	21.750	1.768	0.033/0.087	AL-LF	60475RA	01-4169/4 STD 0.25
MB/HL 1-5	5	54.803/54.813	58.731/58.750	20.500	1.950	0.020/0.072	AL-LF	60476RA	H1034/5 STD 0.25 0.50
TW/A	2	60.500/60.750	79.750/80.000		2.850		AL-LF	60476BF	A195/2 STD 0.10

		NF634 80.00x100.00x13.00mm, MVQ

1209	77.00	Petrol			
807.10	4 Cyl.	9.25:1	1565cc	66kW (90)PS	TD22182
821.10	4 Cyl.	8.6:1	1565cc	50kW (68)PS	TD14890
821.11	4 Cyl.	8.6:1	1565cc	50kW (68)PS	TD22247
A5L 717	4 Cyl.	8.6:1	1565cc	92kW (125)PS	TD3088 453
A5L 718	4 Cyl.	8.6:1	1565cc	92kW (125)PS	TD5430 453
12	08/70→08/76	15	03/72→10/80	17	03/72→10/80
18	10/82→07/86				

BE/PL	4	48.002/48.018	51.587/51.600	21.750	1.768	0.033/0.087	AL-LF	60475RA	01-4169/4 STD 0.25
MB/HL 1-5	5	54.803/54.813	58.731/58.750	20.500	1.950	0.020/0.072	AL-LF	60476RA	H1034/5 STD 0.25 0.50
TW/A	2	60.500/60.750	79.750/80.000		2.850		AL-LF	60476BF	A195/2 STD 0.10

		NF634 80.00x100.00x13.00mm, MVQ

RENAULT/DACIA

1210



77.00

Petrol



821 4 Cyl. 8.6:1 1565cc 49kW (66)PS TD3042 451

16 01/71→08/80

			08-334500-00 STD 1.75 CR P 2.00 P 4.00 CR [26]								

[26] Steel [26] Acier [26] Acciaio [26] Acero

BE/PL	MB/HL 1-5	TW/A	48.002/48.018	51.587/51.600	21.750	1.768	0.033/0.087	AL-LF	60475RA	01-4169/4 STD 0.25
			54.803/54.813	58.731/58.750	20.500	1.950	0.020/0.072	AL-LF	60476RA	H1034/5 STD 0.25 0.50
			60.500/60.750	79.750/80.000		2.850		AL-LF	60476BF	A195/2 STD 0.10

--	--	--

EG150 [41][42] **PA349** 22.00x16.00x2.000mm **NF685** 45.00x60.00x10.00mm, ACM
NF835 80.00x100.00x8.00mm, FPM/ACM
NF634 80.00x100.00x13.00mm, MVQ

[41] Supplementary Article/Supplementary Info 2: With cylinder sleeve ring
 [42] Supplementary Article/Supplementary Info: with gaskets/seals
 [41] Article complémentaire / Info complémentaire 2: avec deux bagues de chemises de cylindre
 [42] Article complémentaire / Info complémentaire: avec joints
 [41] Artículo complementario/ Información complementaria 2: con segmentos para camisa
 [42] Artículo complementario/Información complementaria: con juntas
 [41] Articolo complementare/Info integrativa 2: Con anello tenuta canna cilindro
 [42] Articolo complementare/Info integrativa: con guarnizioni

1211



77.00

Petrol



807 727 4 Cyl. 10.3:1 1565cc 63kW (85)PS TD3030 452

18 10/80→07/86

			08-334500-00 STD 1.75 CR P 2.00 P 4.00 CR [26]								

[26] Steel [26] Acier [26] Acciaio [26] Acero

BE/PL	MB/HL 1-5	TW/A	48.002/48.018	51.587/51.600	21.750	1.768	0.033/0.087	AL-LF	60475RA	01-4169/4 STD 0.25
			54.803/54.813	58.731/58.750	20.500	1.950	0.020/0.072	AL-LF	60476RA	H1034/5 STD 0.25 0.50
			60.500/60.750	79.750/80.000		2.850		AL-LF	60476BF	A195/2 STD 0.10

...Continued

1211	77.00	Petrol
EF870 [41][42]	PA349 22.00x16.00x2.000mm	NF786 45.00x60.00x10.00mm, MVQ NF835 80.00x100.00x8.00mm, FPM/ACM
[41] Supplementary Article/Supplementary Info 2: With cylinder sleeve ring	[41] Article complémentaire / Info complémentaire 2: avec deux bagues de chemises de cylindre	[41] Artículo complementario/ Información complementaria 2: con segmentos para camisa
[42] Supplementary Article/Supplementary Info: with gaskets/seals	[42] Article complémentaire / Info complémentaire: avec joints	[42] Artículo complementario/Información complementaria: con juntas
		[41] Articolo complementare/Info integrativa 2: Con anello tenuta canna cilindro
		[42] Articolo complementare/Info integrativa: con guarnizioni

1212	77.00	Petrol				
A5L 750	4 Cyl.	8.1:1	1565cc	97kW (132)PS	TD3089	452
FUEGO	08/83→10/85					

BE/PL	4	48.002/48.018	51.587/51.600	21.750	1.768	0.033/0.087	AL-LF	60475RA	01-4169/4 STD 0.25
MB/HL 1-5	5	54.803/54.813	58.731/58.750	20.500	1.950	0.020/0.072	AL-LF	60476RA	H1034/5 STD 0.25 0.50
TW/A	2	60.500/60.750	79.750/80.000		2.850		AL-LF	60476BF	A195/2 STD 0.10

EF870 [41][42]	PA349 22.00x16.00x2.000mm	NF685 45.00x60.00x10.00mm, ACM NF786 45.00x60.00x10.00mm, MVQ NF835 80.00x100.00x8.00mm, FPM/ACM NF634 80.00x100.00x13.00mm, MVQ
[41] Supplementary Article/Supplementary Info 2: With cylinder sleeve ring	[41] Article complémentaire / Info complémentaire 2: avec deux bagues de chemises de cylindre	[41] Artículo complementario/ Información complementaria 2: con segmentos para camisa
[42] Supplementary Article/Supplementary Info: with gaskets/seals	[42] Article complémentaire / Info complémentaire: avec joints	[42] Artículo complementario/Información complementaria: con juntas
		[41] Articolo complementare/Info integrativa 2: Con anello tenuta canna cilindro
		[42] Articolo complementare/Info integrativa: con guarnizioni

1213	77.00	Petrol			
A7L 723	4 Cyl.	8:1	1565cc	81kW (110)PS	TD3092

BE/PL	4	48.002/48.018	51.587/51.600	21.750	1.768	0.033/0.087	AL-LF	60475RA	01-4169/4 STD 0.25
MB/HL 1-5	5	54.803/54.813	58.731/58.750	20.500	1.950	0.020/0.072	AL-LF	60476RA	H1034/5 STD 0.25 0.50
TW/A	2	60.500/60.750	79.750/80.000		2.850		AL-LF	60476BF	A195/2 STD 0.10

RENAULT/DACIA

1214


77.00
Petrol

C2L 714 4 Cyl. 9:1 1565cc **51kW (70)PS** **TD3170**

BE/PL	4	43.964/43.980	47.614/47.625	17.750	1.806	0.020/0.074	AL-LF	2950RAA	01-4138/4 STD 0.25 0.50 0.75
MB/HL 1-5	5	54.785/54.805	58.731/58.750	19.500	1.950	0.026/0.090	AL-LF	62013RA	H1042/5 STD 0.25 0.50 0.75
TW/A	2	60.500/60.750	79.750/80.000		2.850		AL-LF	60476BF	A195/2 STD 0.10

1215


78.00
Diesel

F8M 700 4 Cyl. 22.5:1 1596cc **40kW (54)PS** **TD3282** **454**
9 10/82 → 12/88 **11** 08/83 → 12/88

87-335000-10 [36] 87-335007-10 [36]	STD 0.50mm		08-335000-10 STD 08-335003-10 0.125mm 08-335005-10 0.25mm 08-335007-10 0.50mm		14-023730-00 D C 149.00 D 83.50 E 4.50			
A 47.25 B- 1.50 D 74.50 24x67			2.00 CR P 2.00 P 3.00 CR P					

[36] No oil-jet cut out

[36] Sans encoche en bas de jupe pour le passage de la pissette d'huile sous pression



[36] Senza passaggio per spruzzatore olio

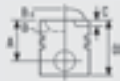

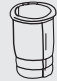







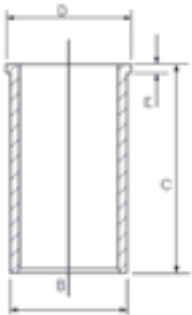
[36] Sin escotadura


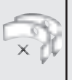

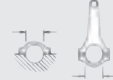






BE/PL	4	48.000/48.020	51.587/51.600	20.500	1.768	0.031/0.089	BS	4060CP	71-4311/4 STD 0.25 0.50
MB/HL 1-5	5	54.785/54.795	58.731/58.744	18.500	1.945	0.046/0.094	AL-LF	66741RA	H1080/5 STD 0.25 0.50
TW/A	2	60.500/60.750	79.750/80.000		2.350		AL-LF	66741AF	A215/2 STD 0.10
SE/PB	1	26.013/26.025	29.000/29.021	22.900			BS	66509Y	55-4394 SEMI



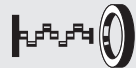


--	--	--





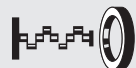

NF843 50.00x68.00x10.00mm, FPM/ACM
NF850 85.00x105.00x8.00mm, FPM

1216	 78.00	Diesel				
F8M 720	4 Cyl.	22.5:1	1596cc	40kW (54)PS	TD3283	454
F8M 730	4 Cyl.	22.5:1	1596cc	40kW (54)PS	TD3284	454
F8M 736	4 Cyl.	22.5:1	1596cc	40kW (54)PS	TD3285	454
F8M 760	4 Cyl.	22.5:1	1596cc	40kW (54)PS	TD3286	454
9	10/82→12/88	11	08/83→12/88	RAPID	03/86→08/98	
SUPER 5	10/84→12/96					

			
87-335000-00 87-335007-00	STD 0.50mm		08-335000-10 STD 08-335003-10 0.125mm 08-335005-10 0.25mm 08-335007-10 0.50mm
A 47.25 B- 1.50 D 74.50  24x67			14-023730-00 D C 149.00 D 83.50 E 4.50
AK		2.00  CR P 2.00  P 3.00  CR P	

									
BE/PL	4	48.000/48.020	51.587/51.600	20.500	1.768	0.031/0.089	BS	4060CP	71-4311/4 STD 0.25 0.50
MB/HL 1-5	5	54.785/54.795	58.731/58.744	18.500	1.945	0.046/0.094	AL-LF	66741RA	H1080/5 STD 0.25 0.50
TW/A	2	60.500/60.750	79.750/80.000		2.350		AL-LF	66741AF	A215/2 STD 0.10
SE/PB	1	26.013/26.025	29.000/29.021	22.900			BS	66509Y	55-4394 SEMI

		
		NF843  50.00x68.00x10.00mm, FPM/ACM NF850  85.00x105.00x8.00mm, FPM

1217	 78.00	Petrol		
844.12	4 Cyl.	1605cc	76-79kW (103-108)PS	TD3615
17	03/74→10/80			
				
		NF634  80.00x100.00x13.00mm, MVQ		

1218


79.00
Petrol


843	4 Cyl.	9.3:1	1647cc	66kW (89)PS	TD3058	455
A1M 707	4 Cyl.	8.3:1	1647cc	48-49kW (65-67)PS	TD3082	456
16	06/74→08/80	20	10/75→05/77	TRAFIC	03/80→08/86	

08-334300-00 STD 1.75 CR P 2.00 P 4.00 CR [26]			

[26] Steel [26] Acier [26] Acciaio [26] Acero

BE/PL	4	48.002/48.018	51.587/51.600	21.750	1.768	0.033/0.087	AL-LF	60475RA	01-4169/4 STD 0.25
MB/HL 1-5	5	54.803/54.813	58.731/58.750	20.500	1.950	0.020/0.072	AL-LF	60476RA	H1034/5 STD 0.25 0.50
TW/A	2	60.500/60.750	79.750/80.000		2.850		AL-LF	60476BF	A195/2 STD 0.10

EF870 [41][42]	PA349 22.00x16.00x2.00mm	NF685 45.00x60.00x10.00mm, ACM NF786 45.00x60.00x10.00mm, MVQ NF835 80.00x100.00x8.00mm, FPM/ACM NF634 80.00x100.00x13.00mm, MVQ

[41] Supplementary Article/Supplementary Info 2: With cylinder sleeve ring
 [42] Supplementary Article/Supplementary Info: with gaskets/seals

[41] Article complémentaire / Info complémentaire 2: avec deux bagues de chemises de cylindre
 [42] Article complémentaire / Info complémentaire: avec joints

[41] Artículo complementario / Información complementaria 2: con segmentos para camisa
 [42] Artículo complementario/Información complementaria: con juntas

[41] Articolo complementare/Info integrativa 2: Con anello tenuta canna cilindro
 [42] Articolo complementare/Info integrativa: con guarnizioni

1219


79.00
Petrol







843.01	4 Cyl.	9.25:1	1647cc	66-68kW (90-92)PS	TD21391	
843.05	4 Cyl.	9.25:1	1647cc	53-72kW (72-98)PS	TD21381	
16	06/74→08/80	17	06/74→08/79			



08-334300-00 STD 1.75 CR P 2.00 P 4.00 CR [26]			











[26] Steel [26] Acier [26] Acciaio [26] Acero



BE/PL	4	48.002/48.018	51.587/51.600	21.750	1.768	0.033/0.087	AL-LF	60475RA	01-4169/4 STD 0.25
MB/HL 1-5	5	54.803/54.813	58.731/58.750	20.500	1.950	0.020/0.072	AL-LF	60476RA	H1034/5 STD 0.25 0.50
TW/A	2	60.500/60.750	79.750/80.000		2.850		AL-LF	60476BF	A195/2 STD 0.10


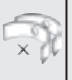








...Continued





1219	 79.00	Petrol
		
		NF634  80.00x100.00x13.00mm, MVQ

1220	 79.00	Petrol			
843.20	4 Cyl.	9.3:1	1647cc	66-71kW (90-97)PS	TD22346

									
BE/PL	4	48.002/48.018	51.587/51.600	21.750	1.768	0.033/0.087	AL-LF	60475RA	01-4169/4 STD 0.25
MB/HL 1-5	5	54.803/54.813	58.731/58.750	20.500	1.950	0.020/0.072	AL-LF	60476RA	H1034/5 STD 0.25 0.50
TW/A	2	60.500/60.750	79.750/80.000		2.850		AL-LF	60476BF	A195/2 STD 0.10

1221	 79.00	Petrol			
843 718	4 Cyl.	9.3:1	1647cc	61kW (82)PS	TD3060
843.21	4 Cyl.	9.3:1	1647cc	66-71kW (89-97)PS	TD5381
843.719	4 Cyl.	9.3:1	1647cc	61kW (82)PS	TD3063
A2M 725	4 Cyl.	9.3:1	1647cc	71kW (96)PS	TD3086
A2M 726	4 Cyl.	9.3:1	1647cc	71kW (96)PS	TD3087

									
BE/PL	4	48.002/48.018	51.587/51.600	21.750	1.768	0.033/0.087	AL-LF	60475RA	01-4169/4 STD 0.25
MB/HL 1-5	5	54.803/54.813	58.731/58.750	20.500	1.950	0.020/0.072	AL-LF	60476RA	H1034/5 STD 0.25 0.50
TW/A	2	60.500/60.750	79.750/80.000		2.850		AL-LF	60476BF	A195/2 STD 0.10

		
		NB628  45.00x60.00x9.00mm, ACM

RENAULT/DACIA

1222



79.00

Petrol



841 705	4 Cyl.	9.3:1	1647cc	48-49kW (65-67)PS	TD3057
843 720	4 Cyl.	9.3:1	1647cc	71kW (96)PS	TD3059
843 721	4 Cyl.	9.3:1	1647cc	71kW (96)PS	TD5429
843 723	4 Cyl.	9.3:1	1647cc	69-71kW (96-97)PS	TD3061
843 724	4 Cyl.	9.3:1	1647cc	69-71kW (96-97)PS	TD3062
A1M 705	4 Cyl.	9.3:1	1647cc	48kW (65)PS	TD12868
A6M 725	4 Cyl.	9.3:1	1647cc	71kW (96)PS	TD3090
A6M 726	4 Cyl.	9.3:1	1647cc	71kW (96)PS	TD3091

18	05/82→07/86	20	05/77→12/83	FUEGO	10/80→10/85
TRAFIC	03/80→06/86				

BE/PL	4	48.002/48.018	51.587/51.600	21.750	1.768	0.033/0.087	AL-LF	60475RA	01-4169/4 STD 0.25
MB/HL 1-5	5	54.803/54.813	58.731/58.750	20.500	1.950	0.020/0.072	AL-LF	60476RA	H1034/5 STD 0.25 0.50
TW/A	2	60.500/60.750	79.750/80.000		2.850		AL-LF	60476BF	A195/2 STD 0.10

		NF634 80.00x100.00x13.00mm, MVQ

1223



79.00

Petrol








841 717	4 Cyl.	9.3:1	1647cc	54kW (73)PS	TD4854
841 725	4 Cyl.	9.3:1	1647cc	58kW (79)PS	TD3056
841 726	4 Cyl.	9.3:1	1647cc	58kW (79)PS	TD3055
A1M 708	4 Cyl.	9.3:1	1647cc	48-49kW (65-67)PS	TD3083



18	04/78→07/86	TRAFIC	01/83→06/86
----	-------------	--------	-------------




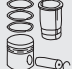




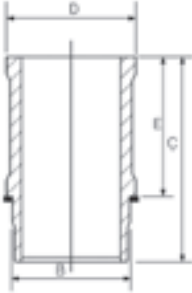
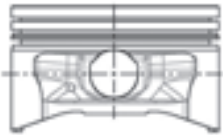
87-334300-00	STD	08-334300-00	STD	B 84.00	C 143.50	D 96.00	E 92.60	89-334300-00	
A 40.50		1.75	CR P						
D 65.90		2.00	P						
21x69		4.00	CR [26]						
[26] Steel	[26] Acier	[26] Acciaio	[26] Acero						

BE/PL	4	48.002/48.018	51.587/51.600	21.750	1.768	0.033/0.087	AL-LF	60475RA	01-4169/4 STD 0.25
MB/HL 1-5	5	54.803/54.813	58.731/58.750	20.500	1.950	0.020/0.072	AL-LF	60476RA	H1034/5 STD 0.25 0.50
TW/A	2	60.500/60.750	79.750/80.000		2.850		AL-LF	60476BF	A195/2 STD 0.10



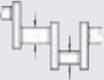







...Continued





1223	 79.00	Petrol
		
		NF634  80.00x100.00x13.00mm, MVQ



1224	 79.00	Petrol			
A2M 723	4 Cyl.	9.3:1	1647cc	54kW (73)PS	TD5055
18	01/82→11/93	FUEGO	04/83→10/85		


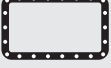




			
87-334300-00 STD	08-334300-00 STD	B 84.00 C 143.50 D 96.00 E 92.60	89-334300-00
A 40.50 D 65.90  21x69	1.75  CR P 2.00  P 4.00  CR [26]		
			

[26] Steel [26] Acier [26] Acciaio [26] Acero

									
BE/PL	4	48.002/48.018	51.587/51.600	21.750	1.768	0.033/0.087	AL-LF	60475RA	01-4169/4 STD 0.25
MB/HL 1-5	5	54.803/54.813	58.731/58.750	20.500	1.950	0.020/0.072	AL-LF	60476RA	H1034/5 STD 0.25 0.50
TW/A	2	60.500/60.750	79.750/80.000		2.850		AL-LF	60476BF	A195/2 STD 0.10

		
		NB628  45.00x60.00x9.00mm, ACM

1225	 79.00	Petrol			
A7L 752	4 Cyl.		1647cc	80-82kW (109-112)PS	TD3093 457
18	09/82→09/86				

		
 EF870 [41][42]	PA349 22.00x16.00x2.000mm	NF786  45.00x60.00x10.00mm, MVQ NF835  80.00x100.00x8.00mm, FPM/ACM

[41] Supplementary Article/Supplementary Info 2: With cylinder sleeve ring
 [42] Supplementary Article/Supplementary Info: with gaskets/seals

[41] Article complémentaire / Info complémentaire 2: avec deux bagues de chemises de cylindre
 [42] Article complémentaire / Info complémentaire: avec joints

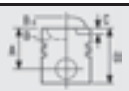









[41] Artículo complementario/ Información complementaria 2: con segmentos para camisa
 [42] Artículo complementario/Información complementaria: con juntas

[41] Articolo complementare/Info integrativa 2: Con anello tenuta canna cilindro
 [42] Articolo complementare/Info integrativa: con guarnizioni



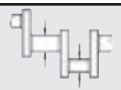
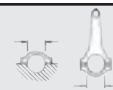






1226
 **79.50**
Petrol







K4J 700	4 Cyl.	10:1	1390cc	72kW (98)PS	TD16342	458
K4J 710 Euro 4	4 Cyl.	10:1	1390cc	72kW (98)PS	TD19673	459
K4J 711 Euro 4	4 Cyl.	10:1	1390cc	72kW (98)PS	TD19672	459
K4J 712	4 Cyl.	10:1	1390cc	70-72kW (95-98)PS	TD14330	459
K4J 713	4 Cyl.	10:1	1390cc	72kW (98)PS	TD14331	459
K4J 714	4 Cyl.	10:1	1390cc	70kW (95)PS	TD16349	459
K4J 730	4 Cyl.	10:1	1390cc	72kW (98)PS	TD16531	459
K4J 732	4 Cyl.	10:1	1390cc	60kW (82)PS	TD20910	459
K4J 750	4 Cyl.	10:1	1390cc	70kW (95)PS	TD13310	459
K4J 770	4 Cyl.	10:1	1390cc	72kW (98)PS	TD18422	459
K4J 780	4 Cyl.	10:1	1390cc	72kW (98)PS	TD18533	463

CLIO	10/99→	CLIO Grandtour	02/10→	MEGANE	03/99→
MODUS / GRAND MODUS	12/04→	SCÉNIC	09/99→	THALIA	08/00→

			
	08-104200-00 STD 08-104207-00 0.50mm 1.50  CR P 1.50  P 2.50  CR [26]		
	08-105200-00 STD 08-105207-00 0.50mm 1.20  NT [26] 1.50  P 2.50  CR [26]		

[26] Steel [26] Acier [26] Acciaio [26] Acero

									
BE/PL	4	43.964/43.980	47.614/47.625	17.750	1.806	0.020/0.074	AL-LF	2950RAA	01-4138/4 STD 0.25 0.50 0.75
MB/HL 1-5	5	47.990/48.010	51.936/51.949	19.500	1.950	0.026/0.059	AL-LF	02-4241	H1065/5 STD 0.25 0.50

		
	JH5108	NA5016  35.00x47.00x7.00mm, FPM/ACM NF835  80.00x100.00x8.00mm, FPM/ACM

1227	79.50	Petrol				
K4J 715	4 Cyl.	10:1	1390cc	70-72kW (95-98)PS	TD20907	460

	08-104200-00 STD 08-104207-00 0.50mm 1.50 CR P 1.50 P 2.50 CR [26]		
	08-105200-00 STD 08-105207-00 0.50mm 1.20 NT [26] 1.50 P 2.50 CR [26]		

[26] Steel [26] Acier [26] Acciaio [26] Acero

BE/PL	4	43.964/43.980	47.614/47.625	17.750	1.806	0.020/0.074	AL-LF	2950RAA	01-4138/4 STD 0.25 0.50 0.75
MB/HL 1-5	5	47.990/48.010	51.936/51.949	19.500	1.950	0.026/0.059	AL-LF	02-4241	H1065/5 STD 0.25 0.50

	JH5108	

1228	79.50	Petrol				
K4J 718	4 Cyl.		1390cc	70kW (95)PS	TD27308	461
K4J D 729	4 Cyl.	10:1	1390cc	72kW (98)PS	TD20822	461

BE/PL	4	43.964/43.980	47.614/47.625	17.750	1.806	0.020/0.074	AL-LF	2950RAA	01-4138/4 STD 0.25 0.50 0.75
MB/HL 1-5	5	47.990/48.010	51.936/51.949	19.500	1.950	0.026/0.059	AL-LF	02-4241	H1065/5 STD 0.25 0.50

RENAULT/DACIA

1229



79.50

Petrol



K4J 740	4 Cyl.	10:1	1390cc	72kW (98)PS	TD21208	462
K4M 694	4 Cyl.	9.8:1	1598cc	77kW (105)PS	TD24876	472
K4M 696	4 Cyl.	9.8:1	1598cc	77kW (105)PS	TD24781	473
K4M D 812	4 Cyl.	10:1	1598cc	82kW (112)PS	TD21107	497

DUSTER	04/10 →	LOGAN	02/06 →	LOGAN MCV	02/07 →
MEGANE	11/02 →	SANDERO	01/11 →	SCÉNIC	06/03 →

	<p>08-104200-00 STD 08-104207-00 0.50mm</p> <p>1.50 CR P 1.50 P 2.50 CR [26]</p> <p>08-105200-00 STD 08-105207-00 0.50mm</p> <p>1.20 NT [26] 1.50 P 2.50 CR [26]</p>		

[26] Steel [26] Acier [26] Acciaio [26] Acero

BE/PL	4	43.964/43.980	47.614/47.625	17.750	1.806	0.020/0.074	AL-LF	2950RAA	01-4138/4 STD 0.25 0.50 0.75
MB/HL 1-5	5	47.990/48.010	51.936/51.949	19.500	1.950	0.026/0.059	AL-LF	02-4241	H1065/5 STD 0.25 0.50

		<p>NA5016 35.00x47.00x7.00mm, FPM/ACM NF835 80.00x100.00x8.00mm, FPM/ACM</p>

1230



79.50

Petrol





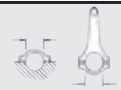















K4J D 740	4 Cyl.	10:1	1390cc	72kW (98)PS	TD19686	464
-----------	--------	------	--------	-------------	---------	-----

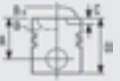

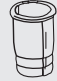


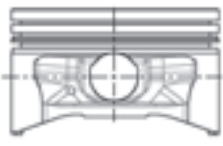



	<p>08-104200-00 STD 08-104207-00 0.50mm</p> <p>1.50 CR P 1.50 P 2.50 CR [26]</p> <p>08-105200-00 STD 08-105207-00 0.50mm</p> <p>1.20 NT [26] 1.50 P 2.50 CR [26]</p>		


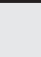












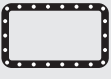



[26] Steel [26] Acier [26] Acciaio [26] Acero

...Continued

1230  79.50 Petrol											
											
BE/PL	4	43.964/43.980	47.614/47.625	17.750	1.806	0.020/0.074	AL-LF	2950RAA	01-4138/4 STD 0.25 0.50 0.75		
MB/HL 1-5	5	47.990/48.010	51.936/51.949	19.500	1.950	0.026/0.059	AL-LF	02-4241	H1065/5 STD 0.25 0.50		
											
NF835  80.00x100.00x8.00mm, FPM/ACM											

1231  79.50 Petrol 										
K7J 710	4 Cyl.	9.5:1	1390cc	55kW (75)PS				TD18138	465	
K7J 714	4 Cyl.	9.5:1	1390cc	55kW (75)PS				TD23530	467	
LOGAN	09/04 →	SANDERO/STEPWAY			02/09 →					

			
87-104200-40 87-104207-40	STD 0.50mm	08-104200-00 08-104207-00	STD 0.50mm
A 35.83 D 58.00  19x62		1.50  CR P 1.50  P 2.50  CR [26]	
[26] Steel	[26] Acier	[26] Acciaio	[26] Acero

1231  79.50 Petrol 											
											
BE/PL	4	43.964/43.980	47.614/47.625	17.750	1.806	0.020/0.074	AL-LF	2950RAA	01-4138/4 STD 0.25 0.50 0.75		
TW/A	2	60.500/60.750	79.750/80.000		2.850		AL-LF	60476BF	A195/2 STD 0.10		
											
NA5016  35.00x47.00x7.00mm, FPM/ACM NF835  80.00x100.00x8.00mm, FPM/ACM											

1232



79.50

Petrol



K7J 710	4 Cyl.	9.5:1	1390cc	55kW (75)PS	TD18140	465
K7J 714	4 Cyl.	9.5:1	1390cc	53kW (72)PS	TD23531	466



LOGAN	09/04→	LOGAN MCV	02/07→	SANDERO	06/08→
SOLENZA	02/03→				

87-104200-40	STD	08-104200-00	STD				
87-104207-40	0.50mm	08-104207-00	0.50mm				
A 35.83		1.50	CR P				
D 58.00		1.50	P				
19x62		2.50	CR [26]				
		08-105200-00	STD				
		08-105207-00	0.50mm				
		1.20	NT [26]				
		1.50	P				
		2.50	CR [26]				


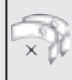

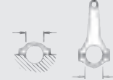






[26] Steel [26] Acier [26] Acciaio [26] Acero




BE/PL	4	43.964/43.980	47.614/47.625	17.750	1.806	0.020/0.074	AL-LF	2950RAA	01-4138/4 STD 0.25 0.50 0.75
TW/A	2	60.500/60.750	79.750/80.000		2.850		AL-LF	60476BF	A195/2 STD 0.10



		NA5016 35.00x47.00x7.00mm, FPM/ACM NF835 80.00x100.00x8.00mm, FPM/ACM

1233	 79.50	Petrol				
K4M 606	4 Cyl.	9.8:1	1598cc	77kW (105)PS	TD24782	468
K4M 616	4 Cyl.		1598cc	75kW (102)PS	TD27695	469
K4M 707	4 Cyl.	10:1	1598cc	79-80kW (107-109)PS	TD26523	
K4M 718	4 Cyl.	10:1	1598cc	76kW (103)PS	TD21162	472
K4M 762	4 Cyl.	10:1	1598cc	77kW (105)PS	TD21202	486
K4M 766	4 Cyl.	10:1	1598cc	82kW (112)PS	TD26524	
K4M 768	4 Cyl.	10:1	1598cc	75kW (102)PS	TD21203	472
K4M 776	4 Cyl.	10:1	1598cc	79kW (107)PS	TD26525	
K4M 788	4 Cyl.	10:1	1598cc	77kW (105)PS	TD21204	480
K4M 792	4 Cyl.	10:1	1598cc	65kW (88)PS	TD20894	490
K4M 794	4 Cyl.	10:1	1598cc	65kW (88)PS	TD20895	491
K4M 8 788	4 Cyl.	9.8:1	1598cc	78-75kW (106-102)PS	TD19690	
K4M 812	4 Cyl.	10:1	1598cc	82kW (112)PS	TD21294	493
K4M 813	4 Cyl.	10:1	1598cc	82kW (112)PS	TD26333	494
K4M 824 Euro 4	4 Cyl.	9.8:1	1598cc	81kW (110)PS	TD20814	468
K4M 838	4 Cyl.	9.7:1	1598cc	81kW (110)PS	TD26123	468
K4M 839	4 Cyl.	9.7:1	1598cc	81kW (110)PS	TD26124	468
K4M 848 Euro 4	4 Cyl.	9.8:1	1598cc	74kW (101)PS	TD26527	469
K4M 850	4 Cyl.	10:1	1598cc	78kW (106)PS	TD26565	469
K4M 854 Euro 4	4 Cyl.	11:1	1598cc	98kW (133)PS	TD21229	468
K4M 856 Euro 4	4 Cyl.	9.8:1	1598cc	77kW (105)PS	TD26528	
K4M 858 Euro 4	4 Cyl.	11:1	1598cc	81kW (110)PS	TD23580	495
K4M 862 Euro 4	4 Cyl.	11:1	1598cc	94-98kW (128-133)PS	TD23548	468
K4M 866	4 Cyl.	9.7:1	1598cc	81kW (110)PS	TD23553	495
K4M 9 766	4 Cyl.	10:1	1598cc	81kW (109)PS	TD19687	468
K4M C 812	4 Cyl.	10:1	1598cc	82kW (112)PS	TD21104	496
K4M C 813	4 Cyl.	10:1	1598cc	82kW (112)PS	TD19689	497
K4M D 813	4 Cyl.	10:1	1598cc	82kW (112)PS	TD21105	
K4M P 848	4 Cyl.	9.8:1	1598cc	74kW (101)PS	TD24253	468
K4M R 858	4 Cyl.	9.8:1	1598cc	81kW (110)PS	TD24969	
K4M T 782	4 Cyl.	10:1	1598cc	83kW (113)PS	TD20824	
K4M T 866	4 Cyl.	9.7:1	1598cc	81kW (110)PS	TD23552	
K4M W 761	4 Cyl.	10:1	1598cc	83kW (113)PS	TD20827	

CLIO	06/09→	CLIO Grandtour	11/08→	DUSTER	06/10→
FLUENCE	02/10→	GRAND SCÉNIC	06/06→	KANGOO / GRAND KANGOO	02/08→
KANGOO	06/05→	LAGUNA	06/01→	MEGANE	09/03→
MEGANE CC	06/10→	MODUS / GRAND MODUS	12/04→	SCÉNIC	06/06→
TWINGO	05/08→	WIND	07/10→		

									
BE/PL	4	43.964/43.980	47.614/47.625	17.750	1.806	0.020/0.074	AL-LF	2950RAA	01-4138/4 STD 0.25 0.50 0.75
MB/HL 1-5	5	47.990/48.010	51.936/51.949	19.500	1.950	0.026/0.059	AL-LF	02-4241	H1065/5 STD 0.25 0.50

		
---	---	---

NA5016  35.00x47.00x7.00mm, FPM/ACM
 NF835  80.00x100.00x8.00mm, FPM/ACM

1234



79.50

Petrol





K4M 690	4 Cyl.	9.8:1	1598cc	77kW (105)PS	TD22187	470
K4M 690	4 Cyl.	9.8:1	1598cc	77kW (105)PS	TD20941	471
K4M 697	4 Cyl.	9.8:1	1598cc	77kW (105)PS	TD23897	468
K4M 698	4 Cyl.	9.8:1	1598cc	77kW (105)PS	TD23898	474
K4M 706	4 Cyl.	10:1	1598cc	79kW (107)PS	TD21193	472
K4M 712	4 Cyl.	10:1	1598cc	79kW (107)PS	TD21163	479
K4M 730	4 Cyl.	10:1	1598cc	70kW (95)PS	TD21195	479
K4M 736	4 Cyl.	10:1	1598cc	79kW (107)PS	TD21201	479

DUSTER	04/10 →	LOGAN	02/06 →	LOGAN MCV	02/07 →
SANDERO	01/11 →	SCÉNIC	09/99 → 09/03		

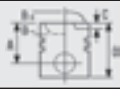


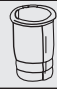









87-104200-30	STD		08-104200-00 STD 08-104207-00 0.50mm 1.50 CR P 1.50 P 2.50 CR [26]						
A 31.70 B- 1.30 C 1.60 D 55.00 20x62		08-105200-00 STD 08-105207-00 0.50mm 1.20 NT [26] 1.50 P 2.50 CR [26]							
[26] Steel	[26] Acier	[26] Acciaio	[26] Acero						

BE/PL	4	43.964/43.980	47.614/47.625	17.750	1.806	0.020/0.074	AL-LF	2950RAA	01-4138/4 STD 0.25 0.50 0.75
MB/HL 1-5	5	47.990/48.010	51.936/51.949	19.500	1.950	0.026/0.059	AL-LF	02-4241	H1065/5 STD 0.25 0.50



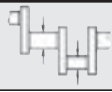
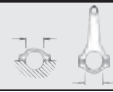






		NA5016 35.00x47.00x7.00mm, FPM/ACM NF835 80.00x100.00x8.00mm, FPM/ACM


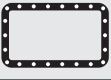



1235	 79.50	Petrol			
K4M 700	4 Cyl.	10:1	1598cc	79/81kW (107/109)PS	TD13308 475
K4M 701	4 Cyl.	10:1	1598cc	79/81kW (107/109)PS	TD13309 475
K4M 704	4 Cyl.	10:1	1598cc	79/81kW (107/109)PS	TD16346 475
K4M 708	4 Cyl.	10:1	1598cc	79/81kW (107/109)PS	TD16345 476
K4M 710	4 Cyl.	10:1	1598cc	79kW (107)PS	TD16214 471
K4M 711	4 Cyl.	10:1	1598cc	79/81kW (107/109)PS	TD16215 478
K4M 714	4 Cyl.	10:1	1598cc	79kW (107)PS	TD21164 475
K4M 716	4 Cyl.	10:1	1598cc	82kW (112)PS	TD21200 480
K4M 720	4 Cyl.	10:1	1598cc	79/81kW (107/109)PS	TD16269 475
K4M 724	4 Cyl.	10:1	1598cc	79/81kW (107/109)PS	TD16270 478
K4M 740	4 Cyl.	10:1	1598cc	79kW (107)PS	TD18445 482
K4M 742	4 Cyl.	10:1	1598cc	66-79kW (90-107)PS	TD20913 482
K4M 743	4 Cyl.	10:1	1598cc	66-79kW (90-107)PS	TD20914 482
K4M 744 Euro 4	4 Cyl.	10:1	1598cc	79kW (107)PS	TD19674 476
K4M 745	4 Cyl.	10:1	1598cc	79kW (107)PS	TD19675 476
K4M 748	4 Cyl.	10:1	1598cc	79/81kW (107/109)PS	TD11567 476
K4M 752	4 Cyl.	10:1	1598cc	79/81kW (107/109)PS	TD16370 475
K4M 760	4 Cyl.	10:1	1598cc	79/81kW (107/109)PS	TD16532 485

CLIO	09/98 →	KANGOO	06/01 →	LAGUNA	11/97 →
MEGANE	04/98 →	SCÉNIC	09/99 → 09/03	THALIA	04/02 →

				
87-104200-30	STD	08-104200-00 08-104207-00	STD 0.50mm	
A 31.70		1.50 	CR P	
B- 1.30		1.50 	P	
C 1.60		2.50 	CR [26]	
D 55.00		08-105200-00	STD	
 20x62		08-105207-00	0.50mm	
		1.20 	NT [26]	
		1.50 	P	
		2.50 	CR [26]	

[26] Steel [26] Acier [26] Acciaio [26] Acero

									
BE/PL	4	43.964/43.980	47.614/47.625	17.750	1.806	0.020/0.074	AL-LF	2950RAA	01-4138/4 STD 0.25 0.50 0.75
MB/HL 1-5	5	47.990/48.010	51.936/51.949	19.500	1.950	0.026/0.059	AL-LF	02-4241	H1065/5 STD 0.25 0.50

		
JH5108 PA349 22.00x16.00x2.000mm		NA5016  35.00x47.00x7.00mm, FPM/ACM NF835  80.00x100.00x8.00mm, FPM/ACM

RENAULT/DACIA

1236



79.50

Petrol



K4M 709	4 Cyl.	10:1	1598cc	79kW (107)PS	TD21194	477
K4M 732	4 Cyl.	10:1	1598cc	66-70kW (90-95)PS	TD20911	481
K4M 734	4 Cyl.	10:1	1598cc	66kW (90)PS	TD20912	481

SCÉNIC 03/01 → 08/03

 87-104200-30 STD A 31.70 B- 1.30 C 1.60 D 55.00 20x62	 	 08-104200-00 STD 08-104207-00 0.50mm 1.50 CR P 1.50 P 2.50 CR [26]	 	
		08-105200-00 STD 08-105207-00 0.50mm 1.20 NT [26] 1.50 P 2.50 CR [26]		
[26] Steel	[26] Acier	[26] Acciaio	[26] Acero	

BE/PL	4	43.964/43.980	47.614/47.625	17.750	1.806	0.020/0.074	AL-LF	2950RAA	01-4138/4 STD 0.25 0.50 0.75
MB/HL 1-5	5	47.990/48.010	51.936/51.949	19.500	1.950	0.026/0.059	AL-LF	02-4241	H1065/5 STD 0.25 0.50

	JH5108	NA5016 35.00x47.00x7.00mm, FPM/ACM NF835 80.00x100.00x8.00mm, FPM/ACM

1237



79.50



Petrol



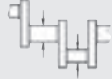














K4M 746	4 Cyl.	10:1	1598cc	79kW (107)PS	TD20915	483
K4M 764	4 Cyl.	10:1	1598cc	82-85kW (112-116)PS	TD20916	487



BE/PL	4	43.964/43.980	47.614/47.625	17.750	1.806	0.020/0.074	AL-LF	2950RAA	01-4138/4 STD 0.25 0.50 0.75
MB/HL 1-5	5	47.990/48.010	51.936/51.949	19.500	1.950	0.026/0.059	AL-LF	02-4241	H1065/5 STD 0.25 0.50











	JH5108	NA5016 35.00x47.00x7.00mm, FPM/ACM NF835 80.00x100.00x8.00mm, FPM/ACM

1238	 79.50	Petrol				
K4M 750	4 Cyl.	10:1	1598cc	70kW (95)PS	TD17489	475
K4M 761	4 Cyl.	10:1	1598cc	83kW (113)PS	TD18302	485
K4M 782	4 Cyl.	10:1	1598cc	83kW (113)PS	TD18303	488
GRAND SCÉNIC	04/04→	KANGOO	06/01→	MEGANE	08/03→	
SCÉNIC	06/03→					











									
BE/PL	4	43.964/43.980	47.614/47.625	17.750	1.806	0.020/0.074	AL-LF	2950RAA	01-4138/4 STD 0.25 0.50 0.75
MB/HL 1-5	5	47.990/48.010	51.936/51.949	19.500	1.950	0.026/0.059	AL-LF	02-4241	H1065/5 STD 0.25 0.50






		
	JH5108 =PA349 22.00x16.00x2.000mm	NA5016  35.00x47.00x7.00mm, FPM/ACM NF835  80.00x100.00x8.00mm, FPM/ACM

1239	 79.50	Petrol				
K4M 753	4 Cyl.	10:1	1598cc	70kW (95)PS	TD17494	475
KANGOO	06/01→					

			
	08-104200-00 STD 08-104207-00 0.50mm 1.50  CR P 1.50  P 2.50  CR [26]		
	08-105200-00 STD 08-105207-00 0.50mm 1.20  NT [26] 1.50  P 2.50  CR [26]		

[26] Steel [26] Acier [26] Acciaio [26] Acero

									
BE/PL	4	43.964/43.980	47.614/47.625	17.750	1.806	0.020/0.074	AL-LF	2950RAA	01-4138/4 STD 0.25 0.50 0.75
MB/HL 1-5	5	47.990/48.010	51.936/51.949	19.500	1.950	0.026/0.059	AL-LF	02-4241	H1065/5 STD 0.25 0.50

		
	JH5108 =PA349 22.00x16.00x2.000mm	NA5016  35.00x47.00x7.00mm, FPM/ACM NF835  80.00x100.00x8.00mm, FPM/ACM

RENAULT/DACIA

1240

79.50

Petrol



K4M 754 4 Cyl. 10:1 1598cc 98kW (133)PS TD21176 484

BE/PL	4	43.964/43.980	47.614/47.625	17.750	1.806	0.020/0.074	AL-LF	2950RAA	01-4138/4 STD 0.25 0.50 0.75		
MB/HL 1-5	5	47.990/48.010	51.936/51.949	19.500	1.950	0.026/0.059	AL-LF	02-4241	H1065/5 STD 0.25 0.50		
							NF835 80.00x100.00x8.00mm, FPM/ACM				

1241

79.50

Petrol



K4M 790 4 Cyl. 10:1 1598cc 82kW (112)PS TD18898 489

MODUS / GRAND MODUS 12/04→

87-104200-30	STD									
A 31.70	B- 1.30	C 1.60	D 55.00		20x62	08-104200-00	STD	08-104207-00	0.50mm	
						1.50		CR P		
						1.50		P		
						2.50		CR [26]		
						08-105200-00	STD	08-105207-00	0.50mm	
						1.20		NT [26]		
						1.50		P		
						2.50		CR [26]		
[26] Steel	[26] Acier	[26] Acciaio	[26] Acero							

BE/PL	4	43.964/43.980	47.614/47.625	17.750	1.806	0.020/0.074	AL-LF	2950RAA	01-4138/4 STD 0.25 0.50 0.75		
MB/HL 1-5	5	47.990/48.010	51.936/51.949	19.500	1.950	0.026/0.059	AL-LF	02-4241	H1065/5 STD 0.25 0.50		
			JH5109 (NBR)				NA5016 35.00x47.00x7.00mm, FPM/ACM NF835 80.00x100.00x8.00mm, FPM/ACM				

1242	79.50	Petrol				
K4M 791	4 Cyl.	10:1	1598cc	82kW (112)PS	TD18899	489
MODUS / GRAND MODUS 12/04→						

BE/PL	4	43.964/43.980	47.614/47.625	17.750	1.806	0.020/0.074	AL-LF	2950RAA	01-4138/4 STD 0.25 0.50 0.75	
MB/HL 1-5	5	47.990/48.010	51.936/51.949	19.500	1.950	0.026/0.059	AL-LF	02-4241	H1065/5 STD 0.25 0.50	

JH5109 (NBR)	NA5016 35.00x47.00x7.00mm, FPM/ACM	NF835 80.00x100.00x8.00mm, FPM/ACM

1243	79.50	Petrol				
K4M 800	4 Cyl.	9.8:1	1598cc	82kW (111)PS	TD18534	489
K4M 801	4 Cyl.	9.8:1	1598cc	82kW (111)PS	TD18535	492
K4M 804	4 Cyl.	9.8:1	1598cc	65kW (88)PS	TD18532	489

CLIO	06/05→	CLIO Grandtour	02/08→	MODUS / GRAND MODUS	12/04→
-------------	--------	-----------------------	--------	----------------------------	--------

BE/PL	4	43.964/43.980	47.614/47.625	17.750	1.806	0.020/0.074	AL-LF	2950RAA	01-4138/4 STD 0.25 0.50 0.75	
MB/HL 1-5	5	47.990/48.010	51.936/51.949	19.500	1.950	0.026/0.059	AL-LF	02-4241	H1065/5 STD 0.25 0.50	

JH5109 (NBR) =PA349 22.00x16.00x2.000mm	NA5016 35.00x47.00x7.00mm, FPM/ACM	NF835 80.00x100.00x8.00mm, FPM/ACM

1244	79.50	Petrol				
K4M 830 Euro 4	4 Cyl.	9.8:1	1598cc	78kW (106)PS	TD23581	468
K4M 831 Euro 4	4 Cyl.	9.8:1	1598cc	79kW (107)PS	TD26526	469
K4M 834 Euro 4	4 Cyl.	9.8:1	1598cc	72kW (98)PS	TD26128	468

KANGOO / GRAND KANGOO	02/08→	KANGOO	02/08→	KANGOO BE BOP	02/09→
------------------------------	--------	---------------	--------	----------------------	--------

87-104200-00	STD	08-104200-00	STD
A 31.70		08-104207-00	0.50mm
B- 1.30		1.50	CR P
C 1.60		1.50	P
D 55.00		2.50	CR [26]
	20x62		

[26] Steel [26] Acier [26] Acciaio [26] Acero

RENAULT/DACIA

...Continued

1244		79.50	Petrol						
BE/PL	4	43.964/43.980	47.614/47.625	17.750	1.806	0.020/0.074	AL-LF	2950RAA	01-4138/4 STD 0.25 0.50 0.75
MB/HL 1-5	5	47.990/48.010	51.936/51.949	19.500	1.950	0.026/0.059	AL-LF	02-4241	H1065/5 STD 0.25 0.50
							NA5016 35.00x47.00x7.00mm, FPM/ACM NF835 80.00x100.00x8.00mm, FPM/ACM		

1245		79.50	Petrol							
K7M 690	4 Cyl.	9.5:1	1598cc	77kW (105)PS			TD22190	499		
K7M 690	4 Cyl.	9.5:1	1598cc	77kW (105)PS			TD22402	498		
K7M 704	4 Cyl.	9.6:1	1598cc	64-66kW (87-90)PS			TD20917	501		
K7M 718 Euro 4	4 Cyl.	9.5:1	1598cc	62kW (84)PS			TD23534	503		
K7M 718 Euro 4	4 Cyl.	9.5:1	1598cc	62kW (84)PS			TD23535	503		
K7M 732 Euro 4	4 Cyl.	9.5:1	1598cc	64kW (87)PS			TD23532	498		
K7M 732 Euro 4	4 Cyl.	9.5:1	1598cc	64kW (87)PS			TD23533	498		
K7M 734	4 Cyl.		1598cc	68kW (92)PS			TD27699			
K7M 800	4 Cyl.	9.5:1	1598cc	62kW (84)PS			TD24779	507		
K7MA8	4 Cyl.		1598cc	61kW (83)PS			TD26980	469		
LOGGY	03/12→		LOGAN	05/10→		LOGAN MCV	05/10→			
SANDERO/STEPWAY	11/10→		SANDERO	05/10→						

BE/PL	4	43.964/43.980	47.614/47.625	17.750	1.806	0.020/0.074	AL-LF	2950RAA	01-4138/4 STD 0.25 0.50 0.75
MB/HL	3	47.990/48.010	51.936/51.949	19.500	1.950	0.026/0.059	AL-LF	02-4241L	H1014/5 STD 0.25
MB/HL	7	47.990/48.010	51.936/51.949	19.500	1.950	0.026/0.059	AL-LF	02-4241U	
							NA5016 35.00x47.00x7.00mm, FPM/ACM NF835 80.00x100.00x8.00mm, FPM/ACM		

1246	79.50	Petrol				
K7M 702	4 Cyl.	9.5:1	1598cc	66kW (89)PS	TD4876	500
K7M 703	4 Cyl.	9.5:1	1598cc	66kW (89)PS	TD4877	500
K7M 746	4 Cyl.	9.7:1	1598cc	66kW (90)PS	TD20918	506
K7M 790	4 Cyl.	9.6:1	1598cc	66kW (89)PS	TD4879	500

KANGOO	09/99 → 06/01	MEGANE	01/96 → 08/03	THALIA	03/98 →
---------------	---------------	---------------	---------------	---------------	---------

87-104200-00 [27] STD 87-104207-00 [27] 0.50mm A 31.80 B+ 2.55 D 56.30 19x63	08-104200-00 STD 08-104207-00 0.50mm 1.50 CR P 1.50 P 2.50 CR [26]		
87-104200-10 [28] STD 87-104207-10 [28] 0.50mm A 31.80 B+ 2.55 D 56.30 19x63	08-104200-00 STD 08-104207-00 0.50mm 1.50 CR P 1.50 P 2.50 CR [26]		

[26] Steel [26] Acier [26] Acciaio [26] Acero
 [27] to cylinder 1 & 2 [27] sous cylindre 1 & 2 [27] al cilindro 1 & 2 [27] A cilindro 1 & 2
 [28] to cylinder 3 & 4 [28] sous cylindre 3 & 4 [28] al cilindro 3 & 4 [28] A cilindro 3 & 4

BE/PL	4	43.964/43.980	47.614/47.625	17.750	1.806	0.020/0.074	AL-LF	2950RAA	01-4138/4 STD 0.25 0.50 0.75
MB/HL	3	47.990/48.010	51.936/51.949	19.500	1.950	0.026/0.059	AL-LF	02-4241L	H1014/5 STD 0.25
MB/HL	7	47.990/48.010	51.936/51.949	19.500	1.950	0.026/0.059	AL-LF	02-4241U	

		NA5016 35.00x47.00x7.00mm, FPM/ACM NF835 80.00x100.00x8.00mm, FPM/ACM

1247

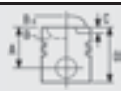
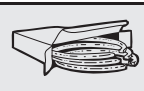

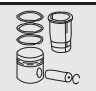





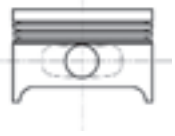
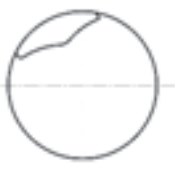


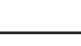

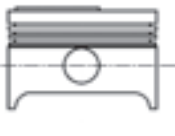



 **79.50**

Petrol
















K7M 710 4 Cyl. 9.5:1 1598cc **64kW (87)PS** **TD18141** **502**

LOGAN 09/04 → **LOGAN MCV** 02/07 → **SANDERO** 06/08 →

							
87-104200-00 [27]	STD	08-104200-00	STD				
87-104207-00 [27]	0.50mm	08-104207-00	0.50mm				
A 31.80		1.50		CR P			
B+ 2.55		1.50		P			
D 56.30		2.50		CR [26]			
 19x63							
87-104200-10 [28]	STD	08-104200-00	STD				
87-104207-10 [28]	0.50mm	08-104207-00	0.50mm				
A 31.80		1.50		CR P			
B+ 2.55		1.50		P			
D 56.30		2.50		CR [26]			
 19x63							
		08-105200-00	STD				
		08-105207-00	0.50mm				
		1.20		NT [26]			
		1.50		P			
		2.50		CR [26]			

[26] Steel [26] Acier [26] Acciaio [26] Acero
 [27] to cylinder 1 & 2 [27] sous cylindre 1 & 2 [27] al cilindro 1 & 2 [27] A cilindro 1 & 2
 [28] to cylinder 3 & 4 [28] sous cylindre 3 & 4 [28] al cilindro 3 & 4 [28] A cilindro 3 & 4

									
BE/PL	4	43.964/43.980	47.614/47.625	17.750	1.806	0.020/0.074	AL-LF	2950RAA	01-4138/4 STD 0.25 0.50 0.75
MB/HL	3	47.990/48.010	51.936/51.949	19.500	1.950	0.026/0.059	AL-LF	02-4241L	H1014/5 STD 0.25
MB/HL	7	47.990/48.010	51.936/51.949	19.500	1.950	0.026/0.059	AL-LF	02-4241U	

		
---	---	---

 **EA220** [42] **PA349**
22.00x16.00x2.00mm **NA5016**  35.00x47.00x7.00mm, FPM/ACM
NF835  80.00x100.00x8.00mm, FPM/ACM

[42] Supplementary Article/Supplementary Info: with gaskets/seals [42] Article complémentaire / Info complémentaire: avec joints [42] Artículo complementario/Información complementaria: con juntas [42] Articolo complementare/Info integrativa: con guarnizioni

1248



79.50

Petrol



K7M 710

4 Cyl.

9.5:1

1598cc

66kW (89)PS

TD18139

502

LOGAN

09/04 →

SANDERO/STEPWAY

12/07 →

87-104200-00 [27] 87-104207-00 [27]	STD 0.50mm		08-104200-00 STD 08-104207-00 0.50mm	1.50 CR P 1.50 P 2.50 CR [26]			
A 31.80 B+ 2.55 D 56.30 19x63							
87-104200-10 [28] 87-104207-10 [28]	STD 0.50mm		08-104200-00 STD 08-104207-00 0.50mm	1.50 CR P 1.50 P 2.50 CR [26]			
A 31.80 B+ 2.55 D 56.30 19x63							

[26] Steel

[26] Acier

[26] Acciaio

[26] Acero

[27] to cylinder 1 & 2

[27] sous cylindre 1 & 2

[27] al cilindro 1 & 2

[27] A cilindro 1 & 2

[28] to cylinder 3 & 4

[28] sous cylindre 3 & 4

[28] al cilindro 3 & 4

[28] A cilindro 3 & 4

BE/PL	4	43.964/43.980	47.614/47.625	17.750	1.806	0.020/0.074	AL-LF	2950RAA	01-4138/4 STD 0.25 0.50 0.75 H1014/5 STD 0.25
MB/HL	3	47.990/48.010	51.936/51.949	19.500	1.950	0.026/0.059	AL-LF	02-4241L	
MB/HL	7	47.990/48.010	51.936/51.949	19.500	1.950	0.026/0.059	AL-LF	02-4241U	

EA220 [42]		NA5016 35.00x47.00x7.00mm, FPM/ACM NF835 80.00x100.00x8.00mm, FPM/ACM

[42] Supplementary Article/Supplementary Info:
with gaskets/seals

[42] Article complémentaire /
Info complémentaire: avec joints

[42] Artículo complementario/Información
complementaria: con juntas

[42] Articolo complementare/Info
integrativa: con guarnizioni

1249
79.50
Petrol


K7M 720	4 Cyl.	9:1	1598cc	55kW (75)PS	TD4878	504
K7M 744	4 Cyl.	9.7:1	1598cc	66kW (89)PS	TD14332	505
K7M 745	4 Cyl.	9.7:1	1598cc	66kW (89)PS	TD14333	505

CLIO 09/98→05/05 **MEGANE** 01/96→09/99

 87-104200-00 [27] STD 87-104207-00 [27] 0.50mm A 31.80 B+ 2.55 D 56.30 19x63	 87-104200-10 [28] STD 87-104207-10 [28] 0.50mm A 31.80 B+ 2.55 D 56.30 19x63	 08-104200-00 STD 08-104207-00 0.50mm 1.50 CR P 1.50 P 2.50 CR [26]	 08-104200-00 STD 08-104207-00 0.50mm 1.50 CR P 1.50 P 2.50 CR [26]	 [26] Steel [27] to cylinder 1 & 2 [28] to cylinder 3 & 4	 [26] Acier [27] sous cylindre 1 & 2 [28] sous cylindre 3 & 4	 [26] Acciaio [27] al cilindro 1 & 2 [28] al cilindro 3 & 4	 [26] Acero [27] A cilindro 1 & 2 [28] A cilindro 3 & 4
--	--	---	---	--	--	--	--

[26] Steel [27] to cylinder 1 & 2 [28] to cylinder 3 & 4
 [26] Acier [27] sous cylindre 1 & 2 [28] sous cylindre 3 & 4
 [26] Acciaio [27] al cilindro 1 & 2 [28] al cilindro 3 & 4
 [26] Acero [27] A cilindro 1 & 2 [28] A cilindro 3 & 4

BE/PL	4	43.964/43.980	47.614/47.625	17.750	1.806	0.020/0.074	AL-LF	2950RAA	01-4138/4 STD 0.25 0.50 0.75
MB/HL	3	47.990/48.010	51.936/51.949	19.500	1.950	0.026/0.059	AL-LF	02-4241L	H1014/5 STD 0.25
MB/HL	7	47.990/48.010	51.936/51.949	19.500	1.950	0.026/0.059	AL-LF	02-4241U	

--	--	--

EA220 [42] **PA349** 22.00x16.00x2.000mm **NA5016** 35.00x47.00x7.00mm, FPM/ACM **NF835** 80.00x100.00x8.00mm, FPM/ACM

[42] Supplementary Article/Supplementary Info: with gaskets/seals
 [42] Article complémentaire / Info complémentaire: avec joints
 [42] Artículo complementario/Información complementaria: con juntas
 [42] Artículo complementare/Info integrativa: con guarnizioni

1250	79.50	Petrol				
K7M 750	4 Cyl.	9.7:1	1598cc	64kW (87)PS	TD22191	503
KANGOO / GRAND KANGOO 02/08 →		KANGOO		02/08 →		

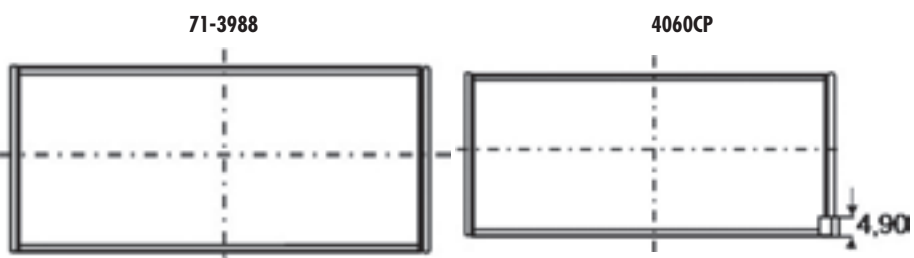
BE/PL	4	43.964/43.980	47.614/47.625	17.750	1.806	0.020/0.074	AL-LF	2950RAA	01-4138/4 STD 0.25 0.50 0.75	
MB/HL	3	47.990/48.010	51.936/51.949	19.500	1.950	0.026/0.059	AL-LF	02-4241L	H1014/5 STD 0.25	
MB/HL	7	47.990/48.010	51.936/51.949	19.500	1.950	0.026/0.059	AL-LF	02-4241U		

		NF835 80.00x100.00x8.00mm, FPM/ACM

1251	80.00	Diesel				
F8Q 600	4 Cyl.	21.5:1	1870cc	44-48kW (60-65)PS	TD22200	508
F8Q 600	4 Cyl.	21.5:1	1870cc	44kW (60)PS	TD16330	509

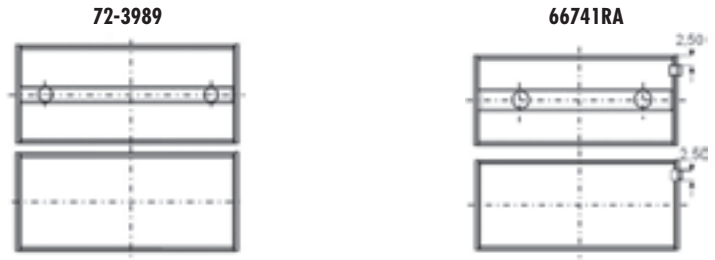
BE/PL	4	48.000/48.020	51.587/51.606	20.250	1.776	0.015/0.079	EC	71-3988	71-3988/4 STD 0.25 0.50 [45]	
01/98 →										
BE/PL	4	48.000/48.020	51.587/51.600	20.500	1.768	0.031/0.089	BS	4060CP	71-4311/4 STD 0.25 0.50	

→12/97



MB/HL 1-5	5	54.785/54.805	58.731/58.744	18.500	1.947	0.032/0.090	EC	72-3989	H098/5 STD 0.25 0.50	
01/98 →										
MB/HL 1-5	5	54.785/54.795	58.731/58.744	18.500	1.945	0.046/0.094	AL-LF	66741RA	H1080/5 STD 0.25 0.50	









→12/97












TW/A	2	60.500/60.750	79.750/80.000		2.350		AL-LF	66741AF	A215/2 STD 0.10	
SE/PB	1	24.005/24.012	26.000/26.021	24.750			BC	55-3875	55-3875 SEMI	











RENAULT/DACIA

...Continued

1251	 80.00	Diesel
		
 EC5060	JH5041	NA5036  42.00x54.00x6.00mm, FPM NF850  85.00x105.00x8.00mm, FPM
		
	JH5041	

1252	 80.00	Diesel				
F8Q 606	4 Cyl.	21.5:1	1870cc	40kW (54)PS	TD9690	510
TRAFIC	06/97 → 03/01					

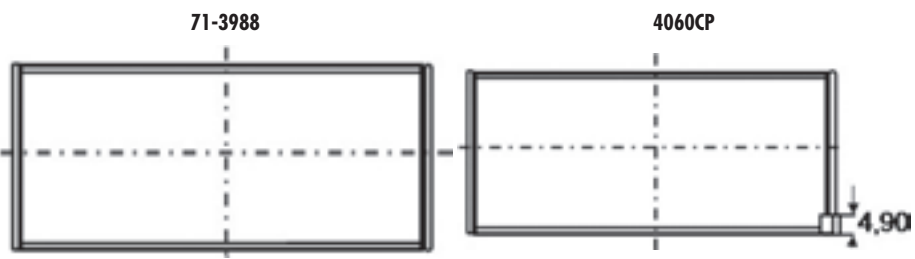
			
	08-336500-00 STD 08-336505-00 0.25mm 08-336507-00 0.50mm 08-336510-00 0.80mm 2.00  MO P 2.00  P 3.00  CR P		

									
BE/PL	4	48.000/48.020	51.587/51.606	20.250	1.776	0.015/0.079	EC	71-3988	71-3988/4 STD 0.25 0.50 [45]

01/98 →

BE/PL	4	48.000/48.020	51.587/51.600	20.500	1.768	0.031/0.089	BS	4060CP	71-4311/4 STD 0.25 0.50
-------	---	---------------	---------------	--------	-------	-------------	----	--------	-----------------------------------

→12/97

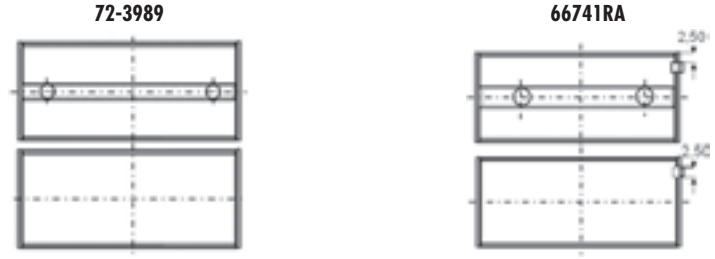


MB/HL 1-5	5	54.785/54.805	58.731/58.744	18.500	1.947	0.032/0.090	EC	72-3989	H098/5 STD 0.25 0.50
-----------	---	---------------	---------------	--------	-------	-------------	----	---------	--------------------------------

01/98 →











MB/HL 1-5	5	54.785/54.795	58.731/58.744	18.500	1.945	0.046/0.094	AL-LF	66741RA	H1080/5 STD 0.25 0.50
-----------	---	---------------	---------------	--------	-------	-------------	-------	---------	---------------------------------



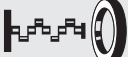
→12/97




...Continued



1252  **80.00 Diesel**

									
TW/A	2	60.500/60.750	79.750/80.000		2.350		AL-LF	66741AF	A215/2 STD 0.10
SE/PB	1	24.005/24.012	26.000/26.021	24.750			BC	55-3875	55-3875 SEMI

		
---	---	---


 EC5060

JH5041
 KG5012
 16.00x23.00x1.500mm

NA5036  42.00x54.00x6.00mm, FPM
 NF850  85.00x105.00x8.00mm, FPM





























JH5041









1253  **80.00 Diesel** 



F8Q 610	4 Cyl.	20.5:1	1870cc	69-66kW (94-90)PS	TD19666	511
F8Q 740	4 Cyl.	20.5:1	1870cc	66-68kW (90-93)PS	TD3294	531

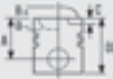







19 09/90→12/95











			
87-103500-00 87-103507-00	STD 0.50mm	87-103500-00 87-103507-00	
A 41.71 B- 0.70 D 66.69  26x67		87-103500-00 STD 87-103507-00 0.50mm	
AK KK RT		2.50  CK P 2.00  NT 3.00  CR P	
		87-105100-00 STD 87-105107-00 0.50mm	
		2.00  CK P 2.00  P 3.00  CR P	
		87-111800-00 STD 87-111807-00 0.50mm →01/97	
		2.50  P PS 2.00  P 3.00  CR P	

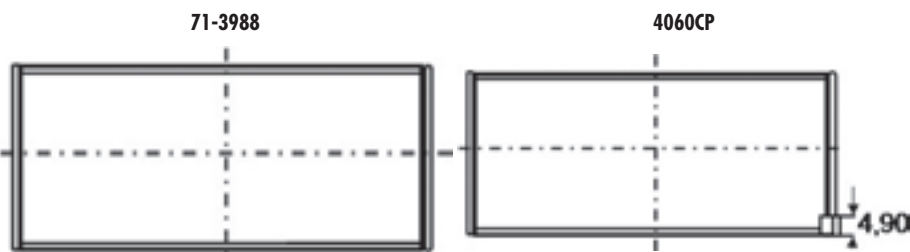
									
BE/PL	4	48.000/48.020	51.587/51.600	20.500	1.768	0.031/0.089	BS	4060CP	71-4311/4 STD 0.25 0.50
MB/HL 1-5	5	54.785/54.795	58.731/58.744	18.500	1.945	0.046/0.094	AL-LF	66741RA	H1080/5 STD 0.25 0.50
TW/A	2	60.500/60.750	79.750/80.000		2.350		AL-LF	66741AF	A215/2 STD 0.10
SE/PB	1	26.013/26.025	29.000/29.021	22.900			BS	66509Y	55-4394 SEMI

1253	 80.00	Diesel	
			
 EL960 [42][43]	JJ557	NF843  50.00x68.00x10.00mm, FPM/ACM NF850  85.00x105.00x8.00mm, FPM	
			
	JJ557		
[42] Supplementary Article/Supplementary Info: with gaskets/seals	[42] Article complémentaire / Info complémentaire: avec joints	[42] Artículo complementario/Información complementaria: con juntas	[42] Articolo complementare/Info integrativa: con guarnizioni
[43] Supplementary Article/Supplementary Info 2: without oil pan gasket	[43] Article complémentaire / Info complémentaire 2: sans joint de carter d'huile	[43] Artículo complementario/ Información complementaria 2: sin junta de cárter de aceite	[43] Articolo complementare/Info integrativa 2: Senza guarnizione coppa olio

1254	 80.00	Diesel				
F8Q 620	4 Cyl.	21.5:1	1870cc	47kW (64)PS	TD4867	512
F8Q 640	4 Cyl.	21.5:1	1870cc	40kW (54)PS	TD5510	516
F8Q 724	4 Cyl.	21.5:1	1870cc	47-48kW (64-67)PS	TD3291	528
F8Q 774	4 Cyl.	21.5:1	1870cc	47-48kW (64-67)PS	TD3298	535
F8Q 776	4 Cyl.	21.5:1	1870cc	47-48kW (64-67)PS	TD3299	536
EXPRESS	07/95→10/99	MEGANE	01/96→08/03	RAPID	09/91→03/98	



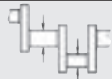







			
87-336500-00 STD	08-336500-00 STD		
87-336505-00 0.25mm	08-336505-00 0.25mm		
87-336507-00 0.50mm	08-336507-00 0.50mm		
87-336510-00 0.80mm	08-336510-00 0.80mm		
A 42.35	2.00  MO P		
B- 0.70	2.00  P		
D 70.50	3.00  CR P		
 24x63			
RT			

									
BE/PL	4	48.000/48.020	51.587/51.606	20.250	1.776	0.015/0.079	EC	71-3988	71-3988/4 STD 0.25 0.50 [45]
01/98→									
BE/PL	4	48.000/48.020	51.587/51.600	20.500	1.768	0.031/0.089	BS	4060CP	71-4311/4 STD 0.25 0.50
→12/97									

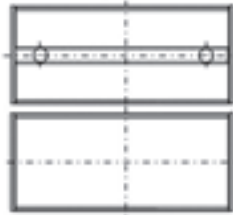


...Continued

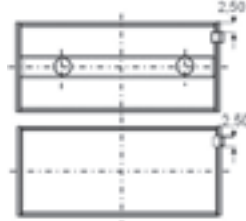
1254  **80.00** **Diesel**

									
MB/HL 1-5	5	54.785/54.805	58.731/58.744	18.500	1.947	0.032/0.090	EC	72-3989	H098/5 STD 0.25 0.50
01/98 →									
MB/HL 1-5	5	54.785/54.795	58.731/58.744	18.500	1.945	0.046/0.094	AL-LF	66741RA	H1080/5 STD 0.25 0.50
→ 12/97									

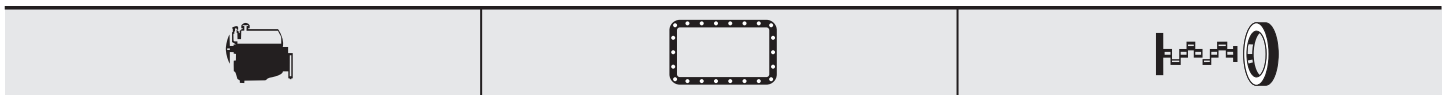
72-3989



66741RA



TW/A	2	60.500/60.750	79.750/80.000		2.350		AL-LF	66741AF	A215/2 STD 0.10
SE/PB	1	24.005/24.012	26.000/26.021	24.750			BC	55-3875	55-3875 SEMI



EL960 [42][43]

JJ557

NF843 50.00x68.00x10.00mm, FPM/ACM
NF850 85.00x105.00x8.00mm, FPM



JJ557

[42] Supplementary Article/Supplementary Info:
with gaskets/seals

[42] Article complémentaire /
Info complémentaire: avec joints

[42] Artículo complementario/Información
complementaria: con juntas

[42] Articolo complementare/Info
integrativa: con guarnizioni

[43] Supplementary Article/Supplementary Info 2:
without oil pan gasket

[43] Article complémentaire / Info
complémentaire 2: sans joint de carter d'huile











[43] Artículo complementario/ Información
complementaria 2: sin junta de cárter de aceite

[43] Articolo complementare/Info integrativa 2:
Senza guarnizione coppa olio

1255  **80.00** **Diesel** 

F8Q 622	4 Cyl.	21.5:1	1870cc	47kW (64)PS	TD18295	513
----------------	--------	--------	--------	--------------------	----------------	------------

MEGANE 04/99 → 08/03




									
BE/PL	4	48.000/48.020	51.587/51.600	20.500	1.768	0.031/0.089	BS	4060CP	71-4311/4 STD 0.25 0.50
MB/HL 1-5	5	54.785/54.795	58.731/58.744	18.500	1.945	0.046/0.094	AL-LF	66741RA	H1080/5 STD 0.25 0.50
TW/A	2	60.500/60.750	79.750/80.000		2.350		AL-LF	66741AF	A215/2 STD 0.10
SE/PB	1	24.005/24.012	26.000/26.021	24.750			BC	55-3875	55-3875 SEMI

1255  **80.00** **Diesel**





EC5060

JH5041

NA5036  42.00x54.00x6.00mm, FPM
 NF843  50.00x68.00x10.00mm, FPM/ACM
 NF850  85.00x105.00x8.00mm, FPM



JH5041

1256  **80.00** **Diesel** 

F8Q 624 4 Cyl. 21.5:1 1870cc **48kW (65)PS** **TD16348** **512**

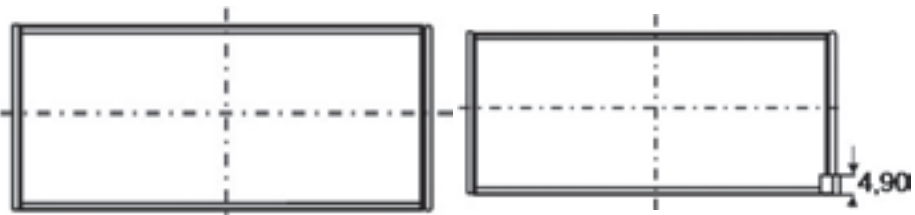
MEGANE 01/96→08/03



BE/PL	4	48.000/48.020	51.587/51.606	20.250	1.776	0.015/0.079	EC	71-3988	71-3988/4 STD 0.25 0.50	[45]
01/98→										
BE/PL	4	48.000/48.020	51.587/51.600	20.500	1.768	0.031/0.089	BS	4060CP	71-4311/4 STD 0.25 0.50	
→12/97										

71-3988

4060CP



MB/HL 1-5	5	54.785/54.805	58.731/58.744	18.500	1.947	0.032/0.090	EC	72-3989	H098/5 STD 0.25 0.50	
01/98→										
MB/HL 1-5	5	54.785/54.795	58.731/58.744	18.500	1.945	0.046/0.094	AL-LF	66741RA	H1080/5 STD 0.25 0.50	
→12/97										










72-3989



66741RA













TW/A	2	60.500/60.750	79.750/80.000		2.350		AL-LF	66741AF	A215/2 STD 0.10
SE/PB	1	24.005/24.012	26.000/26.021	24.750			BC	55-3875	55-3875 SEMI



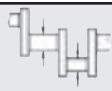
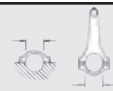






...Continued

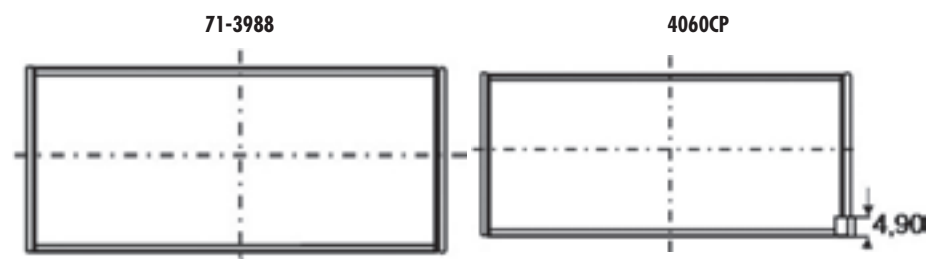
1256	 80.00	Diesel
		
EC5060 EL960 [42][43]	JH5041 JJ557	NF843  50.00x68.00x10.00mm, FPM/ACM →04/97 NF850  85.00x105.00x8.00mm, FPM NA5036  42.00x54.00x6.00mm, FPM 04/97→
	 	
	JH5041	JJ557
[42] Supplementary Article/Supplementary Info: with gaskets/seals [43] Supplementary Article/Supplementary Info 2: without oil pan gasket	[42] Article complémentaire / Info complémentaire: avec joints [43] Article complémentaire / Info complémentaire 2: sans joint de carter d'huile	[42] Artículo complementario/Información complementaria: con juntas [43] Artículo complementario/ Información complementaria 2: sin junta de cárter de aceite
	[42] Articolo complementare/Info integrativa: con guarnizioni [43] Articolo complementare/Info integrativa 2: Senza guarnizione coppa olio	

1257	 80.00	Diesel				
F8Q 630	4 Cyl.	21.5:1	1870cc	48kW (65)PS	TD22401	514
F8Q 632	4 Cyl.	21.5:1	1870cc	47-48kW (64-65)PS	TD17431	515

CLIO	02/00→05/01	KANGOO	08/97→	SOLENZA	02/03→
-------------	-------------	---------------	--------	----------------	--------

			
87-336500-10 STD 87-336507-10 0.50mm A 42.25 B- 1.58 D 70.50  24x63	 	08-336500-00 STD 08-336505-00 0.25mm 08-336507-00 0.50mm 08-336510-00 0.80mm 2.00  MO P 2.00  P 3.00  CR P	

										
BE/PL	4	48.000/48.020	51.587/51.606	20.250	1.776	0.015/0.079	EC	71-3988	71-3988/4 STD 0.25 0.50	[45]
01/98→										
BE/PL	4	48.000/48.020	51.587/51.600	20.500	1.768	0.031/0.089	BS	4060CP	71-4311/4 STD 0.25 0.50	
→12/97										



RENAULT/DACIA

...Continued

1257



80.00

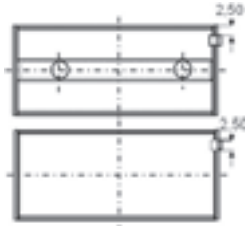
Diesel

01/98 →									
→12/97									

72-3989



66741RA



TW/A	2	60.500/60.750	79.750/80.000		2.350		AL-LF	66741AF	A215/2 STD 0.10
SE/PB	1	24.005/24.012	26.000/26.021	24.750			BC	55-3875	55-3875 SEMI

EC5060	JH5041	NA5036 42.00x54.00x6.00mm, FPM NF850 85.00x105.00x8.00mm, FPM NA5037 85.00x105.00x11.00mm, ACM
	JH5041	

1258



80.00

Diesel



F8Q 630	4 Cyl.	21.5:1	1870cc	47kW (64)PS	TD9626	514
CLIO	09/98 →	KANGOO	08/97 →	THALIA	02/98 → 05/01	

87-336500-10	87-336507-10	87-336500-00	87-336505-00	87-336507-00	87-336510-00	87-336500-00	87-336505-00	87-336507-00	87-336510-00
STD	0.50mm	STD	0.25mm	0.50mm	0.80mm	2.00	2.00	2.00	3.00
A 42.25	B- 1.58	D 70.50		MO P	P		P		CR P
	24x63								

...Continued

1258



80.00

Diesel

BE/PL	4	48.000/48.020	51.587/51.606	20.250	1.776	0.015/0.079	EC	71-3988	71-3988/4 STD 0.25 0.50	[45]

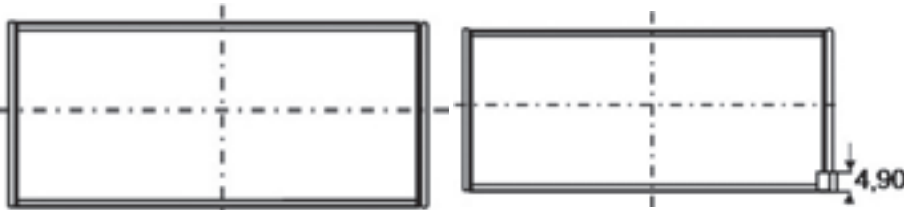
01/98 →

BE/PL	4	48.000/48.020	51.587/51.600	20.500	1.768	0.031/0.089	BS	4060CP	71-4311/4 STD 0.25 0.50
-------	---	---------------	---------------	--------	-------	-------------	----	--------	-----------------------------------

→12/97

71-3988

4060CP



MB/HL 1-5	5	54.785/54.805	58.731/58.744	18.500	1.947	0.032/0.090	EC	72-3989	H098/5 STD 0.25 0.50
--------------	---	---------------	---------------	--------	-------	-------------	----	---------	--------------------------------

01/98 →

MB/HL 1-5	5	54.785/54.795	58.731/58.744	18.500	1.945	0.046/0.094	AL-LF	66741RA	H1080/5 STD 0.25 0.50
--------------	---	---------------	---------------	--------	-------	-------------	-------	---------	---------------------------------

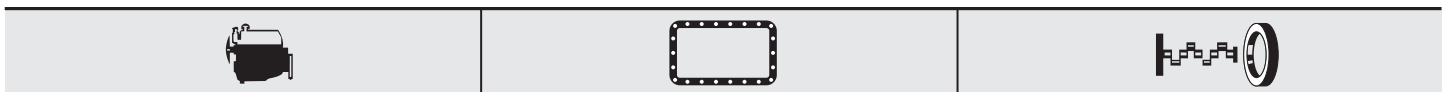
→12/97

72-3989

66741RA



TW/A	2	60.500/60.750	79.750/80.000		2.350		AL-LF	66741AF	A215/2 STD 0.10
SE/PB	1	24.005/24.012	26.000/26.021	24.750			BC	55-3875	55-3875 SEMI



EC5060

JH5041
=KG5012
16.00x23.00x1.500mm

NA5036 42.00x54.00x6.00mm, FPM
NF850 85.00x105.00x8.00mm, FPM
NA5037 85.00x105.00x11.00mm, ACM



JH5041

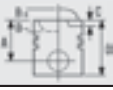






1259




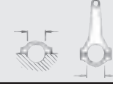






 **80.00**

Diesel



F8Q 636 4 Cyl. 21.5:1 1870cc **45kW (61)PS** **TD21227** **508**

			
	08-336500-00 STD 08-336505-00 0.25mm 08-336507-00 0.50mm 08-336510-00 0.80mm 2.00  MO P 2.00  P 3.00  CR P		

										
BE/PL	4	48.000/48.020	51.587/51.606	20.250	1.776	0.015/0.079	EC	71-3988	71-3988/4 STD 0.25 0.50	[45]

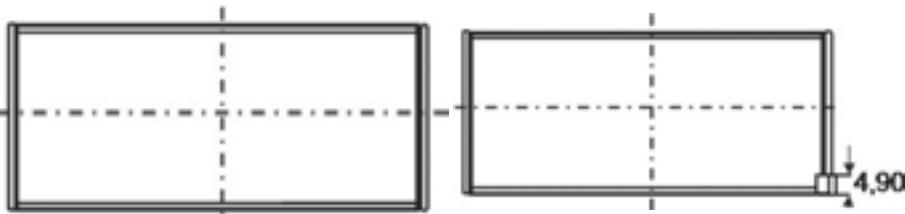
01/98 →

BE/PL	4	48.000/48.020	51.587/51.600	20.500	1.768	0.031/0.089	BS	4060CP	71-4311/4 STD 0.25 0.50
-------	---	---------------	---------------	--------	-------	-------------	----	--------	-----------------------------------

→12/97

71-3988

4060CP



MB/HL 1-5	5	54.785/54.805	58.731/58.744	18.500	1.947	0.032/0.090	EC	72-3989	H098/5 STD 0.25 0.50
--------------	---	---------------	---------------	--------	-------	-------------	----	---------	--------------------------------

01/98 →

MB/HL 1-5	5	54.785/54.795	58.731/58.744	18.500	1.945	0.046/0.094	AL-LF	66741RA	H1080/5 STD 0.25 0.50
--------------	---	---------------	---------------	--------	-------	-------------	-------	---------	---------------------------------




→12/97

72-3989

66741RA





TW/A	2	60.500/60.750	79.750/80.000		2.350		AL-LF	66741AF	A215/2 STD 0.10
SE/PB	1	24.005/24.012	26.000/26.021	24.750			BC	55-3875	55-3875 SEMI

		
---	---	---

EC5060

JH5041

NA5036  42.00x54.00x6.00mm, FPM
NF850  85.00x105.00x8.00mm, FPM



JH5041

1260

 80.00

Diesel



F8Q 644

4 Cyl.

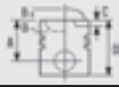






21.5:1




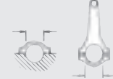






1870cc

40-66kW (54-90)PS

TD21146

517

			
	<p>08-336500-00 STD 08-336505-00 0.25mm 08-336507-00 0.50mm 08-336510-00 0.80mm</p> <p>2.00  MO P 2.00  P 3.00  CR P</p>		

									
BE/PL	4	48.000/48.020	51.587/51.606	20.250	1.776	0.015/0.079	EC	71-3988	71-3988/4 STD 0.25 0.50 [45]

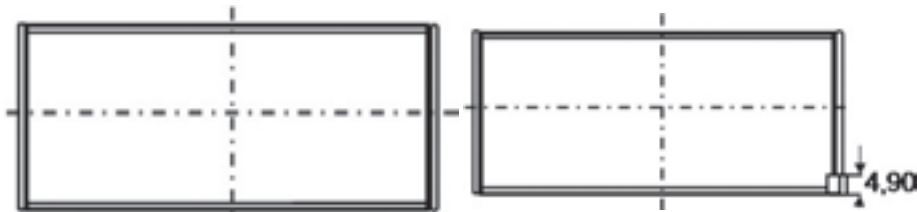
01/98 →

BE/PL	4	48.000/48.020	51.587/51.600	20.500	1.768	0.031/0.089	BS	4060CP	71-4311/4 STD 0.25 0.50
-------	---	---------------	---------------	--------	-------	-------------	----	--------	-----------------------------------

→12/97

71-3988

4060CP



MB/HL 1-5	5	54.785/54.805	58.731/58.744	18.500	1.947	0.032/0.090	EC	72-3989	H098/5 STD 0.25 0.50
--------------	---	---------------	---------------	--------	-------	-------------	----	---------	--------------------------------

01/98 →

MB/HL 1-5	5	54.785/54.795	58.731/58.744	18.500	1.945	0.046/0.094	AL-LF	66741RA	H1080/5 STD 0.25 0.50
--------------	---	---------------	---------------	--------	-------	-------------	-------	---------	---------------------------------

→12/97

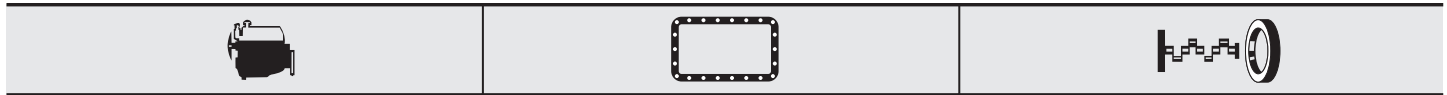
72-3989

66741RA






TW/A	2	60.500/60.750	79.750/80.000		2.350		AL-LF	66741AF	A215/2 STD 0.10
SE/PB	1	24.005/24.012	26.000/26.021	24.750			BC	55-3875	55-3875 SEMI

1260  **80.00** **Diesel**



 **EL960** [42][43]

JJ557

NA5016  35.00x47.00x7.00mm, FPM/ACM
NF835  80.00x100.00x8.00mm, FPM/ACM
NF850  85.00x105.00x8.00mm, FPM



JJ557

[42] Supplementary Article/Supplementary Info:
with gaskets/seals

[42] Article complémentaire /
Info complémentaire: avec joints

[42] Artículo complementario/Información
complementaria: con juntas

[42] Articolo complementare/Info
integrativa: con guarnizioni

[43] Supplementary Article/Supplementary Info 2:
without oil pan gasket

[43] Article complémentaire / Info
complémentaire 2: sans joint de carter d'huile

[43] Artículo complementario/ Información
complementaria 2: sin junta de cárter de aceite

[43] Articolo complementare/Info integrativa 2:
Senza guarnizione coppa olio

1261  **80.00** **Diesel** 

F8Q 646 4 Cyl. 21.5:1 1870cc **47-66kW (64-90)PS** **TD21252** **518**

RAPID 09/91 → 03/98



08-336500-00 STD
08-336505-00 0.25mm
08-336507-00 0.50mm
08-336510-00 0.80mm

2.00  MO P
 2.00  P
 3.00  CR P



BE/PL	4	48.000/48.020	51.587/51.606	20.250	1.776	0.015/0.079	EC	71-3988	71-3988/4 STD 0.25 0.50	[45]
-------	---	---------------	---------------	--------	-------	-------------	----	---------	-----------------------------------	------

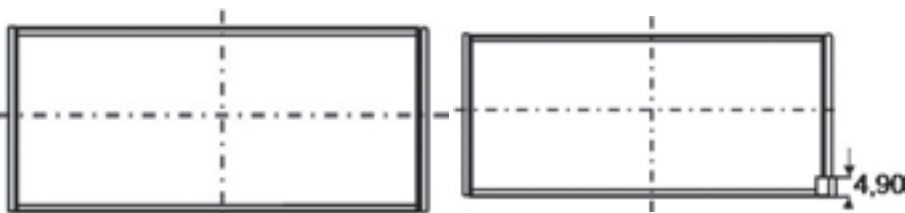
01/98 →

BE/PL	4	48.000/48.020	51.587/51.600	20.500	1.768	0.031/0.089	BS	4060CP	71-4311/4 STD 0.25 0.50	
-------	---	---------------	---------------	--------	-------	-------------	----	--------	-----------------------------------	--

→ 12/97



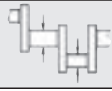
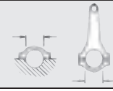






71-3988

4060CP

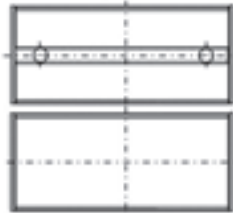


...Continued

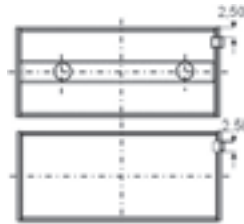
1261  **80.00 Diesel**

									
MB/HL 1-5	5	54.785/54.805	58.731/58.744	18.500	1.947	0.032/0.090	EC	72-3989	H098/5 STD 0.25 0.50
01/98 →									
MB/HL 1-5	5	54.785/54.795	58.731/58.744	18.500	1.945	0.046/0.094	AL-LF	66741RA	H1080/5 STD 0.25 0.50
→ 12/97									

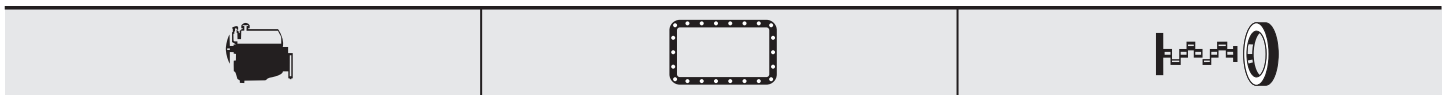
72-3989



66741RA



TW/A	2	60.500/60.750	79.750/80.000		2.350		AL-LF	66741AF	A215/2 STD 0.10
SE/PB	1	24.005/24.012	26.000/26.021	24.750			BC	55-3875	55-3875 SEMI



EL960 [42][43]

JJ557

NA5036 42.00x54.00x6.00mm, FPM
NF850 85.00x105.00x8.00mm, FPM



JJ557

[42] Supplementary Article/Supplementary Info:
with gaskets/seals

[42] Article complémentaire /
Info complémentaire: avec joints

[42] Artículo complementario/Información
complementaria: con juntas

[42] Articolo complementare/Info
integrativa: con guarnizioni

[43] Supplementary Article/Supplementary Info 2:
without oil pan gasket

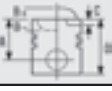
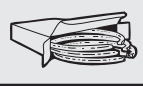








[43] Article complémentaire / Info
complémentaire 2: sans joint de carter d'huile

[43] Artículo complementario/ Información
complementaria 2: sin junta de cárter de aceite

[43] Articolo complementare/Info integrativa 2:
Senza guarnizione coppa olio

1262  **80.00 Diesel** 

F8Q 648 4 Cyl. 21.5:1 1870cc **66kW (90)PS** **TD21251** **517**

			
	<p>08-103500-00 STD 08-103507-00 0.50mm</p> <p>2.50  CK P 2.00  NT 3.00  CR P</p> <p>08-105100-00 STD 08-105107-00 0.50mm</p> <p>2.00  CK P 2.00  P 3.00  CR P</p>		

1262



80.00

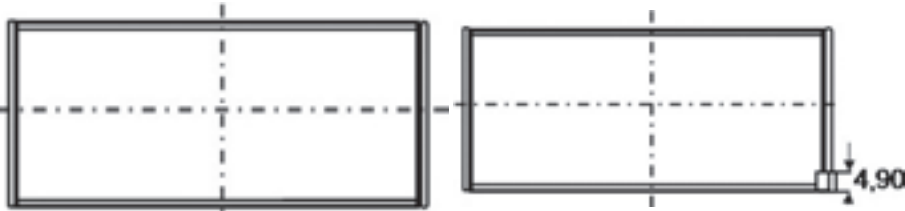
Diesel

	<p>08-111800-00 STD 08-111807-00 0.50mm</p> <p>2.50 P PS 2.00 P 3.00 CR P</p>		

BE/PL	4	48.000/48.020	51.587/51.606	20.250	1.776	0.015/0.079	EC	71-3988	71-3988/4 STD 0.25 0.50	[45]
01/98 →										
BE/PL	4	48.000/48.020	51.587/51.600	20.500	1.768	0.031/0.089	BS	4060CP	71-4311/4 STD 0.25 0.50	
→12/97										

71-3988

4060CP



MB/HL 1-5	5	54.785/54.805	58.731/58.744	18.500	1.947	0.032/0.090	EC	72-3989	H098/5 STD 0.25 0.50
--------------	---	---------------	---------------	--------	-------	-------------	----	---------	--------------------------------

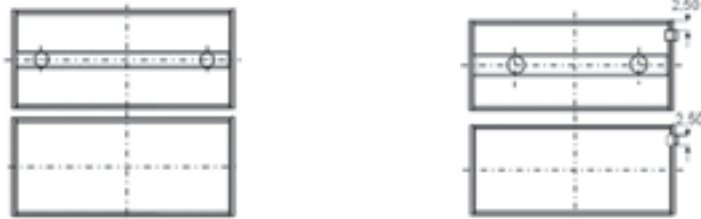
01/98 →

MB/HL 1-5	5	54.785/54.795	58.731/58.744	18.500	1.945	0.046/0.094	AL-LF	66741RA	H1080/5 STD 0.25 0.50
--------------	---	---------------	---------------	--------	-------	-------------	-------	---------	---------------------------------

→12/97

72-3989

66741RA



TW/A	2	60.500/60.750	79.750/80.000		2.350		AL-LF	66741AF	A215/2 STD 0.10
SE/PB	1	24.005/24.012	26.000/26.021	24.750			BC	55-3875	55-3875 SEMI

--	--	--

EC5060

JH5041

NA5036 42.00x54.00x6.00mm, FPM
NF850 85.00x105.00x8.00mm, FPM



JH5041

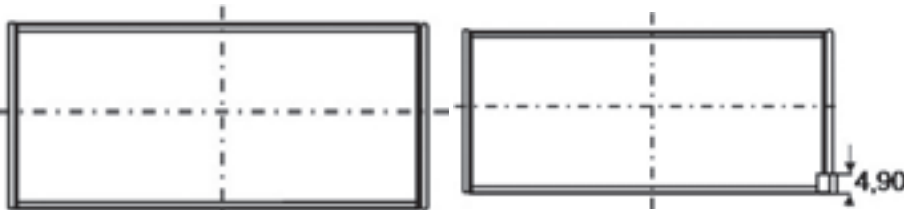
1263


80.00
Diesel

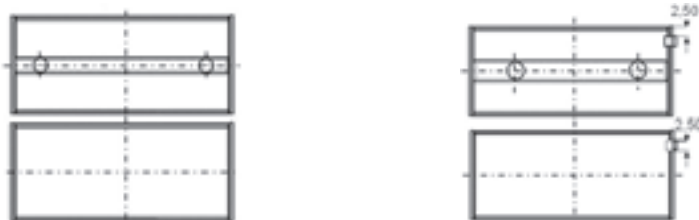
F8Q 662 4 Cyl. 21.5:1 1870cc **47kW (64)PS** **TD9625** **519**
KANGOO 08/97 →

87-336500-10 STD 87-336507-10 0.50mm A 42.25 B- 1.58 D 70.50 24x63	 	08-336500-00 STD 08-336505-00 0.25mm 08-336507-00 0.50mm 08-336510-00 0.80mm 2.00 MO P 2.00 P 3.00 CR P	

BE/PL	4	48.000/48.020	51.587/51.606	20.250	1.776	0.015/0.079	EC	71-3988	71-3988/4 STD 0.25 0.50	[45]
01/98 →										
BE/PL	4	48.000/48.020	51.587/51.600	20.500	1.768	0.031/0.089	BS	4060CP	71-4311/4 STD 0.25 0.50	
→12/97										








71-3988
4060CP




MB/HL 1-5	5	54.785/54.805	58.731/58.744	18.500	1.947	0.032/0.090	EC	72-3989	H098/5 STD 0.25 0.50
01/98 →									
MB/HL 1-5	5	54.785/54.795	58.731/58.744	18.500	1.945	0.046/0.094	AL-LF	66741RA	H1080/5 STD 0.25 0.50
→12/97									

72-3989
66741RA










TW/A	2	60.500/60.750	79.750/80.000		2.350		AL-LF	66741AF	A215/2 STD 0.10
SE/PB	1	24.005/24.012	26.000/26.021	24.750			BC	55-3875	55-3875 SEMI











1263  **80.00** **Diesel**

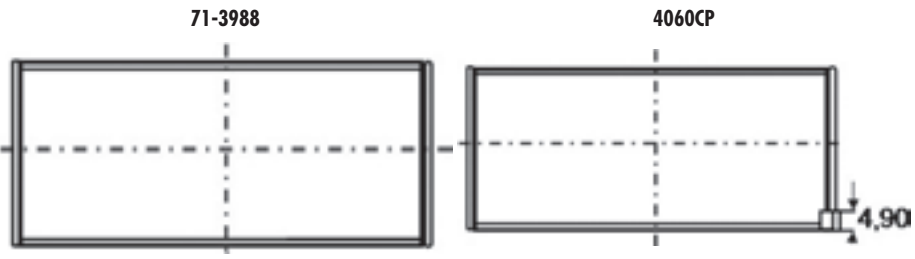
		
EC5060	JH5041 =KG5012 16.00x23.00x1.500mm	NA5036  42.00x54.00x6.00mm, FPM NF850  85.00x105.00x8.00mm, FPM NA5037  85.00x105.00x11.00mm, ACM
		
	JH5041	

1264  **80.00** **Diesel** 

F8Q 676	4 Cyl.	21.5:1	1870cc	48kW (65)PS	TD23895	520
CLIO	05/96 → 02/98					



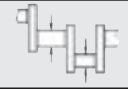






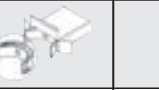

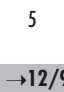
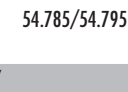







			
87-336500-00 STD 87-336505-00 0.25mm 87-336507-00 0.50mm 87-336510-00 0.80mm	08-336500-00 STD 08-336505-00 0.25mm 08-336507-00 0.50mm 08-336510-00 0.80mm		
A 42.35 B- 0.70 D 70.50  24x63	2.00  MO P 2.00  P 3.00  CR P		
RT			

									
BE/PL	4	48.000/48.020	51.587/51.606	20.250	1.776	0.015/0.079	EC	71-3988	71-3988/4 STD 0.25 0.50 [45]
01/98 →									
BE/PL	4	48.000/48.020	51.587/51.600	20.500	1.768	0.031/0.089	BS	4060CP	71-4311/4 STD 0.25 0.50
→12/97									

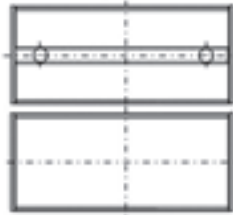


...Continued

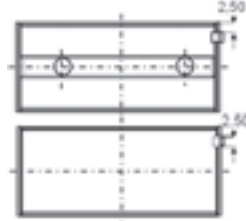
1264  **80.00 Diesel**

									
01/98 →									
									
→12/97									

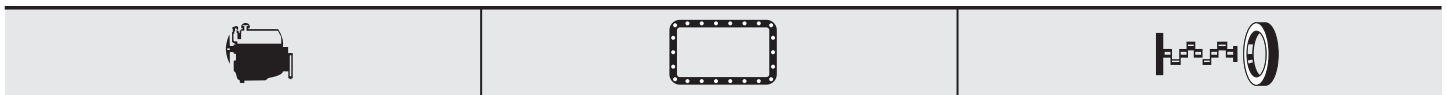
72-3989



66741RA





TW/A	2	60.500/60.750	79.750/80.000		2.350		AL-LF	66741AF	A215/2 STD 0.10
SE/PB	1	24.005/24.012	26.000/26.021	24.750			BC	55-3875	55-3875 SEMI



 **EL960** [42][43]

JJ557

NA5036  42.00x54.00x6.00mm, FPM
NF850  85.00x105.00x8.00mm, FPM



JJ557

[42] Supplementary Article/Supplementary Info:
with gaskets/seals
[43] Supplementary Article/Supplementary Info 2:
without oil pan gasket



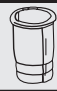




[42] Article complémentaire /
Info complémentaire: avec joints
[43] Article complémentaire / Info
complémentaire 2: sans joint de carter d'huile

[42] Artículo complementario/Información
complementaria: con juntas
[43] Artículo complementario/ Información
complementaria 2: sin junta de cárter de aceite

[42] Articolo complementare/Info
integrativa: con guarnizioni
[43] Articolo complementare/Info integrativa 2:
Senza guarnizione coppa olio

1265  **80.00 Diesel** 

F8Q 678	4 Cyl.	21.5:1	1870cc	48-40kW (65-54)PS	TD20390	521
CLIO	04/96 → 09/98					

			
	<p>08-336500-00 STD 08-336505-00 0.25mm 08-336507-00 0.50mm 08-336510-00 0.80mm</p> <p>2.00  MO P 2.00  P 3.00  CR P</p>		

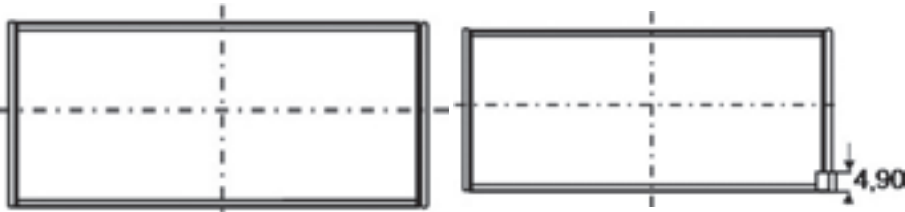
1265


80.00
Diesel

BE/PL	4	48.000/48.020	51.587/51.606	20.250	1.776	0.015/0.079	EC	71-3988	71-3988/4 STD 0.25 0.50	[45]

01/98 →

BE/PL	4	48.000/48.020	51.587/51.600	20.500	1.768	0.031/0.089	BS	4060CP	71-4311/4 STD 0.25 0.50
-------	---	---------------	---------------	--------	-------	-------------	----	--------	-----------------------------------

 → **12/97**
71-3988
4060CP


MB/HL 1-5	5	54.785/54.805	58.731/58.744	18.500	1.947	0.032/0.090	EC	72-3989	H098/5 STD 0.25 0.50
--------------	---	---------------	---------------	--------	-------	-------------	----	---------	--------------------------------

01/98 →

MB/HL 1-5	5	54.785/54.795	58.731/58.744	18.500	1.945	0.046/0.094	AL-LF	66741RA	H1080/5 STD 0.25 0.50
--------------	---	---------------	---------------	--------	-------	-------------	-------	---------	---------------------------------

 → **12/97**
72-3989
66741RA


TW/A	2	60.500/60.750	79.750/80.000		2.350		AL-LF	66741AF	A215/2 STD 0.10
SE/PB	1	24.005/24.012	26.000/26.021	24.750			BC	55-3875	55-3875 SEMI

--	--	--

EL960 [42][43]

JJ557
 =PA349
 22.00x16.00x2.000mm

JJ557
NA5036 42.00x54.00x6.00mm, FPM
NF843 50.00x68.00x10.00mm, FPM/ACM
NF850 85.00x105.00x8.00mm, FPM
NA5037 85.00x105.00x11.00mm, ACM

 [42] Supplementary Article/Supplementary Info:
 with gaskets/seals

 [43] Supplementary Article/Supplementary Info 2:
 without oil pan gasket

 [42] Article complémentaire /
 Info complémentaire: avec joints

 [43] Article complémentaire / Info
 complémentaire 2: sans joint de carter d'huile

 [42] Artículo complementario/Información
 complementaria: con juntas

 [43] Artículo complementario/ Información
 complementaria 2: sin junta de cárter de aceite

 [42] Articolo complementare/Info
 integrativa: con guarnizioni

 [43] Articolo complementare/Info integrativa 2:
 Senza guarnizione coppa olio



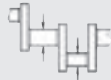






1266

 **80.00**

Diesel



F8Q 680	4 Cyl.	21.5:1	1870cc	40-66kW (54-90)PS	TD21253	517
F8Q 684	4 Cyl.	21.5:1	1870cc	40-48kW (54-65)PS	TD21254	517

									71-3988/4 STD 0.25 0.50	[45]
BE/PL	4	48.000/48.020	51.587/51.606	20.250	1.776	0.015/0.079	EC	71-3988		

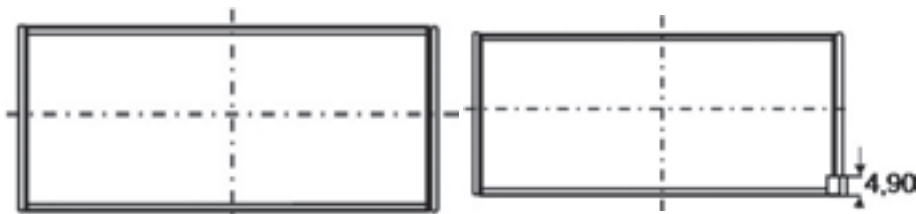
01/98 →

BE/PL	4	48.000/48.020	51.587/51.600	20.500	1.768	0.031/0.089	BS	4060CP	71-4311/4 STD 0.25 0.50	
-------	---	---------------	---------------	--------	-------	-------------	----	--------	-----------------------------------	--

→12/97

71-3988

4060CP



MB/HL 1-5	5	54.785/54.805	58.731/58.744	18.500	1.947	0.032/0.090	EC	72-3989	H098/5 STD 0.25 0.50	
--------------	---	---------------	---------------	--------	-------	-------------	----	---------	--------------------------------	--

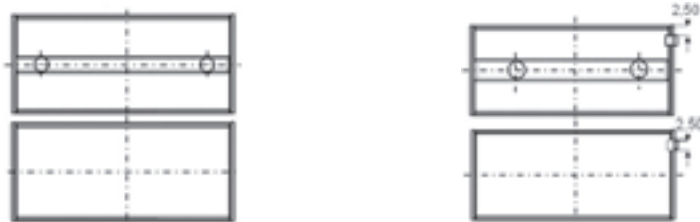
01/98 →

MB/HL 1-5	5	54.785/54.795	58.731/58.744	18.500	1.945	0.046/0.094	AL-LF	66741RA	H1080/5 STD 0.25 0.50	
--------------	---	---------------	---------------	--------	-------	-------------	-------	---------	---------------------------------	--




→12/97

72-3989

66741RA



TW/A	2	60.500/60.750	79.750/80.000		2.350		AL-LF	66741AF	A215/2 STD 0.10	
SE/PB	1	24.005/24.012	26.000/26.021	24.750			BC	55-3875	55-3875 SEMI	

		
---	---	---

EC5060

JH5041

NA5036 42.00x54.00x6.00mm, FPM
NF850 85.00x105.00x8.00mm, FPM



JH5041

1267



80.00

Diesel



F8Q 682 4 Cyl. 21.5:1 1870cc 48kW (65)PS TD16544 522

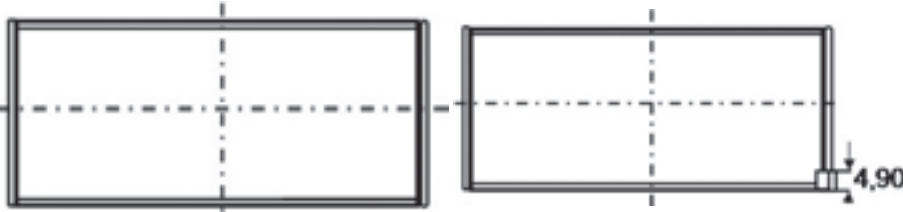
RAPID 09/94 → 03/98

	<p>08-336500-00 STD</p> <p>08-336505-00 0.25mm</p> <p>08-336507-00 0.50mm</p> <p>08-336510-00 0.80mm</p> <p>2.00 MO P</p> <p>2.00 P</p> <p>3.00 CR P</p>		

BE/PL	4	48.000/48.020	51.587/51.606	20.250	1.776	0.015/0.079	EC	71-3988	71-3988/4 STD 0.25 0.50	[45]
01/98 →										
BE/PL	4	48.000/48.020	51.587/51.600	20.500	1.768	0.031/0.089	BS	4060CP	71-4311/4 STD 0.25 0.50	
→12/97										

71-3988

4060CP



MB/HL 1-5	5	54.785/54.805	58.731/58.744	18.500	1.947	0.032/0.090	EC	72-3989	H098/5 STD 0.25 0.50
--------------	---	---------------	---------------	--------	-------	-------------	----	---------	--------------------------------

01/98 →

MB/HL 1-5	5	54.785/54.795	58.731/58.744	18.500	1.945	0.046/0.094	AL-LF	66741RA	H1080/5 STD 0.25 0.50
--------------	---	---------------	---------------	--------	-------	-------------	-------	---------	---------------------------------

→12/97









72-3989



66741RA

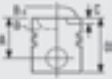


















TW/A	2	60.500/60.750	79.750/80.000		2.350		AL-LF	66741AF	A215/2 STD 0.10
SE/PB	1	24.005/24.012	26.000/26.021	24.750			BC	55-3875	55-3875 SEMI

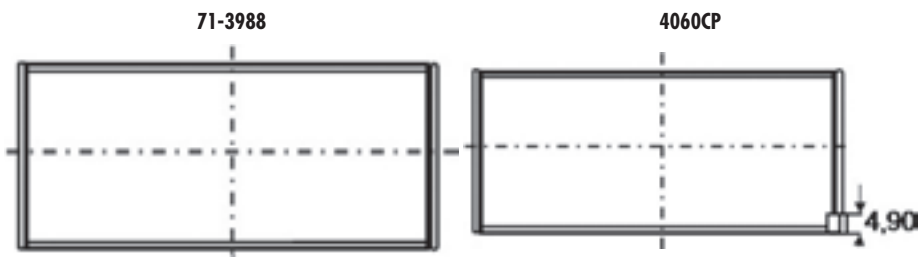
...Continued

1267	 80.00	Diesel
		
EC5060	JH5041	NA5036  42.00x54.00x6.00mm, FPM NF843  50.00x68.00x10.00mm, FPM/ACM NF850  85.00x105.00x8.00mm, FPM
		
	JH5041	

1268	 80.00	Diesel				
F8Q 696	4 Cyl.	21.5:1	1870cc	40-48kW (54-65)PS	TD21255	523
CLIO	05/96 → 02/98					

			
	08-336500-00 STD 08-336505-00 0.25mm 08-336507-00 0.50mm 08-336510-00 0.80mm 2.00  MO P 2.00  P 3.00  CR P		

									
BE/PL	4	48.000/48.020	51.587/51.606	20.250	1.776	0.015/0.079	EC	71-3988	71-3988/4 STD 0.25 0.50 [45]
01/98 →									
BE/PL	4	48.000/48.020	51.587/51.600	20.500	1.768	0.031/0.089	BS	4060CP	71-4311/4 STD 0.25 0.50
→12/97									



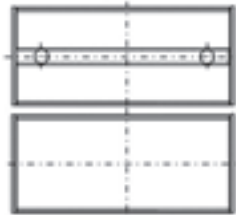
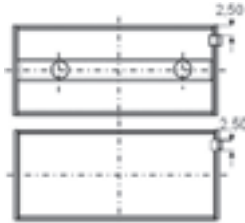
1268


80.00
Diesel

--	--	--	--	--	--	--	--	--	--

01/98 →

--	--	--	--	--	--	--	--	--	--

 → **12/97**
72-3989

66741RA



EL960 [42][43]

JJ557

NA5036 42.00x54.00x6.00mm, FPM
NF843 50.00x68.00x10.00mm, FPM/ACM
NF850 85.00x105.00x8.00mm, FPM

JJ557

 [42] Supplementary Article/Supplementary Info:
with gaskets/seals

 [42] Article complémentaire /
Info complémentaire: avec joints

 [42] Artículo complementario/Información
complementaria: con juntas

 [42] Articolo complementare/Info
integrativa: con guarnizioni

 [43] Supplementary Article/Supplementary Info 2:
without oil pan gasket

 [43] Article complémentaire / Info
complémentaire 2: sans joint de carter d'huile

 [43] Artículo complementario/ Información
complementaria 2: sin junta de cárter de aceite

 [43] Articolo complementare/Info integrativa 2:
Senza guarnizione coppa olio

1269


80.00
Diesel




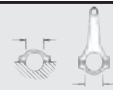







F8Q 706	4 Cyl.	21.5:1	1870cc	47-48kW (64-65)PS	TD3287	524
----------------	--------	--------	--------	--------------------------	---------------	------------








19 01/88 → 12/95

87-336500-00	STD	87-336505-00	0.25mm	87-336507-00	0.50mm	87-336510-00	0.80mm	08-336500-00	STD	08-336505-00	0.25mm	08-336507-00	0.50mm	08-336510-00	0.80mm	2.00	MO P	2.00	P	3.00	CR P
A	42.35	B-	0.70	D	70.50		24x63	RT													

...Continued

1269  **80.00** **Diesel**

									
BE/PL	4	48.000/48.020	51.587/51.600	20.500	1.768	0.031/0.089	BS	4060CP	71-4311/4 STD 0.25 0.50
MB/HL 1-5	5	54.785/54.795	58.731/58.744	18.500	1.945	0.046/0.094	AL-LF	66741RA	H1080/5 STD 0.25 0.50
TW/A	2	60.500/60.750	79.750/80.000		2.350		AL-LF	66741AF	A215/2 STD 0.10
SE/PB	1	24.005/24.012	26.000/26.021	24.750			BC	55-3875	55-3875 SEMI

		
EL960 [42][43]	JJ557 ⇒ PA349 22.00x16.00x2.000mm 	NA5036  42.00x54.00x6.00mm, FPM NF843  50.00x68.00x10.00mm, FPM/ACM NF850  85.00x105.00x8.00mm, FPM

[42] Supplementary Article/Supplementary Info:
with gaskets/seals

[42] Article complémentaire /
Info complémentaire: avec joints

[42] Artículo complementario/Información
complementaria: con juntas



[42] Articolo complementare/Info
integrativa: con guarnizioni

[43] Supplementary Article/Supplementary Info 2:
without oil pan gasket

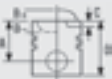







[43] Article complémentaire / Info
complémentaire 2: sans joint de carter d'huile



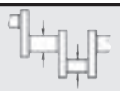
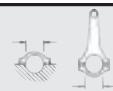






[43] Artículo complementario/ Información
complementaria 2: sin junta de cárter de aceite

[43] Articolo complementare/Info integrativa 2:
Senza guarnizione coppa olio

1270  **80.00** **Diesel** 

F8Q 710	4 Cyl.	21.5:1	1870cc	47kW (64)PS	TD3288	525
F8Q 742	4 Cyl.	21.5:1	1870cc	47-48kW (64-65)PS	TD3295	525
19	01/88→12/95	21	03/86→08/94			

			
87-336500-00 STD 87-336505-00 0.25mm 87-336507-00 0.50mm 87-336510-00 0.80mm	08-336500-00 STD 08-336505-00 0.25mm 08-336507-00 0.50mm 08-336510-00 0.80mm		
A 42.35 B- 0.70 D 70.50  24x63	2.00  MO P 2.00  P 3.00  CR P		
RT			



									
BE/PL	4	48.000/48.020	51.587/51.600	20.500	1.768	0.031/0.089	BS	4060CP	71-4311/4 STD 0.25 0.50
MB/HL 1-5	5	54.785/54.795	58.731/58.744	18.500	1.945	0.046/0.094	AL-LF	66741RA	H1080/5 STD 0.25 0.50
TW/A	2	60.500/60.750	79.750/80.000		2.350		AL-LF	66741AF	A215/2 STD 0.10
SE/PB	1	24.005/24.012	26.000/26.021	24.750			BC	55-3875	55-3875 SEMI

1270 80.00 Diesel



EL960 [42][43]

JJ557
PA349
 22.00x16.00x2.000mm

NF843  50.00x68.00x10.00mm, FPM/ACM
NF850  85.00x105.00x8.00mm, FPM



JJ557

[42] Supplementary Article/Supplementary Info: with gaskets/seals

[42] Article complémentaire / Info complémentaire: avec joints

[42] Artículo complementario/Información complementaria: con juntas

[42] Articolo complementare/Info integrativa: con guarnizioni

[43] Supplementary Article/Supplementary Info 2: without oil pan gasket

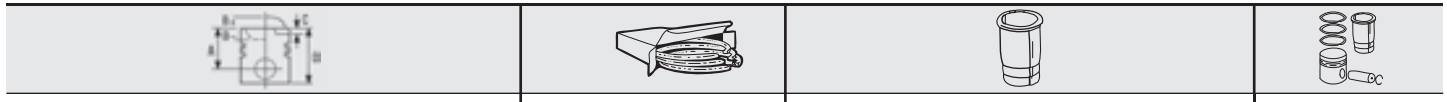
[43] Article complémentaire / Info complémentaire 2: sans joint de carter d'huile

[43] Artículo complementario/ Información complementaria 2: sin junta de cárter de aceite

[43] Articolo complementare/Info integrativa 2: Senza guarnizione coppa olio

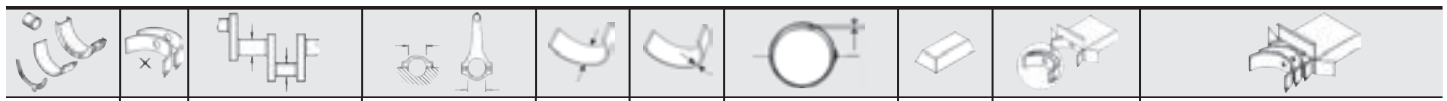
1271 80.00 Diesel

F8Q 714	4 Cyl.	21.5:1	1870cc	47-48kW (64-65)PS	TD3289	526
F8Q 764	4 Cyl.	21.5:1	1870cc	47kW (64)PS	TD3297	533



08-336500-00 STD
08-336505-00 0.25mm
08-336507-00 0.50mm
08-336510-00 0.80mm

2.00  MO P
 2.00  P
 3.00  CR P



BE/PL	4	48.000/48.020	51.587/51.606	20.250	1.776	0.015/0.079	EC	71-3988	71-3988/4 STD 0.25 0.50	[45]
-------	---	---------------	---------------	--------	-------	-------------	----	---------	-----------------------------------	------

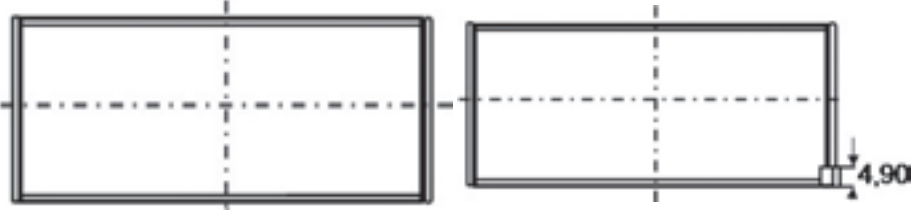
01/98→

BE/PL	4	48.000/48.020	51.587/51.600	20.500	1.768	0.031/0.089	BS	4060CP	71-4311/4 STD 0.25 0.50
-------	---	---------------	---------------	--------	-------	-------------	----	--------	-----------------------------------

→12/97



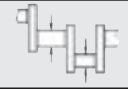








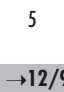
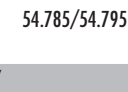



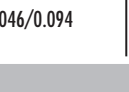



71-3988

4060CP

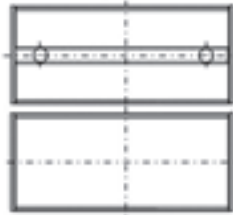


...Continued

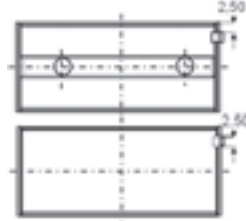
1271  **80.00 Diesel**

									
01/98 →									
									
→12/97									

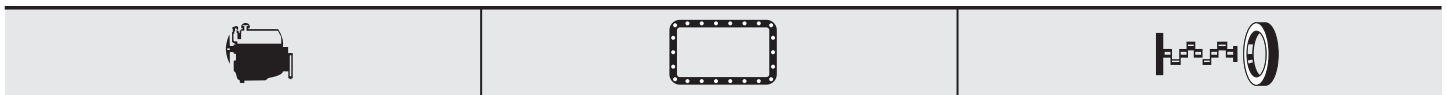
72-3989



66741RA





TW/A	2	60.500/60.750	79.750/80.000		2.350		AL-LF	66741AF	A215/2 STD 0.10
SE/PB	1	24.005/24.012	26.000/26.021	24.750			BC	55-3875	55-3875 SEMI



 **EL960** [42][43]

JJ557

NF843  50.00x68.00x10.00mm, FPM/ACM
NF850  85.00x105.00x8.00mm, FPM



JJ557

[42] Supplementary Article/Supplementary Info:
with gaskets/seals
[43] Supplementary Article/Supplementary Info 2:
without oil pan gasket

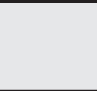
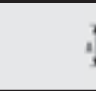
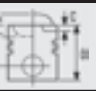
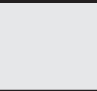

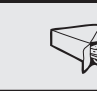

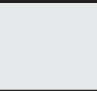
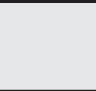
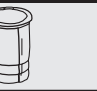
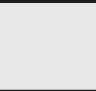



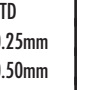




[42] Article complémentaire /
Info complémentaire: avec joints
[43] Article complémentaire / Info
complémentaire 2: sans joint de carter d'huile

[42] Artículo complementario/Información
complementaria: con juntas
[43] Artículo complementario/ Información
complementaria 2: sin junta de cárter de aceite

[42] Articolo complementare/Info
integrativa: con guarnizioni
[43] Articolo complementare/Info integrativa 2:
Senza guarnizione coppa olio

1272  **80.00 Diesel** 

F8Q 722	4 Cyl.	21.5:1	1870cc	47-48kW (64-67)PS	TD3290	527
RAPID	09/91 → 03/98					

										
87-336500-00	STD			08-336500-00	STD					
87-336505-00	0.25mm			08-336505-00	0.25mm					
87-336507-00	0.50mm			08-336507-00	0.50mm					
87-336510-00	0.80mm			08-336510-00	0.80mm					
A	42.35			2.00		MO P				
B-	0.70			2.00		P				
D	70.50			3.00		CR P				
	24x63									
RT										

1272



80.00

Diesel

BE/PL	4	48.000/48.020	51.587/51.606	20.250	1.776	0.015/0.079	EC	71-3988	71-3988/4 STD 0.25 0.50	[45]

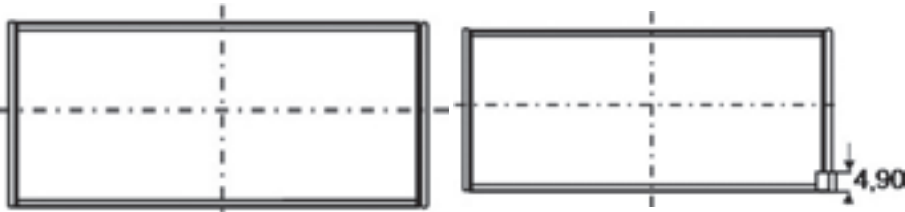
01/98 →

BE/PL	4	48.000/48.020	51.587/51.600	20.500	1.768	0.031/0.089	BS	4060CP	71-4311/4 STD 0.25 0.50	
-------	---	---------------	---------------	--------	-------	-------------	----	--------	-----------------------------------	--

→12/97

71-3988

4060CP



MB/HL 1-5	5	54.785/54.805	58.731/58.744	18.500	1.947	0.032/0.090	EC	72-3989	H098/5 STD 0.25 0.50	
--------------	---	---------------	---------------	--------	-------	-------------	----	---------	--------------------------------	--

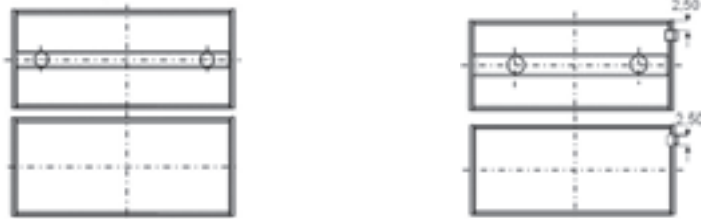
01/98 →

MB/HL 1-5	5	54.785/54.795	58.731/58.744	18.500	1.945	0.046/0.094	AL-LF	66741RA	H1080/5 STD 0.25 0.50	
--------------	---	---------------	---------------	--------	-------	-------------	-------	---------	---------------------------------	--

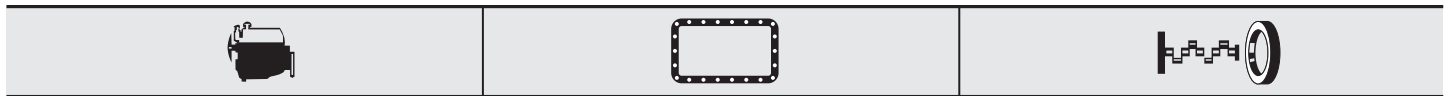
→12/97

72-3989

66741RA



TW/A	2	60.500/60.750	79.750/80.000		2.350		AL-LF	66741AF	A215/2 STD 0.10	
SE/PB	1	24.005/24.012	26.000/26.021	24.750			BC	55-3875	55-3875 SEMI	



EL960 [42][43]

JJ557

NF843 50.00x68.00x10.00mm, FPM/ACM

NF850 85.00x105.00x8.00mm, FPM



JJ557

[42] Supplementary Article/Supplementary Info:
with gaskets/seals

[42] Article complémentaire /
Info complémentaire: avec joints

[42] Artículo complementario/Información
complementaria: con juntas

[42] Articolo complementare/Info
integrativa: con guarnizioni

[43] Supplementary Article/Supplementary Info 2:
without oil pan gasket

[43] Article complémentaire / Info
complémentaire 2: sans joint de carter d'huile

[43] Artículo complementario/ Información
complementaria 2: sin junta de cárter de aceite

[43] Articolo complementare/Info integrativa 2:
Senza guarnizione coppa olio

1273



80.00

Diesel



F8Q 730

4 Cyl.

21.5:1

1870cc

47-48kW (64-65)PS

TD4868

529

CLIO

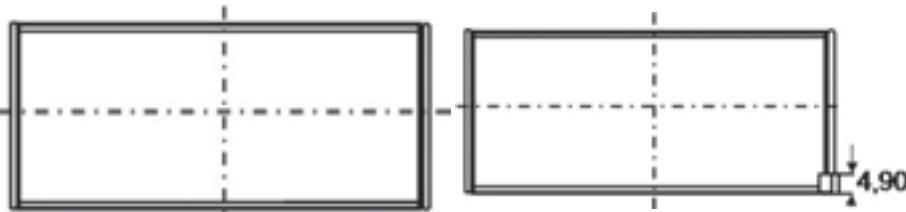
01/91 → 09/98

87-336500-00 STD 87-336505-00 0.25mm 87-336507-00 0.50mm 87-336510-00 0.80mm		08-336500-00 STD 08-336505-00 0.25mm 08-336507-00 0.50mm 08-336510-00 0.80mm					
A 42.35 B- 0.70 D 70.50 24x63 RT		2.00 MO P 2.00 P 3.00 CR P					

BE/PL	4	48.000/48.020	51.587/51.606	20.250	1.776	0.015/0.079	EC	71-3988	71-3988/4 STD 0.25 0.50	[45]
01/98 →										
BE/PL	4	48.000/48.020	51.587/51.600	20.500	1.768	0.031/0.089	BS	4060CP	71-4311/4 STD 0.25 0.50	
→12/97										

71-3988

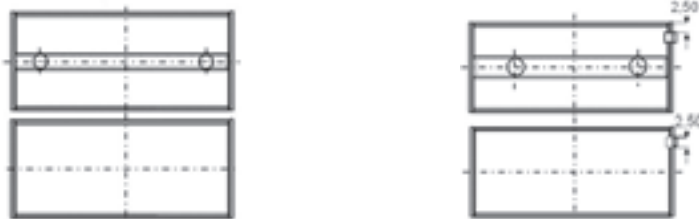
4060CP



MB/HL 1-5	5	54.785/54.805	58.731/58.744	18.500	1.947	0.032/0.090	EC	72-3989	H098/5 STD 0.25 0.50	
01/98 →										
MB/HL 1-5	5	54.785/54.795	58.731/58.744	18.500	1.945	0.046/0.094	AL-LF	66741RA	H1080/5 STD 0.25 0.50	
→12/97										

72-3989



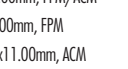

66741RA



TW/A	2	60.500/60.750	79.750/80.000		2.350		AL-LF	66741AF	A215/2 STD 0.10
SE/PB	1	24.005/24.012	26.000/26.021	24.750			BC	55-3875	55-3875 SEMI

1273  **80.00 Diesel**



 EL960 [42][43]	JJ557 PA349 22.00x16.00x2.000mm 	NF843  50.00x68.00x10.00mm, FPM/ACM NF850  85.00x105.00x8.00mm, FPM NA5037  85.00x105.00x11.00mm, ACM
--	--	---

[42] Supplementary Article/Supplementary Info: with gaskets/seals
 [43] Supplementary Article/Supplementary Info 2: without oil pan gasket

[42] Article complémentaire / Info complémentaire: avec joints
 [43] Article complémentaire / Info complémentaire 2: sans joint de carter d'huile






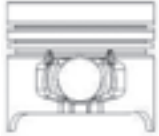




[42] Artículo complementario/Información complementaria: con juntas
 [43] Artículo complementario/ Información complementaria 2: sin junta de cárter de aceite











[42] Articolo complementare/Info integrativa: con guarnizioni
 [43] Articolo complementare/Info integrativa 2: Senza guarnizione coppa olio

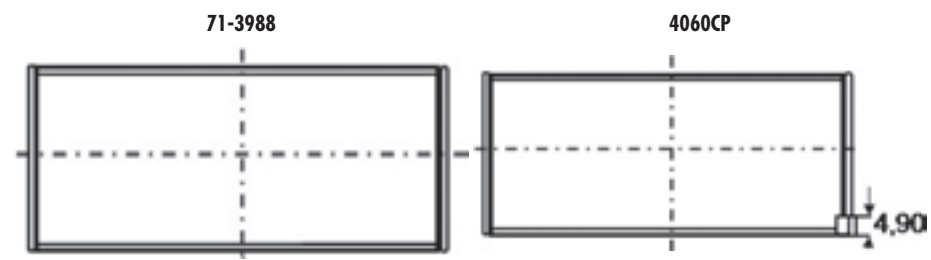
1274  **80.00 Diesel** 

F8Q 732	4 Cyl.	21.5:1	1870cc	47-48kW (64-65)PS	TD4869	530
----------------	--------	--------	--------	--------------------------	---------------	------------

CLIO 01/91 → 09/98



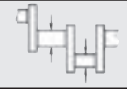










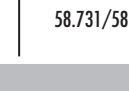


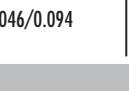



			
87-336500-00 STD 87-336505-00 0.25mm 87-336507-00 0.50mm 87-336510-00 0.80mm A 42.35 B- 0.70 D 70.50  24x63 RT	 	08-336500-00 STD 08-336505-00 0.25mm 08-336507-00 0.50mm 08-336510-00 0.80mm 2.00  MO P 2.00  P 3.00  CR P	

									
BE/PL	4	48.000/48.020	51.587/51.606	20.250	1.776	0.015/0.079	EC	71-3988	71-3988/4 STD 0.25 0.50 [45]
01/98 →									
BE/PL	4	48.000/48.020	51.587/51.600	20.500	1.768	0.031/0.089	BS	4060CP	71-4311/4 STD 0.25 0.50
→12/97									

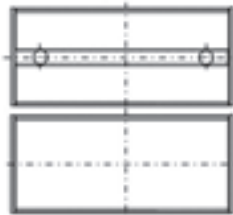


...Continued

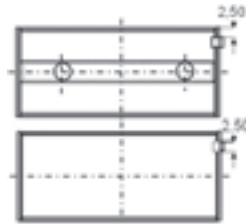
1274  **80.00 Diesel**





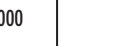
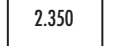

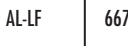




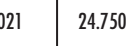



									
01/98 →									
									
→12/97									

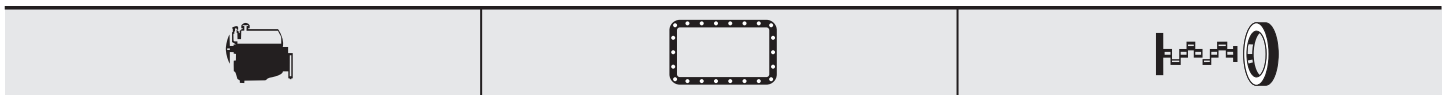
72-3989



66741RA








 **EL960** [42][43]

JJ557
= **PA349**
22.00x16.00x2.00mm



JJ557

NF843  50.00x68.00x10.00mm, FPM/ACM
NF850  85.00x105.00x8.00mm, FPM
NA5037  85.00x105.00x11.00mm, ACM

[42] Supplementary Article/Supplementary Info: with gaskets/seals

[42] Article complémentaire / Info complémentaire: avec joints

[42] Artículo complementario/Información complementaria: con juntas

[42] Articolo complementare/Info integrativa: con guarnizioni

[43] Supplementary Article/Supplementary Info 2: without oil pan gasket

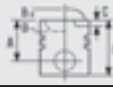
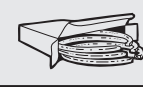

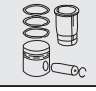









[43] Article complémentaire / Info complémentaire 2: sans joint de carter d'huile

[43] Artículo complementario/ Información complementaria 2: sin junta de cárter de aceite

[43] Articolo complementare/Info integrativa 2: Senza guarnizione coppa olio

1275  **80.00 Diesel** 

F8Q 744	4 Cyl.	20.5:1	1870cc	66kW (89)PS	TD3296	532
19	04/92 → 12/95					

			
87-103500-00 87-103507-00	STD 0.50mm	08-103500-00 08-103507-00	STD 0.50mm
A 41.71 B- 0.70 D 66.69  26x67		2.50  CK P 2.00  NT 3.00  CR P	
AK KK RT		08-105100-00 08-105107-00	STD 0.50mm
		2.00  CK P 2.00  P 3.00  CR P	

1275


80.00
Diesel

	08-111800-00 STD 08-111807-00 0.50mm →01/97 2.50 P PS 2.00 P 3.00 CR P		

BE/PL	4	48.000/48.020	51.587/51.600	20.500	1.768	0.031/0.089	BS	4060CP	71-4311/4 STD 0.25 0.50
MB/HL 1-5	5	54.785/54.795	58.731/58.744	18.500	1.945	0.046/0.094	AL-LF	66741RA	H1080/5 STD 0.25 0.50
TW/A	2	60.500/60.750	79.750/80.000		2.350		AL-LF	66741AF	A215/2 STD 0.10
SE/PB	1	26.013/26.025	29.000/29.021	22.900			BS	66509Y	55-4394 SEMI

--	--	--

EL960 [42][43]

JJ557
PA349
 22.00x16.00x2.000mm

JJ557
NF843 50.00x68.00x10.00mm, FPM/ACM
NF850 85.00x105.00x8.00mm, FPM

 [42] Supplementary Article/Supplementary Info:
 with gaskets/seals

 [42] Article complémentaire /
 Info complémentaire: avec joints
 [43] Article complémentaire / Info
 complémentaire 2: sans joint de carter d'huile

 [42] Artículo complementario/Información
 complementaria: con juntas
 [43] Artículo complementario/ Información
 complementaria 2: sin junta de cárter de aceite

 [42] Articolo complementare/Info
 integrativa: con guarnizioni
 [43] Articolo complementare/Info integrativa 2:
 Senza guarnizione coppa olio

1276


80.00
Diesel


F8Q 748	4 Cyl.	1870cc	52kW (71)PS	TD27320
F8Q 754	4 Cyl.	1870cc	71kW (97)PS	TD27327

BE/PL	4	48.000/48.020	51.587/51.600	20.500	1.768	0.031/0.089	BS	4060CP	71-4311/4 STD 0.25 0.50
MB/HL 1-5	5	54.785/54.795	58.731/58.744	18.500	1.945	0.046/0.094	AL-LF	66741RA	H1080/5 STD 0.25 0.50
TW/A	2	60.500/60.750	79.750/80.000		2.350		AL-LF	66741AF	A215/2 STD 0.10
SE/PB	1	26.013/26.025	29.000/29.021	22.900			BS	66509Y	55-4394 SEMI

--	--	--

NA5036 42.00x54.00x6.00mm, FPM
NF850 85.00x105.00x8.00mm, FPM

1277

 **80.00**

Diesel



F8Q 768

4 Cyl.


















20.5:1




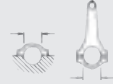






1870cc

66kW (90)PS

TD19234

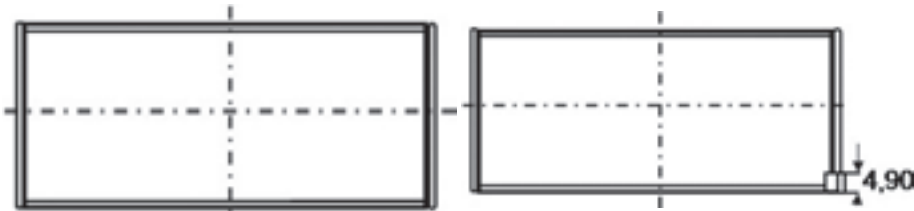
534

					
87-103500-00 87-103507-00	STD 0.50mm		08-103500-00 08-103507-00	STD 0.50mm	
A 41.71 B- 0.70 D 66.69  26x67			2.50  CK P 2.00  NT 3.00  CR P		
AK KK RT			08-105100-00 08-105107-00	STD 0.50mm	
			2.00  CK P 2.00  P 3.00  CR P		
			08-111800-00 08-111807-00 →01/97	STD 0.50mm	
			2.50  P PS 2.00  P 3.00  CR P		

									
BE/PL	4	48.000/48.020	51.587/51.606	20.250	1.776	0.015/0.079	EC	71-3988	71-3988/4 STD 0.25 0.50 [45]
01/98 →									
BE/PL	4	48.000/48.020	51.587/51.600	20.500	1.768	0.031/0.089	BS	4060CP	71-4311/4 STD 0.25 0.50
→12/97									

71-3988

4060CP



MB/HL 1-5	5	54.785/54.805	58.731/58.744	18.500	1.947	0.032/0.090	EC	72-3989	H098/5 STD 0.25 0.50
01/98 →									
MB/HL 1-5	5	54.785/54.795	58.731/58.744	18.500	1.945	0.046/0.094	AL-LF	66741RA	H1080/5 STD 0.25 0.50
→12/97									

72-3989










66741RA






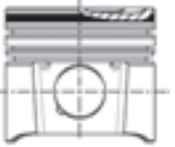















TW/A	2	60.500/60.750	79.750/80.000		2.350		AL-LF	66741AF	A215/2 STD 0.10
SE/PB	1	26.013/26.025	29.000/29.021	22.900			BS	66509Y	55-4394 SEMI



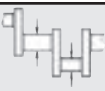
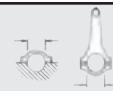






RENAULT/DACIA

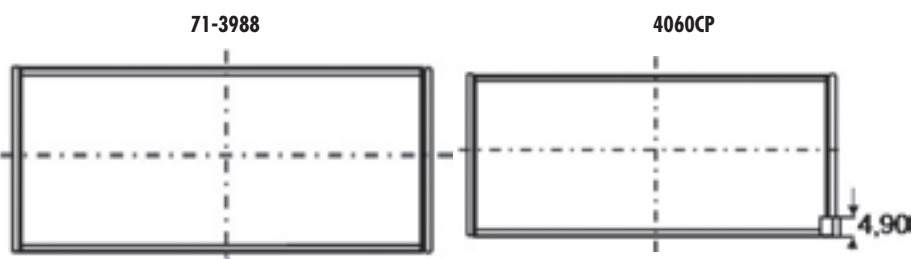
...Continued

1277	 80.00	Diesel
		
EC5060	JH5041	NA5036  42.00x54.00x6.00mm, FPM NF843  50.00x68.00x10.00mm, FPM/ACM NF850  85.00x105.00x8.00mm, FPM NA5037  85.00x105.00x11.00mm, ACM
		
	JH5041	

1278	 80.00	Diesel				
F8Q 784	4 Cyl.	20.5:1	1870cc	66-69kW (90-94)PS	TD4870	537
MEGANE	01/96 → 08/03					




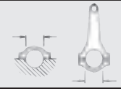







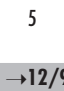
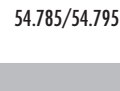
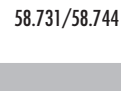






						
87-103500-00 STD 87-103507-00 0.50mm A 41.71 B- 0.70 D 66.69  26x67 AK KK RT	08-103500-00 STD 08-103507-00 0.50mm 2.50  CK P 2.00  NT 3.00  CR P 08-105100-00 STD 08-105107-00 0.50mm 2.00  CK P 2.00  P 3.00  CR P 08-111800-00 STD 08-111807-00 0.50mm →01/97 2.50  P PS 2.00  P 3.00  CR P					

									
BE/PL	4	48.000/48.020	51.587/51.606	20.250	1.776	0.015/0.079	EC	71-3988	71-3988/4 STD 0.25 0.50 [45]
01/98 →									
BE/PL	4	48.000/48.020	51.587/51.600	20.500	1.768	0.031/0.089	BS	4060CP	71-4311/4 STD 0.25 0.50
→12/97									

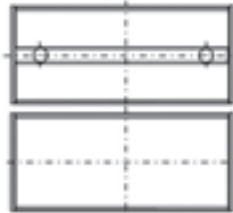


...Continued

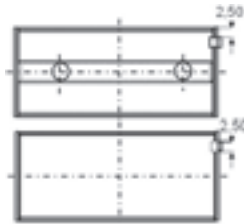
1278  **80.00 Diesel**

									
01/98 →									
									
→12/97									








72-3989





66741RA

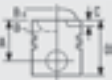















TW/A	2	60.500/60.750	79.750/80.000		2.350		AL-LF	66741AF	A215/2 STD 0.10
SE/PB	1	26.013/26.025	29.000/29.021	22.900			BS	66509Y	55-4394 SEMI

		
EC5060	JH5041	<p>NA5036  42.00x54.00x6.00mm, FPM</p> <p>NF850  85.00x105.00x8.00mm, FPM</p> <p>NA5037  85.00x105.00x11.00mm, ACM</p>
		
	JH5041	

1279  **80.00 Diesel** 

F8Q 785 4 Cyl. 20.5:1 1870cc 68-70kW (92-95)PS TD22363

			
<p>87-101500-00 STD</p> <p>87-101507-00 0.50mm</p> <p>A 47.06</p> <p>B- 17.80</p> <p>BØ 38.00</p> <p>C 0.75</p> <p>D 77.00</p> <p> 28x60</p> <p>AK RT TP</p>	<p>08-101500-00 STD</p> <p>08-101507-00 0.50mm</p> <p>2.50  P</p> <p>2.00  P</p> <p>3.00  CR P</p> <p>08-103500-00 STD</p> <p>08-103507-00 0.50mm</p> <p>2.50  CK P</p> <p>2.00  NT</p> <p>3.00  CR P</p> <p>08-105100-00 STD</p> <p>08-105107-00 0.50mm</p> <p>2.00  CK P</p> <p>2.00  P</p> <p>3.00  CR P</p>		

1279



80.00

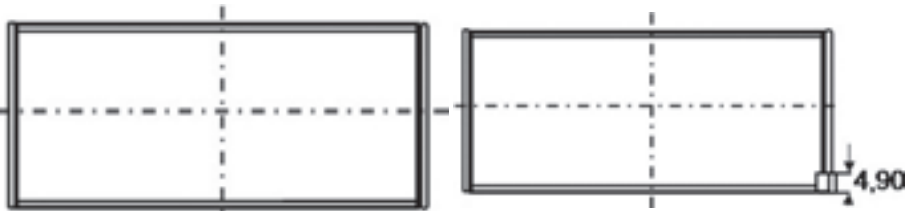
Diesel

	08-111800-00 STD 08-111807-00 0.50mm 2.50 P PS 2.00 P 3.00 CR P		

BE/PL	4	48.000/48.020	51.587/51.606	20.250	1.776	0.015/0.079	EC	71-3988	71-3988/4 STD 0.25 0.50	[45]	
01/98 →											
BE/PL	4	48.000/48.020	51.587/51.600	20.500	1.768	0.031/0.089	BS	4060CP	71-4311/4 STD 0.25 0.50		
→12/97											

71-3988

4060CP



MB/HL 1-5	5	54.785/54.805	58.731/58.744	18.500	1.947	0.032/0.090	EC	72-3989	H098/5 STD 0.25 0.50
--------------	---	---------------	---------------	--------	-------	-------------	----	---------	--------------------------------

01/98 →

MB/HL 1-5	5	54.785/54.795	58.731/58.744	18.500	1.945	0.046/0.094	AL-LF	66741RA	H1080/5 STD 0.25 0.50
--------------	---	---------------	---------------	--------	-------	-------------	-------	---------	---------------------------------

→12/97

72-3989

66741RA



TW/A	2	60.500/60.750	79.750/80.000		2.350		AL-LF	66741AF	A215/2 STD 0.10
SE/PB	1	26.013/26.025	29.000/29.021	22.900			BS	66509Y	55-4394 SEMI

--	--	--

EC5060

JH5041

NA5036 42.00x54.00x6.00mm, FPM
NF850 85.00x105.00x8.00mm, FPM



JH5041

1280


80.00
Diesel

F8Q 786

4 Cyl.

20.5:1

1870cc

66kW (89)PS
TD16352
537
MEGANE

01/96 → 08/03

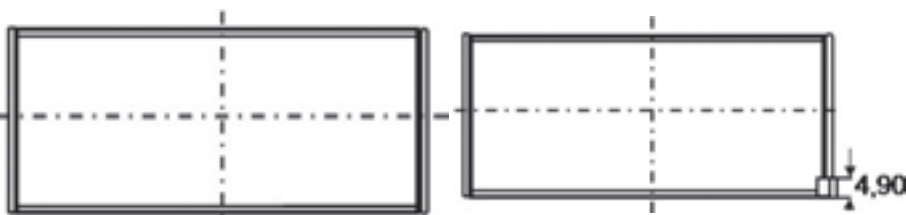
87-103500-00 87-103507-00	STD 0.50mm		08-103500-00 08-103507-00	STD 0.50mm	2.50 CK P 2.00 NT 3.00 CR P	2.00 CK P 2.00 P 3.00 CR P	2.50 P PS 2.00 P 3.00 CR P
A 41.71 B- 0.70 D 66.69 26x67 AK KK RT		08-105100-00 08-105107-00	STD 0.50mm				
		08-111800-00 08-111807-00 →01/97	STD 0.50mm				

BE/PL	4	48.000/48.020	51.587/51.606	20.250	1.776	0.015/0.079	EC	71-3988	71-3988/4 STD 0.25 0.50	[45]

01/98 →

BE/PL	4	48.000/48.020	51.587/51.600	20.500	1.768	0.031/0.089	BS	4060CP	71-4311/4 STD 0.25 0.50
-------	---	---------------	---------------	--------	-------	-------------	----	--------	-----------------------------------

→12/97

71-3988
4060CP


MB/HL 1-5	5	54.785/54.805	58.731/58.744	18.500	1.947	0.032/0.090	EC	72-3989	H098/5 STD 0.25 0.50
--------------	---	---------------	---------------	--------	-------	-------------	----	---------	--------------------------------

01/98 →

MB/HL 1-5	5	54.785/54.795	58.731/58.744	18.500	1.945	0.046/0.094	AL-LF	66741RA	H1080/5 STD 0.25 0.50
--------------	---	---------------	---------------	--------	-------	-------------	-------	---------	---------------------------------











→12/97




72-3989
66741RA


RENAULT/DACIA

...Continued




1280 80.00 Diesel

									
TW/A	2	60.500/60.750	79.750/80.000		2.350		AL-LF	66741AF	A215/2 STD 0.10
SE/PB	1	26.013/26.025	29.000/29.021	22.900			BS	66509Y	55-4394 SEMI

		
---	---	---

EC5060

JH5041











NF843  50.00x68.00x10.00mm, FPM/ACM
→04/97
NF850  85.00x105.00x8.00mm, FPM
NA5036  42.00x54.00x6.00mm, FPM
04/97→



JH5041

1281 80.00 Diesel

F8Q 788 4 Cyl. 20.5:1 1870cc 66kW (90)PS TD21256 508

									
BE/PL	4	48.000/48.020	51.587/51.606	20.250	1.776	0.015/0.079	EC	71-3988	71-3988/4 STD 0.25 0.50 [45]

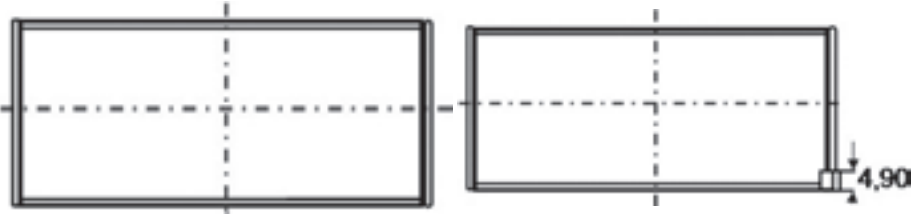
01/98→

BE/PL	4	48.000/48.020	51.587/51.600	20.500	1.768	0.031/0.089	BS	4060CP	71-4311/4 STD 0.25 0.50
-------	---	---------------	---------------	--------	-------	-------------	----	--------	-----------------------------------

→12/97

71-3988

4060CP



MB/HL
1-5

5

54.785/54.805

58.731/58.744

18.500

1.947

0.032/0.090

EC

72-3989

H098/5
STD 0.25 0.50

01/98→

MB/HL
1-5

5

54.785/54.795

58.731/58.744

18.500

1.945

0.046/0.094

AL-LF

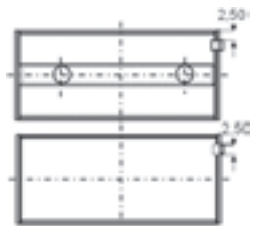
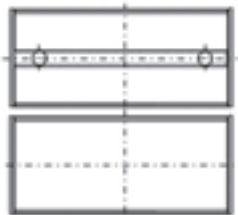
66741RA

H1080/5
STD 0.25 0.50

→12/97



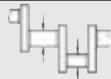







72-3989

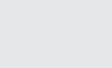




66741RA



...Continued

1281  **80.00 Diesel**

									
TW/A	2	60.500/60.750	79.750/80.000		2.350		AL-LF	66741AF	A215/2 STD 0.10
SE/PB	1	26.013/26.025	29.000/29.021	22.900			BS	66509Y	55-4394 SEMI











			
EC5060	JH5041		NF850  85.00x105.00x8.00mm, FPM



JH5041

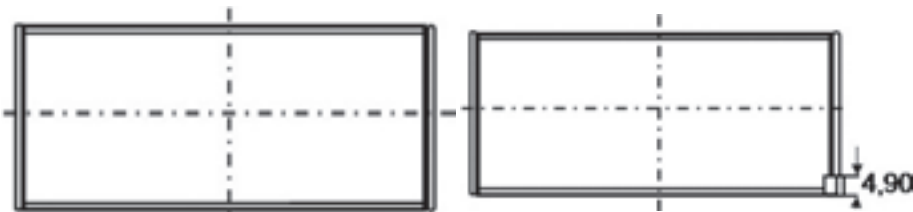
1282  **80.00 Diesel** 

F8Q 790	4 Cyl.	21.5:1	1870cc	47kW (64)PS	TD18290	538
MEGANE	03/97→08/03	SCÉNIC	09/99→03/01			

									
BE/PL	4	48.000/48.020	51.587/51.606	20.250	1.776	0.015/0.079	EC	71-3988	71-3988/4 STD 0.25 0.50 [45]
01/98→									
BE/PL	4	48.000/48.020	51.587/51.600	20.500	1.768	0.031/0.089	BS	4060CP	71-4311/4 STD 0.25 0.50
→12/97									

71-3988

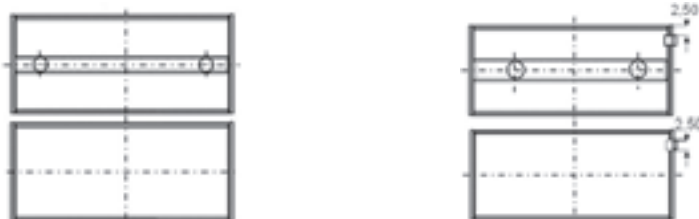
4060CP



MB/HL 1-5	5	54.785/54.805	58.731/58.744	18.500	1.947	0.032/0.090	EC	72-3989	H098/5 STD 0.25 0.50
01/98→									
MB/HL 1-5	5	54.785/54.795	58.731/58.744	18.500	1.945	0.046/0.094	AL-LF	66741RA	H1080/5 STD 0.25 0.50
→12/97									

72-3989

66741RA



TW/A	2	60.500/60.750	79.750/80.000		2.350		AL-LF	66741AF	A215/2 STD 0.10
SE/PB	1	24.005/24.012	26.000/26.021	24.750			BC	55-3875	55-3875 SEMI

1282



80.00

Diesel



EL960 [42][43]

JJ557
=PA349
22.00x16.00x2.000mm

NA5036 42.00x54.00x6.00mm, FPM
NF843 50.00x68.00x10.00mm, FPM/ACM
NF850 85.00x105.00x8.00mm, FPM



JJ557

[42] Supplementary Article/Supplementary Info:
with gaskets/seals

[42] Article complémentaire /
Info complémentaire: avec joints

[42] Artículo complementario/Información
complementaria: con juntas

[42] Articolo complementare/Info
integrativa: con guarnizioni

[43] Supplementary Article/Supplementary Info 2:
without oil pan gasket

[43] Article complémentaire / Info
complémentaire 2: sans joint de carter d'huile

[43] Artículo complementario/ Información
complementaria 2: sin junta de cárter de aceite

[43] Articolo complementare/Info integrativa 2:
Senza guarnizione coppa olio

1283



80.00

Diesel



F9Q 650

4 Cyl.

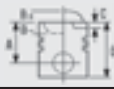
18.3:1

1870cc

88kW (120)PS

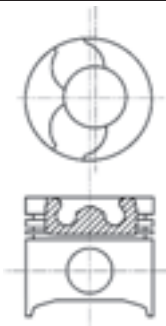
TD21223

539



87-422300-00
87-422307-00

STD
0.50mm



08-422300-00 STD
08-422307-00 0.50mm

2.50 MO P
2.00 P
3.00 CR P

A 47.04
B- 17.80
BØ 38.00
C 0.75
D 77.00
28x60

AK KK RT TP

BE/PL	4	48.000/48.020	51.587/51.606	20.250	1.776	0.015/0.079	EC	71-3988	71-3988/4 STD 0.25 0.50	[45]
MB/HL 1-5	5	54.785/54.805	58.731/58.744	18.500	1.947	0.032/0.090	EC	72-3989	H098/5 STD 0.25 0.50	
TW/A	2	60.500/60.750	79.750/80.000		2.350		AL-LF	66741AF	A215/2 STD 0.10	
SE/PB	1	27.996/28.000	30.240/30.260	24.650			BS-LF	55-4299	55-4299 SEMI	



EC5060
EC5063

JH5041

NA5036 42.00x54.00x6.00mm, FPM
NF850 85.00x105.00x8.00mm, FPM
NA5037 85.00x105.00x11.00mm, ACM



JH5041

1284	80.00	Diesel				
F9Q 664	4 Cyl.	18.3:1	1870cc	68kW (92)PS	TD19677	540
F9Q 670	4 Cyl.	18.3:1	1870cc	88kW (120)PS	TD21224	541
F9Q 674	4 Cyl.	18.3:1	1870cc	82kW (112)PS	TD21225	540
F9Q 750	4 Cyl.	19:1	1870cc	55-88kW (75-120)PS	TD17028	549
F9Q 758	4 Cyl.	17:1	1870cc	96kW (130)PS	TD19678	540
F9Q 759	4 Cyl.	17:1	1870cc	96kW (130)PS	TD19679	540
F9Q 800	4 Cyl.	18.3:1	1870cc	55-88kW (75-120)PS	TD16535	560

LAGUNA 03/01 → **MEGANE** 11/02 →

87-422300-00 87-422307-00	STD 0.50mm		08-422300-00 STD 08-422307-00 0.50mm
A 47.04 B- 17.80 BØ 38.00 C 0.75 D 77.00 28x60			2.50 MO P 2.00 P 3.00 CR P
AK KK RT TP			

BE/PL	4	48.000/48.020	51.587/51.606	20.250	1.776	0.015/0.079	EC	71-3988	71-3988/4 STD 0.25 0.50	[45]
MB/HL 1-5	5	54.785/54.805	58.731/58.744	18.500	1.947	0.032/0.090	EC	72-3989	H098/5 STD 0.25 0.50	
TW/A	2	60.500/60.750	79.750/80.000		2.350		AL-LF	66741AF	A215/2 STD 0.10	
SE/PB	1	27.996/28.000	30.240/30.260	24.650			BS-LF	55-4299	55-4299 SEMI	







EC5060 EC5063	JH5041 =KG5012 16.00x23.00x1.500mm		NA5036 42.00x54.00x6.00mm, FPM NF850 85.00x105.00x8.00mm, FPM NA5037 85.00x105.00x11.00mm, ACM
	JH5041		

1285	80.00	Diesel				
F9Q 680	4 Cyl.	18.3:1	1870cc	88kW (120)PS	TD18286	541

ESPACE 11/02 →

BE/PL	4	48.000/48.020	51.587/51.606	20.250	1.776	0.015/0.079	EC	71-3988	71-3988/4 STD 0.25 0.50	[45]
MB/HL 1-5	5	54.785/54.805	58.731/58.744	18.500	1.947	0.032/0.090	EC	72-3989	H098/5 STD 0.25 0.50	
TW/A	2	60.500/60.750	79.750/80.000		2.350		AL-LF	66741AF	A215/2 STD 0.10	
SE/PB	1	27.996/28.000	30.240/30.260	24.650			BS-LF	55-4299	55-4299 SEMI	


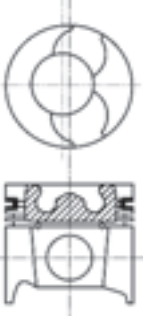










1285  **80.00 Diesel**



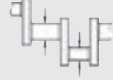








		
EC5060 EC5063	JH5041 =KG5012 16.00x23.00x1.500mm  JH5041	NA5036  42.00x54.00x6.00mm, FPM NA5037  85.00x105.00x11.00mm, ACM







1286  **80.00 Diesel** 



F9Q 710	4 Cyl.	18.3:1	1870cc	74kW (100)PS	TD16190	542
F9Q 732	4 Cyl.	18.3:1	1870cc	72kW (98)PS	TD16347	549
F9Q 734	4 Cyl.	18.3:1	1870cc	72kW (98)PS	TD11428	550
F9Q 760	4 Cyl.	19:1	1870cc	74kW (100)PS	TD16529	545

LAGUNA	10/97→03/01	MEGANE	03/97→08/03	SCÉNIC	09/99→08/03
TRAFIC II	03/01→				


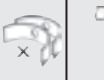
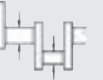







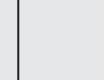

				
87-101500-00 87-101507-00 STD 0.50mm A 47.06 B- 17.80 BØ 38.00 C 0.75 D 77.00  28x60 AK RT TP	08-101500-00 STD 08-101507-00 0.50mm →01/00 2.50  P 2.00  P 3.00  CR P 08-113700-00 STD 01/00→ 2.50  CK P 2.00  P 3.00  CR P			

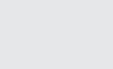






										
BE/PL	4	48.000/48.020	51.587/51.606	20.250	1.776	0.015/0.079	EC	71-3988	71-3988/4 STD 0.25 0.50	[45]
MB/HL 1-5	5	54.785/54.805	58.731/58.744	18.500	1.947	0.032/0.090	EC	72-3989	H098/5 STD 0.25 0.50	
TW/A	2	60.500/60.750	79.750/80.000		2.350		AL-LF	66741AF	A215/2 STD 0.10	
SE/PB	1	27.996/28.000	30.240/30.260	24.650			BS-LF	55-4299	55-4299 SEMI	



		
EC5060 EC5063	JH5041  JH5041	NA5036  42.00x54.00x6.00mm, FPM NA5037  85.00x105.00x11.00mm, ACM

1287	 80.00	Diesel				
F9Q 716	4 Cyl.	18.3:1	1870cc	74kW (100)PS	TD16191	543
F9Q 731	4 Cyl.	18.3:1	1870cc	72kW (98)PS	TD16353	548
F9Q 746	4 Cyl.	19:1	1870cc	75-79kW (102-107)PS	TD24971	508
F9Q 796	4 Cyl.	19:1	1870cc	75kW (102)PS	TD24972	
F9Q 803	4 Cyl.	17:1	1870cc	96kW (131)PS	TD20973	561

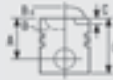
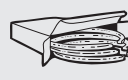
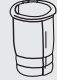


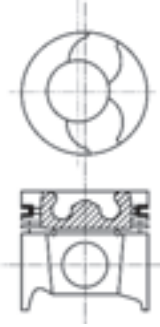



LAGUNA	10/97→03/01	MEGANE	03/97→	SCÉNIC	09/99→08/03
---------------	-------------	---------------	--------	---------------	-------------













											
BE/PL	4	48.000/48.020	51.587/51.606	20.250	1.776	0.015/0.079	EC	71-3988	71-3988/4 STD 0.25 0.50	[45]	
MB/HL 1-5	5	54.785/54.805	58.731/58.744	18.500	1.947	0.032/0.090	EC	72-3989	H098/5 STD 0.25 0.50		
TW/A	2	60.500/60.750	79.750/80.000		2.350		AL-LF	66741AF	A215/2 STD 0.10		
SE/PB	1	27.996/28.000	30.240/30.260	24.650			BS-LF	55-4299	55-4299 SEMI		

			
EC5060 EC5063	JH5041	NA5036  42.00x54.00x6.00mm, FPM NA5037  85.00x105.00x11.00mm, ACM	
			
	JH5041		











1288	 80.00	Diesel				
F9Q 717	4 Cyl.	18.3:1	1870cc	72-75kW (98-102)PS	TD21136	544
F9Q 733	4 Cyl.	19:1	1870cc	79-88kW (107-120)PS	TD16363	549
F9Q 736	4 Cyl.	18.3:1	1870cc	72kW (98)PS	TD16354	551
F9Q 738	4 Cyl.	19:1	1870cc	74-79kW (101-107)PS	TD21137	552
F9Q 774	4 Cyl.	18.3:1	1870cc	60kW (82)PS	TD19370	545

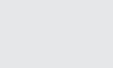




LAGUNA	10/97→03/01	MASTER	11/01→	MEGANE	03/97→08/03
SCÉNIC	09/99→08/03				

			
87-101500-00 87-101507-00	STD 0.50mm	08-101500-00 08-101507-00	STD 0.50mm
A 47.06 B- 17.80 BØ 38.00 C 0.75 D 77.00  28x60		2.50  P 2.00  P 3.00  CR P	
AK RT TP			

											
BE/PL	4	48.000/48.020	51.587/51.606	20.250	1.776	0.015/0.079	EC	71-3988	71-3988/4 STD 0.25 0.50	[45]	
MB/HL 1-5	5	54.785/54.805	58.731/58.744	18.500	1.947	0.032/0.090	EC	72-3989	H098/5 STD 0.25 0.50		

1288  **80.00 Diesel**

									
TW/A	2	60.500/60.750	79.750/80.000		2.350		AL-LF	66741AF	A215/2 STD 0.10
SE/PB	1	27.996/28.000	30.240/30.260	24.650			BS-LF	55-4299	55-4299 SEMI

		
EC5060 EC5063	JH5041	NA5036  42.00x54.00x6.00mm, FPM NA5037  85.00x105.00x11.00mm, ACM


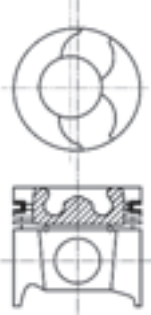


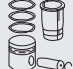












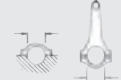






JH5041

1289  **80.00 Diesel** 

F9Q 718	4 Cyl.	18.3:1	1870cc	72kW (98)PS	TD16192	545
F9Q 740	4 Cyl.	18.3:1	1870cc	72kW (98)PS	TD16341	553
F9Q 780	4 Cyl.	18.3:1	1870cc	72kW (98)PS	TD16339	554
F9Q 782	4 Cyl.	18.3:1	1870cc	59kW (80)PS	TD17498	559








CLIO	12/99→05/05	KANGOO	02/00→	LAGUNA	09/99→
SCÉNIC	11/00→08/03				



				
87-101500-00 STD 87-101507-00 0.50mm		08-101500-00 STD 08-101507-00 0.50mm →01/00		
A 47.06 B- 17.80 BØ 38.00 C 0.75 D 77.00  28x60 AK RT TP		2.50  P 2.00  P 3.00  CR P		
		08-113700-00 STD 01/00→		
		2.50  CK P 2.00  P 3.00  CR P		

									
BE/PL	4	48.000/48.020	51.587/51.606	20.250	1.776	0.015/0.079	EC	71-3988	71-3988/4 STD 0.25 0.50 [45]
MB/HL 1-5	5	54.785/54.805	58.731/58.744	18.500	1.947	0.032/0.090	EC	72-3989	H098/5 STD 0.25 0.50
TW/A	2	60.500/60.750	79.750/80.000		2.350		AL-LF	66741AF	A215/2 STD 0.10
SE/PB	1	27.996/28.000	30.240/30.260	24.650			BS-LF	55-4299	55-4299 SEMI











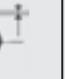



...Continued








1289  **80.00 Diesel**

		
EC5060 EC5063	JH5041 ≡KG5012 16.00x23.00x1.500mm  JH5041	NA5036  42.00x54.00x6.00mm, FPM NF850  85.00x105.00x8.00mm, FPM NA5037  85.00x105.00x11.00mm, ACM

1290  **80.00 Diesel** 

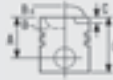
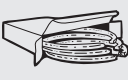


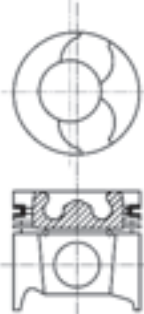






F9Q 722	4 Cyl.	18.3:1	1870cc	72kW (98)PS	TD16305	546
ESPACE		02/99 → 10/02				

													
BE/PL	4	48.000/48.020	51.587/51.606	20.250	1.776	0.015/0.079	EC	71-3988	71-3988/4 STD 0.25 0.50	[45]			
MB/HL 1-5	5	54.785/54.805	58.731/58.744	18.500	1.947	0.032/0.090	EC	72-3989	H098/5 STD 0.25 0.50				
TW/A	2	60.500/60.750	79.750/80.000		2.350		AL-LF	66741AF	A215/2 STD 0.10				
SE/PB	1	27.996/28.000	30.240/30.260	24.650			BS-LF	55-4299	55-4299 SEMI				

		
EC5060 EC5063	JH5041 ≡KG5012 16.00x23.00x1.500mm  JH5041	NA5036  42.00x54.00x6.00mm, FPM NF850  85.00x105.00x8.00mm, FPM NA5037  85.00x105.00x11.00mm, ACM

1291  **80.00 Diesel** 

F9Q 730	4 Cyl.	18.3:1	1870cc	72kW (98)PS	TD11427	547
MEGANE		03/97 → 02/01				

			
87-101500-00 STD 87-101507-00 0.50mm A 47.06 B- 17.80 BØ 38.00 C 0.75 D 77.00  28x60 AK RT TP	08-101500-00 STD 08-101507-00 0.50mm →01/00 2.50  P 2.00  P 3.00  CR P 08-113700-00 STD 01/00→ 2.50  CK P 2.00  P 3.00  CR P		

1291


80.00
Diesel

BE/PL	4	48.000/48.020	51.587/51.606	20.250	1.776	0.015/0.079	EC	71-3988	71-3988/4 STD 0.25 0.50 [45]
MB/HL 1-5	5	54.785/54.805	58.731/58.744	18.500	1.947	0.032/0.090	EC	72-3989	H098/5 STD 0.25 0.50
TW/A	2	60.500/60.750	79.750/80.000		2.350		AL-LF	66741AF	A215/2 STD 0.10
SE/PB	1	27.996/28.000	30.240/30.260	24.650			BS-LF	55-4299	55-4299 SEMI

EC5060	EC5063	JH5041	NA5036 42.00x54.00x6.00mm, FPM	NF850 85.00x105.00x8.00mm, FPM	NA5037 85.00x105.00x11.00mm, ACM


JH5041

1292


80.00
Diesel












F9Q 744	4 Cyl.	19:1	1870cc	59kW (80)PS	TD16361	554
F9Q 770	4 Cyl.	18.3:1	1870cc	59kW (80)PS	TD15688	558



MASTER	09/00→	MEGANE	02/01→08/03	SCÉNIC	02/01→08/03
---------------	--------	---------------	-------------	---------------	-------------



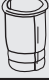


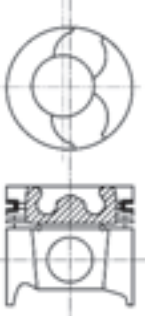



87-101500-00	STD	08-101500-00	STD	08-101507-00	0.50mm		
87-101507-00	0.50mm						
A 47.06		2.50		P			
B- 17.80		2.00		P			
BØ 38.00		3.00		CR P			
C 0.75							
D 77.00							
28x60							
AK RT TP							



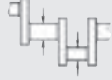







BE/PL	4	48.000/48.020	51.587/51.606	20.250	1.776	0.015/0.079	EC	71-3988	71-3988/4 STD 0.25 0.50 [45]
MB/HL 1-5	5	54.785/54.805	58.731/58.744	18.500	1.947	0.032/0.090	EC	72-3989	H098/5 STD 0.25 0.50
TW/A	2	60.500/60.750	79.750/80.000		2.350		AL-LF	66741AF	A215/2 STD 0.10
SE/PB	1	27.996/28.000	30.240/30.260	24.650			BS-LF	55-4299	55-4299 SEMI






...Continued

1292	 80.00	Diesel
 EC5060  EC5063		
	JH5041 =KG5012 16.00x23.00x1.500mm  JH5041	NA5036  42.00x54.00x6.00mm, FPM NF843  50.00x68.00x10.00mm, FPM/ACM NF850  85.00x105.00x8.00mm, FPM NA5037  85.00x105.00x11.00mm, ACM

1293	 80.00	Diesel	
F9Q 748	4 Cyl.	19:1	1870cc
SCÉNIC	12/02 → 08/03	75-79kW (102-107)PS	TD21138 555

			
87-101500-00 STD 87-101507-00 0.50mm A 47.06 B- 17.80 BØ 38.00 C 0.75 D 77.00  28x60 AK RT TP		08-101500-00 STD 08-101507-00 0.50mm 2.50  P 2.00  P 3.00  CR P	

									
BE/PL	4	48.000/48.020	51.587/51.606	20.250	1.776	0.015/0.079	EC	71-3988	71-3988/4 STD 0.25 0.50 [45]
MB/HL 1-5	5	54.785/54.805	58.731/58.744	18.500	1.947	0.032/0.090	EC	72-3989	H098/5 STD 0.25 0.50
TW/A	2	60.500/60.750	79.750/80.000		2.350		AL-LF	66741AF	A215/2 STD 0.10
SE/PB	1	27.996/28.000	30.240/30.260	24.650			BS-LF	55-4299	55-4299 SEMI

		
 EC5063	JH5041  JH5041	

1294


80.00
Diesel

F9Q 751 4 Cyl. 19:1 1870cc **88kW (120)PS** **TD21226** **508**

BE/PL	4	48.000/48.020	51.587/51.606	20.250	1.776	0.015/0.079	EC	71-3988	71-3988/4 STD 0.25 0.50	[45]
MB/HL 1-5	5	54.785/54.805	58.731/58.744	18.500	1.947	0.032/0.090	EC	72-3989	H098/5 STD 0.25 0.50	
TW/A	2	60.500/60.750	79.750/80.000		2.350		AL-LF	66741AF	A215/2 STD 0.10	
SE/PB	1	27.996/28.000	30.240/30.260	24.650			BS-LF	55-4299	55-4299 SEMI	

EC5063		JH5041		


JH5041

1295


80.00
Diesel










F9Q 752	4 Cyl.	19:1	1870cc	74kW (101)PS	TD21139	556
F9Q 754	4 Cyl.	19:1	1870cc	74-79kW (101-107)PS	TD20841	545
F9Q 762	4 Cyl.	19:1	1870cc	60kW (81)PS	TD18691	545
F9Q 790	4 Cyl.	19:1	1870cc	59kW (80)PS	TD16358	559



KANGOO 10/01 → **LAGUNA** 03/01 → **TRAFIC II** 03/01 →

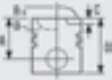



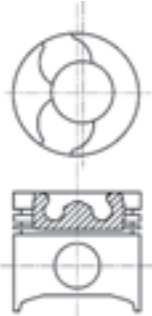




87-101500-00	STD		08-101500-00	STD		08-101507-00	0.50mm		
87-101507-00	0.50mm								
A	47.06		2.50		P				
B-	17.80		2.00		P				
BØ	38.00		3.00		CR P				
C	0.75								
D	77.00								
	28x60								
AK RT TP									











BE/PL	4	48.000/48.020	51.587/51.606	20.250	1.776	0.015/0.079	EC	71-3988	71-3988/4 STD 0.25 0.50	[45]
MB/HL 1-5	5	54.785/54.805	58.731/58.744	18.500	1.947	0.032/0.090	EC	72-3989	H098/5 STD 0.25 0.50	
TW/A	2	60.500/60.750	79.750/80.000		2.350		AL-LF	66741AF	A215/2 STD 0.10	
SE/PB	1	27.996/28.000	30.240/30.260	24.650			BS-LF	55-4299	55-4299 SEMI	




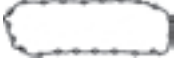


...Continued

1295	 80.00	Diesel
		
EC5060 EC5063	JH5041 =KG5012 16.00x23.00x1.500mm  JH5041	NA5036  42.00x54.00x6.00mm, FPM NF850  85.00x105.00x8.00mm, FPM NA5037  85.00x105.00x11.00mm, ACM

1296	 80.00	Diesel				
F9Q 756	4 Cyl.	19:1	1870cc	88kW (120)PS	TD17064	557
F9Q 808	4 Cyl.	18.3:1	1870cc	66-75kW (90-102)PS	TD21147	560
MEGANE 11/02 →						

			
87-422300-00 87-422307-00 STD 0.50mm  A 47.04 B- 17.80 BØ 38.00 C 0.75 D 77.00  28x60 AK KK RT TP	08-422300-00 08-422307-00 STD 0.50mm 2.50  MO P 2.00  P 3.00  CR P		

									
BE/PL	4	48.000/48.020	51.587/51.606	20.250	1.776	0.015/0.079	EC	71-3988	71-3988/4 STD 0.25 0.50 [45]
MB/HL 1-5	5	54.785/54.805	58.731/58.744	18.500	1.947	0.032/0.090	EC	72-3989	H098/5 STD 0.25 0.50
TW/A	2	60.500/60.750	79.750/80.000		2.350		AL-LF	66741AF	A215/2 STD 0.10
SE/PB	1	27.996/28.000	30.240/30.260	24.650			BS-LF	55-4299	55-4299 SEMI

		
EC5060 EC5063	JH5041  JH5041	NA5036  42.00x54.00x6.00mm, FPM NA5037  85.00x105.00x11.00mm, ACM

RENAULT/DACIA

1297

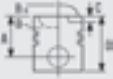




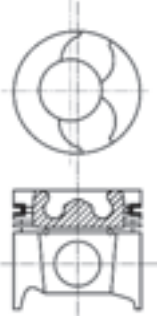



 **80.00**











Diesel










F9Q 772 4 Cyl. 18.3:1 1870cc **60kW (81)PS** **TD16304** **545**

MASTER 11/01 →

			
87-101500-00 STD 87-101507-00 0.50mm A 47.06 B- 17.80 BØ 38.00 C 0.75 D 77.00  28x60 AK RT TP	 08-101500-00 STD 08-101507-00 0.50mm 2.50  P 2.00  P 3.00  CR P		

									
BE/PL	4	48.000/48.020	51.587/51.606	20.250	1.776	0.015/0.079	EC	71-3988	71-3988/4 STD 0.25 0.50 [45]
MB/HL 1-5	5	54.785/54.805	58.731/58.744	18.500	1.947	0.032/0.090	EC	72-3989	H098/5 STD 0.25 0.50
TW/A	2	60.500/60.750	79.750/80.000		2.350		AL-LF	66741AF	A215/2 STD 0.10
SE/PB	1	27.996/28.000	30.240/30.260	24.650			BS-LF	55-4299	55-4299 SEMI

		
	JH5041 KG5012 16.00x23.00x1.500mm  JH5041	NA5036  42.00x54.00x6.00mm, FPM NF850  85.00x105.00x8.00mm, FPM NA5037  85.00x105.00x11.00mm, ACM

1298











 **80.00**







Diesel



F9Q 804 4 Cyl. 18.3:1 1870cc **81kW (110)PS** **TD20391** **562**

MEGANE 11/02 → **SCÉNIC** 06/03 →

									
BE/PL	4	48.000/48.020	51.587/51.606	20.250	1.776	0.015/0.079	EC	71-3988	71-3988/4 STD 0.25 0.50 [45]
MB/HL 1-5	5	54.785/54.805	58.731/58.744	18.500	1.947	0.032/0.090	EC	72-3989	H098/5 STD 0.25 0.50
TW/A	2	60.500/60.750	79.750/80.000		2.350		AL-LF	66741AF	A215/2 STD 0.10
SE/PB	1	27.996/28.000	30.240/30.260	24.650			BS-LF	55-4299	55-4299 SEMI

		
 EC5061		NA5036  42.00x54.00x6.00mm, FPM NA5037  85.00x105.00x11.00mm, ACM

1299	80.00	Diesel				
F9Q 812	4 Cyl.	18.3:1	1870cc	88kW (120)PS	TD20392	563
F9Q 816	4 Cyl.	18.3:1	1870cc	81-96kW (110-131)PS	TD22184	564
F9Q 818	4 Cyl.	18.3:1	1870cc	81-96kW (110-131)PS	TD22185	564

GRAND SCÉNIC	04/04→	MEGANE	11/02→	SCÉNIC	06/03→
---------------------	--------	---------------	--------	---------------	--------

87-422300-00 87-422307-00	STD 0.50mm		
A 47.04 B- 17.80 BØ 38.00 C 0.75 D 77.00 28x60		08-422300-00 STD 08-422307-00 0.50mm	
AK KK RT TP		2.50 MO P 2.00 P 3.00 CR P	

BE/PL	4	48.000/48.020	51.587/51.606	20.250	1.776	0.015/0.079	EC	71-3988	71-3988/4 STD 0.25 0.50	[45]
MB/HL 1-5	5	54.785/54.805	58.731/58.744	18.500	1.947	0.032/0.090	EC	72-3989	H098/5 STD 0.25 0.50	
TW/A	2	60.500/60.750	79.750/80.000		2.350		AL-LF	66741AF	A215/2 STD 0.10	
SE/PB	1	27.996/28.000	30.240/30.260	24.650			BS-LF	55-4299	55-4299 SEMI	

EC5060 EC5061		JH5041 → KG5012 16.00x23.00x1.500mm	NA5036 42.00x54.00x6.00mm, FPM	NF850 85.00x105.00x8.00mm, FPM	NA5037 85.00x105.00x11.00mm, ACM
		JH5041			

1300	80.00	Diesel				
F9Q 820	4 Cyl.	18.3:1	1870cc	88kW (120)PS	TD18287	545
F9Q 826	4 Cyl.	18.3:1	1870cc	88kW (120)PS	TD18288	541

ESPACE	11/02→
---------------	--------

87-422300-00 87-422307-00	STD 0.50mm		
A 47.04 B- 17.80 BØ 38.00 C 0.75 D 77.00 28x60		08-422300-00 STD 08-422307-00 0.50mm	
AK KK RT TP		2.50 MO P 2.00 P 3.00 CR P	

1300


80.00
Diesel

BE/PL	4	48.000/48.020	51.587/51.606	20.250	1.776	0.015/0.079	EC	71-3988	71-3988/4 STD 0.25 0.50 [45]
MB/HL 1-5	5	54.785/54.805	58.731/58.744	18.500	1.947	0.032/0.090	EC	72-3989	H098/5 STD 0.25 0.50
TW/A	2	60.500/60.750	79.750/80.000		2.350		AL-LF	66741AF	A215/2 STD 0.10
SE/PB	1	27.996/28.000	30.240/30.260	24.650			BS-LF	55-4299	55-4299 SEMI

EC5060	EC5063	JH5041	KG5012	NA5036 42.00x54.00x6.00mm, FPM
		16.00x23.00x1.500mm		NA5037 85.00x105.00x11.00mm, ACM
		JH5041		

1301




80.00
Diesel




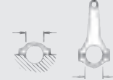







F9Q 870	4 Cyl.	16.6:1	1870cc	96kW (131)PS	TD23617	565
F9Q 872	4 Cyl.	16.6:1	1870cc	96kW (131)PS	TD23555	565




GRAND SCÉNIC	02/09→	MEGANE	11/08→	MEGANE CC	06/10→
SCÉNIC	02/09→				

BE/PL	4	48.000/48.020	51.587/51.606	20.250	1.776	0.015/0.079	EC	71-3988	71-3988/4 STD 0.25 0.50 [45]
MB/HL 1-5	5	54.785/54.805	58.731/58.744	18.500	1.947	0.032/0.090	EC	72-3989	H098/5 STD 0.25 0.50
TW/A	2	60.500/60.750	79.750/80.000		2.350		AL-LF	66741AF	A215/2 STD 0.10
SE/PB	1	27.996/28.000	30.240/30.260	24.650			BS-LF	55-4299	55-4299 SEMI

				NA5036 42.00x54.00x6.00mm, FPM




1302	 80.00	Diesel				
F9Q E 804 Euro 4	4 Cyl.	17:1	1870cc	96-81kW (131-110)PS	TD19683	564
F9Q EE 804 Euro 4	4 Cyl.	17:1	1870cc	96-81kW (131-110)PS	TD19696	566
F9Q J 803	4 Cyl.	17:1	1870cc	96-85kW (131-116)PS	TD19694	564
GRAND SCÉNIC	05/05→	SCÉNIC	05/05→			

									
BE/PL	4	48.000/48.020	51.587/51.606	20.250	1.776	0.015/0.079	EC	71-3988	71-3988/4 STD 0.25 0.50 [45]
MB/HL 1-5	5	54.785/54.805	58.731/58.744	18.500	1.947	0.032/0.090	EC	72-3989	H098/5 STD 0.25 0.50
TW/A	2	60.500/60.750	79.750/80.000		2.350		AL-LF	66741AF	A215/2 STD 0.10
SE/PB	1	27.996/28.000	30.240/30.260	24.650			BS-LF	55-4299	55-4299 SEMI

		
---	---	---



EC5060
EC5061



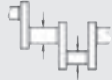
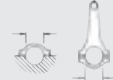






JH5041
=KG5012
16.00x23.00x1.500mm




NA5036  42.00x54.00x6.00mm, FPM
NAF850  85.00x105.00x8.00mm, FPM
NA5037  85.00x105.00x11.00mm, ACM





JH5041

1303	 80.00	Diesel				
F9Q J 804	4 Cyl.	17:1	1870cc	85-96kW (116-131)PS	TD21106	
F9Q N 870	4 Cyl.	16.6:1	1870cc	96kW (131)PS	TD23568	
F9Q P 872	4 Cyl.	16.6:1	1870cc	96kW (131)PS	TD23554	

									
BE/PL	4	48.000/48.020	51.587/51.606	20.250	1.776	0.015/0.079	EC	71-3988	71-3988/4 STD 0.25 0.50 [45]
MB/HL 1-5	5	54.785/54.805	58.731/58.744	18.500	1.947	0.032/0.090	EC	72-3989	H098/5 STD 0.25 0.50
TW/A	2	60.500/60.750	79.750/80.000		2.350		AL-LF	66741AF	A215/2 STD 0.10
SE/PB	1	27.996/28.000	30.240/30.260	24.650			BS-LF	55-4299	55-4299 SEMI

		
---	---	---

JH5041

NA5036  42.00x54.00x6.00mm, FPM
NA5037  85.00x105.00x11.00mm, ACM



JH5041

1304



81.00

Petrol





FIN 720	4 Cyl.	9.5:1	1721cc	50kW (68)PS	TD3216	567
FIN 722	4 Cyl.	9.5:1	1721cc	50kW (68)PS	TD3217	568
FIN 724	4 Cyl.	9.5:1	1721cc	50kW (68)PS	TD3218	568



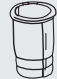




TRAFIC 06/86→08/94

87-335100-10	STD		08-335100-00	STD			
87-335107-10	0.50mm		08-335105-00	0.25mm			
A	44.05		08-335107-00	0.50mm			
B-	13.87		1.75	MO P			
D	70.00		2.00	P			
	21x65		3.00	CR [26]			
[26] Steel	[26] Acier	[26] Acciaio	[26] Acero				












BE/PL	4	48.000/48.020	51.587/51.600	20.500	1.768	0.031/0.089	BS	4060CP	71-4311/4 STD 0.25 0.50
MB/HL 1-5	5	54.785/54.795	58.731/58.744	18.500	1.945	0.046/0.094	AL-LF	66741RA	H1080/5 STD 0.25 0.50
TW/A	2	60.500/60.750	79.750/80.000		2.350		AL-LF	66741AF	A215/2 STD 0.10




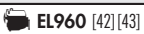



EL960 [42] [43]	PA349 22.00x16.00x2.000mm	NF843 50.00x68.00x10.00mm, FPM/ACM	NF850 85.00x105.00x8.00mm, FPM
[42] Supplementary Article/Supplementary Info: with gaskets/seals	[42] Article complémentaire / Info complémentaire: avec joints	[42] Artículo complementario/Información complementaria: con juntas	[42] Articolo complementare/Info integrativa: con guarnizioni
[43] Supplementary Article/Supplementary Info 2: without oil pan gasket	[43] Article complémentaire / Info complémentaire 2: sans joint de carter d'huile	[43] Artículo complementario/ Información complementaria 2: sin junta de cárter de aceite	[43] Articolo complementare/Info integrativa 2: Senza guarnizione coppa olio

1305		 81.00	Petrol			
F2N 700	4 Cyl.	10:1	1721cc	59kW (80)PS	TD3219	569
F2N 704	4 Cyl.	10:1	1721cc	59kW (80)PS	TD3220	569
F2N 711	4 Cyl.	10:1	1721cc	65kW (88)PS	TD3223	572
F2N 716	4 Cyl.	9.2:1	1721cc	56kW (76)PS	TD3226	573
F2N 722	4 Cyl.	9.5:1	1721cc	66-69kW (90-94)PS	TD3229	573
F2N 724	4 Cyl.	9.5:1	1721cc	55-56kW (75-76)PS	TD3230	572
F2N 732	4 Cyl.	9.5:1	1721cc	64kW (87)PS	TD3235	570
F2N 753	4 Cyl.	10:1	1721cc	60-66kW (82-90)PS	TD22362	575
F2N 754	4 Cyl.	9.5:1	1721cc	65kW (88)PS	TD3240	572
F2N 758	4 Cyl.	9.5:1	1721cc	56-66kW (76-90)PS	TD3241	573
F2N 783	4 Cyl.	9.5:1	1721cc	65kW (88)PS	TD3243	573
F2N 786	4 Cyl.	9.2:1	1721cc	59kW (80)PS	TD3244	573
F2N 796	4 Cyl.	10:1	1721cc	59kW (80)PS	TD3245	575
F2N 797	4 Cyl.	10:1	1721cc	59kW (80)PS	TD3246	575
F2N 798	4 Cyl.	9.5:1	1721cc	65kW (88)PS	TD3247	570
9	09/84→12/88	11	10/83→12/88	19	07/91→04/92	
21	07/89→05/93					

			
	08-335100-00 STD 08-335105-00 0.25mm 08-335107-00 0.50mm 1.75  MO P 2.00  P 3.00  CR [26]		

[26] Steel [26] Acier [26] Acciaio [26] Acero

										
BE/PL	4	48.000/48.020	51.587/51.600	20.500	1.768	0.031/0.089	BS	4060CP	71-4311/4 STD 0.25 0.50	
MB/HL 1-5	5	54.785/54.795	58.731/58.744	18.500	1.945	0.046/0.094	AL-LF	66741RA	H1080/5 STD 0.25 0.50	
TW/A	2	60.500/60.750	79.750/80.000		2.350		AL-LF	66741AF	A215/2 STD 0.10	

		
 EL960 [42][43]	JJ557 	NF843  50.00x68.00x10.00mm, FPM/ACM NF850  85.00x105.00x8.00mm, FPM
	JJ557	

[42] Supplementary Article/Supplementary Info:
with gaskets/seals

[43] Supplementary Article/Supplementary Info 2:
without oil pan gasket

[42] Article complémentaire /
Info complémentaire: avec joints

[43] Article complémentaire / Info
complémentaire 2: sans joint de carter d'huile

[42] Artículo complementario/Información
complementaria: con juntas

[43] Artículo complementario/ Información
complementaria 2: sin junta de cárter de aceite

[42] Articolo complementare/Info
integrativa: con guarnizioni

[43] Articolo complementare/Info integrativa 2:
Senza guarnizione coppa olio

1306


81.00
Petrol


F2N 708	4 Cyl.	10:1	1721cc	65kW (88)PS	TD3221	570
F2N 710	4 Cyl.	10:1	1721cc	65kW (88)PS	TD3222	571
F2N 712	4 Cyl.	9.2:1	1721cc	55kW (75)PS	TD3224	571
F2N 720	4 Cyl.	9.5:1	1721cc	65-68kW (88-92)PS	TD4862	572
F2N 721	4 Cyl.	9.5:1	1721cc	68kW (92)PS	TD3228	572
F2N 726	4 Cyl.	9.5:1	1721cc	68kW (92)PS	TD3231	574
F2N 727	4 Cyl.	9.5:1	1721cc	68kW (92)PS	TD3232	573
F2N 728	4 Cyl.	9.2:1	1721cc	55kW (75)PS	TD3233	573
F2N 740	4 Cyl.	10:1	1721cc	64-66kW (87-90)PS	TD3236	570
F2N 742	4 Cyl.	10:1	1721cc	64-66kW (87-90)PS	TD4861	570
F2N 750	4 Cyl.	9.2:1	1721cc	54kW (73)PS	TD3238	571
F2N 752	4 Cyl.	10:1	1721cc	64kW (87)PS	TD3239	571
F2N 770	4 Cyl.	9.5:1	1721cc	66-68kW (90-92)PS	TD3242	572

9	10/86→12/88	11	10/86→12/88	19	09/88→08/95
21	03/86→04/95	CLIO	01/91→12/93	SUPER 5	06/87→03/95

87-335100-10 87-335107-10 A 44.05 B- 13.87 D 70.00 21x65	STD 0.50mm 	08-335100-00 08-335105-00 08-335107-00 1.75 MO P 2.00 P 3.00 CR [26]	STD 0.25mm 0.50mm				
[26] Steel	[26] Acier	[26] Acciaio	[26] Acero				

BE/PL	4	48.000/48.020	51.587/51.600	20.500	1.768	0.031/0.089	BS	4060CP	71-4311/4 STD 0.25 0.50
MB/HL 1-5	5	54.785/54.795	58.731/58.744	18.500	1.945	0.046/0.094	AL-LF	66741RA	H1080/5 STD 0.25 0.50
TW/A	2	60.500/60.750	79.750/80.000		2.350		AL-LF	66741AF	A215/2 STD 0.10

EL960 [42][43]	JJ557 PA349 22.00x16.00x2.000mm 	NF843 50.00x68.00x10.00mm, FPM/ACM NF850 85.00x105.00x8.00mm, FPM
	JJ557	

[42] Supplementary Article/Supplementary Info:
with gaskets/seals

[43] Supplementary Article/Supplementary Info 2:
without oil pan gasket

[42] Article complémentaire /
Info complémentaire: avec joints

[43] Article complémentaire / Info
complémentaire 2: sans joint de carter d'huile

[42] Artículo complementario/Información
complementaria: con juntas

[43] Artículo complementario/ Información
complementaria 2: sin junta de cárter de aceite

[42] Articolo complementare/Info
integrativa: con guarnizioni

[43] Articolo complementare/Info integrativa 2:
Senza guarnizione coppa olio

1307	81.00	Petrol				
F2N 730	4 Cyl.	9.2:1	1721cc	54-55kW (73-75)PS	TD3234	570
9	10/86→12/88	11	10/86→12/88			

	08-335100-00 STD 08-335105-00 0.25mm 08-335107-00 0.50mm 1.75 MO P 2.00 P 3.00 CR [26]		

[26] Steel [26] Acier [26] Acciaio [26] Acero

BE/PL	4	48.000/48.020	51.587/51.600	20.500	1.768	0.031/0.089	BS	4060CP	71-4311/4 STD 0.25 0.50
MB/HL 1-5	5	54.785/54.795	58.731/58.744	18.500	1.945	0.046/0.094	AL-LF	66741RA	H1080/5 STD 0.25 0.50
TW/A	2	60.500/60.750	79.750/80.000		2.350		AL-LF	66741AF	A215/2 STD 0.10

EL960 [42] [43]	JJ557 = PA349 22.00x16.00x2.00mm 	NF843 50.00x68.00x10.00mm, FPM/ACM NF850 85.00x105.00x8.00mm, FPM	

[42] Supplementary Article/Supplementary Info:
with gaskets/seals

[42] Article complémentaire /
Info complémentaire: avec joints

[43] Article complémentaire / Info
complémentaire 2: sans joint de carter d'huile

[42] Artículo complementario/Información
complementaria: con juntas

[43] Artículo complementario/ Información
complementaria 2: sin junta de cárter de aceite

[42] Articolo complementare/Info
integrativa: con guarnizioni

[43] Articolo complementare/Info integrativa 2:
Senza guarnizione coppa olio

1308	81.00	Petrol				
F2R 702	4 Cyl.		1721cc	66kW (89)PS	TD3248	576

BE/PL	4	48.000/48.020	51.587/51.600	20.500	1.768	0.031/0.089	BS	4060CP	71-4311/4 STD 0.25 0.50
MB/HL 1-5	5	54.785/54.795	58.731/58.744	18.500	1.945	0.046/0.094	AL-LF	66741RA	H1080/5 STD 0.25 0.50
TW/A	2	60.500/60.750	79.750/80.000		2.350		AL-LF	66741AF	A215/2 STD 0.10

1309


81.00
Petrol


F3N 702	4 Cyl.	10:1	1721cc	68-69kW (92-94)PS	TD3249	570
F3N 716	4 Cyl.	10:1	1721cc	54-55kW (73-75)PS	TD3251	570
F3N 717	4 Cyl.	10:1	1721cc	54-55kW (73-75)PS	TD3252	570
F3N 718	4 Cyl.	10:1	1721cc	54-55kW (73-75)PS	TD4863	570
F3N 722	4 Cyl.	10:1	1721cc	66-70kW (90-95)PS	TD3254	570
F3N 723	4 Cyl.	10:1	1721cc	66-70kW (90-95)PS	TD3255	570
F3N 726	4 Cyl.	10:1	1721cc	54kW (73)PS	TD3256	571
F3N 740	4 Cyl.	10:1	1721cc	54-55kW (73-75)PS	TD3257	572
F3N 741	4 Cyl.	10:1	1721cc	54-55kW (73-75)PS	TD3258	572
F3N 742	4 Cyl.	10:1	1721cc	66-70kW (90-95)PS	TD3259	572
F3N 743	4 Cyl.	10:1	1721cc	66kW (89)PS	TD3260	572

9	10/86→12/88	11	10/84→12/88	19	07/88→12/95
21	03/86→06/94	SUPER 5	10/86→03/95		

87-335100-10 87-335107-10	STD 0.50mm		08-335100-00 STD 08-335105-00 0.25mm 08-335107-00 0.50mm
A 44.05 B- 13.87 D 70.00 21x65			1.75 MO P 2.00 P 3.00 CR [26]
[26] Steel	[26] Acier	[26] Acciaio	[26] Acero

BE/PL	4	48.000/48.020	51.587/51.600	20.500	1.768	0.031/0.089	BS	4060CP	71-4311/4 STD 0.25 0.50
MB/HL 1-5	5	54.785/54.795	58.731/58.744	18.500	1.945	0.046/0.094	AL-LF	66741RA	H1080/5 STD 0.25 0.50
TW/A	2	60.500/60.750	79.750/80.000		2.350		AL-LF	66741AF	A215/2 STD 0.10
SE/PB	1	21.000/21.015	23.000/23.021	24.750			BS	4064Y	55-4264 SEMI

EL960 [42][43]	JJ557 PA349 22.00x16.00x2.000mm	NF843 50.00x68.00x10.00mm, FPM/ACM NF850 85.00x105.00x8.00mm, FPM
	JJ557	

[42] Supplementary Article/Supplementary Info:
with gaskets/seals
[43] Supplementary Article/Supplementary Info 2:
without oil pan gasket

[42] Article complémentaire /
Info complémentaire: avec joints
[43] Article complémentaire / Info
complémentaire 2: sans joint de carter d'huile

[42] Artículo complementario/Información
complementaria: con juntas
[43] Artículo complementario/ Información
complementaria 2: sin junta de cárter de aceite

[42] Articolo complementare/Info
integrativa: con guarnizioni
[43] Articolo complementare/Info integrativa 2:
Senza guarnizione coppa olio

1310	81.00	Petrol				
F3N 708	4 Cyl.	9.5:1	1721cc	69kW (93)PS	TD3250	577
F3N 746	4 Cyl.	10:1	1721cc	66-80kW (90-109)PS	TD3261	572
9	06/87→12/88	11	06/87→12/88	19	08/88→09/94	

	08-335100-00 STD 08-335105-00 0.25mm 08-335107-00 0.50mm 1.75 MO P 2.00 P 3.00 CR [26]		

[26] Steel [26] Acier [26] Acciaio [26] Acero

BE/PL	4	48.000/48.020	51.587/51.600	20.500	1.768	0.031/0.089	BS	4060CP	71-4311/4 STD 0.25 0.50
MB/HL 1-5	5	54.785/54.795	58.731/58.744	18.500	1.945	0.046/0.094	AL-LF	66741RA	H1080/5 STD 0.25 0.50
TW/A	2	60.500/60.750	79.750/80.000		2.350		AL-LF	66741AF	A215/2 STD 0.10
SE/PB	1	21.000/21.015	23.000/23.021	24.750			BS	4064Y	55-4264 SEMI

--	--	--


EL960 [42][43]	JJ557 PA349 22.00x16.00x2.00mm 	NF843 50.00x68.00x10.00mm, FPM/ACM NF850 85.00x105.00x8.00mm, FPM
-----------------------	--	--

[42] Supplementary Article/Supplementary Info: with gaskets/seals [42] Article complémentaire / Info complémentaire: avec joints [42] Artículo complementario/Información complementaria: con juntas [42] Articolo complementare/Info integrativa: con guarnizioni

[43] Supplementary Article/Supplementary Info 2: without oil pan gasket [43] Article complémentaire / Info complémentaire 2: sans joint de carter d'huile [43] Artículo complementario/ Información complementaria 2: sin junta de cárter de aceite [43] Articolo complementare/Info integrativa 2: Senza guarnizione coppa olio

1311	81.00	Petrol				
F3N 747	4 Cyl.		1721cc	69kW (94)PS	TD27329	
19	10/96→06/01					

BE/PL	4	48.000/48.020	51.587/51.600	20.500	1.768	0.031/0.089	BS	4060CP	71-4311/4 STD 0.25 0.50
MB/HL 1-5	5	54.785/54.795	58.731/58.744	18.500	1.945	0.046/0.094	AL-LF	66741RA	H1080/5 STD 0.25 0.50
TW/A	2	60.500/60.750	79.750/80.000		2.350		AL-LF	66741AF	A215/2 STD 0.10
SE/PB	1	21.000/21.015	23.000/23.021	24.750			BS	4064Y	55-4264 SEMI

1311  **81.00** **Petrol**



 **EL960** [42][43]

JJ557



JJ557

[42] Supplementary Article/Supplementary Info: with gaskets/seals
 [43] Supplementary Article/Supplementary Info 2: without oil pan gasket

[42] Article complémentaire / Info complémentaire: avec joints
 [43] Article complémentaire / Info complémentaire 2: sans joint de carter d'huile

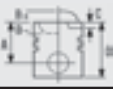




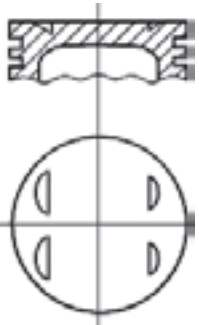



[42] Artículo complementario/Información complementaria: con juntas
 [43] Artículo complementario/ Información complementaria 2: sin junta de cárter de aceite




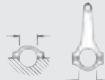






[42] Articolo complementare/Info integrativa: con guarnizioni
 [43] Articolo complementare/Info integrativa 2: Senza guarnizione coppa olio

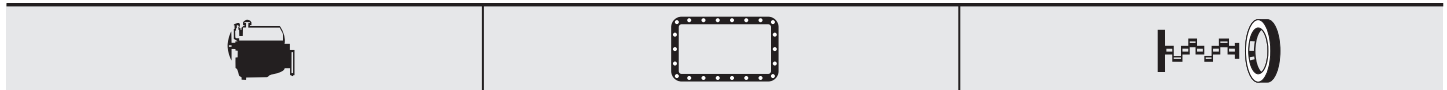
1312  **82.00** **Petrol** 


F7P 700	4 Cyl.	10:1	1764cc	101kW (137)PS	TD3277	578
F7P 704	4 Cyl.	10:1	1764cc	101kW (137)PS	TD3278	580
F7P 720	4 Cyl.	10:1	1764cc	101kW (137)PS	TD3279	578

19 06/89→06/96

			
87-336600-00 STD	08-336600-00 STD		
<p>A 35.45</p> <p>D 56.00</p> <p> 21x59</p> 	<p>1.50  MO P</p> <p>1.50  P</p> <p>3.00  P</p>		

									
BE/PL	4	48.000/48.020	51.587/51.600	20.500	1.768	0.031/0.089	BS	4060CP	71-4311/4 STD 0.25 0.50
MB/HL 1-5	5	54.785/54.795	58.731/58.744	18.500	1.945	0.046/0.094	AL-LF	66741RA	H1080/5 STD 0.25 0.50
TW/A	2	60.500/60.750	79.750/80.000		2.350		AL-LF	66741AF	A215/2 STD 0.10
SE/PB	1	21.000/21.015	23.000/23.021	24.750			BS	4064Y	55-4264 SEMI


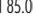


 **EL960** [42][43]

JJ557



JJ557



NF843  50.00x68.00x10.00mm, FPM/ACM
NF850  85.00x105.00x8.00mm, FPM

[42] Supplementary Article/Supplementary Info: with gaskets/seals
 [43] Supplementary Article/Supplementary Info 2: without oil pan gasket



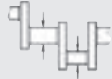







[42] Article complémentaire / Info complémentaire: avec joints
 [43] Article complémentaire / Info complémentaire 2: sans joint de carter d'huile




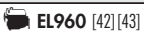


[42] Artículo complementario/Información complementaria: con juntas
 [43] Artículo complementario/ Información complementaria 2: sin junta de cárter de aceite

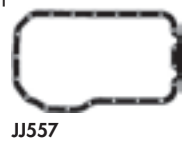
[42] Articolo complementare/Info integrativa: con guarnizioni
 [43] Articolo complementare/Info integrativa 2: Senza guarnizione coppa olio

1313  **82.00** **Petrol** 

F7P 702 4 Cyl. 1764cc **104kW (141)PS** **TD27307** **579**

									
BE/PL	4	48.000/48.020	51.587/51.600	20.500	1.768	0.031/0.089	BS	4060CP	71-4311/4 STD 0.25 0.50
MB/HL 1-5	5	54.785/54.795	58.731/58.744	18.500	1.945	0.046/0.094	AL-LF	66741RA	H1080/5 STD 0.25 0.50
TW/A	2	60.500/60.750	79.750/80.000		2.350		AL-LF	66741AF	A215/2 STD 0.10
SE/PB	1	21.000/21.015	23.000/23.021	24.750			BS	4064Y	55-4264 SEMI

		
 EL960 [42][43]	JJ557	NF843  50.00x68.00x10.00mm, FPM/ACM NF850  85.00x105.00x8.00mm, FPM





JJ557

[42] Supplementary Article/Supplementary Info: with gaskets/seals
 [43] Supplementary Article/Supplementary Info 2: without oil pan gasket

[42] Article complémentaire / Info complémentaire: avec joints
 [43] Article complémentaire / Info complémentaire 2: sans joint de carter d'huile

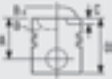
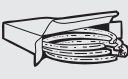






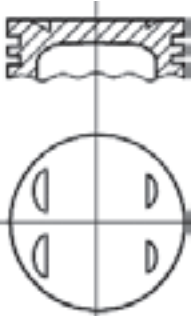
[42] Artículo complementario/Información complementaria: con juntas
 [43] Artículo complementario/ Información complementaria 2: sin junta de cárter de aceite



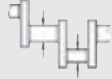







[42] Articolo complementare/Info integrativa: con guarnizioni
 [43] Articolo complementare/Info integrativa 2: Senza guarnizione coppa olio









1314  **82.00** **Petrol** 



F7P 722 4 Cyl. 10:1 1764cc **101kW (137)PS** **TD3280** **580**




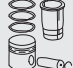



CLIO 01/91 → 03/96











			
87-336600-00 STD	08-336600-00 STD		
A 35.45 D 56.00  21x59	1.50  MO P 1.50  P 3.00  P		
			










									
BE/PL	4	48.000/48.020	51.587/51.600	20.500	1.768	0.031/0.089	BS	4060CP	71-4311/4 STD 0.25 0.50
MB/HL 1-5	5	54.785/54.795	58.731/58.744	18.500	1.945	0.046/0.094	AL-LF	66741RA	H1080/5 STD 0.25 0.50
TW/A	2	60.500/60.750	79.750/80.000		2.350		AL-LF	66741AF	A215/2 STD 0.10
SE/PB	1	21.000/21.015	23.000/23.021	24.750			BS	4064Y	55-4264 SEMI

1314	 82.00	Petrol	
			
 EL960 [42][43]	JJ557 = PB852 16.00x24.00x1.500mm = PA349 22.00x16.00x2.000mm  JJ557	NF843  50.00x68.00x10.00mm, FPM/ACM NF850  85.00x105.00x8.00mm, FPM	
[42] Supplementary Article/Supplementary Info: with gaskets/seals	[42] Article complémentaire / Info complémentaire: avec joints	[42] Artículo complementario/Información complementaria: con juntas	[42] Articolo complementare/Info integrativa: con guarnizioni
[43] Supplementary Article/Supplementary Info 2: without oil pan gasket	[43] Article complémentaire / Info complémentaire 2: sans joint de carter d'huile	[43] Artículo complementario/ Información complementaria 2: sin junta de cárter de aceite	[43] Articolo complementare/Info integrativa 2: Senza guarnizione coppa olio

1315	 82.70	Petrol				
F3P 670	4 Cyl.	9.7:1	1783cc	66kW (89)PS	TD5541	581
F3P 678	4 Cyl.	9.7:1	1783cc	66kW (89)PS	TD5542	583
LAGUNA	08/95→03/01					

			
	08-337400-00 STD		
	1.50  P PS		
	1.75  P		
	3.00  CR P		

									
BE/PL	4	48.000/48.020	51.587/51.600	20.500	1.768	0.031/0.089	BS	4060CP	71-4311/4 STD 0.25 0.50
MB/HL 1-5	5	54.785/54.795	58.731/58.744	18.500	1.945	0.046/0.094	AL-LF	66741RA	H1080/5 STD 0.25 0.50
TW/A	2	60.500/60.750	79.750/80.000		2.350		AL-LF	66741AF	A215/2 STD 0.10

			
 EL960 [42][43]	JJ557 = PA349 22.00x16.00x2.000mm  JJ557	NF843  50.00x68.00x10.00mm, FPM/ACM →04/97 NF850  85.00x105.00x8.00mm, FPM NA5037  85.00x105.00x11.00mm, ACM NA5036  42.00x54.00x6.00mm, FPM 04/97→	
[42] Supplementary Article/Supplementary Info: with gaskets/seals	[42] Article complémentaire / Info complémentaire: avec joints	[42] Artículo complementario/Información complementaria: con juntas	[42] Articolo complementare/Info integrativa: con guarnizioni
[43] Supplementary Article/Supplementary Info 2: without oil pan gasket	[43] Article complémentaire / Info complémentaire 2: sans joint de carter d'huile	[43] Artículo complementario/ Información complementaria 2: sin junta de cárter de aceite	[43] Articolo complementare/Info integrativa 2: Senza guarnizione coppa olio

1316


82.70
Petrol

F3P 674

4 Cyl.

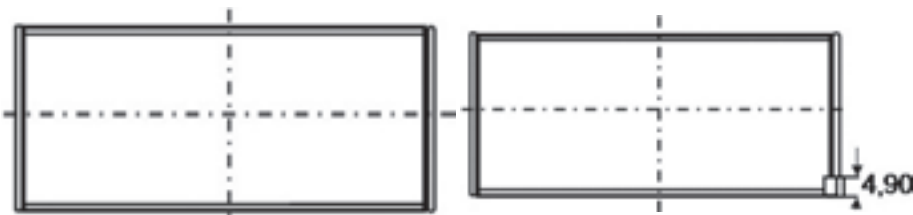
9.7:1

1783cc

69kW (93)PS
TD18885
582
LAGUNA

06/95→02/01

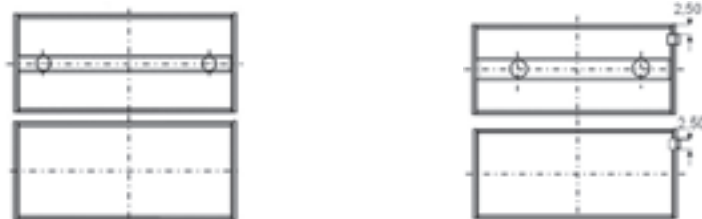
BE/PL	4	48.000/48.020	51.587/51.606	20.250	1.776	0.015/0.079	EC	71-3988	71-3988/4 STD 0.25 0.50	[45]	
01/98→											
BE/PL	4	48.000/48.020	51.587/51.600	20.500	1.768	0.031/0.089	BS	4060CP	71-4311/4 STD 0.25 0.50		
→12/97											

71-3988
4060CP


MB/HL 1-5	5	54.785/54.805	58.731/58.744	18.500	1.947	0.032/0.090	EC	72-3989	H098/5 STD 0.25 0.50
--------------	---	---------------	---------------	--------	-------	-------------	----	---------	--------------------------------

01/98→

MB/HL 1-5	5	54.785/54.795	58.731/58.744	18.500	1.945	0.046/0.094	AL-LF	66741RA	H1080/5 STD 0.25 0.50
--------------	---	---------------	---------------	--------	-------	-------------	-------	---------	---------------------------------

→12/97
72-3989
66741RA


TW/A	2	60.500/60.750	79.750/80.000	2.350			AL-LF	66741AF	A215/2 STD 0.10
------	---	---------------	---------------	-------	--	--	-------	---------	---------------------------


EL960 [42][43]

JJ557
PA349
 22.00x16.00x2.000mm

JJ557
NF843 50.00x68.00x10.00mm, FPM/ACM
 →04/97
NA5037 85.00x105.00x11.00mm, ACM
NA5036 42.00x54.00x6.00mm, FPM
 04/97→

 [42] Supplementary Article/Supplementary Info:
 with gaskets/seals

 [43] Supplementary Article/Supplementary Info 2:
 without oil pan gasket

 [42] Article complémentaire /
 Info complémentaire: avec joints



 [43] Article complémentaire / Info
 complémentaire 2: sans joint de carter d'huile

 [42] Artículo complementario/Información
 complementaria: con juntas




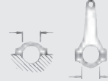






 [43] Artículo complementario/ Información
 complementaria 2: sin junta de cárter de aceite




 [42] Articolo complementare/Info
 integrativa: con guarnizioni


 [43] Articolo complementare/Info integrativa 2:
 Senza guarnizione coppa olio

1317	 82.70	Petrol				
F3P 682	4 Cyl.	9.7:1	1783cc	79kW (107)PS	TD5483	584
F3P 700	4 Cyl.	9.7:1	1794cc	79-81kW (107-110)PS	TD3262	589
F3P 704	4 Cyl.	9.7:1	1794cc	65-66kW (88-90)PS	TD5488	589
F3P 705	4 Cyl.	9.7:1	1794cc	65-66kW (88-90)PS	TD3263	590
F3P 706	4 Cyl.	9.7:1	1794cc	65-66kW (88-90)PS	TD3264	590
F3P 707	4 Cyl.	9.7:1	1794cc	65-66kW (88-90)PS	TD3265	590
F3P 708	4 Cyl.	9.7:1	1794cc	65-66kW (88-90)PS	TD3266	590
F3P 760	4 Cyl.	9.7:1	1794cc	65-66kW (88-90)PS	TD3274	590
F3P 764	4 Cyl.	9.7:1	1783cc	79kW (107)PS	TD9554	584
F3P 765	4 Cyl.	9.7:1	1794cc	79kW (107)PS	TD5494	584



19 04/92 → 06/96

									
BE/PL	4	48.000/48.020	51.587/51.600	20.500	1.768	0.031/0.089	BS	4060CP	71-4311/4 STD 0.25 0.50
MB/HL 1-5	5	54.785/54.795	58.731/58.744	18.500	1.945	0.046/0.094	AL-LF	66741RA	H1080/5 STD 0.25 0.50
TW/A	2	60.500/60.750	79.750/80.000		2.350		AL-LF	66741AF	A215/2 STD 0.10

		
---	---	---

 **EL960** [42] [43]

JJ557
=PA349
22.00x16.00x2.000mm

NF843  50.00x68.00x10.00mm, FPM/ACM
NF850  85.00x105.00x8.00mm, FPM



JJ557

[42] Supplementary Article/Supplementary Info:
with gaskets/seals

[42] Article complémentaire /
Info complémentaire: avec joints

[42] Artículo complementario/Información
complementaria: con juntas



[42] Articolo complementare/Info
integrativa: con guarnizioni

[43] Supplementary Article/Supplementary Info 2:
without oil pan gasket

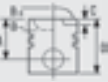
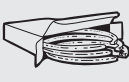





[43] Article complémentaire / Info
complémentaire 2: sans joint de carter d'huile

[43] Artículo complementario/ Información
complementaria 2: sin junta de cárter de aceite

[43] Articolo complementare/Info integrativa 2:
Senza guarnizione coppa olio





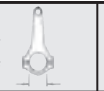




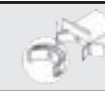


1318	 82.70	Petrol				
F3P 710	4 Cyl.	9.7:1	1794cc	70kW (95)PS	TD3267	589
F3P 714	4 Cyl.	9.7:1	1794cc	70kW (95)PS	TD3269	589
F3P 754	4 Cyl.	9.8:1	1794cc	70kW (95)PS	TD5523	584
F3P 755	4 Cyl.	9.8:1	1783cc	70kW (95)PS	TD3272	584
F3P 758	4 Cyl.	9.8:1	1783cc	70kW (95)PS	TD3273	584

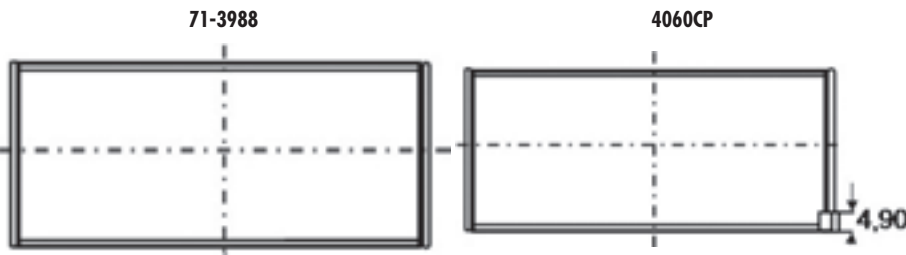
CLIO 08/90 → 09/98

			
	08-337400-00 STD		
	1.50  P PS		
	1.75  P		
	3.00  CR P		

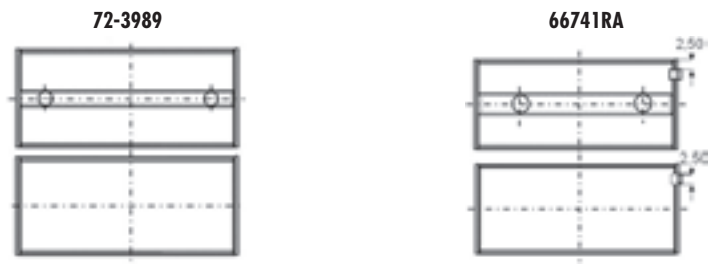
...Continued

1318  **82.70** **Petrol**


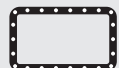
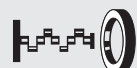
											
BE/PL	4	48.000/48.020	51.587/51.606	20.250	1.776	0.015/0.079	EC	71-3988	71-3988/4 STD 0.25 0.50	[45]	
01/98 →											
BE/PL	4	48.000/48.020	51.587/51.600	20.500	1.768	0.031/0.089	BS	4060CP	71-4311/4 STD 0.25 0.50		
→ 12/97											







MB/HL 1-5	5	54.785/54.805	58.731/58.744	18.500	1.947	0.032/0.090	EC	72-3989	H098/5 STD 0.25 0.50
01/98 →									
MB/HL 1-5	5	54.785/54.795	58.731/58.744	18.500	1.945	0.046/0.094	AL-LF	66741RA	H1080/5 STD 0.25 0.50
→ 12/97									



TW/A	2	60.500/60.750	79.750/80.000	2.350			AL-LF	66741AF	A215/2 STD 0.10
------	---	---------------	---------------	-------	--	--	-------	---------	---------------------------

		
---	---	---

 EL960 [42][43]	JJ557 = PA349 22.00x16.00x2.000mm 	NF843  50.00x68.00x10.00mm, FPM/ACM NF850  85.00x105.00x8.00mm, FPM
---	--	--

[42] Supplementary Article/Supplementary Info: with gaskets/seals	[42] Article complémentaire / Info complémentaire: avec joints	[42] Artículo complementario/Información complementaria: con juntas	[42] Articolo complementare/Info integrativa: con guarnizioni
[43] Supplementary Article/Supplementary Info 2: without oil pan gasket	[43] Article complémentaire / Info complémentaire 2: sans joint de carter d'huile	[43] Artículo complementario/ Información complementaria 2: sin junta de cárter de aceite	[43] Articolo complementare/Info integrativa 2: Senza guarnizione coppa olio

1319


82.70
Petrol


F4P 720	4 Cyl.	9.8:1	1783cc	85kW (115)PS	TD16220	585
F4P 722	4 Cyl.	9.8:1	1783cc	85kW (115)PS	TD16221	585

MEGANE 01/01 → 08/03 **SCÉNIC** 07/00 → 08/03

MB/HL 1-5	5	54.785/54.795	58.731/58.744	18.500	1.945	0.050/0.090	AL-LF	66741RAB	H1101/5 STD 0.25 0.50
TW/A	2	60.500/60.750	79.750/80.000		2.350		AL-LF	66741AF	A215/2 STD 0.10
SE/PB	1	21.000/21.015	23.000/23.021	24.750			BS	4064Y	55-4264 SEMI

--	--	--

ED5991
JH5041

NA5036 42.00x54.00x6.00mm, FPM
NF850 85.00x105.00x8.00mm, FPM
NA5037 85.00x105.00x11.00mm, ACM


JH5041

1320


82.70
Petrol


F4P 760	4 Cyl.	9.8:1	1783cc	88kW (120)PS	TD16189	585
F4P 770	4 Cyl.	9.8:1	1783cc	85-89kW (116-121)PS	TD16216	586
F4P 771	4 Cyl.	9.8:1	1783cc	85-89kW (116-121)PS	TD18272	586
F4P 772	4 Cyl.	9.8:1	1783cc	89kW (121)PS	TD21211	587
F4P 773	4 Cyl.	9.8:1	1783cc	85-89kW (116-121)PS	TD16217	586
F4P 774	4 Cyl.	9.8:1	1783cc	85-89kW (116-121)PS	TD18273	586
F4P 775	4 Cyl.	9.8:1	1783cc	85-89kW (116-121)PS	TD18274	586

LAGUNA 04/98 →

MB/HL 1-5	5	54.785/54.795	58.731/58.744	18.500	1.945	0.050/0.090	AL-LF	66741RAB	H1101/5 STD 0.25 0.50
TW/A	2	60.500/60.750	79.750/80.000		2.350		AL-LF	66741AF	A215/2 STD 0.10
SE/PB	1	21.000/21.015	23.000/23.021	24.750			BS	4064Y	55-4264 SEMI

--	--	--

ED5991

JH5041
KG5012
 16.00x23.00x1.500mm

NA5036 42.00x54.00x6.00mm, FPM
NF850 85.00x105.00x8.00mm, FPM
NA5037 85.00x105.00x11.00mm, ACM


JH5041

1321


82.70
Petrol

F3P 676

4 Cyl.

9.7:1

1794cc

70-69kW (95-94)PS
TD20049
588
LAGUNA

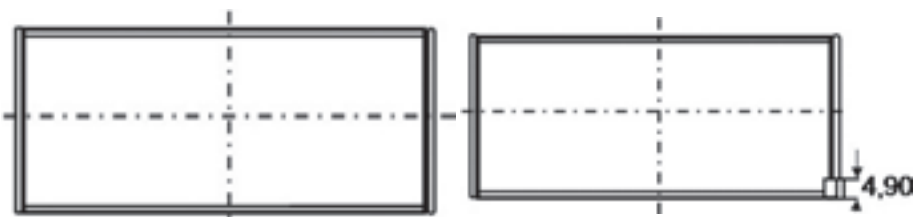
06/95→06/98



BE/PL	4	48.000/48.020	51.587/51.606	20.250	1.776	0.015/0.079	EC	71-3988	71-3988/4 STD 0.25 0.50	[45]
-------	---	---------------	---------------	--------	-------	-------------	----	---------	-----------------------------------	------

01/98→

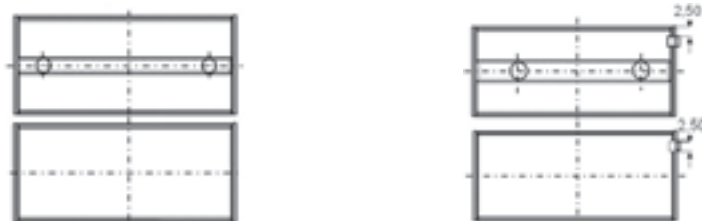
BE/PL	4	48.000/48.020	51.587/51.600	20.500	1.768	0.031/0.089	BS	4060CP	71-4311/4 STD 0.25 0.50
-------	---	---------------	---------------	--------	-------	-------------	----	--------	-----------------------------------

→12/97
71-3988
4060CP


MB/HL 1-5	5	54.785/54.805	58.731/58.744	18.500	1.947	0.032/0.090	EC	72-3989	H098/5 STD 0.25 0.50
--------------	---	---------------	---------------	--------	-------	-------------	----	---------	--------------------------------

01/98→

MB/HL 1-5	5	54.785/54.795	58.731/58.744	18.500	1.945	0.046/0.094	AL-LF	66741RA	H1080/5 STD 0.25 0.50
--------------	---	---------------	---------------	--------	-------	-------------	-------	---------	---------------------------------

→12/97
72-3989
66741RA


TW/A	2	60.500/60.750	79.750/80.000	2.350			AL-LF	66741AF	A215/2 STD 0.10
------	---	---------------	---------------	-------	--	--	-------	---------	---------------------------


EL960 [42][43]

JJ557
PA349
 22.00x16.00x2.000mm

JJ557
NF843 50.00x68.00x10.00mm, FPM/ACM
NF850 85.00x105.00x8.00mm, FPM
NA5037 85.00x105.00x11.00mm, ACM

 [42] Supplementary Article/Supplementary Info:
 with gaskets/seals

 [43] Supplementary Article/Supplementary Info 2:
 without oil pan gasket

 [42] Article complémentaire /
 Info complémentaire: avec joints

 [43] Article complémentaire / Info
 complémentaire 2: sans joint de carter d'huile

 [42] Artículo complementario/Información
 complementaria: con juntas

 [43] Artículo complementario/ Información
 complementaria 2: sin junta de cárter de aceite

 [42] Articolo complementare/Info
 integrativa: con guarnizioni

 [43] Articolo complementare/Info integrativa 2:
 Senza guarnizione coppa olio

RENAULT/DACIA

1322


82.70
Petrol


F3P 712	4 Cyl.	9.8:1	1794cc	70kW (95)PS	TD3268	589
---------	--------	-------	--------	-------------	--------	-----

CLIO	01/93→08/95
------	-------------

	08-337400-00 STD 1.50 P PS 1.75 P 3.00 CR P		

BE/PL	4	48.000/48.020	51.587/51.600	20.500	1.768	0.031/0.089	BS	4060CP	71-4311/4 STD 0.25 0.50
MB/HL 1-5	5	54.785/54.795	58.731/58.744	18.500	1.945	0.046/0.094	AL-LF	66741RA	H1080/5 STD 0.25 0.50
TW/A	2	60.500/60.750	79.750/80.000		2.350		AL-LF	66741AF	A215/2 STD 0.10

--	--	--

EL960 [42][43]

JJ557
PA349
 22.00x16.00x2.000mm

JJ557
NF843 50.00x68.00x10.00mm, FPM/ACM
NF850 85.00x105.00x8.00mm, FPM

 [42] Supplementary Article/Supplementary Info:
 with gaskets/seals

 [42] Article complémentaire /
 Info complémentaire: avec joints
 [43] Supplementary Article/Supplementary Info 2:
 without oil pan gasket
 [43] Article complémentaire / Info
 complémentaire 2: sans joint de carter d'huile

 [42] Artículo complementario/Información
 complementaria: con juntas
 [43] Artículo complementario/ Información
 complementaria 2: sin junta de cárter de aceite

 [42] Articolo complementare/Info
 integrativa: con guarnizioni
 [43] Articolo complementare/Info integrativa 2:
 Senza guarnizione coppa olio

1323


82.70
Petrol


F3P 720	4 Cyl.	9.7:1	1794cc	66-69kW (90-94)PS	TD3270	583
---------	--------	-------	--------	-------------------	--------	-----

F3P 724	4 Cyl.	9.7:1	1794cc	66-69kW (90-94)PS	TD3271	583
---------	--------	-------	--------	-------------------	--------	-----

LAGUNA	11/93→03/01
--------	-------------

	08-337400-00 STD 1.50 P PS 1.75 P 3.00 CR P		

...Continued

1323



82.70

Petrol

BE/PL	4	48.000/48.020	51.587/51.606	20.250	1.776	0.015/0.079	EC	71-3988	71-3988/4 STD 0.25 0.50	[45]

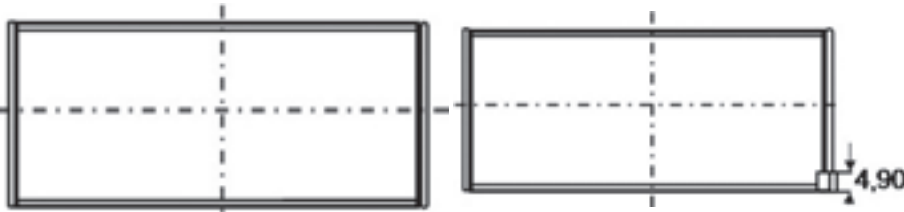
01/98 →

BE/PL	4	48.000/48.020	51.587/51.600	20.500	1.768	0.031/0.089	BS	4060CP	71-4311/4 STD 0.25 0.50
-------	---	---------------	---------------	--------	-------	-------------	----	--------	-----------------------------------

→12/97

71-3988

4060CP



MB/HL 1-5	5	54.785/54.805	58.731/58.744	18.500	1.947	0.032/0.090	EC	72-3989	H098/5 STD 0.25 0.50
--------------	---	---------------	---------------	--------	-------	-------------	----	---------	--------------------------------

01/98 →

MB/HL 1-5	5	54.785/54.795	58.731/58.744	18.500	1.945	0.046/0.094	AL-LF	66741RA	H1080/5 STD 0.25 0.50
--------------	---	---------------	---------------	--------	-------	-------------	-------	---------	---------------------------------

→12/97

72-3989

66741RA



TW/A	2	60.500/60.750	79.750/80.000	2.350			AL-LF	66741AF	A215/2 STD 0.10
------	---	---------------	---------------	-------	--	--	-------	---------	---------------------------

--	--	--

EL960 [42][43]

JJ557
=PA349
22.00x16.00x2.000mm



JJ557

NF843 50.00x68.00x10.00mm, FPM/ACM
→04/97
NF850 85.00x105.00x8.00mm, FPM
NA5037 85.00x105.00x11.00mm, ACM
NA5036 42.00x54.00x6.00mm, FPM
04/97 →

[42] Supplementary Article/Supplementary Info:
with gaskets/seals

[43] Supplementary Article/Supplementary Info 2:
without oil pan gasket

[42] Article complémentaire /
Info complémentaire: avec joints

[43] Article complémentaire / Info
complémentaire 2: sans joint de carter d'huile

[42] Artículo complementario/Información
complementaria: con juntas

[43] Artículo complementario/ Información
complementaria 2: sin junta de cárter de aceite

[42] Articolo complementare/Info
integrativa: con guarnizioni

[43] Articolo complementare/Info integrativa 2:
Senza guarnizione coppa olio

RENAULT/DACIA

1324



82.70

Petrol

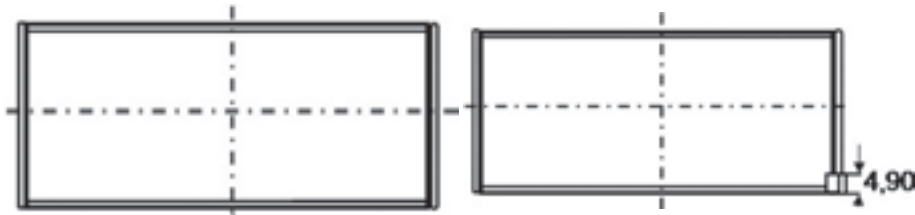


F3R 200 4 Cyl. 9.8:1 1998cc 84kW (114)PS TD21210 591

									71-3988/4 STD 0.25 0.50	[45]
01/98 →										
BE/PL	4	48.000/48.020	51.587/51.600	20.500	1.768	0.031/0.089	BS	4060CP	71-4311/4 STD 0.25 0.50	
→12/97										

71-3988

4060CP



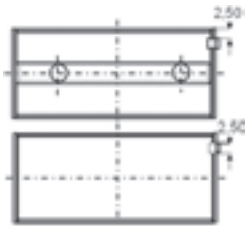
MB/HL 1-5	5	54.785/54.795	58.731/58.744	18.500	1.945	0.046/0.094	AL-LF	66741RA	H1080/5 STD 0.25 0.50	
→12/97										

MB/HL 1-5	5	54.785/54.795	58.731/58.744	18.500	1.945	0.050/0.090	AL-LF	66741RAB	H1101/5 STD 0.25 0.50
--------------	---	---------------	---------------	--------	-------	-------------	-------	----------	---------------------------------

01/98 →

66741RA

66741RAB



TW/A	2	60.500/60.750	79.750/80.000		2.350		AL-LF	66741AF	A215/2 STD 0.10
------	---	---------------	---------------	--	-------	--	-------	---------	---------------------------

1325



82.70

Petrol














F3R 611 4 Cyl. 9.5:1 1998cc 83-85kW (113-116)PS TD20904 592

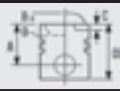






LAGUNA 03/99 → 03/01



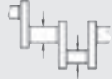







									71-3988/4 STD 0.25 0.50	[45]
MB/HL 1-5	5	54.785/54.795	58.731/58.744	18.500	1.945	0.050/0.090	AL-LF	66741RAB	H1101/5 STD 0.25 0.50	
TW/A	2	60.500/60.750	79.750/80.000		2.350		AL-LF	66741AF	A215/2 STD 0.10	

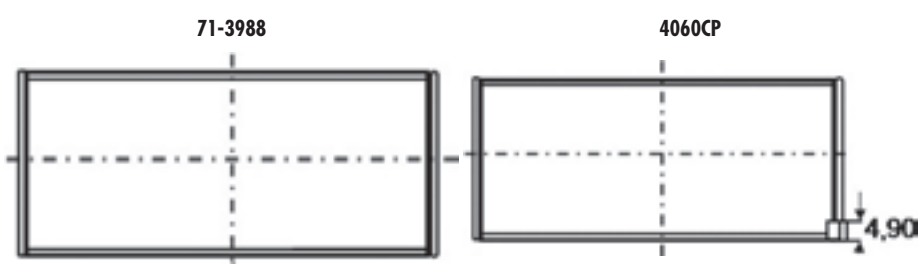
...Continued

1325	 82.70	Petrol
 	 JH5041 =KG5012 16.00x23.00x1.500mm	 NF843  50.00x68.00x10.00mm, FPM/ACM →04/97 NA5037  85.00x105.00x11.00mm, ACM NA5036  42.00x54.00x6.00mm, FPM 04/97→
	 JH5041	

1326	 82.70	Petrol				
F3R 722	4 Cyl.	9.5:1	1998cc	70kW (95)PS	TD3275	592
F3R 723	4 Cyl.	9.5:1	1998cc	70kW (95)PS	TD3276	592
F3R 728	4 Cyl.	9.5:1	1998cc	84kW (114)PS	TD16177	593
F3R 729	4 Cyl.	9.5:1	1998cc	84kW (114)PS	TD16178	593
F3R 750	4 Cyl.	9.5:1	1998cc	84kW (114)PS	TD4865	595
ESPACE	11/96→10/00	LAGUNA	11/93→03/01	MEGANE	01/96→08/03	

			
	08-337400-00 STD		
	1.50  P PS		
	1.75  P		
	3.00  CR P		

									
BE/PL	4	48.000/48.020	51.587/51.606	20.250	1.776	0.015/0.079	EC	71-3988	71-3988/4 STD 0.25 0.50 [45]
01/98→									
BE/PL	4	48.000/48.020	51.587/51.600	20.500	1.768	0.031/0.089	BS	4060CP	71-4311/4 STD 0.25 0.50
→12/97									



1326

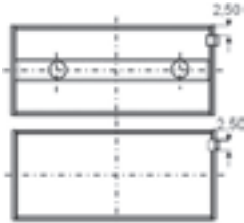
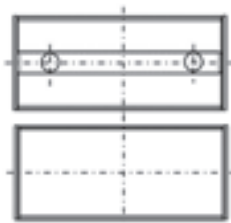

82.70
Petrol

MB/HL 1-5	5	54.785/54.795	58.731/58.744	18.500	1.945	0.046/0.094	AL-LF	66741RA	H1080/5 STD 0.25 0.50

→12/97

MB/HL 1-5	5	54.785/54.795	58.731/58.744	18.500	1.945	0.050/0.090	AL-LF	66741RAB	H1101/5 STD 0.25 0.50
--------------	---	---------------	---------------	--------	-------	-------------	-------	----------	---------------------------------

01/98→

66741RA

66741RAB


TW/A	2	60.500/60.750	79.750/80.000	2.350	AL-LF	66741AF	A215/2 STD 0.10
------	---	---------------	---------------	-------	-------	---------	---------------------------


EL960 [42][43]

JJ557

-PA349

22.00x16.00x2.000mm


JJ557
NF843 50.00x68.00x10.00mm, FPM/ACM

NF850 85.00x105.00x8.00mm, FPM

NA5037 85.00x105.00x11.00mm, ACM

 [42] Supplementary Article/Supplementary Info:
with gaskets/seals

 [42] Article complémentaire /
Info complémentaire: avec joints

 [42] Artículo complementario/Información
complementaria: con juntas

 [42] Articolo complementare/Info
integrativa: con guarnizioni

 [43] Supplementary Article/Supplementary Info 2:
without oil pan gasket

 [43] Article complémentaire / Info
complémentaire 2: sans joint de carter d'huile

 [43] Artículo complementario/ Información
complementaria 2: sin junta de cárter de aceite

 [43] Articolo complementare/Info integrativa 2:
Senza guarnizione coppa olio

1327


82.70
Petrol


F3R 742	4 Cyl.	9.8:1	1998cc	84kW (114)PS	TD16372	594
F3R 796	4 Cyl.	9.5:1	1998cc	80kW (109)PS	TD16351	592

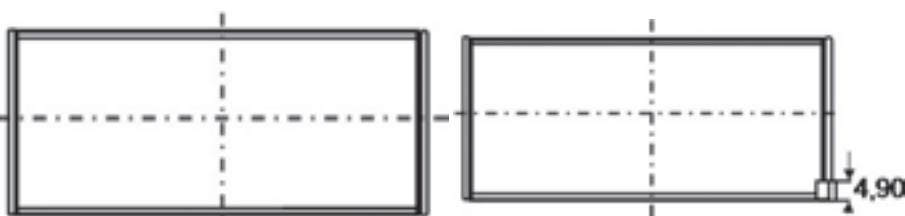
ESPACE	11/96→10/00	MEGANE	09/96→08/03
---------------	-------------	---------------	-------------

BE/PL	4	48.000/48.020	51.587/51.606	20.250	1.776	0.015/0.079	EC	71-3988	71-3988/4 STD 0.25 0.50 [45]

01/98→



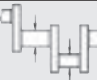








BE/PL	4	48.000/48.020	51.587/51.600	20.500	1.768	0.031/0.089	BS	4060CP	71-4311/4 STD 0.25 0.50
-------	---	---------------	---------------	--------	-------	-------------	----	--------	-----------------------------------

→12/97

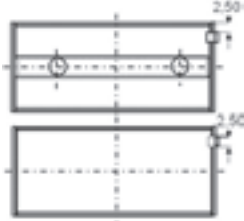
71-3988
4060CP


...Continued

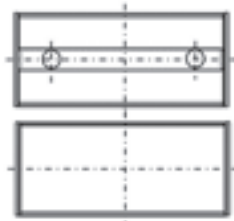
1327  **82.70** **Petrol**

										
MB/HL 1-5	5	54.785/54.795	58.731/58.744	18.500	1.945	0.046/0.094	AL-LF	66741RA	H1080/5 STD 0.25 0.50	
→12/97										
MB/HL 1-5	5	54.785/54.795	58.731/58.744	18.500	1.945	0.050/0.090	AL-LF	66741RAB	H1101/5 STD 0.25 0.50	
01/98→										


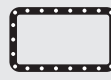

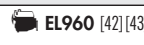


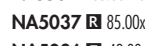
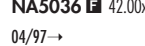
66741RA



66741RAB



TW/A	2	60.500/60.750	79.750/80.000	2.350	AL-LF	66741AF	A215/2 STD 0.10
------	---	---------------	---------------	-------	-------	---------	---------------------------

		
 EL960 [42][43]	JJ557 = PA349 22.00x16.00x2.000mm	NF843  50.00x68.00x10.00mm, FPM/ACM →04/97 NF850  85.00x105.00x8.00mm, FPM NA5037  85.00x105.00x11.00mm, ACM NA5036  42.00x54.00x6.00mm, FPM 04/97→



JJ557

[42] Supplementary Article/Supplementary Info:
with gaskets/seals
[43] Supplementary Article/Supplementary Info 2:
without oil pan gasket

[42] Article complémentaire /
Info complémentaire: avec joints
[43] Article complémentaire / Info
complémentaire 2: sans joint de carter d'huile

[42] Artículo complementario/Información
complementaria: con juntas
[43] Artículo complementario/ Información
complementaria 2: sin junta de cárter de aceite

[42] Articolo complementare/Info
integrativa: con guarnizioni
[43] Articolo complementare/Info integrativa 2:
Senza guarnizione coppa olio

1328
82.70
Petrol

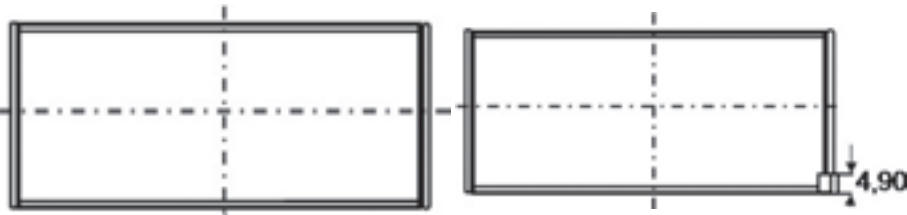
F3R 751 4 Cyl. 9.5:1 1998cc **84kW (114)PS** **TD16357** **596**
MEGANE 01/96→08/03

--	--	--	--	--	--	--	--	--	--	--

BE/PL	4	48.000/48.020	51.587/51.606	20.250	1.776	0.015/0.079	EC	71-3988	71-3988/4 STD 0.25 0.50	[45]
-------	---	---------------	---------------	--------	-------	-------------	----	---------	-----------------------------------	------

01/98→

BE/PL	4	48.000/48.020	51.587/51.600	20.500	1.768	0.031/0.089	BS	4060CP	71-4311/4 STD 0.25 0.50
-------	---	---------------	---------------	--------	-------	-------------	----	--------	-----------------------------------

→12/97
71-3988
4060CP


MB/HL 1-5	5	54.785/54.795	58.731/58.744	18.500	1.945	0.046/0.094	AL-LF	66741RA	H1080/5 STD 0.25 0.50
--------------	---	---------------	---------------	--------	-------	-------------	-------	---------	---------------------------------

→12/97

MB/HL 1-5	5	54.785/54.795	58.731/58.744	18.500	1.945	0.050/0.090	AL-LF	66741RAB	H1101/5 STD 0.25 0.50
--------------	---	---------------	---------------	--------	-------	-------------	-------	----------	---------------------------------

01/98→
66741RA
66741RAB


TW/A	2	60.500/60.750	79.750/80.000	2.350			AL-LF	66741AF	A215/2 STD 0.10
------	---	---------------	---------------	-------	--	--	-------	---------	---------------------------


EL960 [42][43]

JJ557
NF843 50.00x68.00x10.00mm, FPM/ACM
NF850 85.00x105.00x8.00mm, FPM
NA5037 85.00x105.00x11.00mm, ACM

JJ557

 [42] Supplementary Article/Supplementary Info:
with gaskets/seals

 [42] Article complémentaire /
Info complémentaire: avec joints

 [42] Artículo complementario/Información
complementaria: con juntas

 [42] Articolo complementare/Info
integrativa: con guarnizioni

 [43] Supplementary Article/Supplementary Info 2:
without oil pan gasket

 [43] Article complémentaire / Info
complémentaire 2: sans joint de carter d'huile

 [43] Artículo complementario/ Información
complementaria 2: sin junta de cárter de aceite

 [43] Articolo complementare/Info integrativa 2:
Senza guarnizione coppa olio

1329


82.70
Petrol

F3R 752

4 Cyl.

9.7:1

1998cc

84-80kW (114-109)PS
TD20052
595
MEGANE

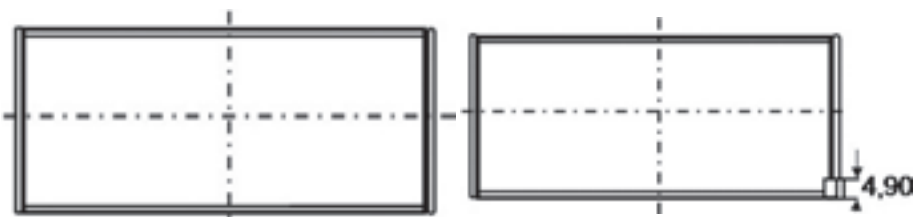
09/96→08/03

--	--	--	--	--	--	--	--	--	--	--

BE/PL	4	48.000/48.020	51.587/51.606	20.250	1.776	0.015/0.079	EC	71-3988	71-3988/4 STD 0.25 0.50	[45]
-------	---	---------------	---------------	--------	-------	-------------	----	---------	-----------------------------------	------

01/98→

BE/PL	4	48.000/48.020	51.587/51.600	20.500	1.768	0.031/0.089	BS	4060CP	71-4311/4 STD 0.25
-------	---	---------------	---------------	--------	-------	-------------	----	--------	------------------------------

→12/97
71-3988
4060CP


MB/HL 1-5	5	54.785/54.795	58.731/58.744	18.500	1.945	0.046/0.094	AL-LF	66741RA	H1080/5 STD 0.25 0.50
--------------	---	---------------	---------------	--------	-------	-------------	-------	---------	---------------------------------

→12/97

MB/HL 1-5	5	54.785/54.795	58.731/58.744	18.500	1.945	0.050/0.090	AL-LF	66741RAB	H1101/5 STD 0.25 0.50
--------------	---	---------------	---------------	--------	-------	-------------	-------	----------	---------------------------------

01/98→
66741RA
66741RAB


TW/A	2	60.500/60.750	79.750/80.000	2.350			AL-LF	66741AF	A215/2 STD 0.10
------	---	---------------	---------------	-------	--	--	-------	---------	---------------------------


EL960 [42][43]

JJ557
PA349
 22.00x16.00x2.000mm

NF850 85.00x105.00x8.00mm, FPM

JJ557

 [42] Supplementary Article/Supplementary Info:
with gaskets/seals

 [43] Supplementary Article/Supplementary Info 2:
without oil pan gasket

 [42] Article complémentaire /
Info complémentaire: avec joints

 [43] Article complémentaire / Info
complémentaire 2: sans joint de carter d'huile

 [42] Artículo complementario/Información
complementaria: con juntas

 [43] Artículo complementario/ Información
complementaria 2: sin junta de cárter de aceite

 [42] Articolo complementare/Info
integrativa: con guarnizioni

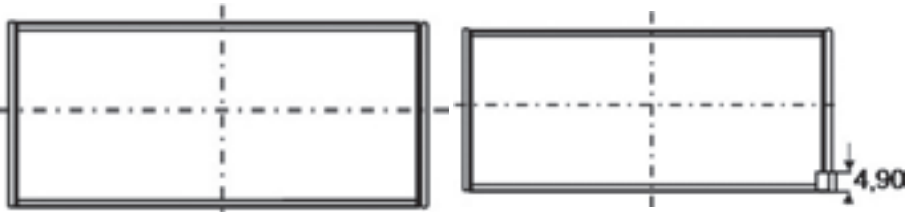
 [43] Articolo complementare/Info integrativa 2:
Senza guarnizione coppa olio

1330

82.70
Petrol


F3R 768	4 Cyl.	9.5:1	1998cc	84kW (114)PS	TD16373	597
F3R 769	4 Cyl.	9.5:1	1998cc	84kW (114)PS	TD16374	594
ESPACE	11/96→10/00		LAGUNA	06/95→02/01		

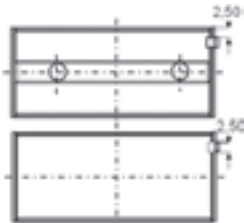
BE/PL	4	48.000/48.020	51.587/51.606	20.250	1.776	0.015/0.079	EC	71-3988	71-3988/4 STD 0.25 0.50	[45]
01/98→										
BE/PL	4	48.000/48.020	51.587/51.600	20.500	1.768	0.031/0.089	BS	4060CP	71-4311/4 STD 0.25 0.50	
→12/97										

71-3988
4060CP


MB/HL 1-5	5	54.785/54.795	58.731/58.744	18.500	1.945	0.046/0.094	AL-LF	66741RA	H1080/5 STD 0.25 0.50
--------------	---	---------------	---------------	--------	-------	-------------	-------	---------	---------------------------------

→12/97

MB/HL 1-5	5	54.785/54.795	58.731/58.744	18.500	1.945	0.050/0.090	AL-LF	66741RAB	H1101/5 STD 0.25 0.50
--------------	---	---------------	---------------	--------	-------	-------------	-------	----------	---------------------------------

01/98→
66741RA
66741RAB


TW/A	2	60.500/60.750	79.750/80.000	2.350			AL-LF	66741AF	A215/2 STD 0.10
------	---	---------------	---------------	-------	--	--	-------	---------	---------------------------


EL960 [42][43]

JJ557
PA349
 22.00x16.00x2.000mm

JJ557
NA5036 42.00x54.00x6.00mm, FPM
NF843 50.00x68.00x10.00mm, FPM/ACM
NF850 85.00x105.00x8.00mm, FPM
NA5037 85.00x105.00x11.00mm, ACM

 [42] Supplementary Article/Supplementary Info:
with gaskets/seals

 [43] Supplementary Article/Supplementary Info 2:
without oil pan gasket

 [42] Article complémentaire /
Info complémentaire: avec joints

 [43] Article complémentaire / Info
complémentaire 2: sans joint de carter d'huile

 [42] Artículo complementario/Información
complementaria: con juntas

 [43] Artículo complementario/ Información
complementaria 2: sin junta de cárter de aceite

 [42] Articolo complementare/Info
integrativa: con guarnizioni

 [43] Articolo complementare/Info integrativa 2:
Senza guarnizione coppa olio

1331

82.70

Petrol



F3R 791	4 Cyl.	9.5:1	1998cc	80kW (109)PS	TD16350	595
F3R 797	4 Cyl.	9.7:1	1998cc	84kW (114)PS	TD20050	598
F3R 798	4 Cyl.	9.7:1	1998cc	84kW (114)PS	TD20051	599

MEGANE 09/96→08/03

									71-3988/4 STD 0.25 0.50	[45]
--	--	--	--	--	--	--	--	--	-----------------------------------	------

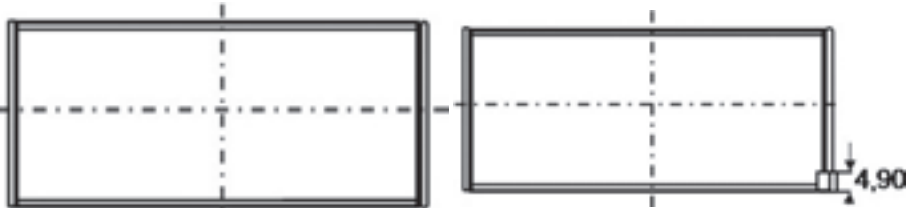
01/98→

									71-4311/4 STD 0.25 0.50	
--	--	--	--	--	--	--	--	--	-----------------------------------	--

→12/97

71-3988

4060CP



									H1080/5 STD 0.25 0.50	
--	--	--	--	--	--	--	--	--	---------------------------------	--

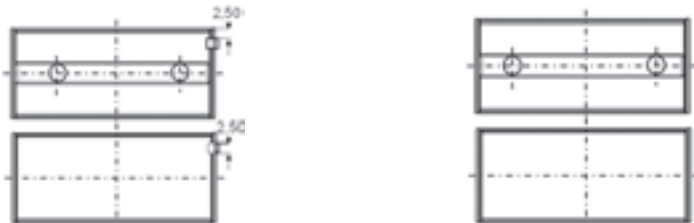
→12/97

									H1101/5 STD 0.25 0.50	
--	--	--	--	--	--	--	--	--	---------------------------------	--

01/98→

66741RA

66741RAB



									A215/2 STD 0.10	
--	--	--	--	--	--	--	--	--	---------------------------	--



EC5060
EC5063



JH5041



NA5036 42.00x54.00x6.00mm, FPM
NA5037 85.00x105.00x11.00mm, ACM



JH5041

RENAULT/DACIA

1332



82.70

Petrol



F3R J7 4 Cyl. 9.8:1 1998cc 84kW (114)PS TD5504 600

--	--	--	--	--	--	--	--	--	--

BE/PL	4	48.000/48.020	51.587/51.606	20.250	1.776	0.015/0.079	EC	71-3988	71-3988/4 STD 0.25 0.50	[45]
-------	---	---------------	---------------	--------	-------	-------------	----	---------	----------------------------	------

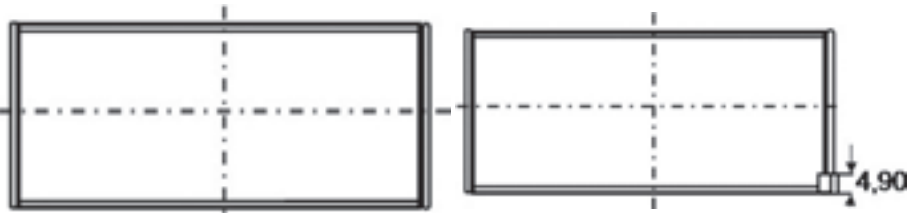
01/98 →

BE/PL	4	48.000/48.020	51.587/51.600	20.500	1.768	0.031/0.089	BS	4060CP	71-4311/4 STD 0.25 0.50
-------	---	---------------	---------------	--------	-------	-------------	----	--------	----------------------------

→12/97

71-3988

4060CP



MB/HL 1-5	5	54.785/54.795	58.731/58.744	18.500	1.945	0.046/0.094	AL-LF	66741RA	H1080/5 STD 0.25 0.50
--------------	---	---------------	---------------	--------	-------	-------------	-------	---------	--------------------------

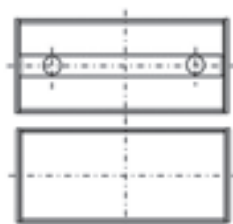
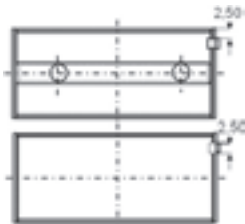
→12/97

MB/HL 1-5	5	54.785/54.795	58.731/58.744	18.500	1.945	0.050/0.090	AL-LF	66741RAB	H1101/5 STD 0.25 0.50
--------------	---	---------------	---------------	--------	-------	-------------	-------	----------	--------------------------

01/98 →

66741RA

66741RAB



TW/A	2	60.500/60.750	79.750/80.000	2.350			AL-LF	66741AF	A215/2 STD 0.10
------	---	---------------	---------------	-------	--	--	-------	---------	--------------------



NF843 50.00x68.00x10.00mm, FPM/ACM
NF850 85.00x105.00x8.00mm, FPM

1333



82.70

Petrol



F4R 700 4 Cyl. 9.8:1 1998cc 103kW (140)PS TD16306 585

ESPACE 10/98 → 10/02

--	--	--	--	--	--	--	--	--	--

BE/PL	4	48.000/48.020	51.587/51.606	20.250	1.776	0.015/0.079	EC	71-3988	71-3988/4 STD 0.25 0.50	[45]
-------	---	---------------	---------------	--------	-------	-------------	----	---------	----------------------------	------

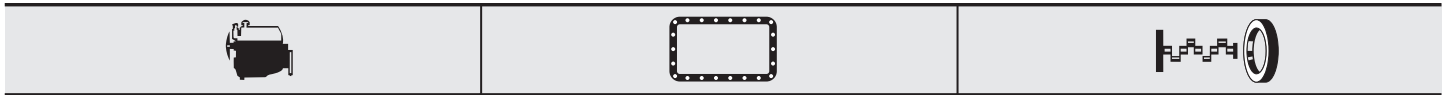
MB/HL 1-5	5	54.785/54.805	58.731/58.744	18.500	1.947	0.032/0.090	EC	72-3989	H098/5 STD 0.25 0.50
--------------	---	---------------	---------------	--------	-------	-------------	----	---------	-------------------------

TW/A	2	60.500/60.750	79.750/80.000	2.350			AL-LF	66741AF	A215/2 STD 0.10
------	---	---------------	---------------	-------	--	--	-------	---------	--------------------

SE/PB	1	21.000/21.015	23.000/23.021	24.750			BS	4064Y	55-4264 SEMI
-------	---	---------------	---------------	--------	--	--	----	-------	-----------------




...Continued

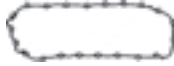
1333  **82.70** **Petrol**



 ED5991

JH5041
 =**KG5012**
 16.00x23.00x1.500mm

NA5036  42.00x54.00x6.00mm, FPM
NF850  85.00x105.00x8.00mm, FPM
NA5037  85.00x105.00x11.00mm, ACM



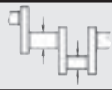
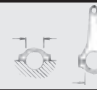








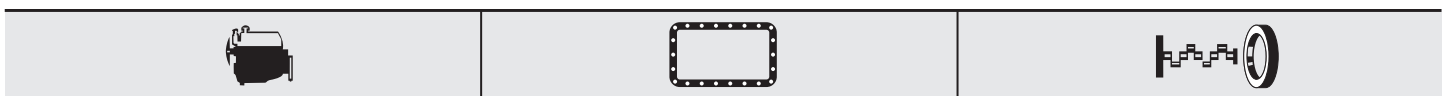
JH5041

1334  **82.70** **Petrol** 

F4R 701	4 Cyl.	9.8:1	1998cc	103kW (140)PS	TD16307	585
F4R 712	4 Cyl.	10:1	1998cc	99kW (135)PS	TD18276	586
F4R 713	4 Cyl.	9.8-10	1998cc	99kW (135)PS	TD18278	586
F4R 714	4 Cyl.	10:1	1998cc	99kW (135)PS	TD18279	586
F4R 715	4 Cyl.	9.8:1	1998cc	99kW (135)PS	TD18280	586
F4R 720	4 Cyl.	9.8:1	1998cc	88kW (120)PS	TD16359	586
F4R 722	4 Cyl.	9.8:1	1998cc	88kW (120)PS	TD16360	586
F4R 730	4 Cyl.	11:1	1998cc	124kW (168)PS	TD14334	585
F4R 738 Euro 3	4 Cyl.	11:1	1998cc	132-124kW (180-168)PS	TD19676	602
F4R 740	4 Cyl.	9.3:1	1998cc	102kW (139)PS	TD16355	602
F4R 741	4 Cyl.	9.8:1	1998cc	102kW (139)PS	TD16356	602
F4R 744	4 Cyl.	9.8:1	1998cc	102kW (139)PS	TD16340	602
F4R 770	4 Cyl.	9.8:1	1998cc	99kW (135)PS	TD16533	586
F4R 771	4 Cyl.	9.8:1	1998cc	99kW (135)PS	TD18301	586
F4R 780	4 Cyl.	9.8:1	1998cc	103kW (140)PS	TD16475	585
F4R 792	4 Cyl.	9.8:1	1998cc	100kW (136)PS	TD21197	586
F5R 740	4 Cyl.	10:1	1998cc	103kW (140)PS	TD13311	615




CLIO	02/00→	ESPACE	10/98→	GRAND SCÉNIC	04/04→
LAGUNA	09/99→	MEGANE	11/99→	SCÉNIC	09/99→
THALIA	09/01→	TRAFIC II	03/01→		

									
BE/PL	4	48.000/48.020	51.587/51.606	20.250	1.776	0.015/0.079	EC	71-3988	71-3988/4 STD 0.25 0.50 [45]
MB/HL 1-5	5	54.785/54.805	58.731/58.744	18.500	1.947	0.032/0.090	EC	72-3989	H098/5 STD 0.25 0.50
TW/A	2	60.500/60.750	79.750/80.000		2.350		AL-LF	66741AF	A215/2 STD 0.10
SE/PB	1	21.000/21.015	23.000/23.021	24.750			BS	4064Y	55-4264 SEMI



 ED5991

JH5041
 =**KG5012**
 16.00x23.00x1.500mm

NA5036  42.00x54.00x6.00mm, FPM
NF850  85.00x105.00x8.00mm, FPM
NA5037  85.00x105.00x11.00mm, ACM



JH5041

RENAULT/DACIA

1335


82.70
Petrol


F4R 732	4 Cyl.	11:1	1998cc	124kW (169)PS	TD21212	601
F4R 736	4 Cyl.	11:1	1998cc	124kW (169)PS	TD21213	601
F4R 746	4 Cyl.	10:1	1998cc	103kW (140)PS	TD21214	603
F4R 747	4 Cyl.	10:1	1998cc	103kW (140)PS	TD21215	601
F4R 872	4 Cyl.		1998cc	132kW (180)PS	TD26242	614
F4R Z 770	4 Cyl.	9.8:1	1998cc	99kW (135)PS	TD19691	

MEGANE	01/02→	MEGANE CC	06/10→	SCÉNIC	06/00→08/03
--------	--------	-----------	--------	--------	-------------

BE/PL	4	48.000/48.020	51.587/51.606	20.250	1.776	0.015/0.079	EC	71-3988	71-3988/4 STD 0.25 0.50	[45]
MB/HL 1-5	5	54.785/54.805	58.731/58.744	18.500	1.947	0.032/0.090	EC	72-3989	H098/5 STD 0.25 0.50	
TW/A	2	60.500/60.750	79.750/80.000		2.350		AL-LF	66741AF	A215/2 STD 0.10	
SE/PB	1	21.000/21.015	23.000/23.021	24.750			BS	4064Y	55-4264 SEMI	

ED5991		JH5041						NA5036	42.00x54.00x6.00mm, FPM	
								NA5037	85.00x105.00x11.00mm, ACM	
		JH5041								

1336










82.70
Petrol




F4R 760	4 Cyl.	9.5:1	1998cc	120kW (163)PS	TD16478	604
F4R 761	4 Cyl.	9.5:1	1998cc	120kW (163)PS	TD16480	604
F4R 762	4 Cyl.	9.5:1	1998cc	120kW (163)PS	TD16286	604
F4R 763	4 Cyl.	9.5:1	1998cc	120kW (163)PS	TD16376	604
F4R 764	4 Cyl.	9.5:1	1998cc	120kW (163)PS	TD18281	605
F4R 765	4 Cyl.	9.5:1	1998cc	120kW (163)PS	TD18282	605
F4R 820	4 Cyl.	9.8:1	1998cc	86kW (117)PS	TD19712	587
F4R 867	4 Cyl.	10:1	1998cc	108kW (147)PS	TD21217	611

AVANTIME	11/01→05/03	LAGUNA	01/03→	TRAFIC II	08/06→
VEL SATIS	06/02→				







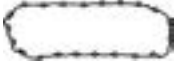
BE/PL	4	48.000/48.020	51.587/51.606	20.250	1.776	0.015/0.079	EC	71-3988	71-3988/4 STD 0.25 0.50	[45]
MB/HL 1-5	5	54.785/54.805	58.731/58.744	18.500	1.947	0.032/0.090	EC	72-3989	H098/5 STD 0.25 0.50	
TW/A	2	60.500/60.750	79.750/80.000		2.350		AL-LF	66741AF	A215/2 STD 0.10	
SE/PB	1	21.000/21.015	23.000/23.021	24.750			BS	4064Y	55-4264 SEMI	



...Continued

1336	 82.70	Petrol			
 EE5110			JH5041		NA5036  42.00x54.00x6.00mm, FPM NA5037  85.00x105.00x11.00mm, ACM
			JH5041		









1337	 82.70	Petrol			
F4R 766 Euro 4	4 Cyl.	9.5:1	1998cc	125kW (170)PS	TD19668 605
F4R 767 Euro 4	4 Cyl.	9.5:1	1998cc	125kW (170)PS	TD19669 605
F4R 774	4 Cyl.	9:1	1998cc	165kW (224)PS	TD20906 606
F4R 800	4 Cyl.	9.5:1	1998cc	150kW (204)PS	TD22188 611
F4R 811	4 Cyl.	9.5:1	1998cc	125kW (170)PS	TD22189 611
F4Rt 800 Euro 4	4 Cyl.	9:1	1998cc	150kW (204)PS	TD23054 611

LAGUNA	10/07 →	MEGANE	05/04 →	VEL SATIS	04/04 →
---------------	---------	---------------	---------	------------------	---------

 EE5110			JH5041		NA5036  42.00x54.00x6.00mm, FPM NA5037  85.00x105.00x11.00mm, ACM
			JH5041		

1338	 82.70	Petrol			
F4R 776	4 Cyl.	9.5:1	1998cc	120kW (163)PS	TD19695 607
F4R 886	4 Cyl.	9.5:1	1998cc	150kW (204)PS	TD21218 611
F4R 887	4 Cyl.	9.5:1	1998cc	150kW (204)PS	TD21219 611

GRAND SCÉNIC	04/04 →	LAGUNA	01/05 →	MEGANE	05/04 →
SCÉNIC	05/04 →				

 EE5110			JH5041 = KG5012 16.00x23.00x1.500mm		NA5036  42.00x54.00x6.00mm, FPM NF850  85.00x105.00x8.00mm, FPM NA5037  85.00x105.00x11.00mm, ACM
			JH5041		

1339


82.70
Petrol


F4R 784	4 Cyl.	9.5:1	1998cc	125kW (170)PS	TD21216	608
F4R 786	4 Cyl.	9.5:1	1998cc	120kW (163)PS	TD18283	608
F4R 787	4 Cyl.	9.5:1	1998cc	120kW (163)PS	TD18284	608
F4R 796	4 Cyl.	9.5:1	1998cc	125kW (170)PS	TD23108	607
F4R 896	4 Cyl.	9.8:1	1998cc	125kW (170)PS	TD23891	611
F4R 897	4 Cyl.	9.5:1	1998cc	125kW (170)PS	TD21220	611

ESPACE 11/02→ LAGUNA 01/03→

EE5110	JH5041 =KG5012 16.00x23.00x1.500mm JH5041	NA5036 42.00x54.00x6.00mm, FPM NA5037 85.00x105.00x11.00mm, ACM

1340


82.70
Petrol


F4R 790	4 Cyl.	9.8:1	1998cc	100kW (136)PS	TD17057	609
---------	--------	-------	--------	---------------	---------	-----

ESPACE 11/02→02/05

BE/PL	4	48.000/48.020	51.587/51.606	20.250	1.776	0.015/0.079	EC	71-3988	71-3988/4 STD 0.25 0.50 [45]
MB/HL 1-5	5	54.785/54.805	58.731/58.744	18.500	1.947	0.032/0.090	EC	72-3989	H098/5 STD 0.25 0.50
TW/A	2	60.500/60.750	79.750/80.000		2.350		AL-LF	66741AF	A215/2 STD 0.10
SE/PB	1	21.000/21.015	23.000/23.021	24.750			BS	4064Y	55-4264 SEMI

ED5991		NA5036 42.00x54.00x6.00mm, FPM NA5037 85.00x105.00x11.00mm, ACM



1341












82.70
Petrol









F4R 791	4 Cyl.	9.8:1	1998cc	100kW (136)PS	TD17058	610
---------	--------	-------	--------	---------------	---------	-----







BE/PL	4	48.000/48.020	51.587/51.606	20.250	1.776	0.015/0.079	EC	71-3988	71-3988/4 STD 0.25 0.50 [45]
MB/HL 1-5	5	54.785/54.805	58.731/58.744	18.500	1.947	0.032/0.090	EC	72-3989	H098/5 STD 0.25 0.50
TW/A	2	60.500/60.750	79.750/80.000		2.350		AL-LF	66741AF	A215/2 STD 0.10
SE/PB	1	21.000/21.015	23.000/23.021	24.750			BS	4064Y	55-4264 SEMI











ED5991		NA5037 85.00x105.00x11.00mm, ACM

1342	 82.70	Petrol				
F4R 794	4 Cyl.	9.5:1	1998cc	120kW (163)PS	TD17059	607
F4R 795	4 Cyl.	9.5:1	1998cc	120kW (163)PS	TD17060	607
F4R 797	4 Cyl.	9.5:1	1998cc	120kW (163)PS	TD17061	607
ESPACE 11/02 →						

									
BE/PL	4	48.000/48.020	51.587/51.606	20.250	1.776	0.015/0.079	EC	71-3988	71-3988/4 STD 0.25 0.50 [45]
MB/HL 1-5	5	54.785/54.805	58.731/58.744	18.500	1.947	0.032/0.090	EC	72-3989	H098/5 STD 0.25 0.50
TW/A	2	60.500/60.750	79.750/80.000		2.350		AL-LF	66741AF	A215/2 STD 0.10
SE/PB	1	21.000/21.015	23.000/23.021	24.750			BS	4064Y	55-4264 SEMI

		
 EE5110	JH5041 =KG5012 16.00x23.00x1.500mm  JH5041	NA5036  42.00x54.00x6.00mm, FPM NA5037  85.00x105.00x11.00mm, ACM

		
 EE5110		NA5036  42.00x54.00x6.00mm, FPM NA5037  85.00x105.00x11.00mm, ACM

1344	 82.70	Petrol				
F4R 830	4 Cyl.	11.5:1	1998cc	145kW (197)PS	TD20836	613
CLIO 02/06 →						
						
 ED5991	JH5041 =KG5012 16.00x23.00x1.500mm  JH5041	NA5036  42.00x54.00x6.00mm, FPM NF850  85.00x105.00x8.00mm, FPM NA5037  85.00x105.00x11.00mm, ACM				

RENAULT/DACIA

1345



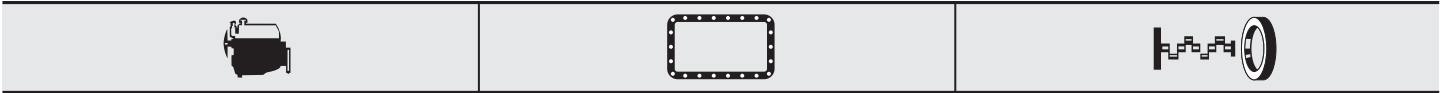
82.70

Petrol



F4R 870	4 Cyl.		1998cc	132kW (180)PS	TD23616	614
F4R 874 Euro 5	4 Cyl.	8.5:1	1998cc	184-186kW (250-253)PS	TD24254	614

MEGANE 11/08 → MEGANE CC 06/10 →



ED5991

JH5041

NA5036 42.00x54.00x6.00mm, FPM
NA5037 85.00x105.00x11.00mm, ACM



JH5041

1346



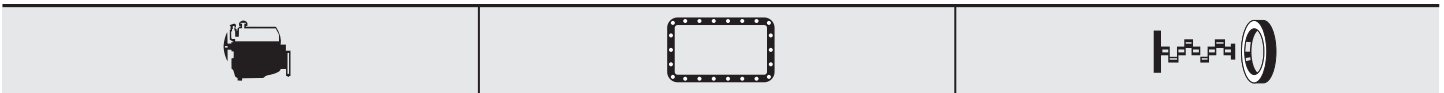
82.70

Petrol



F4Rt 774 Euro 4	4 Cyl.	9:1	1998cc	165kW (224)PS	TD21108	611
F4Rt 811 Euro 4	4 Cyl.	9.5:1	1998cc	125kW (170)PS	TD20816	611

LAGUNA 09/08 → MEGANE 05/04 →



NA5036 42.00x54.00x6.00mm, FPM
NA5037 85.00x105.00x11.00mm, ACM

1347



82.70

Petrol



F7R 700	4 Cyl.	10:1	1998cc	108-110kW (147-150)PS	TD3281	616
---------	--------	------	--------	-----------------------	--------	-----

CLIO 01/94 → 09/98



08-337700-00 STD
1.20 NT [26]
1.50 P
2.50 CR P

[26] Steel [26] Acier [26] Acciaio [26] Acero



BE/PL	4	48.000/48.020	51.587/51.606	20.250	1.776	0.015/0.079	EC	71-3988	71-3988/4 STD 0.25 0.50	[45]
-------	---	---------------	---------------	--------	-------	-------------	----	---------	----------------------------	------

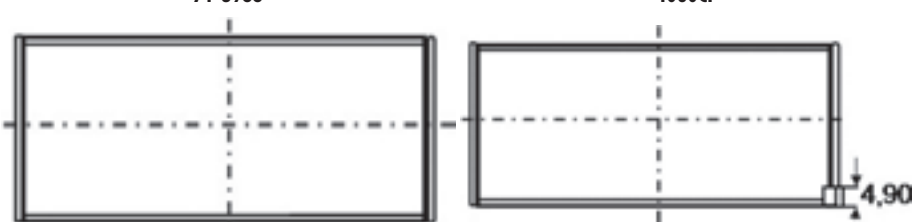
01/98 →

BE/PL	4	48.000/48.020	51.587/51.600	20.500	1.768	0.031/0.089	BS	4060CP	71-4311/4 STD 0.25 0.50
-------	---	---------------	---------------	--------	-------	-------------	----	--------	----------------------------

→12/97



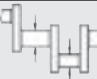








71-3988

4060CP

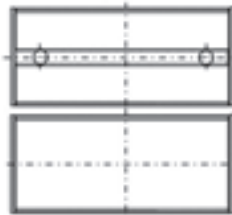


...Continued

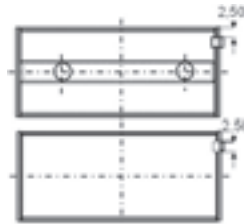
1347  **82.70** **Petrol**

										
MB/HL 1-5	5	54.785/54.805	58.731/58.744	18.500	1.947	0.032/0.090	EC	72-3989	H098/5 STD 0.25 0.50	
01/98 →										
MB/HL 1-5	5	54.785/54.795	58.731/58.744	18.500	1.945	0.046/0.094	AL-LF	66741RA	H1080/5 STD 0.25 0.50	
→ 12/97										

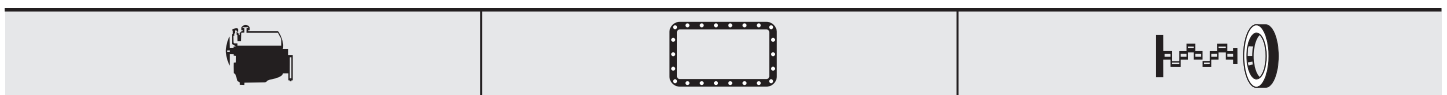
72-3989




66741RA



TW/A	2	60.500/60.750	79.750/80.000		2.350		AL-LF	66741AF	A215/2 STD 0.10	
SE/PB	1	21.000/21.015	23.000/23.021	24.750			BS	4064Y	55-4264 SEMI	





 **EL960** [42][43]

JJ557
= **PB852**
16.00x24.00x1.500mm
= **PA349**
22.00x16.00x2.000mm



JJ557

NF843  50.00x68.00x10.00mm, FPM/ACM
NF850  85.00x105.00x8.00mm, FPM

[42] Supplementary Article/Supplementary Info:
with gaskets/seals

[43] Supplementary Article/Supplementary Info 2:
without oil pan gasket

[42] Article complémentaire /
Info complémentaire: avec joints

[43] Article complémentaire / Info
complémentaire 2: sans joint de carter d'huile

[42] Artículo complementario/Información
complementaria: con juntas








[43] Artículo complementario/ Información
complementaria 2: sin junta de cárter de aceite

[42] Articolo complementare/Info
integrativa: con guarnizioni

[43] Articolo complementare/Info integrativa 2:
Senza guarnizione coppa olio

1348  **82.70** **Petrol** 

F7R 710	4 Cyl.	9.8:1	1998cc	108-110kW (147-150)PS	TD4866 617
MEGANE	03/96 → 08/03	SPORT SPIDER	03/95 → 10/99		

			
	08-337700-00 STD		
	1.20  NT [26]		
	1.50  P		
	2.50  CR P		

[26] Steel

[26] Acier

[26] Acciaio

[26] Acero

1348



82.70

Petrol

BE/PL	4	48.000/48.020	51.587/51.606	20.250	1.776	0.015/0.079	EC	71-3988	71-3988/4 STD 0.25 0.50	[45]

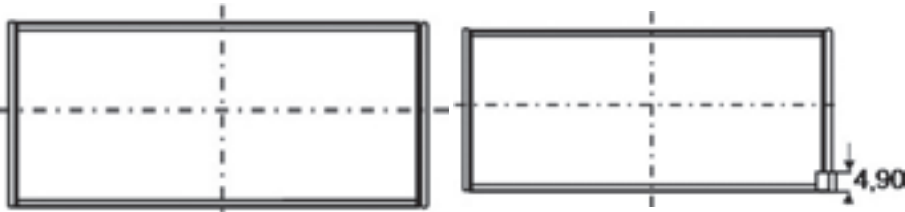
01/98 →

BE/PL	4	48.000/48.020	51.587/51.600	20.500	1.768	0.031/0.089	BS	4060CP	71-4311/4 STD 0.25 0.50	
-------	---	---------------	---------------	--------	-------	-------------	----	--------	-----------------------------------	--

→12/97

71-3988

4060CP



MB/HL 1-5	5	54.785/54.805	58.731/58.744	18.500	1.947	0.032/0.090	EC	72-3989	H098/5 STD 0.25 0.50	
--------------	---	---------------	---------------	--------	-------	-------------	----	---------	--------------------------------	--

01/98 →

MB/HL 1-5	5	54.785/54.795	58.731/58.744	18.500	1.945	0.046/0.094	AL-LF	66741RA	H1080/5 STD 0.25 0.50	
--------------	---	---------------	---------------	--------	-------	-------------	-------	---------	---------------------------------	--

→12/97

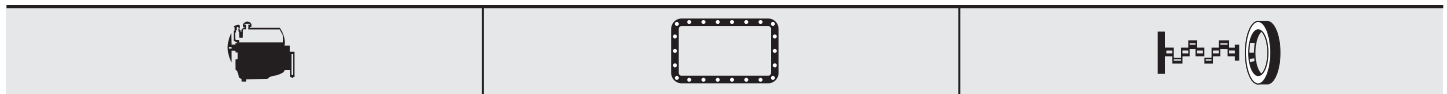
72-3989

66741RA



TW/A	2	60.500/60.750	79.750/80.000		2.350		AL-LF	66741AF	A215/2 STD 0.10	
------	---	---------------	---------------	--	-------	--	-------	---------	---------------------------	--

SE/PB	1	21.000/21.015	23.000/23.021	24.750			BS	4064Y	55-4264 SEMI	
-------	---	---------------	---------------	--------	--	--	----	-------	------------------------	--



EL960 [42][43]

JJ557

NF843 50.00x68.00x10.00mm, FPM/ACM
NF850 85.00x105.00x8.00mm, FPM
NA5037 85.00x105.00x11.00mm, ACM



JJ557

[42] Supplementary Article/Supplementary Info:
with gaskets/seals

[42] Article complémentaire /
Info complémentaire: avec joints

[42] Artículo complementario/Información
complementaria: con juntas

[42] Articolo complementare/Info
integrativa: con guarnizioni

[43] Supplementary Article/Supplementary Info 2:
without oil pan gasket

[43] Article complémentaire / Info
complémentaire 2: sans joint de carter d'huile

[43] Artículo complementario/ Información
complementaria 2: sin junta de cárter de aceite

[43] Articolo complementare/Info integrativa 2:
Senza guarnizione coppa olio

1349


82.70
Petrol

F7R 714

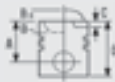
4 Cyl.

9.8:1

1998cc

108kW (147)PS
TD16278
617
MEGANE

03/96→08/03



08-337700-00 STD

1.20 NT [26]
 1.50 P
 2.50 CR P

[26] Steel

[26] Acier

[26] Acciaio

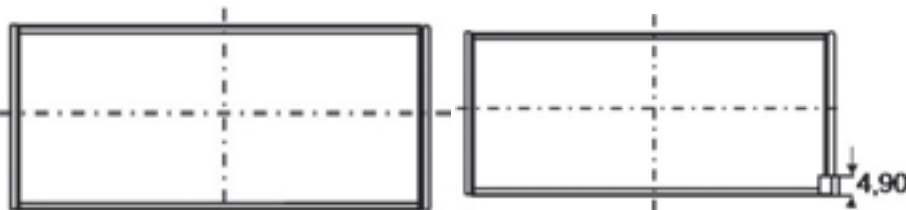
[26] Acero



BE/PL	4	48.000/48.020	51.587/51.606	20.250	1.776	0.015/0.079	EC	71-3988	71-3988/4 STD 0.25 0.50	[45]
-------	---	---------------	---------------	--------	-------	-------------	----	---------	-----------------------------------	------

01/98→

BE/PL	4	48.000/48.020	51.587/51.600	20.500	1.768	0.031/0.089	BS	4060CP	71-4311/4 STD 0.25 0.50
-------	---	---------------	---------------	--------	-------	-------------	----	--------	-----------------------------------

→12/97
71-3988
4060CP


MB/HL 1-5	5	54.785/54.805	58.731/58.744	18.500	1.947	0.032/0.090	EC	72-3989	H098/5 STD 0.25 0.50
--------------	---	---------------	---------------	--------	-------	-------------	----	---------	--------------------------------

01/98→

MB/HL 1-5	5	54.785/54.795	58.731/58.744	18.500	1.945	0.046/0.094	AL-LF	66741RA	H1080/5 STD 0.25 0.50
--------------	---	---------------	---------------	--------	-------	-------------	-------	---------	---------------------------------

→12/97
72-3989
66741RA


TW/A	2	60.500/60.750	79.750/80.000		2.350		AL-LF	66741AF	A215/2 STD 0.10
SE/PB	1	21.000/21.015	23.000/23.021	24.750			BS	4064Y	55-4264 SEMI

1349	82.70	Petrol			
			JH5041		NA5036 42.00x54.00x6.00mm, FPM NF850 85.00x105.00x8.00mm, FPM NA5037 85.00x105.00x11.00mm, ACM
			JH5041		

1350	82.70	Petrol			
F7R 720	4 Cyl.	9.8:1	1998cc	110kW (150)PS	TD23894 618
EL960 [42][43]			JJ557		NF843 50.00x68.00x10.00mm, FPM/ACM NF850 85.00x105.00x8.00mm, FPM
			JJ557		

[42] Supplementary Article/Supplementary Info: with gaskets/seals
[43] Supplementary Article/Supplementary Info 2: without oil pan gasket

[42] Article complémentaire / Info complémentaire: avec joints
[43] Article complémentaire / Info complémentaire 2: sans joint de carter d'huile

[42] Artículo complementario/Información complementaria: con juntas
[43] Artículo complementario/ Información complementaria 2: sin junta de cárter de aceite

[42] Articolo complementare/Info integrativa: con guarnizioni
[43] Articolo complementare/Info integrativa 2: Senza guarnizione coppa olio

1351	83.00	Petrol			
N7Q 700	4 Cyl.	10.5:1	1948cc	102kW (139)PS	TD5529 619
N7Q 704	4 Cyl.	10.5:1	1948cc	102kW (139)PS	TD5530 619
LAGUNA	06/95→03/01				

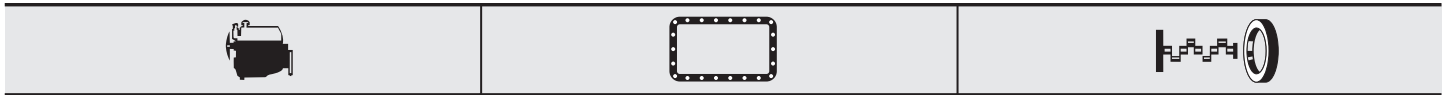
	08-104500-00 STD		
	1.20 NT [26]		
	1.50 P		
	2.50 CR [26]		

[26] Steel [26] Acier [26] Acciaio [26] Acero

BE/PL	4	49.984/50.000	53.000/53.013	19.500	1.496	0.020/0.064	EC	71-3754	71-3754/4 STD 0.25
MB/HL 1,2,4,5	4	64.987/65.000	69.000/69.014	19.600	1.994	0.020/0.064	AL-LF	02-3755	H046/5 STD 0.25
MB/HL 3	1	64.987/65.000	69.000/69.014	25.880	1.998	0.020/0.056	AL-LF	02-3756H	
02-3756H		STD	25,960/1.0221" - 26,000/1.0237"						
		0.25MM	25,960/1.0221" - 26,000/1.0237"						
SE/PB	1	23.000	26.000/26.025	25.200			BC	55-3783	55-3783 SEMI

...Continued

1351  **83.00** **Petrol**



EA5620 [42] **KJ647** **NA5018**  35.00x47.00x5.60mm, FPM
18.30x24.00x2.000mm **NA5017**  98.00x110.00x8.50mm, FPM




[42] Supplementary Article/Supplementary Info: with gaskets/seals [42] Article complémentaire / Info complémentaire: avec joints [42] Artículo complementario/Información complementaria: con juntas [42] Articolo complementare/Info integrativa: con guarnizioni

1352  **83.00** **Petrol** 



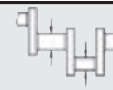
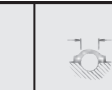
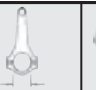






N7Q 710	4 Cyl.	10.5:1	1948cc	100kW (136)PS	TD5547	620
N7Q 711	4 Cyl.	10.5:1	1948cc	100kW (136)PS	TD5548	620

SAFRANE 07/96 → 12/00



08-104500-00 STD
1.20  NT [26]
1.50  P
2.50  CR [26]

[26] Steel [26] Acier [26] Acciaio [26] Acero

										
BE/PL	4	49.984/50.000	53.000/53.013	19.500	1.496	0.020/0.064	EC	71-3754	71-3754/4 STD 0.25	
MB/HL 1,2,4,5	4	64.987/65.000	69.000/69.014	19.600	1.994	0.020/0.064	AL-LF	02-3755	H046/5 STD 0.25	
MB/HL 3	1	64.987/65.000	69.000/69.014	25.880	1.998	0.020/0.056	AL-LF	02-3756H		
02-3756H		STD	25,960/1.0221" - 26,000/1.0237"							
		0.25MM	25,960/1.0221" - 26,000/1.0237"							
SE/PB	1	23.000	26.000/26.025	25.200			BC	55-3783	55-3783 SEMI	



NA5017  98.00x110.00x8.50mm, FPM

RENAULT/DACIA

1353


83.00
Petrol


N7U 700	5 Cyl.	10.5:1	2435cc	121kW (164)PS	TD5551	621
N7U 701	5 Cyl.	10.5:1	2435cc	121kW (164)PS	TD5552	621

SAFRANE 07/96→12/00

BE/PL	5	49.984/50.000	53.000/53.013	19.500	1.496	0.020/0.064	EC	71-3754	71-3754/5 STD 0.25 0.50
MB/HL 1-3, 5,6	5	64.987/65.000	69.000/69.014	19.600	1.994	0.020/0.064	AL-LF	02-3755	H046/6 STD 0.25
MB/HL 4	1	64.987/65.000	69.000/69.014	25.880	1.998	0.020/0.056	AL-LF	02-3756H	
02-3756H		STD	25,960/1.0221" - 26,000/1.0237"						
		0.25MM	25,960/1.0221" - 26,000/1.0237"						
SE/PB	1	23.000	26.000/26.025	25.200			BC	55-3783	55-3783 SEMI

		NA5018 35.00x47.00x5.60mm, FPM

1354


84.00
Diesel




M9R 610	4 Cyl.	15.5:1	1995cc	118kW (160)PS	TD23557	622
M9R 615	4 Cyl.	15.5:1	1995cc	110kW (150)PS	TD23559	622
M9R 832	4 Cyl.	15.7:1	1995cc	110kW (150)PS	TD22207	624
M9Ra 742 Euro 4	4 Cyl.	16:1	1995cc	96-110kW (131-150)PS	TD20818	627

GRAND SCÉNIC 02/09→ **MEGANE** 04/09→ **MEGANE CC** 06/10→
SCÉNIC 02/09→



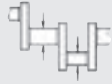
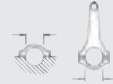






		08-422000-00 STD 08-422007-00 0.50mm 2.50 MOL P 2.00 MOL P 2.00 CR P	




MB/HL 1-5	5	55.985/56.005	59.998/60.011	19.500	1.984	0.035/0.088	AL-LF	02-4560L	H1243/5 STD
MB/HL 1-5	5	55.985/56.005	59.998/60.011	17.200	1.984	0.035/0.088	AL-LF	02-4560U	
TW/A	2	65.600/65.850	84.000/84.250		2.700		AL-LF	04-4822	A297/2 STD
SE/PB	1	31.994/32.000	34.985/35.010	23.700			BS-LF	55-4562	55-4562 SEMI
SE/PB	1	29.995/30.000	33.000/33.025	23.700			BS-LF	55-4821	55-4821 SEMI

EG9760		

1355	 84.00	Diesel			
M9R 630	4 Cyl.	15.5:1	1995cc	66-84kW (90-114)PS	TD26729
M9R 692 Euro 5	4 Cyl.	15.5:1	1995cc	84kW (114)PS	TD26569
M9R 784	4 Cyl.	15.6:1	1995cc	84kW (114)PS	TD25141 624
M9R 788	4 Cyl.	15.6:1	1995cc	84kW (114)PS	TD25142
M9R 804	4 Cyl.		1995cc	127kW (173)PS	TD26134 625
M9R 805 Euro 4	4 Cyl.	16:1	1995cc	110kW (150)PS	TD26244 622
M9R 814	4 Cyl.	15.7:1	1995cc	110kW (150)PS	TD26247 625
M9R 815	4 Cyl.	15.7:1	1995cc	110-127kW (150-173)PS	TD26531 626
M9R 817	4 Cyl.		1995cc	127kW (173)PS	TD26135 625
M9R 820	4 Cyl.	15.7:1	1995cc	131kW (178)PS	TD26532 625
M9R 824	4 Cyl.	15.7:1	1995cc	110kW (150)PS	TD26073 625
M9R 833	4 Cyl.	15.7:1	1995cc	110kW (150)PS	TD26252 624
M9R 844	4 Cyl.	15.7:1	1995cc	127kW (173)PS	TD26533 625
M9R 845	4 Cyl.	15.7:1	1995cc	110kW (150)PS	TD26254
M9R 846	4 Cyl.	15.7:1	1995cc	110kW (150)PS	TD26534 625
M9R 849	4 Cyl.	15.7:1	1995cc	110kW (150)PS	TD26253
M9R 855	4 Cyl.	15.7:1	1995cc	110kW (150)PS	TD26248 625
M9R 856	4 Cyl.	15.7:1	1995cc	110kW (150)PS	TD26249 625
M9R 862	4 Cyl.	15.7:1	1995cc	110kW (150)PS	TD26255 625
M9R 864	4 Cyl.	15.7:1	1995cc	127kW (173)PS	TD26256
M9R 865	4 Cyl.	15.7:1	1995cc	110kW (150)PS	TD26250 625
M9R 866	4 Cyl.	15.7:1	1995cc	110kW (150)PS	TD26251 625

ESPACE	01/06 →	KOLEOS	09/08 →	LAGUNA	10/07 →
LATITUDE	02/11 →	TRAFIC II	08/06 →		

									
MB/HL 1-5	5	55.985/56.005	59.998/60.011	19.500	1.984	0.035/0.088	AL-LF	02-4560L	H1243/5 STD
MB/HL 1-5	5	55.985/56.005	59.998/60.011	17.200	1.984	0.035/0.088	AL-LF	02-4560U	
TW/A	2	65.600/65.850	84.000/84.250		2.700		AL-LF	04-4822	A297/2 STD
SE/PB	1	31.994/32.000	34.985/35.010	23.700			BS-LF	55-4562	55-4562 SEMI
SE/PB	1	29.995/30.000	33.000/33.025	23.700			BS-LF	55-4821	55-4821 SEMI

		
---	---	---

 EG9760

RENAULT/DACIA

1356



84.00

Diesel



M9R 700	4 Cyl.	15.7:1	1995cc	110kW (150)PS	TD20708	623
M9R 721	4 Cyl.	15.7:1	1995cc	110kW (150)PS	TD23502	623
M9R 722	4 Cyl.	15.7:1	1995cc	110kW (150)PS	TD23503	623
M9R 724	4 Cyl.	15.7:1	1995cc	127kW (173)PS	TD22195	622
M9R 740	4 Cyl.	16:1	1995cc	110kW (150)PS	TD19680	623
M9R 742	4 Cyl.	15.7:1	1995cc	110kW (150)PS	TD23504	622
M9R 744	4 Cyl.	15.7:1	1995cc	110kW (150)PS	TD23505	622
M9R 746	4 Cyl.	15.7:1	1995cc	110kW (150)PS	TD23506	624
M9R 748	4 Cyl.	15.7:1	1995cc	110kW (150)PS	TD23507	624
M9R 750	4 Cyl.	15.7:1	1995cc	110kW (150)PS	TD23508	623
M9R 760	4 Cyl.	16:1	1995cc	110kW (150)PS	TD19681	622
M9R 761	4 Cyl.	15.7:1	1995cc	127kW (173)PS	TD23899	622
M9R 762	4 Cyl.	15.7:1	1995cc	127kW (173)PS	TD23900	622
M9R 763	4 Cyl.	15.7:1	1995cc	127kW (173)PS	TD23901	622
M9R 780 Euro 4	4 Cyl.	16:1	1995cc	84-66kW (114-90)PS	TD19714	623
M9R 782	4 Cyl.	15.7:1	1995cc	66kW (90)PS	TD23109	623
M9R 786 Euro 4	4 Cyl.	15.7:1	1995cc	66kW (90)PS	TD24966	625
M9R 800	4 Cyl.		1995cc	127kW (173)PS	TD22196	622
M9R 802	4 Cyl.	15.7:1	1995cc	96kW (131)PS	TD22197	622
M9R 809	4 Cyl.		1995cc	127kW (173)PS	TD22198	622
M9R 816	4 Cyl.	15.7:1	1995cc	127-132kW (173-180)PS	TD22199	622
M9R 830	4 Cyl.	15.7:1	1995cc	127kW (173)PS	TD22206	622

ESPACE	01/06→	GRAND SCÉNIC	09/05→	KOLEOS	09/08→
LAGUNA	08/05→	MEGANE	09/05→	SCÉNIC	09/05→
TRAFIC II	08/06→	VEL SATIS	08/05→		

87-422000-00 87-422007-00	STD 0.50mm		08-422000-00 08-422007-00	STD 0.50mm			
A 47.92 B- 14.90 BØ 49.07 C 0.40 C 0.40 D 76.00 			2.50 MOL P 2.00 MOL P 2.00 CR P				
KK RT TP							

MB/HL 1-5	5	55.985/56.005	59.998/60.011	19.500	1.984	0.035/0.088	AL-LF	02-4560L	H1243/5 STD
MB/HL 1-5	5	55.985/56.005	59.998/60.011	17.200	1.984	0.035/0.088	AL-LF	02-4560U	
TW/A	2	65.600/65.850	84.000/84.250		2.700		AL-LF	04-4822	A297/2 STD
SE/PB	1	31.994/32.000	34.985/35.010	23.700			BS-LF	55-4562	55-4562 SEMI
SE/PB	1	29.995/30.000	33.000/33.025	23.700			BS-LF	55-4821	55-4821 SEMI

EG9760		

1357


84.00
Diesel


M9R A 700 Euro 4	4 Cyl.	15.7:1	1995cc	110kW (150)PS	TD19684
M9R B 721 Euro 4	4 Cyl.	15.7:1	1995cc	110kW (150)PS	TD19685

	08-422000-00 STD 08-422007-00 0.50mm 2.50 MOL P 2.00 MOL P 2.00 CR P		

MB/HL 1-5	5	55.985/56.005	59.998/60.011	19.500	1.984	0.035/0.088	AL-LF	02-4560L	H1243/5 STD	
MB/HL 1-5	5	55.985/56.005	59.998/60.011	17.200	1.984	0.035/0.088	AL-LF	02-4560U		
TW/A	2	65.600/65.850	84.000/84.250		2.700		AL-LF	04-4822	A297/2 STD	
SE/PB	1	31.994/32.000	34.985/35.010	23.700			BS-LF	55-4562	55-4562 SEMI	
SE/PB	1	29.995/30.000	33.000/33.025	23.700			BS-LF	55-4821	55-4821 SEMI	

1358


84.00
Diesel


M9R B 610	4 Cyl.	15.5:1	1995cc	118kW (160)PS	TD23556
M9R C 613	4 Cyl.	15.1:1	1995cc	110kW (150)PS	TD23570
M9R C 615	4 Cyl.	15.5:1	1995cc	110kW (150)PS	TD23558
M9R C 830	4 Cyl.	15.7:1	1995cc	110kW (150)PS	TD20968
M9R D 833	4 Cyl.	15.7:1	1995cc	110kW (150)PS	TD20967
M9R G 832	4 Cyl.	15.7:1	1995cc	110kW (150)PS	TD20966
M9Rk 800 Euro 4	4 Cyl.	16:1	1995cc	127kW (173)PS	TD20821
M9Rk 802 Euro 4	4 Cyl.	16:1	1995cc	96-110kW (131-150)PS	TD20819
M9Rk 805 Euro 4	4 Cyl.	16:1	1995cc	110kW (150)PS	TD20820
M9Rk 806 Euro 4	4 Cyl.	16:1	1995cc	127kW (173)PS	TD23055
M9Rk 816 Euro 4	4 Cyl.	16:1	1995cc	131kW (178)PS	TD23056

MB/HL 1-5	5	55.985/56.005	59.998/60.011	19.500	1.984	0.035/0.088	AL-LF	02-4560L	H1243/5 STD	
MB/HL 1-5	5	55.985/56.005	59.998/60.011	17.200	1.984	0.035/0.088	AL-LF	02-4560U		
TW/A	2	65.600/65.850	84.000/84.250		2.700		AL-LF	04-4822	A297/2 STD	
SE/PB	1	31.994/32.000	34.985/35.010	23.700			BS-LF	55-4562	55-4562 SEMI	
SE/PB	1	29.995/30.000	33.000/33.025	23.700			BS-LF	55-4821	55-4821 SEMI	

RENAULT/DACIA

1359



85.00

Diesel



M9T 670 Euro 5	4 Cyl.	16:1	2298cc	74-92kW (101-125)PS	TD24269	631
M9T 672 Euro 5	4 Cyl.	16:1	2298cc	74-92kW (101-125)PS	TD25154	631
M9T 676 Euro 4	4 Cyl.	16:1	2298cc	74-92kW (101-125)PS	TD24268	631
M9T 678	4 Cyl.	16:1	2298cc	107kW (146)PS	TD25158	631
M9T 680	4 Cyl.	16:1	2298cc	107kW (146)PS	TD24295	631
M9T 686 Euro 5	4 Cyl.	16:1	2298cc	92kW (125)PS	TD25151	631
M9T 690 Euro 5	4 Cyl.	16:1	2298cc	92kW (125)PS	TD24270	631
M9T 692 Euro 4	4 Cyl.	16:1	2298cc	92kW (125)PS	TD24271	631
M9T 694 Euro 4	4 Cyl.	16:1	2298cc	107kW (146)PS	TD24272	631
M9T 696 Euro 4	4 Cyl.	16:1	2298cc	92-107kW (125-146)PS	TD25150	631
M9T 698 Euro 5	4 Cyl.	16:1	2298cc	107kW (146)PS	TD24273	631

MASTER 02/10 →

	<p>08-435200-00 STD 08-435207-00 0.50mm</p> <p>2.50 GDC P 2.00 MO P 2.00 CR P</p> <p>GDC </p>		

BE/PL	1	53.000/53.020	56.587/56.606	19.000	1.781	0.046/0.069	SP-LF	71-4940	71-4940 STD [44]
MB/HL 1-5	5	59.985/60.005	63.998/64.011	19.500	1.986	0.029/0.082	AL-LF	02-4939L	H1327/5 STD
MB/HL 1-5	5	59.985/60.005	63.998/64.011	17.200	1.986	0.029/0.082	AL-LF	02-4939U	
TW/A	2	65.600/65.850	84.000/84.250		2.700		AL-LF	04-4822	A297/2 STD
SE/PB	1	31.994/32.000	34.985/35.010	23.700			BS-LF	55-4562	55-4562 SEMI

EG9760			

1360



86.00

Petrol



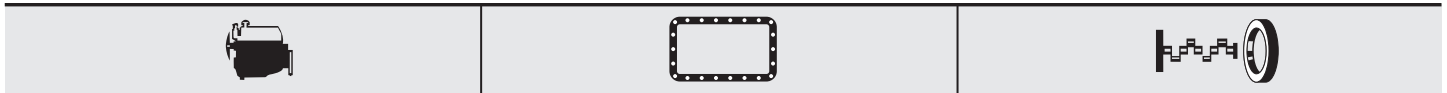
FSR 700	4 Cyl.	10:1	1998cc	103kW (140)PS	TD16369	632
FSR 701	4 Cyl.	10:1	1998cc	103kW (140)PS	TD21228	633

LAGUNA 04/01 →

BE/PL	4	48.000/48.020	51.587/51.606	20.250	1.776	0.015/0.079	EC	71-3988	71-3988/4 STD 0.25 0.50 [45]
MB/HL 1-5	5	54.785/54.805	58.731/58.744	18.500	1.947	0.032/0.090	EC	72-3989	H098/5 STD 0.25 0.50
TW/A	2	60.500/60.750	79.750/80.000		2.350		AL-LF	66741AF	A215/2 STD 0.10
SE/PB	1	21.000/21.015	23.000/23.021	24.750			BS	4064Y	55-4264 SEMI




...Continued

1360  **86.00** **Petrol**





 ED5991

JH5041
KG5012
 16.00x23.00x1.500mm

NA5036  42.00x54.00x6.00mm, FPM
NF850  85.00x105.00x8.00mm, FPM
NA5037  85.00x105.00x11.00mm, ACM



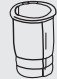
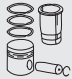



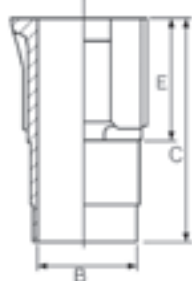


JH5041

1361  **86.00** **Diesel** 

852	4 Cyl.	21.5:1	2068cc	47kW (64)PS	TD3077	634
852 720	4 Cyl.	21.5:1	2068cc	43-44kW (58-60)PS	TD3079	636
852 750	4 Cyl.	21.5:1	2068cc	43-44kW (58-60)PS	TD3080	636

20 10/80 → 12/83 **TRAFIC** 03/80 → 06/94











			
	<p>08-334700-10 STD 08-334704-10 0.20mm 08-334707-10 0.50mm</p> <p>2.00  MO P 2.00  P 4.00  CR P</p>	<p>14-000320-00 W [37] B 93.60 C 166.00 E 93.05</p> 	

[37] Phosphated

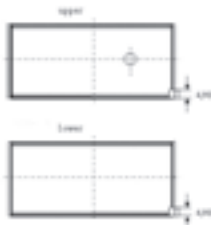
[37] Phosphated

[37] Phosphated

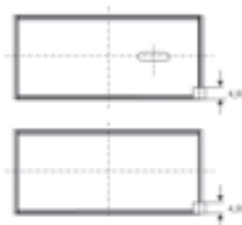
[37] Phosphated

									
BE/PL	4	56.267/56.286	60.005/60.019	20.750	1.842	0.035/0.093	AL-LF	66635RA	01-4189/4 STD 0.25
BE/PL	4	56.267/56.286	60.005/60.019	20.750	1.842	0.035/0.093	AL-LF	66645RA	01-4191/4 STD 0.25
BE/PL	4	56.267/56.286	60.005/60.019	20.750	1.842	0.035/0.093	AL-LF	66645RAA	01-4192/4 STD 0.25

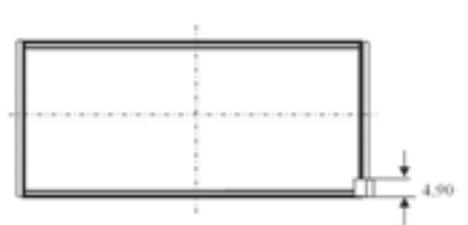
66635RA



66645RA



66645RAA



1361



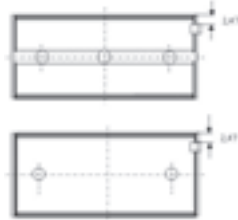
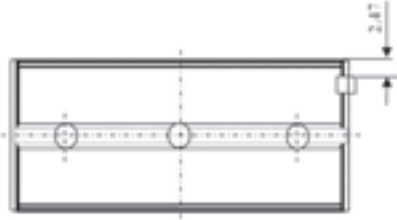
86.00

Diesel

MB/HL 1-5	5	62.873/62.892	66.668/66.687	23.500	1.884	0.020/0.071	AL-LF	66507RA	H1052/5 STD 0.25
MB/HL 1-5	5	62.861/62.880	66.668/66.687	23.250	1.884	0.030/0.093	AL-LF	66646RA	H1058/5 STD 0.25

66507RA

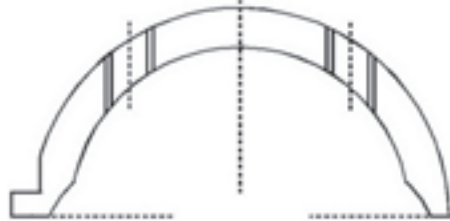
66646RA



TW/A	2	71.450	88.090	2.850	BS	66506BF	A208/2 STD
TW/A	2	71.450	88.090	2.850	BS	66646BF	A210/2 STD

66506 BF

66646BF



SE/PB	1	28.002/28.010	30.000/30.021	25.250	BS	66649RY	55-4294 SEMI
-------	---	---------------	---------------	--------	----	---------	------------------------

--	--	--

EG176 [41][42]

JJ558
(Felt)
=PB852
16.00x24.00x1.500mm
=PA349
22.00x16.00x2.000mm

NF843 50.00x68.00x10.00mm, FPM/ACM
NF844 90.00x110.00x11.00mm, FPM/ACM



JJ558

[41] Supplementary Article/Supplementary Info 2:
With cylinder sleeve ring

[41] Article complémentaire / Info complémentaire 2:
avec deux bagues de chemises de cylindre

[41] Artículo complementario/ Información
complementaria 2: con segmentos para camisa

[41] Articolo complementare/Info integrativa 2:
Con anello tenuta canna cilindro

[42] Supplementary Article/Supplementary Info:
with gaskets/seals

[42] Article complémentaire /
Info complémentaire: avec joints

[42] Artículo complementario/Información
complementaria: con juntas

[42] Articolo complementare/Info
integrativa: con guarnizioni

1362



86.00

Diesel



852 J85	4 Cyl.		2068cc	63kW (85)PS	TD3081	635
J85 600	4 Cyl.	21.5:1	2068cc	53kW (72)PS	TD3388	638
J85 740	4 Cyl.	21.5:1	2068cc	53kW (72)PS	TD3398	638
J85 758	4 Cyl.	21.5:1	2068cc	47kW (64)PS	TD5565	648

21	05/89 → 06/94	TRAFIC	06/94 → 10/97
-----------	---------------	---------------	---------------

87-337100-00 STD	08-337100-00 STD	14-000320-00 W [37] B 93.60 C 166.00 E 93.05	89-337100-00 87-337100-00 + 14-000320-00
A 50.95 B- 2.20 D 87.95 28x75			
	2.25 P PS 2.00 P 3.00 CR P		

[37] Phosphated

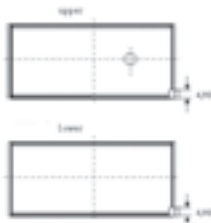
[37] Phosphated

[37] Phosphated

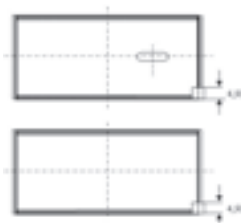
[37] Phosphated

BE/PL	4	56.267/56.286	60.005/60.019	20.750	1.842	0.035/0.093	AL-LF	66635RA	01-4189/4 STD 0.25
BE/PL	4	56.267/56.286	60.005/60.019	20.750	1.842	0.035/0.093	AL-LF	66645RA	01-4191/4 STD 0.25
BE/PL	4	56.267/56.286	60.005/60.019	20.750	1.842	0.035/0.093	AL-LF	66645RAA	01-4192/4 STD 0.25

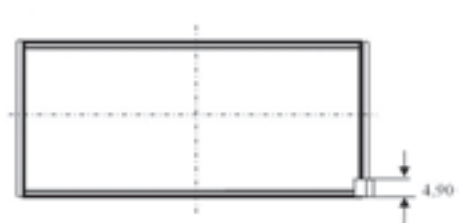
66635RA



66645RA

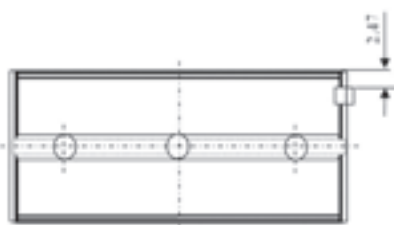


66645RAA

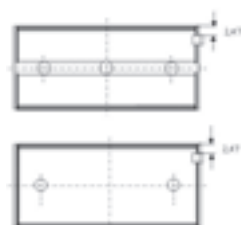


MB/HL 1-5	5	62.873/62.892	66.668/66.687	23.500	1.884	0.020/0.071	AL-LF	66507RA	H1052/5 STD 0.25
MB/HL 1-5	5	62.861/62.880	66.668/66.687	23.250	1.884	0.030/0.093	AL-LF	66646RA	H1058/5 STD 0.25

66507RA



66646RA



RENAULT/DACIA

...Continued

1362



86.00

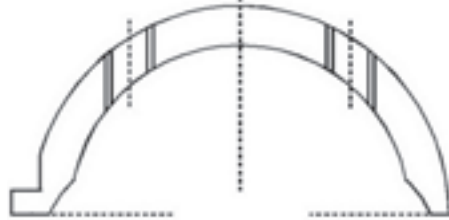
Diesel

TW/A	2	71.450	88.090		2.850		BS	66506BF	A208/2 STD
TW/A	2	71.450	88.090		2.850		BS	66646BF	A210/2 STD

66506 BF



66646BF



SE/PB	1	28.002/28.010	30.000/30.021	25.250			BS	66649RY	55-4294 SEMI
-------	---	---------------	---------------	--------	--	--	----	---------	-----------------



NF843 50.00x68.00x10.00mm, FPM/ACM

1363



86.00

Diesel



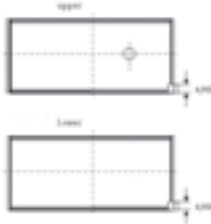
852 710	4 Cyl.	21.5:1	2068cc	49kW (67)PS	TD3078	636
---------	--------	--------	--------	-------------	--------	-----

18	11/80 → 07/86
----	---------------

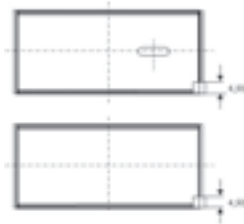
			<p>08-334700-10 STD</p> <p>08-334704-10 0.20mm</p> <p>08-334707-10 0.50mm</p>					
			<p>2.00 MO P</p> <p>2.00 P</p> <p>4.00 CR P</p>					

BE/PL	4	56.267/56.286	60.005/60.019	20.750	1.842	0.035/0.093	AL-LF	66635RA	01-4189/4 STD 0.25
BE/PL	4	56.267/56.286	60.005/60.019	20.750	1.842	0.035/0.093	AL-LF	66645RA	01-4191/4 STD 0.25
BE/PL	4	56.267/56.286	60.005/60.019	20.750	1.842	0.035/0.093	AL-LF	66645RAA	01-4192/4 STD 0.25

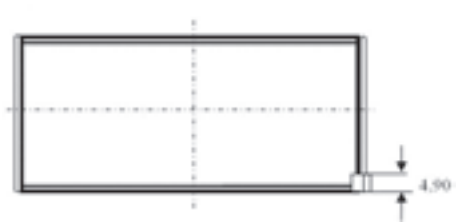
66635RA



66645RA



66645RAA



...Continued

1363



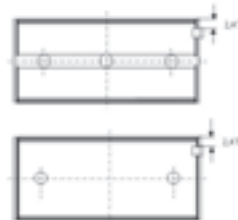
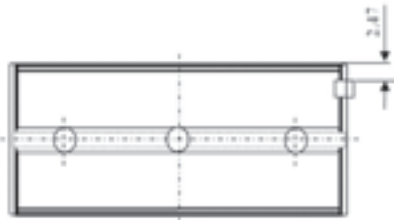
86.00

Diesel

MB/HL 1-5	5	62.873/62.892	66.668/66.687	23.500	1.884	0.020/0.071	AL-LF	66507RA	H1052/5 STD 0.25
MB/HL 1-5	5	62.861/62.880	66.668/66.687	23.250	1.884	0.030/0.093	AL-LF	66646RA	H1058/5 STD 0.25

66507RA

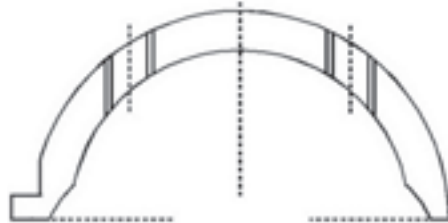
66646RA



TW/A	2	71.450	88.090	2.850	BS	66506BF	A208/2 STD
TW/A	2	71.450	88.090	2.850	BS	66646BF	A210/2 STD

66506 BF

66646BF




SE/PB	1	28.002/28.010	30.000/30.021	25.250	BS	66649RY	55-4294 SEMI
-------	---	---------------	---------------	--------	----	---------	------------------------



NF843 50.00x68.00x10.00mm, FPM/ACM

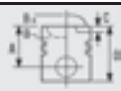


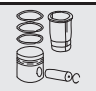






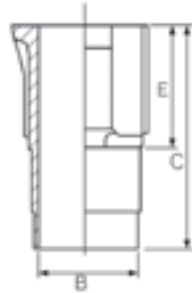
1364











 **86.00**

Diesel

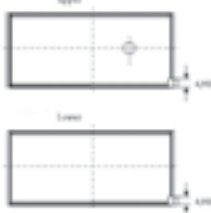


J8S 120	4 Cyl.	21.5:1	2068cc	65-66kW (88-90)PS	TD3383	637
J8S 232 (852.232)	4 Cyl.	21:1	2068cc	43kW (58)PS	TD3384	635
J8S 234	4 Cyl.	21:1	2068cc	57kW (77)PS	TD3385	637
J8S 742	4 Cyl.	21.5:1	2068cc	65kW (88)PS	TD3399	639
J8S 746	4 Cyl.	21.5:1	2068cc	65kW (88)PS	TD3400	639
J8S 814	4 Cyl.	21.5:1	2068cc	65kW (88)PS	TD21257	637
J8S 890	4 Cyl.	21.5:1	2068cc	65kW (88)PS	TD21258	637

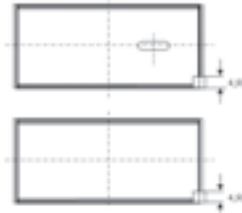
			
	<p>08-335400-00 STD →12/90</p> <p>2.50  P PS 2.50  P 4.00  CR P</p> <p>08-337000-00 STD 01/91→</p> <p>2.50  P PS 2.50  P 3.00  CR P</p>	<p>14-000320-00 W [37] B 93.60 C 166.00 E 93.05</p> 	
[37] Phosphated	[37] Phosphated	[37] Phosphated	[37] Phosphated

									
BE/PL	4	56.267/56.286	60.005/60.019	20.750	1.842	0.035/0.093	AL-LF	66635RA	01-4189/4 STD 0.25
BE/PL	4	56.267/56.286	60.005/60.019	20.750	1.842	0.035/0.093	AL-LF	66645RA	01-4191/4 STD 0.25
BE/PL	4	56.267/56.286	60.005/60.019	20.750	1.842	0.035/0.093	AL-LF	66645RAA	01-4192/4 STD 0.25

66635RA



66645RA



66645RAA



MB/HL
1-5

5 | 62.873/62.892

66.668/66.687

23.500

1.884

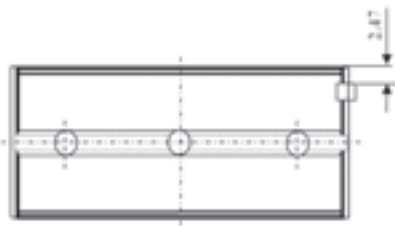
0.020/0.071

AL-LF

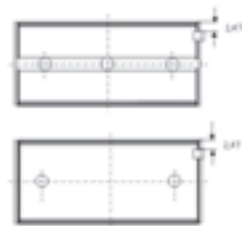
66507RA

H1052/5
STD 0.25

66507RA



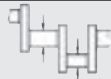









66646RA



...Continued

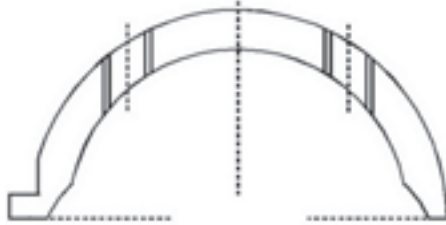
1364  **86.00 Diesel**

									
TW/A	2	71.450	88.090		2.850		BS	66506BF	A208/2 STD
TW/A	2	71.450	88.090		2.850		BS	66646BF	A210/2 STD





66506 BF



66646BF





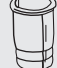





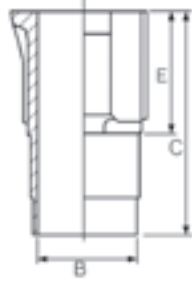



SE/PB	1	28.002/28.010	30.000/30.021	25.250			BS	66649RY	55-4294 SEMI
-------	---	---------------	---------------	--------	--	--	----	---------	-----------------

		
		NF843  50.00x68.00x10.00mm, FPM/ACM

1365  **86.00 Diesel** 

J8S 240	4 Cyl.	21.5:1	2068cc	65kW (88)PS	TD3386	638
J8S 774	4 Cyl.	21.5:1	2068cc	65kW (88)PS	TD3403	638

ESPACE 10/84 → 12/90

			
[38]	08-337000-00 STD 01/91 →	14-000320-00 W [37] B 93.60 C 166.00 E 93.05	89-337000-00
A 51.01 B- 4.00 D 92.90  28x68	2.50  P PS 2.50  P 3.00  CR P		
	08-335400-00 STD → 12/90		
	2.50  P PS 2.50  P 4.00  CR P		

[37] Phosphated

[37] Phosphated

[37] Phosphated

[37] Phosphated

[38] Piston available in Kit Set only

[38] Chemise disponible en kit seulement

[38] I pistoni sono disponibili solo in kit motore

[38] Pistón disponible en conjuntos solamente

1365

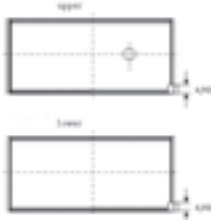


86.00

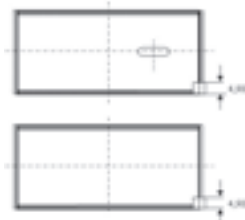
Diesel

BE/PL	4	56.267/56.286	60.005/60.019	20.750	1.842	0.035/0.093	AL-LF	66635RA	01-4189/4 STD 0.25
BE/PL	4	56.267/56.286	60.005/60.019	20.750	1.842	0.035/0.093	AL-LF	66645RA	01-4191/4 STD 0.25
BE/PL	4	56.267/56.286	60.005/60.019	20.750	1.842	0.035/0.093	AL-LF	66645RAA	01-4192/4 STD 0.25

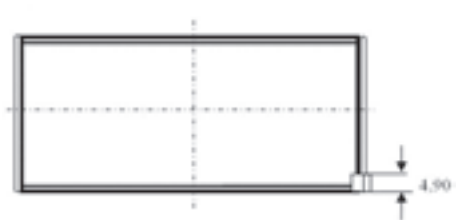
66635RA



66645RA



66645RAA



MB/HL
1-5

5

62.873/62.892

66.668/66.687

23.500

1.884

0.020/0.071

AL-LF

66507RA

H1052/5
STD 0.25

MB/HL
1-5

5

62.861/62.880

66.668/66.687

23.250

1.884

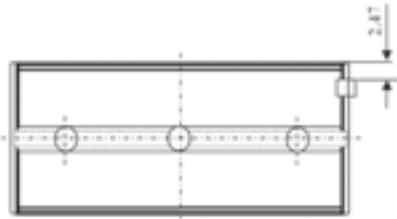
0.030/0.093

AL-LF

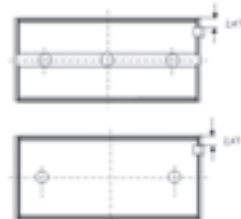
66646RA

H1058/5
STD 0.25

66507RA



66646RA



TW/A

2

71.450

88.090

2.850

BS

66506BF

A208/2
STD

TW/A

2

71.450

88.090

2.850

BS

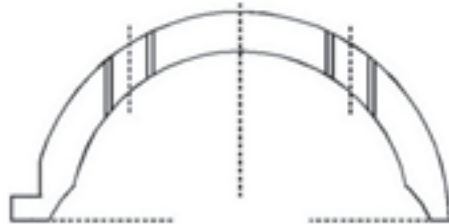
66646BF

A210/2
STD

66506 BF



66646BF



SE/PB

1

28.002/28.010

30.000/30.021





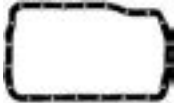



25.250


BS










66649RY

55-4294
SEMI

...Continued

1365  86.00 Diesel			
			
EG176 [41][42] With cylinder sleeve ring [42] Supplementary Article/Supplementary Info: with gaskets/seals	JJ558 (Felt) JJ559 (Steel Elastomer) ⇒ PB852 16.00x24.00x1.500mm ⇒ PA349 22.00x16.00x2.000mm  JJ558  JJ559	NF843  50.00x68.00x10.00mm, FPM/ACM NF844  90.00x110.00x11.00mm, FPM/ACM	
[41] Supplementary Article/Supplementary Info: With cylinder sleeve ring [42] Supplementary Article/Supplementary Info: with gaskets/seals	[41] Article complémentaire / Info complémentaire 2: avec deux bagues de chemises de cylindre [42] Article complémentaire / Info complémentaire: avec joints	[41] Artículo complementario/ Información complementaria 2: con segmentos para camisa [42] Artículo complementario/Información complementaria: con juntas	[41] Articolo complementare/Info integrativa 2: Con anello tenuta canna cilindro [42] Articolo complementare/Info integrativa: con guarnizioni

1366  86.00 Diesel						
J8S 330	4 Cyl.	21.5:1	2068cc	44kW (60)PS	TD3387	638
J8S 712	4 Cyl.	21.5:1	2068cc	65kW (88)PS	TD3394	638
18	11/81→07/86	FUEGO	08/82→10/85	MASTER	08/80→07/98	

				
87-337100-00 STD		88-337100-00 STD	14-000320-00 W [37] B 93.60 C 166.00 E 93.05	89-337100-00 87-337100-00 + 14-000320-00
A 50.95 B- 2.20 D 87.95  28x75		2.25  P PS 2.00  P 3.00  CR P		
[37] Phosphated	[37] Phosphated	[37] Phosphated	[37] Phosphated	

1366

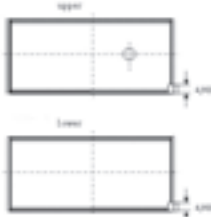


86.00

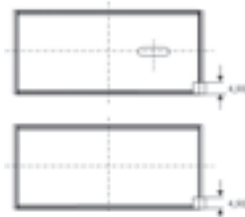
Diesel

BE/PL	4	56.267/56.286	60.005/60.019	20.750	1.842	0.035/0.093	AL-LF	66635RA	01-4189/4 STD 0.25
BE/PL	4	56.267/56.286	60.005/60.019	20.750	1.842	0.035/0.093	AL-LF	66645RA	01-4191/4 STD 0.25
BE/PL	4	56.267/56.286	60.005/60.019	20.750	1.842	0.035/0.093	AL-LF	66645RAA	01-4192/4 STD 0.25

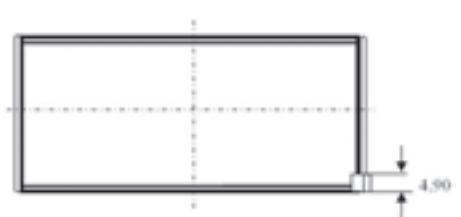
66635RA



66645RA

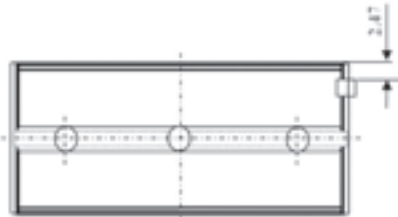


66645RAA

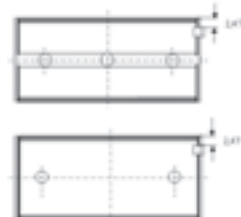


MB/HL 1-5	5	62.873/62.892	66.668/66.687	23.500	1.884	0.020/0.071	AL-LF	66507RA	H1052/5 STD 0.25
MB/HL 1-5	5	62.861/62.880	66.668/66.687	23.250	1.884	0.030/0.093	AL-LF	66646RA	H1058/5 STD 0.25

66507RA



66646RA

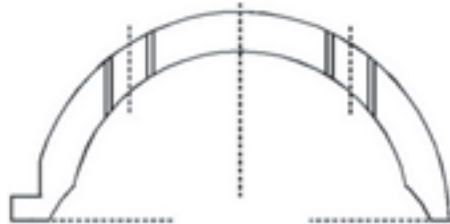


TW/A	2	71.450	88.090		2.850		BS	66506BF	A208/2 STD
TW/A	2	71.450	88.090		2.850		BS	66646BF	A210/2 STD

66506 BF









66646BF



SE/PB	1	28.002/28.010	30.000/30.021	25.250			BS	66649RY	55-4294 SEMI
-------	---	---------------	---------------	--------	--	--	----	---------	------------------------

...Continued

1366  **86.00 Diesel**

		
<p>EG176 [41][42]</p> <p>With cylinder sleeve ring</p> <p>[42] Supplementary Article/Supplementary Info: with gaskets/seals</p>	<p>JJ558 (Felt) = PB852 16.00x24.00x1.500mm = PA349 22.00x16.00x2.000mm</p>  <p>JJ558</p>	<p>NF843  50.00x68.00x10.00mm, FPM/ACM NF844  90.00x110.00x11.00mm, FPM/ACM</p>

[41] Supplementary Article/Supplementary Info 2: With cylinder sleeve ring
 [42] Supplementary Article/Supplementary Info: with gaskets/seals

[41] Article complémentaire / Info complémentaire 2: avec deux bagues de chemises de cylindre
 [42] Article complémentaire / Info complémentaire: avec joints













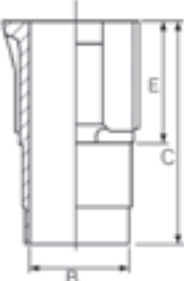
[41] Artículo complementario/ Información complementaria 2: con segmentos para camisa
 [42] Artículo complementario/Información complementaria: con juntas

[41] Articolo complementare/Info integrativa 2: Con anello tenuta canna cilindro
 [42] Articolo complementare/Info integrativa: con guarnizioni


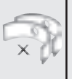








1367  **86.00 Diesel**

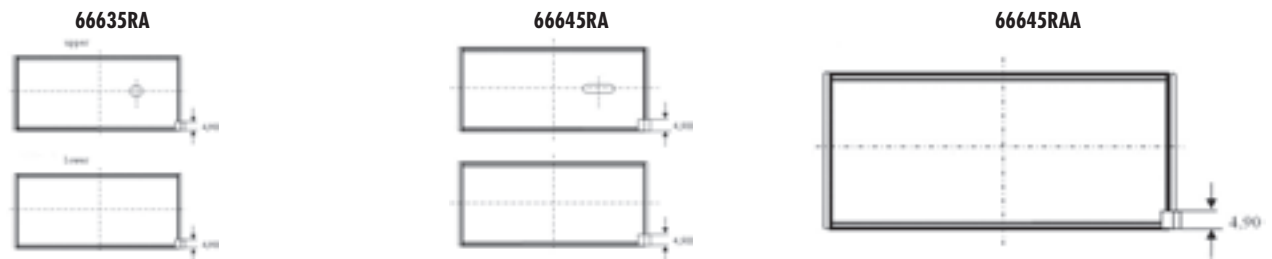
J8S 604	4 Cyl.	21.5:1	2068cc	65kW (88)PS	TD3389	639
J8S 786	4 Cyl.	21.5:1	2068cc	65kW (88)PS	TD3407	649

21 03/86 → 06/94

			
<p>[38]</p> <p>A 51.01 B- 3.80 D 84.00  28x68</p> 	<p>08-337000-00 STD 01/91 →</p> <p>2.50  P PS 2.50  P 3.00  CR P</p> <p>08-335400-00 STD →12/90</p> <p>2.50  P PS 2.50  P 4.00  CR P</p>	<p>14-000320-00 W [37] B 93.60 C 166.00 E 93.05</p> 	<p>89-337000-10</p>

[37] Phosphated [37] Phosphated [37] Phosphated [37] Phosphated
 [38] Piston available in Kit Set only [38] Chemise disponible en kit seulement [38] I pistoni sono disponibili solo in kit motore [38] Pistón disponible en conjuntos solamente

									
BE/PL	4	56.267/56.286	60.005/60.019	20.750	1.842	0.035/0.093	AL-LF	66635RA	01-4189/4 STD 0.25
BE/PL	4	56.267/56.286	60.005/60.019	20.750	1.842	0.035/0.093	AL-LF	66645RA	01-4191/4 STD 0.25
BE/PL	4	56.267/56.286	60.005/60.019	20.750	1.842	0.035/0.093	AL-LF	66645RAA	01-4192/4 STD 0.25



RENAULT/DACIA

...Continued

1367



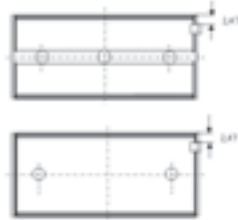
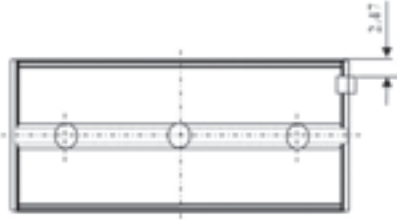
86.00

Diesel

MB/HL 1-5	5	62.873/62.892	66.668/66.687	23.500	1.884	0.020/0.071	AL-LF	66507RA	H1052/5 STD 0.25
MB/HL 1-5	5	62.861/62.880	66.668/66.687	23.250	1.884	0.030/0.093	AL-LF	66646RA	H1058/5 STD 0.25

66507RA

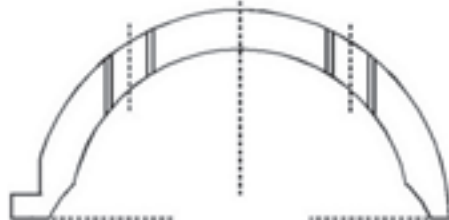
66646RA



TW/A	2	71.450	88.090	2.850	BS	66506BF	A208/2 STD
TW/A	2	71.450	88.090	2.850	BS	66646BF	A210/2 STD

66506 BF

66646BF



SE/PB	1	28.002/28.010	30.000/30.021	25.250	BS	66649RY	55-4294 SEMI
-------	---	---------------	---------------	--------	----	---------	------------------------



NF843 50.00x68.00x10.00mm, FPM/ACM

1368



86.00

Diesel



J8S 610 4 Cyl. 21.5:1 2068cc **65kW (88)PS** **TD3390 640**

SPACE 01/91 → 10/96

[38]	08-337000-00 STD 01/91→	14-000320-00 W [37] B 93.60 C 166.00 E 93.05	89-337000-10
A 51.01 B- 3.80 D 84.00 28x68	2.50 P PS 2.50 P 3.00 CR P		
	08-335400-00 STD →12/90		
	2.50 P PS 2.50 P 4.00 CR P		

[37] Phosphated

[37] Phosphated

[37] Phosphated

[37] Phosphated

[38] Piston available in Kit Set only

[38] Chemise disponible en kit seulement

[38] I pistoni sono disponibili solo in kit motore

[38] Pistón disponible en conjuntos solamente

...Continued

1368

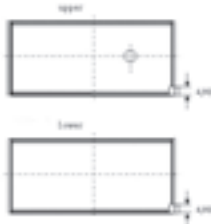


86.00

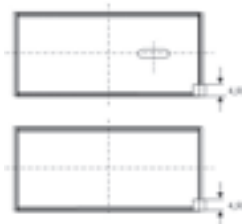
Diesel

BE/PL	4	56.267/56.286	60.005/60.019	20.750	1.842	0.035/0.093	AL-LF	66635RA	01-4189/4 STD 0.25
BE/PL	4	56.267/56.286	60.005/60.019	20.750	1.842	0.035/0.093	AL-LF	66645RA	01-4191/4 STD 0.25
BE/PL	4	56.267/56.286	60.005/60.019	20.750	1.842	0.035/0.093	AL-LF	66645RAA	01-4192/4 STD 0.25

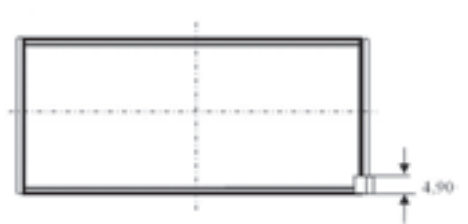
66635RA



66645RA

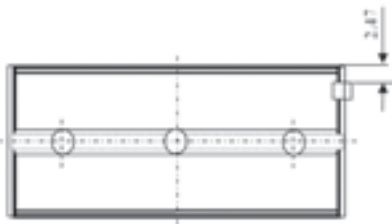


66645RAA

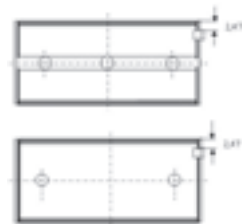


MB/HL 1-5	5	62.873/62.892	66.668/66.687	23.500	1.884	0.020/0.071	AL-LF	66507RA	H1052/5 STD 0.25
MB/HL 1-5	5	62.861/62.880	66.668/66.687	23.250	1.884	0.030/0.093	AL-LF	66646RA	H1058/5 STD 0.25

66507RA



66646RA

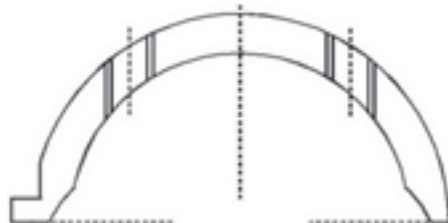


TW/A	2	71.450	88.090		2.850		BS	66506BF	A208/2 STD
TW/A	2	71.450	88.090		2.850		BS	66646BF	A210/2 STD

66506 BF



66646BF



SE/PB	1	28.002/28.010	30.000/30.021	25.250			BS	66649RY	55-4294 SEMI
-------	---	---------------	---------------	--------	--	--	----	---------	------------------------

--	--	--

EG176 [41][42]

PB852

16.00x24.00x1.500mm

PA349

22.00x16.00x2.000mm

NF843 50.00x68.00x10.00mm, FPM/ACM

[41] Supplementary Article/Supplementary Info 2:
With cylinder sleeve ring

[42] Supplementary Article/Supplementary Info:
with gaskets/seals

[41] Article complémentaire / Info complémentaire 2:
avec deux bagues de chemises de cylindre

[42] Article complémentaire /
Info complémentaire: avec joints

[41] Artículo complementario/ Información
complementaria 2: con segmentos para camisa

[42] Artículo complementario/Información
complementaria: con juntas

[41] Articolo complementare/Info integrativa 2:
Con anello tenuta canna cilindro

[42] Articolo complementare/Info
integrativa: con guarnizioni

1369

86.00

Diesel



J8S 612	4 Cyl.	21.5:1	2068cc	66kW (89)PS	TD5525	641
SPACE		11/94→10/96				

[38]	08-337000-00 STD 01/91→	14-000320-00 W [37] B 93.60 C 166.00 E 93.05	89-337000-10
A 51.01 B- 3.80 D 84.00 28x68	2.50 P PS 2.50 P 3.00 CR P		
	08-335400-00 STD →12/90		
	2.50 P PS 2.50 P 4.00 CR P		

[37] Phosphated

[37] Phosphated

[37] Phosphated

[37] Phosphated

[38] Piston available in Kit Set only

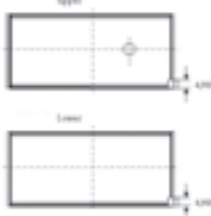
[38] Chemise disponible en kit seulement

[38] I pistoni sono disponibili solo in kit motore

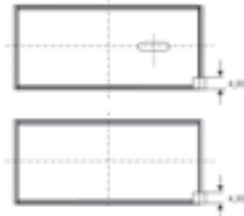
[38] Pistón disponible en conjuntos solamente

BE/PL	4	56.267/56.286	60.005/60.019	20.750	1.842	0.035/0.093	AL-LF	66635RA	01-4189/4 STD 0.25
BE/PL	4	56.267/56.286	60.005/60.019	20.750	1.842	0.035/0.093	AL-LF	66645RA	01-4191/4 STD 0.25
BE/PL	4	56.267/56.286	60.005/60.019	20.750	1.842	0.035/0.093	AL-LF	66645RAA	01-4192/4 STD 0.25

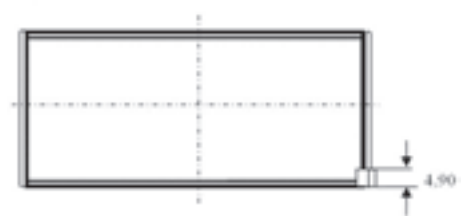
66635RA



66645RA



66645RAA



MB/HL
1-5

5 | 62.873/62.892

66.668/66.687

23.500 | 1.884

0.020/0.071

AL-LF

66507RA

H1052/5
STD 0.25

MB/HL
1-5

5 | 62.861/62.880

66.668/66.687

23.250 | 1.884

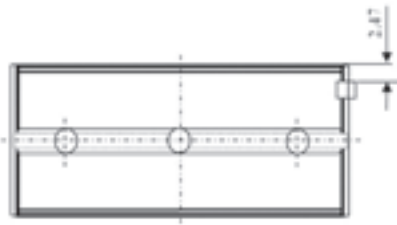
0.030/0.093

AL-LF

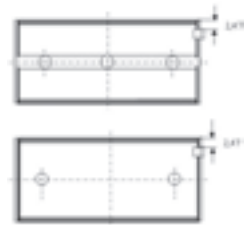
66646RA

H1058/5
STD 0.25

66507RA



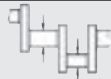









66646RA



...Continued

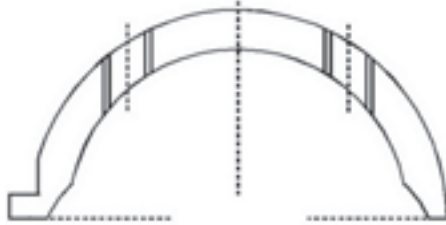
1369  **86.00** **Diesel**

									
TW/A	2	71.450	88.090		2.850		BS	66506BF	A208/2 STD
TW/A	2	71.450	88.090		2.850		BS	66646BF	A210/2 STD

66506 BF



66646BF



SE/PB

1

28.002/28.010




30.000/30.021

25.250

BS



66649RY

55-4294
SEMI

		
---	---	---

 **EG176** [41][42]

JJ558
(Felt)
JJ559
(Steel Elastomer)
= **PB852**
16.00x24.00x1.500mm
= **PA349**
22.00x16.00x2.000mm

NF843  50.00x68.00x10.00mm, FPM/ACM
NF844  90.00x110.00x11.00mm, FPM/ACM



JJ558



JJ559

[41] Supplementary Article/Supplementary Info 2:
With cylinder sleeve ring
[42] Supplementary Article/Supplementary Info:
with gaskets/seals

[41] Article complémentaire / Info complémentaire 2:
avec deux bagues de chemises de cylindre
[42] Article complémentaire /
Info complémentaire: avec joints

[41] Artículo complementario/ Información
complementaria 2: con segmentos para camisa
[42] Artículo complementario/Información
complementaria: con juntas

[41] Articolo complementare/Info integrativa 2:
Con anello tenuta canna cilindro
[42] Articolo complementare/Info
integrativa: con guarnizioni

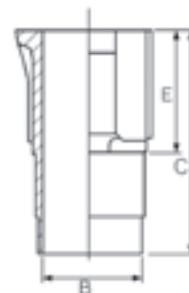
1370  **86.00** **Diesel** 

J8S 620	4 Cyl.	21.5:1	2068cc	47kW (64)PS	TD5564	642
J8S 711	4 Cyl.	21.5:1	2068cc	49kW (67)PS	TD5431	644

18 05/79→07/86 **TRAFIC** 06/94→04/98

			
---	---	---	---

14-000320-00 W [37]
B 93.60 C 166.00 E 93.05



[37] Phosphated

[37] Phosphated

[37] Phosphated

[37] Phosphated

1370

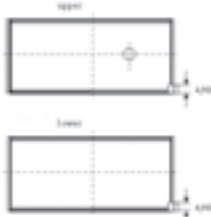


86.00

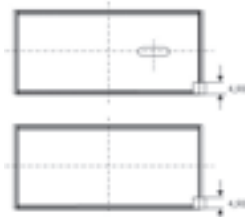
Diesel

BE/PL	4	56.267/56.286	60.005/60.019	20.750	1.842	0.035/0.093	AL-LF	66635RA	01-4189/4 STD 0.25
BE/PL	4	56.267/56.286	60.005/60.019	20.750	1.842	0.035/0.093	AL-LF	66645RA	01-4191/4 STD 0.25
BE/PL	4	56.267/56.286	60.005/60.019	20.750	1.842	0.035/0.093	AL-LF	66645RAA	01-4192/4 STD 0.25

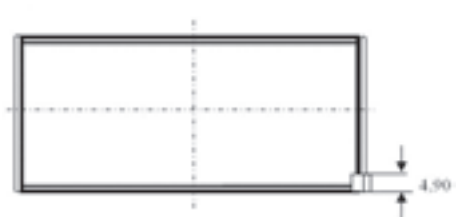
66635RA



66645RA

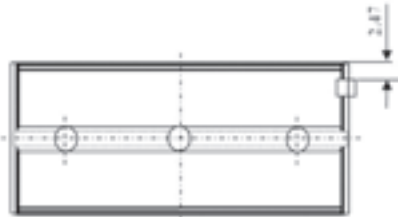


66645RAA

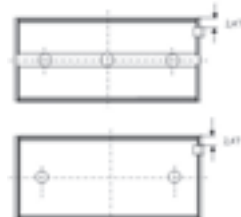


MB/HL 1-5	5	62.873/62.892	66.668/66.687	23.500	1.884	0.020/0.071	AL-LF	66507RA	H1052/5 STD 0.25
MB/HL 1-5	5	62.861/62.880	66.668/66.687	23.250	1.884	0.030/0.093	AL-LF	66646RA	H1058/5 STD 0.25

66507RA



66646RA

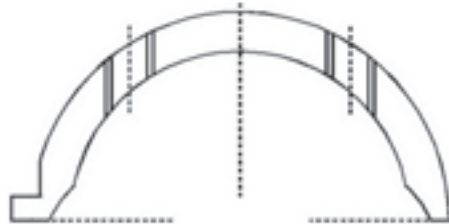


TW/A	2	71.450	88.090		2.850		BS	66506BF	A208/2 STD
TW/A	2	71.450	88.090		2.850		BS	66646BF	A210/2 STD

66506 BF



66646BF



SE/PB	1	28.002/28.010	30.000/30.021	25.250			BS	66649RY	55-4294 SEMI
-------	---	---------------	---------------	--------	--	--	----	---------	------------------------



NF843 50.00x68.00x10.00mm, FPM/ACM

1371

86.00

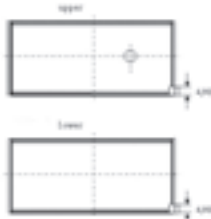
Diesel



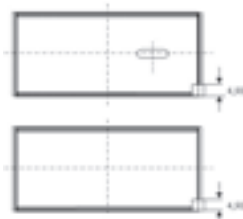
J85 622	4 Cyl.	21.5:1	2068cc	47kW (64)PS	TD23794
J85 800	4 Cyl.	21.5:1	2068cc	44kW (60)PS	TD26568

BE/PL	4	56.267/56.286	60.005/60.019	20.750	1.842	0.035/0.093	AL-LF	66635RA	01-4189/4 STD 0.25	
BE/PL	4	56.267/56.286	60.005/60.019	20.750	1.842	0.035/0.093	AL-LF	66645RA	01-4191/4 STD 0.25	
BE/PL	4	56.267/56.286	60.005/60.019	20.750	1.842	0.035/0.093	AL-LF	66645RAA	01-4192/4 STD 0.25	

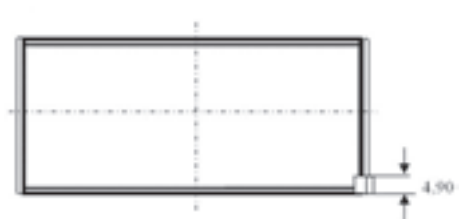
66635RA



66645RA

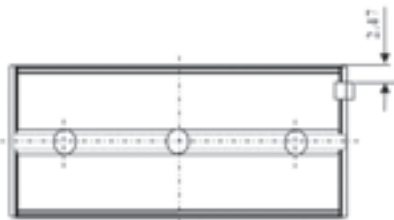


66645RAA

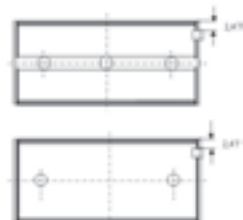


MB/HL 1-5	5	62.873/62.892	66.668/66.687	23.500	1.884	0.020/0.071	AL-LF	66507RA	H1052/5 STD 0.25
MB/HL 1-5	5	62.861/62.880	66.668/66.687	23.250	1.884	0.030/0.093	AL-LF	66646RA	H1058/5 STD 0.25

66507RA



66646RA

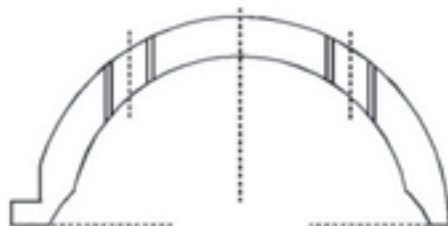


TW/A	2	71.450	88.090		2.850		BS	66506BF	A208/2 STD
TW/A	2	71.450	88.090		2.850		BS	66646BF	A210/2 STD

66506 BF



66646BF



SE/PB	1	28.002/28.010	30.000/30.021	25.250			BS	66649RY	55-4294 SEMI
-------	---	---------------	---------------	--------	--	--	----	---------	------------------------

1372



86.00

Diesel



J8S 702	4 Cyl.	21.5:1	2068cc	63kW (86)PS	TD3382	638
20	01/82→12/83	30	02/82→03/86			

[38]	08-337000-00 STD 01/91→	14-000320-00 W [37] B 93.60 C 166.00 E 93.05	89-337000-00
A 51.01 B- 4.00 D 92.90 28x68	2.50 P PS 2.50 P 3.00 CR P		
	08-335400-00 STD →12/90		
	2.50 P PS 2.50 P 4.00 CR P		

[37] Phosphated

[37] Phosphated

[37] Phosphated

[37] Phosphated

[38] Piston available in Kit Set only

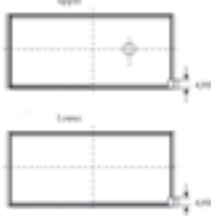
[38] Chemise disponible en kit seulement

[38] I pistoni sono disponibili solo in kit motore

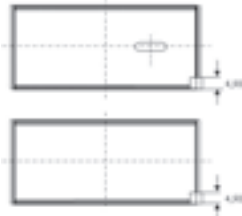
[38] Pistón disponible en conjuntos solamente

BE/PL	4	56.267/56.286	60.005/60.019	20.750	1.842	0.035/0.093	AL-LF	66635RA	01-4189/4 STD 0.25	
BE/PL	4	56.267/56.286	60.005/60.019	20.750	1.842	0.035/0.093	AL-LF	66645RA	01-4191/4 STD 0.25	
BE/PL	4	56.267/56.286	60.005/60.019	20.750	1.842	0.035/0.093	AL-LF	66645RAA	01-4192/4 STD 0.25	

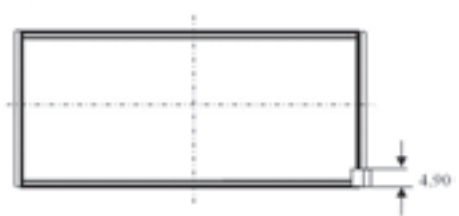
66635RA



66645RA



66645RAA



MB/HL
1-5

5 62.873/62.892

66.668/66.687

23.500 1.884

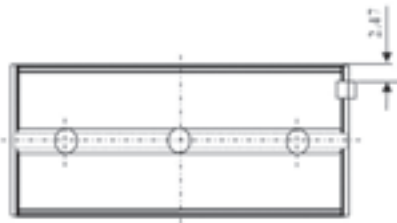
0.020/0.071

AL-LF

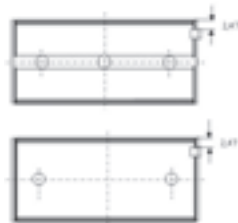
66507RA

H1052/5
STD 0.25

66507RA













66646RA



...Continued

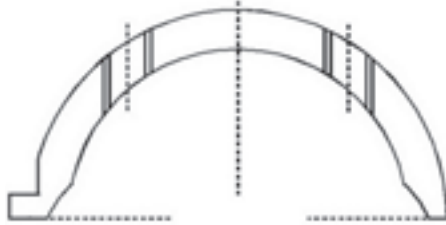
1372  **86.00** **Diesel**

									
TW/A	2	71.450	88.090		2.850		BS	66506BF	A208/2 STD
TW/A	2	71.450	88.090		2.850		BS	66646BF	A210/2 STD

66506 BF



66646BF



SE/PB

1

28.002/28.010




30.000/30.021


25.250

BS

66649RY

55-4294
SEMI

		
---	---	---

 **EG176** [41][42]

JJ558

(Felt)

→ **PB852**

16.00x24.00x1.500mm

→ **PA349**

22.00x16.00x2.000mm



JJ558

NF843  50.00x68.00x10.00mm, FPM/ACM

NF844  90.00x110.00x11.00mm, FPM/ACM

[41] Supplementary Article/Supplementary Info 2:
With cylinder sleeve ring

[42] Supplementary Article/Supplementary Info:
with gaskets/seals

[41] Article complémentaire / Info complémentaire 2:
avec deux bagues de chemises de cylindre

[42] Article complémentaire /
Info complémentaire: avec joints

[41] Artículo complementario/ Información
complementaria 2: con segmentos para camisa

[42] Artículo complementario/Información
complementaria: con juntas

[41] Articolo complementare/Info integrativa 2:
Con anello tenuta canna cilindro

[42] Articolo complementare/Info
integrativa: con guarnizioni

1373  **86.00** **Diesel** 

J8S 704	4 Cyl.	21.5:1	2068cc	48-49kW (65-67)PS	TD3391	643
J8S 784	4 Cyl.	21.5:1	2068cc	51kW (69)PS	TD3406	638

21 03/86 → 09/95

			
---	---	---	---

87-337100-00

STD

08-337100-00

STD

14-000320-00 W [37]

B 93.60 C 166.00

E 93.05

89-337100-00

87-337100-00 +
14-000320-00

A 50.95

B- 2.20

D 87.95

 **28x75**



2.25

2.00

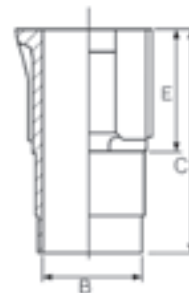
3.00



P PS

P

CR P



[37] Phosphated

[37] Phosphated

[37] Phosphated

[37] Phosphated

1373

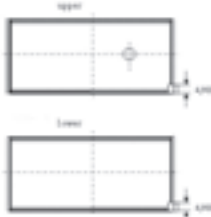


86.00

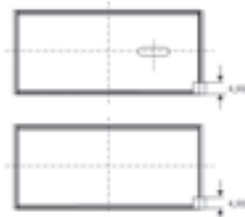
Diesel

BE/PL	4	56.267/56.286	60.005/60.019	20.750	1.842	0.035/0.093	AL-LF	66635RA	01-4189/4 STD 0.25
BE/PL	4	56.267/56.286	60.005/60.019	20.750	1.842	0.035/0.093	AL-LF	66645RA	01-4191/4 STD 0.25
BE/PL	4	56.267/56.286	60.005/60.019	20.750	1.842	0.035/0.093	AL-LF	66645RAA	01-4192/4 STD 0.25

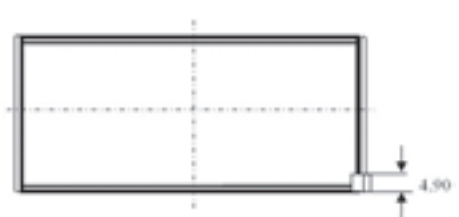
66635RA



66645RA

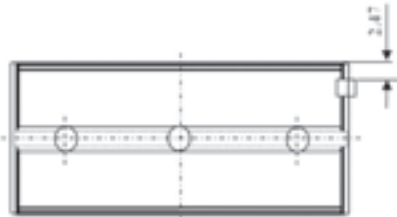


66645RAA

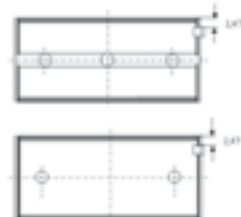


MB/HL 1-5	5	62.873/62.892	66.668/66.687	23.500	1.884	0.020/0.071	AL-LF	66507RA	H1052/5 STD 0.25
MB/HL 1-5	5	62.861/62.880	66.668/66.687	23.250	1.884	0.030/0.093	AL-LF	66646RA	H1058/5 STD 0.25

66507RA



66646RA

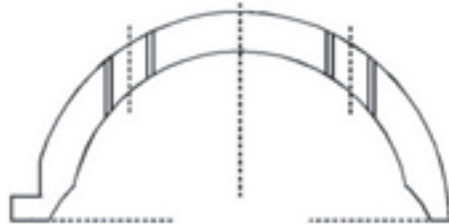


TW/A	2	71.450	88.090		2.850		BS	66506BF	A208/2 STD
TW/A	2	71.450	88.090		2.850		BS	66646BF	A210/2 STD

66506 BF









66646BF



SE/PB	1	28.002/28.010	30.000/30.021	25.250			BS	66649RY	55-4294 SEMI
-------	---	---------------	---------------	--------	--	--	----	---------	------------------------

...Continued

1373  **86.00** **Diesel**

		
EG176 [41][42]	JJ559 (Steel Elastomer) = PB852 16.00x24.00x1.500mm = PA349 22.00x16.00x2.000mm	NF843  50.00x68.00x10.00mm, FPM/ACM NF844  90.00x110.00x11.00mm, FPM/ACM
		

JJ559

[41] Supplementary Article/Supplementary Info 2: With cylinder sleeve ring
 [42] Supplementary Article/Supplementary Info: with gaskets/seals

[41] Article complémentaire / Info complémentaire 2: avec deux bagues de chemises de cylindre
 [42] Article complémentaire / Info complémentaire: avec joints

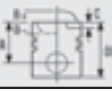
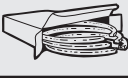






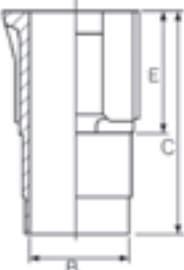
[41] Artículo complementario/ Información complementaria 2: con segmentos para camisa
 [42] Artículo complementario/Información complementaria: con juntas

[41] Articolo complementare/Info integrativa 2: Con anello tenuta canna cilindro
 [42] Articolo complementare/Info integrativa: con guarnizioni


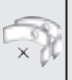








1374  **86.00** **Diesel**

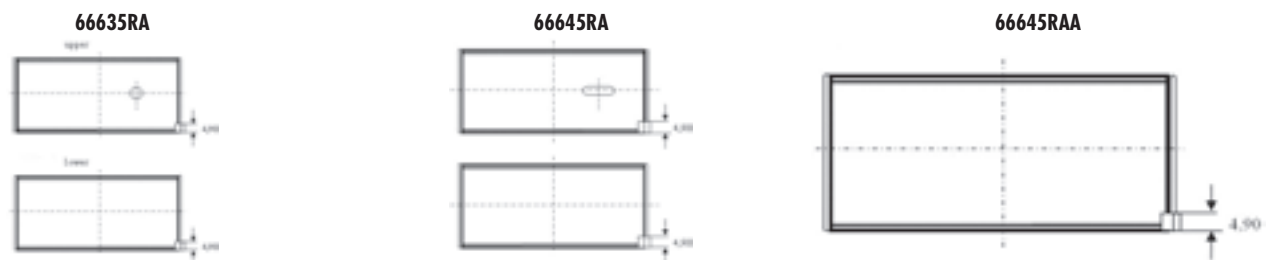
J8S 706	4 Cyl.	21.5:1	2068cc	46kW (63)PS	TD3392	638
J8S 736	4 Cyl.	21.5:1	2068cc	51kW (69)PS	TD3396	646

25 04/84 → 12/92

			
87-337100-00 STD	08-337100-00 STD	14-000320-00 W [37] B 93.60 C 166.00 E 93.05	89-337100-00 87-337100-00 + 14-000320-00
A 50.95 B- 2.20 D 87.95  28x75	2.25  P PS 2.00  P 3.00  CR P		

[37] Phosphated [37] Phosphated [37] Phosphated [37] Phosphated

									
BE/PL	4	56.267/56.286	60.005/60.019	20.750	1.842	0.035/0.093	AL-LF	66635RA	01-4189/4 STD 0.25
BE/PL	4	56.267/56.286	60.005/60.019	20.750	1.842	0.035/0.093	AL-LF	66645RA	01-4191/4 STD 0.25
BE/PL	4	56.267/56.286	60.005/60.019	20.750	1.842	0.035/0.093	AL-LF	66645RAA	01-4192/4 STD 0.25



1374



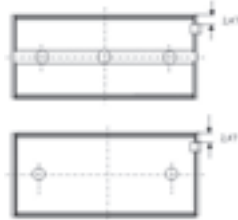
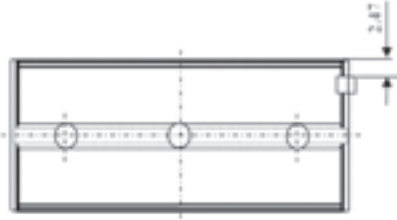
86.00

Diesel

MB/HL 1-5	5	62.873/62.892	66.668/66.687	23.500	1.884	0.020/0.071	AL-LF	66507RA	H1052/5 STD 0.25
MB/HL 1-5	5	62.861/62.880	66.668/66.687	23.250	1.884	0.030/0.093	AL-LF	66646RA	H1058/5 STD 0.25

66507RA

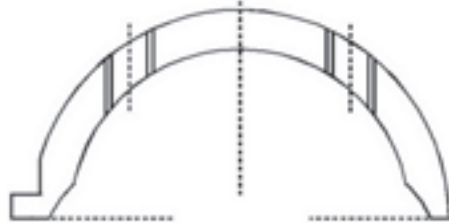
66646RA



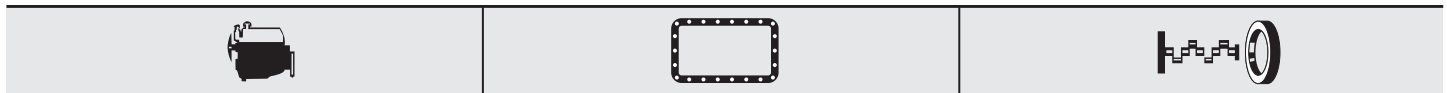
TW/A	2	71.450	88.090	2.850	BS	66506BF	A208/2 STD
TW/A	2	71.450	88.090	2.850	BS	66646BF	A210/2 STD

66506 BF

66646BF



SE/PB	1	28.002/28.010	30.000/30.021	25.250	BS	66649RY	55-4294 SEMI
-------	---	---------------	---------------	--------	----	---------	------------------------



EG176 [41][42]

JJ558
(Felt)
JJ559
(Steel Elastomer)
= **PB852**
16.00x24.00x1.500mm
= **PA349**
22.00x16.00x2.000mm

NF843 50.00x68.00x10.00mm, FPM/ACM
NF844 90.00x110.00x11.00mm, FPM/ACM



JJ558

JJ559

[41] Supplementary Article/Supplementary Info 2:
With cylinder sleeve ring
[42] Supplementary Article/Supplementary Info:
with gaskets/seals

[41] Article complémentaire / Info complémentaire 2:
avec deux bagues de chemises de cylindre
[42] Article complémentaire /
Info complémentaire: avec joints

[41] Artículo complementario/ Información
complementaria 2: con segmentos para camisa
[42] Artículo complementario/Información
complementaria: con juntas

[41] Articolo complementare/Info integrativa 2:
Con anello tenuta canna cilindro
[42] Articolo complementare/Info
integrativa: con guarnizioni

1375



86.00

Diesel



J85 708	4 Cyl.	21.5:1	2068cc	63kW (86)PS	TD3393	638
J85 714	4 Cyl.	21.5:1	2068cc	65kW (88)PS	TD3395	645
21	03/86→06/94	25	04/84→12/92			

	<p>08-335400-00 STD</p> <p>2.50 P PS</p> <p>2.50 P</p> <p>4.00 CR P</p>	<p>14-000320-00 W [37]</p> <p>B 93.60 C 166.00 E 93.05</p>	

[37] Phosphated

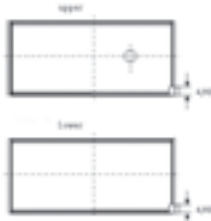
[37] Phosphated

[37] Phosphated

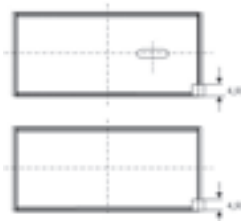
[37] Phosphated

BE/PL	4	56.267/56.286	60.005/60.019	20.750	1.842	0.035/0.093	AL-LF	66635RA	01-4189/4 STD 0.25
BE/PL	4	56.267/56.286	60.005/60.019	20.750	1.842	0.035/0.093	AL-LF	66645RA	01-4191/4 STD 0.25
BE/PL	4	56.267/56.286	60.005/60.019	20.750	1.842	0.035/0.093	AL-LF	66645RAA	01-4192/4 STD 0.25

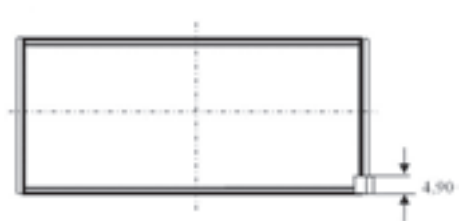
66635RA



66645RA

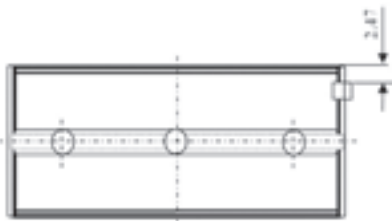


66645RAA

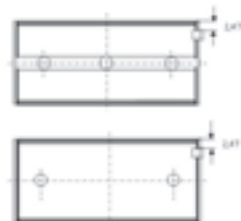


MB/HL 1-5	5	62.873/62.892	66.668/66.687	23.500	1.884	0.020/0.071	AL-LF	66507RA	H1052/5 STD 0.25
MB/HL 1-5	5	62.861/62.880	66.668/66.687	23.250	1.884	0.030/0.093	AL-LF	66646RA	H1058/5 STD 0.25

66507RA



66646RA



RENAULT/DACIA

...Continued

1375



86.00

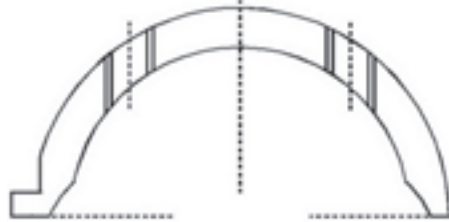
Diesel

TW/A	2	71.450	88.090		2.850		BS	66506BF	A208/2 STD
TW/A	2	71.450	88.090		2.850		BS	66646BF	A210/2 STD

66506 BF



66646BF



SE/PB	1	28.002/28.010	30.000/30.021	25.250		BS	66649RY	55-4294 SEMI
-------	---	---------------	---------------	--------	--	----	---------	------------------------



NF843 50.00x68.00x10.00mm, FPM/ACM

1376



86.00

Diesel



J8S 738	4 Cyl.	21.5:1	2068cc	63kW (86)PS	TD3397	638
J8S 788	4 Cyl.	21.5:1	2068cc	65kW (88)PS	TD3408	649
21	03/86→06/94	25	04/84→12/92			

[38] A 51.01 B- 4.00 D 92.90 28x68	 [37] Phosphated [38] Piston available in Kit Set only	 08-337000-00 STD 01/91→ 2.50 P PS 2.50 P 3.00 CR P 08-335400-00 STD →12/90 2.50 P PS 2.50 P 4.00 CR P	 14-000320-00 W [37] B 93.60 C 166.00 E 93.05 [37] Phosphated [38] Pistón disponible en conjuntos solamente

[37] Phosphated

[37] Phosphated

[37] Phosphated

[37] Phosphated

[38] Piston available in Kit Set only

[38] Chemise disponible en kit seulement

[38] I pistoni sono disponibili solo in kit motore

[38] Pistón disponible en conjuntos solamente

...Continued

1376

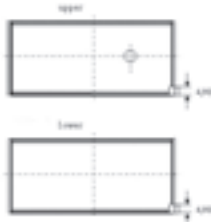


86.00

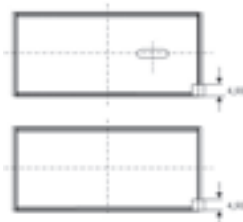
Diesel

BE/PL	4	56.267/56.286	60.005/60.019	20.750	1.842	0.035/0.093	AL-LF	66635RA	01-4189/4 STD 0.25
BE/PL	4	56.267/56.286	60.005/60.019	20.750	1.842	0.035/0.093	AL-LF	66645RA	01-4191/4 STD 0.25
BE/PL	4	56.267/56.286	60.005/60.019	20.750	1.842	0.035/0.093	AL-LF	66645RAA	01-4192/4 STD 0.25

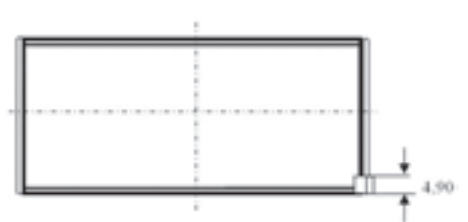
66635RA



66645RA



66645RAA



MB/HL
1-5

5

62.873/62.892

66.668/66.687

23.500

1.884

0.020/0.071

AL-LF

66507RA

H1052/5
STD 0.25

MB/HL
1-5

5

62.861/62.880

66.668/66.687

23.250

1.884

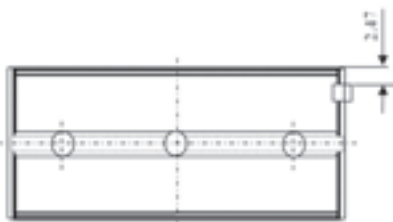
0.030/0.093

AL-LF

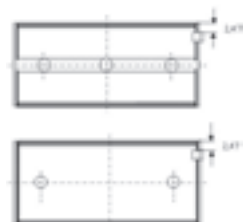
66646RA

H1058/5
STD 0.25

66507RA



66646RA



TW/A

2

71.450

88.090

2.850

BS

66506BF

A208/2
STD

TW/A

2

71.450

88.090

2.850

BS

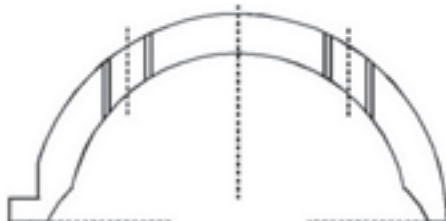
66646BF

A210/2
STD

66506 BF



66646BF



SE/PB

1

28.002/28.010

30.000/30.021

25.250

BS

66649RY

55-4294
SEMI



NF843 50.00x68.00x10.00mm, FPM/ACM

1377

 86.00



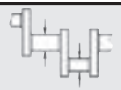
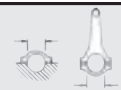






Diesel



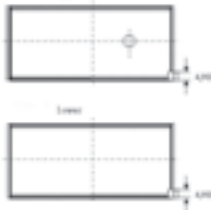
J8S 750 | 4 Cyl. | 2068cc | 44kW (60)PS | TD22186

647

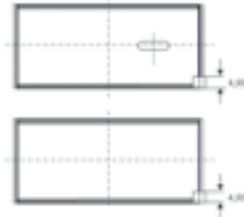
TRAFIC | 05/85 → 02/89

									
BE/PL	4	56.267/56.286	60.005/60.019	20.750	1.842	0.035/0.093	AL-LF	66635RA	01-4189/4 STD 0.25
BE/PL	4	56.267/56.286	60.005/60.019	20.750	1.842	0.035/0.093	AL-LF	66645RA	01-4191/4 STD 0.25
BE/PL	4	56.267/56.286	60.005/60.019	20.750	1.842	0.035/0.093	AL-LF	66645RAA	01-4192/4 STD 0.25

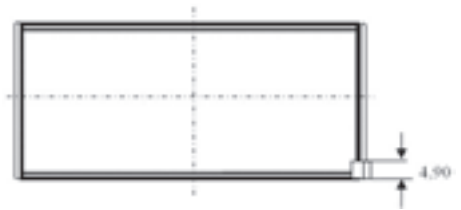
66635RA



66645RA

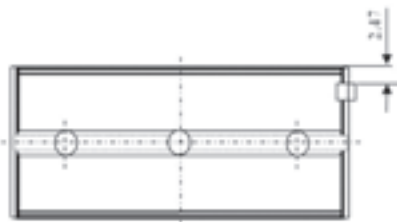


66645RAA

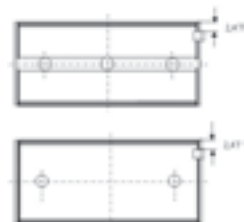


MB/HL 1-5	5	62.873/62.892	66.668/66.687	23.500	1.884	0.020/0.071	AL-LF	66507RA	H1052/5 STD 0.25
MB/HL 1-5	5	62.861/62.880	66.668/66.687	23.250	1.884	0.030/0.093	AL-LF	66646RA	H1058/5 STD 0.25

66507RA



66646RA

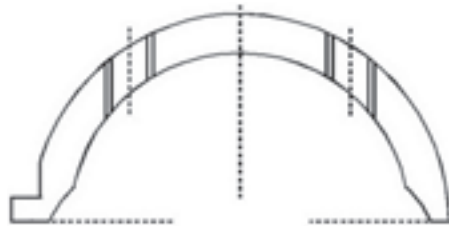


TW/A	2	71.450	88.090		2.850		BS	66506BF	A208/2 STD
TW/A	2	71.450	88.090		2.850		BS	66646BF	A210/2 STD

66506 BF



66646BF



SE/PB	1	28.002/28.010	30.000/30.021	25.250			BS	66649RY	55-4294 SEMI
-------	---	---------------	---------------	--------	--	--	----	---------	------------------------



NF843  50.00x68.00x10.00mm, FPM/ACM

1378

86.00

Diesel



J85 760

4 Cyl.

21.5:1

2068cc

65-66kW (88-90)PS

TD3401

648

SAFRANE

11/93→07/96

[38] A 51.01 B- 3.80 D 84.00 28x68	<p>08-337000-00 STD 01/91→</p> <p>2.50 P PS 2.50 P 3.00 CR P</p> <p>08-335400-00 STD →12/90</p> <p>2.50 P PS 2.50 P 4.00 CR P</p>	<p>14-000320-00 W [37] B 93.60 C 166.00 E 93.05</p>	89-337000-10

[37] Phosphated

[37] Phosphated

[37] Phosphated

[37] Phosphated

[38] Piston available in Kit Set only

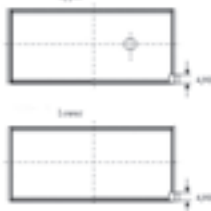
[38] Chemise disponible en kit seulement

[38] I pistoni sono disponibili solo in kit motore

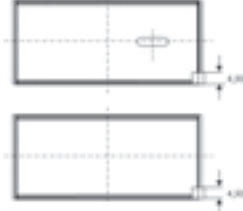
[38] Pistón disponible en conjuntos solamente

BE/PL	4	56.267/56.286	60.005/60.019	20.750	1.842	0.035/0.093	AL-LF	66635RA	01-4189/4 STD 0.25	
BE/PL	4	56.267/56.286	60.005/60.019	20.750	1.842	0.035/0.093	AL-LF	66645RA	01-4191/4 STD 0.25	
BE/PL	4	56.267/56.286	60.005/60.019	20.750	1.842	0.035/0.093	AL-LF	66645RAA	01-4192/4 STD 0.25	

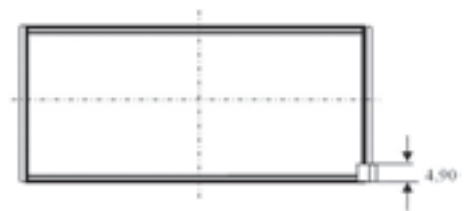
66635RA



66645RA



66645RAA



MB/HL
1-5

5

62.873/62.892

66.668/66.687

23.500

1.884

0.020/0.071

AL-LF

66507RA

H1052/5
STD 0.25

MB/HL
1-5

5

62.861/62.880

66.668/66.687

23.250

1.884

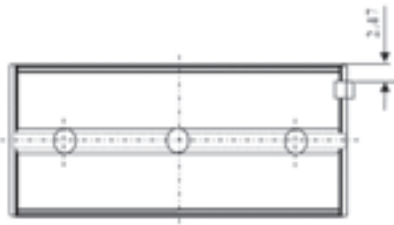
0.030/0.093

AL-LF

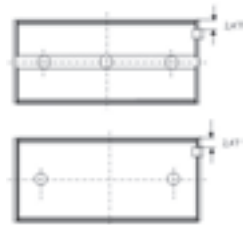
66646RA

H1058/5
STD 0.25

66507RA



66646RA

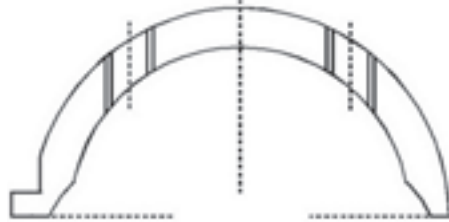


1378


86.00
Diesel

TW/A	2	71.450	88.090		2.850		BS	66506BF	A208/2 STD
TW/A	2	71.450	88.090		2.850		BS	66646BF	A210/2 STD

66506 BF

66646BF


SE/PB	1	28.002/28.010	30.000/30.021	25.250		BS	66649RY	55-4294 SEMI
-------	---	---------------	---------------	--------	--	----	---------	------------------------

--	--	--

EG176 [41][42]

—PB852
16.00x24.00x1.500mm
—PA349
22.00x16.00x2.000mm

NF843 50.00x68.00x10.00mm, FPM/ACM
NF844 90.00x110.00x11.00mm, FPM/ACM

[41] Supplementary Article/Supplementary Info 2:
With cylinder sleeve ring

[42] Supplementary Article/Supplementary Info:
with gaskets/seals

[41] Article complémentaire / Info complémentaire 2:
avec deux bagues de chemises de cylindre

[42] Article complémentaire /
Info complémentaire: avec joints

[41] Artículo complementario/ Información
complementaria 2: con segmentos para camisa

[42] Artículo complementario/Información
complementaria: con juntas

[41] Articolo complementare/Info integrativa 2:
Con anello tenuta canna cilindro

[42] Articolo complementare/Info
integrativa: con guarnizioni

1379


86.00
Diesel


J8S 772	4 Cyl.	21.5:1	2068cc	65kW (88)PS	TD3402	641
J8S 776	4 Cyl.	21.5:1	2068cc	65kW (88)PS	TD3404	641

ESPACE 01/91→10/96

[38] A 51.01 B- 4.00 D 92.90 28x68	08-337000-00 STD 01/91→ 2.50 P PS 2.50 P 3.00 CR P 08-335400-00 STD →12/90 2.50 P PS 2.50 P 4.00 CR P	14-000320-00 W [37] B 93.60 C 166.00 E 93.05	89-337000-00

[37] Phosphated

[37] Phosphated

[37] Phosphated

[37] Phosphated

[38] Piston available in Kit Set only

[38] Chemise disponible en kit seulement

[38] I pistoni sono disponibili solo in kit motore

[38] Pistón disponible en conjuntos solamente

...Continued

1379

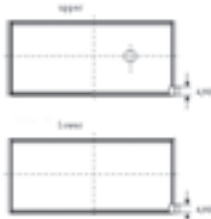


86.00

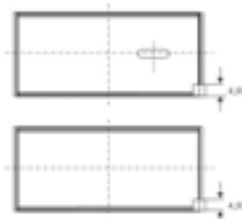
Diesel

BE/PL	4	56.267/56.286	60.005/60.019	20.750	1.842	0.035/0.093	AL-LF	66635RA	01-4189/4 STD 0.25
BE/PL	4	56.267/56.286	60.005/60.019	20.750	1.842	0.035/0.093	AL-LF	66645RA	01-4191/4 STD 0.25
BE/PL	4	56.267/56.286	60.005/60.019	20.750	1.842	0.035/0.093	AL-LF	66645RAA	01-4192/4 STD 0.25

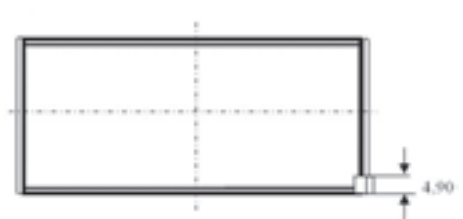
66635RA



66645RA

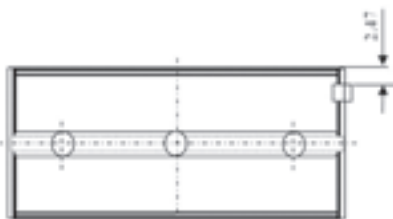


66645RAA

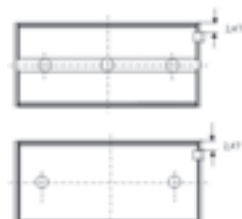


MB/HL 1-5	5	62.873/62.892	66.668/66.687	23.500	1.884	0.020/0.071	AL-LF	66507RA	H1052/5 STD 0.25
MB/HL 1-5	5	62.861/62.880	66.668/66.687	23.250	1.884	0.030/0.093	AL-LF	66646RA	H1058/5 STD 0.25

66507RA



66646RA

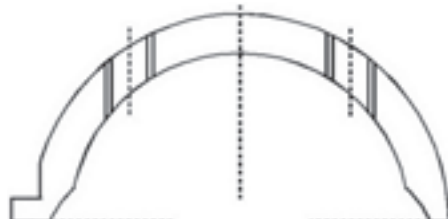


TW/A	2	71.450	88.090		2.850		BS	66506BF	A208/2 STD
TW/A	2	71.450	88.090		2.850		BS	66646BF	A210/2 STD

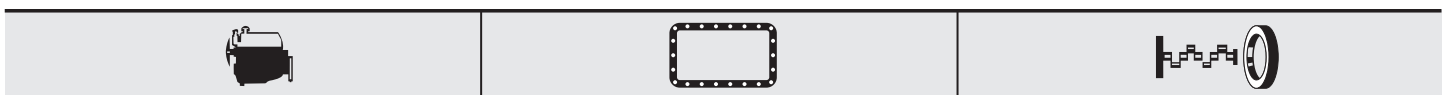
66506 BF



66646BF



SE/PB	1	28.002/28.010	30.000/30.021	25.250			BS	66649RY	55-4294 SEMI
-------	---	---------------	---------------	--------	--	--	----	---------	------------------------



EG176 [41][42]

⇒PB852
16.00x24.00x1.500mm
⇒PA349
22.00x16.00x2.000mm

NF843 50.00x68.00x10.00mm, FPM/ACM

[41] Supplementary Article/Supplementary Info 2:
With cylinder sleeve ring
[42] Supplementary Article/Supplementary Info:
with gaskets/seals

[41] Article complémentaire / Info complémentaire 2:
avec deux bagues de chemises de cylindre
[42] Article complémentaire /
Info complémentaire: avec joints

[41] Artículo complementario/ Información
complementaria 2: con segmentos para camisa
[42] Artículo complementario/Información
complementaria: con juntas

[41] Articolo complementare/Info integrativa 2:
Con anello tenuta canna cilindro
[42] Articolo complementare/Info
integrativa: con guarnizioni

1380



86.00

Diesel



J8S 778 4 Cyl. 21.5:1 2068cc 65kW (88)PS TD3405 641

ESPACE 01/91 → 10/96

	<p>08-335400-00 STD</p> <p>2.50 P PS</p> <p>2.50 P</p> <p>4.00 CR P</p>	<p>14-000320-00 W [37]</p> <p>B 93.60 C 166.00 E 93.05</p>	

[37] Phosphated

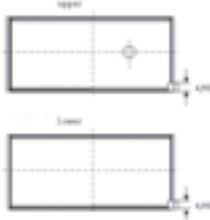
[37] Phosphated

[37] Phosphated

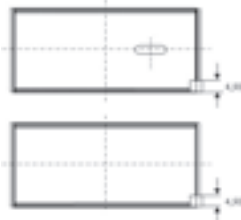
[37] Phosphated

BE/PL	4	56.267/56.286	60.005/60.019	20.750	1.842	0.035/0.093	AL-LF	66635RA	01-4189/4 STD 0.25
BE/PL	4	56.267/56.286	60.005/60.019	20.750	1.842	0.035/0.093	AL-LF	66645RA	01-4191/4 STD 0.25
BE/PL	4	56.267/56.286	60.005/60.019	20.750	1.842	0.035/0.093	AL-LF	66645RAA	01-4192/4 STD 0.25

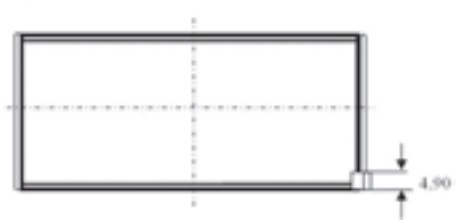
66635RA



66645RA



66645RAA



MB/HL
1-5

5

62.873/62.892

66.668/66.687

23.500

1.884

0.020/0.071

AL-LF

66507RA

H1052/5
STD 0.25

MB/HL
1-5

5

62.861/62.880

66.668/66.687

23.250

1.884

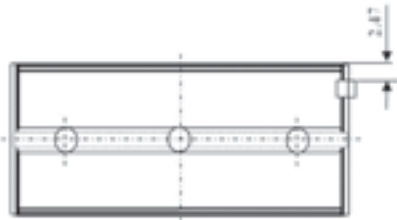
0.030/0.093

AL-LF

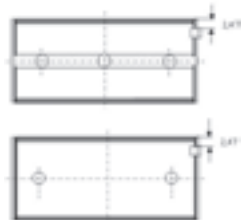
66646RA

H1058/5
STD 0.25

66507RA



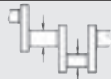









66646RA



...Continued

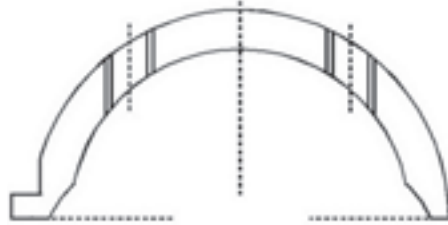
1380  **86.00 Diesel**

									
TW/A	2	71.450	88.090		2.850		BS	66506BF	A208/2 STD
TW/A	2	71.450	88.090		2.850		BS	66646BF	A210/2 STD

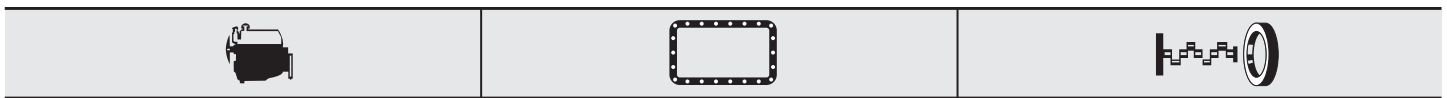
66506 BF



66646BF



SE/PB	1	28.002/28.010	30.000/30.021	25.250			BS	66649RY	55-4294 SEMI
-------	---	---------------	---------------	--------	--	--	----	---------	-----------------



 **EG176** [41][42]

PB852
16.00x24.00x1.500mm
PA349
22.00x16.00x2.000mm

NF843 50.00x68.00x10.00mm, FPM/ACM

[41] Supplementary Article/Supplementary Info 2:
With cylinder sleeve ring

[41] Article complémentaire / Info complémentaire 2:
avec deux bagues de chemises de cylindre

[41] Artículo complementario/ Información
complementaria 2: con segmentos para camisa

[41] Articolo complementare/Info integrativa 2:
Con anello tenuta canna cilindro

[42] Supplementary Article/Supplementary Info:
with gaskets/seals

[42] Article complémentaire /
Info complémentaire: avec joints

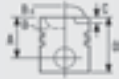

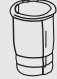





[42] Artículo complementario/Información
complementaria: con juntas

[42] Articolo complementare/Info
integrativa: con guarnizioni

1381  **87.00 Diesel**

G8T 706	4 Cyl.	23:1	2188cc	61kW (82)PS	TD3301	650
G8T 752	4 Cyl.	23:1	2188cc	61kW (82)PS	TD4872	652
G8T 790	4 Cyl.	23:1	2188cc	61kW (82)PS	TD4873	653
G8T 794	4 Cyl.	23:1	2188cc	61kW (82)PS	TD4874	655

LAGUNA 11/93→03/01

			
87-101600-00 STD	08-101600-00 STD		
A 44.98	2.50  MO P		
B- 2.10	1.75  P		
D 75.00	2.50  CR P		
 28x69			
AK RT			

1381



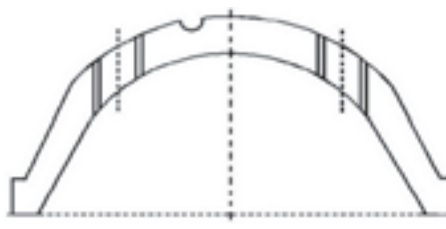
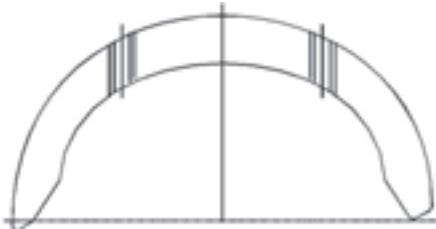
87.00

Diesel

BE/PL	4	47.975/47.991	51.612/51.625	20.650	1.800		AL	01-4044	01-4044/4 0.25
MB/HL 1-5	5	57.980/58.000	61.668/61.681	20.990	1.810		AL-LF	02-4042	H1013/5 STD 0.25
TW/A	2	63.375	78.675				AL	04-4043	A167/2 STD
TW/A	2	60.500/60.750	79.750/80.000		2.350		AL-LF	66741AF	A215/2 STD 0.10

04-4043

66741AF



SE/PB	1	28.000	30.000/30.021	25.800			BC	55-4051	55-4051 SEMI
-------	---	--------	---------------	--------	--	--	----	---------	------------------------



EY070 [42]



JJ568
=PA349
22.00x16.00x2.000mm



JJ568



NF861 46.00x59.00x7.00mm, FPM
NF860 93.00x108.00x7.00mm, FPM/ACM

[42] Supplementary Article/Supplementary Info:
with gaskets/seals

[42] Article complémentaire /
Info complémentaire: avec joints

[42] Artículo complementario/Información
complementaria: con juntas

[42] Articolo complementare/Info
integrativa: con guarnizioni

1382



87.00

Diesel





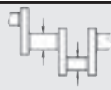
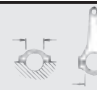






G8T 714	4 Cyl.	22:1	2188cc	83kW (113)PS	TD16308	651
G8T 716	4 Cyl.	22:1	2188cc	83kW (113)PS	TD16309	651
G8T 740	4 Cyl.	22:1	2188cc	83kW (113)PS	TD3300	651
G8T 760	4 Cyl.	22:1	2188cc	83kW (113)PS	TD4871	651

ESPACE	11/96→10/00	LAGUNA	03/96→03/01	SAFRANE	07/96→12/00
--------	-------------	--------	-------------	---------	-------------

	<p>08-118700-00 STD →12/98</p> <p>3.50 P PS 1.75 NT 2.50 CR P</p>		
	<p>08-118800-00 STD 01/99→</p> <p>3.00 P PS 1.75 NT 2.50 CR P</p>		

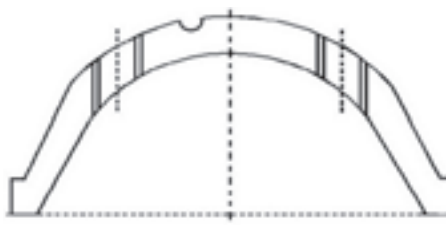
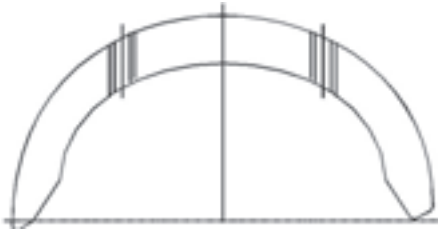
...Continued

1382  **87.00 Diesel**

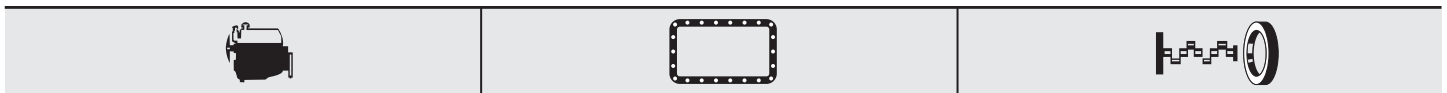
									
BE/PL	4	47.975/47.991	51.612/51.625	20.650	1.803	0.025/0.074	BS	71-4041	71-4041/4 STD 0.25
MB/HL 1-5	5	57.980/58.000	61.668/61.681	20.990	1.810		AL-LF	02-4042	H1013/5 STD 0.25
TW/A	2	63.375	78.675				AL	04-4043	A167/2 STD
TW/A	2	60.500/60.750	79.750/80.000		2.350		AL-LF	66741AF	A215/2 STD 0.10


04-4043

66741AF





SE/PB	1	31.013/31.020	33.500/33.525	25.800			BC	55-4050	55-4050 SEMI
-------	---	---------------	---------------	--------	--	--	----	---------	------------------------



 **EY070** [42]

JJ568
= **PA349**
22.00x16.00x2.000mm

NF861  46.00x59.00x7.00mm, FPM
NF860  93.00x108.00x7.00mm, FPM/ACM



JJ568

[42] Supplementary Article/Supplementary Info:
with gaskets/seals

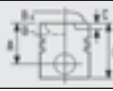
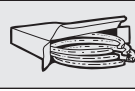
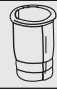





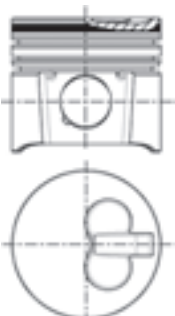
[42] Article complémentaire /
Info complémentaire: avec joints

[42] Artículo complementario/Información
complementaria: con juntas

[42] Articolo complementare/Info
integrativa: con guarnizioni

1383  **87.00 Diesel** 

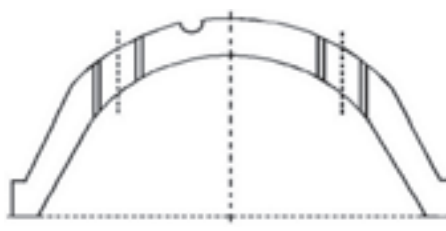
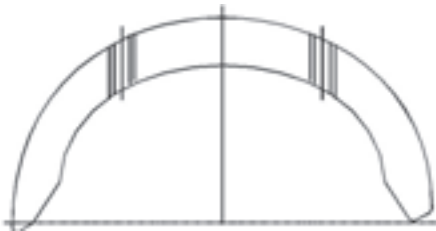
G8T 792 4 Cyl. 23:1 2188cc 61kW (82)PS **TD18886 654**

			
87-101600-00 STD	08-101600-00 STD		
A 44.98 B- 2.10 D 75.00  28x69 AK RT	2.50  MO P 1.75  P 2.50  CR P		
			

1383


87.00
Diesel

BE/PL	4	47.975/47.991	51.612/51.625	20.650	1.800		AL	01-4044	01-4044/4 0.25
MB/HL 1-5	5	57.980/58.000	61.668/61.681	20.990	1.810		AL-LF	02-4042	H1013/5 STD 0.25
TW/A	2	63.375	78.675				AL	04-4043	A167/2 STD
TW/A	2	60.500/60.750	79.750/80.000		2.350		AL-LF	66741AF	A215/2 STD 0.10

04-4043
66741AF


SE/PB	1	28.000	30.000/30.021	25.800			BC	55-4051	55-4051 SEMI
-------	---	--------	---------------	--------	--	--	----	---------	------------------------


EY070 [42]

JJ568

NF861 46.00x59.00x7.00mm, FPM
NF860 93.00x108.00x7.00mm, FPM/ACM

JJ568

 [42] Supplementary Article/Supplementary Info:
with gaskets/seals

 [42] Article complémentaire /
Info complémentaire: avec joints

 [42] Artículo complementario/Información
complementaria: con juntas

 [42] Articolo complementare/Info
integrativa: con guarnizioni

1384


87.00
Diesel




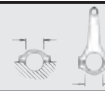







G9T 600 Euro 4	4 Cyl.	18:1	2188cc	110kW (150)PS	TD19667	656
G9T 712	4 Cyl.	19:1	2188cc	110kW (150)PS	TD18298	656





AVANTIME	05/02→05/03	LAGUNA	04/04→	VEL SATIS	04/04→
-----------------	-------------	---------------	--------	------------------	--------

	08-127400-00 STD 08-127407-00 0.50mm 3.00 P PS 1.75 P 2.50 P		

...Continued

1384  **87.00 Diesel**

									
BE/PL	4	52.971/52.990	56.587/56.606	20.650	1.782	0.015/0.069	EC	71-4744	71-4744/4 STD 0.25 [45]
MB/HL 1-5	5	57.980/58.000	61.668/61.681	20.990	1.810		AL-LF	02-4042	H1013/5 STD 0.25
TW/A	2	63.250/63.500	78.550/78.800		2.350		AL-LF	04-4745	A289/2 STD
SE/PB	1	31.013/31.020	33.500/33.525	25.800			BC	55-4050	55-4050 SEMI

		
EE5220 [42]	JJ568	NF860  93.00x108.00x7.00mm, FPM/ACM








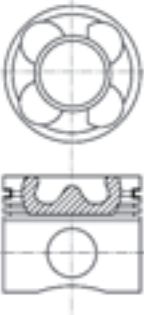



JJ568

[42] Supplementary Article/Supplementary Info: with gaskets/seals [42] Article complémentaire / Info complémentaire: avec joints [42] Artículo complementario/Información complementaria: con juntas [42] Articolo complementare/Info integrativa: con guarnizioni

1385  **87.00 Diesel**

G9T 605 Euro 4	4 Cyl.	18:1	2188cc	110kW (150)PS	TD19682	656
G9T 606 Euro 4	4 Cyl.	18:1	2188cc	102kW (139)PS	TD21209	657
G9T 642	4 Cyl.	18:1	2188cc	110kW (150)PS	TD23177	656
G9T 645 Euro 4	4 Cyl.	18:1	2188cc	102kW (139)PS	TD21198	659
G9T 700	4 Cyl.	18:1	2188cc	110kW (150)PS	TD20978	656
G9T 702	4 Cyl.	18:1	2188cc	95-110kW (130-150)PS	TD16288	656
G9T 703	4 Cyl.	19:1	2188cc	110kW (150)PS	TD16377	656
G9T 704	4 Cyl.	19:1	2188cc	110kW (150)PS	TD20975	660
G9T 706	4 Cyl.	19:1	2188cc	102-110kW (139-150)PS	TD20976	656
G9T 707	4 Cyl.	19:1	2188cc	102-110kW (139-150)PS	TD20977	656
G9T 742	4 Cyl.	18:1	2188cc	110kW (150)PS	TD17062	656
G9T 743	4 Cyl.	18:1	2188cc	110kW (150)PS	TD17063	656

ESPACE 10/00→ **LAGUNA** 10/01→ **VEL SATIS** 06/02→

			
87-127400-10 87-127407-10	STD 0.50mm	08-127400-00 08-127407-00	STD 0.50mm
A 54.53 B- 17.50 BØ 40.40 C 1.70 C 2.00 D 84.20  31x65		3.00  P PS 1.75  P 2.50  P	
AK KK RT TP			

1385


87.00
Diesel

BE/PL	4	52.971/52.990	56.587/56.606	20.650	1.782	0.015/0.069	EC	71-4744	71-4744/4 STD 0.25	[45]
MB/HL 1-5	5	57.980/58.000	61.668/61.681	20.990	1.810		AL-LF	02-4042	H1013/5 STD 0.25	
TW/A	2	63.250/63.500	78.550/78.800		2.350		AL-LF	04-4745	A289/2 STD	
SE/PB	1	31.013/31.020	33.500/33.525	25.800			BC	55-4050	55-4050 SEMI	

EE5220 [42]	JJ568	NF860 93.00x108.00x7.00mm, FPM/ACM


JJ568

[42] Supplementary Article/Supplementary Info:
with gaskets/seals

[42] Article complémentaire /
Info complémentaire: avec joints

[42] Artículo complementario/Información
complementaria: con juntas

[42] Articolo complementare/Info
integrativa: con guarnizioni

1386


87.00
Diesel


G9T 607	4 Cyl.	18:1	2188cc	102-110kW (139-150)PS	TD23896	658
G9T 710	4 Cyl.	18:1	2188cc	95-110kW (130-150)PS	TD16310	656
G9T 720	4 Cyl.	18:1	2188cc	66kW (89)PS	TD14928	656
G9T 722	4 Cyl.	18:1	2188cc	66kW (89)PS	TD16302	656
G9T 750	4 Cyl.	17.8:1	2188cc	66kW (90)PS	TD19088	656

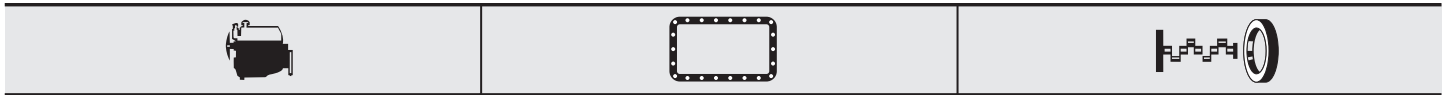
ESPACE	07/00 → 10/02	MASTER	09/00 →	VEL SATIS	09/04 →
---------------	---------------	---------------	---------	------------------	---------

87-127400-00 87-127407-00	STD 0.50mm		08-127400-00 STD 08-127407-00 0.50mm
A 54.53 B- 17.50 BØ 40.40 C 2.00 D 84.20 31x65			3.00 P PS 1.75 P 2.50 P
AK RT TP			

BE/PL	4	52.971/52.990	56.587/56.606	20.650	1.782	0.015/0.069	EC	71-4744	71-4744/4 STD 0.25	[45]
MB/HL 1-5	5	57.980/58.000	61.668/61.681	20.990	1.810		AL-LF	02-4042	H1013/5 STD 0.25	
TW/A	2	63.250/63.500	78.550/78.800		2.350		AL-LF	04-4745	A289/2 STD	
SE/PB	1	31.013/31.020	33.500/33.525	25.800			BC	55-4050	55-4050 SEMI	

...Continued

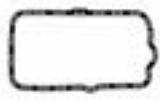
1386  **87.00** **Petrol** 



 **EE5220** [42]

JJ568

NF860  93.00x108.00x7.00mm, FPM/ACM





JJ568

[42] Supplementary Article/Supplementary Info:
with gaskets/seals

[42] Article complémentaire /
Info complémentaire: avec joints

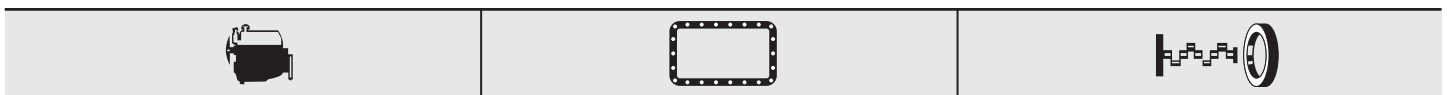
[42] Artículo complementario/Información
complementaria: con juntas

[42] Articolo complementare/Info
integrativa: con guarnizioni

1387  **87.00** **Petrol** 

L7X 720	6 Cyl.	10.9:1	2946cc	152kW (207)PS	TD18299	661
L7X 721	6 Cyl.	10.9:1	2946cc	152kW (207)PS	TD18300	661
L7X 722	6 Cyl.	10.9:1	2946cc	152kW (207)PS	TD21192	662
L7X 727	V6 Cyl.	10.5:1	2946cc	140kW (190)PS	TD16311	663
L7X 731	V6 Cyl.	10.5:1	2946cc	152kW (207)PS	TD16218	661
L7X 732	V6 Cyl.	10.5:1	2946cc	169kW (230)PS	TD20114	665
L7X 733	V6 Cyl.	10.5:1	2946cc	155kW (211)PS	TD20115	666
L7X 760	V6 Cyl.	11.4:1	2946cc	166kW (226)PS	TD16213	661

AVANTIME	09/01→05/03	CLIO	11/00→12/02	ESPACE	10/98→10/02
LAGUNA	03/01→	THALIA	04/00→09/01		



 **EG9710**

NA5177  42.00x56.00x7.00mm, FPM

NF867  98.00x120.00x7.00mm, FPM/ACM

1388  **87.00** **Petrol** 

L7X 700	V6 Cyl.	10.5:1	2946cc	140kW (190)PS	TD16207	663
L7X 701	V6 Cyl.	10.5:1	2946cc	140kW (190)PS	TD16208	663

LAGUNA	03/97→03/01
---------------	-------------

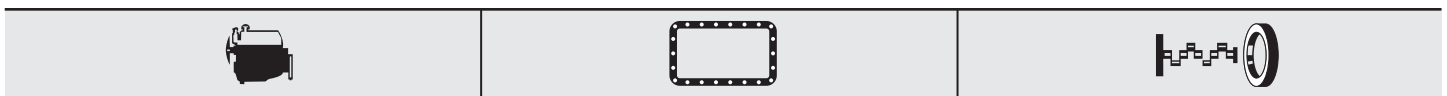


08-104700-00 STD

1.50  P PS

1.50  P

3.00  CR P



 **EG9710**

NA5177  42.00x56.00x7.00mm, FPM

NF867  98.00x120.00x7.00mm, FPM/ACM

RENAULT/DACIA

1389



87.00

Petrol



L7X 713 V6 Cyl. 10.5:1 2946cc 140kW (190)PS TD17251 664

SAFRANE 03/99 → 12/00

	<p>08-104700-00 STD</p> <p>1.50 P PS</p> <p>1.50 P</p> <p>3.00 CR P</p>		

EG9710	PA349 22.00x16.00x2.000mm	<p>NA5177 42.00x56.00x7.00mm, FPM</p> <p>NF867 98.00x120.00x7.00mm, FPM/ACM</p>

1390



87.00

Petrol



L7X 762 V6 Cyl. 2946cc 187kW (254)PS TD18285 661

CLIO 12/02 → THALIA 06/02 →

EG9710		<p>NA5260 38.00x50.00x6.00mm, FPM</p> <p>NA5177 42.00x56.00x7.00mm, FPM</p> <p>NF867 98.00x120.00x7.00mm, FPM/ACM</p>	

1391



87.50

Diesel



P9X 701 V6 Cyl. 18.5:1 2958cc 130kW (177)PS TD16289 667

ESPACE 11/02 → VEL SATIS 06/02 →

EG9770			

1392



88.00

Petrol



829.01 4 Cyl. 9.2:1 1995cc 76-80kW (103-109)PS TD21390

20 10/77 → 10/80

<p>87-334400-00 STD</p> <p>A 40.50</p> <p>B+ 1.55</p> <p>D 69.05</p> <p> 23x75</p>	<p>08-334400-00 STD</p> <p>1.75 MO P</p> <p>2.00 P</p> <p>4.00 CR [26]</p>	<p>14-637160-00 WH</p> <p>B 93.60 C 140.50 D 104.00 E 93.08</p>	





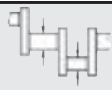
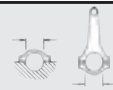










[26] Steel





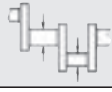
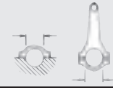












[26] Acier

[26] Acciaio

[26] Acero

...Continued

1392	 88.00	Petrol								
										
BE/PL	4	52.267/52.286	56.000/56.019	18.750	1.852	0.020/0.073	AL-LF	66600RA	01-4187/4 STD	
01/78 →										
MB/HL 1-5	5	62.873/62.892	66.668/66.687	23.500	1.884	0.020/0.071	AL-LF	66507RA	H1052/5 STD 0.25	
TW/A	2	71.450	88.090		2.850		BS	66506BF	A208/2 STD	
										
							NF843  50.00x68.00x10.00mm, FPM/ACM			

1393	 88.00	Petrol								
829 700	4 Cyl.	9.2:1	1995cc	80kW (109)PS			TD3043			
829 701	4 Cyl.	9.2:1	1995cc	80kW (109)PS			TD5428 669			
20	10/77 → 10/80									
										
BE/PL	4	52.267/52.286	56.000/56.019	18.750	1.852	0.020/0.073	AL-LF	66600RA	01-4187/4 STD	
01/78 →										
MB/HL 1-5	5	62.873/62.892	66.668/66.687	23.500	1.884	0.020/0.071	AL-LF	66507RA	H1052/5 STD 0.25	
TW/A	2	71.450	88.090		2.850		BS	66506BF	A208/2 STD	
										
 EG176 [41][42]			JJ558 (Felt) 				NF843  50.00x68.00x10.00mm, FPM/ACM			

[41] Supplementary Article/Supplementary Info 2:
With cylinder sleeve ring
[42] Supplementary Article/Supplementary Info:
with gaskets/seals

[41] Article complémentaire / Info complémentaire 2:
avec deux bagues de chemises de cylindre
[42] Article complémentaire /
Info complémentaire: avec joints

[41] Artículo complementario/ Información
complementaria 2: con segmentos para camisa
[42] Artículo complementario/Información
complementaria: con juntas

[41] Articolo complementare/Info integrativa 2:
Con anello tenuta canna cilindro
[42] Articolo complementare/Info
integrativa: con guarnizioni

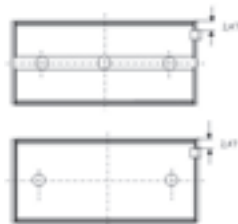
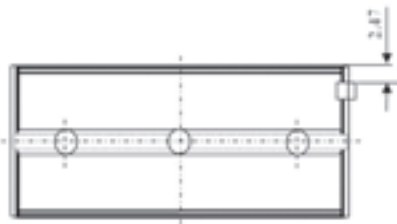
1394

88.00
Petrol


829 702	4 Cyl.	9.2:1	1995cc	76kW (103)PS	TD3307	670
829 703	4 Cyl.	9.2:1	1995cc	76kW (103)PS	TD5427	670
829 710	4 Cyl.	9.2:1	1995cc	81kW (110)PS	TD3044	671
829 720	4 Cyl.	9:1	1995cc	63kW (86)PS	TD5561	672
829 721	4 Cyl.	9:1	1995cc	63kW (86)PS	TD5562	672
J5R 800	4 Cyl.	9.2:1	1995cc	61-63kW (85-86)PS	TD21103	676
J6R 711	4 Cyl.	9.2:1	1995cc	77-79kW (105-107)PS	TD5063	679
J6R 726	4 Cyl.	9.2:1	1995cc	81kW (110)PS	TD3322	678

20	10/80→12/83	FUEGO	10/80→10/85	TRAFIC	03/80→12/86
-----------	-------------	--------------	-------------	---------------	-------------

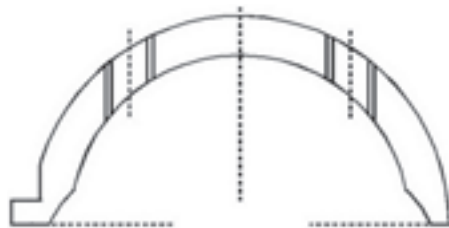
BE/PL	4	52.267/52.286	56.000/56.019	18.750	1.852	0.020/0.073	AL-LF	66600RA	01-4187/4 STD
MB/HL 1-5	5	62.873/62.892	66.668/66.687	23.500	1.884	0.020/0.071	AL-LF	66507RA	H1052/5 STD 0.25
→06/82									
MB/HL 1-5	5	62.861/62.880	66.668/66.687	23.250	1.884	0.030/0.093	AL-LF	66646RA	H1058/5 STD 0.25
07/82→									

66507RA
66646RA


TW/A	2	71.450	88.090	2.850	BS	66506BF	A208/2 STD
------	---	--------	--------	-------	----	---------	----------------------

→06/82

TW/A	2	71.450	88.090	2.850	BS	66646BF	A210/2 STD
------	---	--------	--------	-------	----	---------	----------------------

07/82→
66506 BF
66646BF


EG176 [41][42]	JJ558 (Felt)	NF843 50.00x68.00x10.00mm, FPM/ACM
	JJ558	

[41] Supplementary Article/Supplementary Info 2:
With cylinder sleeve ring

[41] Article complémentaire / Info complémentaire 2:
avec deux bagues de chemises de cylindre

[41] Artículo complementario / Información
complementaria 2: con segmentos para camisa

[41] Articolo complementare/Info integrativa 2:
Con anello tenuta canna cilindro

[42] Supplementary Article/Supplementary Info:
with gaskets/seals

[42] Article complémentaire /
Info complémentaire: avec joints

[42] Artículo complementario/Información
complementaria: con juntas

[42] Articolo complementare/Info
integrativa: con guarnizioni

1395	88.00	Petrol				
829 730	4 Cyl.	9.2:1	1995cc	81kW (110)PS	TD3045	673
J5R 716	4 Cyl.	9.2:1	1995cc	59-62kW (80-84)PS	TD3302	674
J5R 718	4 Cyl.	9.2:1	1995cc	57-60kW (78-82)PS	TD3303	675
J5R 728	4 Cyl.	9.2:1	1995cc	58kW (79)PS	TD3306	675
MASTER	10/82→07/98	TRAFIC	05/85→08/90			

87-334400-00 STD A 40.50 B+ 1.55 D 69.05 23x75	08-334400-00 STD →08/89 1.75 MO P 2.00 P 4.00 CR [26] 08-336300-00 STD 09/89→ 1.50 MO P 1.75 P 3.00 CR [26]	14-637160-00 WH B 93.60 C 140.50 D 104.00 E 93.08 	89-334400-00 87-334400-00 + 14-637160-00
[26] Steel	[26] Acier	[26] Acciaio	[26] Acero

BE/PL	4	52.267/52.286	56.000/56.019	18.750	1.852	0.020/0.073	AL-LF	66600RA	01-4187/4 STD
MB/HL 1-5	5	62.861/62.880	66.668/66.687	23.250	1.884	0.030/0.093	AL-LF	66646RA	H1058/5 STD 0.25
TW/A	2	71.450	88.090		2.850		BS	66646BF	A210/2 STD

EG176 [41] [42]	JJ558 (Felt) = PB852 16.00x24.00x1.500mm = PA349 22.00x16.00x2.000mm 	NF843 50.00x68.00x10.00mm, FPM/ACM NF844 90.00x110.00x11.00mm, FPM/ACM
[41] Supplementary Article/Supplementary Info 2: With cylinder sleeve ring	[41] Article complémentaire / Info complémentaire 2: avec deux bagues de chemises de cylindre	[41] Artículo complementario/ Información complementaria 2: con segmentos para camisa
[42] Supplementary Article/Supplementary Info: with gaskets/seals	[42] Article complémentaire / Info complémentaire: avec joints	[42] Artículo complementario/Información complementaria: con juntas

[41] Supplementary Article/Supplementary Info 2: With cylinder sleeve ring

[41] Article complémentaire / Info complémentaire 2: avec deux bagues de chemises de cylindre

[41] Artículo complementario/ Información complementaria 2: con segmentos para camisa

[41] Articolo complementare/Info integrativa 2: Con anello tenuta canna cilindro

[42] Supplementary Article/Supplementary Info: with gaskets/seals

[42] Article complémentaire / Info complémentaire: avec joints

[42] Artículo complementario/Información complementaria: con juntas

[42] Articolo complementare/Info integrativa: con guarnizioni

1396

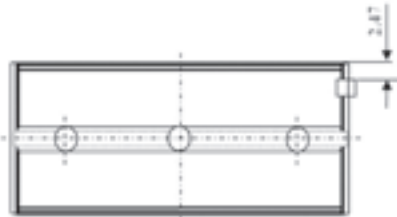
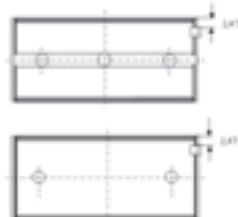

88.00
Petrol


829 731	4 Cyl.	9.2:1	1995cc	81kW (110)PS	TD3046	673
J5R 726	4 Cyl.	9.2:1	1995cc	59kW (80)PS	TD3305	674
J6R 716	4 Cyl.	9.2:1	1995cc	77kW (105)PS	TD5064	681

18	10/81→12/86	MASTER	07/80→10/86	TRAFIC	03/80→10/97
-----------	-------------	---------------	-------------	---------------	-------------

87-334400-00 STD	08-334400-00 STD →08/89	14-637160-00 WH B 93.60 C 140.50 D 104.00 E 93.08	89-334400-00 87-334400-00 + 14-637160-00
A 40.50 B+ 1.55 D 69.05 23x75	1.75 MO P 2.00 P 4.00 CR [26]		
	08-336300-00 STD 09/89→		
	1.50 MO P 1.75 P 3.00 CR [26]		
[26] Steel	[26] Acier	[26] Acciaio	[26] Acero

BE/PL	4	52.267/52.286	56.000/56.019	18.750	1.852	0.020/0.073	AL-LF	66600RA	01-4187/4 STD	
MB/HL 1-5	5	62.873/62.892	66.668/66.687	23.500	1.884	0.020/0.071	AL-LF	66507RA	H1052/5 STD 0.25	
→06/82										
MB/HL 1-5	5	62.861/62.880	66.668/66.687	23.250	1.884	0.030/0.093	AL-LF	66646RA	H1058/5 STD 0.25	
07/82→										

66507RA

66646RA


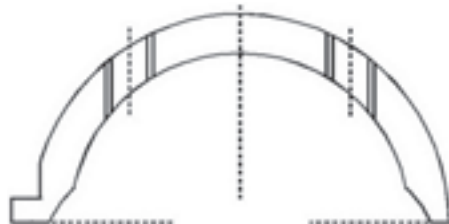
TW/A	2	71.450	88.090	2.850	BS	66506BF	A208/2 STD
------	---	--------	--------	-------	----	---------	----------------------

→06/82

TW/A	2	71.450	88.090	2.850	BS	66646BF	A210/2 STD
------	---	--------	--------	-------	----	---------	----------------------







07/82→

66506 BF

66646BF


...Continued

1396  **88.00** **Petrol**

		
<p>EG176 [41][42]</p> <p>With cylinder sleeve ring</p> <p>[42] Supplementary Article/Supplementary Info: with gaskets/seals</p>	<p>JJ558 (Felt) = PB852 16.00x24.00x1.500mm = PA349 22.00x16.00x2.000mm</p>  <p>JJ558</p>	<p>NF843  50.00x68.00x10.00mm, FPM/ACM NF844  90.00x110.00x11.00mm, FPM/ACM</p>

[41] Supplementary Article/Supplementary Info 2: With cylinder sleeve ring
 [42] Supplementary Article/Supplementary Info: with gaskets/seals

[41] Article complémentaire / Info complémentaire 2: avec deux bagues de chemises de cylindre
 [42] Article complémentaire / Info complémentaire: avec joints



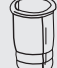
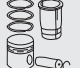

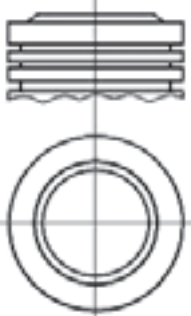






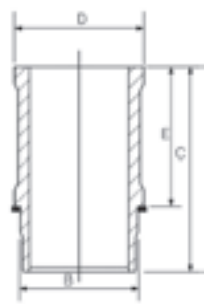
[41] Artículo complementario/ Información complementaria 2: con segmentos para camisa
 [42] Artículo complementario/Información complementaria: con juntas

[41] Articolo complementare/Info integrativa 2: Con anello tenuta canna cilindro
 [42] Articolo complementare/Info integrativa: con guarnizioni











1397  **88.00** **Petrol**

J5R 722	4 Cyl.	9.2:1	1995cc	59kW (80)PS	TD3304	674
J6R 706	4 Cyl.	9.2:1	1995cc	74kW (100)PS	TD3310	677
J6R 707	4 Cyl.	9.2:1	1995cc	74kW (100)PS	TD3311	677
J6R 760	4 Cyl.	9.2:1	1995cc	74kW (100)PS	TD3326	677
J6R 762	4 Cyl.	9.2:1	1995cc	74kW (100)PS	TD3327	677

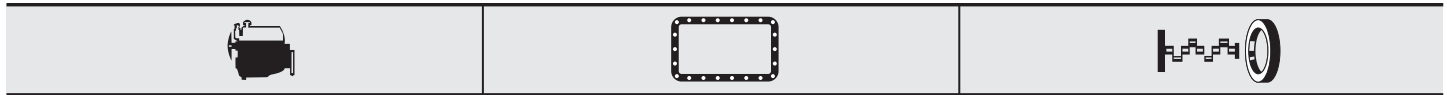
25 04/84 → 12/92 **TRAFIC** 06/86 → 04/89

			
<p>87-334400-00 STD</p> <p>A 40.50 B+ 1.55 D 69.05  23x75</p> 	<p>08-334400-00 STD →08/89</p> <p>1.75  MO P 2.00  P 4.00  CR [26]</p> <p>08-336300-00 STD 09/89 →</p> <p>1.50  MO P 1.75  P 3.00  CR [26]</p>	<p>14-637160-00 WH B 93.60 C 140.50 D 104.00 E 93.08</p> 	<p>89-334400-00 87-334400-00 + 14-637160-00</p>

[26] Steel [26] Acier [26] Acciaio [26] Acero

									
BE/PL	4	52.267/52.286	56.000/56.019	18.750	1.852	0.020/0.073	AL-LF	66600RA	01-4187/4 STD
MB/HL 1-5	5	62.861/62.880	66.668/66.687	23.250	1.884	0.030/0.093	AL-LF	66646RA	H1058/5 STD 0.25
TW/A	2	71.450	88.090		2.850		BS	66646BF	A210/2 STD

1397  **88.00** **Petrol**



EG176 [41][42]

JJ558
(Felt)

NF843  50.00x68.00x10.00mm, FPM/ACM



JJ558

[41] Supplementary Article/Supplementary Info 2:
With cylinder sleeve ring

[41] Article complémentaire / Info complémentaire 2:
avec deux bagues de chemises de cylindre

[41] Artículo complementario/ Información
complementaria 2: con segmentos para camisa

[41] Articolo complementare/Info integrativa 2:
Con anello tenuta canna cilindro

[42] Supplementary Article/Supplementary Info:
with gaskets/seals

[42] Article complémentaire /
Info complémentaire: avec joints






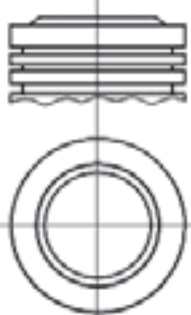






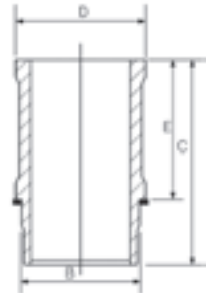
[42] Artículo complementario/Información
complementaria: con juntas



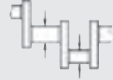







[42] Articolo complementare/Info
integrativa: con guarnizioni

1398  **88.00** **Petrol** 

J6R 234	4 Cyl.	9.2:1	1995cc	79-81kW (107-110)PS	TD3308	677
J6R 236	4 Cyl.	9.2:1	1995cc	80kW (108)PS	TD3309	677

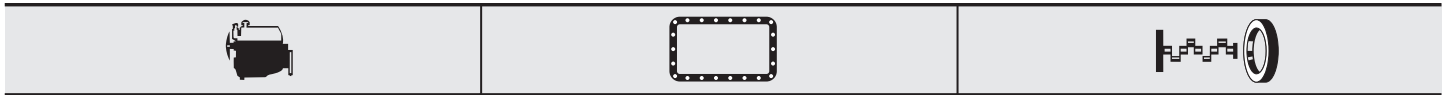
ESPACE 07/84→12/90


				
87-334400-00 STD A 40.50 B+ 1.55 D 69.05  23x75		08-334400-00 STD →08/89 1.75  MO P 2.00  P 4.00  CR [26] 08-336300-00 STD 09/89→ 1.50  MO P 1.75  P 3.00  CR [26]	14-637160-00 WH B 93.60 C 140.50 D 104.00 E 93.08 	89-334400-00 87-334400-00 + 14-637160-00
[26] Steel	[26] Acier	[26] Acciaio	[26] Acero	

									
BE/PL	4	52.267/52.286	56.000/56.019	18.750	1.852	0.020/0.073	AL-LF	66600RA	01-4187/4 STD
MB/HL 1-5	5	62.861/62.880	66.668/66.687	23.250	1.884	0.030/0.093	AL-LF	66646RA	H1058/5 STD 0.25
TW/A	2	71.450	88.090		2.850		BS	66646BF	A210/2 STD

...Continued

1398  **88.00** **Petrol**






 **EG176** [41][42]

JJ558
(Felt)
= **PB852**
16.00x24.00x1.500mm
= **PA349**
22.00x16.00x2.000mm



JJ558

NA5016  35.00x47.00x7.00mm, FPM/ACM
NF843  50.00x68.00x10.00mm, FPM/ACM
NF844  90.00x110.00x11.00mm, FPM/ACM

[41] Supplementary Article/Supplementary Info 2:
With cylinder sleeve ring
[42] Supplementary Article/Supplementary Info:
with gaskets/seals

[41] Article complémentaire / Info complémentaire 2:
avec deux bagues de chemises de cylindre
[42] Article complémentaire /
Info complémentaire: avec joints








[41] Artículo complementario/ Información
complementaria 2: con segmentos para camisa
[42] Artículo complementario/Información
complementaria: con juntas

[41] Articolo complementare/Info integrativa 2:
Con anello tenuta canna cilindro
[42] Articolo complementare/Info
integrativa: con guarnizioni

1399  **88.00** **Petrol** 

J6R 710	4 Cyl.	9.2:1	1995cc	81kW (110)PS	TD3312	678
J6R 712	4 Cyl.	9.2:1	1995cc	81kW (110)PS	TD3314	678
J6R 713	4 Cyl.	9.2:1	1995cc	81kW (110)PS	TD3315	678
J6R 715	4 Cyl.	9.2:1	1995cc	81kW (110)PS	TD3319	678

FUEGO 10/80 → 10/85

<p>87-334400-00 STD</p> <p>A 40.50 B+ 1.55 D 69.05  23x75</p>	<p>08-334400-00 STD →08/89</p> <p>1.75  MO P 2.00  P 4.00  CR [26]</p> <hr/> <p>08-336300-00 STD 09/89 →</p> <p>1.50  MO P 1.75  P 3.00  CR [26]</p>	<p>14-637160-00 WH B 93.60 C 140.50 D 104.00 E 93.08</p>	<p>89-334400-00 87-334400-00 + 14-637160-00</p>

[26] Steel

[26] Acier

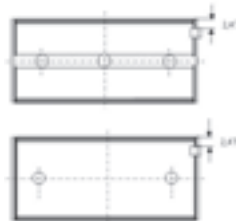
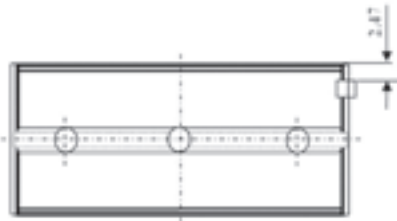
[26] Acciaio

[26] Acero

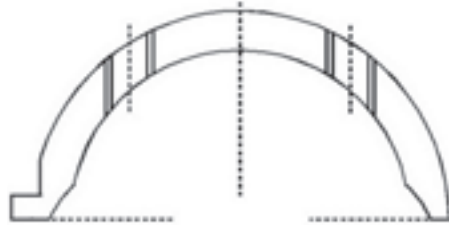
1399


88.00
Petrol

BE/PL	4	52.267/52.286	56.000/56.019	18.750	1.852	0.020/0.073	AL-LF	66600RA	01-4187/4 STD
MB/HL 1-5	5	62.873/62.892	66.668/66.687	23.500	1.884	0.020/0.071	AL-LF	66507RA	H1052/5 STD 0.25
→06/82									
MB/HL 1-5	5	62.861/62.880	66.668/66.687	23.250	1.884	0.030/0.093	AL-LF	66646RA	H1058/5 STD 0.25
07/82→									

66507RA
66646RA


TW/A	2	71.450	88.090	2.850	BS	66506BF	A208/2 STD
→06/82							
TW/A	2	71.450	88.090	2.850	BS	66646BF	A210/2 STD
07/82→							

66506 BF
66646BF


--	--	--

EG176 [41][42]

JJ558
(Felt)

JJ558
NF843 50.00x68.00x10.00mm, FPM/ACM

[41] Supplementary Article/Supplementary Info 2:
With cylinder sleeve ring

[42] Supplementary Article/Supplementary Info:
with gaskets/seals

[41] Article complémentaire / Info complémentaire 2:
avec deux bagues de chemises de cylindre

[42] Article complémentaire /
Info complémentaire: avec joints

[41] Artículo complementario/ Información
complementaria 2: con segmentos para camisa

[42] Artículo complementario/Información
complementaria: con juntas

[41] Articolo complementare/Info integrativa 2:
Con anello tenuta canna cilindro

[42] Articolo complementare/Info
integrativa: con guarnizioni

1400	88.00	Petrol				
J6R 714	4 Cyl.	9.2:1	1995cc	77kW (105)PS	TD5062	680
J6R 763	4 Cyl.	9.2:1	1995cc	74kW (100)PS	TD3328	677
J7R 721	4 Cyl.	9.3:1	1995cc	103kW (140)PS	TD3334	687
18	05/83→12/86	25	04/84→12/93			

BE/PL	4	52.267/52.286	56.000/56.019	18.750	1.852	0.020/0.073	AL-LF	66600RA	01-4187/4 STD	
MB/HL 1-5	5	62.861/62.880	66.668/66.687	23.250	1.884	0.030/0.093	AL-LF	66646RA	H1058/5 STD 0.25	
TW/A	2	71.450	88.090		2.850		BS	66646BF	A210/2 STD	

--	--	--

EG176 [41][42]

JJ558
(Felt)

NF843 50.00x68.00x10.00mm, FPM/ACM



JJ558

[41] Supplementary Article/Supplementary Info 2: With cylinder sleeve ring
 [42] Supplementary Article/Supplementary Info: with gaskets/seals

[41] Article complémentaire / Info complémentaire 2: avec deux bagues de chemises de cylindre
 [42] Article complémentaire / Info complémentaire: avec joints

[41] Artículo complementario/ Información complementaria 2: con segmentos para camisa
 [42] Artículo complementario/Información complementaria: con juntas

[41] Articolo complementare/Info integrativa 2: Con anello tenuta canna cilindro
 [42] Articolo complementare/Info integrativa: con guarnizioni

1401	88.00	Petrol				
J6R 734	4 Cyl.	9.2:1	1995cc	74kW (100)PS	TD3323	677
ESPACE	01/88→12/90					

BE/PL	4	52.267/52.286	56.000/56.019	18.750	1.852	0.020/0.073	AL-LF	66600RA	01-4187/4 STD	
MB/HL 1-5	5	62.861/62.880	66.668/66.687	23.250	1.884	0.030/0.093	AL-LF	66646RA	H1058/5 STD 0.25	
TW/A	2	71.450	88.090		2.850		BS	66646BF	A210/2 STD	

--	--	--

EG176 [41][42]

JJ558
(Felt)

NF843 50.00x68.00x10.00mm, FPM/ACM
NF844 90.00x110.00x11.00mm, FPM/ACM

PB852
16.00x24.00x1.500mm
PA349
22.00x16.00x2.000mm



JJ558

[41] Supplementary Article/Supplementary Info 2: With cylinder sleeve ring
 [42] Supplementary Article/Supplementary Info: with gaskets/seals

[41] Article complémentaire / Info complémentaire 2: avec deux bagues de chemises de cylindre
 [42] Article complémentaire / Info complémentaire: avec joints

[41] Artículo complementario/ Información complementaria 2: con segmentos para camisa
 [42] Artículo complementario/Información complementaria: con juntas

[41] Articolo complementare/Info integrativa 2: Con anello tenuta canna cilindro
 [42] Articolo complementare/Info integrativa: con guarnizioni

1402

88.00
Petrol


J6R 758	4 Cyl.	9.2:1	1995cc	75kW (102)PS	TD3324	682
J6R 759	4 Cyl.	9.2:1	1995cc	75kW (102)PS	TD3325	683
J6R 792	4 Cyl.	9.2:1	1995cc	75kW (102)PS	TD3329	684
J6R 793	4 Cyl.	9.2:1	1995cc	75kW (102)PS	TD3330	685
J7R 746	4 Cyl.	10:1	1995cc	88kW (120)PS	TD3345	693
J7R 747	4 Cyl.	10:1	1995cc	88kW (120)PS	TD3346	693
J7R 751	4 Cyl.	10:1	1995cc	85kW (116)PS	TD3348	694
J7R 760	4 Cyl.	10:1	1995cc	87-88kW (118-120)PS	TD3352	693
J7R 768	4 Cyl.	9.2:1	1995cc	76kW (103)PS	TD3353	697

21 03/86 → 12/93 **ESPACE** 03/88 → 10/96

87-334400-00 STD 	08-334400-00 STD →08/89 1.75 MO P 2.00 P 4.00 CR [26]	14-637160-00 WH B 93.60 C 140.50 D 104.00 E 93.08 	89-334400-00 87-334400-00 + 14-637160-00
A 40.50 B+ 1.55 D 69.05 23x75	08-336300-00 STD 09/89 → 1.50 MO P 1.75 P 3.00 CR [26]		
[26] Steel	[26] Acier	[26] Acciaio	[26] Acero

BE/PL	4	52.267/52.286	56.000/56.019	18.750	1.852	0.020/0.073	AL-LF	66600RA	01-4187/4 STD
MB/HL 1-5	5	62.861/62.880	66.668/66.687	23.250	1.884	0.030/0.093	AL-LF	66646RA	H1058/5 STD 0.25
TW/A	2	71.450	88.090		2.850		BS	66646BF	A210/2 STD

EG176 [41][42]	JJ558 (Felt) JJ559 (Steel Elastomer) =PB852 16.00x24.00x1.500mm =PA349 22.00x16.00x2.000mm 	NF843 50.00x68.00x10.00mm, FPM/ACM NF844 90.00x110.00x11.00mm, FPM/ACM
	JJ558 JJ559	

[41] Supplementary Article/Supplementary Info 2:
With cylinder sleeve ring

[42] Supplementary Article/Supplementary Info:
with gaskets/seals

[41] Article complémentaire / Info complémentaire 2:
avec deux bagues de chemises de cylindre

[42] Article complémentaire /
Info complémentaire: avec joints

[41] Artículo complementario/ Información
complementaria 2: con segmentos para camisa

[42] Artículo complementario/Información
complementaria: con juntas

[41] Articolo complementare/Info integrativa 2:
Con anello tenuta canna cilindro

[42] Articolo complementare/Info
integrativa: con guarnizioni

1403



88.00

Petrol



J7R 720

4 Cyl.

9.3:1

1995cc

103kW (140)PS

TD3333

686

25

06/88→12/93

		<p>14-637160-00 WH B 93.60 C 140.50 D 104.00 E 93.08</p>	

BE/PL	4	52.267/52.286	56.000/56.019	18.750	1.852	0.020/0.073	AL-LF	66600RA	01-4187/4 STD
MB/HL 1-5	5	62.861/62.880	66.668/66.687	23.250	1.884	0.030/0.093	AL-LF	66646RA	H1058/5 STD 0.25
TW/A	2	71.450	88.090		2.850		BS	66646BF	A210/2 STD

--	--	--

EG176 [41][42]

JJ558
(Felt)

NF843 50.00x68.00x10.00mm, FPM/ACM



JJ558

[41] Supplementary Article/Supplementary Info 2:
With cylinder sleeve ring

[42] Supplementary Article/Supplementary Info:
with gaskets/seals

[41] Article complémentaire / Info complémentaire 2:
avec deux bagues de chemises de cylindre

[42] Article complémentaire /
Info complémentaire: avec joints

[41] Artículo complementario/ Información
complementaria 2: con segmentos para camisa

[42] Artículo complementario/Información
complementaria: con juntas

[41] Articolo complementare/Info integrativa 2:
Con anello tenuta canna cilindro

[42] Articolo complementare/Info
integrativa: con guarnizioni

1404


88.00
Petrol


J7R 722	4 Cyl.	10:1	1995cc	88kW (120)PS	TD3335	688
J7R 723	4 Cyl.	10:1	1995cc	88kW (120)PS	TD3336	688
25 03/87→12/93						

87-334400-00	STD	08-334400-00	STD	14-637160-00 WH		89-334400-00	
		→08/89		B 93.60 C 140.50 D 104.00 E 93.08		87-334400-00 +	14-637160-00
A 40.50		1.75	MO P				
B+ 1.55		2.00	P				
D 69.05		4.00	CR [26]				
23x75		08-336300-00	STD				
		09/89→					
		1.50	MO P				
		1.75	P				
		3.00	CR [26]				
[26] Steel	[26] Acier	[26] Acciaio	[26] Acero				

BE/PL	4	52.267/52.286	56.000/56.019	18.750	1.852	0.020/0.073	AL-LF	66600RA	01-4187/4
MB/HL	5	62.861/62.880	66.668/66.687	23.250	1.884	0.030/0.093	AL-LF	66646RA	H1058/5
TW/A	2	71.450	88.090		2.850		BS	66646BF	STD 0.25
									A210/2
									STD

EG176 [41][42]									NF843 50.00x68.00x10.00mm, FPM/ACM
[41] Supplementary Article/Supplementary Info 2: With cylinder sleeve ring	[41] Article complémentaire / Info complémentaire 2: avec deux bagues de chemises de cylindre	[41] Artículo complementario / Información complementaria 2: con segmentos para camisa	[41] Articolo complementare/Info integrativa 2: Con anello tenuta canna cilindro						
[42] Supplementary Article/Supplementary Info: with gaskets/seals	[42] Article complémentaire / Info complémentaire: avec joints	[42] Artículo complementario/Información complementaria: con juntas	[42] Articolo complementare/Info integrativa: con guarnizioni						

1405

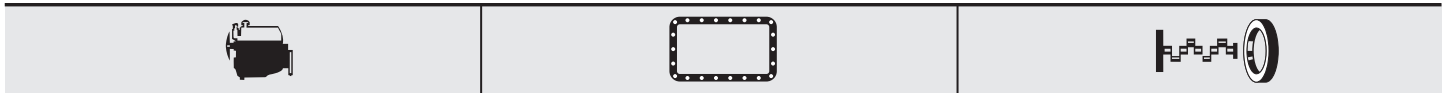

88.00
Petrol


J7R 726	4 Cyl.	9.3:1	1995cc	99-100kW (135-136)PS	TD3337	686
25 06/89→12/92						

BE/PL	4	52.267/52.286	56.000/56.019	18.750	1.852	0.020/0.073	AL-LF	66600RA	01-4187/4
MB/HL	5	62.861/62.880	66.668/66.687	23.250	1.884	0.030/0.093	AL-LF	66646RA	H1058/5
TW/A	2	71.450	88.090		2.850		BS	66646BF	STD 0.25
									A210/2
									STD

...Continued

1405  **88.00** **Petrol**





 **EG176** [41][42]

JJ562
(Elastomer)
= **PB852**
16.00x24.00x1.500mm
= **PA349**
22.00x16.00x2.000mm



JJ562

NF843  50.00x68.00x10.00mm, FPM/ACM
NF844  90.00x110.00x11.00mm, FPM/ACM

[41] Supplementary Article/Supplementary Info 2:
With cylinder sleeve ring
[42] Supplementary Article/Supplementary Info:
with gaskets/seals

[41] Article complémentaire / Info complémentaire 2:
avec deux bagues de chemises de cylindre
[42] Article complémentaire /
Info complémentaire: avec joints

[41] Artículo complementario/ Información
complementaria 2: con segmentos para camisa
[42] Artículo complementario/Información
complementaria: con juntas

[41] Articolo complementare/Info integrativa 2:
Con anello tenuta canna cilindro
[42] Articolo complementare/Info
integrativa: con guarnizioni

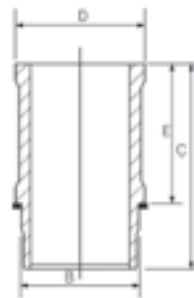
1406  **88.00** **Petrol**



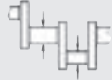
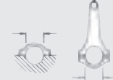






J7R 732 4 Cyl. 9.2:1 1995cc **77kW (105)PS** **TD3338** **689**

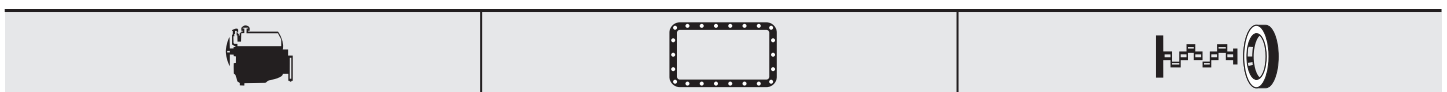
SAFRANE 11/92→07/96




14-637160-00 WH
B 93.60 C 140.50 D 104.00 E 93.08

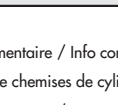


									
BE/PL	4	52.267/52.286	56.000/56.019	18.750	1.852	0.020/0.073	AL-LF	66600RA	01-4187/4 STD
MB/HL 1-5	5	62.861/62.880	66.668/66.687	23.250	1.884	0.030/0.093	AL-LF	66646RA	H1058/5 STD 0.25
TW/A	2	71.450	88.090		2.850		BS	66646BF	A210/2 STD



 **EG176** [41][42]

JJ562
(Elastomer)
= **PB852**
16.00x24.00x1.500mm
= **PA349**
22.00x16.00x2.000mm



JJ562

NF843  50.00x68.00x10.00mm, FPM/ACM

[41] Supplementary Article/Supplementary Info 2:
With cylinder sleeve ring
[42] Supplementary Article/Supplementary Info:
with gaskets/seals

[41] Article complémentaire / Info complémentaire 2:
avec deux bagues de chemises de cylindre
[42] Article complémentaire /
Info complémentaire: avec joints

[41] Artículo complementario/ Información
complementaria 2: con segmentos para camisa
[42] Artículo complementario/Información
complementaria: con juntas

[41] Articolo complementare/Info integrativa 2:
Con anello tenuta canna cilindro
[42] Articolo complementare/Info
integrativa: con guarnizioni

1407


88.00
Petrol


J7R 733	4 Cyl.	9.2:1	1995cc	77kW (105)PS	TD3339	689
J7R 734	4 Cyl.	9.3:1	1995cc	97-99kW (132-135)PS	TD3340	690
J7R 735	4 Cyl.	9.3:1	1995cc	97-99kW (132-135)PS	TD3341	690

SAFRANE 04/92→07/96

BE/PL	4	52.267/52.286	56.000/56.019	18.750	1.852	0.020/0.073	AL-LF	66600RA	01-4187/4 STD
MB/HL 1-5	5	62.861/62.880	66.668/66.687	23.250	1.884	0.030/0.093	AL-LF	66646RA	H1058/5 STD 0.25
TW/A	2	71.450	88.090		2.850		BS	66646BF	A210/2 STD

--	--	--

EG176 [41][42]

[41] Supplementary Article/Supplementary Info 2:
With cylinder sleeve ring

[42] Supplementary Article/Supplementary Info:
with gaskets/seals

[41] Article complémentaire / Info complémentaire 2:
avec deux bagues de chemises de cylindre

[42] Article complémentaire /
Info complémentaire: avec joints

[41] Artículo complementario/ Información
complementaria 2: con segmentos para camisa

[42] Artículo complementario/Información
complementaria: con juntas

NF843 50.00x68.00x10.00mm, FPM/ACM

[41] Articolo complementare/Info integrativa 2:
Con anello tenuta canna cilindro

[42] Articolo complementare/Info
integrativa: con guarnizioni

1408


88.00
Petrol


J7R 738	4 Cyl.	9.3:1	1995cc	97-99kW (135-135)PS	TD3342	691
J7R 739	4 Cyl.	9.3:1	1995cc	97-99kW (135-135)PS	TD3343	691

BE/PL	4	52.267/52.286	56.000/56.019	18.750	1.852	0.020/0.073	AL-LF	66600RA	01-4187/4 STD
MB/HL 1-5	5	62.861/62.880	66.668/66.687	23.250	1.884	0.030/0.093	AL-LF	66646RA	H1058/5 STD 0.25
TW/A	2	71.450	88.090		2.850		BS	66646BF	A210/2 STD

--	--	--

EG176 [41][42]

[41] Supplementary Article/Supplementary Info 2:
With cylinder sleeve ring

[42] Supplementary Article/Supplementary Info:
with gaskets/seals

[41] Article complémentaire / Info complémentaire 2:
avec deux bagues de chemises de cylindre

[42] Article complémentaire /
Info complémentaire: avec joints

[41] Artículo complementario/ Información
complementaria 2: con segmentos para camisa

[42] Artículo complementario/Información
complementaria: con juntas

[41] Articolo complementare/Info integrativa 2:
Con anello tenuta canna cilindro

[42] Articolo complementare/Info
integrativa: con guarnizioni

1409


88.00
Petrol

J7R 740

4 Cyl.

9.3:1

1995cc

99-100kW (134-136)PS
TD3344
692

21

07/89→06/94

<p>87-334400-00 STD</p> <p>A 40.50 B+ 1.55 D 69.05 23x75</p>	<p>08-334400-00 STD →08/89</p> <p>1.75 MO P 2.00 P 4.00 CR [26]</p> <p>08-336300-00 STD 09/89→</p> <p>1.50 MO P 1.75 P 3.00 CR [26]</p>	<p>14-637160-00 WH B 93.60 C 140.50 D 104.00 E 93.08</p>	<p>89-334400-00 87-334400-00 + 14-637160-00</p>

[26] Steel

[26] Acier

[26] Acciaio

[26] Acero

BE/PL	4	52.267/52.286	56.000/56.019	18.750	1.852	0.020/0.073	AL-LF	66600RA	01-4187/4 STD
MB/HL 1-5	5	62.861/62.880	66.668/66.687	23.250	1.884	0.030/0.093	AL-LF	66646RA	H1058/5 STD 0.25
TW/A	2	71.450	88.090		2.850		BS	66646BF	A210/2 STD

<p>EG176 [41][42]</p>	<p>JJ562 (Elastomer) =PB852 16.00x24.00x1.500mm =PA349 22.00x16.00x2.000mm</p> <p>JJ562</p>	<p>NF843 50.00x68.00x10.00mm, FPM/ACM NF844 90.00x110.00x11.00mm, FPM/ACM</p>

 [41] Supplementary Article/Supplementary Info 2:
With cylinder sleeve ring

 [42] Supplementary Article/Supplementary Info:
with gaskets/seals

 [41] Article complémentaire / Info complémentaire 2:
avec deux bagues de chemises de cylindre

 [42] Article complémentaire /
Info complémentaire: avec joints

 [41] Artículo complementario/ Información
complementaria 2: con segmentos para camisa

 [42] Artículo complementario/Información
complementaria: con juntas

 [41] Articolo complementare/Info integrativa 2:
Con anello tenuta canna cilindro

 [42] Articolo complementare/Info
integrativa: con guarnizioni

RENAULT/DACIA

1410


88.00
Petrol

J7R 750 4 Cyl. 10:1 1995cc **85kW (116)PS** **TD3347** **694**
21 03/86 → 06/92

BE/PL	4	52.267/52.286	56.000/56.019	18.750	1.852	0.020/0.073	AL-LF	66600RA	01-4187/4 STD
MB/HL 1-5	5	62.861/62.880	66.668/66.687	23.250	1.884	0.030/0.093	AL-LF	66646RA	H1058/5 STD 0.25
TW/A	2	71.450	88.090		2.850		BS	66646BF	A210/2 STD

--	--	--

EG176 [41][42]

JJ558
(Felt)
JJ559
(Steel Elastomer)
= **PB852**
16.00x24.00x1.500mm
= **PA349**
22.00x16.00x2.000mm

JJ558
JJ559
NF843 50.00x68.00x10.00mm, FPM/ACM
NF844 90.00x110.00x11.00mm, FPM/ACM

 [41] Supplementary Article/Supplementary Info 2:
With cylinder sleeve ring

 [41] Article complémentaire / Info complémentaire 2:
avec deux bagues de chemises de cylindre

 [41] Artículo complementario/ Información
complementaria 2: con segmentos para camisa

 [41] Articolo complementare/Info integrativa 2:
Con anello tenuta canna cilindro

 [42] Supplementary Article/Supplementary Info:
with gaskets/seals

 [42] Article complémentaire /
Info complémentaire: avec joints

 [42] Artículo complementario/Información
complementaria: con juntas

 [42] Articolo complementare/Info
integrativa: con guarnizioni

1411


88.00
Petrol

J7R 752 4 Cyl. 8:1 1995cc **129kW (175)PS** **TD3349** **695**
21 04/87 → 10/93

		08-334400-00 STD →08/89 1.75 MO P 2.00 P 4.00 CR [26]							
		08-336300-00 STD 09/89 → 1.50 MO P 1.75 P 3.00 CR [26]							

[26] Steel










[26] Acier







[26] Acciaio


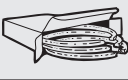


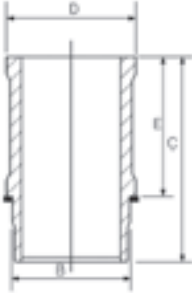
[26] Acero



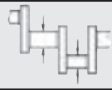
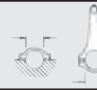






MB/HL 1-5	5	62.861/62.880	66.668/66.687	23.250	1.884	0.030/0.093	AL-LF	66646RA	H1058/5 STD 0.25
TW/A	2	71.450	88.090		2.850		BS	66646BF	A210/2 STD

...Continued







1411	 88.00	Petrol	
			
 EG176 [41][42]	JJ559 (Steel Elastomer) → Eng.F00209862 ⇒PB852 16.00x24.00x1.500mm ⇒PA349 22.00x16.00x2.000mm JJ562 (Elastomer) Eng.F00209863 →	NF843  50.00x68.00x10.00mm, FPM/ACM NF844  90.00x110.00x11.00mm, FPM/ACM	
	 JJ559	 JJ562	
[41] Supplementary Article/Supplementary Info 2: With cylinder sleeve ring	[41] Article complémentaire / Info complémentaire 2: avec deux bagues de chemises de cylindre	[41] Artículo complementario/ Información complementaria 2: con segmentos para camisa	[41] Articulo complementare/Info integrativa 2: Con anello tenuta canna cilindro
[42] Supplementary Article/Supplementary Info: with gaskets/seals	[42] Article complémentaire / Info complémentaire: avec joints	[42] Artículo complementario/Información complementaria: con juntas	[42] Articulo complementare/Info integrativa: con guarnizioni

1412	 88.00	Petrol		
J7R 754	4 Cyl.	9.3:1	1995cc	98-100kW (133-136)PS
21	07/89 → 05/93			
				

				
		14-637160-00 WH B 93.60 C 140.50 D 104.00 E 93.08		
				

									
BE/PL	4	52.267/52.286	56.000/56.019	18.750	1.852	0.020/0.073	AL-LF	66600RA	01-4187/4 STD
MB/HL 1-5	5	62.861/62.880	66.668/66.687	23.250	1.884	0.030/0.093	AL-LF	66646RA	H1058/5 STD 0.25
TW/A	2	71.450	88.090		2.850		BS	66646BF	A210/2 STD

1412  **88.00** **Petrol**



		
<p>EG176 [41] [42]</p>	<p>JJ562 (Elastomer) = PB852 16.00x24.00x1.500mm = PA349 22.00x16.00x2.000mm</p> 	<p>NF843  50.00x68.00x10.00mm, FPM/ACM NF844  90.00x110.00x11.00mm, FPM/ACM</p>

[41] Supplementary Article/Supplementary Info 2: With cylinder sleeve ring
 [42] Supplementary Article/Supplementary Info: with gaskets/seals

[41] Article complémentaire / Info complémentaire 2: avec deux bagues de chemises de cylindre
 [42] Article complémentaire / Info complémentaire: avec joints

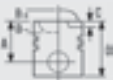






[41] Artículo complementario/ Información complementaria 2: con segmentos para camisa
 [42] Artículo complementario/Información complementaria: con juntas

[41] Articolo complementare/Info integrativa 2: Con anello tenuta canna cilindro
 [42] Articolo complementare/Info integrativa: con guarnizioni











1413  **88.00** **Petrol** 

J7R 756 4 Cyl. 8.5:1 1995cc **119kW (162)PS** **TD3351** **695**




21 02/90→10/92

			
<p>08-336300-00 STD</p> <p>1.50  MO P 1.75  P 3.00  CR [26]</p>			

[26] Steel [26] Acier [26] Acciaio [26] Acero

									
MB/HL 1-5	5	62.861/62.880	66.668/66.687	23.250	1.884	0.030/0.093	AL-LF	66646RA	H1058/5 STD 0.25
TW/A	2	71.450	88.090		2.850		BS	66646BF	A210/2 STD

		
---	---	---

<p>EG176 [41] [42]</p>	<p>JJ562 (Elastomer) = PB852 16.00x24.00x1.500mm = PA349 22.00x16.00x2.000mm</p> 	<p>NF843  50.00x68.00x10.00mm, FPM/ACM NF844  90.00x110.00x11.00mm, FPM/ACM</p>
-------------------------------	---	---

[41] Supplementary Article/Supplementary Info 2: With cylinder sleeve ring
 [42] Supplementary Article/Supplementary Info: with gaskets/seals

[41] Article complémentaire / Info complémentaire 2: avec deux bagues de chemises de cylindre
 [42] Article complémentaire / Info complémentaire: avec joints

[41] Artículo complementario/ Información complementaria 2: con segmentos para camisa
 [42] Artículo complementario/Información complementaria: con juntas

[41] Articolo complementare/Info integrativa 2: Con anello tenuta canna cilindro
 [42] Articolo complementare/Info integrativa: con guarnizioni

1414



88.00

Petrol



851 700

4 Cyl.

9.2:1

2165cc

85kW (115)PS

TD3076

698

20

10/80 → 12/83

	<p>08-334400-00 STD →08/89</p> <p>1.75 MO P 2.00 P 4.00 CR [26]</p>	<p>14-637160-00 WH B 93.60 C 140.50 D 104.00 E 93.08</p>	
	<p>08-336300-00 STD 09/89 →</p> <p>1.50 MO P 1.75 P 3.00 CR [26]</p>		

[26] Steel

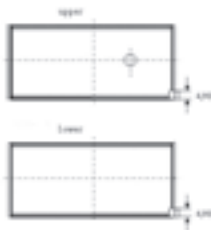
[26] Acier

[26] Acciaio

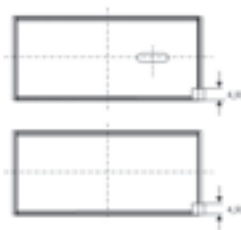
[26] Acero

BE/PL	4	56.267/56.286	60.005/60.019	20.750	1.842	0.035/0.093	AL-LF	66635RA	01-4189/4 STD 0.25
BE/PL	4	56.267/56.286	60.005/60.019	20.750	1.842	0.035/0.093	AL-LF	66645RA	01-4191/4 STD 0.25
BE/PL	4	56.267/56.286	60.005/60.019	20.750	1.842	0.035/0.093	AL-LF	66645RAA	01-4192/4 STD 0.25

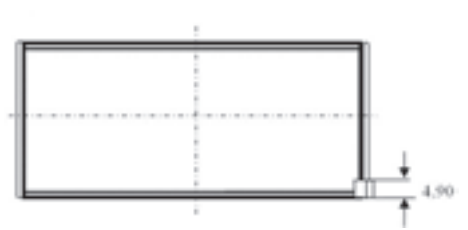
66635RA



66645RA



66645RAA



MB/HL
1-5

5

62.873/62.892

66.668/66.687

23.500

1.884

0.020/0.071

AL-LF

66507RA

H1052/5
STD 0.25

MB/HL
1-5

5

62.861/62.880

66.668/66.687

23.250

1.884

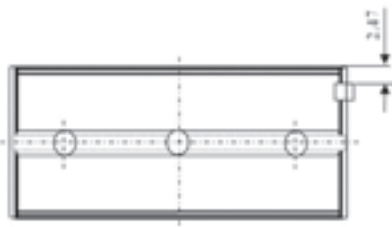
0.030/0.093

AL-LF

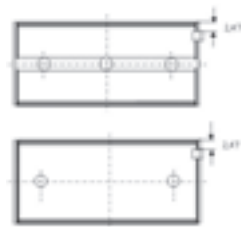
66646RA

H1058/5
STD 0.25











66507RA



66646RA



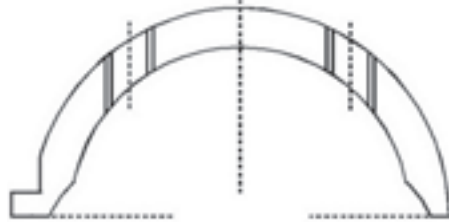
1414 88.00 Petrol


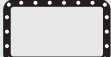
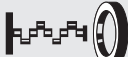
									
TW/A	2	71.450	88.090		2.850		BS	66506BF	A208/2 STD
TW/A	2	71.450	88.090		2.850		BS	66646BF	A210/2 STD

66506 BF



66646BF





		
---	---	---

 EG176 [41][42]

JJ558
(Felt)
=PB852
16.00x24.00x1.500mm
=PA349
22.00x16.00x2.000mm



JJ558

NF843  50.00x68.00x10.00mm, FPM/ACM
NF844  90.00x110.00x11.00mm, FPM/ACM

[41] Supplementary Article/Supplementary Info 2:
With cylinder sleeve ring
[42] Supplementary Article/Supplementary Info:
with gaskets/seals











[41] Article complémentaire / Info complémentaire 2:
avec deux bagues de chemises de cylindre
[42] Article complémentaire /
Info complémentaire: avec joints


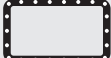

[41] Artículo complementario/ Información
complementaria 2: con segmentos para camisa
[42] Artículo complementario/Información
complementaria: con juntas


[41] Articolo complementare/Info integrativa 2:
Con anello tenuta canna cilindro
[42] Articolo complementare/Info
integrativa: con guarnizioni

1415 88.00 Petrol

J6T 790	4 Cyl.	9.8:1	2165cc	85kW (116)PS	TD3331
J6T 791	4 Cyl.	9.8:1	2165cc	85kW (116)PS	TD3332

									
BE/PL	4	56.267/56.286	60.005/60.019	20.750	1.842	0.035/0.093	AL-LF	66645RA	01-4191/4 STD 0.25
MB/HL 1-5	5	62.873/62.892	66.668/66.687	23.500	1.884	0.020/0.071	AL-LF	66507RA	H1052/5 STD 0.25
TW/A	2	71.450	88.090		2.850		BS	66506BF	A208/2 STD

		
---	---	---

 EG176 [41][42]

[41] Supplementary Article/Supplementary Info 2:
With cylinder sleeve ring
[42] Supplementary Article/Supplementary Info:
with gaskets/seals

[41] Article complémentaire / Info complémentaire 2:
avec deux bagues de chemises de cylindre
[42] Article complémentaire /
Info complémentaire: avec joints

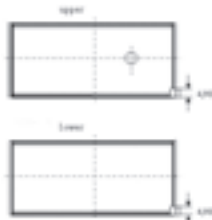
[41] Artículo complementario/ Información
complementaria 2: con segmentos para camisa
[42] Artículo complementario/Información
complementaria: con juntas

[41] Articolo complementare/Info integrativa 2:
Con anello tenuta canna cilindro
[42] Articolo complementare/Info
integrativa: con guarnizioni

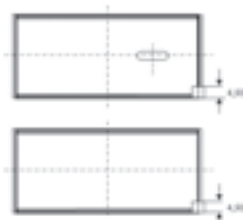
1416	88.00	Petrol				
J7T 284	4 Cyl.	9.2:1	2165cc	74kW (100)PS	TD3354	
J7T 708	4 Cyl.	9.9:1	2165cc	79kW (107)PS	TD3357	700
J7T 718	4 Cyl.	8.7:1	2165cc	77kW (105)PS	TD3360	700
J7T 719	4 Cyl.	8.7:1	2165cc	77kW (105)PS	TD3362	670
J7T 734	4 Cyl.		2165cc	75-80kW (102-109)PS	TD3368	
J7T 736	4 Cyl.	9.2:1	2165cc	79kW (107)PS	TD3369	
J7T 756	4 Cyl.	9.2:1	2165cc	79-81kW (107-110)PS	TD3372	701
18	06/84→07/86	25	09/86→12/92			

BE/PL	4	56.267/56.286	60.005/60.019	20.750	1.842	0.035/0.093	AL-LF	66635RA	01-4189/4 STD 0.25
BE/PL	4	56.267/56.286	60.005/60.019	20.750	1.842	0.035/0.093	AL-LF	66645RA	01-4191/4 STD 0.25
BE/PL	4	56.267/56.286	60.005/60.019	20.750	1.842	0.035/0.093	AL-LF	66645RAA	01-4192/4 STD 0.25

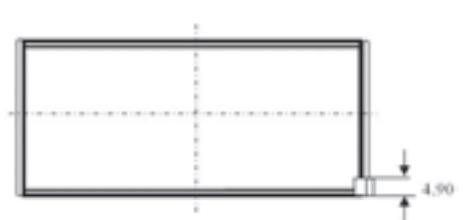
66635RA



66645RA



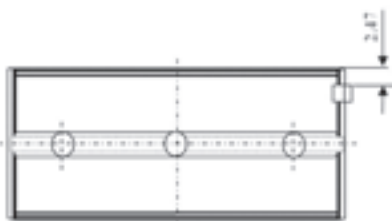
66645RAA



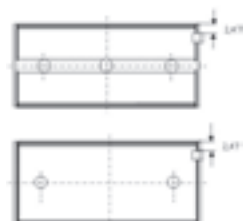
MB/HL
1-5

5	62.873/62.892	66.668/66.687	23.500	1.884	0.020/0.071
5	62.861/62.880	66.668/66.687	23.250	1.884	0.030/0.093

66507RA



66646RA



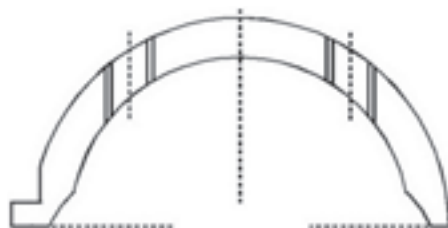
TW/A

2	71.450	88.090	2.850
2	71.450	88.090	2.850

66506 BF



66646BF

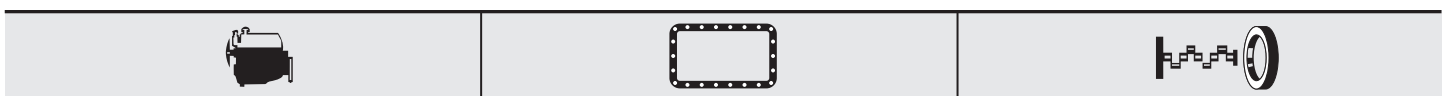


TW/A

2	71.450	88.090	2.850
2	71.450	88.090	2.850

BS

66506BF	A208/2 STD
66646BF	A210/2 STD



EG176 [41][42] [41] Supplementary Article/Supplementary Info 2: With cylinder sleeve ring [42] Supplementary Article/Supplementary Info: with gaskets/seals	[41] Article complémentaire / Info complémentaire 2: avec deux bagues de chemises de cylindre [42] Article complémentaire / Info complémentaire: avec joints	[41] Artículo complementario/ Información complementaria 2: con segmentos para camisa [42] Artículo complementario/Información complementaria: con juntas	NF843 50.00x68.00x10.00mm, FPM/ACM [41] Articolo complementare/Info integrativa 2: Con anello tenuta canna cilindro [42] Articolo complementare/Info integrativa: con guarnizioni
--	---	--	--

1417



88.00

Petrol



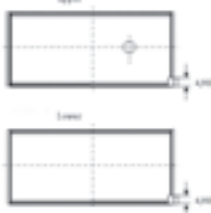
J7T 600	4 Cyl.	10:1	2165cc	74kW (100)PS	TD5563	699
J7T 776	4 Cyl.	10:1	2165cc	79-81kW (107-110)PS	TD3379	706
SPACE	01/91 → 10/96		TRAFIC	06/94 → 04/98		

08-336300-00 STD 1.50 MO P 1.75 P 3.00 CR [26]			

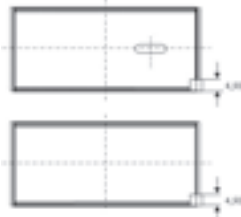
[26] Steel [26] Acier [26] Acciaio [26] Acero

BE/PL	4	56.267/56.286	60.005/60.019	20.750	1.842	0.035/0.093	AL-LF	66635RA	01-4189/4 STD 0.25
BE/PL	4	56.267/56.286	60.005/60.019	20.750	1.842	0.035/0.093	AL-LF	66645RA	01-4191/4 STD 0.25
BE/PL	4	56.267/56.286	60.005/60.019	20.750	1.842	0.035/0.093	AL-LF	66645RAA	01-4192/4 STD 0.25

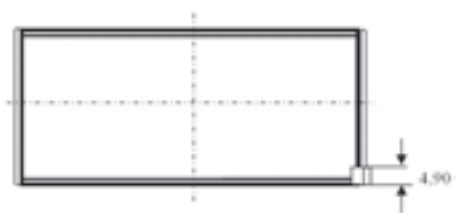
66635RA



66645RA

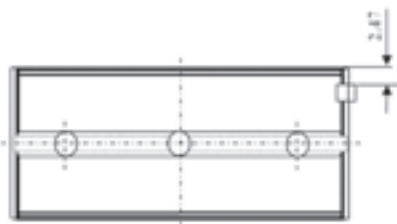


66645RAA

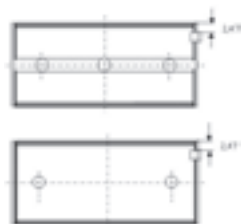


MB/HL 1-5	5	62.873/62.892	66.668/66.687	23.500	1.884	0.020/0.071	AL-LF	66507RA	H1052/5 STD 0.25
MB/HL 1-5	5	62.861/62.880	66.668/66.687	23.250	1.884	0.030/0.093	AL-LF	66646RA	H1058/5 STD 0.25

66507RA



66646RA

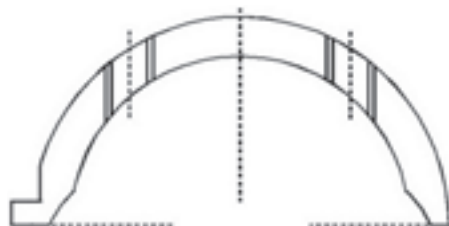


TW/A	2	71.450	88.090	2.850	BS	66506BF	A208/2 STD
TW/A	2	71.450	88.090	2.850	BS	66646BF	A210/2 STD






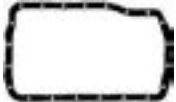



66506 BF















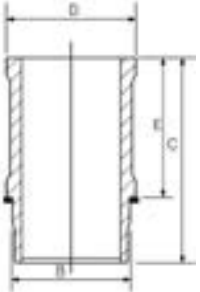
66646BF



...Continued

1417  88.00 Petrol		
		
<p> EG176 [41][42]</p>	<p>JJ558 (Felt) JJ559 (Steel Elastomer) ⇒ PB852 16.00x24.00x1.500mm ⇒ PA349 22.00x16.00x2.000mm</p> <div style="display: flex; justify-content: space-around;">   </div> <p style="display: flex; justify-content: space-around;">JJ558 JJ559</p>	<p>NF843  50.00x68.00x10.00mm, FPM/ACM NF844  90.00x110.00x11.00mm, FPM/ACM</p>
<p>[41] Supplementary Article/Supplementary Info 2: With cylinder sleeve ring</p> <p>[42] Supplementary Article/Supplementary Info: with gaskets/seals</p>	<p>[41] Article complémentaire / Info complémentaire 2: avec deux bagues de chemises de cylindre</p> <p>[42] Article complémentaire / Info complémentaire: avec joints</p>	<p>[41] Artículo complementario/ Información complementaria 2: con segmentos para camisa</p> <p>[42] Artículo complementario/Información complementaria: con juntas</p>
		<p>[41] Articolo complementare/Info integrativa 2: Con anello tenuta canna cilindro</p> <p>[42] Articolo complementare/Info integrativa: con guarnizioni</p>

1418  88.00 Petrol 					
J7T 706	4 Cyl.	10:1	2165cc	89kW (121)PS	TD3355 700
J7T 714	4 Cyl.	10:1	2165cc	89-91kW (121-124)PS	TD3358 700
J7T 715	4 Cyl.	10:1	2165cc	89-91kW (121-124)PS	TD3359 700
J7T 730	4 Cyl.	10:1	2165cc	91kW (124)PS	TD3364 700
J7T 754	4 Cyl.	10:1	2165cc	79kW (107)PS	TD3370 700
21	06/86 → 06/94	25	04/84 → 12/89		

			
	<p>08-334400-00 STD →08/89</p> <p>1.75  MO P 2.00  P 4.00  CR [26]</p> <p>08-336300-00 STD 09/89 →</p> <p>1.50  MO P 1.75  P 3.00  CR [26]</p>	<p>14-637160-00 WH B 93.60 C 140.50 D 104.00 E 93.08</p> 	
[26] Steel	[26] Acier	[26] Acciaio	[26] Acero

1418

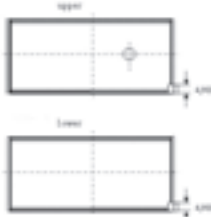


88.00

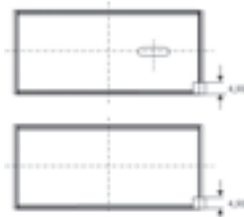
Petrol

BE/PL	4	56.267/56.286	60.005/60.019	20.750	1.842	0.035/0.093	AL-LF	66635RA	01-4189/4 STD 0.25
BE/PL	4	56.267/56.286	60.005/60.019	20.750	1.842	0.035/0.093	AL-LF	66645RA	01-4191/4 STD 0.25
BE/PL	4	56.267/56.286	60.005/60.019	20.750	1.842	0.035/0.093	AL-LF	66645RAA	01-4192/4 STD 0.25

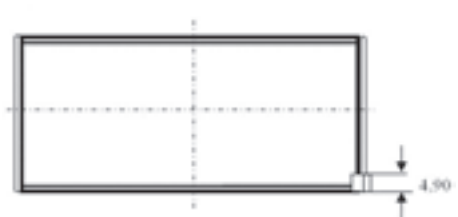
66635RA



66645RA

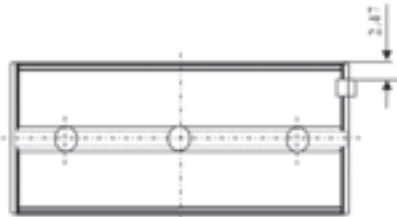


66645RAA

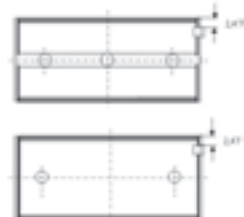


MB/HL 1-5	5	62.873/62.892	66.668/66.687	23.500	1.884	0.020/0.071	AL-LF	66507RA	H1052/5 STD 0.25
MB/HL 1-5	5	62.861/62.880	66.668/66.687	23.250	1.884	0.030/0.093	AL-LF	66646RA	H1058/5 STD 0.25

66507RA



66646RA

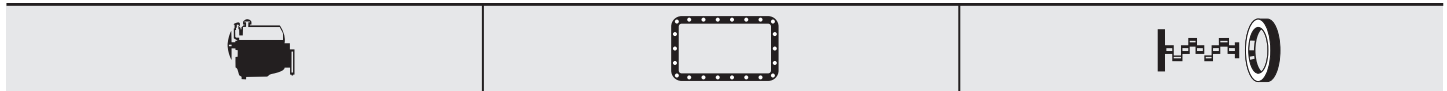
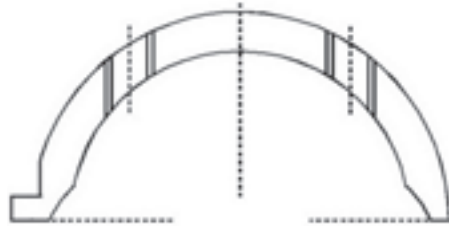


TW/A	2	71.450	88.090	2.850	BS	66506BF	A208/2 STD
TW/A	2	71.450	88.090	2.850	BS	66646BF	A210/2 STD

66506 BF



66646BF



EG176 [41] [42]

[41] Supplementary Article/Supplementary Info 2:
With cylinder sleeve ring

[42] Supplementary Article/Supplementary Info:
with gaskets/seals

[41] Article complémentaire / Info complémentaire 2:
avec deux bagues de chemises de cylindre

[42] Article complémentaire /
Info complémentaire: avec joints

[41] Artículo complementario/ Información
complementaria 2: con segmentos para camisa

[42] Artículo complementario/Información
complementaria: con juntas

NF843 50.00x68.00x10.00mm, FPM/ACM

[41] Articolo complementare/Info integrativa 2:
Con anello tenuta canna cilindro

[42] Articolo complementare/Info
integrativa: con guarnizioni

1419



88.00

Petrol



J7T 707

4 Cyl.

9.9:1

2165cc

89kW (121)PS

TD3356

700

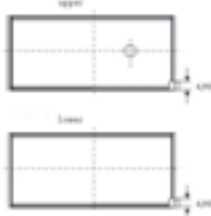
25

04/84 → 12/89

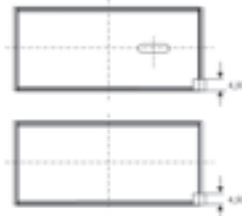
		<p>14-637160-00 WH B 93.60 C 140.50 D 104.00 E 93.08</p>	

BE/PL	4	56.267/56.286	60.005/60.019	20.750	1.842	0.035/0.093	AL-LF	66635RA	01-4189/4 STD 0.25
BE/PL	4	56.267/56.286	60.005/60.019	20.750	1.842	0.035/0.093	AL-LF	66645RA	01-4191/4 STD 0.25
BE/PL	4	56.267/56.286	60.005/60.019	20.750	1.842	0.035/0.093	AL-LF	66645RAA	01-4192/4 STD 0.25

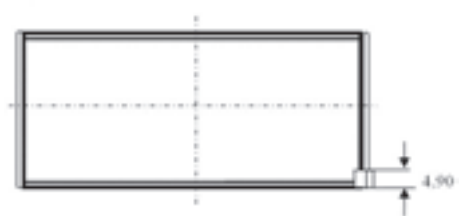
66635RA



66645RA



66645RAA



MB/HL
1-5

5

62.873/62.892

66.668/66.687

23.500

1.884

0.020/0.071

AL-LF

66507RA

H1052/5
STD 0.25

MB/HL
1-5

5

62.861/62.880

66.668/66.687

23.250

1.884

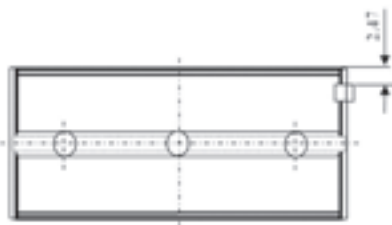
0.030/0.093

AL-LF

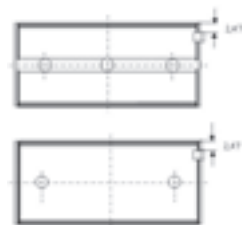
66646RA

H1058/5
STD 0.25

66507RA



66646RA

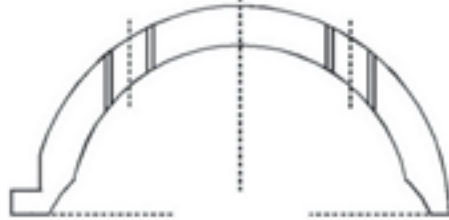


1419


88.00
Petrol

TW/A	2	71.450	88.090		2.850		BS	66506BF	A208/2 STD
TW/A	2	71.450	88.090		2.850		BS	66646BF	A210/2 STD

66506 BF

66646BF


--	--	--

EG176 [41][42]

 [41] Supplementary Article/Supplementary Info 2:
With cylinder sleeve ring

 [42] Supplementary Article/Supplementary Info:
with gaskets/seals

 [41] Article complémentaire / Info complémentaire 2:
avec deux bagues de chemises de cylindre

 [42] Article complémentaire /
Info complémentaire: avec joints

 [41] Artículo complementario/ Información
complementaria 2: con segmentos para camisa

 [42] Artículo complementario/Información
complementaria: con juntas

NF843 50.00x68.00x10.00mm, FPM/ACM

 [41] Articolo complementare/Info integrativa 2:
Con anello tenuta canna cilindro

 [42] Articolo complementare/Info
integrativa: con guarnizioni

1420


88.00
Petrol


J7T 731	4 Cyl.	10:1	2165cc	91kW (124)PS	TD3365	700
J7T 732	4 Cyl.	10:1	2165cc	79kW (107)PS	TD3366	700
J7T 733	4 Cyl.	10:1	2165cc	79kW (107)PS	TD3367	700
J7T 755	4 Cyl.	10:1	2165cc	79kW (107)PS	TD3371	700




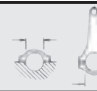






21	04/86→06/94	25	04/84→12/92
-----------	-------------	-----------	-------------

	08-334400-00 STD →08/89 1.75 MO P 2.00 P 4.00 CR [26]		
	08-336300-00 STD 09/89→ 1.50 MO P 1.75 P 3.00 CR [26]		

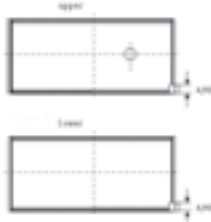
[26] Steel [26] Acier [26] Acciaio [26] Acero

...Continued

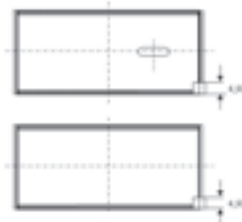
1420  **88.00** **Petrol**

									
BE/PL	4	56.267/56.286	60.005/60.019	20.750	1.842	0.035/0.093	AL-LF	66635RA	01-4189/4 STD 0.25
BE/PL	4	56.267/56.286	60.005/60.019	20.750	1.842	0.035/0.093	AL-LF	66645RA	01-4191/4 STD 0.25
BE/PL	4	56.267/56.286	60.005/60.019	20.750	1.842	0.035/0.093	AL-LF	66645RAA	01-4192/4 STD 0.25

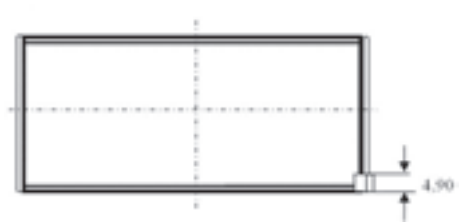
66635RA



66645RA

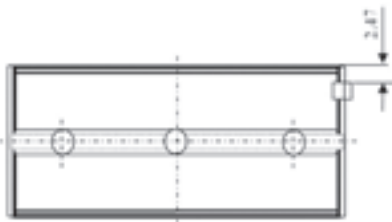


66645RAA

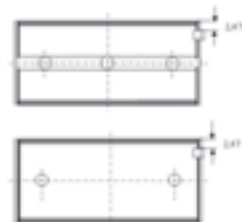


MB/HL 1-5	5	62.873/62.892	66.668/66.687	23.500	1.884	0.020/0.071	AL-LF	66507RA	H1052/5 STD 0.25
MB/HL 1-5	5	62.861/62.880	66.668/66.687	23.250	1.884	0.030/0.093	AL-LF	66646RA	H1058/5 STD 0.25

66507RA



66646RA

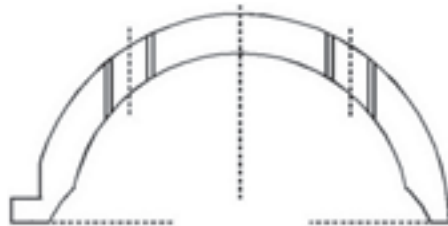





TW/A	2	71.450	88.090		2.850		BS	66506BF	A208/2 STD
TW/A	2	71.450	88.090		2.850		BS	66646BF	A210/2 STD

66506 BF



66646BF



		
---	---	---

EG176 [41] [42]

[41] Supplementary Article/Supplementary Info 2:
With cylinder sleeve ring

[42] Supplementary Article/Supplementary Info:
with gaskets/seals

[41] Article complémentaire / Info complémentaire 2:
avec deux bagues de chemises de cylindre

[42] Article complémentaire /
Info complémentaire: avec joints

NF843  50.00x68.00x10.00mm, FPM/ACM

[41] Artículo complementario/ Información
complementaria 2: con segmentos para camisa

[42] Artículo complementario/Información
complementaria: con juntas

[41] Articolo complementare/Info integrativa 2:

Con anello tenuta canna cilindro

[42] Articolo complementare/Info
integrativa: con guarnizioni

1421



88.00

Petrol



J7T 760

4 Cyl.

10:1

2165cc

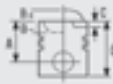
101kW (137)PS

TD3373

702

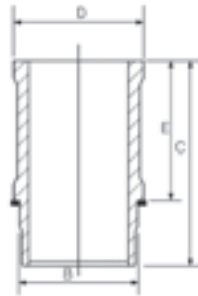
SAFRANE

04/92→07/96



08-336300-00 STD
 1.50 MO P
 1.75 P
 3.00 CR [26]

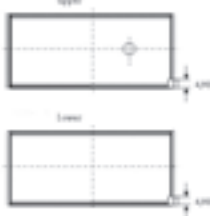
14-637160-00 WH
 B 93.60 C 140.50 D 104.00 E 93.08



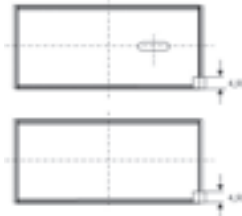
[26] Steel [26] Acier [26] Acciaio [26] Acero

BE/PL	4	56.267/56.286	60.005/60.019	20.750	1.842	0.035/0.093	AL-LF	66635RA	01-4189/4 STD 0.25
BE/PL	4	56.267/56.286	60.005/60.019	20.750	1.842	0.035/0.093	AL-LF	66645RA	01-4191/4 STD 0.25
BE/PL	4	56.267/56.286	60.005/60.019	20.750	1.842	0.035/0.093	AL-LF	66645RAA	01-4192/4 STD 0.25

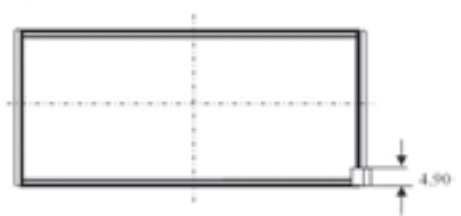
66635RA



66645RA

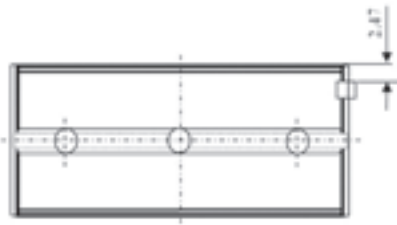


66645RAA

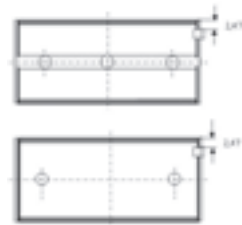


MB/HL 1-5	5	62.873/62.892	66.668/66.687	23.500	1.884	0.020/0.071	AL-LF	66507RA	H1052/5 STD 0.25
MB/HL 1-5	5	62.861/62.880	66.668/66.687	23.250	1.884	0.030/0.093	AL-LF	66646RA	H1058/5 STD 0.25

66507RA













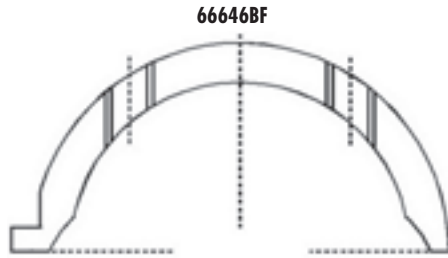
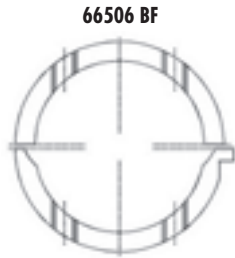
66646RA






...Continued

1421  **88.00** **Petrol**

									
TW/A	2	71.450	88.090		2.850		BS	66506BF	A208/2 STD
TW/A	2	71.450	88.090		2.850		BS	66646BF	A210/2 STD





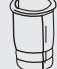
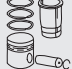



		
---	---	---

EG176 [41][42] **NF843** 50.00x68.00x10.00mm, FPM/ACM











[41] Supplementary Article/Supplementary Info 2: [41] Article complémentaire / Info complémentaire 2: [41] Artículo complementario/ Información [41] Articolo complementare/Info integrativa 2:
 With cylinder sleeve ring avec deux bagues de chemises de cylindre complementaria 2: con segmentos para camisa Con anello tenuta canna cilindro
 [42] Supplementary Article/Supplementary Info: [42] Article complémentaire / [42] Artículo complementario/Información [42] Articolo complementare/Info
 with gaskets/seals Info complémentaire: avec joints complementaria: con juntas integrativa: con guarnizioni

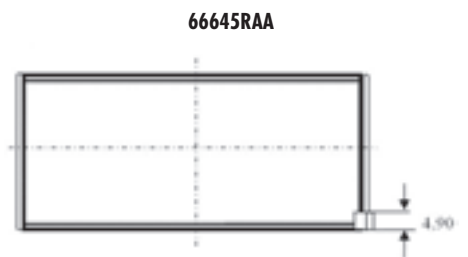
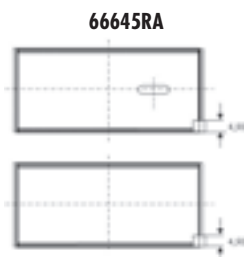
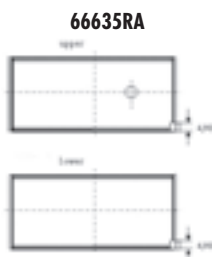
1422  **88.00** **Petrol** 

J7T 761	4 Cyl.	10:1	2165cc	101kW (137)PS	TD3374 702
SAFRANE	04/92→07/96				

			
	08-336300-00 STD		
	1.50  MO P		
	1.75  P		
	3.00  CR [26]		

[26] Steel [26] Acier [26] Acciaio [26] Acero

									
BE/PL	4	56.267/56.286	60.005/60.019	20.750	1.842	0.035/0.093	AL-LF	66635RA	01-4189/4 STD 0.25
BE/PL	4	56.267/56.286	60.005/60.019	20.750	1.842	0.035/0.093	AL-LF	66645RA	01-4191/4 STD 0.25
BE/PL	4	56.267/56.286	60.005/60.019	20.750	1.842	0.035/0.093	AL-LF	66645RAA	01-4192/4 STD 0.25



1422

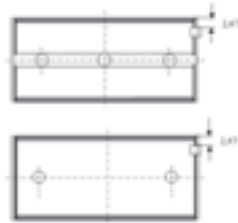
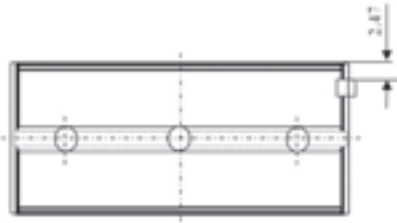


88.00

Petrol

66507RA

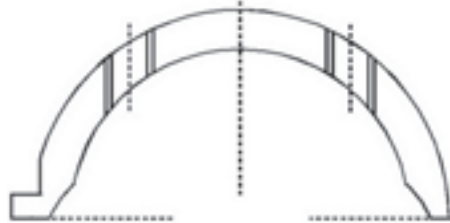
66646RA



TW/A	2	71.450	88.090	2.850	BS	66506BF	A208/2 STD
TW/A	2	71.450	88.090	2.850	BS	66646BF	A210/2 STD

66506 BF

66646BF



--	--	--

EG176 [41][42]

NF843 50.00x68.00x10.00mm, FPM/ACM

[41] Supplementary Article/Supplementary Info 2: With cylinder sleeve ring	[41] Article complémentaire / Info complémentaire 2: avec deux bagues de chemises de cylindre	[41] Artículo complementario / Información complementaria 2: con segmentos para camisa	[41] Articolo complementare/Info integrativa 2: Con anello tenuta canna cilindro
[42] Supplementary Article/Supplementary Info: with gaskets/seals	[42] Article complémentaire / Info complémentaire: avec joints	[42] Artículo complementario/Información complementaria: con juntas	[42] Articolo complementare/Info integrativa: con guarnizioni

1423



88.00

Petrol



J7T 762	4 Cyl.	10:1	2165cc	79-81kW (107-110)PS	TD3375	703
----------------	--------	------	--------	----------------------------	---------------	------------

SAFRANE 04/92→07/96

	<p>08-336300-00 STD</p> <p>1.50 MO P</p> <p>1.75 P</p> <p>3.00 CR [26]</p>	<p>14-637160-00 WH</p> <p>B 93.60 C 140.50 D 104.00 E 93.08</p>	

[26] Steel [26] Acier [26] Acciaio [26] Acero

...Continued

1423

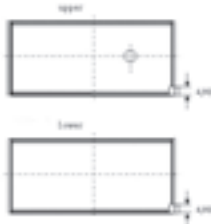


88.00

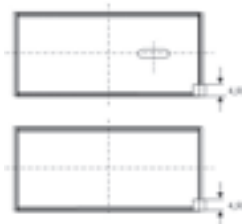
Petrol

BE/PL	4	56.267/56.286	60.005/60.019	20.750	1.842	0.035/0.093	AL-LF	66635RA	01-4189/4 STD 0.25
BE/PL	4	56.267/56.286	60.005/60.019	20.750	1.842	0.035/0.093	AL-LF	66645RA	01-4191/4 STD 0.25
BE/PL	4	56.267/56.286	60.005/60.019	20.750	1.842	0.035/0.093	AL-LF	66645RAA	01-4192/4 STD 0.25

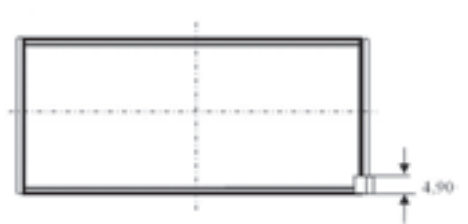
66635RA



66645RA

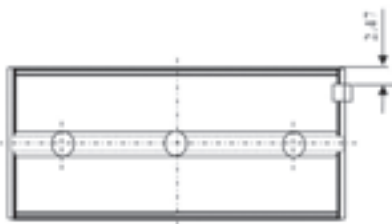


66645RAA

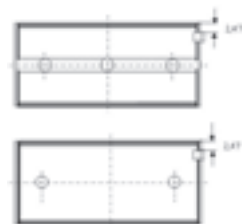


MB/HL 1-5	5	62.873/62.892	66.668/66.687	23.500	1.884	0.020/0.071	AL-LF	66507RA	H1052/5 STD 0.25
MB/HL 1-5	5	62.861/62.880	66.668/66.687	23.250	1.884	0.030/0.093	AL-LF	66646RA	H1058/5 STD 0.25

66507RA



66646RA

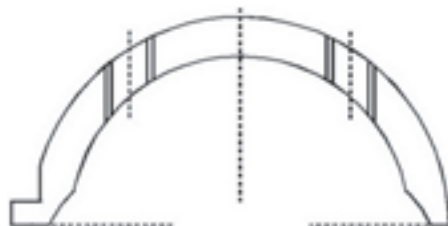


TW/A	2	71.450	88.090		2.850		BS	66506BF	A208/2 STD
TW/A	2	71.450	88.090		2.850		BS	66646BF	A210/2 STD

66506 BF




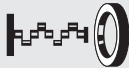
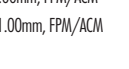


66646BF



1423  **88.00** **Petrol**





 EG176 [41][42]	JJ558 (Felt) JJ559 (Steel Elastomer) = PB852 16.00x24.00x1.500mm = PA349 22.00x16.00x2.000mm  	NF843  50.00x68.00x10.00mm, FPM/ACM NF844  90.00x110.00x11.00mm, FPM/ACM
--	--	---

[41] Supplementary Article/Supplementary Info 2: With cylinder sleeve ring
 [42] Supplementary Article/Supplementary Info: with gaskets/seals



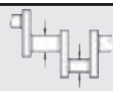
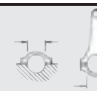






[41] Article complémentaire / Info complémentaire 2: avec deux bagues de chemises de cylindre
 [42] Article complémentaire / Info complémentaire: avec joints

[41] Artículo complementario/ Información complementaria 2: con segmentos para camisa
 [42] Artículo complementario/Información complementaria: con juntas

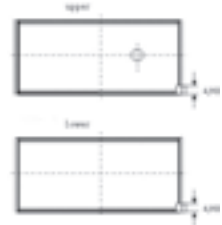
[41] Articolo complementare/Info integrativa 2: Con anello tenuta canna cilindro
 [42] Articolo complementare/Info integrativa: con guarnizioni

1424  **88.00** **Petrol** 

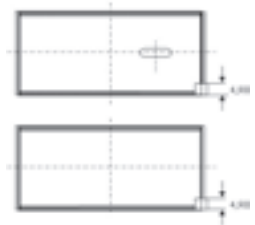
J7T 763 4 Cyl. 9.2:1 2165cc **79-81kW (107-110)PS** **TD3376** **704**

									
BE/PL	4	56.267/56.286	60.005/60.019	20.750	1.842	0.035/0.093	AL-LF	66635RA	01-4189/4 STD 0.25
BE/PL	4	56.267/56.286	60.005/60.019	20.750	1.842	0.035/0.093	AL-LF	66645RA	01-4191/4 STD 0.25
BE/PL	4	56.267/56.286	60.005/60.019	20.750	1.842	0.035/0.093	AL-LF	66645RAA	01-4192/4 STD 0.25

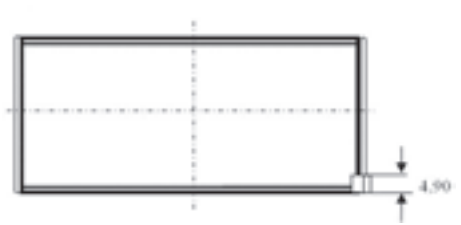
66635RA



66645RA



66645RAA



MB/HL
1-5

5

62.873/62.892

66.668/66.687

23.500

1.884

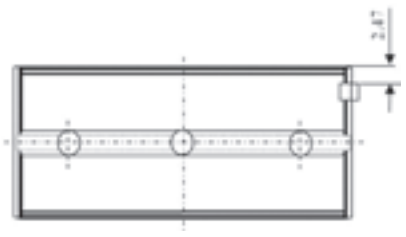
0.020/0.071

AL-LF

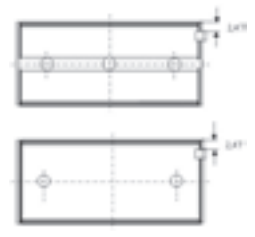
66507RA

H1052/5
STD 0.25

66507RA



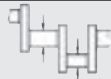









66646RA



...Continued

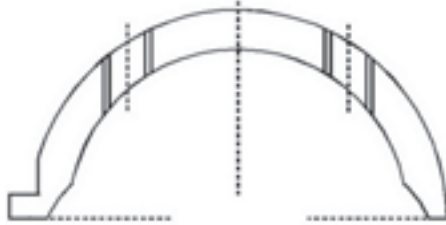
1424  **88.00** **Petrol**




									
TW/A	2	71.450	88.090		2.850		BS	66506BF	A208/2 STD
TW/A	2	71.450	88.090		2.850		BS	66646BF	A210/2 STD

66506 BF



66646BF



		
---	---	---

EG176 [41][42]

JJ558

(Felt)

JJ559

(Steel Elastomer)

NF843  50.00x68.00x10.00mm, FPM/ACM



JJ558

JJ559

[41] Supplementary Article/Supplementary Info 2:
With cylinder sleeve ring

[41] Article complémentaire / Info complémentaire 2:
avec deux bagues de chemises de cylindre

[41] Artículo complementario/ Información
complementaria 2: con segmentos para camisa

[41] Articolo complementare/Info integrativa 2:
Con anello tenuta canna cilindro

[42] Supplementary Article/Supplementary Info:
with gaskets/seals

[42] Article complémentaire /
Info complémentaire: avec joints

[42] Artículo complementario/Información
complementaria: con juntas

[42] Articolo complementare/Info
integrativa: con guarnizioni

1425  **88.00** **Petrol** 

J7T 770	4 Cyl.	10:1	2165cc	79-81kW (107-110)PS	TD3377	705
----------------	--------	------	--------	----------------------------	---------------	------------

ESPACE 07/86→12/90

			
---	---	---	---

87-334400-00

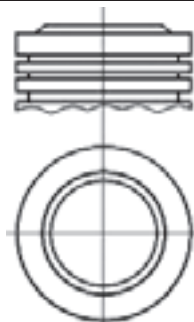
STD

A 40.50

B+ 1.55

D 69.05

 23x75



08-334400-00

→08/89

STD

1.75



MO P

2.00



P

4.00



CR [26]

08-336300-00

09/89→

STD

1.50



MO P

1.75



P

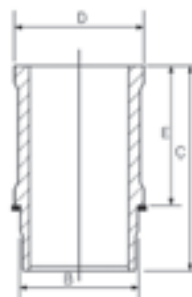
3.00



CR [26]

14-637160-00 WH

B 93.60 **C** 140.50 **D** 104.00 **E** 93.08



[26] Steel

[26] Acier

[26] Acciaio

[26] Acero

1425

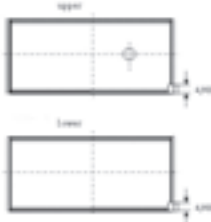


88.00

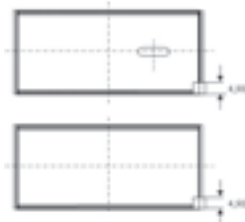
Petrol

BE/PL	4	56.267/56.286	60.005/60.019	20.750	1.842	0.035/0.093	AL-LF	66635RA	01-4189/4 STD 0.25
BE/PL	4	56.267/56.286	60.005/60.019	20.750	1.842	0.035/0.093	AL-LF	66645RA	01-4191/4 STD 0.25
BE/PL	4	56.267/56.286	60.005/60.019	20.750	1.842	0.035/0.093	AL-LF	66645RAA	01-4192/4 STD 0.25

66635RA



66645RA

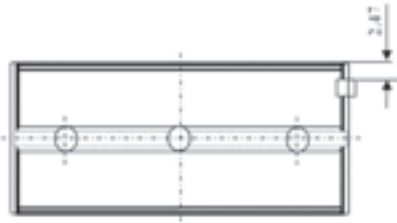


66645RAA

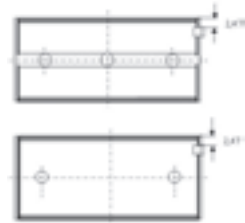


MB/HL 1-5	5	62.873/62.892	66.668/66.687	23.500	1.884	0.020/0.071	AL-LF	66507RA	H1052/5 STD 0.25
MB/HL 1-5	5	62.861/62.880	66.668/66.687	23.250	1.884	0.030/0.093	AL-LF	66646RA	H1058/5 STD 0.25

66507RA



66646RA

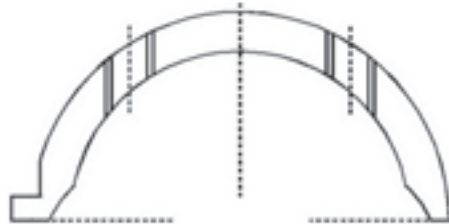


TW/A	2	71.450	88.090		2.850		BS	66506BF	A208/2 STD
TW/A	2	71.450	88.090		2.850		BS	66646BF	A210/2 STD

66506 BF

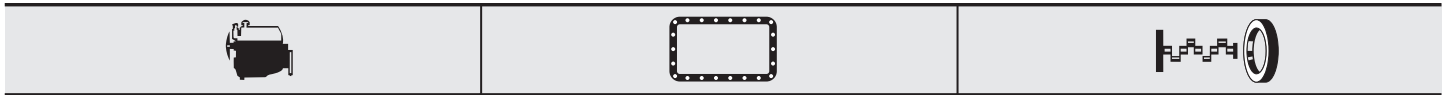






66646BF



...Continued

1425  **88.00** **Petrol**



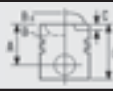
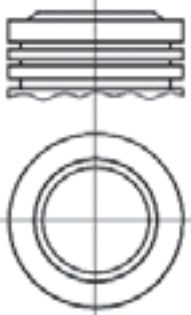








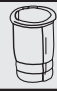
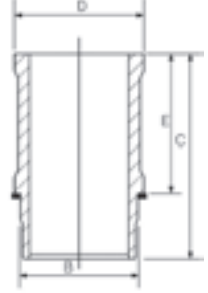

 EG176 [41][42] With cylinder sleeve ring [42] Supplementary Article/Supplementary Info: with gaskets/seals	JJ558 (Felt) JJ559 (Steel Elastomer) ⇒ PB852 16.00x24.00x1.500mm ⇒ PA349 22.00x16.00x2.000mm  JJ558 JJ559	NF843  50.00x68.00x10.00mm, FPM/ACM NF844  90.00x110.00x11.00mm, FPM/ACM
---	---	---

[41] Supplementary Article/Supplementary Info 2: With cylinder sleeve ring
 [42] Supplementary Article/Supplementary Info: with gaskets/seals
 [41] Article complémentaire / Info complémentaire 2: avec deux bagues de chemises de cylindre
 [42] Article complémentaire / Info complémentaire: avec joints
 [41] Artículo complementario/ Información complementaria 2: con segmentos para camisa complementaria
 [42] Artículo complementario/Información complementaria: con juntas
 [41] Articolo complementare/Info integrativa 2: Con anello tenuta canna cilindro
 [42] Articolo complementare/Info integrativa: con guarnizioni











1426  **88.00** **Petrol** 

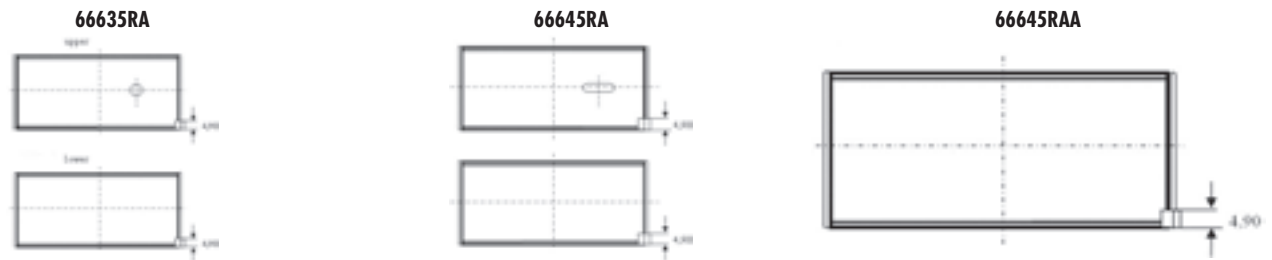
J7T 772	4 Cyl.	10:1	2165cc	79-81kW (107-110)PS	TD3378 706
----------------	--------	------	--------	----------------------------	--------------------------

ESPACE 01/91 → 12/96

 87-334400-00 STD  A 40.50 B+ 1.55 D 69.05  23x75	 08-334400-00 STD 1.75  MO P 2.00  P 4.00  CR [26] <hr/> 08-336300-00 STD 1.50  MO P 1.75  P 3.00  CR [26]	 14-637160-00 WH B 93.60 C 140.50 D 104.00 E 93.08 	
---	---	---	--

[26] Steel [26] Acier [26] Acciaio [26] Acero

									
BE/PL	4	56.267/56.286	60.005/60.019	20.750	1.842	0.035/0.093	AL-LF	66635RA	01-4189/4 STD 0.25
BE/PL	4	56.267/56.286	60.005/60.019	20.750	1.842	0.035/0.093	AL-LF	66645RA	01-4191/4 STD 0.25
BE/PL	4	56.267/56.286	60.005/60.019	20.750	1.842	0.035/0.093	AL-LF	66645RAA	01-4192/4 STD 0.25



1426



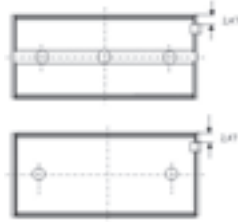
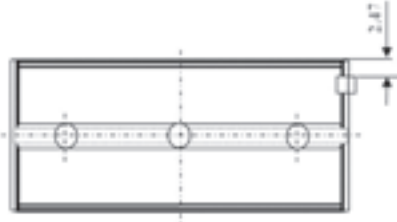
88.00

Petrol

MB/HL 1-5	5	62.873/62.892	66.668/66.687	23.500	1.884	0.020/0.071	AL-LF	66507RA	H1052/5 STD 0.25
MB/HL 1-5	5	62.861/62.880	66.668/66.687	23.250	1.884	0.030/0.093	AL-LF	66646RA	H1058/5 STD 0.25

66507RA

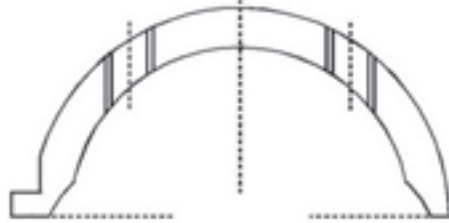
66646RA



TW/A	2	71.450	88.090	2.850	BS	66506BF	A208/2 STD
TW/A	2	71.450	88.090	2.850	BS	66646BF	A210/2 STD

66506 BF

66646BF



--	--	--

EG176 [41][42]

JJ558
(Felt)
JJ559
(Steel Elastomer)
= **PB852**
16.00x24.00x1.500mm
= **PA349**
22.00x16.00x2.000mm



JJ558

JJ559

NF843 50.00x68.00x10.00mm, FPM/ACM
NF844 90.00x110.00x11.00mm, FPM/ACM

[41] Supplementary Article/Supplementary Info 2:
With cylinder sleeve ring
[42] Supplementary Article/Supplementary Info:
with gaskets/seals

[41] Article complémentaire / Info complémentaire 2:
avec deux bagues de chemises de cylindre
[42] Article complémentaire /
Info complémentaire: avec joints

[41] Artículo complementario/ Información
complementaria 2: con segmentos para camisa
[42] Artículo complementario/Información
complementaria: con juntas

[41] Articolo complementare/Info integrativa 2:
Con anello tenuta canna cilindro
[42] Articolo complementare/Info
integrativa: con guarnizioni

1427


88.00
Petrol

J7T 773

4 Cyl.

9.2:1

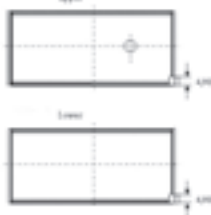
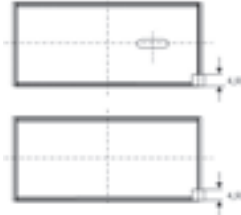
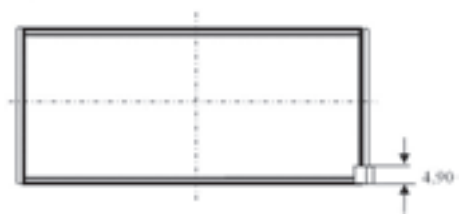
2165cc

79-81kW (108-110)PS
TD5524
706
ESPACE

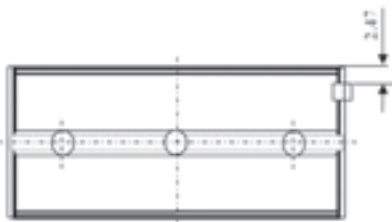
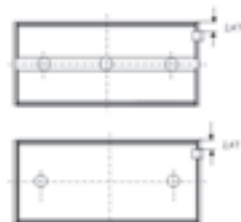
01/91→12/96



BE/PL	4	56.267/56.286	60.005/60.019	20.750	1.842	0.035/0.093	AL-LF	66635RA	01-4189/4 STD 0.25
BE/PL	4	56.267/56.286	60.005/60.019	20.750	1.842	0.035/0.093	AL-LF	66645RA	01-4191/4 STD 0.25
BE/PL	4	56.267/56.286	60.005/60.019	20.750	1.842	0.035/0.093	AL-LF	66645RAA	01-4192/4 STD 0.25

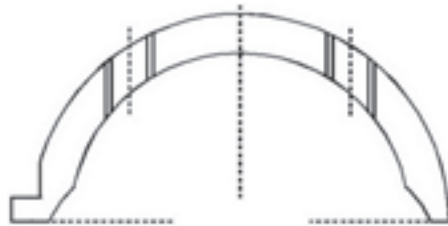
66635RA

66645RA

66645RAA


MB/HL 1-5	5	62.873/62.892	66.668/66.687	23.500	1.884	0.020/0.071	AL-LF	66507RA	H1052/5 STD 0.25
MB/HL 1-5	5	62.861/62.880	66.668/66.687	23.250	1.884	0.030/0.093	AL-LF	66646RA	H1058/5 STD 0.25



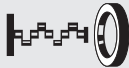




66507RA

66646RA


TW/A	2	71.450	88.090		2.850		BS	66506BF	A208/2 STD
TW/A	2	71.450	88.090		2.850		BS	66646BF	A210/2 STD

66506 BF

66646BF


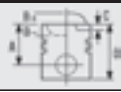








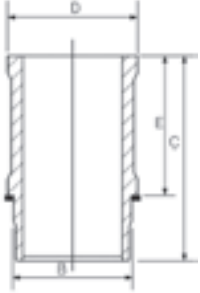

1427  **88.00** **Petrol**

		
<p>EG176 [41] [42]</p>	<p>JJ558 (Felt) JJ559 (Steel Elastomer) = PB852 16.00x24.00x1.500mm = PA349 22.00x16.00x2.000mm</p> <div style="display: flex; justify-content: space-around;">   </div> <p>JJ558 JJ559</p>	<p>NF843  50.00x68.00x10.00mm, FPM/ACM NF844  90.00x110.00x11.00mm, FPM/ACM</p>


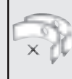








[41] Supplementary Article/Supplementary Info 2: [41] Article complémentaire / Info complémentaire 2: [41] Artículo complementario/ Información complementaria 2: [41] Articolo complementare/Info integrativa 2:
 With cylinder sleeve ring avec deux bagues de chemises de cylindre complementaria 2: con segmentos para camisa Con anello tenuta canna cilindro
 [42] Supplementary Article/Supplementary Info: [42] Article complémentaire / [42] Artículo complementario/Información [42] Articolo complementare/Info
 with gaskets/seals Info complémentaire: avec joints complementaria: con juntas integrativa: con guarnizioni

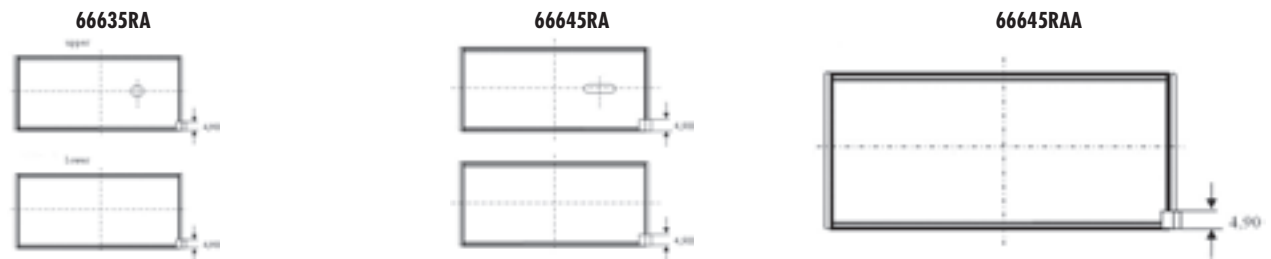
1428  **88.00** **Petrol** 

J7T 780	4 Cyl.	10:1	2165cc	70kW (95)PS	TD3380	699
J7T 782	4 Cyl.	10:1	2165cc	67-69kW (91-94)PS	TD3381	706
MASTER	08/80→07/98		TRAFIC	05/89→06/94		

	 <p>08-334400-00 STD →08/89</p> <p>1.75  MO P 2.00  P 4.00  CR [26]</p> <p>08-336300-00 STD 09/89→</p> <p>1.50  MO P 1.75  P 3.00  CR [26]</p>	 <p>14-637160-00 WH B 93.60 C 140.50 D 104.00 E 93.08</p> 	
---	---	---	---



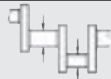







[26] Steel [26] Acier [26] Acciaio [26] Acero

									
BE/PL	4	56.267/56.286	60.005/60.019	20.750	1.842	0.035/0.093	AL-LF	66635RA	01-4189/4 STD 0.25
BE/PL	4	56.267/56.286	60.005/60.019	20.750	1.842	0.035/0.093	AL-LF	66645RA	01-4191/4 STD 0.25
BE/PL	4	56.267/56.286	60.005/60.019	20.750	1.842	0.035/0.093	AL-LF	66645RAA	01-4192/4 STD 0.25



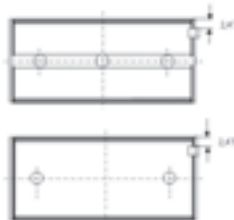
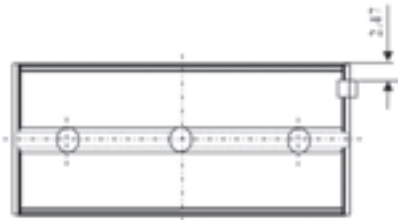
...Continued

1428  **88.00** **Petrol**

									
MB/HL 1-5	5	62.873/62.892	66.668/66.687	23.500	1.884	0.020/0.071	AL-LF	66507RA	H1052/5 STD 0.25
MB/HL 1-5	5	62.861/62.880	66.668/66.687	23.250	1.884	0.030/0.093	AL-LF	66646RA	H1058/5 STD 0.25

66507RA

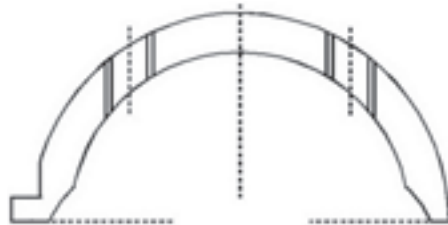
66646RA


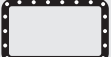



TW/A	2	71.450	88.090	2.850	BS	66506BF	A208/2 STD
TW/A	2	71.450	88.090	2.850	BS	66646BF	A210/2 STD

66506 BF

66646BF



		
---	---	---

EG176 [41][42]

JJ558
(Felt)
JJ559
(Steel Elastomer)
= **PB852**
16.00x24.00x1.500mm
= **PA349**
22.00x16.00x2.000mm

NF843 50.00x68.00x10.00mm, FPM/ACM
NF844 90.00x110.00x11.00mm, FPM/ACM



JJ558

JJ559

[41] Supplementary Article/Supplementary Info 2:
With cylinder sleeve ring
[42] Supplementary Article/Supplementary Info:
with gaskets/seals

[41] Article complémentaire / Info complémentaire 2:
avec deux bagues de chemises de cylindre
[42] Article complémentaire /
Info complémentaire: avec joints

[41] Artículo complementario/ Información
complementaria 2: con segmentos para camisa
[42] Artículo complementario/Información
complementaria: con juntas

[41] Articolo complementare/Info integrativa 2:
Con anello tenuta canna cilindro
[42] Articolo complementare/Info
integrativa: con guarnizioni

1429



88.00

Petrol



J7T 788

4 Cyl.

8.6:1

2165cc

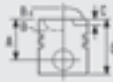
67kW (91)PS

TD12736

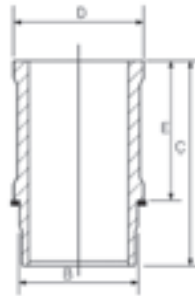
706

MASTER

08/80 → 07/98

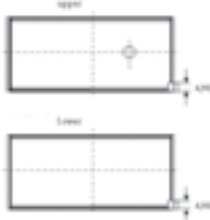


14-637160-00 WH
B 93.60 C 140.50 D 104.00 E 93.08

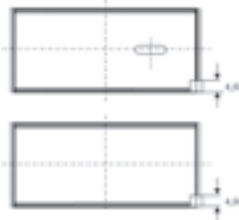


BE/PL	4	56.267/56.286	60.005/60.019	20.750	1.842	0.035/0.093	AL-LF	66635RA	01-4189/4 STD 0.25
BE/PL	4	56.267/56.286	60.005/60.019	20.750	1.842	0.035/0.093	AL-LF	66645RA	01-4191/4 STD 0.25
BE/PL	4	56.267/56.286	60.005/60.019	20.750	1.842	0.035/0.093	AL-LF	66645RAA	01-4192/4 STD 0.25

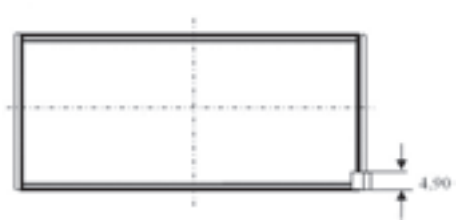
66635RA



66645RA

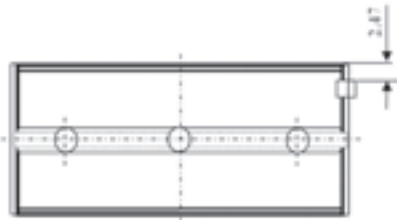


66645RAA

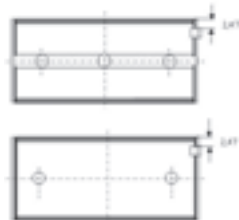


MB/HL 1-5	5	62.873/62.892	66.668/66.687	23.500	1.884	0.020/0.071	AL-LF	66507RA	H1052/5 STD 0.25
MB/HL 1-5	5	62.861/62.880	66.668/66.687	23.250	1.884	0.030/0.093	AL-LF	66646RA	H1058/5 STD 0.25

66507RA



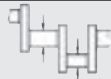









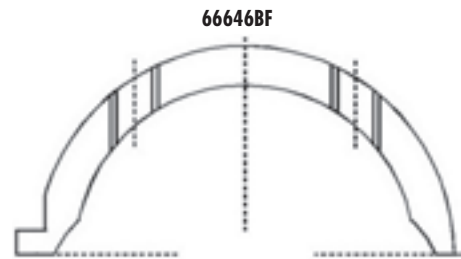
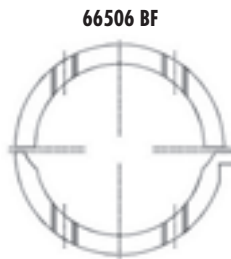
66646RA










...Continued

1429  **88.00** **Petrol**

									
TW/A	2	71.450	88.090		2.850		BS	66506BF	A208/2 STD
TW/A	2	71.450	88.090		2.850		BS	66646BF	A210/2 STD



		
---	---	---

 EG176 [41][42]	<p>JJ558 (Felt)</p> <p>JJ559 (Steel Elastomer)</p> <p>→PB852 16.00x24.00x1.500mm</p> <p>→PA349 22.00x16.00x2.000mm</p>  <p>JJ558 JJ559</p>	<p>NF843  50.00x68.00x10.00mm, FPM/ACM</p> <p>NF844  90.00x110.00x11.00mm, FPM/ACM</p>
---	--	--

[41] Supplementary Article/Supplementary Info 2: With cylinder sleeve ring
 [42] Supplementary Article/Supplementary Info: with gaskets/seals








[41] Article complémentaire / Info complémentaire 2: avec deux bagues de chemises de cylindre
 [42] Article complémentaire / Info complémentaire: avec joints

[41] Artículo complementario/ Información complementaria 2: con segmentos para camisa
 [42] Artículo complementario/Información complementaria: con juntas




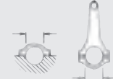






[41] Articolo complementare/Info integrativa 2: Con anello tenuta canna cilindro
 [42] Articolo complementare/Info integrativa: con guarnizioni

1430  **88.00** **Petrol** 

112	V6 Cyl.	8.65:1	2664cc	92-96kW (125-131)PS	TD3410	707
30	02/75 → 08/78					







			
	<p>08-316900-00 STD</p> <p>08-316907-00 0.50mm</p> <p>1.50  CR P</p> <p>2.00  P</p> <p>4.00  CR [26]</p>		




[26] Steel [26] Acier [26] Acciaio [26] Acero




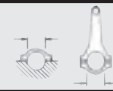






									
BE/PL	6	59.971/59.990	63.704/63.723	17.720	1.846	0.022/0.085	EC	71-3733	71-3733/6 STD
MB/HL 1-4	4	70.043/70.062	74.000/74.019	23.470	1.967	0.020/0.067	AL-LF	66311RA	H1041/4 STD






RENAULT/DACIA




...Continued



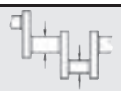
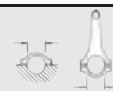






1430	 88.00	Petrol				
				⇒ PB852 16.00x24.00x1.500mm ⇒ PA349 22.00x16.00x2.000mm		NF761  42.00x62.00x10.00mm, FPM/ACM NF835  80.00x100.00x8.00mm, FPM/ACM


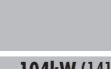

1431	 88.00	Petrol				
140	V6 Cyl.	9.2:1	2664cc	105kW (143)PS		TD3411 708
144	V6 Cyl.	9.2:1	2664cc	94kW (128)PS		TD3412 709
30	07/78 → 01/84					

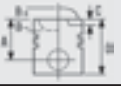
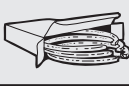





									
BE/PL	6	59.971/59.990	63.704/63.723	17.720	1.846	0.022/0.085	EC	71-3733	71-3733/6 STD
MB/HL 1-4	4	70.043/70.062	74.000/74.019	23.470	1.967	0.020/0.067	AL-LF	66311RA	H1041/4 STD

				
	⇒ PB852 16.00x24.00x1.500mm ⇒ PA349 22.00x16.00x2.000mm		NF761  42.00x62.00x10.00mm, FPM/ACM NF835  80.00x100.00x8.00mm, FPM/ACM	

1432	 88.00	Petrol				
144.01	V6 Cyl.	9.2:1	2664cc	85-96kW (116-131)PS		TD22488

									
BE/PL	6	59.971/59.990	63.704/63.723	17.720	1.846	0.022/0.085	EC	71-3733	71-3733/6 STD
MB/HL 1-4	4	70.043/70.062	74.000/74.019	23.470	1.967	0.020/0.067	AL-LF	66311RA	H1041/4 STD

1433	 88.00	Petrol				
Z7V 708	V6 Cyl.	8.8/9.2:1	2664cc	104kW (141)PS		TD3441 710
Z7V 709	V6 Cyl.	8.8/9.2:1	2664cc	104kW (141)PS		TD3442 711
Z7V 711	V6 Cyl.	8.8/9.2:1	2664cc	104kW (141)PS		TD3443 711
25	04/84 → 08/89					

			
	08-316900-00 STD 08-316907-00 0.50mm 1.50  CR P 2.00  P 4.00  CR [26]		






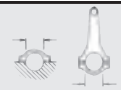










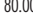
[26] Steel



[26] Acier

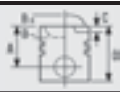






[26] Acciaio




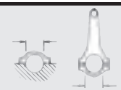










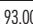
[26] Acero

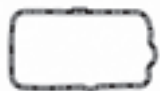
...Continued

1433	 88.00	Petrol								
										
BE/PL	6	59.971/59.990	63.704/63.723	17.720	1.846	0.022/0.085	EC	71-3733	71-3733/6 STD	
MB/HL 1-4	4	70.043/70.062	74.000/74.019	23.470	1.967	0.020/0.067	AL-LF	66311RA	H1041/4 STD	
										
							NA5272  ACM NF634  80.00x100.00x13.00mm, MVQ			

1434	 89.00	Diesel								
G9U 630 Euro 4	4 Cyl.	18:1	2463cc	84kW (114)PS				TD19713	712	
G9U 632 Euro 4	4 Cyl.	18.1:1	2463cc	88-107kW (120-146)PS				TD21013	712	
G9U 650 Euro 4	4 Cyl.	18.1:1	2463cc	74-88kW (101-120)PS				TD21011	712	
MASTER	08/06 →	TRAFIC II			08/06 →					

			
08-137500-00 STD 08-137507-00 0.50mm 3.00  MO P 1.75  P 2.50  P			

										
BE/PL	4	52.971/52.990	56.587/56.606	20.650	1.782	0.015/0.069	EC	71-4744	71-4744/4 STD 0.25 [45]	
MB/HL 1-5	5	57.980/58.000	61.668/61.681	20.990	1.810		AL-LF	02-4042	H1013/5 STD 0.25	
TW/A	2	63.250/63.500	78.550/78.800		2.350		AL-LF	04-4745	A289/2 STD	
SE/PB	1	31.013/31.020	33.500/33.525	25.800			BC	55-4050	55-4050 SEMI	
										
 EE5220 [42]			JJ568				NF860  93.00x108.00x7.00mm, FPM/ACM			



JJ568

[42] Supplementary Article/Supplementary Info:
with gaskets/seals

[42] Article complémentaire /
Info complémentaire: avec joints

[42] Artículo complementario/Información
complementaria: con juntas

[42] Articolo complementare/Info
integrativa: con guarnizioni

1435



89.00

Diesel



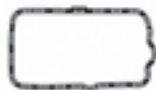
G9U 720 Euro 3	4 Cyl.	21:1	2463cc	85kW (115)PS	TD16303	712
G9U 724 Euro 3	4 Cyl.	21:1	2463cc	84kW (115)PS	TD19366	713
G9U 730 Euro 3	4 Cyl.	18:1	2463cc	99kW (135)PS	TD18275	712
G9U 750 Euro 3	4 Cyl.	17.75:1	2463cc	84kW (115)PS	TD19359	712
G9U 754 Euro 3	4 Cyl.	17.75:1	2463cc	73kW (99)PS	TD19085	714

MASTER 10/01→ **TRAFIC II** 03/01→

87-137500-10 87-137507-10	STD 0.50mm		08-137500-10 STD 08-137507-10 0.50mm
A 53.03 B- 17.85 BØ 43.20 C 1.65 C 1.90 D 83.09 31x65			2.50 MO P 1.75 P 2.50 CR P
AK RT TP			

BE/PL	4	52.971/52.990	56.587/56.606	20.650	1.782	0.015/0.069	EC	71-4744	71-4744/4 STD 0.25 [45]
MB/HL 1-5	5	57.980/58.000	61.668/61.681	20.990	1.810		AL-LF	02-4042	H1013/5 STD 0.25
TW/A	2	63.250/63.500	78.550/78.800		2.350		AL-LF	04-4745	A289/2 STD
SE/PB	1	31.013/31.020	33.500/33.525	25.800			BC	55-4050	55-4050 SEMI

EE5220 [42]	JJ568	NF860 93.00x108.00x7.00mm, FPM/ACM	



JJ568

[42] Supplementary Article/Supplementary Info:
with gaskets/seals

[42] Article complémentaire /
Info complémentaire: avec joints

[42] Artículo complementario/Información
complementaria: con juntas

[42] Articolo complementare/Info
integrativa: con guarnizioni

1436



91.00

Petrol











Z7U 700	V6 Cyl.	8.6:1	2458cc	151kW (205)PS	TD3437	715
Z7U 702	V6 Cyl.	8.6:1	2458cc	133kW (181)PS	TD3438	715



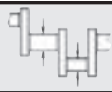
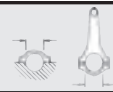






25 10/84→12/92





		08-321600-00 STD	
		1.75 MO P 2.00 P 4.00 CR	



...Continued

1436		91.00	Petrol
			
		 NF761  42.00x62.00x10.00mm, FPM/ACM NF835  80.00x100.00x8.00mm, FPM/ACM	

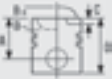






1437		91.00	Petrol		
Z6W 700	V6 Cyl.	9.5:1	2849cc	118kW (160)PS	TD3435
Z6W 702	V6 Cyl.		2849cc	116kW (158)PS	TD3436

									
BE/PL	6	59.971/59.990	63.704/63.723	17.720	1.846	0.022/0.085	EC	71-3733	71-3733/6 STD
MB/HL 1-4	4	70.043/70.062	74.000/74.019	23.470	1.967	0.020/0.067	AL-LF	66311RA	H1041/4 STD




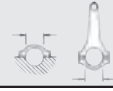






					
				NF835  80.00x100.00x8.00mm, FPM/ACM	






1438		91.00	Petrol			
Z7W 700	V6 Cyl.	9.5:1	2849cc	115kW (156)PS	TD3444	716
Z7W 702	V6 Cyl.	9.5:1	2849cc	100kW (136)PS	TD3446	717

25 06/86 → 02/90

			
	08-408800-00 STD 1.50  CR P 2.00  P 4.00  CR [26]		

[26] Steel [26] Acier [26] Acciaio [26] Acero

									
BE/PL	6	59.971/59.990	63.704/63.723	17.720	1.846	0.022/0.085	EC	71-3733	71-3733/6 STD
MB/HL 1-4	4	70.043/70.062	74.000/74.019	23.470	1.967	0.020/0.067	AL-LF	66311RA	H1041/4 STD

					
		PA349 22.00x16.00x2.00mm		NA5272  ACM NF634  80.00x100.00x13.00mm, MVQ	

RENAULT/DACIA

1439



91.00

Petrol



Z7W 701	V6 Cyl.	9.5:1	2849cc	115kW (156)PS						TD3445	717
Z7W 709	V6 Cyl.	9.5:1	2849cc	110kW (150)PS						TD3449	716
Z7W 712	V6 Cyl.	9.5:1	2849cc	110kW (150)PS						TD3450	716
Z7W 713	V6 Cyl.	9.5:1	2849cc	110kW (150)PS						TD3451	716
Z7W 717	V6 Cyl.	9.5:1	2849cc	110kW (150)PS						TD17866	716

25 06/87→12/92 ESPACE 01/91→10/96

BE/PL	6	59.971/59.990	63.704/63.723	17.720	1.846	0.022/0.085	EC	71-3733	71-3733/6 STD		
MB/HL 1-4	4	70.043/70.062	74.000/74.019	23.470	1.967	0.020/0.067	AL-LF	66311RA	H1041/4 STD		

									NA5272 ACM NF634 80.00x100.00x13.00mm, MVQ		

1440



91.00

Petrol



Z7W 706	V6 Cyl.	9.5:1	2849cc	110-112kW (150-153)PS						TD3447	716
Z7W 707	V6 Cyl.	9.5:1	2849cc	110-112kW (150-153)PS						TD3448	716

25 06/87→12/92

			08-408800-00 STD 1.50 CR P 2.00 P 4.00 CR [26]								

[26] Steel [26] Acier [26] Acciaio [26] Acero

BE/PL	6	59.971/59.990	63.704/63.723	17.720	1.846	0.022/0.085	EC	71-3733	71-3733/6 STD		
MB/HL 1-4	4	70.043/70.062	74.000/74.019	23.470	1.967	0.020/0.067	AL-LF	66311RA	H1041/4 STD		

									NA5272 ACM NF634 80.00x100.00x13.00mm, MVQ		

1441

 **93.00**

Diesel



8140.21.235 IDS

4 Cyl.

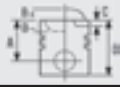
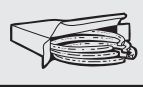






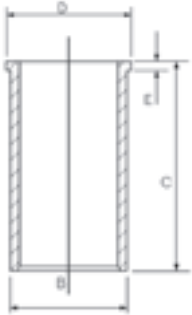
18:1



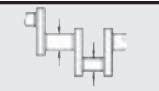
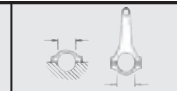








2445cc

68-71kW (92-96)PS






TD3418

718

			
<p>87-245200-30 STD 87-245208-30 0.60mm</p> <p>A 59.65 B- 14.80 BØ 51.90 D 97.65  32x75</p> <p>RT</p>	<p>08-245200-00 STD 08-245208-00 0.60mm</p> <p>3.00  CR P 2.00  P 3.00  CR P</p>	<p>14-021371-00 D B 96.01 C 171.00 D 98.92 E 5.00 14-021372-00 D B 96.05 C 171.00 D 98.92 E 5.00 14-021373-00 D B 96.17 C 171.00 D 98.92 E 5.00 14-021480-00 DH [35] B 97.04 C 171.00 D 100.00 E 5.00</p> <p></p>	
[35] Nitrided	[35] Nitridé	[35] Niturato	[35] Niturado

											
BE/PL	4	56.520/56.535	60.333/60.345	24.700	1.870	0.020/0.072	BS	1870CP	71-4130/4 STD 0.25 0.50 0.75		
MB/HL 1-4	4	76.187/76.200	80.586/80.607	24.990	2.172	0.042/0.100	BS	66571CP	H1049/5 STD 0.25 0.50 0.75		
MB/HL 5	1	76.187/76.200	80.586/80.607	31.950	2.172	0.042/0.100	BS	66572CPH			
SE/PB	1	31.990/31.996	34.895/34.920	30.700			BS	66579YA	55-4186 SEMI		

Mot.344183 →

		
	JJ519	NF833  FPM
		
	JJ519	

1442



93.00

Diesel



8140.61.2300	4 Cyl.	21:1	2445cc	52kW (71)PS	TD3429	719
S8U 720	4 Cyl.	22:1	2445cc	51kW (69)PS	TD3413	721
S8U 722	4 Cyl.	22:1	2445cc	51kW (69)PS	TD3414	721
S8U 731	4 Cyl.	22:1	2445cc	52kW (71)PS	TD12730	723

MASTER	07/80→07/98	TRAFIC	03/80→03/01
--------	-------------	--------	-------------

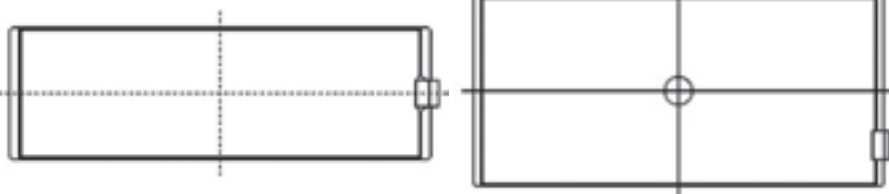
<p>87-214500-00 STD 87-214508-00 0.60mm</p> <p>A 54.80 B- 2.20 D 89.80 32x75</p> <p>HA RT</p>	<p>08-214500-10 STD 08-214508-10 0.60mm 06/81→</p> <p>3.00 CR P 2.00 P 4.00 CR P</p> <p>08-147300-10 STD →05/81</p> <p>2.00 MOL P 2.00 P 4.00 CR P</p> <p>08-214400-10 STD →05/81</p> <p>2.00 CR P 2.00 P 4.00 CR P</p>	<p>14-021280-00 DH [35] B 97.03 C 167.00 D 100.00 E 5.00 14-022560-00 D B 96.00 C 167.30 D 98.90 E 5.00 14-028930-00 D B 97.50 C 167.00 D 100.90 E 5.00 14-028931-00 D B 97.58 C 167.00 D 100.90 E 5.00 14-028932-00 D B 97.70 C 167.00 D 100.90 E 5.00</p>	

[35] Nitrided [35] Nitridé [35] Niturato [35] Niturado

BE/PL	4	56.520/56.535	60.333/60.345	24.700	1.870	0.020/0.072	BS	1870CP	71-4130/4 STD 0.25 0.50 0.75
10/82→									
BE/PL	4	56.520/56.535	60.333/60.345	24.700	1.870	0.020/0.070	BS	66575CP	71-4185/4 STD 0.25 0.50 0.75
→09/82									



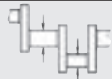







1870CP

66575CP

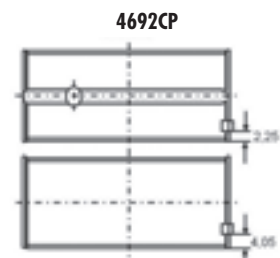
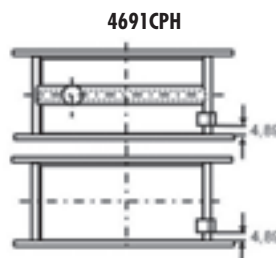
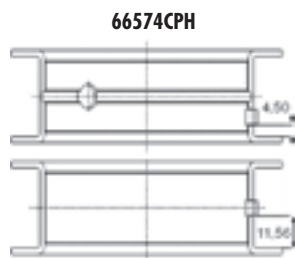
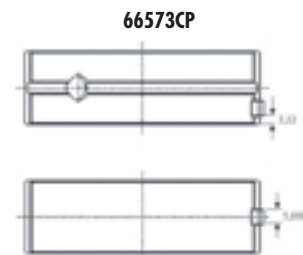
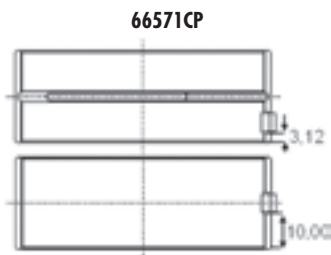


...Continued

1442  **93.00** **Diesel**




									
MB/HL 1-4	4	76.187/76.200	80.586/80.607	24.990	2.172	0.042/0.100	BS	66571CP	H1049/5 STD 0.25 0.50 0.75
MB/HL 5	1	76.187/76.200	80.586/80.607	31.950	2.172	0.042/0.100	BS	66572CPH	
→12/92									
MB/HL 1-4	4	76.187/76.200	80.586/80.607	24.990	2.172	0.038/0.097	BS	66573CP	H1094/5 STD 0.25
MB/HL 5	1	76.187/76.200	80.586/80.607	31.950	2.172	0.038/0.097	BS	66574CPH	
01/93→08/95									
MB/HL 5	1	86.182/86.208	90.588/90.614	30.950	2.164	0.052/0.129	BS	4691CPH	H1104/5 STD 0.25 0.50
MB/HL 1-4	4	80.182/80.208	84.588/84.614	23.800	2.164	0.052/0.129	BS	4692CP	

09/95→





SE/PB	1	31.990/31.996	34.895/34.920	30.700			BS	66579YA	55-4186 SEMI
-------	---	---------------	---------------	--------	--	--	----	---------	------------------------

Mot.344183→

		
---	---	---

JJ519

NF885  70.00x179.00x16.00mm, FPM
NF833  FPM



JJ519

1443

 93.00

Diesel



8140.61.235

4 Cyl.

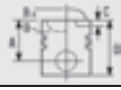




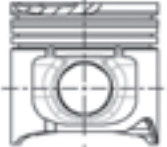




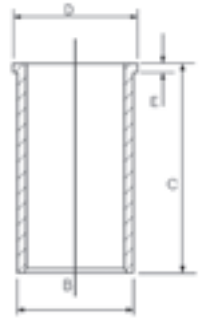






21:1

2445cc

53kW (72)PS

TD3430

720



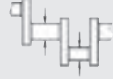







							
<p>87-214500-00 STD 87-214508-00 0.60mm</p> <p>A 54.80 B- 2.20 D 89.80  32x75</p> <p>HA RT</p>	 		<p>08-214500-10 STD 08-214508-10 0.60mm 06/81→</p> <p>3.00  CR P 2.00  P 4.00  CR P</p>	<p>14-021280-00 DH [35] B 97.03 C 167.00 D 100.00 E 5.00 14-022560-00 D B 96.00 C 167.30 D 98.90 E 5.00 14-028930-00 D B 97.50 C 167.00 D 100.90 E 5.00 14-028931-00 D B 97.58 C 167.00 D 100.90 E 5.00 14-028932-00 D B 97.70 C 167.00 D 100.90 E 5.00</p> 			
		<p>08-147300-10 STD →05/81</p> <p>2.00  MOL P 2.00  P 4.00  CR P</p>					
		<p>08-214400-10 STD →05/81</p> <p>2.00  CR P 2.00  P 4.00  CR P</p>					

[35] Nitrided







[35] Nitride

[35] Niturato

[35] Niturado

									
BE/PL	4	56.520/56.535	60.333/60.345	24.700	1.870	0.020/0.072	BS	1870CP	71-4130/4 STD 0.25 0.50 0.75
MB/HL 1-4	4	76.187/76.200	80.586/80.607	24.990	2.172	0.042/0.100	BS	66571CP	H1049/5 STD 0.25 0.50 0.75
MB/HL 5	1	76.187/76.200	80.586/80.607	31.950	2.172	0.042/0.100	BS	66572CPH	
SE/PB	1	31.990/31.996	34.895/34.920	30.700			BS	66579YA	55-4186 SEMI

Mot.344183→

					
		<p>JJ100 (Cork) JJ519</p>  JJ100  JJ519		<p>NF833  FPM</p>	

1444



93.00

Diesel



8140.61.240 Sofim

4 Cyl.

22:1

2445cc

51kW (69)PS

TD12871

719

TRAFIC

03/80→03/01

<p>87-214500-00 STD 87-214508-00 0.60mm</p> <p>A 54.80 B- 2.20 D 89.80 32x75</p> <p>HA RT</p>	<p>08-214500-10 STD 08-214508-10 0.60mm 06/81→</p> <p>3.00 CR P 2.00 P 4.00 CR P</p> <p>08-147300-10 STD →05/81</p> <p>2.00 MOL P 2.00 P 4.00 CR P</p> <p>08-214400-10 STD →05/81</p> <p>2.00 CR P 2.00 P 4.00 CR P</p>	<p>14-021280-00 DH [35] B 97.03 C 167.00 D 100.00 E 5.00 14-022560-00 D B 96.00 C 167.30 D 98.90 E 5.00 14-028930-00 D B 97.50 C 167.00 D 100.90 E 5.00 14-028931-00 D B 97.58 C 167.00 D 100.90 E 5.00 14-028932-00 D B 97.70 C 167.00 D 100.90 E 5.00</p>	

[35] Nitrided

[35] Nitridé

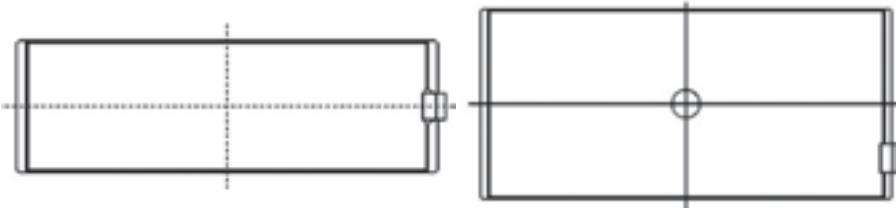
[35] Nitruato

[35] Nitruado

BE/PL	4	56.520/56.535	60.333/60.345	24.700	1.870	0.020/0.072	BS	1870CP	71-4130/4 STD 0.25 0.50 0.75
10/82→									
BE/PL	4	56.520/56.535	60.333/60.345	24.700	1.870	0.020/0.070	BS	66575CP	71-4185/4 STD 0.25 0.50 0.75
→09/82									

1870CP

66575CP



1444

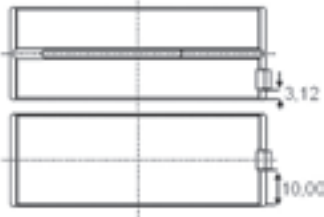


93.00

Diesel

									H1049/5 STD 0.25 0.50 0.75
MB/HL 1-4	4	76.187/76.200	80.586/80.607	24.990	2.172	0.042/0.100	BS	66571CP	
MB/HL 5	1	76.187/76.200	80.586/80.607	31.950	2.172	0.042/0.100	BS	66572CPH	
→12/92									
MB/HL 1-4	4	76.187/76.200	80.586/80.607	24.990	2.172	0.038/0.097	BS	66573CP	H1094/5 STD 0.25
MB/HL 5	1	76.187/76.200	80.586/80.607	31.950	2.172	0.038/0.097	BS	66574CPH	
01/93→08/95									
MB/HL 5	1	86.182/86.208	90.588/90.614	30.950	2.164	0.052/0.129	BS	4691CPH	H1104/5 STD 0.25 0.50
MB/HL 1-4	4	80.182/80.208	84.588/84.614	23.800	2.164	0.052/0.129	BS	4692CP	
09/95→									

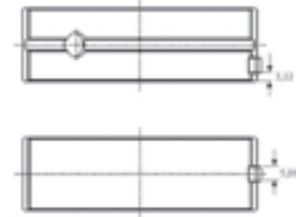
66571CP



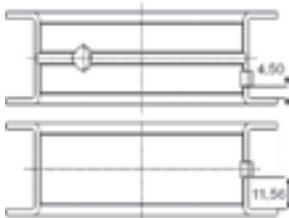
66572CPH



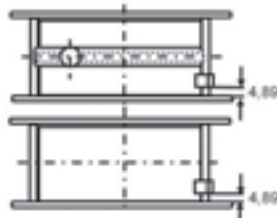
66573CP



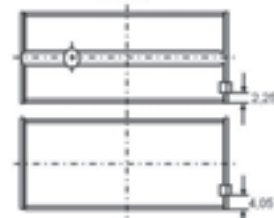
66574CPH



4691CPH



4692CP



SE/PB

1

31.990/31.996

34.895/34.920

30.700

BS

66579YA

55-4186
SEMI

Mot.344183→



JJ519



JJ519

1445

93.00

Diesel



S8U 730

4 Cyl.

22:1

2445cc

52kW (71)PS

TD12873

722

MASTER

07/83→02/98

<p>87-214500-00 STD</p> <p>87-214508-00 0.60mm</p> <p>A 54.80</p> <p>B- 2.20</p> <p>D 89.80</p> <p> 32x75</p> <p>HA RT</p>		<p>08-214500-10 STD</p> <p>08-214508-10 0.60mm</p> <p>06/81→</p> <p>3.00 CR P</p> <p>2.00 P</p> <p>4.00 CR P</p>	<p>08-147300-10 STD</p> <p>→05/81</p> <p>2.00 MOL P</p> <p>2.00 P</p> <p>4.00 CR P</p>	<p>08-214400-10 STD</p> <p>→05/81</p> <p>2.00 CR P</p> <p>2.00 P</p> <p>4.00 CR P</p>	<p>14-021280-00 DH [35]</p> <p>B 97.03 C 167.00 D 100.00 E 5.00</p> <p>14-022560-00 D</p> <p>B 96.00 C 167.30 D 98.90 E 5.00</p> <p>14-028930-00 D</p> <p>B 97.50 C 167.00 D 100.90 E 5.00</p> <p>14-028931-00 D</p> <p>B 97.58 C 167.00 D 100.90 E 5.00</p> <p>14-028932-00 D</p> <p>B 97.70 C 167.00 D 100.90 E 5.00</p>		

[35] Nitrided

[35] Nitridé

[35] Nitruato

[35] Nitruado

BE/PL	4	56.520/56.535	60.333/60.345	24.700	1.870	0.020/0.072	BS	1870CP	71-4130/4 STD 0.25 0.50 0.75
MB/HL 1-4	4	76.187/76.200	80.586/80.607	24.990	2.172	0.042/0.100	BS	66571CP	H1049/5 STD 0.25 0.50 0.75
MB/HL 5	1	76.187/76.200	80.586/80.607	31.950	2.172	0.042/0.100	BS	66572CPH	
→12/92									
MB/HL 1-4	4	76.187/76.200	80.586/80.607	24.990	2.172	0.038/0.097	BS	66573CP	H1094/5 STD 0.25
MB/HL 5	1	76.187/76.200	80.586/80.607	31.950	2.172	0.038/0.097	BS	66574CPH	
01/93→08/95									
MB/HL 5	1	86.182/86.208	90.588/90.614	30.950	2.164	0.052/0.129	BS	4691CPH	H1104/5 STD 0.25 0.50
MB/HL 1-4	4	80.182/80.208	84.588/84.614	23.800	2.164	0.052/0.129	BS	4692CP	
09/95→									

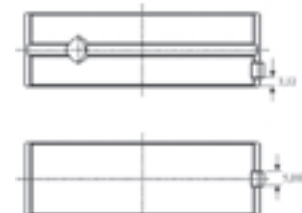
66571CP



66572CPH



66573CP



RENAULT/DACIA

...Continued

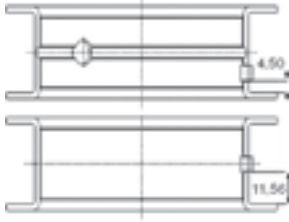
1445

93.00

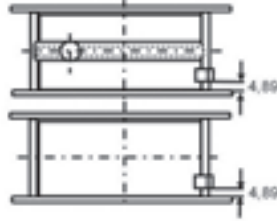
Diesel



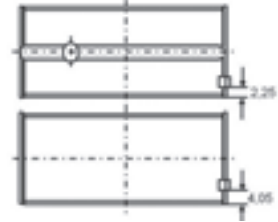
66574CPH



4691CPH

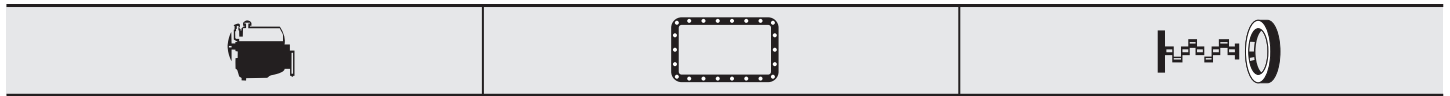


4692CP



SE/PB	1	31.990/31.996	34.895/34.920	30.700		BS	66579YA	55-4186 SEMI
-------	---	---------------	---------------	--------	--	----	---------	-----------------

Mot.344183 →



JJ519

NF833 FPM



JJ519

1446

93.00

Diesel



S8U 748	4 Cyl.	22:1	2445cc	55kW (75)PS	TD12735	724
---------	--------	------	--------	-------------	---------	-----

<p>87-214500-00 STD 87-214508-00 0.60mm</p> <p>A 54.80 B- 2.20 D 89.80 32x75</p>		<p>08-214500-10 STD 08-214508-10 0.60mm</p> <p>3.00 CR P 2.00 P 4.00 CR P</p>	<p>14-021280-00 DH [35] B 97.03 C 167.00 D 100.00 E 5.00 14-022560-00 D B 96.00 C 167.30 D 98.90 E 5.00 14-028930-00 D B 97.50 C 167.00 D 100.90 E 5.00 14-028931-00 D B 97.58 C 167.00 D 100.90 E 5.00 14-028932-00 D B 97.70 C 167.00 D 100.90 E 5.00</p>	
<p>HA RT</p>		<p>08-147300-10 STD</p> <p>2.00 MOL P 2.00 P 4.00 CR P</p>		

[35] Nitrided

[35] Nitridé

[35] Niturato

[35] Niturado

...Continued

1446



93.00

Diesel

BE/PL	4	56.520/56.535	60.333/60.345	24.700	1.870	0.020/0.072	BS	1870CP	71-4130/4 STD 0.25 0.50 0.75

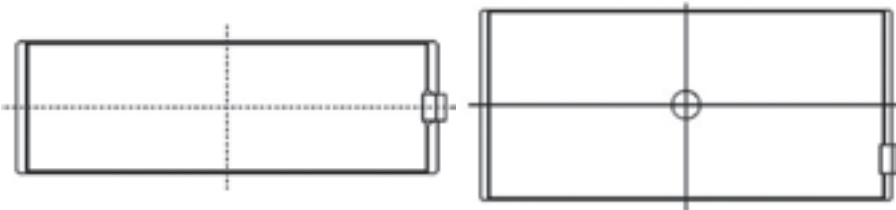
10/82→

BE/PL	4	56.520/56.535	60.333/60.345	24.700	1.870	0.020/0.070	BS	66575CP	71-4185/4 STD 0.25 0.50 0.75
-------	---	---------------	---------------	--------	-------	-------------	----	---------	--

→09/82

1870CP

66575CP



MB/HL 1-4	4	76.187/76.200	80.586/80.607	24.990	2.172	0.042/0.100	BS	66571CP	H1049/5 STD 0.25 0.50 0.75
MB/HL 5	1	76.187/76.200	80.586/80.607	31.950	2.172	0.042/0.100	BS	66572CPH	

→12/92

MB/HL 1-4	4	76.187/76.200	80.586/80.607	24.990	2.172	0.038/0.097	BS	66573CP	H1094/5 STD 0.25
MB/HL 5	1	76.187/76.200	80.586/80.607	31.950	2.172	0.038/0.097	BS	66574CPH	

01/93→08/95

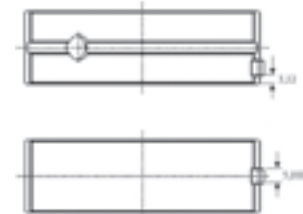
MB/HL 5	1	86.182/86.208	90.588/90.614	30.950	2.164	0.052/0.129	BS	4691CPH	H1104/5 STD 0.25 0.50
MB/HL 1-4	4	80.182/80.208	84.588/84.614	23.800	2.164	0.052/0.129	BS	4692CP	

09/95→

66571CP

66572CPH

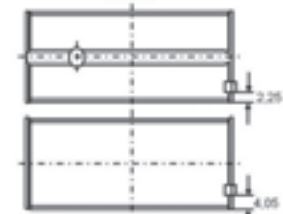
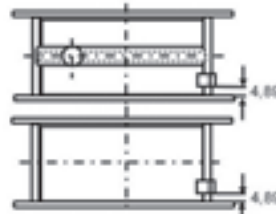
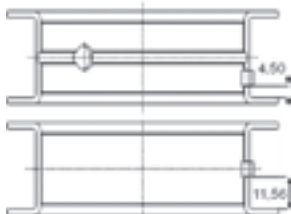
66573CP



66574CPH

4691CPH

4692CP









SE/PB	1	31.990/31.996	34.895/34.920	30.700			BS	66579YA	55-4186 SEMI
-------	---	---------------	---------------	--------	--	--	----	---------	------------------------






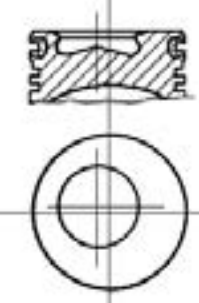



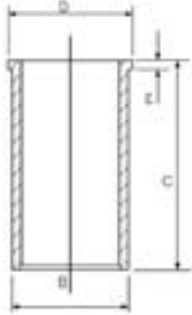
Mot.344183→

RENAULT/DACIA

...Continued



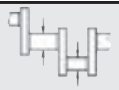
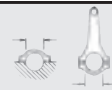






1446	 93.00	Diesel
		
	JJ519 	NP067  50.00x70.00x10.00mm, FPM
	JJ519	

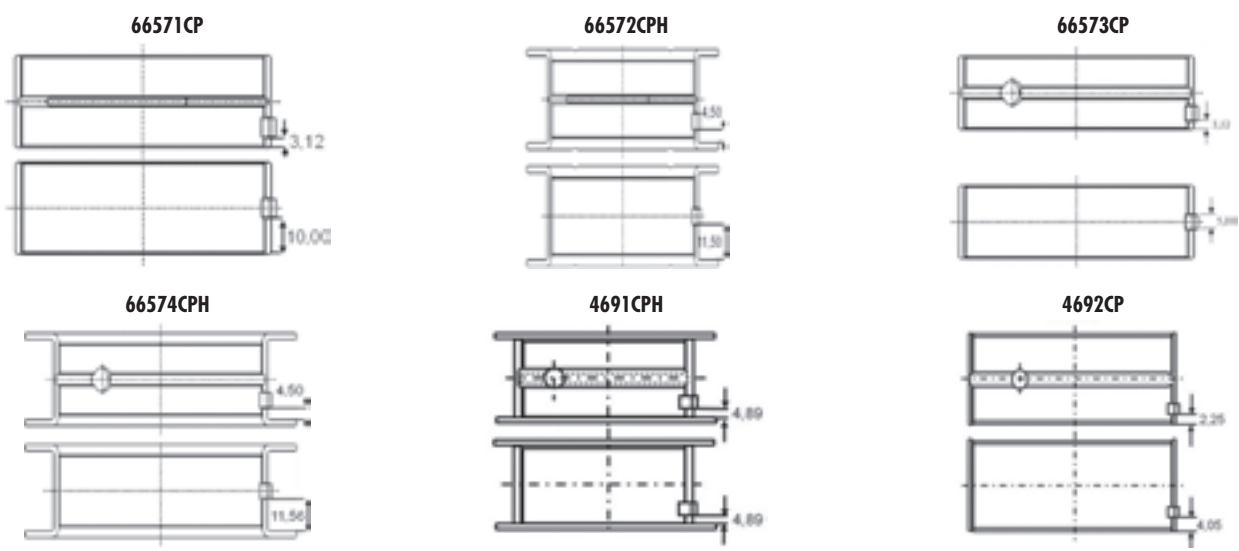
1447	 93.00	Diesel	
8140.07.2530 ID	4 Cyl.	18.5:1	2500cc
			56kW (76)PS
			TD3417 727

			
87-425000-00 87-425008-00	STD 0.60mm	08-425000-00 STD 08-425008-00 0.60mm	14-021371-00 D B 96.01 C 171.00 D 98.92 E 5.00 14-021372-00 D B 96.05 C 171.00 D 98.92 E 5.00 14-021373-00 D B 96.17 C 171.00 D 98.92 E 5.00 14-021480-00 DH [35] B 97.04 C 171.00 D 100.00 E 5.00
A 58.75 B- 16.90 BØ 40.00 D 96.75  32x75 RT		3.00  CR P 2.00  P 3.00  CR P	
[35] Nitrided	[35] Nitridé	[35] Nitruato	[35] Nitruado

...Continued

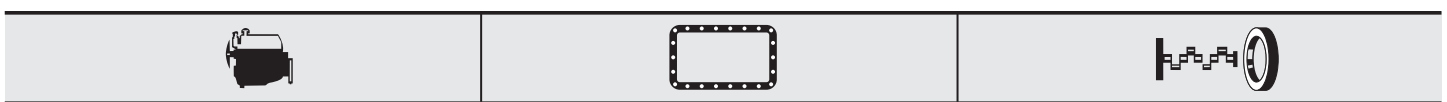
1447  **93.00** Diesel

									
BE/PL	4	56.520/56.535	60.333/60.345	24.700	1.870	0.020/0.072	BS	1870CP	71-4130/4 STD 0.25 0.50 0.75
MB/HL 1-4	4	76.187/76.200	80.586/80.607	24.990	2.172	0.042/0.100	BS	66571CP	H1049/5 STD 0.25 0.50 0.75
MB/HL 5	1	76.187/76.200	80.586/80.607	31.950	2.172	0.042/0.100	BS	66572CPH	
→12/92									
MB/HL 1-4	4	76.187/76.200	80.586/80.607	24.990	2.172	0.038/0.097	BS	66573CP	H1094/5 STD 0.25
MB/HL 5	1	76.187/76.200	80.586/80.607	31.950	2.172	0.038/0.097	BS	66574CPH	
01/93→08/95									
MB/HL 5	1	86.182/86.208	90.588/90.614	30.950	2.164	0.052/0.129	BS	4691CPH	H1104/5 STD 0.25 0.50
MB/HL 1-4	4	80.182/80.208	84.588/84.614	23.800	2.164	0.052/0.129	BS	4692CP	
09/95→									




SE/PB	1	31.990/31.996	34.895/34.920	30.700			BS	66579YA	55-4186 SEMI
-------	---	---------------	---------------	--------	--	--	----	---------	------------------------

Mot.344183→



JJ519

NP067  50.00x70.00x10.00mm, FPM

JJ519

1448



93.00

Diesel



8140.07.2585 Euro 1

4 Cyl.

18.5:1

2500cc

55kW (75)PS

TD12192

728

<p>87-425000-00 STD</p> <p>87-425008-00 0.60mm</p> <p>A 58.75</p> <p>B- 16.90</p> <p>BØ 40.00</p> <p>D 96.75</p> <p> 32x75</p> <p>RT</p>	<p>08-425000-00 STD</p> <p>08-425008-00 0.60mm</p> <p>3.00 CR P</p> <p>2.00 P</p> <p>3.00 CR P</p>	<p>14-021371-00 D</p> <p>B 96.01 C 171.00 D 98.92 E 5.00</p> <p>14-021372-00 D</p> <p>B 96.05 C 171.00 D 98.92 E 5.00</p> <p>14-021373-00 D</p> <p>B 96.17 C 171.00 D 98.92 E 5.00</p> <p>14-021480-00 DH [35]</p> <p>B 97.04 C 171.00 D 100.00 E 5.00</p>	<p></p>

[35] Nitrided

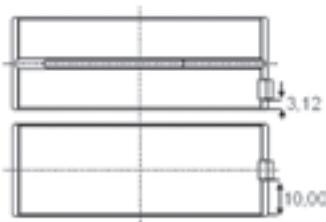
[35] Nitridé

[35] Nitruato

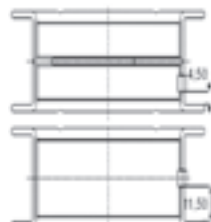
[35] Niturado

BE/PL	4	56.520/56.535	60.333/60.345	24.700	1.870	0.020/0.072	BS	1870CP	71-4130/4 STD 0.25 0.50 0.75	
MB/HL 1-4	4	76.187/76.200	80.586/80.607	24.990	2.172	0.042/0.100	BS	66571CP	H1049/5 STD 0.25 0.50 0.75	
MB/HL 5	1	76.187/76.200	80.586/80.607	31.950	2.172	0.042/0.100	BS	66572CPH		
→12/92										
MB/HL 1-4	4	76.187/76.200	80.586/80.607	24.990	2.172	0.038/0.097	BS	66573CP	H1094/5 STD 0.25	
MB/HL 5	1	76.187/76.200	80.586/80.607	31.950	2.172	0.038/0.097	BS	66574CPH		
01/93→08/95										
MB/HL 5	1	86.182/86.208	90.588/90.614	30.950	2.164	0.052/0.129	BS	4691CPH	H1104/5 STD 0.25 0.50	
MB/HL 1-4	4	80.182/80.208	84.588/84.614	23.800	2.164	0.052/0.129	BS	4692CP		
09/95→										

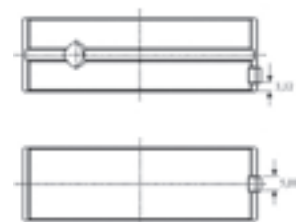
66571CP



66572CPH



66573CP

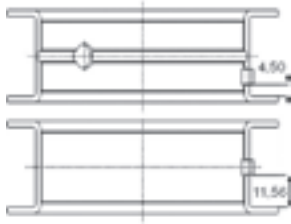


...Continued

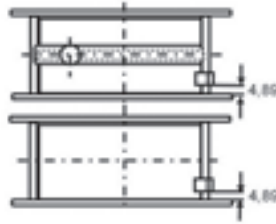
1448  **93.00** **Diesel**



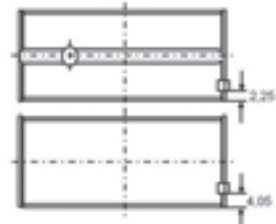
66574CPH



4691CPH



4692CP









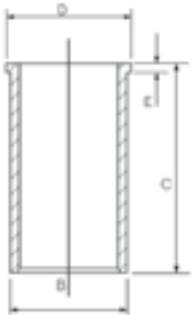


SE/PB	1	31.990/31.996	34.895/34.920	30.700		BS	66579YA	55-4186 SEMI
-------	---	---------------	---------------	--------	--	----	---------	-----------------

Mot.344183 →

1449  **93.00** **Diesel** 

8140.07.2700 4 Cyl. 18:1 2500cc 55kW (75)PS TD22385 729

			
<p>87-425000-00 STD</p> <p>87-425008-00 0.60mm</p> <p>A 58.75</p> <p>B- 16.90</p> <p>BØ 40.00</p> <p>D 96.75</p> <p> 32x75</p> <p>RT</p>	<p>08-425000-00 STD</p> <p>08-425008-00 0.60mm</p> <p>3.00  CR P</p> <p>2.00  P</p> <p>3.00  CR P</p>	<p>14-021371-00 D</p> <p>B 96.01 C 171.00 D 98.92 E 5.00</p> <p>14-021372-00 D</p> <p>B 96.05 C 171.00 D 98.92 E 5.00</p> <p>14-021373-00 D</p> <p>B 96.17 C 171.00 D 98.92 E 5.00</p> <p>14-021480-00 DH [35]</p> <p>B 97.04 C 171.00 D 100.00 E 5.00</p> 	
[35] Nitrided	[35] Nitridé	[35] Niturato	[35] Niturado

1449



93.00

Diesel

BE/PL	4	56.520/56.535	60.333/60.345	24.700	1.870	0.020/0.072	BS	1870CP	71-4130/4 STD 0.25 0.50 0.75

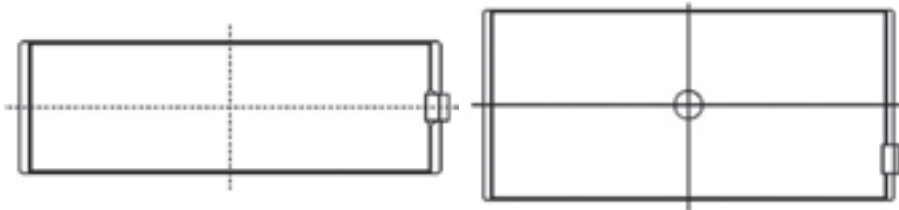
→10/82→

BE/PL	4	56.520/56.535	60.333/60.345	24.700	1.870	0.020/0.070	BS	66575CP	71-4185/4 STD 0.25 0.50 0.75
-------	---	---------------	---------------	--------	-------	-------------	----	---------	--

→09/82

1870CP

66575CP



MB/HL 1-4	4	76.187/76.200	80.586/80.607	24.990	2.172	0.042/0.100	BS	66571CP	H1049/5 STD 0.25 0.50 0.75
MB/HL 5	1	76.187/76.200	80.586/80.607	31.950	2.172	0.042/0.100	BS	66572CPH	

→12/92

MB/HL 1-4	4	76.187/76.200	80.586/80.607	24.990	2.172	0.038/0.097	BS	66573CP	H1094/5 STD 0.25
MB/HL 5	1	76.187/76.200	80.586/80.607	31.950	2.172	0.038/0.097	BS	66574CPH	

01/93→08/95

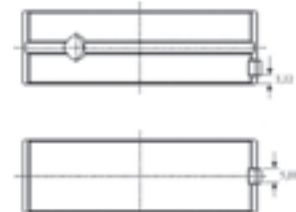
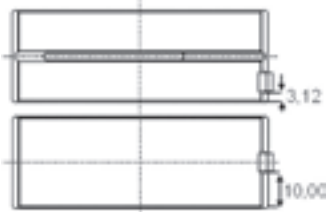
MB/HL 5	1	86.182/86.208	90.588/90.614	30.950	2.164	0.052/0.129	BS	4691CPH	H1104/5 STD 0.25 0.50
MB/HL 1-4	4	80.182/80.208	84.588/84.614	23.800	2.164	0.052/0.129	BS	4692CP	

09/95→

66571CP

66572CPH

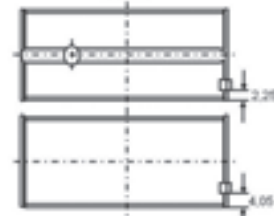
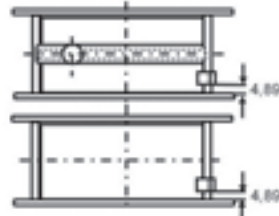
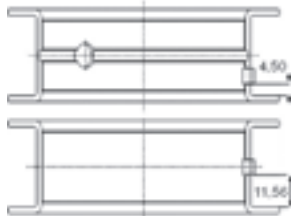
66573CP



66574CPH

4691CPH






4692CP





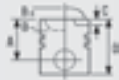




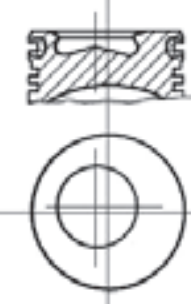



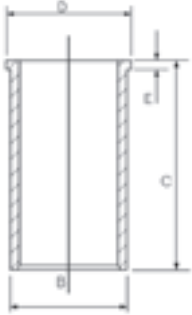
SE/PB	1	31.990/31.996	34.895/34.920	30.700			BS	66579YA	55-4186 SEMI
-------	---	---------------	---------------	--------	--	--	----	---------	------------------------

Mot.344183→

...Continued

1449	 93.00	Diesel
		
JJ519		
		
JJ519		

1450	 93.00	Diesel	
8140.07.3700 Euro 1	4 Cyl.	18.5:1	2500cc
		55kW (75)PS	TD22386 729











			
87-425000-00 STD 87-425008-00 0.60mm A 58.75 B- 16.90 BØ 40.00 D 96.75  32x75 RT		08-425000-00 STD 08-425008-00 0.60mm 3.00  CR P 2.00  P 3.00  CR P	14-021371-00 D B 96.01 C 171.00 D 98.92 E 5.00 14-021372-00 D B 96.05 C 171.00 D 98.92 E 5.00 14-021373-00 D B 96.17 C 171.00 D 98.92 E 5.00 14-021480-00 DH [35] B 97.04 C 171.00 D 100.00 E 5.00 

[35] Nitrided

[35] Nitridé

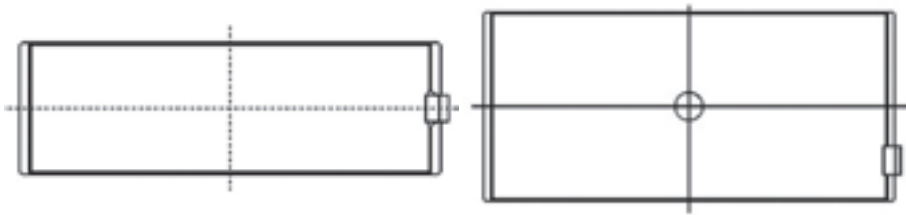
[35] Nitruato

[35] Nitruado

									
BE/PL	4	56.520/56.535	60.333/60.345	24.700	1.870	0.020/0.072	BS	1870CP	71-4130/4 STD 0.25 0.50 0.75
10/82→									
BE/PL	4	56.520/56.535	60.333/60.345	24.700	1.870	0.020/0.070	BS	66575CP	71-4185/4 STD 0.25 0.50 0.75
→09/82									

1870CP

66575CP



1450

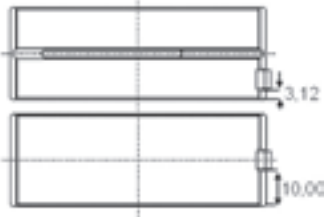


93.00

Diesel

									H1049/5 STD 0.25 0.50 0.75
MB/HL 1-4	4	76.187/76.200	80.586/80.607	24.990	2.172	0.042/0.100	BS	66571CP	
MB/HL 5	1	76.187/76.200	80.586/80.607	31.950	2.172	0.042/0.100	BS	66572CPH	
→12/92									
MB/HL 1-4	4	76.187/76.200	80.586/80.607	24.990	2.172	0.038/0.097	BS	66573CP	H1094/5 STD 0.25
MB/HL 5	1	76.187/76.200	80.586/80.607	31.950	2.172	0.038/0.097	BS	66574CPH	
01/93→08/95									
MB/HL 5	1	86.182/86.208	90.588/90.614	30.950	2.164	0.052/0.129	BS	4691CPH	H1104/5 STD 0.25 0.50
MB/HL 1-4	4	80.182/80.208	84.588/84.614	23.800	2.164	0.052/0.129	BS	4692CP	
09/95→									

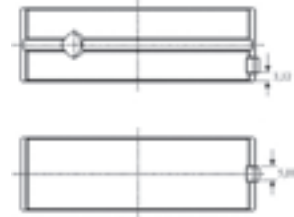
66571CP



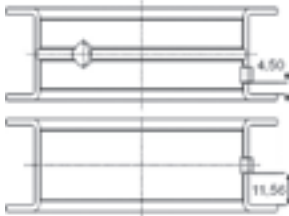
66572CPH



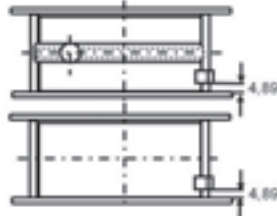
66573CP



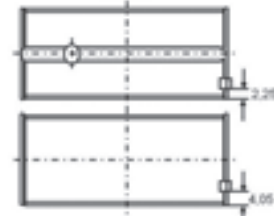
66574CPH



4691CPH



4692CP



SE/PB

1

31.990/31.996

34.895/34.920

30.700

BS

66579YA

55-4186
SEMI

Mot.344183→



JJ519



JJ519

1451

93.00

Diesel



8140.27.2500

4 Cyl.

2500cc

69kW (93)PS

TD3419

730

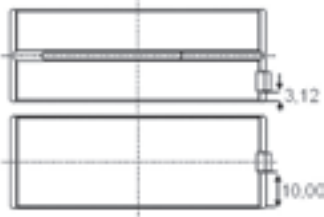
MASTER

08/89→07/98

BE/PL	4	56.520/56.535	60.333/60.345	24.700	1.870	0.020/0.072	BS	1870CP	71-4130/4 STD 0.25 0.50 0.75	
MB/HL 1-4	4	76.187/76.200	80.586/80.607	24.990	2.172	0.042/0.100	BS	66571CP	H1049/5 STD 0.25 0.50 0.75	
MB/HL 5	1	76.187/76.200	80.586/80.607	31.950	2.172	0.042/0.100	BS	66572CPH		
→12/92										
MB/HL 1-4	4	76.187/76.200	80.586/80.607	24.990	2.172	0.038/0.097	BS	66573CP	H1094/5 STD 0.25	
MB/HL 5	1	76.187/76.200	80.586/80.607	31.950	2.172	0.038/0.097	BS	66574CPH		
01/93→08/95, Mot.1846777→										
MB/HL 5	1	86.182/86.208	90.588/90.614	30.950	2.164	0.052/0.129	BS	4691CPH	H1104/5 STD 0.25 0.50	
MB/HL 1-4	4	80.182/80.208	84.588/84.614	23.800	2.164	0.052/0.129	BS	4692CP		

09/95→

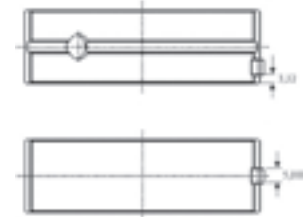
66571CP



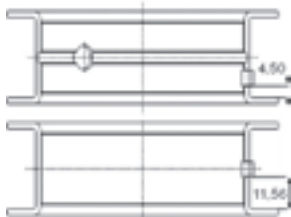
66572CPH



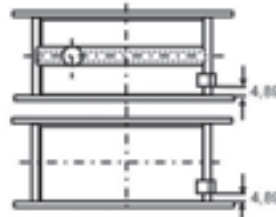
66573CP



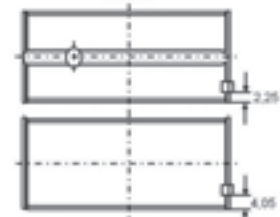
66574CPH



4691CPH



4692CP



SE/PB

1

31.990/31.996

34.895/34.920

30.700

BS

66579YA

55-4186
SEMI

Mot.344183→



JJ519

NF833 FPM



JJ519

RENAULT/DACIA

1452


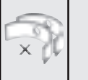
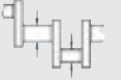








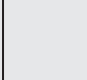
 **93.00**

Diesel

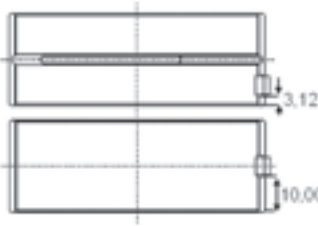

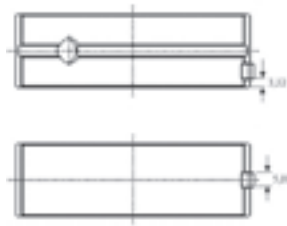
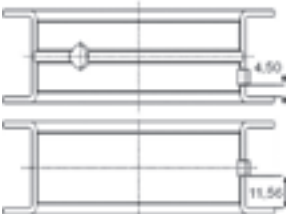
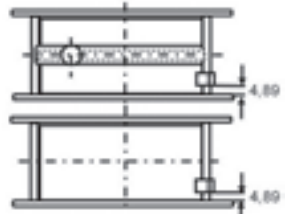
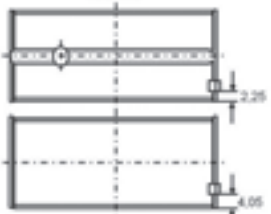


8140.27.2510 Sofim	4 Cyl.		2500cc	69kW (93)PS		TD3420	730
S9U 702	4 Cyl.	17.5:1	2500cc	72kW (98)PS		TD12731	752




MASTER 08/89→07/98

											
BE/PL	4	56.520/56.535	60.333/60.345	24.700	1.870	0.020/0.072	BS	1870CP	71-4130/4 STD 0.25 0.50 0.75		
MB/HL 1-4	4	76.187/76.200	80.586/80.607	24.990	2.172	0.042/0.100	BS	66571CP	H1049/5 STD 0.25 0.50 0.75		
MB/HL 5	1	76.187/76.200	80.586/80.607	31.950	2.172	0.042/0.100	BS	66572CPH			
→12/92											
MB/HL 1-4	4	76.187/76.200	80.586/80.607	24.990	2.172	0.038/0.097	BS	66573CP	H1094/5 STD 0.25		
MB/HL 5	1	76.187/76.200	80.586/80.607	31.950	2.172	0.038/0.097	BS	66574CPH			
01/93→08/95											
MB/HL 5	1	86.182/86.208	90.588/90.614	30.950	2.164	0.052/0.129	BS	4691CPH	H1104/5 STD 0.25 0.50		
MB/HL 1-4	4	80.182/80.208	84.588/84.614	23.800	2.164	0.052/0.129	BS	4692CP			

09/95→

66571CP			66572CPH			66573CP				
										
66574CPH			4691CPH			4692CP				
										
SE/PB	1	31.990/31.996	34.895/34.920	30.700			BS	66579YA	55-4186 SEMI	

Mot.344183→

		
---	---	---

JJ519

NF833  FPM



JJ519

1453

93.00

Diesel

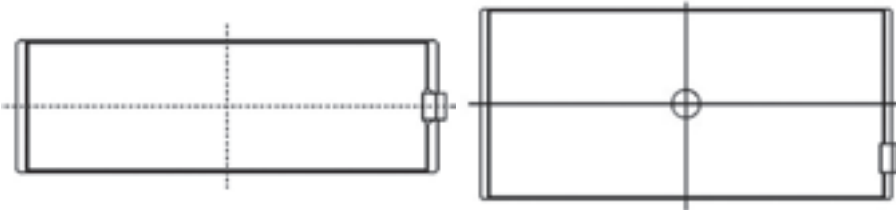


8140.27.2512	4 Cyl.		2500cc	69kW (93)PS					TD3421	731
8140.47.2580	4 Cyl.	18.5:1	2500cc	76kW (103)PS					TD3427	731
S8U 772	4 Cyl.	22.5:1	2500cc	59kW (80)PS					TD23889	748

	4	56.520/56.535	60.333/60.345	24.700	1.870	0.020/0.072	BS	1870CP	71-4130/4 STD 0.25 0.50 0.75
10/82→									
BE/PL	4	56.520/56.535	60.333/60.345	24.700	1.870	0.020/0.070	BS	66575CP	71-4185/4 STD 0.25 0.50 0.75
→09/82									

1870CP

66575CP



MB/HL 1-4	4	76.187/76.200	80.586/80.607	24.990	2.172	0.042/0.100	BS	66571CP	H1049/5 STD 0.25 0.50 0.75
MB/HL 5	1	76.187/76.200	80.586/80.607	31.950	2.172	0.042/0.100	BS	66572CPH	

→12/92

MB/HL 1-4	4	76.187/76.200	80.586/80.607	24.990	2.172	0.038/0.097	BS	66573CP	H1094/5 STD 0.25
MB/HL 5	1	76.187/76.200	80.586/80.607	31.950	2.172	0.038/0.097	BS	66574CPH	

01/93→08/95

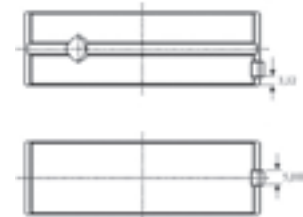
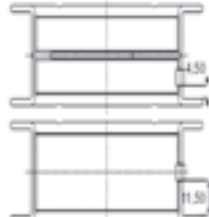
MB/HL 5	1	86.182/86.208	90.588/90.614	30.950	2.164	0.052/0.129	BS	4691CPH	H1104/5 STD 0.25 0.50
MB/HL 1-4	4	80.182/80.208	84.588/84.614	23.800	2.164	0.052/0.129	BS	4692CP	

09/95→

66571CP

66572CPH

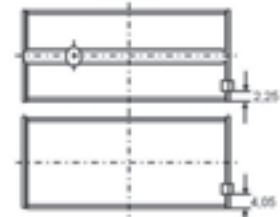
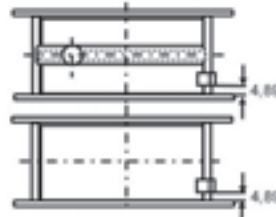
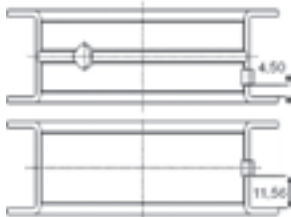
66573CP



66574CPH

4691CPH

4692CP



SE/PB	1	31.990/31.996	34.895/34.920	30.700			BS	66579YA	55-4186 SEMI
-------	---	---------------	---------------	--------	--	--	----	---------	-----------------

Mot.344183→

1454


93.00
Diesel

8140.27.2530 IDS

4 Cyl.

18:1

2500cc

71-78kW (96-106)PS
TD3422
732

BE/PL	4	56.520/56.535	60.333/60.345	24.700	1.870	0.020/0.072	BS	1870CP	71-4130/4 STD 0.25 0.50 0.75
MB/HL 1-4	4	76.187/76.200	80.586/80.607	24.990	2.172	0.042/0.100	BS	66571CP	H1049/5 STD 0.25 0.50 0.75
MB/HL 5	1	76.187/76.200	80.586/80.607	31.950	2.172	0.042/0.100	BS	66572CPH	
SE/PB	1	31.990/31.996	34.895/34.920	30.700			BS	66579YA	55-4186 SEMI

Mot.344183 →

--	--	--

JJ519
NP067 50.00x70.00x10.00mm, FPM

JJ519

1455


93.00
Diesel

8140.27.2560

4 Cyl.

2500cc

69kW (93)PS
TD8623
731
8140.47.2535

4 Cyl.

18.5:1

2500cc

85kW (116)PS
TD3426
731
8140.47.2700 Euro 1

4 Cyl.

18.5:1

2500cc

85kW (116)PS
TD22395
737
8140.47.2721 Euro 1

4 Cyl.

18.5:1

2500cc

85kW (116)PS
TD22396
737
8140.47.2785 Euro 1

4 Cyl.

18.5:1

2500cc

85kW (116)PS
TD22397
737

87-520200-00 STD	08-520200-00 STD	14-021371-00 D B 96.01 C 171.00 D 98.92 E 5.00	
A 58.75	3.00 CR	14-021372-00 D B 96.05 C 171.00 D 98.92 E 5.00	
B- 18.40	2.00 P	14-021373-00 D B 96.17 C 171.00 D 98.92 E 5.00	
BØ 38.00	3.00 CR P	14-021480-00 DH [35] B 97.04 C 171.00 D 100.00 E 5.00	
D 96.75			
32x78			
AK KK NB RT			

[35] Nitrided



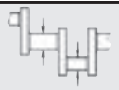
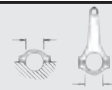






[35] Nitridé

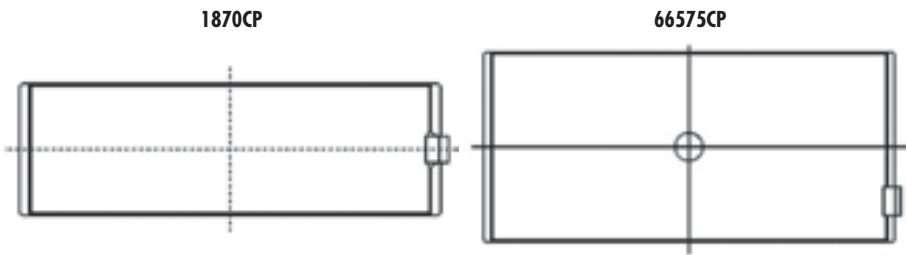
[35] Niturato

[35] Niturado

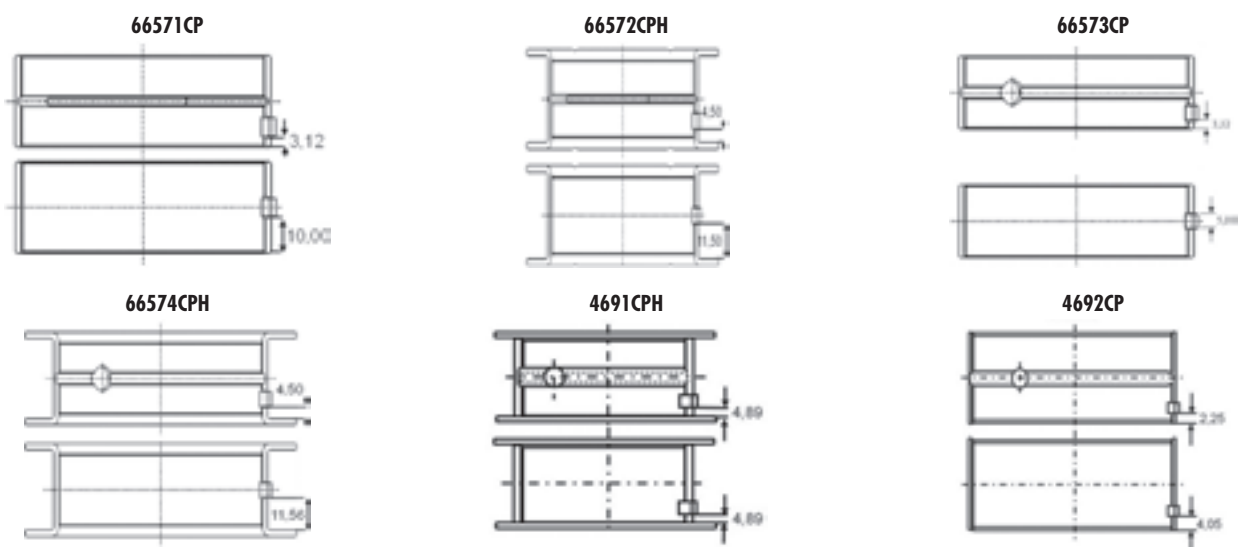
...Continued

1455  **93.00** **Diesel**

									
BE/PL	4	56.520/56.535	60.333/60.345	24.700	1.870	0.020/0.072	BS	1870CP	71-4130/4 STD 0.25 0.50 0.75
10/82 →									
BE/PL	4	56.520/56.535	60.333/60.345	24.700	1.870	0.020/0.070	BS	66575CP	71-4185/4 STD 0.25 0.50 0.75
→09/82									







MB/HL 1-4	4	76.187/76.200	80.586/80.607	24.990	2.172	0.042/0.100	BS	66571CP	H1049/5 STD 0.25 0.50 0.75
MB/HL 5	1	76.187/76.200	80.586/80.607	31.950	2.172	0.042/0.100	BS	66572CPH	
→12/92									
MB/HL 1-4	4	76.187/76.200	80.586/80.607	24.990	2.172	0.038/0.097	BS	66573CP	H1094/5 STD 0.25
MB/HL 5	1	76.187/76.200	80.586/80.607	31.950	2.172	0.038/0.097	BS	66574CPH	
01/93 → 08/95									
MB/HL 5	1	86.182/86.208	90.588/90.614	30.950	2.164	0.052/0.129	BS	4691CPH	H1104/5 STD 0.25 0.50
MB/HL 1-4	4	80.182/80.208	84.588/84.614	23.800	2.164	0.052/0.129	BS	4692CP	
09/95 →									













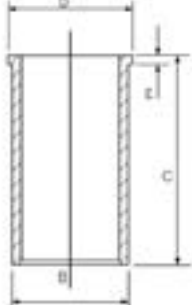
SE/PB	1	31.990/31.996	34.895/34.920	30.700			BS	66579YA	55-4186 SEMI
Mot.344183 →									

RENAULT/DACIA

...Continued

1455	 93.00	Diesel
		
		JH5178 Soft Material Gasket

1456	 93.00	Diesel	
8140.27.2565 IDS Sofim	4 Cyl.	2500cc	78kW (106)PS
		TD12197	731

			
87-245200-60	08-245200-00	14-021371-00 D	
STD	STD	B 96.01 C 171.00 D 98.92 E 5.00	
	08-245208-00	14-021372-00 D	
	0.60mm	B 96.05 C 171.00 D 98.92 E 5.00	
A 58.65	3.00  CR P	14-021373-00 D	
B- 14.80	2.00  P	B 96.17 C 171.00 D 98.92 E 5.00	
BØ 51.90	3.00  CR P	14-021480-00 DH [35]	
D 75.20		B 97.04 C 171.00 D 100.00 E 5.00	
 32x75			
RT			

[35] Nitrided


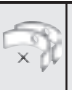
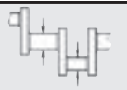
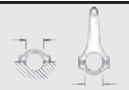






[35] Nitridé

[35] Niturato

[35] Niturado

...Continued

1456  **93.00** **Diesel**

									
BE/PL	4	56.520/56.535	60.333/60.345	24.700	1.870	0.020/0.072	BS	1870CP	71-4130/4 STD 0.25 0.50 0.75

10/82 →

MB/HL 1-4	4	76.187/76.200	80.586/80.607	24.990	2.172	0.042/0.100	BS	66571CP	H1049/5 STD 0.25 0.50 0.75
MB/HL 5	1	76.187/76.200	80.586/80.607	31.950	2.172	0.042/0.100	BS	66572CPH	

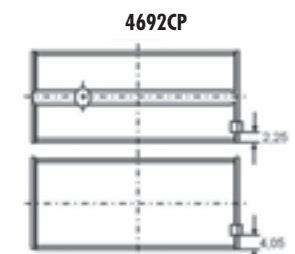
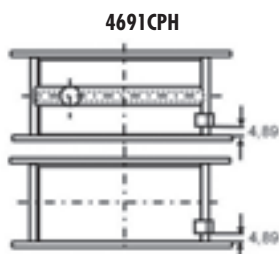
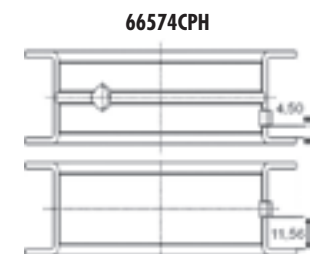
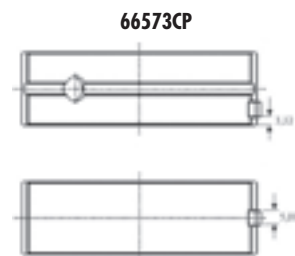
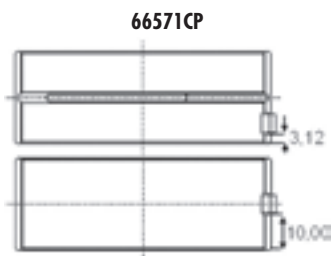
→12/92

MB/HL 1-4	4	76.187/76.200	80.586/80.607	24.990	2.172	0.038/0.097	BS	66573CP	H1094/5 STD 0.25
MB/HL 5	1	76.187/76.200	80.586/80.607	31.950	2.172	0.038/0.097	BS	66574CPH	

01/93 →08/95




MB/HL 5	1	86.182/86.208	90.588/90.614	30.950	2.164	0.052/0.129	BS	4691CPH	H1104/5 STD 0.25 0.50
MB/HL 1-4	4	80.182/80.208	84.588/84.614	23.800	2.164	0.052/0.129	BS	4692CP	

09/95 →



SE/PB	1	31.990/31.996	34.895/34.920	30.700			BS	66579YA	55-4186 SEMI
-------	---	---------------	---------------	--------	--	--	----	---------	------------------------

Mot.344183 →

		
<p>JH5178 Soft Material Gasket</p>		

1457



93.00

Diesel



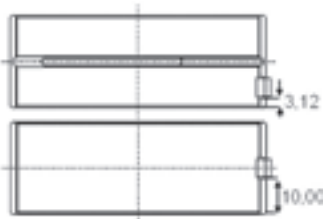
8140.27.2580 Sofim	4 Cyl.	18:1	2500cc	72kW (98)PS	TD3423	733
S9U 704	4 Cyl.	17.5:1	2500cc	69kW (93)PS	TD12733	751

MASTER 08/89→07/98

BE/PL	4	56.520/56.535	60.333/60.345	24.700	1.870	0.020/0.072	BS	1870CP	71-4130/4 STD 0.25 0.50 0.75
MB/HL 1-4	4	76.187/76.200	80.586/80.607	24.990	2.172	0.042/0.100	BS	66571CP	H1049/5 STD 0.25 0.50 0.75
MB/HL 5	1	76.187/76.200	80.586/80.607	31.950	2.172	0.042/0.100	BS	66572CPH	
→12/92									
MB/HL 1-4	4	76.187/76.200	80.586/80.607	24.990	2.172	0.038/0.097	BS	66573CP	H1094/5 STD 0.25
MB/HL 5	1	76.187/76.200	80.586/80.607	31.950	2.172	0.038/0.097	BS	66574CPH	
01/93→08/95									
MB/HL 5	1	86.182/86.208	90.588/90.614	30.950	2.164	0.052/0.129	BS	4691CPH	H1104/5 STD 0.25 0.50
MB/HL 1-4	4	80.182/80.208	84.588/84.614	23.800	2.164	0.052/0.129	BS	4692CP	

09/95→

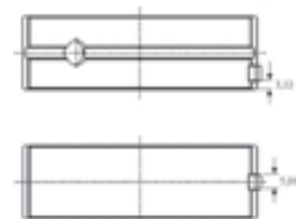
66571CP



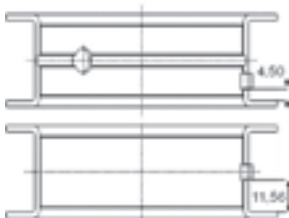
66572CPH



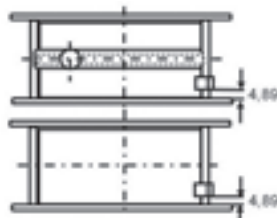
66573CP



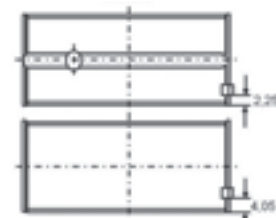
66574CPH



4691CPH



4692CP



SE/PB

1

31.990/31.996

34.895/34.920

30.700

BS

66579YA

55-4186
SEMI

Mot.344183→




JJ519

NP067 50.00x70.00x10.00mm, FPM



JJ519

1458

 93.00

Diesel



8140.27.2582

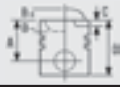
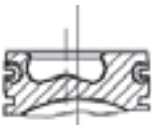






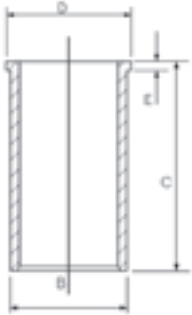






4 Cyl.

2500cc

92kW (125)PS

TD3424

731




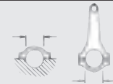






 <p>87-245200-40 87-245208-40</p> <p>STD 0.60mm</p>  <p>A 58.75 B- 17.90 BØ 38.00 D 96.75  32x75</p> <p>RT</p>	 <p>08-245200-00 STD 08-245208-00 0.60mm</p> <p>3.00  CR P 2.00  P 3.00  CR P</p>	 <p>14-021371-00 D B 96.01 C 171.00 D 98.92 E 5.00 14-021372-00 D B 96.05 C 171.00 D 98.92 E 5.00 14-021373-00 D B 96.17 C 171.00 D 98.92 E 5.00 14-021480-00 DH [35] B 97.04 C 171.00 D 100.00 E 5.00</p> 	
<p>87-245200-50 87-245208-50</p> <p>STD 0.60mm</p>  <p>A 58.75 B- 17.90 BØ 38.00 D 96.75  32x78</p> <p>AK NB RT</p>	<p>08-245200-00 STD 08-245208-00 0.60mm</p> <p>3.00  CR P 2.00  P 3.00  CR P</p>		

[35] Nitrided

[35] Nitridé

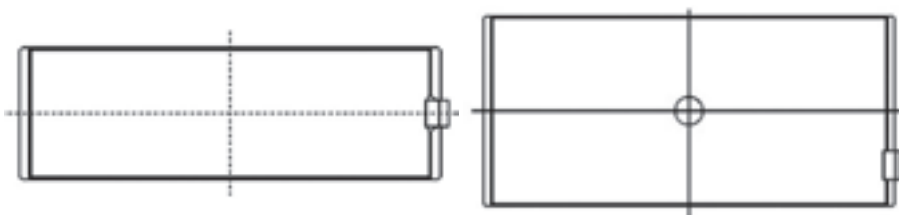
[35] Nitruato

[35] Niturado

									
BE/PL	4	56.520/56.535	60.333/60.345	24.700	1.870	0.020/0.072	BS	1870CP	71-4130/4 STD 0.25 0.50 0.75
10/82 →									
BE/PL	4	56.520/56.535	60.333/60.345	24.700	1.870	0.020/0.070	BS	66575CP	71-4185/4 STD 0.25 0.50 0.75
→09/82									

1870CP

66575CP



1458

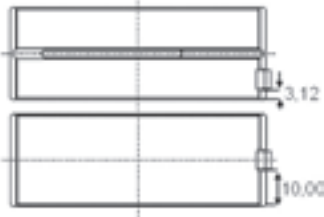


93.00

Diesel

MB/HL 1-4	4	76.187/76.200	80.586/80.607	24.990	2.172	0.042/0.100	BS	66571CP	H1049/5 STD 0.25 0.50 0.75	
MB/HL 5	1	76.187/76.200	80.586/80.607	31.950	2.172	0.042/0.100	BS	66572CPH		
→12/92										
MB/HL 1-4	4	76.187/76.200	80.586/80.607	24.990	2.172	0.038/0.097	BS	66573CP	H1094/5 STD 0.25	
MB/HL 5	1	76.187/76.200	80.586/80.607	31.950	2.172	0.038/0.097	BS	66574CPH		
01/93→08/95										
MB/HL 5	1	86.182/86.208	90.588/90.614	30.950	2.164	0.052/0.129	BS	4691CPH	H1104/5 STD 0.25 0.50	
MB/HL 1-4	4	80.182/80.208	84.588/84.614	23.800	2.164	0.052/0.129	BS	4692CP		
09/95→										

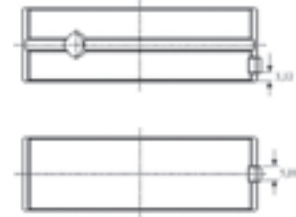
66571CP



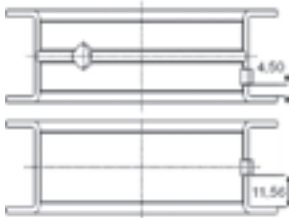
66572CPH



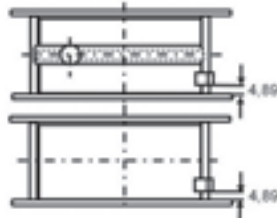
66573CP



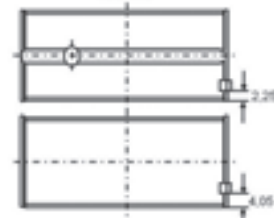
66574CPH



4691CPH



4692CP



SE/PB	1	31.990/31.996	34.895/34.920	30.700			BS	66579YA	55-4186 SEMI
-------	---	---------------	---------------	--------	--	--	----	---------	------------------------

Mot.344183→

1459

93.00

Diesel



8140.27.2585

4 Cyl.

18.5:1

2500cc

78kW (106)PS

TD12195

734

	<p>08-245200-00 STD</p> <p>08-245208-00 0.60mm</p> <p>3.00 CR P</p> <p>2.00 P</p> <p>3.00 CR P</p>	<p>14-021371-00 D</p> <p>B 96.01 C 171.00 D 98.92 E 5.00</p> <p>14-021372-00 D</p> <p>B 96.05 C 171.00 D 98.92 E 5.00</p> <p>14-021373-00 D</p> <p>B 96.17 C 171.00 D 98.92 E 5.00</p> <p>14-021480-00 DH [35]</p> <p>B 97.04 C 171.00 D 100.00 E 5.00</p>	

[35] Nitrided

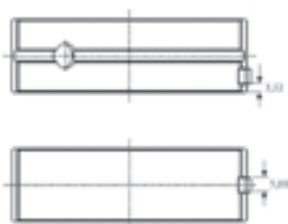
[35] Nitridé

[35] Nitruato

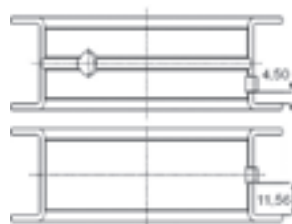
[35] Nitruado

BE/PL	4	56.520/56.535	60.333/60.345	24.700	1.870	0.020/0.072	BS	1870CP	71-4130/4 STD 0.25 0.50 0.75	
MB/HL 1-4	4	76.187/76.200	80.586/80.607	24.990	2.172	0.038/0.097	BS	66573CP	H1094/5 STD 0.25	
MB/HL 5	1	76.187/76.200	80.586/80.607	31.950	2.172	0.038/0.097	BS	66574CPH		
→08/95										
MB/HL 5	1	86.182/86.208	90.588/90.614	30.950	2.164	0.052/0.129	BS	4691CPH	H1104/5 STD 0.25 0.50	
MB/HL 1-4	4	80.182/80.208	84.588/84.614	23.800	2.164	0.052/0.129	BS	4692CP		
09/95→										

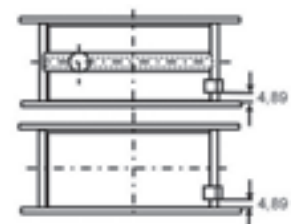
66573CP



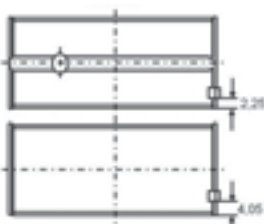
66574CPH



4691CPH



4692CP



SE/PB

1

31.990/31.996

34.895/34.920

30.700

BS

66579YA

55-4186
SEMI

Mot.344183→

1460



93.00

Diesel



8140.27.2700

4 Cyl.

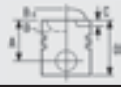
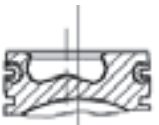





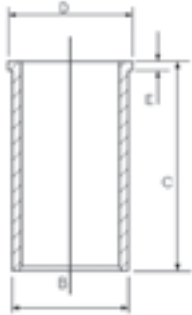





18.5:1

2500cc

68-76kW (92-103)PS

TD21392

729











 <p>87-245200-40 87-245208-40</p> <p>STD 0.60mm</p>  <p>A 58.75 B- 17.90 BØ 38.00 D 96.75 32x75</p> <p>RT</p>	 <p>08-245200-00 STD 08-245208-00 0.60mm</p> <p>3.00  CR P 2.00  P 3.00  CR P</p>	 <p>14-021371-00 D B 96.01 C 171.00 D 98.92 E 5.00 14-021372-00 D B 96.05 C 171.00 D 98.92 E 5.00 14-021373-00 D B 96.17 C 171.00 D 98.92 E 5.00 14-021480-00 DH [35] B 97.04 C 171.00 D 100.00 E 5.00</p> 	
<p>87-245200-50 87-245208-50</p> <p>STD 0.60mm</p>  <p>A 58.75 B- 17.90 BØ 38.00 D 96.75 32x78</p> <p>AK NB RT</p>	<p>08-245200-00 STD 08-245208-00 0.60mm</p> <p>3.00  CR P 2.00  P 3.00  CR P</p>		

[35] Nitrided

[35] Nitridé

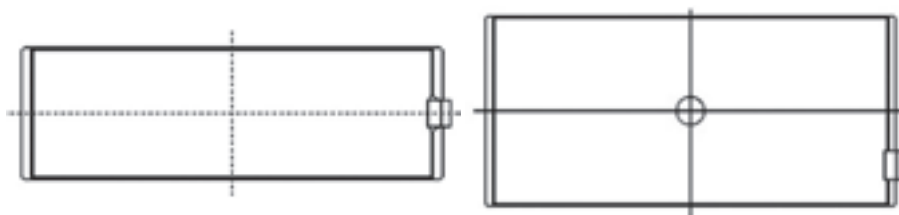
[35] Niturato

[35] Niturado

									
BE/PL	4	56.520/56.535	60.333/60.345	24.700	1.870	0.020/0.072	BS	1870CP	71-4130/4 STD 0.25 0.50 0.75
10/82 →									
BE/PL	4	56.520/56.535	60.333/60.345	24.700	1.870	0.020/0.070	BS	66575CP	71-4185/4 STD 0.25 0.50 0.75
→09/82									



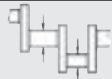







1870CP

66575CP

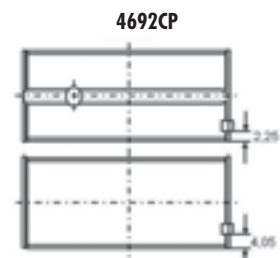
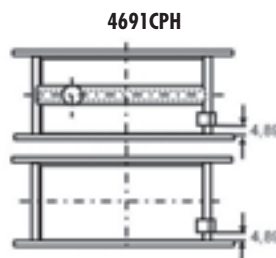
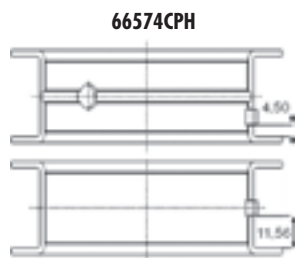
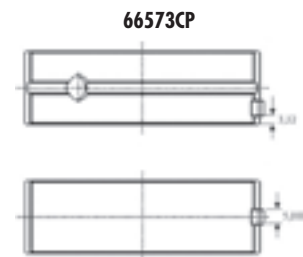
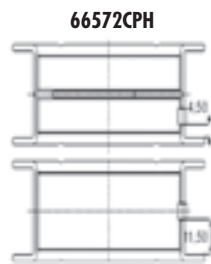
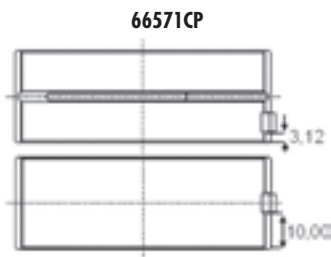


...Continued

1460  **93.00** **Diesel**

									
MB/HL 1-4	4	76.187/76.200	80.586/80.607	24.990	2.172	0.042/0.100	BS	66571CP	H1049/5 STD 0.25 0.50 0.75
MB/HL 5	1	76.187/76.200	80.586/80.607	31.950	2.172	0.042/0.100	BS	66572CPH	
→12/92									
MB/HL 1-4	4	76.187/76.200	80.586/80.607	24.990	2.172	0.038/0.097	BS	66573CP	H1094/5 STD 0.25
MB/HL 5	1	76.187/76.200	80.586/80.607	31.950	2.172	0.038/0.097	BS	66574CPH	
01/93→08/95									
MB/HL 5	1	86.182/86.208	90.588/90.614	30.950	2.164	0.052/0.129	BS	4691CPH	H1104/5 STD 0.25 0.50
MB/HL 1-4	4	80.182/80.208	84.588/84.614	23.800	2.164	0.052/0.129	BS	4692CP	

09/95→



SE/PB	1	31.990/31.996	34.895/34.920	30.700			BS	66579YA	55-4186 SEMI
-------	---	---------------	---------------	--------	--	--	----	---------	------------------------

Mot.344183→



JJ519



JJ519

1461



93.00

Diesel



8140.47.2530 IDR Sofim 4 Cyl. 18:1 2500cc 85kW (116)PS TD3425 735

87-520200-00 STD	08-520200-00 STD		
A 58.75 B- 18.40 BØ 38.00 D 96.75 32x78	3.00 CR 2.00 P 3.00 CR P		
AK KK NB RT			

BE/PL	4	56.520/56.535	60.333/60.345	24.700	1.870	0.020/0.072	BS	1870CP	71-4130/4 STD 0.25 0.50 0.75
MB/HL 1-4	4	76.187/76.200	80.586/80.607	24.990	2.172	0.042/0.100	BS	66571CP	H1049/5 STD 0.25 0.50 0.75
MB/HL 5	1	76.187/76.200	80.586/80.607	31.950	2.172	0.042/0.100	BS	66572CPH	

→12/92

MB/HL 1-4	4	76.187/76.200	80.586/80.607	24.990	2.172	0.038/0.097	BS	66573CP	H1094/5 STD 0.25
MB/HL 5	1	76.187/76.200	80.586/80.607	31.950	2.172	0.038/0.097	BS	66574CPH	

01/93→08/95

MB/HL 5	1	86.182/86.208	90.588/90.614	30.950	2.164	0.052/0.129	BS	4691CPH	H1104/5 STD 0.25 0.50
MB/HL 1-4	4	80.182/80.208	84.588/84.614	23.800	2.164	0.052/0.129	BS	4692CP	

09/95→

 66571CP	 66572CPH	 66573CP							
 66574CPH	 4691CPH	 4692CP							
SE/PB	1	31.990/31.996	34.895/34.920	30.700			BS	66579YA	55-4186 SEMI

Mot.344183→

...Continued

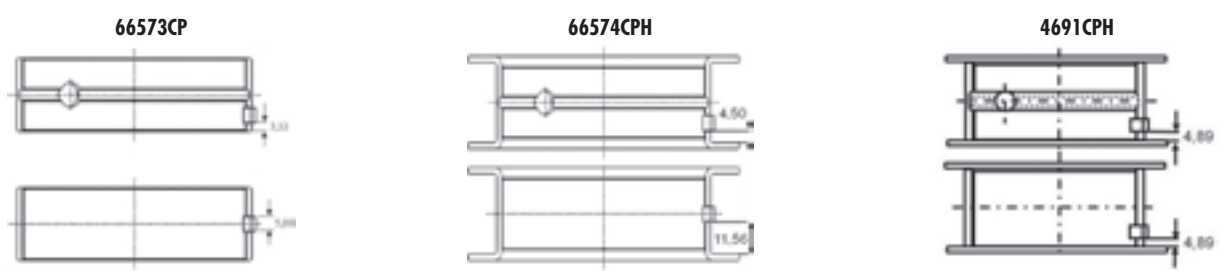
1461	93.00	Diesel			
	JJ519				NP067 50.00x70.00x10.00mm, FPM
			JJ519		

1462	93.00	Diesel			
8140.47.2585 Euro 1	4 Cyl.	2500cc	85kW (116)PS	TD3428	736

87-520200-00 STD	08-520200-00 STD	14-021371-00 D B 96.01 C 171.00 D 98.92 E 5.00	
A 58.75	3.00 CR	14-021372-00 D B 96.05 C 171.00 D 98.92 E 5.00	
B- 18.40	2.00 P	14-021373-00 D B 96.17 C 171.00 D 98.92 E 5.00	
BØ 38.00	3.00 CR P	14-021480-00 DH [35] B 97.04 C 171.00 D 100.00 E 5.00	
D 96.75			
32x78			
AK KK NB RT			

[35] Nitrided [35] Nitridé [35] Niturado [35] Niturado

BE/PL	4	56.520/56.535	60.333/60.345	24.700	1.870	0.020/0.072	BS	1870CP	71-4130/4 STD 0.25 0.50 0.75
MB/HL 1-4	4	76.187/76.200	80.586/80.607	24.990	2.172	0.038/0.097	BS	66573CP	H1094/5 STD 0.25
MB/HL 5	1	76.187/76.200	80.586/80.607	31.950	2.172	0.038/0.097	BS	66574CPH	
→08/95									
MB/HL 5	1	86.182/86.208	90.588/90.614	30.950	2.164	0.052/0.129	BS	4691CPH	H1104/5 STD 0.25 0.50
MB/HL 1-4	4	80.182/80.208	84.588/84.614	23.800	2.164	0.052/0.129	BS	4692CP	
09/95→									



1462

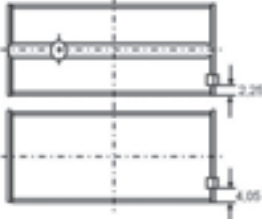


93.00

Diesel



4692CP



SE/PB	1	31.990/31.996	34.895/34.920	30.700		BS	66579YA	55-4186 SEMI
-------	---	---------------	---------------	--------	--	----	---------	-----------------

Mot.344183 →

	JH5178 Soft Material Gasket	NF883 114.00x177.00x13.00mm, FPM NF885 70.00x179.00x16.00mm, FPM

1463



93.00

Diesel



8140.47.2590 Euro 1	4 Cyl.	18.5:1	2500cc	85kW (116)PS	TD12199	725
---------------------	--------	--------	--------	--------------	---------	------------

87-520200-00 STD A 58.75 B- 18.40 BØ 38.00 D 96.75 32x78 AK KK NB RT	08-520200-00 STD 3.00 CR 2.00 P 3.00 CR P	14-021371-00 D B 96.01 C 171.00 D 98.92 E 5.00 14-021372-00 D B 96.05 C 171.00 D 98.92 E 5.00 14-021373-00 D B 96.17 C 171.00 D 98.92 E 5.00 14-021480-00 DH [35] B 97.04 C 171.00 D 100.00 E 5.00	
[35] Nitrided	[35] Nitridé	[35] Nitratato	[35] Niturado

...Continued

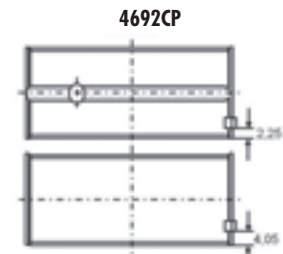
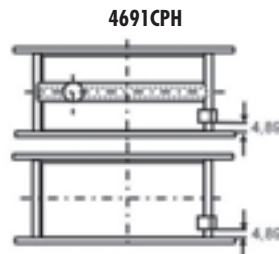
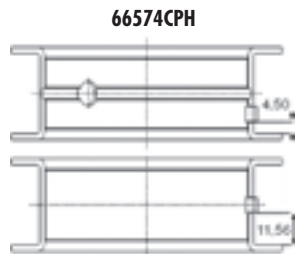
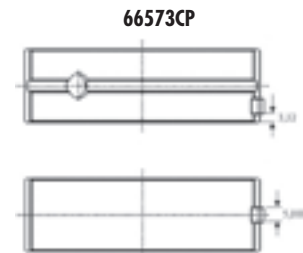
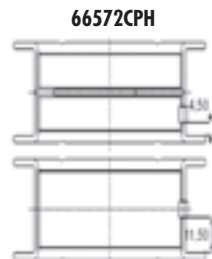
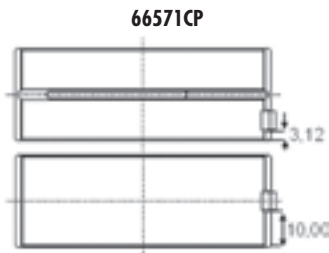
1463



93.00

Diesel

BE/PL	4	56.520/56.535	60.333/60.345	24.700	1.870	0.020/0.072	BS	1870CP	71-4130/4 STD 0.25 0.50 0.75	
MB/HL 1-4	4	76.187/76.200	80.586/80.607	24.990	2.172	0.042/0.100	BS	66571CP	H1049/5 STD 0.25 0.50 0.75	
MB/HL 5	1	76.187/76.200	80.586/80.607	31.950	2.172	0.042/0.100	BS	66572CPH		
→12/92										
MB/HL 1-4	4	76.187/76.200	80.586/80.607	24.990	2.172	0.038/0.097	BS	66573CP	H1094/5 STD 0.25	
MB/HL 5	1	76.187/76.200	80.586/80.607	31.950	2.172	0.038/0.097	BS	66574CPH		
01/93→08/95										
MB/HL 5	1	86.182/86.208	90.588/90.614	30.950	2.164	0.052/0.129	BS	4691CPH	H1104/5 STD 0.25 0.50	
MB/HL 1-4	4	80.182/80.208	84.588/84.614	23.800	2.164	0.052/0.129	BS	4692CP		
09/95→										



SE/PB	1	31.990/31.996	34.895/34.920	30.700			BS	66579YA	55-4186 SEMI
-------	---	---------------	---------------	--------	--	--	----	---------	------------------------

Mot.344183→



JH5178
Soft Material Gasket

NA784 70.00x90.00x10.00mm, ACM

RENAULT/DACIA

1464



93.00

Diesel



8140.67.2500	4 Cyl.	22:1	2500cc	55kW (75)PS	TD3431	738
8140.67.2550	4 Cyl.	21:1	2500cc	55kW (75)PS	TD12872	738
S8U 750	4 Cyl.	22:1	2500cc	55kW (75)PS	TD5566	743
S8U 752	4 Cyl.	22:1	2500cc	55kW (75)PS	TD5567	743

TRAFIC 03/89→03/01

<p>87-783300-00 STD 87-783308-00 0.60mm</p> <p>A 54.00 B- 2.20 D 89.00 32x75</p> <p>HA RT</p>	<p>08-783300-00 STD 08-783308-00 0.60mm</p> <p>3.00 CR P 2.00 P 3.00 CR P</p>	<p>14-021280-00 DH [35] B 97.03 C 167.00 D 100.00 E 5.00 14-022560-00 D B 96.00 C 167.30 D 98.90 E 5.00 14-028930-00 D B 97.50 C 167.00 D 100.90 E 5.00 14-028931-00 D B 97.58 C 167.00 D 100.90 E 5.00 14-028932-00 D B 97.70 C 167.00 D 100.90 E 5.00</p>	

[35] Nitrided



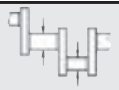
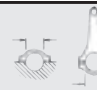






[35] Nitridé

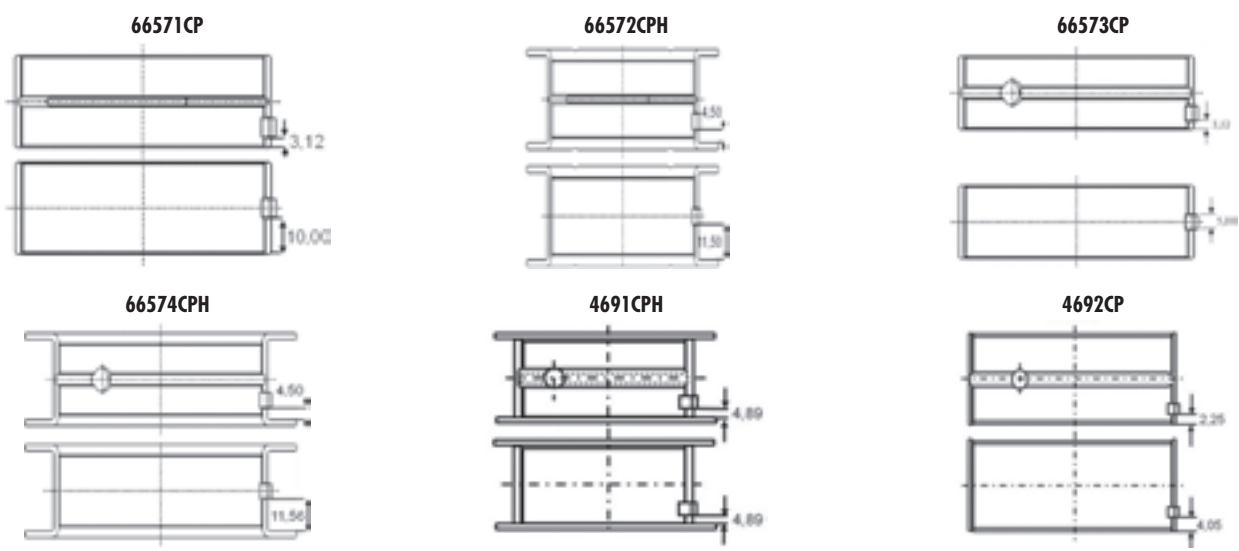
[35] Niturato

[35] Niturado

...Continued








1464  **93.00** **Diesel**

									
BE/PL	4	56.520/56.535	60.333/60.345	24.700	1.870	0.020/0.072	BS	1870CP	71-4130/4 STD 0.25 0.50 0.75
MB/HL 1-4	4	76.187/76.200	80.586/80.607	24.990	2.172	0.042/0.100	BS	66571CP	H1049/5 STD 0.25 0.50 0.75
MB/HL 5	1	76.187/76.200	80.586/80.607	31.950	2.172	0.042/0.100	BS	66572CPH	
→12/92									
MB/HL 1-4	4	76.187/76.200	80.586/80.607	24.990	2.172	0.038/0.097	BS	66573CP	H1094/5 STD 0.25
MB/HL 5	1	76.187/76.200	80.586/80.607	31.950	2.172	0.038/0.097	BS	66574CPH	
01/93→08/95									
MB/HL 5	1	86.182/86.208	90.588/90.614	30.950	2.164	0.052/0.129	BS	4691CPH	H1104/5 STD 0.25 0.50
MB/HL 1-4	4	80.182/80.208	84.588/84.614	23.800	2.164	0.052/0.129	BS	4692CP	
09/95→									




SE/PB	1	31.990/31.996	34.895/34.920	30.700			BS	66579YA	55-4186 SEMI
-------	---	---------------	---------------	--------	--	--	----	---------	------------------------

Mot.344183→

		
	JJ519	NP067  50.00x70.00x10.00mm, FPM NF883  114.00x177.00x13.00mm, FPM NF885  70.00x179.00x16.00mm, FPM
		
	JJ519	

RENAULT/DACIA

1465

 **93.00**

Diesel



8140.67.2510

4 Cyl.

21:1

2500cc



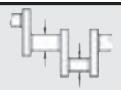

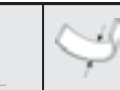





55kW (75)PS

TD3432

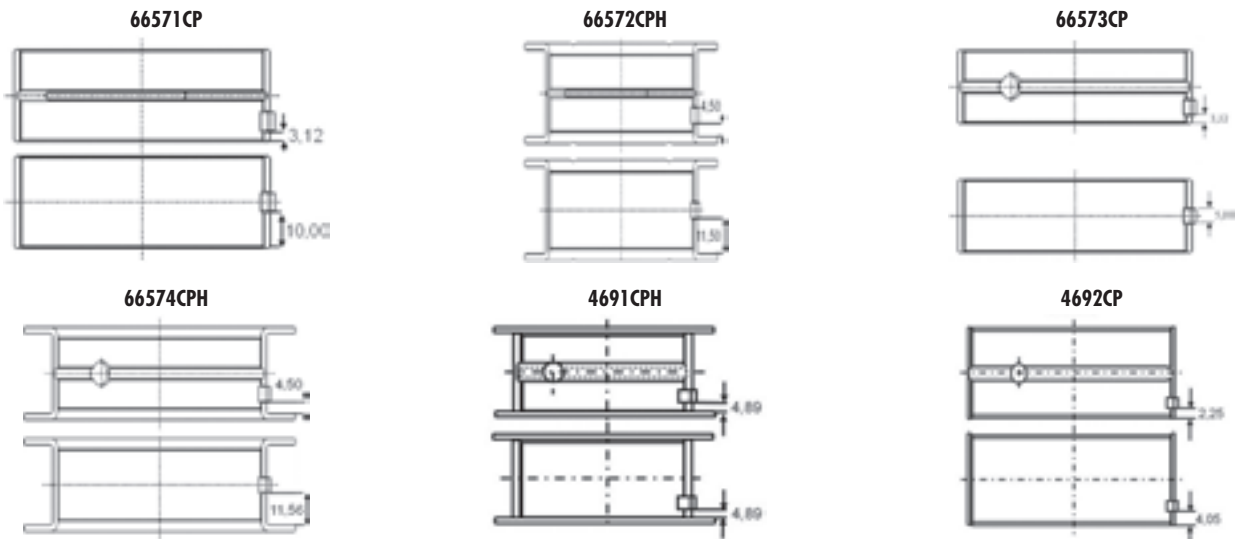
739

MASTER

08/89 → 07/98

										
BE/PL	4	56.520/56.535	60.333/60.345	24.700	1.870	0.020/0.072	BS	1870CP	71-4130/4 STD 0.25 0.50 0.75	
MB/HL 1-4	4	76.187/76.200	80.586/80.607	24.990	2.172	0.042/0.100	BS	66571CP	H1049/5 STD 0.25 0.50 0.75	
MB/HL 5	1	76.187/76.200	80.586/80.607	31.950	2.172	0.042/0.100	BS	66572CPH		
→12/92										
MB/HL 1-4	4	76.187/76.200	80.586/80.607	24.990	2.172	0.038/0.097	BS	66573CP	H1094/5 STD 0.25	
MB/HL 5	1	76.187/76.200	80.586/80.607	31.950	2.172	0.038/0.097	BS	66574CPH		
01/93 → 08/95										
MB/HL 5	1	86.182/86.208	90.588/90.614	30.950	2.164	0.052/0.129	BS	4691CPH	H1104/5 STD 0.25 0.50	
MB/HL 1-4	4	80.182/80.208	84.588/84.614	23.800	2.164	0.052/0.129	BS	4692CP		

09/95 →



SE/PB	1	31.990/31.996	34.895/34.920	30.700			BS	66579YA	55-4186 SEMI
-------	---	---------------	---------------	--------	--	--	----	---------	------------------------

Mot.344183 →



JJ519



JJ519

1466

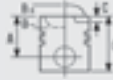






 **93.00**

Diesel



8140.67.2580 Euro 2 4 Cyl. 18.5:1 2500cc **55kW (75)PS** **TD3433** **738**

TRAFIC 05/89→03/01


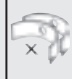

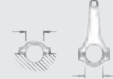






					
87-425000-10 STD 87-425008-10 0.60mm A 54.00 B- 2.20 D 89.00  32x68 HA RT	08-425000-00 STD 08-425008-00 0.60mm 3.00 2.00 3.00	14-021371-00 D B 96.01 C 171.00 D 98.92 E 5.00 14-021372-00 D B 96.05 C 171.00 D 98.92 E 5.00 14-021373-00 D B 96.17 C 171.00 D 98.92 E 5.00 14-021480-00 DH [35] B 97.04 C 171.00 D 100.00 E 5.00			

[35] Nitrided

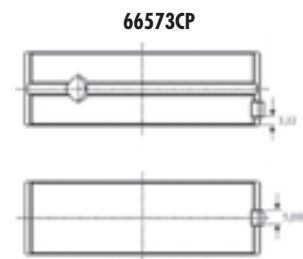
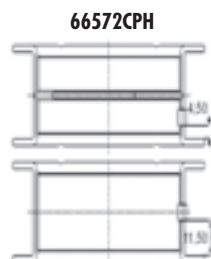
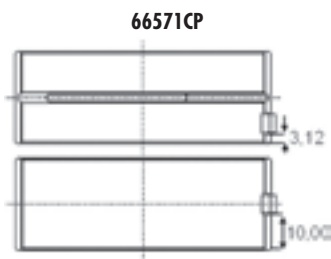
[35] Nitridé

[35] Niturato

[35] Niturado

									
BE/PL	4	56.520/56.535	60.333/60.345	24.700	1.870	0.020/0.072	BS	1870CP	71-4130/4 STD 0.25 0.50 0.75
MB/HL 1-4	4	76.187/76.200	80.586/80.607	24.990	2.172	0.042/0.100	BS	66571CP	H1049/5 STD 0.25 0.50 0.75
MB/HL 5	1	76.187/76.200	80.586/80.607	31.950	2.172	0.042/0.100	BS	66572CPH	
→12/92									
MB/HL 1-4	4	76.187/76.200	80.586/80.607	24.990	2.172	0.038/0.097	BS	66573CP	H1094/5 STD 0.25
MB/HL 5	1	76.187/76.200	80.586/80.607	31.950	2.172	0.038/0.097	BS	66574CPH	
01/93→08/95									
MB/HL 5	1	86.182/86.208	90.588/90.614	30.950	2.164	0.052/0.129	BS	4691CPH	H1104/5 STD 0.25 0.50
MB/HL 1-4	4	80.182/80.208	84.588/84.614	23.800	2.164	0.052/0.129	BS	4692CP	

09/95→



RENAULT/DACIA

...Continued

1466

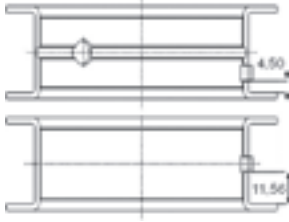


93.00

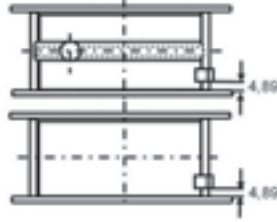
Diesel



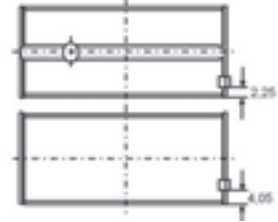
66574CPH



4691CPH

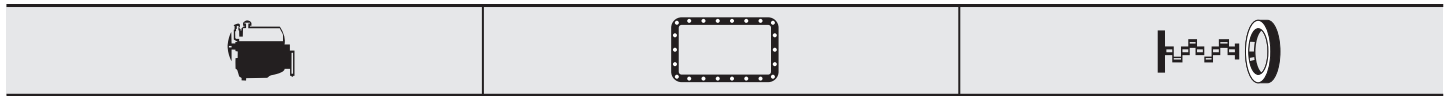


4692CP



SE/PB	1	31.990/31.996	34.895/34.920	30.700		BS	66579YA	55-4186 SEMI
-------	---	---------------	---------------	--------	--	----	---------	------------------------

Mot.344183 →



JJ519



JJ519

NP067 50.00x70.00x10.00mm, FPM
NF883 114.00x177.00x13.00mm, FPM
NF885 70.00x179.00x16.00mm, FPM

1467



93.00

Diesel



8140.67.2585 Euro 2 4 Cyl. 18.5:1 2500cc 55-63kW (75-86)PS TD12193 740



87-425000-10
87-425008-10

STD
 0.60mm



A 54.00
B- 2.20
D 89.00
 32x68

HA RT

[35] Nitrided

[35] Nitridé

[35] Nitruato

[35] Niturado

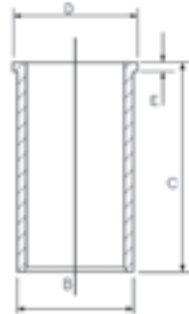
08-425000-00
08-425008-00

STD
 0.60mm

3.00 CR P
 2.00 P
 3.00 CR P



14-021371-00 D
B 96.01 **C** 171.00 **D** 98.92 **E** 5.00
14-021372-00 D
B 96.05 **C** 171.00 **D** 98.92 **E** 5.00
14-021373-00 D
B 96.17 **C** 171.00 **D** 98.92 **E** 5.00
14-021480-00 DH [35]
B 97.04 **C** 171.00 **D** 100.00 **E** 5.00



...Continued

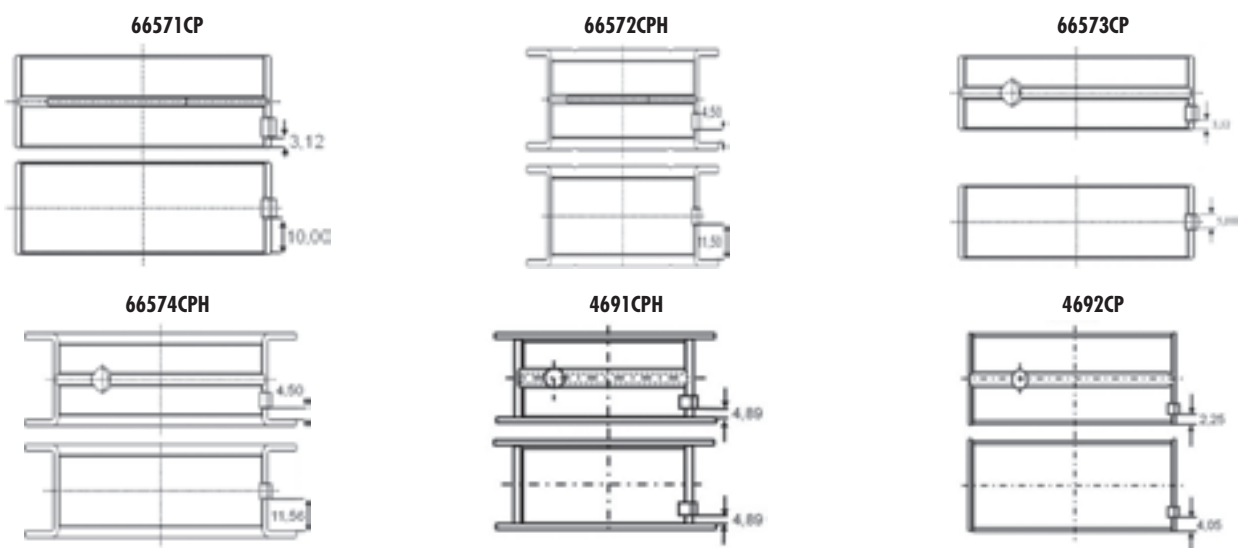
1467



93.00

Diesel

BE/PL	4	56.520/56.535	60.333/60.345	24.700	1.870	0.020/0.072	BS	1870CP	71-4130/4 STD 0.25 0.50 0.75
MB/HL 1-4	4	76.187/76.200	80.586/80.607	24.990	2.172	0.042/0.100	BS	66571CP	H1049/5 STD 0.25 0.50 0.75
MB/HL 5	1	76.187/76.200	80.586/80.607	31.950	2.172	0.042/0.100	BS	66572CPH	
→12/92									
MB/HL 1-4	4	76.187/76.200	80.586/80.607	24.990	2.172	0.038/0.097	BS	66573CP	H1094/5 STD 0.25
MB/HL 5	1	76.187/76.200	80.586/80.607	31.950	2.172	0.038/0.097	BS	66574CPH	
01/93→08/95									
MB/HL 5	1	86.182/86.208	90.588/90.614	30.950	2.164	0.052/0.129	BS	4691CPH	H1104/5 STD 0.25 0.50
MB/HL 1-4	4	80.182/80.208	84.588/84.614	23.800	2.164	0.052/0.129	BS	4692CP	
09/95→									



SE/PB	1	31.990/31.996	34.895/34.920	30.700			BS	66579YA	55-4186 SEMI
-------	---	---------------	---------------	--------	--	--	----	---------	------------------------

Mot.344183→

		NF883 114.00x177.00x13.00mm, FPM NF885 70.00x179.00x16.00mm, FPM

1468



93.00

Diesel



8140-07 Sofim

4 Cyl.

18:1

2500cc

55kW (75)PS

TD8524

741

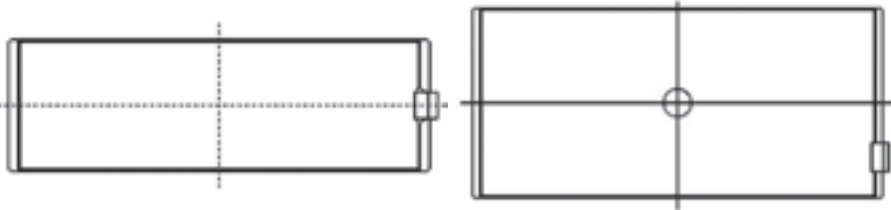
<p>87-425000-00 STD 87-425008-00 0.60mm</p> <p>A 58.75 B- 16.90 BØ 40.00 D 96.75 32x75</p> <p>RT</p>	<p>08-425000-00 STD 08-425008-00 0.60mm</p> <p>3.00 CR P 2.00 P 3.00 CR P</p>	<p>14-021371-00 D B 96.01 C 171.00 D 98.92 E 5.00 14-021372-00 D B 96.05 C 171.00 D 98.92 E 5.00 14-021373-00 D B 96.17 C 171.00 D 98.92 E 5.00 14-021480-00 DH [35] B 97.04 C 171.00 D 100.00 E 5.00</p>	

[35] Nitrided [35] Nitridé [35] Niturato [35] Niturado

BE/PL	4	56.520/56.535	60.333/60.345	24.700	1.870	0.020/0.072	BS	1870CP	71-4130/4 STD 0.25 0.50 0.75	
10/82 →										
BE/PL	4	56.520/56.535	60.333/60.345	24.700	1.870	0.020/0.070	BS	66575CP	71-4185/4 STD 0.25 0.50 0.75	
→09/82										




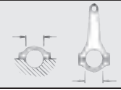






1870CP

66575CP

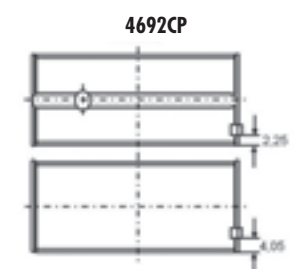
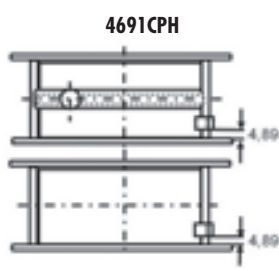
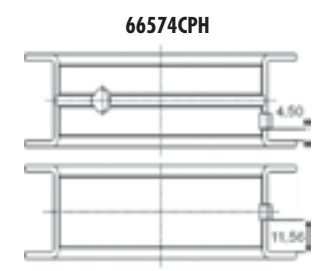
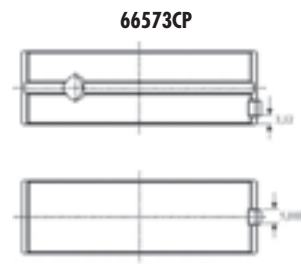
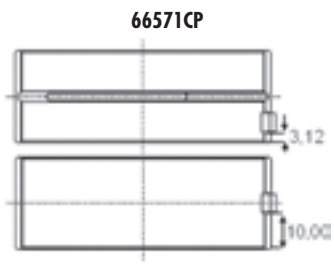


...Continued

1468  **93.00** **Diesel**






									
MB/HL 1-4	4	76.187/76.200	80.586/80.607	24.990	2.172	0.042/0.100	BS	66571CP	H1049/5 STD 0.25 0.50 0.75
MB/HL 5	1	76.187/76.200	80.586/80.607	31.950	2.172	0.042/0.100	BS	66572CPH	
→12/92									
MB/HL 1-4	4	76.187/76.200	80.586/80.607	24.990	2.172	0.038/0.097	BS	66573CP	H1094/5 STD 0.25
MB/HL 5	1	76.187/76.200	80.586/80.607	31.950	2.172	0.038/0.097	BS	66574CPH	
01/93→08/95									
MB/HL 5	1	86.182/86.208	90.588/90.614	30.950	2.164	0.052/0.129	BS	4691CPH	H1104/5 STD 0.25 0.50
MB/HL 1-4	4	80.182/80.208	84.588/84.614	23.800	2.164	0.052/0.129	BS	4692CP	

09/95→



SE/PB	1	31.990/31.996	34.895/34.920	30.700			BS	66579YA	55-4186 SEMI
-------	---	---------------	---------------	--------	--	--	----	---------	------------------------

Mot.344183→

		
	JJ519	NP067  50.00x70.00x10.00mm, FPM
		
	JJ519	

1469



93.00

Diesel



8140-27 IDS

4 Cyl.

18.5:1

2500cc

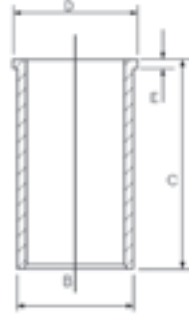
78kW (106)PS

TD8530

741



14-021371-00 D
B 96.01 C 171.00 D 98.92 E 5.00
14-021372-00 D
B 96.05 C 171.00 D 98.92 E 5.00
14-021373-00 D
B 96.17 C 171.00 D 98.92 E 5.00
14-021480-00 DH [35]
B 97.04 C 171.00 D 100.00 E 5.00



[35] Nitrided

[35] Nitridé

[35] Niturato

[35] Niturado



BE/PL	4	56.520/56.535	60.333/60.345	24.700	1.870	0.020/0.072	BS	1870CP	71-4130/4 STD 0.25 0.50 0.75
-------	---	---------------	---------------	--------	-------	-------------	----	--------	--

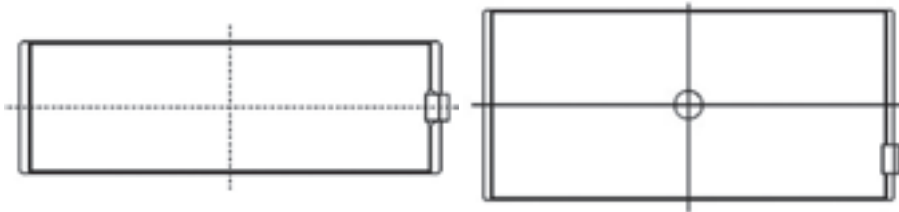
10/82 →

BE/PL	4	56.520/56.535	60.333/60.345	24.700	1.870	0.020/0.070	BS	66575CP	71-4185/4 STD 0.25 0.50 0.75
-------	---	---------------	---------------	--------	-------	-------------	----	---------	--

→09/82



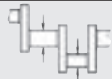







1870CP

66575CP

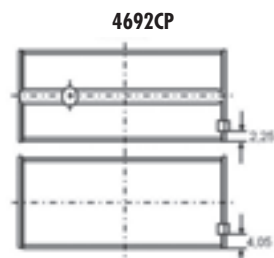
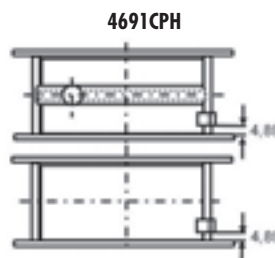
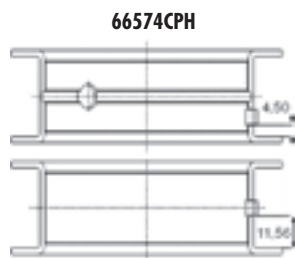
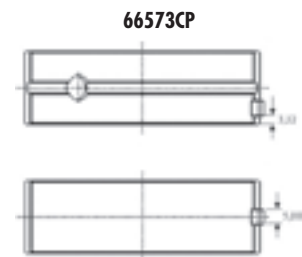
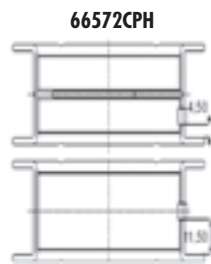
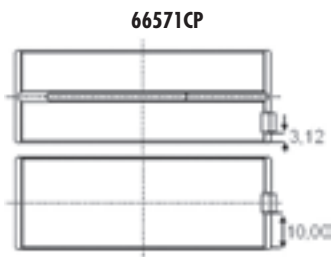


...Continued

1469  **93.00 Diesel**






									
MB/HL 1-4	4	76.187/76.200	80.586/80.607	24.990	2.172	0.042/0.100	BS	66571CP	H1049/5 STD 0.25 0.50 0.75
MB/HL 5	1	76.187/76.200	80.586/80.607	31.950	2.172	0.042/0.100	BS	66572CPH	
→12/92									
MB/HL 1-4	4	76.187/76.200	80.586/80.607	24.990	2.172	0.038/0.097	BS	66573CP	H1094/5 STD 0.25
MB/HL 5	1	76.187/76.200	80.586/80.607	31.950	2.172	0.038/0.097	BS	66574CPH	
01/93→08/95									
MB/HL 5	1	86.182/86.208	90.588/90.614	30.950	2.164	0.052/0.129	BS	4691CPH	H1104/5 STD 0.25 0.50
MB/HL 1-4	4	80.182/80.208	84.588/84.614	23.800	2.164	0.052/0.129	BS	4692CP	

09/95→



SE/PB	1	31.990/31.996	34.895/34.920	30.700			BS	66579YA	55-4186 SEMI
-------	---	---------------	---------------	--------	--	--	----	---------	------------------------

Mot.344183→

		
	JJ519	NP067  50.00x70.00x10.00mm, FPM
		
	JJ519	

1470

93.00

Diesel



8140-27 Sofim

4 Cyl.

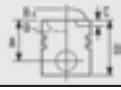
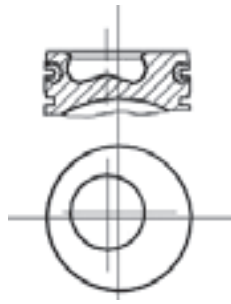

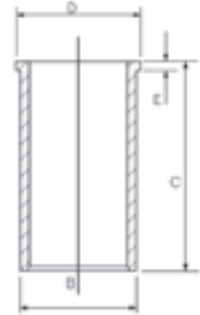

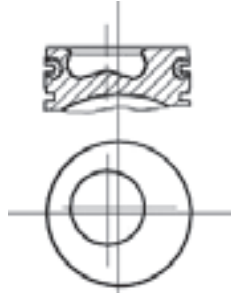
18.5:1

2500cc

78kW (106)PS

TD8529

735











 <p>87-245200-40 87-245208-40</p> <p>STD 0.60mm</p> <p>A 58.75 B- 17.90 BØ 38.00 D 96.75 32x75</p> <p>RT</p>	 <p>08-245200-00 08-245208-00</p> <p>STD 0.60mm</p> <p>3.00 CR P 2.00 P 3.00 CR P</p>	 <p>14-021371-00 D B 96.01 C 171.00 D 98.92 E 5.00 14-021372-00 D B 96.05 C 171.00 D 98.92 E 5.00 14-021373-00 D B 96.17 C 171.00 D 98.92 E 5.00 14-021480-00 DH [35] B 97.04 C 171.00 D 100.00 E 5.00</p> 	
<p>87-245200-50 87-245208-50</p> <p>STD 0.60mm</p> <p>A 58.75 B- 17.90 BØ 38.00 D 96.75 32x78</p> <p>AK NB RT</p>	 <p>08-245200-00 08-245208-00</p> <p>STD 0.60mm</p> <p>3.00 CR P 2.00 P 3.00 CR P</p>		

[35] Nitrided

[35] Nitridé

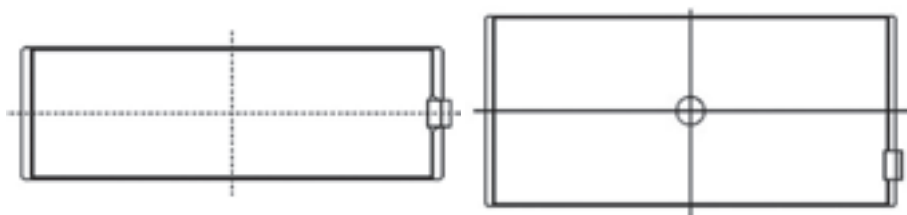
[35] Niturato

[35] Niturado

									
BE/PL	4	56.520/56.535	60.333/60.345	24.700	1.870	0.020/0.072	BS	1870CP	71-4130/4 STD 0.25 0.50 0.75
10/82 →									
BE/PL	4	56.520/56.535	60.333/60.345	24.700	1.870	0.020/0.070	BS	66575CP	71-4185/4 STD 0.25 0.50 0.75
→09/82									



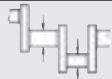







1870CP

66575CP

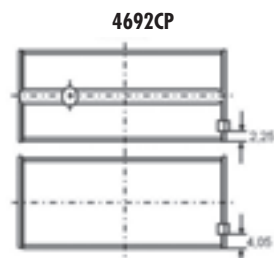
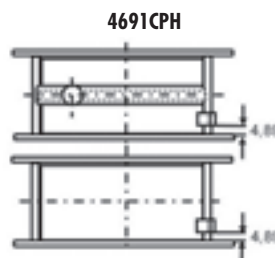
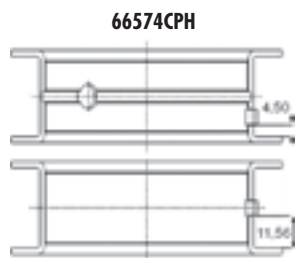
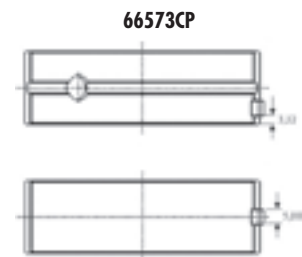
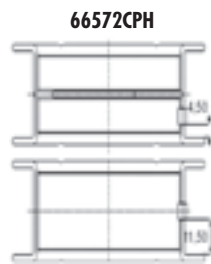
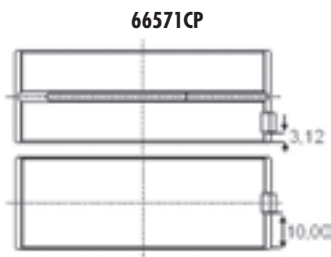


...Continued

1470  **93.00** **Diesel**






									
MB/HL 1-4	4	76.187/76.200	80.586/80.607	24.990	2.172	0.042/0.100	BS	66571CP	H1049/5 STD 0.25 0.50 0.75
MB/HL 5	1	76.187/76.200	80.586/80.607	31.950	2.172	0.042/0.100	BS	66572CPH	
→12/92									
MB/HL 1-4	4	76.187/76.200	80.586/80.607	24.990	2.172	0.038/0.097	BS	66573CP	H1094/5 STD 0.25
MB/HL 5	1	76.187/76.200	80.586/80.607	31.950	2.172	0.038/0.097	BS	66574CPH	
01/93→08/95									
MB/HL 5	1	86.182/86.208	90.588/90.614	30.950	2.164	0.052/0.129	BS	4691CPH	H1104/5 STD 0.25 0.50
MB/HL 1-4	4	80.182/80.208	84.588/84.614	23.800	2.164	0.052/0.129	BS	4692CP	

09/95→



SE/PB	1	31.990/31.996	34.895/34.920	30.700			BS	66579YA	55-4186 SEMI
-------	---	---------------	---------------	--------	--	--	----	---------	------------------------

Mot.344183→

		
	JJ519	NP067  50.00x70.00x10.00mm, FPM
		
	JJ519	

1471



93.00

Diesel



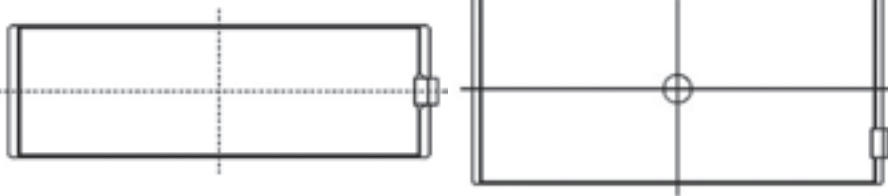
8140-47 4 Cyl. 18.5:1 2500cc 85kW (116)PS TD8533 726

<p>87-520200-00 STD</p> <p>A 58.75 B- 18.40 BØ 38.00 D 96.75 32x78</p> <p>AK KK NB RT</p>		<p>08-520200-00 STD</p> <p>3.00 CR 2.00 P 3.00 CR P</p>	<p>14-021371-00 D B 96.01 C 171.00 D 98.92 E 5.00</p> <p>14-021372-00 D B 96.05 C 171.00 D 98.92 E 5.00</p> <p>14-021373-00 D B 96.17 C 171.00 D 98.92 E 5.00</p> <p>14-021480-00 DH [35] B 97.04 C 171.00 D 100.00 E 5.00</p>
[35] Nitrided	[35] Nitridé	[35] Niturato	[35] Niturado

									71-4130/4 STD 0.25 0.50 0.75
10/82 →									
BE/PL	4	56.520/56.535	60.333/60.345	24.700	1.870	0.020/0.070	BS	66575CP	71-4185/4 STD 0.25 0.50 0.75
→09/82									



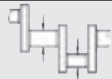







1870CP

66575CP

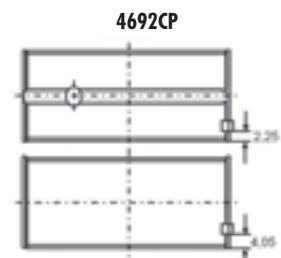
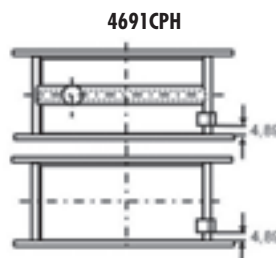
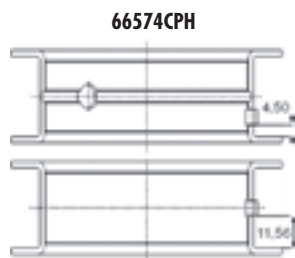
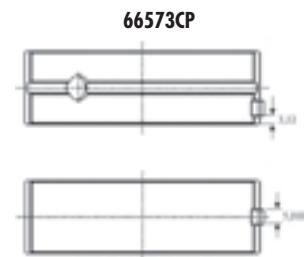
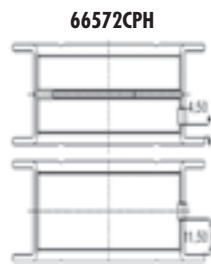
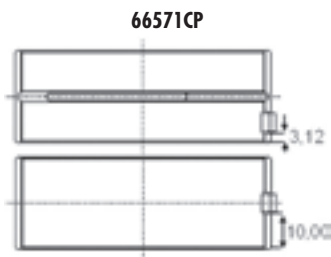


...Continued

1471  **93.00** **Diesel**

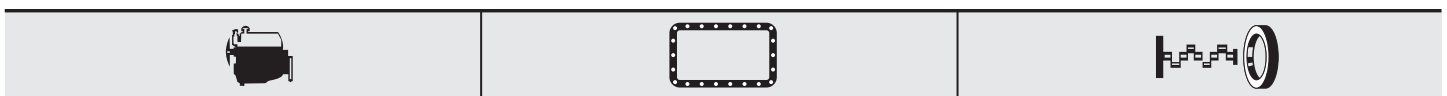
									
MB/HL 1-4	4	76.187/76.200	80.586/80.607	24.990	2.172	0.042/0.100	BS	66571CP	H1049/5 STD 0.25 0.50 0.75
MB/HL 5	1	76.187/76.200	80.586/80.607	31.950	2.172	0.042/0.100	BS	66572CPH	
→12/92									
MB/HL 1-4	4	76.187/76.200	80.586/80.607	24.990	2.172	0.038/0.097	BS	66573CP	H1094/5 STD 0.25
MB/HL 5	1	76.187/76.200	80.586/80.607	31.950	2.172	0.038/0.097	BS	66574CPH	
01/93→08/95									
MB/HL 5	1	86.182/86.208	90.588/90.614	30.950	2.164	0.052/0.129	BS	4691CPH	H1104/5 STD 0.25 0.50
MB/HL 1-4	4	80.182/80.208	84.588/84.614	23.800	2.164	0.052/0.129	BS	4692CP	

09/95→



SE/PB	1	31.990/31.996	34.895/34.920	30.700			BS	66579YA	55-4186 SEMI
-------	---	---------------	---------------	--------	--	--	----	---------	------------------------

Mot.344183→



JJ519

NP067  50.00x70.00x10.00mm, FPM



JJ519

1472



93.00

Diesel



S8U 742 4 Cyl. 22:1 2500cc 55kW (75)PS TD5442 742

MASTER 07/80 → 07/98

<p>87-783300-00 STD 87-783308-00 0.60mm</p> <p>A 54.00 B- 2.20 D 89.00 32x75</p> <p>HA RT</p>	<p>08-783300-00 STD 08-783308-00 0.60mm</p> <p>3.00 CR P 2.00 P 3.00 CR P</p>	<p>14-021280-00 DH [35] B 97.03 C 167.00 D 100.00 E 5.00 14-022560-00 D B 96.00 C 167.30 D 98.90 E 5.00 14-028930-00 D B 97.50 C 167.00 D 100.90 E 5.00 14-028931-00 D B 97.58 C 167.00 D 100.90 E 5.00 14-028932-00 D B 97.70 C 167.00 D 100.90 E 5.00</p>	

[35] Nitrided

[35] Nitridé

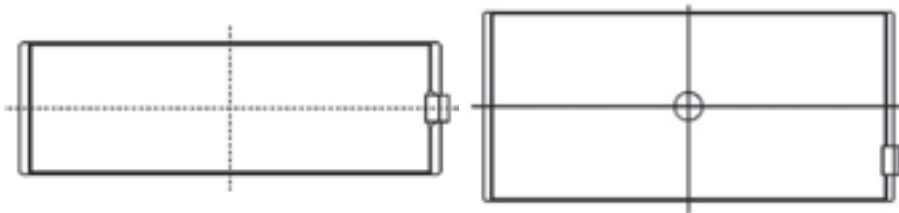
[35] Niturato

[35] Niturado

BE/PL	4	56.520/56.535	60.333/60.345	24.700	1.870	0.020/0.072	BS	1870CP	71-4130/4 STD 0.25 0.50 0.75
10/82 →									
BE/PL	4	56.520/56.535	60.333/60.345	24.700	1.870	0.020/0.070	BS	66575CP	71-4185/4 STD 0.25 0.50 0.75
→09/82									




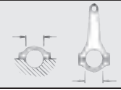






1870CP

66575CP

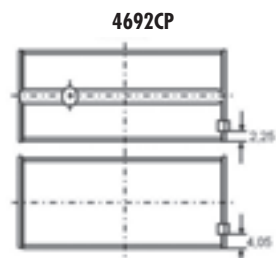
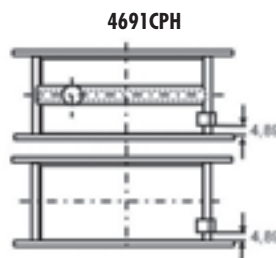
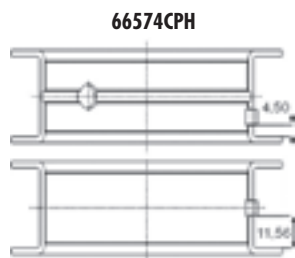
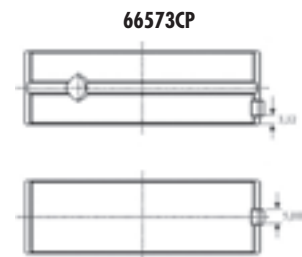
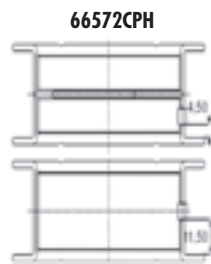
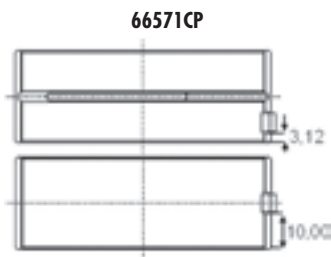


...Continued

1472  **93.00** **Diesel**






									
MB/HL 1-4	4	76.187/76.200	80.586/80.607	24.990	2.172	0.042/0.100	BS	66571CP	H1049/5 STD 0.25 0.50 0.75
MB/HL 5	1	76.187/76.200	80.586/80.607	31.950	2.172	0.042/0.100	BS	66572CPH	
→12/92									
MB/HL 1-4	4	76.187/76.200	80.586/80.607	24.990	2.172	0.038/0.097	BS	66573CP	H1094/5 STD 0.25
MB/HL 5	1	76.187/76.200	80.586/80.607	31.950	2.172	0.038/0.097	BS	66574CPH	
01/93→08/95									
MB/HL 5	1	86.182/86.208	90.588/90.614	30.950	2.164	0.052/0.129	BS	4691CPH	H1104/5 STD 0.25 0.50
MB/HL 1-4	4	80.182/80.208	84.588/84.614	23.800	2.164	0.052/0.129	BS	4692CP	

09/95→



SE/PB	1	31.990/31.996	34.895/34.920	30.700			BS	66579YA	55-4186 SEMI
-------	---	---------------	---------------	--------	--	--	----	---------	------------------------

Mot.344183→

		
JJ519	JJ519	NF833  FPM
		
JJ519		

1473



93.00

Diesel



S8U 758 4 Cyl. 22:1 2500cc 55kW (75)PS TD9689 744

TRAFIC 05/89→03/01

<p>87-783300-00 STD 87-783308-00 0.60mm</p> <p>A 54.00 B- 2.20 D 89.00 32x75</p> <p>HA RT</p>	<p>08-783300-00 STD 08-783308-00 0.60mm</p> <p>3.00 CR P 2.00 P 3.00 CR P</p> <p>08-147300-10 STD →05/81</p> <p>2.00 MOL P 2.00 P 4.00 CR P</p>	<p>14-021280-00 DH [35] B 97.03 C 167.00 D 100.00 E 5.00 14-022560-00 D B 96.00 C 167.30 D 98.90 E 5.00 14-028930-00 D B 97.50 C 167.00 D 100.90 E 5.00 14-028931-00 D B 97.58 C 167.00 D 100.90 E 5.00 14-028932-00 D B 97.70 C 167.00 D 100.90 E 5.00</p>	
	<p>08-214400-10 STD →05/81</p> <p>2.00 CR P 2.00 P 4.00 CR P</p>		
	<p>08-214500-10 STD 08-214508-10 0.60mm 06/81→</p> <p>3.00 CR P 2.00 P 4.00 CR P</p>		

[35] Nitrided



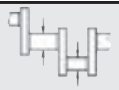
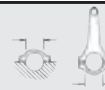






[35] Nitridé

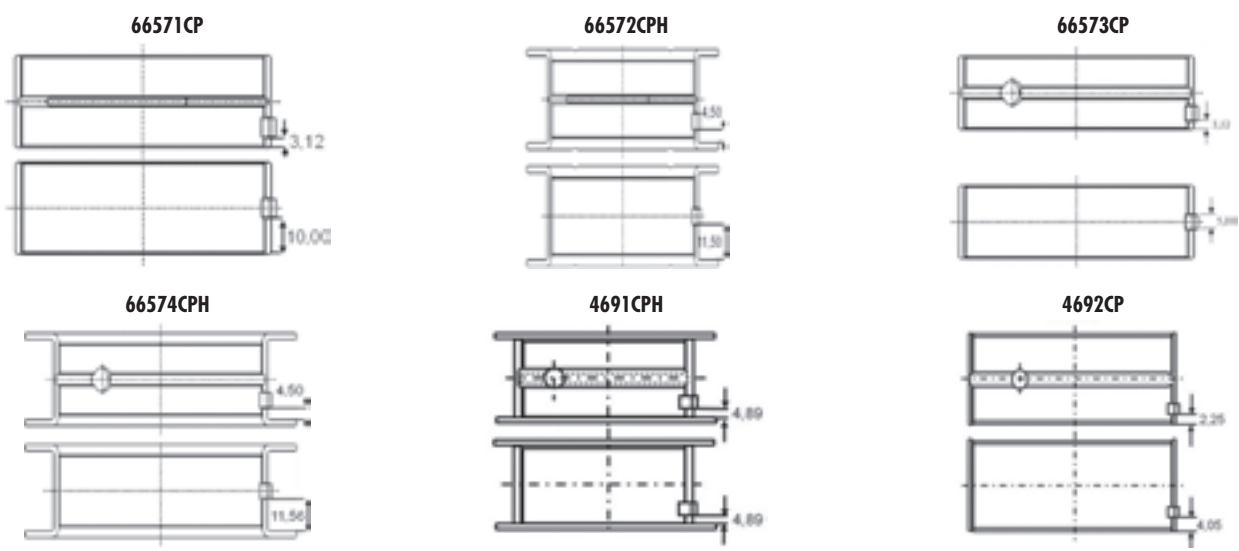
[35] Niturato

[35] Niturado

...Continued








1473  **93.00** **Diesel**

									
BE/PL	4	56.520/56.535	60.333/60.345	24.700	1.870	0.020/0.072	BS	1870CP	71-4130/4 STD 0.25 0.50 0.75
MB/HL 1-4	4	76.187/76.200	80.586/80.607	24.990	2.172	0.042/0.100	BS	66571CP	H1049/5 STD 0.25 0.50 0.75
MB/HL 5	1	76.187/76.200	80.586/80.607	31.950	2.172	0.042/0.100	BS	66572CPH	
→12/92									
MB/HL 1-4	4	76.187/76.200	80.586/80.607	24.990	2.172	0.038/0.097	BS	66573CP	H1094/5 STD 0.25
MB/HL 5	1	76.187/76.200	80.586/80.607	31.950	2.172	0.038/0.097	BS	66574CPH	
01/93→08/95									
MB/HL 5	1	86.182/86.208	90.588/90.614	30.950	2.164	0.052/0.129	BS	4691CPH	H1104/5 STD 0.25 0.50
MB/HL 1-4	4	80.182/80.208	84.588/84.614	23.800	2.164	0.052/0.129	BS	4692CP	
09/95→									



SE/PB	1	31.990/31.996	34.895/34.920	30.700			BS	66579YA	55-4186 SEMI
-------	---	---------------	---------------	--------	--	--	----	---------	------------------------

Mot.344183→

		
	JJ519	NP067  50.00x70.00x10.00mm, FPM NF883  114.00x177.00x13.00mm, FPM NF885  70.00x179.00x16.00mm, FPM
		
	JJ519	

1474

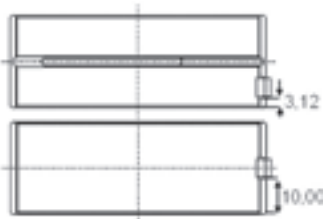

93.00
Diesel

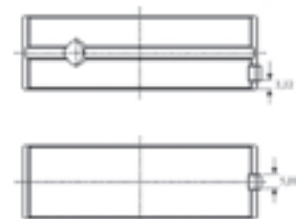
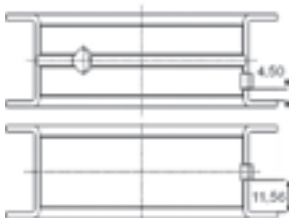
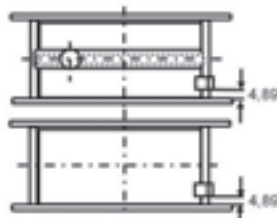
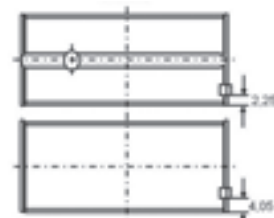

S8U 762	4 Cyl.	22:1	2500cc	85kW (115)PS	TD3415	745
S8U 763	4 Cyl.	21:1	2500cc	83kW (113)PS	TD3416	746

SAFRANE 12/92→07/96

Part	Qty	Part 1	Part 2	Part 3	Part 4	Part 5	Part 6	Part 7	Part 8	Part 9
BE/PL	4	56.520/56.535	60.333/60.345	24.700	1.870	0.020/0.072	BS	1870CP	71-4130/4 STD 0.25 0.50 0.75 H1049/5 STD 0.25 0.50 0.75	
MB/HL 1-4	4	76.187/76.200	80.586/80.607	24.990	2.172	0.042/0.100	BS	66571CP		
MB/HL 5	1	76.187/76.200	80.586/80.607	31.950	2.172	0.042/0.100	BS	66572CPH		
→12/92										
MB/HL 1-4	4	76.187/76.200	80.586/80.607	24.990	2.172	0.038/0.097	BS	66573CP	H1094/5 STD 0.25	
MB/HL 5	1	76.187/76.200	80.586/80.607	31.950	2.172	0.038/0.097	BS	66574CPH		
01/93→08/95										
MB/HL 5	1	86.182/86.208	90.588/90.614	30.950	2.164	0.052/0.129	BS	4691CPH	H1104/5 STD 0.25 0.50	
MB/HL 1-4	4	80.182/80.208	84.588/84.614	23.800	2.164	0.052/0.129	BS	4692CP		

09/95→

66571CP

66572CPH

66573CP

66574CPH

4691CPH

4692CP


SE/PB

1

31.990/31.996

34.895/34.920

30.700

BS

66579YA

55-4186
SEMI

Mot.344183→


JJ549
NP067 50.00x70.00x10.00mm, FPM

JJ549

1475	93.00	Diesel	
S8U 770	4 Cyl.	22:1	2500cc
			59kW (80)PS
			TD13409 747
MASTER	07/98→01/01		

BE/PL	4	56.520/56.535	60.333/60.345	24.700	1.870	0.020/0.072	BS	1870CP	71-4130/4 STD 0.25 0.50 0.75
MB/HL 5	1	86.182/86.208	90.588/90.614	30.950	2.164	0.052/0.129	BS	4691CPH	H1104/5 STD 0.25 0.50
MB/HL 1-4	4	80.182/80.208	84.588/84.614	23.800	2.164	0.052/0.129	BS	4692CP	
SE/PB	1	31.990/31.996	34.895/34.920	30.700			BS	66579YA	55-4186 SEMI

Mot.344183→

	JJ519	NF883 114.00x177.00x13.00mm, FPM NF885 70.00x179.00x16.00mm, FPM
	JJ519	

1476	93.00	Diesel	
S8U 780	4 Cyl.	22:1	2500cc
			55kW (75)PS
			TD16328 749
TRAFIC	05/98→03/01		

87-783300-00 87-783308-00	STD 0.60mm		08-783300-00 STD 08-783308-00 0.60mm
A 54.00 B- 2.20 D 89.00 32x75 HA RT		3.00 CR P 2.00 P 3.00 CR P	14-021280-00 DH [35] B 97.03 C 167.00 D 100.00 E 5.00 14-022560-00 D B 96.00 C 167.30 D 98.90 E 5.00 14-028930-00 D B 97.50 C 167.00 D 100.90 E 5.00 14-028931-00 D B 97.58 C 167.00 D 100.90 E 5.00 14-028932-00 D B 97.70 C 167.00 D 100.90 E 5.00

[35] Nitrided

[35] Nitridé

[35] Nitruato

[35] Nitruado

1476



93.00

Diesel

BE/PL	4	56.520/56.535	60.333/60.345	24.700	1.870	0.020/0.072	BS	1870CP	71-4130/4 STD 0.25 0.50 0.75
MB/HL 5	1	86.182/86.208	90.588/90.614	30.950	2.164	0.052/0.129	BS	4691CPH	H1104/5 STD 0.25 0.50
MB/HL 1-4	4	80.182/80.208	84.588/84.614	23.800	2.164	0.052/0.129	BS	4692CP	
SE/PB	1	31.990/31.996	34.895/34.920	30.700			BS	66579YA	55-4186 SEMI

Mot.344183→

	JJ519	NP067 50.00x70.00x10.00mm, FPM NF883 114.00x177.00x13.00mm, FPM NF885 70.00x179.00x16.00mm, FPM
	JJ519	

1477



93.00

Diesel



S8U 782 4 Cyl. 22:1 2500cc 55kW (75)PS TD16329 **750**

87-783300-00 STD 87-783308-00 0.60mm A 54.00 B- 2.20 D 89.00 32x75 HA RT	 08-783300-00 STD 08-783308-00 0.60mm 3.00 CR P 2.00 P 3.00 CR P	14-021280-00 DH [35] B 97.03 C 167.00 D 100.00 E 5.00 14-022560-00 D B 96.00 C 167.30 D 98.90 E 5.00 14-028930-00 D B 97.50 C 167.00 D 100.90 E 5.00 14-028931-00 D B 97.58 C 167.00 D 100.90 E 5.00 14-028932-00 D B 97.70 C 167.00 D 100.90 E 5.00 	

[35] Nitrided


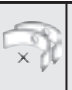

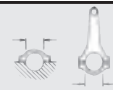







[35] Nitridé

[35] Niturato






[35] Niturado

...Continued

1477  **93.00 Diesel**


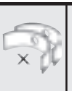

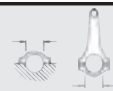







										
BE/PL	4	56.520/56.535	60.333/60.345	24.700	1.870	0.020/0.072	BS	1870CP	71-4130/4 STD 0.25 0.50 0.75	
MB/HL 5	1	86.182/86.208	90.588/90.614	30.950	2.164	0.052/0.129	BS	4691CPH	H1104/5 STD 0.25 0.50	
MB/HL 1-4	4	80.182/80.208	84.588/84.614	23.800	2.164	0.052/0.129	BS	4692CP		
SE/PB	1	31.990/31.996	34.895/34.920	30.700			BS	66579YA	55-4186 SEMI	

Mot.344183→

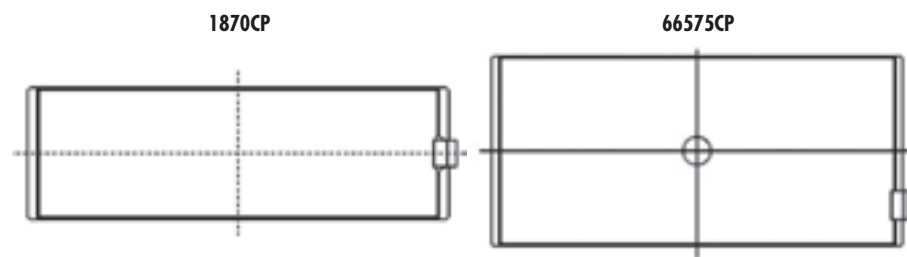
		
	JJ519	NP067  50.00x70.00x10.00mm, FPM
		
	JJ519	

1478  **93.00 Diesel** 

S9U 700 4 Cyl. 2500cc 69kW (93)PS TD12734 751

										
BE/PL	4	56.520/56.535	60.333/60.345	24.700	1.870	0.020/0.072	BS	1870CP	71-4130/4 STD 0.25 0.50 0.75	
10/82 →										
BE/PL	4	56.520/56.535	60.333/60.345	24.700	1.870	0.020/0.070	BS	66575CP	71-4185/4 STD 0.25 0.50 0.75	

→09/82



1478

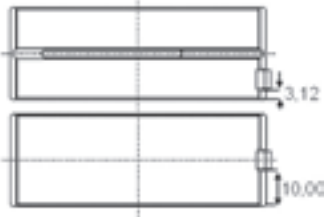


93.00

Diesel

MB/HL 1-4	4	76.187/76.200	80.586/80.607	24.990	2.172	0.042/0.100	BS	66571CP	H1049/5 STD 0.25 0.50 0.75	
MB/HL 5	1	76.187/76.200	80.586/80.607	31.950	2.172	0.042/0.100	BS	66572CPH		
→12/92										
MB/HL 1-4	4	76.187/76.200	80.586/80.607	24.990	2.172	0.038/0.097	BS	66573CP	H1094/5 STD 0.25	
MB/HL 5	1	76.187/76.200	80.586/80.607	31.950	2.172	0.038/0.097	BS	66574CPH		
01/93→08/95										
MB/HL 5	1	86.182/86.208	90.588/90.614	30.950	2.164	0.052/0.129	BS	4691CPH	H1104/5 STD 0.25 0.50	
MB/HL 1-4	4	80.182/80.208	84.588/84.614	23.800	2.164	0.052/0.129	BS	4692CP		
09/95→										

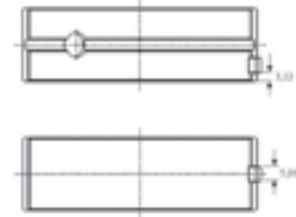
66571CP



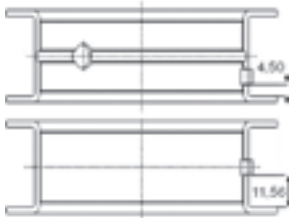
66572CPH



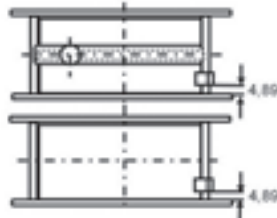
66573CP



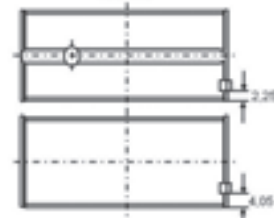
66574CPH



4691CPH



4692CP



SE/PB

1

31.990/31.996

34.895/34.920

30.700

BS

66579YA

55-4186
SEMI

Mot.344183→



JJ519

NP067 50.00x70.00x10.00mm, FPM



JJ519

1479



93.00

Diesel



S9U 714

4 Cyl.

17.5:1

2500cc

69kW (93)PS

TD12732

752

MASTER

08/89→07/98

<p>87-520200-00 STD</p> <p>A 58.75 B- 18.40 BØ 38.00 D 96.75 32x78</p> <p>AK KK NB RT</p>	<p>08-520200-00 STD</p> <p>3.00 CR 2.00 P 3.00 CR P</p>	<p>14-021371-00 D B 96.01 C 171.00 D 98.92 E 5.00</p> <p>14-021372-00 D B 96.05 C 171.00 D 98.92 E 5.00</p> <p>14-021373-00 D B 96.17 C 171.00 D 98.92 E 5.00</p> <p>14-021480-00 DH [35] B 97.04 C 171.00 D 100.00 E 5.00</p> <p style="text-align: center;"></p>	

[35] Nitrided

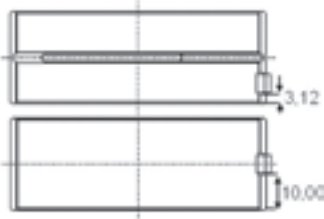
[35] Nitridé

[35] Niturato

[35] Niturado

BE/PL	4	56.520/56.535	60.333/60.345	24.700	1.870	0.020/0.072	BS	1870CP	71-4130/4 STD 0.25 0.50 0.75
MB/HL 1-4	4	76.187/76.200	80.586/80.607	24.990	2.172	0.042/0.100	BS	66571CP	H1049/5 STD 0.25 0.50 0.75
MB/HL 5	1	76.187/76.200	80.586/80.607	31.950	2.172	0.042/0.100	BS	66572CPH	
→12/92									
MB/HL 1-4	4	76.187/76.200	80.586/80.607	24.990	2.172	0.038/0.097	BS	66573CP	H1094/5 STD 0.25
MB/HL 5	1	76.187/76.200	80.586/80.607	31.950	2.172	0.038/0.097	BS	66574CPH	
01/93→08/95									
MB/HL 5	1	86.182/86.208	90.588/90.614	30.950	2.164	0.052/0.129	BS	4691CPH	H1104/5 STD 0.25 0.50
MB/HL 1-4	4	80.182/80.208	84.588/84.614	23.800	2.164	0.052/0.129	BS	4692CP	
09/95→									

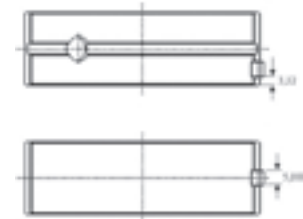
66571CP



66572CPH



66573CP



RENAULT/DACIA

...Continued

1479

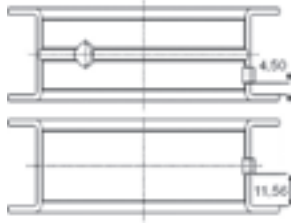


93.00

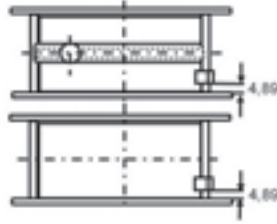
Diesel



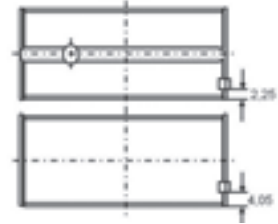
66574CPH



4691CPH

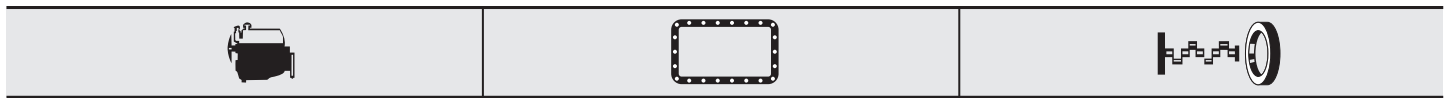


4692CP



SE/PB	1	31.990/31.996	34.895/34.920	30.700			BS	66579YA	55-4186 SEMI
-------	---	---------------	---------------	--------	--	--	----	---------	-----------------

Mot.344183 →



JJ519

NF833 FPM



JJ519

1480



93.00

Diesel



S9U 740	4 Cyl.	2500cc	69kW (93)PS	TD12728	753
---------	--------	--------	-------------	---------	-----

MASTER 08/93 → 02/98



BE/PL	4	56.520/56.535	60.333/60.345	24.700	1.870	0.020/0.072	BS	1870CP	71-4130/4 STD 0.25 0.50 0.75
MB/HL 1-4	4	76.187/76.200	80.586/80.607	24.990	2.172	0.042/0.100	BS	66571CP	H1049/5 STD 0.25 0.50 0.75
MB/HL 5	1	76.187/76.200	80.586/80.607	31.950	2.172	0.042/0.100	BS	66572CPH	

→08/95

MB/HL 5	1	86.182/86.208	90.588/90.614	30.950	2.164	0.052/0.129	BS	4691CPH	H1104/5 STD 0.25 0.50
MB/HL 1-4	4	80.182/80.208	84.588/84.614	23.800	2.164	0.052/0.129	BS	4692CP	

09/95 →

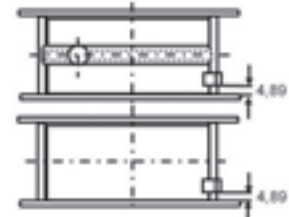
66571CP



66572CPH



4691CPH

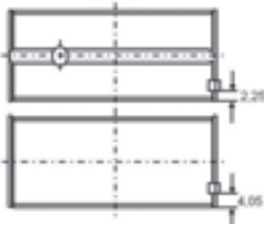


...Continued

1480  **93.00** Diesel

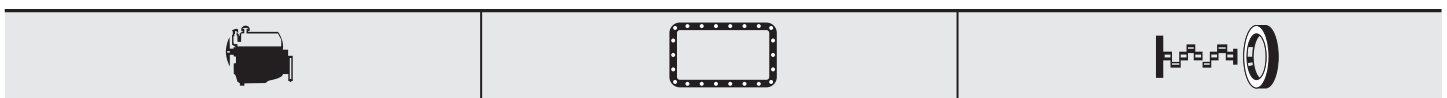


4692CP





SE/PB	1	31.990/31.996	34.895/34.920	30.700			BS	66579YA	55-4186 SEMI
-------	---	---------------	---------------	--------	--	--	----	---------	-----------------

Mot.344183→



JJ519

NF883  114.00x177.00x13.00mm, FPM
NF885  70.00x179.00x16.00mm, FPM



JJ519

1481  **93.00** Petrol 

Z7X 27	V6 Cyl.	9.6:1	2963cc	123kW (167)PS	TD5505
Z7X 753	V6 Cyl.	9.6:1	2963cc	123-125kW (170-170)PS	TD3457
Z7X 755	V6 Cyl.	9.6:1	2963cc	123-125kW (170-170)PS	TD23902
Z7X 767	V6 Cyl.	9.6:1	2963cc	123-125kW (170-170)PS	TD23903

SAFRANE 12/92→12/00

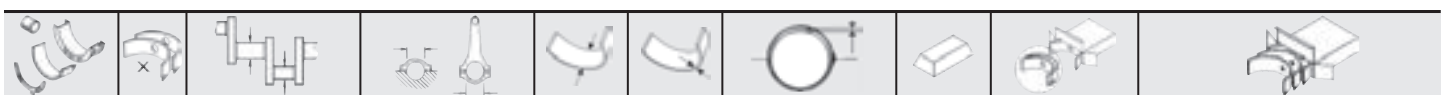


BE/PL	6	59.971/59.990	63.704/63.723	17.720	1.846	0.022/0.085	EC	71-3733	71-3733/6 STD
MB/HL 1-4	4	70.043/70.062	74.000/74.019	23.470	1.967	0.020/0.067	AL-LF	66311RA	H1041/4 STD

1482  **93.00** Petrol 

Z7X 721	V6 Cyl.	9.6:1	2963cc	123kW (167)PS	TD3452
Z7X 722	V6 Cyl.	9.6:1	2963cc	125kW (170)PS	TD3453 754
Z7X 723	V6 Cyl.	9.6:1	2963cc	123kW (167)PS	TD3454
Z7X 760	V6 Cyl.	9.6:1	2963cc	123kW (167)PS	TD3458 754
Z7X 765	V6 Cyl.	9.6:1	2963cc	125kW (170)PS	TD3459 756
Z7X 775	V6 Cyl.	9.6:1	2963cc	123kW (167)PS	TD12228 755





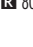
ESPACE 11/96→10/98 LAGUNA 11/93→03/01 SAFRANE 12/92→07/96









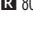
BE/PL	6	59.971/59.990	63.704/63.723	17.720	1.846	0.022/0.085	EC	71-3733	71-3733/6 STD
MB/HL 1-4	4	70.043/70.062	74.000/74.019	23.470	1.967	0.020/0.067	AL-LF	66311RA	H1041/4 STD



RENAULT/DACIA





...Continued



1482	 93.00	Petrol		
			NA5191  42.00x62.00x7.00mm, PTFE NF835  80.00x100.00x8.00mm, FPM/ACM	



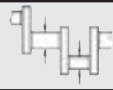
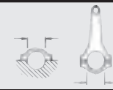






1483	 93.00	Petrol				
Z7X 726	V6 Cyl.	7.6:1	2963cc	193kW (262)PS	TD3455	755
SAFRANE 02/93→07/96						

		
PA349 22.00x16.00x2.000mm		NA5191  42.00x62.00x7.00mm, PTFE NF835  80.00x100.00x8.00mm, FPM/ACM

1484	 93.00	Petrol			
Z7X 744	V6 Cyl.		2963cc	184kW (250)PS	TD3456

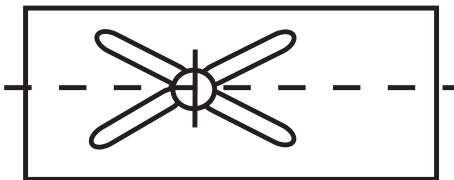
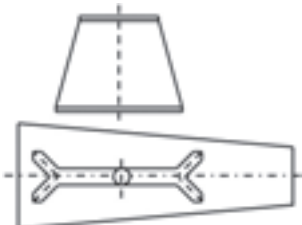
		
		NF835  80.00x100.00x8.00mm, FPM/ACM






1485	 94.40	Diesel				
8140.23.2565 Sofim	4 Cyl.	18:1	2800cc	78kW (106)PS	TD17285	759

									
BE/PL	4	56.520/56.535	60.333/60.345	24.700	1.870	0.020/0.072	BS	1870CP	71-4130/4 STD 0.25 0.50 0.75
MB/HL 5	1	86.182/86.208	90.588/90.614	30.950	2.164	0.052/0.129	BS	4691CPH	H1104/5 STD 0.25 0.50
MB/HL 1-4	4	80.182/80.208	84.588/84.614	23.800	2.164	0.052/0.129	BS	4692CP	
SE/PB	1	31.990/31.996	35.570/35.595	30.400			BS	55-4099	55-4099 SEMI [47]
SE/PB	1	31.990/31.996	34.895/34.920	30.700			BS	66579YA	55-4186 SEMI

55-4099

66579YA



		
		NF883  114.00x177.00x13.00mm, FPM NF885  70.00x179.00x16.00mm, FPM

1486

94.40

Diesel



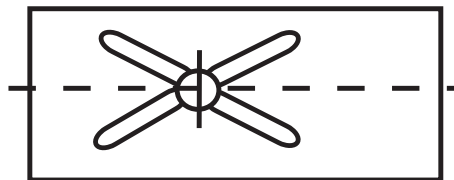
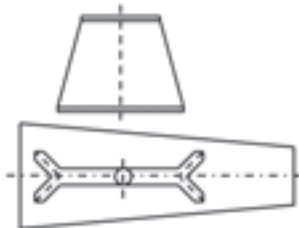
8140.23.2585 Euro 2 Sofim 4 Cyl.	2800cc	78kW (106)PS	TD12194	760
8140.43.2585 Euro 2 Sofim 4 Cyl.	18.5:1 2800cc	90kW (122)PS	TD12198	761

<p>87-122200-10 STD</p> <p>87-122208-10 0.60mm</p> <p>01/98→</p> <p>A 58.75</p> <p>B- 19.40</p> <p>BØ 39.25</p> <p>D 87.60</p> <p> 32x72</p> <p>AK KK RT TP</p>	<p>08-122200-00 STD</p> <p>08-122208-00 0.60mm</p> <p>2572280→</p> <p>2.50 CK P</p> <p>2.00 P</p> <p>2.50 CR P</p>	<p>14-021321-00 D</p> <p>B 97.54 C 167.00 D 100.90 E 5.00</p> <p>14-021322-00 D</p> <p>B 97.70 C 167.00 D 100.90 E 5.00</p> <p>14-028930-00 D</p> <p>B 97.50 C 167.00 D 100.90 E 5.00</p> <p>14-028931-00 D</p> <p>B 97.58 C 167.00 D 100.90 E 5.00</p> <p>14-028932-00 D</p> <p>B 97.70 C 167.00 D 100.90 E 5.00</p>	<p></p> <p></p>
<p>87-854700-00 STD</p> <p>87-854708-00 0.60mm</p> <p>A 58.75</p> <p>B- 19.40</p> <p>BØ 39.40</p> <p>D 96.65</p> <p> 32x78</p> <p>AK KK RT</p>	<p>08-854700-00 STD</p> <p>08-854708-00 0.60mm</p> <p>→2572279</p> <p>3.00 CR</p> <p>2.00 P</p> <p>3.00 CR</p>	<p></p> <p></p>	<p></p> <p></p>

BE/PL	4	56.520/56.535	60.333/60.345	24.700	1.870	0.020/0.072	BS	1870CP	71-4130/4 STD 0.25 0.50 0.75
MB/HL 5	1	86.182/86.208	90.588/90.614	30.950	2.164	0.052/0.129	BS	4691CPH	H1104/5 STD 0.25 0.50
MB/HL 1-4	4	80.182/80.208	84.588/84.614	23.800	2.164	0.052/0.129	BS	4692CP	
SE/PB	1	31.990/31.996	35.570/35.595	30.400			BS	55-4099	55-4099 SEMI
SE/PB	1	31.990/31.996	34.895/34.920	30.700			BS	66579YA	55-4186 SEMI

55-4099

66579YA



--	--	--

JJ519

NF883 114.00x177.00x13.00mm, FPM
NF885 70.00x179.00x16.00mm, FPM



JJ519

1487



94.40

Diesel



8140.43.3700 Euro 2

4 Cyl.

18.5:1

2800cc

85kW (116)PS

TD22394

757

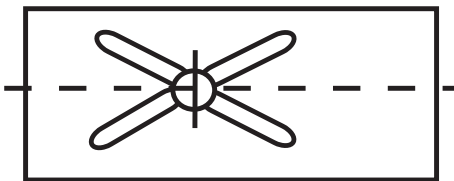
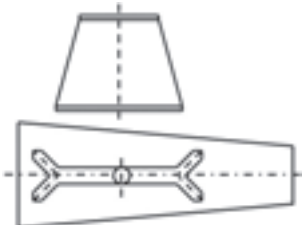
<p>87-122200-10 87-122208-10</p> <p>STD 0.60mm</p> <p>A 58.75 B- 19.40 BØ 39.25 D 87.60 32x72</p> <p>AK KK RT TP</p>		<p>08-122200-00 08-122208-00</p> <p>STD 0.60mm</p> <p>2.50 CK P 2.00 P 2.50 CR P</p>		<p>14-021280-00 DH [35] B 97.03 C 167.00 D 100.00 E 5.00 14-022560-00 D B 96.00 C 167.30 D 98.90 E 5.00 14-028930-00 D B 97.50 C 167.00 D 100.90 E 5.00 14-028931-00 D B 97.58 C 167.00 D 100.90 E 5.00 14-028932-00 D B 97.70 C 167.00 D 100.90 E 5.00</p>			
<p>87-854700-00 87-854708-00</p> <p>STD 0.60mm</p> <p>A 58.75 B- 19.40 BØ 39.40 D 96.65 32x78</p> <p>AK KK RT</p>		<p>08-854700-00 08-854708-00</p> <p>STD 0.60mm</p> <p>3.00 CR 2.00 P 3.00 CR</p>					

[35] Nitrided [35] Nitridé [35] Nitruato [35] Niturado

BE/PL	4	56.520/56.535	60.333/60.345	24.700	1.870	0.020/0.072	BS	1870CP	71-4130/4 STD 0.25 0.50 0.75	
MB/HL 5	1	86.182/86.208	90.588/90.614	30.950	2.164	0.052/0.129	BS	4691CPH	H1104/5 STD 0.25 0.50	
MB/HL 1-4	4	80.182/80.208	84.588/84.614	23.800	2.164	0.052/0.129	BS	4692CP		
SE/PB	1	31.990/31.996	35.570/35.595	30.400			BS	55-4099	55-4099 SEMI	[47]
SE/PB	1	31.990/31.996	34.895/34.920	30.700			BS	66579YA	55-4186 SEMI	

55-4099

66579YA



1488

94.40

Diesel



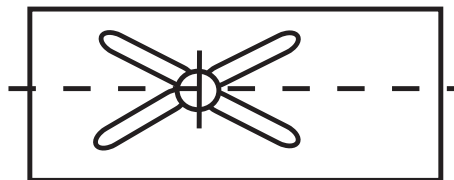
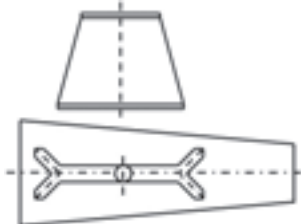
8140.43.B.3586 Euro 3	4 Cyl.	2800cc	78kW (106)PS	TD17194	762
8140.43.B.3588 Euro 3	4 Cyl.	2800cc	78kW (106)PS	TD17195	762
8140.43.S.2585 Euro 2	4 Cyl.	2800cc	92kW (125)PS	TD14091	764

	<p>08-122200-00 STD</p> <p>08-122208-00 0.60mm</p> <p>2572280→</p> <p>2.50 CK P</p> <p>2.00 P</p> <p>2.50 CR P</p>		<p>14-021321-00 D</p> <p>B 97.54 C 167.00 D 100.90 E 5.00</p> <p>14-021322-00 D</p> <p>B 97.70 C 167.00 D 100.90 E 5.00</p> <p>14-028930-00 D</p> <p>B 97.50 C 167.00 D 100.90 E 5.00</p> <p>14-028931-00 D</p> <p>B 97.58 C 167.00 D 100.90 E 5.00</p> <p>14-028932-00 D</p> <p>B 97.70 C 167.00 D 100.90 E 5.00</p>
	<p>08-854700-00 STD</p> <p>08-854708-00 0.60mm</p> <p>→2572279</p> <p>3.00 CR</p> <p>2.00 P</p> <p>3.00 CR</p>		

BE/PL	4	56.520/56.535	60.333/60.345	24.700	1.870	0.020/0.072	BS	1870CP	71-4130/4 STD 0.25 0.50 0.75
MB/HL 5	1	86.182/86.208	90.588/90.614	30.950	2.164	0.052/0.129	BS	4691CPH	H1104/5 STD 0.25 0.50
MB/HL 1-4	4	80.182/80.208	84.588/84.614	23.800	2.164	0.052/0.129	BS	4692CP	
SE/PB	1	31.990/31.996	35.570/35.595	30.400			BS	55-4099	55-4099 SEMI [47]
SE/PB	1	31.990/31.996	34.895/34.920	30.700			BS	66579YA	55-4186 SEMI

55-4099

66579YA



--	--	--

JJ613

NF883 114.00x177.00x13.00mm, FPM
NF885 70.00x179.00x16.00mm, FPM



JJ613

1489

 94.40

Diesel



8140.43.C.2586

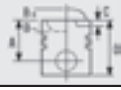
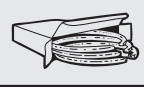


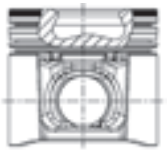








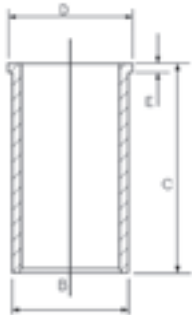
4 Cyl.



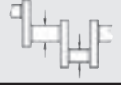
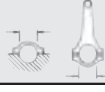






2800cc

78kW (106)PS

TD14090

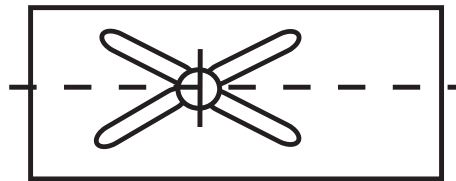
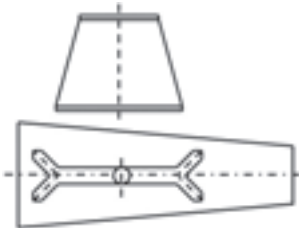
763







						
87-122200-10 87-122208-10	STD 0.60mm	 	08-122200-00 STD 08-122208-00 0.60mm 2572280→ 2.50  CK P 2.00  P 2.50  CR P	14-021321-00 D B 97.54 C 167.00 D 100.90 E 5.00 14-021322-00 D B 97.70 C 167.00 D 100.90 E 5.00 14-028930-00 D B 97.50 C 167.00 D 100.90 E 5.00 14-028931-00 D B 97.58 C 167.00 D 100.90 E 5.00 14-028932-00 D B 97.70 C 167.00 D 100.90 E 5.00		
A 58.75 B- 19.40 BØ 39.25 D 87.60  32x72			08-854700-00 STD 08-854708-00 0.60mm →2572279 3.00  CR 2.00  P 3.00  CR			
AK KK RT TP						

									
BE/PL	4	56.520/56.535	60.333/60.345	24.700	1.870	0.020/0.072	BS	1870CP	71-4130/4 STD 0.25 0.50 0.75
MB/HL 5	1	86.182/86.208	90.588/90.614	30.950	2.164	0.052/0.129	BS	4691CPH	H1104/5 STD 0.25 0.50
MB/HL 1-4	4	80.182/80.208	84.588/84.614	23.800	2.164	0.052/0.129	BS	4692CP	
SE/PB	1	31.990/31.996	35.570/35.595	30.400			BS	55-4099	55-4099 SEMI [47]
SE/PB	1	31.990/31.996	34.895/34.920	30.700			BS	66579YA	55-4186 SEMI

55-4099

66579YA



		
	JJ613	NF883  114.00x177.00x13.00mm, FPM NF885  70.00x179.00x16.00mm, FPM
		
	JJ613	

1490

94.40

Diesel



8140.43.S.3585 Euro 3

4 Cyl.

2800cc

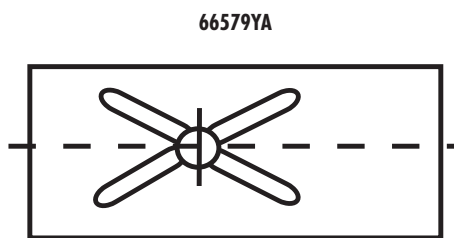
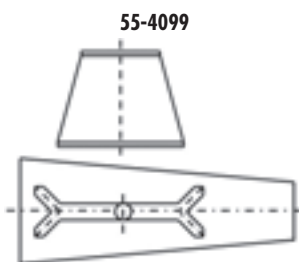
92kW (125)PS

TD17196

765

87-122200-00 87-122208-00 A 58.70 B- 21.30 BØ 39.40 D 87.60 32x72 AK KK RT TP	STD 0.60mm		08-122200-00 STD 08-122208-00 0.60mm 2572280→ 2.50 CK P 2.00 P 2.50 CR P	14-021321-00 D B 97.54 C 167.00 D 100.90 E 5.00 14-021322-00 D B 97.70 C 167.00 D 100.90 E 5.00 14-028930-00 D B 97.50 C 167.00 D 100.90 E 5.00 14-028931-00 D B 97.58 C 167.00 D 100.90 E 5.00 14-028932-00 D B 97.70 C 167.00 D 100.90 E 5.00			
		08-854700-00 STD 08-854708-00 0.60mm →2572279 3.00 CR 2.00 P 3.00 CR					

BE/PL	4	56.520/56.535	60.333/60.345	24.700	1.870	0.020/0.072	BS	1870CP	71-4130/4 STD 0.25 0.50 0.75	
MB/HL 5	1	86.182/86.208	90.588/90.614	30.950	2.164	0.052/0.129	BS	4691CPH	H1104/5 STD 0.25 0.50	
MB/HL 1-4	4	80.182/80.208	84.588/84.614	23.800	2.164	0.052/0.129	BS	4692CP		
SE/PB	1	31.990/31.996	35.570/35.595	30.400			BS	55-4099	55-4099 SEMI	[47]
SE/PB	1	31.990/31.996	34.895/34.920	30.700			BS	66579YA	55-4186 SEMI	



	JJ613	NF883 114.00x177.00x13.00mm, FPM NF885 70.00x179.00x16.00mm, FPM
	JJ613	

1491



94.40

Diesel



8140.43N.3585 Euro 3

4 Cyl.

18.5:1

2800cc

107kW (146)PS

TD17197

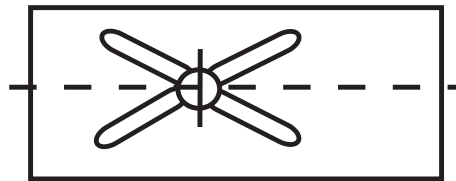
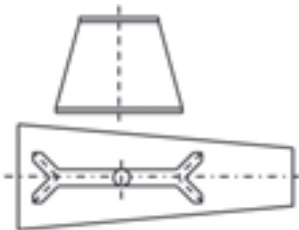
758

87-122200-00 87-122208-00 A 58.70 B- 21.30 BØ 39.40 D 87.60 32x72 AK KK RT TP	STD 0.60mm 	08-122200-00 STD 08-122208-00 0.60mm 2572280→ 2.50 CK P 2.00 P 2.50 CR P	14-021321-00 D B 97.54 C 167.00 D 100.90 E 5.00 14-021322-00 D B 97.70 C 167.00 D 100.90 E 5.00 14-028930-00 D B 97.50 C 167.00 D 100.90 E 5.00 14-028931-00 D B 97.58 C 167.00 D 100.90 E 5.00 14-028932-00 D B 97.70 C 167.00 D 100.90 E 5.00					
		08-854700-00 STD 08-854708-00 0.60mm →2572279 3.00 CR 2.00 P 3.00 CR						

BE/PL	4	56.520/56.535	60.333/60.345	24.700	1.870	0.020/0.072	BS	1870CP	71-4130/4 STD 0.25 0.50 0.75
MB/HL 5	1	86.182/86.208	90.588/90.614	30.950	2.164	0.052/0.129	BS	4691CPH	H1104/5 STD 0.25 0.50
MB/HL 1-4	4	80.182/80.208	84.588/84.614	23.800	2.164	0.052/0.129	BS	4692CP	
SE/PB	1	31.990/31.996	35.570/35.595	30.400			BS	55-4099	55-4099 SEMI [47]
SE/PB	1	31.990/31.996	34.895/34.920	30.700			BS	66579YA	55-4186 SEMI

55-4099

66579YA



		NF883 114.00x177.00x13.00mm, FPM NF885 70.00x179.00x16.00mm, FPM

1492

94.40

Diesel



8140.63.2585 Euro 2

4 Cyl.

21:1

2800cc

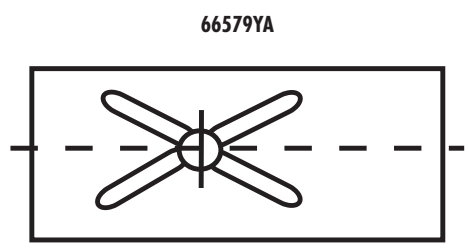
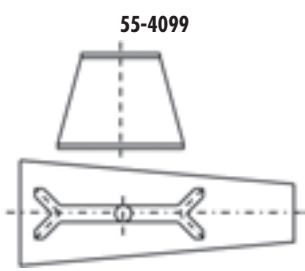
63kW (86)PS

TD14089

766

<p>87-108200-00 STD 87-108208-00 0.60mm</p> <p>A 55.00 B- 2.80 D 90.00 32x68</p> <p>AK HA RT TP</p>	<p>08-108200-00 STD 08-108208-00 0.60mm</p> <p>3.00 CR P 2.00 P 2.50 CR P</p>	<p>14-021321-00 D B 97.54 C 167.00 D 100.90 E 5.00 14-021322-00 D B 97.70 C 167.00 D 100.90 E 5.00 14-028930-00 D B 97.50 C 167.00 D 100.90 E 5.00 14-028931-00 D B 97.58 C 167.00 D 100.90 E 5.00 14-028932-00 D B 97.70 C 167.00 D 100.90 E 5.00</p>	


BE/PL	4	56.520/56.535	60.333/60.345	24.700	1.870	0.020/0.072	BS	1870CP	71-4130/4 STD 0.25 0.50 0.75	
MB/HL 5	1	86.182/86.208	90.588/90.614	30.950	2.164	0.052/0.129	BS	4691CPH	H1104/5 STD 0.25 0.50	
MB/HL 1-4	4	80.182/80.208	84.588/84.614	23.800	2.164	0.052/0.129	BS	4692CP		
SE/PB	1	31.990/31.996	35.570/35.595	30.400			BS	55-4099	55-4099 SEMI	[47]
SE/PB	1	31.990/31.996	34.895/34.920	30.700			BS	66579YA	55-4186 SEMI	





	JJ613	NF883 114.00x177.00x13.00mm, FPM NF885 70.00x179.00x16.00mm, FPM
	JJ613	


NUMERICAL PARTS LIST

Nummerische Teilenummernliste • Elenco riferimenti
Liste des références produits

 9		
01-3977/4	704	1112
01-3977/4	704	1113
01-3977/4	705	1115
01-3977/4	707	1116
01-3977/4	708	1117
01-3977/4	709	1118
01-3977/4	711	1119
01-3977/4	712	1120
01-3977/4	713	1121
01-4044/4	929	1381
01-4044/4	931	1383
01-4123/4	451	779
01-4123/4	451	780
01-4123/4	452	781
01-4125/4	573	931
01-4125/4	575	932
01-4125/4	576	933
01-4125/4	576	934
01-4125/4	583	941
01-4125/4	585	942
01-4125/4	586	943
01-4127/4	643	1023
01-4127/4	643	1024
01-4133/4	697	1100
01-4133/4	697	1101
01-4133/4	697	1102
01-4133/4	698	1103
01-4133/4	699	1104
01-4135/4	607	967
01-4135/4	645	1031
01-4135/4	646	1032
01-4135/4	647	1033
01-4135/4	648	1034
01-4135/4	662	1050
01-4135/4	663	1051
01-4135/4	663	1052
01-4135/4	664	1053
01-4135/4	665	1054
01-4135/4	681	1084
01-4135/4	682	1085
01-4135/4	683	1086
01-4135/4	686	1089
01-4137/4	699	1105
01-4137/4	700	1106
01-4137/4	700	1107
01-4137/4	701	1108
01-4137/4	701	1109
01-4137/4	702	1110
01-4137/4	703	1111
01-4137/4	715	1122
01-4137/4	716	1123
01-4137/4	717	1124
01-4137/4	718	1125
01-4137/4	719	1126
01-4137/4	719	1127
01-4137/4	720	1128
01-4137/4	721	1129
01-4137/4	722	1130
01-4137/4	723	1131
01-4137/4	723	1132


 9		
01-4137/4	724	1133
01-4137/4	733	1144
01-4137/4	734	1145
01-4137/4	735	1146
01-4138/4	725	1135
01-4138/4	725	1136
01-4138/4	726	1137
01-4138/4	727	1138
01-4138/4	728	1139
01-4138/4	729	1140
01-4138/4	730	1141
01-4138/4	731	1142
01-4138/4	732	1143
01-4138/4	738	1150
01-4138/4	739	1151
01-4138/4	740	1152
01-4138/4	741	1153
01-4138/4	742	1154
01-4138/4	743	1155
01-4138/4	744	1156
01-4138/4	745	1157
01-4138/4	745	1158
01-4138/4	746	1159
01-4138/4	747	1160
01-4138/4	747	1161
01-4138/4	748	1162
01-4138/4	749	1163
01-4138/4	750	1164
01-4138/4	750	1165
01-4138/4	751	1166
01-4138/4	751	1167
01-4138/4	752	1168
01-4138/4	752	1169
01-4138/4	753	1170
01-4138/4	754	1171
01-4138/4	754	1172
01-4138/4	755	1173
01-4138/4	756	1174
01-4138/4	756	1175
01-4138/4	757	1176
01-4138/4	757	1177
01-4138/4	758	1178
01-4138/4	759	1179
01-4138/4	759	1180
01-4138/4	760	1181
01-4138/4	761	1182
01-4138/4	761	1183
01-4138/4	762	1184
01-4138/4	763	1185
01-4138/4	763	1186
01-4138/4	764	1187
01-4138/4	764	1188
01-4138/4	765	1189
01-4138/4	766	1190
01-4138/4	784	1214
01-4138/4	790	1226
01-4138/4	791	1227
01-4138/4	791	1228
01-4138/4	792	1229
01-4138/4	792	1230


 9		
01-4138/4	793	1231
01-4138/4	794	1232
01-4138/4	795	1233
01-4138/4	796	1234
01-4138/4	797	1235
01-4138/4	798	1236
01-4138/4	798	1237
01-4138/4	799	1238
01-4138/4	799	1239
01-4138/4	800	1240
01-4138/4	800	1241
01-4138/4	801	1242
01-4138/4	801	1243
01-4138/4	801	1244
01-4138/4	802	1245
01-4138/4	803	1246
01-4138/4	804	1247
01-4138/4	805	1248
01-4138/4	806	1249
01-4138/4	807	1250
01-4149/4	629	1005
01-4149/4	632	1008
01-4149/4	635	1012
01-4149/4	639	1017
01-4149/4	639	1018
01-4155/4	545	904
01-4155/4	546	905
01-4155/4	546	906
01-4155/4	569	926
01-4155/4	570	927
01-4155/4	571	928
01-4155/4	572	929
01-4155/4	573	930
01-4155/4	607	968
01-4155/4	608	969
01-4155/4	608	970
01-4155/4	608	971
01-4155/4	609	972
01-4155/4	609	973
01-4161/4	705	1115
01-4161/4	707	1116
01-4161/4	708	1117
01-4161/4	709	1118
01-4161/4	711	1119
01-4161/4	712	1120
01-4161/4	713	1121
01-4163/4	468	798
01-4163/4	469	799
01-4163/4	489	827
01-4163/4	495	836
01-4163/4	496	837
01-4163/4	497	839
01-4163/4	501	843
01-4163/4	502	844
01-4163/4	503	845
01-4163/4	504	846
01-4163/4	505	847
01-4163/4	507	850
01-4163/4	510	853
01-4163/4	511	854


 9		
01-4165/4	508	851
01-4165/4	513	855
01-4169/4	780	1206
01-4169/4	780	1207
01-4169/4	781	1208
01-4169/4	781	1209
01-4169/4	782	1210
01-4169/4	782	1211
01-4169/4	783	1212
01-4169/4	783	1213
01-4169/4	786	1218
01-4169/4	786	1219
01-4169/4	787	1220
01-4169/4	787	1221
01-4169/4	788	1222
01-4169/4	788	1223
01-4169/4	789	1224
01-4172/4	477	813
01-4172/4	520	865
01-4173/4	449	776
01-4173/4	450	777
01-4173/4	450	778
01-4173/4	453	782
01-4173/4	456	786
01-4173/4	457	787
01-4173/4	458	788
01-4173/4	460	789
01-4173/4	461	790
01-4173/4	462	791
01-4173/4	464	792
01-4173/4	464	793
01-4173/4	465	794
01-4173/4	466	795
01-4173/4	467	796
01-4173/4	468	797
01-4173/4	468	798
01-4173/4	470	800
01-4173/4	471	801
01-4173/4	479	816
01-4173/4	480	818
01-4173/4	481	819
01-4173/4	482	820
01-4173/4	482	821
01-4173/4	484	822
01-4173/4	485	823
01-4173/4	486	824
01-4173/4	487	825
01-4173/4	488	826
01-4173/4	489	828
01-4173/4	490	829
01-4173/4	491	830
01-4173/4	491	831
01-4173/4	492	832
01-4173/4	493	833
01-4173/4	494	834
01-4173/4	494	835
01-4173/4	496	838
01-4173/4	498	840
01-4173/4	499	841
01-4173/4	500	842


NUMERICAL PARTS LIST


Numerische Teilenummernliste • Elenco riferimenti
Liste des références produits


		9
01-4558/4	656	1042
01-4558/4	657	1043
01-4980/3	454	783
01-4980/3	454	784
01-4980/3	455	785
05-4136	607	967
05-4136	645	1031
05-4136	646	1032
05-4136	647	1033
05-4136	648	1034
05-4136	662	1050
05-4136	663	1051
05-4136	663	1052
05-4136	664	1053
05-4136	665	1054
05-4136	681	1084
05-4136	682	1085
05-4136	683	1086
05-4136	686	1089
08-101400-00	644	1028
08-101400-00	645	1030
08-101500-00	839	1279
08-101500-00	846	1286
08-101500-00	847	1288
08-101500-00	848	1289
08-101500-00	849	1291
08-101500-00	850	1292
08-101500-00	851	1293
08-101500-00	852	1295
08-101500-00	854	1297
08-101500-00	854	1297
08-101507-00	839	1279
08-101507-00	846	1286
08-101507-00	847	1288
08-101507-00	848	1289
08-101507-00	849	1291
08-101507-00	850	1292
08-101507-00	851	1293
08-101507-00	852	1295
08-101507-00	854	1297
08-101600-00	929	1381
08-101600-00	931	1383
08-103500-00	809	1253
08-103500-00	819	1262
08-103500-00	835	1275
08-103500-00	837	1277
08-103500-00	838	1278
08-103500-00	839	1279
08-103500-00	841	1280
08-103507-00	809	1253
08-103507-00	819	1262
08-103507-00	835	1275
08-103507-00	837	1277
08-103507-00	838	1278
08-103507-00	839	1279
08-103507-00	841	1280
08-103800-00	527	879
08-103800-00	528	880
08-103800-00	529	882
08-103800-00	530	883
08-103800-00	531	884


		9
08-103800-00	532	886
08-103806-00	527	879
08-103806-00	528	880
08-103806-00	529	882
08-103806-00	530	883
08-103806-00	531	884
08-103806-00	532	886
08-104000-00	544	902
08-104008-00	544	902
08-104100-00	705	1115
08-104100-00	707	1116
08-104100-00	709	1118
08-104100-00	711	1119
08-104100-00	712	1120
08-104100-00	713	1121
08-104105-00	705	1115
08-104105-00	707	1116
08-104105-00	709	1118
08-104105-00	711	1119
08-104105-00	712	1120
08-104105-00	713	1121
08-104107-00	705	1115
08-104107-00	707	1116
08-104107-00	709	1118
08-104107-00	711	1119
08-104107-00	712	1120
08-104107-00	713	1121
08-104200-00	790	1226
08-104200-00	791	1227
08-104200-00	792	1229
08-104200-00	792	1230
08-104200-00	793	1231
08-104200-00	794	1232
08-104200-00	796	1234
08-104200-00	797	1235
08-104200-00	798	1236
08-104200-00	799	1239
08-104200-00	800	1241
08-104200-00	801	1244
08-104200-00	803	1246
08-104200-00	804	1247
08-104200-00	805	1248
08-104200-00	806	1249
08-104207-00	790	1226
08-104207-00	791	1227
08-104207-00	792	1229
08-104207-00	792	1230
08-104207-00	793	1231
08-104207-00	794	1232
08-104207-00	796	1234
08-104207-00	797	1235
08-104207-00	798	1236
08-104207-00	799	1239
08-104207-00	800	1241
08-104207-00	801	1244
08-104207-00	803	1246
08-104207-00	804	1247
08-104207-00	805	1248
08-104207-00	806	1249
08-104500-00	892	1351


		9
08-104500-00	893	1352
08-104700-00	935	1388
08-104700-00	936	1389
08-105000-00	725	1136
08-105100-00	809	1253
08-105100-00	819	1262
08-105100-00	835	1275
08-105100-00	837	1277
08-105100-00	838	1278
08-105100-00	839	1279
08-105100-00	841	1280
08-105107-00	809	1253
08-105107-00	819	1262
08-105107-00	835	1275
08-105107-00	837	1277
08-105107-00	838	1278
08-105107-00	839	1279
08-105200-00	790	1226
08-105200-00	791	1227
08-105200-00	792	1229
08-105200-00	792	1230
08-105200-00	794	1232
08-105200-00	796	1234
08-105200-00	797	1235
08-105200-00	798	1236
08-105200-00	799	1239
08-105200-00	800	1241
08-105200-00	804	1247
08-105207-00	790	1226
08-105207-00	791	1227
08-105207-00	792	1229
08-105207-00	792	1230
08-105207-00	794	1232
08-105207-00	796	1234
08-105207-00	797	1235
08-105207-00	798	1236
08-105207-00	799	1239
08-105207-00	800	1241
08-105207-00	804	1247
08-105500-00	592	949
08-105500-00	594	951
08-105500-00	595	952
08-105500-00	596	953
08-105507-00	592	949
08-105507-00	594	951
08-105507-00	595	952
08-105507-00	596	953
08-105510-00	592	949
08-105510-00	594	951
08-105510-00	595	952
08-105510-00	596	953
08-108200-00	1049	1492
08-108200-00	695	1099
08-108208-00	1049	1492
08-108208-00	695	1099
08-111800-00	809	1253
08-111800-00	819	1262
08-111800-00	835	1275
08-111800-00	837	1277

		9
08-111800-00	838	1278
08-111800-00	839	1279
08-111800-00	841	1280
08-111807-00	809	1253
08-111807-00	819	1262
08-111807-00	835	1275
08-111807-00	837	1277
08-111807-00	838	1278
08-111807-00	839	1279
08-111807-00	841	1280
08-112400-00	668	1063
08-112407-00	668	1063
08-113700-00	846	1286
08-113700-00	848	1289
08-113700-00	849	1291
08-114700-00	610	974
08-114700-00	611	975
08-114700-00	611	976
08-114700-00	612	977
08-114700-00	613	978
08-114700-00	614	979
08-114700-00	614	980
08-114700-00	615	981
08-114700-00	616	982
08-114700-00	616	983
08-114700-00	619	987
08-114700-00	624	995
08-114700-00	627	999
08-114700-00	628	1000
08-114700-00	628	1001
08-114708-00	610	974
08-114708-00	611	975
08-114708-00	611	976
08-114708-00	612	977
08-114708-00	613	978
08-114708-00	614	979
08-114708-00	614	980
08-114708-00	615	981
08-114708-00	616	982
08-114708-00	616	983
08-114708-00	619	987
08-114708-00	624	995
08-114708-00	627	999
08-114708-00	628	1000
08-114708-00	628	1001
08-118700-00	930	1382
08-118800-00	930	1382
08-118900-00	668	1064
08-118907-00	668	1064
08-122200-00	1043	1486
08-122200-00	1044	1487
08-122200-00	1045	1488
08-122200-00	1046	1489
08-122200-00	1047	1490
08-122200-00	1048	1491
08-122200-00	694	1098
08-122208-00	1043	1486
08-122208-00	1044	1487
08-122208-00	1045	1488
08-122208-00	1046	1489

 9		
08-122208-00	1047	1490
08-122208-00	1048	1491
08-122208-00	694	1098
08-123400-00	768	1193
08-123400-00	769	1194
08-123400-00	770	1195
08-123400-00	771	1196
08-123400-00	772	1197
08-123400-00	777	1202
08-123400-00	778	1203
08-123400-00	779	1205
08-123400-30	767	1192
08-123400-30	770	1195
08-123400-30	773	1198
08-123400-30	774	1199
08-123400-30	775	1200
08-123400-30	776	1201
08-123400-30	778	1204
08-123407-00	768	1193
08-123407-00	769	1194
08-123407-00	770	1195
08-123407-00	771	1196
08-123407-00	772	1197
08-123407-00	777	1202
08-123407-00	778	1203
08-123407-00	779	1205
08-123407-30	767	1192
08-123407-30	770	1195
08-123407-30	773	1198
08-123407-30	774	1199
08-123407-30	775	1200
08-123407-30	776	1201
08-123407-30	778	1204
08-126600-00	621	990
08-126608-00	621	990
08-127400-00	932	1384
08-127400-00	933	1385
08-127400-00	934	1386
08-127407-00	932	1384
08-127407-00	933	1385
08-127407-00	934	1386
08-135300-00	471	802
08-135300-00	473	804
08-135300-00	473	805
08-135300-00	474	806
08-135300-00	475	807
08-135305-00	471	802
08-135305-00	473	804
08-135305-00	473	805
08-135305-00	474	806
08-135305-00	475	807
08-135307-00	471	802
08-135307-00	473	804
08-135307-00	473	805
08-135307-00	474	806
08-135307-00	475	807
08-135800-00	670	1066
08-135807-00	670	1066
08-137500-00	979	1434
08-137500-10	980	1435


 9		
08-137507-00	979	1434
08-137507-10	980	1435
08-138900-00	501	843
08-138900-00	502	844
08-138900-00	503	845
08-138900-00	504	846
08-139400-00	529	881
08-139400-00	532	885
08-139400-00	533	887
08-139400-00	534	888
08-139406-00	529	881
08-139406-00	532	885
08-139406-00	533	887
08-139406-00	534	888
08-139407-00	529	881
08-139407-00	532	885
08-139407-00	533	887
08-139407-00	534	888
08-144700-00	476	808
08-144700-00	476	810
08-144700-00	477	811
08-147100-00	476	808
08-147100-00	477	811
08-147300-10	1032	1473
08-147300-10	671	1069
08-147300-10	672	1070
08-147300-10	674	1072
08-147300-10	677	1075
08-147300-10	678	1077
08-147300-10	984	1442
08-147300-10	986	1443
08-147300-10	987	1444
08-147300-10	989	1445
08-147300-10	990	1446
08-147800-00	478	814
08-147900-00	536	891
08-150900-00	521	868
08-151200-00	547	907
08-151200-00	548	908
08-151200-00	549	909
08-151200-00	550	911
08-151200-00	553	913
08-151200-00	554	914
08-151200-00	555	915
08-151200-00	558	917
08-151200-00	559	918
08-151200-00	562	920
08-151200-00	565	923
08-151200-00	566	924
08-151200-00	567	925
08-152000-00	587	944
08-152000-00	588	945
08-152000-00	589	946
08-152000-00	590	947
08-152000-00	591	948
08-152000-00	593	950
08-152003-00	587	944
08-152003-00	588	945
08-152003-00	589	946
08-152003-00	590	947


 9		
08-152003-00	591	948
08-152003-00	593	950
08-152007-00	587	944
08-152007-00	588	945
08-152007-00	589	946
08-152007-00	590	947
08-152007-00	591	948
08-152007-00	593	950
08-152010-00	587	944
08-152010-00	588	945
08-152010-00	589	946
08-152010-00	590	947
08-152010-00	591	948
08-152010-00	593	950
08-152011-00	587	944
08-152011-00	588	945
08-152011-00	589	946
08-152011-00	590	947
08-152011-00	591	948
08-152011-00	593	950
08-152700-00	671	1069
08-152700-00	672	1070
08-152700-00	674	1072
08-152700-00	677	1075
08-152700-00	678	1077
08-152700-00	687	1090
08-152707-00	671	1069
08-152707-00	672	1070
08-152707-00	674	1072
08-152707-00	677	1075
08-152707-00	678	1077
08-152707-00	687	1090
08-152900-00	675	1073
08-152900-00	678	1076
08-152900-00	679	1078
08-154200-00	451	780
08-154200-00	452	781
08-154200-00	453	782
08-154206-00	451	780
08-154206-00	452	781
08-154206-00	453	782
08-154208-00	451	780
08-154208-00	452	781
08-154208-00	453	782
08-154300-00	465	794
08-154300-00	466	795
08-154307-00	465	794
08-154307-00	466	795
08-154400-00	480	818
08-154400-00	482	820
08-154400-00	489	828
08-154400-00	490	829
08-154400-00	491	830
08-154400-00	491	831
08-154400-00	492	832
08-154400-00	494	834
08-154400-00	494	835
08-154400-00	495	836
08-154400-00	496	837
08-154400-00	496	838


 9		
08-154400-00	497	839
08-154400-00	498	840
08-154400-00	499	841
08-154400-00	500	842
08-154400-00	506	848
08-154400-00	507	849
08-154400-00	509	852
08-154400-00	510	853
08-154400-00	511	854
08-154407-00	480	818
08-154407-00	482	820
08-154407-00	489	828
08-154407-00	490	829
08-154407-00	491	830
08-154407-00	491	831
08-154407-00	492	832
08-154407-00	494	834
08-154407-00	494	835
08-154407-00	495	836
08-154407-00	496	837
08-154407-00	496	838
08-154407-00	497	839
08-154407-00	498	840
08-154407-00	499	841
08-154407-00	500	842
08-154407-00	506	848
08-154407-00	507	849
08-154407-00	509	852
08-154407-00	510	853
08-154407-00	511	854
08-154500-00	508	851
08-154500-00	513	855
08-154600-00	629	1005
08-154600-00	630	1006
08-154600-00	631	1007
08-154600-00	632	1008
08-154600-00	633	1009
08-154600-00	634	1010
08-154600-00	635	1012
08-154600-00	636	1013
08-154600-00	637	1014
08-154600-00	639	1018
08-154605-00	629	1005
08-154605-00	630	1006
08-154605-00	631	1007
08-154605-00	632	1008
08-154605-00	633	1009
08-154605-00	634	1010
08-154605-00	635	1012
08-154605-00	636	1013
08-154605-00	637	1014
08-154608-00	629	1005
08-154608-00	630	1006
08-154608-00	631	1007
08-154608-00	632	1008
08-154608-00	633	1009
08-154608-00	634	1010
08-154608-00	635	1012
08-154608-00	636	1013


NUMERICAL PARTS LIST


Numerische Teilenummernliste • Elenco riferimenti
Liste des références produits


 9		
08-154608-00	637	1014
08-154608-00	639	1018
08-154700-00	640	1019
08-154900-00	620	988
08-154900-00	621	989
08-154908-00	620	988
08-154908-00	621	989
08-214400-10	1032	1473
08-214400-10	671	1069
08-214400-10	672	1070
08-214400-10	674	1072
08-214400-10	677	1075
08-214400-10	678	1077
08-214400-10	984	1442
08-214400-10	986	1443
08-214400-10	987	1444
08-214400-10	989	1445
08-214400-10	990	1446
08-214500-10	1032	1473
08-214500-10	984	1442
08-214500-10	986	1443
08-214500-10	987	1444
08-214500-10	989	1445
08-214500-10	990	1446
08-214508-10	1032	1473
08-214508-10	984	1442
08-214508-10	986	1443
08-214508-10	987	1444
08-214508-10	989	1445
08-214508-10	990	1446
08-245200-00	1004	1456
08-245200-00	1007	1458
08-245200-00	1009	1459
08-245200-00	1010	1460
08-245200-00	1026	1470
08-245200-00	983	1441
08-245208-00	1004	1456
08-245208-00	1007	1458
08-245208-00	1009	1459
08-245208-00	1010	1460
08-245208-00	1026	1470
08-245208-00	983	1441
08-31800-10	645	1031
08-31800-10	646	1032
08-31800-10	647	1033
08-31800-10	648	1034
08-314900-10	662	1050
08-314900-10	664	1053
08-315300-00	600	958
08-315300-00	600	959
08-315300-00	601	960
08-315300-00	602	961
08-315300-00	603	962
08-315300-00	604	963
08-315300-00	605	964
08-315300-00	606	965
08-315307-00	600	958
08-315307-00	600	959
08-315307-00	601	960
08-315307-00	602	961


 9		
08-315307-00	603	962
08-315307-00	604	963
08-315307-00	605	964
08-315307-00	606	965
08-316900-00	649	1035
08-316900-00	650	1036
08-316900-00	651	1037
08-316900-00	652	1038
08-316900-00	653	1039
08-316900-00	654	1040
08-316900-00	655	1041
08-316900-00	657	1043
08-316900-00	661	1049
08-316900-00	977	1430
08-316900-00	978	1433
08-316907-00	649	1035
08-316907-00	650	1036
08-316907-00	651	1037
08-316907-00	652	1038
08-316907-00	653	1039
08-316907-00	654	1040
08-316907-00	655	1041
08-316907-00	657	1043
08-316907-00	661	1049
08-316907-00	977	1430
08-316907-00	978	1433
08-317300-00	449	776
08-317300-00	450	778
08-317300-00	451	780
08-317300-00	453	782
08-317600-10	525	875
08-318700-10	681	1084
08-318700-10	682	1085
08-318700-10	683	1086
08-318700-10	684	1087
08-318700-10	688	1091
08-318700-10	690	1093
08-318704-10	681	1084
08-318704-10	682	1085
08-318704-10	683	1086
08-318704-10	684	1087
08-318704-10	688	1091
08-318704-10	690	1093
08-318706-10	681	1084
08-318706-10	682	1085
08-318706-10	683	1086
08-318706-10	684	1087
08-318706-10	688	1091
08-318706-10	690	1093
08-318707-10	681	1084
08-318707-10	682	1085
08-318707-10	683	1086
08-318707-10	684	1087
08-318707-10	688	1091
08-318707-10	690	1093
08-318708-10	681	1084
08-318708-10	682	1085
08-318708-10	683	1086
08-318708-10	684	1087
08-318708-10	688	1091


 9		
08-318708-10	690	1093
08-318710-10	681	1084
08-318710-10	682	1085
08-318710-10	683	1086
08-318710-10	684	1087
08-318710-10	688	1091
08-318710-10	690	1093
08-318711-10	681	1084
08-318711-10	682	1085
08-318711-10	683	1086
08-318711-10	684	1087
08-318711-10	688	1091
08-318711-10	690	1093
08-319100-10	537	894
08-319400-00	460	789
08-319400-00	461	790
08-319400-00	462	791
08-319400-00	464	792
08-319400-00	471	801
08-320100-00	523	872
08-320100-00	524	874
08-320100-00	525	876
08-320100-00	526	877
08-320200-10	685	1088
08-320200-10	686	1089
08-320200-10	691	1094
08-320200-10	693	1096
08-320204-10	685	1088
08-320204-10	686	1089
08-320204-10	691	1094
08-320204-10	693	1096
08-320206-10	685	1088
08-320206-10	686	1089
08-320206-10	691	1094
08-320206-10	693	1096
08-320208-10	685	1088
08-320208-10	686	1089
08-320208-10	691	1094
08-320208-10	693	1096
08-320211-10	685	1088
08-320211-10	686	1089
08-320211-10	691	1094
08-320211-10	693	1096
08-321500-00	538	895
08-321500-00	539	897
08-321500-00	541	898
08-321500-00	542	899
08-321507-00	538	895
08-321507-00	539	897
08-321507-00	541	898
08-321507-00	542	899
08-321510-00	538	895
08-321510-00	539	897
08-321510-00	541	898
08-321510-00	542	899
08-321600-00	980	1436
08-322400-00	556	916
08-322400-00	564	922
08-322400-00	570	927
08-322400-00	572	929

 9		
08-322400-00	576	934
08-322400-00	577	935
08-322400-00	579	936
08-322400-00	581	939
08-322400-00	583	941
08-322400-00	585	942
08-322400-00	586	943
08-323400-00	546	906
08-323400-00	561	919
08-323400-00	569	926
08-323400-00	571	928
08-323400-00	573	930
08-323400-00	580	937
08-323600-00	543	900
08-323607-00	543	900
08-325500-00	592	949
08-325500-00	594	951
08-325500-00	595	952
08-325500-00	596	953
08-325507-00	592	949
08-325507-00	594	951
08-325507-00	595	952
08-325507-00	596	953
08-325800-00	522	870
08-325806-00	522	870
08-326300-00	668	1064
08-326300-00	669	1065
08-326300-00	670	1067
08-326307-00	668	1064
08-326307-00	669	1065
08-326307-00	670	1067
08-331600-10	697	1102
08-331600-10	698	1103
08-331600-10	699	1104
08-332200-00	719	1127
08-333300-00	697	1102
08-333300-00	698	1103
08-333300-00	699	1104
08-333400-10	726	1137
08-333400-10	727	1138
08-333400-10	728	1139
08-333400-10	729	1140
08-333400-10	730	1141
08-333400-10	731	1142
08-333400-10	732	1143
08-333500-00	753	1170
08-333500-00	754	1171
08-333500-00	755	1173
08-333500-00	756	1174
08-333500-00	758	1178
08-333500-00	761	1183
08-333500-00	762	1184
08-333500-00	763	1185
08-333500-00	765	1189
08-333500-00	766	1190
08-333505-00	753	1170
08-333505-00	754	1171
08-333505-00	755	1173
08-333505-00	756	1174
08-333505-00	758	1178

 9		
08-333505-00	761	1183
08-333505-00	762	1184
08-333505-00	763	1185
08-333505-00	765	1189
08-333505-00	766	1190
08-333507-00	753	1170
08-333507-00	754	1171
08-333507-00	755	1173
08-333507-00	756	1174
08-333507-00	758	1178
08-333507-00	761	1183
08-333507-00	762	1184
08-333507-00	763	1185
08-333507-00	765	1189
08-333507-00	766	1190
08-334000-00	700	1106
08-334000-00	700	1107
08-334000-00	701	1109
08-334000-00	702	1110
08-334000-00	703	1111
08-334200-00	479	816
08-334200-00	480	817
08-334200-00	482	821
08-334200-00	484	822
08-334200-00	485	823
08-334200-00	486	824
08-334200-00	487	825
08-334200-00	488	826
08-334200-00	735	1147
08-334200-00	736	1148
08-334200-00	737	1149
08-334207-00	479	816
08-334207-00	480	817
08-334207-00	482	821
08-334207-00	484	822
08-334207-00	485	823
08-334207-00	486	824
08-334207-00	487	825
08-334207-00	488	826
08-334207-00	735	1147
08-334207-00	736	1148
08-334207-00	737	1149
08-334300-00	786	1218
08-334300-00	786	1219
08-334300-00	788	1223
08-334300-00	789	1224
08-334400-00	658	1044
08-334400-00	659	1045
08-334400-00	659	1046
08-334400-00	660	1047
08-334400-00	661	1048
08-334400-00	936	1392
08-334400-00	939	1395
08-334400-00	940	1396
08-334400-00	941	1397
08-334400-00	942	1398
08-334400-00	943	1399
08-334400-00	946	1402
08-334400-00	948	1404
08-334400-00	951	1409


 9		
08-334400-00	952	1411
08-334400-00	955	1414
08-334400-00	959	1418
08-334400-00	962	1420
08-334400-00	969	1425
08-334400-00	971	1426
08-334400-00	974	1428
08-334500-00	780	1206
08-334500-00	780	1207
08-334500-00	781	1208
08-334500-00	782	1210
08-334500-00	782	1211
08-334600-00	715	1122
08-334600-00	716	1123
08-334600-00	717	1124
08-334600-00	718	1125
08-334600-00	719	1126
08-334600-00	720	1128
08-334600-00	722	1130
08-334600-00	723	1132
08-334600-00	724	1133
08-334700-10	899	1361
08-334700-10	902	1363
08-334704-10	899	1361
08-334704-10	902	1363
08-334707-10	899	1361
08-334707-10	902	1363
08-335000-10	784	1215
08-335000-10	785	1216
08-335003-10	784	1215
08-335003-10	785	1216
08-335005-10	784	1215
08-335005-10	785	1216
08-335007-10	784	1215
08-335007-10	785	1216
08-335100-00	858	1304
08-335100-00	859	1305
08-335100-00	860	1306
08-335100-00	861	1307
08-335100-00	862	1309
08-335100-00	863	1310
08-335105-00	858	1304
08-335105-00	859	1305
08-335105-00	860	1306
08-335105-00	861	1307
08-335105-00	862	1309
08-335105-00	863	1310
08-335107-00	858	1304
08-335107-00	859	1305
08-335107-00	860	1306
08-335107-00	861	1307
08-335107-00	862	1309
08-335107-00	863	1310
08-335400-00	904	1364
08-335400-00	905	1365
08-335400-00	909	1367
08-335400-00	910	1368
08-335400-00	912	1369
08-335400-00	916	1372
08-335400-00	921	1375


 9		
08-335400-00	922	1376
08-335400-00	925	1378
08-335400-00	926	1379
08-335400-00	928	1380
08-335500-00	725	1136
08-335600-00	752	1169
08-335600-00	757	1176
08-335600-00	757	1177
08-335600-00	759	1179
08-335600-00	759	1180
08-336300-00	939	1395
08-336300-00	940	1396
08-336300-00	941	1397
08-336300-00	942	1398
08-336300-00	943	1399
08-336300-00	946	1402
08-336300-00	948	1404
08-336300-00	951	1409
08-336300-00	952	1411
08-336300-00	954	1413
08-336300-00	955	1414
08-336300-00	958	1417
08-336300-00	959	1418
08-336300-00	962	1420
08-336300-00	964	1421
08-336300-00	965	1422
08-336300-00	966	1423
08-336300-00	969	1425
08-336300-00	971	1426
08-336300-00	974	1428
08-336400-00	738	1150
08-336400-00	739	1151
08-336400-00	740	1152
08-336400-00	741	1153
08-336400-00	742	1154
08-336400-00	743	1155
08-336400-00	745	1157
08-336400-00	747	1161
08-336400-00	748	1162
08-336400-00	749	1163
08-336400-00	750	1164
08-336407-00	738	1150
08-336407-00	739	1151
08-336407-00	740	1152
08-336407-00	741	1153
08-336407-00	742	1154
08-336407-00	743	1155
08-336407-00	745	1157
08-336407-00	747	1161
08-336407-00	748	1162
08-336407-00	749	1163
08-336407-00	750	1164
08-336500-00	808	1252
08-336500-00	810	1254
08-336500-00	813	1257
08-336500-00	814	1258
08-336500-00	816	1259
08-336500-00	817	1260
08-336500-00	818	1261
08-336500-00	821	1263
08-336500-00	822	1264
08-336500-00	823	1265
08-336500-00	826	1267
08-336500-00	827	1268
08-336500-00	828	1269
08-336500-00	829	1270


 9		
08-336500-00	822	1264
08-336500-00	823	1265
08-336500-00	826	1267
08-336500-00	827	1268
08-336500-00	828	1269
08-336500-00	829	1270
08-336500-00	830	1271
08-336500-00	831	1272
08-336500-00	833	1273
08-336500-00	834	1274
08-336505-00	808	1252
08-336505-00	810	1254
08-336505-00	813	1257
08-336505-00	814	1258
08-336505-00	816	1259
08-336505-00	817	1260
08-336505-00	818	1261
08-336505-00	821	1263
08-336505-00	822	1264
08-336505-00	823	1265
08-336505-00	826	1267
08-336505-00	827	1268
08-336505-00	828	1269
08-336505-00	829	1270
08-336505-00	830	1271
08-336505-00	831	1272
08-336505-00	833	1273
08-336505-00	834	1274
08-336507-00	808	1252
08-336507-00	810	1254
08-336507-00	813	1257
08-336507-00	814	1258
08-336507-00	816	1259
08-336507-00	817	1260
08-336507-00	818	1261
08-336507-00	821	1263
08-336507-00	822	1264
08-336507-00	823	1265
08-336507-00	826	1267
08-336507-00	827	1268
08-336507-00	828	1269
08-336507-00	829	1270
08-336510-00	808	1252
08-336510-00	810	1254
08-336510-00	813	1257
08-336510-00	814	1258
08-336510-00	816	1259
08-336510-00	817	1260
08-336510-00	818	1261
08-336510-00	821	1263
08-336510-00	822	1264
08-336510-00	823	1265
08-336510-00	826	1267
08-336510-00	827	1268
08-336510-00	828	1269
08-336510-00	829	1270


NUMERICAL PARTS LIST


Numerische Teilenummernliste • Elenco riferimenti
Liste des références produits


 9		
08-336510-00	830	1271
08-336510-00	831	1272
08-336510-00	833	1273
08-336510-00	834	1274
08-336600-00	864	1312
08-336600-00	865	1314
08-337000-00	904	1364
08-337000-00	905	1365
08-337000-00	909	1367
08-337000-00	910	1368
08-337000-00	912	1369
08-337000-00	916	1372
08-337000-00	922	1376
08-337000-00	925	1378
08-337000-00	926	1379
08-337100-00	901	1362
08-337100-00	907	1366
08-337100-00	917	1373
08-337100-00	919	1374
08-337300-00	733	1144
08-337300-00	734	1145
08-337300-00	735	1146
08-337400-00	866	1315
08-337400-00	868	1318
08-337400-00	872	1322
08-337400-00	872	1323
08-337400-00	875	1326
08-337700-00	888	1347
08-337700-00	889	1348
08-337700-00	891	1349
08-344500-00	464	793
08-344500-00	477	813
08-346000-00	520	865
08-408800-00	667	1061
08-408800-00	981	1438
08-408800-00	982	1440
08-422000-00	894	1354
08-422000-00	896	1356
08-422000-00	897	1357
08-422007-00	894	1354
08-422007-00	896	1356
08-422007-00	897	1357
08-422300-00	844	1283
08-422300-00	845	1284
08-422300-00	853	1296
08-422300-00	855	1299
08-422300-00	855	1300
08-422307-00	844	1283
08-422307-00	845	1284
08-422307-00	853	1296
08-422307-00	855	1299
08-422307-00	855	1300
08-424000-00	514	856
08-424000-00	515	857
08-424000-00	519	863
08-424007-00	514	856
08-424007-00	515	857
08-424007-00	519	863
08-424008-00	514	856
08-424008-00	515	857


 9		
08-424008-00	519	863
08-425000-00	1019	1466
08-425000-00	1020	1467
08-425000-00	1022	1468
08-425000-00	992	1447
08-425000-00	994	1448
08-425000-00	995	1449
08-425000-00	997	1450
08-425008-00	1019	1466
08-425008-00	1020	1467
08-425008-00	1022	1468
08-425008-00	992	1447
08-425008-00	994	1448
08-425008-00	995	1449
08-425008-00	997	1450
08-426300-00	468	798
08-426300-00	469	799
08-427700-00	641	1020
08-427700-00	642	1021
08-427707-00	641	1020
08-427707-00	642	1021
08-432400-00	544	901
08-435200-00	898	1359
08-435207-00	898	1359
08-435700-00	448	774
08-435706-00	448	774
08-436700-00	625	996
08-436700-00	626	997
08-436700-00	626	998
08-439600-00	454	783
08-439600-00	454	784
08-439600-00	455	785
08-520200-00	1002	1455
08-520200-00	1012	1461
08-520200-00	1013	1462
08-520200-00	1014	1463
08-520200-00	1028	1471
08-520200-00	1039	1479
08-520300-00	597	954
08-520300-00	598	955
08-520300-00	599	957
08-782300-00	673	1071
08-782300-00	676	1074
08-782308-00	673	1071
08-782308-00	676	1074
08-783300-00	1016	1464
08-783300-00	1030	1472
08-783300-00	1032	1473
08-783300-00	1035	1476
08-783300-00	1036	1477
08-783308-00	1016	1464
08-783308-00	1030	1472
08-783308-00	1032	1473
08-783308-00	1035	1476
08-783308-00	1036	1477
08-783700-00	643	1023
08-783706-00	643	1023
08-783708-00	643	1023
08-783711-00	643	1023
08-785400-00	673	1071


 9		
08-785400-00	676	1074
08-785408-00	673	1071
08-785408-00	676	1074
08-854700-00	1043	1486
08-854700-00	1044	1487
08-854700-00	1045	1488
08-854700-00	1046	1489
08-854700-00	1047	1490
08-854700-00	1048	1491
08-854708-00	1043	1486
08-854708-00	1044	1487
08-854708-00	1045	1488
08-854708-00	1046	1489
08-854708-00	1047	1490
08-854708-00	1048	1491
14-000320-00	901	1362
14-000320-00	905	1365
14-000320-00	907	1366
14-000320-00	909	1367
14-000320-00	910	1368
14-000320-00	912	1369
14-000320-00	916	1372
14-000320-00	917	1373
14-000320-00	919	1374
14-000320-00	922	1376
14-000320-00	925	1378
14-000320-00	926	1379
14-000320-00 W	899	1361
14-000320-00 W	901	1362
14-000320-00 W	904	1364
14-000320-00 W	905	1365
14-000320-00 W	907	1366
14-000320-00 W	909	1367
14-000320-00 W	910	1368
14-000320-00 W	912	1369
14-000320-00 W	913	1370
14-000320-00 W	916	1372
14-000320-00 W	917	1373
14-000320-00 W	919	1374
14-000320-00 W	921	1375
14-000320-00 W	922	1376
14-000320-00 W	925	1378
14-000320-00 W	926	1379
14-000320-00 W	928	1380
14-013481-00 D	671	1069
14-013481-00 D	672	1070
14-013481-00 D	674	1072
14-013481-00 D	675	1073
14-013481-00 D	677	1075
14-013481-00 D	678	1076
14-013481-00 D	678	1077
14-013481-00 D	679	1078
14-014730-00 D	673	1071
14-014730-00 D	676	1074
14-020190-00 D	668	1063
14-020190-00 D	670	1066
14-020290-00 D	544	902
14-020530-00	588	945
14-020530-00	589	946
14-020530-00	590	947

 9		
14-020530-00	591	948
14-020530-00 D	587	944
14-020530-00 D	588	945
14-020530-00 D	589	946
14-020530-00 D	590	947
14-020530-00 D	591	948
14-020530-00 D	592	949
14-020530-00 D	593	950
14-020530-00 D	594	951
14-020530-00 D	595	952
14-020530-00 D	596	953
14-020650-00 D	767	1192
14-020650-00 D	768	1193
14-020650-00 D	769	1194
14-020650-00 D	770	1195
14-020650-00 D	771	1196
14-020650-00 D	772	1197
14-020650-00 D	773	1198
14-020650-00 D	774	1199
14-020650-00 D	775	1200
14-020650-00 D	776	1201
14-020650-00 D	777	1202
14-020650-00 D	778	1203
14-020650-00 D	778	1204
14-020660-00 D	681	1084
14-020660-00 D	682	1085
14-020660-00 D	684	1087
14-020660-00 D	685	1088
14-020660-00 D	686	1089
14-020660-00 D	688	1091
14-020660-00 D	689	1092
14-020660-00 D	690	1093
14-020660-00 D	691	1094
14-020660-00 D	692	1095
14-020660-00 D	693	1096
14-020760-00 D	473	804
14-020760-00 D	473	805
14-020760-00 D	474	806
14-020761-00 D	473	804
14-020761-00 D	473	805
14-020761-00 D	474	806
14-020900-00 D	514	856
14-020900-00 D	515	857
14-020900-00 D	516	859
14-020900-00 D	517	860
14-020900-00 D	518	861
14-020900-00 D	519	862
14-020900-00 D	519	863
14-021120-00 D	641	1020
14-021120-00 D	642	1021
14-021280-00 DH	1016	1464
14-021280-00 DH	1030	1472
14-021280-00 DH	1032	1473
14-021280-00 DH	1035	1476
14-021280-00 DH	1036	1477
14-021280-00 DH	1044	1487
14-021280-00 DH	984	1442
14-021280-00 DH	986	1443
14-021280-00 DH	987	1444
14-021280-00 DH	989	1445

 9		
55-3875	810	1254
55-3875	811	1255
55-3875	812	1256
55-3875	813	1257
55-3875	814	1258
55-3875	816	1259
55-3875	817	1260
55-3875	818	1261
55-3875	819	1262
55-3875	821	1263
55-3875	822	1264
55-3875	823	1265
55-3875	825	1266
55-3875	826	1267
55-3875	827	1268
55-3875	828	1269
55-3875	829	1270
55-3875	830	1271
55-3875	831	1272
55-3875	833	1273
55-3875	834	1274
55-3875	843	1282
55-3984	622	991
55-3984	623	992
55-3984	623	993
55-3984	624	994
55-3984	624	995
55-3984	625	996
55-3984	626	997
55-3984	626	998
55-3984	627	999
55-3984	628	1000
55-3984	628	1001
55-3984	641	1020
55-3984	642	1021
55-3985	610	974
55-3985	611	975
55-3985	611	976
55-3985	612	977
55-3985	613	978
55-3985	614	979
55-3985	614	980
55-3985	615	981
55-3985	616	982
55-3985	616	983
55-3985	617	984
55-3985	618	985
55-3985	618	986
55-3985	619	987
55-3987	471	802
55-3987	472	803
55-3987	473	804
55-3987	473	805
55-3987	474	806
55-3987	475	807
55-4050	930	1382
55-4050	932	1384
55-4050	933	1385
55-4050	934	1386
55-4050	979	1434


 9		
55-4050	980	1435
55-4051	929	1381
55-4051	931	1383
55-4077	448	774
55-4077	448	775
55-4099	1042	1485
55-4099	1043	1486
55-4099	1044	1487
55-4099	1045	1488
55-4099	1046	1489
55-4099	1047	1490
55-4099	1048	1491
55-4099	1049	1492
55-4102	514	856
55-4102	515	857
55-4102	516	858
55-4102	516	859
55-4102	517	860
55-4102	518	861
55-4102	519	862
55-4102	519	863
55-4150	522	870
55-4186	1000	1452
55-4186	1001	1453
55-4186	1002	1454
55-4186	1002	1455
55-4186	1004	1456
55-4186	1006	1457
55-4186	1007	1458
55-4186	1009	1459
55-4186	1010	1460
55-4186	1012	1461
55-4186	1013	1462
55-4186	1014	1463
55-4186	1016	1464
55-4186	1018	1465
55-4186	1019	1466
55-4186	1020	1467
55-4186	1022	1468
55-4186	1024	1469
55-4186	1026	1470
55-4186	1028	1471
55-4186	1030	1472
55-4186	1032	1473
55-4186	1034	1474
55-4186	1035	1475
55-4186	1035	1476
55-4186	1036	1477
55-4186	1037	1478
55-4186	1039	1479
55-4186	1040	1480
55-4186	1042	1485
55-4186	1043	1486
55-4186	1044	1487
55-4186	1045	1488
55-4186	1046	1489
55-4186	1047	1490
55-4186	1048	1491
55-4186	1049	1492
55-4186	694	1097


 9		
55-4186	694	1098
55-4186	695	1099
55-4186	983	1441
55-4186	984	1442
55-4186	986	1443
55-4186	987	1444
55-4186	989	1445
55-4186	990	1446
55-4186	992	1447
55-4186	994	1448
55-4186	995	1449
55-4186	997	1450
55-4186	999	1451
55-4196	681	1084
55-4196	682	1085
55-4196	683	1086
55-4196	684	1087
55-4196	685	1088
55-4196	686	1089
55-4197	688	1091
55-4197	689	1092
55-4197	690	1093
55-4197	691	1094
55-4197	692	1095
55-4197	693	1096
55-4201	538	895
55-4201	539	896
55-4201	539	897
55-4201	541	898
55-4201	544	902
55-4201	545	903
55-4201	587	944
55-4201	588	945
55-4201	589	946
55-4201	590	947
55-4201	591	948
55-4201	592	949
55-4201	593	950
55-4264	862	1309
55-4264	863	1310
55-4264	863	1311
55-4264	864	1312
55-4264	865	1313
55-4264	865	1314
55-4264	870	1319
55-4264	870	1320
55-4264	882	1333
55-4264	883	1334
55-4264	884	1335
55-4264	884	1336
55-4264	886	1340
55-4264	886	1341
55-4264	887	1342
55-4264	888	1347
55-4264	889	1348
55-4264	891	1349
55-4264	898	1360
55-4265	537	894
55-4266	538	895
55-4266	539	896


 9		
55-4266	539	897
55-4266	542	899
55-4266	588	945
55-4288	643	1023
55-4288	643	1024
55-4294	899	1361
55-4294	901	1362
55-4294	902	1363
55-4294	904	1364
55-4294	905	1365
55-4294	907	1366
55-4294	909	1367
55-4294	910	1368
55-4294	912	1369
55-4294	913	1370
55-4294	915	1371
55-4294	916	1372
55-4294	917	1373
55-4294	919	1374
55-4294	921	1375
55-4294	922	1376
55-4294	924	1377
55-4294	925	1378
55-4294	926	1379
55-4294	928	1380
55-4299	844	1283
55-4299	845	1284
55-4299	845	1285
55-4299	846	1286
55-4299	847	1287
55-4299	847	1288
55-4299	848	1289
55-4299	849	1290
55-4299	849	1291
55-4299	850	1292
55-4299	851	1293
55-4299	852	1294
55-4299	852	1295
55-4299	853	1296
55-4299	854	1297
55-4299	854	1298
55-4299	855	1299
55-4299	855	1300
55-4299	856	1301
55-4299	857	1302
55-4299	857	1303
55-4393	665	1056
55-4393	666	1057
55-4393	666	1058
55-4393	671	1069
55-4393	672	1070
55-4393	673	1071
55-4393	674	1072
55-4393	676	1074
55-4393	677	1075
55-4393	687	1090
55-4394	784	1215
55-4394	785	1216
55-4394	809	1253
55-4394	835	1275

NUMERICAL PARTS LIST

Numerische Teilenummernliste • Elenco riferimenti
Liste des références produits

 9		
55-4394	836	1276
55-4394	837	1277
55-4394	838	1278
55-4394	839	1279
55-4394	841	1280
55-4394	842	1281
55-4499	543	900
55-4499	594	951
55-4499	595	952
55-4499	596	953
55-4562	894	1354
55-4562	895	1355
55-4562	896	1356
55-4562	897	1357
55-4562	897	1358
55-4562	898	1359
55-4821	894	1354
55-4821	895	1355
55-4821	896	1356
55-4821	897	1357
55-4821	897	1358
55-4856	766	1191
55-4856	767	1192
55-4856	768	1193
55-4856	769	1194
55-4856	770	1195
55-4856	771	1196
55-4856	772	1197
55-4856	773	1198
55-4856	774	1199
55-4856	775	1200
55-4856	776	1201
55-4856	777	1202
55-4856	778	1203
55-4856	778	1204
55-4856	779	1205
71-3627/4	550	911
71-3627/4	552	912
71-3627/4	556	916
71-3627/4	558	917
71-3627/4	559	918
71-3627/4	567	925
71-3628/4	577	935
71-3628/4	579	936
71-3628/4	580	937
71-3628/4	581	938
71-3628/4	581	939
71-3628/4	582	940
71-3730/4	543	900
71-3730/4	594	951
71-3730/4	595	952
71-3730/4	596	953
71-3733/6	1041	1481
71-3733/6	1041	1482
71-3733/6	661	1049
71-3733/6	667	1060
71-3733/6	667	1061
71-3733/6	680	1079
71-3733/6	680	1080
71-3733/6	680	1081

 9		
71-3733/6	977	1430
71-3733/6	978	1431
71-3733/6	978	1432
71-3733/6	978	1433
71-3733/6	981	1437
71-3733/6	981	1438
71-3733/6	982	1439
71-3733/6	982	1440
71-3754/4	892	1351
71-3754/4	893	1352
71-3754/5	894	1353
71-3781/4	668	1063
71-3899/4	595	952
71-3899/4	596	953
71-3951/4	668	1064
71-3951/4	669	1065
71-3951/4	670	1066
71-3951/4	670	1067
71-3952/4	610	974
71-3952/4	611	975
71-3952/4	611	976
71-3952/4	612	977
71-3952/4	613	978
71-3952/4	614	979
71-3952/4	614	980
71-3952/4	615	981
71-3952/4	616	982
71-3952/4	616	983
71-3952/4	617	984
71-3952/4	618	985
71-3952/4	618	986
71-3952/4	619	987
71-3952/4	622	991
71-3952/4	623	992
71-3952/4	623	993
71-3952/4	624	994
71-3952/4	624	995
71-3952/4	625	996
71-3952/4	626	997
71-3952/4	626	998
71-3952/4	627	999
71-3952/4	628	1000
71-3952/4	628	1001
71-3952/4	641	1020
71-3952/4	642	1021
71-3986	471	802
71-3986	472	803
71-3986	473	804
71-3986	473	805
71-3986	474	806
71-3986	475	807
71-3988/4	807	1251
71-3988/4	808	1252
71-3988/4	810	1254
71-3988/4	812	1256
71-3988/4	813	1257
71-3988/4	814	1258
71-3988/4	816	1259
71-3988/4	817	1260
71-3988/4	818	1261


 9		
71-3988/4	819	1262
71-3988/4	821	1263
71-3988/4	822	1264
71-3988/4	823	1265
71-3988/4	825	1266
71-3988/4	826	1267
71-3988/4	827	1268
71-3988/4	830	1271
71-3988/4	831	1272
71-3988/4	833	1273
71-3988/4	834	1274
71-3988/4	837	1277
71-3988/4	838	1278
71-3988/4	839	1279
71-3988/4	841	1280
71-3988/4	842	1281
71-3988/4	843	1282
71-3988/4	844	1283
71-3988/4	845	1284
71-3988/4	845	1285
71-3988/4	846	1286
71-3988/4	847	1287
71-3988/4	847	1288
71-3988/4	848	1289
71-3988/4	849	1290
71-3988/4	849	1291
71-3988/4	850	1292
71-3988/4	851	1293
71-3988/4	852	1294
71-3988/4	852	1295
71-3988/4	853	1296
71-3988/4	854	1297
71-3988/4	854	1298
71-3988/4	855	1299
71-3988/4	855	1300
71-3988/4	856	1301
71-3988/4	857	1302
71-3988/4	857	1303
71-3988/4	867	1316
71-3988/4	868	1318
71-3988/4	871	1321
71-3988/4	872	1323
71-3988/4	874	1324
71-3988/4	874	1325
71-3988/4	875	1326
71-3988/4	876	1327
71-3988/4	878	1328
71-3988/4	879	1329
71-3988/4	880	1330
71-3988/4	881	1331
71-3988/4	882	1332
71-3988/4	882	1333
71-3988/4	883	1334
71-3988/4	884	1335
71-3988/4	884	1336
71-3988/4	886	1340
71-3988/4	886	1341
71-3988/4	887	1342
71-3988/4	888	1347
71-3988/4	889	1348


 9		
71-3988/4	891	1349
71-3988/4	898	1360
71-4033/4	448	774
71-4033/4	448	775
71-4041/4	930	1382
71-4130/4	1000	1452
71-4130/4	1001	1453
71-4130/4	1002	1454
71-4130/4	1002	1455
71-4130/4	1004	1456
71-4130/4	1006	1457
71-4130/4	1007	1458
71-4130/4	1009	1459
71-4130/4	1010	1460
71-4130/4	1012	1461
71-4130/4	1013	1462
71-4130/4	1014	1463
71-4130/4	1016	1464
71-4130/4	1018	1465
71-4130/4	1019	1466
71-4130/4	1020	1467
71-4130/4	1022	1468
71-4130/4	1024	1469
71-4130/4	1026	1470
71-4130/4	1028	1471
71-4130/4	1030	1472
71-4130/4	1032	1473
71-4130/4	1034	1474
71-4130/4	1035	1475
71-4130/4	1035	1476
71-4130/4	1036	1477
71-4130/4	1037	1478
71-4130/4	1039	1479
71-4130/4	1040	1480
71-4130/4	1042	1485
71-4130/4	1043	1486
71-4130/4	1044	1487
71-4130/4	1045	1488
71-4130/4	1046	1489
71-4130/4	1047	1490
71-4130/4	1048	1491
71-4130/4	1049	1492
71-4130/4	694	1097
71-4130/4	694	1098
71-4130/4	695	1099
71-4130/4	983	1441
71-4130/4	984	1442
71-4130/4	986	1443
71-4130/4	987	1444
71-4130/4	989	1445
71-4130/4	990	1446
71-4130/4	992	1447
71-4130/4	994	1448
71-4130/4	995	1449
71-4130/4	997	1450
71-4130/4	999	1451
71-4185/4	1001	1453
71-4185/4	1002	1455
71-4185/4	1007	1458
71-4185/4	1010	1460


		9			9			9			9
71-4185/4	1022	1468	71-4311/4	827	1268	87-101507-00	846	1286	87-104207-00	804	1247
71-4185/4	1024	1469	71-4311/4	828	1269	87-101507-00	847	1288	87-104207-00	805	1248
71-4185/4	1026	1470	71-4311/4	829	1270	87-101507-00	848	1289	87-104207-00	806	1249
71-4185/4	1028	1471	71-4311/4	830	1271	87-101507-00	849	1291	87-104207-10	803	1246
71-4185/4	1030	1472	71-4311/4	831	1272	87-101507-00	850	1292	87-104207-10	804	1247
71-4185/4	1037	1478	71-4311/4	833	1273	87-101507-00	851	1293	87-104207-10	805	1248
71-4185/4	984	1442	71-4311/4	834	1274	87-101507-00	852	1295	87-104207-10	806	1249
71-4185/4	987	1444	71-4311/4	835	1275	87-101507-00	854	1297	87-104207-40	793	1231
71-4185/4	990	1446	71-4311/4	836	1276	87-101600-00	929	1381	87-104207-40	794	1232
71-4185/4	995	1449	71-4311/4	837	1277	87-101600-00	931	1383	87-105500-00	594	951
71-4185/4	997	1450	71-4311/4	838	1278	87-103500-00	809	1253	87-105500-00	595	952
71-4198/4	675	1073	71-4311/4	839	1279	87-103500-00	835	1275	87-105500-00	596	953
71-4198/4	678	1076	71-4311/4	841	1280	87-103500-00	837	1277	87-105507-00	594	951
71-4198/4	679	1078	71-4311/4	842	1281	87-103500-00	838	1278	87-105507-00	595	952
71-4243/4	766	1191	71-4311/4	843	1282	87-103500-00	841	1280	87-105507-00	596	953
71-4243/4	767	1192	71-4311/4	858	1304	87-103507-00	809	1253	87-108200-00	1049	1492
71-4243/4	768	1193	71-4311/4	859	1305	87-103507-00	835	1275	87-108200-00	695	1099
71-4243/4	769	1194	71-4311/4	860	1306	87-103507-00	837	1277	87-108208-00	1049	1492
71-4243/4	770	1195	71-4311/4	861	1307	87-103507-00	838	1278	87-108208-00	695	1099
71-4243/4	771	1196	71-4311/4	861	1308	87-103507-00	841	1280	87-112400-00	668	1063
71-4243/4	772	1197	71-4311/4	862	1309	87-103800-00	529	882	87-112407-00	668	1063
71-4243/4	773	1198	71-4311/4	863	1310	87-103800-00	530	883	87-114700-00	610	974
71-4243/4	774	1199	71-4311/4	863	1311	87-103800-00	531	884	87-114700-00	611	975
71-4243/4	775	1200	71-4311/4	864	1312	87-103800-00	532	885	87-114700-00	611	976
71-4243/4	776	1201	71-4311/4	865	1313	87-103800-00	532	886	87-114700-00	614	979
71-4243/4	777	1202	71-4311/4	865	1314	87-103806-00	529	882	87-114700-10	612	977
71-4243/4	778	1203	71-4311/4	866	1315	87-103806-00	530	883	87-114700-10	613	978
71-4243/4	778	1204	71-4311/4	867	1316	87-103806-00	531	884	87-114700-30	624	995
71-4243/4	779	1205	71-4311/4	868	1317	87-103806-00	532	885	87-114700-30	627	999
71-4246/4	514	856	71-4311/4	868	1318	87-103806-00	532	886	87-114700-40	619	987
71-4246/4	515	857	71-4311/4	871	1321	87-104000-00	544	902	87-114708-00	610	974
71-4246/4	516	858	71-4311/4	872	1322	87-104008-00	544	902	87-114708-00	611	975
71-4246/4	516	859	71-4311/4	872	1323	87-104100-00	705	1115	87-114708-00	611	976
71-4246/4	517	860	71-4311/4	874	1324	87-104100-00	707	1116	87-114708-00	614	979
71-4246/4	519	863	71-4311/4	875	1326	87-104100-00	709	1118	87-114708-10	612	977
71-4279/4	620	988	71-4311/4	876	1327	87-104100-00	711	1119	87-114708-10	613	978
71-4279/4	621	989	71-4311/4	878	1328	87-104105-00	705	1115	87-114708-30	624	995
71-4279/4	621	990	71-4311/4	879	1329	87-104105-00	707	1116	87-114708-30	627	999
71-4279/4	633	1009	71-4311/4	880	1330	87-104105-00	709	1118	87-122200-00	1047	1490
71-4279/4	634	1010	71-4311/4	881	1331	87-104105-00	711	1119	87-122200-00	1048	1491
71-4279/4	638	1016	71-4311/4	882	1332	87-104107-00	705	1115	87-122200-00	694	1098
71-4279/4	640	1019	71-4311/4	888	1347	87-104107-00	707	1116	87-122200-10	1043	1486
71-4311/4	784	1215	71-4311/4	889	1348	87-104107-00	709	1118	87-122200-10	1044	1487
71-4311/4	785	1216	71-4311/4	891	1349	87-104107-00	711	1119	87-122200-10	1046	1489
71-4311/4	808	1252	71-4744/4	932	1384	87-104200-00	803	1246	87-122208-00	1047	1490
71-4311/4	809	1253	71-4744/4	933	1385	87-104200-00	804	1247	87-122208-00	1048	1491
71-4311/4	810	1254	71-4744/4	934	1386	87-104200-00	805	1248	87-122208-00	694	1098
71-4311/4	811	1255	71-4744/4	979	1434	87-104200-00	806	1249	87-122208-10	1043	1486
71-4311/4	812	1256	71-4744/4	980	1435	87-104200-10	803	1246	87-122208-10	1044	1487
71-4311/4	813	1257	71-4940	898	1359	87-104200-10	804	1247	87-122208-10	1046	1489
71-4311/4	814	1258	87-101500-00	839	1279	87-104200-10	805	1248	87-123400-00	768	1193
71-4311/4	816	1259	87-101500-00	846	1286	87-104200-10	806	1249	87-123400-00	769	1194
71-4311/4	817	1260	87-101500-00	847	1288	87-104200-30	796	1234	87-123400-00	777	1202
71-4311/4	818	1261	87-101500-00	848	1289	87-104200-30	797	1235	87-123400-10	768	1193
71-4311/4	819	1262	87-101500-00	849	1291	87-104200-30	798	1236	87-123400-10	769	1194
71-4311/4	821	1263	87-101500-00	850	1292	87-104200-30	800	1241	87-123400-10	772	1197
71-4311/4	822	1264	87-101500-00	851	1293	87-104200-30	801	1244	87-123400-10	777	1202
71-4311/4	823	1265	87-101500-00	852	1295	87-104200-40	793	1231	87-123400-20	771	1196
71-4311/4	825	1266	87-101500-00	854	1297	87-104200-40	794	1232	87-123400-20	778	1203
71-4311/4	826	1267	87-101507-00	839	1279	87-104207-00	803	1246	87-123400-30	774	1199


NUMERICAL PARTS LIST


Nummerische Teilenummernliste • Elenco riferimenti
Liste des références produits


 9		
87-123400-30	778	1204
87-123400-40	775	1200
87-123400-40	776	1201
87-123407-00	768	1193
87-123407-00	769	1194
87-123407-00	777	1202
87-123407-10	768	1193
87-123407-10	769	1194
87-123407-10	772	1197
87-123407-10	777	1202
87-123407-20	771	1196
87-123407-20	778	1203
87-123407-30	774	1199
87-123407-30	778	1204
87-123407-40	775	1200
87-123407-40	776	1201
87-126608-00	621	990
87-127400-00	934	1386
87-127400-10	933	1385
87-127407-00	934	1386
87-127407-10	933	1385
87-135300-00	473	804
87-135300-00	473	805
87-135300-00	474	806
87-135300-10	475	807
87-135305-00	473	804
87-135305-00	473	805
87-135305-00	474	806
87-135307-00	473	804
87-135307-00	473	805
87-135307-00	474	806
87-135307-10	475	807
87-135800-00	670	1066
87-137500-10	980	1435
87-137507-10	980	1435
87-138900-10	502	844
87-138900-10	503	845
87-138900-10	504	846
87-138900-30	501	843
87-138900-30	502	844
87-138900-30	503	845
87-138900-30	504	846
87-139400-00	529	881
87-139400-00	533	887
87-139400-00	534	888
87-139407-00	529	881
87-139407-00	533	887
87-139407-00	534	888
87-152000-10	587	944
87-152000-10	588	945
87-152000-10	589	946
87-152000-10	590	947
87-152000-10	591	948
87-152000-10	592	949
87-152000-10	593	950
87-152007-10	587	944
87-152007-10	588	945
87-152007-10	589	946
87-152007-10	590	947
87-152007-10	591	948


 9		
87-152007-10	592	949
87-152007-10	593	950
87-152010-10	587	944
87-152010-10	588	945
87-152010-10	589	946
87-152010-10	590	947
87-152010-10	591	948
87-152010-10	592	949
87-152010-10	593	950
87-152700-00	671	1069
87-152700-00	672	1070
87-152700-00	673	1071
87-152700-00	674	1072
87-152700-00	676	1074
87-152700-00	677	1075
87-152700-00	678	1077
87-152700-00	687	1090
87-152707-00	671	1069
87-152707-00	672	1070
87-152707-00	673	1071
87-152707-00	674	1072
87-152707-00	676	1074
87-152707-00	677	1075
87-152707-00	678	1077
87-154300-00	465	794
87-154300-00	466	795
87-154400-00	489	828
87-154400-00	490	829
87-154400-00	491	830
87-154400-00	491	831
87-154400-00	492	832
87-154400-00	498	840
87-154400-00	499	841
87-154400-00	500	842
87-154400-00	506	848
87-154400-00	507	849
87-154400-00	510	853
87-154400-00	511	854
87-154600-00	629	1005
87-154600-00	631	1007
87-154600-00	632	1008
87-154608-00	629	1005
87-154608-00	631	1007
87-154608-00	632	1008
87-214500-00	984	1442
87-214500-00	986	1443
87-214500-00	987	1444
87-214500-00	989	1445
87-214500-00	990	1446
87-214508-00	984	1442
87-214508-00	986	1443
87-214508-00	987	1444
87-214508-00	989	1445
87-214508-00	990	1446
87-245200-30	983	1441
87-245200-40	1007	1458
87-245200-40	1010	1460
87-245200-40	1026	1470
87-245200-50	1007	1458


 9		
87-245200-50	1010	1460
87-245200-50	1026	1470
87-245200-60	1004	1456
87-245208-30	983	1441
87-245208-40	1007	1458
87-245208-40	1010	1460
87-245208-40	1026	1470
87-245208-50	1007	1458
87-245208-50	1010	1460
87-245208-50	1026	1470
87-318700-00	682	1085
87-318700-00	684	1087
87-318700-10	688	1091
87-318700-10	690	1093
87-318700-30	688	1091
87-318700-30	690	1093
87-318706-00	682	1085
87-318706-00	684	1087
87-318706-10	688	1091
87-318706-10	690	1093
87-318706-30	688	1091
87-318706-30	690	1093
87-318708-00	682	1085
87-318708-00	684	1087
87-318708-10	688	1091
87-318708-10	690	1093
87-318708-30	688	1091
87-318708-30	690	1093
87-318710-10	688	1091
87-318710-10	690	1093
87-318710-30	688	1091
87-318710-30	690	1093
87-318711-00	682	1085
87-318711-00	684	1087
87-321500-10	538	895
87-321500-10	539	897
87-321500-10	541	898
87-321500-10	542	899
87-321507-10	538	895
87-321507-10	539	897
87-321507-10	541	898
87-321507-10	542	899
87-321510-10	538	895
87-321510-10	539	897
87-321510-10	541	898
87-321510-10	542	899
87-323600-00	543	900
87-323607-00	543	900
87-325800-00	522	870
87-325806-00	522	870
87-326300-00	668	1064
87-326300-00	669	1065
87-326300-00	670	1067
87-326307-00	668	1064
87-326307-00	669	1065
87-326307-00	670	1067
87-333300-00	698	1103
87-333300-00	699	1104
87-333400-00	726	1137
87-333400-00	727	1138

 9		
87-333400-00	728	1139
87-333400-00	729	1140
87-333400-00	730	1141
87-333400-00	732	1143
87-333500-00	753	1170
87-333500-00	754	1171
87-333500-00	755	1173
87-333500-00	756	1174
87-333500-00	758	1178
87-333500-00	762	1184
87-333500-00	763	1185
87-333500-00	765	1189
87-333500-00	766	1190
87-334300-00	788	1223
87-334300-00	789	1224
87-334400-00	658	1044
87-334400-00	659	1045
87-334400-00	660	1047
87-334400-00	661	1048
87-334400-00	936	1392
87-334400-00	939	1395
87-334400-00	940	1396
87-334400-00	941	1397
87-334400-00	942	1398
87-334400-00	943	1399
87-334400-00	946	1402
87-334400-00	948	1404
87-334400-00	951	1409
87-334400-00	969	1425
87-334400-00	971	1426
87-334600-00	715	1122
87-334600-00	716	1123
87-334600-00	717	1124
87-334600-00	718	1125
87-334600-00	720	1128
87-334600-00	722	1130
87-334600-00	724	1133
87-335000-00	785	1216
87-335000-10	784	1215
87-335007-10	784	1215
87-335100-10	858	1304
87-335100-10	860	1306
87-335100-10	862	1309
87-335107-10	858	1304
87-335107-10	860	1306
87-335107-10	862	1309
87-336500-00	810	1254
87-336500-00	822	1264
87-336500-00	828	1269
87-336500-00	829	1270
87-336500-00	831	1272
87-336500-00	833	1273
87-336500-00	834	1274
87-336500-10	813	1257
87-336500-10	814	1258
87-336500-10	821	1263
87-336505-00	810	1254
87-336505-00	822	1264
87-336505-00	828	1269

 9		
87-336505-00	829	1270
87-336505-00	831	1272
87-336505-00	833	1273
87-336505-00	834	1274
87-336507-00	810	1254
87-336507-00	822	1264
87-336507-00	828	1269
87-336507-00	829	1270
87-336507-00	831	1272
87-336507-00	833	1273
87-336507-00	834	1274
87-336507-10	813	1257
87-336507-10	814	1258
87-336507-10	821	1263
87-336510-00	810	1254
87-336510-00	822	1264
87-336510-00	828	1269
87-336510-00	829	1270
87-336510-00	831	1272
87-336510-00	833	1273
87-336510-00	834	1274
87-336600-00	864	1312
87-336600-00	865	1314
87-337100-00	901	1362
87-337100-00	907	1366
87-337100-00	917	1373
87-337100-00	919	1374
87-337300-00	733	1144
87-337300-00	734	1145
87-337300-00	735	1146
87-422000-00	896	1356
87-422007-00	896	1356
87-422300-00	844	1283
87-422300-00	845	1284
87-422300-00	853	1296
87-422300-00	855	1299
87-422300-00	855	1300
87-422307-00	844	1283
87-422307-00	845	1284
87-422307-00	853	1296
87-422307-00	855	1299
87-422307-00	855	1300
87-424000-00	514	856
87-424000-00	515	857
87-424000-00	519	863
87-424008-00	514	856
87-424008-00	515	857
87-424008-00	519	863
87-425000-00	1022	1468
87-425000-00	992	1447
87-425000-00	994	1448
87-425000-00	995	1449
87-425000-00	997	1450
87-425000-10	1019	1466
87-425000-10	1020	1467
87-425008-00	1022	1468
87-425008-00	992	1447
87-425008-00	994	1448
87-425008-00	995	1449
87-425008-00	997	1450


 9		
87-425008-10	1019	1466
87-425008-10	1020	1467
87-426300-00	468	798
87-426300-00	469	799
87-427700-10	641	1020
87-427700-30	642	1021
87-427707-10	641	1020
87-432400-00	544	901
87-433600-00	518	861
87-433607-00	518	861
87-436700-00	625	996
87-520200-00	1002	1455
87-520200-00	1012	1461
87-520200-00	1013	1462
87-520200-00	1014	1463
87-520200-00	1028	1471
87-520200-00	1039	1479
87-783300-00	1016	1464
87-783300-00	1030	1472
87-783300-00	1032	1473
87-783300-00	1035	1476
87-783300-00	1036	1477
87-783308-00	1016	1464
87-783308-00	1030	1472
87-783308-00	1032	1473
87-783308-00	1035	1476
87-783308-00	1036	1477
87-783700-00	643	1023
87-783706-00	643	1023
87-783708-00	643	1023
87-854700-00	1043	1486
87-854700-00	1044	1487
87-854708-00	1043	1486
87-854708-00	1044	1487
88-152000-30	588	945
88-152000-30	589	946
88-152000-30	590	947
88-152000-30	591	948
88-154300-00	465	794
88-154300-00	466	795
88-154400-00	489	828
88-154400-00	490	829
88-154400-00	491	830
88-154400-00	491	831
88-154400-00	492	832
88-154400-00	498	840
88-154400-00	499	841
88-154400-00	500	842
88-154400-00	506	848
88-154400-00	507	849
88-154400-00	510	853
88-154400-00	511	854
89-151200-00	547	907
89-151200-00	549	909
89-151200-00	559	918
89-151200-00	562	920
89-151200-00	565	923
89-154500-30	508	851
89-154500-30	513	855
89-315300-00	602	961


 9		
89-315300-00	604	963
89-315300-00	605	964
89-316900-00	649	1035
89-316900-00	650	1036
89-316900-00	653	1039
89-316900-00	654	1040
89-316900-00	657	1043
89-316900-10	653	1039
89-316900-10	654	1040
89-316900-10	657	1043
89-322400-00	576	934
89-322400-00	577	935
89-322400-00	581	939
89-322400-00	585	942
89-322400-00	586	943
89-333300-00	698	1103
89-333300-00	699	1104
89-333500-00	753	1170
89-333500-00	754	1171
89-333500-00	755	1173
89-333500-00	756	1174
89-333500-00	758	1178
89-333500-00	765	1189
89-333500-00	766	1190
89-334300-00	788	1223
89-334300-00	789	1224
89-334400-00	658	1044
89-334400-00	659	1045
89-334400-00	660	1047
89-334400-00	661	1048
89-334400-00	939	1395
89-334400-00	940	1396
89-334400-00	941	1397
89-334400-00	942	1398
89-334400-00	943	1399
89-334400-00	946	1402
89-334400-00	948	1404
89-334400-00	951	1409
89-334600-00	715	1122
89-334600-00	717	1124
89-334600-00	718	1125
89-334600-00	720	1128
89-334600-00	722	1130
89-336400-00	738	1150
89-336400-00	739	1151
89-336400-10	741	1153
89-336400-10	743	1155
89-336400-10	745	1157
89-336400-10	747	1161
89-336400-10	748	1162
89-336400-10	749	1163
89-336400-10	750	1164
89-337000-00	905	1365
89-337000-00	916	1372
89-337000-00	922	1376
89-337000-00	926	1379
89-337000-10	909	1367
89-337000-10	910	1368
89-337000-10	912	1369
89-337000-10	925	1378


 9		
89-337100-00	901	1362
89-337100-00	907	1366
89-337100-00	917	1373
89-337100-00	919	1374
89-337300-00	733	1144
89-337300-00	734	1145
89-337300-00	735	1146
89-520300-00	599	957
A160/4	544	902
A160/4	545	903
A161/2	545	904
A161/2	546	905
A161/2	546	906
A161/2	607	968
A161/2	608	969
A161/2	608	970
A161/2	608	971
A161/2	609	972
A161/2	609	973
A167/2	929	1381
A167/2	930	1382
A167/2	931	1383
A168/2	766	1191
A168/2	767	1192
A168/2	768	1193
A168/2	769	1194
A168/2	770	1195
A168/2	771	1196
A168/2	772	1197
A168/2	773	1198
A168/2	774	1199
A168/2	775	1200
A168/2	776	1201
A168/2	777	1202
A168/2	778	1203
A168/2	778	1204
A168/2	779	1205
A177/2	697	1100
A177/2	697	1101
A177/2	697	1102
A177/2	698	1103
A177/2	699	1104
A181/4	607	967
A181/4	645	1031
A181/4	646	1032
A181/4	647	1033
A181/4	648	1034
A181/4	662	1050
A181/4	663	1051
A181/4	663	1052
A181/4	664	1053
A181/4	665	1054
A181/4	681	1084
A181/4	682	1085
A181/4	683	1086
A181/4	684	1087
A181/4	685	1088
A181/4	686	1089
A188/4	543	900
A188/4	594	951


NUMERICAL PARTS LIST


Numerische Teilenummernliste • Elenco riferimenti
Liste des références produits


 9		
A188/4	595	952
A188/4	596	953
A188/4	620	988
A188/4	621	989
A188/4	621	990
A188/4	629	1005
A188/4	630	1006
A188/4	631	1007
A188/4	632	1008
A188/4	633	1009
A188/4	634	1010
A188/4	635	1011
A188/4	635	1012
A188/4	636	1013
A188/4	637	1014
A188/4	638	1015
A188/4	638	1016
A188/4	639	1017
A188/4	639	1018
A188/4	640	1019
A195/2	715	1122
A195/2	716	1123
A195/2	717	1124
A195/2	718	1125
A195/2	719	1126
A195/2	719	1127
A195/2	720	1128
A195/2	721	1129
A195/2	722	1130
A195/2	723	1131
A195/2	723	1132
A195/2	724	1133
A195/2	725	1135
A195/2	725	1136
A195/2	726	1137
A195/2	727	1138
A195/2	729	1140
A195/2	730	1141
A195/2	731	1142
A195/2	732	1143
A195/2	733	1144
A195/2	734	1145
A195/2	735	1146
A195/2	738	1150
A195/2	739	1151
A195/2	740	1152
A195/2	741	1153
A195/2	742	1154
A195/2	743	1155
A195/2	744	1156
A195/2	745	1157
A195/2	745	1158
A195/2	746	1159
A195/2	747	1160
A195/2	747	1161
A195/2	748	1162
A195/2	749	1163
A195/2	750	1164
A195/2	750	1165
A195/2	751	1166


 9		
A195/2	751	1167
A195/2	752	1168
A195/2	752	1169
A195/2	753	1170
A195/2	754	1171
A195/2	754	1172
A195/2	755	1173
A195/2	756	1174
A195/2	756	1175
A195/2	757	1176
A195/2	757	1177
A195/2	758	1178
A195/2	759	1179
A195/2	759	1180
A195/2	760	1181
A195/2	761	1182
A195/2	761	1183
A195/2	762	1184
A195/2	763	1185
A195/2	763	1186
A195/2	764	1187
A195/2	764	1188
A195/2	765	1189
A195/2	766	1190
A195/2	780	1206
A195/2	780	1207
A195/2	781	1208
A195/2	781	1209
A195/2	782	1210
A195/2	782	1211
A195/2	783	1212
A195/2	783	1213
A195/2	784	1214
A195/2	786	1218
A195/2	786	1219
A195/2	787	1220
A195/2	787	1221
A195/2	788	1222
A195/2	788	1223
A195/2	789	1224
A195/2	793	1231
A195/2	794	1232
A198/2	643	1023
A198/2	643	1024
A199/4	597	954
A199/4	598	955
A199/4	598	956
A199/4	599	957
A199/4	602	961
A199/4	603	962
A199/4	604	963
A199/4	605	964
A199/4	606	965
A199/4	649	1035
A199/4	650	1036
A199/4	651	1037
A199/4	652	1038
A199/4	653	1039
A199/4	654	1040
A199/4	655	1041


 9		
A199/4	656	1042
A199/4	657	1043
A202/2	449	776
A202/2	456	786
A202/2	457	787
A202/2	461	790
A202/2	464	792
A202/2	464	793
A202/2	471	801
A202/2	479	816
A202/2	482	821
A202/2	735	1147
A202/2	736	1148
A203/2	449	776
A203/2	450	777
A203/2	450	778
A203/2	451	779
A203/2	451	780
A203/2	452	781
A203/2	453	782
A203/2	456	786
A203/2	457	787
A203/2	458	788
A203/2	460	789
A203/2	461	790
A203/2	462	791
A203/2	465	794
A203/2	466	795
A203/2	467	796
A203/2	468	797
A203/2	468	798
A203/2	469	799
A203/2	470	800
A203/2	479	816
A203/2	480	818
A203/2	481	819
A203/2	482	820
A203/2	482	821
A203/2	484	822
A203/2	485	823
A203/2	486	824
A203/2	487	825
A203/2	488	826
A203/2	489	827
A203/2	489	828
A203/2	490	829
A203/2	491	830
A203/2	491	831
A203/2	492	832
A203/2	493	833
A203/2	494	834
A203/2	494	835
A203/2	495	836
A203/2	496	837
A203/2	496	838
A203/2	497	839
A203/2	498	840
A203/2	499	841
A203/2	500	842
A203/2	501	843

 9		
A203/2	502	844
A203/2	503	845
A203/2	504	846
A203/2	505	847
A203/2	506	848
A203/2	507	849
A203/2	507	850
A203/2	508	851
A203/2	509	852
A203/2	510	853
A203/2	511	854
A203/2	513	855
A203/2	522	870
A203/2	527	878
A203/2	527	879
A203/2	528	880
A203/2	529	881
A203/2	529	882
A203/2	530	883
A203/2	531	884
A203/2	532	885
A203/2	532	886
A203/2	533	887
A203/2	534	888
A203/2	535	889
A203/2	535	890
A203/2	735	1147
A203/2	736	1148
A203/2	737	1149
A208/2	659	1046
A208/2	660	1047
A208/2	661	1048
A208/2	899	1361
A208/2	901	1362
A208/2	902	1363
A208/2	904	1364
A208/2	905	1365
A208/2	907	1366
A208/2	909	1367
A208/2	910	1368
A208/2	912	1369
A208/2	913	1370
A208/2	915	1371
A208/2	916	1372
A208/2	917	1373
A208/2	919	1374
A208/2	921	1375
A208/2	922	1376
A208/2	924	1377
A208/2	925	1378
A208/2	926	1379
A208/2	928	1380
A208/2	936	1392
A208/2	937	1393
A208/2	938	1394
A208/2	940	1396
A208/2	943	1399
A208/2	955	1414
A208/2	956	1415
A208/2	957	1416

		9
A208/2	958	1417
A208/2	959	1418
A208/2	961	1419
A208/2	962	1420
A208/2	964	1421
A208/2	965	1422
A208/2	966	1423
A208/2	968	1424
A208/2	969	1425
A208/2	971	1426
A208/2	973	1427
A208/2	974	1428
A208/2	976	1429
A210/2	899	1361
A210/2	901	1362
A210/2	902	1363
A210/2	904	1364
A210/2	905	1365
A210/2	907	1366
A210/2	909	1367
A210/2	910	1368
A210/2	912	1369
A210/2	913	1370
A210/2	915	1371
A210/2	916	1372
A210/2	917	1373
A210/2	919	1374
A210/2	921	1375
A210/2	922	1376
A210/2	924	1377
A210/2	925	1378
A210/2	926	1379
A210/2	928	1380
A210/2	938	1394
A210/2	939	1395
A210/2	940	1396
A210/2	941	1397
A210/2	942	1398
A210/2	943	1399
A210/2	945	1400
A210/2	945	1401
A210/2	946	1402
A210/2	947	1403
A210/2	948	1404
A210/2	948	1405
A210/2	949	1406
A210/2	950	1407
A210/2	950	1408
A210/2	951	1409
A210/2	952	1410
A210/2	952	1411
A210/2	953	1412
A210/2	954	1413
A210/2	955	1414
A210/2	957	1416
A210/2	958	1417
A210/2	959	1418
A210/2	961	1419
A210/2	962	1420
A210/2	964	1421

		9
A210/2	965	1422
A210/2	966	1423
A210/2	968	1424
A210/2	969	1425
A210/2	971	1426
A210/2	973	1427
A210/2	974	1428
A210/2	976	1429
A211/4	681	1084
A211/4	682	1085
A211/4	684	1087
A211/4	685	1088
A211/4	686	1089
A211/4	688	1091
A211/4	689	1092
A211/4	690	1093
A211/4	691	1094
A211/4	692	1095
A211/4	693	1096
A213/4	656	1042
A213/4	671	1069
A213/4	672	1070
A213/4	673	1071
A213/4	674	1072
A213/4	675	1073
A213/4	676	1074
A213/4	677	1075
A213/4	678	1076
A213/4	678	1077
A213/4	679	1078
A213/4	687	1090
A214/4	538	895
A214/4	539	896
A214/4	539	897
A214/4	541	898
A214/4	542	899
A214/4	547	907
A214/4	548	908
A214/4	549	909
A214/4	550	911
A214/4	552	912
A214/4	553	913
A214/4	554	914
A214/4	555	915
A214/4	556	916
A214/4	558	917
A214/4	559	918
A214/4	561	919
A214/4	562	920
A214/4	563	921
A214/4	564	922
A214/4	565	923
A214/4	566	924
A214/4	567	925
A214/4	569	926
A214/4	570	927
A214/4	571	928
A214/4	572	929
A214/4	573	930
A214/4	573	931

		9
A214/4	575	932
A214/4	576	933
A214/4	576	934
A214/4	577	935
A214/4	579	936
A214/4	580	937
A214/4	581	938
A214/4	581	939
A214/4	582	940
A214/4	583	941
A214/4	585	942
A214/4	586	943
A214/4	587	944
A214/4	588	945
A214/4	589	946
A214/4	590	947
A214/4	591	948
A214/4	592	949
A214/4	593	950
A214/4	610	974
A214/4	611	975
A214/4	611	976
A214/4	612	977
A214/4	613	978
A214/4	614	979
A214/4	614	980
A214/4	615	981
A214/4	616	982
A214/4	616	983
A214/4	617	984
A214/4	618	985
A214/4	618	986
A214/4	619	987
A214/4	622	991
A214/4	623	992
A214/4	623	993
A214/4	624	994
A214/4	624	995
A214/4	625	996
A214/4	626	997
A214/4	626	998
A214/4	627	999
A214/4	628	1000
A214/4	628	1001
A214/4	641	1020
A214/4	642	1021
A215/2	784	1215
A215/2	785	1216
A215/2	807	1251
A215/2	808	1252
A215/2	809	1253
A215/2	810	1254
A215/2	811	1255
A215/2	812	1256
A215/2	813	1257
A215/2	814	1258
A215/2	816	1259
A215/2	817	1260
A215/2	818	1261
A215/2	819	1262

		9
A215/2	821	1263
A215/2	822	1264
A215/2	823	1265
A215/2	825	1266
A215/2	826	1267
A215/2	827	1268
A215/2	828	1269
A215/2	829	1270
A215/2	830	1271
A215/2	831	1272
A215/2	833	1273
A215/2	834	1274
A215/2	835	1275
A215/2	836	1276
A215/2	837	1277
A215/2	838	1278
A215/2	839	1279
A215/2	841	1280
A215/2	842	1281
A215/2	843	1282
A215/2	844	1283
A215/2	845	1284
A215/2	845	1285
A215/2	846	1286
A215/2	847	1287
A215/2	847	1288
A215/2	848	1289
A215/2	849	1290
A215/2	849	1291
A215/2	850	1292
A215/2	851	1293
A215/2	852	1294
A215/2	852	1295
A215/2	853	1296
A215/2	854	1297
A215/2	854	1298
A215/2	855	1299
A215/2	855	1300
A215/2	856	1301
A215/2	857	1302
A215/2	857	1303
A215/2	858	1304
A215/2	859	1305
A215/2	860	1306
A215/2	861	1307
A215/2	861	1308
A215/2	862	1309
A215/2	863	1310
A215/2	863	1311
A215/2	864	1312
A215/2	865	1313
A215/2	865	1314
A215/2	866	1315
A215/2	867	1316
A215/2	868	1317
A215/2	868	1318
A215/2	870	1319
A215/2	870	1320
A215/2	871	1321
A215/2	872	1322


NUMERICAL PARTS LIST Numerische Teilenummernliste • Elenco riferimenti Liste des références produits


		9
A215/2	872	1323
A215/2	874	1324
A215/2	874	1325
A215/2	875	1326
A215/2	876	1327
A215/2	878	1328
A215/2	879	1329
A215/2	880	1330
A215/2	881	1331
A215/2	882	1332
A215/2	882	1333
A215/2	883	1334
A215/2	884	1335
A215/2	884	1336
A215/2	886	1340
A215/2	886	1341
A215/2	887	1342
A215/2	888	1347
A215/2	889	1348
A215/2	891	1349
A215/2	898	1360
A215/2	929	1381
A215/2	930	1382
A215/2	931	1383
A217/2	471	802
A217/2	472	803
A217/2	473	804
A217/2	473	805
A217/2	474	806
A217/2	475	807
A217/2	514	856
A217/2	515	857
A217/2	516	858
A217/2	516	859
A217/2	517	860
A217/2	518	861
A217/2	519	862
A217/2	519	863
A228/2	523	872
A228/2	524	874
A228/2	525	876
A228/2	526	877
A228/2	537	894
A289/2	932	1384
A289/2	933	1385
A289/2	934	1386
A289/2	979	1434
A289/2	980	1435
A297/2	894	1354
A297/2	895	1355
A297/2	896	1356
A297/2	897	1357
A297/2	897	1358
A297/2	898	1359
A322/2	454	783
A322/2	454	784
A322/2	455	785
AA5830	73	144
AA5830	74	145
AA5830	75	146


		9
AA5830	76	147
AA5840	73	144
AA5840	74	145
AA5840	75	146
AA5840	76	147
AA5850	73	144
AA5850	74	145
AA5850	75	146
AA5850	76	147
AA5860	73	144
AA5860	74	145
AA5860	75	146
AA5860	76	147
AA5870	73	144
AA5870	74	145
AA5870	75	146
AA5870	76	147
AA5880	73	144
AA5880	74	145
AA5880	75	146
AA5880	76	147
AB5100	420	725
AB5100	421	726
AB5100	423	732
AB5100	425	735
AB5100	426	736
AB5110	420	725
AB5110	421	726
AB5110	423	732
AB5110	425	735
AB5110	426	736
AC5011	137	226
AC5011	138	227
AC5011	139	228
AC5011	140	229
AC5011	141	230
AC5011	142	231
AC5011	146	237
AC5011	147	238
AC5011	148	239
AC5020	137	226
AC5020	138	227
AC5020	139	228
AC5020	140	229
AC5020	141	230
AC5020	142	231
AC5020	146	237
AC5020	147	238
AC5020	148	239
AC5031	137	226
AC5031	138	227
AC5031	139	228
AC5031	140	229
AC5031	141	230
AC5031	142	231
AC5031	146	237
AC5031	147	238
AC5031	148	239
AC5040	137	226
AC5040	138	227


		9
AC5040	139	228
AC5040	140	229
AC5040	141	230
AC5040	142	231
AC5040	146	237
AC5040	147	238
AC5040	148	239
AC5051	137	226
AC5051	138	227
AC5051	139	228
AC5051	140	229
AC5051	141	230
AC5051	142	231
AC5051	146	237
AC5051	147	238
AC5051	148	239
AC5061	308	540
AC5061	308	541
AC5061	309	542
AC5061	311	544
AC5061	312	545
AC5061	315	548
AC5061	316	549
AC5061	319	552
AC5061	320	553
AC5061	321	555
AC5061	322	556
AC5061	322	557
AC5061	325	560
AC5061	325	561
AC5061	326	562
AC5061	326	563
AC5061	327	564
AC5061	328	566
AC5062	308	540
AC5062	308	541
AC5062	309	542
AC5062	311	544
AC5062	312	545
AC5062	315	548
AC5062	316	549
AC5062	319	552
AC5062	320	553
AC5062	321	555
AC5062	322	556
AC5062	325	560
AC5062	325	561
AC5062	326	562
AC5062	326	563
AC5062	327	564
AC5062	328	566
AC5062	308	540
AC5062	309	542
AC5062	311	544
AC5062	312	545
AC5062	315	548
AC5062	316	549
AC5062	319	552
AC5062	320	553
AC5062	321	555
AC5062	322	556
AC5062	325	560
AC5062	325	561
AC5062	326	562
AC5062	326	563
AC5062	327	564
AC5062	328	566
AC5070	309	542
AC5070	310	543
AC5070	311	544
AC5070	313	546
AC5070	314	547
AC5070	315	548
AC5070	317	550
AC5070	318	551
AC5070	319	552

		9
AC5070	321	554
AC5070	323	558
AC5070	324	559
AC5080	309	542
AC5080	310	543
AC5080	311	544
AC5080	313	546
AC5080	314	547
AC5080	315	548
AC5080	317	550
AC5080	318	551
AC5080	319	552
AC5080	321	554
AC5080	323	558
AC5080	324	559
AC5090	309	542
AC5090	310	543
AC5090	311	544
AC5090	313	546
AC5090	314	547
AC5090	315	548
AC5090	317	550
AC5090	318	551
AC5090	319	552
AC5090	321	554
AC5090	323	558
AC5090	324	559
AC5100	257	458
AC5100	258	459
AC5100	259	462
AC5100	259	463
AC5100	262	468
AC5100	262	469
AC5100	263	470
AC5100	264	471
AC5100	264	472
AC5100	265	473
AC5100	266	475
AC5100	267	476
AC5100	267	477
AC5100	268	478
AC5100	269	480
AC5100	269	482
AC5100	270	485
AC5100	271	486
AC5100	272	488
AC5100	273	489
AC5100	273	490
AC5100	274	491
AC5100	274	492
AC5100	275	493
AC5100	275	494
AC5100	276	495
AC5100	276	497
AC5700	10	22
AC5700	10	23
AC5700	11	24
AC5700	12	25
AC5700	13	26
AC5710	10	22

		9
AC5710	10	23
AC5710	11	24
AC5710	12	25
AC5710	13	26
AD5030	286	514
AD5030	287	515
AD5030	290	519
AD5040	286	514
AD5040	287	515
AD5040	290	519
AD5050	286	514
AD5050	287	515
AD5050	290	519
AD5100	99	177
AD5130	17	35
AD5130	44	90
AD5130	45	92
AD5130	46	93
AD5130	47	95
AD5130	47	96
AD5140	17	35
AD5140	44	90
AD5140	45	92
AD5140	46	93
AD5140	47	95
AD5140	47	96
AD5150	17	35
AD5150	44	90
AD5150	45	92
AD5150	46	93
AD5150	47	95
AD5150	47	96
AD5160	17	35
AD5160	44	90
AD5160	45	92
AD5160	46	93
AD5160	47	95
AD5160	47	96
AD5170	17	35
AD5170	44	90
AD5170	45	92
AD5170	46	93
AD5170	47	95
AD5170	47	96
AD5180	63	128
AD5180	63	129
AD5180	64	131
AD5180	65	132
AD5190	379	651
AD5300	133	221
AD5300	134	222
AD5300	135	223
AD5300	136	225
AD5310	78	151
AD5490	143	233
AD5490	144	234
AD5490	149	240
AD5490	153	246
AD5490	154	247
AD5500	143	233


		9
AD5500	144	234
AD5500	149	240
AD5500	153	246
AD5500	154	247
AD5510	143	233
AD5510	144	234
AD5510	149	240
AD5510	153	246
AD5510	154	247
AD5520	143	233
AD5520	144	234
AD5520	149	240
AD5520	153	246
AD5520	154	247
AD5700	10	21
AD5700	13	27
AD5700	14	28
AD5700	19	44
AD5700	20	46
AD5700	26	59
AD5700	28	64
AD5700	29	66
AD5700	29	67
AD5700	30	68
AD5700	30	69
AD5700	30	70
AD5700	32	74
AD5700	33	75
AD5700	34	76
AD5700	35	77
AD5700	36	78
AD5700	37	80
AD5700	38	82
AD5700	40	85
AD5700	40	86
AD5700	41	87
AD5700	42	88
AD5700	43	89
AD5700	9	20
AD5710	10	21
AD5710	14	28
AD5710	19	44
AD5710	20	46
AD5710	26	59
AD5710	27	62
AD5710	28	64
AD5710	29	66
AD5710	29	67
AD5710	30	68
AD5710	30	69
AD5710	30	70
AD5710	33	75
AD5710	34	76
AD5710	34	76
AD5710	35	77
AD5710	35	77
AD5710	36	78
AD5710	37	80
AD5710	36	78
AD5710	37	80
AD5710	40	85
AD5710	40	86
AD5710	41	87
AD5710	42	88


		9
AD5710	43	89
AD5710	9	20
AD5980	208	355
AD5980	209	356
AD5980	209	357
AD5980	210	358
AD5980	211	360
AD5990	341	585
AD5990	342	586
AD5990	343	587
AD5990	352	602
AD5990	353	603
AD5990	356	609
AD5990	356	610
AD5990	358	613
AE5010	62	126
AE5010	64	130
AE5020	62	126
AE5020	64	130
AE5030	62	126
AE5030	64	130
AE5050	191	314
AE5110	353	604
AE5110	354	605
AE5110	354	606
AE5110	355	607
AE5110	355	608
AE5110	357	611
AE5110	357	612
AE5200	246	429
AE5200	247	431
AE5200	247	432
AE5200	251	437
AE5210	383	656
AE5210	384	657
AE5210	384	659
AE5220	412	712
AE5220	413	713
AE5220	413	714
AE5910	444	770
AE5910	445	772
AG5270	414	716
AG5270	414	717
AG5420	358	615
AG5420	366	632
AG5420	366	633
AG6130	444	770
AG6130	445	772
AG9030	25	57
AG9310	5	12
AG9490	246	429
AG9490	247	430
AG9490	247	431
AG9490	247	432
AG9490	248	433
AG9490	249	434
AG9490	250	435
AG9490	250	436
AG9490	251	437
AG9490	251	438


		9
AG9490	252	439
AG9490	252	441
AG9490	253	442
AG9490	253	443
AG9490	253	445
AG9490	254	447
AG9710	174	283
AG9710	386	663
AG9710	386	664
AG9720	174	283
AG9720	386	663
AG9720	386	664
AG9720	386	664
AG9730	174	283
AG9730	386	663
AG9730	386	664
AG9740	174	283
AG9740	386	663
AG9740	386	664
AG9750	170	275
AG9750	56	114
AG9760	363	623
AG9760	364	626
AG9770	387	667
AG9770	387	668
AG9780	387	667
AG9780	387	668
AG9790	387	667
AG9790	387	668
AG9800	387	667
AG9800	387	668
AG9810	387	667
AG9810	387	668
AG9820	387	667
AG9820	387	668
AH5040	173	281
AH5040	174	284
AH5040	175	285
AH5040	385	661
AH5040	386	665
AH5040	387	666
AH5050	173	281
AH5050	174	284
AH5050	175	285
AH5050	385	661
AH5050	386	665
AH5050	387	666
AH5060	173	281
AH5060	174	284
AH5060	175	285
AH5060	385	661
AH5060	386	665
AH5070	173	281
AH5070	174	284
AH5070	175	285
AH5070	385	661
AH5070	386	665
AH5070	387	666
AH5080	155	248
AH5080	155	249


NUMERICAL PARTS LIST


Nummerische Teilenummernliste • Elenco riferimenti
Liste des références produits


		 9
AH5090	155	248
AH5090	155	249
AH5100	155	248
AH5100	155	249
AH5110	155	248
AH5110	155	249
AH5170	260	465
AH5170	261	466
AH5170	261	467
AH5170	278	503
AH5730	71	141
AH5730	72	143
AH5731	71	141
AH5731	72	143
AH5732	71	141
AH5732	72	143
AH5733	71	141
AH5733	72	143
AH6330	365	628
AH6330	365	629
AH6390	169	273
AH6390	170	274
AH6400	169	273
AH6400	170	274
AH6410	169	273
AH6410	170	274
AH6440	48	98
AH6440	50	103
AH6440	50	104
AH6440	51	105
AH6440	54	110
AH6440	55	111
AH6530	77	149
AH6560	15	30
AH6560	15	31
AH6560	16	32
AH6560	16	33
AH6560	16	34
AH6570	15	30
AH6570	15	31
AH6570	16	32
AH6570	16	33
AH6570	16	34
AH6580	15	30
AH6580	15	31
AH6580	16	32
AH6580	16	33
AH6580	16	34
AH6590	15	30
AH6590	15	31
AH6590	16	32
AH6590	16	33
AH6590	16	34
AH6600	15	30
AH6600	15	31
AH6600	16	32
AH6600	16	33
AH6600	16	34
AH6630	133	220
AH6630	133	221


		 9
AH6730	171	276
AH6730	55	112
AH6730	56	113
AH6730	57	115
AH6730	57	116
AH6730	58	117
AH6760	445	771
AH6770	445	771
AH6780	211	361
AY070	164	266
AY070	165	267
AY090	162	263
AY090	163	264
AY090	163	265
AY090	166	268
AY090	166	269
AY100	162	263
AY100	163	264
AY100	163	265
AY100	166	268
AY100	166	269
AY110	31	71
AY110	31	72
AY110	32	74
AY110	35	77
AY110	36	78
AY110	41	87
AY110	42	88
AY110	43	89
AY120	59	123
AY120	60	124
AY120	61	125
AY120	62	127
AY300	416	719
AY300	416	720
AY300	417	721
AY300	418	722
AY300	419	723
AY300	420	724
AY300	427	738
AY300	429	742
AY300	430	743
AY300	431	744
AY300	432	745
AY300	433	746
AY300	434	747
AY300	434	748
AY300	435	749
AY300	435	750
AY460	171	277
AY460	172	278
AY460	172	279
AY580	420	725
AY580	421	726
AY580	423	732
AY580	425	735
AY580	426	736
AY590	415	718
AY590	420	725
AY590	421	726


		 9
AY590	421	727
AY590	423	730
AY590	423	732
AY590	424	733
AY590	424	734
AY590	425	735
AY590	426	736
AY590	428	741
AY590	436	751
AY590	436	752
AY590	437	753
AY680	443	766
AY690	443	766
AY700	443	766
AY710	282	510
AY710	285	513
AY710	301	531
AY710	302	532
AY710	306	537
AY720	282	510
AY720	285	513
AY720	301	531
AY720	302	532
AY720	306	537
AY730	281	509
AY730	282	510
AY730	285	513
AY730	301	531
AY730	302	532
AY730	306	537
BE580	416	719
BE580	416	720
BE580	417	721
BE580	418	722
BE580	419	723
BE580	420	724
BE580	427	738
BE580	427	739
BE580	429	742
BE580	430	743
BE580	431	744
BE580	432	745
BE580	433	746
BE580	434	747
BE580	434	748
BE580	435	749
BE580	435	750
BF040	156	250
BF040	156	251
BF100	18	39
BF170	49	99
BF220	132	219
BF230	129	210
BF230	129	211
BF250	129	210
BF250	129	211
BF250	130	213
BF250	131	214
BF250	176	289
BF290	2	3

		 9
BF290	2	4
BF300	59	121
BF350	206	348
BF350	206	349
BF500	186	305
BF510	187	307
BF570	58	119
BF570	58	120
BF570	59	122
BF580	176	288
BF580	186	303
BF580	186	304
BF600	187	306
BF730	238	410
BF730	245	426
BG120	184	300
BG120	185	301
BG120	410	707
BG120	411	708
BG120	411	709
BG120	411	710
BG120	412	711
BG130	184	300
BG130	185	301
BG130	410	707
BG130	411	708
BG130	411	709
BG130	411	710
BG130	412	711
BG170	180	295
BG170	182	297
BG170	183	298
BG170	389	673
BG170	390	674
BG170	391	675
BG170	391	676
BG170	392	677
BG170	393	678
BG170	393	679
BG170	394	680
BG170	395	681
BG170	396	682
BG170	396	683
BG170	397	684
BG170	397	685
BG170	402	693
BG170	403	694
BG170	404	697
BG170	405	698
BG170	405	699
BG170	406	700
BG170	407	701
BG170	409	705
BG170	410	706
BG450	193	319
BG450	194	321
BG450	195	323
BG450	196	325
BG480	18	39
BG490	49	99

			9
BG540	193	317	
BG780	65	134	
BG790	65	134	
BG800	65	134	
BG900	367	634	
BG900	368	636	
BG900	369	638	
BG900	370	640	
BG900	371	641	
BG900	372	642	
BG900	373	643	
BG900	374	645	
BG900	375	646	
BG900	376	648	
BG900	377	649	
BH080	367	634	
BH080	368	636	
BH080	369	638	
BH080	370	640	
BH080	371	641	
BH080	372	642	
BH080	373	643	
BH080	374	645	
BH080	375	646	
BH080	376	648	
BH080	377	649	
BH090	367	634	
BH090	368	636	
BH090	369	638	
BH090	370	640	
BH090	371	641	
BH090	372	642	
BH090	373	643	
BH090	374	645	
BH090	375	646	
BH090	376	648	
BH090	377	649	
BH530	220	380	
BH530	222	384	
BH530	255	452	
BH530	255	453	
BH530	257	457	
BH680	206	350	
BH680	207	351	
BH680	207	352	
BH680	207	353	
BH680	208	354	
BH680	216	371	
BH680	216	372	
BH680	216	373	
BH680	217	374	
BH680	217	375	
BH680	218	376	
BH690	219	378	
BH690	237	409	
BH690	238	411	
BH690	239	412	
BH690	239	413	
BH690	240	414	
BH690	240	415	


			9
BH690	241	416	
BH690	243	420	
BH690	243	421	
BH690	244	422	
BH690	244	423	
BH690	245	425	
BH930	181	296	
BH930	184	299	
BH950	19	43	
BH950	21	48	
BH950	21	49	
BH950	22	50	
BH950	223	388	
BH950	224	389	
BH950	24	54	
BH950	26	60	
BH950	5	10	
BH950	6	14	
BH950	7	15	
BH950	7	16	
BH950	8	17	
BH950	8	18	
BH990	196	327	
BH990	197	328	
BL610	188	310	
BL620	19	43	
BL620	21	48	
BL620	21	49	
BL620	22	50	
BL620	223	388	
BL620	224	389	
BL620	24	54	
BL620	26	60	
BL620	6	14	
BL620	7	15	
BL620	7	16	
BL620	8	17	
BL620	8	18	
BL650	100	178	
BL650	100	179	
BL650	101	180	
BL650	102	181	
BL650	105	186	
BL650	106	187	
BL650	107	188	
BL650	108	189	
BL650	147	238	
BL650	78	152	
BL650	79	153	
BL650	79	154	
BL650	80	155	
BL650	80	156	
BL650	81	157	
BL650	82	158	
BL650	83	159	
BL650	84	160	
BL650	85	161	
BL650	86	162	
BL650	87	163	
BL650	88	164	


			9
BL650	89	165	
BL650	90	166	
BL650	91	167	
BL650	92	169	
BL650	93	170	
BL650	94	171	
BL650	95	172	
BL650	96	173	
BL650	97	174	
BL650	97	175	
BL650	98	176	
BL830	194	322	
BL830	195	324	
BL910	328	567	
BL910	329	568	
BL910	330	569	
BL910	331	570	
BL910	332	571	
BL910	333	572	
BL910	334	573	
BL910	334	574	
BL910	335	575	
BL910	335	577	
BL960	256	454	
BL970	256	454	
BL980	256	454	
BM530	176	289	
BM530	177	290	
BM530	177	291	
BM530	178	292	
BM530	178	293	
BM530	179	294	
BM790	206	350	
BM790	208	354	
BM790	216	373	
BM790	217	374	
BM790	217	375	
BM790	218	376	
BN260	199	335	
BN260	199	336	
BN320	176	288	
BN320	186	303	
BN320	186	304	
BN360	241	417	
BN360	242	418	
BN360	242	419	
BN580	21	48	
BN580	21	49	
BN580	22	50	
BN580	22	51	
BN580	23	52	
BN580	23	53	
BN580	24	54	
BN580	24	55	
BN580	26	60	
BN580	5	10	
BN580	6	14	
BN580	7	15	
BN580	7	16	
BN580	8	17	


			9
BN780	176	289	
BN780	177	290	
BN780	177	291	
BN780	178	292	
BN780	179	294	
BP720	21	48	
BP720	21	49	
BP720	22	50	
BP720	22	51	
BP720	23	52	
BP720	23	53	
BP720	24	54	
BP720	24	55	
BP720	26	60	
BP720	6	14	
BP720	7	15	
BP720	7	16	
BP720	8	17	
BP760	58	119	
BP760	58	120	
BP760	59	122	
BP890	197	330	
BP890	198	331	
BP890	201	341	
BP900	197	330	
BP900	198	331	
BP900	201	341	
BP910	197	330	
BP910	198	331	
BP910	201	341	
BR070	423	730	
BR070	424	733	
BR070	436	751	
BR070	436	752	
BR070	437	753	
BR280	192	316	
BR490	14	28	
BR490	3	7	
BR490	4	8	
BR490	4	9	
BR510	100	178	
BR510	100	179	
BR510	101	180	
BR510	102	181	
BR510	103	182	
BR510	103	183	
BR510	104	184	
BR510	104	185	
BR510	105	186	
BR510	106	187	
BR510	107	188	
BR510	108	189	
BR510	79	153	
BR510	79	154	
BR510	80	155	
BR510	80	156	
BR510	81	157	
BR510	82	158	
BR510	83	159	
BR510	85	161	


NUMERICAL PARTS LIST


Numerische Teilenummernliste • Elenco riferimenti
Liste des références produits


 9		
BR510	86	162
BR510	88	164
BR510	89	165
BR510	90	166
BR510	91	167
BR510	92	169
BR510	93	170
BR510	94	171
BR510	95	172
BR510	96	173
BR510	97	174
BR510	97	175
BR510	98	176
BR630	171	277
BR630	172	278
BR630	172	279
BR780	69	138
BR780	70	139
BR780	71	140
BR790	69	138
BR790	70	139
BR790	71	140
BS010	256	454
BS020	256	454
BS030	256	454
BS520	283	511
BS520	284	512
BS520	288	516
BS520	289	518
BS520	290	520
BS520	291	521
BS520	292	522
BS520	293	523
BS520	294	524
BS520	295	525
BS520	297	527
BS520	298	528
BS520	299	529
BS520	300	530
BS520	304	535
BS520	305	536
BS520	307	538
BS530	283	511
BS530	284	512
BS530	288	516
BS530	289	518
BS530	290	520
BS530	291	521
BS530	292	522
BS530	293	523
BS530	294	524
BS530	295	525
BS530	297	527
BS530	298	528
BS530	299	529
BS530	300	530
BS530	304	535
BS530	305	536
BS530	307	538
BS530	343	588


 9		
BS530	344	589
BS530	345	590
BS530	346	592
BS530	347	593
BS530	348	594
BS530	349	595
BS530	349	596
BS530	350	597
BS530	350	598
BS540	283	511
BS540	284	512
BS540	288	516
BS540	289	518
BS540	290	520
BS540	291	521
BS540	292	522
BS540	293	523
BS540	294	524
BS540	295	525
BS540	297	527
BS540	298	528
BS540	299	529
BS540	300	530
BS540	304	535
BS540	305	536
BS540	307	538
BS730	39	84
BS810	13	27
BS810	14	28
BS810	3	7
BS810	4	8
BS810	4	9
BS820	167	270
BS820	168	271
BT080	220	380
BT080	221	382
BT080	221	383
BT080	222	384
BT080	255	452
BT080	255	453
BT080	257	457
BT800	199	335
BT800	199	336
BV140	156	252
BV140	157	253
BV140	157	254
BV140	158	255
BV140	158	256
BV140	159	257
BV140	160	259
BV140	161	260
BV140	161	261
BV140	162	262
BV140	164	266
BV150	169	272
BV160	169	272
BV190	222	385
BV190	223	386
BX390	202	343
BX390	203	344


 9		
BX390	204	345
BX390	204	346
BX390	438	758
BX390	439	760
BX390	440	761
BX390	440	762
BX390	441	763
BX390	442	764
BX390	442	765
BX390	443	767
BX390	444	769
BX400	201	342
BX400	202	343
BX400	203	344
BX400	204	345
BX400	204	346
BX400	205	347
BX400	438	758
BX400	439	760
BX400	440	761
BX400	440	762
BX400	441	763
BX400	442	764
BX400	442	765
BX400	443	767
BX400	444	769
BX410	201	342
BX410	202	343
BX410	203	344
BX410	204	345
BX410	204	346
BX410	205	347
BX410	438	758
BX410	439	760
BX410	440	761
BX410	440	762
BX410	441	763
BX410	442	764
BX410	442	765
BX410	443	767
BX410	444	769
BX420	201	342
BX420	202	343
BX420	203	344
BX420	204	345
BX420	204	346
BX420	205	347
BX420	438	758
BX420	439	760
BX420	440	761
BX420	440	762
BX420	440	763
BX420	442	764
BX420	442	765
BX420	443	767
BX420	444	769
BX560	399	689
BX560	408	703
BX570	400	690
BX570	407	702

 9		
BX580	398	686
BX580	398	687
BX580	401	692
BX580	404	696
BX590	403	695
BX600	338	581
BX600	338	582
BX600	339	583
BX600	340	584
BX600	343	588
BX600	344	589
BX600	345	590
BX600	346	592
BX600	347	593
BX600	348	594
BX600	349	595
BX600	349	596
BX600	350	597
BX600	350	598
BX610	336	578
BX610	336	579
BX610	337	580
BX620	359	616
BX630	212	363
BX630	213	364
BX630	213	365
BX630	214	366
BX630	214	367
BX651	360	619
BX651	361	620
BX720	225	390
BX720	226	391
BX720	226	392
BX720	227	393
BX720	227	394
BX720	228	395
BX720	228	396
BX720	229	397
BX720	230	398
BX720	230	399
BX720	231	400
BX720	232	402
BX720	233	403
BX720	234	404
BX720	235	406
BX720	236	407
BX730	225	390
BX730	226	391
BX730	226	392
BX730	227	393
BX730	227	394
BX730	228	395
BX730	228	396
BX730	229	397
BX730	230	398
BX730	230	399
BX730	231	400
BX730	232	402
BX730	233	403
BX730	234	404

			9
BX730	235	406	
BX730	236	407	
BX740	222	385	
BX740	223	386	
BX830	66	135	
BX830	67	136	
BX830	68	137	
BX840	66	135	
BX840	67	136	
BX840	68	137	
BX850	66	135	
BX850	67	136	
BX850	68	137	
BX860	66	135	
BX860	67	136	
BX860	68	137	
BX870	66	135	
BX870	67	136	
BX870	68	137	
BX880	110	191	
BX880	111	192	
BX880	112	193	
BX880	113	194	
BX880	114	195	
BX880	128	209	
BX890	110	191	
BX890	111	192	
BX890	112	193	
BX890	113	194	
BX890	114	195	
BX890	128	209	
BX900	110	191	
BX900	111	192	
BX900	112	193	
BX900	113	194	
BX900	114	195	
BX900	128	209	
BX910	110	191	
BX910	111	192	
BX910	112	193	
BX910	113	194	
BX910	114	195	
BX910	128	209	
BX920	110	191	
BX920	111	192	
BX920	112	193	
BX920	113	194	
BX920	114	195	
BX920	128	209	
BX930	115	196	
BX930	116	197	
BX930	117	198	
BX930	118	199	
BX930	119	200	
BX930	121	202	
BX930	122	203	
BX930	123	204	
BX930	124	205	
BX930	125	206	
BX930	126	207	


			9
BX930	127	208	
BX940	115	196	
BX940	116	197	
BX940	117	198	
BX940	118	199	
BX940	119	200	
BX940	121	202	
BX940	122	203	
BX940	123	204	
BX940	124	205	
BX940	125	206	
BX940	126	207	
BX940	127	208	
BX950	115	196	
BX950	116	197	
BX950	117	198	
BX950	118	199	
BX950	119	200	
BX950	121	202	
BX950	122	203	
BX950	123	204	
BX950	124	205	
BX950	125	206	
BX950	126	207	
BX950	127	208	
BX960	115	196	
BX960	116	197	
BX960	117	198	
BX960	118	199	
BX960	119	200	
BX960	121	202	
BX960	122	203	
BX960	123	204	
BX960	124	205	
BX960	125	206	
BX960	126	207	
BX960	127	208	
BX970	115	196	
BX970	116	197	
BX970	117	198	
BX970	118	199	
BX970	119	200	
BX970	121	202	
BX970	122	203	
BX970	123	204	
BX970	124	205	
BX970	125	206	
BX970	126	207	
BX970	127	208	
BX980	115	196	
BX980	116	197	
BX980	117	198	
BX980	118	199	
BX980	119	200	
BX980	121	202	
BX980	122	203	
BX980	123	204	
BX980	124	205	
BX980	125	206	
BX980	126	207	


			9
BY980	127	208	
BY030	237	408	
BY030	277	500	
BY030	278	502	
BY030	279	504	
BY030	280	505	
BY030	280	506	
BY070	378	650	
BY070	380	652	
BY070	381	653	
BY070	382	655	
BY080	378	650	
BY080	380	652	
BY080	381	653	
BY080	382	655	
BY120	39	84	
BY130	27	61	
BY130	32	73	
BY130	35	77	
BY130	37	79	
BY130	37	80	
BY140	189	311	
BY140	190	312	
BY140	192	315	
BY150	52	107	
BY150	53	108	
BY150	54	109	
BY170	27	61	
BY170	31	71	
BY170	31	72	
BY170	32	73	
BY180	59	123	
BY180	60	124	
BY180	61	125	
BY180	62	127	
BY310	160	258	
BY310	160	259	
BY320	157	253	
BY320	157	254	
BY320	158	255	
BY320	158	256	
BY320	159	257	
BY320	160	258	
BY320	160	259	
BY320	161	260	
BY320	161	261	
BY320	162	262	
BY361	361	621	
BY900	219	377	
BY930	150	241	
BY930	151	242	
BY930	152	243	
BY941	150	241	
BY941	151	242	
BY941	152	243	
BY950	150	241	
BY950	151	242	
BY950	152	243	
BY961	150	241	
BY961	151	242	


			9
BY961	152	243	
BY970	150	241	
BY970	151	242	
BY970	152	243	
BY981	150	241	
BY981	151	242	
BY981	152	243	
CA5830	73	144	
CA5830	74	145	
CA5830	75	146	
CA5830	76	147	
CAM354	109	190	
CAM354	110	191	
CAM354	111	192	
CAM354	112	193	
CAM354	113	194	
CAM354	114	195	
CAM354	120	201	
CAM354	124	205	
CAM354	125	206	
CAM354	126	207	
CAM354	128	209	
CAM354	66	135	
CAM354	68	137	
CAM373	109	190	
CAM373	110	191	
CAM373	111	192	
CAM373	112	193	
CAM373	113	194	
CAM373	114	195	
CAM373	116	197	
CAM373	117	198	
CAM373	118	199	
CAM373	119	200	
CAM373	120	201	
CAM373	123	204	
CAM373	124	205	
CAM373	125	206	
CAM373	126	207	
CAM373	128	209	
CAM373	66	135	
CAM373	68	137	
CAM373	71	140	
CAM373	73	144	
CAM373	75	146	
CAM373	76	147	
CAM378	79	153	
CAM378	79	154	
CAM378	81	157	
CAM378	91	167	
CAM378	92	169	
CAM378	93	170	
CAM378	94	171	
CAM408	18	41	
CAM436	374	645	
CAM436	375	646	
CAM436	377	649	
CAM444	69	138	
CAM444	70	139	
CAM459	106	187	


NUMERICAL PARTS LIST


Numerische Teilenummernliste • Elenco riferimenti
Liste des références produits


 9		
CAM461	39	84
CAM461	52	107
CAM461	53	108
CAM461	54	109
CAM540	10	21
CAM540	172	278
CAM540	19	43
CAM540	2	4
CAM540	21	48
CAM540	21	49
CAM540	22	50
CAM540	224	389
CAM540	23	52
CAM540	23	53
CAM540	25	56
CAM540	27	62
CAM540	3	6
CAM540	5	10
CAM540	6	13
CAM540	6	14
CAM540	7	15
CAM540	7	16
CAM540	8	17
CAM540	8	18
CAM664	282	510
CAM664	285	513
CAM664	286	514
CAM664	287	515
CAM664	290	519
CAM664	307	538
CAM665	379	651
CAM674	150	241
CAM674	151	242
CAM674	152	243
CAM676	190	312
CAM676	192	315
CAM677	189	311
CAM678	191	314
CAM679	137	226
CAM679	138	227
CAM679	144	234
CAM679	146	237
CAM679	147	238
CAM681	202	343
CAM681	203	344
CAM681	204	345
CAM681	444	769
CAM687	382	655
CAM689	294	524
CAM689	295	525
CAM689	297	527
CAM689	298	528
CAM689	299	529
CAM689	300	530
CAM689	304	535
CAM689	305	536
CAM690	306	537
CAM706	307	539
CAM706	312	545
CAM706	316	549


 9		
CAM706	318	551
CAM706	321	554
CAM706	321	555
CAM706	322	556
CAM706	323	558
CAM706	324	559
CAM706	325	560
CAM706	326	562
CAM706	326	563
CAM718	194	321
CAM718	431	744
CAM718	434	747
CAM718	435	749
CAM726	15	30
CAM726	15	31
CAM727	257	458
CAM727	258	459
CAM727	263	470
CAM727	264	471
CAM727	266	475
CAM727	267	476
CAM727	268	478
CAM727	269	482
CAM728	257	458
CAM728	258	459
CAM728	263	470
CAM728	264	471
CAM728	266	475
CAM728	267	476
CAM728	268	478
CAM728	269	482
CAM729	277	500
CAM729	278	502
CAM729	280	505
CAM731	28	65
CAM731	29	67
CAM731	33	75
CAM731	34	76
CAM731	35	77
CAM731	40	85
CAM732	33	75
CAM732	34	76
CAM732	35	77
CAM733	13	27
CAM733	14	28
CAM733	33	75
CAM733	34	76
CAM733	35	77
CAM736	246	429
CAM736	247	432
CAM736	249	434
CAM736	251	438
CAM746	44	90
CAM747	44	90
CAM748	139	228
CAM748	141	230
CAM748	149	240
CAM749	139	228
CAM749	141	230
CAM749	149	240


 9		
CAM750	140	229
CAM750	153	246
CAM750	154	247
CAM751	140	229
CAM751	153	246
CAM751	154	247
CAM753	310	543
CAM753	314	547
CAM753	317	550
CAM757	378	650
CAM757	381	653
CAM758	284	512
CAM759	284	512
CAM760	306	537
CAM761	306	537
CAM762	301	531
CAM910	56	113
CAM911	56	113
CAM921	246	429
CAM921	247	432
CAM921	249	434
CAM921	251	438
CC5010	137	226
CC5010	138	227
CC5010	139	228
CC5010	140	229
CC5010	141	230
CC5010	142	231
CC5010	146	237
CC5010	147	238
CC5010	148	239
CC5011	137	226
CC5011	138	227
CC5011	139	228
CC5011	140	229
CC5011	141	230
CC5060	308	540
CC5060	308	541
CC5060	309	542
CC5060	310	543
CC5060	311	544
CC5060	312	545
CC5060	313	546
CC5060	314	547
CC5060	315	548
CC5060	316	549
CC5060	317	550
CC5060	318	551
CC5060	319	552
CC5060	320	553
CC5060	321	554
CC5060	321	555
CC5060	322	556
CC5060	322	557
CC5060	323	558
CC5060	324	559
CC5060	325	560
CC5060	326	563
CC5060	327	564
CC5060	328	566

 9		
CC5100	258	459
CC5100	259	463
CC5100	264	471
CC5100	264	472
CC5100	266	475
CC5100	267	476
CC5100	267	477
CC5100	268	478
CC5100	269	480
CC5100	269	482
CC5110	262	468
CC5110	262	469
CC5110	270	485
CC5110	272	488
CC5110	273	489
CC5110	273	490
CC5110	274	491
CC5110	274	492
CC5110	275	493
CC5110	276	495
CC5700	10	22
CC5700	11	24
CC5700	12	25
CC5700	13	26
CD5100	99	177
CD5130	15	30
CD5130	15	31
CD5130	16	32
CD5130	16	33
CD5140	17	35
CD5140	44	90
CD5140	46	93
CD5140	47	95
CD5140	47	96
CD5180	63	129
CD5180	65	132
CD5190	379	651
CD5300	134	222
CD5300	135	223
CD5300	135	224
CD5300	136	225
CD5310	78	151
CD5490	153	245
CD5490	153	246
CD5490	154	247
CD5500	144	234
CD5500	149	240
CD5980	208	355
CD5980	209	356
CD5980	209	357
CD5980	210	358
CD5980	211	360
CD5981	208	355
CD5981	209	356
CD5981	209	357
CD5981	210	358
CD5991	341	585
CD5991	342	586
CD5991	343	587
CD5991	352	602

			9
CD5991	358	613	
CE5010	62	126	
CE5010	64	130	
CE5050	191	314	
CE5110	353	604	
CE5110	354	605	
CE5110	355	607	
CE5110	355	608	
CE5110	357	611	
CE5110	357	612	
CE5111	354	606	
CE5200	246	429	
CE5200	247	430	
CE5200	247	431	
CE5200	247	432	
CE5200	248	433	
CE5200	249	434	
CE5200	250	436	
CE5200	251	437	
CE5200	251	438	
CE5200	252	441	
CE5210	383	656	
CE5210	384	657	
CE5210	384	659	
CE5210	412	712	
CE5210	413	713	
CG5270	414	716	
CG5270	414	717	
CG5420	358	615	
CG5420	366	632	
CG5420	366	633	
CG7880	219	377	
CG9030	25	57	
CG9310	5	12	
CG9710	174	283	
CG9710	386	663	
CG9710	386	664	
CG9720	174	283	
CG9720	386	663	
CG9720	386	664	
CG9720	386	664	
CG9740	174	283	
CG9740	386	663	
CG9740	386	664	
CG9750	170	275	
CG9750	171	276	
CG9760	363	623	
CG9760	364	626	
CG9770	387	667	
CG9770	387	668	
CH5040	173	281	
CH5040	174	284	
CH5040	175	285	
CH5040	385	661	
CH5040	386	665	
CH5040	387	666	
CH5060	173	281	
CH5060	174	284	
CH5060	175	285	
CH5060	385	661	
CH5060	386	665	


			9
CH5060	387	666	
CH5730	71	141	
CH5730	72	142	
CH5730	72	143	
CH6390	169	273	
CH6390	170	274	
CH6440	48	98	
CH6440	51	105	
CH6440	54	110	
CH6440	55	111	
CH6530	77	149	
CH6530	77	150	
CH6730	55	112	
CH6730	56	113	
CH6730	56	114	
CH6730	57	115	
CH6730	57	116	
CH6730	58	117	
CKS2354	109	190	
CKS2354	110	191	
CKS2354	111	192	
CKS2354	112	193	
CKS2354	113	194	
CKS2354	114	195	
CKS2354	120	201	
CKS2354	124	205	
CKS2354	125	206	
CKS2354	126	207	
CKS2354	128	209	
CKS2354	66	135	
CKS2354	68	137	
CKS2373	109	190	
CKS2373	110	191	
CKS2373	111	192	
CKS2373	112	193	
CKS2373	113	194	
CKS2373	114	195	
CKS2373	116	197	
CKS2373	117	198	
CKS2373	120	201	
CKS2373	123	204	
CKS2373	124	205	
CKS2373	125	206	
CKS2373	126	207	
CKS2373	128	209	
CKS2373	66	135	
CKS2373	68	137	
CKS2373	71	140	
CKS2373	73	144	
CKS2373	75	146	
CKS2373	76	147	
CKS2381	374	645	
CKS2381	375	646	
CKS2381	377	649	
CKS7540	10	21	
CKS7540	172	278	
CKS7540	19	43	
CKS7540	2	4	
CKS7540	21	48	
CKS7540	21	49	


			9
CKS7540	22	50	
CKS7540	224	389	
CKS7540	23	52	
CKS7540	23	53	
CKS7540	25	56	
CKS7540	27	62	
CKS7540	3	6	
CKS7540	5	10	
CKS7540	6	13	
CKS7540	6	14	
CKS7540	7	15	
CKS7540	7	16	
CKS7540	8	17	
CKS7540	8	18	
CKS9378	79	153	
CKS9378	79	154	
CKS9378	81	157	
CKS9378	91	167	
CKS9378	92	169	
CKS9378	93	170	
CKS9378	94	171	
CY070	164	266	
CY070	165	267	
CY080	158	256	
CY080	159	257	
CY081	157	253	
CY081	158	255	
CY081	161	261	
CY082	157	254	
CY090	162	263	
CY090	163	264	
CY090	163	265	
CY090	166	268	
CY090	166	269	
CY130	85	161	
CY130	86	162	
CY130	98	176	
CY131	98	176	
CY140	54	109	
DE680	443	766	
DE588	416	719	
DE588	416	720	
DE588	417	721	
DE588	418	722	
DE588	419	723	
DF044	156	250	
DF050	17	36	
DF106	18	39	
DF106	49	99	
DF107	18	39	
DF107	49	99	
DF107	9	19	
DF180	103	182	
DF180	103	183	
DF180	104	184	
DF180	104	185	
DF220	132	219	
DF230	129	210	
DF300	59	121	
DF351	206	349	


			9
DF490	18	38	
DF490	18	40	
DF572	58	119	
DF572	58	120	
DF572	59	122	
DF580	176	288	
DF580	186	303	
DF580	186	304	
DF731	238	410	
DF731	245	426	
DF871	256	455	
DF873	257	456	
DG050	175	286	
DG050	175	287	
DG050	176	288	
DG050	185	302	
DG050	186	303	
DG050	186	304	
DG050	197	329	
DG050	197	330	
DG050	198	331	
DG052	198	331	
DG052	200	339	
DG052	200	340	
DG052	201	341	
DG120	184	300	
DG120	185	301	
DG120	410	707	
DG120	411	708	
DG120	411	709	
DG152	255	451	
DG154	255	450	
DG170	392	677	
DG170	393	678	
DG170	393	679	
DG170	394	680	
DG170	395	681	
DG170	396	682	
DG170	396	683	
DG170	397	684	
DG170	397	685	
DG170	405	698	
DG170	406	700	
DG170	407	701	
DG171	180	295	
DG171	182	297	
DG171	183	298	
DG173	389	673	
DG173	390	674	
DG173	391	675	
DG173	391	676	
DG173	392	677	
DG173	393	678	
DG173	393	679	
DG173	394	680	
DG173	395	681	
DG173	396	682	
DG173	396	683	
DG173	397	684	
DG173	397	685	


NUMERICAL PARTS LIST


Numerische Teilenummernliste • Elenco riferimenti
Liste des références produits


 9		
DG173	402	693
DG173	403	694
DG173	404	697
DG173	405	699
DG173	406	700
DG173	407	701
DG173	409	705
DG173	410	706
DG210	19	42
DG210	48	97
DG452	187	307
DG452	195	323
DG452	196	325
DG542	187	306
DG542	193	317
DH080	367	634
DH080	368	636
DH080	369	638
DH080	370	640
DH080	371	641
DH080	372	642
DH080	373	643
DH080	374	645
DH080	375	646
DH080	376	648
DH080	377	649
DH681	207	351
DH681	207	352
DH681	207	353
DH681	217	375
DH683	206	350
DH683	208	354
DH683	216	373
DH683	217	374
DH683	218	376
DH687	206	350
DH687	208	354
DH687	216	373
DH687	217	374
DH687	217	375
DH687	218	376
DH687	219	378
DH687	240	415
DH687	241	416
DH687	243	420
DH687	243	421
DH687	244	422
DH690	219	378
DH690	237	409
DH690	238	411
DH690	239	412
DH690	239	413
DH690	240	414
DH690	240	415
DH690	241	416
DH690	243	420
DH690	243	421
DH690	244	422
DH690	245	425
DH692	240	415
DH692	241	416


 9		
DH692	243	420
DH692	243	421
DH693	219	378
DH693	240	415
DH693	241	416
DH693	243	420
DH693	243	421
DH890	199	337
DH890	200	338
DH957	223	388
DH957	224	389
DJ720	110	191
DJ720	111	192
DJ720	112	193
DJ720	113	194
DJ720	114	195
DJ720	115	196
DJ720	116	197
DJ720	117	198
DJ720	118	199
DJ720	119	200
DJ720	121	202
DJ720	122	203
DJ720	123	204
DJ720	124	205
DJ720	125	206
DJ720	126	207
DJ720	127	208
DJ720	128	209
DJ720	66	135
DJ720	67	136
DJ720	68	137
DL650	100	178
DL650	100	179
DL650	101	180
DL650	102	181
DL650	78	152
DL650	80	155
DL650	80	156
DL650	81	157
DL650	82	158
DL650	83	159
DL650	87	163
DL650	88	164
DL650	89	165
DL650	90	166
DL650	91	168
DL650	92	169
DL650	93	170
DL650	94	171
DL650	96	173
DL651	97	174
DL831	194	322
DL831	195	324
DL910	328	567
DL910	329	568
DL910	330	569
DL910	331	570
DL910	332	571
DL910	333	572


 9		
DL910	334	573
DL910	334	574
DL910	335	575
DL910	335	577
DL961	256	454
DL961	282	510
DL961	283	511
DL961	284	512
DL961	285	513
DL961	286	514
DL961	287	515
DL961	288	516
DL961	289	518
DL961	290	519
DL961	290	520
DL961	291	521
DL961	292	522
DL961	293	523
DL961	294	524
DL961	295	525
DL961	297	527
DL961	298	528
DL961	299	529
DL961	300	530
DL961	304	535
DL961	305	536
DL961	307	538
DM530	176	289
DM530	177	290
DM530	177	291
DM530	178	292
DM530	179	294
DM533	131	216
DM533	132	217
DM533	176	289
DM533	177	290
DM533	177	291
DM533	178	292
DM533	179	294
DM710	130	212
DN360	241	417
DN360	242	418
DN360	242	419
DN361	241	417
DN361	242	418
DN361	242	419
DN571	19	43
DN571	2	3
DN571	2	4
DN571	6	14
DN571	7	15
DN571	7	16
DN571	8	17
DN571	8	18
DN582	21	48
DN582	21	49
DN582	22	50
DN582	24	54
DN582	26	60
DN582	5	10

 9		
DN590	100	178
DN590	100	179
DN590	101	180
DN590	102	181
DN590	105	186
DN590	106	187
DN590	107	188
DN590	108	189
DN590	79	153
DN590	79	154
DN590	80	155
DN590	80	156
DN590	81	157
DN590	82	158
DN590	83	159
DN590	88	164
DN590	89	165
DN590	90	166
DN590	91	167
DN590	92	169
DN590	93	170
DN590	94	171
DN590	95	172
DN590	96	173
DR510	103	182
DR510	103	183
DR510	104	184
DR510	104	185
DR630	171	277
DR630	172	278
DR630	172	279
DS381	420	725
DS381	421	726
DS381	421	727
DS381	422	729
DS381	423	730
DS381	423	732
DS381	424	733
DS381	425	735
DS381	426	736
DS381	428	741
DS381	436	751
DS381	436	752
DS381	437	753
DS580	225	390
DS580	226	391
DS580	226	392
DS580	227	393
DS580	227	394
DS580	234	404
DS580	234	405
DS731	39	84
DS810	3	7
DS810	4	8
DS810	4	9
DS820	162	262
DS820	167	270
DS820	168	271
DT010	10	21
DT010	13	27

		9
DT010	14	28
DT010	26	59
DT010	27	62
DT010	28	64
DT010	28	65
DT010	30	70
DT010	32	74
DT010	35	77
DT010	36	78
DT010	37	79
DT010	37	80
DT010	38	81
DT010	38	82
DT010	40	85
DT010	40	86
DT010	41	87
DT010	42	88
DT010	43	89
DT010	9	20
DT012	10	21
DT012	13	27
DT012	14	28
DT012	26	59
DT012	27	62
DT012	28	64
DT012	3	7
DT012	30	68
DT012	30	69
DT012	30	70
DT012	32	74
DT012	33	75
DT012	34	76
DT012	35	77
DT012	36	78
DT012	37	80
DT012	4	8
DT012	4	9
DT012	40	85
DT012	40	86
DT012	41	87
DT012	9	20
DT013	19	44
DT013	20	46
DV150	150	241
DV150	151	242
DV150	152	243
DV150	169	272
DV190	222	385
DV190	223	386
DW040	423	732
DX390	439	759
DX390	439	760
DX391	439	759
DX391	439	760
DX391	440	761
DX391	444	769
DX392	204	345
DX392	204	346
DX400	442	764
DX400	442	765


		9
DX400	443	767
DX560	399	689
DX560	408	703
DX570	400	690
DX570	407	702
DX580	398	686
DX580	398	687
DX580	401	692
DX580	404	696
DX590	403	695
DX600	338	581
DX600	338	582
DX600	339	583
DX600	340	584
DX600	343	588
DX600	344	589
DX600	345	590
DX600	346	592
DX600	347	593
DX600	348	594
DX600	349	595
DX600	349	596
DX600	350	597
DX600	350	598
DX610	336	578
DX610	336	579
DX610	337	580
DX620	359	616
DX630	212	363
DX630	213	364
DX630	213	365
DX630	214	366
DX630	214	367
DX651	222	385
DX651	223	386
DX652	360	619
DX652	361	620
DX720	225	390
DX720	226	391
DX720	226	392
DX720	227	393
DX720	227	394
DX720	228	395
DX720	230	399
DX720	231	400
DX720	232	402
DX720	233	403
DX720	234	404
DX721	236	407
DX722	228	396
DX722	229	397
DX722	235	406
DY030	277	500
DY030	278	502
DY030	279	504
DY030	280	505
DY040	301	531
DY040	302	532
DY070	378	650
DY070	380	652


		9
DY070	381	653
DY070	382	655
DY130	20	45
DY130	27	61
DY130	31	71
DY130	31	72
DY130	32	73
DY130	32	74
DY130	59	123
DY130	61	125
DY130	62	127
DY140	189	311
DY140	190	312
DY140	192	315
DY150	52	107
DY150	53	108
DY150	54	109
DY310	160	258
DY310	160	259
DY310	161	260
DY900	219	377
EA140	705	1115
EA140	707	1116
EA140	708	1117
EA140	709	1118
EA140	711	1119
EA140	712	1120
EA140	713	1121
EA150	745	1157
EA150	749	1163
EA150	750	1164
EA150	750	1165
EA220	804	1247
EA220	805	1248
EA220	806	1249
EA5620	892	1351
EA5830	544	902
EA5830	545	903
EA5830	610	974
EA5830	611	975
EA5830	611	976
EA5830	612	977
EA5830	613	978
EA5830	614	979
EA5830	614	980
EA5830	615	981
EA5830	616	983
EA5830	618	985
EA5830	618	986
EA5830	619	987
EA5970	641	1020
EA5970	642	1021
EC5060	807	1251
EC5060	808	1252
EC5060	811	1255
EC5060	812	1256
EC5060	813	1257
EC5060	814	1258
EC5060	816	1259
EC5060	819	1262


		9
EC5060	821	1263
EC5060	825	1266
EC5060	826	1267
EC5060	837	1277
EC5060	838	1278
EC5060	839	1279
EC5060	841	1280
EC5060	842	1281
EC5060	844	1283
EC5060	845	1284
EC5060	845	1285
EC5060	846	1286
EC5060	847	1287
EC5060	847	1288
EC5060	848	1289
EC5060	849	1290
EC5060	849	1291
EC5060	850	1292
EC5060	852	1295
EC5060	853	1296
EC5060	855	1299
EC5060	855	1300
EC5060	857	1302
EC5060	874	1325
EC5060	881	1331
EC5060	891	1349
EC5061	854	1298
EC5061	855	1299
EC5061	857	1302
EC5063	844	1283
EC5063	845	1284
EC5063	845	1285
EC5063	846	1286
EC5063	847	1287
EC5063	847	1288
EC5063	848	1289
EC5063	849	1290
EC5063	849	1291
EC5063	850	1292
EC5063	851	1293
EC5063	852	1294
EC5063	852	1295
EC5063	853	1296
EC5063	855	1300
EC5063	874	1325
EC5063	881	1331
EC5063	891	1349
EC5700	467	796
EC5700	468	798
EC5700	469	799
ED5130	471	802
ED5130	473	805
ED5130	474	806
ED5130	475	807
ED5180	533	887
ED5180	535	890
ED5300	546	905
ED5300	546	906
ED5300	607	968
ED5300	609	972


NUMERICAL PARTS LIST


Numerische Teilenummernliste • Elenco riferimenti
Liste des références produits


				9
ED5300	609	973		
ED5490	623	992		
ED5490	624	994		
ED5490	624	995		
ED5490	627	999		
ED5500	616	982		
ED5500	616	983		
ED5991	870	1319		
ED5991	870	1320		
ED5991	882	1333		
ED5991	883	1334		
ED5991	884	1335		
ED5991	886	1340		
ED5991	886	1341		
ED5991	887	1344		
ED5991	888	1345		
ED5991	898	1360		
EE5110	884	1336		
EE5110	885	1337		
EE5110	885	1338		
EE5110	886	1339		
EE5110	887	1342		
EE5110	887	1343		
EE5200	768	1193		
EE5200	769	1194		
EE5200	771	1196		
EE5200	772	1197		
EE5200	773	1198		
EE5200	774	1199		
EE5200	775	1200		
EE5220	932	1384		
EE5220	933	1385		
EE5220	934	1386		
EE5220	979	1434		
EE5220	980	1435		
EF102	477	813		
EF102	520	865		
EF102	521	866		
EF380	727	1138		
EF380	729	1140		
EF380	762	1184		
EF580	607	967		
EF580	645	1031		
EF580	647	1033		
EF580	648	1034		
EF580	662	1050		
EF580	663	1052		
EF580	664	1053		
EF580	665	1054		
EF731	751	1167		
EF731	752	1168		
EF731	752	1169		
EF870	782	1211		
EF870	783	1212		
EF870	786	1218		
EF870	789	1225		
EG150	780	1206		
EG150	782	1210		
EG176	899	1361		
EG176	905	1365		


				9
EG176	907	1366		
EG176	910	1368		
EG176	912	1369		
EG176	916	1372		
EG176	917	1373		
EG176	919	1374		
EG176	925	1378		
EG176	926	1379		
EG176	928	1380		
EG176	937	1393		
EG176	938	1394		
EG176	939	1395		
EG176	940	1396		
EG176	941	1397		
EG176	942	1398		
EG176	943	1399		
EG176	945	1400		
EG176	945	1401		
EG176	946	1402		
EG176	947	1403		
EG176	948	1404		
EG176	948	1405		
EG176	949	1406		
EG176	950	1407		
EG176	950	1408		
EG176	951	1409		
EG176	952	1410		
EG176	952	1411		
EG176	953	1412		
EG176	954	1413		
EG176	955	1414		
EG176	956	1415		
EG176	957	1416		
EG176	958	1417		
EG176	959	1418		
EG176	961	1419		
EG176	962	1420		
EG176	964	1421		
EG176	965	1422		
EG176	966	1423		
EG176	968	1424		
EG176	969	1425		
EG176	971	1426		
EG176	973	1427		
EG176	974	1428		
EG176	976	1429		
EG7950	704	1112		
EG7950	704	1113		
EG7950	705	1114		
EG7950	709	1118		
EG7950	712	1120		
EG9030	489	827		
EG9310	454	783		
EG9310	454	784		
EG9310	455	785		
EG9710	644	1028		
EG9710	935	1387		
EG9710	935	1388		
EG9710	936	1389		
EG9710	936	1390		


				9
EG9750	642	1022		
EG9760	894	1354		
EG9760	895	1355		
EG9760	896	1356		
EG9760	898	1359		
EG9770	936	1391		
EG9780	704	1112		
EG9780	704	1113		
EG9780	705	1114		
EH680	700	1106		
EH680	702	1110		
EH680	703	1111		
EH680	719	1127		
EH680	720	1128		
EH680	722	1130		
EH680	723	1131		
EH680	723	1132		
EH680	724	1133		
EH680	755	1173		
EH680	756	1174		
EH680	756	1175		
EH680	758	1178		
EH680	760	1181		
EH680	761	1182		
EH680	763	1185		
EH680	763	1186		
EH680	764	1187		
EH680	764	1188		
EH680	765	1189		
EH680	766	1190		
EH682	757	1176		
EH682	757	1177		
EH694	754	1171		
EH950	449	776		
EH950	453	782		
EH950	456	786		
EH950	457	787		
EH950	458	788		
EH950	460	789		
EH950	461	790		
EH950	462	791		
EH950	464	792		
EH950	471	801		
EH950	479	816		
EH950	480	817		
EH950	484	822		
EH950	485	823		
EH950	486	824		
EH950	487	825		
EH950	488	826		
EH950	491	830		
EH950	736	1148		
EH950	737	1149		
EH951	451	779		
EH951	451	780		
EH951	452	781		
EH951	465	794		
EH951	466	795		
EH951	468	797		
EH951	470	800		

				9
EH951	480	818		
EH951	481	819		
EH951	482	820		
EH951	490	829		
EH951	492	832		
EH951	493	833		
EH951	496	837		
EH951	496	838		
EH951	500	842		
EH951	501	843		
EH951	502	844		
EH951	503	845		
EH951	504	846		
EH951	506	848		
EH951	508	851		
EH951	509	852		
EH951	510	853		
EH951	511	854		
EH951	513	855		
EH952	451	779		
EH952	451	780		
EH952	452	781		
EH952	465	794		
EH952	466	795		
EH952	470	800		
EH952	480	818		
EH952	481	819		
EH952	482	820		
EH952	490	829		
EH952	493	833		
EH952	504	846		
EH952	506	848		
EH952	508	851		
EH952	509	852		
EH952	510	853		
EH952	511	854		
EH952	513	855		
EH6520	622	991		
EH6520	623	993		
EH6520	624	994		
EH6520	626	998		
EL650	548	908		
EL650	549	909		
EL650	550	911		
EL650	552	912		
EL650	553	913		
EL650	554	914		
EL650	555	915		
EL650	556	916		
EL650	558	917		
EL650	559	918		
EL650	561	919		
EL650	562	920		
EL650	563	921		
EL650	564	922		
EL650	565	923		
EL650	567	925		
EL650	569	926		
EL650	570	927		
EL650	571	928		

 9		
EL650	572	929
EL650	573	931
EL650	576	934
EL650	577	935
EL650	579	936
EL650	580	937
EL650	581	939
EL650	582	940
EL650	583	941
EL650	585	942
EL650	586	943
EL890	538	895
EL890	539	896
EL890	539	897
EL890	541	898
EL890	542	899
EL890	587	944
EL890	588	945
EL890	589	946
EL890	590	947
EL890	591	948
EL890	592	949
EL890	593	950
EL890	594	951
EL890	595	952
EL890	596	953
EL960	809	1253
EL960	810	1254
EL960	812	1256
EL960	817	1260
EL960	818	1261
EL960	822	1264
EL960	823	1265
EL960	827	1268
EL960	828	1269
EL960	829	1270
EL960	830	1271
EL960	831	1272
EL960	833	1273
EL960	834	1274
EL960	835	1275
EL960	843	1282
EL960	858	1304
EL960	859	1305
EL960	860	1306
EL960	861	1307
EL960	862	1309
EL960	863	1310
EL960	863	1311
EL960	864	1312
EL960	865	1313
EL960	865	1314
EL960	866	1315
EL960	867	1316
EL960	868	1317
EL960	868	1318
EL960	871	1321
EL960	872	1322
EL960	872	1323
EL960	875	1326


 9		
EL960	876	1327
EL960	878	1328
EL960	879	1329
EL960	880	1330
EL960	888	1347
EL960	889	1348
EL960	892	1350
EM531	605	964
EM531	652	1038
EM531	653	1039
EM531	654	1040
EM531	655	1041
ES580	738	1150
ES580	739	1151
ES580	740	1152
ES580	741	1153
ES580	742	1154
ES580	743	1155
ES580	744	1156
ES580	747	1161
ES580	750	1164
ES820	630	1006
ES820	631	1007
ES820	632	1008
ES820	633	1009
ES820	634	1010
ES820	635	1011
ES820	635	1012
ES820	636	1013
ES820	638	1016
ES820	639	1017
ES820	639	1018
ET400	643	1023
ET400	643	1024
ET800	688	1091
ET800	689	1092
EV150	620	988
EV150	621	989
EV150	621	990
EV150	640	1019
EV190	733	1144
EV190	734	1145
EV190	735	1146
EY070	929	1381
EY070	930	1382
EY070	931	1383
EY130	491	831
EY130	498	840
EY130	499	841
EY130	527	878
EY130	528	880
EY130	529	882
EY130	530	883
EY130	531	884
EY140	668	1063
EY140	668	1064
EY140	669	1065
EY140	670	1066
EY140	670	1067
FB5101	420	725


 9		
FB5101	421	726
FB5101	426	736
FOL2	172	278
FOL2	180	295
FOL2	182	297
FOL2	19	43
FOL2	2	4
FOL2	21	48
FOL2	21	49
FOL2	22	50
FOL2	224	389
FOL2	23	52
FOL2	23	53
FOL2	25	56
FOL2	27	62
FOL2	3	6
FOL2	388	669
FOL2	5	10
FOL2	6	13
FOL2	6	14
FOL2	7	15
FOL2	7	16
FOL2	8	17
FOL2	8	18
FOL15	17	35
FOL73	110	191
FOL73	66	135
FOL73	71	140
FOL82	18	41
FOL88	106	187
FOL88	79	153
FOL88	79	154
FOL88	81	157
FOL88	91	167
FOL88	92	169
FOL88	93	170
FOL88	94	171
FOL88	96	173
FOL103	257	458
FOL103	258	459
FOL103	259	462
FOL103	263	470
FOL103	264	471
FOL103	265	473
FOL103	266	475
FOL103	267	476
FOL103	267	477
FOL103	268	478
FOL103	269	482
FOL103	270	485
FOL103	271	486
FOL103	275	493
FOL103	275	494
FOL103	276	497
FOL103	278	502
FOL103	341	585
FOL103	353	604
FOL106	334	574
FOL109	150	241
FOL109	151	242


 9		
FOL109	152	243
FOL109	189	311
FOL109	190	312
FOL109	192	315
FOL110	378	650
FOL110	379	651
FOL110	381	653
FOL110	382	655
FOL111	378	650
FOL111	379	651
FOL111	381	653
FOL115	140	229
FOL115	141	230
FOL115	149	240
FOL115	154	247
FOL116	150	241
FOL116	151	242
FOL116	152	243
FOL116	189	311
FOL116	190	312
FOL116	192	315
FOL118	191	314
FOL120	227	394
FOL122	374	645
FOL122	375	646
FOL122	377	649
FOL126	39	84
FOL126	52	107
FOL126	53	108
FOL126	54	109
FOL134	103	182
FOL134	103	183
FOL134	104	185
FOL134	162	263
FOL134	163	265
FOL134	164	266
FOL134	166	269
FOL134	99	177
FOL138	165	267
FOL149	294	524
FOL149	295	525
FOL149	297	527
FOL149	298	528
FOL149	299	529
FOL149	304	535
FOL149	305	536
FOL149	338	581
FOL149	340	584
FOL149	343	588
FOL149	344	589
FOL149	345	590
FOL150	109	190
FOL150	111	192
FOL150	112	193
FOL150	113	194
FOL150	114	195
FOL150	115	196
FOL150	116	197
FOL150	117	198
FOL150	118	199


NUMERICAL PARTS LIST


Numerische Teilenummernliste • Elenco riferimenti
Liste des références produits


 9		
FOL150	119	200
FOL150	120	201
FOL150	121	202
FOL150	122	203
FOL150	123	204
FOL150	124	205
FOL150	125	206
FOL150	126	207
FOL150	127	208
FOL150	128	209
FOL150	68	137
FOL150	69	138
FOL150	70	139
FOL150	73	144
FOL150	75	146
FOL150	76	147
FOL152	44	90
FOL154	134	222
FOL154	137	226
FOL154	138	227
FOL154	144	234
FOL154	146	237
FOL154	147	238
FOL154	15	30
FOL154	15	31
FOL156	360	619
FOL156	361	620
FOL157	374	645
FOL157	375	646
FOL157	377	649
FOL160	10	21
FOL160	13	27
FOL160	14	28
FOL160	20	45
FOL160	28	65
FOL160	29	67
FOL160	32	74
FOL160	33	75
FOL160	34	76
FOL160	35	77
FOL160	36	78
FOL160	38	81
FOL160	38	82
FOL160	4	9
FOL160	40	85
FOL160	41	87
FOL160	42	88
FOL160	60	124
FOL160	61	125
FOL163	137	226
FOL163	138	227
FOL163	144	234
FOL163	146	237
FOL163	147	238
FOL164	62	126
FOL164	64	130
FOL169	202	343
FOL169	203	344
FOL169	204	345
FOL169	444	769


 9		
FOL180	282	510
FOL180	284	512
FOL180	285	513
FOL180	286	514
FOL180	289	517
FOL180	289	518
FOL180	290	519
FOL180	291	521
FOL180	292	522
FOL180	293	523
FOL180	296	526
FOL180	300	530
FOL180	305	536
FOL180	306	537
FOL180	313	546
FOL180	338	581
FOL180	340	584
FOL180	343	588
FOL180	344	589
FOL180	345	590
FOL180	347	593
FOL180	349	595
FOL180	349	596
FOL180	350	598
FOL184	17	35
FOL184	44	90
FOL185	48	98
FOL185	50	103
FOL185	51	105
FOL185	51	106
FOL185	54	110
FOL185	55	111
FOL185	55	112
FOL185	56	113
FOL185	57	115
FOL185	57	116
FOL189	362	622
FOL189	363	623
FOL189	364	625
FOL189	364	626
FOL189	366	631
FOL190	362	622
FOL190	363	623
FOL190	364	625
FOL190	364	626
FOL190	366	631
FOL191	48	98
FOL191	50	103
FOL191	51	105
FOL191	51	106
FOL191	54	110
FOL191	55	111
FOL191	57	115
FY291	194	321
GF044	156	250
GF050	2	1
GF050	2	2
GF051	17	36
GF053	49	101
GF054	49	100


 9		
GF054	49	101
GF220	132	219
GF322	176	288
GF322	186	303
GF356	206	349
GF492	18	38
GF492	18	40
GF492	49	102
GF570	58	119
GF570	58	120
GF570	59	122
GF583	186	304
GF874	256	455
GF874	257	456
GG050	197	330
GG050	198	331
GG052	200	339
GG052	200	340
GG052	201	341
GG120	184	300
GG120	185	301
GG120	410	707
GG120	411	708
GG120	411	709
GG210	19	42
GG210	48	97
GG451	195	323
GG452	196	325
GG541	193	317
GG780	65	134
GH080	367	634
GH080	368	636
GH080	369	638
GH080	370	640
GH080	371	641
GH080	372	642
GH080	373	643
GH080	375	646
GH681	207	351
GH681	207	352
GH681	207	353
GH681	217	375
GH683	217	375
GH690	240	414
GH691	239	412
GH930	181	296
GH930	184	299
GH991	196	327
GJ720	110	191
GJ720	111	192
GJ720	112	193
GJ720	113	194
GJ720	114	195
GJ720	115	196
GJ720	116	197
GJ720	117	198
GJ720	118	199
GJ720	119	200
GJ720	121	202
GJ720	122	203

 9		
GJ720	123	204
GJ720	124	205
GJ720	125	206
GJ720	126	207
GJ720	127	208
GJ720	128	209
GJ720	66	135
GJ720	67	136
GJ720	68	137
GL650	100	178
GL650	100	179
GL650	101	180
GL650	102	181
GL650	105	186
GL650	106	187
GL650	107	188
GL650	108	189
GL650	79	153
GL650	79	154
GL650	80	155
GL650	80	156
GL650	81	157
GL650	82	158
GL650	83	159
GL650	88	164
GL650	89	165
GL650	90	166
GL650	91	167
GL650	92	169
GL650	93	170
GL650	94	171
GL650	95	172
GL650	96	173
GL830	194	322
GL830	195	324
GM310	201	341
GM533	176	289
GM533	177	290
GM533	177	291
GM710	130	212
GR630	171	277
GR630	172	278
GR630	172	279
GT080	222	384
GX392	202	343
GX392	203	344
GX392	204	345
GX392	204	346
GX410	439	760
GX410	440	761
GX410	442	764
GX410	442	765
GX410	443	767
GX410	444	769
H046/5	892	1351
H046/5	893	1352
H046/6	894	1353
H086/5	545	904
H086/5	546	905
H086/5	546	906

			9
H086/5	607	968	
H086/5	608	969	
H086/5	608	970	
H086/5	608	971	
H086/5	609	972	
H086/5	609	973	
H097/5	704	1112	
H097/5	704	1113	
H097/5	705	1115	
H097/5	707	1116	
H097/5	708	1117	
H097/5	709	1118	
H097/5	711	1119	
H097/5	712	1120	
H097/5	713	1121	
H098/5	807	1251	
H098/5	808	1252	
H098/5	810	1254	
H098/5	812	1256	
H098/5	813	1257	
H098/5	814	1258	
H098/5	816	1259	
H098/5	817	1260	
H098/5	818	1261	
H098/5	819	1262	
H098/5	821	1263	
H098/5	822	1264	
H098/5	823	1265	
H098/5	825	1266	
H098/5	826	1267	
H098/5	827	1268	
H098/5	830	1271	
H098/5	831	1272	
H098/5	833	1273	
H098/5	834	1274	
H098/5	837	1277	
H098/5	838	1278	
H098/5	839	1279	
H098/5	841	1280	
H098/5	842	1281	
H098/5	843	1282	
H098/5	844	1283	
H098/5	845	1284	
H098/5	845	1285	
H098/5	846	1286	
H098/5	847	1287	
H098/5	847	1288	
H098/5	848	1289	
H098/5	849	1290	
H098/5	849	1291	
H098/5	850	1292	
H098/5	851	1293	
H098/5	852	1294	
H098/5	852	1295	
H098/5	853	1296	
H098/5	854	1297	
H098/5	854	1298	
H098/5	855	1299	
H098/5	855	1300	
H098/5	856	1301	


			9
H098/5	857	1302	
H098/5	857	1303	
H098/5	867	1316	
H098/5	868	1318	
H098/5	871	1321	
H098/5	872	1323	
H098/5	882	1333	
H098/5	883	1334	
H098/5	884	1335	
H098/5	884	1336	
H098/5	886	1340	
H098/5	886	1341	
H098/5	887	1342	
H098/5	888	1347	
H098/5	889	1348	
H098/5	891	1349	
H098/5	898	1360	
H996/5	449	776	
H996/5	450	777	
H996/5	456	786	
H996/5	457	787	
H996/5	458	788	
H996/5	460	789	
H996/5	461	790	
H996/5	462	791	
H996/5	464	792	
H996/5	464	793	
H996/5	471	801	
H996/5	479	816	
H996/5	482	821	
H996/5	484	822	
H996/5	485	823	
H996/5	486	824	
H996/5	487	825	
H996/5	735	1147	
H996/5	736	1148	
H996/5	737	1149	
H1011/5	448	774	
H1011/5	448	775	
H1013/5	929	1381	
H1013/5	930	1382	
H1013/5	931	1383	
H1013/5	932	1384	
H1013/5	933	1385	
H1013/5	934	1386	
H1013/5	979	1434	
H1013/5	980	1435	
H1014/5	802	1245	
H1014/5	803	1246	
H1014/5	804	1247	
H1014/5	805	1248	
H1014/5	806	1249	
H1014/5	807	1250	
H1029/5	645	1031	
H1029/5	646	1032	
H1029/5	647	1033	
H1029/5	648	1034	
H1029/5	662	1050	
H1029/5	663	1051	
H1029/5	663	1052	


			9
H1029/5	664	1053	
H1029/5	665	1054	
H1029/5	681	1084	
H1029/5	682	1085	
H1029/5	683	1086	
H1029/5	684	1087	
H1029/5	685	1088	
H1029/5	686	1089	
H1031/5	477	813	
H1031/5	520	865	
H1034/5	780	1206	
H1034/5	780	1207	
H1034/5	781	1208	
H1034/5	781	1209	
H1034/5	782	1210	
H1034/5	782	1211	
H1034/5	783	1212	
H1034/5	783	1213	
H1034/5	786	1218	
H1034/5	786	1219	
H1034/5	787	1220	
H1034/5	787	1221	
H1034/5	788	1222	
H1034/5	788	1223	
H1034/5	789	1224	
H1038/3	697	1100	
H1038/3	697	1101	
H1038/3	697	1102	
H1038/3	698	1103	
H1038/3	699	1104	
H1041/4	1041	1481	
H1041/4	1041	1482	
H1041/4	661	1049	
H1041/4	667	1060	
H1041/4	667	1061	
H1041/4	667	1062	
H1041/4	680	1079	
H1041/4	680	1080	
H1041/4	680	1081	
H1041/4	977	1430	
H1041/4	978	1431	
H1041/4	978	1432	
H1041/4	978	1433	
H1041/4	981	1437	
H1041/4	981	1438	
H1041/4	982	1439	
H1041/4	982	1440	
H1042/5	715	1122	
H1042/5	716	1123	
H1042/5	717	1124	
H1042/5	718	1125	
H1042/5	719	1126	
H1042/5	719	1127	
H1042/5	720	1128	
H1042/5	721	1129	
H1042/5	722	1130	
H1042/5	723	1131	
H1042/5	723	1132	
H1042/5	724	1133	
H1042/5	725	1135	


			9
H1042/5	725	1136	
H1042/5	726	1137	
H1042/5	727	1138	
H1042/5	729	1140	
H1042/5	730	1141	
H1042/5	731	1142	
H1042/5	732	1143	
H1042/5	733	1144	
H1042/5	734	1145	
H1042/5	735	1146	
H1042/5	751	1166	
H1042/5	751	1167	
H1042/5	752	1168	
H1042/5	752	1169	
H1042/5	753	1170	
H1042/5	754	1171	
H1042/5	754	1172	
H1042/5	755	1173	
H1042/5	756	1174	
H1042/5	756	1175	
H1042/5	757	1176	
H1042/5	757	1177	
H1042/5	758	1178	
H1042/5	759	1179	
H1042/5	759	1180	
H1042/5	760	1181	
H1042/5	761	1182	
H1042/5	761	1183	
H1042/5	762	1184	
H1042/5	763	1185	
H1042/5	763	1186	
H1042/5	764	1187	
H1042/5	764	1188	
H1042/5	765	1189	
H1042/5	766	1190	
H1042/5	784	1214	
H1046/5	525	876	
H1046/5	526	877	
H1046/5	537	894	
H1049/5	1000	1452	
H1049/5	1001	1453	
H1049/5	1002	1454	
H1049/5	1002	1455	
H1049/5	1004	1456	
H1049/5	1006	1457	
H1049/5	1007	1458	
H1049/5	1010	1460	
H1049/5	1012	1461	
H1049/5	1014	1463	
H1049/5	1016	1464	
H1049/5	1018	1465	
H1049/5	1019	1466	
H1049/5	1020	1467	
H1049/5	1022	1468	
H1049/5	1024	1469	
H1049/5	1026	1470	
H1049/5	1028	1471	
H1049/5	1030	1472	
H1049/5	1032	1473	
H1049/5	1034	1474	


NUMERICAL PARTS LIST


Numerische Teilenummernliste • Elenco riferimenti
Liste des références produits


 9		
H1049/5	1037	1478
H1049/5	1039	1479
H1049/5	1040	1480
H1049/5	983	1441
H1049/5	984	1442
H1049/5	986	1443
H1049/5	987	1444
H1049/5	989	1445
H1049/5	990	1446
H1049/5	992	1447
H1049/5	994	1448
H1049/5	995	1449
H1049/5	997	1450
H1049/5	999	1451
H1052/5	661	1048
H1052/5	899	1361
H1052/5	901	1362
H1052/5	902	1363
H1052/5	904	1364
H1052/5	905	1365
H1052/5	907	1366
H1052/5	909	1367
H1052/5	910	1368
H1052/5	912	1369
H1052/5	913	1370
H1052/5	915	1371
H1052/5	916	1372
H1052/5	917	1373
H1052/5	919	1374
H1052/5	921	1375
H1052/5	922	1376
H1052/5	924	1377
H1052/5	925	1378
H1052/5	926	1379
H1052/5	928	1380
H1052/5	936	1392
H1052/5	937	1393
H1052/5	938	1394
H1052/5	940	1396
H1052/5	943	1399
H1052/5	955	1414
H1052/5	956	1415
H1052/5	957	1416
H1052/5	958	1417
H1052/5	959	1418
H1052/5	961	1419
H1052/5	962	1420
H1052/5	964	1421
H1052/5	965	1422
H1052/5	966	1423
H1052/5	968	1424
H1052/5	969	1425
H1052/5	971	1426
H1052/5	973	1427
H1052/5	974	1428
H1052/5	976	1429
H1056/5	681	1084
H1056/5	682	1085
H1056/5	684	1087
H1056/5	685	1088


 9		
H1056/5	686	1089
H1056/5	688	1091
H1056/5	689	1092
H1056/5	690	1093
H1056/5	691	1094
H1056/5	692	1095
H1056/5	693	1096
H1057/5	538	895
H1057/5	539	896
H1057/5	539	897
H1057/5	541	898
H1057/5	542	899
H1057/5	543	900
H1057/5	544	902
H1057/5	545	903
H1057/5	587	944
H1057/5	588	945
H1057/5	589	946
H1057/5	590	947
H1057/5	591	948
H1057/5	592	949
H1057/5	593	950
H1057/5	594	951
H1057/5	595	952
H1057/5	596	953
H1057/5	610	974
H1057/5	611	975
H1057/5	611	976
H1057/5	612	977
H1057/5	613	978
H1057/5	614	979
H1057/5	614	980
H1057/5	615	981
H1057/5	616	982
H1057/5	616	983
H1057/5	617	984
H1057/5	618	985
H1057/5	618	986
H1057/5	619	987
H1057/5	620	988
H1057/5	621	989
H1057/5	621	990
H1057/5	622	991
H1057/5	623	992
H1057/5	623	993
H1057/5	624	994
H1057/5	624	995
H1057/5	625	996
H1057/5	626	997
H1057/5	626	998
H1057/5	627	999
H1057/5	628	1000
H1057/5	628	1001
H1057/5	629	1005
H1057/5	630	1006
H1057/5	631	1007
H1057/5	632	1008
H1057/5	633	1009
H1057/5	634	1010
H1057/5	635	1011


 9		
H1057/5	635	1012
H1057/5	636	1013
H1057/5	637	1014
H1057/5	638	1015
H1057/5	638	1016
H1057/5	639	1017
H1057/5	639	1018
H1057/5	640	1019
H1057/5	641	1020
H1057/5	642	1021
H1058/5	659	1046
H1058/5	660	1047
H1058/5	899	1361
H1058/5	901	1362
H1058/5	902	1363
H1058/5	904	1364
H1058/5	905	1365
H1058/5	907	1366
H1058/5	909	1367
H1058/5	910	1368
H1058/5	912	1369
H1058/5	913	1370
H1058/5	915	1371
H1058/5	916	1372
H1058/5	917	1373
H1058/5	919	1374
H1058/5	921	1375
H1058/5	922	1376
H1058/5	924	1377
H1058/5	925	1378
H1058/5	926	1379
H1058/5	928	1380
H1058/5	938	1394
H1058/5	939	1395
H1058/5	940	1396
H1058/5	941	1397
H1058/5	942	1398
H1058/5	943	1399
H1058/5	945	1400
H1058/5	945	1401
H1058/5	946	1402
H1058/5	947	1403
H1058/5	948	1404
H1058/5	948	1405
H1058/5	949	1406
H1058/5	950	1407
H1058/5	950	1408
H1058/5	951	1409
H1058/5	952	1410
H1058/5	952	1411
H1058/5	953	1412
H1058/5	954	1413
H1058/5	955	1414
H1058/5	957	1416
H1058/5	958	1417
H1058/5	959	1418
H1058/5	961	1419
H1058/5	962	1420
H1058/5	964	1421
H1058/5	965	1422

 9		
H1058/5	966	1423
H1058/5	968	1424
H1058/5	969	1425
H1058/5	971	1426
H1058/5	973	1427
H1058/5	974	1428
H1058/5	976	1429
H1065/5	766	1191
H1065/5	767	1192
H1065/5	768	1193
H1065/5	769	1194
H1065/5	770	1195
H1065/5	771	1196
H1065/5	772	1197
H1065/5	773	1198
H1065/5	774	1199
H1065/5	775	1200
H1065/5	776	1201
H1065/5	777	1202
H1065/5	778	1203
H1065/5	778	1204
H1065/5	779	1205
H1065/5	790	1226
H1065/5	791	1227
H1065/5	791	1228
H1065/5	792	1229
H1065/5	792	1230
H1065/5	795	1233
H1065/5	796	1234
H1065/5	797	1235
H1065/5	798	1236
H1065/5	798	1237
H1065/5	799	1238
H1065/5	799	1239
H1065/5	800	1240
H1065/5	800	1241
H1065/5	801	1242
H1065/5	801	1243
H1065/5	801	1244
H1066/5	471	802
H1066/5	472	803
H1066/5	473	804
H1066/5	473	805
H1066/5	474	806
H1066/5	475	807
H1066/5	514	856
H1066/5	515	857
H1066/5	516	858
H1066/5	516	859
H1066/5	517	860
H1066/5	518	861
H1066/5	519	862
H1066/5	519	863
H1071/5	450	778
H1071/5	451	779
H1071/5	451	780
H1071/5	452	781
H1071/5	453	782
H1071/5	457	787
H1071/5	458	788

			9
H1071/5	460	789	
H1071/5	461	790	
H1071/5	462	791	
H1071/5	465	794	
H1071/5	466	795	
H1071/5	467	796	
H1071/5	468	797	
H1071/5	468	798	
H1071/5	469	799	
H1071/5	470	800	
H1071/5	480	818	
H1071/5	481	819	
H1071/5	482	820	
H1071/5	482	821	
H1071/5	484	822	
H1071/5	485	823	
H1071/5	486	824	
H1071/5	487	825	
H1071/5	488	826	
H1071/5	489	827	
H1071/5	489	828	
H1071/5	490	829	
H1071/5	491	830	
H1071/5	491	831	
H1071/5	492	832	
H1071/5	493	833	
H1071/5	494	834	
H1071/5	494	835	
H1071/5	495	836	
H1071/5	496	837	
H1071/5	496	838	
H1071/5	497	839	
H1071/5	500	842	
H1071/5	501	843	
H1071/5	502	844	
H1071/5	503	845	
H1071/5	504	846	
H1071/5	505	847	
H1071/5	506	848	
H1071/5	507	849	
H1071/5	507	850	
H1071/5	508	851	
H1071/5	509	852	
H1071/5	510	853	
H1071/5	511	854	
H1071/5	513	855	
H1074/5	547	907	
H1074/5	548	908	
H1074/5	549	909	
H1074/5	550	911	
H1074/5	552	912	
H1074/5	553	913	
H1074/5	554	914	
H1074/5	555	915	
H1074/5	556	916	
H1074/5	558	917	
H1074/5	559	918	
H1074/5	561	919	
H1074/5	562	920	
H1074/5	563	921	


			9
H1074/5	564	922	
H1074/5	565	923	
H1074/5	566	924	
H1074/5	567	925	
H1074/5	569	926	
H1074/5	570	927	
H1074/5	571	928	
H1074/5	572	929	
H1074/5	573	930	
H1074/5	573	931	
H1074/5	575	932	
H1074/5	576	933	
H1074/5	576	934	
H1074/5	577	935	
H1074/5	579	936	
H1074/5	580	937	
H1074/5	581	938	
H1074/5	581	939	
H1074/5	582	940	
H1074/5	583	941	
H1074/5	585	942	
H1074/5	586	943	
H1075/5	643	1023	
H1075/5	643	1024	
H1080/5	784	1215	
H1080/5	785	1216	
H1080/5	808	1252	
H1080/5	809	1253	
H1080/5	810	1254	
H1080/5	811	1255	
H1080/5	812	1256	
H1080/5	813	1257	
H1080/5	814	1258	
H1080/5	816	1259	
H1080/5	817	1260	
H1080/5	818	1261	
H1080/5	819	1262	
H1080/5	821	1263	
H1080/5	822	1264	
H1080/5	823	1265	
H1080/5	825	1266	
H1080/5	826	1267	
H1080/5	827	1268	
H1080/5	828	1269	
H1080/5	829	1270	
H1080/5	830	1271	
H1080/5	831	1272	
H1080/5	833	1273	
H1080/5	834	1274	
H1080/5	835	1275	
H1080/5	836	1276	
H1080/5	837	1277	
H1080/5	838	1278	
H1080/5	839	1279	
H1080/5	841	1280	
H1080/5	842	1281	
H1080/5	843	1282	
H1080/5	858	1304	
H1080/5	859	1305	
H1080/5	860	1306	


			9
H1080/5	861	1307	
H1080/5	861	1308	
H1080/5	862	1309	
H1080/5	863	1310	
H1080/5	863	1311	
H1080/5	864	1312	
H1080/5	865	1313	
H1080/5	865	1314	
H1080/5	866	1315	
H1080/5	867	1316	
H1080/5	868	1317	
H1080/5	868	1318	
H1080/5	871	1321	
H1080/5	872	1322	
H1080/5	872	1323	
H1080/5	874	1324	
H1080/5	875	1326	
H1080/5	876	1327	
H1080/5	878	1328	
H1080/5	879	1329	
H1080/5	880	1330	
H1080/5	881	1331	
H1080/5	882	1332	
H1080/5	888	1347	
H1080/5	889	1348	
H1080/5	891	1349	
H1087/5	498	840	
H1087/5	499	841	
H1087/5	522	870	
H1087/5	527	878	
H1087/5	527	879	
H1087/5	528	880	
H1087/5	529	881	
H1087/5	529	882	
H1087/5	530	883	
H1087/5	531	884	
H1087/5	532	885	
H1087/5	532	886	
H1087/5	533	887	
H1087/5	534	888	
H1087/5	535	889	
H1087/5	535	890	
H1089/5	671	1069	
H1089/5	672	1070	
H1089/5	673	1071	
H1089/5	674	1072	
H1089/5	675	1073	
H1089/5	676	1074	
H1089/5	677	1075	
H1089/5	678	1076	
H1089/5	678	1077	
H1089/5	679	1078	
H1089/5	687	1090	
H1094/5	1000	1452	
H1094/5	1001	1453	
H1094/5	1002	1455	
H1094/5	1006	1457	
H1094/5	1007	1458	
H1094/5	1009	1459	
H1094/5	1010	1460	


			9
H1094/5	1012	1461	
H1094/5	1013	1462	
H1094/5	1014	1463	
H1094/5	1016	1464	
H1094/5	1018	1465	
H1094/5	1019	1466	
H1094/5	1020	1467	
H1094/5	1022	1468	
H1094/5	1024	1469	
H1094/5	1026	1470	
H1094/5	1028	1471	
H1094/5	1030	1472	
H1094/5	1032	1473	
H1094/5	1034	1474	
H1094/5	1037	1478	
H1094/5	1039	1479	
H1094/5	984	1442	
H1094/5	987	1444	
H1094/5	989	1445	
H1094/5	990	1446	
H1094/5	992	1447	
H1094/5	994	1448	
H1094/5	995	1449	
H1094/5	997	1450	
H1094/5	999	1451	
H1099/5	705	1115	
H1099/5	707	1116	
H1099/5	708	1117	
H1099/5	709	1118	
H1099/5	711	1119	
H1099/5	712	1120	
H1099/5	713	1121	
H1101/5	870	1319	
H1101/5	870	1320	
H1101/5	874	1324	
H1101/5	874	1325	
H1101/5	875	1326	
H1101/5	876	1327	
H1101/5	878	1328	
H1101/5	879	1329	
H1101/5	880	1330	
H1101/5	881	1331	
H1101/5	882	1332	
H1104/5	1000	1452	
H1104/5	1001	1453	
H1104/5	1002	1455	
H1104/5	1004	1456	
H1104/5	1006	1457	
H1104/5	1007	1458	
H1104/5	1009	1459	
H1104/5	1010	1460	
H1104/5	1012	1461	
H1104/5	1013	1462	
H1104/5	1014	1463	
H1104/5	1016	1464	
H1104/5	1018	1465	
H1104/5	1019	1466	
H1104/5	1020	1467	
H1104/5	1022	1468	
H1104/5	1024	1469	


NUMERICAL PARTS LIST


Numerische Teilenummernliste • Elenco riferimenti
Liste des références produits


 9		
H1104/5	1026	1470
H1104/5	1028	1471
H1104/5	1030	1472
H1104/5	1032	1473
H1104/5	1034	1474
H1104/5	1035	1475
H1104/5	1035	1476
H1104/5	1036	1477
H1104/5	1037	1478
H1104/5	1039	1479
H1104/5	1040	1480
H1104/5	1042	1485
H1104/5	1043	1486
H1104/5	1044	1487
H1104/5	1045	1488
H1104/5	1046	1489
H1104/5	1047	1490
H1104/5	1048	1491
H1104/5	1049	1492
H1104/5	694	1097
H1104/5	694	1098
H1104/5	695	1099
H1104/5	984	1442
H1104/5	987	1444
H1104/5	989	1445
H1104/5	990	1446
H1104/5	992	1447
H1104/5	994	1448
H1104/5	995	1449
H1104/5	997	1450
H1104/5	999	1451
H1107/5	699	1105
H1107/5	700	1106
H1107/5	700	1107
H1107/5	701	1108
H1107/5	701	1109
H1107/5	702	1110
H1107/5	703	1111
H1107/5	715	1122
H1107/5	716	1123
H1107/5	717	1124
H1107/5	718	1125
H1107/5	719	1126
H1107/5	726	1137
H1107/5	728	1139
H1107/5	729	1140
H1107/5	730	1141
H1107/5	731	1142
H1113/5	547	907
H1113/5	548	908
H1113/5	549	909
H1113/5	550	911
H1113/5	555	915
H1113/5	556	916
H1113/5	558	917
H1113/5	559	918
H1113/5	565	923
H1113/5	566	924
H1113/5	567	925
H1113/5	573	931


 9		
H1113/5	575	932
H1113/5	577	935
H1113/5	583	941
H1113/5	586	943
H1240/5	597	954
H1240/5	598	955
H1240/5	598	956
H1240/5	599	957
H1240/5	604	963
H1240/5	606	965
H1240/5	649	1035
H1240/5	650	1036
H1240/5	654	1040
H1240/5	655	1041
H1240/5	657	1043
H1241/5	602	961
H1241/5	603	962
H1241/5	605	964
H1241/5	606	965
H1241/5	649	1035
H1241/5	650	1036
H1241/5	651	1037
H1241/5	652	1038
H1241/5	653	1039
H1241/5	654	1040
H1241/5	655	1041
H1241/5	656	1042
H1241/5	657	1043
H1243/5	894	1354
H1243/5	895	1355
H1243/5	896	1356
H1243/5	897	1357
H1243/5	897	1358
H1327/5	898	1359
H1338/4	454	783
H1338/4	454	784
H1338/4	455	785
HA510	157	254
HA510	158	256
HA510	159	257
HA512	160	258
HA512	160	259
HA512	161	260
HA5008	73	144
HA5008	74	145
HA5008	75	146
HA5008	76	147
HA5020	169	273
HA5028	10	22
HA5028	11	24
HA5028	12	25
HA5028	13	26
HA5028	14	28
HA5028	28	64
HA5028	29	67
HA5028	30	68
HA5028	30	69
HA5028	30	70
HA5028	31	71
HA5028	31	72


 9		
HA5028	32	74
HA5028	33	75
HA5028	34	76
HA5028	35	77
HA5028	36	78
HA5028	37	79
HA5028	37	80
HA5028	38	81
HA5028	38	82
HA5028	39	83
HA5028	40	85
HA5028	40	86
HA5028	41	87
HA5028	42	88
HA5028	43	89
HA5029	15	30
HA5029	15	31
HA5029	16	32
HA5029	16	33
HA5030	17	35
HA5030	44	90
HA5030	46	93
HA5030	47	95
HA5030	47	96
HA5031	17	35
HA5031	44	90
HA5031	46	93
HA5031	47	95
HA5031	47	96
HA5032	63	129
HA5032	65	132
HBS008	199	335
HBS008	199	336
HBS010	367	634
HBS010	368	636
HBS010	369	638
HBS010	370	640
HBS010	371	641
HBS010	372	642
HBS010	373	643
HBS010	374	645
HBS010	375	646
HBS010	376	648
HBS010	377	649
HBS011	21	49
HBS011	22	50
HBS011	23	52
HBS011	24	54
HBS011	25	56
HBS011	38	81
HBS011	38	82
HBS011	416	719
HBS011	416	720
HBS011	417	721
HBS011	418	722
HBS011	419	723
HBS011	420	724
HBS011	423	732
HBS011	429	742
HBS011	430	743

 9		
HBS011	431	744
HBS011	432	745
HBS011	433	746
HBS011	434	747
HBS011	434	748
HBS011	435	749
HBS011	435	750
HBS011	436	751
HBS011	436	752
HBS011	437	753
HBS011	438	758
HBS011	439	760
HBS011	440	761
HBS011	440	762
HBS011	441	763
HBS011	442	764
HBS011	442	765
HBS011	443	767
HBS011	444	769
HBS015	197	330
HBS015	198	331
HBS015	201	341
HBS016	200	338
HBS017	187	306
HBS017	187	307
HBS017	193	317
HBS017	193	319
HBS017	194	322
HBS017	195	323
HBS017	196	325
HBS038	103	182
HBS038	103	183
HBS038	104	184
HBS038	104	185
HBS038	106	187
HBS038	107	188
HBS038	131	216
HBS038	132	217
HBS038	176	289
HBS038	177	290
HBS038	177	291
HBS038	178	292
HBS038	179	294
HBS038	79	153
HBS038	79	154
HBS038	80	155
HBS038	80	156
HBS038	81	157
HBS038	85	161
HBS038	86	162
HBS038	96	173
HBS039	10	21
HBS039	10	22
HBS039	11	24
HBS039	12	25
HBS039	13	26
HBS039	13	27
HBS039	14	28
HBS039	19	44
HBS039	20	45

			9
HBS039	20	46	
HBS039	26	59	
HBS039	26	60	
HBS039	27	61	
HBS039	27	62	
HBS039	28	64	
HBS039	29	67	
HBS039	3	7	
HBS039	30	68	
HBS039	30	69	
HBS039	30	70	
HBS039	31	71	
HBS039	31	72	
HBS039	32	73	
HBS039	32	74	
HBS039	33	75	
HBS039	34	76	
HBS039	35	77	
HBS039	36	78	
HBS039	37	79	
HBS039	37	80	
HBS039	4	8	
HBS039	4	9	
HBS039	40	85	
HBS039	40	86	
HBS039	41	87	
HBS039	42	88	
HBS039	43	89	
HBS039	5	10	
HBS039	59	123	
HBS039	60	124	
HBS039	61	125	
HBS039	62	127	
HBS039	9	20	
HBS051	171	277	
HBS051	172	278	
HBS051	172	279	
HBS082	39	84	
HBS083	100	178	
HBS083	100	179	
HBS083	101	180	
HBS083	102	181	
HBS083	105	186	
HBS083	106	187	
HBS083	107	188	
HBS083	108	189	
HBS083	79	153	
HBS083	79	154	
HBS083	80	155	
HBS083	80	156	
HBS083	81	157	
HBS083	82	158	
HBS083	83	159	
HBS083	91	167	
HBS083	92	169	
HBS083	93	170	
HBS083	94	171	
HBS083	95	172	
HBS083	96	173	
HBS084	110	191	


			9
HBS084	111	192	
HBS084	112	193	
HBS084	113	194	
HBS084	114	195	
HBS084	116	197	
HBS084	117	198	
HBS084	118	199	
HBS084	119	200	
HBS084	128	209	
HBS084	157	254	
HBS084	158	255	
HBS084	158	256	
HBS084	159	257	
HBS084	160	258	
HBS084	160	259	
HBS084	161	260	
HBS084	161	261	
HBS084	162	262	
HBS084	167	270	
HBS084	168	271	
HBS084	66	135	
HBS084	67	136	
HBS084	68	137	
HBS084	73	144	
HBS084	74	145	
HBS084	75	146	
HBS084	76	147	
HBS087	162	263	
HBS087	163	264	
HBS087	163	265	
HBS087	164	266	
HBS087	165	267	
HBS087	166	268	
HBS087	166	269	
HBS089	99	177	
HBS102	225	390	
HBS102	226	391	
HBS102	226	392	
HBS102	227	393	
HBS102	227	394	
HBS102	228	395	
HBS102	228	396	
HBS102	229	397	
HBS102	230	398	
HBS102	230	399	
HBS102	231	400	
HBS102	232	402	
HBS102	233	403	
HBS102	234	404	
HBS102	234	405	
HBS102	235	406	
HBS102	236	407	
HBS102	237	408	
HBS102	260	465	
HBS102	261	466	
HBS102	261	467	
HBS102	277	500	
HBS102	277	501	
HBS102	278	502	
HBS102	278	503	


			9
HBS102	279	504	
HBS102	280	505	
HBS102	280	506	
HBS104	206	350	
HBS104	207	352	
HBS104	207	353	
HBS104	215	370	
HBS104	216	371	
HBS104	216	372	
HBS104	217	374	
HBS104	217	375	
HBS104	218	376	
HBS104	219	378	
HBS104	222	384	
HBS104	222	385	
HBS104	223	386	
HBS104	237	409	
HBS104	238	411	
HBS104	239	412	
HBS104	239	413	
HBS104	240	414	
HBS104	240	415	
HBS104	241	417	
HBS104	242	418	
HBS104	242	419	
HBS104	243	420	
HBS104	243	421	
HBS104	244	422	
HBS104	244	423	
HBS104	244	424	
HBS104	245	425	
HBS110	219	377	
HBS113	52	107	
HBS113	53	108	
HBS113	54	109	
HBS114	192	315	
HBS115	150	241	
HBS115	151	242	
HBS115	169	272	
HBS116	180	295	
HBS116	389	673	
HBS116	390	674	
HBS116	391	675	
HBS116	391	676	
HBS116	392	677	
HBS116	393	678	
HBS116	393	679	
HBS116	394	680	
HBS116	395	681	
HBS116	396	682	
HBS116	396	683	
HBS116	397	684	
HBS116	397	685	
HBS116	398	686	
HBS116	398	687	
HBS116	399	689	
HBS116	400	690	
HBS116	401	692	
HBS116	402	693	
HBS116	403	694	


			9
HBS116	403	695	
HBS116	404	696	
HBS116	404	697	
HBS116	405	698	
HBS116	405	699	
HBS116	409	705	
HBS116	410	706	
HBS119	378	650	
HBS119	379	651	
HBS119	380	652	
HBS119	381	653	
HBS119	382	655	
HBS120	282	510	
HBS120	285	513	
HBS120	286	514	
HBS120	287	515	
HBS120	290	519	
HBS120	296	526	
HBS120	301	531	
HBS120	302	532	
HBS120	303	533	
HBS120	306	537	
HBS120	309	542	
HBS120	310	543	
HBS120	311	544	
HBS120	313	546	
HBS120	314	547	
HBS120	315	548	
HBS120	317	550	
HBS120	318	551	
HBS120	319	552	
HBS120	321	554	
HBS120	323	558	
HBS120	324	559	
HBS125	150	241	
HBS125	151	242	
HBS125	152	243	
HBS127	184	300	
HBS127	185	301	
HBS127	187	308	
HBS127	188	309	
HBS127	196	326	
HBS127	410	707	
HBS127	411	708	
HBS127	411	709	
HBS127	411	710	
HBS127	412	711	
HBS127	413	715	
HBS127	414	716	
HBS127	414	717	
HBS127	437	755	
HBS127	438	756	
HBS177	359	616	
HBS177	359	617	
HBS177	360	618	
HBS178	360	619	
HBS178	361	620	
HBS241	212	363	
HBS241	213	364	
HBS241	213	365	


NUMERICAL PARTS LIST


Numerische Teilenummernliste • Elenco riferimenti
Liste des références produits


 9		
HBS241	214	366
HBS241	214	367
HBS244	256	454
HBS244	283	511
HBS244	284	512
HBS244	288	516
HBS244	289	518
HBS244	290	520
HBS244	291	521
HBS244	292	522
HBS244	293	523
HBS244	294	524
HBS244	295	525
HBS244	297	527
HBS244	298	528
HBS244	299	529
HBS244	300	530
HBS244	304	535
HBS244	305	536
HBS244	307	538
HBS244	328	567
HBS244	329	568
HBS244	330	569
HBS244	331	570
HBS244	332	571
HBS244	333	572
HBS244	334	573
HBS244	334	574
HBS244	335	575
HBS244	335	577
HBS244	336	578
HBS244	336	579
HBS244	337	580
HBS244	338	581
HBS244	338	582
HBS244	339	583
HBS244	340	584
HBS244	343	588
HBS244	344	589
HBS244	345	590
HBS244	346	592
HBS244	347	593
HBS244	348	594
HBS244	349	595
HBS244	349	596
HBS244	350	597
HBS244	350	598
HBS244	351	599
HBS244	351	600
HBS245	157	253
HBS245	66	135
HBS245	67	136
HBS245	68	137
HBS245	73	144
HBS245	74	145
HBS245	75	146
HBS245	76	147
HBS254	62	126
HBS254	63	129
HBS254	64	130


 9		
HBS254	64	131
HBS254	65	132
HBS255	202	343
HBS255	203	344
HBS255	204	345
HBS255	204	346
HBS255	205	347
HBS259	133	221
HBS259	134	222
HBS259	135	223
HBS259	135	224
HBS259	136	225
HBS259	78	151
HBS260	85	161
HBS260	86	162
HBS260	97	174
HBS260	97	175
HBS260	98	176
HBS261	137	226
HBS261	138	227
HBS261	139	228
HBS261	140	229
HBS261	141	230
HBS261	142	231
HBS261	143	233
HBS261	144	234
HBS261	146	237
HBS261	147	238
HBS261	148	239
HBS261	149	240
HBS261	153	245
HBS261	153	246
HBS261	154	247
HBS261	155	248
HBS261	155	249
HBS272	173	281
HBS272	174	283
HBS272	174	284
HBS272	175	285
HBS272	385	661
HBS272	386	663
HBS272	386	664
HBS272	386	665
HBS273	191	314
HBS277	115	196
HBS277	121	202
HBS277	122	203
HBS277	123	204
HBS277	124	205
HBS277	125	206
HBS277	126	207
HBS277	127	208
HBS283	208	355
HBS283	209	356
HBS283	209	357
HBS283	210	358
HBS283	211	360
HBS299	246	429
HBS299	247	430
HBS299	247	431


 9		
HBS299	247	432
HBS299	248	433
HBS299	249	434
HBS299	250	435
HBS299	250	436
HBS299	251	437
HBS299	251	438
HBS299	252	439
HBS299	252	441
HBS299	253	442
HBS299	253	443
HBS299	253	445
HBS299	254	447
HBS299	254	448
HBS301	257	458
HBS301	258	459
HBS301	259	462
HBS301	259	463
HBS301	262	468
HBS301	262	469
HBS301	263	470
HBS301	264	471
HBS301	264	472
HBS301	265	473
HBS301	266	475
HBS301	267	476
HBS301	267	477
HBS301	268	478
HBS301	269	480
HBS301	269	482
HBS301	270	483
HBS301	270	484
HBS301	270	485
HBS301	271	486
HBS301	271	487
HBS301	272	488
HBS301	273	489
HBS301	273	490
HBS301	274	491
HBS301	274	492
HBS301	275	493
HBS301	275	494
HBS301	276	495
HBS301	276	497
HBS302	182	297
HBS302	183	298
HBS309	170	275
HBS309	171	276
HBS310	341	585
HBS310	342	586
HBS310	343	587
HBS310	352	602
HBS310	353	603
HBS310	353	604
HBS310	354	605
HBS310	354	606
HBS310	355	607
HBS310	355	608
HBS310	356	609
HBS310	356	610

 9		
HBS310	357	611
HBS310	357	612
HBS310	358	613
HBS359	15	30
HBS359	15	31
HBS359	16	32
HBS359	16	33
HBS359	17	35
HBS359	44	90
HBS359	45	92
HBS359	46	93
HBS359	47	95
HBS359	47	96
HBS372	308	540
HBS372	308	541
HBS372	309	542
HBS372	311	544
HBS372	312	545
HBS372	315	548
HBS372	316	549
HBS372	319	552
HBS372	320	553
HBS372	321	555
HBS372	322	556
HBS372	322	557
HBS372	325	560
HBS372	325	561
HBS372	326	562
HBS372	326	563
HBS372	327	564
HBS372	328	566
HBS373	363	623
HBS373	364	626
HBS373	383	656
HBS373	384	657
HBS373	384	659
HBS373	412	712
HBS373	413	713
HBS373	413	714
HBS431	358	615
HBS431	366	632
HBS431	366	633
HBS489	25	57
HBS502	387	667
HBS502	387	668
HBS508	5	12
HBS522	48	98
HBS522	51	105
HBS522	54	110
HBS522	55	111
HBS522	55	112
HBS522	56	113
HBS522	56	114
HBS522	57	115
HBS522	57	116
HBS522	58	117
HBS522	58	118
HBS524	365	628
HBS535	133	220
HBS535	133	221

 9		
HBS535	136	225
HBS535	77	149
HC341	477	813
HC341	520	865
HC341	521	866
HC346	607	967
HC346	647	1033
HC346	648	1034
HC346	663	1052
HC346	664	1053
HC346	665	1054
HC346	693	1096
HC354	700	1106
HC354	700	1107
HC354	701	1108
HC354	701	1109
HC354	702	1110
HC354	703	1111
HC354	719	1127
HC354	720	1128
HC354	721	1129
HC354	722	1130
HC354	723	1131
HC354	723	1132
HC354	724	1133
HC354	732	1143
HC354	751	1167
HC354	752	1169
HC354	753	1170
HC354	754	1171
HC354	754	1172
HC354	755	1173
HC354	762	1184
HC375	699	1104
HC486	755	1173
HC486	756	1174
HC486	757	1176
HC486	757	1177
HC486	758	1178
HC486	764	1187
HC486	764	1188
HC486	765	1189
HC486	766	1190
HC5004	641	1020
HC5004	642	1021
HL358	18	38
HL358	49	102
HM5289	144	234
HM5289	149	240
HM5290	383	656
HM5290	384	657
HM5290	384	659
HM5290	412	712
HM5290	413	713
HM5291	363	623
HM5291	364	626
HM5292	387	667
HM5292	387	668
HM5369	152	244
HM5369	153	245


 9		
HM5371	55	112
HM5371	56	113
HM5371	56	114
HM5371	57	115
HM5371	57	116
HM5371	58	117
HR300	19	42
HR300	19	43
HR300	2	3
HR300	2	4
HR300	21	48
HR300	21	49
HR300	22	50
HR300	223	388
HR300	224	389
HR300	24	54
HR300	256	455
HR300	410	707
HR300	411	708
HR300	411	709
HR300	48	97
HR300	58	119
HR300	58	120
HR300	59	122
HR300	6	14
HR300	7	15
HR300	7	16
HR300	8	17
HR300	8	18
HR340	187	306
HR340	187	307
HR340	192	316
HR340	193	317
HR340	194	322
HR340	195	323
HR340	195	324
HR340	196	325
HR340	196	327
HR340	197	328
HR363	171	277
HR363	172	278
HR363	172	279
HR397	257	458
HR397	258	459
HR397	259	462
HR397	259	463
HR397	262	468
HR397	262	469
HR397	263	470
HR397	264	471
HR397	264	472
HR397	265	473
HR397	266	475
HR397	267	476
HR397	267	477
HR397	268	478
HR397	269	480
HR397	269	482
HR397	270	485
HR397	271	486


 9		
HR397	272	488
HR397	273	489
HR397	273	490
HR397	274	491
HR397	274	492
HR397	275	493
HR397	275	494
HR397	276	495
HR397	276	497
HR397	341	585
HR397	342	586
HR397	343	587
HR397	352	602
HR397	353	604
HR397	354	606
HR397	355	607
HR397	355	608
HR397	356	609
HR397	356	610
HR397	357	611
HR397	357	612
HR397	358	613
HR397	358	615
HR397	366	632
HR397	366	633
HR397	385	661
HR397	386	663
HR397	386	664
HR397	386	665
HR569	100	178
HR569	100	179
HR569	101	180
HR569	102	181
HR569	105	186
HR569	106	187
HR569	107	188
HR569	108	189
HR569	110	191
HR569	111	192
HR569	112	193
HR569	113	194
HR569	114	195
HR569	115	196
HR569	116	197
HR569	117	198
HR569	118	199
HR569	119	200
HR569	121	202
HR569	122	203
HR569	123	204
HR569	124	205
HR569	125	206
HR569	126	207
HR569	127	208
HR569	128	209
HR569	130	212
HR569	131	214
HR569	131	216
HR569	132	217
HR569	157	253


 9		
HR569	157	254
HR569	158	255
HR569	158	256
HR569	159	257
HR569	160	258
HR569	160	259
HR569	161	260
HR569	161	261
HR569	162	262
HR569	167	270
HR569	168	271
HR569	176	289
HR569	177	290
HR569	177	291
HR569	178	292
HR569	179	294
HR569	180	295
HR569	181	296
HR569	182	297
HR569	183	298
HR569	184	299
HR569	187	308
HR569	188	309
HR569	19	44
HR569	20	46
HR569	21	48
HR569	24	54
HR569	257	456
HR569	282	510
HR569	283	511
HR569	284	512
HR569	285	513
HR569	286	514
HR569	287	515
HR569	288	516
HR569	289	518
HR569	290	519
HR569	290	520
HR569	291	521
HR569	292	522
HR569	293	523
HR569	294	524
HR569	295	525
HR569	297	527
HR569	298	528
HR569	299	529
HR569	300	530
HR569	301	531
HR569	302	532
HR569	304	535
HR569	305	536
HR569	306	537
HR569	307	538
HR569	328	567
HR569	329	568
HR569	330	569
HR569	331	570
HR569	332	571
HR569	333	572
HR569	334	573


NUMERICAL PARTS LIST


Numerische Teilenummernliste • Elenco riferimenti
Liste des références produits


		9
HR569	334	574
HR569	335	575
HR569	335	577
HR569	338	581
HR569	338	582
HR569	339	583
HR569	340	584
HR569	343	588
HR569	344	589
HR569	345	590
HR569	346	592
HR569	347	593
HR569	348	594
HR569	349	595
HR569	349	596
HR569	350	597
HR569	350	598
HR569	367	634
HR569	368	636
HR569	369	638
HR569	370	640
HR569	371	641
HR569	372	642
HR569	373	643
HR569	374	645
HR569	375	646
HR569	376	648
HR569	377	649
HR569	389	673
HR569	390	674
HR569	391	675
HR569	391	676
HR569	392	677
HR569	393	678
HR569	393	679
HR569	394	680
HR569	395	681
HR569	396	682
HR569	396	683
HR569	397	684
HR569	397	685
HR569	399	689
HR569	402	693
HR569	403	694
HR569	403	695
HR569	404	697
HR569	405	698
HR569	405	699
HR569	406	700
HR569	407	701
HR569	408	703
HR569	409	705
HR569	410	706
HR569	413	715
HR569	414	716
HR569	414	717
HR569	49	99
HR569	5	10
HR569	66	135
HR569	67	136


		9
HR569	68	137
HR569	73	144
HR569	74	145
HR569	75	146
HR569	76	147
HR569	79	153
HR569	79	154
HR569	80	155
HR569	80	156
HR569	81	157
HR569	82	158
HR569	83	159
HR569	85	161
HR569	86	162
HR569	88	164
HR569	89	165
HR569	90	166
HR569	91	167
HR569	92	169
HR569	93	170
HR569	94	171
HR569	95	172
HR569	96	173
HR569	97	174
HR569	97	175
HR569	98	176
HR599	10	22
HR599	103	182
HR599	103	183
HR599	104	184
HR599	104	185
HR599	11	24
HR599	12	25
HR599	13	26
HR599	14	28
HR599	162	263
HR599	166	268
HR599	166	269
HR599	216	372
HR599	222	385
HR599	223	386
HR599	225	390
HR599	226	391
HR599	226	392
HR599	227	394
HR599	230	398
HR599	232	402
HR599	233	403
HR599	234	405
HR599	235	406
HR599	25	58
HR599	26	60
HR599	27	61
HR599	277	501
HR599	28	64
HR599	28	65
HR599	29	66
HR599	29	67
HR599	3	7
HR599	30	68


		9
HR599	30	70
HR599	31	71
HR599	31	72
HR599	32	73
HR599	33	75
HR599	34	76
HR599	35	77
HR599	359	616
HR599	359	617
HR599	36	78
HR599	360	618
HR599	360	619
HR599	361	620
HR599	37	79
HR599	378	650
HR599	38	81
HR599	38	82
HR599	380	652
HR599	381	653
HR599	382	655
HR599	39	83
HR599	4	8
HR599	4	9
HR599	40	85
HR599	41	87
HR599	42	88
HR599	43	89
HR599	53	108
HR599	54	109
HR599	60	124
HR599	62	126
HR599	62	127
HR602	202	343
HR602	203	344
HR602	204	345
HR602	204	346
HR602	205	347
HR602	416	720
HR602	420	725
HR602	426	736
HR602	439	760
HR602	440	761
HR602	440	762
HR602	441	763
HR602	442	764
HR602	442	765
HR602	443	766
HR602	443	767
HR602	444	769
HR642	10	21
HR642	10	22
HR642	12	25
HR642	13	27
HR642	14	28
HR642	162	263
HR642	163	264
HR642	163	265
HR642	166	268
HR642	191	314
HR642	20	45

		9
HR642	26	59
HR642	27	62
HR642	28	64
HR642	3	7
HR642	30	68
HR642	30	70
HR642	31	71
HR642	31	72
HR642	32	73
HR642	32	74
HR642	33	75
HR642	35	77
HR642	36	78
HR642	37	80
HR642	39	84
HR642	4	8
HR642	4	9
HR642	40	85
HR642	40	86
HR642	41	87
HR642	42	88
HR642	43	89
HR642	52	107
HR642	53	108
HR642	54	109
HR642	59	123
HR642	61	125
HR642	62	126
HR642	62	127
HR642	9	20
HR643	217	374
HR643	222	385
HR643	223	386
HR643	237	409
HR643	238	411
HR643	239	412
HR643	239	413
HR646	206	350
HR646	208	354
HR646	216	373
HR646	218	376
HR646	219	378
HR646	225	390
HR646	226	391
HR646	226	392
HR646	227	393
HR646	227	394
HR646	228	395
HR646	228	396
HR646	229	397
HR646	230	398
HR646	230	399
HR646	231	400
HR646	233	403
HR646	234	404
HR646	235	406
HR646	236	407
HR646	237	408
HR646	240	414
HR646	240	415

			9
HR646	241	416	
HR646	243	420	
HR646	243	421	
HR646	244	422	
HR646	244	423	
HR646	260	465	
HR646	261	466	
HR646	261	467	
HR646	277	500	
HR646	278	502	
HR646	278	503	
HR646	279	504	
HR646	280	505	
HR646	280	506	
HR646	281	507	
HR646	30	69	
HR646	308	540	
HR646	308	541	
HR646	309	542	
HR646	310	543	
HR646	311	544	
HR646	312	545	
HR646	313	546	
HR646	314	547	
HR646	315	548	
HR646	316	549	
HR646	317	550	
HR646	318	551	
HR646	319	552	
HR646	320	553	
HR646	321	554	
HR646	321	555	
HR646	322	556	
HR646	323	558	
HR646	324	559	
HR646	325	560	
HR646	325	561	
HR646	326	562	
HR646	326	563	
HR646	327	564	
HR646	328	566	
HR646	336	578	
HR646	336	579	
HR646	337	580	
HR662	189	311	
HR662	190	312	
HR662	190	313	
HR662	398	686	
HR662	398	687	
HR662	400	690	
HR662	401	692	
HR662	404	696	
HR662	407	702	
HR788	192	315	
HR788	379	651	
HR791	383	656	
HR791	384	657	
HR791	384	659	
HR791	412	712	
HR791	413	713	


			9
HR805	150	241	
HR805	151	242	
HR805	152	243	
HR805	169	272	
HR805	184	300	
HR805	185	301	
HR805	187	308	
HR805	188	309	
HR814	363	623	
HR814	364	626	
HR817	211	361	
HR817	245	427	
HR817	246	428	
HR817	246	429	
HR817	247	430	
HR817	247	431	
HR817	247	432	
HR817	248	433	
HR817	249	434	
HR817	250	435	
HR817	250	436	
HR817	251	437	
HR817	251	438	
HR817	252	439	
HR817	252	441	
HR817	253	442	
HR817	253	443	
HR817	254	446	
HR817	254	447	
HR817	254	448	
HR817	255	449	
HR817	365	630	
HR5046	137	226	
HR5046	138	227	
HR5046	139	228	
HR5046	140	229	
HR5046	141	230	
HR5046	142	231	
HR5046	144	234	
HR5046	146	237	
HR5046	147	238	
HR5046	148	239	
HR5046	149	240	
HR5046	153	246	
HR5046	154	247	
HR5046	155	248	
HR5046	155	249	
HR5062	173	281	
HR5062	174	283	
HR5062	174	284	
HR5062	175	285	
HR5062	385	661	
HR5062	386	663	
HR5062	386	664	
HR5062	386	665	
HR5064	199	335	
HR5064	199	336	
HR5080	164	266	
HR5080	165	267	
HR5080	78	151	


			9
HR5080	99	177	
HR5081	164	266	
HR5081	165	267	
HR5081	99	177	
HR5082	169	273	
HR5094	387	667	
HR5094	387	668	
HR5111	132	218	
HR5111	71	141	
HR5111	72	142	
HR5111	72	143	
JA5039	360	619	
JA5039	361	620	
JA5040	360	619	
JA5040	361	620	
JB830	17	36	
JB830	49	100	
JB833	18	38	
JB833	18	40	
JB836	18	39	
JB836	49	99	
JB837	18	39	
JB837	49	99	
JB841	129	210	
JB841	130	212	
JB841	131	214	
JB841	131	216	
JB841	132	217	
JB841	176	289	
JB841	177	290	
JB841	177	291	
JB841	178	292	
JB841	179	294	
JB841	65	133	
JB842	132	219	
JB842	175	286	
JB842	175	287	
JB842	176	288	
JB842	185	302	
JB842	186	303	
JB842	186	304	
JB842	197	330	
JB842	198	331	
JB850	206	349	
JB851	207	352	
JB851	207	353	
JB851	217	375	
JB851	221	382	
JB851	221	383	
JB851	222	384	
JB851	237	409	
JB851	238	411	
JB851	239	412	
JB851	239	413	
JB851	244	423	
JB855	255	450	
JB855	255	452	
JB855	256	455	
JB855	257	457	
JB863	17	37	


			9
JB863	2	1	
JB863	2	2	
JB864	17	36	
JB864	2	1	
JB864	49	100	
JB868	187	306	
JB868	187	307	
JB868	192	316	
JB868	193	317	
JB868	194	322	
JB868	195	323	
JB868	195	324	
JB868	196	325	
JB869	156	250	
JB869	187	306	
JB869	187	307	
JB869	192	316	
JB869	193	317	
JB869	193	318	
JB869	193	319	
JB869	194	321	
JB869	194	322	
JB869	195	323	
JB869	195	324	
JB869	196	325	
JB869	198	334	
JB875	58	119	
JB875	58	120	
JB875	59	122	
JB954	180	295	
JB954	181	296	
JB954	182	297	
JB954	183	298	
JB954	184	299	
JB954	389	673	
JB954	390	674	
JB954	391	675	
JB954	391	676	
JB954	392	677	
JB954	393	678	
JB954	393	679	
JB954	394	680	
JB954	395	681	
JB954	396	682	
JB954	396	683	
JB954	397	684	
JB954	397	685	
JB954	402	693	
JB954	403	694	
JB954	403	695	
JB954	404	697	
JB954	405	698	
JB954	405	699	
JB954	406	700	
JB954	407	701	
JB954	409	705	
JB954	410	706	
JB997	240	414	
JC054	175	287	
JC054	201	342	


NUMERICAL PARTS LIST


Numerische Teilenummernliste • Elenco riferimenti
Liste des références produits


 9		
JC054	202	343
JC054	203	344
JC054	204	345
JC054	204	346
JC054	205	347
JC054	415	718
JC054	416	719
JC054	416	720
JC054	417	721
JC054	418	722
JC054	419	723
JC054	420	724
JC054	420	725
JC054	421	726
JC054	421	727
JC054	422	729
JC054	423	730
JC054	423	731
JC054	423	732
JC054	424	733
JC054	424	734
JC054	425	735
JC054	426	736
JC054	426	737
JC054	427	738
JC054	427	739
JC054	428	741
JC054	429	742
JC054	430	743
JC054	431	744
JC054	432	745
JC054	433	746
JC054	434	747
JC054	435	749
JC054	435	750
JC054	436	751
JC054	436	752
JC054	437	753
JC054	439	760
JC054	440	761
JC054	440	762
JC054	441	763
JC054	442	764
JC054	442	765
JC054	443	766
JC054	443	767
JC054	443	768
JC054	444	769
JC055	201	342
JC055	202	343
JC055	203	344
JC055	204	345
JC055	204	346
JC055	205	347
JC055	415	718
JC055	416	719
JC055	416	720
JC055	417	721
JC055	418	722


 9		
JC055	419	723
JC055	420	724
JC055	420	725
JC055	421	726
JC055	421	727
JC055	423	732
JC055	424	733
JC055	425	735
JC055	426	736
JC055	427	738
JC055	428	741
JC055	429	742
JC055	430	743
JC055	431	744
JC055	432	745
JC055	433	746
JC055	434	747
JC055	434	748
JC055	435	749
JC055	435	750
JC055	436	751
JC055	436	752
JC055	437	753
JC055	439	760
JC055	440	761
JC055	440	762
JC055	441	763
JC055	442	764
JC055	442	765
JC055	443	766
JC055	443	767
JC055	444	769
JC091	198	332
JC091	198	333
JC091	200	339
JC091	200	340
JC091	201	341
JC238	392	677
JC238	393	678
JC238	394	680
JC238	395	681
JC238	396	682
JC238	396	683
JC238	397	684
JC238	397	685
JC238	402	693
JC238	403	694
JC238	403	695
JC238	404	697
JC238	405	698
JC238	405	699
JC238	406	700
JC238	409	705
JC238	410	706
JC386	257	456
JC415	100	178
JC415	100	179
JC415	101	180
JC415	102	181
JC415	105	186


 9		
JC415	106	187
JC415	107	188
JC415	108	189
JC415	157	253
JC415	157	254
JC415	158	255
JC415	161	261
JC415	162	262
JC415	167	270
JC415	168	271
JC415	79	153
JC415	79	154
JC415	80	155
JC415	80	156
JC415	81	157
JC415	82	158
JC415	83	159
JC415	88	164
JC415	89	165
JC415	90	166
JC415	91	167
JC415	92	169
JC415	93	170
JC415	94	171
JC415	95	172
JC415	96	173
JC423	109	190
JC423	110	191
JC423	111	192
JC423	112	193
JC423	113	194
JC423	114	195
JC423	120	201
JC423	123	204
JC423	124	205
JC423	128	209
JC423	66	135
JC423	67	136
JC423	68	137
JC669	206	350
JC669	208	354
JC669	216	373
JC669	217	374
JC669	218	376
JC669	219	378
JC669	240	415
JC669	241	416
JC669	241	417
JC669	242	418
JC669	242	419
JC669	243	420
JC669	243	421
JC669	244	422
JC669	245	425
JC702	10	21
JC702	13	27
JC702	14	28
JC702	19	44
JC702	20	45
JC702	20	46

 9		
JC702	26	59
JC702	26	60
JC702	27	61
JC702	27	62
JC702	28	64
JC702	28	65
JC702	29	67
JC702	3	7
JC702	30	68
JC702	30	69
JC702	30	70
JC702	31	71
JC702	31	72
JC702	32	73
JC702	32	74
JC702	33	75
JC702	34	76
JC702	35	77
JC702	36	78
JC702	37	79
JC702	37	80
JC702	38	81
JC702	38	82
JC702	4	8
JC702	4	9
JC702	40	85
JC702	40	86
JC702	41	87
JC702	42	88
JC702	43	89
JC702	59	123
JC702	61	125
JC702	62	127
JC702	9	20
JC712	188	310
JC750	100	178
JC750	100	179
JC750	101	180
JC750	102	181
JC750	105	186
JC750	106	187
JC750	107	188
JC750	108	189
JC750	79	153
JC750	79	154
JC750	80	155
JC750	80	156
JC750	81	157
JC750	82	158
JC750	83	159
JC750	88	164
JC750	89	165
JC750	90	166
JC750	91	167
JC750	92	169
JC750	93	170
JC750	94	171
JC750	95	172
JC750	96	173
JC759	110	191

		9
JC759	111	192
JC759	112	193
JC759	113	194
JC759	114	195
JC759	115	196
JC759	116	197
JC759	117	198
JC759	118	199
JC759	119	200
JC759	121	202
JC759	122	203
JC759	123	204
JC759	124	205
JC759	125	206
JC759	126	207
JC759	128	209
JC875	219	377
JC876	219	377
JC876	411	710
JC876	412	711
JC955	225	390
JC955	226	391
JC955	226	392
JC955	227	393
JC955	227	394
JC955	228	395
JC955	228	396
JC955	229	397
JC955	230	399
JC955	231	400
JC955	232	402
JC955	233	403
JC955	234	404
JC955	234	405
JC956	225	390
JC956	226	391
JC956	226	392
JC956	227	393
JC956	227	394
JC956	228	395
JC956	228	396
JC956	229	397
JC956	230	399
JC956	231	400
JC956	232	402
JC956	233	403
JC956	234	404
JC956	234	405
JC956	235	406
JC956	236	407
JC991	112	193
JC991	116	197
JC991	117	198
JC991	118	199
JC991	119	200
JC991	123	204
JC991	124	205
JC991	127	208
JC991	128	209
JD064	199	335


		9
JD065	199	336
JD066	199	335
JD066	199	336
JD146	171	277
JD146	172	278
JD146	172	279
JD230	150	241
JD230	151	242
JD230	152	243
JD230	169	272
JD231	222	385
JD231	223	386
JD245	367	634
JD245	368	636
JD245	369	638
JD245	370	640
JD245	371	641
JD245	372	642
JD245	373	643
JD245	374	645
JD245	375	646
JD245	376	648
JD245	377	649
JD409	256	454
JD409	283	511
JD409	284	512
JD409	285	513
JD409	286	514
JD409	287	515
JD409	288	516
JD409	289	518
JD409	290	519
JD409	290	520
JD409	291	521
JD409	292	522
JD409	293	523
JD409	294	524
JD409	295	525
JD409	297	527
JD409	298	528
JD409	299	529
JD409	300	530
JD409	304	535
JD409	305	536
JD409	307	538
JD409	328	567
JD409	329	568
JD409	330	569
JD409	331	570
JD409	332	571
JD409	333	572
JD409	334	573
JD409	334	574
JD409	335	575
JD409	335	577
JD409	345	590
JD410	336	578
JD410	336	579
JD410	337	580
JD410	359	616


		9
JD410	359	617
JD411	336	578
JD411	336	579
JD411	337	580
JD411	359	616
JD413	398	686
JD413	398	687
JD413	401	692
JD413	404	696
JD414	398	686
JD414	398	687
JD414	401	692
JD414	404	696
JD416	399	689
JD416	400	690
JD416	407	702
JD418	230	398
JD418	235	406
JD418	236	407
JD418	237	408
JD418	260	465
JD418	261	466
JD418	261	467
JD418	277	500
JD418	278	502
JD418	278	503
JD418	279	504
JD418	280	505
JD418	280	506
JD419	338	581
JD419	338	582
JD419	339	583
JD419	340	584
JD419	343	588
JD419	344	589
JD419	346	592
JD419	347	593
JD419	348	594
JD419	349	595
JD419	349	596
JD419	350	597
JD419	350	598
JD420	212	362
JD420	212	363
JD420	213	364
JD420	213	365
JD420	214	366
JD420	214	367
JD421	212	363
JD421	213	364
JD421	213	365
JD421	214	366
JD421	214	367
JD434	277	500
JD434	278	502
JD434	279	504
JD435	378	650
JD435	379	651
JD435	380	652
JD435	381	653


		9
JD435	381	654
JD435	382	655
JD436	378	650
JD436	379	651
JD436	380	652
JD436	381	653
JD436	381	654
JD436	382	655
JD463	282	510
JD463	301	531
JD463	302	532
JD463	303	534
JD463	306	537
JD498	53	108
JD519	157	253
JD519	158	255
JD519	161	261
JD519	85	161
JD519	86	162
JD519	97	175
JD519	98	176
JD520	158	256
JD520	159	257
JD520	85	161
JD520	86	162
JD520	97	174
JD520	98	176
JD529	150	241
JD529	151	242
JD529	152	243
JD529	169	272
JD530	59	123
JD530	61	125
JD530	62	127
JD531	189	311
JD531	190	312
JD531	192	315
JD532	189	311
JD532	190	312
JD532	192	315
JD535	162	263
JD535	163	264
JD535	163	265
JD535	166	268
JD535	166	269
JD536	162	263
JD536	163	264
JD536	163	265
JD536	164	266
JD536	165	267
JD536	166	268
JD536	166	269
JD538	30	68
JD538	30	69
JD538	33	75
JD538	35	77
JD539	164	266
JD539	165	267
JD551	10	21
JD551	13	27


NUMERICAL PARTS LIST


Numerische Teilenummernliste • Elenco riferimenti
Liste des références produits


		 9
JD551	14	28
JD551	26	59
JD551	26	60
JD551	27	61
JD551	27	62
JD551	28	64
JD551	28	65
JD551	3	7
JD551	30	70
JD551	32	73
JD551	32	74
JD551	35	77
JD551	36	78
JD551	37	79
JD551	37	80
JD551	38	81
JD551	38	82
JD551	4	8
JD551	4	9
JD551	40	85
JD551	40	86
JD551	41	87
JD551	42	88
JD551	43	89
JD551	9	20
JD5189	308	540
JD5189	308	541
JD5189	309	542
JD5189	310	543
JD5189	311	544
JD5189	312	545
JD5189	313	546
JD5189	314	547
JD5189	315	548
JD5189	316	549
JD5189	317	550
JD5189	318	551
JD5189	319	552
JD5189	320	553
JD5189	321	554
JD5189	321	555
JD5189	322	556
JD5189	322	557
JD5189	323	558
JD5189	324	559
JD5189	325	560
JD5189	326	563
JD5189	327	564
JD5189	328	566
JD5190	137	226
JD5190	138	227
JD5190	139	228
JD5190	140	229
JD5190	141	230
JD5190	142	231
JD5190	146	237
JD5190	147	238
JD5190	148	239
JD5191	137	226
JD5191	138	227


		 9
JD5191	139	228
JD5191	140	229
JD5191	141	230
JD5191	142	231
JD5191	146	237
JD5191	147	238
JD5191	148	239
JD5192	73	144
JD5192	74	145
JD5192	75	146
JD5192	76	147
JD5254	97	174
JD5280	73	144
JD5280	74	145
JD5315	230	398
JD5315	237	408
JD5315	260	465
JD5315	261	466
JD5315	261	467
JD5315	278	503
JD5315	280	506
JD5316	236	407
JD5316	280	505
JD5393	257	458
JD5393	258	459
JD5393	258	460
JD5393	259	462
JD5393	259	463
JD5393	262	468
JD5393	262	469
JD5393	263	470
JD5393	264	471
JD5393	264	472
JD5393	265	473
JD5393	266	475
JD5393	267	476
JD5393	267	477
JD5393	268	478
JD5393	269	480
JD5393	269	481
JD5393	269	482
JD5393	270	483
JD5393	270	485
JD5393	271	486
JD5393	271	487
JD5393	272	488
JD5393	273	489
JD5393	273	490
JD5393	274	491
JD5393	274	492
JD5393	275	493
JD5393	275	494
JD5393	276	495
JD5393	276	497
JD5394	257	458
JD5394	258	459
JD5394	258	460
JD5394	259	462
JD5394	259	463
JD5394	262	468


		 9
JD5394	262	469
JD5394	263	470
JD5394	264	471
JD5394	264	472
JD5394	265	473
JD5394	266	475
JD5394	268	478
JD5394	269	480
JD5394	271	486
JD5394	273	490
JD5394	274	491
JD5394	275	493
JD5394	275	494
JD5394	276	495
JD5394	276	497
JD5402	245	427
JD5402	246	428
JD5402	246	429
JD5402	247	430
JD5402	247	431
JD5402	247	432
JD5402	248	433
JD5402	249	434
JD5402	250	435
JD5402	250	436
JD5402	251	437
JD5402	251	438
JD5402	252	439
JD5402	252	441
JD5402	253	442
JD5402	253	443
JD5402	253	444
JD5402	253	445
JD5402	254	446
JD5402	254	447
JD5402	254	448
JD5402	255	449
JD5763	103	182
JD5763	103	183
JD5763	104	184
JD5763	104	185
JD5764	103	182
JD5764	103	183
JD5764	104	184
JD5764	104	185
JD5782	378	650
JD5782	380	652
JD5782	381	653
JD5782	382	655
JD5829	15	30
JD5829	16	32
JD5829	16	33
JD5829	17	35
JD5829	44	90
JD5829	46	93
JD5829	47	95
JD5829	47	96
JD5830	17	35
JD5830	44	90
JD5830	46	93

		 9
JD5830	47	95
JD5830	47	96
JD5831	25	57
JD5831	63	129
JD5831	65	132
JD5841	219	377
JD5845	5	12
JD5846	5	12
JD5863	5	12
JD5878	174	283
JD5878	385	661
JD5878	386	663
JD5878	386	664
JD5878	386	665
JD5879	174	283
JD5879	386	663
JD5879	386	664
JD5880	174	283
JD5880	386	663
JD5880	386	664
JD5881	144	234
JD5881	149	240
JD5882	25	57
JD5883	170	275
JD5883	171	276
JD5884	208	355
JD5884	209	356
JD5884	209	357
JD5884	210	358
JD5884	211	360
JD5885	208	355
JD5885	209	356
JD5885	209	357
JD5885	210	358
JD5885	211	360
JD5886	358	613
JD5887	358	613
JD5888	358	613
JD5889	358	615
JD5889	366	632
JD5889	366	633
JD5890	325	561
JD5890	326	562
JD5890	326	563
JD5890	327	564
JD5890	328	566
JD5891	383	656
JD5891	384	657
JD5891	384	659
JD5891	412	712
JD5891	413	713
JD5892	383	656
JD5892	384	657
JD5892	384	659
JD5892	412	712
JD5892	413	713
JD5893	257	458
JD5893	258	459
JD5893	258	460
JD5893	259	462

		9
JD5893	259	463
JD5894	267	476
JD5894	267	477
JD5894	269	482
JD5894	270	485
JD5894	272	488
JD5894	273	489
JD5894	274	492
JD5895	363	623
JD5895	364	626
JD5896	387	667
JD5896	387	668
JD5897	387	667
JD5897	387	668
JD5906	173	281
JD5906	174	284
JD5906	175	285
JD5906	385	661
JD5906	386	665
JD5906	387	666
JD5907	173	281
JD5907	174	284
JD5907	175	285
JD5907	385	661
JD5907	386	665
JD5907	387	666
JD5908	341	585
JD5908	342	586
JD5908	343	587
JD5908	352	602
JD5908	353	603
JD5908	356	609
JD5908	356	610
JD5908	365	628
JD5910	341	585
JD5910	342	586
JD5910	343	587
JD5910	352	602
JD5910	353	603
JD5910	354	605
JD5910	354	606
JD5910	355	607
JD5910	355	608
JD5910	356	609
JD5910	356	610
JD5910	357	611
JD5910	357	612
JD5910	358	615
JD5910	365	628
JD5910	366	632
JD5910	366	633
JD5911	353	604
JD5911	354	605
JD5911	354	606
JD5911	355	607
JD5911	355	608
JD5911	357	611
JD5911	357	612
JD5912	383	656


		9
JD5912	384	657
JD5912	384	659
JD5937	363	623
JD5937	364	626
JD5937	364	627
JD5940	276	496
JD5971	133	221
JD5971	136	225
JD5972	109	190
JD5972	110	191
JD5972	120	201
JD5972	128	209
JD5972	66	135
JD5972	67	136
JD5972	68	137
JD5998	169	273
JD5999	132	218
JD5999	71	141
JD5999	72	142
JD5999	72	143
JD6023	73	144
JD6023	74	145
JD6023	75	146
JD6023	76	147
JD6033	211	361
JD6034	48	98
JD6034	50	103
JD6034	50	104
JD6034	51	105
JD6034	51	106
JD6034	54	110
JD6034	55	111
JD6038	211	361
JE126	199	337
JE145	59	122
JE189	10	21
JE189	13	27
JE189	14	28
JE189	19	44
JE189	20	45
JE189	20	46
JE189	26	59
JE189	27	62
JE189	28	64
JE189	3	7
JE189	30	70
JE189	31	71
JE189	31	72
JE189	32	74
JE189	35	77
JE189	36	78
JE189	37	80
JE189	4	8
JE189	4	9
JE189	40	85
JE189	40	86
JE189	43	89
JE189	59	123
JE189	61	125
JE189	9	20


		9
JE646	129	210
JE646	176	288
JE646	184	300
JE646	186	303
JE646	65	133
JE647	131	214
JE647	176	289
JE647	177	290
JE647	179	294
JE647	19	43
JE647	48	97
JE647	58	119
JE647	6	14
JE647	8	18
JE651	156	251
JE651	186	305
JE651	187	307
JE651	192	316
JE651	195	323
JE651	196	325
JE651	196	327
JE651	197	328
JE5044	62	126
JE5044	64	130
JE5060	355	608
JE5061	326	563
JE5061	327	564
JE5061	328	566
JE5062	326	563
JE5062	327	564
JE5062	328	566
JE5064	387	667
JE5069	174	284
JE5069	385	661
JE5070	174	284
JE5070	385	661
JE5071	174	284
JE5071	385	661
JE5072	25	57
JE5072	29	66
JE5072	29	67
JE5072	34	76
JE5072	35	77
JE5072	63	129
JE5072	64	131
JE5072	65	132
JF067	39	84
JF067	52	107
JF067	53	108
JF067	54	109
JF123	202	343
JF123	204	345
JF123	420	725
JF123	421	726
JF123	423	732
JF123	426	736
JF150	171	277
JH5041	807	1251
JH5041	808	1252
JH5041	811	1255


		9
JH5041	812	1256
JH5041	813	1257
JH5041	814	1258
JH5041	816	1259
JH5041	819	1262
JH5041	821	1263
JH5041	825	1266
JH5041	826	1267
JH5041	837	1277
JH5041	838	1278
JH5041	839	1279
JH5041	841	1280
JH5041	842	1281
JH5041	844	1283
JH5041	845	1284
JH5041	845	1285
JH5041	846	1286
JH5041	847	1287
JH5041	847	1288
JH5041	848	1289
JH5041	849	1290
JH5041	849	1291
JH5041	850	1292
JH5041	851	1293
JH5041	852	1294
JH5041	852	1295
JH5041	853	1296
JH5041	854	1297
JH5041	855	1299
JH5041	855	1300
JH5041	857	1302
JH5041	857	1303
JH5041	870	1319
JH5041	870	1320
JH5041	874	1325
JH5041	881	1331
JH5041	882	1333
JH5041	883	1334
JH5041	884	1335
JH5041	884	1336
JH5041	885	1337
JH5041	885	1338
JH5041	886	1339
JH5041	887	1342
JH5041	887	1344
JH5041	888	1345
JH5041	891	1349
JH5041	898	1360
JH5107	532	885
JH5107	532	886
JH5107	533	887
JH5107	535	890
JH5108	790	1226
JH5108	791	1227
JH5108	797	1235
JH5108	798	1236
JH5108	798	1237
JH5108	799	1238
JH5108	799	1239
JH5109	766	1191


NUMERICAL PARTS LIST


Numerische Teilenummernliste • Elenco riferimenti
Liste des références produits


				9
JH5109	767	1192		
JH5109	768	1193		
JH5109	770	1195		
JH5109	771	1196		
JH5109	772	1197		
JH5109	773	1198		
JH5109	774	1199		
JH5109	775	1200		
JH5109	776	1201		
JH5109	777	1202		
JH5109	778	1203		
JH5109	778	1204		
JH5109	779	1205		
JH5109	800	1241		
JH5109	801	1242		
JH5109	801	1243		
JH5178	1002	1455		
JH5178	1004	1456		
JH5178	1013	1462		
JH5178	1014	1463		
JH5178	694	1097		
JH5178	694	1098		
JH5178	695	1099		
JJ057	478	815		
JJ057	520	864		
JJ057	523	872		
JJ057	524	873		
JJ057	524	874		
JJ057	525	875		
JJ057	525	876		
JJ057	526	877		
JJ057	537	894		
JJ100	986	1443		
JJ283	538	895		
JJ283	539	896		
JJ283	539	897		
JJ283	541	898		
JJ283	542	899		
JJ283	548	908		
JJ283	549	909		
JJ283	550	911		
JJ283	552	912		
JJ283	553	913		
JJ283	554	914		
JJ283	555	915		
JJ283	556	916		
JJ283	558	917		
JJ283	559	918		
JJ283	561	919		
JJ283	562	920		
JJ283	563	921		
JJ283	564	922		
JJ283	565	923		
JJ283	567	925		
JJ283	569	926		
JJ283	570	927		
JJ283	571	928		
JJ283	572	929		
JJ283	573	931		
JJ283	576	934		


				9
JJ283	577	935		
JJ283	579	936		
JJ283	580	937		
JJ283	581	939		
JJ283	582	940		
JJ283	583	941		
JJ283	585	942		
JJ283	586	943		
JJ283	587	944		
JJ283	588	945		
JJ283	589	946		
JJ283	590	947		
JJ283	591	948		
JJ283	592	949		
JJ283	593	950		
JJ283	594	951		
JJ283	595	952		
JJ283	596	953		
JJ283	620	988		
JJ283	621	989		
JJ283	621	990		
JJ283	630	1006		
JJ283	631	1007		
JJ283	632	1008		
JJ283	633	1009		
JJ283	634	1010		
JJ283	635	1011		
JJ283	635	1012		
JJ283	638	1016		
JJ283	639	1017		
JJ283	639	1018		
JJ283	640	1019		
JJ407	738	1150		
JJ407	739	1151		
JJ407	740	1152		
JJ407	741	1153		
JJ407	742	1154		
JJ407	743	1155		
JJ407	744	1156		
JJ407	747	1161		
JJ453	550	910		
JJ453	643	1023		
JJ453	643	1024		
JJ484	688	1091		
JJ484	689	1092		
JJ519	1000	1452		
JJ519	1002	1454		
JJ519	1006	1457		
JJ519	1010	1460		
JJ519	1012	1461		
JJ519	1016	1464		
JJ519	1018	1465		
JJ519	1019	1466		
JJ519	1022	1468		
JJ519	1024	1469		
JJ519	1026	1470		
JJ519	1028	1471		
JJ519	1030	1472		
JJ519	1032	1473		
JJ519	1035	1475		


				9
JJ519	1035	1476		
JJ519	1036	1477		
JJ519	1037	1478		
JJ519	1039	1479		
JJ519	1040	1480		
JJ519	1043	1486		
JJ519	983	1441		
JJ519	984	1442		
JJ519	986	1443		
JJ519	987	1444		
JJ519	989	1445		
JJ519	990	1446		
JJ519	992	1447		
JJ519	995	1449		
JJ519	997	1450		
JJ519	999	1451		
JJ549	1034	1474		
JJ557	809	1253		
JJ557	810	1254		
JJ557	812	1256		
JJ557	817	1260		
JJ557	818	1261		
JJ557	822	1264		
JJ557	823	1265		
JJ557	827	1268		
JJ557	828	1269		
JJ557	829	1270		
JJ557	830	1271		
JJ557	831	1272		
JJ557	833	1273		
JJ557	834	1274		
JJ557	835	1275		
JJ557	843	1282		
JJ557	859	1305		
JJ557	860	1306		
JJ557	861	1307		
JJ557	862	1309		
JJ557	863	1310		
JJ557	863	1311		
JJ557	864	1312		
JJ557	865	1313		
JJ557	865	1314		
JJ557	866	1315		
JJ557	867	1316		
JJ557	868	1317		
JJ557	868	1318		
JJ557	871	1321		
JJ557	872	1322		
JJ557	872	1323		
JJ557	875	1326		
JJ557	876	1327		
JJ557	878	1328		
JJ557	879	1329		
JJ557	880	1330		
JJ557	888	1347		
JJ557	889	1348		
JJ557	892	1350		
JJ558	658	1044		
JJ558	659	1046		
JJ558	660	1047		

				9
JJ558	899	1361		
JJ558	905	1365		
JJ558	907	1366		
JJ558	912	1369		
JJ558	916	1372		
JJ558	919	1374		
JJ558	937	1393		
JJ558	938	1394		
JJ558	939	1395		
JJ558	940	1396		
JJ558	941	1397		
JJ558	942	1398		
JJ558	943	1399		
JJ558	945	1400		
JJ558	945	1401		
JJ558	946	1402		
JJ558	947	1403		
JJ558	952	1410		
JJ558	955	1414		
JJ558	958	1417		
JJ558	966	1423		
JJ558	968	1424		
JJ558	969	1425		
JJ558	971	1426		
JJ558	973	1427		
JJ558	974	1428		
JJ558	976	1429		
JJ559	905	1365		
JJ559	912	1369		
JJ559	917	1373		
JJ559	919	1374		
JJ559	946	1402		
JJ559	952	1410		
JJ559	952	1411		
JJ559	958	1417		
JJ559	966	1423		
JJ559	968	1424		
JJ559	969	1425		
JJ559	971	1426		
JJ559	973	1427		
JJ559	974	1428		
JJ559	976	1429		
JJ562	948	1405		
JJ562	951	1409		
JJ562	952	1411		
JJ562	953	1412		
JJ562	954	1413		
JJ565	705	1115		
JJ565	707	1116		
JJ565	708	1117		
JJ565	709	1118		
JJ565	711	1119		
JJ565	712	1120		
JJ565	713	1121		
JJ568	929	1381		
JJ568	930	1382		
JJ568	931	1383		
JJ568	932	1384		
JJ568	933	1385		
JJ568	934	1386		

		9
JJ568	979	1434
JJ568	980	1435
JJ586	451	779
JJ586	451	780
JJ586	452	781
JJ586	465	794
JJ586	466	795
JJ586	467	796
JJ586	468	797
JJ586	468	798
JJ586	469	799
JJ586	470	800
JJ586	480	818
JJ586	481	819
JJ586	482	820
JJ586	490	829
JJ586	492	832
JJ586	493	833
JJ586	504	846
JJ586	506	848
JJ586	508	851
JJ586	509	852
JJ586	510	853
JJ586	511	854
JJ586	513	855
JJ587	498	840
JJ587	499	841
JJ587	522	870
JJ587	527	878
JJ587	528	880
JJ587	529	882
JJ587	530	883
JJ587	531	884
JJ588	668	1063
JJ588	668	1064
JJ588	669	1065
JJ588	670	1066
JJ588	670	1067
JJ613	1045	1488
JJ613	1046	1489
JJ613	1047	1490
JJ613	1049	1492
JJ613	694	1097
JJ613	694	1098
JJ613	695	1099
JM5027	199	335
JM5027	199	336
JM5037	169	273
JM5037	170	274
JM5086	308	540
JM5086	308	541
JM5086	309	542
JM5086	310	543
JM5086	311	544
JM5086	312	545
JM5086	313	546
JM5086	314	547
JM5086	315	548
JM5086	316	549
JM5086	317	550


		9
JM5086	318	551
JM5086	319	552
JM5086	320	553
JM5086	321	554
JM5086	321	555
JM5086	322	556
JM5086	322	557
JM5086	323	558
JM5086	324	559
JM5086	325	560
JM5086	325	561
JM5086	326	562
JM5086	326	563
JM5086	327	564
JM5086	328	566
JM5087	138	227
JM5087	139	228
JM5087	140	229
JM5087	141	230
JM5087	142	231
JM5087	146	237
JM5087	147	238
JM5087	148	239
JM5088	73	144
JM5088	74	145
JM5088	75	146
JM5088	76	147
JM5089	73	144
JM5089	74	145
JM5089	75	146
JM5089	76	147
JM5131	212	363
JM5131	213	364
JM5131	213	365
JM5131	214	366
JM5131	214	367
JM5139	133	221
JM5139	135	223
JM5139	135	224
JM5139	136	225
JM5139	170	275
JM5139	171	276
JM5139	77	149
JM5139	78	151
JM5141	137	226
JM5141	139	228
JM5141	140	229
JM5141	141	230
JM5141	144	234
JM5141	153	246
JM5141	154	247
JM5185	208	355
JM5185	209	356
JM5185	209	357
JM5185	210	358
JM5281	219	377
JM5283	133	221
JM5283	135	223
JM5283	135	224
JM5283	136	225


		9
JM5283	170	275
JM5283	171	276
JM5283	77	149
JM5283	78	151
JM5299	15	30
JM5299	15	31
JM5299	16	32
JM5299	16	33
JM5317	444	770
JM5317	445	772
JM7034	17	35
JM7034	44	90
JM7035	63	129
JM7035	65	132
JM7042	5	12
JM7051	25	57
JM7052	25	57
JM7053	211	360
JM7054	246	429
JM7054	247	430
JM7054	247	431
JM7054	247	432
JM7054	248	433
JM7054	249	434
JM7054	250	435
JM7054	250	436
JM7054	251	437
JM7054	251	438
JM7054	252	439
JM7054	252	441
JM7054	254	447
JM7094	71	141
JM7094	72	142
JM7094	72	143
JM7121	164	266
JM7121	99	177
JM7125	211	361
JN232	17	36
JN232	2	1
JN232	49	100
JN234	156	250
JN234	156	251
JN234	186	305
JN234	192	316
JN234	196	327
JN234	197	328
JN238	18	39
JN238	49	99
JN244	129	210
JN244	130	212
JN244	131	214
JN244	131	216
JN244	132	217
JN244	176	289
JN244	177	290
JN244	177	291
JN244	178	292
JN244	179	294
JN244	65	133
JN245	176	288


		9
JN245	186	303
JN245	186	304
JN245	197	330
JN245	198	331
JN245	201	341
JN248	222	384
JN250	256	455
JN251	206	349
JN253	187	306
JN253	187	307
JN253	193	317
JN292	180	295
JN292	181	296
JN292	182	297
JN292	183	298
JN292	184	299
JN292	389	673
JN292	390	674
JN292	391	675
JN292	391	676
JN292	392	677
JN292	393	678
JN292	393	679
JN292	394	680
JN292	395	681
JN292	396	682
JN292	396	683
JN292	397	684
JN292	397	685
JN292	399	689
JN292	402	693
JN292	403	694
JN292	404	697
JN292	405	698
JN292	405	699
JN292	406	700
JN292	407	701
JN292	408	703
JN292	409	705
JN292	410	706
JN302	410	707
JN302	411	708
JN302	411	709
JN302	411	710
JN302	412	711
JN302	414	716
JN302	414	717
JN303	410	707
JN303	411	708
JN303	411	710
JN303	412	711
JN303	414	716
JN303	414	717
JN369	238	410
JN426	193	317
JN426	193	318
JN426	193	319
JN426	193	320
JN426	194	321


NUMERICAL PARTS LIST


Numerische Teilenummernliste • Elenco riferimenti
Liste des références produits


 9		
JN426	194	322
JN426	195	323
JN426	195	324
JN426	196	325
JN426	198	334
JN462	416	720
JN544	110	191
JN544	111	192
JN544	112	193
JN544	113	194
JN544	114	195
JN544	115	196
JN544	116	197
JN544	117	198
JN544	118	199
JN544	119	200
JN544	121	202
JN544	122	203
JN544	123	204
JN544	124	205
JN544	125	206
JN544	126	207
JN544	127	208
JN544	128	209
JN544	66	135
JN544	67	136
JN544	68	137
JN547	100	178
JN547	100	179
JN547	101	180
JN547	102	181
JN547	105	186
JN547	106	187
JN547	107	188
JN547	108	189
JN547	157	253
JN547	157	254
JN547	158	255
JN547	160	258
JN547	160	259
JN547	161	260
JN547	161	261
JN547	162	262
JN547	167	270
JN547	168	271
JN547	79	153
JN547	79	154
JN547	80	155
JN547	80	156
JN547	81	157
JN547	82	158
JN547	83	159
JN547	88	164
JN547	89	165
JN547	90	166
JN547	91	167
JN547	92	169
JN547	93	170
JN547	94	171
JN547	95	172


 9		
JN547	96	173
JN594	415	718
JN594	416	719
JN594	416	720
JN594	417	721
JN594	418	722
JN594	419	723
JN594	420	724
JN594	421	727
JN594	423	732
JN594	425	735
JN594	427	738
JN594	428	741
JN594	429	742
JN594	430	743
JN594	436	751
JN594	436	752
JN596	19	43
JN596	2	3
JN596	2	4
JN596	21	48
JN596	21	49
JN596	22	50
JN596	223	388
JN596	224	389
JN596	24	54
JN596	26	60
JN596	5	10
JN596	6	14
JN596	7	15
JN596	7	16
JN596	8	17
JN596	8	18
JN600	206	350
JN600	207	351
JN600	207	352
JN600	207	353
JN600	208	354
JN600	216	373
JN600	217	374
JN600	217	375
JN600	218	376
JN600	219	378
JN600	221	382
JN600	221	383
JN600	237	409
JN600	238	411
JN600	239	412
JN600	239	413
JN600	240	414
JN600	240	415
JN600	241	416
JN600	241	417
JN600	242	418
JN600	242	419
JN600	243	420
JN600	243	421
JN600	244	422
JN600	244	423
JN600	245	425


 9		
JN658	10	21
JN658	10	22
JN658	11	24
JN658	12	25
JN658	13	27
JN658	14	28
JN658	19	44
JN658	20	45
JN658	20	46
JN658	26	59
JN658	27	61
JN658	27	62
JN658	28	64
JN658	28	65
JN658	29	67
JN658	3	7
JN658	30	68
JN658	30	69
JN658	30	70
JN658	31	71
JN658	31	72
JN658	32	73
JN658	32	74
JN658	33	75
JN658	34	76
JN658	35	77
JN658	36	78
JN658	37	79
JN658	37	80
JN658	38	81
JN658	38	82
JN658	4	8
JN658	4	9
JN658	40	85
JN658	40	86
JN658	41	87
JN658	42	88
JN658	43	89
JN658	59	123
JN658	61	125
JN658	62	127
JN658	9	20
JN697	367	634
JN697	368	636
JN697	369	638
JN697	373	643
JN697	374	645
JN697	375	646
JN732	256	454
JN732	282	510
JN732	283	511
JN732	284	512
JN732	285	513
JN732	286	514
JN732	287	515
JN732	288	516
JN732	289	518
JN732	290	519
JN732	290	520
JN732	291	521

 9		
JN732	292	522
JN732	293	523
JN732	294	524
JN732	295	525
JN732	297	527
JN732	298	528
JN732	299	529
JN732	300	530
JN732	301	531
JN732	302	532
JN732	306	537
JN732	307	538
JN732	328	567
JN732	329	568
JN732	330	569
JN732	331	570
JN732	332	571
JN732	333	572
JN732	334	573
JN732	334	574
JN732	335	575
JN732	335	576
JN732	335	577
JN732	338	581
JN732	338	582
JN732	339	583
JN732	340	584
JN732	343	588
JN732	344	589
JN732	345	590
JN732	346	592
JN732	347	593
JN732	348	594
JN732	349	595
JN732	349	596
JN732	350	597
JN732	350	598
JN758	39	84
JN789	225	390
JN789	226	391
JN789	226	392
JN789	227	393
JN789	227	394
JN789	228	395
JN789	228	396
JN789	229	397
JN789	230	398
JN789	230	399
JN789	231	400
JN789	232	402
JN789	233	403
JN789	234	404
JN789	235	406
JN789	236	407
JN789	237	408
JN789	260	465
JN789	261	466
JN789	261	467
JN789	277	500
JN789	278	502

			9
JN789	278	503	
JN789	279	504	
JN789	280	505	
JN789	280	506	
JN789	281	507	
JN805	171	277	
JN805	172	278	
JN805	172	279	
JN821	199	335	
JN821	199	336	
JN936	222	385	
JN936	223	386	
JN937	371	641	
JN937	372	642	
JN937	373	643	
JN937	376	648	
JN937	377	649	
JN956	431	744	
JN956	434	747	
JN956	434	748	
JN956	435	749	
JN956	435	750	
JN956	437	753	
JN956	440	761	
JN956	440	762	
JN956	441	763	
JN956	442	764	
JN956	442	765	
JN956	443	767	
JN956	444	769	
JN969	432	745	
JN969	433	746	
JN994	403	695	
JN995	398	686	
JN995	398	687	
JN995	400	690	
JN995	401	692	
JN995	404	696	
JN995	407	702	
JN996	336	578	
JN996	336	579	
JN996	337	580	
JN996	359	616	
JN996	359	617	
JN997	212	363	
JN997	213	364	
JN997	213	365	
JN997	214	366	
JN997	214	367	
JP006	378	650	
JP006	379	651	
JP006	380	652	
JP006	381	653	
JP006	382	655	
JP041	52	107	
JP041	53	108	
JP041	54	109	
JP043	158	256	
JP043	159	257	
JP043	85	161	


			9
JP043	86	162	
JP043	97	174	
JP043	98	176	
JP044	103	182	
JP044	103	183	
JP044	104	184	
JP044	104	185	
JP044	162	263	
JP044	163	264	
JP044	163	265	
JP044	166	268	
JP044	166	269	
JP045	150	241	
JP045	151	242	
JP045	152	243	
JP045	169	272	
JP049	171	277	
JP049	172	278	
JP049	172	279	
JP069	202	343	
JP069	203	344	
JP069	204	345	
JP069	204	346	
JP069	205	347	
JP069	443	766	
KG5012	808	1252	
KG5012	814	1258	
KG5012	821	1263	
KG5012	845	1284	
KG5012	845	1285	
KG5012	848	1289	
KG5012	849	1290	
KG5012	850	1292	
KG5012	852	1295	
KG5012	854	1297	
KG5012	855	1299	
KG5012	855	1300	
KG5012	857	1302	
KG5012	870	1320	
KG5012	874	1325	
KG5012	882	1333	
KG5012	883	1334	
KG5012	885	1338	
KG5012	886	1339	
KG5012	887	1342	
KG5012	887	1344	
KG5012	898	1360	
KG5157	471	802	
KG5157	473	805	
KG5157	474	806	
KG5157	475	807	
KG5157	515	857	
KG5157	544	902	
KG5157	610	974	
KG5157	611	976	
KG5157	612	977	
KG5157	613	978	
KG5157	616	982	
KG5157	616	983	
KG5157	619	987	


			9
KG5290	477	813	
KJ647	536	893	
KJ647	597	954	
KJ647	607	967	
KJ647	648	1034	
KJ647	664	1053	
KJ647	699	1104	
KJ647	721	1129	
KJ647	732	1143	
KJ647	751	1167	
KJ647	752	1169	
KJ647	892	1351	
KK5643	246	429	
KK5643	247	431	
KK5643	247	432	
KK5643	248	433	
KK5643	249	434	
KK5643	250	435	
KK5643	250	436	
KK5643	251	437	
LK5001	705	1115	
LT634	100	178	
LT634	100	179	
LT634	101	180	
LT634	102	181	
LT634	106	187	
LT634	107	188	
LT634	108	189	
LT634	129	210	
LT634	130	212	
LT634	48	97	
LT634	58	119	
LT634	58	120	
LT634	59	122	
LT634	66	135	
LT634	67	136	
LT634	68	137	
LT634	79	153	
LT634	79	154	
LT634	80	155	
LT634	80	156	
LT634	81	157	
LT634	82	158	
LT634	83	159	
LT634	90	166	
LT634	91	167	
LT634	92	169	
LT634	94	171	
LT634	95	172	
LV864	184	300	
LV864	185	301	
LV864	410	707	
LV864	411	709	
N151/6	545	904	
N151/6	546	905	
N151/6	546	906	
N151/6	607	968	
N151/6	608	969	
N151/6	608	970	
N151/6	608	971	


			9
N151/6	609	972	
N151/6	609	973	
N151/6	611	976	
N151/6	612	977	
N151/6	614	979	
N151/6	616	982	
N151/6	616	983	
N151/6	619	987	
N151/6	622	991	
N151/6	623	992	
N151/6	623	993	
N151/6	624	994	
N151/6	624	995	
N151/6	625	996	
N151/6	626	997	
N151/6	626	998	
N151/6	627	999	
N151/6	628	1001	
N151/6	641	1020	
N151/6	642	1021	
NA784	1014	1463	
NA5016	180	295	
NA5016	182	297	
NA5016	183	298	
NA5016	225	390	
NA5016	226	391	
NA5016	226	392	
NA5016	227	393	
NA5016	227	394	
NA5016	228	395	
NA5016	228	396	
NA5016	229	397	
NA5016	230	398	
NA5016	230	399	
NA5016	231	400	
NA5016	232	402	
NA5016	233	403	
NA5016	235	406	
NA5016	236	407	
NA5016	237	408	
NA5016	257	458	
NA5016	258	459	
NA5016	259	462	
NA5016	259	463	
NA5016	260	464	
NA5016	260	465	
NA5016	261	466	
NA5016	262	468	
NA5016	263	470	
NA5016	264	471	
NA5016	264	472	
NA5016	265	473	
NA5016	265	474	
NA5016	266	475	
NA5016	267	476	
NA5016	267	477	
NA5016	268	478	
NA5016	269	480	
NA5016	269	482	
NA5016	270	483	


NUMERICAL PARTS LIST


Nummerische Teilenummernliste • Elenco riferimenti
Liste des références produits


 9		
NA5016	270	485
NA5016	271	486
NA5016	272	488
NA5016	273	489
NA5016	273	490
NA5016	274	491
NA5016	274	492
NA5016	275	493
NA5016	275	494
NA5016	276	495
NA5016	276	497
NA5016	277	500
NA5016	277	501
NA5016	278	502
NA5016	278	503
NA5016	279	504
NA5016	280	505
NA5016	280	506
NA5016	281	507
NA5016	367	634
NA5016	367	635
NA5016	368	636
NA5016	368	637
NA5016	369	638
NA5016	370	639
NA5016	370	640
NA5016	371	641
NA5016	372	642
NA5016	373	643
NA5016	373	644
NA5016	374	645
NA5016	375	646
NA5016	376	648
NA5016	377	649
NA5016	388	670
NA5016	389	672
NA5016	389	673
NA5016	390	674
NA5016	391	675
NA5016	391	676
NA5016	392	677
NA5016	393	678
NA5016	393	679
NA5016	394	680
NA5016	395	681
NA5016	396	682
NA5016	396	683
NA5016	397	684
NA5016	397	685
NA5016	399	689
NA5016	402	693
NA5016	403	694
NA5016	403	695
NA5016	404	697
NA5016	405	698
NA5016	405	699
NA5016	406	700
NA5016	407	701
NA5016	408	703
NA5016	408	704


 9		
NA5016	409	705
NA5016	410	706
NA5016	738	1150
NA5016	739	1151
NA5016	740	1152
NA5016	741	1153
NA5016	744	1156
NA5016	745	1157
NA5016	746	1159
NA5016	747	1161
NA5016	748	1162
NA5016	749	1163
NA5016	750	1164
NA5016	750	1165
NA5016	790	1226
NA5016	792	1229
NA5016	793	1231
NA5016	794	1232
NA5016	795	1233
NA5016	796	1234
NA5016	797	1235
NA5016	798	1236
NA5016	798	1237
NA5016	799	1238
NA5016	799	1239
NA5016	800	1241
NA5016	801	1242
NA5016	801	1243
NA5016	801	1244
NA5016	802	1245
NA5016	803	1246
NA5016	804	1247
NA5016	805	1248
NA5016	806	1249
NA5016	817	1260
NA5016	942	1398
NA5017	892	1351
NA5017	893	1352
NA5018	892	1351
NA5018	894	1353
NA5030	641	1020
NA5030	642	1021
NA5031	641	1020
NA5035	137	226
NA5035	138	227
NA5035	139	228
NA5035	140	229
NA5035	141	230
NA5035	142	231
NA5035	143	233
NA5035	144	234
NA5035	144	235
NA5035	145	236
NA5035	146	237
NA5035	147	238
NA5035	148	239
NA5035	149	240
NA5035	152	244
NA5035	153	245
NA5035	153	246


 9		
NA5035	154	247
NA5035	155	248
NA5035	155	249
NA5036	807	1251
NA5036	808	1252
NA5036	811	1255
NA5036	812	1256
NA5036	813	1257
NA5036	814	1258
NA5036	816	1259
NA5036	818	1261
NA5036	819	1262
NA5036	821	1263
NA5036	822	1264
NA5036	823	1265
NA5036	825	1266
NA5036	826	1267
NA5036	827	1268
NA5036	828	1269
NA5036	836	1276
NA5036	837	1277
NA5036	838	1278
NA5036	839	1279
NA5036	841	1280
NA5036	843	1282
NA5036	844	1283
NA5036	845	1284
NA5036	845	1285
NA5036	846	1286
NA5036	847	1287
NA5036	847	1288
NA5036	848	1289
NA5036	849	1290
NA5036	849	1291
NA5036	850	1292
NA5036	852	1295
NA5036	853	1296
NA5036	854	1297
NA5036	854	1298
NA5036	855	1299
NA5036	855	1300
NA5036	856	1301
NA5036	857	1302
NA5036	857	1303
NA5036	866	1315
NA5036	867	1316
NA5036	870	1319
NA5036	870	1320
NA5036	872	1323
NA5036	874	1325
NA5036	876	1327
NA5036	880	1330
NA5036	881	1331
NA5036	882	1333
NA5036	883	1334
NA5036	884	1335
NA5036	884	1336
NA5036	885	1337
NA5036	885	1338
NA5036	881	1331
NA5036	882	1333
NA5036	883	1334
NA5036	884	1335
NA5036	884	1336
NA5036	885	1337
NA5036	885	1338
NA5036	885	1339
NA5036	886	1339

 9		
NA5036	886	1340
NA5036	887	1342
NA5036	887	1343
NA5036	887	1344
NA5036	888	1345
NA5036	888	1346
NA5036	891	1349
NA5036	898	1360
NA5037	813	1257
NA5037	814	1258
NA5037	821	1263
NA5037	823	1265
NA5037	833	1273
NA5037	834	1274
NA5037	837	1277
NA5037	838	1278
NA5037	844	1283
NA5037	845	1284
NA5037	845	1285
NA5037	846	1286
NA5037	847	1287
NA5037	847	1288
NA5037	848	1289
NA5037	849	1290
NA5037	849	1291
NA5037	850	1292
NA5037	852	1295
NA5037	853	1296
NA5037	854	1297
NA5037	854	1298
NA5037	855	1299
NA5037	855	1300
NA5037	857	1302
NA5037	857	1303
NA5037	866	1315
NA5037	867	1316
NA5037	870	1319
NA5037	870	1320
NA5037	871	1321
NA5037	872	1323
NA5037	874	1325
NA5037	875	1326
NA5037	876	1327
NA5037	878	1328
NA5037	880	1330
NA5037	881	1331
NA5037	882	1333
NA5037	883	1334
NA5037	884	1335
NA5037	884	1336
NA5037	885	1337
NA5037	885	1338
NA5037	886	1339
NA5037	886	1340
NA5037	886	1341
NA5037	887	1342
NA5037	887	1343
NA5037	887	1344
NA5037	888	1345
NA5037	888	1346

		9
NA5037	889	1348
NA5037	891	1349
NA5037	898	1360
NA5053	212	362
NA5053	212	363
NA5053	213	364
NA5053	213	365
NA5053	214	366
NA5053	214	367
NA5053	225	390
NA5053	226	391
NA5053	226	392
NA5053	227	393
NA5053	227	394
NA5053	228	395
NA5053	230	398
NA5053	230	399
NA5053	231	400
NA5053	231	401
NA5053	232	402
NA5053	233	403
NA5053	234	404
NA5053	234	405
NA5053	235	406
NA5053	236	407
NA5053	237	408
NA5053	260	465
NA5053	261	466
NA5053	261	467
NA5053	276	498
NA5053	277	499
NA5053	277	500
NA5053	277	501
NA5053	278	502
NA5053	278	503
NA5053	279	504
NA5053	280	505
NA5053	280	506
NA5053	281	507
NA5053	383	656
NA5053	384	657
NA5053	384	659
NA5053	385	660
NA5053	412	712
NA5053	413	713
NA5053	413	714
NA5089	534	888
NA5089	535	889
NA5108	629	1004
NA5118	766	1191
NA5118	767	1192
NA5118	768	1193
NA5118	769	1194
NA5118	770	1195
NA5118	771	1196
NA5118	772	1197
NA5118	773	1198
NA5118	774	1199
NA5118	775	1200
NA5118	776	1201


		9
NA5118	777	1202
NA5118	778	1203
NA5118	778	1204
NA5118	779	1205
NA5136	360	619
NA5136	361	620
NA5136	361	621
NA5138	360	619
NA5138	361	620
NA5138	361	621
NA5177	174	283
NA5177	175	285
NA5177	385	661
NA5177	386	663
NA5177	386	664
NA5177	386	665
NA5177	644	1027
NA5177	644	1028
NA5177	645	1030
NA5177	935	1387
NA5177	935	1388
NA5177	936	1389
NA5177	936	1390
NA5191	1041	1482
NA5191	1042	1483
NA5191	538	895
NA5191	539	896
NA5191	539	897
NA5191	541	898
NA5191	542	899
NA5191	543	900
NA5191	544	902
NA5191	545	903
NA5191	547	907
NA5191	548	908
NA5191	549	909
NA5191	550	911
NA5191	552	912
NA5191	553	913
NA5191	554	914
NA5191	555	915
NA5191	556	916
NA5191	558	917
NA5191	559	918
NA5191	561	919
NA5191	562	920
NA5191	563	921
NA5191	564	922
NA5191	565	923
NA5191	567	925
NA5191	569	926
NA5191	570	927
NA5191	571	928
NA5191	572	929
NA5191	573	930
NA5191	573	931
NA5191	576	934
NA5191	577	935
NA5191	579	936
NA5191	580	937


		9
NA5191	581	939
NA5191	582	940
NA5191	583	941
NA5191	585	942
NA5191	586	943
NA5191	587	944
NA5191	588	945
NA5191	589	946
NA5191	590	947
NA5191	591	948
NA5191	592	949
NA5191	593	950
NA5191	594	951
NA5191	595	952
NA5191	596	953
NA5191	600	959
NA5191	601	960
NA5191	602	961
NA5191	603	962
NA5191	604	963
NA5191	605	964
NA5191	610	974
NA5191	611	975
NA5191	611	976
NA5191	612	977
NA5191	613	978
NA5191	614	979
NA5191	614	980
NA5191	616	982
NA5191	616	983
NA5191	618	985
NA5191	619	987
NA5191	620	988
NA5191	621	989
NA5191	621	990
NA5191	622	991
NA5191	623	992
NA5191	624	994
NA5191	624	995
NA5191	625	996
NA5191	626	998
NA5191	627	999
NA5191	628	1000
NA5191	628	1001
NA5191	629	1005
NA5191	630	1006
NA5191	631	1007
NA5191	632	1008
NA5191	633	1009
NA5191	634	1010
NA5191	635	1011
NA5191	635	1012
NA5191	636	1013
NA5191	637	1014
NA5191	638	1015
NA5191	638	1016
NA5191	639	1017
NA5191	639	1018
NA5191	640	1019
NA5191	652	1038


		9
NA5191	653	1039
NA5191	654	1040
NA5191	655	1041
NA5191	656	1042
NA5191	680	1079
NA5191	680	1080
NA5191	680	1081
NA5192	538	895
NA5192	539	896
NA5192	539	897
NA5192	541	898
NA5192	542	899
NA5192	544	902
NA5192	545	903
NA5192	547	907
NA5192	548	908
NA5192	549	909
NA5192	550	911
NA5192	552	912
NA5192	553	913
NA5192	554	914
NA5192	555	915
NA5192	556	916
NA5192	558	917
NA5192	559	918
NA5192	561	919
NA5192	562	920
NA5192	563	921
NA5192	564	922
NA5192	565	923
NA5192	567	925
NA5192	571	928
NA5192	572	929
NA5192	573	930
NA5192	573	931
NA5192	576	934
NA5192	577	935
NA5192	579	936
NA5192	580	937
NA5192	581	939
NA5192	582	940
NA5192	583	941
NA5192	585	942
NA5192	586	943
NA5192	587	944
NA5192	588	945
NA5192	589	946
NA5192	590	947
NA5192	591	948
NA5192	592	949
NA5192	593	950
NA5192	594	951
NA5192	595	952
NA5192	596	953
NA5192	601	960
NA5192	605	964
NA5192	610	974
NA5192	611	975
NA5192	611	976
NA5192	612	977


NUMERICAL PARTS LIST


Numerische Teilenummernliste • Elenco riferimenti
Liste des références produits


 9		
NA5192	613	978
NA5192	614	979
NA5192	614	980
NA5192	616	982
NA5192	616	983
NA5192	618	985
NA5192	619	987
NA5192	620	988
NA5192	621	989
NA5192	621	990
NA5192	622	991
NA5192	624	994
NA5192	625	996
NA5192	626	998
NA5192	630	1006
NA5192	631	1007
NA5192	632	1008
NA5192	633	1009
NA5192	634	1010
NA5192	635	1011
NA5192	635	1012
NA5192	636	1013
NA5192	637	1014
NA5192	638	1015
NA5192	638	1016
NA5192	639	1017
NA5192	639	1018
NA5192	640	1019
NA5192	652	1038
NA5192	653	1039
NA5192	654	1040
NA5192	655	1041
NA5215	245	427
NA5215	246	428
NA5215	246	429
NA5215	247	430
NA5215	247	431
NA5215	247	432
NA5215	248	433
NA5215	249	434
NA5215	250	435
NA5215	250	436
NA5215	251	437
NA5215	251	438
NA5215	252	439
NA5215	252	440
NA5215	252	441
NA5215	253	442
NA5215	253	443
NA5215	253	444
NA5215	253	445
NA5215	254	446
NA5215	254	447
NA5215	254	448
NA5215	255	449
NA5215	257	458
NA5215	258	459
NA5215	258	460
NA5215	259	462
NA5215	259	463


 9		
NA5215	263	470
NA5215	264	471
NA5215	264	472
NA5215	265	473
NA5215	266	475
NA5215	267	476
NA5215	267	477
NA5215	268	478
NA5215	268	479
NA5215	269	480
NA5215	269	481
NA5215	269	482
NA5215	270	483
NA5215	270	484
NA5215	270	485
NA5215	271	486
NA5215	271	487
NA5215	272	488
NA5215	273	489
NA5215	273	490
NA5215	274	491
NA5215	274	492
NA5223	448	775
NA5230	448	774
NA5230	448	775
NA5255	766	1191
NA5255	767	1192
NA5255	768	1193
NA5255	769	1194
NA5255	770	1195
NA5255	771	1196
NA5255	772	1197
NA5255	773	1198
NA5255	774	1199
NA5255	775	1200
NA5255	776	1201
NA5255	777	1202
NA5255	778	1203
NA5255	778	1204
NA5255	779	1205
NA5256	545	904
NA5256	546	905
NA5256	546	906
NA5256	607	968
NA5256	608	970
NA5256	608	971
NA5256	609	972
NA5256	609	973
NA5256	642	1022
NA5257	341	585
NA5257	342	586
NA5257	343	587
NA5257	352	601
NA5257	352	602
NA5257	353	603
NA5257	353	604
NA5257	354	605
NA5257	354	606
NA5257	355	607
NA5257	355	608


 9		
NA5257	356	609
NA5257	356	610
NA5257	357	611
NA5257	357	612
NA5257	358	613
NA5257	358	615
NA5257	365	628
NA5257	366	632
NA5257	366	633
NA5258	14	29
NA5258	15	30
NA5258	15	31
NA5258	16	32
NA5258	16	33
NA5258	16	34
NA5258	17	35
NA5258	44	90
NA5258	45	91
NA5258	45	92
NA5258	46	93
NA5258	46	94
NA5258	47	95
NA5258	47	96
NA5259	471	802
NA5259	474	806
NA5259	475	807
NA5259	514	856
NA5259	515	857
NA5259	516	858
NA5259	516	859
NA5260	172	280
NA5260	173	281
NA5260	173	282
NA5260	174	283
NA5260	174	284
NA5260	175	285
NA5260	385	661
NA5260	385	662
NA5260	386	663
NA5260	386	664
NA5260	386	665
NA5260	387	666
NA5260	454	784
NA5260	455	785
NA5260	5	11
NA5260	5	12
NA5260	533	887
NA5260	62	126
NA5260	63	128
NA5260	63	129
NA5260	64	130
NA5260	644	1025
NA5260	644	1026
NA5260	645	1029
NA5260	65	132
NA5260	936	1390
NA5261	208	355
NA5261	209	356
NA5261	209	357
NA5261	210	358

 9		
NA5261	211	360
NA5261	211	361
NA5261	215	368
NA5272	978	1433
NA5272	981	1438
NA5272	982	1439
NA5272	982	1440
NA5318	132	218
NA5318	71	141
NA5318	72	142
NA5318	72	143
NB628	787	1221
NB628	789	1224
NB645	189	311
NB645	190	312
NB645	668	1063
NB645	668	1064
NB854	688	1091
NB854	689	1092
NB855	688	1091
NB855	689	1092
NB856	199	335
NB856	199	336
NB866	398	686
NB866	398	687
NB866	400	690
NB866	400	691
NB866	401	692
NB866	404	696
NB866	407	702
NB959	111	192
NB959	113	194
NB959	114	195
NB959	115	196
NB959	116	197
NB959	117	198
NB959	118	199
NB959	119	200
NB959	121	202
NB959	122	203
NB959	123	204
NB959	124	205
NB959	125	206
NB959	126	207
NB959	127	208
NB959	191	314
NB959	192	315
NB959	591	948
NB959	73	144
NB959	74	145
NB959	75	146
NB959	76	147
NF351	476	810
NF387	524	873
NF387	525	875
NF387	607	967
NF387	647	1033
NF387	648	1034
NF387	649	1035
NF387	650	1036

		9
NF387	651	1037
NF387	657	1043
NF387	663	1051
NF387	663	1052
NF387	664	1053
NF387	665	1054
NF387	681	1084
NF387	682	1085
NF387	683	1086
NF387	684	1087
NF387	685	1088
NF387	686	1089
NF492	255	450
NF492	255	451
NF492	256	455
NF492	410	707
NF492	411	709
NF535	207	351
NF535	207	352
NF535	207	353
NF535	215	370
NF535	216	371
NF535	216	372
NF535	216	373
NF535	217	374
NF535	217	375
NF535	218	376
NF535	220	379
NF535	222	384
NF535	237	409
NF535	238	410
NF535	238	411
NF535	239	412
NF535	239	413
NF535	244	423
NF634	661	1049
NF634	667	1060
NF634	667	1061
NF634	680	1079
NF634	680	1080
NF634	680	1081
NF634	727	1138
NF634	729	1140
NF634	753	1170
NF634	754	1171
NF634	754	1172
NF634	756	1174
NF634	761	1183
NF634	762	1184
NF634	764	1188
NF634	765	1189
NF634	781	1208
NF634	781	1209
NF634	782	1210
NF634	783	1212
NF634	785	1217
NF634	786	1218
NF634	786	1219
NF634	788	1222
NF634	788	1223


		9
NF634	978	1433
NF634	981	1438
NF634	982	1439
NF634	982	1440
NF637	666	1058
NF637	677	1075
NF640	478	815
NF640	520	864
NF640	523	872
NF640	524	873
NF640	524	874
NF640	525	875
NF640	525	876
NF640	526	877
NF640	537	894
NF641	449	776
NF641	450	778
NF641	453	782
NF641	456	786
NF641	457	787
NF641	458	788
NF641	460	789
NF641	461	790
NF641	462	791
NF641	464	792
NF641	471	801
NF641	479	816
NF641	480	817
NF641	482	821
NF641	484	822
NF641	485	823
NF641	486	824
NF641	487	825
NF641	488	826
NF641	735	1147
NF641	736	1148
NF641	737	1149
NF677	18	38
NF677	18	40
NF677	49	102
NF678	449	776
NF678	450	777
NF678	450	778
NF678	453	782
NF678	456	786
NF678	457	787
NF678	458	788
NF678	460	789
NF678	461	790
NF678	462	791
NF678	464	792
NF678	471	801
NF678	479	816
NF678	480	817
NF678	482	821
NF678	484	822
NF678	485	823
NF678	486	824
NF678	487	825
NF678	488	826


		9
NF678	736	1148
NF678	737	1149
NF685	780	1206
NF685	782	1210
NF685	783	1212
NF685	786	1218
NF687	180	295
NF687	181	296
NF687	182	297
NF687	183	298
NF687	184	299
NF687	395	681
NF687	405	698
NF687	410	707
NF687	411	709
NF687	414	716
NF687	414	717
NF692	477	813
NF692	520	865
NF692	521	866
NF694	477	813
NF694	520	865
NF694	521	866
NF719	671	1069
NF722	700	1106
NF722	702	1110
NF722	703	1111
NF722	719	1127
NF722	720	1128
NF722	721	1129
NF722	722	1130
NF722	723	1131
NF722	723	1132
NF722	724	1133
NF722	725	1135
NF722	725	1136
NF722	726	1137
NF722	727	1138
NF722	729	1140
NF722	733	1144
NF722	751	1166
NF722	753	1170
NF722	754	1171
NF722	754	1172
NF722	755	1173
NF722	756	1174
NF722	758	1178
NF722	759	1179
NF722	759	1180
NF722	760	1181
NF722	761	1182
NF722	761	1183
NF722	762	1184
NF722	763	1185
NF722	763	1186
NF722	764	1187
NF722	764	1188
NF722	765	1189
NF722	766	1190
NF734	537	894


		9
NF741	156	251
NF741	186	305
NF741	187	307
NF741	192	316
NF741	194	322
NF741	195	323
NF741	195	324
NF741	196	325
NF741	196	327
NF741	197	328
NF752	629	1003
NF752	665	1055
NF752	666	1058
NF752	671	1068
NF752	671	1069
NF752	672	1070
NF752	673	1071
NF752	674	1072
NF752	675	1073
NF752	677	1075
NF752	678	1076
NF752	678	1077
NF752	679	1078
NF752	681	1082
NF752	687	1090
NF761	522	869
NF761	661	1049
NF761	667	1060
NF761	667	1061
NF761	977	1430
NF761	978	1431
NF761	980	1436
NF763	477	812
NF763	478	814
NF763	522	869
NF776	672	1070
NF776	673	1071
NF776	674	1072
NF776	675	1073
NF776	678	1077
NF776	679	1078
NF776	687	1090
NF780	607	967
NF780	647	1033
NF780	648	1034
NF780	662	1050
NF780	663	1052
NF780	664	1053
NF780	665	1054
NF780	681	1084
NF780	682	1085
NF780	683	1086
NF780	684	1087
NF780	685	1088
NF780	686	1089
NF780	688	1091
NF780	689	1092
NF780	690	1093
NF780	691	1094


NUMERICAL PARTS LIST


Numerische Teilenummernliste • Elenco riferimenti
Liste des références produits


		9
NF780	692	1095
NF780	693	1096
NF786	782	1211
NF786	783	1212
NF786	786	1218
NF786	789	1225
NF809	476	808
NF809	476	809
NF810	521	867
NF812	448	773
NF812	476	808
NF812	476	809
NF812	476	810
NF812	521	867
NF817	10	21
NF817	10	22
NF817	10	23
NF817	100	178
NF817	100	179
NF817	101	180
NF817	102	181
NF817	103	182
NF817	103	183
NF817	104	184
NF817	104	185
NF817	105	186
NF817	106	187
NF817	107	188
NF817	108	189
NF817	11	24
NF817	12	25
NF817	13	26
NF817	13	27
NF817	133	220
NF817	133	221
NF817	134	222
NF817	135	223
NF817	135	224
NF817	136	225
NF817	14	28
NF817	156	252
NF817	157	253
NF817	157	254
NF817	158	255
NF817	158	256
NF817	159	257
NF817	160	258
NF817	160	259
NF817	161	260
NF817	161	261
NF817	162	262
NF817	162	263
NF817	163	264
NF817	163	265
NF817	164	266
NF817	165	267
NF817	166	268
NF817	166	269
NF817	167	270
NF817	168	271


		9
NF817	170	275
NF817	171	276
NF817	19	44
NF817	20	45
NF817	20	46
NF817	244	422
NF817	245	425
NF817	25	58
NF817	26	59
NF817	26	60
NF817	27	61
NF817	27	62
NF817	27	63
NF817	28	64
NF817	28	65
NF817	29	66
NF817	29	67
NF817	3	5
NF817	3	7
NF817	30	68
NF817	30	69
NF817	30	70
NF817	31	71
NF817	31	72
NF817	32	73
NF817	32	74
NF817	33	75
NF817	34	76
NF817	35	77
NF817	36	78
NF817	37	79
NF817	37	80
NF817	38	81
NF817	38	82
NF817	39	83
NF817	39	84
NF817	4	8
NF817	4	9
NF817	40	85
NF817	40	86
NF817	41	87
NF817	42	88
NF817	43	89
NF817	49	99
NF817	5	10
NF817	52	107
NF817	53	108
NF817	54	109
NF817	59	123
NF817	60	124
NF817	61	125
NF817	62	127
NF817	64	131
NF817	77	149
NF817	78	151
NF817	78	152
NF817	79	153
NF817	79	154
NF817	80	155
NF817	80	156


		9
NF817	81	157
NF817	82	158
NF817	83	159
NF817	84	160
NF817	85	161
NF817	86	162
NF817	87	163
NF817	88	164
NF817	89	165
NF817	9	20
NF817	90	166
NF817	91	167
NF817	91	168
NF817	92	169
NF817	93	170
NF817	94	171
NF817	95	172
NF817	96	173
NF817	97	174
NF817	97	175
NF817	98	176
NF817	99	177
NF833	1000	1452
NF833	1030	1472
NF833	1039	1479
NF833	983	1441
NF833	984	1442
NF833	986	1443
NF833	989	1445
NF833	999	1451
NF834	702	1110
NF834	715	1122
NF834	719	1127
NF834	720	1128
NF834	721	1129
NF834	722	1130
NF834	723	1131
NF834	723	1132
NF834	724	1133
NF834	728	1139
NF834	734	1145
NF834	735	1146
NF834	735	1147
NF834	751	1167
NF834	752	1168
NF834	752	1169
NF834	754	1171
NF834	756	1174
NF834	757	1176
NF834	757	1177
NF834	764	1187
NF834	764	1188
NF834	765	1189
NF834	766	1190
NF835	1041	1482
NF835	1042	1483
NF835	1042	1484
NF835	680	1079
NF835	680	1080
NF835	700	1106

		9
NF835	701	1109
NF835	702	1110
NF835	703	1111
NF835	716	1123
NF835	717	1124
NF835	719	1127
NF835	720	1128
NF835	721	1129
NF835	722	1130
NF835	723	1131
NF835	723	1132
NF835	724	1133
NF835	725	1135
NF835	725	1136
NF835	732	1143
NF835	733	1144
NF835	734	1145
NF835	735	1146
NF835	738	1150
NF835	739	1151
NF835	740	1152
NF835	741	1153
NF835	742	1154
NF835	743	1155
NF835	744	1156
NF835	745	1157
NF835	745	1158
NF835	746	1159
NF835	747	1161
NF835	748	1162
NF835	749	1163
NF835	750	1164
NF835	750	1165
NF835	751	1167
NF835	752	1168
NF835	752	1169
NF835	754	1171
NF835	755	1173
NF835	756	1174
NF835	757	1176
NF835	757	1177
NF835	758	1178
NF835	759	1179
NF835	759	1180
NF835	760	1181
NF835	761	1182
NF835	761	1183
NF835	763	1185
NF835	764	1187
NF835	764	1188
NF835	765	1189
NF835	766	1190
NF835	780	1206
NF835	782	1210
NF835	782	1211
NF835	783	1212
NF835	786	1218
NF835	789	1225
NF835	790	1226
NF835	792	1229

		9
NF835	792	1230
NF835	793	1231
NF835	794	1232
NF835	795	1233
NF835	796	1234
NF835	797	1235
NF835	798	1236
NF835	798	1237
NF835	799	1238
NF835	799	1239
NF835	800	1240
NF835	800	1241
NF835	801	1242
NF835	801	1243
NF835	801	1244
NF835	802	1245
NF835	803	1246
NF835	804	1247
NF835	805	1248
NF835	806	1249
NF835	807	1250
NF835	817	1260
NF835	977	1430
NF835	978	1431
NF835	980	1436
NF835	981	1437
NF841	109	190
NF841	110	191
NF841	111	192
NF841	112	193
NF841	113	194
NF841	114	195
NF841	115	196
NF841	116	197
NF841	117	198
NF841	118	199
NF841	119	200
NF841	120	201
NF841	121	202
NF841	122	203
NF841	123	204
NF841	124	205
NF841	125	206
NF841	126	207
NF841	127	208
NF841	128	209
NF841	150	241
NF841	151	242
NF841	152	243
NF841	169	272
NF841	66	135
NF841	67	136
NF841	68	137
NF841	69	138
NF841	70	139
NF841	71	140
NF841	73	144
NF841	74	145
NF841	75	146
NF841	76	147


		9
NF843	658	1044
NF843	659	1045
NF843	659	1046
NF843	660	1047
NF843	661	1048
NF843	784	1215
NF843	785	1216
NF843	809	1253
NF843	810	1254
NF843	811	1255
NF843	812	1256
NF843	823	1265
NF843	826	1267
NF843	827	1268
NF843	828	1269
NF843	829	1270
NF843	830	1271
NF843	831	1272
NF843	833	1273
NF843	834	1274
NF843	835	1275
NF843	837	1277
NF843	841	1280
NF843	843	1282
NF843	850	1292
NF843	858	1304
NF843	859	1305
NF843	860	1306
NF843	861	1307
NF843	862	1309
NF843	863	1310
NF843	864	1312
NF843	865	1313
NF843	865	1314
NF843	866	1315
NF843	867	1316
NF843	868	1317
NF843	868	1318
NF843	871	1321
NF843	872	1322
NF843	872	1323
NF843	874	1325
NF843	875	1326
NF843	876	1327
NF843	878	1328
NF843	880	1330
NF843	882	1332
NF843	888	1347
NF843	889	1348
NF843	892	1350
NF843	899	1361
NF843	901	1362
NF843	902	1363
NF843	904	1364
NF843	905	1365
NF843	907	1366
NF843	909	1367
NF843	910	1368
NF843	912	1369
NF843	913	1370


		9
NF843	916	1372
NF843	917	1373
NF843	919	1374
NF843	921	1375
NF843	922	1376
NF843	924	1377
NF843	925	1378
NF843	926	1379
NF843	928	1380
NF843	936	1392
NF843	937	1393
NF843	938	1394
NF843	939	1395
NF843	940	1396
NF843	941	1397
NF843	942	1398
NF843	943	1399
NF843	945	1400
NF843	945	1401
NF843	946	1402
NF843	947	1403
NF843	948	1404
NF843	948	1405
NF843	949	1406
NF843	950	1407
NF843	951	1409
NF843	952	1410
NF843	952	1411
NF843	953	1412
NF843	954	1413
NF843	955	1414
NF843	956	1415
NF843	957	1416
NF843	958	1417
NF843	959	1418
NF843	961	1419
NF843	962	1420
NF843	964	1421
NF843	965	1422
NF843	966	1423
NF843	968	1424
NF843	969	1425
NF843	971	1426
NF843	973	1427
NF843	974	1428
NF843	976	1429
NF844	609	973
NF844	658	1044
NF844	659	1045
NF844	659	1046
NF844	660	1047
NF844	661	1048
NF844	899	1361
NF844	905	1365
NF844	907	1366
NF844	912	1369
NF844	916	1372
NF844	917	1373
NF844	919	1374
NF844	925	1378


		9
NF844	939	1395
NF844	940	1396
NF844	942	1398
NF844	945	1401
NF844	946	1402
NF844	948	1405
NF844	951	1409
NF844	952	1410
NF844	952	1411
NF844	953	1412
NF844	954	1413
NF844	955	1414
NF844	958	1417
NF844	966	1423
NF844	969	1425
NF844	971	1426
NF844	973	1427
NF844	974	1428
NF844	976	1429
NF846	256	454
NF846	281	508
NF846	281	509
NF846	282	510
NF846	283	511
NF846	284	512
NF846	285	513
NF846	286	514
NF846	287	515
NF846	288	516
NF846	289	517
NF846	289	518
NF846	290	519
NF846	290	520
NF846	291	521
NF846	292	522
NF846	293	523
NF846	294	524
NF846	295	525
NF846	296	526
NF846	297	527
NF846	298	528
NF846	299	529
NF846	300	530
NF846	301	531
NF846	302	532
NF846	303	533
NF846	303	534
NF846	304	535
NF846	305	536
NF846	306	537
NF846	307	538
NF846	307	539
NF846	308	540
NF846	308	541
NF846	309	542
NF846	310	543
NF846	311	544
NF846	312	545
NF846	313	546
NF846	314	547


NUMERICAL PARTS LIST


Nummerische Teilenummernliste • Elenco riferimenti
Liste des références produits


 9		
NF846	315	548
NF846	316	549
NF846	317	550
NF846	318	551
NF846	319	552
NF846	320	553
NF846	321	554
NF846	321	555
NF846	322	556
NF846	322	557
NF846	323	558
NF846	324	559
NF846	325	560
NF846	325	561
NF846	326	562
NF846	326	563
NF846	327	564
NF846	328	566
NF846	328	567
NF846	329	568
NF846	330	569
NF846	331	570
NF846	332	571
NF846	333	572
NF846	334	573
NF846	334	574
NF846	335	575
NF846	335	577
NF846	336	578
NF846	336	579
NF846	337	580
NF846	338	581
NF846	338	582
NF846	339	583
NF846	340	584
NF846	343	588
NF846	344	589
NF846	345	590
NF846	345	591
NF846	346	592
NF846	347	593
NF846	348	594
NF846	349	595
NF846	350	597
NF846	350	598
NF846	351	599
NF846	351	600
NF846	359	616
NF846	359	617
NF846	360	618
NF847	328	567
NF847	329	568
NF847	330	569
NF847	331	570
NF847	332	571
NF847	333	572
NF847	334	573
NF847	334	574
NF847	335	575


 9		
NF847	335	576
NF847	335	577
NF847	338	581
NF847	338	582
NF847	339	583
NF847	340	584
NF847	343	588
NF847	344	589
NF847	345	590
NF847	346	592
NF847	347	593
NF847	348	594
NF847	349	595
NF847	349	596
NF847	350	597
NF847	350	598
NF847	351	599
NF847	351	600
NF850	451	779
NF850	451	780
NF850	452	781
NF850	465	794
NF850	466	795
NF850	467	796
NF850	468	798
NF850	469	799
NF850	470	800
NF850	480	818
NF850	481	819
NF850	482	820
NF850	486	824
NF850	489	827
NF850	489	828
NF850	490	829
NF850	491	830
NF850	491	831
NF850	492	832
NF850	496	837
NF850	496	838
NF850	498	840
NF850	499	841
NF850	500	842
NF850	501	843
NF850	502	844
NF850	503	845
NF850	504	846
NF850	506	848
NF850	507	849
NF850	507	850
NF850	508	851
NF850	509	852
NF850	510	853
NF850	511	854
NF850	513	855
NF850	522	870
NF850	527	878
NF850	527	879
NF850	528	880
NF850	529	881
NF850	529	882


 9		
NF850	530	883
NF850	531	884
NF850	532	885
NF850	532	886
NF850	533	887
NF850	534	888
NF850	535	889
NF850	784	1215
NF850	785	1216
NF850	807	1251
NF850	808	1252
NF850	809	1253
NF850	810	1254
NF850	811	1255
NF850	812	1256
NF850	813	1257
NF850	814	1258
NF850	816	1259
NF850	817	1260
NF850	818	1261
NF850	819	1262
NF850	821	1263
NF850	822	1264
NF850	823	1265
NF850	825	1266
NF850	826	1267
NF850	827	1268
NF850	828	1269
NF850	829	1270
NF850	830	1271
NF850	831	1272
NF850	833	1273
NF850	834	1274
NF850	835	1275
NF850	836	1276
NF850	837	1277
NF850	838	1278
NF850	839	1279
NF850	841	1280
NF850	842	1281
NF850	843	1282
NF850	844	1283
NF850	845	1284
NF850	848	1289
NF850	849	1290
NF850	849	1291
NF850	850	1292
NF850	852	1295
NF850	854	1297
NF850	855	1299
NF850	857	1302
NF850	858	1304
NF850	859	1305
NF850	860	1306
NF850	861	1307
NF850	862	1309
NF850	863	1310
NF850	864	1312
NF850	865	1313
NF850	865	1314

 9		
NF850	866	1315
NF850	868	1317
NF850	868	1318
NF850	870	1319
NF850	870	1320
NF850	871	1321
NF850	872	1322
NF850	872	1323
NF850	875	1326
NF850	876	1327
NF850	878	1328
NF850	879	1329
NF850	880	1330
NF850	882	1332
NF850	882	1333
NF850	883	1334
NF850	885	1338
NF850	887	1344
NF850	888	1347
NF850	889	1348
NF850	891	1349
NF850	892	1350
NF850	898	1360
NF851	336	578
NF851	336	579
NF851	337	580
NF856	705	1115
NF856	707	1116
NF856	708	1117
NF856	709	1118
NF856	711	1119
NF856	712	1120
NF856	713	1121
NF857	451	779
NF857	451	780
NF857	452	781
NF857	465	794
NF857	466	795
NF857	467	796
NF857	468	798
NF857	469	799
NF857	470	800
NF857	480	818
NF857	481	819
NF857	482	820
NF857	490	829
NF857	492	832
NF857	498	840
NF857	499	841
NF857	500	842
NF857	501	843
NF857	502	844
NF857	503	845
NF857	504	846
NF857	506	848
NF857	507	849
NF857	508	851
NF857	509	852
NF857	510	853
NF857	511	854

		9
NF857	513	855
NF857	522	870
NF857	527	878
NF857	527	879
NF857	528	880
NF857	529	881
NF857	530	883
NF857	531	884
NF857	533	887
NF857	534	888
NF857	535	890
NF858	378	650
NF858	379	651
NF858	380	652
NF858	381	653
NF858	382	655
NF860	929	1381
NF860	930	1382
NF860	931	1383
NF860	932	1384
NF860	933	1385
NF860	934	1386
NF860	979	1434
NF860	980	1435
NF861	929	1381
NF861	930	1382
NF861	931	1383
NF866	669	1065
NF866	670	1066
NF866	670	1067
NF867	644	1025
NF867	644	1026
NF867	644	1027
NF867	644	1028
NF867	645	1030
NF867	668	1063
NF867	668	1064
NF867	669	1065
NF867	670	1066
NF867	670	1067
NF867	935	1387
NF867	935	1388
NF867	936	1389
NF867	936	1390
NF869	103	182
NF869	103	183
NF869	104	184
NF869	104	185
NF869	196	326
NF870	451	779
NF870	451	780
NF870	452	781
NF870	465	794
NF870	466	795
NF870	467	796
NF870	468	797
NF870	468	798
NF870	469	799
NF870	470	800
NF870	480	818


		9
NF870	481	819
NF870	482	820
NF870	486	824
NF870	489	827
NF870	489	828
NF870	490	829
NF870	491	830
NF870	491	831
NF870	492	832
NF870	494	835
NF870	495	836
NF870	496	837
NF870	496	838
NF870	498	840
NF870	499	841
NF870	500	842
NF870	501	843
NF870	502	844
NF870	503	845
NF870	504	846
NF870	506	848
NF870	507	849
NF870	507	850
NF870	508	851
NF870	509	852
NF870	510	853
NF870	511	854
NF870	513	855
NF870	522	870
NF870	527	878
NF870	527	879
NF870	528	880
NF870	529	881
NF870	529	882
NF870	530	883
NF870	531	884
NF870	532	885
NF870	532	886
NF870	533	887
NF870	534	888
NF870	535	889
NF870	535	890
NF870	645	1031
NF883	1013	1462
NF883	1016	1464
NF883	1019	1466
NF883	1020	1467
NF883	1032	1473
NF883	1035	1475
NF883	1035	1476
NF883	1040	1480
NF883	1042	1485
NF883	1043	1486
NF883	1045	1488
NF883	1046	1489
NF883	1047	1490
NF883	1048	1491
NF883	1049	1492
NF883	1032	1473
NF883	1035	1475
NF883	1035	1476
NF883	1040	1480
NF883	1042	1485
NF883	1043	1486
NF883	1045	1488
NF883	1046	1489
NF883	1047	1490
NF883	1048	1491
NF883	1049	1492
NF883	694	1097
NF883	694	1098
NF883	695	1099
NF883	984	1442
NF883	219	377
NF883	725	1134


		9
NF883	695	1099
NF885	1013	1462
NF885	1016	1464
NF885	1019	1466
NF885	1020	1467
NF885	1032	1473
NF885	1035	1475
NF885	1035	1476
NF885	1040	1480
NF885	1042	1485
NF885	1043	1486
NF885	1045	1488
NF885	1046	1489
NF885	1047	1490
NF885	1048	1491
NF885	1049	1492
NF885	694	1097
NF885	694	1098
NF885	695	1099
NF885	984	1442
NJ765	219	377
NJ765	725	1134
NP067	1002	1454
NP067	1006	1457
NP067	1012	1461
NP067	1016	1464
NP067	1019	1466
NP067	1022	1468
NP067	1024	1469
NP067	1026	1470
NP067	1028	1471
NP067	1032	1473
NP067	1034	1474
NP067	1035	1476
NP067	1036	1477
NP067	1037	1478
NP067	204	346
NP067	416	720
NP067	420	725
NP067	426	736
NP067	439	760
NP067	444	769
NP067	694	1097
NP067	694	1098
NP067	695	1099
NP067	990	1446
NP067	992	1447
NP068	194	321
NP068	202	343
NP068	203	344
NP068	204	345
NP068	204	346
NP068	205	347
NP068	415	718
NP068	416	719
NP068	416	720
NP068	417	721
NP068	418	722
NP068	419	723
NP068	420	724


		9
NP068	420	725
NP068	421	726
NP068	421	727
NP068	422	728
NP068	422	729
NP068	423	730
NP068	423	732
NP068	424	733
NP068	425	735
NP068	426	736
NP068	426	737
NP068	427	738
NP068	428	740
NP068	428	741
NP068	429	742
NP068	430	743
NP068	431	744
NP068	432	745
NP068	433	746
NP068	434	747
NP068	434	748
NP068	435	749
NP068	435	750
NP068	436	751
NP068	436	752
NP068	437	753
NP068	438	758
NP068	439	759
NP068	439	760
NP068	440	761
NP068	440	762
NP068	441	763
NP068	442	764
NP068	442	765
NP068	443	766
NP068	443	767
NP068	443	768
PA217	448	773
PA217	476	808
PA217	476	809
PA217	476	810
PA217	477	812
PA217	478	814
PA217	521	867
PA217	522	869
PA217	629	1002
PA217	629	1003
PA217	665	1055
PA217	665	1056
PA217	671	1068
PA217	671	1069
PA217	675	1073
PA217	677	1075
PA217	678	1076
PA217	678	1077
PA217	679	1078
PA217	681	1082
PA217	681	1083
PA229	176	288
PA229	186	303


NUMERICAL PARTS LIST


Numerische Teilenummernliste • Elenco riferimenti
Liste des références produits


 9		
PA229	186	304
PA229	201	341
PA349	1042	1483
PA349	449	776
PA349	451	779
PA349	451	780
PA349	452	781
PA349	453	782
PA349	457	787
PA349	458	788
PA349	460	789
PA349	461	790
PA349	462	791
PA349	464	792
PA349	465	794
PA349	466	795
PA349	467	796
PA349	468	798
PA349	469	799
PA349	478	815
PA349	479	816
PA349	480	817
PA349	480	818
PA349	481	819
PA349	484	822
PA349	485	823
PA349	490	829
PA349	493	833
PA349	500	842
PA349	504	846
PA349	508	851
PA349	509	852
PA349	511	854
PA349	513	855
PA349	520	864
PA349	520	865
PA349	521	866
PA349	523	871
PA349	523	872
PA349	524	873
PA349	524	874
PA349	525	875
PA349	525	876
PA349	526	877
PA349	527	878
PA349	528	880
PA349	530	883
PA349	531	884
PA349	532	885
PA349	532	886
PA349	533	887
PA349	535	890
PA349	537	894
PA349	538	895
PA349	539	896
PA349	539	897
PA349	541	898
PA349	542	899
PA349	549	909
PA349	550	911


 9		
PA349	554	914
PA349	555	915
PA349	556	916
PA349	558	917
PA349	559	918
PA349	561	919
PA349	562	920
PA349	563	921
PA349	564	922
PA349	565	923
PA349	567	925
PA349	571	928
PA349	572	929
PA349	573	931
PA349	576	934
PA349	577	935
PA349	579	936
PA349	580	937
PA349	581	939
PA349	582	940
PA349	583	941
PA349	585	942
PA349	586	943
PA349	590	947
PA349	592	949
PA349	593	950
PA349	594	951
PA349	596	953
PA349	599	957
PA349	600	959
PA349	605	964
PA349	606	966
PA349	621	989
PA349	630	1006
PA349	631	1007
PA349	632	1008
PA349	634	1010
PA349	635	1011
PA349	635	1012
PA349	636	1013
PA349	638	1016
PA349	639	1017
PA349	640	1019
PA349	648	1034
PA349	649	1035
PA349	650	1036
PA349	651	1037
PA349	657	1043
PA349	658	1044
PA349	659	1045
PA349	659	1046
PA349	660	1047
PA349	661	1048
PA349	661	1049
PA349	664	1053
PA349	665	1054
PA349	666	1058
PA349	667	1060
PA349	667	1061
PA349	670	1066


 9		
PA349	670	1067
PA349	675	1073
PA349	680	1080
PA349	682	1085
PA349	683	1086
PA349	684	1087
PA349	693	1096
PA349	702	1110
PA349	709	1118
PA349	711	1119
PA349	712	1120
PA349	720	1128
PA349	735	1146
PA349	736	1148
PA349	737	1149
PA349	738	1150
PA349	743	1155
PA349	744	1156
PA349	745	1157
PA349	747	1161
PA349	750	1164
PA349	750	1165
PA349	754	1171
PA349	757	1176
PA349	757	1177
PA349	764	1187
PA349	764	1188
PA349	765	1189
PA349	766	1190
PA349	780	1206
PA349	782	1210
PA349	782	1211
PA349	783	1212
PA349	786	1218
PA349	789	1225
PA349	797	1235
PA349	799	1238
PA349	799	1239
PA349	801	1243
PA349	804	1247
PA349	806	1249
PA349	823	1265
PA349	828	1269
PA349	829	1270
PA349	833	1273
PA349	834	1274
PA349	835	1275
PA349	843	1282
PA349	858	1304
PA349	860	1306
PA349	861	1307
PA349	862	1309
PA349	863	1310
PA349	865	1314
PA349	866	1315
PA349	867	1316
PA349	868	1317
PA349	868	1318
PA349	871	1321
PA349	872	1322

 9		
PA349	872	1323
PA349	875	1326
PA349	876	1327
PA349	879	1329
PA349	880	1330
PA349	888	1347
PA349	899	1361
PA349	905	1365
PA349	907	1366
PA349	910	1368
PA349	912	1369
PA349	916	1372
PA349	917	1373
PA349	919	1374
PA349	925	1378
PA349	926	1379
PA349	928	1380
PA349	929	1381
PA349	930	1382
PA349	936	1389
PA349	939	1395
PA349	940	1396
PA349	942	1398
PA349	945	1401
PA349	946	1402
PA349	948	1405
PA349	951	1409
PA349	952	1410
PA349	952	1411
PA349	953	1412
PA349	954	1413
PA349	955	1414
PA349	958	1417
PA349	966	1423
PA349	969	1425
PA349	971	1426
PA349	973	1427
PA349	974	1428
PA349	976	1429
PA349	977	1430
PA349	978	1431
PA349	981	1438
PA850	11	24
PA850	12	25
PA850	33	75
PA858	10	21
PA858	14	28
PA858	20	46
PA858	28	64
PA858	3	7
PA858	36	78
PA858	39	84
PA858	4	8
PA858	4	9
PA5013	257	458
PA5013	258	459
PA5013	258	460
PA5013	258	461
PA5013	259	462
PA5013	259	463

			9
PA5013	260	464	
PA5013	262	468	
PA5013	262	469	
PA5013	263	470	
PA5013	264	471	
PA5013	264	472	
PA5013	265	473	
PA5013	266	475	
PA5013	267	476	
PA5013	267	477	
PA5013	268	478	
PA5013	269	480	
PA5013	269	482	
PA5013	270	485	
PA5013	271	486	
PA5013	272	488	
PA5013	273	489	
PA5013	273	490	
PA5013	274	491	
PA5013	275	493	
PA5013	275	494	
PA5013	276	495	
PA5013	276	497	
PA5013	277	499	
PA5013	341	585	
PA5013	342	586	
PA5013	343	587	
PA5013	352	602	
PA5013	353	603	
PA5013	353	604	
PA5013	354	605	
PA5013	355	607	
PA5013	355	608	
PA5013	356	609	
PA5013	356	610	
PA5013	357	611	
PA5013	357	612	
PA5013	358	613	
PA5013	358	615	
PA5013	366	632	
PA5013	366	633	
PB681	219	377	
PB852	451	779	
PB852	451	780	
PB852	452	781	
PB852	465	794	
PB852	466	795	
PB852	467	796	
PB852	468	798	
PB852	469	799	
PB852	480	818	
PB852	481	819	
PB852	482	820	
PB852	490	829	
PB852	492	832	
PB852	498	840	
PB852	500	842	
PB852	501	843	
PB852	502	844	
PB852	503	845	


			9
PB852	504	846	
PB852	508	851	
PB852	509	852	
PB852	510	853	
PB852	513	855	
PB852	527	878	
PB852	528	880	
PB852	530	883	
PB852	531	884	
PB852	532	885	
PB852	532	886	
PB852	533	887	
PB852	535	890	
PB852	644	1026	
PB852	644	1028	
PB852	645	1030	
PB852	865	1314	
PB852	888	1347	
PB852	899	1361	
PB852	905	1365	
PB852	907	1366	
PB852	910	1368	
PB852	912	1369	
PB852	916	1372	
PB852	917	1373	
PB852	919	1374	
PB852	925	1378	
PB852	926	1379	
PB852	928	1380	
PB852	939	1395	
PB852	940	1396	
PB852	942	1398	
PB852	945	1401	
PB852	946	1402	
PB852	948	1405	
PB852	951	1409	
PB852	952	1410	
PB852	952	1411	
PB852	953	1412	
PB852	954	1413	
PB852	955	1414	
PB852	958	1417	
PB852	966	1423	
PB852	969	1425	
PB852	971	1426	
PB852	973	1427	
PB852	974	1428	
PB852	976	1429	
PB852	977	1430	
PB852	978	1431	
PB907	522	870	
PB907	544	902	
PB907	545	904	
PB907	546	905	
PB907	546	906	
PB907	549	909	
PB907	554	914	
PB907	555	915	
PB907	556	916	
PB907	558	917	


			9
PB907	559	918	
PB907	561	919	
PB907	562	920	
PB907	563	921	
PB907	564	922	
PB907	565	923	
PB907	567	925	
PB907	571	928	
PB907	572	929	
PB907	573	930	
PB907	573	931	
PB907	576	934	
PB907	577	935	
PB907	579	936	
PB907	581	939	
PB907	582	940	
PB907	583	941	
PB907	585	942	
PB907	586	943	
PB907	590	947	
PB907	592	949	
PB907	593	950	
PB907	594	951	
PB907	596	953	
PB907	607	968	
PB907	608	971	
PB907	609	973	
PB907	610	974	
PB907	611	976	
PB907	612	977	
PB907	613	978	
PB907	616	982	
PB907	616	983	
PB907	619	987	
PB907	621	989	
PB907	621	990	
PB907	627	999	
PB907	628	1000	
PB907	628	1001	
PB907	630	1006	
PB907	631	1007	
PB907	632	1008	
PB907	633	1009	
PB907	634	1010	
PB907	635	1011	
PB907	635	1012	
PB907	636	1013	
PB907	637	1014	
PB907	638	1015	
PB907	638	1016	
PB907	639	1017	
PB907	642	1022	
TB114	180	295	
TB114	388	671	
TB114	389	672	
TB114	389	673	
TB114	393	678	
TB114	394	680	
TB114	395	681	
TB126	182	297	


			9
TB126	183	298	
TB135	416	719	
TB135	417	721	
TB135	418	722	
TB135	419	723	
TB135	429	742	
TB156	368	636	
TB156	369	638	
TB156	370	640	
TB156	371	641	
TB156	372	642	
TB156	373	643	
TB156	373	644	
TB156	374	645	
TB156	375	646	
TB156	375	647	
TB156	376	648	
TB156	377	649	
TB175	118	199	
TB175	119	200	
TB177	193	319	
TB177	194	321	
TB177	194	322	
TB177	195	324	
TB177	196	325	
TB189	256	454	
TB191	180	295	
TB191	401	692	
TB194	405	699	
TB195	329	568	
TB195	330	569	
TB195	331	570	
TB195	332	571	
TB195	335	577	
TB226	101	180	
TB226	102	181	
TB226	103	182	
TB226	103	183	
TB226	105	186	
TB226	106	187	
TB226	107	188	
TB226	108	189	
TB226	159	257	
TB226	167	270	
TB226	168	271	
TB226	78	152	
TB226	79	153	
TB226	79	154	
TB226	80	155	
TB226	80	156	
TB226	81	157	
TB226	82	158	
TB226	83	159	
TB226	84	160	
TB226	87	163	
TB226	88	164	
TB226	90	166	
TB226	91	167	
TB226	92	169	
TB226	93	170	


NUMERICAL PARTS LIST


Nummerische Teilenummernliste • Elenco riferimenti
Liste des références produits


		9
TB226	94	171
TB226	95	172
TB226	96	173
TB227	193	319
TB227	194	321
TB227	194	322
TB227	195	324
TB227	196	325
TB245	39	84
TB256	328	567
TB256	329	568
TB256	331	570
TB256	332	571
TB256	333	572
TB256	335	577
TB256	338	581
TB256	339	583
TB256	340	584
TB256	344	589
TB256	345	590
TB257	225	390
TB257	228	396
TB257	229	397
TB257	230	399
TB257	231	400
TB257	232	402
TB257	233	403
TB257	234	404
TB257	235	406
TB257	236	407
TB257	277	500
TB258	256	454
TB258	284	512
TB258	294	524
TB258	295	525
TB258	301	531
TB258	302	532
TB258	306	537
TB259	20	45
TB259	21	48
TB259	22	50
TB259	23	52
TB259	23	53
TB259	24	54
TB259	24	55
TB259	26	59
TB259	27	61
TB259	27	62
TB259	28	64
TB259	28	65
TB259	30	70
TB259	31	71
TB259	32	73
TB259	34	76
TB259	35	77
TB259	36	78
TB259	37	79
TB259	37	80
TB259	38	81
TB259	38	82


		9
TB259	40	85
TB259	40	86
TB259	41	87
TB259	42	88
TB266	100	178
TB278	76	148
TB279	135	224
TB281	398	687
TB281	399	688
TB292	288	516
TB292	289	518
TB292	292	522
TB292	297	527
TB292	298	528
TB292	304	535
TB292	305	536
TB304	10	21
TB304	11	24
TB304	12	25
TB304	13	26
TB304	13	27
TB304	14	28
TB304	172	278
TB304	19	44
TB304	20	46
TB304	3	7
TB304	4	8
TB304	4	9
TB304	9	20
TB305	171	277
TB319	169	272
TB320	150	241
TB320	151	242
TB320	152	243
TB345	104	184
TB345	104	185
TB368	202	343
TB368	203	344
TB368	204	345
TB368	205	347
TB368	416	719
TB368	417	721
TB368	418	722
TB368	419	723
TB368	422	728
TB368	427	738
TB368	428	740
TB368	429	742
TB368	430	743
TB368	431	744
TB368	434	747
TB368	440	762
TB368	442	764
TB368	442	765
TB376	21	48
TB376	22	50
TB376	23	52
TB376	23	53
TB376	24	54
TB376	27	62


		9
TB376	28	65
TB376	31	72
TB376	32	73
TB376	32	74
TB376	36	78
TB376	41	87
TB376	42	88
TB376	43	89
TB376	59	123
TB376	60	124
TB376	61	125
TB376	62	127
TB419	101	180
TB419	102	181
TB419	103	182
TB419	103	183
TB419	104	185
TB419	105	186
TB419	106	187
TB419	107	188
TB419	157	254
TB419	158	256
TB419	159	257
TB419	160	258
TB419	160	259
TB419	161	260
TB419	162	262
TB419	167	270
TB419	168	271
TB419	79	154
TB419	81	157
TB419	83	159
TB419	85	161
TB419	86	162
TB419	87	163
TB419	88	164
TB419	89	165
TB419	92	169
TB419	93	170
TB419	94	171
TB419	95	172
TB419	96	173
TB419	97	174
TB419	97	175
TB419	98	176
TB420	403	695
TB421	180	295
TB421	181	296
TB421	388	671
TB421	389	672
TB421	389	673
TB421	390	674
TB421	391	675
TB421	392	677
TB421	393	678
TB421	394	680
TB421	395	681
TB421	396	682
TB421	396	683
TB421	397	684

		9
TB421	397	685
TB421	398	686
TB421	398	687
TB421	399	688
TB421	399	689
TB421	400	690
TB421	401	692
TB421	402	693
TB421	403	694
TB421	404	697
TB422	182	297
TB422	183	298
TB422	184	299
TB422	405	699
TB422	406	700
TB422	407	702
TB422	408	703
TB422	409	705
TB422	410	706
TB423	337	580
TB423	359	616
TB423	359	617
TB431	346	592
TB431	347	593
TB431	348	594
TB431	349	595
TB431	350	597
TB431	350	598
TB431	351	599
TB434	360	619
TB434	361	620
TB434	361	621
TB437	378	650
TB448	432	745
TB448	433	746
TB453	162	263
TB453	163	264
TB453	163	265
TB453	166	268
TB453	166	269
TB454	157	253
TB454	158	255
TB454	161	261
TB457	52	107
TB457	53	108
TB457	54	109
TB459	189	311
TB459	190	312
TB459	192	315
TB479	164	266
TB479	165	267
TB479	99	177
TB482	210	358
TB482	212	363
TB482	213	365
TB482	214	366
TB482	214	367
TB489	379	651
TB489	380	652
TB489	381	653

		9
TB489	382	655
TB525	191	314
TB529	229	397
TB529	230	398
TB529	235	406
TB529	236	407
TB529	237	408
TB529	260	465
TB529	261	466
TB529	278	502
TB529	279	504
TB529	280	505
TB545	282	510
TB545	284	512
TB545	285	513
TB545	306	537
TB545	307	538
TB546	309	542
TB546	310	543
TB546	313	546
TB546	314	547
TB546	316	549
TB546	317	550
TB546	318	551
TB546	319	552
TB546	320	553
TB546	324	559
TB558	440	761
TB558	441	763
TB558	444	769
TB560	109	190
TB560	110	191
TB560	111	192
TB560	112	193
TB560	113	194
TB560	114	195
TB560	116	197
TB560	117	198
TB560	118	199
TB560	119	200
TB560	120	201
TB560	121	202
TB560	122	203
TB560	123	204
TB560	124	205
TB560	125	206
TB560	126	207
TB560	127	208
TB560	128	209
TB560	66	135
TB560	68	137
TB560	70	139
TB560	71	140
TB574	192	315
TB631	73	144
TB631	74	145
TB631	75	146
TB631	76	147
TB632	137	226
TB632	138	227


		9
TB632	142	231
TB632	145	236
TB632	146	237
TB632	147	238
TB632	148	239
TB636	258	459
TB636	259	462
TB636	259	463
TB636	263	470
TB636	264	471
TB636	265	473
TB636	266	475
TB636	267	476
TB636	267	477
TB636	269	480
TB636	269	482
TB636	270	485
TB636	271	486
TB636	272	488
TB636	273	489
TB636	274	491
TB636	275	493
TB636	275	494
TB636	276	495
TB636	276	497
TB643	360	619
TB643	361	620
TB643	361	621
TB644	341	585
TB644	352	602
TB644	353	603
TB652	342	586
TB652	343	587
TB652	353	604
TB652	354	605
TB652	354	606
TB652	355	607
TB652	355	608
TB652	356	609
TB652	357	611
TB652	358	613
TB652	358	614
TB653	308	541
TB653	312	545
TB653	322	556
TB653	323	558
TB654	309	542
TB654	310	543
TB654	311	544
TB654	313	546
TB654	314	547
TB654	315	548
TB654	318	551
TB654	321	554
TB678	153	246
TB678	154	247
TB683	135	223
TB683	135	224
TB683	170	275
TB683	78	151


		9
TB699	11	24
TB699	12	25
TB699	13	26
TB700	62	126
TB700	63	129
TB700	64	130
TB700	64	131
TB700	65	132
TB701	421	727
TB701	422	728
TB701	426	736
TB701	428	740
TB701	436	752
TB701	437	753
TB702	134	222
TB704	366	632
TB704	366	633
TB710	383	656
TB710	384	657
TB710	384	658
TB710	412	712
TB710	413	713
TB710	413	714
TB711	29	67
TB711	33	75
TB711	34	76
TB711	35	77
TB712	208	355
TB712	209	357
TB712	210	359
TB712	211	360
TB712	211	361
TB713	245	427
TB713	246	428
TB713	246	429
TB713	247	431
TB713	247	432
TB713	248	433
TB713	249	434
TB713	250	435
TB713	250	436
TB713	251	437
TB713	251	438
TB713	252	439
TB713	252	441
TB713	253	442
TB713	253	444
TB713	254	446
TB713	254	448
TB713	438	758
TB713	443	767
TB720	139	228
TB720	140	229
TB720	141	230
TB720	15	30
TB720	15	31
TB720	16	33
TB721	17	35
TB722	155	248
TB722	155	249


		9
TB724	165	267
TB724	44	90
TB724	45	92
TB724	46	93
TB724	46	94
TB724	47	95
TB727	172	280
TB727	173	281
TB727	174	283
TB727	175	285
TB727	385	661
TB727	386	663
TB727	386	664
TB735	286	514
TB735	287	515
TB735	288	516
TB735	289	518
TB735	290	519
TB735	292	522
TB735	297	527
TB735	298	528
TB735	299	529
TB735	300	530
TB735	304	535
TB735	305	536
TB742	142	232
TB742	143	233
TB742	144	234
TB742	149	240
TB744	133	220
TB744	133	221
TB744	136	225
TB744	77	149
TB750	387	667
TB750	387	668
TB756	308	540
TB756	325	560
TB756	325	561
TB756	326	562
TB756	326	563
TB756	327	564
TB756	327	565
TB756	328	566
TB796	358	615
TB813	25	57
TB815	71	141
TBK002	225	390
TBK002	228	396
TBK002	229	397
TBK002	230	399
TBK002	231	400
TBK002	232	402
TBK002	233	403
TBK002	234	404
TBK002	235	406
TBK002	236	407
TBK002	277	500
TBK004	21	48
TBK004	22	50
TBK004	23	52


NUMERICAL PARTS LIST


Nummerische Teilenummernliste • Elenco riferimenti
Liste des références produits


 9		
TBK004	23	53
TBK004	24	54
TBK004	27	62
TBK004	28	65
TBK004	31	72
TBK004	32	73
TBK004	32	74
TBK004	36	78
TBK004	41	87
TBK004	42	88
TBK004	43	89
TBK004	59	123
TBK004	60	124
TBK004	61	125
TBK004	62	127
TBK005	10	21
TBK005	11	24
TBK005	12	25
TBK005	13	26
TBK005	13	27
TBK005	14	28
TBK005	172	278
TBK005	19	44
TBK005	20	46
TBK005	3	7
TBK005	4	8
TBK005	4	9
TBK005	9	20
TBK007	20	45
TBK007	21	48
TBK007	22	50
TBK007	23	52
TBK007	23	53
TBK007	24	54
TBK007	24	55
TBK007	26	59
TBK007	27	61
TBK007	27	62
TBK007	28	64
TBK007	28	65
TBK007	30	70
TBK007	31	71
TBK007	32	73
TBK007	34	76
TBK007	35	77
TBK007	36	78
TBK007	37	79
TBK007	37	80
TBK007	38	81
TBK007	38	82
TBK007	40	85
TBK007	40	86
TBK007	41	87
TBK007	42	88
TBK009	100	178
TBK009	101	180
TBK009	102	181
TBK009	103	182
TBK009	103	183
TBK009	105	186


 9		
TBK009	106	187
TBK009	107	188
TBK009	108	189
TBK009	159	257
TBK009	167	270
TBK009	168	271
TBK009	78	152
TBK009	79	153
TBK009	79	154
TBK009	80	155
TBK009	80	156
TBK009	81	157
TBK009	82	158
TBK009	83	159
TBK009	84	160
TBK009	87	163
TBK009	88	164
TBK009	90	166
TBK009	91	167
TBK009	92	169
TBK009	93	170
TBK009	94	171
TBK009	95	172
TBK009	96	173
TBK010	101	180
TBK010	102	181
TBK010	103	182
TBK010	103	183
TBK010	105	186
TBK010	106	187
TBK010	107	188
TBK010	157	254
TBK010	158	256
TBK010	159	257
TBK010	160	258
TBK010	160	259
TBK010	161	260
TBK010	162	262
TBK010	167	270
TBK010	168	271
TBK010	79	154
TBK010	81	157
TBK010	83	159
TBK010	85	161
TBK010	86	162
TBK010	87	163
TBK010	88	164
TBK010	89	165
TBK010	92	169
TBK010	93	170
TBK010	94	171
TBK010	95	172
TBK010	96	173
TBK010	97	174
TBK010	97	175
TBK010	98	176
TBK013	169	272
TBK015	180	295
TBK015	388	671
TBK015	389	672


 9		
TBK015	389	673
TBK015	393	678
TBK015	394	680
TBK015	395	681
TBK017	328	567
TBK017	329	568
TBK017	331	570
TBK017	332	571
TBK017	333	572
TBK017	335	577
TBK017	338	581
TBK017	339	583
TBK017	340	584
TBK017	344	589
TBK017	345	590
TBK019	110	191
TBK019	111	192
TBK019	114	195
TBK019	123	204
TBK019	124	205
TBK019	128	209
TBK019	66	135
TBK019	68	137
TBK019	70	139
TBK019	71	140
TBK020	109	190
TBK020	110	191
TBK020	112	193
TBK020	113	194
TBK020	114	195
TBK020	116	197
TBK020	117	198
TBK020	118	199
TBK020	119	200
TBK020	120	201
TBK020	121	202
TBK020	122	203
TBK020	123	204
TBK020	124	205
TBK020	125	206
TBK020	126	207
TBK020	127	208
TBK020	128	209
TBK020	68	137
TBK020	70	139
TBK027	171	277
TBK029	189	311
TBK029	190	312
TBK029	192	315
TBK030	39	84
TBK035	150	241
TBK035	151	242
TBK035	152	243
TBK036	288	516
TBK036	289	518
TBK036	292	522
TBK036	297	527
TBK036	298	528
TBK036	304	535
TBK036	305	536

 9		
TBK037	202	343
TBK037	203	344
TBK037	204	345
TBK037	205	347
TBK037	416	719
TBK037	417	721
TBK037	419	723
TBK037	422	728
TBK037	427	738
TBK037	428	740
TBK037	429	742
TBK037	430	743
TBK037	431	744
TBK037	434	747
TBK037	440	762
TBK037	442	764
TBK037	442	765
TBK038	256	454
TBK038	284	512
TBK038	294	524
TBK038	295	525
TBK038	301	531
TBK038	302	532
TBK038	306	537
TBK039	422	728
TBK039	426	736
TBK039	428	740
TBK039	436	752
TBK039	437	753
TBK041	52	107
TBK041	53	108
TBK041	54	109
TBK045	416	719
TBK045	417	721
TBK045	419	723
TBK045	429	742
TBK047	256	454
TBK049	193	319
TBK049	194	321
TBK049	194	322
TBK049	195	324
TBK049	196	325
TBK051	329	568
TBK051	330	569
TBK051	331	570
TBK051	332	571
TBK051	335	577
TBK054	193	319
TBK054	194	321
TBK054	194	322
TBK054	195	324
TBK054	196	325
TBK090	379	651
TBK090	380	652
TBK090	382	655
TBK092	210	358
TBK092	212	363
TBK092	213	365
TBK092	214	366
TBK092	214	367

			9
TBK096	229	397	
TBK096	230	398	
TBK096	235	406	
TBK096	236	407	
TBK096	237	408	
TBK096	260	465	
TBK096	261	466	
TBK096	278	502	
TBK096	279	504	
TBK096	280	505	
TBK098	282	510	
TBK098	284	512	
TBK098	285	513	
TBK098	306	537	
TBK098	307	538	
TBK102	440	761	
TBK102	441	763	
TBK102	444	769	
TBK105	73	144	
TBK105	74	145	
TBK105	75	146	
TBK105	76	147	
TBK106	138	227	
TBK106	142	231	
TBK106	145	236	
TBK106	146	237	
TBK106	147	238	
TBK106	148	239	
TBK113	164	266	
TBK113	165	267	
TBK114	309	542	
TBK114	310	543	
TBK114	313	546	
TBK114	314	547	
TBK114	316	549	
TBK114	317	550	
TBK114	318	551	
TBK114	319	552	
TBK114	320	553	
TBK114	324	559	
TBK122	99	177	
TBK123	368	636	
TBK123	369	638	
TBK123	370	640	
TBK123	371	641	
TBK123	372	642	
TBK123	373	643	
TBK123	373	644	
TBK123	374	645	
TBK123	375	646	
TBK123	375	647	
TBK123	376	648	
TBK123	377	649	
TBK230	15	30	
TBK230	15	31	
TBK230	16	33	
TBK267	258	459	
TBK267	259	462	
TBK267	259	463	
TBK267	263	470	


			9
TBK267	264	471	
TBK267	265	473	
TBK267	266	475	
TBK267	267	476	
TBK267	267	477	
TBK267	269	480	
TBK267	269	482	
TBK267	270	485	
TBK267	271	486	
TBK267	272	488	
TBK267	275	493	
TBK267	275	494	
TBK273	245	427	
TBK273	246	428	
TBK273	246	429	
TBK273	247	431	
TBK273	247	432	
TBK273	248	433	
TBK273	249	434	
TBK273	250	435	
TBK273	250	436	
TBK273	251	437	
TBK273	251	438	
TBK273	252	439	
TBK273	252	441	
TBK273	253	442	
TBK273	253	444	
TBK273	254	446	
TBK273	254	448	
TBK273	438	758	
TBK273	443	767	
TBK274	137	226	
TBK274	138	227	
TBK274	142	231	
TBK274	146	237	
TBK274	147	238	
TBK275	308	541	
TBK275	312	545	
TBK275	322	556	
TBK275	323	558	
TBK279	135	223	
TBK279	170	275	
TBK279	78	151	
TBK280	286	514	
TBK280	287	515	
TBK280	288	516	
TBK280	289	518	
TBK280	290	519	
TBK280	292	522	
TBK280	297	527	
TBK280	298	528	
TBK280	299	529	
TBK280	300	530	
TBK280	304	535	
TBK280	305	536	
TBK281	180	295	
TBK281	181	296	
TBK281	388	671	
TBK281	391	675	
TBK281	392	677	


			9
TBK281	393	678	
TBK281	394	680	
TBK281	395	681	
TBK281	396	682	
TBK281	396	683	
TBK281	397	684	
TBK281	397	685	
TBK281	398	686	
TBK281	401	692	
TBK281	402	693	
TBK281	403	694	
TBK282	182	297	
TBK282	183	298	
TBK282	184	299	
TBK282	406	700	
TBK282	409	705	
TBK302	44	90	
TBK302	45	92	
TBK302	46	93	
TBK302	46	94	
TBK302	47	95	
TBK303	153	246	
TBK303	154	247	
TBK304	136	225	
TBK308	52	107	
TBK312	29	67	
TBK312	33	75	
TBK312	34	76	
TBK312	35	77	
TBK315	208	355	
TBK315	209	357	
TBK315	210	359	
TBK315	211	360	
TBK315	211	361	
TBK316	11	24	
TBK316	12	25	
TBK316	13	26	
TBK318	63	129	
TBK319	63	129	
TBK319	64	131	
TBK319	65	132	
TBK322	308	540	
TBK322	325	560	
TBK322	325	561	
TBK322	326	562	
TBK322	326	563	
TBK322	327	564	
TBK322	328	566	
TBK323	309	542	
TBK323	310	543	
TBK323	311	544	
TBK323	313	546	
TBK323	314	547	
TBK323	318	551	
TBK338	142	232	
TBK338	143	233	
TBK338	144	234	
TBK338	149	240	
TBK344	157	253	
TBK344	158	255	


			9
TBK344	161	261	
TBK355	153	246	
TBK355	154	247	
TTP3	152	243	
TTP3	189	311	
TTP3	190	312	
TTP3	191	314	
TTP3	192	315	
V34459	129	210	
V34459	129	211	
V34459	130	212	
V34459	130	213	
V34459	131	214	
V34459	131	215	
V34459	131	216	
V34459	132	217	
V34459	176	289	
V34459	177	290	
V34459	177	291	
V34459	178	292	
V34459	179	294	
V34460	129	210	
V34460	129	211	
V34460	130	212	
V34460	130	213	
V34460	131	214	
V34460	131	215	
V34460	131	216	
V34460	132	217	
V34460	176	289	
V34460	177	290	
V34460	177	291	
V34460	178	292	
V34460	179	294	
V35055	18	39	
V35055	49	99	
V35055	9	19	
V35117	206	350	
V35117	207	353	
V35117	215	369	
V35117	215	370	
V35117	216	371	
V35117	216	372	
V35117	217	374	
V35117	217	375	
V35117	218	376	
V35117	220	379	
V35117	220	380	
V35117	220	381	
V35117	221	382	
V35117	221	383	
V35117	222	384	
V35117	222	385	
V90351	175	286	
V90351	176	288	
V90351	185	302	
V90351	186	303	
V90351	197	330	
V90351	198	331	
V90351	198	333	


NUMERICAL PARTS LIST





Numerische Teilenummernliste • Elenco riferimenti
Liste des références produits

 9		
V90361	207	352
V90361	221	383
V90371	180	295
V90371	181	296
V90371	182	297
V90371	183	298
V90371	184	299
V90371	184	300
V90371	185	301
V90371	187	308
V90371	388	671
V90371	389	673
V90371	390	674
V90371	391	675
V90371	392	677
V90371	393	678
V90371	393	679
V90371	394	680
V90371	395	681
V90371	396	682
V90371	396	683
V90371	397	684
V90371	397	685
V90371	398	686
V90371	398	687
V90371	399	688
V90371	399	689
V90371	400	691
V90371	401	692
V90371	402	693
V90371	403	694
V90371	403	695
V90371	404	696
V90371	404	697
V90371	405	698
V90371	405	699
V90371	406	700
V90371	407	701
V90371	408	703
V90371	408	704
V90371	409	705
V90371	410	706
V90371	410	707
V90371	412	711
V90371	414	716
V90404	434	747
V91143	109	190
V91143	110	191
V91143	111	192
V91143	112	193
V91143	113	194
V91143	114	195
V91143	128	209
V91143	66	135
V91143	68	137
V91144	109	190
V91144	110	191
V91144	111	192
V91144	112	193
V91144	113	194
V91144	113	195

 9		
V91144	114	195
V91144	115	196
V91144	116	197
V91144	117	198
V91144	118	199
V91144	119	200
V91144	120	201
V91144	121	202
V91144	122	203
V91144	123	204
V91144	124	205
V91144	125	206
V91144	126	207
V91144	127	208
V91144	128	209
V91144	66	135
V91144	68	137
V91144	69	138
V91144	70	139
V91144	71	140
V91144	73	144
V91144	75	146
V91144	76	147
V91145	109	190
V91145	110	191
V91145	111	192
V91145	112	193
V91145	113	194
V91145	114	195
V91145	115	196
V91145	116	197
V91145	117	198
V91145	118	199
V91145	119	200
V91145	120	201
V91145	121	202
V91145	122	203
V91145	123	204
V91145	124	205
V91145	125	206
V91145	126	207
V91145	127	208
V91145	128	209
V91145	66	135
V91145	67	136
V91145	68	137
V91145	69	138
V91145	70	139
V91145	71	140
V91145	73	144
V91145	75	146
V91145	76	147
V91151	199	337
V91151	200	338
V91151	200	339
V91151	201	341
V91152	199	337
V91152	200	338
V91152	200	339
V91152	201	341
V91261	221	383


 9		
V91261	239	413
V91261	242	419
V91261	243	421
V91263	180	295
V91263	181	296
V91263	182	297
V91263	183	298
V91263	184	299
V91263	388	671
V91263	389	673
V91263	390	674
V91263	391	675
V91263	392	677
V91263	393	678
V91263	393	679
V91263	394	680
V91263	395	681
V91263	396	682
V91263	396	683
V91263	397	684
V91263	397	685
V91263	399	688
V91263	399	689
V91263	400	691
V91263	402	693
V91263	403	694
V91263	403	695
V91263	404	697
V91263	405	698
V91263	405	699
V91263	406	700
V91263	407	701
V91263	408	703
V91263	408	704
V91263	409	705
V91263	410	706
V91264	367	634
V91264	367	635
V91264	368	636
V91264	369	638
V91264	370	639
V91264	370	640
V91264	371	641
V91264	372	642
V91264	373	643
V91264	373	644
V91264	374	645
V91264	375	646
V91264	376	648
V91264	377	649
V91265	367	635
V91265	368	636
V91265	369	638
V91265	370	639
V91265	370	640
V91265	371	641
V91265	372	642
V91265	373	643
V91265	373	644


 9		
V91265	374	645
V91265	375	646
V91265	376	648
V91265	377	649
V91267	256	454
V91267	281	509
V91267	282	510
V91267	284	512
V91267	285	513
V91267	287	515
V91267	288	516
V91267	291	521
V91267	292	522
V91267	294	524
V91267	295	525
V91267	296	526
V91267	297	527
V91267	298	528
V91267	299	529
V91267	300	530
V91267	303	533
V91267	303	534
V91267	304	535
V91267	305	536
V91267	306	537
V91268	328	567
V91268	329	568
V91268	330	569
V91268	331	570
V91268	332	571
V91268	333	572
V91268	334	573
V91268	334	574
V91269	256	454
V91269	303	534
V91269	306	537
V91270	3	6
V91270	3	7
V91270	4	9
V91270	5	10
V91271	10	21
V91271	13	27
V91271	14	28
V91271	26	59
V91271	27	61
V91271	28	65
V91271	29	67
V91271	30	70
V91271	31	71
V91271	31	72
V91271	32	73
V91271	33	75
V91271	34	76
V91271	35	77
V91271	36	78
V91271	37	79
V91271	37	80
V91271	38	81
V91271	38	82
V91271	39	83


 9			 9			 9			 9		
V91271	40	85	V91277	82	158	V91292	424	733	V91294	436	751
V91271	40	86	V91277	83	159	V91292	424	734	V91294	436	752
V91271	41	87	V91277	84	160	V91292	425	735	V91294	437	753
V91271	42	88	V91277	85	161	V91292	426	736	V91300	171	277
V91271	43	89	V91277	86	162	V91292	427	739	V91306	172	278
V91271	9	20	V91277	89	165	V91292	429	742	V91313	39	84
V91272	3	6	V91277	97	174	V91292	430	743	V91314	39	84
V91272	3	7	V91277	97	175	V91292	431	744	V91317	219	378
V91272	4	9	V91277	98	176	V91292	432	745	V91317	238	411
V91272	5	10	V91279	79	154	V91292	433	746	V91317	239	412
V91273	10	21	V91279	80	155	V91292	434	747	V91317	239	413
V91273	11	24	V91279	81	157	V91292	435	749	V91317	240	414
V91273	12	25	V91279	82	158	V91292	435	750	V91317	240	415
V91273	13	26	V91279	83	159	V91292	436	751	V91317	242	418
V91273	13	27	V91279	84	160	V91292	436	752	V91317	242	419
V91273	14	28	V91279	85	161	V91292	437	753	V91317	243	421
V91273	26	59	V91279	86	162	V91292	438	757	V91317	244	422
V91273	27	61	V91279	87	163	V91292	439	759	V91317	245	425
V91273	28	65	V91279	88	164	V91292	439	760	V91319	328	567
V91273	29	67	V91279	89	165	V91292	440	761	V91319	329	568
V91273	30	70	V91279	90	166	V91292	441	763	V91319	330	569
V91273	31	71	V91279	91	167	V91292	442	764	V91319	331	570
V91273	31	72	V91279	91	168	V91292	443	767	V91319	332	571
V91273	32	73	V91279	92	169	V91292	444	769	V91319	333	572
V91273	33	75	V91279	93	170	V91293	415	718	V91319	334	573
V91273	34	76	V91279	94	171	V91293	416	719	V91319	334	574
V91273	35	77	V91279	95	172	V91293	417	721	V91399	422	728
V91273	36	78	V91279	96	173	V91293	418	722	V91400	422	728
V91273	37	79	V91280	79	154	V91293	419	723	V91402	336	578
V91273	37	80	V91280	80	155	V91293	420	724	V91402	337	580
V91273	38	81	V91280	81	157	V91293	420	725	V91469	103	182
V91273	38	82	V91280	82	158	V91293	421	726	V91469	103	183
V91273	39	83	V91280	83	159	V91293	421	727	V91469	104	184
V91273	40	85	V91280	84	160	V91293	423	730	V91469	104	185
V91273	40	86	V91280	85	161	V91293	424	733	V91469	166	268
V91273	41	87	V91280	86	162	V91293	424	734	V91470	103	182
V91273	42	88	V91280	87	163	V91293	425	735	V91470	103	183
V91273	43	89	V91280	88	164	V91293	426	736	V91470	104	184
V91273	9	20	V91280	89	165	V91293	427	739	V91470	104	185
V91275	102	181	V91280	90	166	V91293	429	742	V91470	166	268
V91275	105	186	V91280	91	167	V91293	430	743	V91713	172	278
V91275	106	187	V91280	91	168	V91293	431	744	V91762	171	277
V91275	107	188	V91280	92	169	V91293	432	745	V91834	206	350
V91275	108	189	V91280	93	170	V91293	434	747	V91834	215	369
V91275	80	155	V91280	94	171	V91293	435	749	V91834	215	370
V91275	82	158	V91280	95	172	V91293	435	750	V91834	216	371
V91275	83	159	V91280	96	173	V91293	436	751	V91834	216	372
V91275	84	160	V91292	202	343	V91293	436	752	V91834	217	374
V91275	85	161	V91292	203	344	V91293	437	753	V91834	217	375
V91275	86	162	V91292	204	345	V91294	417	721	V91834	218	376
V91275	89	165	V91292	415	718	V91294	418	722	V91834	219	378
V91275	97	174	V91292	416	719	V91294	419	723	V91834	220	379
V91275	97	175	V91292	417	721	V91294	420	724	V91834	220	380
V91275	98	176	V91292	418	722	V91294	429	742	V91834	220	381
V91277	102	181	V91292	419	723	V91294	430	743	V91834	221	382
V91277	105	186	V91292	420	724	V91294	431	744	V91834	221	383
V91277	106	187	V91292	420	725	V91294	432	745	V91834	222	384
V91277	107	188	V91292	421	726	V91294	433	746	V91834	222	385
V91277	108	189	V91292	421	727	V91294	435	749	V91834	238	411
V91277	80	155	V91292	423	730	V91294	435	750	V91834	239	412


NUMERICAL PARTS LIST


Numerische Teilenummernliste • Elenco riferimenti
Liste des références produits


 9		
V91834	239	413
V91834	240	414
V91834	240	415
V91834	241	417
V91834	242	418
V91834	242	419
V91834	243	421
V91834	244	422
V91834	245	425
V91835	225	390
V91835	226	391
V91835	227	393
V91835	228	395
V91835	229	397
V91835	230	398
V91835	231	400
V91835	232	402
V91835	233	403
V91835	234	404
V91835	235	406
V91835	236	407
V91835	237	408
V91835	260	465
V91835	261	466
V91835	277	500
V91835	278	502
V91835	279	504
V91835	280	505
V91835	280	506
V91836	225	390
V91836	226	391
V91836	227	393
V91836	228	395
V91836	229	397
V91836	230	398
V91836	231	400
V91836	232	402
V91836	233	403
V91836	234	404
V91836	235	406
V91836	236	407
V91836	237	408
V91836	260	465
V91836	261	466
V91836	277	500
V91836	278	502
V91836	279	504
V91836	280	505
V91836	280	506
V91848	336	578
V91848	337	580
V91895	281	509
V91895	282	510
V91895	285	513
V91895	287	515
V91895	291	521
V91895	292	522
V91895	294	524
V91895	295	525
V91895	296	526


 9		
V91895	297	527
V91895	298	528
V91895	299	529
V91895	300	530
V91895	303	533
V91895	304	535
V91895	305	536
V91939	422	728
V91939	428	740
V91940	428	740
V91970	157	253
V91970	157	254
V91970	158	255
V91970	158	256
V91970	159	257
V91970	161	261
V91970	162	262
V91970	167	270
V91970	168	271
V91971	160	258
V91971	160	259
V91971	161	260
V91972	157	253
V91972	157	254
V91972	158	255
V91972	158	256
V91972	159	257
V91972	160	258
V91972	160	259
V91972	161	260
V91972	162	262
V91972	167	270
V91972	168	271
V91994	202	343
V91994	203	344
V91994	204	345
V91994	422	728
V91994	438	757
V91994	439	759
V91994	439	760
V91994	440	761
V91994	441	763
V91994	442	764
V91994	443	767
V91994	444	769
V94015	219	377
V94016	219	377
V94017	118	199
V94017	119	200
V94017	120	201
V94017	121	202
V94017	122	203
V94017	123	204
V94017	124	205
V94017	125	206
V94017	126	207
V94017	127	208
V94024	109	190
V94024	110	191


 9		
V94024	111	192
V94024	112	193
V94024	113	194
V94024	114	195
V94024	115	196
V94024	128	209
V94024	66	135
V94024	68	137
V94024	69	138
V94024	70	139
V94024	71	140
V94038	339	583
V94038	340	584
V94038	344	589
V94038	345	590
V94038	346	592
V94038	348	594
V94038	349	595
V94039	339	583
V94039	340	584
V94039	344	589
V94039	345	590
V94039	346	592
V94039	348	594
V94039	349	595
V94044	360	619
V94044	361	620
V94062	189	311
V94062	190	312
V94062	192	315
V94063	189	311
V94063	190	312
V94063	192	315
V94066	336	578
V94066	337	580
V94067	281	509
V94067	282	510
V94067	284	512
V94067	285	513
V94067	287	515
V94067	288	516
V94067	291	521
V94067	292	522
V94067	294	524
V94067	295	525
V94067	296	526
V94067	297	527
V94067	298	528
V94067	299	529
V94067	300	530
V94067	303	533
V94067	303	534
V94067	304	535
V94067	305	536
V94067	306	537
V94068	301	531
V94068	302	532
V94069	301	531
V94069	302	532
V94077	301	531

 9		
V94077	302	532
V94154	73	144
V94154	75	146
V94154	76	147
V94155	20	45
V94155	60	124
V94155	61	125
V94156	20	45
V94156	60	124
V94156	61	125
V94157	60	124
V94157	61	125
V94167	165	267
V94167	99	177
V94168	165	267
V94169	150	241
V94169	151	242
V94169	152	243
V94169	169	272
V94170	150	241
V94170	151	242
V94170	152	243
V94170	169	272
V94171	52	107
V94171	53	108
V94171	54	109
V94172	52	107
V94172	53	108
V94172	54	109
V94173	174	283
V94173	386	663
V94174	174	283
V94174	386	663
V94175	164	266
V94175	99	177
V94176	164	266
V94176	99	177
V94178	137	226
V94178	138	227
V94178	142	231
V94178	145	236
V94178	146	237
V94178	147	238
V94178	148	239
V94178	155	248
V94178	155	249
V94179	137	226
V94179	138	227
V94179	142	231
V94179	145	236
V94179	146	237
V94179	147	238
V94179	148	239
V94179	155	248
V94179	155	249
V94180	212	363
V94180	214	366
V94180	214	367
V94181	212	363
V94181	214	367

			9
V94183	437	754	
V94183	438	756	
V94187	281	509	
V94187	282	510	
V94187	284	512	
V94187	285	513	
V94187	287	515	
V94187	288	516	
V94187	290	519	
V94187	291	521	
V94187	292	522	
V94187	294	524	
V94187	296	526	
V94187	297	527	
V94187	298	528	
V94187	299	529	
V94187	300	530	
V94187	303	533	
V94187	303	534	
V94187	304	535	
V94187	305	536	
V94187	306	537	
V94187	307	538	
V94188	347	593	
V94189	343	588	
V94189	347	593	
V94190	308	541	
V94190	309	542	
V94190	310	543	
V94190	311	544	
V94190	312	545	
V94190	313	546	
V94190	314	547	
V94190	315	548	
V94190	316	549	
V94190	317	550	
V94190	318	551	
V94190	319	552	
V94190	320	553	
V94190	321	554	
V94190	322	557	
V94190	323	558	
V94190	324	559	
V94190	325	560	
V94190	325	561	
V94190	326	562	
V94190	326	563	
V94190	327	564	
V94191	308	541	
V94191	309	542	
V94191	310	543	
V94191	311	544	
V94191	312	545	
V94191	313	546	
V94191	314	547	
V94191	315	548	
V94191	316	549	
V94191	317	550	
V94191	318	551	
V94191	319	552	


			9
V94191	320	553	
V94191	321	554	
V94191	322	557	
V94191	323	558	
V94191	324	559	
V94191	325	560	
V94191	325	561	
V94191	326	562	
V94191	326	563	
V94191	327	564	
V94198	173	281	
V94198	175	285	
V94198	188	309	
V94199	173	281	
V94199	175	285	
V94199	188	309	
V94200	133	221	
V94200	135	223	
V94200	135	224	
V94200	136	225	
V94201	133	221	
V94201	135	223	
V94201	135	224	
V94201	136	225	
V94202	11	24	
V94202	12	25	
V94202	13	26	
V94203	62	126	
V94204	62	126	
V94204	63	129	
V94204	64	130	
V94204	65	132	
V94205	162	263	
V94205	163	264	
V94205	163	265	
V94205	166	269	
V94206	162	263	
V94206	163	264	
V94206	163	265	
V94206	166	269	
V94217	164	266	
V94217	99	177	
V94229	164	266	
V94229	99	177	
V94314	360	619	
V94314	361	620	
V94315	360	619	
V94315	361	620	
V94319	378	650	
V94319	379	651	
V94319	380	652	
V94319	381	653	
V94319	381	654	
V94319	382	655	
V94320	241	417	
V94337	378	650	
V94337	380	652	
V94337	381	653	
V94337	381	654	
V94337	382	655	


			9
V94338	281	509	
V94338	282	510	
V94338	284	512	
V94338	285	513	
V94338	286	514	
V94338	287	515	
V94338	288	516	
V94338	290	519	
V94338	291	521	
V94338	292	522	
V94338	294	524	
V94338	296	526	
V94338	297	527	
V94338	298	528	
V94338	299	529	
V94338	300	530	
V94338	303	533	
V94338	303	534	
V94338	304	535	
V94338	305	536	
V94338	306	537	
V94338	307	538	
V94339	281	509	
V94339	282	510	
V94339	284	512	
V94339	285	513	
V94339	286	514	
V94339	287	515	
V94339	288	516	
V94339	290	519	
V94339	291	521	
V94339	292	522	
V94339	294	524	
V94339	296	526	
V94339	298	528	
V94339	300	530	
V94339	303	533	
V94339	303	534	
V94339	304	535	
V94339	305	536	
V94339	306	537	
V94339	307	538	
V94436	359	616	
V94436	359	617	
V94438	139	228	
V94438	140	229	
V94438	141	230	
V94440	359	616	
V94440	359	617	
V94442	225	390	
V94442	226	391	
V94442	227	393	
V94442	228	395	
V94442	229	397	
V94442	230	398	
V94442	231	400	
V94442	232	402	
V94442	233	403	
V94442	234	404	
V94442	235	406	


			9
V94442	236	407	
V94442	237	408	
V94442	260	465	
V94442	261	466	
V94442	277	500	
V94442	278	502	
V94442	279	504	
V94442	280	505	
V94442	280	506	
V94447	219	377	
V94481	417	721	
V94481	418	722	
V94481	419	723	
V94481	420	724	
V94481	429	742	
V94481	430	743	
V94481	431	744	
V94481	432	745	
V94481	435	749	
V94481	435	750	
V94481	436	751	
V94481	436	752	
V94481	437	753	
V94486	139	228	
V94486	140	229	
V94486	141	230	
V94486	149	240	
V94487	139	228	
V94487	140	229	
V94487	141	230	
V94487	149	240	
V94488	170	275	
V94489	170	275	
V94490	143	233	
V94490	144	234	
V94490	153	246	
V94490	154	247	
V94491	143	233	
V94491	144	234	
V94491	153	246	
V94491	154	247	
V94492	77	149	
V94492	78	151	
V94493	77	149	
V94493	78	151	
V94494	134	222	
V94495	134	222	
V94498	257	458	
V94498	258	459	
V94498	259	462	
V94498	259	463	
V94498	263	470	
V94498	264	471	
V94498	266	475	
V94498	267	476	
V94498	268	478	
V94498	270	485	
V94498	271	486	
V94498	272	488	
V94498	273	489	


NUMERICAL PARTS LIST


Numerische Teilenummernliste • Elenco riferimenti
Liste des références produits


 9		
V94498	273	490
V94498	274	491
V94498	274	492
V94498	275	493
V94499	257	458
V94499	258	459
V94499	259	462
V94499	259	463
V94499	263	470
V94499	264	471
V94499	266	475
V94499	267	476
V94499	268	478
V94499	270	485
V94499	271	486
V94499	272	488
V94499	273	489
V94499	273	490
V94499	274	491
V94499	274	492
V94499	275	493
V94501	266	475
V94501	267	476
V94501	268	478
V94501	270	485
V94501	271	486
V94501	272	488
V94501	273	489
V94501	273	490
V94501	274	491
V94501	274	492
V94513	383	656
V94513	384	659
V94513	385	660
V94513	412	712
V94513	413	714
V94514	383	656
V94514	384	659
V94514	385	660
V94514	412	712
V94514	413	714
V94552	400	690
V94552	407	702
V94553	369	638
V94553	370	639
V94553	370	640
V94553	371	641
V94553	373	643
V94553	374	645
V94553	375	646
V94553	376	648
V94553	377	649
V94562	379	651
V94566	190	312
V94566	191	314
V94567	190	312
V94567	191	314
V94573	338	581
V94573	338	582
V94573	339	583


 9		
V94573	348	594
V94573	349	596
V94573	350	597
V94574	338	581
V94574	338	582
V94574	339	583
V94574	348	594
V94574	349	596
V94574	350	597
V94599	63	129
V94599	64	130
V94599	65	132
V94601	15	30
V94602	15	30
V94603	17	35
V94604	17	35
V94606	341	585
V94606	342	586
V94606	352	602
V94606	353	603
V94606	353	604
V94606	354	605
V94606	355	607
V94606	355	608
V94606	356	609
V94606	356	610
V94606	358	613
V94607	341	585
V94607	342	586
V94607	352	602
V94607	353	603
V94607	353	604
V94607	354	605
V94607	355	607
V94607	355	608
V94607	356	609
V94607	356	610
V94607	358	613
V94608	246	429
V94608	248	433
V94608	249	434
V94608	250	435
V94608	251	437
V94608	251	438
V94608	254	446
V94608	254	447
V94609	246	429
V94609	248	433
V94609	249	434
V94609	250	435
V94609	251	437
V94609	251	438
V94609	254	446
V94609	254	447
V94614	347	593
V94615	347	593
V94616	343	588
V94705	208	355
V94705	209	356
V94705	211	360


 9		
V94706	208	355
V94706	209	356
V94706	211	360
V94960	44	90
V94960	45	92
V94960	46	93
V94960	46	94
V94960	47	96
V94961	44	90
V94961	45	92
V94961	46	93
V94961	46	94
V94961	47	96
V94969	5	12
V94970	5	12
V95001	362	622
V95001	363	623
V95001	363	624
V95002	362	622
V95002	363	623
V95002	363	624
V95035	48	98
V95035	50	103
V95035	51	105
V95035	51	105
V95036	48	98
V95036	50	103
V95036	51	105
V95037	56	113
V95037	57	116
V95038	56	113
V95038	57	116
V95083	153	245
V95084	153	245
V98028	170	274
V98029	170	274
V98081	25	57
V98082	25	57
VAG50758	206	350
VAG50758	207	352
VAG50758	215	369
VAG50758	215	370
VAG50758	216	371
VAG50758	216	372
VAG50758	217	374
VAG50758	217	375
VAG50758	218	376
VAG50758	219	378
VAG50758	220	379
VAG50758	220	380
VAG50758	220	381
VAG50758	221	382
VAG50758	221	383
VAG50758	222	384
VAG50758	222	385
VAG50758	238	411
VAG50758	239	412
VAG50758	239	413
VAG50758	240	414
VAG50758	240	415
VAG50758	241	417

 9		
VAG50758	242	418
VAG50758	242	419
VAG50758	243	421
VAG50758	244	422
VAG50758	245	425
VAG51007	129	210
VAG51007	129	211
VAG51007	130	212
VAG51007	130	213
VAG51007	131	214
VAG51007	131	215
VAG51007	131	216
VAG51007	132	217
VAG51007	176	289
VAG51007	177	290
VAG51007	177	291
VAG51007	178	292
VAG51007	179	294
VAG92098	19	43
VAG92098	20	47
VAG92098	21	49
VAG92098	223	387
VAG92098	223	388
VAG92098	224	389
VAG92098	23	53
VAG92098	24	55
VAG92098	6	13
VAG92098	7	16
VAG92098	8	17
VAG92098	8	18
VAG92179	132	219
VAG92179	175	286
VAG92179	176	288
VAG92179	185	302
VAG92179	186	303
VAG92179	197	330
VAG92179	198	331
VAG92179	198	333
VAG92179	199	337
VAG92179	200	338
VAG92179	200	339
VAG92179	201	341
VAG92288B	109	190
VAG92288B	110	191
VAG92288B	111	192
VAG92288B	112	193
VAG92288B	113	194
VAG92288B	114	195
VAG92288B	115	196
VAG92288B	116	197
VAG92288B	117	198
VAG92288B	118	199
VAG92288B	119	200
VAG92288B	120	201
VAG92288B	121	202
VAG92288B	122	203
VAG92288B	123	204
VAG92288B	124	205
VAG92288B	125	206
VAG92288B	126	207

			9
VAG92288B	127	208	
VAG92288B	128	209	
VAG92288B	66	135	
VAG92288B	68	137	
VAG92288B	69	138	
VAG92288B	70	139	
VAG92288B	71	140	
VAG92329B	256	454	
VAG92329B	281	509	
VAG92329B	282	510	
VAG92329B	284	512	
VAG92329B	285	513	
VAG92329B	286	514	
VAG92329B	287	515	
VAG92329B	288	516	
VAG92329B	290	519	
VAG92329B	291	521	
VAG92329B	292	522	
VAG92329B	294	524	
VAG92329B	295	525	
VAG92329B	296	526	
VAG92329B	297	527	
VAG92329B	298	528	
VAG92329B	299	529	
VAG92329B	300	530	
VAG92329B	301	531	
VAG92329B	302	532	
VAG92329B	303	533	
VAG92329B	303	534	
VAG92329B	304	535	
VAG92329B	305	536	
VAG92329B	306	537	
VAG92329B	307	538	
VAG92330B	367	634	
VAG92330B	367	635	
VAG92330B	368	636	
VAG92330B	369	638	
VAG92330B	370	639	
VAG92330B	370	640	
VAG92330B	371	641	
VAG92330B	372	642	
VAG92330B	373	643	
VAG92330B	373	644	
VAG92330B	374	645	
VAG92330B	375	646	
VAG92330B	376	648	
VAG92330B	377	649	
VAG92331B	109	190	
VAG92331B	110	191	
VAG92331B	111	192	
VAG92331B	112	193	
VAG92331B	113	194	
VAG92331B	114	195	
VAG92331B	118	199	
VAG92331B	119	200	
VAG92331B	120	201	
VAG92331B	121	202	
VAG92331B	122	203	
VAG92331B	123	204	
VAG92331B	124	205	


			9
VAG92331B	126	207	
VAG92331B	127	208	
VAG92331B	128	209	
VAG92331B	66	135	
VAG92331B	68	137	
VAG92332B	79	154	
VAG92332B	80	155	
VAG92332B	81	157	
VAG92332B	82	158	
VAG92332B	83	159	
VAG92332B	84	160	
VAG92332B	85	161	
VAG92332B	86	162	
VAG92332B	87	163	
VAG92332B	88	164	
VAG92332B	89	165	
VAG92332B	90	166	
VAG92332B	91	167	
VAG92332B	91	168	
VAG92332B	92	169	
VAG92332B	93	170	
VAG92332B	94	171	
VAG92332B	95	172	
VAG92332B	96	173	
VAG92332B	97	174	
VAG92332B	97	175	
VAG92332B	98	176	
VAG92333B	79	154	
VAG92333B	80	155	
VAG92333B	81	157	
VAG92333B	82	158	
VAG92333B	83	159	
VAG92333B	84	160	
VAG92333B	85	161	
VAG92333B	86	162	
VAG92333B	87	163	
VAG92333B	88	164	
VAG92333B	89	165	
VAG92333B	90	166	
VAG92333B	91	167	
VAG92333B	91	168	
VAG92333B	92	169	
VAG92333B	93	170	
VAG92333B	94	171	
VAG92333B	95	172	
VAG92333B	96	173	
VAG92337	180	295	
VAG92337	181	296	
VAG92337	182	297	
VAG92337	183	298	
VAG92337	184	299	
VAG92337	184	300	
VAG92337	185	301	
VAG92337	187	308	
VAG92337	388	671	
VAG92337	389	673	
VAG92337	390	674	
VAG92337	391	675	
VAG92337	392	677	
VAG92337	393	678	


			9
VAG92337	393	679	
VAG92337	394	680	
VAG92337	395	681	
VAG92337	396	682	
VAG92337	396	683	
VAG92337	397	684	
VAG92337	397	685	
VAG92337	398	686	
VAG92337	398	687	
VAG92337	399	688	
VAG92337	399	689	
VAG92337	400	691	
VAG92337	401	692	
VAG92337	402	693	
VAG92337	403	694	
VAG92337	403	695	
VAG92337	404	696	
VAG92337	404	697	
VAG92337	405	698	
VAG92337	405	699	
VAG92337	406	700	
VAG92337	407	701	
VAG92337	408	703	
VAG92337	408	704	
VAG92337	409	705	
VAG92337	410	706	
VAG92337	410	707	
VAG92337	412	711	
VAG92337	414	716	
VAG92366	171	277	
VAG92366	172	278	
VAG92369	202	343	
VAG92369	203	344	
VAG92369	204	345	
VAG92369	415	718	
VAG92369	416	719	
VAG92369	417	721	
VAG92369	418	722	
VAG92369	419	723	
VAG92369	420	724	
VAG92369	420	725	
VAG92369	421	726	
VAG92369	421	727	
VAG92369	422	728	
VAG92369	423	730	
VAG92369	424	733	
VAG92369	424	734	
VAG92369	425	735	
VAG92369	426	736	
VAG92369	427	739	
VAG92369	428	740	
VAG92369	429	742	
VAG92369	430	743	
VAG92369	431	744	
VAG92369	432	745	
VAG92369	433	746	
VAG92369	434	747	
VAG92369	435	749	
VAG92369	426	736	
VAG92369	427	739	
VAG92369	428	740	
VAG92369	429	742	
VAG92369	430	743	
VAG92369	431	744	
VAG92369	432	745	
VAG92369	433	746	
VAG92369	434	747	
VAG92369	435	749	
VAG92369	435	750	
VAG92369	436	751	


			9
VAG92369	436	752	
VAG92369	437	753	
VAG92369	438	757	
VAG92369	439	759	
VAG92369	439	760	
VAG92369	440	761	
VAG92369	441	763	
VAG92369	442	764	
VAG92369	443	767	
VAG92369	444	769	
VAG92373	202	343	
VAG92373	203	344	
VAG92373	204	345	
VAG92373	415	718	
VAG92373	416	719	
VAG92373	417	721	
VAG92373	418	722	
VAG92373	419	723	
VAG92373	420	724	
VAG92373	420	725	
VAG92373	421	726	
VAG92373	421	727	
VAG92373	422	728	
VAG92373	423	730	
VAG92373	424	733	
VAG92373	424	734	
VAG92373	425	735	
VAG92373	426	736	
VAG92373	427	739	
VAG92373	428	740	
VAG92373	429	742	
VAG92373	430	743	
VAG92373	431	744	
VAG92373	432	745	
VAG92373	433	746	
VAG92373	434	747	
VAG92373	435	749	
VAG92373	435	750	
VAG92373	436	751	
VAG92373	437	753	
VAG92373	438	757	
VAG92373	439	759	
VAG92373	439	760	
VAG92373	440	761	
VAG92373	441	763	
VAG92373	442	764	
VAG92373	443	767	
VAG92373	444	769	
VAG92401	10	21	
VAG92401	13	27	
VAG92401	14	28	
VAG92401	26	59	
VAG92401	27	61	
VAG92401	28	65	
VAG92401	29	67	
VAG92401	3	6	
VAG92401	3	7	
VAG92401	30	70	
VAG92401	31	71	


NUMERICAL PARTS LIST


Numerische Teilenummernliste • Elenco riferimenti
Liste des références produits


 9		
VAG92401	31	72
VAG92401	32	73
VAG92401	33	75
VAG92401	34	76
VAG92401	35	77
VAG92401	36	78
VAG92401	37	79
VAG92401	37	80
VAG92401	38	81
VAG92401	38	82
VAG92401	39	83
VAG92401	4	9
VAG92401	40	85
VAG92401	40	86
VAG92401	41	87
VAG92401	42	88
VAG92401	43	89
VAG92401	5	10
VAG92401	9	20
VAG92443B	256	454
VAG92444	202	343
VAG92444	203	344
VAG92444	204	345
VAG92444	415	718
VAG92444	416	719
VAG92444	417	721
VAG92444	418	722
VAG92444	419	723
VAG92444	420	724
VAG92444	420	725
VAG92444	421	726
VAG92444	421	727
VAG92444	422	728
VAG92444	423	730
VAG92444	424	733
VAG92444	424	734
VAG92444	425	735
VAG92444	426	736
VAG92444	427	739
VAG92444	429	742
VAG92444	430	743
VAG92444	431	744
VAG92444	432	745
VAG92444	433	746
VAG92444	434	747
VAG92444	435	749
VAG92444	435	750
VAG92444	436	751
VAG92444	436	752
VAG92444	437	753
VAG92444	438	757
VAG92444	439	759
VAG92444	439	760
VAG92444	440	761
VAG92444	441	763
VAG92444	442	764
VAG92444	443	767
VAG92444	444	769
VAG92444	425	735
VAG92444	426	736
VAG92444	427	739
VAG92444	429	742
VAG92444	430	743
VAG92444	431	744
VAG92444	432	745
VAG92444	433	746
VAG92444	434	747
VAG92444	435	749
VAG92444	435	750
VAG92444	436	751
VAG92444	436	752
VAG92444	437	753
VAG92444	438	757
VAG92444	439	759
VAG92444	439	760
VAG92444	440	761
VAG92444	441	763
VAG92444	442	764
VAG92444	443	767
VAG92444	444	769
VAG92444	202	343
VAG92445	203	344


 9		
VAG92445	204	345
VAG92445	415	718
VAG92445	416	719
VAG92445	417	721
VAG92445	418	722
VAG92445	419	723
VAG92445	420	724
VAG92445	420	725
VAG92445	421	726
VAG92445	421	727
VAG92445	422	728
VAG92445	423	730
VAG92445	424	733
VAG92445	424	734
VAG92445	425	735
VAG92445	426	736
VAG92445	427	739
VAG92445	429	742
VAG92445	430	743
VAG92445	431	744
VAG92445	432	745
VAG92445	433	746
VAG92445	434	747
VAG92445	435	749
VAG92445	435	750
VAG92445	436	751
VAG92445	436	752
VAG92445	437	753
VAG92445	438	757
VAG92445	439	759
VAG92445	439	760
VAG92445	440	761
VAG92445	441	763
VAG92445	442	764
VAG92445	443	767
VAG92445	444	769
VAG92465B	125	206
VAG96046B	189	311
VAG96046B	190	312
VAG96046B	191	314
VAG96046B	192	315
VAG96049	39	84
VAG96049	52	107
VAG96049	53	108
VAG96049	54	109
VAG96050	219	377
VAG96051	219	377
VAG96055	437	754
VAG96055	438	756
VAG96056	437	754
VAG96056	438	756
VAG96056B	80	155
VAG96056B	82	158
VAG96056B	83	159
VAG96056B	84	160
VAG96056B	85	161
VAG96056B	86	162
VAG96056B	97	174
VAG96056B	97	175
VAG96056B	98	176

 9		
VAG96057B	338	581
VAG96057B	338	582
VAG96057B	339	583
VAG96057B	340	584
VAG96057B	343	588
VAG96057B	344	589
VAG96057B	345	590
VAG96057B	346	592
VAG96057B	347	593
VAG96057B	348	594
VAG96057B	349	595
VAG96057B	349	596
VAG96057B	350	597
VAG96067	5	12
VAG96078	103	182
VAG96078	103	183
VAG96078	104	184
VAG96078	104	185
VAG96100	73	144
VAG96100	75	146
VAG96100	76	147
VAG96116B	102	181
VAG96116B	105	186
VAG96116B	106	187
VAG96116B	107	188
VAG96116B	108	189
VAG96116B	161	261
VAG96116B	81	157
VAG96116B	87	163
VAG96116B	88	164
VAG96116B	89	165
VAG96116B	97	175
VAG96116B	98	176
VAG96119	137	226
VAG96119	138	227
VAG96119	139	228
VAG96119	140	229
VAG96119	141	230
VAG96119	142	231
VAG96119	143	233
VAG96119	144	234
VAG96119	145	236
VAG96119	146	237
VAG96119	147	238
VAG96119	148	239
VAG96119	153	245
VAG96119	153	246
VAG96119	154	247
VAG96119	155	248
VAG96119	155	249
VAG96132	10	21
VAG96132	11	24
VAG96132	12	25
VAG96132	13	26
VAG96132	13	27
VAG96132	14	28
VAG96132	26	59
VAG96132	27	61
VAG96132	28	65
VAG96132	29	67

 9		
VAG96132	3	6
VAG96132	3	7
VAG96132	30	70
VAG96132	31	71
VAG96132	33	75
VAG96132	34	76
VAG96132	35	77
VAG96132	36	78
VAG96132	37	79
VAG96132	37	80
VAG96132	38	81
VAG96132	38	82
VAG96132	39	83
VAG96132	4	9
VAG96132	40	85
VAG96132	40	86
VAG96132	41	87
VAG96132	42	88
VAG96132	43	89
VAG96132	5	10
VAG96132	60	124
VAG96132	61	125
VAG96132	9	20
VAG96158	360	619
VAG96158	361	620
VAG96160B	109	190
VAG96160B	110	191
VAG96160B	111	192
VAG96160B	112	193
VAG96160B	113	194
VAG96160B	114	195
VAG96160B	115	196
VAG96160B	128	209
VAG96163B	336	578
VAG96163B	337	580
VAG96163B	359	616
VAG96163B	359	617
VAG96166B	103	182
VAG96166B	103	183
VAG96166B	104	184
VAG96166B	104	185
VAG96166B	162	263
VAG96166B	163	264
VAG96166B	163	265
VAG96166B	164	266
VAG96166B	166	268
VAG96166B	166	269
VAG96166B	99	177
VAG96172B	225	390
VAG96172B	226	391
VAG96172B	227	393
VAG96172B	228	395
VAG96172B	229	397
VAG96172B	230	398
VAG96172B	231	400
VAG96172B	232	402
VAG96172B	233	403
VAG96172B	234	404
VAG96172B	235	406
VAG96172B	236	407

 9		
VAG96172B	237	408
VAG96172B	260	465
VAG96172B	261	466
VAG96172B	277	500
VAG96172B	278	502
VAG96172B	279	504
VAG96172B	280	505
VAG96172B	280	506
VAG96182B	225	390
VAG96182B	226	391
VAG96182B	227	393
VAG96182B	228	395
VAG96182B	229	397
VAG96182B	230	398
VAG96182B	231	400
VAG96182B	232	402
VAG96182B	233	403
VAG96182B	234	404
VAG96182B	235	406
VAG96182B	236	407
VAG96182B	237	408
VAG96182B	260	465
VAG96182B	261	466
VAG96182B	277	500
VAG96182B	278	502
VAG96182B	279	504
VAG96182B	280	505
VAG96182B	280	506
VAG96208	39	84
VAG96215B	150	241
VAG96215B	151	242
VAG96215B	152	243
VAG96215B	169	272
VAG96226B	256	454
VAG96226B	281	509
VAG96226B	282	510
VAG96226B	283	511
VAG96226B	284	512
VAG96226B	285	513
VAG96226B	286	514
VAG96226B	287	515
VAG96226B	288	516
VAG96226B	290	519
VAG96226B	291	521
VAG96226B	292	522
VAG96226B	294	524
VAG96226B	295	525
VAG96226B	296	526
VAG96226B	297	527
VAG96226B	298	528
VAG96226B	299	529
VAG96226B	300	530
VAG96226B	301	531
VAG96226B	302	532
VAG96226B	303	533
VAG96226B	303	534
VAG96226B	304	535
VAG96226B	305	536
VAG96226B	306	537
VAG96226B	307	538

 9		
VAG96238B	212	363
VAG96238B	214	367
VAG96271B	173	281
VAG96271B	174	283
VAG96271B	175	285
VAG96271B	63	129
VAG96271B	64	130
VAG96271B	65	132
VAG96292B	208	355
VAG96292B	209	356
VAG96292B	211	360
VAG96292B	257	458
VAG96292B	258	459
VAG96292B	259	462
VAG96292B	259	463
VAG96292B	263	470
VAG96292B	264	471
VAG96292B	266	475
VAG96292B	267	476
VAG96292B	268	478
VAG96292B	270	485
VAG96292B	271	486
VAG96292B	272	488
VAG96292B	273	489
VAG96292B	273	490
VAG96292B	274	491
VAG96292B	274	492
VAG96292B	275	493
VAG96292B	341	585
VAG96292B	342	586
VAG96292B	352	602
VAG96292B	353	603
VAG96292B	353	604
VAG96292B	354	605
VAG96292B	355	607
VAG96292B	355	608
VAG96292B	356	609
VAG96292B	356	610
VAG96292B	358	613
VAG96293	366	632
VAG96294B	308	541
VAG96294B	309	542
VAG96294B	310	543
VAG96294B	311	544
VAG96294B	312	545
VAG96294B	313	546
VAG96294B	314	547
VAG96294B	315	548
VAG96294B	316	549
VAG96294B	317	550
VAG96294B	318	551
VAG96294B	319	552
VAG96294B	320	553
VAG96294B	321	554
VAG96294B	322	557
VAG96294B	323	558
VAG96294B	324	559
VAG96294B	325	560
VAG96294B	325	561
VAG96294B	326	562

 9		
VAG96294B	326	563
VAG96294B	327	564
VAG96295	387	667

OE INTERCHANGE

OE-Vergleichsliste • Intercambio con OE
Références croisées 1ère Monte

OE		OE		OE		OE		OE	
0119.13	NF867	0197.G4	CY130	0198.29	DG210	0204.57	HBS038	0209.93	AG5270
0119.14	NF867	0197.G4	CY131	0198.30	DM710	0204.67	HBS115	0209.99	BV150
0127.28	NF844	0197.G6	CY080	0198.31	GG210	0204.68	HBS125	0209.0H	AG9750
0127.28	NF869	0197.G7	CY090	0198.36	DF300	0204.72	HBS087	0209.0N	AG9710
0127.42	NA5259	0197.H0	DV150	0198.37	DM530	0204.74	HBS114	0209.0P	AG9730
0164.02	PA349	0197.H1	DV150	0198.40	GF583	0204.75	HBS114	0209.0Q	AG9720
0164.30	PA349	0197.H3	DS820	0198.45	GF583	0204.80	HBS089	0209.0R	AG9740
0164.54	KG5012	0197.H3	DY310	0198.46	GF583	0204.81	HBS254	0209.0S	AD5490
0165.T0	GF492	0197.H4	DJ720	0198.47	DF580	0204.84	HBS082	0209.0T	AD5500
0197.06	GF583	0197.H5	GJ720	0198.50	DM530	0204.85	HBS113	0209.0V	AD5510
0197.08	DF580	0197.H6	DN590	0198.51	GM533	0204.86	HBS272	0209.0W	AD5520
0197.09	DF580	0197.H8	DS810	0198.52	GG120	0204.87	HBS273	0209.0X	AH5040
0197.10	GF583	0197.H8	DT010	0198.53	GG050	0204.88	HBS273	0209.0Y	AH5060
0197.13	GM533	0197.H8	DT013	0198.54	DG050	0204.89	HBS260	0209.0Z	AH5050
0197.22	DG171	0197.H9	EH951	0198.56	DF580	0204.90	HBS261	0209.1A	AH5070
0197.25	GG050	0197.J0	DY130	0198.61	GF120	0204.93	HBS259	0209.1C	AA5880
0197.26	GG050	0197.J1	EY130	0198.62	DG120	0204.95	HBS309	0209.1E	AD5180
0197.28	GG052	0197.J2	DR510	0198.64	GM533	0204.96	HBS272	0209.A0	BV160
0197.29	GG451	0197.J4	DM533	0198.65	GF570	0204.97	HBS084	0209.A6	BN580
0197.31	DH890	0197.J6	DF106	0198.66	GG120	0204.97	HBS245	0209.A7	BP720
0197.36	GJ720	0197.J9	DM533	0198.67	DG120	0204.98	HBS277	0209.A8	BL650
0197.37	DJ720	0197.K1	DG452	0198.72	DM530	0204.A2	HBS359	0209.A9	BY130
0197.41	DN590	0197.K3	DS731	0198.74	DG120	0204.A4	HBS359	0209.AC	AH6560
0197.42	EL650	0197.K4	EH950	0198.75	GG120	0204.A5	HBS489	0209.AE	AH6570
0197.49	GM310	0197.K7	DN571	0198.80	DF580	0209.04	BM530	0209.AF	AH6580
0197.50	DG052	0197.K7	DN571	0198.83	DF572	0209.06	BL650	0209.AG	AH6590
0197.51	DM530	0197.K7	DN582	0198.84	GF570	0209.12	BH950	0209.AH	AH6600
0197.52	GM533	0197.N5	DG052	0198.88	GM533	0209.17	BX870	0209.AJ	AD5130
0197.54	DN590	0197.N7	DG050	0198.89	GF583	0209.20	BR510	0209.AK	AD5140
0197.55	GL650	0197.N8	GG050	0198.91	GF583	0209.21	BL650	0209.AL	AD5150
0197.56	GG452	0197.N9	DH890	0198.93	DF580	0209.23	BM530	0209.AN	AD5160
0197.73	DF106	0197.P2	GM310	0198.94	GG050	0209.27	BF100	0209.AP	AD5170
0197.74	DN571	0197.P9	GF583	0198.96	DG050	0209.28	BG480	0209.AQ	AH5080
0197.75	DN582	0197.R0	GF583	0198.97	CG9710	0209.29	BF170	0209.AR	AH5090
0197.76	EH950	0197.R2	GG780	0198.C3	GM533	0209.30	BG490	0209.AS	AH5100
0197.78	GF583	0197.R9	DL831	0199.01	DG171	0209.31	BP890	0209.AT	AH5110
0197.79	GF583	0197.S1	DG542	0199.03	GG780	0209.32	BP900	0209.CO	BS820
0197.81	GF583	0197.S1	DG542	0199.05	DG052	0209.34	BP900	0209.C3	BR890
0197.84	DM533	0197.S2	GG541	0199.06	GG052	0209.35	BR510	0209.C5	BP900
0197.90	DL650	0197.T3	CY082	0199.10	GF570	0209.41	AG5270	0209.C7	BP910
0197.90	DN590	0197.T4	CY081	0199.37	GF322	0209.43	BS810	0209.C8	BP890
0197.91	GF570	0197.T6	DY140	0199.54	GF322	0209.47	BN580	0209.C9	BP900
0197.92	DF572	0197.T8	CY082	0199.58	GG210	0209.49	BN780	0209.CA	AD5130
0197.98	GM533	0197.V1	CY140	0199.59	DG210	0209.50	BP900	0209.CC	AD5140
0197.99	DM530	0197.V1	DY150	0199.87	DG210	0209.51	BP910	0209.CE	AD5150
0197.99	DM533	0197.V3	DR630	0203.01	BG450	0209.53	BP720	0209.CF	AD5160
0197.A1	GG120	0197.W3	CE5050	0203.02	BG170	0209.55	BP890	0209.CG	AD5170
0197.A2	DF106	0197.X3	CC5010	0203.04	BP890	0209.56	BX900	0209.CH	AG9030
0197.A6	DT012	0197.X5	CA5830	0203.08	BH950	0209.57	BX920	0209.CJ	AD5700
0197.A6	EH951	0197.X8	CY070	0203.20	BF220	0209.58	BL650	0209.CR	AH5060
0197.A7	DT012	0197.X8	CY070	0203.23	BL620	0209.59	BP890	0209.CS	AH5040
0197.A9	DL831	0197.Y2	GX410	0203.24	BF230	0209.61	BP910	0209.CW	AH5730
0197.AC	CD5500	0197.Y6	ED5490	0203.40	BF250	0209.69	AG5270	0209.CX	AH5731
0197.AG	CG9310	0197.Y7	CD5490	0203.49	BX900	0209.70	BR490	0209.CY	AH5732
0197.C4	GM533	0197.Y8	CG9750	0203.51	BF220	0209.72	BR510	0209.CZ	AH5733
0197.C6	DM530	0197.Y9	GX392	0203.59	BF290	0209.75	BG450	0209.D1	BP910
0197.C7	DF106	0197.Z4	GX392	0203.61	BF300	0209.76	BM530	0209.D6	AY110
0197.C9	DS820	0198.02	GG210	0203.66	BG120	0209.78	BL830	0209.D7	BS820
0197.E5	DV150	0198.06	DM530	0203.67	BG130	0209.79	BR510	0209.E1	BL650
0197.E7	DV150	0198.11	DM710	0203.70	BF580	0209.81	BR780	0209.E9	BY120
0197.F3	DY130	0198.13	DF580	0203.83	BF570	0209.82	BR790	0209.EC	AG9310
0197.F9	GJ720	0198.15	GF322	0203.84	BF290	0209.83	BS820	0209.EH	AH6390
0197.G0	DJ720	0198.19	DF580	0203.97	BG780	0209.89	BS810	0209.ES	AH6400
0197.G2	DS731	0198.20	GF220	0203.98	BG790	0209.89	DS810	0209.ET	AH6410
0197.G3	CY130	0198.24	GF220	0203.99	BG800	0209.90	BR490	0209.EW	AH6440

OE		OE		OE		OE		OE	
0209.F4	BM530	0209.S8	BX910	0249.45	JN426	0348.J0	JC991	0516.51	TB574
0209.F6	BY180	0209.S9	BX920	0249.46	JN544	0348.K7	JD5879	0540.41	DY070
0209.FA	AH6630	0209.T1	BY150	0249.48	JN547	0348.L7	JD5254	0807.24	NA5260
0209.FR	AH6530	0209.T5	AE5050	0249.53	JN238	0348.N1	HA5008	0807.28	NA5035
0209.FS	AH6630	0209.T6	BY930	0249.54	JN658	0348.N2	HA5008	0807.30	NA5258
0209.G0	BX870	0209.T7	BX980	0249.55	JN245	0348.N4	JD5191	0816.16	TB114
0209.G1	BP760	0209.T8	BY150	0249.70	JP045	0348.P9	JD5907	0816.19	TB126
0209.G6	BF290	0209.W3	AE5020	0249.71	JP043	0348.Q0	JD5906	0816.22	TB175
0209.G7	BF570	0209.W6	DT010	0249.74	JP044	0348.Q5	HA5032	0816.22	TB560
0209.G8	BH950	0209.W7	AD5710	0249.76	JN758	0348.R2	HA5029	0816.24	TB226
0209.H8	BG490	0209.W8	BY180	0249.78	JN426	0348.R4	HA5030	0816.29	TB226
0209.H9	BF100	0209.X0	AA5830	0249.81	JP041	0348.R5	HA5031	0816.31	TB191
0209.J0	BF170	0209.X1	AA5840	0249.83	JP049	0348.R7	JD5883	0816.31	TB421
0209.J1	BF220	0209.X2	AA5850	0249.91	JN544	0348.R8	JD5971	0816.32	TB194
0209.J3	BG120	0209.X3	AA5860	0249.93	JP041	0348.S1	JD5882	0816.33	TB227
0209.J4	BG130	0209.X4	AA5870	0249.95	JM5088	0348.S3	HM5289	0816.34	TB177
0209.J5	BG780	0209.X5	AC5011	0249.99	JM5087	0348.S4	JD5845	0816.36	TB304
0209.J6	BG800	0209.X6	AC5020	0249.A3	JM5283	0348.S5	JD5830	0816.37	TB259
0209.J8	BV140	0209.X7	AC5031	0249.A3	JM7121	0348.T4	JD6034	0816.40	TB345
0209.K1	BX920	0209.X8	AC5040	0249.A4	JM5139	0349.03	JB841	0816.42	TB304
0209.K2	BF500	0209.X9	AC5051	0249.A5	JM5283	0349.06	JB842	0816.44	TB259
0209.K3	BF040	0209.Y0	AC5700	0249.A6	JM5141	0349.08	JB842	0816.45	TB259
0209.K4	BH990	0209.Y5	BX930	0249.A9	JM7035	0349.23	JB875	0816.46	TB175
0209.K7	BF600	0209.Y6	BX940	0249.C1	JM5299	0349.32	JB954	0816.46	TB560
0209.K9	BH930	0209.Y7	BX950	0249.C2	JM7034	0349.34	JC091	0816.48	TB419
0209.L2	BF580	0209.Y7	BX970	0249.C5	JM7051	0349.46	JB869	0816.53	TB319
0209.L3	BR510	0209.Y8	BX960	0249.C9	JM7042	0349.47	JC423	0816.54	TB320
0209.L5	BG450	0209.Y9	BX970	0249.E2	JM7052	0349.49	JC415	0816.55	TB376
0209.L6	BL830	0209.Z0	AE5010	0249.E4	HM5369	0349.52	JC712	0816.56	TB304
0209.L7	BL650	0209.Z1	AE5030	0249.E5	HM5369	0349.59	JC415	0816.58	TB175
0209.L8	BR510	0209.Z3	AD5300	0249.E6	HM5371	0349.60	JB837	0816.58	TB560
0209.L9	BY310	0220.16	VAG92179	0249.E7	HM5371	0349.63	JC702	0816.59	TB175
0209.N0	AY090	0220.25	VAG51007	0304.05	JJ057	0349.70	JC415	0816.60	TB419
0209.N1	BS820	0220.38	VAG92337	0304.09	JJ057	0349.76	JD230	0816.62	TB419
0209.N3	BG540	0220.51	VAG92098	0304.26	JJ283	0349.78	JC423	0816.63	TB278
0209.N4	BS730	0220.55	VAG92331B	0304.33	HC341	0349.92	HA512	0816.64	TB245
0209.N6	AY070	0220.59	VAG92401	0304.34	JJ283	0349.94	JB841	0816.65	TB453
0209.N9	BY320	0220.60	VAG96132	0304.55	JH5107	0349.98	JD535	0816.67	TB226
0209.P0	AY100	0220.64	VAG92332B	0311.64	HR599	0349.A6	JC702	0816.68	TB459
0209.P1	AY120	0220.65	VAG92288B	0313.02	KJ647	0349.E2	JB837	0816.69	TB454
0209.P4	BY961	0220.65	VAG92465B	0313.07	HC346	0349.E6	JD531	0816.71	TB419
0209.Q0	BR780	0220.75	VAG92288B	0313.26	PA349	0349.E8	JD5764	0816.72	TB457
0209.Q1	BR790	0220.76	VAG96160B	0321.63	NF694	0349.F0	JB869	0816.73	TB479
0209.Q3	AD5100	0220.91	VAG96049	0326.25	NF866	0349.F4	JD539	0816.79	TB305
0209.Q3	CD5100	0220.93	VAG96046B	0326.27	NA5256	0349.G0	JD5878	0816.85	TB700
0209.Q8	BX930	0220.95	VAG96271B	0326.38	BG120	0349.H0	JD539	0816.86	TB711
0209.Q9	BX940	0220.A0	VAG96100	0342.E0	HA5028	0349.H4	JD5190	0816.88	TB525
0209.Q6	AD5310	0220.A2	VAG96119	0345.L5	JD5880	0349.H7	JD5192	0816.89	TB727
0209.R0	BX950	0221.17	VAG92333B	0348.25	LV864	0349.J8	JD5829	0816.93	TB631
0209.R1	BX950	0221.17	VAG96056	0348.63	JB868	0349.L0	JD5999	0816.96	TB632
0209.R1	BX960	0221.17	VAG96056B	0348.80	JB836	0349.N0	JD5829	0816.98	TB479
0209.R2	BX970	0221.18	VAG96116B	0348.89	JC759	0470.97	BX740	0816.99	TB368
0209.R3	BY140	0221.19	VAG96166B	0348.91	JC750	0514.14	NF641	0816.A0	TB727
0209.R4	BY941	0221.28	VAG96067	0348.96	JD529	0514.15	NF678	0816.A1	TB683
0209.R5	BY950	0236.14	NF841	0348.98	JD5972	0514.17	NF641	0816.A3	TB701
0209.R7	BY970	0236.30	NF817	0348.C0	JC991	0514.18	NF678	0816.A4	TB558
0209.R8	BY981	0236.44	NF817	0348.C8	JD536	0514.20	NF634	0816.A4	TB558
0209.S0	BX830	0240.99	HBS125	0348.C8	JD536	0514.24	NF734	0816.A6	TB678
0209.S1	BX840	0249.14	JN244	0348.E5	JD530	0514.27	NF780	0816.A9	TB632
0209.S2	BX850	0249.19	JN245	0348.F0	HA510	0514.29	NF692	0816.C1	TB525
0209.S3	BX860	0249.25	JN245	0348.F6	JD519	0514.32	NF776	0816.C2	TB683
0209.S4	BX870	0249.31	JN303	0348.F9	JD532	0514.35	NF780	0816.C8	TB702
0209.S5	BX880	0249.37	JN302	0348.G4	JD5763	0514.38	NF870	0816.E0	TB700
0209.S6	BX890	0249.39	JN596	0348.H0	JB868	0514.65	NF752	0816.E2	TB724
0209.S7	BX900	0249.43	JN292	0348.H9	JC759	0514.74	NF857	0816.E4	TB720

OE INTERCHANGE

OE-Vergleichsliste • Intercambio con OE
Références croisées 1ère Monte

OE		OE		OE		OE		OE	
0816.E5	TB368	0831.83	TBK106	0948.E8	V95037	2200.81	VAG96215B	1157880	PA349
0816.E6	TB720	0831.84	TBK316	0949.21	V34460	3402.29	TB227	1161277	HR397
0816.E7	TB720	0831.85	TBK316	0949.25	V90351	112330	JN758	1162737	NF734
0816.F0	TB699	0831.86	TBK312	0949.45	V91152	131951	NF692	1210586	FY291
0816.F2	TB711	0831.87	TBK312	0949.47	V91145	164046	JB841	1218027	NF634
0816.F4	TB683	0831.88	TBK279	0949.47	V94017	170912	JE5044	1228836	HC5004
0816.F7	TB721	0831.89	TBK279	0949.50	V91152	170915	JE189	1229877	AD5130
0816.G1	TB722	0831.92	TBK338	0949.52	V91279	170920	JE5069	1229878	AD5140
0816.G3	TB742	0831.93	TBK304	0949.57	V91275	170921	JE5071	1229879	AD5150
0816.G4	TB744	0831.K0	TBK338	0949.58	V91272	170923	JE5070	1229880	AD5160
0816.G7	TB724	0831.K2	TBK304	0949.59	V91273	170933	JE5072	1229881	AD5170
0816.G8	TB813	0831.K6	TBK355	0949.60	V94017	171007	JE646	1235994	JM7034
0816.H3	TB727	0831.K7	TBK355	0949.61	V94183	171009	JE647	1238067	NA5031
0816.H5	TB813	0831.L2	TBK319	0949.62	V91470	171032	JE145	1254375	HA5030
0816.H6	TB700	0831.L3	TBK319	0949.64	V94017	171034	JE126	1254376	HA5031
0816.H7	TB700	0831.L6	TBK318	0949.64	V94024	171045	JE189	1270391	VAG96158
0816.J6	TB724	0831.L7	TBK318	0949.66	V91970	171058	JE189	1271483	JN302
0831.01	TBK049	0831.N2	TBK105	0949.68	V94170	172363	JD520	1288544	HR646
0831.02	TBK005	0831.N3	TBK105	0949.70	V94156	179010	JE189	1306333	NA5016
0831.03	TBK007	0831.N4	TBK274	0949.73	V94017	210906	NF640	1311285	HR5111
0831.05	TBK009	0831.N5	TBK274	0949.74	V94017	210915	NF640	1317772	HR646
0831.06	TBK010	0831.P1	TBK302	0949.76	V91971	210922	NF640	1321041	DF106
0831.09	TBK019	0831.P2	TBK302	0949.79	V94063	212370	PA349	1348683	AH5731
0831.11	TBK035	0831.P4	TBK302	0949.80	V94172	245243	LV864	1348686	AH5732
0831.13	TBK005	0907.24	TTP3	0949.81	V94217	245291	BG130	1348688	AH5733
0831.14	TBK007	0948.33	V34459	0949.87	V94168	245546	JN303	1352017	NA5030
0831.17	TBK010	0948.36	V90371	0949.89	V94204	245585	BG120	1366786	JA5040
0831.20	TBK019	0948.53	V91151	0949.90	V94566	247576	NF763	1366787	JA5039
0831.21	TBK013	0948.56	V91277	0949.91	V94174	530022	HR599	1367767	JM7094
0831.22	TBK035	0948.57	V91270	0949.92	V94176	549772	BF040	1372282	AH6390
0831.24	TBK004	0948.58	V91271	0949.96	V94179	551169	JN238	1372297	AH6400
0831.27	TBK020	0948.59	V91144	0949.99	V94201	563145	BL650	1372299	AH6410
0831.28	TBK004	0948.61	V91469	0949.A0	V91994	566274	BN320	1498320	HC5004
0831.30	TBK041	0948.63	V91144	0949.A2	V94489	593318	PA858	1576302	BF580
0831.31	TBK020	0948.65	V94155	0949.A3	V94491	593360	PA858	1576410	PA229
0831.34	TBK344	0948.66	V91972	0949.A4	V94493	596842	BM530	1576414	JN245
0831.35	TBK344	0948.68	V94169	0949.A5	V94199	607655	JN245	1576433	PA349
0831.36	TBK029	0948.72	V94062	0949.A7	V94495	614860	NA5230	1576449	JB842
0831.37	TBK029	0948.74	V94171	0949.A8	V94204	628188	NB628	1612203	BP890
0831.40	TBK106	0948.75	V94205	0949.A9	V94487	638181	NB628	1612205	BP900
0831.41	TBK106	0948.82	V94167	0949.B1	V94602	638186	NB628	1612206	BP900
0831.44	TBK030	0948.83	V94203	0949.C1	V94604	638187	NB628	1612236	NF387
0831.45	TBK030	0948.84	V94567	0949.C3	V94961	638199	NA5108	1640200	PA349
0831.46	TBK041	0948.85	V94173	0949.C4	V98082	638269	NF637	1641890	NF780
0831.47	TBK041	0948.91	V94202	0949.C8	V94970	646266	NF834	1646401	BP900
0831.48	TBK113	0948.92	V94175	0949.E1	V95084	646910	NA5223	1646402	BP890
0831.49	TBK113	0948.93	V94157	0949.E2	V95038	702219	BL650	1646403	HBS015
0831.50	TBK013	0948.94	V94154	0949.F6	V95036	710003	PA229	1646404	HBS015
0831.51	TBK013	0948.95	V94178	0949.F9	V95035	915386	BR510	1646404	HBS016
0831.52	TBK035	0948.99	V94200	0956.01	PA229	982724	KG5012	1646405	HBS015
0831.53	TBK035	0948.A1	V94488	0956.05	HR300	1096253	HR5082	1646405	HBS016
0831.56	TBK122	0948.A2	V91292	0956.18	HR569	1099778	JM5037	1663814	NB959
0831.57	TBK122	0948.A3	V94490	0956.19	HR599	1112953	HC5004	1669254	NA5177
0831.58	TBK105	0948.A4	V94492	0956.19	HR642	1117453	NA5030	1684287	NA5030
0831.59	TBK105	0948.A5	V94198	0956.19	HR646	1138392	HA5020	1904915	JC055
0831.60	TBK303	0948.A7	V94494	0956.22	HR569	1142359	NA5259	1905903	JP049
0831.61	TBK303	0948.A8	V94171	0956.22	HR805	1143554	PA349	1907799	DS381
0831.62	TBK106	0948.A9	V94599	0956.28	HR599	1145953	NA5258	1907801	DS381
0831.76	TBK308	0948.C0	V94486	0956.28	HR642	1146049	AH6560	1907802	DS381
0831.77	TBK308	0948.C2	V94601	0956.34	HR5080	1146050	AH6570	1908009	DE588
0831.78	TBK274	0948.C4	V94603	0956.42	HR5081	1146051	AH6580	1908010	FY291
0831.79	TBK274	0948.C7	V94960	0956.48	HR5046	1146052	AH6590	1970800	DF580
0831.80	TBK230	0948.C8	V98081	0956.53	HR5111	1146053	AH6600	1970900	DF580
0831.81	TBK230	0948.E2	V94969	1388.51	V35055	1148115	JD5829	1971000	GF583
0831.82	TBK106	0948.E5	V95083	1926.71	TB815	1152018	JD5998	1972500	GG050

OE	OE	OE	OE	OE	OE	OE	OE		
1972600	GG050	2495400	JN658	4403869	AE5220	5433873	BF500	6159539	BP900
1972800	GG052	2998600	JB837	4404240	HBS373	5434181	JE651	6159540	BP890
1972900	GG451	3002100	JN238	4408006	JM5086	5443478	BF600	6159541	BP900
1973100	DH890	3042600	JJ283	4409999	CD5991	5452930	JB869	6165498	NA5177
1973600	GJ720	3101036	JN248	4469751	HBS051	5463048	GF051	6165499	NB645
1973700	DJ720	3101048	JB851	4469752	HBS051	5469955	HR340	6165499	NB959
1974100	DL650	3102768	KJ647	4489200	JB836	5471655	BF510	6165500	NB645
1974900	GM310	3121867	KG5012	4502789	GX392	5478690	BF040	6165500	NB959
1975000	DG052	3130700	HC346	4506016	NF860	5487062	GF492	6173239	JD064
1975100	DM530	3210061	BE580	4506110	JD5892	5490453	BF510	6176006	BP910
1975400	DL650	3210112	BR070	4716458	NP067	5491223	JB833	6176471	NB959
1980200	GG210	3214136	BR070	4 726 483	VAG92445	5491225	JB864	6182957	NB856
1982900	DG210	3214139	BE580	4731124	BE580	5491733	BF600	6182959	NB855
1983000	DM710	3267244	NF634	4738019	JN462	5493122	BF600	6182960	NB854
1983100	GG210	3267783	HC354	4741822	BE580	5493998	BG450	6193087	JJ484
1983700	DM530	3277158	NF722	4 749 395	VAG92373	5494183	BG540	6193676	JD066
1984000	GF583	3277432	BT080	4 802 126	VAG92444	5500449	JN234	6201251	JM5027
1984500	GF583	3277433	BH690	4 813 760	V91399	5513004	BF600	6201251	JN821
1984600	GF583	3285200	NF692	4828150	HBS011	5513005	BF510	6306910	DF106
1984700	DF580	3287347	BH690	4830224	HR602	5513006	BG450	6518302	BT800
1985000	DM530	3287542	NH850	4834948	JF123	5514849	DT013	6525815	JD064
1985200	GG120	3287710	EL960	4837051	AB5100	5542219	BG540	6663814	NB645
1985300	GG050	3287961	BL960	4837141	JC055	5546438	GG541	6663814	NB959
1985400	DG050	3287962	BL980	4837311	FY291	5549420	JN251	6689713	ET800
1985600	DF580	3310742	BR510	4837347	DS381	5569124	GG541	6689714	ET800
1990300	GG780	3342088	BL910	4837349	DS381	5607819	AG9800	6751295	JD065
1990600	GG052	3343624	VAG96057B	4854648	HBS011	5607820	AG9810	6812072	BP890
1995800	GG210	3343793	JN732	4854648	HBS255	5607821	AG9820	6812073	BP900
1995900	DG210	3343862	BS010	4886400	BF170	5607822	AG9770	6812074	BP910
2030100	BG450	3343863	BS020	5003750	GF583	5607823	AG9780	6842272	NA5138
2030200	BG170	3343864	BS030	5003752	DF580	5607824	AG9790	6842273	NA5018
2030800	BH950	3344895	DX600	5010033	GG050	5607948	HBS502	6842274	NA5017
2034000	BF250	3383442	BL910	5010035	HC346	5607949	HBS502	6842347	HBS178
2090400	BM530	3490300	JB841	5010036	DG050	5888318	GR630	6851355	JD498
2090600	BL650	3490600	JB842	5010037	DH890	5888319	DR630	7300877	JC055
2091016	PA349	3490800	JB842	5012787	DF351	5890649	GR630	7301197	NF833
2091035	KJ647	3492300	JB875	5012818	DF351	5890650	DR630	7301481	JN462
2091200	BH950	3493200	JB954	5012819	DH681	5890739	DS381	7301683	JJ100
2092100	BL650	3493400	JC091	5012820	DM530	5891213	JD146	7302293	JN594
2092300	BM530	3494600	JB869	5012839	DM710	5891282	BE580	7302473	BR070
2092700	BF100	3494700	JC423	5012855	DG120	5891300	BR070	7 303 309	V91400
2092900	BF170	3494900	JC415	5012900	DH693	5891827	DE588	7500713	HR599
2093000	BG490	3495900	JC415	5012901	DH683	5891972	DE588	7500713	HR646
2094700	BN580	3501775	HR805	5012913	DF871	5892378	GR630	7553616	HR599
2095000	BP900	3517860	HR599	5012927	DM530	5892379	DR630	7553637	HR805
2095100	BP910	3517893	HR599	5012990	JN596	5892434	DE588	7554363	JJ453
2095300	BP720	3531016	BX651	5012998	JN251	5893816	JN426	7554851	JP049
2095500	BP890	3531207	NA5138	5013001	JN244	5894257	DR630	7560274	HBS522
2095800	BL650	3831400	BF100	5013002	JN248	5894379	DM533	7564332	BR630
2116910	NA784	3833300	BF170	5013007	JN238	5894789	DS381	7581344	HR599
2206154	NA784	4179085	JN805	5013012	JN232	5945253	JN426	7581344	HR646
2361400	NF841	4 250 803	VAG92366	5013031	JN292	5950597	HR5094	7582158	HR599
2452910	BG130	4265701	HR599	5013062	JN462	5950662	AG9770	7604404	BR630
2455855	BG120	4279413	NF833	5016758	BF580	5950670	AG9780	7 609 772	V91300
2475762	NF761	4279436	JC054	5016759	BP890	5950688	AG9790	7613726	HR5064
2491400	JN244	4279438	JC055	5016760	BP900	5950696	AG9800	7 617 500	V91306
2491900	JN245	4309031	JD146	5016761	BP890	5950704	AG9810	7650355	HR599
2492500	JN245	4 315 062	V91713	5016762	BP900	5950712	AG9820	7663366	JJ453
2492700	JN596	4357028	HR599	5023478	DG050	06 005 392	V91145	7667675	BR630
2493900	JN596	4 403 047	V91762	5142000	NF634	6066331	NB645	7678282	JF150
2494300	JN292	4403519	NF860	5142900	NF692	6078809	NB645	7709658	JP049
2494500	JN426	4403536	CE5210	5403212	HR340	6093964	HBS008	7710013	JN805
2494600	JN544	4403864	EE5220	5412007	HR340	6134416	JN594	7724059	BR630
2494800	JN547	4403866	EE5220	5414228	JB868	6155579	NA5177	7738383	JN805
2495300	JN238	4403867	AE5210	5414415	BF040	6159538	BP890	7772495	JD146

OE INTERCHANGE

OE-Vergleichsliste • Intercambio con OE
Références croisées 1ère Monte

OE	OE	OE	OE	OE	OE	OE	OE		
7784728	JN805	18801000	NF692	40100314	NF833	91505110	BL650	95569120	GG452
7797034	JP049	22472090	PA349	40100320	NP067	91505500	JC415	95569123	DG542
7805931	AD5130	22478009	PA217	40100321	NP067	91505787	BL650	95569124	GG541
8096541	AY690	0024472539	NF786	40100330	NP068	91506974	BM530	95586979	DN582
8096682	JC055	026109675	HR569	40100331	NP068	91508054	JN547	95590822	GL650
8096748	BR070	026109675	HR805	40100340	NP068	91509974	BM530	95590823	DL650
8096764	BE580	26126729	NF809	42531636	NP068	91511857	HBS083	95590823	DN590
8096780	AY300	26126779	NF810	46414567	AY460	91 512 096	V91280	95591804	JC415
8096910	BX410	027109675	HR599	46414567	BR630	91 512 961	TB226	95593775	GL830
8096911	AY590	30735081	AD5130	46430687	HBS051	91 513 446	V91279	95602513	DJ720
8096930	DX391	30735082	AD5140	46430688	HBS051	91515138	NF817	95602514	GJ720
8097075	BX420	30735083	AD5150	46436047	HR599	91517355	JN596	95603252	DN590
8097206	DW040	30735084	AD5160	46470334	HR814	91 517 722	TB226	95605041	BH930
8097421	CY680	30735085	AD5170	46539824	LK5001	91520521	BM530	95605462	DG452
8528623	JB851	30874307	NF678	55116500	JB837	91 535 017	V91277	95605462	GG452
9000269	GF051	31010366	JN600	55116900	JN238	91 535 019	V91275	95605463	GG452
9059169	HR363	31010481	JB851	55180937	NA5230	91538218	JD5764	95614597	GL650
9059169	HR569	32134611	BH690	60507653	JF123	91538297	BM530	95619476	DT012
9059172	HR662	32672446	NF634	60805718	NA5053	91538611	BL650	95619477	DS810
9063193	HR791	32677832	HC354	60809849	NA5053	91538612	BR510	95619477	DT012
9065438	HR817	32705139	DH693	68422724	NA5138	91538925	NF678	95619749	GL830
9111869	AE5220	32771583	NF722	68422732	NA5016	91538926	NF817	95625019	DF180
9162593	GX392	32774325	BT080	68422740	NA5017	91539050	JD5763	95634287	BH930
9166497	JD5280	32844375	JB997	71713695	DX391	91539812	BL650	95636678	BL830
9201588	JD5892	32873473	BH690	71713696	GX410	91 540 748	V91469	95638362	JF067
9281324	NB628	32875429	NF850	71713987	CY680	91 540 782	V91470	95 638 449	V91313
9443310	NA5136	32875551	BS020	71715448	AY460	91 540 782	V94206	95 638 450	V91314
9458178	NA5017	32877102	EL960	71718011	GX392	93010242	JJ283	95 639 605	TB419
9561800	HR569	32879611	BS010	71718012	DX392	93 010 362	TB175	95644580	DJ720
9942588	JP069	32879629	BS030	71718738	LK5001	93 010 364	TB175	95644580	GJ720
9944352	DS381	32978850	JB851	71728337	GX410	93010402	JC423	95644581	DJ720
11011030	DR630	33420621	DL910	71728339	GX392	93 013 132	TB319	95647731	DS731
11075800	DX722	33420886	BL910	75452930	JB869	93160143	CD5991	95650948	DS820
11612777	HR397	33424029	JD409	75491221	JB868	93177284	NA5230	95650949	DS820
12014726	NP068	33434309	BL960	75491223	JB833	93177701	NA5223	95654054	DV150
12015120	NP068	33434317	BL970	75491225	JB864	93501128	NF841	95655248	DV150
12180279	NF634	33434325	BL980	75491352	JB830	93 501 279	V91143	95655249	DV150
12694402	JN303	33437930	JN732	75491733	BF600	93501444	JN544	96000436	JE189
12698106	JN303	33438611	BS020	75491734	BF510	93502226	JJ283	96 003 672	V91144
12714838	JN302	33438623	BS010	75491735	BG450	93 510 091	TB175	96003915	HBS082
12714978	AG5270	33438631	BL970	75501082	JB864	93 510 415	V91144	96 005 391	V91144
0012853400	HC341	33438631	BS020	75505394	JB830	93 510 773	V91145	96005977	HBS038
0012857000	NF694	33438649	BS030	75513004	BF600	93 510 774	V91145	96 007 817	V94169
13063334	NA5016	33442617	HR569	75513005	BF510	94 560 702	TB304	96 008 334	V94169
0013166700	BF100	33443037	BL910	75513006	BG450	95100257	HR599	96008902	BL650
13177720	HR599	33443136	JD409	75513624	DG452	95493120	BG450	96010048	JC759
13177720	HR646	33448952	DX600	75516398	JN232	95493121	BG540	96014480	NF817
0013195100	NF692	34659680	JD409	75518008	GF492	95493122	BF600	96016489	BG450
0013236800	JB836	34666172	JD419	75530731	JN426	95493246	BF510	96020124	HR599
13238800	BF170	34676056	BX600	81034900	HBS502	95493998	BG450	96026579	JN758
0013627500	BL610	35017755	HR805	82293355	HR599	95494022	BH930	96026976	BR780
0014875400	BF170	35178607	HR646	84142413	NF843	95494183	BG540	96026977	BR790
16744200	NF694	35310176	BY361	90 013 344	TB320	95494600	JE651	96028464	JC415
0016877200	BF170	39403920	NB866	90027135	NB628	95495497	BL830	96 029 000	TB304
17065804	HR599	39621840	HR805	90067926	NB628	95496879	NF809	96033224	HBS115
17067073	HR599	40000040	NA784	90096047	NB628	95 536 523	V91263	96 033 798	TB259
17100900	JE647	40003634	NP067	90180504	NF834	95 536 524	V90371	96034899	JD230
17103200	JE145	40003670	NF833	90298195	NB628	95539522	GF053	96035354	JC750
17104500	JE189	40003850	NF833	90487889	NF637	95542218	BG450	96041703	BS730
0017507000	BG490	40003854	NF833	90571925	NA5108	95542219	BG540	96042653	JJ283
17596900	BG490	40004400	NA5053	90591714	HR646	95543282	GH930	96046987	JD529
0017596900	BG480	40004750	NA5177	91503348	BH950	95552708	GF054	96 049 648	TB320
0017751800	BF100	40100310	NF833	91503884	BF290	95567410	DG452	96 058 570	TB419
0017796791	BF170	40100311	NF833	91503885	BH950	95567411	GG452	96 059 361	V91972
0017796891	BF100	40100313	NF833	91505109	BL650	95569119	DG452	96 059 362	V91970

OE		OE		OE		OE		OE	
9605994	HBS087	96 375 140	TB678	99461498	AY580	980680100	DF351	7700101348	NA5053
96061328	BV150	97002474	HBS039	99461499	AY590	0990664400	DH681	7700 101 409	TB437
96061330	BV160	97229307	HBS502	99462206	JJ549	0996131500	DF351	7700 101 840	TB545
96062536	BS810	97229308	HBS502	99462588	JP069	996131600	GF356	7700 102 047	TB482
96065269	NF817	97253293	AG9800	99468744	NF883	1111540060	AG9310	7700 103 243	TB644
96 072 342	TB459	97253294	AG9810	99476962	DW040	1609970146	NA5118	7700103245	NA5036
96073848	HBS084	97253295	AG9820	99477116	GX410	1609970246	NA5118	7700103687	JH5108
96075122	BL650	97253296	AG9770	99477119	DX391	2337430129	JM7094	7700103938	PA5013
96 079 213	V94170	97253297	AG9780	99477120	DX390	3002696810	BL970	7700 104 596	TB545
96 088 735	TB376	97256298	AG9790	99487487	GX410	5000 293 612	TB701	7700104839	HR599
96093134	BS820	97506647	HR805	99488483	JJ519	5000296030	DS381	7700105392	AC5070
96 095 457	V94062	97510801	NF870	113028540	HR805	5000296032	DW040	7700105393	AC5090
96 096 146	V94063	97510802	NF817	401493730	HC375	5000337349	HR397	7700105843	JD5910
96 096 851	V94155	97511321	JB837	0428449300	BH680	5000 814 593	TB135	7700105852	JD5393
96 096 852	V94156	97520610	BS810	0482401005	HR805	5000815434	NP068	7700106172	JN997
96 097 062	TB259	97 522 929	TB259	500306170	AY680	5000815452	BR070	7700 106 241	TB482
96 100 168	TB419	97 522 930	TB304	500306171	AY690	5000824311	FY291	7700 106 243	TB644
96 100 984	TB459	97523053	JN658	500306172	AY700	5001000816	NP067	7700106783	AY720
96 101 064	TB453	97530738	JC702	500314225	NF883	5001001151	NF833	7700107181	JD5394
96 101 886	V94155	97 531 044	V91273	500315684	NF885	5001001215	HBS011	7700 107 261	TB546
96 101 887	V94156	97 531 046	V91272	500316112	JJ613	5001001216	HBS011	7700 107 305	TB546
96105057	JC991	97 531 079	V91270	500317403	JN956	5001001231	BE580	7700107818	BS530
96 109 183	V94170	97 531 080	V91271	500327440	JH5178	5001001234	JN462	7700108023	AY710
96129692	BS810	97531278	HR599	500354411	CY680	5001 001 267	TB135	7700108024	AY730
96132009	BS730	97531278	HR642	500366181	DX400	5001001283	JC054	7700108167	AD5030
96133146	BL650	97531278	HR646	500366528	DX391	5001 001 581	VAG92369	7700108170	AD5050
96133360	BS820	97531974	BN580	500369483	CY680	5001823706	BR070	7700108254	AD5990
96136745	HBS125	97531988	HR646	500391047	AY700	5001824582	DW040	7700 108 412	TB636
96 137 360	V91145	97 532 676	TB304	504017372	JJ613	5001829815	AY580	7700108845	JD5892
96 140 147	TB304	97532964	KG5012	504031409	NF885	5001829815	AY590	7700 109 151	VAG96292B
96 141 369	TB419	97 533 264	V91273	504034832	NF885	5001829882	JN594	7700109421	JD5893
96 142 525	TB175	97 533 266	V91271	504059361	NF883	5001836510	GX410	7700 109 601	TB653
96 142 597	TB175	97599116	PA850	0555348700	BF350	5001836511	DX391	7700 109 632	TB653
96 147 032	V91970	98410475	AB5100	0555497400	JN248	5001836513	DX390	7700109906	JD5908
96 150 144	V94172	98410476	AY590	555565700	JN251	5001 836 605	TB368	7700 110 203	TB710
96 150 145	V94171	98414010	JJ549	0580656900	HC375	5001 836 608	TB558	7700 110 386	V94190
96160677	BV140	98424150	JN969	0605041100	HR805	5001 847 819	TB701	7700 110 387	V94190
96 172 597	V94229	98428409	NP068	0605075570	HR646	05555655700	JN251	7700 110 388	V94191
96 172 795	V94217	98434020	JC055	612840500	BX560	6000057304	JN369	7700 110 389	V94191
96177786	JB830	98440984	DW040	701349529	HR300	6000057315	JN369	7700 111 761	TB546
96177787	JB864	98445099	AB5100	702246877	JN600	6001000550	JN369	7700 111 983	TB545
96 180 328	V94567	98448171	DW040	702672445	NF634	6001040367	BX620	7700 111 984	TB735
96181823	BS730	98448817	AB5110	702673237	BH680	6040500058	HR791	7700112365	JD5889
96 182 679	TB727	98451055	NP067	702677832	HC354	6060500058	HR5062	7700 112 528	TB796
96 183 535	V94155	98454045	NP067	703328000	KJ647	6561911213	KJ647	7700112675	AG5420
96 188 278	TB226	98461673	NF885	0706305500	HBS104	7058058000	HC346	7700112739	AC5100
96190676	BY310	98471766	BR070	0710 941 000	VAG50758	7438 610 007	V94315	7700 113 061	TB482
96 197 629	TB700	98472291	JN596	7 533 884 80	V95035	7438 610 008	V94044	7700113234	BX630
96 197 874	TB479	98472291	JN956	7 533 885 80	V95036	7438 610 008	V94314	7700113265	AC5061
96 200 344	TB479	98480250	BE580	770010744	HBS241	7438610009	DX652	7700 113 373	TB796
96 203 976	V94168	98492150	DS381	770083008	HBS120	7438610010	EA5620	7700 113 558	TB636
96 219 217	V94173	98492150	DW040	770658325	HR643	7438 610 034	V94615	7700 113 559	TB644
96 219 218	V94174	98492581	AY300	770733041	BN360	7438 610 036	V94614	7700 114 127	TB735
96 223 131	TB631	98493846	DW040	770738986	HBS102	7439 135 733	TB434	7700 114 128	TB292
96 239 499	TB700	99425767	JC054	771461245	EF380	7439 180 954	TB434	7700114234	JD5886
96 246 139	V94167	99430005	BX390	0855483900	BH680	7439 440 383	TB643	7700114745	HBS372
96 252 153	TB631	99432353	BX400	855622900	HC375	7545293080	JB869	7700 114 862	VAG96293
96 254 645	V94204	99432354	BX390	0856622900	HC375	7553073180	JN426	7700115822	AC5061
96 254 648	V94203	99442951	HBS255	0857720800	JB855	007603016303	PA349	7700 116 047	TB654
96 261 574	TB632	99447458	NF883	953080413	NF634	7700034967	JC054	7700 116 058	TB654
96 267 448	V94566	99453418	NF883	09 560 033 80	TB227	7700 100 119	TB489	7700266044	KG5012
96 289 433	V94175	99453418	NF885	980644600	GF356	7700 100 460	TB437	7700267279	AG5270
96 290 822	TB632	99 456 476	TB368	0980646000	DF351	7700 100 531	TB644	7700 273 279	TB529
96 298 611	V94176	99458402	BX420	0980656900	HC375	7700 100 670	TB546	7700 273 280	TB529
96 350 076	TB683	99460983	BX410	980680000	GF356	7700 101 248	TB636	7700 273 371	V91835

OE INTERCHANGE

OE-Vergleichsliste • Intercambio con OE
Références croisées 1ère Monte

OE		OE		OE		OE		OE	
7700 273 611	TB529	7700713860	BL910	7700748648	JC955	7700864736	BX630	7701040547	JJ558
7700 273 650	TB529	7700716521	BL970	7700 749 225	TB292	7700 865 550	V94436	7701041926	NF883
7700273827	JD5316	7700716923	NA5016	7700749395	NA5053	7700 865 551	V94440	7701042340	NP067
7700274003	JN789	7700 717 284	TB191	7700 836 095	TB482	7700865764	JD434	7701043299	NP068
7700316230	JN248	7700 717 284	TB421	7700850292	JN996	7700 865 832	V94442	7701 043 483	TB368
7700465265	DH683	7700718521	JN292	7700851083	BL910	7700866465	JJ565	7701044092	NF883
7700471213	JN997	7700 718 725	TB191	7700852506	BX570	7700866683	BY030	7701044093	NF885
7700509071	JB851	7700 718 725	TB421	7700853324	HBS011	7700866689	JD420	7701 044 188	TB558
7700501503	JB851	7700 718 726	TB194	7700853324	HBS177	7700866876	NF844	7701044224	BX390
7700502159	JB850	7700 718 752	TB195	7700853373	NF844	7700866877	NF843	7701044225	BX400
7700512723	BF350	7700 718 836	TB194	7700853496	JD245	7700867360	JD418	7701044226	BX410
7700514879	BF350	7700719274	NF843	7700 853 660	TB422	7700867870	BS530	7701049734	JM5131
7700516349	JB850	7700719666	JN732	7700853753	JD416	7700867871	BS020	7701049888	JM5185
7700517057	NF634	7700719683	NF843	7700853818	BX560	7700868132	JN997	7701 050 368	TB750
7700518676	BH680	7700720788	BG170	7700853859	JN937	7700 872 023	TB735	7701052719	AG9770
7700519829	BH680	7700723967	JN600	7700 853 862	TB156	7700872030	BX720	7701052720	AG9780
7700522314	NF678	7700724333	BF350	7700 853 862	TB423	7700872383	BY080	7701052721	AG9790
7700522372	JB850	7700 725 577	TB256	7700853879	JN994	7700872534	NF856	7701052722	AG9800
7700538234	JB850	7700 729 580	TB191	7700854041	JC955	7700 872 579	TB735	7701052723	AG9810
7700540568	JB851	7700 729 580	TB421	7700 854 163	TB421	7700872848	HBS119	7701052724	AG9820
7700567327	BH690	7700 729 581	TB194	7700854252	JD463	7700872849	HBS119	7701 052 725	VAG96295
7700611182	BF350	7700732419	BL910	7700854492	JC238	7700872850	HBS119	7701052863	JD5896
7700613230	JN248	7700 732 525	TB420	7700854493	JB954	7700872860	AD5190	7701052864	JE5064
7700614729	JN292	7700733041	BN360	7700854507	BG900	7700874223	EA140	7701059314	JM7053
7700616154	BH680	7700733464	HR300	7700854539	JD419	7700874592	JD5189	7701061753	JD5897
7700 618 657	TB114	7700734646	BH680	7700854640	JN789	7700 875 412	TB489	7701 063 978	TB735
7700619237	NF687	7700735948	JJ559	7700854641	JC955	7700 875 439	TB545	7701 063 979	TB292
7700622018	BH680	7700736277	JD411	7700854652	JB997	7700 875 520	TB258	7701 063 980	TB546
7700622122	BH950	7700736465	HR599	7700854710	BG170	7700875717	AD5040	7701 063 999	TB644
7700622286	JB954	7700736465	HR646	7700854867	JD409	7701020094	JN369	7701 064 005	TB796
7700635407	JC386	7700736567	JD410	7700855382	JN697	7701024762	BH090	7701 064 010	TB704
7700638093	NF634	7700 736 969	TB257	7700855384	HBS244	7701024924	BH080	7701 064 316	TB652
7700638094	NF634	7700737124	HR569	7700855663	JD231	7701026263	BE580	7701 064 326	TB654
7700638592	BG170	7700737124	HR805	7700855717	BV190	7701028289	BH080	7701065098	HBS524
7700640439	BG170	7700738282	BX610	7700855962	JC669	7701028290	BH090	7701108679	NA5257
7700640441	JN248	7700738987	HBS102	7700856350	HBS302	7701029773	BM790	7701203209	FY291
7700641718	JB997	7700739165	JN789	7700 856 351	TB422	7701030298	BL960	7701203212	DS381
7700642547	BH690	7700739302	BX730	7700857118	NF861	7701030299	BL980	7701 203 675	V91293
7700648719	HBS116	7700739392	JJ407	7700857119	NF858	7701 030 863	V91939	7701 203 675	V91294
7700650089	BF730	7700739970	BS020	7700857225	JJ568	7701031953	JN594	7701204563	DE588
7700656001	BH950	7700740075	JC956	7700 857 325	TB431	7701033527	BH080	7701204926	DE588
7700658325	HR599	7700741169	NF851	7700858334	BY070	7701033528	BH090	7701204945	JD421
7700658325	HR643	7700741186	BL970	7700 858 344	TB431	7701034967	JC054	7701348002	BH680
7700660406	BH930	7700741490	JD413	7700858384	JD410	7701035019	NF833	7701348031	BF350
7700661444	NF641	7700741501	JC955	7700858385	JD411	7701035217	BH080	7701348088	BF350
7700 663 550	TB114	7700 741 506	TB256	7700858386	BX610	7701035218	BH090	7701348097	BH680
7700665229	JN697	7700741998	BG900	7700858735	JD435	7701 035 242	TB368	7701348118	BH690
7700 665 593	TB126	7700743161	NF634	7700858736	JD436	7701 035 653	TB448	7701348119	BT080
7700 666 593	TB126	7700743369	BS530	7700858850	JP006	7701035770	JN969	7701348227	JB851
7700668130	JC386	7700 743 529	VAG96163B	7700858879	BX580	7701036311	JN936	7701348574	JN248
7700668576	NF687	7700 743 777	TB156	7700859059	AC5080	7701036381	BL970	7701348717	JB997
7700671430	JC386	7700743903	JN732	7700 859 086	VAG96294B	7701036382	BL960	7701 348 801	TB114
7700671577	BG900	7700743953	JN697	7700859200	BX600	7701036383	BL980	7701348923	JD245
7700671626	BH950	7700744797	NB866	7700859266	NF860	7701036387	BF350	7701348943	NF641
7700680688	BH680	7700744798	JD414	7700859273	BX600	7701038393	AY300	7701349138	NF687
7700680689	BH690	7700745109	JN995	7700 859 517	V94562	7701038871	BE580	7701349276	JC669
7700683866	JB851	7700745716	BL960	7700859691	NF834	7701038965	BM790	7701349330	BH680
7700 690 577	V94320	7700745717	BL980	7700859692	NF835	7701039145	BF730	7701349331	BH690
7700695943	JJ558	7700745722	BS010	7700859751	JJ557	7701039396	BS010	7701349561	JN292
7700 696 055	TB189	7700745723	BS030	7700859803	BV190	7701039397	BS030	7701349687	BH690
7700696483	BH690	7700745724	BS520	7700859886	JD435	7701039398	BS520	7701404452	HR397
7700696484	BH680	7700745725	BS540	7700 860 795	TB437	7701039399	BS540	7701418097	BH680
7700706149	JC669	7700746591	JC956	7700860898	JJ562	7701040001	AY300	7701427228	CC5060
7700 711 047	TB189	7700747291	NA5053	7700 863 011	TB489	7701040198	AG5270	7701450640	DF351
7700711666	BG900	7700 747 324	V91402	7700 863 095	TB482	7701040490	AB5100	7701451783	DF351

OE		OE		OE		OE		OE	
7701452041	BH530	7701 465 107	V91895	7701468709	DX722	7701473003	CD5981	7703087191	NF847
7701457561	HC354	7701 465 172	V91848	7701468710	DY030	7701 473 004	V94706	7703087192	NF846
7701457752	GT080	7701 465 173	V94066	7701 468 960	V94573	7701473007	JD5885	7703087224	NA5037
7701 458 180	V35117	7701465194	DX610	7701 468 961	V94574	7701 473 120	TBK273	7704001715	JN251
7701458309	GF356	7701465195	DL961	7701 469 266	V94180	7701473135	CE5110	7708720755	BH690
7701458310	DF351	7701465261	EH680	7701 469 269	V94181	7701473137	EE5110	7812103000	HR300
7701458311	GF356	7701465261	EH682	7701469326	DX630	7701473178	HBS299	7812103200	HR300
7701458346	GF356	7701465262	DH693	7701 469 369	V94077	7701 473 183	V94609	7812103200	HR363
7701458347	DF351	7701465265	DH683	7701 469 369	V94338	7701 473 184	V94608	7812103800	HR300
7701458796	DF871	7701465268	DN360	7701 469 373	V94339	7701473218	EG9780	7832119200	NF640
7701459392	GH681	7701465270	DF871	7701469762	CD5190	7701 473 312	TBK275	7900000670	GG120
7701459392	GH683	7701465270	DF873	7701 469 774	TBK036	7701 473 355	V94499	7900000673	DG120
7701460132	DG170	7701465273	EF870	7701 469 821	TBK090	7701473371	CE5200	7900000712	GG120
7701 460 143	V91263	7701465274	GF356	7701 469 833	TBK002	7701473495	NA5261	7900000714	DG120
7701 460 147	V90371	7701 465 497	V94552	7701470176	EC5060	7701473503	EG7950	7903062003	PA349
7701 460 148	V91263	7701465503	DX590	7701470176	EC5063	7701473543	HBS283	7903065016	PA858
7701460151	DG170	7701465765	DH080	7701470855	CG9740	7701473544	NA5118	7903087078	NF492
7701460365	GF356	7701466407	DL961	7701470856	CG9720	7701473545	NA5255	7903087086	NF812
7701460366	GF356	7701466408	EL960	7701470977	EG9710	7701473571	HBS373	7905108000	NF857
7701460626	GH690	7701466416	EH694	7701 471 170	V94188	7701473577	CE5210	7910000185	BF250
7701460626	GH691	7701466416	EV190	7701471278	CD5991	7701 473 672	TBK323	7910004826	NF641
7701460627	GF874	7701466417	DH692	7701 471 354	V94499	7701 473 837	TBK323	7910006487	NF678
7701460628	DH690	7701466417	DH693	7701471360	ED5991	7701474059	CG9770	7910008466	JN596
7701 460 690	V90361	7701466446	DX610	7701471366	HBS310	7701474060	EG9770	7910008483	NF641
7701 460 690	V91834	7701 466 606	V94038	7701471372	NA5257	7701474194	HBS502	7910009720	JB841
7701461203	DH957	7701 466 607	V94039	7701471373	HBS301	7701 474 286	V94607	7910009723	JN244
7701 461 214	V91261	7701 466 716	V94068	7701471376	NA5215	7701 474 287	V94606	7910011371	JN596
7701461245	EF380	7701 466 717	V94069	7701 471 378	V94498	7701474372	CC5110	7910018525	BM530
7701461333	DH080	7701466818	DH080	7701 471 379	V94499	7701 474 443	TBK322	7910019491	NF640
7701461333	GH080	7701466819	DX570	7701 471 382	TBK267	7701475009	NA5255	7910033356	JE145
7701461334	GH080	7701466820	DX560	7701 471 702	V94190	7701475278	CE5210	7910 245 071	VAG92337
7701 461 338	V91264	7701467058	DX600	7701 471 703	V94191	7701475375	CE5111	7910245243	LV864
7701 461 339	V91265	7701467144	EG176	7701 471 704	V94338	7701475822	CD5980	7910245291	BG130
7701461359	EG150	7701467154	DV190	7701 471 711	V94616	7701 476 024	V94190	7910245546	JN303
7701461640	BH530	7701467154	DX651	7701 471 712	V94189	7701 476 025	V94191	7910245585	BG120
7701461765	DH080	7701467230	DX610	7701 471 713	V94573	7701476555	HM5291	7910246393	BG120
7701461930	NP068	7701 467 249	V91940	7701 471 714	V94574	7701 476 572	V94609	7910246394	BG130
7701461931	NF833	7701 467 249	V94481	7701 471 769	TBK045	7701 476 573	V94608	7910248324	HBS127
7701 462 137	V91317	7701467609	DG170	7701 471 770	TBK037	7701 476 595	V95002	7932567498	JB842
7701462215	DH683	7701467609	DG173	7701 471 771	TBK037	7701 476 596	V95001	8200028727	AE5210
7701462216	DH693	7701467610	DH080	7701 471 773	TBK039	7701 476 745	TBK315	8200030251	JE5060
7701 462 232	V94553	7701467610	GH080	7701 471 774	TBK102	7701 477 012	TBK273	8200 034 222	TB704
7701462357	EF731	7701467611	DX580	7701471777	CG5420	7701 477 013	TBK092	8200034315	BX630
7701462358	DF731	7701467612	EG176	7701471779	HBS431	7701 477 014	TBK267	8200 035 834	TB712
7701 462 385	V94320	7701467618	DX620	7701 471 864	TBK098	7701 477 024	TBK096	8200 036 780	TB654
7701 462 486	VAG92330B	7701467896	DN360	7701471886	CC5100	7701 477 048	TBK275	8200 039 519	TB713
7701 462 679	V90404	7701467918	DH683	7701471932	JD5315	7701 477 049	TBK323	8200045668	JE5061
7701 462 813	V91269	7701467946	DF731	7701 471 974	TBK267	7701 477 050	TBK322	8200 046 148	TB652
7701 462 814	V91267	7701 468 035	V94067	7701 472 124	V94498	7701477450	CG9760	8200057611	AE5220
7701 462 814	V94187	7701468142	DX720	7701 472 125	V94501	7701477452	EG9760	8200060882	JM5086
7701462816	DL961	7701468155	DY070	7701 472 185	TBK275	7701477813	CE5210	8200062273	AD5980
7701462817	EL960	7701 468 163	TBK047	7701472249	DX630	7701478183	CG9760	8200066662	JD5393
7701 463 081	V91268	7701 468 165	TBK281	7701472449	JD5891	7703032062	PA349	8200067710	JD5911
7701 463 082	V91319	7701 468 166	TBK282	7701472450	HMS290	770303075	HBS104	8200071111	AE5200
7701463203	EH680	7701 468 167	TBK017	7701 472 644	TBK092	7703062003	PA349	8200073003	KK5643
7701463203	EH682	7701 468 168	TBK038	7701 472 645	TBK323	7703062062	PA349	8200 087 378	TB756
7701 463 603	V91292	7701 468 169	V94337	7701 472 669	V94513	7703062063	PA349	8200 088 894	TB644
7701 463 603	V91939	7701 468 170	V94319	7701 472 670	V94514	7703065212	PA858	8200 098 343	TB644
7701463925	DN360	7701468189	DY040	7701 472 675	TBK092	7703087035	NF634	8200 106 085	TB712
7701464133	EG176	7701 468 190	V94338	7701 472 725	TBK096	7703087075	NF678	8200117388	JM7054
7701464134	DG170	7701468385	EY070	7701 472 726	TBK002	7703087079	NF685	8200121998	AE5220
7701464134	DG173	7701 468 419	V94442	7701472821	CE5210	7703087080	NF634	8200 127 627	TB710
7701464788	DX590	7701468506	DX590	7701472955	DX630	7703087097	NF722	8200128551	JD5402
7701 465 088	V91835	7701468669	DY070	7701 472 986	V94705	7703087104	NF535	8200 142 350	TB636
7701 465 090	V91836	7701468709	DX721	7701 473 001	TBK315	7703087190	NF850	8200149425	JE5062

OE INTERCHANGE

OE-Vergleichsliste • Intercambio con OE
Références croisées 1ère Monte

OE	OE	OE	OE	OE	OE	OE	OE		
8200 181 178	TB546	9400197369	GJ720	9623068180	BX890	9643597180	AD5140	11349065438	HR817
8200188390	AD5030	9400197379	DJ720	9623068280	BX900	9643597380	AD5160	11617528173	JD6034
8200 208 422	TB636	9400197849	DM533	9623068380	BX910	9643597480	AD5170	11627806008	JD5829
8200215051	AE5210	9400209239	BM530	9623068480	BX920	96 450 247 80	V94960	21011007026	HR363
8200 221 695	TB652	9400348969	JD529	9624116780	HBS089	96 457 174 80	TB724	21081007026	HR805
8200 241 629	TB713	9400807289	NA5035	9624851880	AA5830	96 457 175 80	TB724	77013348717	JB997
8200 248 497	TB756	9400956480	HR5081	9624851980	AA5840	9645863080	NA5191	90750670661	KJ647
8200 251 983	TB756	9400956489	HR5046	9624852080	AA5850	9645863280	NA5192	92810460100	HR599
8200264952	AE5110	9456000224	BP720	9624852180	AA5860	96 468 644 80	TB813	99310411101	HR805
8200275057	JD5940	9456001368	BP720	9624852280	AA5870	96 473 674 80	TB744	116760179903	JF123
8200296969	AH5170	9456001370	BP720	96 261 574 80	TB632	96 476 100 80	TB683	119000117600	NF637
8200310867	JD5884	9456001443	BR490	96 271 843 80	V94490	9651363780	AH6580	441054151716	HR599
8200313217	JD5892	9456002680	BR510	9628139180	BX980	9651363880	AH6560	915035000028	PA349
8200342238	AH6780	94560033280	BM530	96 290 822 80	TB632	9651363980	AH6570	000301970000032449	HC341
8200 343 407	V94705	94560033480	BR490	9630117480	AH5040	9651364080	AH6590	0551110000012853300	HC341
8200 343 412	V94706	94560043880	JC423	9630117580	AH5060	9651364180	AH6600	0009660V001000000	NA5118
8200 344 791	TB713	94560043980	JD5972	9630142380	JM5087	9651513280	AH5040	0197A7+020989	DS810
8200351353	AG9490	9456062380	BN580	96 304 254 80	TB525	9652803180	AD5700	0197Y1 + 0204A5 +	
8200360571	AE5200	9456062480	BP720	96 304 258 80	TB525	9659197480	AH6390	0204A4 + 0209QG	CD5310
8200363223	JD5895	9463330180	JM7121	96 312 030 80	TB711	96 600 359 80	V98028	020012306A	HR599
8200364849	JD5937	9463330280	JM7121	9631366780	AD5490	9660534980	AH6400	0204A4 + 0209QG +	
8200365915	JD5394	94633377480	JM5139	9631366980	AD5500	9660535080	AH6410	0197Y1 + 0204A5	CD5310
8200365915	JD5894	94633377580	JM5283	9631367180	AD5510	96 606 400 80	V98029	0204A5 + 0204A4 +	
8200 366 318	TB713	9463380380	JM5141	9631367380	AD5520	9667223980	EL890	0209QG + 0197Y1	CD5310
8200379654	JH5109	94 640 343 80	TB720	9631424480	JD5881	96 767 181 80	V95083	0209QG + 0197Y1 +	
8200399103	AG9760	9558649980	BH990	96 329 593 80	TB727	9750664780	HR805	0204A5 + 0204A4	CD5310
8200403823	JD5890	9559076180	NF776	96 337 133 80	TB699	9751080000	NF857	021105247A	NA5272
8200406740	AE5210	9559180480	JC415	96 339 230 80	TB479	9751080080	NF857	021105247B	NA5272
8200406743	AE5220	95 640 405 80	TB245	96 339 231 80	TB479	9753127800	HR599	023280P	JM5088
8200428141	AE5220	9566937980	DS820	96 341 061 80	TB722	9753127880	HR646	023717P	JH5041
8200459643	JD5912	9566938080	CY082	96 344 375 80	V94491	9753197480	BN580	0249A	JM7121
8200 461 911	TB710	9567223980	EL890	96 347 401 80	TB722	9753198880	HR646	025001P	JD5189
8200490282	JD5888	9567223980	GJ720	96 350 076 80	TB683	9790015700	DF106	02JDE3880	JM7094
8200490285	JD5887	9567224080	JC991	96 350 077 80	TB683	9790018200	DM530	0342E0F520	JD538
8200 508 612	TB713	9567526480	DV190	96 353 179 80	V94438	9790018300	DM530	037103483AC	JN969
8200 537 021	TB529	9569136880	JD539	96 354 383 80	TB702	11120427689	CH6440	049103051C	NF857
8200 537 023	TB636	9569752780	CC5010	96 354 384 80	TB702	11121262571	HR397	059103085A	NF637
8200 537 026	TB636	9582001100	JN936	9635967180	AC5011	11127560271	AH6440	059103085B	NF637
8200 537 033	TB713	9600897480	BR510	9635967380	AC5031	11127560274	HBS522	059103085E	NF637
8200 542 737	TB644	9601004880	JC759	9635967480	AC5040	11127570859	AH6440	1104299B25	DY900
8200 542 739	TB652	96 011 363 80	V91144	9635967580	AC5051	11127570859	CH6440	11044000AD	AE5210
8200 542 740	TB653	9602697680	BR780	9636017380	AD5300	11127572851	HM5371	1104441B00	BY900
8200 542 741	TB546	9602697780	BR790	9636179280	AH5050	11127595139	AH6440	110448J107	AE5910
8200 542 743	TB756	9605348380	NF867	9636180080	AH5070	11127805927	JM7034	1104499B00	BY900
8200 542 746	TB654	9608064880	JP045	96 371 229 80	TB720	11127805931	AD5130	1104499B05	BY900
8200 545 581	TB482	9610505780	JC759	96 371 235 80	TB720	11127805932	AD5140	110449N01A	AH6770
8200589692	JD6038	9613674580	HBS115	96 372 405 80	TB683	11127805933	AD5150	110449N01B	AH6760
8200706057	JD6033	96 138 559 80	TB259	9637271180	AA5880	11127805935	AD5160	11044CD005	AE5910
8200 897 097	TB636	96 140 147 80	TB304	96 379 143 80	TB700	11141255015	NF634	11044EA200	AG6130
8200 897 100	TB636	9614972480	BM530	96 379 145 80	TB724	11141265431	NF637	11044EN200	AH6330
8972 292 770	TB750	9616067680	BV140	96 379 146 80	TB724	11141271081	NF637	11044JA11A	AH6770
9031138059	NA5089	9618182380	BS730	96 383 559 80	TB721	11141274346	NF637	11044JA11B	AH6760
9031185001	NF857	96 183 375 80	TB727	96 398 421 80	TB700	11141275466	NF637	11044JA21A	AH6770
9150388580	BH950	9618603280	BG540	96 403 239 80	TB259	11341273501	HR569	11044JA21B	AH6760
9152052180	BM530	9618603680	BG450	96 404 195 80	TB721	11341285249	HR569	1105641B00	HBS110
9153738980	BF570	9619100480	BY310	96 406 692 80	TB720	11341288544	HR599	11130BN700	NA5118
9153861180	BL650	9619659980	BY310	96 408 106 80	TB720	11341288544	HR646	112130Q010	JM7042
9153974080	BL650	9619659980	BY320	96 408 286 80	TB742	11341706580	HR599	113105245D	NA784
9301024280	JJ283	9620571080	JD5972	96 408 400 80	V94961	11341706707	HR599	113105245F	NA784
93 010 362 80	TB560	9621469980	JC759	9641780680	AH5080	11349059169	HR363	113105245G	NA784
9301040280	JC423	9621917180	BX930	9642252180	AH5090	11349059169	HR569	1304216V00	NJ765
9350144480	JN544	9621917280	BX940	9642252280	AH5100	11349059171	HR646	1304216V00	NJ765
9400197139	GM533	9621917380	BX950	9642252380	AH5110	11349059172	HR602	1304242L00	NJ765
9400197149	DM530	9621917480	BX960	9643596780	AD5150	11349059172	HR662	1304242L00	NJ765
9400197169	DM533	9623068080	BX880	9643597080	AD5130	11349063193	HR791	13201-99B00	V94015

OE		OE		OE		OE		OE
13201-99B10	V94447	5451440H	GF044	894F6013AA	ET800	GX0410301A	JB833	
13202-99B10	V94016	5452930D	JB869	894F6700A1A	NB855	HG132204A	JN245	
1320753Y00	PB681	5463048G	GF051	894F6701AB	NB854	HG1812	JB842	
1320753Y10	PB681	5472898X	BH990	894F6710CA	JJ484	KN1629A	GF492	
13212-41B60	VAG96050	5475299V	BF580	894F61270AA	NB856	LR009719	AH5730	
13213-41B60	VAG96051	5477994N	GF044	894F9461AA	JD064	LR009721	AH5731	
13213-6F900	VAG96208	5507791U	GH991	894F9461AB	JD064	LR009722	AH5732	
132702Y510	JM5317	5950720 (x8)	HBS502	89EX6014AA	DG050	LR009723	AH5733	
1327099B00	JM5281	5950738 (x8)	HBS502	9000266U	GF050	MD312441	JD5940	
1351019V00	NJ765	6C106051AB	AH6390	9000269U	GF051	N0138452	PA349	
1351019V00	NJ765	6C106051BB	AH6400	9000340U	GF492	N1123	BF040	
1351077A05	NJ765	6C106051CB	AH6410	904F6584CA	JM5027	N7701465261	EH682	
1351077A05	NJ765	7545293080A	JB869	904F6584CA	JN821	SE039442760	HR646	
1351077A10	NJ765	7545293080B	JB869	9091002151 (x8)	HBS508	SE039442760A	HR599	
1351077A10	NJ765	7700114424023717P	JH5041	91213PH7004	NF678	SGJ586	EH952	
13510V7200	NJ765	7700672860E	AD5190	914F9448AA	JD066	SU00100493	AH6560	
13510V7200	NJ765	7700864736F	BX630	914F9461AA	JD065	SU00100494	AH6570	
14032AX600	JD5841	7701052837 +		91EM6051AA	BP890	SU00100495	AH6580	
1403599B002	JC875	7701052840 +		91EM6051BA	BP900	SU00100496	AH6590	
1403699B00	JC876	7701052838	HM5292	91EM6051CA	BP910	SU00100497	AH6600	
1717300010	JD5846	7701052838 +		924F6013AA	ET800	VGH291	DH692	
1717700010	JD5845	7701052837 +		924F6013BA	ET800	X039442760	HR646	
2214438000	NF678	7701052840	HM5292	924F6051AA	BT800	X03962184	HR805	
22454009R	PA349	7701052840 +		928M6700B5A	NB959	XSQ6385AB	NA5030	
29986L	JB837	7701052838 +		928M6700B5A	NB959	XSQ6571AD	HR5082	
2C9000266U	GF050	7701052837	HM5292	928M6700BA	NB959	XSQ8565AA	HA5020	
2F3121	NB628	78EM6051AA	BF580	928M6700BA	NB959	Y40110272	AH6570	
2F3122	NB628	78EM6571BA	PA229	92SM6441AA	JD498	Y40110273	AH6580	
2N1324	JN234	78EM6584AA	JN245	92SM9441AA	JD498	Y40110274	AH6590	
2S6Q6051AA	AH6560	78EM6710BA	HC346	95VW6571BA	HR599	Y40113460	JD5829	
2S6Q6051BA	AH6570	78EM6734AA	KJ647	9612547U	NF677	Y60110235	JM7034	
2S6Q6051CA	AH6580	78EM6734AA	PA349	9612552U	NF637	Y60110271	AD5130	
2S6Q6051DA	AH6590	78EM9448AA	JB842	972965PM	JD245	Y60110272	AD5140	
2S6Q6051EA	AH6600	81SM6700AA	NB959	9851103U	GF492	Y60110273	AD5150	
2S6Q6700AA	NA5259	81SM6700AA	NB959	A77SX6008AA	GF583	Y60110274	AD5160	
2S6Q6L270AA	NA5258	8200351353B	AE5200	A77SX6014AA	DF580	Y601102H1	AD5170	
2S6Q9448AB	JD5829	83EM6051AA	BP890	A82SX6008AA	GG050	ZC9000266U	GF050	
30021L	JN238	83EM6051AB	BP890	A82SX6013AA	HC346	ZC9000271	DM530	
30197J	HC341	83EM6051BA	BP890	A82SX6014AA	DG050	ZC9000273U	GF050	
30430K	JB836	83EM6051CA	BP900	A82SX6014BA	DH890	ZC9612552U	NF637	
32449U	HC341	83EM6051CB	BP900	A850X6014AA	DF351	ZC9612557U	NF677	
32852Q	NF692	83EM6051DA	BP900	A850X6014ASA	DF351			
38314S	BF100	844F6065AA	HBS008	A850X6014ATA	DH681			
38333V	BF170	849F6700AA	NB855	A850X6014AUA	DM530			
3M5Q6051AA	AD5130	85EM6051AA	BP890	A850X6014CBA	DM710			
3M5Q6051BA	AD5140	85EM6051AB	BP890	A850X6014DAA	DG120			
3M5Q6051CA	AD5150	85EM6051BA	BP900	A850X6014FMA	DH693			
3M5Q6051DA	AD5160	85EM6051BB	BP900	A850X6014FNA	DH683			
3M5Q6051EA	AD5170	86EM6700AA	NF780	A850X6014HEA	DM530			
3M5Q6L004AA	HA5030	86EX6051AA	BF580	A850X6584AAA	JN596			
3M5Q6L004BA	HA5031	86EX6051BA	BP890	A850X6584AJA	JN251			
3N1123	BF040	86EX6051CA	BP900	A850X6584AMA	JN244			
3S7Q6700AA	NA5031	86EX6051DA	BP890	A850X6584ANA	JN248			
3S7Q6710AA	HC5004	86EX6051EA	BP900	A850X6584BAA	JN238			
3S7Q6710BA	HC5004	86HM6700A6A	NA5177	A850X6584BFA	JN232			
44892M	JB836	86HM6700A6A	NA5177	A850X6584CHA	JN292			
48364N	BF170	86HM6700AA	NA5177	A850X6584EEA	JN462			
5412579F	JN234	86HM6700AA	NA5177	AM1323A	JN232			
5414228E	JB868	86SM6700A1A	NB959	AM1412A	JB863			
5414415C	BF040	86SM6700A1A	NB959	AM1412D	JB864			
5414415M	BF040	86SM6700AA	NB645	AM1412E	JB830			
5440081R	GF492	86SM6700AA	NB645	B63010237A	PA858			
5449772C	BF040	87EM6051AA	BP890	CSEH951	EH952			
5449772M01	BF040	87EM6051BA	BP900	E23497	NF694			
5450155R	JN253	87EM6051CA	BP910	GX0316801A	JB833			

VALVE GUIDES

Ventil Führung • Guia De Valvulas • Guides De Soupape
 Guide Valvola • Prowadnice zaworów
 Направляющие Клапанов • دليل الصمام



	F (mm)	G (mm)	E (mm)	
VAG96067	5.000	9.700	34.500	VG5
VAG96050	5.500	9.720	42.000	VG3
VAG96051	5.500	9.720	44.000	VG3
VAG96293B	5.500	11.060	45.000	VG1
VAG96292B	5.500	11.070	40.600	VG1
VAG96271B	6.000	11.060	40.000	VG3
VAG96238B	6.000	11.070	45.000	VG3
VAG96295	6.010	11.040	42.000	VG5
VAG96119	6.030	10.540	41.500	VG1
VAG96078	7.000	11.030	45.000	VG1
VAG50758	7.000	11.150	41.500	VG1
VAG96294B	7.000	12.060	38.300	VG3
VAG92401	7.010	13.060	47.500	VG3
VAG96163B	7.020	12.080	39.000	VG5
VAG96166B	7.020	12.080	40.000	VG5
VAG96182B	7.020	12.080	42.000	VG3
VAG96158	7.020	12.080	45.000	VG5
VAG96172B	7.020	12.080	49.000	VG3
VAG96049	7.020	13.080	40.200	VG3
VAG96208	7.020	13.080	43.000	VG3
VAG96132	7.030	13.110	47.600	VG3
VAG96046B	7.040	13.080	54.000	VG3
VAG92444	8.000	13.040	56.000	VG3
VAG92445	8.000	13.040	60.000	VG1
VAG92330B	8.000	13.060	49.000	VG3
VAG92329B	8.000	13.070	39.000	VG3
VAG92373	8.000	13.070	56.000	VG3
VAG92369	8.000	13.070	60.000	VG1
VAG92098	8.000	13.080	47.500	VG3
VAG92443B	8.000	13.250	39.000	VG3
VAG92337	8.000	13.300	51.000	VG3
VAG51007	8.000	14.060	55.000	VG3
VAG92366	8.000	14.100	46.500	VG3



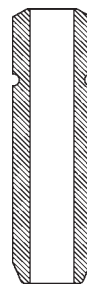
VG1



VG2



VG3



VG5



	F (mm)	G (mm)	E (mm)	
VAG92332B	8.020	13.070	38.700	VG3
VAG92333B	8.020	13.070	45.000	VG3
VAG96215B	8.020	13.090	54.500	VG3
VAG96226B	8.020	13.130	39.000	VG5
VAG96160B	8.020	14.090	48.000	VG1
VAG96100	8.020	14.370	48.000	VG3
VAG96056B	8.030	13.070	45.000	VG3
VAG96057B	8.030	13.080	37.700	VG5
VAG96116B	8.030	13.580	45.000	VG3
VAG92465B	8.030	14.070	52.000	VG2
VAG92331B	8.030	14.080	50.000	VG1
VAG92288B	8.030	14.280	52.000	VG2
VAG96056	8.040	13.080	45.000	VG3
VAG96055	8.040	13.080	48.400	VG3
VAG92179	8.530	14.060	55.500	VG1



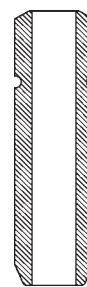
VG1



VG2










VG3

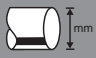








VG5

OIL SEALS



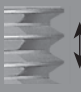



Öldichtungen • Albero a camme • Bagues d'étanchéité
Retenes de aceite • Uszczelnienia olejowe
Сальники • لعمود الكام

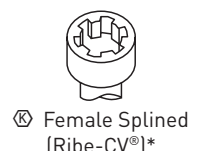
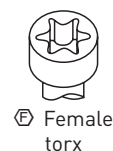
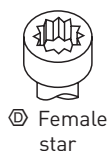
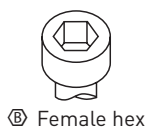
								
22.00	x	45.00	x	7.00	FPM / ACM	827S LD W	↷	NF847
25.00	x	40.00	x	7.00	FPM / ACM	827S RD W	↷↷	NF851
25.00	x	42.00	x	7.00	FPM / ACM	827S RD W	↷↷	NF846
26.00	x	45.00	x	8.00	FPM	ASW	↷↷	NA5318
27.00	x	47.00	x	7.00	FPM	827S RD W	↷↷	NA5035
27.00	x	47.00	x	7.00	PTFE	827S RD W	↷↷	NA5258
28.00	x	42.00	x	5.00	FPM	827S RD W	↷↷	NA5215
28.00	x	42.00	x	7.00	FPM	827S RD	↷↷	NB866
28.00	x	47.00	x	5.50	FPM	827S RD W	↷↷	NA5257
28.00	x	47.00	x	8.00	PTFE / ACM	827S RD W	↷↷	NA5261
28.00	x	52.00	x	10.00	ACM	822N RD	↷↷	NF677
29.00	x	46.00	x	10.00	ACM	827N LD	↷↷	NF741
30.00	x	42.00	x	7.00	FPM	827S RD W	↷↷	NA5053
30.00	x	42.00	x	8.00	ACM	827N LD	↷↷	NF812
30.00	x	42.00	x	8.00	NBR	827N LD	↷↷	NF535
30.00	x	47.00	x	7.00	FPM	827N DD	↷↷	NA5136
32.00	x	44.00	x	6.00	FPM	827S RD W	↷↷	NF856
32.00	x	45.00	x	8.00	FPM	827N LD W	↷↷	NF869
32.00	x	45.00	x	10.00	NBR	827N DD	↷↷	NF492
33.00	x	43.00	x	6.00	FPM	827S RD W	↷↷	NF858
35.00	x	47.00	x	5.60	FPM	827S RD	↷↷	NA5018
35.00	x	47.00	x	7.00	FPM / ACM	827N RD W	↷↷	NA5016
35.00	x	47.00	x	7.00	PTFE / ACM	827S RD W	↷↷	NA5255
35.00	x	47.00	x	7.00	FPM	827N RD W	↷↷	NF687
35.00	x	50.00	x	7.00	MVQ	827N RD W	↷↷	NB645
35.00	x	50.00	x	7.00	FPM	827S RD W	↷↷	NB959
35.00	x	50.00	x	8.00	ACM	827N RD	↷↷	NF678
35.00	x	50.00	x	8.00	FPM	827S RD	↷↷	NF834
35.00	x	50.00	x	8.00	FPM	827N DD	↷↷	NF841
35.00	x	50.00	x	10.00	MVQ	827S RD	↷↷	NF722
36.00	x	50.00	x	7.00	FPM	827S RD W	↷↷	NF817
38.00	x	50.00	x	6.00	FPM	827S RD W	↷↷	NA5260
38.00	x	50.00	x	8.00	NBR	827S RD	↷↷	NA5089
40.00	x	52.00	x	7.00	FPM	829S RD W	↷↷	NA5223
40.00	x	52.00	x	7.00	NBR	827S RD	↷↷	NJ765
40.00	x	55.00	x	6.40	PTFE	827S RD W	↷↷	NA5259
40.00	x	55.00	x	6.50	FPM	827S RD W	↷↷	NA5256
40.00	x	58.00	x	8.00	ACM	827N RD	↷↷	NF694
42.00	x	54.00	x	6.00	FPM	827S RD W	↷↷	NA5036
42.00	x	55.00	x	7.00	FPM / ACM	827S RD W	↷↷	NA5108
42.00	x	56.00	x	7.00	FPM	829S RD W	↷↷	NA5177
42.00	x	60.00	x	10.00	NBR	827N	↷↷	NF387
42.00	x	62.00	x	7.00	PTFE	829S RD W	↷↷	NA5191
42.00	x	62.00	x	10.00	ACM	829S RD W	↷↷	NA5272
42.00	x	62.00	x	10.00	FPM / ACM	827S RD	↷↷	NF761

													
42.00	x	66.00	x	6.00	FPM / ACM	827S RD W	↻	↻					NF870
44.50	x	57.20	x	6.75	ACM	827S RD	↻	↻					NA5138
45.00	x	60.00	x	7.00	ACM	827S RD W	↻	↻					NF780
45.00	x	60.00	x	10.00	ACM	827N RD	↻	↻					NF685
45.00	x	60.00	x	10.00	MVQ	827S RD W	↻	↻					NF786
45.00	x	60.00	x	8.00 / 9.00	ACM	827S RD W	↻	↻					NB628
45.00	x	62.00	x	10.00	MVQ	827S DD W	↻	↻					NF734
46.00	x	59.00	x	7.00	FPM	827S RD W	↻	↻					NF861
47.62	x	66.50	x	11.00	PTFE	827N RD W	↻	↻					NB856
48.00	x	65.00	x	10.00	FPM	829S RD W	↻	↻					NF637
50.00	x	68.00	x	10.00	FPM / ACM	827S RD W	↻	↻					NF843
50.00	x	70.00	x	10.00	FPM	829S RD W	↻	↻					NP067
50.00	x	86.50	x	13.70	PTFE	827S W	↻	↻					NA5031
52.00	x	69.00	x	10.00	NBR	827S DD	↻	↻					NF351
55.00	x	70.00	x	8.00	FPM	827S RD W	↻	↻					NP068
56.00	x	69.00	x	10.00	FPM	827S LD W	↻	↻					NF809
57.50	x	70.00	x	10.00	MVQ	827S LD W	↻	↻					NF810
57.50	x	120.00	x	10.00	FPM	827S LD W	↻	↻					NF763
60.50	x	78.00	x	9.00	MVQ	827N RD	↻	↻					NF640
64.00	x	88.00	x	6.00	FPM / ACM	827S RD	↻	↻					NF866
67.00	x	86.00	x	9.50	PTFE	829S RD W	↻	↻					NB855
70.00	x	90.00	x	10.00	ACM	827N LD	↻	↻					NA784
70.00	x	159.00 / 179.00	x	16.00	FPM	840S RD	↻	↻					NF885
71.00	x	88.00	x	8.00	MVQ	827N LD W	↻	↻					NF692
74.00	x	187.50	x	17.00	FPM	840	↻	↻					LK5001
75.00	x	90.00	x	11.50	FPM / ACM	827SW RD W	↻	↻					NF776
78.00	x	100.00	x	9.00	PTFE	827S RD W	↻	↻					NA5230
78.00	x	100.00	x	10.00	MVQ	827N LD	↻	↻					NF641
79.00	x	99.00	x	9.50	PTFE	829S LD W	↻	↻					NB854
80.00	x	100.00	x	8.00	FPM / ACM	827S LD W	↻	↻					NF835
80.00	x	100.00	x	9.00	PTFE	827S DD W	↻	↻					NA5118
80.00	x	100.00	x	13.00	MVQ	827N LD	↻	↻					NF634
85.00	x	105.00	x	8.00	FPM	827S LD W	↻	↻					NF850
85.00	x	105.00	x	9.00	FPM / ACM	827S LD W	↻	↻					NF857
85.00	x	105.00	x	11.00	ACM	827S LDW	↻	↻					NA5037
90.00	x	110.00	x	7.00	PTFE	829S LD W	↻	↻					NA5192
90.00	x	110.00	x	11.00	FPM / ACM	827S LD W	↻	↻					NF844
90.00	x	115.00	x	13.00	FPM	829S LDW	↻	↻					NF833
93.00	x	108.00	x	7.00	FPM / ACM	827S LD W	↻	↻					NF860
95.00	x	112.00	x	12.50	FPM	827N LD W	↻	↻					NF752
95.00	x	112.00	x	12.50	MVQ	827N RD	↻	↻					NF719
98.00	x	110.00	x	8.50	FPM	827S LD	↻	↻					NA5017
98.00	x	120.00	x	7.00	FPM / ACM	827S LD	↻	↻					NF867
106.00	x	190.00 / 196.00	x	15.20	FPM	841S LD	↻	↻					NA5030
114.00	x	171.00 / 177.00	x	13.00	FPM	840S LD	↻	↻					NF883



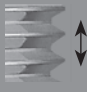


CYLINDER HEADBOLTS

Zylinderkopfschrauben • Viti testa Cilindro • Vis de culasse
Tornillo • Śruba głowicowa
Болты ГБЦ • مسمار الرأس

	Component Reference				QTY		
HBS008	HB015-BA	M12	1.75	92.00	18	ⓓ	
HBS010	HB234-BA	M12	1.50	148.00	4	ⓐ	
HBS010	HB235-BA	M12	1.50	247.00	2	ⓐ	
HBS010	HB236-BA	M12	1.50	134.00	8	ⓑ	
HBS011	HB028-BA	M12	1.25	163.00	10	ⓓ	
HBS011	HB029-BA	M12	1.25	119.00	12	ⓓ	
HBS015	HB009-BA	M11	1.50	97.50	8	ⓐ	
HBS015	HB010-BA	M11	1.50	107.50	7	ⓐ	
HBS015	HB011-BA	M11	1.50	120.00	7	ⓐ	
HBS016	HB010-BA	M11	1.50	107.50	15	ⓐ	
HBS016	HB011-BA	M11	1.50	120.00	7	ⓐ	
HBS017	HB034-BA	M12	1.50	118.00	9	ⓐ	
HBS017	HB035-BA	M12	1.50	146.00	8	ⓐ	
HBS038	HB037-BA	M11	1.50	175.00	10	ⓕ	
HBS039	HB081-BA	M10	1.50	175.00	10	ⓔ	
HBS051	HB082-BA	M10	1.25	84.00	5	ⓐ	
HBS051	HB083-BA	M10	1.25	98.00	5	ⓐ	
HBS082	HB036-BA	M10	1.50	185.00	10	ⓔ	
HBS083	HB038-BA	M11	1.50	168.00	10	ⓐ	
HBS084	HB033-BA	M12	1.50	120.00	10	ⓕ	
HBS087	HB093-BA	M12	1.50	110.00	10	ⓕ	
HBS089	HB166-BA	M11	1.50	159.00	10	ⓔ	
HBS102	HB024-BA	M10	1.50	98.00	5	ⓔ	✓
HBS102	HB025-BA	M10	1.50	113.00	5	ⓔ	✓
HBS104	HB137-BA	M10	1.50	100.00	10	ⓐ	✓
HBS110	HB101-BA	M10	1.50	146.00	10	ⓑ	
HBS113	HB167-BA	M11	1.50	185.00	10	ⓔ	
HBS114	HB168-BA	M12	1.50	138.00	14	ⓔ	
HBS114	HB169-BA	M10	1.50	148.00	8	ⓔ	
HBS115	HB039-BA	M12	1.50	145.00	10	ⓕ	
HBS116	HB138-BA	M12	1.50	243.00	10	ⓐ	
HBS119	HB181-BA	M11	1.50	185.00	5	ⓔ	
HBS119	HB182-BA	M11	1.50	103.00	4	ⓔ	
HBS119	HB205-BA	M11	1.50	183.00	5	ⓔ	
HBS119	HB206-BA	M11	1.50	207.50	4	ⓔ	

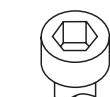


*Ribe-CV® is a registered trademark of Richard Bergner GmbH & Co.

	Component Reference				QTY	
HBS120	HB179-BA	M12	1.50	118.00	10	E ✓
HBS125	HB040-BA	M12	1.50	150.50	10	F
HBS127	HB031-BA	M12	1.50	178.00	16	A
HBS177	HB027-BA	M12	1.50	108.00	10	F
HBS178	HB286-BA	M12	1.75	157.00	10	I
HBS241	HB232-BA	M9	1.25	103.00	10	E
HBS244	HB026-BA	M12	1.50	111.00	10	E
HBS245	HB240-BA	M12	1.50	125.00	10	E
HBS254	HB273-BA	M10	1.50	122.00	10	E
HBS255	HB028-BA	M12	1.25	160.00	14	I
HBS255	HB250-BA	M12	1.25	90.00	8	I
HBS259	HB256-BA	M11	1.50	144.50	10	E
HBS260	HB257-BA	M11	1.50	168.00	10	E
HBS261	HB258-BA	M12	1.50	126.00	10	E
HBS272	HB269-BA	M10	1.50	147.00	16	E
HBS273	HB270-BA	M12	1.50	163.00	14	E
HBS273	HB271-BA	M10	1.50	174.00	8	E
HBS277	HB488-BA	M12	1.50	148.00	10	E
HBS283	HB280-BA	M9	1.25	122.00	10	E
HBS299	HB327-BA	M11	1.50	125.00	10	E
HBS301	HB328-BA	M10	1.50	117.00	10	E
HBS302	HB329-BA	M12	1.50	204.00	10	E
HBS309	HB305-BA	M11	1.50	127.00	10	E
HBS310	HB306-BA	M12	1.50	117.00	10	E
HBS359	HB341-BA	M11	1.50	147.00	10	E
HBS372	HB355-BA	M12	1.50	121.00	10	E
HBS373	HB356-BA	M12	1.50	131.00	10	E
HBS431	HB508-BA	M12	1.50	137.00	10	E
HBS489	HB536-BA	M10	1.50	117.00	10	E
HBS502	HB450-BA	M12	1.50	145.00	8	C
HBS502	HB451-BA	M12	1.50	175.00	8	C
HBS508	HB459-BA	M9	1.50	121.00	8	D
HBS522	HB544-BA	M10	1.50	151.00	10	E
HBS524	HB546-BA	M11	1.25	123.00	10	E
HBS535	HB552-BA	M11	1.50	128.00	10	E



A Male hex



B Female hex



C Male star



D Female star



E Male torx



F Female torx



I Hexagon Collar



K Female Splined (Ribe-CV)*

*Ribe-CV® is a registered trademark of Richard Bergner GmbH & Co.

1	Mechanical
2	Camshaft driven vacuum pump
3	Euro 2
4	Euro 3 (D3)
5	Euro 3 (D3); Euro 4 (D4)
6	Euro 1 to Euro 2
7	Pulley driven vacuum pump
8	With sensor
9	Without sensor
10	With gaskets/seals
11	Without gaskets/seals
12	Without crankshaft seal
13	Without crankshaft seal; With cylinder sleeve ring
14	With gaskets/seals; With cylinder sleeve ring
15	Without gaskets/seals; With cylinder sleeve ring
16	Diameter mm: 82.5
17	Diameter mm: 77.5; Weight kg: 0.277
18	With cylinder sleeve ring
19	Diameter mm: 96
20	Without plain washer
21	Without plain washer; Thread Pitch 1 [mm]: 1.51
22	Bolt Size: 6mm
23	A = 49.470, B = 81.600
24	Pistons to be replaced in Engine Sets only
25	Ring for 2nd groove with side notch
26	Steel
27	To cylinder 1 & 2
28	To cylinder 3 & 4
29	Use also: 1 NB O-Ring HR566
30	Use also: 1 x HT006
31	Use also: HT022
32	Do not fit chromed rings into aluminium cylinders
33	Euro 4
34	Includes seals
35	Nitrided
36	No oil-jet cut out
37	Phosphated
38	Piston available in Kit Set only
39	Specification: Oil Seal in housing
40	Oil Pan Material: Steel
41	Supplementary Article/Supplementary Info 2: With cylinder sleeve ring
42	Supplementary Article/Supplementary Info: With gaskets/seals
43	Supplementary Article/Supplementary Info 2: Without oil pan gasket
44	SPUTTER upper half bearing
45	G-188
46	G-149
47	Bushing design: trapezoidal
48	After installation drill a 4 mm hole

Deutsch

1	Mechanical
2	Unterdruckpumpe mit Nockenwellenantrieb
3	Euro 2
4	Euro 3 (D3)
5	Euro 3 (D3); Euro 4 (D4)
6	Euro 1 bis Euro 2
7	Unterdruckpumpe mit Riemenscheibenantrieb
8	Mit Sensor
9	Ohne Sensor
10	Mit Dichtungen/Dichtringen
11	Ohne Dichtungen/Dichtringe
12	Ohne Kurbelwellen-Dichtring
13	Ohne Kurbelwellen-Dichtring; mit Zylinderbuchsenring
14	Mit Dichtungen/Dichtringen; mit Zylinderbuchsenring
15	Ohne Dichtungen/Dichtringe; mit Zylinderbuchsenring
16	Durchmesser [mm]: 82.5
17	Durchmesser (mm): 77, 5; Gewicht (kg): 0, 277
18	Mit Zylinderbuchsenring
19	Durchmesser [mm]: 96
20	Ohne Unterlegscheibe
21	Ohne Unterlegscheibe; Gewindeteilung 1 [mm]: 1, 51
22	Schraubengröße: 6 mm
23	A = 49.470, B = 81.600
24	Bei Kolbenreparaturen bitte kompletten Motorsatz verwenden
25	Ring für 2. Nut mit seitlicher Kerbe
26	Stahl
27	zum Zylinder 1 - 2
28	zum Zylinder 3 - 4
29	Auch zu verwenden: 1 NB O-Ring HR566
30	Auch zu verwenden: 1 x HT006
31	Auch zu verwenden: HT022
32	Keine verchromten Ringe in Aluminiumzylinder einbauen
33	Euro 4
34	Einschließlich Dichtringen
35	Nitriergehärtet
36	Ohne Aussparung für Kühllötspritzdüse
37	Phosphated
38	Kolben nur im Satz erhältlich
39	Spezifikation: Wellendichtring im Gehäuse
40	Material Ölwanne: Stahl
41	Ergänzender Artikel/zusätzliche Info 2: mit Zylinderbuchsenring
42	Ergänzender Artikel/zusätzliche Info: mit Dichtungen/Dichtringen
43	Ergänzender Artikel/zusätzliche Info 2: ohne Ölwanneabdichtung
44	"SPUTTER" obere Lagerhälfte
45	G-188
46	G-149
47	Trapezförmig
48	Nach dem Einbau muss ein 4 mm Loch gebohrt werden

1	Meccanico
2	Pompa vacuum azionata dall'albero a camme
3	Euro 2
4	Euro 3 (D3)
5	Euro 3 (D3); Euro 4 (D4)
6	Euro 1 in Euro 2
7	Pompa vacuum azionata dalla puleggia
8	Con sensore
9	Senza sensore
10	Con guarnizioni
11	Senza guarnizioni
12	Con paraolio-albero a gomiti
13	Senza paraolio-albero a gomiti; con anello tenuta canna cilindro
14	Con guarnizioni; con anello tenuta canna cilindro
15	Senza guarnizioni; con anello tenuta canna cilindro
16	Diametro [mm]: 82.5
17	Diametro [mm]: 77.5; Peso [kg]: 0.277
18	Con anello tenuta canna cilindro
19	Diametro [mm]: 96
20	Senza rondella d'appoggio
21	Senza rondella d'appoggio; Passo filettatura 1 [mm]: 1.51
22	Bulloni dimensione: 6mm
23	A = 49.470, B = 81.600
24	Il pistone può essere rimpiazzato solamente completo
25	Segmento da montare nella seconda seconda cava
26	Acciaio
27	al cilindro 1 & 2
28	al cilindro 3 & 4
29	Usare anche: 1 NB O-Ring HR566
30	Usare anche 1 x HT006
31	Usare anche HT022
32	No montar segmentos cromados en camisas de aluminio
33	Euro 4
34	Comprende le guarnizioni
35	Nitrurato
36	Senza passaggio per spruzzatore olio
37	Phosphated
38	I pistoni sono disponibili solo in kit motore
39	Especificación: Oil Seal in housing
40	Material cárter: Acero
41	Artículo complementario/ Información complementaria 2: con segmentos para camisa
42	Artículo complementario/Información complementaria: con juntas
43	Artículo complementario/ Información complementaria 2: sin junta de cárter de aceite
44	Semicuscinetto superiore "SPUTTER"
45	G-188
46	G-149
47	Disegno boccola trapezoidale
48	Dopo l'installazione praticare un foro di 4 mm

Français

- | | |
|----|---|
| 1 | Mécanique |
| 2 | Pompe à vide entraînée par l'arbre à cames |
| 3 | Euro 2 |
| 4 | Euro 3 (D3) |
| 5 | Euro 3 (D3); Euro 4 (D4) |
| 6 | Euro 1 à Euro 2 |
| 7 | Pompe à vide entraînée par poulie |
| 8 | Avec capteur |
| 9 | Sans capteur |
| 10 | Avec joints/bagues d'étanchéité |
| 11 | Sans joints/bagues d'étanchéité |
| 12 | Sans bague d'étanchéité - vilebrequin |
| 13 | Sans bague d'étanchéité - vilebrequin; avec joint de chemises de cylindre |
| 14 | Avec joints; avec joint de chemises de cylindre |
| 15 | Sans joints; avec joint de chemises de cylindre |
| 16 | Diamètre [mm]: 82.5 |
| 17 | Diamètre [mm]: 77.5; Poids [kg]: 0.277 |
| 18 | Avec joint de chemises de cylindre |
| 19 | Diamètre [mm]: 96 |
| 20 | Sans rondelle de calage |
| 21 | Sans rondelle de calage; Pas du filetage 1 [mm]: 1.51 |
| 22 | Boulon taille: 6mm |
| 23 | A = 49.470, B = 81.600 |
| 24 | Pistons remplaçables uniquement par Kit Moteur |
| 25 | Segment à monter dans la deuxième gorge |
| 26 | Acier |
| 27 | Pour cylindre 1 & 2 |
| 28 | Pour cylindre 3 & 4 |
| 29 | Utiliser aussi: 1 joint torique HR566 |
| 30 | Utiliser aussi: 1 x HT006 |
| 31 | utiliser aussi: HT022 |
| 32 | Ne pas monter de segments chromés avec des cylindres en aluminium |
| 33 | Euro 4 |
| 34 | Inclut des joints |
| 35 | Nitruré |
| 36 | Sans conduit de pression d'huile |
| 37 | Phosphaté |
| 38 | Piston disponible en kit uniquement |
| 39 | Spécification: Oil Seal in housing |
| 40 | Matériau du carter d'huile: acier |
| 41 | Article complémentaire / Info complémentaire 2: avec joints de chemises de cylindre |
| 42 | Article complémentaire / Info complémentaire: avec joints |
| 43 | Article complémentaire / Info complémentaire 2: sans joint de carter d'huile |
| 44 | Demi-coussinet supérieur "SPUTTER" |
| 45 | G-188 |
| 46 | G-149 |
| 47 | Type de bague: trapézoïdal |
| 48 | Après montage percer un trou de 4 mm |

1	Mecánico
2	Bomba de vacío accionada por el árbol de levas
3	Euro 2
4	Euro 3 (D3)
5	Euro 3 (D3); Euro 4 (D4)
6	de Euro 1 a Euro 2
7	Bomba de vacío accionada por polea
8	Con sensor
9	Sin sensor
10	Con juntas
11	Sin juntas
12	Con árbol retén
13	Sin cigüeñal retén; con segmentos para camisa
14	Con juntas; con segmentos para camisa
15	Sin juntas; con segmentos para camisa
16	Diámetro [mm]: 82.5
17	Diámetro [mm]: 77.5; Peso[kg]: 0.277
18	Con segmentos para camisa
19	Diámetro [mm]: 96
20	Sin arandela
21	Sin arandela; Paso rosca 1 [mm]: 1.51
22	Perno tamaño: 6mm
23	A = 49.470, B = 81.600
24	Pistones de repuesto para juegos de motores solamente
25	Segmento destinado para el montaje en la segunda ranura con
26	Acero
27	A cilindro 1 & 2
28	A cilindro 3 & 4
29	Utilizar también: 1 NB junta toricas HR566
30	Utilizar también: 1 x HT006
31	Utilizar también: HT022
32	No quepa los anillos cromados en los cilindros de aluminio
33	Euro 4
34	Incluye los sellos
35	Nitrurado
36	Sin escotadura
37	Phosphated
38	Pistón disponible en conjuntos solamente
39	Specificazione: Oil Seal in housing
40	Materiale coppa olio: Acciaio
41	Articolo complementare/Info integrativa 2: con anello tenuta canna cilindro
42	Articolo complementare/Info integrativa: con guarnizioni
43	Articolo complementare/Info integrativa 2: Senza guarnizione coppa olio
44	Demi-coussiniet supérieur "SPUTTER"
45	G-188
46	G-149
47	Diseño de cojinete: trapezoidal
48	Después de la instalación perfore un agujero de 4 mm

Polski

- | | |
|----|--|
| 1 | mechaniczne |
| 2 | Pompa podciśnieniowa napędzana wałkiem rozrządu |
| 3 | Euro 2 |
| 4 | Euro 3 |
| 5 | Euro 3; Euro 4 |
| 6 | Euro 1 po Euro 2 |
| 7 | Pompa podciśnieniowa napędzana kołem pasowym |
| 8 | z czujnikiem |
| 9 | bez czujnika |
| 10 | z uszczelnieniami |
| 11 | bez uszczelnień |
| 12 | bez wału korbowego z pierścieniami uszczelniającymi |
| 13 | bez wału korbowego z pierścieniami uszczelniającymi; z pierścieniami tłokowymi |
| 14 | z uszczelnieniami; z pierścieniami tłokowymi |
| 15 | bez uszczelnień; z pierścieniami tłokowymi |
| 16 | Srednica [mm]: 82.5 |
| 17 | Srednica [mm]: 77.5; Ciężar [kg]: 0.277 |
| 18 | z pierścieniami tłokowymi |
| 19 | Srednica [mm]: 96 |
| 20 | bez podkładki okrągłej |
| 21 | bez podkładki okrągłej; Skok gwintu 1 [mm]: 1.51 |
| 22 | Bolt Rozmiar: 6mm |
| 23 | A = 49.470, B = 81.600 |
| 24 | Wymiana tłoków tylko w kompletnych zestawach dla silnika |
| 25 | Pierścień do drugiego rowka z bocznym wycięciem |
| 26 | Stal |
| 27 | do 1 cylindra; do 2 cylindra |
| 28 | do 3 cylindra; do 4 cylindra |
| 29 | Użyć również: 1 NB O-Ring HR566 |
| 30 | Użyć również: 1 x HT006 |
| 31 | Użyć również: HT022 |
| 32 | Nie montować chromowanych pierścieni w aluminiowych cylindrach |
| 33 | Euro 4 |
| 34 | Zawiera uszczelnienia |
| 35 | Azotowany |
| 36 | Bez kanałki dyszy olejowej |
| 37 | Fosforanowane |
| 38 | Tłok dostępny tylko w zestawie |
| 39 | specyfikacja: Oil Seal in housing |
| 40 | Materiał miski olejowej: Stal |
| 41 | artykuł uzupełniający / informacja uzupełniająca 2: z pierścieniami tłokowymi |
| 42 | artykuł uzupełniający / informacja uzupełniająca 2: z uszczelnieniami |
| 43 | artykuł uzupełniający / informacja uzupełniająca 2: bez uszczelki miski olejowej |
| 44 | Górna półpanewka typu "SPUTTER" |
| 45 | G-188 |
| 46 | G-149 |
| 47 | Trapezowy |
| 48 | Po zamontowaniu wywiercić otwór o średnicy 4 mm |

1	механический
2	Вакуумный насос с приводом от распредвала
3	Euro 2
4	Euro 3
5	Euro 3; Euro 4
6	Euro 1 по Euro 2
7	Вакуумный насос с приводом от шкива.
8	с датчиком
9	без датчика
10	с уплотнениями
11	без уплотнений
12	без уплотнительного кольца вала - коленчатый вал
13	без уплотнительного кольца вала - коленчатый вал; с кольцами втулок движения цилиндров
14	с уплотнениями; с кольцами втулок движения цилиндров
15	без уплотнений; с кольцами втулок движения цилиндров
16	Диаметр [мм]: 82.5
17	Диаметр [мм]: 77.5; Вес [кг]: 0.277
18	с кольцами втулок движения цилиндров
19	Диаметр [мм]: 96
20	без прокладной шайбы
21	без прокладной шайбы; Шаг резьбы 1 [мм]: 1.51
22	Болт Размер: 6 мм
23	A = 49.470, B = 81.600
24	Поршни следует заменять только в составе ремонтного комплекта двигателя
25	Кольцо для 2й канавки с боковой выемкой
26	сталь
27	к цилиндру 1; к цилиндру 1
28	к цилиндру 3; к цилиндру 4
29	Также используйте: Уплотнительное кольцо 1 NB HR566
30	Также используйте: 1 x HT006
31	Также используйте: HT022
32	Не устанавливайте хромированные кольца в алюминиевые цилиндры
33	Euro 4 (D4)
34	Включает уплотнения
35	С азотированием поверхности
36	Нет отверстия для масляной форсунки
37	Фосфатирование
38	Поршень доступен только в составе комплекта
39	Спецификация: Oil Seal in housing
40	Материал масляного поддона: сталь
41	Дополнительный артикул / Дополнительная информация 2: с кольцами втулок движения цилиндров
42	Дополнительный артикул / Дополнительная информация: с уплотнениями
43	Дополнительный артикул / Дополнительная информация 2: без прокладки масляного картера
44	Верхняя составная часть "СПАТТЕРНОГО" вкладыша
45	G-188
46	G-149
47	Трапецеидальный
48	После установки просверлите отверстие диаметром 4 мм

اللغة العربية

1	ميكانيكي
2	مضخة تفريغ تعمل بعمود الكامنة
3	بورو 2
4	بورو 3 (د3)
5	بورو 3 (د3); بورو 4 (د4)
6	بورو 1 إلى بورو 2
7	مضخة تفريغ تعمل بالكرة
8	بحساس
9	بدون حساس
10	بمزود بحشيات/سدادات
11	بدون حشيات/سدادات
12	بدون مانع تسريب عمود المرفق
13	بدون مانع تسريب عمود المرفق; بحلقة كم أسطوانية
14	بحشيات/سدادات; بحلقة كم اسطوانية
15	بدون حشيات/سدادات; بحلقة كم أسطوانية
16	القطر [مم]: 82.5
17	القطر مم: 77.5; الوزن كج: 0.277
18	مع حلقة كم اسطوانية
19	القطر [مم]: 96
20	بدون حشية حوض زيت; بدون وردة عادية
21	بدون حشية حوض زيت; بدون وردة عادية; سن اللولب 1مم: 1.51
22	حجم المسمار: 6 مم
23	أ = 49.470, د = 81.600
24	الكباسات المطلوب استبدالها في مجموعة المحركات فقط
25	الحلقة الخاصة بالمجرى الثاني مزودة بتجويف جانبي
26	الصلب
27	للأسطوانة 1 و 2
28	للأسطوانة 3 و 4
29	HR566 حلقة دائرية NB استخدم أيضًا: 1
30	HT006 x استخدم أيضًا: 1
31	HT022: استخدم أيضًا
32	لا تقم بتركيب الحلقات المطلية بالكروم في أسطوانات مصنوعة من الألمنيوم
33	بورو 4
34	تشتمل على سدادات
35	بالنيتريد
36	بدون قطع نفث الزيت
37	بالفوسفات
38	الكباس متاح في مجموعة الطقم فقط
39	المواصفات: سداة الزيت داخل التجويف
40	مادة حوض الزيت: صلب
41	مادة تكميلية/معلومات تكميلية 2: بحلقة كم أسطوانية
42	مادة تكميلية/معلومات تكميلية: مزود بحشيات/سدادات
43	مادة تكميلية/معلومات تكميلية 2: بدون حشية حوض زيت
44	SPUTTER محمل النصف العلوي للرشاش
45	G-188
46	G-149
47	تصميم الجلبة: شبه منحرف
48	بعد التركيب، الثقب فتحة قطرها 4 مم

Keep it real. Keep out counterfeit.



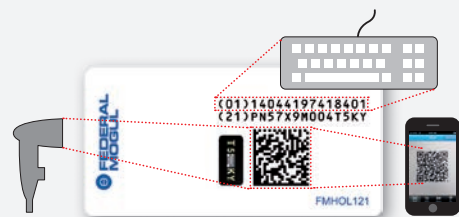
The authenticity of all our engine and sealing products is protected by the MAPP Code (Manufacturers Against Product Piracy) and the PrioSpot® Authentication device, featured on a special Anti-Counterfeit label on the packaging. In this way you can be sure of our trusted Federal-Mogul quality!

How to check the authenticity of your products

1 - Check if the packaging is closed and the label is intact

2 - Verify the unique alphanumeric code and data matrix code

- Type in the alphanumeric code at www.fmecat.eu
- or
- Read the Data Matrix Code with a 2-D scanner
- or
- Read the Data Matrix Code on your smartphone with a barcode reader app

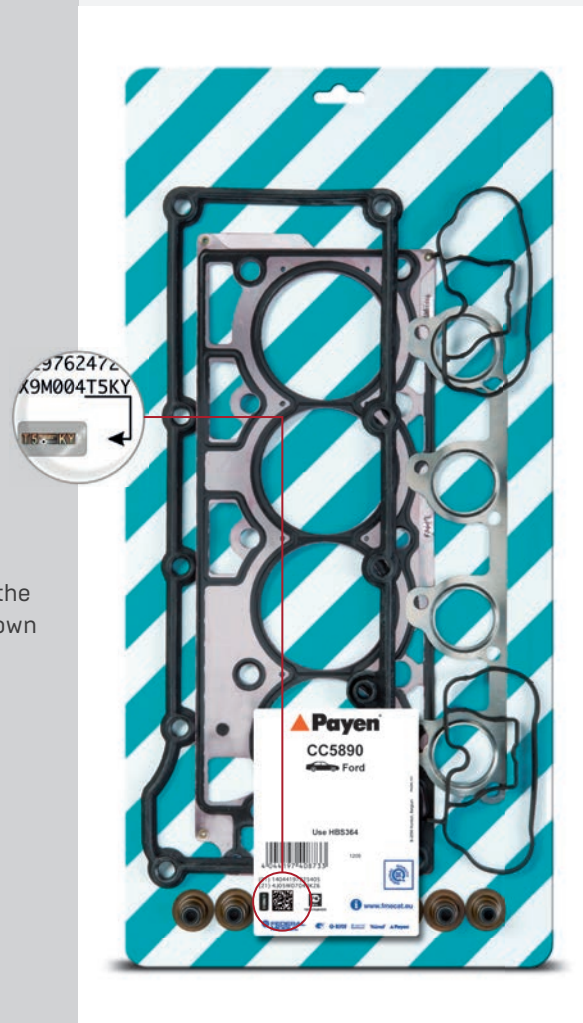


3 - Verify the unique security code on the PrioSpot® Label

- Different code on each packaging



- Code contains the last 4 digits of the alphanumeric code
- The code and the Federal-Mogul logo shimmer in rainbow colours only in direct light
- Only in direct light a digit, repeating the last digit of the security code, is visible. This digit will move up and down when you change the angle of the PrioSpot®



Federal-Mogul Global Aftermarket EMEA bvba

Prins Boudewijnlaan 5 • B-2550 Kontich • Belgium

Central Distribution Centre

Prins Boudewijnlaan 7 • B-2550 Kontich • Belgium

Phone +32 (0) 3450 83 10 • Fax +32 (0) 3450 83 38

Federal-Mogul Italy Srl**Aftermarket Division**

Via Enrico Fermi 8 • 37135 Verona • Italy

Phone +39 045 828 13 11 • Fax +39 045 828 14 00

Federal-Mogul Germany GmbH

Albert-Ruprecht-Strasse 2 • 71636 Ludwigsburg • Germany

Phone +49 (0) 7141-64865-8230 • Fax +49 (0) 7141-64865-8390

Federal-Mogul Aftermarket UK Limited

Greyhound Drive • Bradford • BD7 1NQ • England

Phone +49 (0) 7141-64865-8230 • Fax: +49 (0) 7141-64865-8390

Federal-Mogul Ibérica, S.L.**Federal-Mogul Aftermarket España, S.A.**

Calle Alcarria, nº 2 • 28823 Coslada • Madrid • Spain

Phone: + 34 91 746 1900 • Fax: + 34 91 746 18 90

Federal-Mogul Aftermarket France

60-62, rue Danjou • 92517 Boulogne-Billancourt Cedex • France

Phone +33 (0) 1 46 94 27 00 • Fax +33 (0) 1 46 94 27 01

Service Commande de stock :

Phone +33 (0) 810 000 029 • Fax +32 34 50 80 26

Service Commande express :

Phone +33 (0) 810 000 029 • Fax +32 34 50 80 26

Federal-Mogul Aftermarket**Southern Africa (PTY) Ltd**

33 Western Boulevard • City West • Johannesburg • South Africa

Phone +27 11 630 3000 • Fax +27 11 630 3040

Federal-Mogul Aftermarket Turkey

Meclis-i Mebusan Cad. No: 53 Dereli İş Merkezi 34427 • Fındıklı / İstanbul • Türkiye

Phone +90 212 292 6313 • Fax +90 212 292 6260

Federal-Mogul Aftermarket Russia Ltd

Smolnaya street 24D, 13th floor • 125445 Moscow • Russia

Phone +7 495 221 50 60 • Fax +7 495 221 50 64








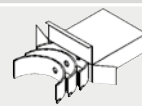
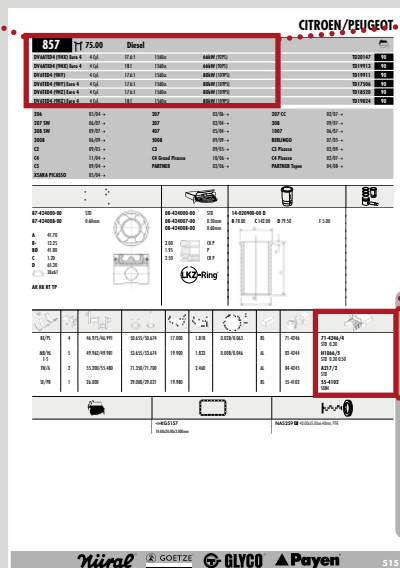
Amendment to the CATMX1402 PSA/Renault Catalogue



Rectification page 515 - panel 857 Concerning the applications of the PSA DV6TED4

The **71-4246/4*** bearings
can **ONLY** be fitted to engines types **90PS** and **92PS**.
! They **CANNOT BE FITTED** to engines type **109PS**.

857		75.00	Diesel			
DV6ATED4 (9HX) Euro 4	4 Cyl.	17.6:1	1560cc	66kW (92PS)		
DV6ATED4 (9HX) Euro 4	4 Cyl.	18:1	1560cc	66kW (90PS)		
DV6TED4 (9HY)	4 Cyl.	17.6:1	1560cc	80kW (109PS)		
DV6TED4 (9HY) Euro 4	4 Cyl.	17.6:1	1560cc	80kW (109PS)		
DV6TED4 (9HZ) Euro 4	4 Cyl.	17.6:1	1560cc	80kW (109PS)		
DV6TED4 (9HZ) Euro 4	4 Cyl.	18:1	1560cc	80kW (109PS)		



71-4246/4*
STD 0.30
H1066/5
STD 0.30 0.50
A217/2
STD
55-4102
SEMI

515

H1066/5, A217/2, 55-4102 can be used on all engines listed in panel 857