

ENGINE EXPERTISE

BY  **FEDERAL-MOGUL**
MOTORPARTS

4



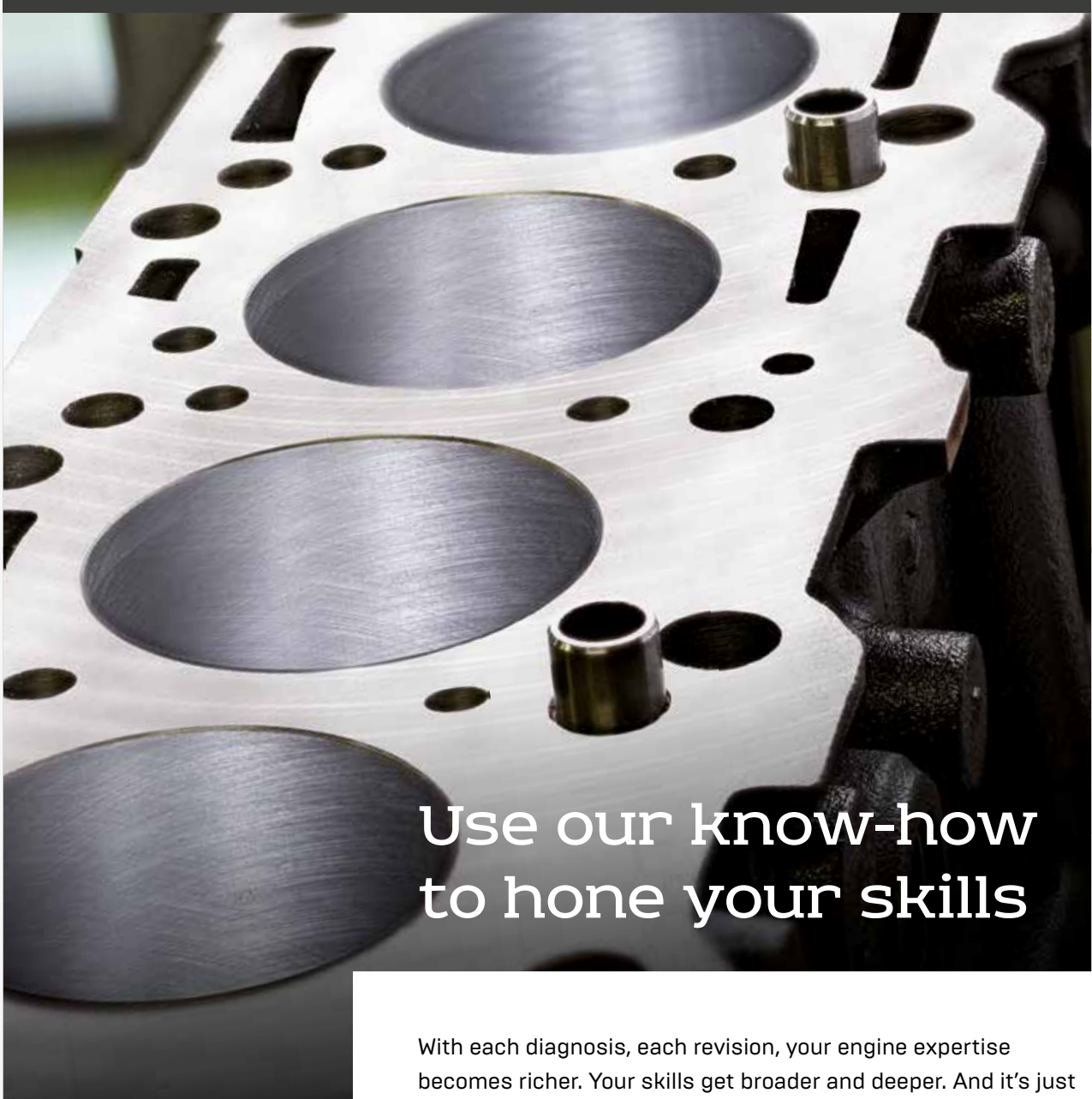
Alfa / Fiat / Lancia
Iveco

CATMX1501



2015-2016





Use our know-how to hone your skills

With each diagnosis, each revision, your engine expertise becomes richer. Your skills get broader and deeper. And it's just the same at Federal-Mogul. That's why people rely on you. For example, your eye for detail and your feel for precise cylinder liner honing guarantee optimum engine performance. Your expertise helps us understand which parts you need, and how we can give you even more support to make it easier for you to achieve perfection with each engine job.

Because our engine expertise... is based on yours.



ENGINE EXPERTISE
BY  **FEDERAL-MOGUL**
MOTORPARTS



Nival



INTRODUCTION

Dear Federal-Mogul Motorparts partner,

Welcome to the fourth volume of the *Federal-Mogul Motorparts Engine Expertise catalogue*. All engine and sealing parts for Alfa, Fiat, Lancia and Iveco light vehicle engines are covered in this catalogue, which is compiled to meet the requirements and increase the efficiency of engine rebuilders and service technicians working on these vehicles.

Federal-Mogul is an innovative and diversified global supplier of quality products, trusted brands and creative solutions for the OE market. We prioritise value creation through technology and innovation in products, processes and services, which makes us the preferred supplier to the global OE market.

The complete service for Italian engine rebuild specialists

Federal-Mogul Motorparts's new catalogue provides specialists rebuilding Italian engines with the latest, trusted OE specification technologies from a one-stop-shop. Our customers get to feel the benefit of Federal-Mogul's extensive experience in developing innovative products and also its range of expert brands that include: AE[®] for valvetrain, camtrain and belts; Payen[®] gaskets, sets, seals and headbolts; Nüral[®] pistons and assemblies; Goetze[®] piston rings and liners; and Glyco[®] engine bearings. All manufactured to exacting OE specification.

Future successes and reduced emissions

Federal-Mogul focuses on the quality and innovation that helps our global vehicle manufacturer customers continue to increase durability and drive down harmful CO₂ emissions. This proven expertise recognized through our brands is highly regarded by engine rebuild specialists worldwide.

Federal-Mogul's established business partnerships provide a reliable support network committed to servicing the needs of the automotive market, which helps optimise businesses' working practices and results in customer satisfaction.

We hope you enjoy the benefits of this catalogue!

Mark Whitehead,
Global Product Director Engine



Alexis Goslin,
Business Director Sealing,
Engine & Underhood Service EMEA



CONTENT

EN

Content	II
How to use this catalogue	IV - VII
Terms of business	XXXVI
Model index	XXXVIII - LXIII
Engine index	LXIV - LXXIX
Top engine applications	1
Bottom engine applications	425
Numerical parts list	851
OE interchange	914
Valve guides	926
Oil seals	928
Cylinder headbolts	930
Technical notes	932

DE

Inhaltsverzeichnis	II
So benutzen Sie diesen Katalog	VIII - XI
Geschäftsbedingungen	XXXVI
Modelverzeichnis	XXXVIII - LXIII
Motorindex	LXIV - LXXIX
Zylinderkopfanwendungen	1
Motorblockanwendungen	425
Nummerische Teilleiste	851
OE-Entsprechungen	914
Ventilführungen	926
Wellendichtringe	928
Zylinderkopfschrauben	930
Technische Hinweise	933

IT

Contenuto	II
Come si utilizza il catalogo	XII - XV
Condizioni generali	XXXVI
Indice de modello	XXXVIII - LXIII
Indice motore	LXIV - LXXIX
Applicazioni parte alta del motore	1
Applicazioni bassa inferiore del motore	425
Elenco riferimenti	851
Intercambio OE	914
Guidavalvole	926
Paraoli	928
Viti testa cilindro	930
Note tecniche	934

FR

Contenu	II
Comment se servir de ce catalogue	XVI - XIX
Conditions générales de vente	XXXVI
Index de modèle	XXXVIII - LXIII
Index moteur	LXIV - LXXIX
Applications haut moteur	1
Applications bas moteur	425
Liste numérique des références	851
Liste d'équivalence Première Monte (OE)	914
Guides de soupape	926
Bagues d'étanchéité	928
Vis de culasse	930
Notes techniques	935

ES

Índice	III
Cómo utilizar este catálogo	XX - XXIII
Condiciones de venta	XXXVII
Índice de Modelo	XXXVIII - LXIII
Índice de motores	LXIV - LXXIX
Aplicaciones para la parte superior del motor	1
Aplicaciones para la parte inferior del motor	425
Lista de referencias	851
Cruce de referencias de equipo original	914
Guías de válvula	926
Retenes de aceite	928
Tornillos de culata	930
Notas técnicas	936

PL

Spis treści	III
Jak używać tego katalogu	XXIV - XXVII
Warunki współpracy	XXXVII
Indeks modelu	XXXVIII - LXIII
Indeksy silników	LXIV - LXXIX
Góra silnika	1
Dół silnika	425
Lista części	851
Zamienniki OE	914
Prowadnice zaworów	926
Uszczelnienia olejowe	928
Śruby do głowicy cylindrów	930
Notatki techniczne	937

RU

Содержание	III
Как пользоваться каталогом	XXVIII - XXXI
Условия делового сотрудничества	XXXVII
Модель автомобиля	XXXVIII - LXIII
Указатель двигателей	LXIV - LXXIX
Детали верхней части двигателя	1
Детали нижней части двигателя	425
Список номеров деталей	851
Взаимозаменяемость с оригинальными деталями	914
Направляющие клапанов	926
Сальники	928
Болты ГБЦ	930
Технические примечания	938

AR

III	المحتوى
XXXV - XXXII	كيفية استخدام هذا الكatalog
XXXVII	شروط العمل
LXIII - XXXVIII	دليل المحرك
LXXIX - LXIV	مؤشر المحرك
1	تطبيقات المحرك العلوية
425	تطبيقات المحرك السفلية
851	قائمة القطع المرقمة
914	تبادل المعدة الأصلية
926	موجهات الصمامات
928	لعمود الكام
930	مسامير رأس الأسطوانة
939	المنذرة التقنية

HOW TO USE THIS CATALOGUE

EN



FIAT GROUP				
172	80.50	Petrol		
159 A2.000	4 Cyl.	9.2:1	1372cc	57kW (78)PS
160 A1.000	4 Cyl.	9.2:1	1372cc	52-56kW (71-76)PS
836 A4.000	4 Cyl.	9.2:1	1372cc	51kW (69)PS

6	7	8	9	10	11
TB305 138x15	TBK027 Component No:TB305;AE1008TP	CAM719			FOL104 (x8) [8]
[8] Mécanique	[8] Mécanique	[8] Meccanico	[8] Mecánico		

12	OE	MAT.	19	20	21	22	23
V91300 13	7609772	MB	45°		H	VAG92366 13	
37.50 x 8.00 x 108.50 14	15	MD	45°			46.50 x 8.00 x 14.10 24	23
V90071 13	4315062	MD cr	45°				
30.99 x 8.00 x 109.09	4315062	MD cr	45°				
V91713 13		MD cr					
31.00 x 8.00 x 109.00							


- 1 Panel no.
- 2 Bore size
- 3 Engine detail
- 4 TecDoc / F-M engine no.
- 5 Corresponding bottom engine panel number
- 6 Timing belt references
No. of teeth x belt width
- 7 Timing belt kit references
- 8 Camshaft references
- 9 Camkit references
- 10 Rocker arm references
(required engine quantity in brackets)
- 11 Tappet & Thrust pad references
(required engine quantity in brackets)
- 12 Valve references
- 13 Fitting position
- 14 Valve dimensions
- 15 Valve OE reference
- 16 Material code
- 17 Valve stem coating
- 18 Cotter design
- 19 Seat angle
- 20 Seat treatment
- 21 Tip treatment
- 22 Valve guide references
- 23 Valve guide shape
- 24 Valve guide dimensions






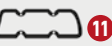






MATERIAL CODE	TYPE	HEAD	STEM	SUITABLE FOR
MB	Mono-Metal	Martensitic chrome-silicon alloy steel	n/a	Petrol & diesel inlet valves and for stems in bimetallic exhaust valves
MD	Mono-Metal	Austenitic chrome-manganese-nickel steel	n/a	Exhaust valves operating up to 750°C
ME	Bi-Metal	Austenitic chrome-manganese-nickel steel with added niobium, tungsten and nitrogen	MB	Heavy duty exhaust valves, operating up to 780°C
MF	Bi-Metal	Nimonic™, nickel based super alloy with added chromium, cobalt and titanium	MB	Exhaust valves; good mechanical strength, resistance to fatigue, erosion & corrosion. Operating up to 820°C
MG	Bi-Metal	MD	MB	Exhaust valves operating up to 750°C

FEATURE CODE	DESCRIPTION
cr	Chrome layer on valve stem
tu	Tuftrided/Nitrided valve
ss	Stellite welded seat
Y	Hardened valve seat
st	Stellite welded tip
H	Hardened valve tip

HOW TO USE THIS CATALOGUE











FIAT GROUP

172 ¹	80.50 ²	Petrol			
159 A2.000 ³	4 Cyl.	9.2:1	1372cc	57kW (78)PS	4 TD9728 911 5
160 A1.000	4 Cyl.	9.2:1	1372cc	52-56kW (71-76)PS	TD1015 911
836 A4.000	4 Cyl.	9.2:1	1372cc	51kW (69)PS	TD893 912


 6	 7	 8	 9	 10	 11	 12	 13
BR620 Fibre Composite	DR620	GR620	HBS051 	JD146 JF150	JP049  (Cork) JN805 	HR363 	NA5187 30.00x52.00x7.00mm ACM

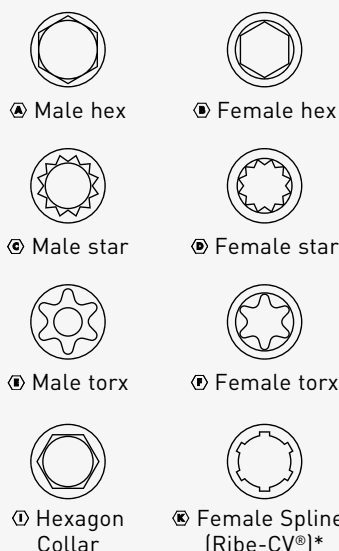


BR620

- 1** Panel no.
- 2** Bore size
- 3** Engine detail
- 4** TecDoc / F-M engine no.
- 5** Corresponding bottom engine panel number
- 6** **CYLINDER HEAD GASKET**
 -  = Left
 -  = Right
 -  = Piston protrusion
 - 0.50mm = Thickness
 - 1 hole = Identification mark
- 7** **HEAD SET**
 -  = Without cylinder head gasket
 -  = Without seals
 -  = Without valve cover gasket
 -  = Without valve stem seals
- 8** **FULL SET**
 -  = Without cylinder head gasket
 -  = Without seals
 -  = Without valve cover gasket
 -  = Without valve stem seals

9 HEADBOLT SET

 Headbolt shape




*Ribe-CV® is a registered trademark of Richard Bergner GmbH & Co.




10 MANIFOLD GASKET

- Left = 
- Right = 
- Set = 
- Inlet = 
- Exhaust = 
- Upper = 
- Lower = 



11 VALVE COVER GASKET

- Left = 
- Right = 
- Inlet = 
- Exhaust = 
- Set = 

12 VALVE STEM SEAL

- Set = 
- Inlet = 
- Exhaust = 

13 CAMSHAFT OIL SEALS

- Front = 
- Rear = 

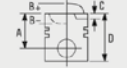



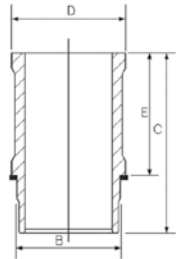

HOW TO USE THIS CATALOGUE

EN













FIAT GROUP

898 ¹	80.00 ²	Petrol				
AR 00548 ³	4 Cyl.	1779cc	83-97kW (113-132)PS	⁴	TD18	152 ⁵
AR 01608	4 Cyl.	1779cc	87-89kW (118-121)PS		TD5340	154
AR 01608 X	4 Cyl.	1779cc	85kW (115)PS		TD33	155
AR 01678	4 Cyl.	1779cc	88-90kW (120-122)PS		TD38	154
AR 06168	4 Cyl.	1779cc	88kW (120)PS		TD54	157
AR 06202	4 Cyl.	1779cc	85-89kW (116-121)PS		TD55	157
AR 61102	4 Cyl.	9:1	1779cc		TD10149	157

 87-528500-00 ⁶ STD A 33.25 B- 13.35 D 80.10  22x69	 08-528500-00 ⁷ STD 1.50 1.75 3.50 CR P P P	 ⁸ ⁹ 15-632600-00 WH [1] B 85.00 C 152.00 D 98.00 E 107.50 	 89-528500-00 87-528500-00 + 15-632600-00 ¹¹
--	---	--	---

¹²
 [1] Includes seals [1] Inclut des joints [1] Comprende le guarnizioni [1] Incluye los sellos

 ¹³	 ¹⁴	 ¹⁵	 ¹⁶	 ¹⁷	 ¹⁸	 ¹⁹	 ²⁰	 ²¹	 ²²
BE/PL	4	49.988/49.998	53.695/53.708	23.440	1.838	0.021/0.069	BS	60010CP	71-4168/4 STD 0.25 0.50
MB/HL 1,3,5	3	59.960/59.973	63.657/63.676	25.530	1.837	0.020/0.067	BS	60011CP	H1030/5 STD 0.25 0.50
MB/HL 2,4	2	59.960/59.973	63.657/63.676	18.360	1.837	0.020/0.067	BS	60012CP	
TW/A	4	65.786/66.040	82.423/82.677		2.362		AL-LF	2777AF	A178/4 STD

- ¹ Panel no.
- ² Bore size
- ³ Engine detail
- ⁴ TecDoc / F-M engine no.
- ⁵ Corresponding top engine panel number
- ⁶ Piston reference
 - A = Compression height
 - B = Bowl depth / Crown height
 - BØ = Bowl diameter
 - C = Valve pocket depth
 - D = Length
 - RT = Alfin insert
 - KK = Oil cooling gallery
 - AK = Oil jet cut-out
 - HA = hard anodised coating on crown
 - NB = Bronze pin bush
 - TP = Trapezoidal Conrod
- ⁷ Ring set reference
 - Ring width
 - Ring design
 - Ring surface treatment
- ⁸ Liner reference
 - B = Outer diameter
 - C = Overall length
 - D = Flange diameter
 - E = Flange width
 - F = Firelip height
- ⁹ Liner type
 - D = Dry
 - WH = Wet Honed
 - DH = Dry Honed
- ¹⁰ Piston image and casting number (if applicable)
- ¹¹ Kitset assembly reference
- ¹² [] = Technical note

HOW TO USE THIS CATALOGUE



EN

- 13** Bearing type and position
BE/PL = Connecting rod (big end) bearing
MB/HL = Main bearing
TW/A = Thrust washer
SE/PB = Piston pin (small end) bushing
CB/NWB = Camshaft bushing
BU = Other bushings
- 14** Set composition
- 15** Minimum and maximum standard journal diameter
- 16** Minimum and maximum housing bore diameter
- 17** Maximum bearing width
- 18** Maximum standard wall thickness
- 19** Oil clearance
- 20** Bearing material codes
AL = Steel back aluminium..... Bi-/Trimetallic
B = Brass
BB = Steel back babbit..... Bimetallic
BC = Steel back cast bronze – no overlay..... Bimetallic
BS = Steel back sintered bronze – no overlay... Bi-/Trimetallic
EC = Steel back bronze – electrocoated..... Trimetallic
SP = Steel back bronze – Sputter..... Trimetallic
IX = Steel back aluminium – Polymer
-LF= Lead-free
- 21** Component reference
- 22** Glyco set reference and available undersizes
H = Main bearing
N = Camshaft bushing
A = Thrust washer
.../4 = Number of pairs (bearings) or pieces (washers / bushings) per set
...H = Thrust (flange) bearing



FIAT GROUP					
995	82.60	Diesel			
149 B2.000	4 Cyl.	20:1	1697cc	42kW (57)PS	TD16864 295
23	24	25			
EV684	JJ298 (Cork) JJ298	NB742 30.00x43.00x3.00mm, ACM NB732 74.00x90.00x10.00mm, FPM			

- 23** **CONVERSION SET**
▲ = Without cylinder head gasket
■ = Without seals
☒ = Without valve cover gasket
● = Without valve stem seals

- 24** **SUMP GASKET**
Set = **S**

- 25** **CRANKSHAFT SEAL**
Front = **F**
Rear = **R**

SO BENUTZEN SIE DIESEN KATALOG

DE



FIAT GROUP

172 ¹		80.50 ²		Petrol			
159 A2.000 ³	4 Cyl.	9.2:1	1372cc	57kW (78)PS	⁴ TD9728	⁵ 911	
160 A1.000	4 Cyl.	9.2:1	1372cc	52-56kW (71-76)PS	TD1015	911	
836 A4.000	4 Cyl.	9.2:1	1372cc	51kW (69)PS	TD893	912	

TB305 138x15	TBK027 Component No:TB305;AE1008TP	CAM719			FOL104 (x8) [8]
[8] Mechanical	[8] Mécanique	[8] Meccanica			[8] Mecánico

V91300 ¹³	7609772	¹⁴	¹⁵	¹⁶	¹⁷	¹⁸	45°	¹⁹	²⁰	²¹	VAG92366 ¹³	²⁴
37.50 x 8.00 x 108.50	4315062			MB			45°				46.50 x 8.00 x 14.10	
V90071 ¹³	4315062			MD cr			45°					
30.99 x 8.00 x 109.09				MD cr			45°					
V91713 ¹³	4315062			MD cr			45°					
31.00 x 8.00 x 109.00												






- ¹ Infotafel
- ² Bohrung
- ³ Motordetails
- ⁴ TecDoc-Nr. / F-M Motornummer
- ⁵ Entsprechende Infotafel für Motorblock
- ⁶ Steuerriemen, Teilenummern
Anzahl der Zähne x Riemenbreite
- ⁷ Steuerriemensätze, Teilenummern
- ⁸ Nockenwellen, Teilenummern
- ⁹ Nockenwellensätze, Teilenummern
- ¹⁰ Kipphebel, Teilenummern
(erforderliche Anzahl pro Motor in Klammern)
- ¹¹ Stößel und Druckstücke,
Teilenummern
(erforderliche Anzahl pro Motor in Klammern)
- ¹² Ventile, Teilenummern
- ¹³ Einbauseite
- ¹⁴ Ventilabmessungen
- ¹⁵ Ventil-OE-Bezeichnung
- ¹⁶ Materialcode
- ¹⁷ Ventilschaftbeschichtung
- ¹⁸ Kegelstückkonstruktion
- ¹⁹ Sitzwinkel
- ²⁰ Sitzbehandlung
- ²¹ Ventilenendenbehandlung
- ²² Ventilführungsbezeichnungen
- ²³ Ventilführungsform
- ²⁴ Ventilführungsabmessungen






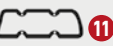







MATERIALCODE	BAUART	KOPF	SCHAFT	PASSEND FÜR
MB	Monometall	Martensitischer Chrom-Silizium-Legierungsstahl	k. A.	Einlassventile (für Otto- und Dieselmotoren) und für Schäfte in bimetalischen Auslassventile
MD	Monometall	Austenitischer Chrom-Mangan-Nickel-Stahl	k. A.	Auslassventile, Einsatz bis max. 750 °C
ME	Bimetall	Austenitischer Chrom-Mangan-Nickel-Stahl mit Zusatz von Niobium, Wolfram und Stickstoff	MB	Hochleistungs-Auslassventile, Einsatz bis max. 780 °C
MF	Bimetall	Nimonic™, nickelbasierte Superlegierung mit Zusatz von Chrom, Cobalt und Titan	MB	Auslassventile; gute mechanische Festigkeit, Ermüdungsfestigkeit, Erosions- und Korrosionsbeständigkeit Einsatz bis max. 820 °C
MG	Bimetall	MD	MB	Auslassventile, Einsatz bis max. 750 °C


KURZZEICHEN AUSSTATTUNG	BESCHREIBUNG
cr	Chrombeschichteter Ventilschaft
tu	Tufride-behandelter/nitrierter Schaft
ss	Geschweißter Stellitventilsitz
Y	Gehärteter Ventilsitz
st	Geschweißte Stellitspitze
H	Gehärtete Ventilspitze












SO BENUTZEN SIE DIESEN KATALOG

FIAT GROUP

172 	80.50 	Petrol				
159 A2.000 	4 Cyl.	9.2:1	1372cc	57kW (78)PS	4 TD9728	911 
160 A1.000	4 Cyl.	9.2:1	1372cc	52-56kW (71-76)PS	TD1015	911
836 A4.000	4 Cyl.	9.2:1	1372cc	51kW (69)PS	TD893	912

 6	 7	 8	 9	 10	 11	 12	 13
BR620 Fibre Composite	DR620	GR620	HBS051 	JD146  JF150	JP049  (Cork) JN805 	HR363 	NA5187 30.00x52.00x7.00mm ACM












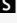






BR620

- 1** Infotafel
- 2** Bohrung
- 3** Motordetails
- 4** TecDoc-Nr. / F-M Motornummer
- 5** Entsprechende Infotafel für Motorblock
- 6 ZYLINDERKOPFDICHTUNG**
 -  = Links
 -  = Rechts
 -  = Kolbenüberstand
 - 0,50 mm = Dicke
 - 1 Öffnung = Kennzeichnung
- 7 ZYLINDERKOPFDICHTUNGSSATZ**
 -  = Ohne Zylinderkopfdichtung
 -  = Ohne Dichtringe
 -  = Ohne Ventildeckeldichtung
 -  = Ohne Ventilschaftdichtringe
- 8 VOLLSTÄNDIGER SATZ**
 -  = Ohne Zylinderkopfdichtung
 -  = Ohne Dichtringe
 -  = Ohne Ventildeckeldichtung
 -  = Ohne Ventilschaftdichtringe

9 ZYLINDERKOPFSCHRAUBENSATZ

 Zylinderkopfschrauben-Form

	
 Außensechskant	 Innensechskant
	
 Außenvielzahn	 Innenvielzahn
	
 Außentorx	 Innentorx
	
 Sechskantbund	 Außensechskant-Keilzahn (Ribe-CV®)*

- 10 AUSPUFFKRÜMMERDICHTUNG**
- Links = 
 - Rechts = 
 - Satz = 
 - Einlass = 
 - Auslass = 
 - Oben = 
 - Unten = 
- 11 VENTILDECKELDICHTUNG**
- Links = 
 - Rechts = 
 - Einlass = 
 - Auslass = 
 - Satz = 
- 12 VENTILSCHAFTDICHTUNG**
- Satz = 
 - Einlass = 
 - Auslass = 
- 13 NOCKENWELLEN-ÖLDICHTUNGEN**
- Vorn = 
 - Hinten = 

*Ribe-CV® ist ein eingetragenes Warenzeichen der Richard Bergner GmbH & Co.

SO BENUTZEN SIE DIESEN KATALOG

DE



FIAT GROUP

898 ¹	80.00 ²	Petrol				
AR 00548 ³	4 Cyl.	1779cc	83-97kW (113-132)PS	⁴	TD18	152 ⁵
AR 01608	4 Cyl.	1779cc	87-89kW (118-121)PS		TD5340	154
AR 01608 X	4 Cyl.	1779cc	85kW (115)PS		TD33	155
AR 01678	4 Cyl.	1779cc	88-90kW (120-122)PS		TD38	154
AR 06168	4 Cyl.	1779cc	88kW (120)PS		TD54	157
AR 06202	4 Cyl.	1779cc	85-89kW (116-121)PS		TD55	157
AR 61102	4 Cyl. 9:1	1779cc	88kW (120)PS		TD10149	157

<p>87-528500-00 STD ⁶</p> <p>A 33.25 B- 13.35 D 80.10 22x69</p>	<p>08-528500-00 STD ⁷</p> <p>1.50 CR P 1.75 P 3.50 P</p>	<p>15-632600-00 WH [1] B 85.00 C 152.00 D 98.00 E 107.50</p>	<p>89-528500-00 87-528500-00 + 15-632600-00 ¹¹</p>
<p>¹² [1] Includes seals [1] Inclut des joints [1] Comprende le guarnizioni [1] Incluye los sellos</p>			

BE/PL	4	49.988/49.998	53.695/53.708	23.440	1.838	0.021/0.069	BS	60010CP	71-4168/4 STD 0.25 0.50
MB/HL 1,3,5	3	59.960/59.973	63.657/63.676	25.530	1.837	0.020/0.067	BS	60011CP	H1030/5 STD 0.25 0.50
MB/HL 2,4	2	59.960/59.973	63.657/63.676	18.360	1.837	0.020/0.067	BS	60012CP	
TW/A	4	65.786/66.040	82.423/82.677		2.362		AL-LF	2777AF	A178/4 STD

- ¹ Infotafel
- ² Bohrung
- ³ Motordetails
- ⁴ TecDoc-Nr. / F-M Motornummer
- ⁵ Entsprechende Infotafel für Zylinderkopf
- ⁶ Kolben, Teilnummern
 - A = Kompressionshöhe
 - B = Muldentiefe/Bodenhöhe
 - BØ = Muldendurchmesser
 - C = Ventiltaschentiefe
 - D = Länge
 - RT = Alfin-Einsatz
 - KK = Ölkühlkanal
 - AK = Öldüsenausparung
 - HA = Hartanodisierter Kolbenboden
 - NB = Bolzenbuchse aus Bronze
 - TP = Trapezbleuel
- ⁷ Kolbenringsätze, Teilnummern
 - Ringhöhe
 - Ringbauart
 - Ring-Oberflächenbehandlung
- ⁸ Laufbuchsen, Teilnummern
 - B = Außendurchmesser
 - C = Gesamtlänge
 - D = Bunnndurchmesser
 - E = Bundbreite
 - F = Feuersteghöhe
- ⁹ Laufbuchsentyp
 - D = trocken
 - WH = nass, gehont
 - DH = trocken, gehont
- ¹⁰ Kolbenabbildung und Kokille (falls zutreffend)
- ¹¹ Artikelnummer Einbausatz
- ¹² [] = Technischer Hinweis

SO BENUTZEN SIE DIESEN KATALOG



DE

- 13 Gleitlager, Art und Position
BE/PL = Pleuel(fuß)lager
MB/HL = Hauptlager
TW/A = Druckscheibe
SE/PB = Pleuel(kopf)buchse
CB/NWB = Nockenwellenbuchse
BU = Andere Buchsen
- 14 Satzbestandteile
- 15 Min. und max. Standard-Zapfendurchmesser
- 16 Min. und max. Gehäusebohrungsdurchmesser
- 17 Max. Gleitlagerbreite
- 18 Max. Standardwandstärke
- 19 Ölspalt
- 20 Gleitlagermaterial-Abkürzungen
AL = Stahlrücken Aluminium.....Bi-/Trimetall
B = Messing
BB = Stahlrücken Babbit.....Bimetall
BC = Stahlrücken Gussbronze – ohne Auflage.....Bimetall
BS = Stahlrücken Sinterbronze – ohne Auflage.....Bi-/Trimetall
EC = Stahlrücken Bronze – galvanisiert.....Trimetall
SP = Stahlrücken Bronze – Sputter.....Trimetall
IX = Stahlrücken Aluminium – Polymer
-LF= Bleifrei
- 21 Bauteile, Teilenummern
- 22 Glyco-Satz-Teilenummern und erhältliche Untergrößen
H = Hauptlager
N = Nockenwellenbuchse
A = Druckscheibe
.../4 = Anzahl Paare (Gleitlager) oder Stück (Scheiben/
Buchsen) pro Satz
...H = Axial(flansch)lager



FIAT GROUP			
995	82.60	Diesel	
149 B2.000	4 Cyl.	20:1	1697cc
		42kW (57)PS	TD16864 295
23	24	25	
EV684	JJ298 (Cork) JJ298	NB742 30.00x43.00x8.00mm, ACM NB732 74.00x90.00x10.00mm, FPM	

- 23 **KURBELGEHÄUSESATZ**
▲ = Ohne Zylinderkopfdichtung
■ = Ohne Dichtringe
☒ = Ohne Ventildeckeldichtung
● = Ohne Ventilschaftdichtringe

- 24 **ÖLWANNENDICHTUNG**
Satz =

- 25 **KURBELWELLEN-
DICHTRING**
Vorn =
Hinten =

COME SI UTILIZZA IL CATALOGO

IT



FIAT GROUP				
172	80.50	Petrol		
159 A2.000	4 Cyl.	9.2:1	1372cc	57kW (78)PS
160 A1.000	4 Cyl.	9.2:1	1372cc	52-56kW (71-76)PS
836 A4.000	4 Cyl.	9.2:1	1372cc	51kW (69)PS

TB305 138x15	TBK027 Component No:TB305;AE1008TP	CAM719			FOL104 (x8) [8]
[8] Mechanical	[8] Mécanique	[8] Meccanico		[8] Mecánico	

12 B x C x D	22 E x F x G																																		
<table border="0"> <tr> <td>V91300 </td> <td>7609772</td> <td></td> <td>45°</td> <td></td> </tr> <tr> <td>37.50 x 8.00 x 108.50</td> <td></td> <td></td> <td>45°</td> <td></td> </tr> <tr> <td>V90071 </td> <td>4315062</td> <td></td> <td>45°</td> <td></td> </tr> <tr> <td>30.99 x 8.00 x 109.09</td> <td></td> <td></td> <td></td> <td></td> </tr> <tr> <td>V91713 </td> <td>4315062</td> <td></td> <td></td> <td></td> </tr> <tr> <td>31.00 x 8.00 x 109.00</td> <td></td> <td></td> <td></td> <td></td> </tr> </table>	V91300	7609772		45°		37.50 x 8.00 x 108.50			45°		V90071	4315062		45°		30.99 x 8.00 x 109.09					V91713	4315062				31.00 x 8.00 x 109.00					<table border="0"> <tr> <td>VAG92366 </td> <td></td> </tr> <tr> <td>46.50 x 8.00 x 14.10</td> <td></td> </tr> </table>	VAG92366		46.50 x 8.00 x 14.10	
V91300	7609772		45°																																
37.50 x 8.00 x 108.50			45°																																
V90071	4315062		45°																																
30.99 x 8.00 x 109.09																																			
V91713	4315062																																		
31.00 x 8.00 x 109.00																																			
VAG92366																																			
46.50 x 8.00 x 14.10																																			







- 1 N. Pannello
- 2 Alesaggio
- 3 Dati motore
- 4 TecDoc / F-M N. motore
- 5 Numero pannello corrispondente alla parte bassa motore
- 6 Riferimenti cinghia di distribuzione N.di denti x larghezza cinghia
- 7 Riferimenti kit cinghia di distribuzione
- 8 Riferimenti albero a camme
- 9 Riferimenti kit albero a camme
- 10 Riferimenti bilanciere (tra parentesi quantità richiesta per motore)
- 11 Riferimenti punterie e piattelli (tra parentesi quantità richiesta per motore)
- 12 Riferimenti valvola
- 13 Posizione di montaggio
- 14 Dimensioni valvola
- 15 Riferimento OE valvola
- 16 Codice materiale
- 17 Rivestimento stelo valvola
- 18 Design coppiglia
- 19 Angolo sede
- 20 Trattamento sede
- 21 Trattamento puntale
- 22 Riferimenti guida valvola
- 23 Forma guida valvola
- 24 Dimensioni guida valvola






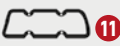



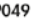


CODICE MATERIALE	TIPO	TESTA	STELO	ADATTO A
MB	Monometallo	Acciaio martensitico cromo-silicio	n/d	Valvole di aspirazione diesel e benzina e per steli in valvole di aspirazione bimetalliche
MD	Monometallo	Acciaio nichel-manganese-cromo Austenitico	n/d	Valvole di scarico per temperature fino a 750°C
ME	Bimetallo	Acciaio nichel-manganese-cromo Austenitico con niobio, tungsteno e azoto in lega	MB	Valvole di scarico per applicazioni pesanti per temperature fino a 780°C
MF	Bimetallo	Nimonic™, lega super a base di nichel con cromo, cobalto e titanio in lega	MB	Valvole di scarico; buona resistenza meccanica, resistenza a fatica, erosione e corrosione. Per temperature fino a 820°C
MG	Bimetallo	MD	MB	Valvole di scarico per temperature fino a 750°C

CODICE CARATTERISTICHE	DESCRIZIONE
cr	Strato di cromo sullo stelo di valvola
tu	Valvola Carbotritura
ss	Sede saldata in stellite
Y	Sede valvola rinforzata
st	Puntale saldato in Stellite
H	Puntale valvola rinforzato

COME SI UTILIZZA IL CATALOGO

FIAT GROUP

172 	80.50 	Petrol				
159 A2.000 	4 Cyl.	9.2:1	1372cc	57kW (78)PS	TD9728 	911 
160 A1.000	4 Cyl.	9.2:1	1372cc	52-56kW (71-76)PS	TD1015	911
836 A4.000	4 Cyl.	9.2:1	1372cc	51kW (69)PS	TD893	912

							
BR620 Fibre Composite	DR620	GR620	HBS051 	JD146 JF150	JP049  (Cork) JN805 	HR363 	NA5187 30.00x52.00x7.00mm ACM



BR620

1 N. Pannello


2 Alesaggio


3 Dati motore


4 TecDoc / F-M N. motore

5 Numero pannello corrispondente alla parte superiore del motore

6 GUARNIZIONE TESTA CILINDRO

 = Sinistra


 = Destra


 = Sporgenza pistone


0.50mm = spessore


1 foro = segno di identificazione

7 KIT TESTA


 = Senza guarnizione testa cilindro

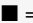
 = Senza guarnizioni

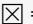
 = Senza guarnizione coperchio valvola


 = Senza guarnizioni stelo valvola

8 KIT COMPLETO


 = Senza guarnizione testa cilindro

 = Senza guarnizioni


 = Senza guarnizione coperchio valvola

 = Senza guarnizioni stelo valvola


9 KIT VITI TESTA

 Forma viti testa




 Maschio esagonale




 Femmina esagonale




 Maschio a stella




 Femmina a stella




 Torx maschio




 Torx femmina




 Collare esagonale





 Femmina scanalata (Ribe-CV®)*

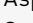
*Ribe-CV® è un marchio registrato di Richard Bergner GmbH & Co.

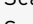
10 GUARNIZIONE COLLETTORE

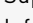
Sinistra = 

Destra = 

Kit = 


Aspirazione = 


Scarico = 


Superiore = 


Inferiore = 


11 GUARNIZIONE COPERCHIO VALVOLA

Sinistra = 


Destra = 

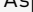
Aspirazione = 


Scarico = 

Kit = 

12 GUARNIZIONE STELO VALVOLA


Kit = 

Aspirazione = 

Scarico = 

13 PARAOLIO ALBERO A CAMME

Anteriore = 

Posteriore = 

COME SI UTILIZZA IL CATALOGO

IT



FIAT GROUP

898 ¹	80.00 ²	Petrol				
AR 00548 ³	4 Cyl.	1779cc	83-97kW (113-132)PS	⁴	TD18	152 ⁵
AR 01608	4 Cyl.	1779cc	87-89kW (118-121)PS		TD5340	154
AR 01608 X	4 Cyl.	1779cc	85kW (115)PS		TD33	155
AR 01678	4 Cyl.	1779cc	88-90kW (120-122)PS		TD38	154
AR 06168	4 Cyl.	1779cc	88kW (120)PS		TD54	157
AR 06202	4 Cyl.	1779cc	85-89kW (116-121)PS		TD55	157
AR 61102	4 Cyl.	9:1	1779cc		TD10149	157

<p>87-528500-00 STD</p> <p>⁶</p> <p>A 33.25 B- 13.35 D 80.10 22x69</p>	<p>08-528500-00 STD</p> <p>⁷</p> <p>1.50 CR P 1.75 P 3.50 P</p>	<p>15-632600-00 WH [1]</p> <p>B 85.00 C 152.00 D 98.00 E 107.50</p> <p>⁸ ⁹</p>	<p>89-528500-00 87-528500-00 + 15-632600-00</p> <p>¹¹</p>
<p>¹²</p> <p>[1] Includes seals</p>	<p>[1] Inclut des joints</p>	<p>[1] Comprende le guarnizioni</p>	<p>[1] Incluye los sellos</p>

BE/PL	4	49.988/49.998	53.695/53.708	23.440	1.838	0.021/0.069	BS	60010CP	71-4168/4 STD 0.25 0.50
MB/HL 1,3,5	3	59.960/59.973	63.657/63.676	25.530	1.837	0.020/0.067	BS	60011CP	H1030/5 STD 0.25 0.50
MB/HL 2,4	2	59.960/59.973	63.657/63.676	18.360	1.837	0.020/0.067	BS	60012CP	
TW/A	4	65.786/66.040	82.423/82.677		2.362		AL-LF	2777AF	A178/4 STD

- ¹ N. Pannello
- ² Alesaggio
- ³ Dati motore
- ⁴ TecDoc / F-M N. motore
- ⁵ Numero pannello corrispondente alla parte superiore del motore
- ⁶ Codice Pistone
 - A = altezza di compressione
 - B = profondità camera di combustione /sporgenza testa
 - BØ = diametro camera di combustione
 - C = profondità sede valvola
 - D = Lunghezza
 - RT = inserto Alfin
 - KK = galleria di raffreddamento olio
 - AK = nicchia getto olio
 - HA = rivestimento anodizzato sul cielo
 - NB = boccola foro spinotto
 - TP = biella trapezoidale
- ⁷ Codice set segmenti
 - Larghezza segmento
 - Forma segmento
 - Treatmento superficiale segmento
- ⁸ Codice canna
 - B = diametro esterno
 - C = lunghezza totale
 - D = diametro flangia
 - E = larghezza flangia
 - F = altezza parafiamma fiamma
- ⁹ Tipo canna
 - D = A Secco
 - WH = Riportata in Umido
 - DH = Riportata a Secco
- ¹⁰ Immagine pistone e numero di fusione (dove applicabile)
- ¹¹ Codice gruppo kit
- ¹² [] = Note tecniche

COME SI UTILIZZA IL CATALOGO



IT

- 13 Tipo e posizione cuscinetto
BE/PL = Cuscinetto (testa di) biella
MB/HL = Cuscinetto di banco
TW/A = Spallamenti
SE/PB = Boccola spinotto pistone (piede di biella)
CB/NWB = Boccola albero a camme
BU = Altre boccole
- 14 Composizione set
- 15 Diametro perno di banco standard minimo e massimo
- 16 Diametro alesaggio sede minimo e massimo
- 17 Larghezza massima del cuscinetto
- 18 Spessore parete standard massimo
- 19 Passaggio olio
- 20 Codici materiale cuscinetti
AL = Alluminio su supporto in acciaio.....Bi-/Trimetallico
B = Ottone
BB = Lega antiattrito fondo acciaio.....Bimetallico
BC = Bronzo su supporto in acciaio -
no rivestimento.....Bimetallico
BS = Bronzo sinterizzato con supporto in acciaio -
no rivestimento.....Bi-/Trimetallico
EC = Bronzo su supporto in acciaio -
elettrodepostoTrimetallico

- SP = Bronzo su supporto in acciaio -
processo sputter.....Trimetallico
- IX = Alluminio su supporto in acciaio - Polimerico
- LF= Senza piombo
- 24 Codice componente
- 22 Codice kit Glyco e misure (sottodimensionate) disponibili
H = Cuscinetto di banco
N = Boccola albero a camme
A = Spallamento
.../4 = Numero coppie (di cuscinetti) o pezzi (spallamenti/
boccole) per ciascun set
...H = Cuscinetto di spinta (flangiato)



FIAT GROUP					
995	82.60	Diesel			
149 B2.000	4 Cyl.	20:1	1697cc	42kW (57)PS	TD16864 295
23	24	25			
EV684	JJ298 (Cork) JJ298	NB742 30.00x43.00x3.00mm, ACM NB732 74.00x90.00x10.00mm, FPM			

- 23 **SERIE COMPLEMENTARE**
▲ = Senza guarnizione testa cilindro
■ = Senza guarnizioni
☒ = Senza guarnizione coperchio valvola
● = Senza guarnizioni stelo valvola

- 24 **GUARNIZIONE COPPA OLIO**
Kit =

- 25 **GUARNIZIONE ALBERO MOTORE**
Anteriore =
Posteriore =

COMMENT SE SERVIR DE CE CATALOGUE

FR



FIAT GROUP

172 1		80.50 2		Petrol			
159 A2.000 3	4 Cyl.	9.2:1	1372cc	57kW (78)PS	4 TD9728	911 5	
160 A1.000	4 Cyl.	9.2:1	1372cc	52-56kW (71-76)PS	TD1015	911	
836 A4.000	4 Cyl.	9.2:1	1372cc	51kW (69)PS	TD893	912	
6	7	8	9	10	11		
TB305 138x15	TBK027 Component No:TB305;AE1008TP	CAM719			FOL104 (x8) [8]		
[8] Mechanical	[8] Mécanique	[8] Meccanico	[8] Mecánico				
12	OE	18	19	20	21	22	23
V91300 13	7609772	MB	45°	H		VAG92366 13	
37.50 x 8.00 x 108.50 14	15	MD cr	45°			46.50 x 8.00 x 14.10 24	
V90071 13	4315062	MD cr	45°				
30.99 x 8.00 x 109.09		MD cr					
V91713 13	4315062	MD cr	45°				
31.00 x 8.00 x 109.00							







- 1 N° d'encadré
- 2 Taille d'alésage
- 3 Détail du moteur
- 4 Numéro moteur F-M / Numéro TecDoc
- 5 N° d'encadré bas moteur correspondant
- 6 Références de courroie de distribution
Nbre de dents x largeur courroie
- 7 Références de kits de courroie de distribution
- 8 Références d'arbres à came
- 9 Références de kit d'arbres à came
- 10 Références de culbuteur
(quantité moteur exigée entre parenthèses)
- 11 Références patin de butée et poussoir à tige (quantité moteur exigée entre parenthèses)
- 12 Référence de soupape
- 13 Position de montage
- 14 Dimensions de soupape
- 15 Référence OE de soupape
- 16 Code du matériau
- 17 Revêtement de la tige de soupape
- 18 Modèle à goupille
- 19 Angle du siège
- 20 Traitement du siège
- 21 Traitement de pointe
- 22 Référence du guide de soupape
- 23 Forme du guide de soupape
- 24 Dimensions du guide de soupape






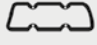






CODE DU MATÉRIAU	TYPE	TÊTE	TIGE	VALABLE POUR
MB	Mono-métallique	Acier d'alliage silicone-chrome martensitique	S/O	Soupapes d'admission essence et diesel, et pour tiges des soupapes d'échappement bimétallique
MD	Mono-métallique	Acier nickel - manganèse - chrome austénitique	S/O	Soupapes d'échappement fonctionnant jusqu'à 750 °C
ME	Bimétallique	Acier nickel - manganèse - chrome austénitique avec niobium, tungstène et azote ajouté.	MB	Soupapes d'échappement haut de gamme fonctionnant jusqu'à 780 °C
MF	Bimétallique	Nimonic™, super alliage à base de nickel avec ajout de chrome, cobalt et titane.	MB	Soupapes d'échappement ; bonne résistance mécanique, à la fatigue, à l'érosion et à la corrosion. Fonctionnant jusqu'à 820 °C
MG	Bimétallique	MD	MB	Soupapes d'échappement fonctionnant jusqu'à 750 °C


CODE CARACTÉRISTIQUE	DESCRIPTION
cr	Couche de chrome sur tige de soupape
tu	Soupape Nitrurée
ss	Siège soudé Stellite
Y	Siège de soupape durci
st	Pointe soudée Stellite
H	Pointe de soupape durcie












COMMENT SE SERVIR DE CE CATALOGUE

FIAT GROUP


172 	 80.50	Petrol			
159 A2.000 	4 Cyl.	9.2:1	1372cc	57kW (78)PS	 TD9728  911
160 A1.000	4 Cyl.	9.2:1	1372cc	52-56kW (71-76)PS	TD1015 911
836 A4.000	4 Cyl.	9.2:1	1372cc	51kW (69)PS	TD893 912









							
BR620 Fibre Composite	DR620	GR620	HBS051 	JD146 JF150	JP049  (Cork) JN805 	HR363 	NA5187 30.00x52.00x7.00mm ACM







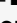











BR620

- 1** N° d'encadré
- 2** Taille d'alésage
- 3** Détail du moteur
- 4** Numéro moteur F-M / Numéro TecDoc
- 5** N° d'encadré bas moteur correspondant
- 6 JOINT DE CULASSE**
 -  = Gauche
 -  = Droite
 -  = Saillie piston
 - 0,50 mm = épaisseur
 - 1 trou = marque d'identification
- 7 ENSEMBLE CULASSE**
 -  = Sans joint de culasse
 -  = Sans bagues d'étanchéité
 -  = Sans joint de couvre culasse
 -  = Sans joints de tige de soupape
- 8 ENSEMBLE COMPLET**
 -  = Sans joint de culasse
 -  = Sans bagues d'étanchéité
 -  = Sans joint de couvre culasse
 -  = Sans joints de tige de soupape

9 JEU VIS DE CULASSE

 Forme de vis de culasse

 Hexagonale	 Hexagonale type "Allen"
 Cannelée	 Cannelée intérieure / femelle
 Etoile "Tork" mâle	 Etoile "Tork" intérieure / femelle
 Vis hexagonale à embase	 Femelle à cannelure (Ribe-CV®)*

- 10 JOINT COLLECTEUR**
- Gauche = 
 - Droite = 
 - Jeu = 
 - Admission = 
 - Échappement = 
 - Supérieur = 
 - Inférieur = 
- 11 JOINT DE COUVRE CULASSE**
- Gauche = 
 - Droite = 
 - Admission = 
 - Échappement = 
 - Jeu = 
- 12 JOINT DE TIGE DE SOUPE**
- Jeu = 
 - Admission = 
 - Échappement = 
- 13 BAGUES D'ÉTANCHÉITÉ D'ARBRE À CAMES**
- Avant = 
 - Arrière = 

*Ribe-CV® est une marque enregistrée de Richard Bergner GmbH & Co.

COMMENT SE SERVIR DE CE CATALOGUE

FR



FIAT GROUP

898 ¹	80.00 ²	Petrol				
AR 00548 ³	4 Cyl.	1779cc	83-97kW (113-132)PS	⁴	TD18	152 ⁵
AR 01608	4 Cyl.	1779cc	87-89kW (118-121)PS		TD5340	154
AR 01608 X	4 Cyl.	1779cc	85kW (115)PS		TD33	155
AR 01678	4 Cyl.	1779cc	88-90kW (120-122)PS		TD38	154
AR 06168	4 Cyl.	1779cc	88kW (120)PS		TD54	157
AR 06202	4 Cyl.	1779cc	85-89kW (116-121)PS		TD55	157
AR 61102	4 Cyl.	9:1	1779cc	88kW (120)PS	TD10149	157

<p>87-528500-00 STD</p> <p>⁶</p> <p>A 33.25 B- 13.35 D 80.10 Bø 22x69</p>	<p>08-528500-00 STD</p> <p>⁷</p> <p>1.50 CR P 1.75 P 3.50 P</p>	<p>15-632600-00 WH [1]</p> <p>B 85.00 C 152.00 D 98.00 E 107.50</p> <p>⁸ ⁹</p>	<p>89-528500-00 87-528500-00 + 15-632600-00</p> <p>¹¹</p>
--	--	--	--

¹²
[1] Includes seals [1] Inclut des joints [1] Comprende le guarnizioni [1] Incluye los sellos

BE/PL	4	49.988/49.998	53.695/53.708	23.440	1.838	0.021/0.069	BS	60010CP	71-4168/4 STD 0.25 0.50
MB/HL 1,3,5	3	59.960/59.973	63.657/63.676	25.530	1.837	0.020/0.067	BS	60011CP	H1030/5 STD 0.25 0.50
MB/HL 2,4	2	59.960/59.973	63.657/63.676	18.360	1.837	0.020/0.067	BS	60012CP	
TW/A	4	65.786/66.040	82.423/82.677		2.362		AL-LF	2777AF	A178/4 STD

- ¹ N° d'encadré
- ² Taille d'alésage
- ³ Détail du moteur
- ⁴ Numéro moteur F-M / Numéro TecDoc
- ⁵ N° d'encadré haut moteur correspondant
- ⁶ Référence du piston
 - A = Hauteur d'axe
 - B = Profondeur de la chambre / Hauteur du bossage
 - Bø = Diamètre de la chambre du piston
 - C = Passage de la soupape
 - D = Longueur totale
 - RT = Piston à porte-segments
 - KK = Canal de refroidissement
 - AK = Dégagement pour gicleur d'huile de refroidissement
 - HA = Tête endurcie par oxydation
 - NB = Bague en bronze
 - TP = Bielle trapézoïdale
- ⁷ Référence du jeu de segments
 - Largeur de segment
 - Schémas des segments
 - Traitement de surface
- ⁸ Référence de chemise
 - B = Diamètre extérieur
 - C = Longueur totale
 - D = Diamètre bride
 - E = Largeur de collerette
 - F = Hauteur de parefeu
- ⁹ Type chemise
 - D = Sèche
 - WH = Traitée au sable humide
 - DH = Traitée au sable sec
- ¹⁰ Image piston et numéro coquille (le cas échéant)
- ¹¹ Référence du kit d'assemblage
- ¹² [] = Note technique



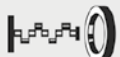

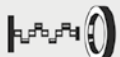
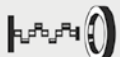
COMMENT SE SERVIR DE CE CATALOGUE




FR

- 13** Type et emplacement du coussinet
 BE/PL = Coussinet de bielle (tête de bielle)
 MB/HL = Coussinet de palier
 TW/A = Flasque de butée
 SE/PB = Bague de bielle
 CB/NWB = Bague d'arbre à cames
 BU = Autres bagues
- 14** Composition du jeu de coussinet
- 15** Diamètre minimum et maximum de maneton standard
- 16** Diamètre minimum et maximum d'alésage du logement
- 17** Largeur maximale de coussinet
- 18** Épaisseur maximale de standard
- 19** Jeu de fonctionnement
- 20** Codification des matériaux de coussinets
 AL = Aluminium sur support acier..... Bi/trimétallique
 B = Laiton
 BB = Etain-plomb sur support acier..... Bimétallique
 BC = Bronze coulé sur support acier - sans revêtement..... Bimétallique
 BS = Bronze fritté sur support acier - sans revêtement..... Bi/trimétallique
 EC = Bronze sur support acier - électrolytique..... Trimétallique
- SP = Bronze sur support acier - pulvérisé..... Trimétallique
 IX = Aluminium sur support acier - polymère
 -LF= Sans plomb
- 21** Référence du composant
- 22** Référence du jeu Glyco et cotes réparation disponibles
 H = Coussinet de palier
 N = Bague d'arbre à cames
 A = Flasque de butée
 .../4 = Paires (coussinets) ou pièces (flasques de butées/ bagues) par jeu
 ...H = Roulement de butée (à bride)



FIAT GROUP					
995	82.60	Diesel			
149 B2.000	4 Cyl.	20:1	1697cc	42kW (57)PS	TD16864 295
 23	 24	 25			
EV684	JJ298 (Cork)  JJ298	NB742  30.00x43.00x3.00mm, ACM NB732  74.00x90.00x10.00mm, FPM			

- 23**  **POCHETTE COMPLÉMENT**
 ▲ = Sans joint de culasse
 ■ = Sans bagues d'étanchéité
 ☒ = Sans joint de couvre culasse
 ● = Sans joints de tige de soupape

- 24** **JOINT DE CARTER D'HUILE**
 Pochette = 

- 25** **BAGUE D'ÉTANCHÉITÉ DE VILEBREQUIN**
 Avant = 
 Arrière = 

CÓMO UTILIZAR ESTE CATÁLOGO

ES



FIAT GROUP

172 ¹	80.50 ²	Petrol			
159 A2.000 ³	4 Cyl.	9.2:1	1372cc	57kW (78)PS	4 TD9728 911 5
160 A1.000	4 Cyl.	9.2:1	1372cc	52-56kW (71-76)PS	TD1015 911
836 A4.000	4 Cyl.	9.2:1	1372cc	51kW (69)PS	TD893 912

6	7	8	9	10	11
TB305 138x15	TBK027 Component No:TB305;AE1008TP	CAM719			FOL104 (x8) [8]
[8] Mechanical	[8] Mécanique	[8] Meccanico		[8] Mecánico	

12 B x C x D	OE	MAT.	45°	H	22 E x F x G
V91300 13	7609772	18	19	20	VAG92366 13
37.50 x 8.00 x 108.50 14	15	MB	45°	21	46.50 x 8.00 x 14.10 24
V90071 13	4315062	MD cr	45°		23
30.99 x 8.00 x 109.09		MD cr			
V91713	4315062				
31.00 x 8.00 x 109.00					


- 1** N.º panel
- 2** Diámetro del cilindro
- 3** Datos del motor
- 4** Número motor F-M / TecDoc
- 5** Número de panel del motor correspondiente
- 6** Referencias de las correas de distribución
N.º de dientes x anchura de la correa
- 7** Referencias del kit de correas de distribución
- 8** Referencias del árbol de levas
- 9** Referencias del kit de levas
- 10** Referencias de balancín (cantidad necesaria para el motor, entre paréntesis)
- 11** Referencias de pastillas de empuje y taqués (cantidad necesaria para el motor, entre paréntesis)
- 12** Referencias de válvula
- 13** Posición de montaje
- 14** Dimensiones de válvula
- 15** Referencia de equipo original de la válvula
- 16** Referencias
- 17** Revestimiento del vástago de la válvula
- 18** Diseño de la chaveta
- 19** Ángulo del asiento
- 20** Tratamiento del asiento
- 21** Tratamiento de la punta del vástago
- 22** Referencias de la guía de válvula
- 23** Forma de la guía de válvula
- 24** Dimensiones de la guía de válvula













REFERENCIA	TIPO	CULATA	VÁSTAGO	ADECUADO PARA
MB	Monometálico	Aleación de acero al cromo-silicio martensítico	N/D	Válvulas de admisión de gasolina y diésel para vástagos de válvulas de escape bimetalicas
MD	Monometálico	Acero austenítico al cromo-manganeso-níquel	N/D	Válvulas de escape que soportan hasta 750 °C
ME	Bimetálico	Acero austenítico al cromo-manganeso-níquel con niobio, tungsteno y nitrógeno	MB	Válvulas de escape para vehículos pesados, rango de temperatura de trabajo de hasta 780 °C
MF	Bimetálico	Nimonic™, superaleación al níquel con cromo, cobalto y titanio	MB	Válvulas de escape de buena resistencia mecánica, con resistencia a la fatiga, la erosión y la corrosión; Rango de temperatura de hasta 820 °C
MG	Bimetálico	MD	MB	Válvulas de escape con rango de temperatura hasta 750 °C


CÓDIGO DE CARACTERÍSTICA	DESCRIPCIÓN
cr	Capa de cromo en el vástago de la válvula
tu	Válvula nitrurada / nitrocarbuzada
ss	Asiento Stellite soldado
Y	Asiento de válvula endurecido
st	Punta Stellite soldada
H	Punta de válvula endurecida





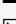



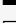

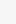
CÓMO UTILIZAR ESTE CATÁLOGO

FIAT GROUP

172 1	80.50 2	Petrol			
159 A2.000 3	4 Cyl.	9.2:1	1372cc	57kW (78)PS	4 TD9728 911 5
160 A1.000	4 Cyl.	9.2:1	1372cc	52-56kW (71-76)PS	TD1015 911
836 A4.000	4 Cyl.	9.2:1	1372cc	51kW (69)PS	TD893 912

 6	 7	 8	 9	 10	 11	 12	 13
BR620 Fibre Composite	DR620	GR620	HBS051 	JD146 JF150	JP049  (Cork) JN805 	HR363 	NA5187 30.00x52.00x7.00mm ACM


BR620








- 1** N.º panel
- 2** Diámetro del cilindro
- 3** Datos del motor
- 4** Número motor F-M / TecDoc
- 5** Número de panel de la parte inferior del motor correspondiente
- 6** **JUNTA DE CULATA**
 -  = Izquierda
 -  = Derecha
 -  = Protrusión del pistón
 - 0.50 mm = Grosor
 - 1 orificio = Marca de identificación
- 7** **CONJUNTO DE CULATA**
 -  = Sin junta de culata
 -  = Sin juntas
 -  = Sin junta de cubierta de la válvula
 -  = Sin juntas del vástago de la válvula
- 8** **CONJUNTO COMPLETO**
 -  = Sin junta de culata
 -  = Sin juntas
 -  = Sin junta de cubierta de la válvula
 -  = Sin juntas del vástago de la válvula

9 CONJUNTO DE TORNILLOS DE CULATA






-  Forma de tornillos
-  Macho hex.
-  Hembra hex.
-  Macho estrella
-  Hembra estrella
-  Macho torx
-  Hembra torx
-  Hexágono con anillo
-  Hembra acanalada (Ribe-CV®)*

*Ribe-CV® es una marca comercial registrada de Richard Bergner GmbH & Co.




10 JUNTA DEL COLECTOR

- Izquierda = 
- Derecha = 
- Conjunto = 
- Admisión = 
- Escape = 
- Parte superior = 
- Parte inferior = 


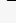
11 JUNTA DE CUBIERTA DE LA VÁLVULA

- Izquierda = 
- Derecha = 
- Admisión = 
- Escape = 
- Conjunto = 

12 JUNTA DEL VÁSTAGO DE LA VÁLVULA

- Conjunto = 
- Admisión = 
- Escape = 

13 RETENES DE ACEITE DEL ÁRBOL DE LEVAS

- Parte delantera = 
- Parte trasera = 

CÓMO UTILIZAR ESTE CATÁLOGO

ES



FIAT GROUP

898 ¹	80.00 ²	Petrol				
AR 00548 ³	4 Cyl.	1779cc	83-97kW (113-132)PS	⁴	TD18	152 ⁵
AR 01608	4 Cyl.	1779cc	87-89kW (118-121)PS		TD5340	154
AR 01608 X	4 Cyl.	1779cc	85kW (115)PS		TD33	155
AR 01678	4 Cyl.	1779cc	88-90kW (120-122)PS		TD38	154
AR 06168	4 Cyl.	1779cc	88kW (120)PS		TD54	157
AR 06202	4 Cyl.	1779cc	85-89kW (116-121)PS		TD55	157
AR 61102	4 Cyl. 9:1	1779cc	88kW (120)PS		TD10149	157

<p>87-528500-00 STD</p> <p>⁶</p> <p>A 33.25 B- 13.35 D 80.10 Ø = 22x69</p>	<p>08-528500-00 STD</p> <p>⁷</p> <p>1.50 CR P 1.75 P 3.50 P</p>	<p>15-632600-00 WH [1]</p> <p>B 85.00 C 152.00 D 98.00 E 107.50</p> <p>⁸ ⁹</p>	<p>89-528500-00 87-528500-00 + 15-632600-00</p> <p>¹¹</p>
---	--	--	--

¹²
[1] Includes seals [1] Inclut des joints [1] Comprende le guarnizioni [1] Incluye los sellos

BE/PL	4	49.988/49.998	53.695/53.708	23.440	1.838	0.021/0.069	BS	60010CP	71-4168/4 STD 0.25 0.50
MB/HL 1,3,5	3	59.960/59.973	63.657/63.676	25.530	1.837	0.020/0.067	BS	60011CP	H1030/5 STD 0.25 0.50
MB/HL 2,4	2	59.960/59.973	63.657/63.676	18.360	1.837	0.020/0.067	BS	60012CP	
TW/A	4	65.786/66.040	82.423/82.677		2.362		AL-LF	2777AF	A178/4 STD

- ¹ N.º panel
- ² Diámetro del cilindro
- ³ Datos del motor
- ⁴ Número motor F-M / TecDoc
- ⁵ Número de panel de la parte superior del motor correspondiente
- ⁶ Referencia del pistón
 - A = Altura de compresión
 - B = Profundidad de la cabeza / Altura de la corona
 - BØ = Diámetro de la cabeza
 - C = Profundidad asiento de válvula
 - D = Longitud
 - RT = Inserción alfin
 - KK = Conductos de refrigeración de aceite
 - AK = Corte del inyector de aceite
 - HA = Revestimiento duro anodizado en la corona
 - NB = Perno de bronce
 - TP = Cabeza de biela trapezoidal
- ⁷ Referencia del conjunto de segmentos
 - Anchura del segmento
 - Diseño del segmento
 - Tratamiento de la superficie del segmento
- ⁸ Referencia de la camisa
 - B = Diámetro exterior
 - C = Longitud general
 - D = Diámetro de la brida
 - E = Anchura de la brida
 - F = Altura cortafuego
- ⁹ Tipo de camisa
 - D = Seca
 - WH = Pulida húmeda
 - DH = Pulida seca
- ¹⁰ Número de moldeado e imagen del pistón (si procede)
- ¹¹ Referencia del conjunto del kit
- ¹² [] = Nota técnica

CÓMO UTILIZAR ESTE CATÁLOGO



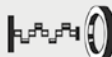






ES

- 13** Tipo de cojinete y posición
 BE/PL = Cojinete de biela
 MB/HL = Cojinete principal
 TW/A = Arandela de empuje
 SE/PB = Casquillo del bulón
 CB/NWB = Casquillo del árbol de levas
 BU = Otros casquillos
- 14** Composición del conjunto
- 15** Diámetro de la muñequilla estándar mínimo y máximo
- 16** Diámetro mínimo y máximo de la carcasa
- 17** Anchura máxima del cojinete
- 18** Grosor estándar máximo de la pared
- 19** Paso de aceite
- 20** Códigos del material del cojinete
 AL = Aluminio con acero.....Bi/trimetálico
 B = Latón
 BB = Antifricción con acero.....Bimetálico
 BC = Bronce fundido con acero -
 sin superposición.....Bimetálico
 BS = Bronce aglomerado con acero -
 sin superposición.....Bi/trimetálico
 EC = Bronce con acero -
 revestimiento electrónico.....Trimetálico

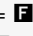

- SP = Bronce con acero -
 pulverización catódica.....Trimetálico
 IX = Aluminio con acero - polímero
 -LF= Sin plomo
- 21** Referencia del componente
- 22** Referencia del conjunto de Glyco y dimensiones disponibles por debajo de la estándar
 H = Cojinete de bancada
 N = Casquillo del árbol de levas
 A = Arandela de empuje
 .../4 = Número de pares (cojinetes) o piezas (arandelas/casquillos) por conjunto
 ...H = Cojinete (brida) de empuje



FIAT GROUP					
995	82.60	Diesel			
149 B2.000	4 Cyl.	20:1	1697cc	42kW (57)PS	TD16864 295
 23	 24	 25			
EV684	JJ298 (Cork)  JJ298	NB742  30.00x43.00x3.00mm, ACM NB732  74.00x90.00x10.00mm, FPM			

- 23**  **JUEGO DE PARTE BAJA**
 ▲ = Sin junta de culata
 ■ = Sin retenes
 ☒ = Sin junta de tapa de válvulas
 ● = Sin retenes de válvula

- 24** **JUNTA DEL CÁRTER**
 Conjunto = 

- 25** **RETÉN DEL CIGÜEÑAL**
 Delantero = 
 Trasero = 

JAK UŻYWAĆ TEGO KATALOGU

PL



FIAT GROUP

172 ¹

80.50 ²

Petrol



159 A2.000 ³	4 Cyl.	9.2:1	1372cc	57kW (78)PS	⁴ TD9728	⁵ 911
160 A1.000	4 Cyl.	9.2:1	1372cc	52-56kW (71-76)PS	TD1015	911
836 A4.000	4 Cyl.	9.2:1	1372cc	51kW (69)PS	TD893	912

⁶	⁷	⁸	⁹	¹⁰	¹¹
TB305 138x15	TBK027 Component No:TB305;AE1008TP	CAM719			FOL104 (x8) [8]
[8] Mechanical	[8] Mécanique	[8] Meccanica			[8] Mecánico

¹² B x C x D	OE	MAT.	¹⁸	¹⁹	²⁰	²¹	²² E x F x G
V91300 ¹³	7609772	¹⁸	45°	¹⁹	²⁰	²¹	VAG92366 ¹³
37.50 x 8.00 x 108.50 ¹⁴	¹⁵	MB	45°	¹⁹	²⁰	²¹	46.50 x 8.00 x 14.10 ²⁴
V90071 ¹³	4315062	MD cr	45°	¹⁹	²⁰	²¹	²³
30.99 x 8.00 x 109.09		MD cr	45°	¹⁹	²⁰	²¹	
V91713 ¹³	4315062	MD cr	45°	¹⁹	²⁰	²¹	
31.00 x 8.00 x 109.00		MD cr	45°	¹⁹	²⁰	²¹	

- ¹ Numer
- ² Średnica cylindra
- ³ Dane silnika
- ⁴ Nr silnika F-M/TecDoc
- ⁵ Odpowiadający numer dołu silnika
- ⁶ Referencje paska rozrządu
Liczba zębów x szerokość paska
- ⁷ Referencje zestawu paska rozrządu
- ⁸ Referencje wałka rozrządu
- ⁹ Referencje zestawu krzywek rozrządu
- ¹⁰ Referencje dźwigiemek zaworowych (wymagane ilości na silnik w nawiasach)
- ¹¹ Referencje popychaczy i płytek oporowych (wymagane ilości na silnik w nawiasach)
- ¹² Referencje zaworów
- ¹³ Pozycja montażu
- ¹⁴ Wymiary zaworu
- ¹⁵ Referencje OE zaworu
- ¹⁶ Kod materiału
- ¹⁷ Powłoka trzpienia zaworu
- ¹⁸ Typ klina poprzecznego
- ¹⁹ Kąt gniazda
- ²⁰ Obróbka gniazda
- ²¹ Obróbka końcówki
- ²² Referencje przewodnicy zaworu
- ²³ Kształt przewodnicy zaworu
- ²⁴ Wymiary przewodnicy zaworu


KOD MATERIAŁU	TYP	GŁOWICA	TRZPIEŃ	ZASTOSOWANIE
MB	Monometal	Martenzytyczna stal chromowokorzeniowa	nd	Zawory dolotowe w silnikach benzynowych i wysokoprężnych oraz do trzpieni w bimetalicznych zaworach wylotowych
MD	Monometal	Austenityczna stal chromowo-niklowo-manganowa	nd	Zawory wydechowe pracujące w temperaturze do 750°C
ME	Bimetal	Austenityczna stal chromowo-niklowo-manganowa z dodatkiem niobu, wolframu i azotu	MB	Bardzo trwałe zawory wydechowe, pracujące w temperaturze do 780°C
MF	Bimetal	Nimonic™, superstop na bazie niklu z dodatkiem chromu, kobaltu i tytanu	MB	Zawory wydechowe, dobra wytrzymałość mechaniczna, odporność na zmęczenie, erozję i korozję. Praca w temperaturze do 820°C
MG	Bimetal	MD	MB	Zawory wydechowe pracujące w temperaturze do 750°C

KOD CECHY	OPIS
cr	Warstwa chromu na trzpieniu zaworu
tu	Zawór węgloazotowany (w procesie Tufftride)/azotowany
ss	Spawane staliowe gniazdo
Y	Utwardzone gniazdo zaworu
st	Spawana końcówka staliowa
H	Hartowana końcówka zaworu

JAK UŻYWAĆ TEGO KATALOGU

FIAT GROUP

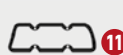
172 1

 **80.50** 2

Petrol



159 A2.000 3	4 Cyl.	9.2:1	1372cc	57kW (78)PS	4 TD9728	911 5
160 A1.000	4 Cyl.	9.2:1	1372cc	52-56kW (71-76)PS	TD1015	911
836 A4.000	4 Cyl.	9.2:1	1372cc	51kW (69)PS	TD893	912



BR620 Fibre Composite

DR620

GR620

HBS051 

JD146

 JF150

JP049 

(Cork)

JN805 

HR363 

NA5187

30.00x52.00x7.00mm ACM



BR620

1 Numer


2 Średnica cylindra


3 Dane silnika


4 Nr silnika F-M/TecDoc

5 Odpowiadający numer dotu silnika

6 **USZCZELKA POD GŁOWICĘ**

 = Lewa


 = Prawa

 = Występ tłoka

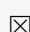
0,50 mm = grubość


1 otwór = oznaczenie identyfikacyjne

7 **ZESTAW GŁOWICY**

 = Bez uszczelki głowicy cylindra

 = Bez uszczelnień

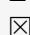
 = Bez uszczelki pokrywy zaworów


 = Bez uszczelniaczy zaworowych

8 **PEŁNY ZESTAW**


 = Bez uszczelki głowicy cylindra

 = Bez uszczelnień


 = Bez uszczelki pokrywy zaworów

 = Bez uszczelniaczy zaworowych


9 **ZESTAW ŚRUB DO GŁOWICY**

 Kształt śruby do głowicy




 Sześciokątna wypustowa




 Sześciokątna gniazdowa



 Gwiazdowa wypustowa




 Gwiazdowa gniazdowa

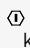


 Torx wypustowa

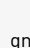


 Torx gniazdowa



 Sześciokątna kotnierzowa




 Wieloklinowa gniazdowa (Ribe-CV®)*


* Ribe-CV® jest zastrzeżonym znakiem handlowym firmy Richard Bergner GmbH & Co.

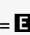
10 **USZCZELKA KOLEKTORA**


Lewa = 


Prawa = 

Zestaw = 

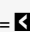
Dolotowe = 

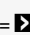
Wydechowe = 

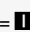
Górne = 

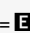
Dolne = 

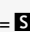
11 **USZCZELKA POKRYWY ZAWORÓW**

Lewa = 

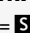
Prawa = 


Dolotowe = 

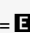
Wydechowe = 

Zestaw = 

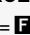
12 **USZCZELNIACZ ZAWORU**

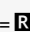
Zestaw = 

Dolotowe = 

Wydechowe = 

13 **USZCZELNIENIA OLEJOWE
WAŁKA ROZRZĄDU**

Przód = 

Tył = 

JAK UŻYWAĆ TEGO KATALOGU

PL



FIAT GROUP

898 ¹	80.00 ²	Petrol				
AR 00548 ³	4 Cyl.	1779cc	83-97kW (113-132)PS	⁴	TD18	152 ⁵
AR 01608	4 Cyl.	1779cc	87-89kW (118-121)PS		TD5340	154
AR 01608 X	4 Cyl.	1779cc	85kW (115)PS		TD33	155
AR 01678	4 Cyl.	1779cc	88-90kW (120-122)PS		TD38	154
AR 06168	4 Cyl.	1779cc	88kW (120)PS		TD54	157
AR 06202	4 Cyl.	1779cc	85-89kW (116-121)PS		TD55	157
AR 61102	4 Cyl.	9:1	1779cc	88kW (120)PS	TD10149	157

<p>87-528500-00 STD</p> <p>⁶</p> <p>A 33.25 B- 13.35 D 80.10 BØ = 22x69</p>	<p>08-528500-00 STD</p> <p>⁷</p> <p>1.50 CR P 1.75 P 3.50 P</p>	<p>15-632600-00 WH [1]</p> <p>B 85.00 C 152.00 D 98.00 E 107.50</p>	<p>89-528500-00 87-528500-00 + 15-632600-00</p> <p>¹¹</p>						
<p>¹²</p> <p>[1] Includes seals [1] Inclut des joints [1] Comprende le guarnizioni [1] Incluye los sellos</p>									
<p>BE/PL ¹³</p>	<p>MB/HL 1,3,5 ¹⁴</p>	<p>MB/HL 2,4 ¹⁵</p>	<p>TW/A ¹⁶</p>	<p>23.440 ¹⁷</p>	<p>1.838 ¹⁸</p>	<p>0.021/0.069 ¹⁹</p>	<p>BS ²⁰</p>	<p>60010CP ²¹</p>	<p>71-4168/4 STD 0.25 0.50 H1030/5 STD 0.25 0.50 A178/4 STD ²²</p>

- ¹ Numer
- ² Średnica cylindra
- ³ Dane silnika
- ⁴ Nr silnika F-M/TecDoc
- ⁵ Odpowiadający numer góry silnika
- ⁶ Dane tłoka
 - A = Wysokość kompresji
 - B = Głębokość czaszy/Wysokość korony
 - BØ = Średnica czaszy
 - C = Głębokość kieszeni zaworu
 - D = Długość
 - RT = Wkładka alfinowa
 - KK = Kanat chłodzenia oleju
 - AK = Wycięcie głowicy olejowej
 - HA = Twarda powłoka anodowana na koronie
 - NB = Tuleja sworznia z brązu
 - TP = Korbwód trapezowy
- ⁷ Referencja zestawu pierścieni
 - Szerokość pierścienia
 - Typ pierścienia
 - Obróbka powierzchni pierścienia
- ⁸ Referencja tulei
 - B = Średnica zewnętrzna
 - C = Długość catkowita
 - D = Średnica kotnierza
 - E = Szerokość kotnierza
 - F = Wysokość krawędzi termicznej
- ⁹ Typ tulei
 - D = Sucha
 - WH = Honowana na mokro
 - DH = Honowana na sucho
- ¹⁰ Obraz tłoka i numer odlewu (jeśli dotyczy)
- ¹¹ Nr referencyjny zestawu
- ¹² [] = Uwaga techniczna



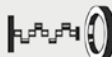

JAK UŻYWAĆ TEGO KATALOGU




PL

- 13** Typ i pozycja łożyska
BE/PL = Łożysko stopy korbowodu
MB/HL = Łożysko główne
TW/A = Podkładka oporowa
SE/PB = Panewka sworznia korbowodu
CB/NWB = Panewka wałka rozrządu
BU = Inne panewki
- 14** Skład zestawu
- 15** Minimalna i maksymalna standardowa średnica czopu
- 16** Minimalna i maksymalna średnica otworu obudowy
- 17** Maksymalna szerokość łożyska
- 18** Maksymalna standardowa grubość ścianki
- 19** Szczelina olejowa
- 20** Kody materiału łożyska
AL = Stal z aluminium.....Bi-/trimetaliczne
B = Mosiądz
BB = Stal z babbitem.....Bimetaliczne
BC = Stal z odlewem z brązu – bez pokrycia...Bimetaliczne
BS = Stal z brązem spiekany –
bez pokrycia.....Bi-/trimetaliczne
EC = Stal z brązem – powlekanie galwaniczne...Trimetallic
SP = Stal z brązem – Sputer.....Trimetallic
IX = Stal z aluminium - polimer
-LF= Bezotowiove
- 21** Referencje składników
- 22** Referencje zestawu Glyco i dostępne podwymiary
H = Łożysko główne
N = Panewka wałka rozrządu
A = Podkładka oporowa
.../4 = Liczba par (łożysk) lub elementów (podkładek/
panewek) na zestaw
...H = Łożysko oporowe (kotnierzowe)



FIAT GROUP					
995	82.60	Diesel			
149 B2.000	4 Cyl.	20:1	1697cc	42kW (57)PS	TD16864 295
 EV684	 JJ298 (Cork)	 NB742 <input type="checkbox"/> 30.00x43.00x3.00mm, ACM NB732 <input type="checkbox"/> 74.00x90.00x10.00mm, FPM			
	 JJ298				

- 23**  **ZESTAW USZCZELEK – DÓŁ SILNIKA**
▲ = Bez uszczelki podgłowicowej
■ = Bez uszczelnień
☒ = Bez uszczelki pokrywy zaworów
● = Bez uszczelnień trzonka zaworu

- 24** **USZCZELKA MISKI OLEJOWEJ**
Komplett =

- 25** **USZCZELNIENIE WAŁU KORBOWEGO**
Przedni =
Tylny =

КАК ПОЛЬЗОВАТЬСЯ КАТАЛОГОМ

RU



FIAT GROUP

172 ¹		80.50 ²		Petrol			
159 A2.000 ³	4 Cyl.	9.2:1	1372cc	57kW (78)PS	4 TD9728	911 ⁵	
160 A1.000	4 Cyl.	9.2:1	1372cc	52-56kW (71-76)PS	TD1015	911	
836 A4.000	4 Cyl.	9.2:1	1372cc	51kW (69)PS	TD893	912	

⁶	⁷	⁸	⁹	¹⁰	¹¹
TB305 138x15	TBK027 Component No:TB305;AE1008TP	CAM719			FOL104 (x8) [8]
[8] Mécanique	[8] Mécanique	[8] Meccanico	[8] Mecánico		

¹²	B x C x D	OE	¹⁸	45°	²¹	H	²²	E x F x G
V91300 ¹³	7609772	¹⁶	45°	¹⁷	45°	VAG92366 ¹³	²³	46.50 x 8.00 x 14.10 ²⁴
37.50 x 8.00 x 108.50 ¹⁴	15	MB	19	20	21			
V90071 ¹³	4315062	MD cr	45°					
30.99 x 8.00 x 109.09		MD cr	45°					
V91713 ¹³	4315062	MD cr	45°					
31.00 x 8.00 x 109.00								

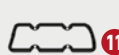
- ¹ № секции
- ² Диаметр цилиндра
- ³ Информация о двигателе
- ⁴ TecDoc / FM номер двигателя
- ⁵ Соответствующий номер информационной секции для нижней части двигателя
- ⁶ Номер ремня привода газораспределительного механизма Кол-во зубцов x ширина ремня
- ⁷ Номер комплекта ремня привода газораспределительного механизма
- ⁸ Номер распределительного вала
- ⁹ Номер комплекта распределительного вала
- ¹⁰ Номер клапанного коромысла (в скобках - требуемое количество на двигатель)
- ¹¹ Номер толкателя клапана и упорной шайбы (в скобках - требуемое количество на двигатель)
- ¹² Номер клапана
- ¹³ Положение установки
- ¹⁴ Размеры клапана
- ¹⁵ Оригинальный номер клапана
- ¹⁶ Код материала
- ¹⁷ Покрытие штока клапана
- ¹⁸ Конструкция сухаря клапана
- ¹⁹ Угол седла
- ²⁰ Обработка седла
- ²¹ Обработка конца штока клапана
- ²² Номер направляющей втулки клапана
- ²³ Форма направляющей втулки клапана
- ²⁴ Размеры направляющей втулки клапана

КОД МАТЕРИАЛА	ТИП	ГОЛОВКА	ШТОК	ПОДХОДИТ ДЛЯ	ИДЕНТИФИЦИРУЮЩИЙ КОД	ОПИСАНИЕ
MB	Монометаллический	Мартенситная хромо-кремнистая сталь	нет	Впускные клапаны бензиновых и дизельных двигателей, штоки в биметаллических выпускных клапанах	cr	Хромовое покрытие штока клапана
MD	Монометаллический	Аустенитная хромо-марганцево-никелевая сталь	нет	Выпускные клапаны, функционирующие при температуре до 750°C	tu	Клапан, обработанный газовым нитрированием / азотированием
ME	Биметаллический	Аустенитная хромо-марганцево-никелевая сталь с добавлением ниобия, вольфрама и азота	MB	Выпускные клапаны для двигателей высокой мощности, функционирующие при температуре до 780°C	ss	Стеллитовое седло
MF	Биметаллический	Nimonic™, жаропрочный сплав на основе никеля с добавлением хрома, кобальта и титана	MB	Выпускные клапаны; высокая механическая прочность, сопротивление усталости, эрозии и коррозии. Функционирование при температуре до 820°C	y	Закаленное седло клапана
MG	Биметаллический	MD	MB	Выпускные клапаны, функционирующие при температуре до 750°C	st	Стеллитовый наконечник
					H	Закаленный наконечник клапана

FIAT GROUP

172 ¹
80.50 ²
Petrol


159 A2.000 ³	4 Cyl.	9.2:1	1372cc	57kW (78)PS	4 TD9728	911 ⁵
160 A1.000	4 Cyl.	9.2:1	1372cc	52-56kW (71-76)PS	TD1015	911
836 A4.000	4 Cyl.	9.2:1	1372cc	51kW (69)PS	TD893	912



BR620 Fibre Composite

DR620

GR620

HBS051

JD146

JF150

JP049

(Cork)

JN805

HR363

NA5187

30.00x52.00x7.00mm ACM



BR620

1 № секции

2 Диаметр цилиндра

3 Информация о двигателе

4 TecDoc / FM номер двигателя

5 Соответствующий номер информационной секции для нижней части двигателя

6 ПРОКЛАДКА ГОЛОВКИ БЛОКА ЦИЛИНДРОВ

 = Левый

 = Правый

= Выступ поршня

0,50 мм = толщина

1 отверстие = идентификационная метка

7 КОМПЛЕКТ ГОЛОВКИ БЛОКА ЦИЛИНДРОВ

 = Без прокладки головки блока цилиндров

 = Без сальников

 = Без прокладки крышки клапанного механизма

 = Без сальников клапанов

8 ПОЛНЫЙ КОМПЛЕКТ

 = Без прокладки головки блока цилиндров

 = Без сальников

 = Без прокладки крышки клапанного механизма

 = Без сальников клапанов

9 КОМПЛЕКТ БОЛТОВ ГОЛОВКИ БЛОКА ЦИЛИНДРОВ

 Форма болта головки

 Шестигранный с наружной резьбой

 Шестигранный с внутренней резьбой

 Наружная головка-звездочка

 Внутренняя головка-звездочка

 Наружная головка torx

 Внутренняя головка torx

 Шестигранная головка с цилиндрическим буртом

 Головка с шлицевым углублением [Ribe-CV®]*

*Ribe-CV® является зарегистрированной торговой маркой Richard Bergner GmbH & Co.

10 ПРОКЛАДКА КОЛЛЕКТОРА

 Левый =

 Правый =

 Комплект =

 Впуск =

 Выпуск =

 Верхний =

 Нижний =
11 ПРОКЛАДКА КРЫШКИ КЛАПАННОГО МЕХАНИЗМА

 Левый =

 Правый =

 Впуск =

 Выпуск =

 Комплект =
12 САЛЬНИКИ КЛАПАНОВ

 Комплект =

 Впуск =

 Выпуск =
13 САЛЬНИКИ РАСПРЕДЕЛИТЕЛЬНОГО ВАЛА

 Передний =

 Задний =

КАК ПОЛЬЗОВАТЬСЯ КАТАЛОГОМ

RU



FIAT GROUP

898 1	80.00 2	Petrol				
AR 00548 3	4 Cyl.	1779cc	83-97kW (113-132)PS	4	TD18	152 5
AR 01608	4 Cyl.	1779cc	87-89kW (118-121)PS		TD5340	154
AR 01608 X	4 Cyl.	1779cc	85kW (115)PS		TD33	155
AR 01678	4 Cyl.	1779cc	88-90kW (120-122)PS		TD38	154
AR 06168	4 Cyl.	1779cc	88kW (120)PS		TD54	157
AR 06202	4 Cyl.	1779cc	85-89kW (116-121)PS		TD55	157
AR 61102	4 Cyl.	9:1	1779cc		TD10149	157

<p>87-528500-00 STD</p> <p>6</p> <p>A 33.25 B- 13.35 D 80.10 22x69</p>	<p>08-528500-00 STD</p> <p>7</p> <p>1.50 CR P 1.75 P 3.50 P</p>	<p>15-632600-00 WH [1]</p> <p>8 9</p> <p>B 85.00 C 152.00 D 98.00 E 107.50</p>	<p>89-528500-00 87-528500-00 + 15-632600-00</p> <p>11</p>
--	---	--	---

12 [1] Includes seals [1] Inclut des joints [1] Comprende le guarnizioni [1] Incluye los sellos

<p>BE/PL</p> <p>4</p> <p>49.988/49.998</p>	<p>MB/HL 1,3,5</p> <p>3</p> <p>59.960/59.973</p>	<p>MB/HL 2,4</p> <p>2</p> <p>59.960/59.973</p>	<p>TW/A</p> <p>4</p> <p>65.786/66.040</p>	<p>53.695/53.708</p> <p>23.440</p>	<p>63.657/63.676</p> <p>25.530</p>	<p>63.657/63.676</p> <p>18.360</p>	<p>82.423/82.677</p> <p>2.362</p>	<p>0.021/0.069</p> <p>BS</p> <p>60010CP</p>	<p>0.020/0.067</p> <p>BS</p> <p>60011CP</p>	<p>0.020/0.067</p> <p>BS</p> <p>60012CP</p>	<p>71-4168/4 STD 0.25 0.50</p> <p>H1030/5 STD 0.25 0.50</p> <p>A178/4 STD</p>
--	--	--	---	------------------------------------	------------------------------------	------------------------------------	-----------------------------------	---	---	---	---

- 1 № секции
- 2 Диаметр цилиндра
- 3 Информация о двигателе
- 4 TecDoc / FM номер двигателя
- 5 Соответствующий номер информационной секции для верхней части двигателя
- 6 Артикул и спецификация поршня
 - A = высота сжатия
 - B = глубина выемки / высота головки
 - BØ = диаметр выемки
 - C = глубина выемки под клапан
 - D = длина
 - RT = с усилителем канавки верхнего поршневого кольца Alfin
 - KK = с каналом масляного охлаждения
 - AK = с пазом/фаской для масляной форсунки
 - HA = головка с твердым анодированным покрытием
 - NB = с бронзовой втулкой поршневого пальца
 - TP = трапециевидный шатун
- 7 Информация о комплекте колец
 - Ширина кольца
 - Конструкция кольца
 - Обработка поверхности кольца
- 8 Информация о гильзе
 - B = внешний диаметр
 - C = общая длина
 - D = диаметр фланца
 - E = ширина фланца
 - F = высота огнезащитного уплотнения
- 9 Тип гильзы
 - D = "сухая"
 - WH = "мокрая" с хонинговкой
 - DH = "сухая" с хонинговкой
- 10 Изображение поршня и номер отливки (если есть)
- 11 Артикул комплекта
- 12 [] = Техническое

КАК ПОЛЬЗОВАТЬСЯ КАТАЛОГОМ



RU

- 13** Тип подшипника скольжения и его положение
BE/PL = Шатунный вкладыш (большая головка шатуна)
MB/HL = Коренной вкладыш
TW/A = Упорная шайба
SE/PB = Втулка поршневого пальца (малая головка шатуна)
CB/NWB = Втулка распределительного вала
BU = Другие втулки
- 14** Состав комплекта
- 15** Диаметр шейки вала (стандартный): приведены размеры минимального и максимального диаметра шейки вала
- 16** Диаметр постели подшипника: приведены размеры минимального и максимального диаметра постели подшипника
- 17** Максимальная ширина подшипника
- 18** Максимальное значение стандартной толщины стенки
- 19** Масляный зазор
- 20** Коды материала подшипников скольжения
AL = Алюминий на стальной подложке..... Би-/триметаллический
B = Латунь
BB = Баббит на стальной подложке..... Биметаллический
BC = Литая бронза на стальной подложке – без покрытия..... Биметаллический
BS = Спеченная бронза на стальной подложке – без покрытия..... Би-/триметаллический
EC = Бронза на стальной подложке - покрытие методом электроосаждения..... Триметаллический
SP = Бронза на стальной подложке со спаттерным напылением..... Триметаллический
IX = Алюминий на стальной подложке – с полимерным покрытием
-LF= Не содержит свинец
- 21** Номер детали
- 22** Номер комплекта Glyco и доступные ремонтные размеры
H = Коренной вкладыш
N = Втулка распределительного вала
A = Упорная шайба
.../4 = Количество пар (подшипников скольжения) или штук (шайб/втулок) в комплекте
...H = Упорный (фланцевый) подшипник скольжения



FIAT GROUP			
995	82.60	Diesel	
149 B2.000	4 Cyl.	20:1	1697cc
		42kW (57)PS	TD16864 295
23	24	25	
EV684	JJ298 (Cork) JJ298	NB742 30.00x43.00x8.00mm, ACM NB732 74.00x90.00x10.00mm, FPM	







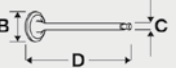


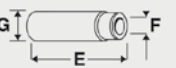
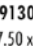



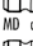
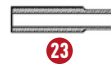
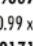

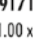
- 23** КОМПЛЕКТ БЛОКА ЦИЛИНДРОВ
▲ Без прокладки головки блока цилиндров
■ Без сальников
☒ Без прокладки крышки клапанного механизма
● Без сальников клапанов
- 24** ПРОКЛАДКА ПОДДОНА КАРТЕРА
Комплект =
- 25** САЛЬНИК КОЛЕНВАЛА
Передние = F
Задние = R

كيفية استخدام هذا الكتالوج

AR



FIAT GROUP

172 1		80.50 2		Petrol			
159 A2.000 3	4 Cyl.	9.2:1	1372cc	57kW (78)PS	4	TD9728	911 5
160 A1.000	4 Cyl.	9.2:1	1372cc	52-56kW (71-76)PS		TD1015	911
836 A4.000	4 Cyl.	9.2:1	1372cc	51kW (69)PS		TD893	912
 6	 7	 8	 9	 10	 11		
TB305 138x15	TBK027 Component No:TB305;AE1008TP	CAM719			FOL104 (x8) [8]		
[8] Mechanical		[8] Mécanique		[8] Meccanico		[8] Mecánico	
 12	OE	MAT.	 19	 21	 22		
V91300  13	7609772	 18	45°	H	VAG92366  13		
37.50 x 8.00 x 108.50 14	 15	 16	45°		46.50 x 8.00 x 14.10 24	 23	
V90071  13	4315062	 17	45°				
30.99 x 8.00 x 109.09							
V91713  13	4315062						
31.00 x 8.00 x 109.00							

- 17 تغطية ساق الصمام
- 18 تصميم الإسفين
- 19 زاوية المقعد
- 20 معالجة المقعد
- 21 معالجة الرأس
- 22 مرجع موجه الصمام
- 23 شكل موجه الصمام
- 24 أبعاد موجه الصمام

- 9 مراجع طاقم الكامات
- 10 مراجع ذراع مترجحة
- (حجم المحرك المطلوب في الدعامات)
- 11 مراجعة مخدة الصمام والغمازة
- (حجم المحرك المطلوب في الدعامات)
- 12 مراجع الصمام
- 13 وضع التثبيت
- 14 أبعاد الصمام
- 15 مرجع صمام المعدات الأصلية
- 16 كود المادة

- 1 رقم اللوحة
- 2 حجم التجوي
- 3 تفاصيل المح
- 4 مستند المواصفات / رقم محرك FM
- 5 رقم لوحة المحركة السفلية المطاب
- 6 مراجع حزام التوقي
- عدد الأسنان x عرض الحزام
- 7 مراجع طاقم حزام التوقي
- 8 مراجع عمود الكامات

الوصف	كود الخاصية
طبقة الكروم في ساق الصمام	cr
صمامات التتوجين / الطف البركاني	tu
مقعد ملحوم بالإستيللايت	ss
مقعد صمام مقوى	Y
رأس ملحوم بالإستيللايت	st
رأس صمام مقوى	H

كود المواد	نوع	الرأس	الساق	مناسب من أجل
MB	المعدن الأحادي	سبيكة فولاذية من الكروم مارتينيسي	غير مطبق	صمامات سحب الديزل والبنزول وسيقان صمامات العادم ثنائية المعدن
MD	المعدن الأحادي	صمامات سحب الديزل والبنزول وسيقان صمامات العادم ثنائية المعدن	غير مطبق	صمامات العادم التي تعمل عند درجة حرارة 750 درجة مئوية
ME	المعدن الثنائي	سبيكة فولاذية من الكروم والنيكل والمنجنيز الأوستيني مع النيوبيوم والتنجستن والتيتانيوم الإضاف	MB	صمامات عوادم الخدمة الشاقة التي تعمل عند درجة حرارة 780 درجة مئوية
MF	المعدن الثنائي	هي سبيكة ممتازة من Nimonic TM سبيكة النيكل مع الكروم والكوبالت والتيتانيوم	MB	صمامات العوادم، القوة الميكانيكية الجيدة، مقاومة الكلال والتآكل والصدأ، تعمل عند درجة حرارة 820 درجة مئوية
MG	المعدن الثنائي	MD	MB	صمامات العادم التي تعمل عند درجة حرارة 750 درجة مئوية






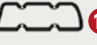



كيفية استخدام هذا الكتالوج



AR

FIAT GROUP

172 1	80.50 2	Petrol					
159 A2.000 3	4 Cyl.	9.2:1	1372cc	57kW (78)PS	4	TD9728	911 5
160 A1.000	4 Cyl.	9.2:1	1372cc	52-56kW (71-76)PS		TD1015	911
836 A4.000	4 Cyl.	9.2:1	1372cc	51kW (69)PS		TD893	912

 6	 7	 8	 9	 10	 11	 12	 13
BR620 Fibre Composite	DR620	GR620	HBS051	JD146 JF150	JP049 (Cork) JN805	HR363	NA5187 30.00x52.00x7.00mm ACM
							
BR620							

جوان المجمع 10

= 10 = إيسر

= 10 = أيمن

= 10 = مجموعة

= 10 = السحب

العام

= 10 = العلوي

= 10 = السفلي

حشية غطاء الصمام 11

= 11 = إيسر

= 11 = أيمن

= 11 = السحب

العام

= 11 = مجموعة

سدادة ساق الصمام 12

= 12 = مجموعة

= 12 = السحب

العام

سدادات زيت عمود الكامات 13

= 13 = الأمامية

= 13 = الخلفية

مجموعة مسمار ذو ر 9

شكل مسمار الرأس



سداسي ذكر



سداسي أنثى



نجمة ذكر



نجمة أنثى



مسمامير مشقوفة أنثى



حلقة سداسية



رأس مخددة أنثى
(Ribe-CV®)*

*Ribe-CV®

هي علامة تجارية مسجلة لصالح شركة

Richard Bergner GmbH & Co.

رقم اللوحة 1

حجم التجويف 2

تفاصيل المحرك 3

F-M مستند المواصفات / رقم محرك 4

رقم لوحة المحرك السفلية المطابقة 5

حشية رأس الأسطوانة 6

= 6 = إيسر

= 6 = أيمن

= 6 = بروز الكباس

سمك = 6

علامة التعريف 1 = فتحة

مجموعة الرأس 7

= 7 = بدون حشية رأس الأسطوانة

= 7 = بدون السدادات

= 7 = بدون حشية غطاء الصمام

= 7 = بدون سدادات ساق الصمام

مجموعة كاملة 8

= 8 = بدون حشية رأس الأسطوانة

= 8 = بدون السدادات

= 8 = بدون حشية غطاء الصمام

= 8 = بدون سدادات ساق الصمام

كيفية استخدام هذا الكتالوج

AR



FIAT GROUP

898 1	80.00 2	Petrol					
AR 00548 3	4 Cyl.	1779cc	83-97kW (113-132)PS	4	TD18	152 5	
AR 01608	4 Cyl.	1779cc	87-89kW (118-121)PS		TD5340	154	
AR 01608 X	4 Cyl.	1779cc	85kW (115)PS		TD33	155	
AR 01678	4 Cyl.	1779cc	88-90kW (120-122)PS		TD38	154	
AR 06168	4 Cyl.	1779cc	88kW (120)PS		TD54	157	
AR 06202	4 Cyl.	1779cc	85-89kW (116-121)PS		TD55	157	
AR 61102	4 Cyl.	9:1	1779cc		TD10149	157	

87-528500-00 6 A 33.25 B- 13.35 D 80.10 22x69	STD 10	08-528500-00 7 1.50 1.75 3.50 CR P P P	15-632600-00 WH [1] 8 9 B 85.00 C 152.00 D 98.00 E 107.50	89-528500-00 87-528500-00 + 15-632600-00 11
--	-----------	---	---	--

[1] Includes seals [1] Inclut des joints [1] Comprende le guarnizioni [1] Incluye los sellos

BE/PL 13	4	49.988/49.998	53.695/53.708	23.440	1.838	0.021/0.069	BS	60010CP	71-4168/4 STD 0.25 0.50
MB/HL 1,3,5	3	59.960/59.973	63.657/63.676	25.530	1.837	0.020/0.067	BS	60011CP	H1030/5 STD 0.25 0.50
MB/HL 2,4	2	59.960/59.973	63.657/63.676	18.360	1.837	0.020/0.067	BS	60012CP	
TW/A	4	65.786/66.040	82.423/82.677		2.362		AL-LF	2777AF	A178/4 STD

- 7 مرجع مجموعة الحلقة
عرض الحلقة
تصميم الحلقة
معالجة سطح الحلقة
مرجع البطانة
B = القطر الخارجي
C = الطول الكلي
D = قطر الشفة
E = عرض الشفة
F = طول شفة الحماية من النيران
- 8
D = جاف
WH = حجر شحذ رطب
DH = حجر شحذ جاف
- 9
D = نوع البطانة
D = جاف
- 10 (صورة الكباس ورقم السبيكة) إن وجد
11 رقم مجموعى المكابس
12 [] = المذكرة التقنية
- 1 رقم اللوحة
2 حجم التجوي
3 تفاصيل المح
4 مستند المواصفات / رقم محرك FM
5 رقم لوحة المحركة السفلية المطاب
6 مراجع حزام التوقي
A = ارتفاع الضغط
B = عمق الغرفة/ارتفاع التاج
BØ = قطر الغرفة
C = عمق جيب الصمام
D = الطول
RT = إدراج ألفين
KK = منصة تبريد الزيت
AK = قطع نفت الزيت
HA = بطانة مؤكسدة قوية على التاج
NB = جلبة بنز برونزي
TP = أبعاد شبه المنحرف


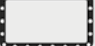
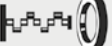

كيفية استخدام هذا الكتالوج



AR

- 13 نوع المحمل وموضعه
BE/PL = محمل (ذو طرف كبير) قضيب التوصيل
IMB/HL = MB/HL المحمل الرئيسي
TW/A = حلقة دفع
SE/PB = جلبة (ذات طرف صغير) مسامير الكباس
CB/NWB = جلبة عمود الكامات
BU = الجلب الأخرى
- 14 مجموعة التركيب
- 15 الحد الأدنى والأقصى لقطر المرتركز القياسي
- 16 الحد الأدنى والأقصى للقطر الداخلي لتجويف الحو
- 17 الحد الأقصى لعرض المح
- 18 الحد الأقصى لسماك الحائط القيا
- 19 خلوص الزيت
- 20 رموز مواد المحم
AL = ثنائي/ثلاثي المعدن ألومنيوم مظهر بالصلب
B = نحاس حاس
BB = ثنائي المعدن بابت مظهر بالصلب
BC = ثنائي المعدن برونز مصبوب مظهر بالصلب - غير مطلي
BS = ثنائي المعدن برونز مصبوب مظهر بالصلب - غير مطلي
EC = ثنائي/ثلاثي المعدن برونز مظهر بالصلب - مطلي بالكهرباء
SP = ثنائي المعدن بابت مظهر بالصلب
IX = ألومنيوم مظهر بالصلب - بوليمر
LF = خالية من الرصاص
- 21 مرجع المركب
- 22 والأحجام الأقل المتوفرة Glyco مرجع مجموعة
- H = محمل رئيسي
N = جلبة عمود الكومات
A = حلقة دفع
.../ = عدد الأزواج (المحامل) أو القطع (الحلقات/الجلب) لكل مجموعة
...H = محمل (شفة) الدفع



FIAT GROUP			
995	82.60	Diesel	
149 B2.000	4 Cyl.	20:1	1697cc
			42kW (57)PS
			TD16864 295
 EV684	 JJ298 (Cork)	 NB742 30.00x43.00x3.00mm, ACM NB732 74.00x90.00x10.00mm, FPM	
	 JJ298		

- 25 مانع تسريب عمود الكرنك
F = الأمامية
R = الخلفية

- 24 حشية الحوض
S = مجموعة

- 23 مجموعة التحويل
▲ = بدون حشية رأس الأسطوانة
■ = بدون السدادات
☒ = بدون حشية غطاء الصمام
● = بدون سدادات ساق الصمام

TERMS OF BUSINESS

IMPORTANT

EN

Reproduction of this catalogue or parts thereof is only allowed with our explicit permission in writing. Pictorial representations and design are copyrighted. Claims for damages, of any form whatsoever, resulting from details made in this catalogue or from incorrect use, application, storage or handling, are explicitly excluded. Contractual rights and any resulting or related claims based thereon, irrespective of form, initially come into being on the basis of a separate written agreement, in particular on the basis of our general terms of sale and delivery.

All former statements lose their validity with the publication of this catalogue.

The catalogue is not an operating manual for the use and installation of the engine and sealing parts. It does not contain any advice in a legal sense. The catalogue neither replaces the constantly applicable technical regulations - particularly for tolerances - nor the installation and maintenance stipulations of the individual engine manufacturer.

Also, it is not possible to forego the expertise of those carrying out the installation and application. The individual references made in this catalogue for the installation and the application of the engine and sealing parts are instructions solely for the technically qualified specialist and are to be checked and verified by them for their suitability in each case. Federal-Mogul accepts no responsibility for application decisions.

The contents of the catalogue are not intended to create or substitute any contractual agreement which has to be reserved exclusively to a separate agreement between 2 identified parties, whereby seller can be only one of our Federal-Mogul entities as mentioned on the back cover page.

The right is retained to correct errors and alterations, particularly with regard to amendments in the engine manufacturers details and stipulations.

GESCHÄFTSBEDINGUNGEN – WICHTIGE HINWEISE

DE

Nachdruck, auch auszugsweise, ist nur mit unserer ausdrücklichen schriftlichen Zustimmung gestattet. Die bildlichen Darstellungen und Ausstattungen sind geschützt. Ersatzansprüche, gleich welcher Art, aufgrund der Angaben in diesem Katalog oder auf Grund unsachgemäßem Umgang, unsachgemäßer Verwendung, Lagerung oder Handhabung der angebotenen Produkte, sind ausdrücklich ausgeschlossen. Vertragliche Ansprüche und daraus abgeleitete oder darauf beruhende Ansprüche, gleich welcher Art, kommen erst auf Grund einer besonderen schriftlichen Vereinbarung, insbesondere auf der Grundlage unserer allgemeinen Verkaufs- und Lieferbedingungen, zustande.

Der Katalog ist keine Einbauanleitung für Motorenteile und Dichtungen.

Er enthält keine Beratung im Rechtssinne. Der Katalog ersetzt weder die immer vorrangigen technischen Vorschriften, insbesondere für Toleranzen, sowie die Einbau- und Wartungsvorschriften des jeweiligen Motorenherstellers, noch kann auf das notwendige Fachwissen des die Montage und die Verwendung Durchführenden verzichtet werden. Die in diesem Katalog jeweils gegebenen Hinweise für Einbau und Verwendung der Motorenteile und Dichtungen sind Hinweise ausschließlich für den technisch ausgebildeten und versierten Fachmann, die von ihm im jeweiligen Anwendungsfall auf ihre Eignung geprüft und entschieden werden müssen. Eine Haftung wird von Federal-Mogul für Anwendungsentscheidungen nicht übernommen.

Die Inhalte dieses Katalogs sind nicht dazu bestimmt eine vertragliche Verpflichtung zu begründen oder zu ersetzen, was ausschliesslich einer gesonderten Vereinbarung zwischen 2 konkret bezeichneten Parteien vorbehalten bleibt, wobei der Verkäufer eine unserer Federal-Mogul Gesellschaften sein wird, wie auf der Rückseite des Kataloges.

Die Korrektur von Irrtümern und Änderungen, in besondere auf Grund von geänderten Angaben und Vorschriften der Motorenhersteller, bleibt vorbehalten.

CONDIZIONI GENERALI – IMPORTANTE

IT

La riproduzione di questo catalogo, anche parziale, è permessa soltanto in seguito ad una autorizzazione scritta. I grafici ed i disegni sono marchio depositato. Reclami per difetti, di qualsiasi natura essi siano, relativi al contenuto di questo catalogo, o all'uso improprio di esso, verranno respinti. Le pretese avanzate od i reclami dovranno essere in conformità con le nostre condizioni generali di vendita.

Il presente catalogo annulla e sostituisce tutte le edizioni precedenti.

Il catalogo non è un manuale per l'utilizzo ed il montaggio delle ricambi motore e tenute. Non contiene indicazioni in questo senso. Esso non sostituisce le descrizioni tecniche, sempre prioritarie, in particolare per le tolleranze, né le istruzioni relative al montaggio ed alla manutenzione date dai costruttori dei rispettivi motori. Non può in nessun caso essere paragonato alla conoscenza professionale necessaria per il montaggio e l'utilizzo. Le considerazioni sul montaggio delle ricambi motore e tenute, fatte su questo catalogo, sono destinate esclusivamente a professionisti con formazione tecnica i quali verificheranno l'esattezza della informazioni, in ogni caso.

Le responsabilità derivanti dall'utilizzo improprio dello stesso non potranno essere addebitate alla Federal-Mogul.

I contenuti del catalogo non sostituiscono in alcun modo gli accordi contrattuali che sono riservati esclusivamente a due contraenti definiti; come venditore si intende una delle società Federal Mogul menzionate sul retro del catalogo.

Ci riserviamo di apportare correzioni e modifiche, relative, in particolare, a dati o istruzioni ricevute dal costruttore del motore.

CONDITIONS GÉNÉRALES DE VENTE – IMPORTANT

FR

La reproduction de ce catalogue, même partielle, n'est autorisée qu'avec notre accord préalable et par écrit. Les illustrations graphiques et la présentation font l'objet d'un copyright. Nous excluons toutes réclamations ayant pour objet ce catalogue ou pouvant résulter de son incompréhension, portant sur de mauvaises utilisations, manipulations, manutentions ou mauvais stockage. Des droits contractuels et des droits dérivés, de quelque nature qu'ils soient, ne peuvent résulter que d'un accord écrit, particulièrement sur la base de nos conditions générales de ventes et de livraisons.

Ce catalogue annule et remplace toute édition antérieure.

Le catalogue n'est pas une notice d'utilisation et de montage des pièces moteur et joints. Il ne contient pas de directives en tant que telles. Le catalogue ne remplace ni les prescriptions techniques, toujours prioritaires, particulièrement pour les tolérances, ni les prescriptions de montage et d'entretien des constructeurs des moteurs figurant dans ce catalogue. Il ne peut en aucun cas remplacer les connaissances professionnelles nécessaires pour le montage et l'utilisation. Les remarques données pour le montage et l'utilisation des pièces moteur et joints sont exclusivement destinées au professionnel averti et de formation technique, à qui il appartiendra de vérifier la conformité des indications pour chaque cas. La responsabilité des décisions d'utilisation ne peut être prise en charge par Federal-Mogul.

Le contenu de ce catalogue ne peut constituer ou remplacer un contrat qui doit faire l'objet d'un document séparé établi entre 2 parties, dont l'une doit être une entité légale de Federal-Mogul dont la liste figure sur la couverture arrière.

Nous nous réservons le droit d'apporter toutes corrections d'erreurs et modifications, suite notamment à de nouvelles données fournies par les constructeurs.

TERMS OF BUSINESS

CONDICIONES DE VENTA – IMPORTANTE

ES

Queda totalmente prohibida la reproducción, total o parcial, del contenido de este catálogo, salvo previa autorización nuestra, realizada por escrito. Están, asimismo, reservados todos los derechos sobre el diseño y presentación del catálogo. No se aceptará ningún tipo de reclamación que esté basada en la interpretación de los datos contenidos en este catálogo, así como en el incorrecto uso, manipulación o almacenaje de nuestras piezas. Únicamente se aceptarán reclamaciones que estén basadas en derechos contractuales o en los motivos arriba indicados, siempre que exista un acuerdo especial y por escrito basado en nuestras condiciones generales de venta y suministro.

Con la edición de este catálogo queda anulada toda la información contenida en catálogos anteriores.

El catálogo no es un manual para el uso e instalación de los piezas de motor y sellado, y no representa una asesoría técnica, en el sentido legal. Los datos del catálogo no sustituyen, en ningún caso, a las especificaciones técnicas, tanto en lo que se refiere a tolerancias como a las instrucciones de instalación y mantenimiento, indicadas por los fabricantes de los motores, especificaciones que serán siempre prioritarias. Se entiende que el uso y montaje de estas piezas está encomendado a personal debidamente cualificado. Las indicaciones sobre uso y montaje de los piezas de motor y sellado contenidas en este catálogo, están exclusivamente dirigidas a profesionales con la debida capacitación y formación técnica, que deben decidir en cada caso sobre la exactitud de las mismas. La responsabilidad de estas decisiones no puede ser, en ningún caso, achacada a Federal-Mogul.

La información facilitada en el catálogo no representa o sustituye ningún tipo de acuerdo, quedando a tal efecto, el acuerdo por separado entre dos partes donde sólo entidades de Federal-Mogul, pueden ser identificadas como la parte vendedora como se menciona en la contraportada.

Los datos e instrucciones contenidos en este catálogo podrán ser corregidos o modificados sin previo aviso.

WARUNKI PROWADZENIA BIZNESU – WAŻNE

PL

Reprodukcja tego katalogu lub jego części jest możliwa tylko za wyraźną zgodą na piśmie. Ilustracje i grafika są chronione prawem autorskim. Roszczenia dotyczące szkód, niezależnie od formy, wynikających z przedstawionych w tym katalogu treści lub z nieprawidłowego użycia, zastosowania, przechowywania lub obsługi są w sposób wyraźny wyłączone. Prawa umowne i inne wynikające lub związane z roszczeniami na nimi opartymi, niezależnie od formy, są tworzone na podstawie oddzielnej umowy pisemnej, w szczególności na podstawie naszych ogólnych warunków sprzedaży i dostawy. Wszystkie wcześniejsze oświadczenia tracą ważność wraz z opublikowaniem tego katalogu.

Katalog nie jest instrukcją użytkownika i montażu części silnikowych i uszczelnień. Nie zawiera porad w sensie prawnym. Katalog nie zastępuje obowiązujących uregulowań technicznych – zwłaszcza w zakresie tolerancji – ani opisów montażu i konserwacji poszczególnych producentów silników. Nie jest również możliwe pominięcie doświadczenia osob dokonujących doboru i przeprowadzających montaż części. Poszczególne odniesienia zawarte w tym katalogu, a dotyczące doboru, montażu i stosowania części silnikowych i uszczelnień, są instrukcjami wyłączone dla wykwalifikowanego technicznie specjalisty, który w każdym przypadku musi je sprawdzić i zweryfikować ich przydatność. Federal-Mogul nie przyjmuje odpowiedzialności za decyzje dotyczące zastosowania.

Zawartość tego katalogu nie stanowi ani nie zastępuje umowy, która może być zawarta jedynie jako oddzielny dokument podpisany przez dwie strony, przy czym sprzedawcą może być tylko jedna z jednostek koncernu Federal-Mogul, zgodnie z opisem na wewnętrznej stronie tylnej okładki.

Zachowane zostaje prawo korygowania błędów i wprowadzania zmian, zwłaszcza odnośnie zmian dotyczących parametrów i warunków pracy określonych przez producentów silników.

УСЛОВИЯ ДЕЛОВОГО СОТРУДНИЧЕСТВА – ВАЖНО

RU

Копирование данного каталога или его частей допускается исключительно при получении нашего разрешения в письменной форме. Иллюстрации и дизайн защищены авторским правом. Требования о возмещении ущерба любой формы, исходя из содержания каталога или из-за неправильного использования, хранения или обращения, абсолютно исключены. Договорные права и любые результирующие или связанные с этим требования, независимо от их формы, должны являться частью отдельного письменного соглашения и основываться на наших общих условиях продаж и поставок.

Все прежние утверждения теряют свою юридическую силу с момента публикации данного каталога.

Каталог не является руководством пользователя и инструкцией по установке деталей двигателя и уплотнения. Он не содержит советов в юридическом понимании этого слова. Каталог не является заменой для издаваемых производителями двигателей технических инструкций по ремонту, в особенности для допусков технических величин, а также инструкций по монтажу и регламентному обслуживанию. Отдельные ссылки для установки и замены деталей двигателя и уплотнения, приведенные в этом каталоге, являются инструкциями исключительно для технически компетентного специалиста и в каждом случае должны быть проверены им на предмет их пригодности. Federal-Mogul не несет ответственность за ремонтные работы.

Содержимое каталога не предназначено для создания или замены любого контрактного соглашения, которое может быть оформлено только в виде отдельного соглашения между двумя установленными сторонами, где продавцом может являться только одно из юридических лиц Federal-Mogul, как упомянуто на внутренней стороне обложки каталога. Federal-Mogul оставляет за собой право вносить исправления и изменения в частности в отношении поправок по деталям изготовителей двигателей и их условиям.

AR

هام

يظهر نسخ أي جزء من هذا الكatalog دون موافقة صريحة كتابية منا. جميع حقوق التصوير والتصميم محفوظة. إن المطالبات بالتعويض عن أي تلفيات من أي نوع مهما كانت، والتي تنتج عن التفاصيل المقدمة بهذا الكatalog أو عن الاستخدام غير الصحيح، أو التطبيق غير السليم أو التخزين أو التعامل مستبعدة هنا بوضوح. تأتي حقوق التعاقد أو أي متطلبات ناتجة أو ذات صلة بالاعتماد على ذلك - بغض النظر عن النموذج - أولاً كي تكون على أساس اتفاق مكتوب منفصل، وعلى وجه الخصوص، على أساس الشروط العامة للبيع والتوصيل

تصبح جميع البيانات السابقة لاغية في حالة نشر هذا الكatalog

ولا يعد هذا الكatalog دليل تشغيل لاستخدام وتركيب المحرك وقطع غيار الحشية، ولا ينطوي على أي نصيحة ذات معنى قانوني. كما أن هذا الكatalog لا يحل محل التنظيمات الفنية سارية المفعول بصفة دائمة - وبصفة خاصة قدرات التحمل - ولا اشتراطات التركيب والصيانة المحددة من قبل جهة تصنيع المحرك

كما أنه ليس ممكناً الامتناع عن تقديم الخبرة للقاءين بعملية التركيب والتطبيق. إن الإشارات الفردية المقدمة في هذا الكatalog بشأن التركيب والتطبيق المحرك وقطع غيار الحشية وهي إرشادات فقط للمتخصصين المؤهلين فنياً وينبغي أي مسؤولية تتعلق بمسائل الاستعمال Federal-Mogul عليه مراجعتها والتحقق منها لمناسبتها لكل حالة. لا تتحمل شركة

كما هو مدون على صفحة الغلاف Federal-Mogul لا تستهدف محتويات الكatalog إبرام أي اتفاق تعاقدي يجب الاحتفاظ به أو تبديله باستثناء الاتفاق المنفصل بين الطرفين المحددين، وبناءً عليه لا يكون البائع إلا أحد كيانات شركة الخلفية

الحقوق محفوظة لتصحيح الأخطاء وعمليات التغيير، خاصة فيما يتعلق بالتعديلات الطارئة على تفاصيل واشتراطات جهات تصنيع المحركات

© Federal-Mogul Corporation 2014

The contents of this publication are the copyright of Federal-Mogul Corporation. Unauthorised reproduction in whole or in part is expressly forbidden.



ccm



9



07/81→12/86	6 2.0	AR 01932	Petrol	1997	V6		903
04/79→12/86	6 2.5	AR 01928	Petrol	2492	V6	596	1238
07/81→05/86	6 2.5	VM-HR 588 HT	Diesel	2493	5	604	1228
06/83→12/89	33 1.2	AR 30585	Petrol	1186	4	132	882
05/83→12/89	33 1.3	AR 30502	Petrol	1351	4	138	880
06/83→12/89	33 1.3	AR 30586	Petrol	1351	4	138	880
10/84→12/89	33 1.3	AR 30168	Petrol	1351	4	137	880
10/84→12/89	33 1.3	AR 30587	Petrol	1351	4	138	878
06/91→09/94	33 1.4	AR 30753	Petrol	1351	4	139	885
06/91→09/94	33 1.4	AR 30755	Petrol	1351	4	140	885
05/83→12/93	33 1.5	AR 30182	Petrol	1490	4	364	1049
06/83→12/85	33 1.5	AR 30143	Petrol	1490	4	362	1050
06/83→12/85	33 1.5	AR 30504	Petrol	1490	4	365	1049
06/83→12/86	33 1.5	AR 30520	Petrol	1490	4	361	1049
01/84→12/89	33 1.5	AR 30514	Petrol	1490	4	366	1052
06/84→12/89	33 1.5	AR 30146	Petrol	1490	4	363	1049
06/84→12/89	33 1.5	AR 30508	Petrol	1490	4	363	1049
06/84→12/89	33 1.5	AR 30588	Petrol	1490	4	367	1053
01/90→04/93	33 1.5	AR 30734	Petrol	1490	4	368	1051
01/90→09/94	33 1.5	AR 30751	Petrol	1490	4	370	1054
07/90→08/91	33 1.5	AR 30750	Petrol	1490	4	369	1054
01/86→12/89	33 1.7	AR 30550	Petrol	1712	4	563	1216
09/88→12/89	33 1.7	AR 30558	Petrol	1712	4	564	1217
01/90→09/94	33 1.7	AR 30736	Petrol	1712	4	565	1217
01/90→09/94	33 1.7	AR 30737	Petrol	1712	4	565	1217
01/90→09/94	33 1.7	AR 30746	Petrol	1712	4	568	1221
01/90→09/94	33 1.7	AR 30747	Petrol	1712	4	568	1221
04/92→09/94	33 1.7	AR 30737 A	Petrol	1712	4	566	1219
01/86→06/90	33 1.8	VM 82 A	Diesel	1779	3	605	1245
07/90→09/94	33 1.8	VM 96 A	Diesel	1779	3	605	1245
01/84→12/88	33 SPORTWAGON 1.3	AR 30587	Petrol	1351	4	138	878
06/91→09/94	33 SPORTWAGON 1.4	AR 30753	Petrol	1351	4	139	885
06/91→09/94	33 SPORTWAGON 1.4	AR 30755	Petrol	1351	4	140	885
09/84→12/86	33 SPORTWAGON 1.5	AR 30520	Petrol	1490	4	361	1049
09/84→12/87	33 SPORTWAGON 1.5	AR 30182	Petrol	1490	4	364	1049
09/84→12/87	33 SPORTWAGON 1.5	AR 30514	Petrol	1490	4	366	1052
12/86→12/89	33 SPORTWAGON 1.5	AR 30146	Petrol	1490	4	363	1049
12/86→12/89	33 SPORTWAGON 1.5	AR 30508	Petrol	1490	4	363	1049
12/86→12/89	33 SPORTWAGON 1.5	AR 30588	Petrol	1490	4	367	1053
01/90→09/94	33 SPORTWAGON 1.5	AR 30751	Petrol	1490	4	370	1054
03/88→12/89	33 SPORTWAGON 1.7	AR 30550	Petrol	1712	4	563	1216
09/88→12/89	33 SPORTWAGON 1.7	AR 30558	Petrol	1712	4	564	1217
09/88→09/94	33 SPORTWAGON 1.7	AR 30737	Petrol	1712	4	565	1217
01/90→03/92	33 SPORTWAGON 1.7	AR 30736	Petrol	1712	4	565	1217
01/90→03/92	33 SPORTWAGON 1.7	AR 30746	Petrol	1712	4	568	1221
01/90→09/94	33 SPORTWAGON 1.7	AR 30747	Petrol	1712	4	568	1221
01/86→12/89	33 SPORTWAGON 1.8	VM 96 A	Diesel	1779	3	605	1245
05/85→09/89	75 1.6	AR 06100	Petrol	1567	4	107	854
05/85→02/92	75 1.6	AR 61101	Petrol	1567	4	112	859
09/85→06/89	75 1.8	AR 06202	Petrol	1779	4	157	898
02/86→01/90	75 1.8	AR 06158	Petrol	1779	4	156	899
09/86→02/92	75 1.8	AR 06134	Petrol	1779	4	156	899
09/88→02/92	75 1.8	AR 06168	Petrol	1779	4	157	898
09/88→02/92	75 1.8	AR 61102	Petrol	1779	4	157	898
05/89→12/92	75 1.8	AR 61202	Petrol	1779	4	158	899
08/89→02/92	75 1.8	AR 61201	Petrol	1779	4	158	900
08/89→02/92	75 1.8	AR 67101	Petrol	1773	4	412	1093
05/85→10/88	75 2.0	AR 06212	Petrol	1962	4	421	1103
05/85→02/92	75 2.0	AR 06224	Petrol	1962	4	422	1106
05/85→09/92	75 2.0	VM 80 A	Diesel	1995	4	579	1228
01/87→02/92	75 2.0	AR 06166	Petrol	1962	4	422	1105
01/89→02/92	75 2.4	VM 81 A	Diesel	2393	4	607	1245
05/85→08/86	75 2.5	AR 01646	Petrol	2492	V6	593	1238
05/85→08/86	75 2.5	AR 01911	Petrol	2492	V6	595	1238
09/86→04/89	75 2.5	AR 01648	Petrol	2492	V6	594	1239
01/87→12/90	75 3.0	AR 06120	Petrol	2959	V6	688	1325
01/87→02/92	75 3.0	AR 06124	Petrol	2959	V6	688	1325
02/90→02/92	75 3.0	AR 61503	Petrol	2959	V6	688	1325
10/84→07/87	90 1.8	AR 06202	Petrol	1779	4	157	898
10/84→07/87	90 2.0	AR 01713	Petrol	1962	4	421	1098
10/84→07/87	90 2.0	AR 06210	Petrol	1997	V6	163	903
10/84→07/87	90 2.0	AR 06212	Petrol	1962	4	421	1103



ccm

X



9



10/84→07/87	90 2.4	VM 81 A	Diesel	2393	4	607	1245
10/84→07/87	90 2.5	AR 01646	Petrol	2492	V6	593	1238
10/84→07/87	90 2.5	AR 01911	Petrol	2492	V6	595	1238
07/94→12/96	145 1.4	AR 33501	Petrol	1351	4	140	885
12/96→01/01	145 1.4	AR 33503	Petrol	1370	4	187	924
12/96→01/01	145 1.4	AR 38501	Petrol	1370	4	187	924
10/94→12/96	145 1.6	AR 33201	Petrol	1596	4	393	1074
12/96→01/01	145 1.6	AR 38201	Petrol	1598	4	192	926
12/96→01/01	145 1.6	AR 67601	Petrol	1598	4	193	926
09/97→12/00	145 1.6	AR 32102	Petrol	1598	4	189	926
10/94→12/96	145 1.7	AR 33401	Petrol	1712	4	569	1221
12/96→12/98	145 1.7	AR 38401	Petrol	1747	4	205	933
12/96→12/98	145 1.7	AR 67106	Petrol	1747	4	206	933
12/96→12/98	145 1.7	AR 67199	Petrol	1747	4	207	934
03/98→01/01	145 1.7	AR 32201	Petrol	1747	4	203	933
10/94→02/99	145 1.9	AR 33601	Diesel	1929	4	325	1014
10/94→02/99	145 1.9	AR 67501	Diesel	1929	4	326	1014
02/99→01/01	145 1.9	AR 32302	Diesel	1910	4	253	937
10/95→01/01	145 2.0	AR 67204	Petrol	1970	4	351	1038
03/98→01/01	145 2.0	AR 32301	Petrol	1970	4	346	1038
12/94→12/96	146 1.4	AR 33501	Petrol	1351	4	140	885
11/96→01/01	146 1.4	AR 33503	Petrol	1370	4	187	924
11/96→01/01	146 1.4	AR 38501	Petrol	1370	4	187	924
12/94→12/96	146 1.6	AR 33201	Petrol	1596	4	393	1074
11/96→01/01	146 1.6	AR 38201	Petrol	1598	4	192	926
11/96→01/01	146 1.6	AR 67601	Petrol	1598	4	193	926
09/97→12/00	146 1.6	AR 32102	Petrol	1598	4	189	926
12/94→12/96	146 1.7	AR 33401	Petrol	1712	4	569	1221
11/96→01/01	146 1.7	AR 38401	Petrol	1747	4	205	933
11/96→01/01	146 1.7	AR 67106	Petrol	1747	4	206	933
03/98→01/01	146 1.7	AR 32201	Petrol	1747	4	203	933
12/94→02/99	146 1.9	AR 33601	Diesel	1929	4	325	1014
12/94→02/99	146 1.9	AR 67501	Diesel	1929	4	326	1014
02/99→01/01	146 1.9	AR 32302	Diesel	1910	4	253	937
10/95→01/01	146 2.0	AR 67204	Petrol	1970	4	351	1038
03/98→01/01	146 2.0	AR 32301	Petrol	1970	4	346	1038
01/01→03/10	147 1.6	AR 32104	Petrol	1598	4	190	927
01/01→03/10	147 1.6	AR 37203	Petrol	1598	4	191	928
11/00→09/04	147 1.9	AR 37101	Diesel	1910	4	256	954
04/01→03/10	147 1.9	937 A2.000	Diesel	1910	4	236	954
11/02→03/10	147 1.9	192 A5.000	Diesel	1910	4	224	946
06/03→03/10	147 1.9	182 B9.000	Diesel	1910	4	212	938
09/03→09/04	147 1.9	937 A4.000	Diesel	1910	4	238	946
09/04→03/10	147 1.9	937 A5.000	Diesel	1910	4	241	946
10/04→03/10	147 1.9	192 B1.000	Diesel	1910	4	224	946
10/04→03/10	147 1.9	939 A7.000	Diesel	1910	4	250	960
07/05→03/10	147 1.9	937 A3.000	Diesel	1910	4	237	948
06/08→03/10	147 1.9	937 A6.000	Diesel	1910	4	242	956
01/01→03/10	147 2.0	AR 32310	Petrol	1970	4	348	1040
07/02→05/05	147 2.0	937 A1.000	Petrol	1970	4	344	1037
02/03→03/10	147 3.2	932 A.000	Petrol	3179	V6	707	
05/96→12/97	155 1.6	AR 67601	Petrol	1598	4	193	926
04/93→04/96	155 1.7	AR 67103	Petrol	1748	4	358	1046
04/93→04/96	155 1.7	AR 67105	Petrol	1748	4	359	1047
05/96→12/97	155 1.7	AR 67106	Petrol	1747	4	206	933
01/92→12/96	155 1.8	AR 67101	Petrol	1773	4	412	1093
01/92→12/96	155 1.8	AR 67102	Petrol	1773	4	412	1093
02/92→12/97	155 1.8	AR 67402	Petrol	1756	4	412	1092
04/93→12/97	155 1.9	AR 67501	Diesel	1929	4	326	1014
01/92→12/97	155 2.0	AR 67203	Petrol	1995	4	482	1152
02/92→04/93	155 2.0	AR 67201	Petrol	1995	4	481	1151
02/92→02/95	155 2.0	AR 67202	Petrol	1995	4	353	1042
10/92→12/97	155 2.0	AR 67302	Petrol	2492	V6	602	1243
03/95→12/97	155 2.0	AR 67204	Petrol	1970	4	351	1038
03/95→12/97	155 2.0	AR 67299	Petrol	1970	4	352	1041
02/92→09/96	155 2.5	AR 67301	Petrol	2492	V6	601	1243
10/92→12/97	155 2.5	AR 67303	Petrol	2492	V6	603	1243
04/93→12/97	155 2.5	VM 07 B	Diesel	2499	4	608	1248
04/93→12/97	155 2.5	VM 31 B	Diesel	2499	4	609	1248
09/97→09/05	156 1.6	AR 32102	Petrol	1598	4	189	926
09/97→09/05	156 1.6	AR 32103	Petrol	1598	4	190	927
09/97→09/05	156 1.6	AR 32104	Petrol	1598	4	190	927



ccm



9



09/97→09/05	156 1.6	AR 67601	Petrol	1598	4	193	926
09/97→10/00	156 1.7	AR 32201	Petrol	1747	4	203	933
10/00→09/05	156 1.8	AR 32205	Petrol	1747	4	204	933
09/97→10/00	156 1.9	AR 32302	Diesel	1910	4	253	937
10/00→05/01	156 1.9	AR 37101	Diesel	1910	4	256	954
05/01→09/05	156 1.9	937 A2.000	Diesel	1910	4	236	954
11/02→11/04	156 1.9	192 B1.000	Diesel	1910	4	224	946
11/02→09/05	156 1.9	192 A5.000	Diesel	1910	4	224	946
11/03→09/05	156 1.9	937 A4.000	Diesel	1910	4	238	946
07/04→09/05	156 1.9	937 A5.000	Diesel	1910	4	241	946
09/97→10/00	156 2.0	AR 32301	Petrol	1970	4	346	1038
11/97→04/00	156 2.0	AR 32303	Petrol	1970	4	347	1039
10/00→03/02	156 2.0	AR 32310	Petrol	1970	4	348	1040
03/02→09/05	156 2.0	937 A1.000	Petrol	1970	4	344	1037
09/97→09/03	156 2.4	AR 32501	Diesel	2387	5	289	973
10/00→09/05	156 2.4	839 A6.000	Diesel	2387	5	274	976
03/02→09/05	156 2.4	841 C000	Diesel	2387	5	277	976
06/03→09/05	156 2.4	841 M.000	Diesel	2387	5	282	978
06/03→09/05	156 2.4	841 N.000	Diesel	2387	5		984
10/03→09/05	156 2.4	841 G.000	Diesel	2387	5	278	978
09/97→12/01	156 2.5	AR 32401	Petrol	2492	V6	597	1242
09/97→12/01	156 2.5	AR 32402	Petrol	2492	V6		1241
10/00→09/05	156 2.5	AR 32405	Petrol	2492	V6	598	1242
03/02→09/05	156 3.2	932 A.000	Petrol	3179	V6	707	
01/00→05/06	156 SPORTWAGON 1.6	AR 32102	Petrol	1598	4	189	926
05/00→05/06	156 SPORTWAGON 1.6	AR 32103	Petrol	1598	4	190	927
05/00→05/06	156 SPORTWAGON 1.6	AR 32104	Petrol	1598	4	190	927
05/00→05/06	156 SPORTWAGON 1.6	AR 67601	Petrol	1598	4	193	926
05/00→10/00	156 SPORTWAGON 1.7	AR 32201	Petrol	1747	4	203	933
10/00→05/06	156 SPORTWAGON 1.8	AR 32205	Petrol	1747	4	204	933
05/00→10/00	156 SPORTWAGON 1.9	AR 32302	Diesel	1910	4	253	937
10/00→05/01	156 SPORTWAGON 1.9	AR 37101	Diesel	1910	4	256	954
05/01→05/06	156 SPORTWAGON 1.9	937 A2.000	Diesel	1910	4	236	954
11/02→11/04	156 SPORTWAGON 1.9	192 B1.000	Diesel	1910	4	224	946
11/02→05/06	156 SPORTWAGON 1.9	192 A5.000	Diesel	1910	4	224	946
11/03→05/06	156 SPORTWAGON 1.9	937 A4.000	Diesel	1910	4	238	946
07/04→05/06	156 SPORTWAGON 1.9	937 A5.000	Diesel	1910	4	241	946
05/00→06/02	156 SPORTWAGON 2.0	AR 32301	Petrol	1970	4	346	1038
10/00→03/02	156 SPORTWAGON 2.0	AR 32310	Petrol	1970	4	348	1040
03/02→05/06	156 SPORTWAGON 2.0	932 A2.000	Petrol	1970	4	343	1036
03/02→05/06	156 SPORTWAGON 2.0	937 A1.000	Petrol	1970	4	344	1037
05/00→09/03	156 SPORTWAGON 2.4	AR 32501	Diesel	2387	5	289	973
10/00→05/06	156 SPORTWAGON 2.4	839 A6.000	Diesel	2387	5	274	976
03/02→05/06	156 SPORTWAGON 2.4	841 C000	Diesel	2387	5	277	976
06/03→05/06	156 SPORTWAGON 2.4	841 M.000	Diesel	2387	5	282	978
06/03→05/06	156 SPORTWAGON 2.4	841 N.000	Diesel	2387	5		984
10/03→05/06	156 SPORTWAGON 2.4	841 G.000	Diesel	2387	5	278	978
05/00→08/03	156 SPORTWAGON 2.5	AR 32401	Petrol	2492	V6	597	1242
10/00→05/06	156 SPORTWAGON 2.5	AR 32405	Petrol	2492	V6	598	1242
03/02→05/06	156 SPORTWAGON 3.2	932 A.000	Petrol	3179	V6	707	
03/07→11/11	159 1.8	939 A4.000	Petrol	1796	4	182	918
05/09→11/11	159 1.8	939 B1.000	Petrol	1742	4	329	1019
09/05→11/11	159 1.9	937 A7.000	Diesel	1910	4	243	958
09/05→11/11	159 1.9	937 A8.000	Diesel	1910	4	245	959
09/05→11/11	159 1.9	939 A1.000	Diesel	1910	4	246	960
09/05→11/11	159 1.9	939 A2.000	Diesel	1910	4	248	961
09/05→11/11	159 1.9	939 A6.000	Petrol	1859	4	508	1174
09/05→11/11	159 1.9	939 A7.000	Diesel	1910	4	250	960
09/05→11/11	159 1.9	939 A8.000	Diesel	1910	4	251	963
05/09→11/11	159 2.0	844 A2.000	Diesel	1956	4		1034
05/09→11/11	159 2.0	939 B3.000	Diesel	1956	4	341	1032
06/10→11/11	159 2.0	939 B4.000	Diesel	1956	4	340	1035
09/05→11/11	159 2.2	939 A5.000	Petrol	2198	4	518	1174
09/05→11/11	159 2.4	939 A3.000	Diesel	2387	5	287	988
05/07→11/11	159 2.4	939 A9.000	Diesel	2387	5	288	989
12/05→11/11	159 3.2	939 A.000	Petrol	3196	V6	573	
03/07→11/11	159 SPORTWAGON 1.8	939 A4.000	Petrol	1796	4	182	918
05/09→11/11	159 SPORTWAGON 1.8	939 B1.000	Petrol	1742	4	329	1019
03/06→11/11	159 SPORTWAGON 1.9	937 A7.000	Diesel	1910	4	243	958
03/06→11/11	159 SPORTWAGON 1.9	937 A8.000	Diesel	1910	4	245	959
03/06→11/11	159 SPORTWAGON 1.9	939 A1.000	Diesel	1910	4	246	960
03/06→11/11	159 SPORTWAGON 1.9	939 A2.000	Diesel	1910	4	248	961



ccm

X



9



03/06→11/11	159 SPORTWAGON 1.9	939 A6.000	Petrol	1859	4	508	1174
05/09→11/11	159 SPORTWAGON 2.0	844 A2.000	Diesel	1956	4		1034
05/09→11/11	159 SPORTWAGON 2.0	939 B3.000	Diesel	1956	4	341	1032
06/10→11/11	159 SPORTWAGON 2.0	939 B4.000	Diesel	1956	4	340	1035
03/06→11/11	159 SPORTWAGON 2.2	939 A5.000	Petrol	2198	4	518	1174
03/06→11/11	159 SPORTWAGON 2.4	939 A3.000	Diesel	2387	5	287	988
05/07→11/11	159 SPORTWAGON 2.4	939 A9.000	Diesel	2387	5	288	989
03/06→11/11	159 SPORTWAGON 3.2	939 A.000	Petrol	3196	V6	573	
06/87→12/90	164 2.0	AR 06420	Petrol	1995	4	422	1149
06/87→09/98	164 2.0	AR 06416	Petrol	1995	4	422	1149
10/87→09/98	164 2.0	AR 06476	Petrol	1995	4	480	1150
11/87→09/98	164 2.0	AR 64103	Petrol	1995	4	412	1151
03/91→09/92	164 2.0	AR 64101	Petrol	1996	V6	161	902
09/92→09/98	164 2.0	AR 64102	Petrol	1996	V6	162	902
06/87→09/92	164 2.5	VM 84 A	Diesel	2499	4	611	1248
09/92→09/98	164 2.5	AR 66201	Petrol	2492	V6	600	1241
09/92→09/98	164 2.5	VM 08 B	Diesel	2499	4	609	1248
09/92→09/98	164 2.5	VM 32 B	Diesel	2499	4	610	1248
06/87→09/92	164 3.0	AR 06410	Petrol	2959	V6	689	1326
06/87→09/92	164 3.0	AR 06412	Petrol	2959	V6	689	1326
09/90→09/92	164 3.0	AR 06430	Petrol	2959	V6	690	1324
09/90→09/92	164 3.0	AR 64301	Petrol	2959	V6	698	1326
09/92→09/98	164 3.0	AR 64303	Petrol	2959	V6	699	
09/92→09/98	164 3.0	AR 64304	Petrol	2959	V6	700	1328
09/92→09/98	164 3.0	AR 64305	Petrol	2959	V6	701	1327
09/92→09/98	164 3.0	AR 64306	Petrol	2959	V6	702	1324
09/92→09/98	164 3.0	AR 64399	Petrol	2959	V6	705	1324
09/92→09/98	164 3.0	AR 66301	Petrol	2959	V6	704	1324
09/92→09/98	164 3.0	AR 66302	Petrol	2959	6	704	1324
09/92→09/98	164 3.0	AR 66303	Petrol	2959	V6	701	1327
11/92→09/98	164 3.0	AR 64307	Petrol	2959	V6	703	1324
02/94→09/98	164 3.0	AR 64308	Petrol	2959	V6	704	1324
03/95→10/97	164 3.0	AR 66306	Petrol	2959	V6	706	1324
09/98→10/00	166 2.0	AR 34102	Petrol	1996	V6	160	901
09/98→10/00	166 2.0	AR 34103	Petrol	1970	4	349	1038
10/00→06/07	166 2.0	AR 36301	Petrol	1970	4	350	1040
09/98→10/00	166 2.4	AR 34202	Diesel	2387	5	290	973
10/00→06/07	166 2.4	839 A6.000	Diesel	2387	5	274	976
04/02→06/07	166 2.4	841 C000	Diesel	2387	5	277	976
10/03→06/07	166 2.4	841 G.000	Diesel	2387	5	278	978
10/03→06/07	166 2.4	841 H.000	Diesel	2387	5	281	980
10/03→06/07	166 2.4	841 M.000	Diesel	2387	5	282	978
10/03→06/07	166 2.4	841 N.000	Diesel	2387	5		984
07/05→06/07	166 2.4	936 B.000	Diesel	2387	5	285	986
09/98→10/00	166 2.5	AR 34201	Petrol	2492	V6	597	1242
10/00→06/07	166 2.5	AR 36201	Petrol	2492	V6	599	1242
09/98→10/00	166 3.0	AR 34301	Petrol	2959	V6	694	1323
09/98→10/00	166 3.0	AR 34302	Petrol	2959	V6	695	1324
10/00→06/07	166 3.0	AR 36101	Petrol	2959	V6	696	1323
10/03→06/07	166 3.2	936 A.000	Petrol	3179	V6	708	
03/68→10/72	1750-2000 1.8	AR 00548	Petrol	1779	4	152	898
10/71→12/83	1750-2000 2.0	AR 10520	Petrol	1962	4	424	1108
01/67→12/83	A11 / A12 PLATFORM/CHASSIS 1.3	AR 00504	Petrol	1290	4		833
06/72→09/84	ALFASUD 1.2	AR 30102	Petrol	1186	4	130	878
11/73→09/84	ALFASUD 1.2	AR 30104	Petrol	1186	4	131	880
03/80→09/84	ALFASUD 1.2	AR 30102 S	Petrol	1186	4	130	879
09/77→09/84	ALFASUD 1.3	AR 30164	Petrol	1351	4	136	880
09/77→09/84	ALFASUD 1.3	AR 30184	Petrol	1286	4	360	1048
01/78→02/80	ALFASUD 1.3	AR 30180	Petrol	1286	4	134	879
01/79→09/84	ALFASUD 1.3	AR 30160	Petrol	1351	4	131	878
03/80→12/84	ALFASUD 1.3	AR 30168	Petrol	1351	4	137	880
01/79→09/84	ALFASUD 1.5	AR 30124	Petrol	1490	4	361	1049
03/80→12/84	ALFASUD 1.5	AR 30128	Petrol	1490	4	361	1049
01/83→12/84	ALFASUD 1.5	AR 30146	Petrol	1490	4	363	1049
01/78→12/81	ALFASUD GIARDINETTA 1.2	AR 30102	Petrol	1186	4	130	878
01/78→07/79	ALFASUD GIARDINETTA 1.3	AR 30180	Petrol	1286	4	134	879
03/80→12/81	ALFASUD GIARDINETTA 1.3	AR 30160	Petrol	1351	4	131	878
09/76→12/81	ALFASUD SPRINT 1.3	AR 30184	Petrol	1286	4	360	1048
05/78→02/80	ALFASUD SPRINT 1.3	AR 30164	Petrol	1351	4	136	880
07/79→12/89	ALFASUD SPRINT 1.3	AR 30168	Petrol	1351	4	137	880
05/78→12/81	ALFASUD SPRINT 1.5	AR 30124	Petrol	1490	4	361	1049
07/79→01/87	ALFASUD SPRINT 1.5	AR 30128	Petrol	1490	4	361	1049



ccm

X



9



01/80→12/87	ALFASUD SPRINT 1.5	AR 30146	Petrol	1490	4	363	1049
03/87→12/89	ALFASUD SPRINT 1.7	AR 30550	Petrol	1712	4	563	1216
10/87→12/89	ALFASUD SPRINT 1.7	AR 30558	Petrol	1712	4	564	1217
01/75→12/84	ALFETTA 1.6	AR 01600	Petrol	1570	4	110	856
07/74→12/77	ALFETTA 1.8	AR 01608 X	Petrol	1779	4	155	898
10/79→12/84	ALFETTA 1.8	AR 01608	Petrol	1779	4	154	898
10/79→12/84	ALFETTA 1.8	AR 01678	Petrol	1779	4	154	898
03/77→02/80	ALFETTA 2.0	AR 01623	Petrol	1962	4	419	1102
07/78→12/84	ALFETTA 2.0	AR 01655	Petrol	1962	4	420	1103
07/78→12/84	ALFETTA 2.0	AR 01713	Petrol	1962	4	421	1098
07/78→12/84	ALFETTA 2.0	AR 10520	Petrol	1962	4	424	1108
10/79→03/83	ALFETTA 2.0	VM4HT/2	Diesel	1995	4	579	1228
04/83→12/84	ALFETTA 2.4	VM4HT 2.4	Diesel	2393	4	606	1246
01/76→09/82	ALFETTA GT 1.6	AR 01600	Petrol	1570	4	110	856
01/74→12/76	ALFETTA GT 1.8	AR 01608	Petrol	1779	4	154	898
01/74→12/76	ALFETTA GT 1.8	AR 01608 X	Petrol	1779	4	155	898
06/77→12/84	ALFETTA GT 2.0	AR 01655	Petrol	1962	4	420	1103
07/78→01/86	ALFETTA GT 2.0	AR 01623	Petrol	1962	4	419	1102
04/85→12/89	AR 6 BOX 1.9	160 D100	Diesel	1929	4	317	1008
04/85→02/86	AR 6 BOX 2.4	8144.61.200	Diesel	2445	4	630	1261
09/86→12/89	AR 6 BOX 2.4	8144.21.220	Diesel	2445	4	625	1253
03/86→12/89	AR 6 BOX 2.5	8144.67.220	Diesel	2499	4	666	1305
04/85→12/89	AR 6 BUS 1.9	160 D100	Diesel	1929	4	317	1008
04/78→08/86	AR 8 BOX 2.4	8140.61.200	Diesel	2445	4	619	1261
04/85→12/89	AR 8 BOX 2.4	8140.21.200 D.I.	Diesel	2445	4	615	1253
09/86→12/89	AR 8 BOX 2.5	8144.67.220	Diesel	2499	4	666	1305
04/78→08/86	AR 8 PLATFORM/CHASSIS 2.4	8140.61.200	Diesel	2445	4	619	1261
04/85→12/88	AR 8 PLATFORM/CHASSIS 2.4	8140.21.200 D.I.	Diesel	2445	4	615	1253
09/86→12/89	AR 8 PLATFORM/CHASSIS 2.5	8144.67.220	Diesel	2499	4	666	1305
03/83→12/86	ARNA 1.2	AR 30102	Petrol	1186	4	130	878
01/85→12/86	ARNA 1.2	AR 30500	Petrol	1186	4	130	881
01/85→12/86	ARNA 1.2	AR 31000	Petrol	1186	4	133	878
03/83→12/86	ARNA 1.3	AR 30168	Petrol	1351	4	137	880
03/83→12/86	ARNA 1.3	AR 31010	Petrol	1351	4	141	878
01/85→12/86	ARNA 1.3	AR 30100	Petrol	1351	4	135	884
01/85→12/86	ARNA 1.5	AR 30182	Petrol	1490	4	364	1049
05/09→	BRERA 1.8	939 B1.000	Petrol	1742	4	329	1019
03/08→	BRERA 2.0	844 A2.000	Diesel	1956	4		1034
05/09→	BRERA 2.0	939 B3.000	Diesel	1956	4	341	1032
01/06→	BRERA 2.2	939 A5.000	Petrol	2198	4	518	1174
01/06→	BRERA 2.4	939 A3.000	Diesel	2387	5	287	988
05/07→	BRERA 2.4	939 A9.000	Diesel	2387	5	288	989
01/06→	BRERA 3.2	939 A.000	Petrol	3196	V6	573	
01/67→12/83	F11 / F12 BOX 1.3	AR 00504	Petrol	1290	4		833
01/67→12/83	F11 / F12 BUS 1.3	AR 00504	Petrol	1290	4		833
01/64→08/69	GIULIA 1.3	AR 00506	Petrol	1290	4		834
01/74→12/78	GIULIA 1.3	AR 00530	Petrol	1290	4	84	835
01/63→12/78	GIULIA 1.6	AR 00516	Petrol	1570	4		855
06/64→12/78	GIULIA 1.6	AR 00526	Petrol	1570	4	108	856
06/76→12/78	GIULIA 1.8	4.108	Diesel	1760	4	115	863
01/74→12/78	GIULIA GT 1.3	AR 00530	Petrol	1290	4	84	835
01/62→12/64	GIULIA GT 1.6	AR 00112	Petrol	1570	4		855
01/63→12/65	GIULIA GT 1.6	AR 00121	Petrol	1570	4		855
01/74→12/78	GIULIA GT 1.6	AR 00526	Petrol	1570	4	108	856
03/62→12/66	GIULIA SPIDER 1.6	AR 00112	Petrol	1570	4		855
03/62→12/66	GIULIA SPIDER 1.6	AR 00121	Petrol	1570	4		855
10/77→06/83	GIULIETTA 1.3	AR 01644	Petrol	1357	4	142	886
04/10→	GIULIETTA 1.4	198 A4.000	Petrol	1368	4	68	815
04/10→	GIULIETTA 1.4	940 A2.000	Petrol	1368	4	78	820
04/10→	GIULIETTA 1.4	940 A6.000	Petrol	1368	4	79	827
04/10→	GIULIETTA 1.4	955 A8.000	Petrol	1368	4	78	820
04/11→	GIULIETTA 1.4	940 B1.000	Petrol	1368	4	80	828
10/77→04/85	GIULIETTA 1.6	AR 01600	Petrol	1570	4	110	856
04/10→	GIULIETTA 1.6	940 A3.000	Diesel	1598	4	116	869
04/79→04/85	GIULIETTA 1.8	AR 01678	Petrol	1779	4	154	898
01/84→12/85	GIULIETTA 1.8	AR 01354	Petrol	1779	4	153	899
04/10→	GIULIETTA 1.8	940 A1.000	Petrol	1742	4	329	1020
06/80→04/85	GIULIETTA 2.0	AR 01655	Petrol	1962	4	420	1103
06/80→04/85	GIULIETTA 2.0	AR 11671	Petrol	1962	4	425	1102
01/83→12/85	GIULIETTA 2.0	VM 4 HT	Diesel	1995	4	578	1227
07/83→06/84	GIULIETTA 2.0	AR 01699	Petrol	1962	4		1104
04/10→	GIULIETTA 2.0	940 A4.000	Diesel	1956	4	341	1030



ccm

X



9



04/10→	GIULIETTA 2.0	940 A5.000	Diesel	1956	4	340	1035
04/10→	GIULIETTA 2.0	940 A7.000	Diesel	1956	4		1035
04/10→	GIULIETTA 2.0	940 A8.000	Diesel	1956	4		1035
01/55→12/57	GIULIETTA BERLINA 1.3	AR 00500	Petrol	1290	4		833
01/57→12/62	GIULIETTA BERLINA 1.3	AR 00502	Petrol	1290	4		833
01/58→12/60	GIULIETTA BERLINA 1.3	AR 00504	Petrol	1290	4		833
01/58→12/61	GIULIETTA COUPE 1.3	AR 00514	Petrol	1290	4		833
01/57→12/62	GIULIETTA ESTATE 1.3	AR 00500	Petrol	1290	4		833
01/59→12/62	GIULIETTA ESTATE 1.3	AR 00504	Petrol	1290	4		833
01/55→12/62	GIULIETTA SPIDER 1.3	AR 00501	Petrol	1290	4		833
01/56→12/62	GIULIETTA SPIDER 1.3	AR 00510	Petrol	1290	4		833
01/61→12/62	GIULIETTA SPIDER 1.3	AR 00508	Petrol	1290	4		833
01/54→12/62	GIULIETTA SPRINT 1.3	AR 00501	Petrol	1290	4		833
01/56→12/62	GIULIETTA SPRINT 1.3	AR 00510	Petrol	1290	4		833
01/58→12/61	GIULIETTA SPRINT SPECIALE 1.3	AR 00514	Petrol	1290	4		833
01/66→12/77	GT 1.3	AR 00530	Petrol	1290	4	84	835
03/63→12/77	GT 1.6	AR 00526 S	Petrol	1570	4		857
01/65→12/70	GT 1.6	AR 10538	Petrol	1570	4		861
01/66→12/77	GT 1.6	AR 00536	Petrol	1570	4	109	856
01/67→12/72	GT 1.8	AR 00548	Petrol	1779	4	152	898
11/03→09/10	GT 1.8	AR 32205	Petrol	1747	4	204	933
01/71→12/77	GT 1.9	AR 10527	Petrol	1962	4	425	1098
11/03→09/10	GT 1.9	937 A5.000	Diesel	1910	4	241	946
05/08→09/10	GT 1.9	937 A6.000	Diesel	1910	4	242	956
11/03→09/10	GT 2.0	932 A2.000	Petrol	1970	4	343	1036
11/03→09/10	GT 2.0	937 A1.000	Petrol	1970	4	344	1037
11/03→09/10	GT 3.2	936 A.000	Petrol	3179	V6	708	
05/68→12/76	GTA COUPE 1.3	AR 10531	Petrol	1290	4		836
05/68→12/76	GTA COUPE 1.3	AR 10534	Petrol	1290	4		836
05/98→10/05	GTV 1.7	AR 32201	Petrol	1747	4	203	933
01/78→12/80	GTV 2.0	AR 11642	Petrol	1962	4	426	1104
07/78→01/86	GTV 2.0	AR 01655	Petrol	1962	4	420	1103
07/78→01/86	GTV 2.0	AR 06212	Petrol	1962	4	421	1103
06/95→09/98	GTV 2.0	AR 16202	Petrol	1996	V6	159	901
06/95→10/05	GTV 2.0	AR 16201	Petrol	1970	4	345	1038
06/95→10/05	GTV 2.0	AR 32310	Petrol	1970	4	348	1040
05/98→08/00	GTV 2.0	AR 32301	Petrol	1970	4	346	1038
04/03→10/05	GTV 2.0	937 A1.000	Petrol	1970	4	344	1037
11/80→02/87	GTV 2.5	AR 01646	Petrol	2492	V6	593	1238
10/96→10/00	GTV 3.0	AR 16102	Petrol	2959	V6	692	1323
10/00→10/05	GTV 3.0	AR 16105	Petrol	2959	V6	693	1323
04/03→10/05	GTV 3.2	936 A6.000	Petrol	3179	V6	709	
07/11→	MITO 0.9	312 A2.000	Petrol	875	2		921
04/13→	MITO 0.9	199 B6.000	Petrol	875	2		920
09/08→	MITO 1.3	199 A3.000	Diesel	1248	4	27	779
10/09→	MITO 1.3	199 B1.000	Diesel	1248	4	30	780
01/11→	MITO 1.3	199 B4.000	Diesel	1248	4	31	782
09/08→	MITO 1.4	198 A1.000	Petrol	1368	4	68	815
09/08→	MITO 1.4	198 A4.000	Petrol	1368	4	68	815
09/08→	MITO 1.4	199 A6.000	Petrol	1368	4	72	818
09/08→	MITO 1.4	199 A8.000	Petrol	1368	4	70	815
09/08→	MITO 1.4	955 A1.000	Petrol	1368	4	79	813
10/09→	MITO 1.4	940 A2.000	Petrol	1368	4	78	820
10/09→	MITO 1.4	955 A2.000	Petrol	1368	4	78	821
10/09→	MITO 1.4	955 A7.000	Petrol	1368	4	78	820
10/09→	MITO 1.4	955 A8.000	Petrol	1368	4	78	820
08/10→	MITO 1.4	955 A6.000	Petrol	1368	4	81	821
03/11→	MITO 1.4	350 A1.000	Petrol	1368	4	74	825
05/11→	MITO 1.4	955 A9.000	Petrol	1368	4	82	829
09/08→	MITO 1.6	198 A2.000	Diesel	1598	4	116	864
09/08→	MITO 1.6	955 A3.000	Diesel	1598	4	116	864
09/08→	MITO 1.6	955 A4.000	Diesel	1598	4	116	869
01/92→12/94	RZ 3.0	AR 61501	Petrol	2959	V6	697	1324
01/68→12/77	SPIDER 1.3	AR 00530	Petrol	1290	4	84	835
03/66→12/90	SPIDER 1.6	AR 00526	Petrol	1570	4	108	856
03/66→12/79	SPIDER 1.6	AR 00536	Petrol	1570	4	109	856
03/66→12/68	SPIDER 1.6	AR 01600	Petrol	1570	4	110	856
01/90→12/93	SPIDER 1.6	AR 01563	Petrol	1570	4	113	860
05/98→04/05	SPIDER 1.7	AR 32201	Petrol	1747	4	203	933
01/67→12/71	SPIDER 1.8	AR 00548	Petrol	1779	4	152	898
05/09→	SPIDER 1.8	939 B1.000	Petrol	1742	4	329	1019
01/71→12/77	SPIDER 2.0	AR 00512	Petrol	1962	4	414	1097

Modelverzeichnis • Indice modello • Index de modèle • Índice de Modelo
Indeks modelu • Модель автомобиля • دليل الموديل

MODEL INDEX



ccm

X



9



01/74→12/84	SPIDER 2.0	AR 01615	Petrol	1962	4		1098
01/77→12/93	SPIDER 2.0	AR 00515	Petrol	1962	4	415	1098
01/77→12/93	SPIDER 2.0	AR 01590	Petrol	1962	4	418	1098
08/86→12/90	SPIDER 2.0	AR 01544	Petrol	1962	4	416	1100
01/90→12/93	SPIDER 2.0	AR 01588	Petrol	1962	4	417	1101
06/95→04/05	SPIDER 2.0	AR 16201	Petrol	1970	4	345	1038
06/95→04/05	SPIDER 2.0	AR 32310	Petrol	1970	4	348	1040
05/98→08/00	SPIDER 2.0	AR 32301	Petrol	1970	4	346	1038
05/98→04/05	SPIDER 2.0	AR 16202	Petrol	1996	V6	159	901
04/03→04/05	SPIDER 2.0	937 A1.000	Petrol	1970	4	344	1037
04/09→	SPIDER 2.0	844 A2.000	Diesel	1956	4		1034
05/09→	SPIDER 2.0	939 B3.000	Diesel	1956	4	341	1032
09/06→	SPIDER 2.2	939 A5.000	Petrol	2198	4	518	1174
04/07→	SPIDER 2.4	939 A3.000	Diesel	2387	5	287	988
09/94→08/00	SPIDER 3.0	AR 16105	Petrol	2959	V6	693	1323
06/95→04/05	SPIDER 3.0	AR 16101	Petrol	2959	V6	691	1327
01/99→10/03	SPIDER 3.0	AR 16102	Petrol	2959	V6	692	1323
04/03→04/05	SPIDER 3.2	936 A6.000	Petrol	3179	V6	709	
09/06→	SPIDER 3.2	939 A.000	Petrol	3196	V6	573	
09/88→08/94	SZ 3.0	AR 61501	Petrol	2959	V6	697	1324



ccm

X



9



12/68→07/75	124 1.4	124 B2.000	Petrol	1438	4	144	888
01/71→07/75	124 1.4	124 AC.000	Petrol	1438	4	143	887
06/67→10/72	124 COUPE 1.4	124 AC.000	Petrol	1438	4	143	887
08/72→12/75	124 COUPE 1.6	132 AC.000	Petrol	1592	4	148	895
01/66→12/72	124 SPIDER 1.4	124 AC.000	Petrol	1438	4	143	887
01/69→12/74	124 SPIDER 1.6	132 AC.000	Petrol	1592	4	148	895
01/72→12/77	124 SPIDER 1.8	132 AC1.000	Petrol	1756	4	394	1076
03/82→11/85	124 SPIDER 2.0	132 C3.031	Petrol	1995	4	432	1113
07/67→03/74	125 1.6	125 A.000	Petrol	1608	4	150	897
05/69→10/73	125 1.6	125 B.000	Petrol	1608	4	151	897
09/72→06/77	126 0.6	126 A.000	Petrol	594	2	83	831
07/77→09/87	126 0.6	126 A1.000	Petrol	652	2	102	850
07/77→09/00	126 0.7	126 A1.048	Petrol	652	2	102	850
09/87→06/96	126 0.7	126 A2.000	Petrol	704	2	164	904
09/87→06/96	126 0.7	126 A2.048	Petrol	704	2	164	904
06/71→05/83	127 0.9	100 GL.000	Petrol	903	4	8	758
06/71→05/83	127 0.9	100 GL.048	Petrol	903	4	9	751
04/77→12/86	127 1.0	127 A.000	Petrol	1049	4	88	839
07/78→02/82	127 1.0	127 A1.000	Petrol	1049	4	89	840
04/81→12/86	127 1.3	127 A5.000	Diesel	1302	4	95	846
12/81→05/83	127 1.3	127 A3.000	Petrol	1301	4	100	844
01/77→12/86	127 PANORAMA 1.0	127 A.000	Petrol	1049	4	88	839
06/81→12/86	127 PANORAMA 1.3	127 A5.000	Diesel	1302	4	95	846
03/69→12/84	128 1.1	128 A.000	Petrol	1116	4	118	871
02/75→09/81	128 1.1	128 A.048	Petrol	1116	4	119	871
09/71→02/76	128 1.3	128 AR.000	Petrol	1290	4		1173
08/74→12/84	128 1.3	128 A1.000	Petrol	1290	4	506	1172
03/72→02/81	128 COUPE 1.1	128 AC5.000	Petrol	1116	4	120	872
03/72→12/79	128 COUPE 1.3	128 AC.000	Petrol	1290	4	506	1172
10/69→10/82	128 FAMILIARE 1.1	128 A.000	Petrol	1116	4	118	871
02/75→02/81	128 FAMILIARE 1.1	128 A.048	Petrol	1116	4	119	871
12/74→10/82	128 FAMILIARE 1.3	128 A1.000	Petrol	1290	4	506	1172
10/74→09/81	131 1.3	131 A6.000	Petrol	1297	4	92	843
10/74→12/82	131 1.3	131 A.000	Petrol	1297	4		842
03/78→12/80	131 1.3	131 B.000	Petrol	1297	4		843
11/80→01/84	131 1.4	131 C.000	Petrol	1367	4	104	852
11/80→01/84	131 1.4	131 C1.000	Petrol	1367	4	105	852
10/74→09/81	131 1.6	131 A1.000	Petrol	1585	4	372	1056
11/76→12/84	131 1.6	131 C2.000	Petrol	1585	4	374	1059
03/78→01/84	131 1.6	131 C3.000	Petrol	1585	4	375	1060
03/79→03/82	131 1.6	131 B1.000	Petrol	1585	4	373	1058
01/76→12/81	131 2.0	131 B2.000	Petrol	1995	4	427	1109
07/78→08/84	131 2.0	8144.65	Diesel	1995	4	577	1226
01/81→12/84	131 2.0	131 C4.000	Petrol	1995	4	428	1110
06/78→02/84	131 2.4	8144.61	Diesel	2428	4	612	1250
03/75→12/78	131 FAMILIARE/PANORAMA 1.3	131 A6.000	Petrol	1297	4	92	843
03/75→03/82	131 FAMILIARE/PANORAMA 1.3	131 A.000	Petrol	1297	4		842
11/81→01/84	131 FAMILIARE/PANORAMA 1.4	131 C.000	Petrol	1367	4	104	852
11/81→01/84	131 FAMILIARE/PANORAMA 1.4	131 C1.000	Petrol	1367	4	105	852
03/75→12/78	131 FAMILIARE/PANORAMA 1.6	131 A1.000	Petrol	1585	4	372	1056
12/79→12/81	131 FAMILIARE/PANORAMA 1.6	131 C3.000	Petrol	1585	4	375	1060
11/80→04/85	131 FAMILIARE/PANORAMA 1.6	131 C2.000	Petrol	1585	4	374	1059
07/78→08/84	131 FAMILIARE/PANORAMA 2.0	8144.65	Diesel	1995	4	577	1226
01/81→12/84	131 FAMILIARE/PANORAMA 2.0	131 C4.000	Petrol	1995	4	428	1110
03/79→12/84	131 FAMILIARE/PANORAMA 2.4	8144.61	Diesel	2428	4	612	1250
04/72→01/76	132 1.6	132 BB OA O	Petrol	1592	4	149	896
01/76→12/82	132 1.6	132 C.000	Petrol	1585	4	376	1058
03/77→12/81	132 1.6	132 C6.000	Petrol	1585	4	377	1061
04/72→01/77	132 1.7	132 B1.000	Petrol	1756	4	396	1079
05/77→06/81	132 2.0	132 C2.000	Petrol	1995	4	430	1112
07/78→07/82	132 2.0	8144.65	Diesel	1995	4	577	1226
01/80→12/82	132 2.0	132 C3.000	Petrol	1995	4	431	1112
07/78→07/82	132 2.4	8144.61	Diesel	2428	4	612	1250
10/76→12/95	147 1.0	127 A.000	Petrol	1049	4	88	839
07/82→06/84	147 1.3	127 A5.000	Diesel	1302	4	95	846
09/66→06/82	238-SERIE 1.4	131 AZ.000	Petrol	1440	4		890
06/76→06/82	238-SERIE 1.4	131 BZ OCO	Petrol	1440	4		890
06/76→06/82	238-SERIE 1.4	131 FZ	Petrol	1440	4		890
10/75→07/82	242-SERIE BOX 1.6	124 B3.000	Petrol	1585	4	371	1055
10/75→07/82	242-SERIE BOX 1.9	132 AZ2.000	Petrol	1995	4	429	1061
08/80→07/82	242-SERIE BOX 2.5	B 25.637	Diesel	2498	4		1273
10/75→07/82	242-SERIE BUS 1.6	124 B3.000	Petrol	1585	4	371	1055



ccm

x



9



10/75→07/82	242-SERIE BUS 1.9	132 A22.000	Petrol	1995	4	429	1061
	400 SERIE	8035.01	Diesel	2338	3		1347
01/65→12/75	500 0.5	110 F.000	Petrol	499	2	21	772
01/65→12/75	500 0.5	120.000	Petrol	499	2	21	772
07/10→	500 0.9	312 A2.000	Petrol	875	2		922
10/13→	500 0.9	199 B6.000	Petrol	875	2		920
10/07→	500 1.2	169 A1.000	Diesel	1248	4	22	773
10/07→	500 1.2	169 A4.000	Petrol	1242	4	45	797
12/09→	500 1.3	199 B1.000	Diesel	1248	4	30	780
10/07→	500 1.4	169 A3.000	Petrol	1368	4	65	813
08/08→	500 1.4	312 A1.000	Petrol	1368	4	75	821
08/08→	500 1.4	312 A3.000	Petrol	1368	4	68	822
09/09→	500 C 0.9	312 A2.000	Petrol	875	2		922
12/13→	500 C 0.9	199 B6.000	Petrol	875	2		920
09/09→	500 C 1.2	169 A1.000	Diesel	1248	4	22	773
09/09→	500 C 1.2	169 A4.000	Petrol	1242	4	45	797
09/09→	500 C 1.3	199 B1.000	Diesel	1248	4	30	780
09/09→	500 C 1.4	169 A3.000	Petrol	1368	4	65	813
09/09→	500 C 1.4	312 A3.000	Petrol	1368	4	68	822
01/11→	500 C 1.4	312 A1.000	Petrol	1368	4	75	821
01/60→12/66	500 ESTATE 0.5	120.000	Petrol	499	2	21	772
09/12→	500L 0.9	199 B6.000	Petrol	875	2		920
03/13→	500L 0.9	312 A2.000	Petrol	875	2		922
09/12→	500L 1.3	199 B4.000	Diesel	1248	4	32	782
09/12→	500L 1.4	843 A1.000	Petrol	1368	4	77	818
09/12→	500L 1.6	199 B5.000	Diesel	1598	4	117	
09/13→	500L 1.6	955 A3.000	Diesel	1598	4	116	864
07/64→10/72	850 0.8	100 G.000	Petrol	843	4	4	751
07/64→10/72	850 0.8	100 G.002	Petrol	843	4	4	752
03/68→10/72	850 0.8	100 GB.000	Petrol	843	4	4	753
02/68→10/72	850 COUPE 0.9	100 GL.040	Petrol	903	4		759
03/68→12/72	850 SPIDER 0.9	100 GL.040	Petrol	903	4		759
01/78→01/86	900 T/E PANORAMA 0.9	100 GF.000	Petrol	903	4	8	758
01/78→01/86	900 T/E PULMINO 0.9	100 GF.000	Petrol	903	4	8	758
04/81→12/85	ARGENTA 1.6	132 D.000	Petrol	1585	4	378	1058
06/78→12/85	ARGENTA 2.0	132 C2.000	Petrol	1995	4	430	1112
06/78→12/85	ARGENTA 2.0	132 D1.000	Petrol	1995	4	430	1112
06/81→07/86	ARGENTA 2.0	132 C3.000	Petrol	1995	4	431	1112
06/81→11/85	ARGENTA 2.4	8144.61	Diesel	2428	4	612	1250
07/83→08/85	ARGENTA 2.4	8144.61.500.81	Diesel	2445	4	631	1270
04/95→05/05	BARCHETTA 1.8	183 A1.000	Petrol	1747	4	197	929
04/95→05/05	BARCHETTA 1.8	188 A6.000	Petrol	1747	4	198	931
12/98→12/02	BRAVA 1.2	182 B2.000	Petrol	1242	4	57	807
10/00→10/01	BRAVA 1.2	188 A5.000	Petrol	1242	4	60	810
10/95→08/98	BRAVA 1.4	182 A3.000	Petrol	1370	4	184	923
10/95→10/01	BRAVA 1.4	182 A5.000	Petrol	1370	4	185	923
10/95→10/01	BRAVA 1.6	182 A6.000	Petrol	1581	4	553	1210
02/96→10/01	BRAVA 1.6	182 A4.000	Petrol	1581	4	551	1208
01/99→12/02	BRAVA 1.6	182 B6.000	Petrol	1596	4	181	916
10/95→10/01	BRAVA 1.8	182 A2.000	Petrol	1747	4	194	929
10/95→10/01	BRAVA 1.9	160 A7.000	Diesel	1929	4	313	1001
03/96→10/01	BRAVA 1.9	182 A7.000	Diesel	1910	4	208	936
03/96→10/01	BRAVA 1.9	182 A8.000	Diesel	1910	4	209	936
12/98→12/02	BRAVA 1.9	182 B4.000	Diesel	1910	4	210	937
09/00→10/01	BRAVA 1.9	182 B9.000	Diesel	1910	4	211	939
09/98→08/00	BRAVA 2.0	182 B7.000	Petrol	1998	5	262	968
12/98→10/01	BRAVO I 1.2	182 B2.000	Petrol	1242	4	57	807
10/00→10/01	BRAVO I 1.2	188 A5.000	Petrol	1242	4	60	810
10/95→10/01	BRAVO I 1.4	182 A3.000	Petrol	1370	4	184	923
10/95→10/01	BRAVO I 1.4	182 A5.000	Petrol	1370	4	185	923
10/95→10/01	BRAVO I 1.6	182 A6.000	Petrol	1581	4	553	1210
03/96→10/01	BRAVO I 1.6	182 A4.000	Petrol	1581	4	551	1208
09/00→02/02	BRAVO I 1.6	182 B6.000	Petrol	1596	4	181	916
10/95→10/01	BRAVO I 1.8	182 A2.000	Petrol	1747	4	194	929
10/95→10/01	BRAVO I 1.9	160 A7.000	Diesel	1929	4	313	1001
03/96→10/01	BRAVO I 1.9	182 A7.000	Diesel	1910	4	208	936
03/96→10/01	BRAVO I 1.9	182 A8.000	Diesel	1910	4	209	936
12/98→10/01	BRAVO I 1.9	182 B4.000	Diesel	1910	4	210	937
09/00→10/01	BRAVO I 1.9	182 B9.000	Diesel	1910	4	211	939
10/95→07/98	BRAVO I 2.0	182 A1.000	Petrol	1998	5	260	966
07/98→10/01	BRAVO I 2.0	182 B7.000	Petrol	1998	5	262	968
04/07→	BRAVO II 1.4	192 B2.000	Petrol	1368	4	66	813



ccm

X



9



09/07→	BRAVO II 1.4	198 A1.000	Petrol	1368	4	69	815
09/07→	BRAVO II 1.4	198 A4.000	Petrol	1368	4	69	815
03/08→	BRAVO II 1.4	198 A7.000	Petrol	1368	4	68	815
03/08→	BRAVO II 1.6	198 A2.000	Diesel	1598	4	116	864
03/08→	BRAVO II 1.6	198 A3.000	Diesel	1598	4	116	865
03/08→	BRAVO II 1.6	198 A6.000	Diesel	1598	4	117	866
11/08→	BRAVO II 1.6	955 A4.000	Diesel	1598	4	117	869
11/06→	BRAVO II 1.9	192 A1.000	Diesel	1910	4	221	945
11/06→	BRAVO II 1.9	192 B4.000	Diesel	1910	4	227	949
04/07→12/08	BRAVO II 1.9	192 B5.000	Diesel	1910	4	228	948
04/07→	BRAVO II 1.9	192 A8.000	Diesel	1910	4	225	947
04/07→	BRAVO II 1.9	937 A5.000	Diesel	1910	4	240	946
09/08→	BRAVO II 2.0	198 A5.000	Diesel	1956	4	341	1030
09/08→	BRAVO II 2.0	844 A2.000	Diesel	1956	4	342	1034
03/08→	BRAVO VAN 1.6	198 A3.000	Diesel	1598	4	116	865
06/74→10/89	CAMPAGNOLA 2.0	6132 AZ 2.000	Petrol	1995	4	479	1148
06/74→10/89	CAMPAGNOLA 2.4	8144.61.200	Diesel	2445	4	628	1268
12/91→01/96	CINQUECENTO 0.7	170 A.000	Petrol	704	2	165	905
07/94→01/98	CINQUECENTO 0.7	170 A.046	Petrol	704	2	165	906
07/91→12/93	CINQUECENTO 0.9	170 A1.000	Petrol	903	4	14	763
07/91→12/93	CINQUECENTO 0.9	170 A1.046	Petrol	903	4	15	763
07/91→07/99	CINQUECENTO 0.9	1170 A1.000	Petrol	899	4	5	755
07/91→07/99	CINQUECENTO 0.9	1170 A1.046	Petrol	899	4	6	756
10/94→01/98	CINQUECENTO 1.1	176 B2.000	Petrol	1108	4	38	787
03/96→08/00	COUPE 1.8	183 A1.000	Petrol	1747	4	197	929
11/93→08/96	COUPE 2.0	175 A1.000	Petrol	1995	4	443	1125
11/93→08/96	COUPE 2.0	836 A3.000	Petrol	1995	4	476	1121
08/96→04/98	COUPE 2.0	182 A1.000	Petrol	1998	5	260	966
08/96→08/00	COUPE 2.0	175 A3.000	Petrol	1998	5	259	965
04/98→08/00	COUPE 2.0	182 B3.000	Petrol	1998	5	261	967
12/85→12/90	CROMA 1.6	154 A.048	Petrol	1585	4	384	1067
12/05→	CROMA 1.8	939 A4.000	Petrol	1796	4	182	917
05/89→10/92	CROMA 1.9	154 C6.000	Diesel	1929	4	310	1004
11/92→12/96	CROMA 1.9	154 D1.000	Diesel	1929	4	310	1005
06/05→	CROMA 1.9	939 A1.000	Diesel	1910	4	247	945
06/05→	CROMA 1.9	939 A2.000	Diesel	1910	4	249	961
06/05→	CROMA 1.9	939 A7.000	Diesel	1910	4	227	960
12/05→	CROMA 1.9	939 A8.000	Diesel	1910	4	252	962
12/85→02/89	CROMA 2.0	154 A1.000	Petrol	1995	4	434	1114
12/85→06/90	CROMA 2.0	154 A2.000	Petrol	1995	4	435	1115
03/86→09/90	CROMA 2.0	834 B.048	Petrol	1995	4	455	1136
11/86→08/96	CROMA 2.0	834 C.146	Petrol	1995	4	464	1141
03/87→09/92	CROMA 2.0	154 C3.000	Petrol	1995	4	436	1116
03/87→09/92	CROMA 2.0	834 B.000	Petrol	1995	4	453	1133
06/87→08/96	CROMA 2.0	154 C4.046	Petrol	1995	4	438	1119
10/87→08/96	CROMA 2.0	154 C3.046	Petrol	1995	4	437	1117
10/87→08/96	CROMA 2.0	834 B.146	Petrol	1995	4	457	1137
08/92→08/96	CROMA 2.0	154 E1.000	Petrol	1995	4	439	1121
06/05→	CROMA 2.2	194 A1.000	Petrol	2198	4	517	1174
12/85→08/89	CROMA 2.4	8144.91.2000	Diesel	2445	4	634	1272
06/05→	CROMA 2.4	939 A3.000	Diesel	2387	5	286	987
12/85→12/89	CROMA 2.5	8144.67	Diesel	2500	4	679	1318
05/89→08/96	CROMA 2.5	8144.97	Diesel	2499	4	668	1307
05/89→08/96	CROMA 2.5	8144.97 Y	Diesel	2500	4	682	1320
05/89→08/96	CROMA 2.5	8144.97.2400	Diesel	2499	4	670	1307
12/91→08/96	CROMA 2.5	8144.97 S	Diesel	2500	4	680	1307
06/93→08/96	CROMA 2.5	834 G.000	Petrol	2492	V6	592	1237
03/01→	DOBLO 1.2	223 A5.000	Petrol	1242	4	63	805
12/04→05/05	DOBLO 1.3	188 A9.000	Diesel	1248	4	22	776
05/05→	DOBLO 1.3	199 A2.000	Diesel	1248	4	22	777
10/05→	DOBLO 1.3	223 A9.000	Diesel	1248	4	33	783
10/05→	DOBLO 1.4	350 A1.000	Petrol	1368	4	76	825
10/01→	DOBLO 1.6	182 B6.000	Petrol	1596	4	181	916
03/01→	DOBLO 1.9	223 A6.000	Diesel	1910	4	230	951
10/01→	DOBLO 1.9	182 B9.000	Diesel	1910	4	211	939
10/01→	DOBLO 1.9	223 B2.000	Diesel	1910	4	233	938
07/03→	DOBLO 1.9	223 A7.000	Diesel	1910	4	231	942
07/03→	DOBLO 1.9	223 B1.000	Diesel	1910	4	232	938
10/05→	DOBLO 1.9	186 A9.000	Diesel	1910	4	215	942
02/10→	DOBLO BOX BODY / ESTATE 1.3	199 A3.000	Diesel	1248	4	28	778
02/10→	DOBLO BOX BODY / ESTATE 1.3	263 A2.000	Diesel	1248	4	32	784
02/10→	DOBLO BOX BODY / ESTATE 1.4	843 A1.000	Petrol	1368	4	77	818



ccm

x



9



06/10→	DOBLO BOX BODY / ESTATE 1.4	198 A4.000	Petrol	1368	4	69	815
02/10→	DOBLO BOX BODY / ESTATE 1.6	198 A3.000	Diesel	1598	4	116	865
02/10→	DOBLO BOX BODY / ESTATE 1.6	263 A3.000	Diesel	1598	4	116	866
02/10→	DOBLO BOX BODY / ESTATE 1.6	263 A4.000	Diesel	1598	4	117	866
02/10→	DOBLO BOX BODY / ESTATE 2.0	263 A1.000	Diesel	1956	4	341	1032
03/01→	DOBLO CARGO 1.2	223 A5.000	Petrol	1242	4	63	805
05/04→12/06	DOBLO CARGO 1.3	188 A8.000	Diesel	1248	4	25	776
05/04→12/06	DOBLO CARGO 1.3	188 A9.000	Diesel	1248	4	22	776
10/05→01/10	DOBLO CARGO 1.3	199 A2.000	Diesel	1248	4	22	777
08/06→	DOBLO CARGO 1.3	223 A9.000	Diesel	1248	4	33	783
10/05→	DOBLO CARGO 1.4	350 A1.000	Petrol	1368	4	76	825
10/01→	DOBLO CARGO 1.6	182 B6.000	Petrol	1596	4	181	916
03/01→	DOBLO CARGO 1.9	223 A6.000	Diesel	1910	4	230	951
10/01→	DOBLO CARGO 1.9	182 B9.000	Diesel	1910	4	211	939
07/03→	DOBLO CARGO 1.9	223 A7.000	Diesel	1910	4	231	942
07/03→	DOBLO CARGO 1.9	223 B1.000	Diesel	1910	4	232	938
12/06→	DOBLO CARGO 1.9	186 A9.000	Diesel	1910	4	215	942
02/10→	DOBLO MPV 1.3	199 A3.000	Diesel	1248	4	28	778
02/10→	DOBLO MPV 1.3	263 A2.000	Diesel	1248	4	32	784
02/10→	DOBLO MPV 1.4	198 A4.000	Petrol	1368	4	69	815
02/10→	DOBLO MPV 1.4	843 A1.000	Petrol	1368	4	77	818
02/10→	DOBLO MPV 1.6	198 A3.000	Diesel	1598	4	116	865
02/10→	DOBLO MPV 1.6	263 A4.000	Diesel	1598	4	117	866
02/10→	DOBLO MPV 2.0	263 A1.000	Diesel	1956	4	341	1032
02/10→	DOBLO PLATFORM/CHASSIS 1.3	199 A3.000	Diesel	1248	4	28	778
02/10→	DOBLO PLATFORM/CHASSIS 1.3	263 A2.000	Diesel	1248	4	32	784
04/10→	DOBLO PLATFORM/CHASSIS 1.4	843 A1.000	Petrol	1368	4	77	818
02/10→	DOBLO PLATFORM/CHASSIS 1.6	198 A3.000	Diesel	1598	4	116	865
02/10→	DOBLO PLATFORM/CHASSIS 1.6	263 A4.000	Diesel	1598	4	117	866
02/11→	DOBLO PLATFORM/CHASSIS 1.6	263 A3.000	Diesel	1598	4	116	866
02/10→	DOBLO PLATFORM/CHASSIS 2.0	263 A1.000	Diesel	1956	4	341	1032
01/82→10/88	DUCATO BOX 1.8	169 B	Petrol	1796	4	413	1094
01/88→03/94	DUCATO BOX 1.9	149 B1.000	Diesel	1929	4	307	1001
03/89→03/94	DUCATO BOX 1.9	280 A1.000	Diesel	1929	4	320	1010
03/94→04/02	DUCATO BOX 1.9	230 A2.000	Diesel	1929	4	318	1009
03/94→04/02	DUCATO BOX 1.9	230 A3.000	Diesel	1929	4	319	1010
08/94→04/02	DUCATO BOX 1.9	230 A4.000	Diesel	1929	4	319	1010
04/98→04/02	DUCATO BOX 1.9	DHX (XUD9TF/L)	Diesel	1905	4	336	1026
04/98→04/02	DUCATO BOX 1.9	DJY	Diesel	1905	4	339	1029
01/82→08/90	DUCATO BOX 2.0	XN 1T	Petrol	1971	4	576	1225
07/85→08/90	DUCATO BOX 2.0	170 B	Petrol	1971	4	574	1224
03/89→05/94	DUCATO BOX 2.0	170 D	Petrol	1971	4	575	1224
03/94→04/02	DUCATO BOX 2.0	RFW	Petrol	1998	4	513	1176
10/01→	DUCATO BOX 2.0	RHV (DW10)	Diesel	1997	4	494	1163
04/02→	DUCATO BOX 2.0	RFL	Petrol	1998	4	509	1175
06/11→	DUCATO BOX 2.0	250 A1.000	Diesel	1956	4	340	1032
07/06→	DUCATO BOX 2.2	4HV	Diesel	2198	4	516	1182
04/02→	DUCATO BOX 2.3	F1AE0481C	Diesel	2286	4	580	1229
07/06→	DUCATO BOX 2.3	F1AE0481D	Diesel	2287	4	585	1232
08/06→	DUCATO BOX 2.3	F1AE0481T	Diesel	2286	4	581	1230
01/07→	DUCATO BOX 2.3	F1AE0481N	Diesel	2287	4	589	1233
01/07→	DUCATO BOX 2.3	F1AE3481D	Diesel	2287	4	591	1235
06/11→	DUCATO BOX 2.3	F1AE3481E	Diesel	2287	4	589	1235
10/11→	DUCATO BOX 2.3	F1AE3481G	Diesel	2287	4	589	1236
01/82→08/90	DUCATO BOX 2.4	8144.61	Diesel	2428	4	612	1250
01/82→05/94	DUCATO BOX 2.5	8144.67	Diesel	2500	4	679	1318
01/82→08/90	DUCATO BOX 2.5	CRD93L (U25-661)	Diesel	2500	4	684	1321
09/86→03/94	DUCATO BOX 2.5	8140.27	Diesel	2500	4	672	1311
09/86→05/90	DUCATO BOX 2.5	8140.61	Diesel	2445	4	618	1260
03/94→04/02	DUCATO BOX 2.5	8140.47	Diesel	2500	4	674	1313
03/94→04/02	DUCATO BOX 2.5	8140.47R	Diesel	2500	4	675	1313
03/94→04/02	DUCATO BOX 2.5	8140.67	Diesel	2500	4	676	1314
10/97→04/02	DUCATO BOX 2.8	8140.43	Diesel	2800	4	736	1344
05/98→04/02	DUCATO BOX 2.8	8140.63	Diesel	2800	4	737	1345
11/00→	DUCATO BOX 2.8	8140.43S	Diesel	2798	4	731	1342
05/04→	DUCATO BOX 2.8	8140.43N	Diesel	2798	4	726	1340
07/06→	DUCATO BOX 3.0	F1CE0481D	Diesel	2999	4	746	1353
07/06→	DUCATO BOX 3.0	F1CE3481M	Diesel	2999	4	747	
04/09→	DUCATO BOX 3.0	F1CE0441A	Petrol	2999	4	745	
04/10→	DUCATO BOX 3.0	F1CE3481N	Diesel	2999	4	747	
06/11→	DUCATO BOX 3.0	F1CE3481E	Diesel	2999	4	747	
03/94→04/02	DUCATO BUS 1.9	230 A3.000	Diesel	1929	4	319	1010



ccm

X



9



08/94→04/02	DUCATO BUS 1.9	230 A4.000	Diesel	1929	4	319	1010
06/95→04/02	DUCATO BUS 1.9	230 A2.000	Diesel	1929	4	318	1009
04/98→04/02	DUCATO BUS 1.9	D9B	Diesel	1905	4	333	1024
04/98→04/02	DUCATO BUS 1.9	D9B (XUD9A)	Diesel	1905	4	334	1025
04/98→04/02	DUCATO BUS 1.9	DHX (XUD9TF/L)	Diesel	1905	4	336	1026
04/98→04/02	DUCATO BUS 1.9	DJY	Diesel	1905	4	339	1029
03/94→04/02	DUCATO BUS 2.0	RFW	Petrol	1998	4	513	1176
10/01→	DUCATO BUS 2.0	RHV (DW10)	Diesel	1997	4	494	1163
04/02→	DUCATO BUS 2.0	RFL	Petrol	1998	4	509	1175
06/11→	DUCATO BUS 2.0	250 A1.000	Diesel	1956	4	340	1032
07/06→	DUCATO BUS 2.2	4HV	Diesel	2198	4	516	1182
04/02→	DUCATO BUS 2.3	F1AE0481C	Diesel	2286	4	580	1229
07/06→	DUCATO BUS 2.3	F1AE0481D	Diesel	2287	4	585	1232
01/07→	DUCATO BUS 2.3	F1AE3481D	Diesel	2287	4	591	1235
06/11→	DUCATO BUS 2.3	F1AE3481E	Diesel	2287	4	589	1235
10/11→	DUCATO BUS 2.3	F1AE3481G	Diesel	2287	4	589	1236
03/94→04/02	DUCATO BUS 2.5	8140.47	Diesel	2500	4	674	1313
07/94→04/02	DUCATO BUS 2.5	8140.47R	Diesel	2500	4	675	1313
08/94→04/02	DUCATO BUS 2.5	8140.67	Diesel	2500	4	676	1314
10/97→04/02	DUCATO BUS 2.8	8140.43	Diesel	2800	4	736	1344
02/98→04/02	DUCATO BUS 2.8	8140.63	Diesel	2800	4	737	1345
11/00→	DUCATO BUS 2.8	8140.43S	Diesel	2798	4	731	1342
04/04→07/06	DUCATO BUS 2.8	8140.43N	Diesel	2798	4	726	1340
07/06→	DUCATO BUS 3.0	F1CE0481D	Diesel	2999	4	746	1353
07/06→	DUCATO BUS 3.0	F1CE3481M	Diesel	2999	4	747	
04/09→	DUCATO BUS 3.0	F1CE0441A	Petrol	2999	4	745	
04/10→	DUCATO BUS 3.0	F1CE3481N	Diesel	2999	4	747	
06/11→	DUCATO BUS 3.0	F1CE3481E	Diesel	2999	4	747	
07/82→12/88	DUCATO PANORAMA 1.8	XM7T	Petrol	1796	4		1095
02/87→03/94	DUCATO PANORAMA 1.9	149 B1.000	Diesel	1929	4	307	1001
03/89→03/94	DUCATO PANORAMA 1.9	280 A1.000	Diesel	1929	4	320	1010
07/82→05/85	DUCATO PANORAMA 2.0	XN 1T	Petrol	1971	4	576	1225
01/86→08/90	DUCATO PANORAMA 2.0	170 B	Petrol	1971	4	574	1224
09/88→05/94	DUCATO PANORAMA 2.0	170 D	Petrol	1971	4	575	1224
07/82→12/85	DUCATO PANORAMA 2.4	8144.61	Diesel	2428	4	612	1250
01/86→08/90	DUCATO PANORAMA 2.5	8144.21	Diesel	2445	4	624	1265
01/86→03/94	DUCATO PANORAMA 2.5	8144.67	Diesel	2500	4	679	1318
01/86→08/90	DUCATO PANORAMA 2.5	CRD93L (U25-661)	Diesel	2500	4	684	1321
01/87→08/90	DUCATO PANORAMA 2.5	8144.21.220	Diesel	2445	4	626	1266
08/90→03/94	DUCATO PANORAMA 2.5	8140.27	Diesel	2500	4	672	1311
01/88→08/90	DUCATO PLATFORM/CHASSIS 1.9	149 B1.000	Diesel	1929	4	307	1001
03/89→03/94	DUCATO PLATFORM/CHASSIS 1.9	280 A1.000	Diesel	1929	4	320	1010
03/94→04/02	DUCATO PLATFORM/CHASSIS 1.9	230 A2.000	Diesel	1929	4	318	1009
03/94→04/02	DUCATO PLATFORM/CHASSIS 1.9	230 A3.000	Diesel	1929	4	319	1010
08/94→04/02	DUCATO PLATFORM/CHASSIS 1.9	230 A4.000	Diesel	1929	4	319	1010
04/98→04/02	DUCATO PLATFORM/CHASSIS 1.9	DHX (XUD9TF/L)	Diesel	1905	4	336	1026
04/98→04/02	DUCATO PLATFORM/CHASSIS 1.9	DJY	Diesel	1905	4	339	1029
07/85→08/90	DUCATO PLATFORM/CHASSIS 2.0	170 B	Petrol	1971	4	574	1224
08/88→05/94	DUCATO PLATFORM/CHASSIS 2.0	170 D	Petrol	1971	4	575	1224
06/98→04/02	DUCATO PLATFORM/CHASSIS 2.0	RFW	Petrol	1998	4	513	1176
07/01→07/06	DUCATO PLATFORM/CHASSIS 2.0	RHV (DW10)	Diesel	1997	4	494	1163
04/02→07/06	DUCATO PLATFORM/CHASSIS 2.0	RFL	Petrol	1998	4	509	1175
06/11→	DUCATO PLATFORM/CHASSIS 2.0	250 A1.000	Diesel	1956	4	340	1032
07/06→	DUCATO PLATFORM/CHASSIS 2.2	4HV	Diesel	2198	4	516	1182
04/02→07/06	DUCATO PLATFORM/CHASSIS 2.3	F1AE0481C	Diesel	2286	4	580	1229
07/06→	DUCATO PLATFORM/CHASSIS 2.3	F1AE0481D	Diesel	2287	4	585	1232
01/07→	DUCATO PLATFORM/CHASSIS 2.3	F1AE0481N	Diesel	2287	4	589	1233
01/07→	DUCATO PLATFORM/CHASSIS 2.3	F1AE3481D	Diesel	2287	4	591	1235
06/11→	DUCATO PLATFORM/CHASSIS 2.3	F1AE3481E	Diesel	2287	4	589	1235
10/11→	DUCATO PLATFORM/CHASSIS 2.3	F1AE3481G	Diesel	2287	4	589	1236
07/82→03/94	DUCATO PLATFORM/CHASSIS 2.5	8144.67	Diesel	2500	4	679	1318
07/82→08/90	DUCATO PLATFORM/CHASSIS 2.5	CRD93L (U25-661)	Diesel	2500	4	684	1321
01/86→08/90	DUCATO PLATFORM/CHASSIS 2.5	8144.21	Diesel	2445	4	624	1265
07/90→03/94	DUCATO PLATFORM/CHASSIS 2.5	8140.27	Diesel	2500	4	672	1311
03/94→04/02	DUCATO PLATFORM/CHASSIS 2.5	8140.47	Diesel	2500	4	674	1313
03/94→04/02	DUCATO PLATFORM/CHASSIS 2.5	8140.47R	Diesel	2500	4	675	1313
03/94→04/02	DUCATO PLATFORM/CHASSIS 2.5	8140.67	Diesel	2500	4	676	1314
02/98→04/02	DUCATO PLATFORM/CHASSIS 2.8	8140.63	Diesel	2800	4	737	1345
05/98→04/02	DUCATO PLATFORM/CHASSIS 2.8	8140.43	Diesel	2800	4	736	1344
11/00→07/06	DUCATO PLATFORM/CHASSIS 2.8	8140.43S	Diesel	2798	4	731	1342
05/04→07/06	DUCATO PLATFORM/CHASSIS 2.8	8140.43N	Diesel	2798	4	726	1340
07/06→	DUCATO PLATFORM/CHASSIS 3.0	F1CE0481D	Diesel	2999	4	746	1353



ccm

X



9



07/06→	DUCATO PLATFORM/CHASSIS 3.0	F1CE3481M	Diesel	2999	4	747	
04/09→	DUCATO PLATFORM/CHASSIS 3.0	F1CE0441A	Petrol	2999	4	745	
04/10→	DUCATO PLATFORM/CHASSIS 3.0	F1CE3481N	Diesel	2999	4	747	
06/11→	DUCATO PLATFORM/CHASSIS 3.0	F1CE3481E	Diesel	2999	4	747	
01/87→12/91	DUNA 1.1	146 A6.000	Petrol	1116	4	126	874
01/87→12/91	DUNA 1.3	146 A5.000	Petrol	1301	4	521	1185
01/87→12/91	DUNA 1.7	149 B3.000	Diesel	1698	4	301	994
07/91→07/96	DUNA SALOON 1.1	146 A4.048	Petrol	1116	4	125	873
01/87→12/91	DUNA WEEKEND 1.1	146 A6.000	Petrol	1116	4	126	874
01/87→12/91	DUNA WEEKEND 1.3	146 A5.000	Petrol	1301	4	521	1185
01/87→12/91	DUNA WEEKEND 1.7	149 B3.000	Diesel	1698	4	301	994
04/86→10/92	ELBA 1.3	127 A5.000	Diesel	1302	4	95	846
04/86→12/96	ELBA 1.5	149 C1.000	Petrol	1499	4	539	1197
04/89→12/96	ELBA 1.7	146 B2.000	Diesel	1698	4	299	994
10/77→12/84	FIORINO 0.9	100 GL.000	Petrol	903	4	8	758
01/80→12/87	FIORINO 1.0	127 A.000	Petrol	1049	4	88	839
12/86→04/88	FIORINO 1.0	156 A.000	Petrol	1049	4	98	848
11/86→04/88	FIORINO 1.1	146 A9.000	Petrol	1116	4	127	875
03/82→12/87	FIORINO 1.3	127 A5.000	Diesel	1302	4	95	846
12/87→08/93	FIORINO 1.3	146 A5.000	Petrol	1301	4	521	1185
01/88→08/93	FIORINO 1.5	149 C1.000	Petrol	1499	4	539	1197
12/87→12/90	FIORINO 1.7	149 B3.000	Diesel	1698	4	301	994
01/88→10/93	FIORINO 1.7	149 B2.000	Diesel	1697	4	295	995
05/88→12/93	FIORINO BOX 1.1	146 A9.000	Petrol	1116	4	127	875
01/88→12/94	FIORINO BOX 1.3	146 A5.000	Petrol	1301	4	521	1185
11/92→05/01	FIORINO BOX 1.4	146 C5.000	Petrol	1372	4	171	910
05/94→05/01	FIORINO BOX 1.4	146 D5.000	Petrol	1372	4	171	910
05/88→12/93	FIORINO BOX 1.5	149 C1.000	Petrol	1499	4	539	1197
10/93→05/01	FIORINO BOX 1.6	146 C6.000	Petrol	1581	4	540	1198
10/93→05/01	FIORINO BOX 1.6	146 D6.000	Petrol	1581	4	540	1198
01/88→10/99	FIORINO BOX 1.7	146 B2.000	Diesel	1698	4	299	994
05/88→05/00	FIORINO BOX 1.7	149 B3.000	Diesel	1698	4	301	994
11/96→05/01	FIORINO BOX 1.7	146 D7.000	Diesel	1698	4	300	996
11/07→	FIORINO BOX BODY / ESTATE 1.3	199 A9.000	Diesel	1248	4	30	780
07/09→	FIORINO BOX BODY / ESTATE 1.3	199 B1.000	Diesel	1248	4	30	780
11/07→	FIORINO BOX BODY / ESTATE 1.4	KFT	Petrol	1360	4	85	837
11/07→	FIORINO BOX BODY / ESTATE 1.4	KFV	Petrol	1360	4	85	837
10/09→	FIORINO BOX BODY / ESTATE 1.4	350 A1.000	Petrol	1368	4	76	825
09/87→12/88	FIORINO PICK UP 1.0	156 A.000	Petrol	1049	4	98	848
05/84→12/88	FIORINO PICK UP 1.3	127 A5.000	Diesel	1302	4	95	846
01/88→12/94	FIORINO PICK UP 1.3	146 A5.000	Petrol	1301	4	521	1185
05/94→05/01	FIORINO PICK UP 1.4	146 D5.000	Petrol	1372	4	171	910
01/88→10/92	FIORINO PICK UP 1.5	149 C1.000	Petrol	1499	4	539	1197
01/94→05/01	FIORINO PICK UP 1.6	146 C6.000	Petrol	1581	4	540	1198
01/94→05/01	FIORINO PICK UP 1.6	146 D6.000	Petrol	1581	4	540	1198
05/88→10/99	FIORINO PICK UP 1.7	149 B3.000	Diesel	1698	4	301	994
10/93→10/99	FIORINO PICK UP 1.7	146 B2.000	Diesel	1698	4	299	994
01/97→05/01	FIORINO PICK UP 1.7	146 D7.000	Diesel	1698	4	300	996
08/11→	FREEMONT 2.0	939 B5.000	Diesel	1956	4	340	1035
08/11→	FREEMONT 2.0	940 A5.000	Diesel	1956	4	340	1035
05/73→12/79	X 1/9 1.3	128 AS.000	Petrol	1290	4	507	1173
11/78→12/89	X 1/9 1.5	138 AS.000	Petrol	1499	4	537	1192
06/85→12/89	X 1/9 1.5	138 BS.031	Petrol	1499	4		1190
01/04→	IDEA 1.2	188 A5.000	Petrol	1242	4	60	810
01/04→	IDEA 1.3	188 A9.000	Diesel	1248	4	22	776
10/05→	IDEA 1.3	199 A3.000	Diesel	1248	4	28	778
05/08→	IDEA 1.3	199 B1.000	Diesel	1248	4	30	780
12/03→	IDEA 1.4	192 B2.000	Petrol	1368	4	66	813
01/04→	IDEA 1.4	843 A1.000	Petrol	1368	4	77	818
10/05→	IDEA 1.4	350 A1.000	Petrol	1368	4	76	825
05/08→	IDEA 1.6	350 A2.000	Diesel	1598	4	117	867
01/04→	IDEA 1.9	188 B2.000	Diesel	1910	4	220	942
06/07→	LINEA 1.3	199 A3.000	Diesel	1248	4	28	778
06/07→	LINEA 1.4	350 A1.000	Petrol	1368	4	76	825
09/07→	LINEA 1.4	198 A4.000	Petrol	1368	4	69	815
06/09→	LINEA 1.6	198 A3.000	Diesel	1598	4	116	865
10/98→05/02	MAREA 1.2	182 B2.000	Petrol	1242	4	57	807
09/96→05/02	MAREA 1.4	182 A3.000	Petrol	1370	4	184	923
09/96→05/02	MAREA 1.6	182 A4.000	Petrol	1581	4	551	1208
04/97→05/02	MAREA 1.6	185 A4.000	Petrol	1581	4	555	1208
04/99→05/02	MAREA 1.6	186 A4.000	Petrol	1581	4	557	1212
09/00→08/02	MAREA 1.6	182 B5.098	Petrol	1581	4	554	1206



ccm

X



9



09/00→08/02	MAREA 1.6	182 B6.000	Petrol	1596	4	181	916
09/96→05/02	MAREA 1.8	182 A2.000	Petrol	1747	4	194	929
09/96→05/02	MAREA 1.9	182 A7.000	Diesel	1910	4	208	936
09/96→05/02	MAREA 1.9	182 A8.000	Diesel	1910	4	209	936
04/99→01/01	MAREA 1.9	182 B4.000	Diesel	1910	4	210	937
01/01→05/02	MAREA 1.9	186 A6.000	Diesel	1910	4	213	941
09/96→04/99	MAREA 2.0	182 A1.000	Petrol	1998	5	260	966
04/99→01/01	MAREA 2.0	182 B7.000	Petrol	1998	5	262	968
01/01→05/02	MAREA 2.0	185 A8.000	Petrol	1998	5	265	970
09/96→04/99	MAREA 2.4	185 A2.000	Diesel	2387	5	269	972
04/99→05/02	MAREA 2.4	185 A6.000	Diesel	2387	5	270	973
04/99→05/02	MAREA 2.4	839 A5.000	Diesel	2387	5	273	973
10/98→05/02	MAREA WEEKEND 1.2	182 B2.000	Petrol	1242	4	57	807
09/96→05/02	MAREA WEEKEND 1.4	182 A3.000	Petrol	1370	4	184	923
09/96→05/02	MAREA WEEKEND 1.6	182 A4.000	Petrol	1581	4	551	1208
09/00→08/02	MAREA WEEKEND 1.6	182 B6.000	Petrol	1596	4	181	916
09/96→05/02	MAREA WEEKEND 1.8	182 A2.000	Petrol	1747	4	194	929
09/96→05/02	MAREA WEEKEND 1.9	182 A7.000	Diesel	1910	4	208	936
09/96→05/02	MAREA WEEKEND 1.9	182 A8.000	Diesel	1910	4	209	936
09/96→05/02	MAREA WEEKEND 1.9	182 B9.000	Diesel	1910	4	211	939
04/99→05/02	MAREA WEEKEND 1.9	182 B4.000	Diesel	1910	4	210	937
01/01→05/02	MAREA WEEKEND 1.9	186 A6.000	Diesel	1910	4	213	941
09/96→04/99	MAREA WEEKEND 2.0	182 A1.000	Petrol	1998	5	260	966
04/99→02/03	MAREA WEEKEND 2.0	182 B7.000	Petrol	1998	5	262	968
01/01→05/02	MAREA WEEKEND 2.0	185 A8.000	Petrol	1998	5	265	970
09/96→04/99	MAREA WEEKEND 2.4	185 A2.000	Diesel	2387	5	269	972
04/99→05/02	MAREA WEEKEND 2.4	185 A6.000	Diesel	2387	5	270	973
04/99→05/02	MAREA WEEKEND 2.4	839 A5.000	Diesel	2387	5	273	973
04/99→06/10	MULTIPLA 1.6	182 A4.000	Petrol	1581	4	551	1208
04/99→06/10	MULTIPLA 1.6	186 A3.000	LPG	1581	4	556	1211
04/99→06/10	MULTIPLA 1.6	186 A4.000	Petrol	1581	4	557	1212
09/00→06/10	MULTIPLA 1.6	182 B6.000	Petrol	1596	4	181	916
04/99→06/10	MULTIPLA 1.9	182 B4.000	Diesel	1910	4	210	937
03/01→07/02	MULTIPLA 1.9	186 A6.000	Diesel	1910	4	213	941
04/02→06/10	MULTIPLA 1.9	186 A9.000	Diesel	1910	4	215	942
07/02→06/10	MULTIPLA 1.9	186 A8.000	Diesel	1910	4	214	939
07/97→08/02	PALIO 1.2	178 B7.045	Petrol	1242	4	54	804
07/97→08/02	PALIO 1.2	178 C4.066	Petrol	1242	4	55	804
07/97→08/02	PALIO 1.2	188 A4.000	Petrol	1242	4	58	809
06/98→	PALIO 1.2	176 A8.000	Petrol	1242	4	48	799
06/98→	PALIO 1.2	178 B5.000	Petrol	1242	4	53	803
06/98→	PALIO 1.2	178 E2.000	Petrol	1242	4	56	805
04/96→	PALIO 1.4	178 B2.000	Petrol	1372	4	176	910
04/96→	PALIO 1.4	178 B2.016	Petrol	1372	4	177	910
06/03→	PALIO 1.4	834 A1.000	Petrol	1368	4	71	826
06/04→	PALIO 1.5	178 E5.022	Petrol	1461	4	87	
04/96→	PALIO 1.6	178 B3.000	Petrol	1581	4	548	1205
04/96→02/01	PALIO WEEKEND 1.2	178 B5.000	Petrol	1242	4	53	803
07/97→	PALIO WEEKEND 1.2	188 A4.000	Petrol	1242	4	58	809
06/99→10/02	PALIO WEEKEND 1.2	178 E2.000	Petrol	1242	4	56	805
02/01→	PALIO WEEKEND 1.2	178 C4.066	Petrol	1242	4	55	804
09/01→	PALIO WEEKEND 1.2	188 A5.000	Petrol	1242	4	60	810
01/04→	PALIO WEEKEND 1.2	178 E9.011	Petrol	1242	4		806
07/97→08/01	PALIO WEEKEND 1.4	178 B2.000	Petrol	1372	4	176	910
02/05→	PALIO WEEKEND 1.4	310 A2.011	Petrol	1368	4		820
02/02→	PALIO WEEKEND 1.5	178 E5.022	Petrol	1461	4	87	
04/96→02/01	PALIO WEEKEND 1.6	178 B3.000	Petrol	1581	4	548	1205
07/97→10/03	PALIO WEEKEND 1.6	178 C7.098	Petrol	1581	4	549	1206
07/97→10/03	PALIO WEEKEND 1.6	178 D2.011	Petrol	1581	4	550	1207
02/01→	PALIO WEEKEND 1.6	182 B6.000	Petrol	1596	4	181	916
04/96→03/01	PALIO WEEKEND 1.7	176 A3.000	Diesel	1698	4	302	997
03/01→	PALIO WEEKEND 1.9	223 A6.000	Diesel	1910	4	230	951
09/01→	PALIO WEEKEND 1.9	188 A2.000	Diesel	1910	4	216	941
01/82→07/04	PANDA 0.7	141 A.000	Petrol	652	2	103	851
01/86→01/95	PANDA 0.7	156 A4.000	Petrol	770	4	2	750
02/81→12/85	PANDA 0.8	100 GL6.000	Petrol	843	4		754
01/86→01/95	PANDA 0.8	141 B.000	Petrol	769	4	1	749
01/95→10/03	PANDA 0.8	156 A4.048	Petrol	770	4	3	750
10/80→04/86	PANDA 0.9	146 A.048	Petrol	903	4	12	751
10/80→06/94	PANDA 0.9	100 GL3.000	Petrol	903	4	10	760
10/80→06/94	PANDA 0.9	146 A.000	Petrol	903	4	11	761
09/82→12/86	PANDA 0.9	A 112 B1.054	Petrol	965	4	20	770



ccm

x



9



04/92→12/96	PANDA 0.9	1170 A1.046	Petrol	899	4	6	756
02/12→	PANDA 0.9	312 A2.000	Petrol	875	2		922
01/85→12/92	PANDA 1.0	156 A3.000	Petrol	999	4	37	793
01/86→07/89	PANDA 1.0	156 A3.100	Petrol	999	4	36	790
01/86→04/92	PANDA 1.0	156 A2.100	Petrol	999	4	36	793
05/86→08/98	PANDA 1.0	141 C2.000	Petrol	999	4	41	790
05/86→08/98	PANDA 1.0	156 A2.246	Petrol	999	4	36	785
05/91→07/04	PANDA 1.1	156 C.046	Petrol	1108	4	37	785
02/95→	PANDA 1.1	187 A1.000	Petrol	1108	4	40	789
02/95→07/04	PANDA 1.1	176 B2.000	Petrol	1108	4	38	787
09/03→	PANDA 1.2	188 A4.000	Petrol	1242	4	58	809
06/06→	PANDA 1.2	169 A1.000	Diesel	1248	4	22	773
06/06→	PANDA 1.2	169 A5.000	Diesel	1248	4	24	775
11/09→	PANDA 1.2	169 A4.000	Petrol	1242	4	45	797
04/86→12/92	PANDA 1.3	156 A5.000	Diesel	1302	4	96	845
09/03→	PANDA 1.3	188 A8.000	Diesel	1248	4	25	776
09/03→	PANDA 1.3	188 A9.000	Diesel	1248	4	22	776
02/12→	PANDA 1.3	199 A9.000	Diesel	1248	4	30	780
10/06→	PANDA 1.4	169 A3.000	Petrol	1368	4	65	813
01/10→	PANDA 1.4	350 A1.000	Petrol	1368	4	76	825
01/86→07/92	PANDA VAN 0.8	141 B.000	Petrol	769	4	1	749
01/86→02/92	PANDA VAN 1.0	156 A2.100	Petrol	999	4	36	793
01/86→02/92	PANDA VAN 1.0	156 A3.100	Petrol	999	4	36	790
08/92→02/04	PANDA VAN 1.0	156 A2.246	Petrol	999	4	36	785
05/91→03/95	PANDA VAN 1.1	156 C.046	Petrol	1108	4	37	785
09/00→	PANDA VAN 1.1	187 A1.000	Petrol	1108	4	40	789
09/04→	PANDA VAN 1.2	188 A4.000	Petrol	1242	4	58	809
01/06→	PANDA VAN 1.2	169 A1.000	Diesel	1248	4	22	773
09/10→	PANDA VAN 1.2	169 A4.000	Petrol	1242	4	45	797
03/04→	PANDA VAN 1.3	188 A8.000	Diesel	1248	4	25	776
03/04→	PANDA VAN 1.3	188 A9.000	Diesel	1248	4	22	776
10/09→	PANDA VAN 1.4	350 A1.000	Petrol	1368	4	76	825
01/86→12/90	PENNY VAN 1.1	146 A6.000	Petrol	1116	4	126	874
01/86→12/90	PENNY VAN 1.3	146 A5.000	Petrol	1301	4	521	1185
01/86→12/90	PENNY VAN 1.7	149 B3.000	Diesel	1698	4	301	994
03/85→12/96	PREMIO 1.6	159 A3.000	Petrol	1581	4	541	1199
03/12→	PUNTO 0.9	312 A2.000	Petrol	875	2		922
07/13→	PUNTO 0.9	199 B6.000	Petrol	875	2		920
09/93→09/99	PUNTO 1.1	176 A6.000	Petrol	1108	4	36	787
09/93→09/99	PUNTO 1.1	176 B2.000	Petrol	1108	4	38	787
10/93→09/99	PUNTO 1.2	176 A8.000	Petrol	1242	4	48	799
01/94→09/99	PUNTO 1.2	176 A7.000	Petrol	1242	4	47	798
03/94→09/99	PUNTO 1.2	176 B1.000	Petrol	1242	4	49	800
03/94→09/99	PUNTO 1.2	176 B4.000	Petrol	1242	4	50	799
04/97→09/99	PUNTO 1.2	176 B9.000	Petrol	1242	4	52	801
09/99→	PUNTO 1.2	188 A4.000	Petrol	1242	4	58	809
09/99→	PUNTO 1.2	188 A5.000	Petrol	1242	4	60	810
03/12→	PUNTO 1.2	169 A4.000	Petrol	1242	4	45	797
06/03→	PUNTO 1.3	188 A9.000	Diesel	1248	4	22	776
03/12→	PUNTO 1.3	199 A2.000	Diesel	1248	4	22	777
03/12→	PUNTO 1.3	199 A9.000	Diesel	1248	4	30	780
03/12→	PUNTO 1.3	199 B1.000	Diesel	1248	4	30	780
03/12→	PUNTO 1.3	199 B4.000	Diesel	1248	4	32	782
01/94→09/96	PUNTO 1.4	176 A4.000	Petrol	1372	4	175	914
09/96→09/99	PUNTO 1.4	176 B6.000	Petrol	1372	4	175	914
09/03→	PUNTO 1.4	843 A1.000	Petrol	1368	4	77	818
11/05→	PUNTO 1.4	199 A6.000	Petrol	1368	4	73	818
03/12→	PUNTO 1.4	199 A7.000	Petrol	1368	4	74	819
03/12→	PUNTO 1.4	350 A1.000	Petrol	1368	4	76	825
03/12→	PUNTO 1.4	955 A2.000	Petrol	1368	4	79	821
03/12→	PUNTO 1.4	955 A6.000	Petrol	1368	4	79	821
01/94→04/97	PUNTO 1.6	176 A9.000	Petrol	1581	4	547	1204
01/94→09/99	PUNTO 1.7	176 A3.000	Diesel	1698	4	302	997
01/94→09/99	PUNTO 1.7	176 A5.000	Diesel	1698	4	303	998
04/94→09/97	PUNTO 1.7	176 B3.000	Diesel	1698	4	304	994
09/96→09/99	PUNTO 1.7	176 B7.000	Diesel	1698	4	302	998
09/99→	PUNTO 1.8	183 A1.000	Petrol	1747	4	197	929
09/99→	PUNTO 1.8	188 A6.000	Petrol	1747	4	198	931
09/99→	PUNTO 1.9	188 A2.000	Diesel	1910	4	216	941
09/99→	PUNTO 1.9	188 A3.000	Diesel	1910	4	217	943
10/01→	PUNTO 1.9	188 A7.000	Diesel	1910	4	218	941
06/03→	PUNTO 1.9	188 B2.000	Diesel	1910	4	220	942



ccm

X



9



04/94→06/00	PUNTO CONVERTIBLE 1.2	176 A7.000	Petrol	1242	4	47	798
05/95→06/00	PUNTO CONVERTIBLE 1.2	176 B1.000	Petrol	1242	4	49	800
05/95→06/00	PUNTO CONVERTIBLE 1.2	176 B4.000	Petrol	1242	4	50	799
04/97→06/00	PUNTO CONVERTIBLE 1.2	176 B9.000	Petrol	1242	4	52	801
04/94→04/97	PUNTO CONVERTIBLE 1.6	176 A9.000	Petrol	1581	4	547	1204
10/09→02/12	PUNTO EVO 1.2	169 A4.000	Petrol	1242	4	45	797
10/09→02/12	PUNTO EVO 1.2	199 A4.000	Petrol	1242	4	62	797
07/08→02/12	PUNTO EVO 1.3	199 B2.000	Diesel	1248	4	25	780
10/09→02/12	PUNTO EVO 1.3	199 A2.000	Diesel	1248	4	22	777
10/09→02/12	PUNTO EVO 1.3	199 A3.000	Diesel	1248	4	28	778
10/09→02/12	PUNTO EVO 1.3	199 A9.000	Diesel	1248	4	30	780
10/09→02/12	PUNTO EVO 1.3	199 B1.000	Diesel	1248	4	30	780
10/09→02/12	PUNTO EVO 1.3	199 B4.000	Diesel	1248	4	32	782
10/09→02/12	PUNTO EVO 1.3	223 A9.000	Diesel	1248	4	33	783
07/08→02/12	PUNTO EVO 1.4	199 A8.000	Petrol	1368	4	68	815
07/08→	PUNTO EVO 1.4	955 A8.000	Petrol	1368	4	79	820
06/09→02/12	PUNTO EVO 1.4	350 A1.000	Petrol	1368	4	76	825
07/09→02/12	PUNTO EVO 1.4	199 A7.000	Petrol	1368	4	74	819
10/09→02/12	PUNTO EVO 1.4	955 A2.000	Petrol	1368	4	79	821
10/09→02/12	PUNTO EVO 1.4	955 A6.000	Petrol	1368	4	79	821
10/09→02/12	PUNTO EVO 1.6	955 A3.000	Diesel	1598	4	116	864
10/05→12/11	PUNTO / GRANDE PUNTO 1.2	188 A4.000	Petrol	1242	4	58	809
10/05→	PUNTO / GRANDE PUNTO 1.2	199 A4.000	Petrol	1242	4	62	797
09/10→	PUNTO / GRANDE PUNTO 1.2	169 A4.000	Petrol	1242	4	45	797
10/05→	PUNTO / GRANDE PUNTO 1.3	199 A2.000	Diesel	1248	4	22	777
10/05→	PUNTO / GRANDE PUNTO 1.3	199 A3.000	Diesel	1248	4	28	778
07/08→	PUNTO / GRANDE PUNTO 1.3	199 B2.000	Diesel	1248	4	25	780
04/10→	PUNTO / GRANDE PUNTO 1.3	199 B4.000	Diesel	1248	4	32	782
04/10→	PUNTO / GRANDE PUNTO 1.3	223 A9.000	Diesel	1248	4	33	783
10/05→	PUNTO / GRANDE PUNTO 1.4	199 A6.000	Petrol	1368	4	73	818
10/05→	PUNTO / GRANDE PUNTO 1.4	350 A1.000	Petrol	1368	4	76	825
06/06→	PUNTO / GRANDE PUNTO 1.4	199 A7.000	Petrol	1368	4	74	819
09/07→07/12	PUNTO / GRANDE PUNTO 1.4	198 A1.000	Petrol	1368	4	69	815
09/07→	PUNTO / GRANDE PUNTO 1.4	198 A4.000	Petrol	1368	4	69	815
12/07→	PUNTO / GRANDE PUNTO 1.4	199 A8.000	Petrol	1368	4	68	815
12/07→	PUNTO / GRANDE PUNTO 1.4	955 A8.000	Petrol	1368	4	79	820
07/08→	PUNTO / GRANDE PUNTO 1.6	955 A3.000	Diesel	1598	4	116	864
10/05→	PUNTO / GRANDE PUNTO 1.9	199 A5.000	Diesel	1910	4	229	950
10/05→	PUNTO / GRANDE PUNTO 1.9	939 A1.000	Diesel	1910	4	247	945
06/06→	PUNTO / GRANDE PUNTO 1.9	939 A7.000	Diesel	1910	4	227	960
03/12→	PUNTO VAN 0.9	312 A2.000	Petrol	875	2		922
04/96→02/00	PUNTO VAN 1.1	176 B2.000	Petrol	1108	4	38	787
02/00→10/09	PUNTO VAN 1.2	188 A4.000	Petrol	1242	4	58	809
06/03→10/09	PUNTO VAN 1.3	188 A9.000	Diesel	1248	4	22	776
04/08→	PUNTO VAN 1.3	199 A2.000	Diesel	1248	4	22	777
04/08→	PUNTO VAN 1.3	199 A9.000	Diesel	1248	4	30	780
03/09→	PUNTO VAN 1.3	199 B1.000	Diesel	1248	4	30	780
01/10→02/12	PUNTO VAN 1.3	199 A3.000	Diesel	1248	4	28	778
03/12→	PUNTO VAN 1.3	199 B4.000	Diesel	1248	4	32	782
04/08→	PUNTO VAN 1.4	350 A1.000	Petrol	1368	4	76	825
04/96→02/00	PUNTO VAN 1.7	176 A5.000	Diesel	1698	4	303	998
04/96→02/00	PUNTO VAN 1.7	176 B3.000	Diesel	1698	4	304	994
09/96→09/99	PUNTO VAN 1.7	176 B7.000	Diesel	1698	4	302	998
02/00→10/09	PUNTO VAN 1.9	188 A3.000	Diesel	1910	4	217	943
02/00→10/09	PUNTO VAN 1.9	188 A7.000	Diesel	1910	4	218	941
02/08→	QUBO 1.3	199 A9.000	Diesel	1248	4	30	780
07/10→	QUBO 1.3	199 B1.000	Diesel	1248	4	30	780
02/08→	QUBO 1.4	KFT	Petrol	1360	4	85	837
02/08→	QUBO 1.4	KFV	Petrol	1360	4	85	837
10/09→	QUBO 1.4	350 A1.000	Petrol	1368	4	76	825
09/83→07/86	REGATA 1.3	138 B2.000	Petrol	1302	4	526	1188
09/83→07/89	REGATA 1.3	149 A3.000	Petrol	1301	4	522	1186
09/83→07/89	REGATA 1.3	149 A7.000	Petrol	1302	4	526	1188
09/83→04/85	REGATA 1.5	138 B3.000	Petrol	1498	4	529	1191
12/83→12/87	REGATA 1.5	138 B3.048	Petrol	1498	4	530	1193
12/83→12/87	REGATA 1.5	138 C3.048	Petrol	1498	4	532	1194
05/85→12/87	REGATA 1.5	149 A5.000	Petrol	1498	4	533	1194
07/85→07/89	REGATA 1.5	138 C2.048	Petrol	1499	4	538	1196
07/85→07/89	REGATA 1.5	149 C1.000	Petrol	1499	4	539	1197
10/83→07/89	REGATA 1.6	149 C3.000	Petrol	1585	4	383	1063
10/83→06/90	REGATA 1.6	149 A.000	Petrol	1585	4		1063
10/83→12/90	REGATA 1.6	149 A2.000	Petrol	1585	4	380	1064



ccm

x



9



10/83→12/90	REGATA 1.6	149 A4.000	Petrol	1585	4	381	1065
01/87→07/89	REGATA 1.6	149 C2.000	Petrol	1595	4		1063
09/83→12/86	REGATA 1.7	138 B6.000	Diesel	1714	4	328	1018
05/85→03/89	REGATA 1.7	149 B3.000	Diesel	1698	4	301	994
04/84→07/89	REGATA 1.9	149 A1.000	Diesel	1929	4	306	1001
05/86→07/89	REGATA 1.9	831 D1.000	Diesel	1929	4	322	1012
01/84→07/89	REGATA WEEKEND 1.3	138 B2.000	Petrol	1302	4	526	1188
01/84→04/89	REGATA WEEKEND 1.5	138 B3.000	Petrol	1498	4	529	1191
09/84→07/89	REGATA WEEKEND 1.5	138 B3.048	Petrol	1498	4	530	1193
09/84→07/89	REGATA WEEKEND 1.5	138 C3.048	Petrol	1498	4	532	1194
12/86→07/89	REGATA WEEKEND 1.5	138 C2.048	Petrol	1499	4	538	1196
09/84→12/86	REGATA WEEKEND 1.6	149 A4.000	Petrol	1585	4	381	1065
01/87→07/89	REGATA WEEKEND 1.6	149 C2.000	Petrol	1595	4		1063
01/87→12/90	REGATA WEEKEND 1.6	149 C3.000	Petrol	1585	4	383	1063
01/84→12/89	REGATA WEEKEND 1.7	149 B3.000	Diesel	1698	4	301	994
04/84→07/89	REGATA WEEKEND 1.9	149 A1.000	Diesel	1929	4	306	1001
05/86→07/89	REGATA WEEKEND 1.9	831 D1.000	Diesel	1929	4	322	1012
10/79→09/83	RITMO CONVERTIBLE 1.3	138 A1.000	Petrol	1301	4	519	1184
10/85→12/87	RITMO CONVERTIBLE 1.3	138 B2.000	Petrol	1302	4	526	1188
01/80→07/89	RITMO CONVERTIBLE 1.5	138 A4.000	Petrol	1498	4	528	1191
02/83→01/84	RITMO CONVERTIBLE 1.5	138 A2.000	Petrol	1498	4	527	1191
02/83→01/84	RITMO CONVERTIBLE 1.5	138 C3.048	Petrol	1498	4	532	1194
03/83→12/86	RITMO CONVERTIBLE 1.5	138 B3.000	Petrol	1498	4	529	1191
10/85→12/87	RITMO CONVERTIBLE 1.6	138 AR.000	Petrol	1585	4	379	1058
10/85→12/87	RITMO CONVERTIBLE 1.6	138 AR.048	Petrol	1585	4		1062
09/78→09/82	RITMO I 1.0	127 A6.000	Petrol	1049	4	90	840
01/78→09/82	RITMO I 1.3	138 A1.000	Petrol	1301	4	519	1184
01/81→09/82	RITMO I 1.3	138 A3.000	Petrol	1301	4	520	1184
11/83→08/85	RITMO I 1.3	149 A3.000	Petrol	1301	4	522	1186
11/83→08/85	RITMO I 1.3	149 A7.000	Petrol	1302	4	526	1188
01/78→10/82	RITMO I 1.5	138 A2.000	Petrol	1498	4	527	1191
01/78→10/82	RITMO I 1.5	138 C3.048	Petrol	1498	4	532	1194
01/81→05/87	RITMO I 1.5	138 A4.000	Petrol	1498	4	528	1191
10/85→05/87	RITMO I 1.5	138 C2.048	Petrol	1499	4	538	1196
10/85→05/87	RITMO I 1.5	149 C1.000	Petrol	1499	4	539	1197
05/81→12/82	RITMO I 1.6	138 AR.000	Petrol	1585	4	379	1058
09/85→12/87	RITMO I 1.6	149 C2.000	Petrol	1595	4		1063
10/79→09/82	RITMO I 1.7	138 A5.000	Diesel	1714	4	327	1016
11/81→09/82	RITMO I 2.0	138 AR1.000	Petrol	1995	4	433	1111
10/82→12/87	RITMO II 1.1	138 B.000	Petrol	1116	4	121	871
10/82→12/87	RITMO II 1.1	138 B1.000	Petrol	1116	4	122	873
10/82→12/87	RITMO II 1.1	138 C1.000	Petrol	1116	4	123	873
04/85→12/87	RITMO II 1.1	146 A4.048	Petrol	1116	4	125	873
01/83→04/85	RITMO II 1.3	138 B2.000	Petrol	1302	4	526	1188
01/83→12/87	RITMO II 1.5	138 B3.000	Petrol	1498	4	529	1191
08/85→05/87	RITMO II 1.5	149 A5.000	Petrol	1498	4	533	1194
09/85→12/88	RITMO II 1.5	138 A2.000	Petrol	1498	4	527	1191
09/85→12/88	RITMO II 1.5	138 C2.048	Petrol	1499	4	538	1196
09/85→12/88	RITMO II 1.5	149 C1.000	Petrol	1499	4	539	1197
01/83→12/87	RITMO II 1.6	138 AR.000	Petrol	1585	4	379	1058
01/83→12/87	RITMO II 1.6	149 A4.000	Petrol	1585	4	381	1065
10/82→10/85	RITMO II 1.7	138 B6.000	Diesel	1714	4	328	1018
05/85→12/87	RITMO II 1.7	138 C.000	Diesel	1698	4	298	993
05/85→12/87	RITMO II 1.7	149 B3.000	Diesel	1698	4	301	994
12/85→12/87	RITMO II 1.9	831 D1.000	Diesel	1929	4	322	1012
12/82→12/87	RITMO II 2.0	138 AR1.000	Petrol	1995	4	433	1111
04/83→12/87	RITMO II 2.0	138 AR2.000	Petrol	1995	4	433	1111
01/07→	SCUDO 1.6	9HU	Diesel	1560	4	86	838
01/07→	SCUDO 2.0	RHK	Diesel	1997	4	489	1160
01/07→	SCUDO 2.0	RHR	Diesel	1997	4	493	1162
07/10→	SCUDO 2.0	RHH	Diesel	1997	4	488	1158
04/11→	SCUDO 2.0	RH02	Diesel	1997	4	488	1153
02/96→12/06	SCUDO BOX 1.6	220 A 2.000	Petrol	1581	4	558	1204
01/07→	SCUDO BOX 1.6	9HU	Diesel	1560	4	86	838
02/96→12/06	SCUDO BOX 1.9	D9B	Diesel	1905	4	333	1024
02/96→12/06	SCUDO BOX 1.9	DXH (XUD9TF/L)	Diesel	1905	4	336	1026
02/98→12/06	SCUDO BOX 1.9	D8B	Diesel	1905	4	331	1022
04/98→12/06	SCUDO BOX 1.9	WJZ (DW8)	Diesel	1868	4	294	992
05/99→12/06	SCUDO BOX 2.0	RHW (DW10ATED4)	Diesel	1997	4	495	1162
12/99→12/06	SCUDO BOX 2.0	RHX	Diesel	1997	4	497	1165
05/00→12/06	SCUDO BOX 2.0	RFN (EW10J4)	Petrol	1997	4	485	1156
12/02→12/06	SCUDO BOX 2.0	RHZ	Diesel	1997	4	497	1165



ccm

X



9



01/07→	SCUDO BOX 2.0	RHK	Diesel	1997	4	489	1160
01/07→	SCUDO BOX 2.0	RHR	Diesel	1997	4	493	1162
07/10→	SCUDO BOX 2.0	RHH	Diesel	1997	4	488	1158
05/11→	SCUDO BOX 2.0	RH02	Diesel	1997	4	488	1153
02/96→12/06	SCUDO COMBINATO 1.6	220 A 2.000	Petrol	1581	4	558	1204
02/96→04/98	SCUDO COMBINATO 1.9	D9B	Diesel	1905	4	333	1024
02/96→12/06	SCUDO COMBINATO 1.9	D8B	Diesel	1905	4	331	1022
02/96→12/06	SCUDO COMBINATO 1.9	DHX (XUD9TF/L)	Diesel	1905	4	336	1026
04/98→12/06	SCUDO COMBINATO 1.9	WJZ (DW8)	Diesel	1868	4	294	992
05/99→12/06	SCUDO COMBINATO 2.0	RHW (DW10ATED4)	Diesel	1997	4	495	1162
12/99→12/06	SCUDO COMBINATO 2.0	RHZ	Diesel	1997	4	497	1165
06/00→12/06	SCUDO COMBINATO 2.0	RFN (EW10J4)	Petrol	1997	4	485	1156
01/04→12/06	SCUDO COMBINATO 2.0	RHX	Diesel	1997	4	497	1165
01/07→	SCUDO PLATFORM/CHASSIS 1.6	9HU	Diesel	1560	4	86	838
01/07→	SCUDO PLATFORM/CHASSIS 2.0	DW10BTED4	Diesel	1997	4	483	1154
01/07→	SCUDO PLATFORM/CHASSIS 2.0	RHK	Diesel	1997	4	489	1160
01/07→	SCUDO PLATFORM/CHASSIS 2.0	RHR	Diesel	1997	4	493	1162
07/10→	SCUDO PLATFORM/CHASSIS 2.0	RHH	Diesel	1997	4	488	1158
05/11→	SCUDO PLATFORM/CHASSIS 2.0	RH02	Diesel	1997	4	488	1153
06/06→	SEDICI 1.6	M16A	Petrol	1586	4	111	858
06/06→	SEDICI 1.9	D19AA	Diesel	1910	4	257	950
06/06→	SEDICI 2.0	D20AA	Diesel	1956	4	340	1032
01/98→01/10	SEICENTO 0.9	1170 A1.046	Petrol	899	4	6	756
01/98→01/10	SEICENTO 1.1	176 B2.000	Petrol	1108	4	38	787
01/98→01/10	SEICENTO 1.1	187 A1.000	Petrol	1108	4	40	789
01/98→01/10	SEICENTO VAN 0.9	1170 A1.046	Petrol	899	4	6	756
01/98→01/10	SEICENTO VAN 1.1	176 B2.000	Petrol	1108	4	38	787
09/00→	SIENA 1.0	178 D9.011	Petrol	999	4	34	
09/98→	SIENA 1.2	178 B5.000	Petrol	1242	4	53	803
09/01→	SIENA 1.2	178 C4.066	Petrol	1242	4	55	804
09/01→	SIENA 1.2	188 A4.000	Petrol	1242	4	58	809
09/01→	SIENA 1.2	188 A5.000	Petrol	1242	4	60	810
03/04→05/05	SIENA 1.2	178 E9.011	Petrol	1242	4		806
09/03→	SIENA 1.3	188 A9.000	Diesel	1248	4	22	776
04/96→	SIENA 1.4	178 B2.000	Petrol	1372	4	176	910
04/96→	SIENA 1.4	178 B2.016	Petrol	1372	4	177	910
06/04→10/07	SIENA 1.4	178 F3.011	Petrol	1368	4		814
09/98→	SIENA 1.6	178 B3.000	Petrol	1581	4	548	1205
11/00→	SIENA 1.6	182 B6.000	Petrol	1596	4	181	916
02/06→	SIENA 1.7	176 A3.000	Diesel	1698	4	302	997
06/04→	SIENA 1.8	93313090-7U	Petrol	1796	4	183	919
11/00→	SIENA 1.9	223 A6.000	Diesel	1910	4	230	951
02/02→11/06	STILO 1.2	188 A5.000	Petrol	1242	4	60	810
01/04→11/06	STILO 1.4	843 A1.000	Petrol	1368	4	77	818
03/05→11/06	STILO 1.4	192 B2.000	Petrol	1368	4	66	813
10/01→11/06	STILO 1.6	182 B6.000	Petrol	1596	4	181	916
05/05→11/06	STILO 1.6	192 B3.000	Petrol	1598	4	114	862
10/01→11/06	STILO 1.8	192 A4.000	Petrol	1747	4	199	931
10/01→11/06	STILO 1.9	192 A1.000	Diesel	1910	4	221	945
10/01→11/06	STILO 1.9	937 A7.000	Diesel	1910	4	244	957
02/02→11/06	STILO 1.9	192 A3.000	Diesel	1910	4	222	941
09/03→11/06	STILO 1.9	937 A4.000	Diesel	1910	4	239	946
01/04→11/06	STILO 1.9	192 A5.000	Diesel	1910	4	223	946
04/04→11/06	STILO 1.9	192 B1.000	Diesel	1910	4	223	946
09/04→11/06	STILO 1.9	192 B5.000	Diesel	1910	4	228	948
09/05→11/06	STILO 1.9	192 A8.000	Diesel	1910	4	225	947
09/05→11/06	STILO 1.9	192 A9.000	Diesel	1910	4	226	948
09/05→11/06	STILO 1.9	937 A5.000	Diesel	1910	4	240	946
10/01→11/06	STILO 2.4	192 A2.000	Petrol	2446	5	354	1044
01/04→08/08	STILO MULTI WAGON 1.4	843 A1.000	Petrol	1368	4	77	818
03/05→08/08	STILO MULTI WAGON 1.4	192 B2.000	Petrol	1368	4	66	813
01/03→08/08	STILO MULTI WAGON 1.6	182 B6.000	Petrol	1596	4	181	916
03/05→12/07	STILO MULTI WAGON 1.6	192 B3.000	Petrol	1598	4	114	862
01/03→08/08	STILO MULTI WAGON 1.8	192 A4.000	Petrol	1747	4	199	931
01/03→08/08	STILO MULTI WAGON 1.9	192 A1.000	Diesel	1910	4	221	945
01/03→08/08	STILO MULTI WAGON 1.9	192 A3.000	Diesel	1910	4	222	941
01/03→08/08	STILO MULTI WAGON 1.9	937 A7.000	Diesel	1910	4	244	957
09/03→08/08	STILO MULTI WAGON 1.9	937 A4.000	Diesel	1910	4	239	946
01/04→08/08	STILO MULTI WAGON 1.9	192 A5.000	Diesel	1910	4	223	946
04/04→08/08	STILO MULTI WAGON 1.9	192 B1.000	Diesel	1910	4	223	946
09/04→08/08	STILO MULTI WAGON 1.9	192 B5.000	Diesel	1910	4	228	948
09/05→08/08	STILO MULTI WAGON 1.9	192 A8.000	Diesel	1910	4	225	947



ccm

x



9



09/05→08/08	STILO MULTI WAGON 1.9	192 A9.000	Diesel	1910	4	226	948
09/05→08/08	STILO MULTI WAGON 1.9	937 A5.000	Diesel	1910	4	240	946
06/99→	STRADA PICKUP 1.2	178 B5.000	Petrol	1242	4	53	803
04/03→	STRADA PICKUP 1.2	188 A4.000	Petrol	1242	4	58	809
05/06→	STRADA PICKUP 1.3	223 A9.000	Diesel	1248	4	33	783
10/10→	STRADA PICKUP 1.3	199 B1.000	Diesel	1248	4	30	780
06/99→	STRADA PICKUP 1.7	176 A3.000	Diesel	1698	4	302	997
12/00→	STRADA PICKUP 1.9	223 A6.000	Diesel	1910	4	230	951
04/03→	STRADA PICKUP 1.9	188 A2.000	Diesel	1910	4	216	941
03/89→03/94	TALENTO BOX 1.9	149 B1.000	Diesel	1929	4	307	1001
03/89→03/94	TALENTO BOX 2.0	170 B	Petrol	1971	4	574	1224
03/89→03/94	TALENTO BUS 1.9	149 B1.000	Diesel	1929	4	307	1001
03/89→03/94	TALENTO BUS 2.0	170 B	Petrol	1971	4	574	1224
03/89→03/94	TALENTO PLATFORM/CHASSIS 1.9	149 B1.000	Diesel	1929	4	307	1001
03/89→03/94	TALENTO PLATFORM/CHASSIS 2.0	170 B	Petrol	1971	4	574	1224
03/91→08/96	TEMPRA 1.4	159 A2.000	Petrol	1372	4	172	911
03/92→08/96	TEMPRA 1.4	160 A1.046	Petrol	1372	4	173	912
03/92→08/96	TEMPRA 1.4	836 A4.000	Petrol	1372	4	172	912
03/90→04/93	TEMPRA 1.6	159 A3.000	Petrol	1581	4	541	1199
04/90→08/96	TEMPRA 1.6	159 A3.048	Petrol	1581	4	543	1200
06/90→07/92	TEMPRA 1.6	159 A3.046	Petrol	1581	4	542	1199
06/92→08/96	TEMPRA 1.6	835 C1.000	Petrol	1581	4	562	1215
06/94→08/96	TEMPRA 1.6	159 B9.000	Petrol	1581	4	545	1202
03/90→08/96	TEMPRA 1.8	159 A4.000	Petrol	1756	4	398	1080
03/92→08/96	TEMPRA 1.8	159 A4.046	Petrol	1756	4	399	1080
09/93→08/96	TEMPRA 1.8	835 C2.000	Petrol	1756	4	403	1085
09/93→08/96	TEMPRA 1.8	835 C4.000	Petrol	1756	4	406	1086
10/94→08/96	TEMPRA 1.8	836 A5.000	Petrol	1756	4	409	1089
05/90→08/96	TEMPRA 1.9	160 A6.000	Diesel	1929	4	311	1006
05/90→08/96	TEMPRA 1.9	160 D1.000	Diesel	1929	4	315	1006
07/91→08/96	TEMPRA 1.9	149 A1.000	Diesel	1929	4	306	1001
07/91→08/96	TEMPRA 1.9	160 A7.000	Diesel	1929	4	313	1001
07/92→08/96	TEMPRA 1.9	160 B6.046	Diesel	1929	4	314	1006
10/90→08/96	TEMPRA 2.0	159 A6.046	Petrol	1995	4	441	1123
03/91→08/96	TEMPRA S.W. 1.4	159 A2.000	Petrol	1372	4	172	911
10/92→08/96	TEMPRA S.W. 1.4	160 A1.046	Petrol	1372	4	173	912
10/92→08/96	TEMPRA S.W. 1.4	836 A4.000	Petrol	1372	4	172	912
10/90→08/96	TEMPRA S.W. 1.6	159 A3.046	Petrol	1581	4	542	1199
10/90→08/96	TEMPRA S.W. 1.6	835 C1.000	Petrol	1581	4	562	1215
12/90→04/93	TEMPRA S.W. 1.6	159 A3.000	Petrol	1581	4	541	1199
10/92→08/96	TEMPRA S.W. 1.6	159 A3.048	Petrol	1581	4	543	1200
06/94→08/96	TEMPRA S.W. 1.6	159 B9.000	Petrol	1581	4	545	1202
03/90→08/96	TEMPRA S.W. 1.8	159 A4.000	Petrol	1756	4	398	1080
03/92→12/93	TEMPRA S.W. 1.8	159 A4.046	Petrol	1756	4	399	1080
09/93→08/96	TEMPRA S.W. 1.8	835 C2.000	Petrol	1756	4	403	1085
09/93→08/96	TEMPRA S.W. 1.8	835 C4.000	Petrol	1756	4	406	1086
10/94→08/96	TEMPRA S.W. 1.8	836 A5.000	Petrol	1756	4	409	1089
07/91→02/95	TEMPRA S.W. 1.9	160 A6.000	Diesel	1929	4	311	1006
07/91→02/95	TEMPRA S.W. 1.9	160 D1.000	Diesel	1929	4	315	1006
07/91→08/96	TEMPRA S.W. 1.9	149 A1.000	Diesel	1929	4	306	1001
07/91→08/96	TEMPRA S.W. 1.9	160 A7.000	Diesel	1929	4	313	1001
03/92→06/93	TEMPRA S.W. 1.9	160 B6.046	Diesel	1929	4	314	1006
01/91→03/95	TEMPRA S.W. 2.0	159 A6.046	Petrol	1995	4	441	1123
01/88→10/91	TIPO 1.1	160 A3.000	Petrol	1108	4	37	786
07/87→12/89	TIPO 1.4	160 A1.000	Petrol	1372	4	172	911
07/87→12/89	TIPO 1.4	160 A1.048	Petrol	1372	4	174	912
05/89→04/95	TIPO 1.4	159 A2.000	Petrol	1372	4	172	911
05/89→04/95	TIPO 1.4	160 A1.046	Petrol	1372	4	173	912
05/89→04/95	TIPO 1.4	836 A4.000	Petrol	1372	4	172	912
01/88→10/92	TIPO 1.6	160 A2.000	Petrol	1581	4	546	1203
02/88→05/91	TIPO 1.6	149 C2.046	Petrol	1595	4	392	1063
05/89→10/95	TIPO 1.6	159 A3.000	Petrol	1581	4	541	1199
07/90→01/93	TIPO 1.6	159 A3.046	Petrol	1581	4	542	1199
10/92→04/95	TIPO 1.6	159 A3.048	Petrol	1581	4	543	1200
10/92→04/95	TIPO 1.6	835 C1.000	Petrol	1581	4	562	1215
01/88→10/95	TIPO 1.7	149 B4.000	Diesel	1697	4	296	994
11/89→06/92	TIPO 1.8	160 A5.000	Petrol	1756	4	400	1081
10/90→06/93	TIPO 1.8	159 A4.046	Petrol	1756	4	399	1080
10/90→10/95	TIPO 1.8	159 A4.000	Petrol	1756	4	398	1080
03/93→10/95	TIPO 1.8	836 A5.000	Petrol	1756	4	409	1089
04/93→04/95	TIPO 1.8	835 C2.000	Petrol	1756	4	403	1085
09/93→04/95	TIPO 1.8	835 C4.000	Petrol	1756	4	406	1086



ccm

X



9



09/90→04/95	TIPO 1.9	160 A6.000	Diesel	1929	4	311	1006
09/90→04/95	TIPO 1.9	160 A6.046	Diesel	1929	4	312	1006
09/90→04/95	TIPO 1.9	160 D1.000	Diesel	1929	4	315	1006
07/91→08/96	TIPO 1.9	149 A1.000	Diesel	1929	4	306	1001
07/91→08/96	TIPO 1.9	160 A7.000	Diesel	1929	4	313	1001
03/92→06/93	TIPO 1.9	160 B6.046	Diesel	1929	4	314	1006
03/90→04/95	TIPO 2.0	159 A6.046	Petrol	1995	4	441	1123
06/90→10/92	TIPO 2.0	159 A5.046	Petrol	1995	4	440	1122
07/91→04/95	TIPO 2.0	160 A8.046	Petrol	1995	4	442	1124
03/93→04/95	TIPO 2.0	836 A3.000	Petrol	1995	4	476	1121
03/93→04/95	TIPO 2.0	836 A3.011	Petrol	1995	4	477	1146
05/97→08/02	ULYSSE 1.8	LFW	Petrol	1761	4	330	1021
02/95→08/02	ULYSSE 1.9	DHX (XUD9TF/L)	Diesel	1905	4	336	1026
06/94→08/02	ULYSSE 2.0	RFU (XU10J2C)	Petrol	1998	4	510	1176
06/94→08/02	ULYSSE 2.0	RGX (XU10J2CTE)	Petrol	1998	4	514	1179
05/98→09/00	ULYSSE 2.0	RFV	Petrol	1998	4	512	1178
05/99→08/06	ULYSSE 2.0	RHW (DW10ATED4)	Diesel	1997	4	495	1162
10/99→08/02	ULYSSE 2.0	RHZ	Diesel	1997	4	497	1165
09/00→06/11	ULYSSE 2.0	RFN (EW10J4)	Petrol	1997	4	485	1156
05/03→08/06	ULYSSE 2.0	RHM (DW10ATED4)	Diesel	1997	4	490	1161
05/06→06/11	ULYSSE 2.0	RHK	Diesel	1997	4	489	1160
05/06→06/11	ULYSSE 2.0	RHR	Diesel	1997	4	493	1162
03/96→10/99	ULYSSE 2.1	P8C	Diesel	2088	4	499	1167
08/02→08/06	ULYSSE 2.2	4HW (DW12ATED4)	Diesel	2179	4	505	1169
03/08→06/11	ULYSSE 2.2	4HP	Diesel	2179	4	501	1153
03/08→06/11	ULYSSE 2.2	4HR	Diesel	2179	4	501	1168
03/08→06/11	ULYSSE 2.2	4HS	Diesel	2179	4	501	1168
03/08→06/11	ULYSSE 2.2	4HT (DW12BTED4)	Diesel	2179	4	502	1168
08/02→06/11	ULYSSE 3.0	XFW	Petrol	2946	V6	572	1223
03/83→09/92	UNO 0.9	146 A.000	Petrol	903	4	11	761
03/83→09/92	UNO 0.9	146 A1.000	Petrol	903	4	13	762
04/84→08/00	UNO 1.0	156 A2.246	Petrol	999	4	36	785
06/86→12/93	UNO 1.0	156 A2.048	Petrol	999	4	36	790
06/86→12/93	UNO 1.0	156 A2.100	Petrol	999	4	36	793
06/89→02/92	UNO 1.0	156 A2.000	Petrol	999	4	43	793
01/83→08/89	UNO 1.1	138 B.000	Petrol	1116	4	121	871
05/85→08/89	UNO 1.1	146 A4.048	Petrol	1116	4	125	873
01/86→12/89	UNO 1.1	146 A4.044	Petrol	1116	4	124	873
04/89→06/06	UNO 1.1	160 A3.000	Petrol	1108	4	37	786
01/90→12/93	UNO 1.1	156 C.046	Petrol	1108	4	37	785
06/92→12/93	UNO 1.1	146 C3.000	Petrol	1116	4	128	876
01/83→04/85	UNO 1.3	138 B2.000	Petrol	1302	4	526	1188
06/83→03/92	UNO 1.3	127 A5.000	Diesel	1302	4	95	846
06/83→03/92	UNO 1.3	146 B1.000	Diesel	1301	4	94	845
04/85→08/89	UNO 1.3	146 A2.000	Petrol	1301	4	166	907
05/85→08/89	UNO 1.3	149 A7.000	Petrol	1302	4	526	1188
01/87→12/87	UNO 1.3	146 A2.146	Petrol	1301	4	167	908
09/89→03/91	UNO 1.3	146 A2.246	Petrol	1301	4	167	907
10/86→10/90	UNO 1.4	146 B.000	Diesel	1367	4	106	853
10/86→10/90	UNO 1.4	146 B3.000	Diesel	1367	4	106	853
10/88→08/00	UNO 1.4	146 A8.000	Petrol	1372	4	168	909
09/89→10/92	UNO 1.4	160 A1.048	Petrol	1372	4	174	912
09/89→09/93	UNO 1.4	146 A8.046	Petrol	1372	4	169	909
09/89→12/93	UNO 1.4	146 C1.000	Petrol	1372	4	170	910
09/89→07/96	UNO 1.4	160 A1.046	Petrol	1372	4	173	912
10/85→12/93	UNO 1.5	138 C2.048	Petrol	1499	4	538	1196
10/85→12/93	UNO 1.5	149 C1.000	Petrol	1499	4	539	1197
12/89→12/93	UNO 1.6	159 A3.046	Petrol	1581	4	542	1199
12/92→12/95	UNO 1.6	159 A3.048	Petrol	1581	4	543	1200
07/86→08/89	UNO 1.7	149 B3.000	Diesel	1698	4	301	994
09/89→08/00	UNO 1.7	146 B2.000	Diesel	1698	4	299	994
09/89→03/94	UNO 1.9	149 B5.046	Diesel	1929	4	308	1002
02/88→07/96	UNO BOX 0.9	146 A.000	Petrol	903	4	11	761
02/88→07/96	UNO BOX 0.9	146 A1.000	Petrol	903	4	13	762
02/88→02/92	UNO BOX 1.1	146 A4.048	Petrol	1116	4	125	873
02/88→02/92	UNO BOX 1.1	146 A6.000	Petrol	1116	4	126	874
02/88→02/92	UNO BOX 1.7	146 B2.000	Diesel	1698	4	299	994
02/88→02/92	UNO BOX 1.7	149 B4.046	Diesel	1697	4	297	993



ccm

x



9



01/78→12/89	DAILY I BOX BODY / ESTATE 2.4	8140.61.200	Diesel	2445	4	620	1262
01/85→12/89	DAILY I BOX BODY / ESTATE 2.4	8140.21.200	Diesel	2445	4	614	1252
01/85→12/89	DAILY I BOX BODY / ESTATE 2.5	8140.27 S	Diesel	2445	4	617	1258
01/78→12/89	DAILY I PLATFORM/CHASSIS 2.4	8140.61.200	Diesel	2445	4	620	1262
01/85→12/89	DAILY I PLATFORM/CHASSIS 2.4	8140.21.200	Diesel	2445	4	614	1252
01/85→12/89	DAILY I PLATFORM/CHASSIS 2.5	8140.27 S	Diesel	2445	4	617	1258
01/89→04/96	DAILY II BOX BODY / ESTATE 2.5	8140.27.2720	Diesel	2499	4	641	1284
01/89→05/96	DAILY II BOX BODY / ESTATE 2.5	8140.27.2700	Diesel	2499	4	641	1283
01/89→08/98	DAILY II BOX BODY / ESTATE 2.5	8140.47R	Diesel	2499	4	658	1297
01/89→08/98	DAILY II BOX BODY / ESTATE 2.5	8140.47R.2790	Diesel	2499	4	660	1298
01/89→08/98	DAILY II BOX BODY / ESTATE 2.5	8140.67F.	Diesel	2499	4	663	1302
01/89→08/98	DAILY II BOX BODY / ESTATE 2.5	8140.67F.3710	Diesel	2499	4		1300
01/89→08/98	DAILY II BOX BODY / ESTATE 2.5	8140.67F.3711	Diesel	2499	4		1300
01/89→08/98	DAILY II BOX BODY / ESTATE 2.5	8140.67F.3713	Diesel	2499	4		1300
01/89→08/98	DAILY II BOX BODY / ESTATE 2.5	8140.67F.3721	Diesel	2499	4		1300
01/89→08/98	DAILY II BOX BODY / ESTATE 2.5	8140.07.2700	Diesel	2499	4	635	1275
01/89→08/98	DAILY II BOX BODY / ESTATE 2.5	8140.07.2712	Diesel	2499	4	637	1278
01/90→04/96	DAILY II BOX BODY / ESTATE 2.5	8140.47.2700	Diesel	2499	4	652	1291
06/90→04/96	DAILY II BOX BODY / ESTATE 2.5	8140.47.2711	Diesel	2499	4	641	1292
06/90→04/96	DAILY II BOX BODY / ESTATE 2.5	8140.47.2721	Diesel	2499	4	653	1293
01/91→08/98	DAILY II BOX BODY / ESTATE 2.5	8140.67F.3701	Diesel	2499	4		1300
09/96→08/98	DAILY II BOX BODY / ESTATE 2.5	8140.97.2781	Diesel	2499	4	664	1303
02/95→05/99	DAILY II BOX BODY / ESTATE 2.8	8140.43.	Diesel	2798	4	717	1333
01/96→05/99	DAILY II BOX BODY / ESTATE 2.8	8140.23.	Diesel	2798	4	710	1329
09/98→05/99	DAILY II BOX BODY / ESTATE 2.8	8140.63.	Diesel	2798	4	734	1343
06/90→04/96	DAILY II BUS 2.5	8140.47.2711	Diesel	2499	4	641	1292
06/90→04/96	DAILY II BUS 2.5	8140.47.2721	Diesel	2499	4	653	1293
01/91→12/96	DAILY II BUS 2.5	8140.27.2720	Diesel	2499	4	641	1284
05/96→05/99	DAILY II BUS 2.8	8140.23.	Diesel	2798	4	710	1329
05/96→05/99	DAILY II BUS 2.8	8140.43.	Diesel	2798	4	717	1333
01/89→04/96	DAILY II DUMPTRUCK 2.5	8140.47R.2790	Diesel	2499	4	660	1298
01/89→04/96	DAILY II DUMPTRUCK 2.5	8140.27.2700	Diesel	2499	4	641	1283
06/90→04/96	DAILY II DUMPTRUCK 2.5	8140.47.2711	Diesel	2499	4	641	1292
06/90→04/96	DAILY II DUMPTRUCK 2.5	8140.47.2721	Diesel	2499	4	653	1293
05/91→04/96	DAILY II DUMPTRUCK 2.5	8140.47.2700	Diesel	2499	4	652	1291
01/92→04/96	DAILY II DUMPTRUCK 2.5	8140.27.2720	Diesel	2499	4	641	1284
05/96→05/99	DAILY II DUMPTRUCK 2.8	8140.23.	Diesel	2798	4	710	1329
05/96→05/99	DAILY II DUMPTRUCK 2.8	8140.43.	Diesel	2798	4	717	1333
09/98→05/99	DAILY II DUMPTRUCK 2.8	8140.63.	Diesel	2798	4	734	1343
01/89→04/96	DAILY II PLATFORM/CHASSIS 2.5	8140.27.2700	Diesel	2499	4	641	1283
01/89→04/96	DAILY II PLATFORM/CHASSIS 2.5	8140.27.2720	Diesel	2499	4	641	1284
01/89→12/96	DAILY II PLATFORM/CHASSIS 2.5	8140.47R	Diesel	2499	4	658	1297
01/89→12/96	DAILY II PLATFORM/CHASSIS 2.5	8140.47R.2790	Diesel	2499	4	660	1298
01/89→12/96	DAILY II PLATFORM/CHASSIS 2.5	8140.97.2781	Diesel	2499	4	664	1303
01/89→08/98	DAILY II PLATFORM/CHASSIS 2.5	8140.67F.	Diesel	2499	4	663	1302
01/89→08/98	DAILY II PLATFORM/CHASSIS 2.5	8140.07.2700	Diesel	2499	4	635	1275
01/89→08/98	DAILY II PLATFORM/CHASSIS 2.5	8140.07.2712	Diesel	2499	4	637	1278
01/90→04/96	DAILY II PLATFORM/CHASSIS 2.5	8140.47.2700	Diesel	2499	4	652	1291
06/90→04/96	DAILY II PLATFORM/CHASSIS 2.5	8140.47.2711	Diesel	2499	4	641	1292
06/90→04/96	DAILY II PLATFORM/CHASSIS 2.5	8140.47.2721	Diesel	2499	4	653	1293
01/92→08/98	DAILY II PLATFORM/CHASSIS 2.5	8140.67F.3710	Diesel	2499	4		1300
01/92→08/98	DAILY II PLATFORM/CHASSIS 2.5	8140.67F.3711	Diesel	2499	4		1300
01/92→08/98	DAILY II PLATFORM/CHASSIS 2.5	8140.67F.3713	Diesel	2499	4		1300
01/92→08/98	DAILY II PLATFORM/CHASSIS 2.5	8140.67F.3721	Diesel	2499	4		1300
01/96→05/99	DAILY II PLATFORM/CHASSIS 2.8	8140.23.	Diesel	2798	4	710	1329
05/96→05/99	DAILY II PLATFORM/CHASSIS 2.8	8140.43.	Diesel	2798	4	717	1333
09/98→05/99	DAILY II PLATFORM/CHASSIS 2.8	8140.63.	Diesel	2798	4	734	1343
09/02→	DAILY III BOX BODY / ESTATE 2.3	F1AE0481A	Diesel	2287	4	582	1229
09/02→	DAILY III BOX BODY / ESTATE 2.3	F1AE0481B	Diesel	2287	4	583	1229
01/05→04/06	DAILY III BOX BODY / ESTATE 2.3	F1AE0481M	Diesel	2287	4	588	1232
11/97→07/07	DAILY III BOX BODY / ESTATE 2.8	8140.23.	Diesel	2798	4	710	1329
05/99→	DAILY III BOX BODY / ESTATE 2.8	8140.43C	Diesel	2798	4	724	1336
05/99→	DAILY III BOX BODY / ESTATE 2.8	8140.43S	Diesel	2798	4	732	1339
05/99→	DAILY III BOX BODY / ESTATE 2.8	8140.63.	Diesel	2798	4	734	1343
01/01→	DAILY III BOX BODY / ESTATE 2.8	8140.43N	Diesel	2798	4	727	1339
11/01→04/06	DAILY III BOX BODY / ESTATE 2.8	8140.43R	Diesel	2798	4	730	1341
07/99→04/06	DAILY III BOX BODY / ESTATE 3.0	F1CE0481A	Diesel	2998	4	742	1352
09/04→04/06	DAILY III BOX BODY / ESTATE 3.0	F1CE0481B	Diesel	2998	4	742	1352
09/02→	DAILY III PLATFORM/CHASSIS 2.3	F1AE0481A	Diesel	2287	4	582	1229
09/02→	DAILY III PLATFORM/CHASSIS 2.3	F1AE0481B	Diesel	2287	4	583	1229
01/05→	DAILY III PLATFORM/CHASSIS 2.3	F1AE0481M	Diesel	2287	4	588	1232



ccm

X



9



05/99→	DAILY III PLATFORM/CHASSIS 2.8	8140.43B	Diesel	2798	4	720	1335
05/99→	DAILY III PLATFORM/CHASSIS 2.8	8140.43C	Diesel	2798	4	724	1336
05/99→	DAILY III PLATFORM/CHASSIS 2.8	8140.43S	Diesel	2798	4	732	1339
05/99→	DAILY III PLATFORM/CHASSIS 2.8	8140.63.	Diesel	2798	4	734	1343
01/01→	DAILY III PLATFORM/CHASSIS 2.8	8140.43N	Diesel	2798	4	727	1339
11/01→04/06	DAILY III PLATFORM/CHASSIS 2.8	8140.43R	Diesel	2798	4	730	1341
09/04→04/06	DAILY III PLATFORM/CHASSIS 3.0	F1CE0481A	Diesel	2998	4	742	1352
09/04→04/06	DAILY III PLATFORM/CHASSIS 3.0	F1CE0481B	Diesel	2998	4	742	1352
05/06→	DAILY IV BOX BODY / ESTATE 2.3	F1AE0481FA	Diesel	2287	4	586	1232
05/06→	DAILY IV BOX BODY / ESTATE 2.3	F1AE0481GA	Diesel	2287	4	586	1232
05/06→	DAILY IV BOX BODY / ESTATE 2.3	F1AE0481HA	Diesel	2287	4	586	1232
05/06→	DAILY IV BOX BODY / ESTATE 3.0	F1CE0481FA	Diesel	2998	4	743	1352
05/06→	DAILY IV BOX BODY / ESTATE 3.0	F1CE0481HA	Diesel	2998	4	743	1354
05/06→	DAILY IV BOX BODY / ESTATE 3.0	F1CE0481HC	Diesel	2998	4	743	1354
06/06→	DAILY IV BOX BODY / ESTATE 3.0	F1CE0481L	Diesel	2998	4		1353
07/07→	DAILY IV BOX BODY / ESTATE 3.0	F1CE0441A	Gas	2998	4		1351
07/07→	DAILY IV BOX BODY / ESTATE 3.0	F1CE3481LC	Diesel	2998	4	744	
05/06→	DAILY IV BUS 2.3	F1AE0481HA	Diesel	2287	4	586	1232
07/09→	DAILY IV BUS 3.0	F1CE0441A	Gas	2998	4		1351
05/06→	DAILY IV DUMPTRUCK 2.3	F1AE0481FA	Diesel	2287	4	586	1232
05/06→	DAILY IV DUMPTRUCK 2.3	F1AE0481GA	Diesel	2287	4	586	1232
07/07→	DAILY IV DUMPTRUCK 2.3	F1AE0481HA	Diesel	2287	4	586	1232
05/06→	DAILY IV DUMPTRUCK 3.0	F1CE0481FA	Diesel	2998	4	743	1352
05/06→	DAILY IV DUMPTRUCK 3.0	F1CE0481HA	Diesel	2998	4	743	1354
05/06→	DAILY IV DUMPTRUCK 3.0	F1CE0481HC	Diesel	2998	4	743	1354
07/07→	DAILY IV DUMPTRUCK 3.0	F1CE3481LC	Diesel	2998	4	744	
05/06→	DAILY IV PLATFORM/CHASSIS 2.3	F1AE0481FA	Diesel	2287	4	586	1232
05/06→	DAILY IV PLATFORM/CHASSIS 2.3	F1AE0481GA	Diesel	2287	4	586	1232
05/06→	DAILY IV PLATFORM/CHASSIS 2.3	F1AE0481HA	Diesel	2287	4	586	1232
05/06→	DAILY IV PLATFORM/CHASSIS 3.0	F1CE0481FA	Diesel	2998	4	743	1352
05/06→	DAILY IV PLATFORM/CHASSIS 3.0	F1CE0481HA	Diesel	2998	4	743	1354
05/06→	DAILY IV PLATFORM/CHASSIS 3.0	F1CE0481HC	Diesel	2998	4	743	1354
07/07→	DAILY IV PLATFORM/CHASSIS 3.0	F1CE0441A	Gas	2998	4		1351
07/07→	DAILY IV PLATFORM/CHASSIS 3.0	F1CE3481LC	Diesel	2998	4	744	
09/11→	DAILY V BOX BODY / ESTATE 2.3	F1AE3481A	Diesel	2287	4	587	1234
09/11→	DAILY V BOX BODY / ESTATE 2.3	F1AE3481B	Diesel	2287	4	587	1234
09/11→	DAILY V BOX BODY / ESTATE 2.3	F1AE3481C	Diesel	2287	4	587	1234
09/11→	DAILY V DUMPTRUCK 2.3	F1AE3481A	Diesel	2287	4	587	1234
09/11→	DAILY V DUMPTRUCK 2.3	F1AE3481B	Diesel	2287	4	587	1234
09/11→	DAILY V PLATFORM/CHASSIS 2.3	F1AE3481A	Diesel	2287	4	587	1234
09/11→	DAILY V PLATFORM/CHASSIS 2.3	F1AE3481B	Diesel	2287	4	587	1234
	M26 2.5	8140 SC 27.02	Diesel	2500	4	678	1317
	M26 2.8	8140.23.2585	Diesel	2799	4	711	1331
10/08→	MASSIF PICKUP 3.0	F1CE0481FA	Diesel	2998	4	743	1352
10/08→	MASSIF PICKUP 3.0	F1CE0481HA	Diesel	2998	4	743	1354
10/08→	MASSIF SINGLE CAB 3.0	F1CE0481FA	Diesel	2998	4	743	1352
10/08→	MASSIF SINGLE CAB 3.0	F1CE0481HA	Diesel	2998	4	743	1354
10/08→	MASSIF STATION WAGON 3.0	F1CE0481FA	Diesel	2998	4	743	1352
10/08→	MASSIF STATION WAGON 3.0	F1CE0481HA	Diesel	2998	4	743	1354



ccm



9



03/81→06/86	A 112 0.9	A112 A.000	Petrol	903	4	16	765
03/81→06/86	A 112 0.9	A112 A5.000	Petrol	903	4	16	766
03/81→06/86	A 112 0.9	A112 B2.000	Petrol	903	4	17	765
03/78→02/84	A 112 1.0	A112 A2.000	Petrol	1050	4	18	767
03/84→12/86	A 112 1.0	A112 B1.000	Petrol	965	4	19	769
08/73→07/76	BETA 1.4	828 A2.000	Petrol	1438	4	145	889
08/73→07/82	BETA 1.6	828 B.000	Petrol	1585	V4	385	1068
08/73→07/76	BETA 1.8	828 A1.000	Petrol	1756	4		1082
04/76→07/82	BETA 2.0	828 B1.000	Petrol	1995	4	385	1068
12/81→12/84	BETA COUPE 1.4	828 D3.000	Petrol	1367	4		852
04/76→12/84	BETA COUPE 1.6	828 B.000	Petrol	1585	V4	385	1068
04/76→12/84	BETA COUPE 2.0	828 B1.000	Petrol	1995	4	385	1068
07/83→12/84	BETA COUPE 2.0	828 B7.000	Petrol	1995	4	446	1078
08/80→09/84	BETA H.P.E. 1.6	828 B.000	Petrol	1585	V4	385	1068
05/76→09/84	BETA H.P.E. 2.0	828 B1.000	Petrol	1995	4	385	1068
05/81→09/84	BETA H.P.E. 2.0	828 B4.000	Petrol	1995	4	445	1127
09/75→05/81	BETA MONTE CARLO 2.0	134 AS.000	Petrol	1995	4	377	1078
05/76→08/82	BETA SPIDER 1.6	828 B.000	Petrol	1585	V4	385	1068
05/76→10/86	BETA SPIDER 2.0	828 B1.000	Petrol	1995	4	385	1068
08/89→03/93	DEDRA 1.6	835 A1.046	Petrol	1581	4	560	1214
08/89→06/94	DEDRA 1.6	835 A1.000	Petrol	1581	4	559	1213
04/93→07/99	DEDRA 1.6	835 C1.000	Petrol	1581	4	561	1214
07/94→07/99	DEDRA 1.6	159 B9.000	Petrol	1581	4	544	1201
01/96→07/99	DEDRA 1.6	182 A4.000	Petrol	1581	4	552	1209
09/89→06/94	DEDRA 1.8	835 A2.000	Petrol	1756	4	401	1083
09/89→07/99	DEDRA 1.8	835 A2.046	Petrol	1756	4	402	1084
08/93→07/99	DEDRA 1.8	835 C5.000	Petrol	1756	4	407	1087
07/94→07/99	DEDRA 1.8	836 A5.000	Petrol	1756	4	408	1084
03/96→07/99	DEDRA 1.8	182 A2.000	Petrol	1747	4	195	929
03/96→07/99	DEDRA 1.8	183 A1.000	Petrol	1747	4	196	930
04/89→07/99	DEDRA 1.9	160 D1.000	Diesel	1929	4	316	1007
04/89→07/99	DEDRA 1.9	835 A4.000	Diesel	1929	4	323	1013
04/89→07/99	DEDRA 1.9	835 A4.046	Diesel	1929	4	324	1013
09/89→07/92	DEDRA 2.0	835 A5.000	Petrol	1995	4	469	1142
09/89→07/99	DEDRA 2.0	835 A5.046	Petrol	1995	4	470	1143
05/90→07/94	DEDRA 2.0	835 A7.000	Petrol	1995	4	471	1129
11/90→06/94	DEDRA 2.0	835 A8.000	Petrol	1995	4	472	1144
11/90→07/94	DEDRA 2.0	835 A7.046	Petrol	1995	4	448	1129
04/91→07/99	DEDRA 2.0	835 A8.046	Petrol	1995	4	473	1145
07/94→07/99	DEDRA 2.0	836 A3.000	Petrol	1995	4	475	1121
10/94→07/99	DEDRA SW 1.6	159 B9.000	Petrol	1581	4	544	1201
01/96→07/99	DEDRA SW 1.6	182 A4.000	Petrol	1581	4	552	1209
07/94→07/99	DEDRA SW 1.8	836 A5.000	Petrol	1756	4	408	1084
03/96→07/99	DEDRA SW 1.8	182 A2.000	Petrol	1747	4	195	929
03/96→07/99	DEDRA SW 1.8	183 A1.000	Petrol	1747	4	196	930
07/94→07/99	DEDRA SW 1.9	160 D1.000	Diesel	1929	4	316	1007
07/94→07/99	DEDRA SW 1.9	835 A4.000	Diesel	1929	4	323	1013
07/94→07/99	DEDRA SW 2.0	836 A3.000	Petrol	1995	4	475	1121
01/86→12/90	DELTA I 1.1	831 B8.000	Petrol	1116	4	129	877
09/79→08/92	DELTA I 1.3	831 A2.000	Petrol	1301	4	523	1187
09/79→08/92	DELTA I 1.3	831 B.000	Petrol	1301	4	524	1187
09/79→12/92	DELTA I 1.5	831 A1.000	Petrol	1498	4	534	1195
09/79→12/92	DELTA I 1.5	831 B1.000	Petrol	1498	4	535	1192
11/82→04/86	DELTA I 1.6	831 A4.000	Petrol	1585	4	386	1069
10/83→12/86	DELTA I 1.6	831 A7.000	Petrol	1585	4	387	1070
08/86→08/88	DELTA I 1.6	831 B3.000	Petrol	1585	4	388	1071
08/86→08/88	DELTA I 1.6	831 B7.000	Petrol	1585	4	390	1066
04/87→03/89	DELTA I 1.6	831 B7.046	Petrol	1585	4	391	1073
05/87→08/92	DELTA I 1.6	149 C2.000	Petrol	1585	4	382	1066
10/86→12/89	DELTA I 1.9	831 D1.000	Diesel	1929	4	321	1011
11/86→08/88	DELTA I 2.0	831 B5.000	Petrol	1995	4	448	1129
12/86→12/92	DELTA I 2.0	831 C5.046	Petrol	1995	4	450	1131
10/87→02/89	DELTA I 2.0	831 C5.000	Petrol	1995	4	449	1130
03/89→09/91	DELTA I 2.0	831 D5.000	Petrol	1995	4	451	1132
06/93→01/94	DELTA I 2.0	831 E5.000	Petrol	1995	4	452	1125
06/93→01/94	DELTA I 2.0	831 E5.046	Petrol	1995	4	452	1125
10/94→08/99	DELTA II 1.4	160 A1.046	Petrol	1372	4	173	913
10/94→08/99	DELTA II 1.4	836 A4.000	Petrol	1372	4	178	915
06/93→08/99	DELTA II 1.6	835 C1.000	Petrol	1581	4	561	1214
01/96→08/99	DELTA II 1.6	182 A4.000	Petrol	1581	4	552	1209
03/96→08/99	DELTA II 1.6	182 A6.000	Petrol	1581	4	552	1209
06/93→08/99	DELTA II 1.8	835 C2.000	Petrol	1756	4	404	1083



ccm

X



9



07/94→08/99	DELTA II 1.8	835 C4.000	Petrol	1756	4	405	1084
07/94→08/99	DELTA II 1.8	836 A6.000	Petrol	1756	4	410	1090
07/94→08/99	DELTA II 1.8	836 C4.000	Petrol	1756	4	405	1084
03/96→08/99	DELTA II 1.8	182 A2.000	Petrol	1747	4	195	929
03/96→08/99	DELTA II 1.8	183 A1.000	Petrol	1747	4	196	930
10/94→08/99	DELTA II 1.9	160 D1.000	Diesel	1929	4	316	1007
10/94→08/99	DELTA II 1.9	835 A4.000	Diesel	1929	4	323	1013
06/93→08/99	DELTA II 2.0	836 A2.000	Petrol	1995	4	474	1125
06/93→08/99	DELTA II 2.0	836 A3.000	Petrol	1995	4	475	1121
07/96→08/99	DELTA II 2.0	175 A4.000	Petrol	1995	4	444	1126
09/08→	DELTA III 1.4	198 A1.000	Petrol	1368	4	68	816
09/08→	DELTA III 1.4	198 A4.000	Petrol	1368	4	70	816
07/10→	DELTA III 1.4	198 A7.000	Petrol	1368	4	68	816
08/08→	DELTA III 1.6	955 A4.000	Diesel	1598	4	117	869
09/08→	DELTA III 1.6	198 A2.000	Diesel	1598	4	116	864
04/11→	DELTA III 1.6	944 A 3.000	Diesel	1598	4	117	866
01/09→	DELTA III 1.8	939 B1.000	Petrol	1742	4	329	1019
01/09→	DELTA III 1.9	844 A1.000	Diesel	1910	4	234	952
09/08→	DELTA III 2.0	198 A5.000	Diesel	1956	4	341	1030
09/08→	DELTA III 2.0	198 A8.000	Diesel	1956	4	341	1032
09/08→	DELTA III 2.0	844 A2.000	Diesel	1956	4		1034
10/94→10/01	KAPPA 2.0	838 A1.000	Petrol	1998	5	266	966
02/95→10/01	KAPPA 2.0	838 A4.000	Petrol	1995	4	478	1147
07/96→10/01	KAPPA 2.0	838 A6.000	Petrol	1998	5	267	968
06/98→10/01	KAPPA 2.0	175 A3.000	Petrol	1998	5	258	965
08/94→10/01	KAPPA 2.4	838 A2.000	Petrol	2446	5	355	1045
08/94→10/01	KAPPA 2.4	838 A2.027	Petrol	2446	5	355	1045
08/94→10/01	KAPPA 2.4	838 A3.000	Diesel	2387	5	271	974
08/94→10/01	KAPPA 2.4	838 A7.000	Diesel	2387	5	271	974
06/98→10/01	KAPPA 2.4	838 A8.000	Diesel	2387	5	272	975
08/94→10/01	KAPPA 3.0	838 B.000	Petrol	2959	V6	686	1323
07/96→03/01	KAPPA COUPE 2.0	838 A6.000	Petrol	1998	5	267	968
11/96→03/01	KAPPA COUPE 2.0	838 A4.000	Petrol	1995	4	478	1147
06/98→03/01	KAPPA COUPE 2.0	175 A3.000	Petrol	1998	5	258	965
11/96→03/01	KAPPA COUPE 2.4	838 A2.000	Petrol	2446	5	355	1045
11/96→03/01	KAPPA COUPE 3.0	838 B.000	Petrol	2959	V6	686	1323
07/96→10/01	KAPPA SW 2.0	838 A4.000	Petrol	1995	4	478	1147
07/96→10/01	KAPPA SW 2.0	838 A6.000	Petrol	1998	5	267	968
06/98→10/01	KAPPA SW 2.0	175 A3.000	Petrol	1998	5	258	965
07/96→10/01	KAPPA SW 2.4	838 A2.000	Petrol	2446	5	355	1045
07/96→10/01	KAPPA SW 2.4	838 A3.000	Diesel	2387	5	271	974
07/96→10/01	KAPPA SW 2.4	838 A7.000	Diesel	2387	5	271	974
06/98→10/01	KAPPA SW 2.4	838 A8.000	Diesel	2387	5	272	975
07/96→10/01	KAPPA SW 3.0	838 B.000	Petrol	2959	V6	686	1323
07/99→10/05	LYBRA 1.6	182 A4.000	Petrol	1581	4	552	1209
10/00→10/05	LYBRA 1.6	182 B6.000	Petrol	1596	4	180	916
07/99→10/05	LYBRA 1.8	839 A4.000	Petrol	1747	4	200	929
07/99→10/05	LYBRA 1.8	839 A7.000	Petrol	1747	4	201	931
07/99→10/05	LYBRA 1.8	839 A9.000	Petrol	1747	4	202	932
07/99→09/00	LYBRA 1.9	AR 32302	Diesel	1910	4	254	937
09/00→05/01	LYBRA 1.9	AR 37101	Diesel	1910	4	255	964
05/01→10/05	LYBRA 1.9	937 A2.000	Diesel	1910	4	235	953
07/99→09/00	LYBRA 2.0	182 B7.000	Petrol	1998	5	263	966
09/00→10/05	LYBRA 2.0	185 A8.000	Petrol	1998	5	264	970
07/99→02/01	LYBRA 2.4	839 A5.000	Diesel	2387	5	273	973
07/99→02/01	LYBRA 2.4	AR 32501	Diesel	2387	5	273	975
09/00→05/02	LYBRA 2.4	839 A6.000	Diesel	2387	5	275	977
05/02→10/05	LYBRA 2.4	841 C.000	Diesel	2387	5	276	977
07/99→10/05	LYBRA SW 1.6	182 A4.000	Petrol	1581	4	552	1209
10/00→10/05	LYBRA SW 1.6	182 B6.000	Petrol	1596	4	180	916
07/99→10/05	LYBRA SW 1.8	839 A4.000	Petrol	1747	4	200	929
07/99→10/05	LYBRA SW 1.8	839 A7.000	Petrol	1747	4	201	931
07/99→09/00	LYBRA SW 1.9	AR 32302	Diesel	1910	4	254	937
09/00→05/01	LYBRA SW 1.9	AR 37101	Diesel	1910	4	255	964
05/01→10/05	LYBRA SW 1.9	937 A2.000	Diesel	1910	4	235	953
07/99→09/00	LYBRA SW 2.0	182 B7.000	Petrol	1998	5	263	966
09/00→10/05	LYBRA SW 2.0	185 A8.000	Petrol	1998	5	264	970
10/99→09/00	LYBRA SW 2.4	839 A5.000	Diesel	2387	5	273	973
10/99→09/00	LYBRA SW 2.4	AR 32501	Diesel	2387	5	273	975
09/00→10/05	LYBRA SW 2.4	839 A6.000	Diesel	2387	5	275	977
05/02→10/05	LYBRA SW 2.4	841 C.000	Diesel	2387	5	276	977
10/04→	MUSA 1.3	188 A9.000	Diesel	1248	4	22	776



ccm

x



9



09/06→	MUSA 1.3	199 A3.000	Diesel	1248	4	29	778
03/09→	MUSA 1.3	199 B1.000	Diesel	1248	4	30	781
10/04→	MUSA 1.4	843 A 1.000	Petrol	1368	4	77	813
09/05→	MUSA 1.4	350 A1.000	Petrol	1368	4	76	825
10/07→	MUSA 1.4	192 B2.000	Petrol	1368	4	67	813
07/08→	MUSA 1.6	350 A2.000	Diesel	1598	4	116	867
07/08→	MUSA 1.6	350 A3.000	Diesel	1598	4	117	866
10/04→	MUSA 1.9	188 B2.000	Diesel	1910	4	219	944
09/02→11/10	PHEDRA 2.0	RFN (EW10J4)	Petrol	1997	4	486	1156
09/02→11/10	PHEDRA 2.0	RHW (DW10ATED4)	Diesel	1997	4	496	1164
07/03→11/10	PHEDRA 2.0	RHM (DW10ATED4)	Diesel	1997	4	491	1159
06/06→11/10	PHEDRA 2.0	RHK (DW10UTED4)	Diesel	1997	4	483	1159
07/06→11/10	PHEDRA 2.0	RHR (DW10BTED4)	Diesel	1997	4	492	1162
09/02→11/10	PHEDRA 2.2	4HW(DW12ATED4)	Diesel	2179	4	504	1170
04/06→11/10	PHEDRA 2.2	4HP	Diesel	2179	4	501	1153
04/06→11/10	PHEDRA 2.2	4HR	Diesel	2179	4	501	1168
03/08→11/10	PHEDRA 2.2	4HS	Diesel	2179	4	501	1168
03/08→11/10	PHEDRA 2.2	4HT	Diesel	2179	4	503	1168
09/02→11/10	PHEDRA 3.0	ES9 J4S	Petrol	2946	V6	570	1222
01/83→02/92	PRISMA 1.3	831 A2.000	Petrol	1301	4	523	1187
01/83→04/86	PRISMA 1.5	831 A1.000	Petrol	1498	4	534	1195
09/85→02/92	PRISMA 1.5	138 C2.048	Petrol	1498	4	531	1190
09/85→02/92	PRISMA 1.5	831 B1.048	Petrol	1498	4	536	1192
08/86→02/92	PRISMA 1.5	831 B1.000	Petrol	1498	4	535	1192
01/83→04/86	PRISMA 1.6	831 A4.000	Petrol	1585	4	386	1069
05/86→12/89	PRISMA 1.6	831 B7.000	Petrol	1585	4	390	1066
08/86→02/92	PRISMA 1.6	831 B6.000	Petrol	1585	4	389	1072
05/87→12/89	PRISMA 1.6	149 C2.000	Petrol	1585	4	382	1066
01/83→02/92	PRISMA 1.9	831 D.000	Diesel	1911	4	305	1000
05/85→12/89	PRISMA 1.9	831 D1.000	Diesel	1929	4	321	1011
04/86→12/89	PRISMA 2.0	831 B4.000	Petrol	1995	4	447	1128
11/84→12/87	THEMA 2.0	834 C.000	Petrol	1995	4	462	1140
11/84→09/88	THEMA 2.0	834 B.000	Petrol	1995	4	454	1134
03/86→09/88	THEMA 2.0	834 B.048	Petrol	1995	4	456	1135
07/86→05/90	THEMA 2.0	834 C.146	Petrol	1995	4	463	1140
09/87→05/92	THEMA 2.0	834 B.146	Petrol	1995	4	458	1135
05/88→08/92	THEMA 2.0	834 B2.000	Petrol	1995	4	460	1138
09/88→05/92	THEMA 2.0	834 B1.000	Petrol	1995	4	459	1135
12/88→06/90	THEMA 2.0	834 C1.000	Petrol	1995	4	465	1126
02/89→05/92	THEMA 2.0	834 B2.246	Petrol	1995	4	461	1139
04/89→05/92	THEMA 2.0	834 C1.246	Petrol	1995	4	466	1124
08/92→12/93	THEMA 2.0	834 F1.000	Petrol	1995	4	467	1121
10/92→07/94	THEMA 2.0	834 F2.000	Petrol	1995	4	468	1126
11/84→09/88	THEMA 2.4	8144.91	Diesel	2445	4	633	1271
05/88→07/92	THEMA 2.5	8144.97S	Diesel	2500	4	681	1319
06/88→05/92	THEMA 2.5	8144.97	Diesel	2499	4	667	1308
05/92→07/94	THEMA 2.5	8144.97 Y	Diesel	2500	4	683	1319
11/84→09/88	THEMA 2.8	834 E.000	Petrol	2849	6		1244
06/88→05/92	THEMA 2.8	834 E.146	Petrol	2849	V6		1244
08/92→07/94	THEMA 3.0	834 F.000	Petrol	2959	V6	685	1322
12/88→06/90	THEMA SW 2.0	834 C1.000	Petrol	1995	4	465	1126
01/89→03/92	THEMA SW 2.0	834 C.146	Petrol	1995	4	463	1140
02/89→05/92	THEMA SW 2.0	834 B2.246	Petrol	1995	4	461	1139
04/89→03/93	THEMA SW 2.0	834 C1.246	Petrol	1995	4	466	1124
05/89→08/92	THEMA SW 2.0	834 B2.000	Petrol	1995	4	460	1138
05/92→07/94	THEMA SW 2.0	834 F1.000	Petrol	1995	4	467	1121
11/92→07/94	THEMA SW 2.0	834 F2.000	Petrol	1995	4	468	1126
03/87→09/90	THEMA SW 2.4	8144.91	Diesel	2445	4	633	1271
05/88→07/92	THEMA SW 2.5	8144.97S	Diesel	2500	4	681	1319
06/88→05/92	THEMA SW 2.5	8144.97	Diesel	2499	4	667	1308
09/92→07/94	THEMA SW 2.5	8144.97 Y	Diesel	2500	4	683	1319
09/92→07/94	THEMA SW 3.0	834 F.000	Petrol	2959	V6	685	1322
07/02→07/09	THESES 2.0	841 E.000	Petrol	1998	5	268	971
07/02→07/09	THESES 2.4	841 C.000	Diesel	2387	5	276	977
07/02→07/09	THESES 2.4	841 D.000	Petrol	2446	5	357	1043
05/03→07/09	THESES 2.4	841 G.000	Diesel	2387	5	279	979
09/03→07/09	THESES 2.4	841 M.000	Diesel	2387	5	283	982
09/03→07/09	THESES 2.4	841 N.000	Diesel	2387	5	283	983
04/06→07/09	THESES 2.4	841 P.000	Diesel	2387	5	284	985
07/02→07/09	THESES 3.0	841 A.000	Petrol	2959	V6	687	1324
05/80→01/87	TREVI 1.6	828 B.000	Petrol	1585	V4	385	1068
05/80→01/87	TREVI 2.0	828 B4.000	Petrol	1995	4	445	1127



ccm







X









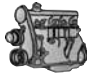





9









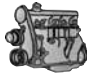





08/83→05/85	TREVI 2.0	828 B7.000	Petrol	1995	4	446	1078
11/95→09/03	Y 1.1	176 B2.000	Petrol	1108	4	39	787
03/96→09/03	Y 1.2	188 A4.000	Petrol	1242	4	59	808
03/96→09/03	Y 1.2	840 A3.000	Petrol	1242	4	64	798
04/97→09/03	Y 1.2	176 B9.000	Petrol	1242	4	51	802
10/00→09/03	Y 1.2	188 A5.000	Petrol	1242	4	61	811
03/96→09/03	Y 1.4	840 A4.000	Petrol	1370	4	186	923
10/96→09/03	Y 1.4	840 A2.000	Petrol	1370	4	186	923
03/85→02/89	Y10 1.0	156 A1.000	Petrol	1049	4	91	841
03/85→07/89	Y10 1.0	156 A.000	Petrol	1049	4	99	848
03/85→02/90	Y10 1.0	156 A2.000	Petrol	999	4	35	793
06/85→06/91	Y10 1.0	156 A2.100	Petrol	999	4	35	795
10/87→02/92	Y10 1.0	156 A2.246	Petrol	999	4	35	785
07/89→12/95	Y10 1.1	156 C.046	Petrol	1108	4	35	785
08/89→06/92	Y10 1.1	156 C.000	Petrol	1108	4	35	785
01/95→12/95	Y10 1.1	176 B2.000	Petrol	1108	4	39	787
11/87→12/95	Y10 1.3	156 B.000	Petrol	1301	4	101	849
02/89→12/95	Y10 1.3	146 A 5.046	Petrol	1297	4	93	841
05/11→	YPSILON 0.9	312 A2.000	Petrol	875	2		922
10/03→12/11	YPSILON 1.2	188 A4.000	Petrol	1242	4	59	808
10/03→12/11	YPSILON 1.2	188 A5.000	Petrol	1242	4	61	811
08/10→	YPSILON 1.2	169 A4.000	Petrol	1242	4	46	797
10/03→12/11	YPSILON 1.3	188 A9.000	Diesel	1248	4	22	776
09/06→12/11	YPSILON 1.3	199 A2.000	Diesel	1248	4	26	777
09/06→12/11	YPSILON 1.3	199 A3.000	Diesel	1248	4	29	778
05/11→	YPSILON 1.3	199 B1.000	Diesel	1248	4	30	781
10/03→12/11	YPSILON 1.4	843 A 1.000	Petrol	1368	4	77	813
02/06→12/11	YPSILON 1.4	350 A1.000	Petrol	1368	4	76	825
05/95→09/02	ZETA 2.0	RGX (XU10J2TE)	Petrol	1998	4	515	1180
05/98→07/00	ZETA 2.0	RFV (XU10J4R)	Petrol	1998	4	511	1177
09/99→09/02	ZETA 2.0	RHW (DW10ATED4)	Diesel	1997	4	496	1164
04/00→09/02	ZETA 2.0	RHZ (DW10ATED)	Diesel	1997	4	498	1159
07/00→09/02	ZETA 2.0	RFN	Petrol	1997	4	487	1157
05/96→09/99	ZETA 2.1	P 8 C	Diesel	2088	4	500	1166







		ccm					9
100 G.000	65.00	843	4	Petrol	4		751
100 G.002	65.00	843	4	Petrol	4		752
100 GB.000	65.00	843	4	Petrol	4		753
100 GBC.000	65.00	903	4	Petrol	7		757
100 GBC.040	65.00	903	4	Petrol	7		757
100 GBS.000	65.00	903	4	Petrol	7		754
100 GC.000	65.00	843	4	Petrol	4		752
100 GF.000	65.00	903	4	Petrol	8		758
100 GL.000	65.00	903	4	Petrol	8		758
100 GL.040	65.00	903	4	Petrol			759
100 GL.048	65.00	903	4	Petrol	9		751
100 GL.064	65.00	903	4	Petrol			754
100 GL3.000	65.00	903	4	Petrol	10		760
100 GL6.000	65.00	843	4	Petrol			754
110 D.000	67.40	499	2	Petrol			771
110 F.000	67.40	499	2	Petrol	21		772
116 (33)	84.00	1962	4	Petrol			1096
1170 A1.000	65.00	899	4	Petrol	5		755
1170 A1.046	65.00	899	4	Petrol	6		756
120.000	67.40	499	2	Petrol	21		772
124 AC.000	80.00	1438	4	Petrol	143		887
124 B2.000	80.00	1438	4	Petrol	144		888
124 B3.000	84.00	1585	4	Petrol	371		1055
124 BL 1.016	80.00	1438	4	Petrol			870
124 BL.016	73.00	1197	4	Petrol			830
125 A.000	80.00	1608	4	Petrol	150		897
125 B.000	80.00	1608	4	Petrol	151		897
126 A.000	73.50	594	2	Petrol	83		831
126 A1.000	77.00	652	2	Petrol	102		850
126 A1.048	77.00	652	2	Petrol	102		850
126 A2.000	80.00	704	2	Petrol	164		904
126 A2.048	80.00	704	2	Petrol	164		904
126 AB.0C.0	73.50	594	2	Petrol			832
126 AB.5C.0	73.50	594	2	Petrol			832
127 A.000	76.00	1049	4	Petrol	88		839
127 A1.000	76.00	1049	4	Petrol	89		840
127 A3.000	76.00	1301	4	Petrol	100		844
127 A5.000	76.00	1302	4	Diesel	95		846
127 A6.000	76.00	1049	4	Petrol	90		840
128 A 064	80.00	1116	4	Petrol			870
128 A.000	80.00	1116	4	Petrol	118		871
128 A.048	80.00	1116	4	Petrol	119		871
128 A1.000	86.00	1290	4	Petrol	506		1172
128 A3.000	86.40	1301	4	Petrol			1183
128 A5.000	86.40	1499	4	Petrol			1190
128 AC.000	86.00	1290	4	Petrol	506		1172
128 AC5.000	80.00	1116	4	Petrol	120		872
128 AR.000	86.00	1290	4	Petrol			1173
128 AS.000	86.00	1290	4	Petrol	507		1173
128 BB.0A0	80.00	1116	4	Petrol			870
131 A.000	76.00	1297	4	Petrol			842
131 A1.000	84.00	1585	4	Petrol	372		1056
131 A6.000	76.00	1297	4	Petrol	92		843
131 AB.1A.0	84.00	1585	4	Petrol			1057
131 AZ.000	80.00	1440	4	Petrol			890
131 B.000	76.00	1297	4	Petrol			843
131 B1.000	84.00	1585	4	Petrol	373		1058
131 B2.000	84.00	1995	4	Petrol	427		1109
131 BZ 0C0	80.00	1440	4	Petrol			890
131 C.000	78.00	1367	4	Petrol	104		852
131 C1.000	78.00	1367	4	Petrol	105		852
131 C2.000	84.00	1585	4	Petrol	374		1059
131 C3.000	84.00	1585	4	Petrol	375		1060
131 C4.000	84.00	1995	4	Petrol	428		1110
131 FZ	80.00	1440	4	Petrol			890
132 A.000	80.00	1592	4	Petrol	146		891
132 A.9000	80.00	1592	4	Petrol	147		892
132 A1.000	84.00	1756	4	Petrol			1075
132 AB.000	84.00	1756	4	Petrol			1075
132 AB.0A.0	80.00	1592	4	Petrol			894
132 AB.1A.0	84.00	1756	4	Petrol			1075
132 AC.000	80.00	1592	4	Petrol	148		895
132 AC1.000	84.00	1756	4	Petrol	394		1076
132 AZ2.000	84.00	1995	4	Petrol	429		1061
132 B.000	84.00	1756	4	Petrol	395		1077
132 B1.000	84.00	1756	4	Petrol			1078
132 B1.000	84.00	1756	4	Petrol	396		1079
132 B2.000	84.00	1995	4	Petrol			1111

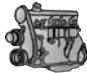






		ccm	X 			9	
132 BB 0A 0	80.00	1592	4	Petrol	149	896	
132 BB.1A 0	84.00	1756	4	Petrol		1075	
132 BB.1A 0	84.00	1756	4	Petrol		1078	
132 C.000	84.00	1585	4	Petrol	376	1058	
132 C1.000	84.00	1756	4	Petrol	397	1075	
132 C2.000	84.00	1995	4	Petrol	430	1112	
132 C2.031	84.00	1995	4	Petrol		1111	
132 C2.040	84.00	1995	4	Petrol		1111	
132 C3.000	84.00	1995	4	Petrol	431	1112	
132 C3.031	84.00	1995	4	Petrol	432	1113	
132 C3.040	84.00	1995	4	Petrol		1111	
132 C6.000	84.00	1585	4	Petrol	377	1061	
132 CB.0A.0	84.00	1585	4	Petrol		1061	
132 CB.1A	84.00	1756	4	Petrol		1075	
132 D.000	84.00	1585	4	Petrol	378	1058	
132 D1.000	84.00	1995	4	Petrol	430	1112	
132 DB.2A.0	84.00	1995	4	Petrol		1111	
132A.B.000-828	80.00	1592	4	Petrol		893	
134 A5.000	84.00	1995	4	Petrol	377	1078	
138 A.000	86.40	1302	4	Petrol	525	1183	
138 A1.000	86.40	1301	4	Petrol	519	1184	
138 A2.000	86.40	1498	4	Petrol	527	1191	
138 A3.000	86.40	1301	4	Petrol	520	1184	
138 A4.000	86.40	1498	4	Petrol	528	1191	
138 A5.000	83.00	1714	4	Diesel	327	1016	
138 AE 0A.0	80.00	1116	4	Petrol		870	
138 AR.000	84.00	1585	4	Petrol	379	1058	
138 AR.048	84.00	1585	4	Petrol		1062	
138 AR1.000	84.00	1995	4	Petrol	433	1111	
138 AR2.000	84.00	1995	4	Petrol	433	1111	
138 AS.000	86.40	1499	4	Petrol	537	1192	
138 B.000	80.00	1116	4	Petrol	121	871	
138 B1.000	80.00	1116	4	Petrol	122	873	
138 B2.000	86.40	1302	4	Petrol	526	1188	
138 B3.000	86.40	1498	4	Petrol	529	1191	
138 B3.048	86.40	1498	4	Petrol	530	1193	
138 B5.000	83.00	1714	4	Diesel		1017	
138 B6.000	83.00	1714	4	Diesel	328	1018	
138 BS.031	86.40	1499	4	Petrol		1190	
138 C.000	82.60	1698	4	Diesel	298	993	
138 C.048	86.40	1498	4	Petrol		1190	
138 C1.000	80.00	1116	4	Petrol	123	873	
138 C2.048	86.40	1498	4	Petrol	531	1190	
138 C2.048	86.40	1499	4	Petrol	538	1196	
138 C3.048	86.40	1498	4	Petrol	532	1194	
141 A.000	77.00	652	2	Petrol	103	851	
141 A4.000	65.00	769	4	Petrol		748	
141 A4.048	65.00	770	4	Petrol		748	
141 B.000	65.00	769	4	Petrol	1	749	
141 C2.000	70.00	999	4	Petrol	41	790	
146 A 5.046	76.00	1297	4	Petrol	93	841	
146 A.000	65.00	903	4	Petrol	11	761	
146 A.048	65.00	903	4	Petrol	12	751	
146 A1.000	65.00	903	4	Petrol	13	762	
146 A2.000	80.50	1301	4	Petrol	166	907	
146 A2.146	80.50	1301	4	Petrol	167	908	
146 A2.166	76.00	994	4	Petrol	97	847	
146 A2.246	80.50	1301	4	Petrol	167	907	
146 A4.000	80.00	1116	4	Petrol		870	
146 A4.044	80.00	1116	4	Petrol	124	873	
146 A4.048	80.00	1116	4	Petrol	125	873	
146 A5.000	86.40	1301	4	Petrol	521	1185	
146 A6.000	80.00	1116	4	Petrol	126	874	
146 A8.000	80.50	1372	4	Petrol	168	909	
146 A8.046	80.50	1372	4	Petrol	169	909	
146 A9.000	80.00	1116	4	Petrol	127	875	
146 B.000	78.00	1367	4	Diesel	106	853	
146 B1.000	76.00	1301	4	Diesel	94	845	
146 B2.000	82.60	1698	4	Diesel	299	994	
146 B3.000	78.00	1367	4	Diesel	106	853	
146 B4.000	70.00	999	4	Petrol	42	791	
146 C1.000	80.50	1372	4	Petrol	170	910	
146 C3.000	80.00	1116	4	Petrol	128	876	
146 C5.000	80.50	1372	4	Petrol	171	910	
146 C6.000	86.40	1581	4	Petrol	540	1198	
146 D5.000	80.50	1372	4	Petrol	171	910	
146 D6.000	86.40	1581	4	Petrol	540	1198	
146 D7.000	82.60	1698	4	Diesel	300	996	







		ccm	X 			9	
146 E1.011	70.00	999	4	Petrol	34		792
149 A.000	84.00	1585	4	Petrol			1063
149 A1.000	82.60	1929	4	Diesel	306		1001
149 A2.000	84.00	1585	4	Petrol	380		1064
149 A3.000	86.40	1301	4	Petrol	522		1186
149 A4.000	84.00	1585	4	Petrol	381		1065
149 A5.000	86.40	1498	4	Petrol	533		1194
149 A5.046	86.40	1498	4	Petrol			1190
149 A7.000	86.40	1302	4	Petrol	526		1188
149 A7.003	86.40	1301	4	Petrol			1183
149 A7.046	86.40	1302	4	Petrol			1189
149 B1.000	82.60	1929	4	Diesel	307		1001
149 B2.000	82.60	1697	4	Diesel	295		995
149 B3.000	82.60	1698	4	Diesel	301		994
149 B4.000	82.60	1697	4	Diesel	296		994
149 B4.046	82.60	1697	4	Diesel	297		993
149 B5.046	82.60	1929	4	Diesel	308		1002
149 C1.000	86.40	1499	4	Petrol	539		1197
149 C2.000	84.00	1585	4	Petrol	382		1066
149 C2.000	84.00	1595	4	Petrol			1063
149 C2.046	84.00	1595	4	Petrol	392		1063
149 C3.000	84.00	1585	4	Petrol	383		1063
154 A.048	84.00	1585	4	Petrol	384		1067
154 A1.000	84.00	1995	4	Petrol	434		1114
154 A2.000	84.00	1995	4	Petrol	435		1115
154 B.000	82.60	1929	4	Diesel	309		1003
154 C3.000	84.00	1995	4	Petrol	436		1116
154 C3.046	84.00	1995	4	Petrol	437		1117
154 C4.000	84.00	1995	4	Petrol			1118
154 C4.046	84.00	1995	4	Petrol	438		1119
154 C5.000	84.00	1995	4	Petrol			1120
154 C6.000	82.60	1929	4	Diesel	310		1004
154 D1.000	82.60	1929	4	Diesel	310		1005
154 E1.000	84.00	1995	4	Petrol	439		1121
156 A.000	76.10	1049	4	Petrol	98		848
156 A.000	76.10	1049	4	Petrol	99		848
156 A1.000	76.00	1049	4	Petrol	91		841
156 A2.000	70.00	999	4	Petrol	35		793
156 A2.000	70.00	999	4	Petrol	43		793
156 A2.0157	70.00	999	4	Petrol			794
156 A2.048	70.00	999	4	Petrol	36		790
156 A2.048	70.00	999	4	Petrol	44		790
156 A2.050	70.00	999	4	Petrol			794
156 A2.100	70.00	999	4	Petrol	35		795
156 A2.100	70.00	999	4	Petrol	36		793
156 A2.146	70.00	999	4	Petrol	44		790
156 A2.246	70.00	999	4	Petrol	35		785
156 A2.246	70.00	999	4	Petrol	36		785
156 A2.256	70.00	999	4	Petrol			791
156 A3.000	70.00	999	4	Petrol	37		793
156 A3.100	70.00	999	4	Petrol	36		790
156 A4.000	65.00	770	4	Petrol	2		750
156 A4.048	65.00	770	4	Petrol	3		750
156 A5.000	76.00	1302	4	Diesel	96		845
156 B.000	76.10	1301	4	Petrol	101		849
156 C.000	70.00	1108	4	Petrol	35		785
156 C.046	70.00	1108	4	Petrol	35		785
156 C.046	70.00	1108	4	Petrol	37		785
159 A2.000	80.50	1372	4	Petrol	172		911
159 A3.000	86.40	1581	4	Petrol	541		1199
159 A3.046	86.40	1581	4	Petrol	542		1199
159 A3.048	86.40	1581	4	Petrol	543		1200
159 A4.000	84.00	1756	4	Petrol	398		1080
159 A4.046	84.00	1756	4	Petrol	399		1080
159 A5.046	84.00	1995	4	Petrol	440		1122
159 A6.046	84.00	1995	4	Petrol	441		1123
159 B9.000	86.40	1581	4	Petrol	544		1201
159 B9.000	86.40	1581	4	Petrol	545		1202
160 A1.000	80.50	1372	4	Petrol	172		911
160 A1.046	80.50	1372	4	Petrol	173		912
160 A1.046	80.50	1372	4	Petrol	173		913
160 A1.048	80.50	1372	4	Petrol	174		912
160 A2.000	86.40	1581	4	Petrol	546		1203
160 A3.000	70.00	1108	4	Petrol	37		786
160 A5.000	84.00	1756	4	Petrol	400		1081
160 A6.000	82.60	1929	4	Diesel	311		1006
160 A6.046	82.60	1929	4	Diesel	312		1006
160 A7.000	82.60	1929	4	Diesel	313		1001







		ccm	X				9	
160 A8.046	84.00	1995	4	Petrol	442	1124		
160 B6.046	82.60	1929	4	Diesel	314	1006		
160 D1.000	82.60	1929	4	Diesel	315	1006		
160 D1.000	82.60	1929	4	Diesel	316	1007		
160 D100	82.60	1929	4	Diesel	317	1008		
169 A1.000	69.60	1248	4	Diesel	22	773		
169 A3.000	72.00	1368	4	Petrol	65	813		
169 A4.000	70.80	1242	4	Petrol	45	797		
169 A4.000	70.80	1242	4	Petrol	46	797		
169 A5.000	69.60	1248	4	Diesel	23	774		
169 A5.000	69.60	1248	4	Diesel	24	775		
169 B	84.00	1796	4	Petrol	413	1094		
170 A.000	80.00	704	2	Petrol	165	905		
170 A.046	80.00	704	2	Petrol	165	906		
170 A1.000	65.00	903	4	Petrol	14	763		
170 A1.046	65.00	903	4	Petrol	15	763		
170 B	88.00	1971	4	Petrol	574	1224		
170 D	88.00	1971	4	Petrol	575	1224		
175 A1.000	84.00	1995	4	Petrol	443	1125		
175 A3.000	82.00	1998	5	Petrol	258	965		
175 A3.000	82.00	1998	5	Petrol	259	965		
175 A4.000	84.00	1995	4	Petrol	444	1126		
176 A3.000	82.60	1698	4	Diesel	302	997		
176 A4.000	80.50	1372	4	Petrol	175	914		
176 A5.000	82.60	1698	4	Diesel	303	998		
176 A6.000	70.00	1108	4	Petrol	36	787		
176 A7.000	70.80	1242	4	Petrol	47	798		
176 A8.000	70.80	1242	4	Petrol	48	799		
176 A9.000	86.40	1581	4	Petrol	547	1204		
176 B1.000	70.80	1242	4	Petrol	49	800		
176 B2.000	70.00	1108	4	Petrol	38	787		
176 B2.000	70.00	1108	4	Petrol	39	787		
176 B3.000	82.60	1698	4	Diesel	304	994		
176 B4.000	70.80	1242	4	Petrol	50	799		
176 B6.000	80.50	1372	4	Petrol	175	914		
176 B7.000	82.60	1698	4	Diesel	302	998		
176 B9.000	70.80	1242	4	Petrol	51	802		
176 B9.000	70.80	1242	4	Petrol	52	801		
178 B2.000	80.50	1372	4	Petrol	176	910		
178 B2.016	80.50	1372	4	Petrol	177	910		
178 B3.000	86.40	1581	4	Petrol	548	1205		
178 B5.000	70.80	1242	4	Petrol	53	803		
178 B7.045	70.80	1242	4	Petrol	54	804		
178 B9.033	70.00	1108	4	Petrol	34	788		
178 C4.066	70.80	1242	4	Petrol	55	804		
178 C7.098	86.40	1581	4	Petrol	549	1206		
178 C9.066	82.60	1698	4	Diesel		999		
178 D2.011	86.40	1581	4	Petrol	550	1207		
178 D9.011	70.00	999	4	Petrol	34			
178 E2.000	70.80	1242	4	Petrol	56	805		
178 E5.022	75.40	1461	4	Petrol	87			
178 E7.000	80.50	1596	4	Petrol	179			
178 E8.011	70.80	1242	4	Petrol		806		
178 E9.011	70.80	1242	4	Petrol		806		
178 F3.011	72.00	1368	4	Petrol		814		
182 A1.000	82.00	1998	5	Petrol	260	966		
182 A2.000	82.00	1747	4	Petrol	194	929		
182 A2.000	82.00	1747	4	Petrol	195	929		
182 A3.000	82.00	1370	4	Petrol	184	923		
182 A4.000	86.40	1581	4	Petrol	551	1208		
182 A4.000	86.40	1581	4	Petrol	552	1209		
182 A5.000	82.00	1370	4	Petrol	185	923		
182 A6.000	86.40	1581	4	Petrol	552	1209		
182 A6.000	86.40	1581	4	Petrol	553	1210		
182 A7.000	82.00	1910	4	Diesel	208	936		
182 A8.000	82.00	1910	4	Diesel	209	936		
182 B2.000	70.80	1242	4	Petrol	57	807		
182 B3.000	82.00	1998	5	Petrol	261	967		
182 B4.000	82.00	1910	4	Diesel	210	937		
182 B5.098	86.40	1581	4	Petrol	554	1206		
182 B6.000	80.50	1596	4	Petrol	180	916		
182 B6.000	80.50	1596	4	Petrol	181	916		
182 B7.000	82.00	1998	5	Petrol	262	968		
182 B7.000	82.00	1998	5	Petrol	263	966		
182 B9.000 Euro 3 (D3)	82.00	1910	4	Diesel	211	939		
182 B9.000 Euro 3 (D3)	82.00	1910	4	Diesel	212	938		
183 A1.000	82.00	1747	4	Petrol	196	930		
183 A1.000	82.00	1747	4	Petrol	197	929		







		ccm	X 			9	
185 A2.000	82.00	2387	5	Diesel	269	972	
185 A3.000 Euro 3 (D3)	86.40	1581	4	Petrol	555	1208	
185 A4.011	82.00	1998	5	Petrol		969	
185 A6.000	82.00	2387	5	Diesel	270	973	
185 A7.011	83.00	2446	5	Petrol		1043	
185 A8.000	82.00	1998	5	Petrol	264	970	
185 A8.000 Euro 3 (D3)	82.00	1998	5	Petrol	265	970	
185 B4.000	82.00	1910	4	Diesel		940	
186 A3.000	86.40	1581	4	LPG	556	1211	
186 A4.000	86.40	1581	4	Petrol	557	1212	
186 A6.000	82.00	1910	4	Diesel	213	941	
186 A8.000	82.00	1910	4	Diesel	214	939	
186 A9.000	82.00	1910	4	Diesel	215	942	
187 A1.000	70.00	1108	4	Petrol	40	789	
188 A2.000	82.00	1910	4	Diesel	216	941	
188 A3.000	82.00	1910	4	Diesel	217	943	
188 A4.000	70.80	1242	4	Petrol	58	809	
188 A4.000	70.80	1242	4	Petrol	59	808	
188 A5.000	70.80	1242	4	Petrol	60	810	
188 A5.000 Euro 3 (D3)	70.80	1242	4	Petrol	61	811	
188 A6.000	82.00	1747	4	Petrol	198	931	
188 A7.000	82.00	1910	4	Diesel	218	941	
188 A8.000	69.60	1248	4	Diesel	25	776	
188 A9.000	69.60	1248	4	Diesel	22	776	
188 B2.000	82.00	1910	4	Diesel	219	944	
188 B2.000	82.00	1910	4	Diesel	220	942	
192 A1.000	82.00	1910	4	Diesel	221	945	
192 A2.000	83.00	2446	5	Petrol	354	1044	
192 A3.000	82.00	1910	4	Diesel	222	941	
192 A4.000	82.00	1747	4	Petrol	199	931	
192 A5.000	82.00	1910	4	Diesel	223	946	
192 A5.000 Euro 3 (D3)	82.00	1910	4	Diesel	224	946	
192 A7.011	83.00	2446	5	Petrol		1043	
192 A8.000	82.00	1910	4	Diesel	225	947	
192 A9.000	82.00	1910	4	Diesel	226	948	
192 B1.000	82.00	1910	4	Diesel	223	946	
192 B1.000	82.00	1910	4	Diesel	224	946	
192 B2.000	72.00	1368	4	Petrol	66	813	
192 B2.000	72.00	1368	4	Petrol	67	813	
192 B3.000	79.00	1598	4	Petrol	114	862	
192 B4.000	82.00	1910	4	Diesel	227	949	
192 B5.000	82.00	1910	4	Diesel	228	948	
194 A1.000	86.00	2198	4	Petrol	517	1174	
198 A1.000	72.00	1368	4	Petrol	68	815	
198 A1.000	72.00	1368	4	Petrol	68	816	
198 A1.000	72.00	1368	4	Petrol	69	815	
198 A2.000	79.50	1598	4	Diesel	116	864	
198 A3.000	79.50	1598	4	Diesel	116	865	
198 A4.000	72.00	1368	4	Petrol	68	815	
198 A4.000	72.00	1368	4	Petrol	69	815	
198 A4.000	72.00	1368	4	Petrol	70	816	
198 A5.000	83.00	1956	4	Diesel	340	1031	
198 A5.000	83.00	1956	4	Diesel	341	1030	
198 A6.000	79.50	1598	4	Diesel	117	866	
198 A7.000	72.00	1368	4	Petrol	68	815	
198 A7.000	72.00	1368	4	Petrol	68	816	
198 A8.000	83.00	1956	4	Diesel	341	1032	
198 A9.000	83.00	1956	4	Diesel		1033	
199 A1.000	72.00	1368	4	Petrol		817	
199 A1.000	72.00	1368	4	Petrol	71	817	
199 A2.000	69.60	1248	4	Diesel	22	777	
199 A2.000	69.60	1248	4	Diesel	26	777	
199 A3.000	69.60	1248	4	Diesel	27	779	
199 A3.000	69.60	1248	4	Diesel	28	778	
199 A3.000	69.60	1248	4	Diesel	29	778	
199 A4.000 Euro 4 (D4)	70.80	1242	4	Petrol	62	797	
199 A5.000	82.00	1910	4	Diesel	229	950	
199 A6.000	72.00	1368	4	Petrol	72	818	
199 A6.000	72.00	1368	4	Petrol	73	818	
199 A7.000	72.00	1368	4	Petrol	74	819	
199 A8.000	72.00	1368	4	Petrol	68	815	
199 A8.000	72.00	1368	4	Petrol	70	815	
199 A9.000 Euro 5	69.60	1248	4	Diesel	30	780	
199 B1.000 Euro 5	69.60	1248	4	Diesel	30	780	
199 B1.000 Euro 5	69.60	1248	4	Diesel	30	781	
199 B2.000 Euro 5	69.60	1248	4	Diesel	25	780	
199 B4.000 Euro 5	69.60	1248	4	Diesel	31	782	
199 B4.000 Euro5/Euro6	69.60	1248	4	Diesel	32	782	

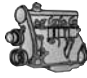





		ccm	X 			9 
199 B5.000 Euro 5	79.50	1598	4	Diesel	117	
199 B6.000 Euro 6	80.50	875	2	Petrol		920
213 H	95.00	4678	6	Diesel		1349
213.000	95.00	4678	6	Diesel		1349
220 A 2.000	86.40	1581	4	Petrol	558	1204
223 A3.011	70.80	1242	4	Petrol		812
223 A5.000	70.80	1242	4	Petrol	63	805
223 A6.000 Euro 3 (D3)	82.00	1910	4	Diesel	230	951
223 A7.000	82.00	1910	4	Diesel	231	942
223 A9.000	69.60	1248	4	Diesel	33	783
223 B1.000	82.00	1910	4	Diesel	232	938
223 B2.000	82.00	1910	4	Diesel	233	938
230 A.000	95.00	2693	4	Diesel		1349
230 A2.000	82.60	1929	4	Diesel	318	1009
230 A3.000	82.60	1929	4	Diesel	319	1010
230 A4.000 Euro 2	82.60	1929	4	Diesel	319	1010
250 A1.000 Euro 5	83.00	1956	4	Diesel	340	1032
263 A1.000 Euro 5	83.00	1956	4	Diesel	341	1032
263 A2.000	69.60	1248	4	Diesel	32	784
263 A3.000	79.50	1598	4	Diesel	116	866
263 A4.000	79.50	1598	4	Diesel	117	866
280 A1.000	82.60	1929	4	Diesel	320	1010
310 A1.011	70.00	999	4	Petrol		796
310 A2.011	72.00	1368	4	Petrol		820
312 A1.000	72.00	1368	4	Petrol	75	821
312 A2.000 Euro 5	80.50	875	2	Petrol		921
312 A2.000 Euro 5	80.50	875	2	Petrol		922
312 A3.000	72.00	1368	4	Petrol	68	822
323 B6.600	72.00	1368	4	Petrol		823
327 A.011	72.00	1368	4	Petrol		824
350 A1.000	72.00	1368	4	Petrol	76	825
350 A1.000 Euro4/Euro5	72.00	1368	4	Petrol	74	825
350 A1.000 Euro4/Euro5	72.00	1368	4	Petrol	76	825
350 A2.000	79.50	1598	4	Diesel	116	867
350 A2.000	79.50	1598	4	Diesel	117	867
350 A3.000	79.50	1598	4	Diesel	117	
350 A3.000	79.50	1598	4	Diesel	117	866
4.108	79.375	1760	4	Diesel	115	863
4HP	85.00	2179	4	Diesel	501	1153
4HR	85.00	2179	4	Diesel	501	1168
4HS Euro 4 (D4)	85.00	2179	4	Diesel	501	1168
4HT (DW12BTED4) Euro 4 (D4)	85.00	2179	4	Diesel	502	1168
4HT Euro 4 (D4)	85.00	2179	4	Diesel	503	1168
4HU Euro 4 (D4)	86.00	2198	4	Diesel		1181
4HV Euro 4 (D4)	86.00	2198	4	Diesel	516	1182
4HW (DW12ATED4)	85.00	2179	4	Diesel	505	1169
4HW(DW12ATED4)	85.00	2179	4	Diesel	504	1170
4HX (DW12TED4)	85.00	2179	4	Diesel		1171
605 D	82.00	1901	4	Diesel		935
6132 AZ 2.000	84.00	1995	4	Petrol	479	1148
8025.01	95.00	1559	2	Diesel	738	1346
803 A.062 (8030.01)	95.00	2339	3	Diesel	739	1346
8030.00	95.00	2340	3	Diesel	740	1348
8035.01	95.00	2338	3	Diesel		1347
8040.00	95.00	3120	4	Diesel	741	1350
804A (8040.01)	95.00	3119	4	Diesel	739	1346
806 A (8060.01/.11)	95.00	4678	6	Diesel		1346
8140 SC 27.02	93.00	2500	4	Diesel	678	1317
8140.07	93.00	2499	4	Diesel		1274
8140.07.2585 Euro 1	93.00	2500	4	Diesel	671	1310
8140.07.2700	93.00	2499	4	Diesel	635	1275
8140.07.2701	93.00	2499	4	Diesel	636	1276
8140.07.2710	93.00	2499	4	Diesel	613	1277
8140.07.2711	93.00	2499	4	Diesel	613	1277
8140.07.2712	93.00	2499	4	Diesel	637	1278
8140.07.2713	93.00	2499	4	Diesel		1277
8140.07.3700 Euro 1	93.00	2499	4	Diesel		1279
8140.07.3710 Euro 1	93.00	2499	4	Diesel	638	1280
8140.07.3711 Euro 1	93.00	2499	4	Diesel	613	1277
8140.07.3712 Euro 1	93.00	2499	4	Diesel	613	1277
8140.07.3713 Euro 1	93.00	2499	4	Diesel	613	1277
8140.21	93.00	2445	4	Diesel	613	1251
8140.21.200	93.00	2445	4	Diesel	614	1252
8140.21.200 D.I.	93.00	2445	4	Diesel	615	1253
8140.21.201	93.00	2445	4	Diesel	613	1254
8140.21.201-203	93.00	2445	4	Diesel		1251
8140.21.202	93.00	2445	4	Diesel	613	1254
8140.21.203	93.00	2445	4	Diesel	613	1254







		ccm					
8140.21.212	93.00	2445	4	Diesel		613	1254
8140.21.212, 8140.21.290	93.00	2445	4	Diesel		613	
8140.21.214	93.00	2445	4	Diesel		616	1255
8140.21.290	93.00	2445	4	Diesel		613	1254
8140.23.	94.40	2798	4	Diesel		710	1329
8140.23.2200	94.40	2800	4	Diesel			1330
8140.23.2585 Euro 2	94.40	2799	4	Diesel		711	1331
8140.23.3700 Euro 2	94.40	2798	4	Diesel		711	1331
8140.23.3701 Euro 2	94.40	2798	4	Diesel		712	1332
8140.23.3710 Euro 2	94.40	2798	4	Diesel		712	1332
8140.23.3711 Euro 2	94.40	2798	4	Diesel		712	1332
8140.23.3713 Euro 2	94.40	2798	4	Diesel		712	1332
8140.23.3720 Euro 2	94.40	2798	4	Diesel		712	1332
8140.23.3721 Euro 2	94.40	2798	4	Diesel		712	1332
8140.23.3730 Euro 2	94.40	2798	4	Diesel		712	1332
8140.23.3731 Euro 2	94.40	2798	4	Diesel		712	1332
8140.23.3750 Euro 2	94.40	2798	4	Diesel		712	1332
8140.23.3751 Euro 2	94.40	2798	4	Diesel		712	1332
8140.23.3760 Euro 2	94.40	2798	4	Diesel		713	1332
8140.23.3801 Euro 2	94.40	2798	4	Diesel		714	1332
8140.23.3811 Euro 2	94.40	2798	4	Diesel		714	1332
8140.23.3821 Euro 2	94.40	2798	4	Diesel		714	1332
8140.27	93.00	2500	4	Diesel		672	1311
8140.27 S	93.00	2445	4	Diesel		617	1258
8140.27.210, 8140.27.213	93.00	2445	4	Diesel		613	1256
8140.27.2100	93.00	2500	4	Diesel		673	1312
8140.27.215	93.00	2499	4	Diesel		639	1277
8140.27.218	93.00	2445	4	Diesel		613	1257
8140.27.218	93.00	2499	4	Diesel		639	1281
8140.27.2582	93.00	2499	4	Diesel		640	1282
8140.27.2700	93.00	2499	4	Diesel		641	1283
8140.27.2720	93.00	2499	4	Diesel		641	1284
8140.27.2811	93.00	2499	4	Diesel		642	1285
8140.27R.2700	93.00	2499	4	Diesel		643	1286
8140.27R.2700, 8140.27S.2700, 8140.27.2700, 8140.27R, 8140.27S	93.00	2499	4	Diesel		644	1257
8140.27R.2780	93.00	2499	4	Diesel			1277
8140.27R.2782	93.00	2499	4	Diesel		645	1287
8140.27R.2786	93.00	2499	4	Diesel		646	1277
8140.27R.2787	93.00	2499	4	Diesel			1277
8140.27S.2700	93.00	2499	4	Diesel		647	1288
8140.27S.2701	93.00	2499	4	Diesel		639	1277
8140.27S.2710	93.00	2499	4	Diesel		639	1277
8140.27S.2711	93.00	2499	4	Diesel		639	1277
8140.27S.2720	93.00	2499	4	Diesel		639	1277
8140.27S.2721	93.00	2499	4	Diesel		639	1277
8140.27S.2730	93.00	2499	4	Diesel		639	1277
8140.27S.2731	93.00	2499	4	Diesel		639	1277
8140.27S.2750	93.00	2499	4	Diesel		639	1277
8140.27S.2751	93.00	2499	4	Diesel			1277
8140.27S.2760	93.00	2499	4	Diesel		648	1277
8140.27S.2761	93.00	2499	4	Diesel		649	1277
8140.27S.2770	93.00	2499	4	Diesel		639	1277
8140.27S.2771	93.00	2499	4	Diesel		639	1277
8140.27S.2801	93.00	2499	4	Diesel		650	1289
8140.27S.2811	93.00	2499	4	Diesel		639	1277
8140.27S.2811, 8140.27S.3811	93.00	2499	4	Diesel		613	
8140.27S.2885	93.00	2499	4	Diesel		651	1286
8140.27S.3700	93.00	2499	4	Diesel			1277
8140.27S.3700 Euro 1	93.00	2499	4	Diesel			1290
8140.27S.3701	93.00	2499	4	Diesel		639	1277
8140.27S.3711	93.00	2499	4	Diesel		639	1277
8140.27S.3720	93.00	2499	4	Diesel		639	1277
8140.27S.3721	93.00	2499	4	Diesel		639	1277
8140.27S.3750	93.00	2499	4	Diesel		639	1277
8140.27S.3751	93.00	2499	4	Diesel		639	1277
8140.27S.3760	93.00	2499	4	Diesel		639	1277
8140.27S.3761	93.00	2499	4	Diesel		639	1277
8140.27S.3770	93.00	2499	4	Diesel		648	1277
8140.27S.3771	93.00	2499	4	Diesel		639	1277
8140.27S.3780	93.00	2499	4	Diesel		639	1277
8140.27S.3781	93.00	2499	4	Diesel			1277
8140.27S.3811	93.00	2499	4	Diesel		649	1277
8140.43	94.40	2800	4	Diesel		736	1344
8140.43. Euro 2	94.40	2798	4	Diesel		717	1333
8140.43.2585 Euro 2	94.40	2798	4	Diesel		715	1329
8140.43.3700 Euro 2	94.40	2798	4	Diesel		715	1329
8140.43.3711 Euro 2	94.40	2798	4	Diesel			1332

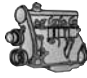





		ccm	X 			9	
8140.43.3713 Euro 2	94.40	2798	4	Diesel			1332
8140.43.3718 Euro 2	94.40	2798	4	Diesel			1332
8140.43.3721 Euro 2	94.40	2798	4	Diesel			1332
8140.43.3723 Euro 2	94.40	2798	4	Diesel			1332
8140.43.3728 Euro 2	94.40	2798	4	Diesel	716		1332
8140.43.3731 Euro 2	94.40	2798	4	Diesel			1332
8140.43.3900 Euro 2	94.40	2798	4	Diesel	715		1329
8140.43.3911 Euro 2	94.40	2798	4	Diesel			1332
8140.43.3921 Euro 2	94.40	2798	4	Diesel			1332
8140.43.3931 Euro 2	94.40	2798	4	Diesel			1332
8140.43.K	94.40	2798	4	Diesel			1332
8140.43B Euro 3 (D3)	94.40	2798	4	Diesel	720		1335
8140.43B.4300 Euro 3 (D3)	94.40	2798	4	Diesel	718		1334
8140.43B.4305 Euro 3 (D3)	94.40	2798	4	Diesel	718		1334
8140.43B.4320 Euro 3 (D3)	94.40	2798	4	Diesel	719		1334
8140.43B.4325 Euro 3 (D3)	94.40	2798	4	Diesel	718		1334
8140.43B.4330 Euro 3 (D3)	94.40	2798	4	Diesel	718		1334
8140.43B.4335 Euro 3 (D3)	94.40	2798	4	Diesel	718		1334
8140.43C Euro 2	94.40	2798	4	Diesel	724		1336
8140.43C.4000 Euro 3 (D3)	94.40	2798	4	Diesel	718		1332
8140.43C.4005 Euro 3 (D3)	94.40	2798	4	Diesel	718		1332
8140.43C.4020 Euro 3 (D3)	94.40	2798	4	Diesel	721		1332
8140.43C.4021 Euro 3 (D3)	94.40	2798	4	Diesel	721		1332
8140.43C.4025 Euro 3 (D3)	94.40	2798	4	Diesel	718		1332
8140.43C.4026 Euro 3 (D3)	94.40	2798	4	Diesel	718		1332
8140.43C.4030 Euro 3 (D3)	94.40	2798	4	Diesel	722		1332
8140.43C.4031 Euro 3 (D3)	94.40	2798	4	Diesel	722		1332
8140.43C.4035 Euro 3 (D3)	94.40	2798	4	Diesel	723		1332
8140.43C.4036 Euro 3 (D3)	94.40	2798	4	Diesel	719		1332
8140.43K.4000 Euro 3 (D3)	94.40	2798	4	Diesel	725		1337
8140.43K.4020 Euro 3 (D3)	94.40	2798	4	Diesel	718		1332
8140.43K.4030 Euro 3 (D3)	94.40	2798	4	Diesel			1332
8140.43N Euro 3 (D3)	94.40	2798	4	Diesel	726		1340
8140.43N Euro 3 (D3)	94.40	2798	4	Diesel	727		1339
8140.43N.4300 Euro 3 (D3)	94.40	2798	4	Diesel	712		1338
8140.43N.4320 Euro 3 (D3)	94.40	2798	4	Diesel	712		1338
8140.43N.4330 Euro 3 (D3)	94.40	2798	4	Diesel	712		1338
8140.43N.4400 Euro 3 (D3)	94.40	2798	4	Diesel	712		1338
8140.43N.4430 Euro 3 (D3)	94.40	2798	4	Diesel	712		1338
8140.43P Euro 3 (D3)	94.40	2798	4	Diesel	728		1330
8140.43R Euro 3 (D3)	94.40	2798	4	Diesel	730		1341
8140.43R.4300 Euro 3 (D3)	94.40	2798	4	Diesel	712		1332
8140.43R.4320 Euro 3 (D3)	94.40	2798	4	Diesel	712		1332
8140.43R.4330 Euro 3 (D3)	94.40	2798	4	Diesel	712		1332
8140.43R.4400 Euro 3 (D3)	94.40	2798	4	Diesel	712		1332
8140.43R.4420 Euro 3 (D3)	94.40	2798	4	Diesel	712		1332
8140.43R.4430 Euro 3 (D3)	94.40	2798	4	Diesel	729		1332
8140.43S	94.40	2798	4	Diesel	731		1342
8140.43S Euro 3 (D3)	94.40	2798	4	Diesel	732		1339
8140.43S.4000 Euro 3 (D3)	94.40	2798	4	Diesel	712		1338
8140.43S.4020 Euro 3 (D3)	94.40	2798	4	Diesel	712		1338
8140.43S.4030 Euro 3 (D3)	94.40	2798	4	Diesel	712		1338
8140.43S.4140 Euro 3 (D3)	94.40	2798	4	Diesel	712		1338
8140.43S.4300 Euro 3 (D3)	94.40	2798	4	Diesel	712		1338
8140.43S.4320 Euro 3 (D3)	94.40	2798	4	Diesel	712		1338
8140.43S.4330 Euro 3 (D3)	94.40	2798	4	Diesel	712		1338
8140.43S.4400 Euro 3 (D3)	94.40	2798	4	Diesel	712		1338
8140.43S.4420 Euro 3 (D3)	94.40	2798	4	Diesel	712		1338
8140.43S.4430 Euro 3 (D3)	94.40	2798	4	Diesel	712		1338
8140.47	93.00	2500	4	Diesel	674		1313
8140.47.2700 Euro 1	93.00	2499	4	Diesel	652		1291
8140.47.2711 Euro 1	93.00	2499	4	Diesel	641		1292
8140.47.2721 Euro 1	93.00	2499	4	Diesel	653		1293
8140.47.2785 Euro 1	93.00	2499	4	Diesel	654		1294
8140.47.3700	93.00	2499	4	Diesel	655		1259
8140.47.3700 Euro 1	93.00	2499	4	Diesel	656		1295
8140.47.3711 Euro 1	93.00	2499	4	Diesel	657		1296
8140.47.3721 Euro 1	93.00	2499	4	Diesel	639		1296
8140.47.3731 Euro 1	93.00	2499	4	Diesel			1296
8140.47B.3790 Euro 1	93.00	2499	4	Diesel	639		1296
8140.47B.3795 Euro 1	93.00	2499	4	Diesel	639		1296
8140.47R	93.00	2499	4	Diesel	658		1297
8140.47R	93.00	2500	4	Diesel	675		1313
8140.47R.2210	93.00	2499	4	Diesel	659		1290
8140.47R.2790	93.00	2499	4	Diesel	660		1298
8140.47R.2795	93.00	2499	4	Diesel	639		1296
8140.47S Euro 1	93.00	2499	4	Diesel	661		1299
8140.61	93.00	2445	4	Diesel	618		1260







		ccm					9
8140.61.200	93.00	2445	4	Diesel	619	1261	
8140.61.200	93.00	2445	4	Diesel	620	1262	
8140.61.204	93.00	2445	4	Diesel	621	1259	
8140.61.300	93.00	2445	4	Diesel	622	1263	
8140.63	94.40	2800	4	Diesel	737	1345	
8140.63. Euro 2	94.40	2798	4	Diesel	734	1343	
8140.63.4000 Euro 3 (D3)	94.40	2798	4	Diesel	733	1343	
8140.67	93.00	2500	4	Diesel	676	1314	
8140.67 (290B7W), 8144.67	93.00	2500	4	Diesel	613	1315	
8140.67.2585 Euro 2	93.00	2500	4	Diesel	677	1316	
8140.67.2700	93.00	2499	4	Diesel		1300	
8140.67F. Euro 2	93.00	2499	4	Diesel	663	1302	
8140.67F.3700 Euro 2	93.00	2499	4	Diesel	662	1301	
8140.67F.3701 Euro 2	93.00	2499	4	Diesel		1300	
8140.67F.3710 Euro 2	93.00	2499	4	Diesel		1300	
8140.67F.3711 Euro 2	93.00	2499	4	Diesel		1300	
8140.67F.3713 Euro 2	93.00	2499	4	Diesel		1300	
8140.67F.3721 Euro 2	93.00	2499	4	Diesel		1300	
8140.97.2781	93.00	2499	4	Diesel	664	1303	
8140.97.2783	93.00	2499	4	Diesel		1304	
8142.61	93.00	2445	4	Diesel	623	1264	
8144. 97S	93.00	2500	4	Diesel	681	1319	
8144.21	93.00	2445	4	Diesel	624	1265	
8144.21.220	93.00	2445	4	Diesel	625	1253	
8144.21.220	93.00	2445	4	Diesel	626	1266	
8144.61	93.00	2428	4	Diesel	612	1250	
8144.61	93.00	2445	4	Diesel	627	1267	
8144.61.200	93.00	2445	4	Diesel	628	1268	
8144.61.200	93.00	2445	4	Diesel	629	1269	
8144.61.200	93.00	2445	4	Diesel	630	1261	
8144.61.500.81	93.00	2445	4	Diesel	631	1270	
8144.65	88.00	1995	4	Diesel	577	1226	
8144.67	93.00	2500	4	Diesel	679	1318	
8144.67.220	93.00	2499	4	Diesel	665	1306	
8144.67.220	93.00	2499	4	Diesel	666	1305	
8144.81.2000	93.00	2445	4	Diesel	632	1259	
8144.91	93.00	2445	4	Diesel	633	1271	
8144.91.2000	93.00	2445	4	Diesel	634	1272	
8144.97	93.00	2499	4	Diesel	667	1308	
8144.97	93.00	2499	4	Diesel	668	1307	
8144.97 S	93.00	2500	4	Diesel	680	1307	
8144.97 Y	93.00	2500	4	Diesel	682	1320	
8144.97 Y	93.00	2500	4	Diesel	683	1319	
8144.97.2200	93.00	2499	4	Diesel		1296	
8144.97.2200	93.00	2499	4	Diesel	669	1309	
8144.97.2400	93.00	2499	4	Diesel		1296	
8144.97.2400	93.00	2499	4	Diesel	670	1307	
8144.97.2500	93.00	2500	4	Diesel		1296	
8149.03.3971	94.40	2798	4	Diesel	735		
828 A1.000	84.00	1756	4	Petrol		1082	
828 A2.000	80.00	1438	4	Petrol	145	889	
828 B.000	84.00	1585	V4	Petrol	385	1068	
828 B1.000	84.00	1995	4	Petrol	385	1068	
828 B4.000	84.00	1995	4	Petrol	445	1127	
828 B7.000	84.00	1995	4	Petrol	446	1078	
828 D3.000	78.00	1367	4	Petrol		852	
831 A1.000	86.40	1498	4	Petrol	534	1195	
831 A2.000	86.40	1301	4	Petrol	523	1187	
831 A4.000	84.00	1585	4	Petrol	386	1069	
831 A7.000	84.00	1585	4	Petrol	387	1070	
831 B.000	86.40	1301	4	Petrol	524	1187	
831 B1.000	86.40	1498	4	Petrol	535	1192	
831 B1.048	86.40	1498	4	Petrol	536	1192	
831 B3.000	84.00	1585	4	Petrol	388	1071	
831 B4.000	84.00	1995	4	Petrol	447	1128	
831 B5.000	84.00	1995	4	Petrol	448	1129	
831 B6.000	84.00	1585	4	Petrol	389	1072	
831 B7.000	84.00	1585	4	Petrol	390	1066	
831 B7.046	84.00	1585	4	Petrol	391	1073	
831 B8.000	80.00	1116	4	Petrol	129	877	
831 C5.000	84.00	1995	4	Petrol	449	1130	
831 C5.046	84.00	1995	4	Petrol	450	1131	
831 D.000	82.60	1911	4	Diesel	305	1000	
831 D1.000	82.60	1929	4	Diesel	321	1011	
831 D1.000	82.60	1929	4	Diesel	322	1012	
831 D5.000	84.00	1995	4	Petrol	451	1132	
831 E5.000	84.00	1995	4	Petrol	452	1125	
831 E5.046	84.00	1995	4	Petrol	452	1125	







		ccm	X 			9	
834 A.000	91.00	2849	V6	Petrol			1244
834 A1.000	72.00	1368	4	Petrol	71		826
834 B.000	84.00	1995	4	Petrol	453		1133
834 B.000	84.00	1995	4	Petrol	454		1134
834 B.048	84.00	1995	4	Petrol	455		1136
834 B.048	84.00	1995	4	Petrol	456		1135
834 B.146	84.00	1995	4	Petrol	457		1137
834 B.146	84.00	1995	4	Petrol	458		1135
834 B1.000	84.00	1995	4	Petrol	459		1135
834 B2.000	84.00	1995	4	Petrol	460		1138
834 B2.246	84.00	1995	4	Petrol	461		1139
834 C.000	84.00	1995	4	Petrol	462		1140
834 C.146	84.00	1995	4	Petrol	463		1140
834 C.146	84.00	1995	4	Petrol	464		1141
834 C1.000	84.00	1995	4	Petrol	465		1126
834 C1.246	84.00	1995	4	Petrol	466		1124
834 E.000	91.00	2849	6	Petrol			1244
834 E.146	91.00	2849	V6	Petrol			1244
834 F.000	93.00	2959	V6	Petrol	685		1322
834 F1.000	84.00	1995	4	Petrol	467		1121
834 F2.000	84.00	1995	4	Petrol	468		1126
834 G.000	88.00	2492	V6	Petrol	592		1237
835 A1.000	86.40	1581	4	Petrol	559		1213
835 A1.046	86.40	1581	4	Petrol	560		1214
835 A2.000	84.00	1756	4	Petrol	401		1083
835 A2.046	84.00	1756	4	Petrol	402		1084
835 A4.000	82.60	1929	4	Diesel	323		1013
835 A4.046	82.60	1929	4	Diesel	324		1013
835 A5.000	84.00	1995	4	Petrol	469		1142
835 A5.046	84.00	1995	4	Petrol	470		1143
835 A7.000	84.00	1995	4	Petrol	471		1129
835 A7.046	84.00	1995	4	Petrol	448		1129
835 A8.000	84.00	1995	4	Petrol	472		1144
835 A8.046	84.00	1995	4	Petrol	473		1145
835 C1.000	86.40	1581	4	Petrol	561		1214
835 C1.000	86.40	1581	4	Petrol	562		1215
835 C2.000	84.00	1756	4	Petrol	403		1085
835 C2.000	84.00	1756	4	Petrol	404		1083
835 C4.000	84.00	1756	4	Petrol	405		1084
835 C4.000	84.00	1756	4	Petrol	406		1086
835 C5.000	84.00	1756	4	Petrol	407		1087
836 A2.000	84.00	1995	4	Petrol	474		1125
836 A2.046	84.00	1756	4	Petrol			1088
836 A3.000	84.00	1995	4	Petrol	475		1121
836 A3.000	84.00	1995	4	Petrol	476		1121
836 A3.011	84.00	1995	4	Petrol	477		1146
836 A4.000	80.50	1372	4	Petrol	172		912
836 A4.000	80.50	1372	4	Petrol	178		915
836 A5.000	84.00	1756	4	Petrol	408		1084
836 A5.000	84.00	1756	4	Petrol	409		1089
836 A6.000	84.00	1756	4	Petrol	410		1090
836 A6.000	84.00	1756	4	Petrol	411		1091
836 C4.000	84.00	1756	4	Petrol	405		1084
838 A1.000	82.00	1998	5	Petrol	266		966
838 A2.000	83.00	2446	5	Petrol	355		1045
838 A2.027	83.00	2446	5	Petrol	355		1045
838 A3.000	82.00	2387	5	Diesel	271		974
838 A4.000	84.00	1995	4	Petrol	478		1147
838 A6.000	82.00	1998	5	Petrol	267		968
838 A7.000	82.00	2387	5	Diesel	271		974
838 A8.000	82.00	2387	5	Diesel	272		975
838 B.000	93.00	2959	V6	Petrol	686		1323
838 B2.000	83.00	2446	5	Petrol	356		1043
839 A4.000	82.00	1747	4	Petrol	200		929
839 A5.000	82.00	2387	5	Diesel	273		973
839 A6.000 Euro 3 (D3)	82.00	2387	5	Diesel	274		976
839 A6.000 Euro 3 (D3)	82.00	2387	5	Diesel	275		977
839 A7.000	82.00	1747	4	Petrol	201		931
839 A9.000	82.00	1747	4	Petrol	202		932
840 A2.000	82.00	1370	4	Petrol	186		923
840 A3.000	70.80	1242	4	Petrol	64		798
840 A4.000	82.00	1370	4	Petrol	186		923
841 A.000	93.00	2959	V6	Petrol	687		1324
841 C.000	82.00	2387	5	Diesel	276		977
841 C000	82.00	2387	5	Diesel	277		976
841 D.000	83.00	2446	5	Petrol	357		1043
841 E.000	82.00	1998	5	Petrol	268		971
841 G.000	82.00	2387	5	Diesel	278		978







		ccm					9
841 G.000	82.00	2387	5	Diesel	279	979	
841 H.000	82.00	2387	5	Diesel	280	981	
841 H.000	82.00	2387	5	Diesel	281	980	
841 M.000	82.00	2387	5	Diesel	282	978	
841 M.000	82.00	2387	5	Diesel	283	982	
841 N.000	82.00	2387	5	Diesel		984	
841 N.000	82.00	2387	5	Diesel	283	983	
841 P.000	82.00	2387	5	Diesel	284	985	
843 A 1.000	72.00	1368	4	Petrol	77	813	
844 A1.000	82.00	1910	4	Diesel		952	
844 A1.000	82.00	1910	4	Diesel	234	952	
844 A2.000	83.00	1956	4	Diesel		1034	
844 A2.000	83.00	1956	4	Diesel	342	1034	
844 A3.000	79.50	1598	4	Diesel		868	
903	65.00	903	4	Petrol	7	764	
932 A.000	93.00	3179	V6	Petrol	707		
932 A2.000	83.00	1970	4	Petrol	343	1036	
93313090-7U	80.50	1796	4	Petrol	183	919	
93313090-H2	80.50	1796	4	Petrol	183	919	
93337154-J1	80.50	1796	4	Petrol	183	919	
936 A.000	93.00	3179	V6	Petrol	708		
936 A6.000	93.00	3179	V6	Petrol	709		
936 B.000	82.00	2387	5	Diesel	285	986	
937 A1.000	83.00	1970	4	Petrol	344	1037	
937 A2.000	82.00	1910	4	Diesel	235	953	
937 A2.000	82.00	1910	4	Diesel	236	954	
937 A3.000	82.00	1910	4	Diesel	237	948	
937 A4.000	82.00	1910	4	Diesel	238	946	
937 A4.000	82.00	1910	4	Diesel	239	946	
937 A5.000	82.00	1910	4	Diesel		955	
937 A5.000	82.00	1910	4	Diesel	240	946	
937 A5.000	82.00	1910	4	Diesel	241	946	
937 A6.000	82.00	1910	4	Diesel	242	956	
937 A7.000	82.00	1910	4	Diesel	243	958	
937 A7.000	82.00	1910	4	Diesel	244	957	
937 A8.000	82.00	1910	4	Diesel	245	959	
939 A.000	87.30	3196	V6	Petrol	573		
939 A1.000	82.00	1910	4	Diesel	246	960	
939 A1.000	82.00	1910	4	Diesel	247	945	
939 A2.000	82.00	1910	4	Diesel	248	961	
939 A2.000	82.00	1910	4	Diesel	249	961	
939 A3.000	82.00	2387	5	Diesel	286	987	
939 A3.000 Euro 4 (D4)	82.00	2387	5	Diesel	287	988	
939 A4.000	80.50	1796	4	Petrol	182	917	
939 A4.000	80.50	1796	4	Petrol	182	918	
939 A5.000	86.00	2198	4	Petrol	518	1174	
939 A6.000	86.00	1859	4	Petrol	508	1174	
939 A7.000	82.00	1910	4	Diesel	227	960	
939 A7.000	82.00	1910	4	Diesel	250	960	
939 A8.000	82.00	1910	4	Diesel	251	963	
939 A8.000	82.00	1910	4	Diesel	252	962	
939 A9.000	82.00	2387	5	Diesel	288	989	
939 B1.000	83.00	1742	4	Petrol	329	1019	
939 B3.000	83.00	1956	4	Diesel	341	1032	
939 B4.000	83.00	1956	4	Diesel	340	1035	
939 B5.000	83.00	1956	4	Diesel	340	1035	
940 A1.000	83.00	1742	4	Petrol	329	1020	
940 A2.000 Euro 5	72.00	1368	4	Petrol	78	820	
940 A3.000	79.50	1598	4	Diesel	116	869	
940 A4.000	83.00	1956	4	Diesel	341	1030	
940 A5.000 Euro 5	83.00	1956	4	Diesel	340	1035	
940 A6.000 Euro 5	72.00	1368	4	Petrol	79	827	
940 A7.000 Euro 5	83.00	1956	4	Diesel		1035	
940 A8.000 Euro 5	83.00	1956	4	Diesel		1035	
940 B1.000	72.00	1368	4	Petrol	80	828	
944 A 3.000	79.50	1598	4	Diesel	117	866	
955 A1.000	72.00	1368	4	Petrol	79	813	
955 A2.000 Euro 5	72.00	1368	4	Petrol	78	821	
955 A2.000 Euro 5	72.00	1368	4	Petrol	79	821	
955 A3.000 Euro 5	79.50	1598	4	Diesel	116	864	
955 A4.000	79.50	1598	4	Diesel	116	869	
955 A4.000	79.50	1598	4	Diesel	117	869	
955 A6.000 Euro 5	72.00	1368	4	Petrol	79	821	
955 A6.000 Euro 5	72.00	1368	4	Petrol	81	821	
955 A7.000	72.00	1368	4	Petrol	78	820	
955 A8.000 Euro 5	72.00	1368	4	Petrol	78	820	
955 A8.000 Euro 5	72.00	1368	4	Petrol	79	820	

		ccm	X 			9	
955 A9.000	72.00	1368	4	Petrol		82	829
9HU	75.00	1560	4	Diesel		86	838
A 112 AB.2C.0	67.20	1050	4	Petrol			768
A 112 B1.054	67.20	965	4	Petrol		20	770
A112 A.000	65.00	903	4	Petrol		16	765
A112 A2.000	67.20	1050	4	Petrol		18	767
A112 A5.000	65.00	903	4	Petrol		16	766
A112 B1.000	67.20	965	4	Petrol		19	769
A112 B2.000	65.00	903	4	Petrol		17	765
AR 00112	78.00	1570	4	Petrol			855
AR 00121	78.00	1570	4	Petrol			855
AR 00500	74.00	1290	4	Petrol			833
AR 00501	74.00	1290	4	Petrol			833
AR 00502	74.00	1290	4	Petrol			833
AR 00504	74.00	1290	4	Petrol			833
AR 00506	74.00	1290	4	Petrol			834
AR 00508	74.00	1290	4	Petrol			833
AR 00510	74.00	1290	4	Petrol			833
AR 00512	84.00	1962	4	Petrol	414		1097
AR 00514	74.00	1290	4	Petrol			833
AR 00515	84.00	1962	4	Petrol	415		1098
AR 00516	78.00	1570	4	Petrol			855
AR 00526	78.00	1570	4	Petrol	108		856
AR 00526 S	78.00	1570	4	Petrol			857
AR 00530	74.00	1290	4	Petrol	84		835
AR 00536	78.00	1570	4	Petrol	109		856
AR 00548	80.00	1779	4	Petrol	152		898
AR 01212	84.00	1962	4	Petrol			1099
AR 01354	80.00	1779	4	Petrol	153		899
AR 01544	84.00	1962	4	Petrol	416		1100
AR 01563	78.10	1570	4	Petrol	113		860
AR 01588	84.00	1962	4	Petrol	417		1101
AR 01590	84.00	1962	4	Petrol	418		1098
AR 01600	78.00	1570	4	Petrol	110		856
AR 01608	80.00	1779	4	Petrol	154		898
AR 01608 X	80.00	1779	4	Petrol	155		898
AR 01615	84.00	1962	4	Petrol			1098
AR 01623	84.00	1962	4	Petrol	419		1102
AR 01644	80.00	1357	4	Petrol	142		886
AR 01646	88.00	2492	V6	Petrol	593		1238
AR 01648	88.00	2492	V6	Petrol	594		1239
AR 01655	84.00	1962	4	Petrol	420		1103
AR 01678	80.00	1779	4	Petrol	154		898
AR 01699	84.00	1962	4	Petrol			1104
AR 01713	84.00	1962	4	Petrol	421		1098
AR 01911	88.00	2492	V6	Petrol	595		1238
AR 01913	88.00	2492	V6	Petrol			1240
AR 01928	88.00	2492	V6	Petrol	596		1238
AR 01932	80.00	1997	V6	Petrol			903
AR 06100	78.00	1567	4	Petrol	107		854
AR 06120	93.00	2959	V6	Petrol	688		1325
AR 06124	93.00	2959	V6	Petrol	688		1325
AR 06134	80.00	1779	4	Petrol	156		899
AR 06158	80.00	1779	4	Petrol	156		899
AR 06166	84.00	1962	4	Petrol	422		1105
AR 06168	80.00	1779	4	Petrol	157		898
AR 06202	80.00	1779	4	Petrol	157		898
AR 06210	80.00	1997	V6	Petrol	163		903
AR 06212	84.00	1962	4	Petrol	421		1103
AR 06224	84.00	1962	4	Petrol	422		1106
AR 06410	93.00	2959	V6	Petrol	689		1326
AR 06412	93.00	2959	V6	Petrol	689		1326
AR 06416	84.00	1995	4	Petrol	422		1149
AR 06420	84.00	1995	4	Petrol	422		1149
AR 06430	93.00	2959	V6	Petrol	690		1324
AR 06476	84.00	1995	4	Petrol	480		1150
AR 10512	84.00	1962	4	Petrol	423		1107
AR 10520	84.00	1962	4	Petrol	424		1108
AR 10527	84.00	1962	4	Petrol	425		1098
AR 10531	74.00	1290	4	Petrol			836
AR 10534	74.00	1290	4	Petrol			836
AR 10538	78.10	1570	4	Petrol			861
AR 10548	80.00	1779	4	Petrol			899
AR 11633	84.00	1962	4	Petrol			1107
AR 11634	84.00	1962	4	Petrol			1099
AR 11642	84.00	1962	4	Petrol	426		1104
AR 11644	80.00	1357	4	Petrol			886
AR 11650	78.00	1570	4	Petrol			855

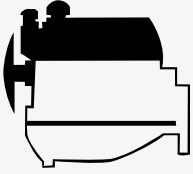
		ccm					9
AR 11655	84.00	1962	4	Petrol			1099
AR 11671	84.00	1962	4	Petrol	425		1102
AR 11900	88.00	2492	V6	Petrol			1241
AR 16101	93.00	2959	V6	Petrol	691		1327
AR 16102	93.00	2959	V6	Petrol	692		1323
AR 16105	93.00	2959	V6	Petrol	693		1323
AR 16199	93.00	2959	V6	Petrol			1324
AR 16201	83.00	1970	4	Petrol	345		1038
AR 16202	80.00	1996	V6	Petrol	159		901
AR 19510	84.00	1962	4	Petrol			1107
AR 19520	93.00	2959	6	Petrol			1324
AR 30100	80.00	1351	4	Petrol	135		884
AR 30102	80.00	1186	4	Petrol	130		878
AR 30102 S	80.00	1186	4	Petrol	130		879
AR 30104	80.00	1186	4	Petrol	131		880
AR 30124	84.00	1490	4	Petrol	361		1049
AR 30128	84.00	1490	4	Petrol	361		1049
AR 30143	84.00	1490	4	Petrol	362		1050
AR 30146	84.00	1490	4	Petrol	363		1049
AR 30160	80.00	1351	4	Petrol	131		878
AR 30164	80.00	1351	4	Petrol	136		880
AR 30168	80.00	1351	4	Petrol	137		880
AR 30180	80.00	1286	4	Petrol	134		879
AR 30182	84.00	1490	4	Petrol	364		1049
AR 30184	84.00	1286	4	Petrol	360		1048
AR 30198	84.00	1490	4	Petrol			1051
AR 30500	80.00	1186	4	Petrol	130		881
AR 30502	80.00	1351	4	Petrol	138		880
AR 30504	84.00	1490	4	Petrol	365		1049
AR 30508	84.00	1490	4	Petrol	363		1049
AR 30514	84.00	1490	4	Petrol	366		1052
AR 30520	84.00	1490	4	Petrol	361		1049
AR 30550	87.00	1712	4	Petrol	563		1216
AR 30558	87.00	1712	4	Petrol	564		1217
AR 30578	87.00	1712	4	Petrol			1218
AR 30585	80.00	1186	4	Petrol	132		882
AR 30586	80.00	1351	4	Petrol	138		880
AR 30587	80.00	1351	4	Petrol	138		878
AR 30588	84.00	1490	4	Petrol	367		1053
AR 30732	80.00	1351	4	Petrol			879
AR 30734	84.00	1490	4	Petrol	368		1051
AR 30736	87.00	1712	4	Petrol	565		1217
AR 30737	87.00	1712	4	Petrol	565		1217
AR 30737 A	87.00	1712	4	Petrol	566		1219
AR 30738	84.00	1490	4	Petrol			1051
AR 30740	87.00	1712	4	Petrol	567		1220
AR 30743	80.00	1186	4	Petrol			883
AR 30746	87.00	1712	4	Petrol	568		1221
AR 30747	87.00	1712	4	Petrol	568		1221
AR 30750	84.00	1490	4	Petrol	369		1054
AR 30751	84.00	1490	4	Petrol	370		1054
AR 30753	80.00	1351	4	Petrol	139		885
AR 30755	80.00	1351	4	Petrol	140		885
AR 31000	80.00	1186	4	Petrol	133		878
AR 31010	80.00	1351	4	Petrol	141		878
AR 31016	84.00	1490	4	Petrol			1051
AR 32101	82.00	1598	4	Petrol	188		925
AR 32102	82.00	1598	4	Petrol	189		926
AR 32103 D4	82.00	1598	4	Petrol	190		927
AR 32104	82.00	1598	4	Petrol	190		927
AR 32201	82.00	1747	4	Petrol	203		933
AR 32205	82.00	1747	4	Petrol	204		933
AR 32301	83.00	1970	4	Petrol	346		1038
AR 32302	82.00	1910	4	Diesel	253		937
AR 32302	82.00	1910	4	Diesel	254		937
AR 32303	83.00	1970	4	Petrol	347		1039
AR 32310 D4	83.00	1970	4	Petrol	348		1040
AR 32401	88.00	2492	V6	Petrol	597		1242
AR 32402	88.00	2492	V6	Petrol			1241
AR 32405	88.00	2492	V6	Petrol	598		1242
AR 32501	82.00	2387	5	Diesel	273		975
AR 32501	82.00	2387	5	Diesel	289		973
AR 33201	84.00	1596	4	Petrol	393		1074
AR 33401	87.00	1712	4	Petrol	569		1221
AR 33501	80.00	1351	4	Petrol	140		885
AR 33503	82.00	1370	4	Petrol	187		924
AR 33601	82.60	1929	4	Diesel	325		1014
AR 34102	80.00	1996	V6	Petrol	160		901

		ccm	X 			9	
AR 34103	83.00	1970	4	Petrol		349	1038
AR 34201	88.00	2492	V6	Petrol		597	1242
AR 34202	82.00	2387	5	Diesel		290	973
AR 34301	93.00	2959	V6	Petrol		694	1323
AR 34302	93.00	2959	V6	Petrol		695	1324
AR 36101	93.00	2959	V6	Petrol		696	1323
AR 36201	88.00	2492	V6	Petrol		599	1242
AR 36202	82.00	2387	5	Diesel		291	990
AR 36301 D4	83.00	1970	4	Petrol		350	1040
AR 37101	82.00	1910	4	Diesel		255	964
AR 37101	82.00	1910	4	Diesel		256	954
AR 37203	82.00	1598	4	Petrol		191	928
AR 38201	82.00	1598	4	Petrol		192	926
AR 38401	82.00	1747	4	Petrol		205	933
AR 38501	82.00	1370	4	Petrol		187	924
AR 61101	78.10	1567	4	Petrol		112	859
AR 61102	80.00	1779	4	Petrol		157	898
AR 61201	80.00	1779	4	Petrol		158	900
AR 61202	80.00	1779	4	Petrol		158	899
AR 61203	80.00	1779	4	Petrol			899
AR 61501	93.00	2959	V6	Petrol		697	1324
AR 61503	93.00	2959	V6	Petrol		688	1325
AR 64101	80.00	1996	V6	Petrol		161	902
AR 64102	80.00	1996	V6	Petrol		162	902
AR 64103	84.00	1995	4	Petrol		412	1151
AR 64301	93.00	2959	V6	Petrol		698	1326
AR 64303	93.00	2959	V6	Petrol		699	
AR 64304	93.00	2959	V6	Petrol		700	1328
AR 64305	93.00	2959	V6	Petrol		701	1327
AR 64306	93.00	2959	V6	Petrol		702	1324
AR 64307	93.00	2959	V6	Petrol		703	1324
AR 64308	93.00	2959	V6	Petrol		704	1324
AR 64399	93.00	2959	V6	Petrol		705	1324
AR 66201	88.00	2492	V6	Petrol		600	1241
AR 66301	93.00	2959	V6	Petrol		704	1324
AR 66302	93.00	2959	6	Petrol		704	1324
AR 66303	93.00	2959	V6	Petrol		701	1327
AR 66304	93.00	2959	V6	Petrol			1324
AR 66306	93.00	2959	V6	Petrol		706	1324
AR 67101	84.00	1773	4	Petrol		412	1093
AR 67102	84.00	1773	4	Petrol		412	1093
AR 67103	83.40	1748	4	Petrol		358	1046
AR 67105	83.50	1748	4	Petrol		359	1047
AR 67106	82.00	1747	4	Petrol		206	933
AR 67199	82.00	1747	4	Petrol		207	934
AR 67201	84.00	1995	4	Petrol		481	1151
AR 67202	83.00	1995	4	Petrol		353	1042
AR 67203	84.00	1995	4	Petrol		482	1152
AR 67204	83.00	1970	4	Petrol		351	1038
AR 67299	83.00	1970	4	Petrol		352	1041
AR 67301	88.00	2492	V6	Petrol		601	1243
AR 67302	88.00	2492	V6	Petrol		602	1243
AR 67303	88.00	2492	V6	Petrol		603	1243
AR 67402	84.00	1756	4	Petrol		412	1092
AR 67501	82.60	1929	4	Diesel		326	1014
AR 67502	82.60	1929	4	Diesel			1015
AR 67601	82.00	1598	4	Petrol		193	926
B 25.637	93.00	2498	4	Diesel			1273
CRD93L (U25-661)	93.00	2500	4	Diesel		684	1321
D19AA	82.00	1910	4	Diesel		257	950
D20AA Euro 5	83.00	1956	4	Diesel		340	1032
D8B	83.00	1905	4	Diesel		331	1022
D8B (XUD9TE)	83.00	1905	4	Diesel		332	1023
D9B	83.00	1905	4	Diesel		333	1024
D9B (XUD9A)	83.00	1905	4	Diesel		334	1025
DHX	83.00	1905	4	Diesel		337	1027
DHX (XUD9TE)	83.00	1905	4	Diesel		335	1023
DHX (XUD9TF/L)	83.00	1905	4	Diesel		336	1026
DJY	83.00	1905	4	Diesel		339	1029
DJY (XUD9)	83.00	1905	4	Diesel		338	1028
DW10BTED4	85.00	1997	4	Diesel		483	1154
ES9 J4S	87.00	2946	V6	Petrol		570	1222
F1AE 0481 C	88.00	2287	4	Diesel		584	1231
F1AE0481A Euro 3 (D3)	88.00	2287	4	Diesel		582	1229
F1AE0481B Euro 3 (D3)	88.00	2287	4	Diesel		583	1229
F1AE0481C	88.00	2286	4	Diesel		580	1229
F1AE0481D Euro 4 (D4)	88.00	2287	4	Diesel		585	1232
F1AE0481F Euro 4 (D4)	88.00	2287	4	Diesel		587	1230

		ccm					9
F1AE0481FA Euro 4 (D4)	88.00	2287	4	Diesel	586	1232	
F1AE0481G Euro 4 (D4)	88.00	2287	4	Diesel	587	1230	
F1AE0481GA Euro 4 (D4)	88.00	2287	4	Diesel	586	1232	
F1AE0481H Euro 4 (D4)	88.00	2287	4	Diesel	587	1230	
F1AE0481HA Euro 4 (D4)	88.00	2287	4	Diesel	586	1232	
F1AE0481M	88.00	2287	4	Diesel	588	1232	
F1AE0481N	88.00	2287	4	Diesel	589	1233	
F1AE0481R Euro 4 (D4)	88.00	2287	4	Diesel	590	1230	
F1AE0481T	88.00	2286	4	Diesel	581	1230	
F1AE0481U Euro 4 (D4)	88.00	2287	4	Diesel	587	1234	
F1AE0481V Euro 4 (D4)	88.00	2287	4	Diesel	587	1234	
F1AE3481A Euro 5	88.00	2287	4	Diesel	587	1234	
F1AE3481B Euro 5	88.00	2287	4	Diesel	587	1234	
F1AE3481C Euro 5	88.00	2287	4	Diesel	587	1234	
F1AE3481D	88.00	2287	4	Diesel	591	1235	
F1AE3481E	88.00	2287	4	Diesel	589	1235	
F1AE3481G	88.00	2287	4	Diesel	589	1236	
F1CE0441A	95.80	2999	4	Petrol	745		
F1CE0441A EEV	95.80	2998	4	Gas		1351	
F1CE0481A	95.80	2998	4	Diesel	742	1352	
F1CE0481B Euro 3 (D3)	95.80	2998	4	Diesel	742	1352	
F1CE0481D Euro 4 (D4)	95.80	2999	4	Diesel	746	1353	
F1CE0481FA Euro 4 (D4)	95.80	2998	4	Diesel	743	1352	
F1CE0481HA EEV	95.80	2998	4	Diesel	743	1354	
F1CE0481HC Euro 4 (D4)	95.80	2998	4	Diesel	743	1354	
F1CE0481L Euro 4 (D4)	95.80	2998	4	Diesel		1353	
F1CE3481E Euro 5	95.80	2999	4	Diesel	747		
F1CE3481LC EEV	95.80	2998	4	Diesel	744		
F1CE3481M Euro 5	95.80	2999	4	Diesel	747		
F1CE3481N Euro 5	95.80	2999	4	Diesel	747		
J2	80.50	1796	4	Petrol	183	919	
KFT	75.00	1360	4	Petrol	85	837	
KFV	75.00	1360	4	Petrol	85	837	
LFW	83.00	1761	4	Petrol	330	1021	
M 624 AA 30.A	93.00	2959	6	Petrol		1324	
M 624 AB 30.A	93.00	2959	6	Petrol		1324	
M020 AA.09.0	65.00	903	4	Petrol		754	
M16A Euro4/Euro5	78.00	1586	4	Petrol	111	858	
P 8 C	85.00	2088	4	Diesel	500	1166	
P8C	85.00	2088	4	Diesel	499	1167	
PN93327668	80.50	1796	4	Petrol	183	919	
PN93327669	80.50	1796	4	Petrol	183	919	
RFH (EW10A) Euro 4 (D4)	85.00	1997	4	Petrol	484	1155	
RFL	86.00	1998	4	Petrol	509	1175	
RFN	85.00	1997	4	Petrol	487	1157	
RFN (EW10J4)	85.00	1997	4	Petrol	485	1156	
RFN (EW10J4)	85.00	1997	4	Petrol	486	1156	
RFU (XU10J2C)	86.00	1998	4	Petrol	510	1176	
RFV	86.00	1998	4	Petrol	512	1178	
RFV (XU10J4R)	86.00	1998	4	Petrol	511	1177	
RFW	86.00	1998	4	Petrol	513	1176	
RGX (XU10J2CTE)	86.00	1998	4	Petrol	514	1179	
RGX (XU10J2TE)	86.00	1998	4	Petrol	515	1180	
RH02	85.00	1997	4	Diesel	488	1153	
RHH Euro 5	85.00	1997	4	Diesel	488	1158	
RHK	85.00	1997	4	Diesel	489	1160	
RHK (DW10UTED4) Euro 4 (D4)	85.00	1997	4	Diesel	483	1159	
RHM (DW10ATED4)	85.00	1997	4	Diesel	490	1161	
RHM (DW10ATED4)	85.00	1997	4	Diesel	491	1159	
RHR	85.00	1997	4	Diesel	493	1162	
RHR (DW10BTED4) Euro 4 (D4)	85.00	1997	4	Diesel	492	1162	
RHV (DW10)	85.00	1997	4	Diesel	494	1163	
RHW (DW10ATED4)	85.00	1997	4	Diesel	495	1162	
RHW (DW10ATED4)	85.00	1997	4	Diesel	496	1164	
RHX	85.00	1997	4	Diesel	497	1165	
RHZ	85.00	1997	4	Diesel	497	1165	
RHZ (DW10ATED)	85.00	1997	4	Diesel	498	1159	
THY (DK5ATE)	92.00	2446	4	Diesel		1247	
VM 07 B	92.00	2499	4	Diesel	608	1248	
VM 08 B	92.00	2499	4	Diesel	609	1248	
VM 31 B	92.00	2499	4	Diesel	609	1248	
VM 32 B	92.00	2499	4	Diesel	610	1248	
VM 4 HT	88.00	1995	4	Diesel	578	1227	
VM 5 HT	88.00	2494	5	Diesel		1227	
VM 80 A	88.00	1995	4	Diesel	579	1228	
VM 81 A	92.00	2393	4	Diesel	607	1245	
VM 82 A	92.00	1779	3	Diesel	605	1245	
VM 84 A	92.00	2499	4	Diesel	611	1248	

		ccm	X 			9	
VM 96 A	92.00	1779	3	Diesel	605		1245
VM-425 CHIEA 08 B	92.00	2499	4	Diesel			1249
VM-425 SLIRA	92.00	2500	4	Diesel			1249
VM4HT 2.4	92.00	2393	4	Diesel	606		1246
VM4HT/2	88.00	1995	4	Diesel	579		1228
VM-HR 588 HT	88.00	2493	5	Diesel	604		1228
WJY (DW8)	82.20	1868	4	Diesel	292		991
WJY (DW8B)	82.20	1868	4	Diesel	293		991
WJZ (DW8)	82.20	1868	4	Diesel	294		992
XFW	87.00	2946	V6	Petrol	571		
XFW	87.00	2946	V6	Petrol	572		1223
XM7T	84.00	1796	4	Petrol			1095
XN 1T	88.00	1971	4	Petrol	576		1225
Y2	80.50	1796	4	Petrol	183		919

TOP ENGINE APPLICATIONS



ZYLINDERKOPFANWENDUNGEN

APPLICAZIONI PARTE ALTA DEL MOTORE

APPLICATIONS HAUT MOTEUR

APLICACIONES PARA LA PARTE SUPERIOR DEL MOTOR

GÓRA SILNIKA

ДЕТАЛИ ВЕРХНЕЙ ЧАСТИ ДВИГАТЕЛЯ







تطبيقات المحرك العلوية

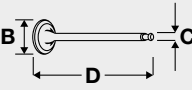



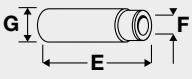
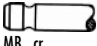
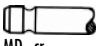








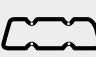


FIAT GROUP

1 65.00 Petrol

141 B.000 4 Cyl. 9.2:1 769cc 25kW (34)PS TD4370 749

					
TB129 104x15 10/88 → 04/91	TBK006 10/88 → 04/91 Component No: TB129; AE1008TP				

	OE				
V91286 ■ 26.30 x 7.00 x 97.20	7 537 668		45°	H	VAG92364 ■ ■ ■ 42.50 x 7.00 x 13.07
V91287 ■ 23.30 x 7.00 x 97.20	7 537 667		45°		







							
BP520 Fibre Composite, 1.200mm BP030 Fibre Composite, 1.800mm	DR611 Eng.8061128 → DS570 Eng.8061128 →	GR611	HBS297 Ⓢ M9x1.25x91.00mm (x9)	JC973 ■	JM333	HR599 ■	

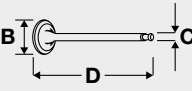



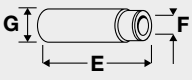
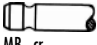
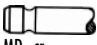








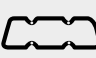


BP520, BP030

2 65.00 Petrol

156 A4.000 4 Cyl. 9.4:1 770cc 25kW (34)PS TD11307 750



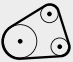

					
TB129 104x15 05/86 →	TBK006 05/86 → Component No: TB129; AE1008TP				

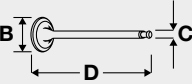
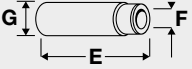
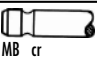

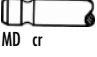
	OE				
V91286 ■ 26.30 x 7.00 x 97.20	7 537 668		45°	H	VAG92364 ■ ■ ■ 42.50 x 7.00 x 13.07
V91287 ■ 23.30 x 7.00 x 97.20	7 537 667		45°		






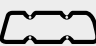






							
BP660 Fibre Composite	DP660	GP660	HBS052 Ⓢ M9x1.25x95.00mm (x10)	JD148 ■ JC660 ■	JN667	HR599 ■	NA5053 30.00x42.00x7.00mm FPM



BP660



3  65.00 Petrol 	
156 A4.048	4 Cyl. 9.4:1 770cc 25kW (34)PS TD11308 750
	
TB129 104x15	TBK006 Component No: TB129; AE1008TP

	
B x C x D	E x F x G
V91286 	VAG92364 
26.30 x 7.00 x 97.20	42.50 x 7.00 x 13.07
V91287 	
23.30 x 7.00 x 97.20	

							
BP660 Fibre Composite	DP660	GP660	HBS052  M9x1.25x95.00mm (x10)	JD148  JC660 	JN667	HR599 	NA5053 30.00x42.00x7.00mm FPM



BP660

4  65.00 Petrol 	
100 G.000	4 Cyl. 8:1 843cc 25kW (34)PS TD863 751
100 G.002	4 Cyl. 8.8:1 843cc 27kW (37)PS TD864 752
100 GB.000	4 Cyl. 8.8:1 843cc 35kW (47)PS TD865 753
100 GC.000	4 Cyl. 9.3:1 843cc 38kW (52)PS TD868 752

						
BP520 Fibre Composite, 1.200mm	DP013 DR610	GP013	JC973 	JN333	HR599 	



BP520

FIAT GROUP

5

65.00

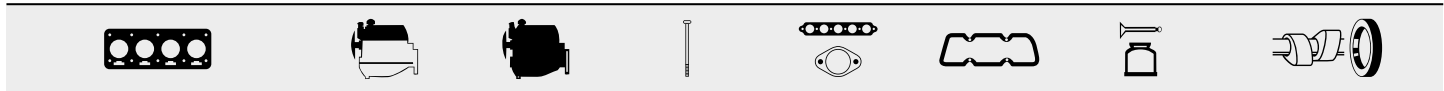
Petrol



1170 A1.000 4 Cyl. 899cc **29-30kW (40-41)PS** **TD1030** **755**

	.KIT		KIT		
					FOL161 (x8) Eng: 9127270→

B x C x D	OE	MAT.	45°	H	E x F x G
V34457 ■	4 265 695	MB	45°	H	VAG92364 ■ ■ 42.50 x 7.00 x 13.07
V94576 ■	46 407 749	MB cr	45°	H	
V91282 ■	7 783 841	MD	45°		



AY430 Fibre Composite BT260 Fibre Composite	DT260	GP011 GT260 [3]	HBS297 Ⓢ M9x1.25x91.00mm (x9)	JC973 ■	JN803	HR599 ■	
--	--------------	----------------------------------	---	----------------	--------------	----------------	--



AY430, BT260

[3] Specification: Contains JJ449

[3] Caractéristiques : Contient JJ449

[3] Specifiche: Contiene JJ449

[3] Especificaciones: Contiene JJ449

6

65.00

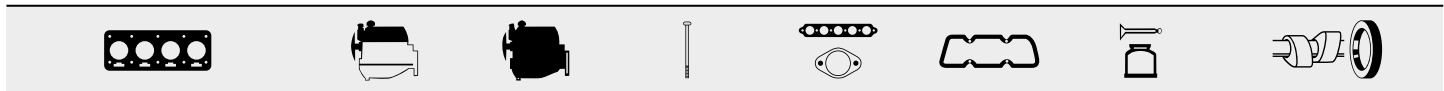
Petrol



1170 A1.046 4 Cyl. 8.8:1 899cc **29kW (39)PS** **TD872** **756**

	.KIT		KIT		
					FOL119 (x8) Eng: →9127269 FOL161 (x8) Eng: 9127270→

B x C x D	OE	MAT.	45°	H	E x F x G
V34457 ■	4 265 695	MB	45°	H	VAG92364 ■ ■ 42.50 x 7.00 x 13.07
V94576 ■	46 407 749	MB cr	45°	H	
V91282 ■	7 783 841	MD	45°		



BT260 Fibre Composite	DT260	GT260 [3]	HBS297 Ⓢ M9x1.25x91.00mm (x9)	JC973 ■	JN803	HR599 ■	
------------------------------	--------------	------------------	---	----------------	--------------	----------------	--





BT260

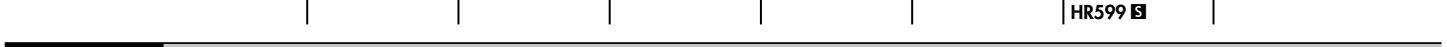
[3] Specification: Contains JJ449



[3] Caractéristiques : Contient JJ449

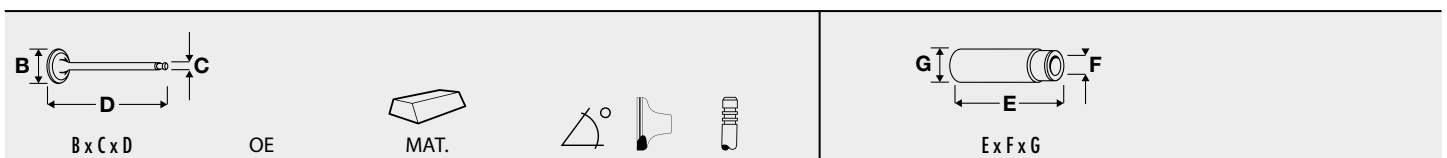
[3] Specifiche: Contiene JJ449




[3] Especificaciones: Contiene JJ449

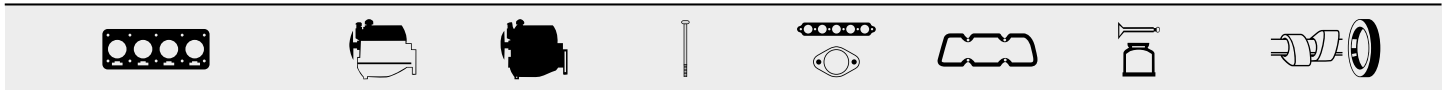
7		 65.00		Petrol			
100 GBC.000	4 Cyl.	9.5:1	903cc	38kW (52)PS	TD866	757	
100 GBS.000	4 Cyl.		903cc	38kW (52)PS	TD867	754	
903	4 Cyl.		903cc	33kW (45)PS	TD6824	764	








8		 65.00		Petrol			
100 GF 000	4 Cyl.	7.8:1	903cc	26kW (35)PS	TD6939	758	
100 GL.000	4 Cyl.	9:1	903cc	30-33kW (41-45)PS	TD870	758	





B x C x D	OE	MAT.	Angle	Part	E x F x G
V34457 	4 265 695		45°	H	VAG92364 
29.10 x 7.02 x 95.65		MB			42.50 x 7.00 x 13.07
V91282 	7 783 841		45°		
26.00 x 7.00 x 95.50		MD			

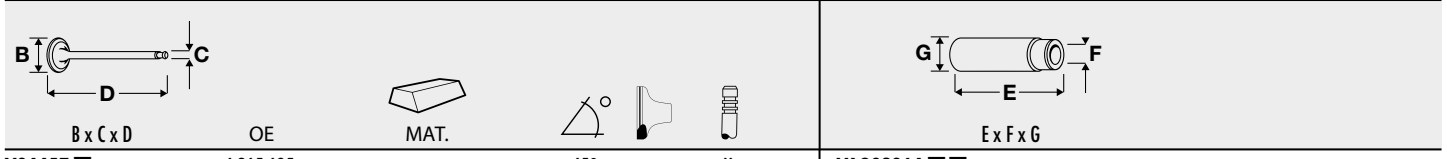


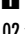
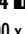

BP520 Fibre Composite, 1.200mm	CG01A 	GP011 	HBS279 	JC973 	JM333	HR599 
BP030 Fibre Composite, 1.800mm	→Eng.8064870	→Eng.8064870	M11x1.50x154.00mm (x6)			
	DP011 →Eng.8064870					
	DR610 →Eng.8064870					

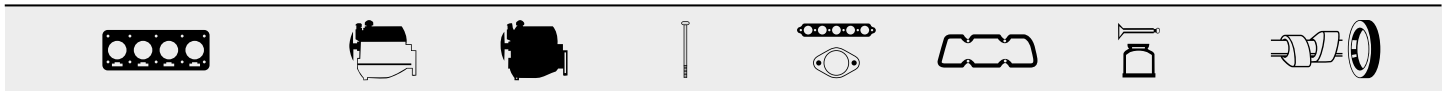




BP520, BP030

9		 65.00		Petrol			
100 GL.048	4 Cyl.	7.8:1	903cc	29kW (40)PS	TD4413	751	



B x C x D	OE	MAT.	Angle	Part	E x F x G
V34457 	4 265 695		45°	H	VAG92364 
29.10 x 7.02 x 95.65		MB			42.50 x 7.00 x 13.07
V91282 	7 783 841		45°		
26.00 x 7.00 x 95.50		MD			



	DR610		HBS279 		HR599 	
			M11x1.50x154.00mm (x6)			

FIAT GROUP

10	65.00	Petrol							
100 GL3.000	4 Cyl.	9:1	903cc	33kW (45)PS				TD869	760

B x C x D	OE	MAT.		H	E x F x G
V34457	4 265 695		45°		VAG92364
29.10 x 7.02 x 95.65		MB			42.50 x 7.00 x 13.07
V91282	7 783 841		45°		
26.00 x 7.00 x 95.50		MD			

BP520 Fibre Composite, 1.200mm BP030 Fibre Composite, 1.800mm	CG01A ▲ →Eng.8064870 DPO11 →Eng.8064870 DR610	GP011	HBS297 ① M9x1.25x91.00mm (x9)	JC973	JM333	HR599	



BP520, BP030







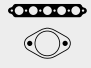
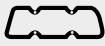


11	65.00	Petrol							
146 A.000	4 Cyl.	9:1	903cc	33kW (45)PS				TD4371	761



B x C x D	OE	MAT.		H	E x F x G
V34457	4 265 695		45°		VAG50895
29.10 x 7.02 x 95.65		MB			46.00 x 7.04 x 13.03
V91282	7 783 841		45°		VAG92364
26.00 x 7.00 x 95.50		MD			42.50 x 7.00 x 13.07
V91766	7 783 861		45°		
26.00 x 7.00 x 95.50		MD			

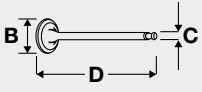
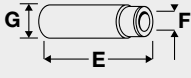
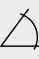


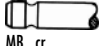


BP520 Fibre Composite, 1.200mm BP030 Fibre Composite, 1.800mm	CG01A ▲ →Eng.8064870 DPO11 →Eng.8064870 DR610	GP011 →Eng.8064870	HBS297 ① M9x1.25x91.00mm (x9)	JC973	JM333	HR599	





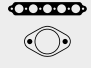
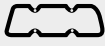




BP520, BP030

12		65.00	Petrol				
146 A.048	4 Cyl.	9:1	903cc	33kW (45)PS	TD934	751	
							
	CG01A ▲					HR599 ■	



13		65.00	Petrol			
146 A1.000	4 Cyl.	9:1	903cc	33kW (45)PS	TD4372	762



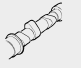



							
B x C x D	OE	MAT.				H	E x F x G
V94576 ■	46 407 749		45°				VAG50895 ■ ■
29.00 x 7.00 x 95.10		MB cr					46.00 x 7.04 x 13.03
V91282 ■	7 783 841		45°				VAG92364 ■ ■
26.00 x 7.00 x 95.50		MD					42.50 x 7.00 x 13.07
V91766 ■	7 783 861		45°				
26.00 x 7.00 x 95.50		MD					

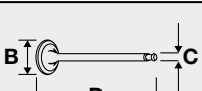
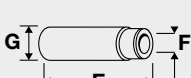



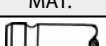
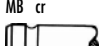
							
BP520 Fibre Composite, 1.200mm BP030 Fibre Composite, 1.800mm	CG01A ▲ →Eng.8064870 DPO11 →Eng.8064870 DR610	GP011	HBS297 ⊕ M9x1.25x91.00mm (x9)	JC973 ■	JM333	HR599 ■	






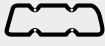




BP520, BP030

14		65.00	Petrol			
170 A1.000	4 Cyl.	8.8:1	903cc	30kW (41)PS	TD15810	763

					
	KIT		KIT		FOL119 (x8)

							
B x C x D	OE	MAT.				H	E x F x G
V94576 ■	46 407 749		45°				VAG50895 ■ ■
29.00 x 7.00 x 95.10		MB cr					46.00 x 7.04 x 13.03
V91282 ■	7 783 841		45°				VAG92364 ■ ■
26.00 x 7.00 x 95.50		MD					42.50 x 7.00 x 13.07

							
AY430 Fibre Composite BT260 Fibre Composite	DT260	GT260	HBS297 ⊕ M9x1.25x91.00mm (x9)	JC973 ■	JN803	HR599 ■	



AY430, BT260

15	65.00	Petrol				
170 A1.046	4 Cyl.	8.8:1	903cc	30kW (41)PS	TD15811	763

B x C x D	E x F x G
OE	
MAT.	
V94576	VAG50895
46 407 749	46.00 x 7.04 x 13.03
29.00 x 7.00 x 95.10	
V91282	VAG92364
7 783 841	42.50 x 7.00 x 13.07
26.00 x 7.00 x 95.50	

AY430 Fibre Composite	DT260	GT260	HBS297	JC973	JN803	HR599	
BT260 Fibre Composite			M9x1.25x91.00mm (x9)				



AY430, BT260



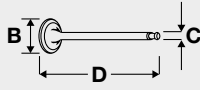
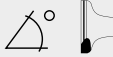

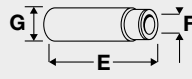







16	65.00	Petrol				
A112 A.000	4 Cyl.	9:1	903cc	21-32kW (29-44)PS	TD1856	765
A112 A5.000	4 Cyl.	9:1	903cc	29-31kW (40-42)PS	TD1803	766






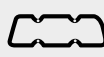

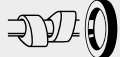

B x C x D	E x F x G
OE	
MAT.	
V34457	VAG92364
4 265 695	42.50 x 7.00 x 13.07
29.10 x 7.02 x 95.65	
V34654	
4 266 321	
26.11 x 7.00 x 95.00	

BP520 Fibre Composite, 1.200mm	DPO21	GP011		JN406		










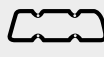

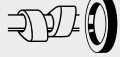
BP520








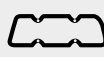

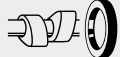

17	 65.00	Petrol					
A112 B2.000	4 Cyl.	9:1	903cc	29-32kW (40-44)PS	TD4622	765	
	$B \times C \times D$	OE	MAT.				$E \times F \times G$
V34457 	4 265 695		45°	H	VAG92364  		
29.10 x 7.02 x 95.65		MB					
V91282 	7 783 841		45°				
26.00 x 7.00 x 95.50		MD					



							
BP520 Fibre Composite, 1.200mm	DP021	 GP011			JN406		

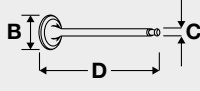
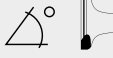

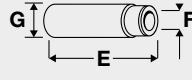

















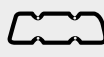

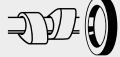
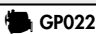


BP520

18	 67.20	Petrol						
A112 A2.000	4 Cyl.	10.2:1	1050cc	51kW (69)PS	TD4621	767		
								
					JN406			

19	 67.20	Petrol						
A112 B1.000	4 Cyl.	9.2:1	965cc	35kW (48)PS	TD1824	769		
								
		 GP021						

20	 67.20	Petrol				
A 112 B1.054	4 Cyl.	9.2:1	965cc	35-36kW (48-49)PS	TD4412	770

	$B \times C \times D$	OE	MAT.				$E \times F \times G$
V34457 	4 265 695		45°	H	VAG50895  		
29.10 x 7.02 x 95.65		MB					
V91766 	7 783 861		45°		VAG92364  		
26.00 x 7.00 x 95.50		MD					

							
BP510 Fibre Composite, 1.200mm	DP022	 GP022		JC973 	JM333	HR599 	



BP510, BP500

21

67.40

Petrol



110 F.000	2 Cyl.	7.1:1	499cc	13kW (18)PS	TD871	772
120.000	2 Cyl.		499cc	13kW (18)PS	TD873	772

	OE	MAT.				
B x C x D						E x F x G
V91739	4 294 098		45°		H	
32.00 x 8.00 x 115.00		MB				
V91633	4 146 638		45°			
28.00 x 8.00 x 115.80		MD				
V91712	4 374 855		45°			
28.00 x 8.00 x 116.10		MD				

AM870 Fibre Composite	CM870	FM872		JA752 (x2) JA755	JM490 JM674	KG393	



AM870

22

69.60

Diesel

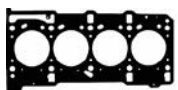


169 A1.000	4 Cyl.	17.6:1	1248cc	55kW (75)PS	TD20236	773	
188 A9.000	4 Cyl.	18:1	1248cc	51-55kW (70-75)PS	Turbo Intercooled	TD17456	776
188 A9.000	4 Cyl.	18:1	1248cc	51kW (70)PS		TD18314	776
199 A2.000	4 Cyl.	18:1	1248cc	55-56kW (75-76)PS	Turbo Intercooled	TD20240	777

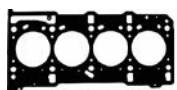
			CAM711 CAM712			FOL187 (x16)

	OE	MAT.				
B x C x D						E x F x G
V95015	55 195 680		45°	Y	H	
21.85 x 6.00 x 109.20		MB cr				
V95016	55 208 213		45°		H	
21.80 x 6.00 x 109.20		MG cr				

AD5800 MLS, 0.720mm AD5810 MLS, 0.820mm, 1 Hole AD5820 MLS, 0.920mm, 2 Holes	CD5810	FD5810	HBS353 M10x1.25x119.00mm (x10)	JD5411 JD5413 MLS	JM5259 (Steel Elastomer)	HR5088	










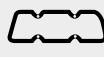

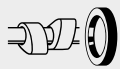
AD5800







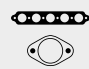
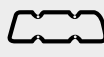


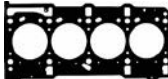
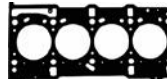

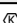









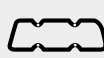



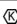
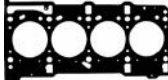
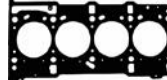

AD5810



AD5820

23	 69.60	Diesel					
169 A5.000	4 Cyl.	16.8:1	1248cc	55kW (75)PS	Turbo Intercooled	TD24712	774
							
							NA5058 40.00x55.00x7.00mm FPM

24	 69.60	Diesel					
169 A5.000	4 Cyl.	16.8:1	1248cc	55kW (75)PS	Turbo Intercooled	TD24711	775
							
AD5800 MLS, 0.720mm AD5810 MLS, 0.820mm, 1 Hole AD5820 MLS, 0.920mm, 2 Holes	 AD5800		 AD5810	 AD5820	HBS353  M10x1.25x119.00mm (x10)	JM5259 (Steel Elastomer)	

25	 69.60	Diesel					
188 A8.000	4 Cyl.	18:1	1248cc	51kW (70)PS	Turbo Intercooled	TD23866	776
199 B2.000 Euro 5	4 Cyl.	17.6:1	1248cc	51kW (69)PS	Turbo Intercooled	TD23578	780
							
AD5800 MLS, 0.720mm AD5810 MLS, 0.820mm, 1 Hole AD5820 MLS, 0.920mm, 2 Holes	CD5810 ▲	 FD5810	HBS353  M10x1.25x119.00mm (x10)	JD5411 ■ JD5413 ■ MLS	JM5259 (Steel Elastomer)	HR5088 ■	
 AD5800	 AD5810	 AD5820					

FIAT GROUP

26	69.60	Diesel					
199 A2.000	4 Cyl.	18:1	1248cc	55kW (75)PS	Turbo Intercooled	TD20272	777
		CAM711 ■ CAM712 ■				FOL187 (x16)	

B x C x D	E x F x G				
V95015 ■	55 195 680		45°	Y	H
21.85 x 6.00 x 109.20					
V95016 ■	55 208 213		45°		H
21.80 x 6.00 x 109.20					

AD5800 MLS, 0.720mm	CD5810 ▲	FD5810	HBS353 ☒	JD5411 ■	JM5299 [5]	HR5088 ■	
AD5810 MLS, 0.820mm, 1 Hole			M10x1.25x119.00mm (x10)	JD5413 ■			
AD5820 MLS, 0.920mm, 2 Holes				MLS			
AD5800	AD5810	AD5820					
[5] Specification: Edge Moulded	[5] Spécification: bord moulé	[5] Specificazione: bordo modellato					

27	69.60	Diesel					
199 A3.000	4 Cyl.	18:1	1248cc	66kW (90)PS	Turbo Intercooled	TD23450	779
						FOL187 (x16)	
B x C x D	E x F x G						
AD5800 MLS, 0.720mm	CD5820 ▲	FD5820 ▲	HBS353 ☒	JD5993 ■	JM5259	HR791 ■	
AD5810 MLS, 0.820mm, 1 Hole			M10x1.25x119.00mm (x10)	JD5413 ■	(Steel Elastomer)		
AD5820 MLS, 0.920mm, 2 Holes				MLS			
AD5800	AD5810	AD5820					

28

69.60

Diesel



199 A3.000 4 Cyl. 18:1 1248cc 66-70kW (90-95)PS Turbo Intercooled TD20241 778

			CAM711 ■ CAM712 ■	FOL187 (x16)	

	OE	MAT.				
B x C x D			45°	Y	H	E x F x G
V95015 ■ 21.85 x 6.00 x 109.20	55 195 680		45°			
V95016 ■ 21.80 x 6.00 x 109.20	55 208 213		45°		H	

AD5800 MLS, 0.720mm AD5810 MLS, 0.820mm, 1 Hole AD5820 MLS, 0.920mm, 2 Holes	CD5820 ▲	FD5820 ▲	HBS353 ☒ M10x1.25x119.00mm (x10)	JD5993 ■ JD5413 ■ MLS	JM5259 (Steel Elastomer)	HR791 ■	
AD5800	AD5810	AD5820					

29

69.60

Diesel




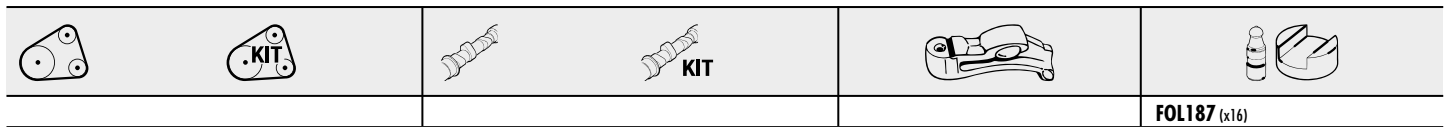
199 A3.000 4 Cyl. 18:1 1248cc 66-77kW (90-105)PS Turbo Intercooled TD20273 778

			CAM711 ■ CAM712 ■	FOL187 (x16)	

AD5800 MLS, 0.720mm AD5810 MLS, 0.820mm, 1 Hole AD5820 MLS, 0.920mm, 2 Holes	CD5820 ▲	FD5820 ▲	HBS353 ☒ M10x1.25x119.00mm (x10)	JD5993 ■ JD5413 ■ MLS	JM5259 (Steel Elastomer)	HR791 ■	
AD5800	AD5810	AD5820					

FIAT GROUP

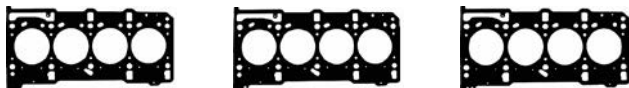
30	 69.60	Diesel					
199 A9.000 Euro 5	4 Cyl.	17.6:1	1248cc	55kW (75)PS	Turbo Intercooled	TD23573	780
199 B1.000 Euro 5	4 Cyl.	16.8:1	1248cc	70kW (95)PS	Turbo Intercooled	TD23574	780
199 B1.000 Euro 5	4 Cyl.	16.8:1	1248cc	70kW (95)PS	Turbo Intercooled	TD24590	780
199 B1.000 Euro 5	4 Cyl.	16.8:1	1248cc	70kW (95)PS	Turbo Intercooled	TD24672	781





FOL187 (x16)

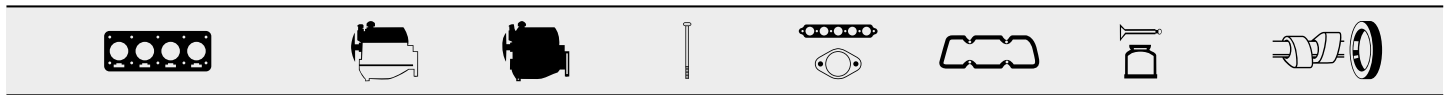


AD5800 MLS, 0.720mm AD5810 MLS, 0.820mm, 1 Hole AD5820 MLS, 0.920mm, 2 Holes	CD5810 ▲	FD5810	HBS353 ☒ M10x1.25x119.00mm (x10)	JD5411 ■ JD5413 ■ MLS	JM5259 (Steel Elastomer)	HR5088 ■	
--	----------	--------	-------------------------------------	-----------------------------	-----------------------------	----------	--

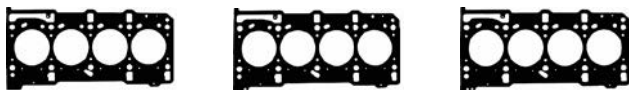


AD5800 AD5810 AD5820



31	 69.60	Diesel					
199 B4.000 Euro 5	4 Cyl.	16.8:1	1248cc	62kW (84)PS	Turbo Intercooled	TD24938	782

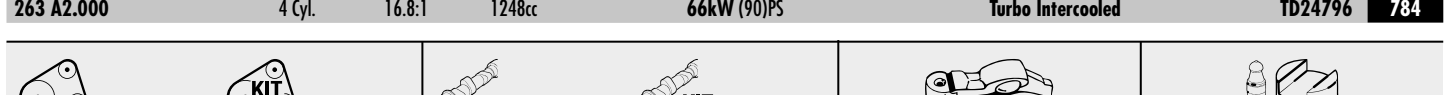


AD5800 MLS, 0.720mm AD5810 MLS, 0.820mm, 1 Hole AD5820 MLS, 0.920mm, 2 Holes	CD5820 ▲	FD5820 ▲	HBS353 ☒ M10x1.25x119.00mm (x10)	JD5411 ■ JD5413 ■ MLS	JM5259 (Steel Elastomer)	HR791 ■	
--	----------	----------	-------------------------------------	-----------------------------	-----------------------------	---------	--



AD5800 AD5810 AD5820

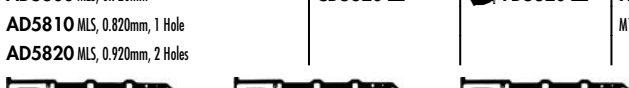
32	 69.60	Diesel					
199 B4.000 Euro5/Euro6	4 Cyl.	16.8:1	1248cc	62kW (84)PS	Turbo Intercooled	TD24898	782
263 A2.000	4 Cyl.	16.8:1	1248cc	66kW (90)PS	Turbo Intercooled	TD24796	784



FOL187 (x16)



AD5800 MLS, 0.720mm AD5810 MLS, 0.820mm, 1 Hole AD5820 MLS, 0.920mm, 2 Holes	CD5820 ▲	FD5820 ▲	HBS353 ☒ M10x1.25x119.00mm (x10)	JD5411 ■ JD5413 ■ MLS	JM5259 (Steel Elastomer)	HR791 ■	
--	----------	----------	-------------------------------------	-----------------------------	-----------------------------	---------	--



AD5800 AD5810 AD5820

33	69.60	Diesel					
223 A9.000	4 Cyl.	17.6:1	1248cc	62kW (84)PS	Turbo Intercooled	TD20243	783
	.KIT		KIT				
		CAM711	CAM712			FOL187 (x16)	

AD5800 MLS, 0.720mm	AD5810 MLS, 0.820mm, 1 Hole	AD5820 MLS, 0.920mm, 2 Holes	CD5820	FD5820	HBS353 M10x1.25x119.00mm (x10)	JD5411 JD5413 MLS	JM5259 (Steel Elastomer)	HR791
AD5800	AD5810	AD5820						

34	70.00	Petrol				
146 E1.011	4 Cyl.	11.65:1	999cc	47-56kW (64-76)PS	TD25023	792
178 B9.033	4 Cyl.	9.6:1	1108cc	40kW (54)PS	TD26111	788
178 D9.011	4 Cyl.	10.8:1	999cc	40-52kW (54-71)PS	TD25000	

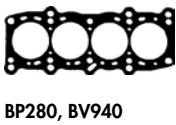
							NA5053 30.00x42.00x7.00mm FPM

35	70.00	Petrol				
156 A2.000	4 Cyl.	9.5:1	999cc	33-37kW (45-50)PS	TD4592	793
156 A2.100	4 Cyl.	9:1	999cc	32kW (44)PS	TD4593	795
156 A2.246	4 Cyl.	9.5:1	999cc	33kW (45)PS	TD5423	785
156 C.000	4 Cyl.	9:1	1108cc	42kW (57)PS	TD1854	785
156 C.046	4 Cyl.	9:1	1108cc	37-40kW (50-54)PS	TD4597	785

	.KIT		KIT				
TB129 104x15	TBK006 Component No: TB129; AE1008TP						

V91288 30.50 x 7.00 x 97.00	7 666 228	MB	45°	H	VAG50895 46.00 x 7.04 x 13.03		
V91289 27.50 x 7.00 x 97.50	7 666 227	MD	45°		VAG92364 42.50 x 7.00 x 13.07		

BP280 Fibre Composite, 1.650mm	BV940 Fibre Composite, 2.000mm	DV675	GP282	HBS052 M9x1.25x95.00mm (x10)	JD148 JD5375 JF145 MLS	JN667	HR599	NA5053 30.00x42.00x7.00mm FPM



BP280, BV940







36

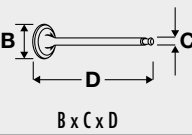
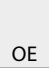



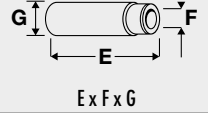
 70.00






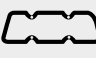


Petrol

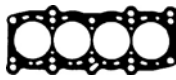


156 A2.048	4 Cyl.	9.2:1	999cc	32kW (44)PS	TD992	790
156 A2.100	4 Cyl.	9:1	999cc	32-33kW (44-45)PS	TD4387	793
156 A2.246	4 Cyl.	9.5:1	999cc	33kW (45)PS	TD994	785
156 A3.100	4 Cyl.	9.5:1	999cc	32-33kW (44-45)PS	TD4386	790
176 A6.000	4 Cyl.	9.6:1	1108cc	40kW (54)PS	TD1036	787

					
TB129 104x15 Eng.→9042883	TBK006 Eng.→9042883 Component No: TB129; AE1008TP				FOL126 (x8) [6]
TB676 125x15 Eng.9042884→	TBK314 Eng.9042884→ Component No: TB676; AE1008TP				
[6] Mechanical	[6] Mécanique	[6] Meccanico	[6] Mecánico		

					
V91288 ■ 30.50 x 7.00 x 97.00	7 666 228	MB	45°	H	VAG50895 ■ ■ ■ 46.00 x 7.04 x 13.03
V91289 ■ 27.50 x 7.00 x 97.50	7 666 227	MD	45°		VAG92364 ■ ■ ■ 42.50 x 7.00 x 13.07

							
BP280 Fibre Composite, 1.650mm BV940 Fibre Composite, 2.000mm	DV675	GP282	HBS052 ① M9x1.25x95.00mm (x10)	JD148 ■ JD5375 ■ ■ JF145 MLS	JN667	HR599 ■	NA5053 30.00x42.00x7.00mm FPM



BP280, BV940







37

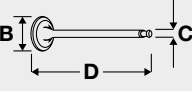
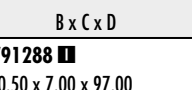

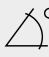







 70.00






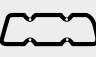



Petrol



156 A3.000	4 Cyl.	9.8:1	999cc	37kW (50)PS	TD16209	793
156 C.046	4 Cyl.	9.6:1	1108cc	37-43kW (50-58)PS	TD4389	785
160 A3.000	4 Cyl.	9.6:1	1108cc	41-42kW (56-57)PS	TD10189	786

					
TB129 104x15 Eng.→9042883	TBK006 Eng.→9042883 Component No: TB129; AE1008TP				
TB676 125x15 Eng.9042884→	TBK314 Eng.9042884→ Component No: TB676; AE1008TP				

						
B x C x D	OE	MAT.	45°	H	E x F x G	
V91288 ■	7 666 228		45°		VAG50895 ■ ■	
30.50 x 7.00 x 97.00					46.00 x 7.04 x 13.03	
V91289 ■	7 666 227		45°		VAG92364 ■ ■	
27.50 x 7.00 x 97.50					42.50 x 7.00 x 13.07	

							
BP280 Fibre Composite, 1.650mm BV940 Fibre Composite, 2.000mm	DV675	GP282	HBS052 ① M9x1.25x95.00mm (x10)	JD148 ■ JD5375 ■  JF145 MLS	JN667	HR599 ■	NA5053 30.00x42.00x7.00mm FPM



BP280, BV940



176 B2.000

4 Cyl.

9.6:1

1108cc

40kW (54)PS

TD4396

787

TB129 104x15 →11/96 TB676 125x15 12/96→, Eng.9042884→	TBK006 →11/96 Component No: TB129; AE1008TP TBK314 12/96→ Eng.9042884→ Component No: TB676; AE1008TP		KIT		FOL126 (x8) [6]

[6] Mechanical

[6] Mécanique

[6] Meccanico

[6] Mecánico

B x C x D	E x F x G
OE	
MAT.	
V91929 ■ 31.50 x 7.00 x 97.00	VAG50895 ■ ■ ■ 46.00 x 7.04 x 13.03
V91289 ■ 27.50 x 7.00 x 97.50	VAG92364 ■ ■ ■ 42.50 x 7.00 x 13.07
V94216 ■ 27.40 x 7.00 x 97.20	
7 770 334	
7 666 227	
46 514 754	
MB	
MD	
MD cr	
45°	
45°	
45° ss	
H	

BP280 Fibre Composite, 1.650mm BV940 Fibre Composite, 2.000mm	DV675	GP282	HBS052 ① M9x1.25x95.00mm (x10)	JD148 ■ JD5375 ■ JF145 MLS	JN667	HR599 ■	NA5053 30.00x42.00x7.00mm FPM



BP280, BV940

39

 **70.00**

Petrol



176 B2.000

4 Cyl.

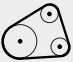





9.6:1

1108cc

40kW (54)PS

TD11847

787

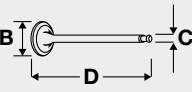

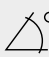


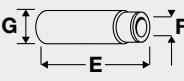



					
TB129 104x15 Eng.→9042883 TB676 125x15 Eng.9042884→	TBK006 Eng.→9042883 Component No: TB129; AE1008TP TBK314 Eng.9042884→ Component No: TB676; AE1008TP		KIT		FOL126 (x8) [6]






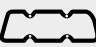

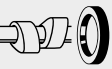
[6] Mechanical

[6] Mécanique

[6] Meccanico

[6] Mecánico

						
B x C x D	OE	MAT.				E x F x G
V91929 ■■ 31.50 x 7.00 x 97.00	7 770 334	 MB	45°		H	VAG50895 ■■ ■ 46.00 x 7.04 x 13.03
V91289 ■ 27.50 x 7.00 x 97.50	7 666 227	 MD	45°			VAG92364 ■■ ■ 42.50 x 7.00 x 13.07
V94216 ■ 27.40 x 7.00 x 97.20	46 514 754	 MD cr	45°	ss		

							
BP280 Fibre Composite, 1.650mm BV940 Fibre Composite, 2.000mm	DV675	GP285	HBS052 ① M9x1.25x95.00mm (x10)	JD148 ■ JD5375 ■ JF145 ■ MLS	JN667	HR599 ■	NA5053 30.00x42.00x7.00mm FPM



BP280, BV940









TB129 104x15 Eng.→9042883 TB676 125x15 Eng.9042884→	TBK006 Eng.→9042883 Component No: TB129; AE1008TP TBK314 Eng.→9042884 Component No: TB676; AE1008TP				

	OE	MAT.			
B x C x D			45°	H	E x F x G
V91288 ■ 30.50 x 7.00 x 97.00 Eng.→2533527	7 666 228		45°	H	 VAG50895 ■ ■ ■ 46.00 x 7.04 x 13.03 Eng.→2533527
V98020 ■ 31.90 x 5.00 x 98.40 Eng.2533528→	55 194 993		45°		 VAG92364 ■ ■ ■ 42.50 x 7.00 x 13.07 Eng.→2533527
V91289 ■ 27.50 x 7.00 x 97.50 Eng.→2533527	7 666 227		45°		
V98021 ■ 27.30 x 5.00 x 98.70 Eng.2533528→	55 194 994		45°		

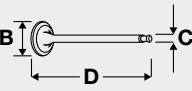

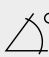

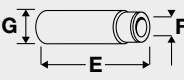
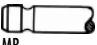

BP280 Fibre Composite, 1.650mm BV940 Fibre Composite, 2.000mm	DP286 →Eng.2543171	GP282 GP286	HBS052 ① M9x1.25x95.00mm (x10)	JA5010 ■ JD5375 ■ JF145 MLS	JM5019 (Elastomer)	HR599 ■	NA5053 30.00x42.00x7.00mm FPM






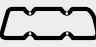

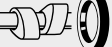


BP280, BV940

41	 70.00	Petrol				
141 C2.000	4 Cyl.	999cc	31-33kW (42-45)PS	TD1070	790	
						
TB129 104x15 Eng.→9042883	TBK006 Eng.→9042883 Component No: TB129; AE1008TP					FOL151 (x8) [6]
TB676 125x15 Eng.9042884→	TBK314 Eng.9042884→ Component No: TB676; AE1008TP					








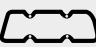
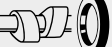
[6] Mechanical [6] Mécanique [6] Meccanico [6] Mecánico

 B x C x D	OE	 MAT.	 45°	 H	 E x F x G
V91929 ■ 31.50 x 7.00 x 97.00	7 770 334	 MB	45°		
V91289 ■ 27.50 x 7.00 x 97.50	7 666 227	 MD	45°		

							
BP280 Fibre Composite, 1.650mm BV940 Fibre Composite, 2.000mm	DV675	GP282	HBS052 ⊕ M9x1.25x95.00mm (x10)	JD148 ■ JD5375 ■ JF145 MLS	JN667	HR599 ■	NA5053 30.00x42.00x7.00mm FPM



BP280, BV940

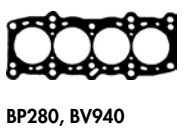
42	 70.00	Petrol				
146 B4.000	4 Cyl.	9.8:1	999cc	31-35kW (42-48)PS	TD18820	791
						
					HR599 ■	

FIAT GROUP

43	70.00	Petrol						
156 A2.000	4 Cyl.	9.5:1	999cc	31-37kW (42-50)PS			TD16230	793

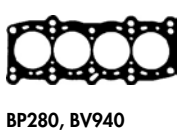
 B x C x D OE V91288 ■ 30.50 x 7.00 x 97.00 V91289 ■ 27.50 x 7.00 x 97.50	MAT. 45° H 45°	 E x F x G VAG50895 ■ ■ 46.00 x 7.04 x 13.03 VAG92364 ■ ■ 42.50 x 7.00 x 13.07
---	-----------------------------	---

BP280 Fibre Composite, 1.650mm BV940 Fibre Composite, 2.000mm	DV675	GP282	HBS052 ① M9x1.25x95.00mm (x10)	JD148 ■ JD5375 ■ ● JF145 MLS	JN667	HR599 ■	NA5053 30.00x42.00x7.00mm FPM



44	70.00	Petrol						
156 A2.048	4 Cyl.	9.2:1	999cc	32kW (44)PS			TD1782	790
156 A2.146	4 Cyl.	9.5:1	999cc	33kW (45)PS			TD4594	790
156 A2.146	4 Cyl.	9.5:1	999cc	33kW (45)PS			TD993	790

BP280 Fibre Composite, 1.650mm BV940 Fibre Composite, 2.000mm	DV675	GP282	HBS052 ① M9x1.25x95.00mm (x10)	JD148 ■ JD5375 ■ ● JF145 MLS	JN667	HR599 ■	NA5053 30.00x42.00x7.00mm FPM



45

 70.80

Petrol



169 A4.000

4 Cyl.







11.1:1

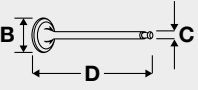
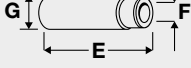
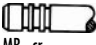

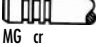
1242cc





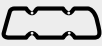
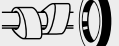


51kW (69)PS

TD20928

797

					
TB787 129x22					


		
B x C x D	OE	E x F x G
V98022 	55 194 219	 45°
33.30 x 5.00 x 99.90		
V98023 	55 200 422	45°
28.10 x 5.00 x 100.50		

					
AG7380 MLS	CG7380	HBS052 	HA5053 	JM7099 Soft Material Gasket	NA5058 40.00x55.00x7.00mm FPM



AG7380

46

 70.80

Petrol



169 A4.000

4 Cyl.





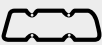
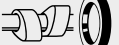


11.1:1

1242cc

49-51kW (67-69)PS

TD25192

797

					
AG7380 MLS	CG7380	HBS052 	HA5053 	JM7099 Soft Material Gasket	NA5058 40.00x55.00x7.00mm FPM



AG7380

176 A7.000

4 Cyl.

9.6:1

1242cc

43-44kW (58-60)PS

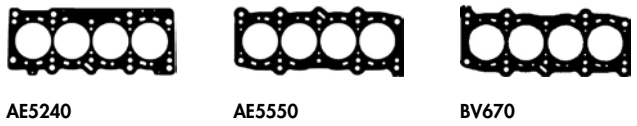
TD1037

798

TB660 108x15 Eng.→9042883 TB649 129x15 Eng.9042884→	TBK085 Eng.→9042883 Component No: TB660; AE1008TP TBK277 Eng.9042884→ Component No: TB649; AE1008TP				

B x C x D OE MAT. H	E x F x G VAG50895 46.00 x 7.04 x 13.03 VAG92364 42.50 x 7.00 x 13.07
V91288 30.50 x 7.00 x 97.00 V91289 27.50 x 7.00 x 97.50	7 666 228 MB 7 666 227 MD

AE5240 MLS BV670 Fibre Composite, 1.650mm AE5550 Fibre Composite, 1.850mm	DV675	HBS052 M9x1.25x95.00mm (x10)	JD148 JD5375 (x2) JF145 MLS	JN667	HR599	NA5053 30.00x42.00x7.00mm FPM



AE5240

AE5550

BV670

48

70.80

Petrol



176 A8.000

4 Cyl.

9.8:1

1242cc

54kW (73)PS

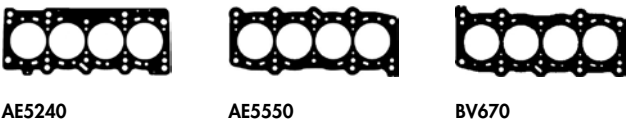
TD1038

799

TB660 108x15 Eng.→9042883	TBK085 Eng.→9042883 Component No: TB660; AE1008TP	TB649 129x15 Eng.9042884→	TBK277 Eng.9042884→ Component No: TB649; AE1008TP		

V91929 ■ 31.50 x 7.00 x 97.00	V91289 ■ 27.50 x 7.00 x 97.50	VAG50895 ■ ■ 46.00 x 7.04 x 13.03	VAG92364 ■ ■ 42.50 x 7.00 x 13.07

AE5240 MLS BV670 Fibre Composite, 1.650mm AE5550 Fibre Composite, 1.850mm	DV675		HBS052 ⊕ M9x1.25x95.00mm (x10)	JD150 ■ JD5375 ■ JF145 MLS	JN667	HR599 ■			NA5053 30.00x42.00x7.00mm FPM





176 B1.000

4 Cyl.

10.2:1

1242cc

44kW (60)PS

TD1032

800

TB660 108x15 Eng.→9042883	TBK085 Eng.→9042883 Component No: TB660; AE1008TP		KIT		FOL126 (x8) [6]
TB649 129x15 Eng.9042884→	TBK277 Eng.9042884→ Component No: TB649; AE1008TP				

[6] Mechanical

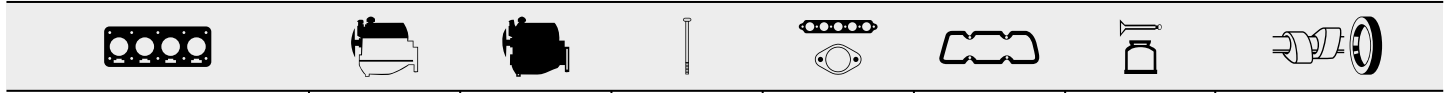
[6] Mécanique

[6] Meccanico

[6] Mecánico

B x C x D	E x F x G

V91929 ■ 31.50 x 7.00 x 97.00	7 770 334		45°	H	VAG50895 ■ ■ ■ 46.00 x 7.04 x 13.03	
V91289 ■ 27.50 x 7.00 x 97.50	7 666 227		45°		VAG92364 ■ ■ ■ 42.50 x 7.00 x 13.07	



AE5240 MLS BV670 Fibre Composite, 1.650mm AE5550 Fibre Composite, 1.850mm	DV675	HBS052 ⊕ M9x1.25x95.00mm (x10)	JD150 ■ JD5375 ■ ⊕ JF145 MLS	JN667	HR599 ■	NA5053 30.00x42.00x7.00mm FPM
--	--------------	--	--	--------------	----------------	---



AE5240



AE5550



BV670

50

 **70.80**

Petrol



176 B4.000

4 Cyl.







9.8:1

1242cc

44kW (60)PS

TD1076

799

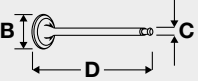
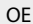



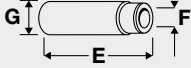


					
TB660 108x15 Eng.→9042883 TB649 129x15 Eng.9042884→	TBK085 Eng.→9042883 Component No: TB660; AE1008TP TBK277 Eng.9042884→ Component No: TB649; AE1008TP		KIT		FOL126 (x8) [6]






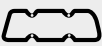

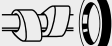
[6] Mechanical

[6] Mécanique

[6] Meccanico

[6] Mecánico

					
V91288 ■ 30.50 x 7.00 x 97.00	7 666 228		45°	H	VAG50895 ■ ■ 46.00 x 7.04 x 13.03
V91289 ■ 27.50 x 7.00 x 97.50	7 666 227		45°		VAG92364 ■ ■ 42.50 x 7.00 x 13.07

							
AE5240 MLS BV670 Fibre Composite, 1.650mm AE5550 Fibre Composite, 1.850mm	DV675	HBS052 ⊕ M9x1.25x95.00mm (x10)	JD150 ■ JD5375 ■ JF145 MLS	JN667	HR599 ■	NA5053 30.00x42.00x7.00mm FPM	



AE5240



AE5550



BV670

FIAT GROUP

51

70.80

Petrol



176 B9.000

4 Cyl.

10.2:1

1242cc

63kW (86)PS

TD11849

802

TB637 124x22 →07/00	TBK313 →07/00 Component No: TB637; AE1101TP		KIT		FOL168 (x16)

B x C x D	E x F x G
V94029 ■ 26.90 x 6.00 x 95.20	VAG96272 ■ ■ ■ 39.70 x 6.02 x 10.03
V94030 ■ 22.50 x 6.00 x 96.20	

AD5830 MLS BY380 Fibre Composite, 1.650mm	DY382 →Eng.0616937 CE5180 Eng.0616937→	GY383 →Eng.0616937	HBS247 ☒ M9x1.25x87.00mm (x10)	JD464 ■ JD465 ■ ○ JF184	JM5176 [4]	HR814 ■	NA5058 40.00x55.00x7.00mm FPM
AD5830 [4] Specification: LEM	BY380 [4] Spécification: LEM	[4] Spécification: LEM	[4] Especificación: LEM				

52

70.80

Petrol



176 B9.000

4 Cyl.

10.2:1

1242cc

63kW (86)PS

TD9727

801

TB637 124x22	TBK313 Component No: TB637; AE1101TP		KIT		FOL123 (x16)

B x C x D	E x F x G
V94029 ■ 26.90 x 6.00 x 95.20	VAG96272 ■ ■ ■ 39.70 x 6.02 x 10.03
V94030 ■ 22.50 x 6.00 x 96.20	

AD5830 MLS BY380 Fibre Composite, 1.650mm	DY382 →Eng.0616936 CE5180 Eng.0616937→	GY383 →Eng.0616937	HBS247 ☒ M9x1.25x87.00mm (x10)	JD464 ■ JD465 ■ ○ JF184	JM5176 [4]	HR814 ■	NA5058 40.00x55.00x7.00mm FPM
AD5830 [4] Specification: LEM	BY380 [4] Spécification: LEM	[4] Spécification: LEM	[4] Especificación: LEM				

53

70.80

Petrol



178 B5.000

4 Cyl.

9.8:1

1242cc

50-55kW (68-75)PS

TD10188

803

TB660 108x15 Eng.→9042883 TB649 129x15 Eng.9042884→	TBK085 Eng.→9042883 Component No: TB660; AE1008TP TBK277 Eng.9042884→ Component No: TB649; AE1008TP			FOL126 (x8) [6]

[6] Mechanical

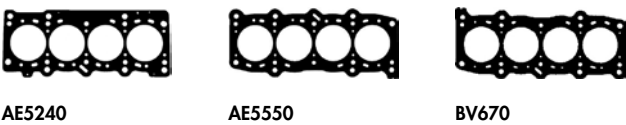
[6] Mécanique

[6] Meccanico

[6] Mecánico

V94029 ■ 26.90 x 6.00 x 95.20 V94030 ■ 22.50 x 6.00 x 96.20	46 403 681 46 471 639	MB MD cr	45° 45°	H	VAG96272 ■ ■ ■ 39.70 x 6.02 x 10.03

BV670 Fibre Composite, 1.650mm →08/03 AE5550 Fibre Composite, 1.850mm →08/03 AE5240 MLS 09/03→	DV675	FE5240	HBS052 ⊕ M9x1.25x95.00mm (x10)	JD150 ■ JD5375 ■ (x2) JF145 MLS	JN667 →11/99 JM5019 (Elastomer) 12/99→	HR599 ■	NA5053 30.00x42.00x7.00mm FPM



AE5240

AE5550

BV670

54

70.80

Petrol



178 B7.045

4 Cyl.

1242cc

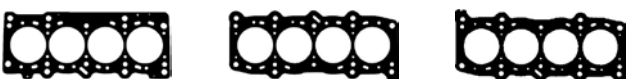
44-60kW (60-82)PS

TD18895

804

TB649 129x15 Eng.→2533528 TB787 129x22 Eng.2533529→	TBK277 Eng.→2533528 Component No: TB649; AE1008TP			

BV670 Fibre Composite, 1.650mm →08/03 AE5550 Fibre Composite, 1.850mm →08/03 AE5240 MLS 09/03→	DV675	FE5240	HBS052 ⊕ M9x1.25x95.00mm (x10)	JD150 ■ JD5375 ■ (x2) JF145 MLS	JN667 →11/99 JM5019 (Elastomer) 12/99→06/02	HR599 ■	NA5053 30.00x42.00x7.00mm FPM →Eng.2935743



AE5240

AE5550

BV670

FIAT GROUP

55

70.80

Petrol



178 C4.066

4 Cyl.

1242cc

44-46kW (60-63)PS

TD20237

804

TB649 129x15 Eng.→2533528	TBK277 Eng.→2533528 Component No: TB649; AE1008TP				
TB787 129x22 Eng.2533529→					

BV670 Fibre Composite, 1.650mm →08/03 AE5550 Fibre Composite, 1.850mm →08/03 AE5240 MLS 09/03→	DV672 DV675 CE5242 Eng.2939661→	FE5240	HBS052 Ⓢ M9x1.25x95.00mm (x10)	JD150 ■ JD5375 ■ (x2) JF145 MLS	JN667 →11/99 JM5019 (Elastomer) 12/99→	HR599 ■	NA5053 30.00x42.00x7.00mm FPM →Eng.2935743
AE5240	AE5550	BV670					

56

70.80

Petrol



178 E2.000

4 Cyl.

9.8:1

1242cc

50-54kW (68-73)PS

TD16737

805

TB660 108x15 Eng.→9042883	TBK085 Eng.→9042883 Component No: TB660; AE1008TP				
TB649 129x15 Eng.9042884→	TBK277 Eng.9042884→ Component No: TB649; AE1008TP				

B x C x D	E x F x G
V91929 ■ 31.50 x 7.00 x 97.00	VAG50895 ■ ■ 46.00 x 7.04 x 13.03
V91289 ■ 27.50 x 7.00 x 97.50	VAG92364 ■ ■ 42.50 x 7.00 x 13.07
7 770 334	
7 666 227	
OE	MAT.
MD	

BV670 Fibre Composite, 1.650mm AE5550 Fibre Composite, 1.850mm	DV675	FE5240	HBS052 Ⓢ M9x1.25x95.00mm (x10)	JD150 ■ JD5375 ■ JF145 MLS	JN667 →11/99 JM5019 (Elastomer) 12/99→06/02	HR599 ■	NA5053 30.00x42.00x7.00mm FPM
AE5550	BV670						

57

70.80

Petrol



182 B2.000

4 Cyl.

1242cc

60-64kW (82-87)PS

TD11807

807

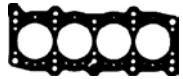
TB637 124x22	TBK313 Component No: TB637; AE1101TP		KIT		

B x C x D	E x F x G
V94029 ■ 26.90 x 6.00 x 95.20	VAG96272 ■ ■ ■ 39.70 x 6.02 x 10.03
V94030 ■ 22.50 x 6.00 x 96.20	

BY380 Fibre Composite, 1.650mm →Eng.0616937	DY382 →Eng.0616937	GY383	HBS247 ☉ M9x1.25x87.00mm (x10)	JD464 ■ JD465 ■ ■ JF184	JM5176 [4]	HR814 ■	NA5058 40.00x55.00x7.00mm FPM
AD5830 MLS Eng.0616938 →	CE5180 Eng.0616938 →						



AD5830
[4] Specification: LEM



BY380
[4] Spécification: LEM

[4] Specificazione: LEM

[4] Especificación: LEM



188 A4.000

4 Cyl.

9.5:1

1242cc

44kW (60)PS

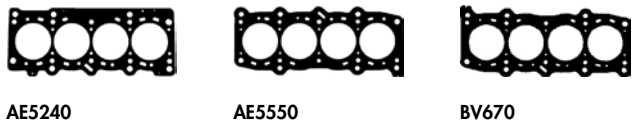
TD12790

809

TB649 129x15 Eng.→2533528 TB787 129x22 Eng.2533529→	TBK277 Eng.→2533528 Component No: TB649; AE1008TP				FOL126 (x8) [6]
[6] Mechanical	[6] Mécanique	[6] Meccanico	[6] Mecánico		

<p>V91929 ■ ■ 31.50 x 7.00 x 97.00 Eng.→2533527</p> <p>V98020 ■ ■ 31.90 x 5.00 x 98.40 Eng.2533528→</p> <p>V91289 ■ ■ 27.50 x 7.00 x 97.50 Eng.→2533527</p> <p>V98021 ■ ■ 27.30 x 5.00 x 98.70 Eng.2533528→</p>	<p>VAG92364 ■ ■ ■ ■ 42.50 x 7.00 x 13.07</p> <p>VAG96273 ■ ■ ■ ■ 40.00 x 7.02 x 13.06</p>
<p>B x C x D</p> <p>OE</p> <p>MAT.</p> <p>45°</p> <p>H</p>	<p>E x F x G</p>

BV670 Fibre Composite, 1.650mm →08/03	DV672 →Eng.1890665	FE5240	HBS052 Ⓢ M9x1.25x95.00mm (x10)	JA5010 ■ ■ JD5375 ■ ■ JF145 MLS	JM5019 (Elastomer) →Eng.2939661	HR800 ■ ■	NA5053 30.00x42.00x7.00mm FPM →Eng.2939600
AE5550 Fibre Composite, 1.850mm →08/03	CE5241 Eng.2533528→ →Eng.2935742, 2939660				JM7099 Soft Material Gasket Eng.2939662→		
AE5240 MLS 09/03→	CE5242 Eng.2939662→						



AE5240 AE5550 BV670

59

70.80

Petrol



188 A4.000

4 Cyl.

10.6:1

1242cc

44kW (60)PS

TD15501

808

TB649 129x15 Eng.→2533528 TB787 129x22 Eng.2533529→	TBK277 Eng.→2533528 Component No: TB649; AE1008TP		KIT		FOL126 (x8) [6]

[6] Mechanical

[6] Mécanique

[6] Meccanico

[6] Mecánico

	OE	MAT.			
V91929 ■ 31.50 x 7.00 x 97.00 Eng.→2533527	7 770 334		45°	H	VAG92364 ■ ■ 42.50 x 7.00 x 13.07
V98020 ■ 31.90 x 5.00 x 98.40 Eng.2533528→	55 194 993		45°		VAG96273 ■ ■ 40.00 x 7.02 x 13.06
V91289 ■ 27.50 x 7.00 x 97.50 Eng.→2533527	7 666 227		45°		
V98021 ■ 27.30 x 5.00 x 98.70 Eng.2533528→	55 194 994		45°		

BV670 Fibre Composite, 1.650mm →08/03	DV672 →Eng.1890665	HBS052 ⊕ M9x1.25x95.00mm (x10)	JA5010 ■ JD5375 ■	JM5019 (Elastomer) JM7099 Soft Material Gasket Eng.2935743→	HR599 ■	NA5053 30.00x42.00x7.00mm FPM
AE5550 Fibre Composite, 1.850mm →08/03	CG7381 Eng.1890666→ →Eng.2533528					
AE5240 MLS 09/03→	CE5241 Eng.2533529→ →Eng.2939661					
	CE5242 Eng.2939662→					



AE5240



AE5550



BV670

TB637 124x22	TBK313 Component No: TB637; AE1101TP	CAM713 ■ CAM714 ■		FOL168 (x16)

	OE	MAT.			
B x C x D					E x F x G
V94029 ■ 26.90 x 6.00 x 95.20 Eng.→985540	46 403 681	 MB	45°	H	VAG96272 ■ ■ ■ 39.70 x 6.02 x 10.03
V98026 ■ 26.80 x 6.00 x 95.20 Eng.985541 →	55 185 028	 MB cr	45°		
V94030 ■ 22.50 x 6.00 x 96.20 Eng.→985540	46 471 639	 MD cr	45°		
V98027 ■ 22.50 x 6.00 x 94.70 Eng.985541 →	55 185 080	 ME cr	45°		

AD5830 MLS →07/04 BY380 Fibre Composite, 1.650mm →Eng.0616937 AG7310 MLS 05/06 →	DY383 →Eng.0616937 CE5181 Eng.0616937 → CG7310 05/06 →	GY383 →Eng.0616937	HBS247 ☒ M9x1.25x87.00mm (x10)	JA5005 ■ (Elastomer) JA5006 ■	JM5176 [4]	HR814 ■	NA5058 40.00x55.00x7.00mm FPM



AD5830
[4] Specification: LEM



AG7310
[4] Spécification: LEM



BY380
[4] Specificazione: LEM

[4] Especificación: LEM

61

 70.80

Petrol



188 A5.000 Euro 3 (D3)

4 Cyl.







10.6:1

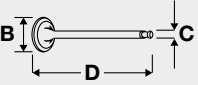
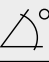


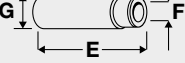

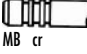
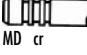
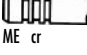
1242cc






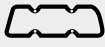


59kW (80)PS

TD15500

811

					
TB637 124x22	TBK313 Component No: TB637; AE1101TP	CAM713 ■ CAM714 ■			FOL168 (x16)

 B x C x D	OE	MAT.				 E x F x G
V94029 ■ 26.90 x 6.00 x 95.20 Eng.→985540	46 403 681	 MB	45°	H		VAG96272 ■ ■ ■ 39.70 x 6.02 x 10.03
V98026 ■ 26.80 x 6.00 x 95.20 Eng.985541 →	55 185 028	 MB cr	45°			
V94030 ■ 22.50 x 6.00 x 96.20 Eng.→985540	46 471 639	 MD cr	45°			
V98027 ■ 22.50 x 6.00 x 94.70 Eng.985541 →	55 185 080	 ME cr	45°			

							
BY380 Fibre Composite, 1.650mm →Eng.0616937 AD5830 MLS Eng.0616937 →	DY383 →Eng.0613937 CE5181 Eng.0616937 →	GY383 →Eng.0616937	HBS247 Ⓢ M9x1.25x87.00mm (x10)	JA5005 ■ (Elastomer) JA5006 ■	JM5176 [4]	HR814 ■	NA5058 40.00x55.00x7.00mm FPM



AD5830
[4] Specification: LEM



BY380
[4] Spécification: LEM

[4] Specificazione: LEM

[4] Especificación: LEM

62

 **70.80**

Petrol



199 A4.000 Euro 4 (D4)

4 Cyl.







11:1

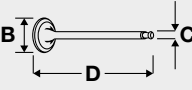
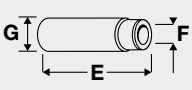
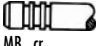
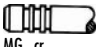
1242cc

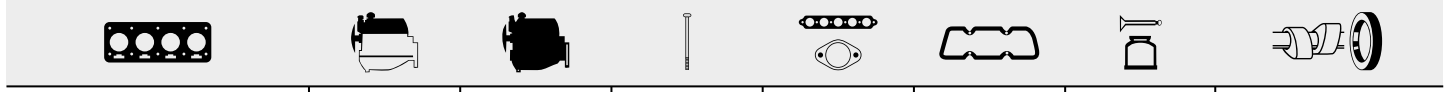
48-51kW (65-69)PS

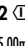
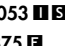

TD20242

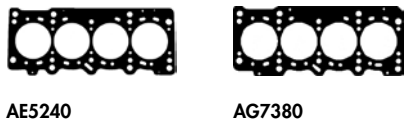
797

					
TB787 129x22					

	
B x C x D	E x F x G
V98022 	45°
33.30 x 5.00 x 99.90	
V98023 	45°
28.10 x 5.00 x 100.50	



AE5240 <small>MLS</small> AG7380 <small>MLS</small>	CE5242	HBS052  M9x1.25x95.00mm (x10)	HA5053  JD5375 	JM7099 Soft Material Gasket	NA5053 30.00x42.00x7.00mm FPM
--	---------------	--	--	---------------------------------------	---



AE5240 **AG7380**

63

70.80

Petrol



223 A5.000

4 Cyl.

9.8:1

1242cc

48kW (65)PS

TD15828

805

TB649 129x15 Eng.→2533528 TB787 129x22 Eng.2533529→	TBK277 Eng.→2533528 Component No: TB649; AE1008TP		KIT		FOL126 (x8) [6]
[6] Mechanical	[6] Mécanique	[6] Meccanico	[6] Mecánico		

B x C x D	E x F x G
OE	MAT.
V91929 ■ ■ ■ 31.50 x 7.00 x 97.00 Eng.→2533527	7 770 334 45° H
V98020 ■ ■ ■ 31.90 x 5.00 x 98.40 Eng.2533528→	55 194 993 45°
V91289 ■ ■ ■ 27.50 x 7.00 x 97.50 Eng.→2533527	7 666 227 45°
V98021 ■ ■ ■ 27.30 x 5.00 x 98.70 Eng.2533528→	55 194 994 45°
	VAG92364 ■ ■ ■ 42.50 x 7.00 x 13.07 VAG96273 ■ ■ ■ 40.00 x 7.02 x 13.06

BV670 Fibre Composite, 1.650mm →08/03 AE5550 Fibre Composite, 1.850mm →08/03 AE5240 MLS 09/03→	DV672 →08/03 CE5241 Eng.2533528→ CG7381 09/03→ →Eng.2533527	FE5240 09/03→	HBS052 Ⓢ M9x1.25x95.00mm (x10)	JA5010 ■ ■ ■ JD5375 ■ ■ ■ (x2)	JM5019 (Elastomer)	HR599 ■ ■ ■ →08/03	NA5053 30.00x42.00x7.00mm FPM
AE5240	AE5550	BV670					

FIAT GROUP

64	70.80	Petrol				
840 A3.000	4 Cyl.	9.8:1	1242cc	44kW (60)PS	TD1839	798
TB660 108x15	TBK085 Component No: TB660; AE1008TP		KIT			

B x C x D	E x F x G
V91288 ■ 30.50 x 7.00 x 97.00	VAG50895 ■ ■ 46.00 x 7.04 x 13.03
V91289 ■ 27.50 x 7.00 x 97.50	VAG92364 ■ ■ 42.50 x 7.00 x 13.07

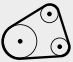





BV670 Fibre Composite, 1.650mm	DV672	HB5052 Ⓢ M9x1.25x95.00mm (x10)	JA5010 ■ JD5375 ■	JN667	HR599 ■	NA5053 30.00x42.00x7.00mm FPM
AE5550	BV670					

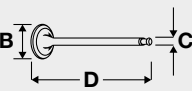
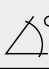

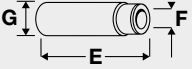

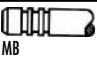


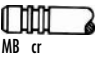

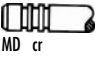

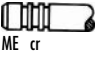
65	72.00	Petrol				
169 A3.000	4 Cyl.	1368cc	74kW (100)PS	TD20277	813	
TB637 124x22	TBK313 Component No: TB637; AE1101TP		KIT			
AG6220 MLS	CG6220	HB5247 Ⓢ M9x1.25x87.00mm (x10)	JA5006 ■	JM5176 [4]	NA5058 40.00x55.00x7.00mm FPM	NA5058 40.00x55.00x7.00mm FPM






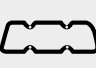

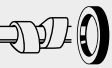
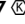


AG6220	[4] Specification: LEM	[4] Spécification: LEM	[4] Specificazione: LEM	[4] Especificación: LEM
---------------	------------------------	------------------------	-------------------------	-------------------------

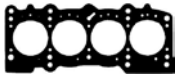

66  **72.00** **Petrol** 

192 B2.000 4 Cyl. 11:1 1368cc **66kW (90)PS** **TD18571** **813**

					
TB637 124x22	TBK313 Component No: TB637; AE1101TP		KIT		






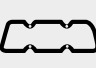

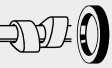
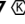


	OE	MAT.			
B x C x D				H	E x F x G
V94029  26.90 x 6.00 x 95.20 Eng.→984712	46 403 681	 MB	45°		VAG96272  39.70 x 6.02 x 10.03
V98026  26.80 x 6.00 x 95.20 Eng.984713→	55 185 028	 MB cr	45°		
V94030  22.50 x 6.00 x 96.20 Eng.→984712	46 471 639	 MD cr	45°		
V98027  22.50 x 6.00 x 94.70 Eng.984713→	55 185 080	 ME cr	45°		



							
AG6220 MLS →04/06	CG6220 →04/06	CG7310 05/06→	HBS247  M9x1.25x87.00mm (x10)	HA5053  JA5006 	JM5176 [4]	NA5058 40.00x55.00x7.00mm FPM	



						
AG6220 [4] Specification: LEM	AG7310 [4] Spécification: LEM		[4] Specificazione: LEM		[4] Especificación: LEM	






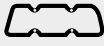




67  **72.00** **Petrol** 

192 B2.000 4 Cyl. 11:1 1368cc **66kW (90)PS** **TD20952** **813**

							
AG6220 MLS →04/06	CG6220 →04/06	CG7310 05/06→	HBS247  M9x1.25x87.00mm (x10)	HA5053  JA5006 	JM5176 [4]	NA5058 40.00x55.00x7.00mm FPM	



						
AG6220 [4] Specification: LEM	AG7310 [4] Spécification: LEM		[4] Specificazione: LEM		[4] Especificación: LEM	





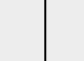


68		 72.00		Petrol				
198 A1.000	4 Cyl.	9.6:1	1368cc	110kW (150)PS	Turbocharged	TD21041	816	
198 A1.000	4 Cyl.		1368cc	110kW (150)PS	Turbocharged	TD23452	815	
198 A4.000	4 Cyl.	9.8:1	1368cc	88kW (120)PS	Turbo Intercooled	TD23921	815	
198 A7.000	4 Cyl.	9.8:1	1368cc	103kW (140)PS	Turbocharged	TD24595	815	
198 A7.000	4 Cyl.	9.8:1	1368cc	103kW (140)PS	Turbo Intercooled	TD24646	816	
198 A7.000	4 Cyl.	9.8:1	1368cc	103kW (140)PS	Turbo Intercooled	TD24650	816	
199 A8.000	4 Cyl.	9.8:1	1368cc	114-132kW (155-180)PS	Turbocharged	TD24567	815	
312 A3.000	4 Cyl.	9.8:1	1368cc	103-132kW (140-180)PS	Turbo Intercooled	TD24772	822	






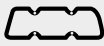




							
AH6510 MLS			HBS247  M9x1.25x87.00mm (x10)		JM5176 [4]	HR814 	NA5058 40.00x55.00x7.00mm FPM



AH6510
 [4] Specification: LEM [4] Spécification: LEM [4] Specificazione: LEM [4] Especificación: LEM



69		 72.00		Petrol				
198 A1.000	4 Cyl.	9.6:1	1368cc	110-112kW (150-152)PS	Turbocharged	TD21045	815	
198 A4.000	4 Cyl.	9.6:1	1368cc	88kW (120)PS	Turbocharged	TD21046	815	

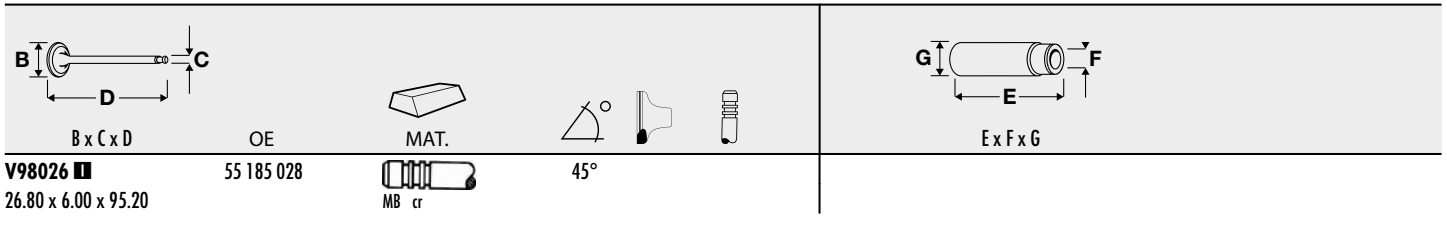
						
TB637 124x22	TBK313 Component No: TB637; AE1101TP		KIT			






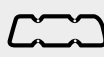

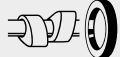

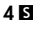
							
AH6510 MLS			HBS247  M9x1.25x87.00mm (x10)		JM5176 [4]	HR814 	NA5058 40.00x55.00x7.00mm FPM



AH6510
 [4] Specification: LEM [4] Spécification: LEM [4] Specificazione: LEM [4] Especificación: LEM



70	 72.00	Petrol					
198 A4.000	4 Cyl.	9.6:1	1368cc	88kW (120)PS	Turbocharged	TD21040	816
199 A8.000	4 Cyl.		1368cc	114kW (155)PS	Turbocharged	TD21700	815






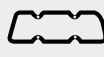

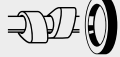


							
AH6510 MLS			HBS247  M9x1.25x87.00mm (x10)		JM5176 [4]	HR814 	NA5058 40.00x55.00x7.00mm FPM





AH6510
 [4] Specification: LEM [4] Spécification: LEM [4] Specificazione: LEM [4] Especificación: LEM






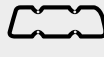

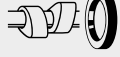


71	 72.00	Petrol				
199 A1.000	4 Cyl.		1368cc	57kW (78)PS	TD25104	817
834 A1.000	4 Cyl.	11:1	1368cc	70kW (95)PS	TD23867	826

							
AG6220 MLS							



AG6220

72	 72.00	Petrol				
199 A6.000	4 Cyl.	11:1	1368cc	70kW (95)PS	TD23447	818

							
AG7310 MLS			HBS247  M9x1.25x87.00mm (x10)		JM5176 [4]	HR814 	NA5058 40.00x55.00x7.00mm FPM



AG7310
 [4] Specification: LEM [4] Spécification: LEM [4] Specificazione: LEM [4] Especificación: LEM

FIAT GROUP

73	72.00	Petrol				
199 A6.000	4 Cyl.	11:1	1368cc	70-71kW (95-97)PS	TD20929	818
TB637 124x22	TBK313 Component No: TB637; AE1101TP		KIT			

B x C x D	E x F x G
V98026	VAG96272
26.80 x 6.00 x 95.20	39.70 x 6.02 x 10.03
V98027	
22.50 x 6.00 x 94.70	

AG7310 MLS		HBS247	JM5176 [4]	HR814	NA5058
		M9x1.25x87.00mm (x10)			40.00x55.00x7.00mm FPM
AG7310					
[4] Specification: LEM	[4] Spécification: LEM	[4] Specificazione: LEM	[4] Especificación: LEM		

74	72.00	Petrol				
199 A7.000	4 Cyl.	11:1	1368cc	55kW (75)PS	TD23572	819
350 A1.000 Euro4/Euro5	4 Cyl.	11.7:1	1368cc	57kW (78)PS	TD26416	825
AG7380 MLS	CG7380	HBS502	HA5053	JM7099	PA5025 (x8)	NA5058
		M9x1.25x95.00mm (x10)	JD5375	Soft Material Gasket		40.00x55.00x7.00mm FPM
AG7380						

75	72.00	Petrol					
312 A1.000	4 Cyl.	9.8:1	1368cc	99-140kW (135-190)PS	Turbo Intercooled	TD21036	821
AH6510 MLS		HBS247	HR814	NA5058			
		M9x1.25x87.00mm (x10)		40.00x55.00x7.00mm FPM			
AH6510							







B x C x D	E x F x G
V98026	VAG96272
26.80 x 6.00 x 95.20	39.70 x 6.02 x 10.03

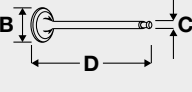
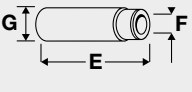
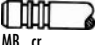
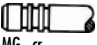
AH6510 MLS		HBS247	HR814	NA5058
		M9x1.25x87.00mm (x10)		40.00x55.00x7.00mm FPM
AH6510				





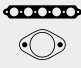
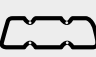

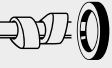
76

 **72.00**
Petrol


350 A1.000	4 Cyl.	11:1	1368cc	55-57kW (75-78)PS	TD20274	825
350 A1.000 Euro4/Euro5	4 Cyl.	11:1	1368cc	51-57kW (69-78)PS	TD20248	825

					
TB787 129x22					

			
B x C x D	OE	MAT.	45°
V98022 ■	55 194 219		45°
33.30 x 5.00 x 99.90		MB cr	
V98023 ■	55 200 422		45°
28.10 x 5.00 x 100.50		MG cr	

							
AG7380 MLS	CG7380	HBS052 ① M9x1.25x95.00mm (x10)	HA5053 ■ ■ ■ JD5375 ■	JM7099 Soft Material Gasket	PA5025 (x8)	NA5058 40.00x55.00x7.00mm FPM	


AG7380

FIAT GROUP

77	72.00	Petrol				
843 A 1.000	4 Cyl.	10.8:1	1368cc	70kW (95)PS	TD17979	813
843 A1.000	4 Cyl.	10.8:1	1368cc	66-70kW (90-95)PS	TD17978	818

TB637 124x22	TBK313 Component No: TB637; AE1101TP				

B x C x D	E x F x G
V94029 ■	VAG96272 ■ ■ ■
26.90 x 6.00 x 95.20 Eng.→984712	39.70 x 6.02 x 10.03
V98026 ■	
26.80 x 6.00 x 95.20 Eng.984713→	
V94030 ■	
22.50 x 6.00 x 96.20 Eng.→984712	
V98027 ■	
22.50 x 6.00 x 94.70 Eng.984713→	

AG6220 MLS →04/06	CG6220 →04/06	HBS247 ☒ M9x1.25x87.00mm (x10)	JA5006 ■	JM5176 [4]	HR814 ■	NA5058 40.00x55.00x7.00mm FPM
AG7310 MLS 05/06→	CG7310 05/06→					



AG6220 [4] Specification: LEM
AG7310 [4] Spécification: LEM
 [4] Specificazione: LEM
 [4] Especificación: LEM



78	72.00	Petrol					
940 A2.000 Euro 5	4 Cyl.	9.8:1	1368cc	125kW (170)PS	Turbo Intercooled	TD23920	820
955 A2.000 Euro 5	4 Cyl.	9.8:1	1368cc	99kW (135)PS		TD24588	821
955 A7.000	4 Cyl.	9.8:1	1368cc	99kW (135)PS	Turbocharged	TD24940	820
955 A8.000 Euro 5	4 Cyl.	9.8:1	1368cc	120kW (163)PS	Turbocharged	TD24589	820






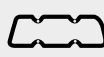

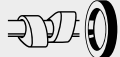


B x C x D	E x F x G
V98026 ■	
26.80 x 6.00 x 95.20	

AH6510 MLS	HBS247 ☒ M9x1.25x87.00mm (x10)	HR814 ■	NA5321 31.00x55.00x7.00mm FPM





AH6510

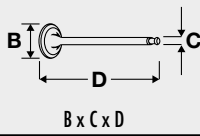

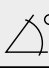

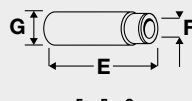

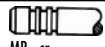
79	 72.00	Petrol					
940 A6.000 Euro 5	4 Cyl.	9.8:1	1368cc	85kW (116)PS	Turbo Intercooled	TD24794	827
955 A1.000	4 Cyl.		1368cc	57-58kW (78-79)PS		TD23448	813
955 A2.000 Euro 5	4 Cyl.	9.8:1	1368cc	99kW (135)PS		TD23576	821
955 A6.000 Euro 5	4 Cyl.	10.8:1	1368cc	77kW (105)PS		TD23577	821
955 A8.000 Euro 5	4 Cyl.	9.8:1	1368cc	120-132kW (163-180)PS	Turbocharged	TD24767	820



							
AH6510 MLS			HBS247  M9x1.25x87.00mm (x10)			HR814 	NA5321 31.00x55.00x7.00mm FPM






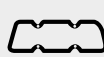

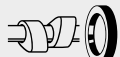
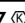



AH6510

80	 72.00	Petrol					
940 B1.000	4 Cyl.		1368cc	77kW (105)PS		TD26994	828



	OE				
B x C x D		MAT.	45°		E x F x G
V98026 	55 185 028				
26.80 x 6.00 x 95.20		MB cr			






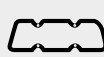

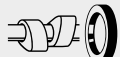
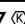
81	 72.00	Petrol					
955 A6.000 Euro 5	4 Cyl.	10.8:1	1368cc	77kW (105)PS		TD24587	821

							
AG7310 MLS			HBS247  M9x1.25x87.00mm (x10)			HR814 	NA5321 31.00x55.00x7.00mm FPM



AG7310

82	 72.00	Petrol					
955 A9.000	4 Cyl.	11.1:1	1368cc	51kW (69)PS		TD26417	829

							
AG7310 MLS			HBS247  M9x1.25x87.00mm (x10)				NA5321 31.00x55.00x7.00mm FPM



AG7310

83	73.50	Petrol				
126 A.000	2 Cyl.	7.5:1	594cc	17kW (23)PS	TD880	831

B x C x D	MAT.	45°	H		E x F x G
V91739	4 294 098				
32.00 x 8.00 x 115.00					

--	--	--	--	--	--	--	--

BD800 Fibre Composite, 1.800mm	CN400	FN402		JA752	JM490 JM674	KG393	
---------------------------------------	--------------	--------------	--	--------------	------------------------------	--------------	--



BD800

84	74.00	Petrol			
AR 00530	4 Cyl.	1290cc	64-65kW (87-89)PS	TD23	835

B x C x D	MAT.				E x F x G

AF240 Fibre Composite		FF24R		JA829			
------------------------------	--	--------------	--	--------------	--	--	--



AF240

[1] Without crankshaft seal [1] sans bague d'étanchéité - vilebrequin [1] senza paraolio-albero a gomiti [1] sin cigüeñal retén

85	75.00	Petrol				
KFT	4 Cyl.	10.2:1	1360cc	54kW (73)PS	TD24950	837
KFV	4 Cyl.	10.5:1	1360cc	54kW (73)PS	TD24771	837

B x C x D	MAT.	30°	H		E x F x G

V91271	97 533 266				VAG92401	
37.00 x 7.00 x 112.50					47.50 x 7.01 x 13.06	
V91273	97 533 264				VAG96132	
29.50 x 7.00 x 112.50					47.60 x 7.03 x 13.11	

--	--	--	--	--	--	--	--

AD5701 Fibre Composite, 1.250mm			HB5039		JN658		NF817 36.00x50.00x7.00mm FPM
--	--	--	---------------	--	--------------	--	--



AD5701

86

75.00

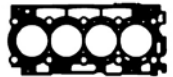
Diesel



9HU 4 Cyl. 18:1 1560cc 66kW (90)PS Turbo Intercooled TD24776 838

TB724 137x25.4					

AD5130 MLS, 1.250mm, 2 Notches AD5140 MLS, 1.300mm, 3 Notches AD5150 MLS, 1.350mm, 1 Notch AD5160 MLS, 1.400mm, 4 Notches AD5170 MLS, 1.450mm, 5 Notches	CD5140 ▲		HBS359 ☉ M11x1.50x147.00mm (x10)	HA5031 HA5030 JD5829	JM7034 (Elastomer)		NA5258 27.00x47.00x7.00mm PTFE



AD5130, AD5140, AD5150, AD5160, AD5170

87

75.40

Petrol



178 E5.022 4 Cyl. 1461cc 62kW (84)PS TD20448

						HR599	NB866 28.00x42.00x7.00mm FPM

88

76.00

Petrol



127 A.000 4 Cyl. 1049cc 37-41kW (50-56)PS TD887 839

TB121 117x15					

B x C x D OE	MAT.		45°	H		E x F x G	
V90064 34.00 x 8.00 x 110.00	4 340 118		45°				
V90399 29.10 x 7.99 x 110.50	4 340 119		45°				

BPO60 Fibre Composite, 1.200mm			HBS279 ▲ M11x1.50x154.00mm (x6)	JC973	JM333 JN283	HR599	



BPO60

FIAT GROUP

89

 76.00

Petrol



127 A1.000

4 Cyl.

1049cc

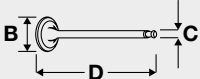
51kW (70)PS

TD4345

840



TB121
117x15



B x C x D

OE



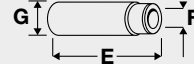
MAT.



45°



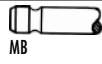
H



G x F x E

V90064 ■
34.00 x 8.00 x 110.00

4 340 118



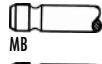
MB

45°

H

V90398 ■
36.60 x 7.98 x 110.50

4 412 816



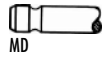
MB

45°

H

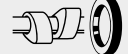
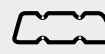
V90399 ■
29.10 x 7.99 x 110.50

4 340 119



MD

45°



JN283

90

 76.00

Petrol



127 A6.000

4 Cyl.

1049cc

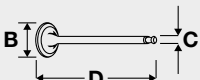
44kW (60)PS

TD4347

840



TB114
116x19
→02/79
TB121
117x15
02/79→



B x C x D

OE



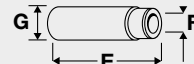
MAT.



45°



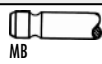
H



G x F x E

V90064 ■
34.00 x 8.00 x 110.00

4 340 118



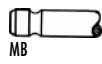
MB

45°

H

V90398 ■
36.60 x 7.98 x 110.50

4 412 816



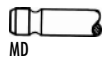
MB

45°

H

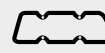
V90399 ■
29.10 x 7.99 x 110.50

4 340 119



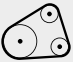










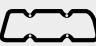

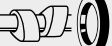












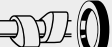

MD









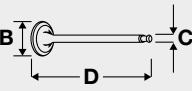

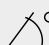


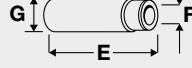



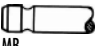







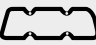

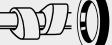

45°



JN283

91	 76.00	Petrol					
156 A1.000	4 Cyl.	7:1	1049cc	62kW (84)PS	Turbo Intercooled	TD1783	841
							
TB248 118x15							
							
BP290 Fibre Composite	DP294			JD5155 (x2)	JN587		
							
BP290							

92	 76.00	Petrol					
131 A6.000	4 Cyl.		1297cc	40kW (54)PS		TD897	843
							
						HR596 	

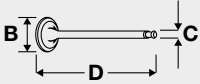
93	 76.00	Petrol					
146 A 5.046	4 Cyl.	9:1	1297cc	53kW (72)PS		TD4591	841
							
TB247 120x15 →08/95							
							
V90398 	4 412 816	MAT.	45°	H	VAG92369  		
36.60 x 7.98 x 110.50					60.00 x 8.00 x 13.07		
V90399 	4 340 119		45°				
29.10 x 7.99 x 110.50							
							
BP290 Fibre Composite	DP292			JD5155 (x2)			
							
BP290							

146 B1.000

4 Cyl.

1301cc

33kW (45)PS
TD948
845

TB143
 133x22
 04/84 →


B x C x D

OE



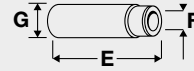
MAT.



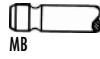
45°

H

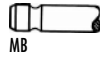
ss



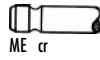
E x F x G

V91652 ■
 34.00 x 8.00 x 112.00


MB

V91763 ■
 34.00 x 8.00 x 112.00


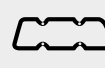
MB

V91653 ■
 29.00 x 8.00 x 112.00


MD

V91764 ■
 29.00 x 8.00 x 112.00


ME cr


BJ860 Fibre Composite, 1.650mm

DJ872 ▲

 **GJ872** ▲

JD5155 (x2)

JN669

(Cork)

HR596 ■

BJ870 Fibre Composite, 1.800mm, 1 Notch

BJ880 Fibre Composite, 1.950mm, 2 Notches

BJ860, BJ870, BJ880

95

 **76.00**

Diesel



127 A5.000

4 Cyl.

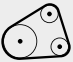





20:1

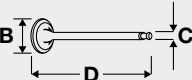

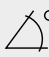


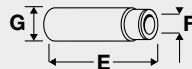
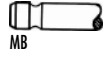
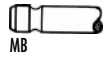
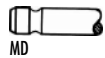
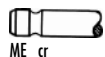
1302cc






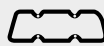

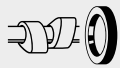
33kW (45)PS

TD4346

846

					
TB577 133x19 Eng.→35570		CAM391			FOL104 (x8) [6]
TB143 133x22 Eng.35571→					
[6] Mechanical	[6] Mécanique	[6] Meccanico	[6] Mecánico		



						
B x C x D	OE	MAT.	45°	H		E x F x G
V91652 ■ 34.00 x 8.00 x 112.00			45°			
V91763 ■ 34.00 x 8.00 x 112.00	4 424 173		45°	H		
V91653 ■ 29.00 x 8.00 x 112.00	4 424 174		45°			
V91764 ■ 29.00 x 8.00 x 112.00	4 424 174		45°	ss		







							
BJ860 Fibre Composite, 1.650mm	DJ872 ▲	GJ872 ▲		JD5155 (x2)	JN669 (cork)	HR596 ■	NA5187 30.00x52.00x7.00mm ACM
BJ870 Fibre Composite, 1.800mm, 1 Notch							
BJ880 Fibre Composite, 1.950mm, 2 Notches							

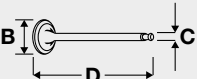
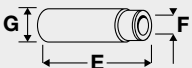






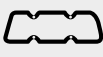


BJ860, BJ870, BJ880

FIAT GROUP

96	 76.00	Diesel	
156 A5.000	4 Cyl.	20:1	1302cc
			27kW (37)PS
			TD999 845



					
TB143 133x22 →04/91		CAM391			FOL104 (x8) [6]
[6] Mechanical	[6] Mécanique	[6] Meccanico	[6] Mecánico		




	
B x C x D	E x F x G
OE	
MAT.	
V91652 ■	45°
34.00 x 8.00 x 112.00	
V91763 ■	45° H
34.00 x 8.00 x 112.00	
V91653 ■	45°
29.00 x 8.00 x 112.00	
V91764 ■	45° ss
29.00 x 8.00 x 112.00	










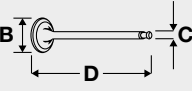
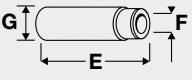

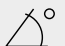










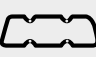




						
BJ860 Fibre Composite, 1.650mm	DJ872 ▲	GJ872 ▲	JD5155 (x2)	JN669 (Cork)	HR596 ■	NA5187 30.00x52.00x7.00mm ACM
BJ870 Fibre Composite, 1.800mm, 1 Notch						
BJ880 Fibre Composite, 1.950mm, 2 Notches						










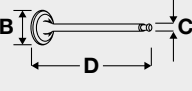
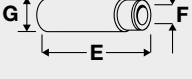




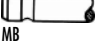







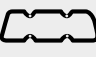














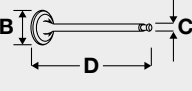
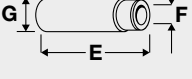












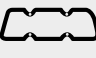


BJ860, BJ870, BJ880

97	 76.00	Petrol	
146 A2.166	4 Cyl.	994cc	35kW (48)PS
			TD19059 847

		
HBS052 ① M9x1.25x95.00mm (x10)	HR599 ■	NA5053 30.00x42.00x7.00mm FPM

98	 76.10	Petrol					
156 A.000	4 Cyl.	9.5:1	1049cc	40-41kW (54-56)PS	TD4411	848	
							
TB248 118x15							
							
V90398 	4 412 816		45°	H			
36.60 x 7.98 x 110.50							
V90399 	4 340 119		45°				
29.10 x 7.99 x 110.50							
							
					HR569 		
					HR596 		

99	 76.10	Petrol					
156 A.000	4 Cyl.	9.5:1	1049cc	40-41kW (54-56)PS	TD21222	848	
							
TB121 117x15 →09/87							
							
V90398 	4 412 816		45°	H			
36.60 x 7.98 x 110.50							
V90399 	4 340 119		45°				
29.10 x 7.99 x 110.50							
							
					HR805 		

100	 76.10	Petrol					
127 A3.000	4 Cyl.		1301cc	55kW (75)PS	TD4415	844	
							
TB388 121x15 →12/82 Length:1152.5mm Groove Distance: 9.525							
TB247 120x15							
							
V90398 	4 412 816		45°	H			
36.60 x 7.98 x 110.50							
V90399 	4 340 119		45°				
29.10 x 7.99 x 110.50							
							
				JD5155 (x2)	JN283		

FIAT GROUP

101

76.10

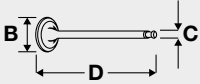
Petrol



156 B.000 4 Cyl. 9.5:1 1301cc 53-56kW (72-76)PS TD1853 849



TB247
120x15
→08/95



B x C x D

OE

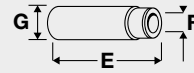


MAT.



45°

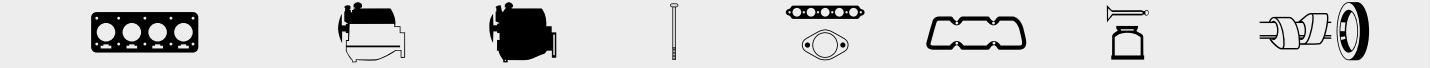
H



E x F x G

V90064 ■	4 340 118		45°	H
34.00 x 8.00 x 110.00		MB		
V90398 ■	4 412 816		45°	H
36.60 x 7.98 x 110.50		MB		
V90399 ■	4 340 119		45°	
29.10 x 7.99 x 110.50		MD		

VAG92369 ■ ■ ■	
60.00 x 8.00 x 13.07	



BP290 Fibre Composite DP292 JD5155 (x2)



BP290

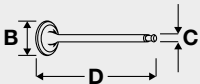
102

77.00

Petrol



126 A1.000 2 Cyl. 652cc 17kW (23)PS TD4343 850
126 A1.048 2 Cyl. 7.5:1 652cc 17-20kW (23-27)PS TD881 850



B x C x D

OE



MAT.



45°

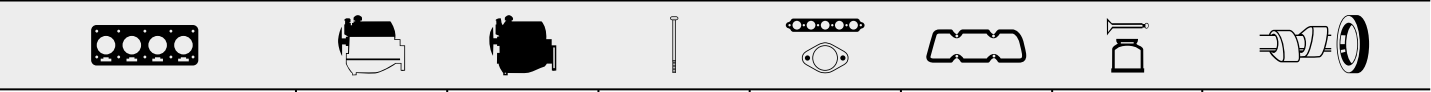
H



E x F x G

V91739 ■	4 294 098		45°	H
32.00 x 8.00 x 115.00		MB		
V91712 ■	4 374 855		45°	
28.00 x 8.00 x 116.10		MD		

--	--



BD790 Fibre Composite, 1.200mm DD790 GD671 GD790 [1] JC723 ■ JA752 ■ (x2) JE480 (x2) JM674 KG393



BD790

[1] Without crankshaft seal [1] sans bague d'étanchéité - vilebrequin [1] senza paraolio-albero a gomiti [1] sin cigüeñal retén

103		77.00		Petrol		141 A.000		2 Cyl.		8:1		652cc		22kW (30)PS		TD9385		851			
V91712				4 374 855						45°											
28.00 x 8.00 x 116.10																					
BPO50 Fibre Composite BPO30 Fibre Composite, 1.800mm				DP051 DR611 Eng.8061128→ DS570 Eng.8061128→						GP051 GR611		JA752 (x2) JC973		JM674		KG393 HR596					
BPO30				BPO50																	
104		78.00		Petrol		131 C.000		4 Cyl.		1367cc		51kW (70)PS		TD902		852					
V91765				7 547 400						45°											
43.50 x 8.00 x 105.00																					
NA5187 30.00x52.00x7.00mm ACM																					
105		78.00		Petrol		131 C1.000		4 Cyl.		1367cc		51-55kW (69-75)PS		TD903		852					
V91765				7 547 400						45°											
43.50 x 8.00 x 105.00																					
V91305				7 597 080						45°											
36.50 x 8.00 x 106.00																					
V91394				5 953 041						45°		ss									
36.50 x 8.00 x 105.50																					
V91636				5 975 341						45°											
36.50 x 8.00 x 106.00																					
NA5187 30.00x52.00x7.00mm ACM																					

FIAT GROUP

106	78.00	Diesel					
146 B.000	4 Cyl.	20:1	1367cc	52kW (71)PS	Turbo Intercooled	TD947	853
146 B3.000	4 Cyl.	20:1	1367cc	52kW (70)PS	Turbo Intercooled	TD950	853

	.KIT		KIT		
TB515					
165x22					

	OE	MAT.	45°		Ex F x G
V91655	7 553 004	MD cr			
30.00 x 8.00 x 117.00					

	DR100 ▲	GR100 ▲	HBS095		JN459	HR596	NA5187
			M12x1.25x133.00mm (x10)				30.00x52.00x7.00mm ACM

107	78.00	Petrol			
AR 06100	4 Cyl.	1567cc	81kW (110)PS	TD47	854

	OE	MAT.	30°		Ex F x G
V90388	605 21 575	MD		VAG921688	
37.10 x 8.96 x 106.10					
51.00 x 9.00 x 14.05					

BC370 Fibre Composite	DC372 DC373 ▲	GC374 GH857 ▲ [1]		JA840 01/76 → 12/82 JC497 01/83 → 12/84 JA829 (x4) JE696	JP004		



BC370

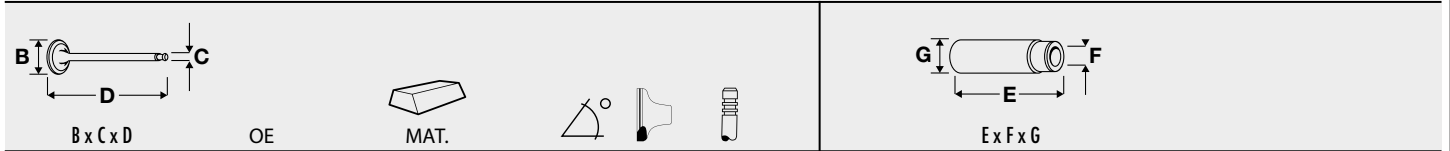
[1] Without crankshaft seal

[1] sans bague d'étanchéité - vilebrequin

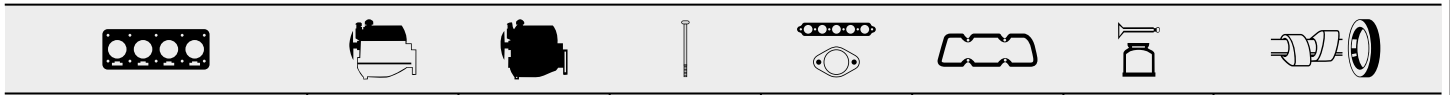
[1] senza paraolio-albero a gomiti

[1] sin cigüeñal retén

108	78.00	Petrol	
AR 00526	4 Cyl.	9:1	1570cc
			71-81kW (97-110)PS
			TD22 856



V90388	605 21 575		VAG92168B
37.10 x 8.96 x 106.10			51.00 x 9.00 x 14.05

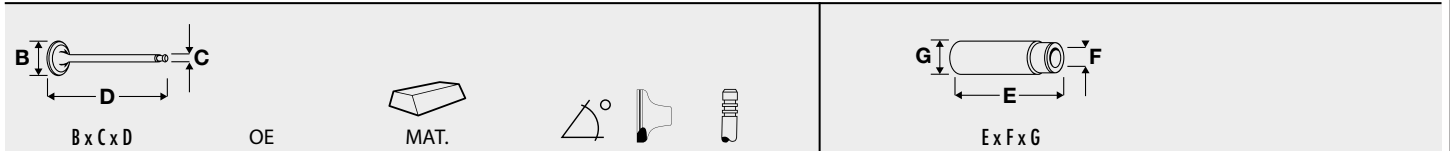


AF370 Fibre Composite	CF24N ▲ [1]	HBS186 △ M14x2.00x137.00mm (x10)
------------------------------	--------------------	--

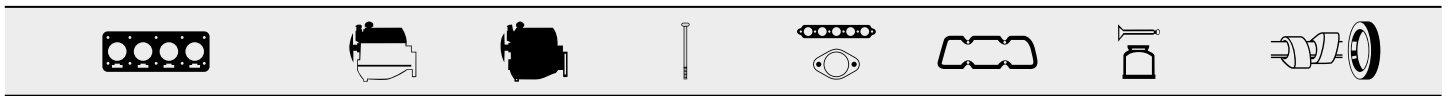


AF370
 [1] Without crankshaft seal [1] sans bague d'étanchéité - vilebrequin [1] senza paraolio-albero a gomiti [1] sin cigüeñal retén

109	78.00	Petrol	
AR 00536	4 Cyl.	1570cc	80kW (109)PS
			TD24 856



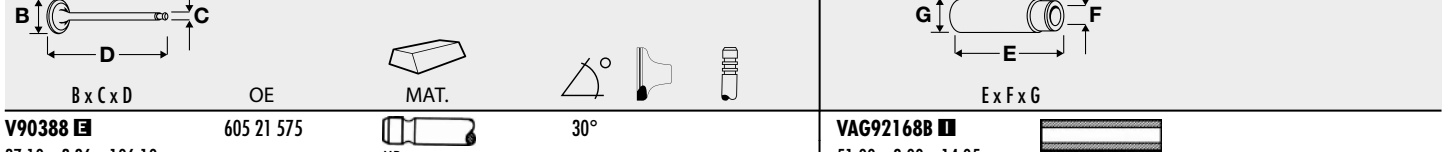
V90388	605 21 575		VAG92168B
37.10 x 8.96 x 106.10			51.00 x 9.00 x 14.05



CF24N ▲ [1]	FF24R ▲ [1]
--------------------	--------------------

[1] Without crankshaft seal [1] sans bague d'étanchéité - vilebrequin [1] senza paraolio-albero a gomiti [1] sin cigüeñal retén

110	78.00	Petrol	
AR 01600	4 Cyl.	1570cc	79-80kW (108-109)PS
			TD32 856



V90388	605 21 575		VAG92168B
37.10 x 8.96 x 106.10			51.00 x 9.00 x 14.05



DC372	FF24R ▲ [1]	JA840	JA829
--------------	--------------------	--------------	--------------



AF370
 [1] Without crankshaft seal [1] sans bague d'étanchéité - vilebrequin [1] senza paraolio-albero a gomiti [1] sin cigüeñal retén

FIAT GROUP

111



78.00

Petrol



M16A Euro4/Euro5

4 Cyl.

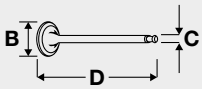
10.5:1

1586cc

78-88kW (106-120)PS

TD20932

858



B x C x D

OE



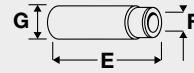
MAT.



45°



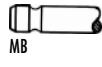
H



E x F x G

V95007 ■

12911-69G00

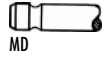


MB

30.00 x 6.00 x 100.80
→12/03

V95008 ■

12915-69G50



MD

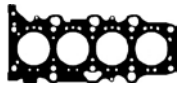
25.00 x 6.00 x 99.10
→12/03



AG8180 MLS

HBS497 ☉
M10x1.50x149.00mm (x10)

JD5965 ■
MLS



AG8180

112



78.10

Petrol



AR 61101

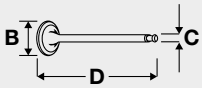
4 Cyl.

1567cc

76-81kW (103-110)PS

TD102

859



B x C x D

OE



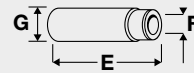
MAT.



30°



MD



E x F x G

V90388 ■

605 21 575

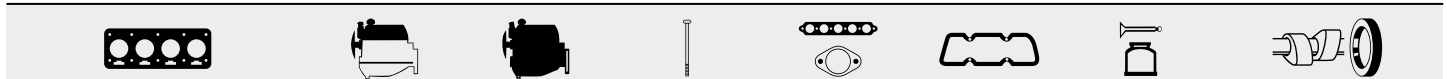


MD

37.10 x 8.96 x 106.10

VAG921688 ■

51.00 x 9.00 x 14.05



BC370 Fibre Composite

DC372
DC373 ▲

GC374
GH857 ▲ [1]

JA840 ■
01/76→12/82
JC497 ■
01/83→12/84
JA829 ■ (x4)
☉ **JE696**

JP004



BC370

[1] Without crankshaft seal

[1] sans bague d'étanchéité - vilebrequin

[1] senza paraolio-albero a gomiti

[1] sin cigüeñal retén

113



78.10

Petrol



AR 01563

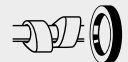
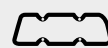
4 Cyl.

1570cc








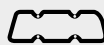

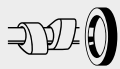
79kW (107)PS



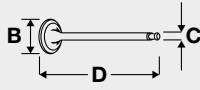
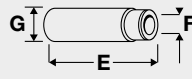


TD29



860








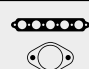
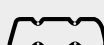





DC372

114	 79.00	Petrol				
192 B3.000	4 Cyl.	10.5:1	1598cc	77kW (105)PS	TD22147	862
       						NC006 35.00x48.00x7.00mm MVQ

115	 79.38	Diesel				
4.108	4 Cyl.	22:1	1760cc	38kW (52)PS	TD141	863
						
B x C x D	OE	MAT.			E x F x G	
V3251 ■ 35.99 x 7.95 x 117.04	732 101 M1	 MB	45°	H	VAG701 ■ 54.00 x 8.03 x 12.77	
V3252 ■ 30.43 x 7.93 x 117.25	0 910 061	 MB	45°	H	VAG586 ■ 62.00 x 8.01 x 12.76	

116	 79.50	Diesel					
198 A2.000	4 Cyl.	16.1:1	1598cc	88kW (120)PS	Turbo Intercooled	TD21042	864
198 A2.000	4 Cyl.	16.1:1	1598cc	88kW (120)PS	Turbo Intercooled	TD21047	864
198 A2.000	4 Cyl.	16.5:1	1598cc	88kW (120)PS	Turbo Intercooled	TD21698	864
198 A3.000	4 Cyl.	16.5:1	1598cc	77kW (105)PS	Turbo Intercooled	TD24568	865
263 A3.000	4 Cyl.	16.5:1	1598cc	74kW (101)PS		TD24768	866
350 A2.000	4 Cyl.	16.5:1	1598cc	85-88kW (116-120)PS	Turbo Intercooled	TD22138	867
940 A3.000	4 Cyl.	16.5:1	1598cc	77kW (105)PS	Turbo Intercooled	TD23923	869
955 A3.000 Euro 5	4 Cyl.	16.5:1	1598cc	88kW (120)PS	Turbo Intercooled	TD23575	864
955 A3.000 Euro 5	4 Cyl.	16.5:1	1598cc	88kW (120)PS	Turbo Intercooled	TD24591	864
955 A4.000	4 Cyl.		1598cc	85kW (115)PS	Turbocharged	TD23451	869

					
					FOL187 (x16)

       						
AH6880 MLS, 0.82mm						
AH6890 MLS, 0.92mm, 1 Hole						
AH6900 MLS, 1.02mm, 2 Holes						
						
AH6880	AH6890	AH6900				

FIAT GROUP

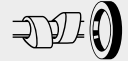
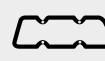
117

 79.50

Diesel



198 A6.000	4 Cyl.	16.5:1	1598cc	66kW (90)PS	Turbo Intercooled	TD24596	866
199 B5.000 Euro 5	4 Cyl.	17.8:1	1598cc	77kW (105)PS	Turbo Intercooled	TD27727	
263 A4.000	4 Cyl.	16.5:1	1598cc	66kW (90)PS	Turbo Intercooled	TD24769	866
350 A2.000	4 Cyl.	16.5:1	1598cc	85-88kW (116-120)PS	Turbo Intercooled	TD24899	867
350 A3.000	4 Cyl.	16.5:1	1598cc	85kW (116)PS	Turbo Intercooled	TD24973	
350 A3.000	4 Cyl.	16.5:1	1598cc	85kW (116)PS	Turbo Intercooled	TD24974	866
944 A 3.000	4 Cyl.	16.5:1	1598cc	77kW (105)PS	Turbo Intercooled	TD25422	866
955 A4.000	4 Cyl.	16.5:1	1598cc	85kW (116)PS	Turbo Intercooled	TD24651	869
955 A4.000	4 Cyl.		1598cc	85kW (115)PS	Turbocharged	TD25735	869



AH6880 MLS, 0.82mm
 AH6890 MLS, 0.92mm, 1 Hole
 AH6900 MLS, 1.02mm, 2 Holes



AH6880

AH6890

AH6900

118

 80.00

Petrol



128 A.000	4 Cyl.	8.8:1	1116cc	33-48kW (45-65)PS		TD888	871
-----------	--------	-------	--------	-------------------	--	-------	-----



[6] Mechanical

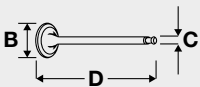
[6] Mécanique

[6] Meccanico

[6] Mecánico

CAM517

FOL104 (x8) [6]



B x C x D

OE



MAT.



45°



H

V34496 ■

36.00 x 8.00 x 108.50

V90071 ■

30.99 x 8.00 x 109.09

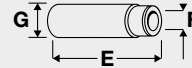
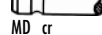
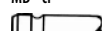
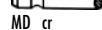
V91713 ■

31.00 x 8.00 x 109.00

4 239 917

4 315 062

4 315 062



E x F x G

BP070 Fibre Composite

DJ851 ▲
DP070

GP070

JD146
JE390



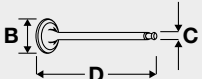




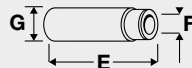






JM663 ■
JN805 ■






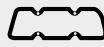

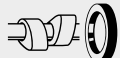
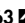

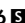
HR596 ■

NA5187
30.00x52.00x7.00mm ACM





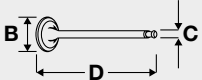










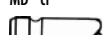





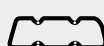

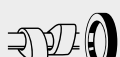
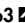


BP070

119	 80.00	Petrol				
128 A.048	4 Cyl.	9.2:1	1116cc	33kW (45)PS	TD5378	871
						
B x C x D	OE	MAT.				E x F x G
V34496 	4 239 917		45°		H	
36.00 x 8.00 x 108.50		MB				
V90071 	4 315 062		45°			
30.99 x 8.00 x 109.09		MD cr				
V91713 	4 315 062		45°			
31.00 x 8.00 x 109.00		MD cr				

							
BP070 Fibre Composite	DJ851 ▲ DP070	GP070		JD146 JE390	JM663  JN805 	HR596 	NA5187 30.00x52.00x7.00mm ACM



BP070

120	 80.00	Petrol					
128 AC5.000	4 Cyl.	9.2:1	1116cc	48kW (65)PS	TD891	872	
							
B x C x D	OE	MAT.				E x F x G	
V34496 	4 239 917		45°		H		
36.00 x 8.00 x 108.50		MB					
V90071 	4 315 062		45°				
30.99 x 8.00 x 109.09		MD cr					
V91713 	4 315 062		45°				
31.00 x 8.00 x 109.00		MD cr					
							
	DJ851 ▲	GP070			JM663  JN805 	HR569 	

FIAT GROUP

121



80.00

Petrol



138 B.000 4 Cyl. 9.2:1 1116cc 40-44kW (55-60)PS TD923 871

TB114 116x19 12/83 → 12/88					

 B x C x D	OE	MAT.			 E x F x G
V34496	4 239 917		45°	H	VAG92366 46.50 x 8.00 x 14.10
V90071	4 315 062		45°		
V91713	4 315 062		45°		

BJ850 Fibre Composite	DJ852	GJ852	HBS051 M10x1.25x98.00mm (x5)	JD146	JP049 (Cork) JN805	HR596	NA5187 30.00x52.00x7.00mm ACM



BJ850

122



80.00

Petrol



138 B1.000 4 Cyl. 9.6:1 1116cc 40kW (55)PS TD924 873

TB114 116x19					

 B x C x D	OE	MAT.			 E x F x G
V34496	4 239 917		45°	H	VAG92366 46.50 x 8.00 x 14.10
V90071	4 315 062		45°		
V91713	4 315 062		45°		

BJ850 Fibre Composite	DJ852	GJ852	HBS051 M10x1.25x98.00mm (x5)	JD146	JP049 (Cork) JN805	HR596	NA5187 30.00x52.00x7.00mm ACM



BJ850

123

 80.00

Petrol



138 C1.000

4 Cyl.

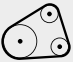





9.2:1

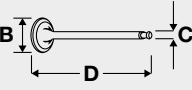



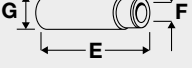




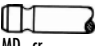


1116cc





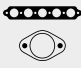
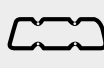






40-42kW (55-57)PS

TD18371

873

					
TB114 116x19					

 <p>B x C x D</p>	OE	MAT.	  	 <p>E x F x G</p>
V34496  36.00 x 8.00 x 108.50	4 239 917	 MB	45° H	VAG92366  46.50 x 8.00 x 14.10
V90071  30.99 x 8.00 x 109.09	4 315 062	 MD cr	45°	
V91713  31.00 x 8.00 x 109.00	4 315 062	 MD cr	45°	

							
BJ850 Fibre Composite	DJ852	HBS051  M10x1.25x98.00mm (x5)	JD146	JP049  (Cork) JN805 	HR596 	NA5187 30.00x52.00x7.00mm ACM	



BJ850

124

80.00

Petrol



146 A4.044

4 Cyl.

9.2:1

1116cc

37kW (50)PS

TD9469

873



TB114 116x19 →12/86 TB129 104x15 Eng.→9042883 TB676 125x15 Eng.9042884→	TBK006 Eng.→9042883 Component No: TB129; AE1008TP TBK314 Eng.9042884→ Component No: TB676; AE1008TP				

B x C x D	OE	MAT.				E x F x G
V34496 ■ 36.00 x 8.00 x 108.50	4 239 917		45°	H		
V90071 ■ 30.99 x 8.00 x 109.09	4 315 062		45°			
V91713 ■ 31.00 x 8.00 x 109.00	4 315 062		45°			







BJ850 Fibre Composite	DJ851 ▲ DJ852	GJ852	HBS051 △ M10x1.25x98.00mm (x5)	JD146	JP049 ■ (Cork) JN805 ■	HR596 ■	NA5187 30.00x52.00x7.00mm ACM

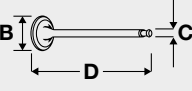

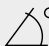

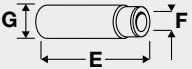




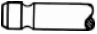









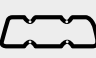

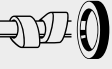




BJ850

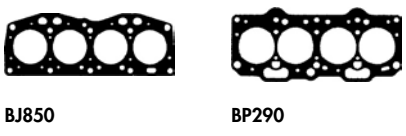
125  **80.00** **Petrol** 



146 A4.048 4 Cyl. 9.2:1 1116cc 43kW (58)PS TD4375 **873**

					
TB114 116x19					
TB248 118x15					
06/89 →					







					
B x C x D	OE	MAT.	45°	H	E x F x G
V34496 	4 239 917		45°		VAG92366 
36.00 x 8.00 x 108.50		MB			46.50 x 8.00 x 14.10
V90071 	4 315 062		45°		
30.99 x 8.00 x 109.09		MD cr			
V91713 	4 315 062		45°		
31.00 x 8.00 x 109.00		MD cr			

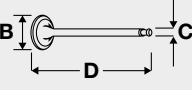

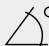

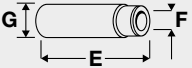

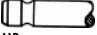


							
BJ850 Fibre Composite	DJ851 ▲	GJ852	HBS098 	JD146	JN283	HR596 	NA5187
BP290 Fibre Composite	DJ852		M12x1.25x140.00mm (x5)		JP049 		30.00x52.00x7.00mm ACM
					(Cork)		
					JN805 		






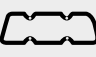

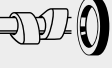






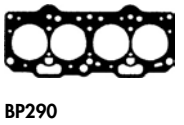
126  **80.00** **Petrol** 

146 A6.000 4 Cyl. 9.35:1 1116cc 43kW (58)PS TD9493 **874**

					
TB248 118x15					

					
B x C x D	OE	MAT.	45°	H	E x F x G
V90398 	4 412 816		45°		
36.60 x 7.98 x 110.50		MB			
V90399 	4 340 119		45°		
29.10 x 7.99 x 110.50		MD			

							
BP290 Fibre Composite	DP293	GK590	HBS098 	JD146	JN283	HR596 	NA5187
			M12x1.25x140.00mm (x5)	JD5155 (x2)	JP049 		30.00x52.00x7.00mm ACM
					(Cork)		
					JN805 		



FIAT GROUP

127



80.00

Petrol



146 A9.000

4 Cyl.

1116cc

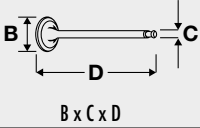
40kW (55)PS

TD945

875



TB248
118x15



OE



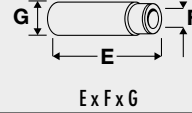
MAT.



45°

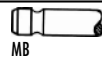


H



V90398 ■

4 412 816

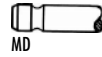


MB

36.60 x 7.98 x 110.50

V90399 ■

4 340 119



MD

29.10 x 7.99 x 110.50



DP293



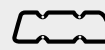
GK590



HBS098 ⚠
M12x1.25x140.00mm (x5)



JD146
JD5155 (x2)



JN283



HR596 ■



NA5187
30.00x52.00x7.00mm ACM



BP290

128



80.00

Petrol



146 C3.000

4 Cyl.

9.2:1

1116cc

36kW (49)PS

TD4348

876



TB129

104x15

Eng.→9042883

TB676

125x15

Eng.9042884 →

TBK006

Eng.→9042883

Component No: TB129;

AE1008TP

TBK314

Eng.9042884 →

Component No: TB676;

AE1008TP



DV675



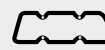
GP282



HBS052 ⚠
M9x1.25x95.00mm (x10)



JD148 ■
JD5375 ■
JF145
MLS



JN667





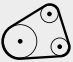

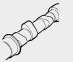








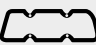

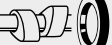

HR599 ■



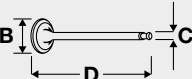


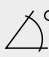

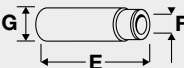

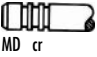







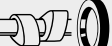
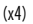











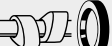
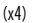

NA5053
30.00x42.00x7.00mm FPM



BP280, BV940

129	 80.00	Petrol					
831 B8.000	4 Cyl.	1116cc	47kW (64)PS	TD1819	877		
 	 						
TB114 116x19							
							
			HBS051  M10x1.25x98.00mm (x5)				

130	 80.00	Petrol					
AR 30102	4 Cyl.	1186cc	46kW (63)PS	TD5335	878		
AR 30102 S	4 Cyl.	1186cc	44kW (60)PS	TD5336	879		
AR 30500	4 Cyl.	1186cc	44-50kW (60-68)PS	TD87	881		
 		 					
V90392  33.10 x 8.00 x 92.90	10289.60000.00		45° ss				
							
	CN353			JA899  (x4)	JN588		NA5064 35.00x58.00x10.00mm ACM

131	 80.00	Petrol					
AR 30104	4 Cyl.	9:1	1186cc	50kW (68)PS	TD77	880	
AR 30160	4 Cyl.	9:1	1351cc	51kW (69)PS	TD81	878	
							
	CN353			JA899  (x4)	JN588 (x2)	HR602 	NA5064 35.00x58.00x10.00mm ACM

FIAT GROUP

132



80.00

Petrol

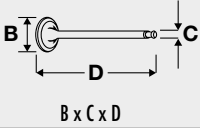


AR 30585 4 Cyl. 1186cc 50kW (68)PS TD10129 882



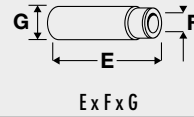
TB106

98x17
05/87→



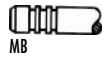
OE

MAT.



V91629 ■
39.80 x 8.00 x 92.00

605 40 326



45°

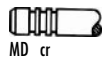
H

VAG96261 ■ ■
40.50 x 8.02 x 13.08



V91630 ■
33.10 x 8.00 x 92.10

605 40 325



45°



AN350 Fibre Composite (x2)

CN353

JA899 ■ (x4)
JE696

JN588

NA5064

35.00x58.00x10.00mm ACM



AN350

133

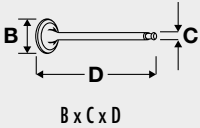


80.00

Petrol

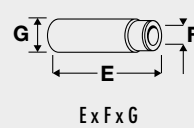


AR 31000 4 Cyl. 9:1 1186cc 44-47kW (60-64)PS TD99 878



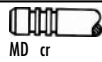
OE

MAT.



V90392 ■
33.10 x 8.00 x 92.90

10289.60000.00



CN353

NA5064

35.00x58.00x10.00mm ACM

134

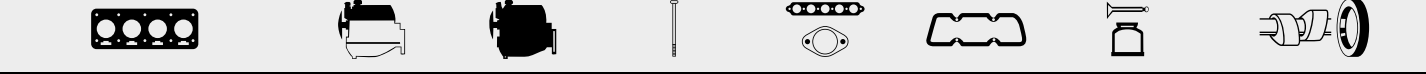


80.00

Petrol



AR 30180 4 Cyl. 1286cc 48-50kW (65-68)PS TD84 879



CN353

135



80.00

Petrol



AR 30100 4 Cyl. 1351cc 58kW (79)PS TD76 884



NA5064

35.00x58.00x10.00mm ACM

136	80.00	Petrol				
AR 30164	4 Cyl.	9:1	1351cc	55kW (75)PS	TD82	880
TB106 98x17						
V90392 33.10 x 8.00 x 92.90	10289.60000.00		45°	ss		
	CN353			JA899 (x4)	JN588 (x2)	HR602 NA5064 35.00x58.00x10.00mm ACM

137	80.00	Petrol				
AR 30168	4 Cyl.	9.5:1	1351cc	63-66kW (85-90)PS	TD83	880
TB106 98x17 →02/87						
V91614 38.00 x 8.00 x 97.00	129661		45°	H	VAG96261 40.50 x 8.02 x 13.08	
V91615 33.00 x 7.98 x 97.50	605 04 784		45°			
AN350 Fibre Composite	CN353			JA899 (x4) JE744	JN588 (x2)	HR602 NA5064 35.00x58.00x10.00mm ACM



AN350

FIAT GROUP

138



80.00

Petrol

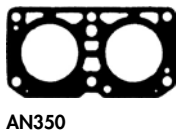


AR 30502	4 Cyl.	9:1	1351cc	55-58kW (75-79)PS	TD88	880
AR 30586	4 Cyl.		1351cc	55kW (75)PS	TD96	880
AR 30587	4 Cyl.		1351cc	63-66kW (86-90)PS	TD97	878

TB106 98x17					

V90392 33.10 x 8.00 x 92.90	10289.60000.00 	45°	ss	E x F x G

AN350 Fibre Composite	CN353			JA899 (x4) JE744	JN588 (x2)	HR602	NA5064 35.00x58.00x10.00mm ACM



139



80.00

Petrol



AR 30753	4 Cyl.	9.5:1	1351cc	65-66kW (88-90)PS	TD119	885
----------	--------	-------	--------	-------------------	-------	-----

TB338 100x17	TBK287 Component No: TB338; AE1006TP;AE1007TP				

V91629 39.80 x 8.00 x 92.00	605 40 326 	45°	H	E x F x G
V91630 33.10 x 8.00 x 92.10	605 40 325 	45°		

				JE744			

140	80.00	Petrol							
AR 30755	4 Cyl.	9.5:1	1351cc	65-66kW (88-90)PS	TD120	885			
AR 33501	4 Cyl.		1351cc	66kW (90)PS	TD123	885			
TB338 100x17	TBK287 Component No: TB338; AE1006TP;AE1007TP		KIT						

B x C x D	E x F x G	OE	MAT.	45°	H		
V91629	VAG96261	605 40 326		45°			
39.80 x 8.00 x 92.00	40.50 x 8.02 x 13.08		MB				
V91630		605 40 325		45°			
33.10 x 8.00 x 92.10			MD cr				

AN350 Fibre Composite	CN353				JA899 (x4) JE744	JN588 (x2)	HR363 HR602	NA5064 35.00x58.00x10.00mm ACM



AN350








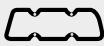











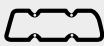







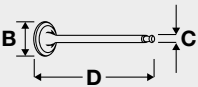
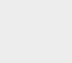
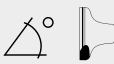


















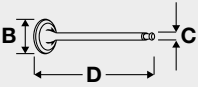
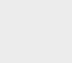







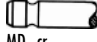






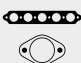










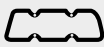


141	80.00	Petrol						
AR 31010	4 Cyl.	9:1	1351cc	63kW (86)PS	TD100	878		
		OE	MAT.	45°	ss			
V90392		10289.60000.00						
33.10 x 8.00 x 92.90			MD cr					

	CN353 DE622				JE744			NA5064 35.00x58.00x10.00mm ACM

142	80.00	Petrol						
AR 01644	4 Cyl.		1357cc	66-70kW (90-95)PS	TD35	886		
		OE	MAT.	30°				
V90388	VAG92168B	605 21 575						
37.10 x 8.96 x 106.10	51.00 x 9.00 x 14.05		MD					
	VAG96216B							
	54.00 x 9.01 x 14.05							

					JA840 JA829			

FIAT GROUP

143		80.00	Petrol				
124 AC.000	4 Cyl.	8.9:1	1438cc	59-66kW (80-90)PS	TD13413	887	
							
AH020 Fibre Composite					JM085	HR569 	
							
AH020							
144		80.00	Petrol				
124 B2.000	4 Cyl.	9:1	1438cc	51-55kW (70-75)PS	TD13412	888	
							
			FG615			JE390	HR569 
145		80.00	Petrol				
828 A2.000	4 Cyl.		1438cc	66kW (90)PS	TD1793	889	
							
B x C x D	OE	MAT.	45°	ss			
V90070 	4 359 309		MD cr				
36.10 x 8.00 x 105.79							
							
AH020 Fibre Composite							
							
AH020							
146		80.00	Petrol				
132 A.000	4 Cyl.	9:1	1592cc	72kW (98)PS	TD19053	891	
							
B x C x D	OE	MAT.	45°	ss			
V90070 	4 359 309		MD cr				
36.10 x 8.00 x 105.79							
V91714 	4 469 661		MD cr				
36.50 x 8.00 x 105.79							
							
					JM085		
147		80.00	Petrol				
132 A.9000	4 Cyl.	9:1	1592cc	70kW (95)PS	TD21277	892	
							
					JM085		

148	80.00	Petrol			
132 AC.000	4 Cyl.	1592cc	74-81kW (100-110)PS	TD907	895
					FOL104 (x8) [6]

[6] Mechanical [6] Mécanique [6] Meccanico [6] Mecánico

B x C x D	OE	MAT.			Ex F x G
V90070	4 359 309		45°	ss	VAG51023B
36.10 x 8.00 x 105.79		MD cr			47.00 x 8.04 x 15.04
V91714	4 469 661		45°		
36.50 x 8.00 x 105.79		MD cr			

					JM085		

149	80.00	Petrol				
132 BB OA O	4 Cyl.	9:1	1592cc	71-72kW (97-98)PS	TD6825	896

					FOL104 (x8) [6]

[6] Mechanical [6] Mécanique [6] Meccanico [6] Mecánico

BK540 Fibre Composite				JA777	JM085 (x2)		NA5187
				(Graphite)	JM508		30.00x52.00x7.00mm ACM
				JA757			



BK540

150	80.00	Petrol				
125 A.000	4 Cyl.	8.8:1	1608cc	66kW (90)PS	TD878	897



					JM085	HR569	

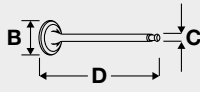
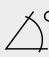


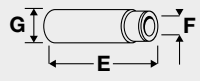

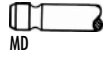


FIAT GROUP





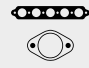
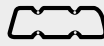




151		80.00	Petrol			
125 B.000	4 Cyl.	8.8:1	1608cc	74kW (100)PS	TD879	897
 B x C x D	OE	MAT.	 45°	 ss	 E x F x G	
V90070	4 359 309	 MD cr	45°		VAG51023B	
36.10 x 8.00 x 105.79					47.00 x 8.04 x 15.04	
V91714	4 469 661	 MD cr	45°			
36.50 x 8.00 x 105.79						
					JM085	HR569

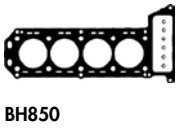
152		80.00	Petrol			
AR 00548	4 Cyl.	1779cc	83-97kW (113-132)PS	TD18	898	
 B x C x D	OE	MAT.	 30°		 E x F x G	
V90388	605 21 575	 MD	30°		VAG92168B	
37.10 x 8.96 x 106.10					51.00 x 9.00 x 14.05	
					VAG96216B	
					54.00 x 9.01 x 14.05	
	DC373				JA840	
					JA829	



153		80.00	Petrol			
AR 01354	4 Cyl.	1779cc	110kW (150)PS	Turbocharged	TD5343	899
			HBS186			
			M14x2.00x137.00mm (x10)			

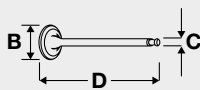



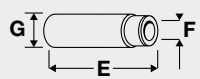

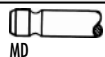


154	 80.00	Petrol			
AR 01608	4 Cyl.	1779cc	87-89kW (118-121)PS	TD5340	898
AR 01678	4 Cyl.	1779cc	88-90kW (120-122)PS	TD38	898





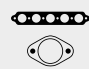
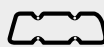




 <p>B x C x D</p>	OE	MAT.	  	 <p>E x F x G</p>
V90388  37.10 x 8.96 x 106.10	605 21 575	 MD	30°	VAG92168B  51.00 x 9.00 x 14.05 VAG96216B  54.00 x 9.01 x 14.05

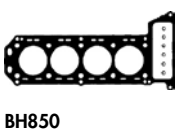
							
BH850 Fibre Composite	DH854			JA840  JA829 			










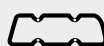



155	 80.00	Petrol			
AR 01608 X	4 Cyl.	1779cc	85kW (115)PS	TD33	898

 <p>B x C x D</p>	OE	MAT.	  	 <p>E x F x G</p>
V90388  37.10 x 8.96 x 106.10	605 21 575	 MD	30°	VAG92168B  51.00 x 9.00 x 14.05 VAG96216B  54.00 x 9.01 x 14.05

							
BH850 Fibre Composite				JA840  JA829 			



156	 80.00	Petrol				
AR 06134	4 Cyl.	1779cc	110kW (150)PS	Turbocharged	TD50	899
AR 06158	4 Cyl.	1779cc	114kW (155)PS	Turbocharged	TD52	899

							
			HBS186  M14x2.00x137.00mm (x10)		JN806 (MVQ)		

FIAT GROUP

157



80.00

Petrol



AR 06168	4 Cyl.	1779cc	88kW (120)PS	TD54	898
AR 06202	4 Cyl.	1779cc	85-89kW (116-121)PS	TD55	898
AR 61102	4 Cyl.	9:1	1779cc	TD10149	898

 B x C x D OE V90388 37.10 x 8.96 x 106.10	 MAT. 30° MD	 E x F x G VAG92168B 51.00 x 9.00 x 14.05 VAG96216B 54.00 x 9.01 x 14.05
---	-------------------------------	---

BH850 Fibre Composite	DH854		HBS186 M14x2.00x137.00mm (x10)	JD018 JA829 JE696 (x2)	JN806 (MVQ)		



BH850

158



80.00

Petrol



AR 61201	4 Cyl.	1779cc	90kW (122)PS	TD103	900
AR 61202	4 Cyl.	1779cc	87-95kW (118-129)PS	TD5333	899

BH850 Fibre Composite	DH854		HBS186 M14x2.00x137.00mm (x10)	JD018 JA829 (x4) JE696 (x2)	JN806 (MVQ)		



BH850

159	80.00	Petrol						
AR 16202	6 Cyl.	8:1	1996cc	148kW (202)PS	Turbo Intercooled	TD4189	901	

	.KIT		KIT		
TB383 134x25.4 →08/02					

$B \times C \times D$	OE	MAT.				$E \times F \times G$
-----------------------	----	-------------	--	--	--	-----------------------

VAG96263
48.50 x 9.00 x 14.05
VAG96267
42.50 x 9.00 x 14.06

--	--	--	--	--	--	--	--

BW290 Fibre Composite	DW282 →Eng.7485 DW281 Eng.7486→	GW281 →Eng.7485 GW282 Eng.7486→		JD222 JD224 (x6)	JM5023 (Steel Elastomer) JN808 →Eng.7485 JM5024 (Steel Elastomer) JN807 →Eng.7485	HR815	NA5163 32.00x47.00x10.00mm FPM
------------------------------	--	--	--	-----------------------------------	--	--------------	--



BW290

FIAT GROUP

160

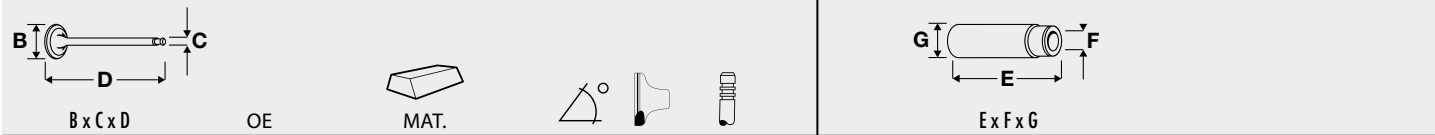
80.00

Petrol

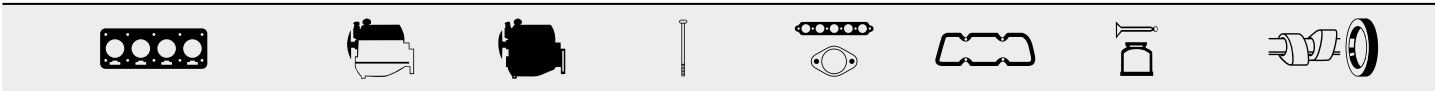


AR 34102 6 Cyl. 8:1 1996cc 151kW (205)PS Turbo Intercooled TD11600 901

TB703 127x25.4 →10/03					



VAG96263
48.50 x 9.00 x 14.05
VAG96267
42.50 x 9.00 x 14.06



AY610 Fibre Composite	CY610 →Eng.004108 CY611 Eng.004109→	FY610 →Eng.004108 FY611 Eng.004109→		JD222 (x2) JD224 (x6)	JM5023 (Steel Elastomer) JN808 →Eng.004108 JM5024 (Steel Elastomer) JN807 →Eng.004108	HR815	NJ951 32.00x50.00x8.00mm FPM
------------------------------	--	--	--	--	--	--------------	--



AY610

161

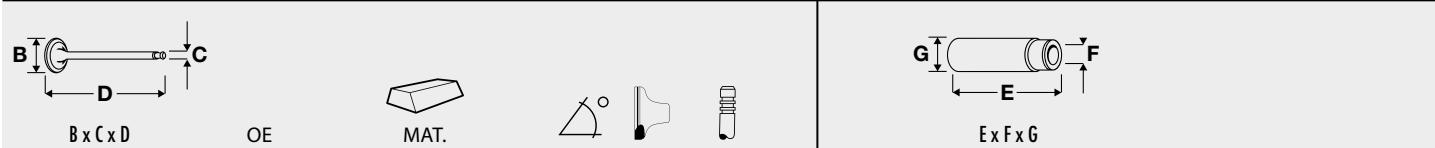
80.00

Petrol

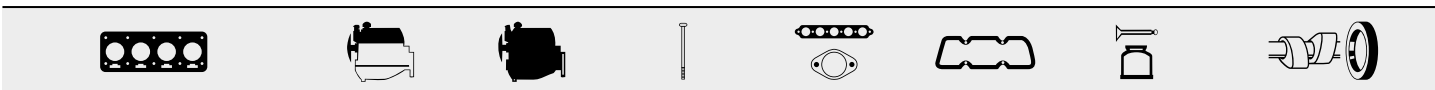


AR 64101 6 Cyl. 8:1 1996cc 150kW (204)PS Turbocharged TD5072 902

TB134 134x25.4					



VAG96263
48.50 x 9.00 x 14.05

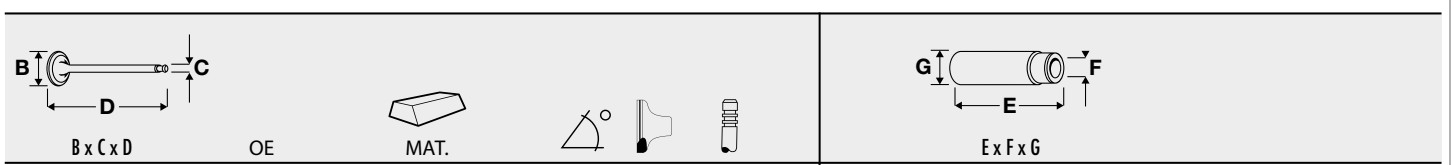


BW290 Fibre Composite	DW280	GW280		JD222 JD224 (x6)	JN808 JN807	NA5163 32.00x47.00x10.00mm FPM
------------------------------	--------------	--------------	--	-----------------------------------	------------------------------	--




BW290

162	80.00	Petrol				
AR 64102	6 Cyl.	1996cc	148-150kW (201-204)PS	Turbocharged	TD105	902
TB383 134x25.4 →10/97						



VAG96263 ■
48.50 x 9.00 x 14.05



BW290 Fibre Composite ▣	DW280	GW280		JD222 ■ JD224 ■ (x6)	JN808 ▣ JN807 ▣		NA5163 32.00x47.00x10.00mm FPM



BW290

163	80.00	Petrol					
AR 06210	6 Cyl.	1997cc	97kW (132)PS		TD56	903	
TB134 134x25.4							
BW290 Fibre Composite ▣	DW280	GW280		JD222 ■ JD224 ■ (x6)	JN808 ▣ JN807 ▣		NA5163 32.00x47.00x10.00mm FPM



BW290

FIAT GROUP

164



80.00

Petrol



126 A2.000	2 Cyl.	704cc	19kW (26)PS	TD4342	904
126 A2.048	2 Cyl.	704cc	19kW (26)PS	TD4344	904

B x C x D	OE	MAT.	45°	H	E x F x G
V91739 ■ 32.00 x 8.00 x 115.00	4 294 098		45°	H	
V91712 ■ 28.00 x 8.00 x 116.10	4 374 855		45°		

BT860 Fibre Composite	DR480	GR480		JC723 ■ JD198 ■ (x2)	JN666		



BT860

165



80.00

Petrol



170 A.000	2 Cyl.	704cc	23kW (31)PS	TD1028	905
170 A.046	2 Cyl.	704cc	22kW (30)PS	TD15809	906



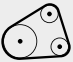






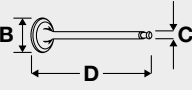
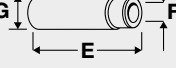

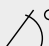

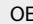
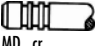



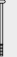










					FOL171 (x4)










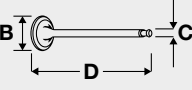
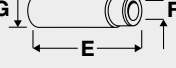

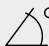

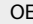
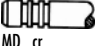



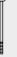

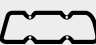








B x C x D	OE	MAT.	45°	H	E x F x G
V94793 ■ 35.30 x 8.00 x 115.80	7 683 521		45°	H	
V94795 ■ 27.00 x 8.00 x 116.00	7 683 522		45°		

BT860 Fibre Composite	DT270	GT270		JD067 ■ JD198 ■ (x2)	JN804		



BT860

166	 80.50	Petrol					
146 A2.000	4 Cyl.	8:1	1301cc	77kW (105)PS	Turbo Intercooled	TD4373	907
 	 		 				
TB126 118x19							
			 				
V91307 	7 574 881						
33.00 x 8.00 x 109.00							
							
BP300 Fibre Composite			HBS051  M10x1.25x98.00mm (x5)	LT439   JD021 (x2)	JM663  JN805 	HR363 	NA5187 30.00x52.00x7.00mm ACM

167	 80.50	Petrol					
146 A2.146	4 Cyl.		1301cc	73kW (100)PS	Turbocharged	TD938	908
146 A2.246	4 Cyl.		1301cc	74kW (100)PS	Turbocharged	TD932	907
 	 		 				
TB126 118x19							
			 				
V91307 	7 574 881						
33.00 x 8.00 x 109.00							
							
BP300 Fibre Composite			HBS051  M10x1.25x98.00mm (x5)	LT439   JD021	JM663  JN805 	HR363 	NA5187 30.00x52.00x7.00mm ACM

FIAT GROUP

168

80.50

Petrol



146 A8.000

4 Cyl.

7.8:1

1372cc

74-87kW (101-118)PS

Turbocharged

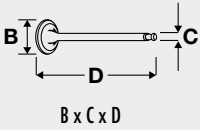
TD18372

909



TB305
138x15
→12/94

TBK027
→12/94
Component No: TB305;
AE1008TP



OE

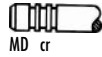


MAT.

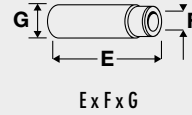


45°

ss

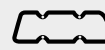


MD cr



V91307
33.00 x 8.00 x 109.00

7 574 881



BT401 Fibre Composite

DT400

GT400

HBS051
M10x1.25x98.00mm (x5)

LT439
JD022

JP049
(Cork)
JN805

HR363

NA5187
30.00x52.00x7.00mm ACM



BT401

169

80.50

Petrol



146 A8.046

4 Cyl.

7.8:1

1372cc

82kW (112)PS

Turbocharged

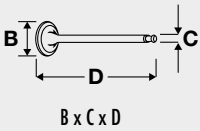
TD944

909



TB305
138x15

TBK027
Component No: TB305;
AE1008TP



OE

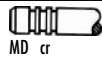


MAT.

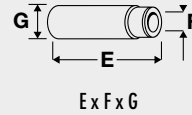


45°

ss

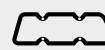


MD cr



V91307
33.00 x 8.00 x 109.00

7 574 881



BT401 Fibre Composite

DT400

GT400

HBS051
M10x1.25x98.00mm (x5)

LT439
JD022

JP049
(Cork)
JN805

HR363

NA5187
30.00x52.00x7.00mm ACM



BT401

170	80.50	Petrol						
146 C1.000	4 Cyl.	9.2:1	1372cc	51-53kW (69-72)PS				TD18821 910
TB305 138x15	TBK027 Component No: TB305; AE1008TP							
B x C x D	OE	MAT.					Ex F x G	
V91300	7 609 772		45°	H			VAG92366	
37.50 x 8.00 x 108.50		MB					46.50 x 8.00 x 14.10	
V90071	4 315 062		45°					
30.99 x 8.00 x 109.09		MD cr						
V91713	4 315 062		45°					
31.00 x 8.00 x 109.00		MD cr						
							JP049	HR569
							(Cork)	
							JN805	

171	80.50	Petrol						
146 C5.000	4 Cyl.	9.2:1	1372cc	49-52kW (67-71)PS				TD6816 910
146 D5.000	4 Cyl.	9.2:1	1372cc	49kW (67)PS				TD6817 910

TB305 138x15	TBK027 Component No: TB305; AE1008TP							
B x C x D	OE	MAT.					Ex F x G	
V91300	7 609 772		45°	H			VAG92366	
37.50 x 8.00 x 108.50		MB					46.50 x 8.00 x 14.10	
V90071	4 315 062		45°					
30.99 x 8.00 x 109.09		MD cr						
V91713	4 315 062		45°					
31.00 x 8.00 x 109.00		MD cr						
BT401 Fibre Composite	DR620		GR620	HBS051	JD146	JP049	HR596	NA5187
				M10x1.25x98.00mm (x5)		(Cork)		30.00x52.00x7.00mm ACM
						JN805		



BT401



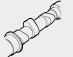



172

 80.50

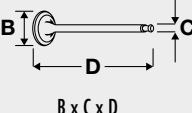
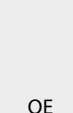
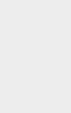
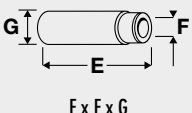


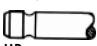
Petrol






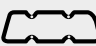

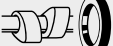


159 A2.000	4 Cyl.	9.2:1	1372cc	57kW (78)PS	TD9728	911
160 A1.000	4 Cyl.	9.2:1	1372cc	52-56kW (71-76)PS	TD1015	911
836 A4.000	4 Cyl.	9.2:1	1372cc	51kW (69)PS	TD893	912

					
TB305 138x15	TBK027 Component No: TB305; AE1008TP	CAM719	KIT		FOL104 (x8) [6]

[6] Mechanical [6] Mécanique [6] Meccanico [6] Mecánico

			
B x C x D	OE	MAT.	E x F x G
V91300 ■	7 609 772	 MB	VAG92366 ■ ■ ■
37.50 x 8.00 x 108.50			46.50 x 8.00 x 14.10
V90071 ■	4 315 062	 MD cr	
30.99 x 8.00 x 109.09			
V91713 ■	4 315 062	 MD cr	
31.00 x 8.00 x 109.00			

							
BR620 Fibre Composite	DR620	GR620	HBS051 △ M10x1.25x98.00mm (x5)	JD146 ■ JF150	JP049 ■ (Cork) JN805 ■	HR363 ■	NA5187 30.00x52.00x7.00mm ACM



BR620

173	80.50	Petrol				
160 A1.046	4 Cyl.	9.2:1	1372cc	49-51kW (67-69)PS	TD1016	912
160 A1.046	4 Cyl.	9.2:1	1372cc	51kW (69)PS	TD4599	913

TB305 138x15	TBK027 Component No: TB305; AE1008TP				

B x C x D	OE	MAT.	45°	H	E x F x G
V91300	7 609 772		45°	H	VAG92366
37.50 x 8.00 x 108.50		MB			46.50 x 8.00 x 14.10
V90071	4 315 062		45°		
30.99 x 8.00 x 109.09		MD cr			
V91713	4 315 062		45°		
31.00 x 8.00 x 109.00		MD cr			

BR620 Fibre Composite	DR620	GR620	HBS051	JD146 	JP049	HR363	NA5187 30.00x52.00x7.00mm ACM
			M10x1.25x98.00mm (x5)		(Cork) JN805		



BR620

174	80.50	Petrol				
160 A1.048	4 Cyl.	9.2:1	1372cc	50-52kW (69-71)PS	TD4393	912

TB305 138x15	TBK027 Component No: TB305; AE1008TP				

B x C x D	OE	MAT.	45°	H	E x F x G
V91300	7 609 772		45°	H	VAG92366
37.50 x 8.00 x 108.50		MB			46.50 x 8.00 x 14.10
V90071	4 315 062		45°		
30.99 x 8.00 x 109.09		MD cr			
V91713	4 315 062		45°		
31.00 x 8.00 x 109.00		MD cr			

BR620 Fibre Composite	DR620	GR620	HBS051	JD146 	JP049	HR363	NA5187 30.00x52.00x7.00mm ACM
			M10x1.25x98.00mm (x5)		(Cork) JN805	HR569	



BR620

FIAT GROUP

175



80.50

Petrol



176 A4.000	4 Cyl.	7.8:1	1372cc	96-98kW (131-136)PS	Turbo Intercooled	TD1034	914
176 B6.000	4 Cyl.	7.8:1	1372cc	96kW (131)PS	Turbo Intercooled	TD5492	914

TB305 138x15	TBK027 Component No: TB305; AE1008TP		KIT		FOL104 (x8) [6]

[6] Mechanical [6] Mécanique [6] Meccanico [6] Mecánico

V91307	7 574 881	MAT. MD cr	45°	ss	E x F x G
33.00 x 8.00 x 109.00					

BT401 Fibre Composite	DT401	GT401	HBS051 M10x1.25x98.00mm (x5)	JD022	JP049 (Cork) JN805	HR363	NA5187 30.00x52.00x7.00mm ACM



BT401

176



80.50

Petrol



178 B2.000	4 Cyl.	9.2:1	1372cc	51kW (69)PS		TD16173	910
------------	--------	-------	--------	-------------	--	---------	-----

TB305 138x15 07/97→10/03			KIT		FOL104 (x8) [6]

[6] Mechanical [6] Mécanique [6] Meccanico [6] Mecánico

BR620 Fibre Composite	DR620	GR620	HBS051 M10x1.25x98.00mm (x5)	JD146 JF150	JP049 (Cork) JN805	HR363	NA5187 30.00x52.00x7.00mm ACM



BR620

177	80.50	Petrol			
178 B2.016	4 Cyl.	9.2:1	1372cc	51kW (69)PS	TD16174 910
TB305 138x15 07/97→10/03					

BR620 Fibre Composite	DR620	GR620	HBS051 M10x1.25x98.00mm (x5)	JD146 JF150	JP049 (Cork) JN805	HR363	NA5187 30.00x52.00x7.00mm ACM



BR620

178	80.50	Petrol			
836 A4.000	4 Cyl.	9.2:1	1372cc	51kW (69)PS	TD14568 915
TB305 138x15	TBK027 Component No: TB305; AE1008TP				

B x C x D	OE	MAT.	45°	H
V91300	7 609 772		45°	H
37.50 x 8.00 x 108.50		MB		
V90071	4 315 062		45°	
30.99 x 8.00 x 109.09		MD cr		
V91713	4 315 062		45°	
31.00 x 8.00 x 109.00		MD cr		
				VAG92366
				46.50 x 8.00 x 14.10

BR620 Fibre Composite			HBS051 M10x1.25x98.00mm (x5)	JP049 (Cork) JN805		



BR620

FIAT GROUP

179	80.50	Petrol			
178 E7.000	4 Cyl.	10.5:1	1596cc	74kW (101)PS	TD25965
	.KIT		KIT		
					FOL106 (x16) Height: 24mm FOL145 (x16) Height: 26mm

180	80.50	Petrol				
182 B6.000	4 Cyl.	10.1:1	1596cc	76kW (103)PS	TD15632	916
	.KIT		KIT			
TB471 158x25.4	TBK089 Component No: TB471; AE1086TP;AE1085GP					FOL106 (x16) Height: 24mm

B x C x D	E x F x G				
OE	MAT.				
V91949 ■ 30.40 x 7.00 x 102.00	46 517 325 MB cr	45°	H	VAG50895 ■ 46.00 x 7.04 x 13.03	
V91950 ■ 29.80 x 7.00 x 102.60	46 462 159 MD cr	45°		VAG92364 ■ 42.50 x 7.00 x 13.07	
V94468 ■ 30.00 x 7.00 x 102.40	46 461 209 MG cr	45°	ss H		

AB5150 Fibre Composite →Eng.505168 AD5970 MLS Eng.505169→	CB5150 →Eng.505168 CD5970 MLS Eng.505169→	FD5970	HBS131 ☒ M10x1.25x100.00mm (x10)	HA5005 ■ ■ JD5143 ■	JN973	HR800 ■	NA5187 30.00x52.00x7.00mm ACM



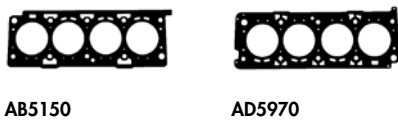
AB5150 **AD5970**

181	80.5	Petrol				
182 B6.000	4 Cyl.	10.5:1	1596cc	68-100kW (92-136)PS	TD16166	916

TB471 158x25.4	TBK089 Component No: TB471; AE1086TP;AE1085GP	CAM716 ■ CAM717 ■		FOL106 (x16) Height: 24mm	FOL145 (x16) Height: 26mm

V91949 ■ 30.40 x 7.00 x 102.00	V91950 ■ 29.80 x 7.00 x 102.60	V94468 ■ 30.00 x 7.00 x 102.40	VAG50895 ■ ■ ■ 46.00 x 7.04 x 13.03	VAG92364 ■ ■ ■ 42.50 x 7.00 x 13.07	
B x C x D	OE	MAT.	45°	H	E x F x G
		MB cr			
		MD cr	45°		
		MG cr	45°	ss H	

AB5150 Fibre Composite →Eng.505170 AD5970 MLS Eng.505169→	CB5150 →Eng.505169 CD5970 MLS Eng.505169→	FD5970	HBS131 ⊗ M10x1.25x100.00mm (x10)	HA5005 ■ ■ ■ JD5143 ■	JN973	HR800 ■	NA5187 30.00x52.00x7.00mm ACM

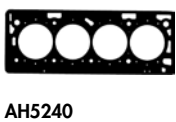


182	80.5	Petrol			
939 A4.000	4 Cyl.	1796cc	96-103kW (131-140)PS	TD20262	917
939 A4.000	4 Cyl.	1796cc	96-103kW (131-140)PS	TD20270	918



TB741 146x24					






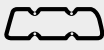


V98024 ■ 31.00 x 5.00 x 114.00	V98025 ■ 27.50 x 5.00 x 113.20	HBS055 ⊗ M10x1.25x153.00mm (x10)	JD5982 ■	JM7103 (Elastomer)	NC006 35.00x48.00x7.00mm MVQ
B x C x D	OE	MAT.	45°		E x F x G
		MB cr			
		MG cr	45°		



AH5240 MLS	CH5240	HBS055 ⊗ M10x1.25x153.00mm (x10)	JD5982 ■	JM7103 (Elastomer)	NC006 35.00x48.00x7.00mm MVQ









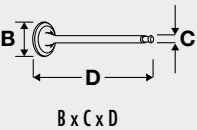



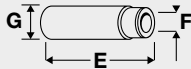
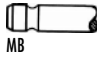
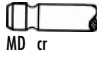
FIAT GROUP





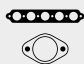
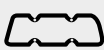



183	 80.50	Petrol			
93313090-7U	4 Cyl.	10.5:1	1796cc	78-84kW (106-114)PS	TD24992 919
93313090-H2	4 Cyl.	10.5:1	1796cc	83-85kW (113-116)PS	TD25004 919
93337154-J1	4 Cyl.	10.5:1	1796cc	82-84kW (112-112)PS	TD25021 919
J2	4 Cyl.	10.5:1	1796cc	83-85kW (113-115)PS	TD25017 919
PN93327668	4 Cyl.	9.4:1	1796cc	76-77kW (103-105)PS	TD24998 919
PN93327669	4 Cyl.	9.8:1	1796cc	90kW (122)PS	TD25025 919
Y2	4 Cyl.	10.5:1	1796cc	83-85kW (113-115)PS	TD25019 919

							
							NC006 35.00x48.00x7.00mm MVQ

184	 82.00	Petrol			
182 A3.000	4 Cyl.	9.8:1	1370cc	59kW (80)PS	TD4399 923

					
TB470 134x18	TBK300 Component No: TB470; AE1047TP	CAM648	CKS2648 CKS3648	FOL101 (x12)	FOL100 (x12)

				
B x C x D	OE	MAT.	H	E x F x G
V91927 ■ 30.30 x 7.00 x 110.40	7 712 114		45°	VAG96123 ■ ■ ■ 42.25 x 7.02 x 13.05
V91928 ■ 35.50 x 7.00 x 110.40	46 423 334		45°	VAG96146 ■ ■ ■ 42.50 x 7.04 x 13.05

							
AY480 Fibre Composite BX040 Fibre Composite, 1.200mm	DX040	 GX041	HBS130 ☉ M10x1.25x163.00mm (x10)	JD342 ■ JD343 ■	JN972	HR662 ■	NA5053 30.00x42.00x7.00mm FPM



AY480, BX040

185	82.00	Petrol				
182 A5.000	4 Cyl.	9.8:1	1370cc	55kW (75)PS	TD4401	923

TB470 134x18 →02/97	TBK300 →02/97 Component No: TB470; AE1047TP	CAM648	CKS2648 CKS3648	FOL101 (x12)	FOL100 (x12)

 B x C x D	OE				 E x F x G
V91927 ■ 30.30 x 7.00 x 110.40	7 712 114		45°	H	VAG96123 ■ ■ ■ 42.25 x 7.02 x 13.05
V91928 ■ 35.50 x 7.00 x 110.40	46 423 334		45°		VAG96146 ■ ■ ■ 42.50 x 7.04 x 13.05

AY480 Fibre Composite BX040 Fibre Composite, 1.200mm	DX040	GX041	HBS130 ☒ M10x1.25x163.00mm (x10)	JD342 ■ JD343 ■	JN972	HR662 ■	NA5053 30.00x42.00x7.00mm FPM



AY480, BX040

186	82.00	Petrol				
840 A2.000	4 Cyl.	9.85:1	1370cc	55-59kW (75-80)PS	TD1858	923
840 A4.000	4 Cyl.	9.85:1	1370cc	55kW (75)PS	TD4596	923

TB470 134x18 →02/98	TBK300 →02/98 Component No: TB470; AE1047TP	CAM648	CKS2648 CKS3648	FOL101 (x12)	FOL100 (x12)

 B x C x D	OE				 E x F x G
V91927 ■ 30.30 x 7.00 x 110.40	7 712 114		45°	H	VAG96146 ■ ■ ■ 42.50 x 7.04 x 13.05
V91928 ■ 35.50 x 7.00 x 110.40	46 423 334		45°		VAG96229 ■ ■ ■ 42.50 x 7.04 x 13.08

AY480 Fibre Composite BX040 Fibre Composite, 1.200mm	DX040	GX041	HBS130 ☒ M10x1.25x163.00mm (x10)	JD342 ■ JD343 ■	JN972	HR662 ■	NA5053 30.00x42.00x7.00mm FPM



AY480, BX040

FIAT GROUP

187



82.00

Petrol



AR 33503	4 Cyl.	10.5:1	1370cc	76kW (103)PS	TD9752	924
AR 38501	4 Cyl.		1370cc	76kW (103)PS	TD9753	924

TB528 163x24					FOL106 (x16) Height: 24mm FOL145 (x16) Height: 26mm

B x C x D	E x F x G
OE	
MAT.	
V91931 ■ 30.00 x 7.00 x 113.00	VAG96229 ■ 42.50 x 7.04 x 13.08
V91932 ■ 26.00 x 7.00 x 108.50	VAG96230 ■ 46.00 x 7.02 x 13.06

BY390 Fibre Composite, 1.200mm AY510 Fibre Composite, 1.400mm	DY390 →05/98 DY391 06/98→	GY390 →05/98 GY391 06/98→	HBS262 ☼ M10x1.25x220.00mm (x10)	JD466 ■ JD273 ■ MLS	HL700 ■	HR599 ■	NA5053 30.00x42.00x7.00mm FPM
AY510	BY390						

188



82.00

Petrol



AR 32101	4 Cyl.	10.5:1	1598cc	88kW (120)PS	TD9461	925
----------	--------	--------	--------	--------------	--------	-----

					FOL106 (x16) Height: 24mm FOL145 (x16) Height: 26mm

189


82.00
Petrol

AR 32102

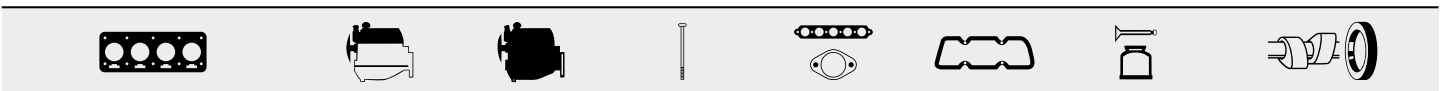
4 Cyl.

1598cc

82-88kW (112-120)PS
TD14369
926

TB528 163x24 05/00→	TBK345 →04/00 Component No: TB559; AE1147TP;AE1100TP TBK207 05/00→ Component No: TB528; AE1147TP;AE1100TP		KIT		FOL106 (x16) Height: 24mm FOL145 (x16) Height: 26mm

B x C x D	OE	MAT.	E x F x G
V91933 ■ 33.40 x 7.00 x 113.10	608 11 153	 MB cr	VAG96146 ■ 42.50 x 7.04 x 13.05
V91934 ■ 28.00 x 7.00 x 108.60	608 11 154	 MD cr	VAG96230 ■ 46.00 x 7.02 x 13.06
V94591 ■ 28.00 x 7.00 x 108.80	606 74 496	 MG cr	



BW720 Fibre Composite, 1.650mm AY500 Fibre Composite, 1.85mm	DW721 →05/98 DW722 06/98→	GW722 05/98→06/00	HBS132 ⊗ M10x1.25x254.00mm (x10)	JD271 ■ (Metal) JD273 ■ MLS	JM5002 (Elastomer)	HR599 ■	NA5053 30.00x42.00x7.00mm FPM NA5069 55.00x68.00x8.00mm FPM
---	--	-----------------------------	--	--	------------------------------	----------------	--


AY500

BW720

190



82.00

Petrol



AR 32103 D4	4 Cyl.	1598cc	88kW (120)PS	TD15389	927
AR 32104	4 Cyl.	1598cc	88kW (120)PS	TD15388	927

TB528 163x24 05/00→	TBK345 →04/00 Component No: TB559; AE1147TP;AE1100TP TBK207 05/00→ Component No: TB528; AE1147TP;AE1100TP		KIT		FOL106 (x16) Height: 24mm FOL145 (x16) Height: 26mm

	OE	MAT.			
V91933 ■ 33.40 x 7.00 x 113.10	608 11 153		45°	H	VAG96146 ■ 42.50 x 7.04 x 13.05
V91934 ■ 28.00 x 7.00 x 108.60	608 11 154		45°	ss	VAG96230 ■ 46.00 x 7.02 x 13.06
V94591 ■ 28.00 x 7.00 x 108.80	606 74 496		45°	ss H	

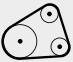





AA5420 MLS, 0.380mm BW720 Fibre Composite, 1.650mm	CA5420	HBS262 ☼ M10x1.25x220.00mm (x10)	JD271 ■ (Metal) JD273 ■ MLS	JM5002 (Elastomer) HL700 ■	HR599 ■	NA5053 30.00x42.00x7.00mm FPM NA5069 55.00x68.00x8.00mm FPM

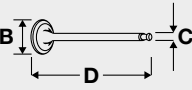



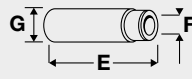
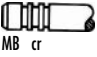
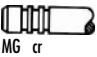







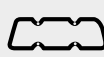

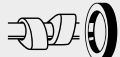
AA5420, BW720

191 82.00 Petrol

AR 37203 4 Cyl. 1598cc 76kW (103)PS TD15508 928

					
TB528 163x24	TBK207 Component No: TB528; AE1147TP;AE1100TP				FOL106 (x16) Height: 24mm FOL145 (x16) Height: 26mm

	OE	MAT.				
V91931 ■ 30.00 x 7.00 x 113.00	608 12 982		45°		H	VAG96146 ■ 42.50 x 7.04 x 13.05
V91932 ■ 26.00 x 7.00 x 108.50	608 12 981		45°		H	VAG96230 ■ 46.00 x 7.02 x 13.06



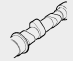



							
AA5420 MLS, 0.380mm	CA5420		HBS262 ☒ M10x1.25x220.00mm (x10)	JD271 ■ (Metal) JD273 ■ MLS	JM5002 (Elastomer)	HR599 ■	NA5053 30.00x42.00x7.00mm FPM NA5069 55.00x68.00x8.00mm FPM

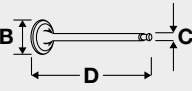



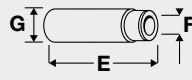
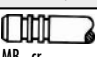
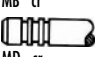
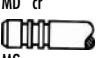







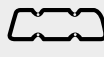

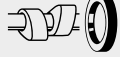
AA5420

192 82.00 Petrol

AR 38201 4 Cyl. 1598cc 88kW (120)PS TD9754 926

					
	TBK345 Component No: TB559; AE1147TP;AE1100TP				FOL106 (x16) Height: 24mm FOL145 (x16) Height: 26mm

	OE	MAT.				
V91933 ■ 33.40 x 7.00 x 113.10	608 11 153		45°		H	VAG96146 ■ 42.50 x 7.04 x 13.05
V91934 ■ 28.00 x 7.00 x 108.60	608 11 154		45°	ss		VAG96230 ■ 46.00 x 7.02 x 13.06
V94591 ■ 28.00 x 7.00 x 108.80	606 74 496		45°	ss	H	

							
BW720 Fibre Composite, 1.650mm AY500 Fibre Composite, 1.85mm	DW721 →05/98 DW722 06/98→06/00	GW721 →05/98 GW722 06/98→06/00	HBS132 ☒ M10x1.25x254.00mm (x10)	JD271 ■ (Metal) JD273 ■ MLS	HL700 ■	HR599 ■	NA5053 30.00x42.00x7.00mm FPM NA5069 55.00x68.00x8.00mm FPM



AY500



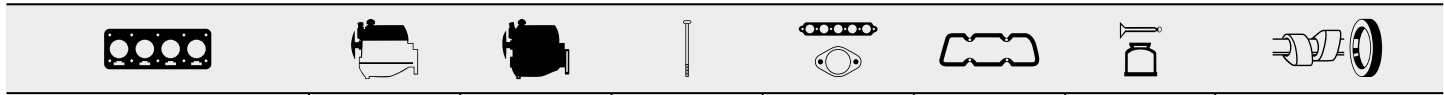
BW720



AR 67601 4 Cyl. 10.3:1 1598cc 88kW (120)PS TD19 926

TB528 163x24 05/00→	TBK345 →04/00 Component No: TB559; AE1147TP;AE1100TP TBK207 05/00→ Component No: TB528; AE1147TP;AE1100TP				FOL106 (x16) Height: 24mm FOL145 (x16) Height: 26mm

	OE	MAT.			
V91933 ■ 33.40 x 7.00 x 113.10	608 11 153		45°	H	VAG96146 ■ 42.50 x 7.04 x 13.05
V91934 ■ 28.00 x 7.00 x 108.60	608 11 154		45°	ss	VAG96230 ■ 46.00 x 7.02 x 13.06
V94591 ■ 28.00 x 7.00 x 108.80	606 74 496		45°	ss H	



BW720 Fibre Composite, 1.650mm AY500 Fibre Composite, 1.85mm	DW721 →05/98 DW722 06/98→06/00	GW721 →05/98 GW722 06/98→06/00	HBS132 ☒ M10x1.25x254.00mm (x10)	JD271 ■ (Metal) JD273 ■ MLS	HL700 ■	HR599 ■	NA5053 30.00x42.00x7.00mm FPM NA5069 55.00x68.00x8.00mm FPM
---	---	---	--	--	----------------	----------------	--



AY500



BW720

194

82.00

Petrol



182 A2.000

4 Cyl.

10.3:1

1747cc

83kW (113)PS

TD4398

929

TB468 168x24 →08/00			FOL106 (x16) Height: 24mm FOL145 (x16) Height: 26mm

 B x C x D	OE	MAT.	 45°	 H	 E x F x G
V91933 ■ 33.40 x 7.00 x 113.10	608 11 153	 MB cr	45°	H	VAG96123 ■ 42.25 x 7.02 x 13.05
V91934 ■ 28.00 x 7.00 x 108.60	608 11 154	 MD cr	45°	ss	VAG96146 ■ 42.50 x 7.04 x 13.05
V94582 ■ 28.00 x 7.00 x 108.50	7 766 565	 MD cr	45°		VAG96145 ■ 46.00 x 7.02 x 13.03
V94591 ■ 28.00 x 7.00 x 108.80	606 74 496	 MG cr	45°	ss H	VAG96230 ■ 46.00 x 7.02 x 13.06

BW720 Fibre Composite, 1.650mm AY500 Fibre Composite, 1.85mm	DW720 →06/99 DW723 07/99→	GW724 →06/99	HBS132 ☒ M10x1.25x254.00mm (x10)	JD271 ■ (Metal) →06/99 JA5007 ■ 07/99→ JD273 ■ MLS	HL701 ■	HR800 ■	NA5053 30.00x42.00x7.00mm FPM NA5069 55.00x68.00x8.00mm FPM



AY500



BW720

195

 82.00

Petrol



182 A2.000

4 Cyl.







10:1

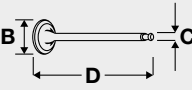

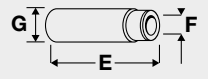
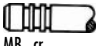
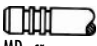
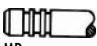
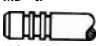
1747cc





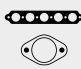
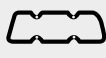

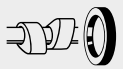
83kW (113)PS

TD9473

929

					
TB468 168x24 →10/98	TBK356 →10/98 Component No: TB468; AE1147TP;AE1042TP				FOL106 (x16) Height: 24mm

	OE	MAT.		
B x C x D				E x F x G
V91933 ■ 33.40 x 7.00 x 113.10	608 11 153	 MB cr	45°	VAG96123 ■ 42.25 x 7.02 x 13.05
V91934 ■ 28.00 x 7.00 x 108.60	608 11 154	 MD cr	45° ss	VAG96146 ■ 42.50 x 7.04 x 13.05
V94582 ■ 28.00 x 7.00 x 108.50	7 766 565	 MD cr	45°	VAG96145 ■ 46.00 x 7.02 x 13.03
V94591 ■ 28.00 x 7.00 x 108.80	606 74 496	 MG cr	45° ss H	VAG96230 ■ 46.00 x 7.02 x 13.06

							
BW720 Fibre Composite, 1.650mm AY500 Fibre Composite, 1.85mm	DW720	GW724	HBS132 ☒ M10x1.25x254.00mm (x10)	JD271 ■ (Metal) JD273 ■ MLS	HL701 ■	HR599 ■	NA5053 30.00x42.00x7.00mm FPM NA5069 55.00x68.00x8.00mm FPM



AY500



BW720

196	82.00	Petrol	
183 A1.000	4 Cyl.	10.3:1	1747cc
			96kW (131)PS
			TD9474 930

TB468 168x24	TBK356 Component No: TB468; AE1147TP;AE1042TP		KIT		

	OE	MAT.				
B x C x D						E x F x G
V91933 ■ 33.40 x 7.00 x 113.10	608 11 153	 MB cr	45°		H	VAG96123 ■ 42.25 x 7.02 x 13.05
V91934 ■ 28.00 x 7.00 x 108.60	608 11 154	 MD cr	45°	ss		VAG96146 ■ 42.50 x 7.04 x 13.05
V94582 ■ 28.00 x 7.00 x 108.50	7 766 565	 MD cr	45°			VAG96145 ■ 46.00 x 7.02 x 13.03
V94591 ■ 28.00 x 7.00 x 108.80	606 74 496	 MG cr	45°	ss	H	VAG96230 ■ 46.00 x 7.02 x 13.06

BW720 Fibre Composite, 1.650mm AY500 Fibre Composite, 1.85mm	DW723	GW723	HBS132 ☒ M10x1.25x254.00mm (x10)	JD271 ■ (Metal) JD273 ■ MLS	HL701 ■	HR599 ■	NA5053 30.00x42.00x7.00mm FPM NA5069 55.00x68.00x8.00mm FPM



AY500



BW720



183 A1.000

4 Cyl.

10.3:1

1747cc

92-97kW (125-132)PS

TD4405

929

TB468 168x24	TBK356 Component No: TB468; AE1147TP;AE1042TP		KIT		FOL106 (x16) Height: 24mm FOL145 (x16) Height: 26mm

	OE	MAT.			
B x C x D					E x F x G
V91933 ■ 33.40 x 7.00 x 113.10	608 11 153	 MB cr	45°	H	VAG96123 ■ 42.25 x 7.02 x 13.05
V91934 ■ 28.00 x 7.00 x 108.60	608 11 154	 MD cr	45°	ss	VAG96146 ■ 42.50 x 7.04 x 13.05
V94582 ■ 28.00 x 7.00 x 108.50	7 766 565	 MD cr	45°		VAG96145 ■ 46.00 x 7.02 x 13.03
V94591 ■ 28.00 x 7.00 x 108.80	606 74 496	 MG cr	45°	ss H	VAG96230 ■ 46.00 x 7.02 x 13.06

BW720 Fibre Composite, 1.650mm AY500 Fibre Composite, 1.85mm	DW723	GW723	HBS132 ☒ M10x1.25x254.00mm (x10)	JD271 ■ (Metal) JD273 ■ MLS	HL701 ■	HR800 ■	NA5053 30.00x42.00x7.00mm FPM NA5069 55.00x68.00x8.00mm FPM



AY500



BW720

198

82.00

Petrol



188 A6.000

4 Cyl.

10.3:1

1747cc

96kW (130)PS

TD16408

931

TB468 168x24 →08/00	TBK345 09/00→10/05 Component No: TB559; AE1147TP;AE1100TP				FOL106 (x16) Height: 24mm FOL145 (x16) Height: 26mm

	OE	MAT.			
B x C x D					E x F x G
V91933 ■ 33.40 x 7.00 x 113.10	608 11 153	 MB cr	45°	H	VAG96123 ■ 42.25 x 7.02 x 13.05
V91934 ■ 28.00 x 7.00 x 108.60	608 11 154	 MD cr	45°	ss	VAG96146 ■ 42.50 x 7.04 x 13.05
V94582 ■ 28.00 x 7.00 x 108.50	7 766 565	 MD cr	45°		VAG96145 ■ 46.00 x 7.02 x 13.03
V94591 ■ 28.00 x 7.00 x 108.80	606 74 496	 MG cr	45°	ss H	VAG96230 ■ 46.00 x 7.02 x 13.06

AA5420 MLS, 0.380mm	CA5421	HBS132 ⊗ M10x1.25x254.00mm (x10)	JD271 ■ (Metal) JD273 ■ MLS	HL701 ■	HR800 ■	NA5053 30.00x42.00x7.00mm FPM NA5069 55.00x68.00x8.00mm FPM



AA5420



192 A4.000

4 Cyl.

10.3:1

1747cc

96-98kW (130-133)PS

TD16395

931



TBK345 Component No: TB559; AE1147TP;AE1100TP		FOL106 (x16) Height: 24mm FOL145 (x16) Height: 26mm



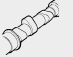



	OE	MAT.		
B x C x D				E x F x G
V91933 ■ 33.40 x 7.00 x 113.10	608 11 153		45° H	VAG96123 ■ 42.25 x 7.02 x 13.05
V91934 ■ 28.00 x 7.00 x 108.60	608 11 154		45° ss	VAG96146 ■ 42.50 x 7.04 x 13.05
V94582 ■ 28.00 x 7.00 x 108.50	7 766 565		45°	VAG96145 ■ 46.00 x 7.02 x 13.03
V94591 ■ 28.00 x 7.00 x 108.80	606 74 496		45° ss H	VAG96230 ■ 46.00 x 7.02 x 13.06

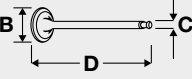



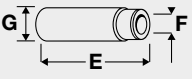
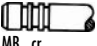
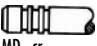
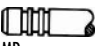
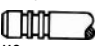
AA5420 MLS, 0.380mm	CA5421	HBS132 ☒ M10x1.25x254.00mm (x10)	JD271 ■ (Metal) JD273 ■ MLS	HL701 ■	HR800 ■	NA5053 30.00x42.00x7.00mm FPM NA5069 55.00x68.00x8.00mm FPM






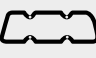




AA5420

200	 82.00	Petrol	
839 A4.000	4 Cyl.	1747cc	96kW (131)PS
			TD14468 929

					
TB468 168x24 →10/05					FOL106 (x16) Height: 24mm FOL145 (x16) Height: 26mm

 B x C x D	OE	MAT.				 E x F x G
V91933 ■ 33.40 x 7.00 x 113.10	608 11 153	 MB cr	45°		H	VAG96123 ■ 42.25 x 7.02 x 13.05
V91934 ■ 28.00 x 7.00 x 108.60	608 11 154	 MD cr	45°	ss		VAG96146 ■ 42.50 x 7.04 x 13.05
V94582 ■ 28.00 x 7.00 x 108.50	7 766 565	 MD cr	45°			VAG96145 ■ 46.00 x 7.02 x 13.03
V94591 ■ 28.00 x 7.00 x 108.80	606 74 496	 MG cr	45°	ss	H	VAG96230 ■ 46.00 x 7.02 x 13.06

							
BW720 Fibre Composite, 1.650mm AY500 Fibre Composite, 1.85mm	DW723	GW723	HBS132 ☒ M10x1.25x254.00mm (x10)	JA5007 ■ JD273 ■ MLS	HL701 ■	HR599 ■	NA5053 30.00x42.00x7.00mm FPM NA5069 55.00x68.00x8.00mm FPM



AY500



BW720

FIAT GROUP

201



82.00

Petrol



839 A7.000

4 Cyl.

10.3:1

1747cc

96kW (131)PS

TD15633

931

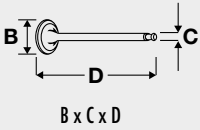


KIT



TB468
168x24
→10/05

FOL106 (x16)
Height: 24mm
FOL145 (x16)
Height: 26mm



OE



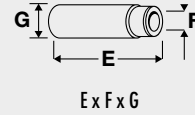
MAT.



45°

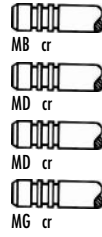


H



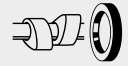
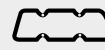
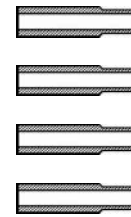
V91933 ■
33.40 x 7.00 x 113.10
V91934 ■
28.00 x 7.00 x 108.60
V94582 ■
28.00 x 7.00 x 108.50
V94591 ■
28.00 x 7.00 x 108.80

608 11 153
608 11 154
7 766 565
606 74 496



45°
45° ss
45°
45° ss H

VAG96123 ■
42.25 x 7.02 x 13.05
VAG96146 ■
42.50 x 7.04 x 13.05
VAG96145 ■
46.00 x 7.02 x 13.03
VAG96230 ■
46.00 x 7.02 x 13.06



AA5420 MLS, 0.380mm
BW720 Fibre Composite, 1.650mm
AY500 Fibre Composite, 1.85mm

CA5421
DW723

GW723

HBS132 ☒
M10x1.25x254.00mm (x10)

JA5007 ■
JD273 ■
MLS

HL701 ■

HR599 ■

NA5053
30.00x42.00x7.00mm FPM



AA5420, BW720

AY500

202



82.00

Petrol



839 A9.000

4 Cyl.

10.3:1

1747cc

96kW (131)PS

TD17508

932

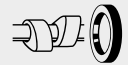
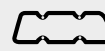


KIT



TB468
168x24
→10/05

FOL106 (x16)
Height: 24mm
FOL145 (x16)
Height: 26mm



AA5420 MLS, 0.380mm
BW720 Fibre Composite, 1.650mm
AY500 Fibre Composite, 1.85mm

CA5421
DW723

GW723

HBS132 ☒
M10x1.25x254.00mm (x10)

JA5007 ■
JD273 ■
MLS

HL701 ■

HR599 ■

NA5053
30.00x42.00x7.00mm FPM



AA5420, BW720

AY500

203

82.00

Petrol



AR 32201

4 Cyl.

10.3:1

1747cc

106kW (144)PS

TD9462

933

TB468 168x24	TBK356 Component No: TB468; AE1147TP;AE1042TP		KIT		FOL106 (x16) Height: 24mm FOL145 (x16) Height: 26mm

	OE	MAT.			
B x C x D					E x F x G
V91933 ■ 33.40 x 7.00 x 113.10	608 11 153	 MB cr	45°	H	VAG96146 ■ 42.50 x 7.04 x 13.05
V94591 ■ 28.00 x 7.00 x 108.80 01/02→	606 74 496	 MG cr	45°	ss H	VAG50895 ■ 46.00 x 7.04 x 13.03
V91934 ■ 28.00 x 7.00 x 108.60	608 11 154	 MD cr	45°	ss	VAG96230 ■ 46.00 x 7.02 x 13.06

BW720 Fibre Composite, 1.650mm AY500 Fibre Composite, 1.85mm	DW722	GW721 →05/98 GW722 05/98→06/00	HBS132 ☒ M10x1.25x254.00mm (x10)	JD271 ■ (Metal) JD273 ■ MLS	JM5002 (Elastomer) HL700 ■	HR599 ■	NA5053 30.00x42.00x7.00mm FPM NA5069 55.00x68.00x8.00mm FPM



AY500



BW720



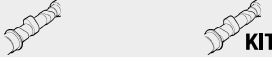


204

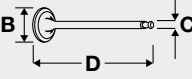

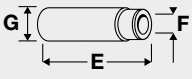
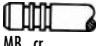
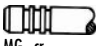
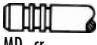
 82.00





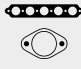
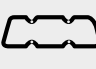

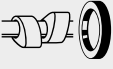
Petrol



AR 32205 4 Cyl. 1747cc 103kW (140)PS TD15390 933

				
TBK345 Component No: TB559; AE1147TP;AE1100TP				FOL106 (x16) Height: 24mm FOL145 (x16) Height: 26mm

	OE	MAT.		
B x C x D				E x F x G
V91933 ■ 33.40 x 7.00 x 113.10	608 11 153	 MB cr	45° H	VAG96146 ■ 42.50 x 7.04 x 13.05
V94591 ■ 28.00 x 7.00 x 108.80 01/02 →	606 74 496	 MG cr	45° ss H	VAG50895 ■ 46.00 x 7.04 x 13.03
V91934 ■ 28.00 x 7.00 x 108.60	608 11 154	 MD cr	45° ss	VAG96230 ■ 46.00 x 7.02 x 13.06

							
AA5420 MLS, 0.380mm	CA5420	HBS262 ☉ M10x1.25x220.00mm (x10)	JD271 ■ (Metal) JD273 ■ MLS	JM5002 (Elastomer)	HR599 ■	NA5053 30.00x42.00x7.00mm FPM NA5069 55.00x68.00x8.00mm FPM	



AA5420

205

82.00

Petrol



AR 38401

4 Cyl.

10.3:1

1747cc

103kW (140)PS

TD9755

933

TB468 168x24 →02/99			FOL106 (x16) Height: 24mm FOL145 (x16) Height: 26mm

 B x C x D	OE	MAT.			 E x F x G
V91933 ■ 33.40 x 7.00 x 113.10	608 11 153	 MB cr	45°	H	VAG96146 ■ 42.50 x 7.04 x 13.05
V94591 ■ 28.00 x 7.00 x 108.80 01/02→	606 74 496	 MG cr	45°	ss H	VAG50895 ■ 46.00 x 7.04 x 13.03
V91934 ■ 28.00 x 7.00 x 108.60	608 11 154	 MD cr	45°	ss	VAG96230 ■ 46.00 x 7.02 x 13.06

BW720 Fibre Composite, 1.650mm AY500 Fibre Composite, 1.85mm	DW722	GW721 →05/98 GW722 05/98→06/00	HBS132 ☒ M10x1.25x254.00mm (x10)	JD271 ■ (Metal) JD273 ■ MLS	HL700 ■	HR599 ■	NA5053 30.00x42.00x7.00mm FPM NA5069 55.00x68.00x8.00mm FPM



AY500



BW720

FIAT GROUP

206



82.00

Petrol



AR 67106 4 Cyl. 10.3:1 1747cc 103kW (140)PS TD5070 933

TB468 168x24	TBK356 Component No: TB468; AE1147TP;AE1042TP		KIT		FOL106 (x16) Height: 24mm FOL145 (x16) Height: 26mm

B x C x D	E x F x G
OE	
MAT.	
V91933 ■	VAG96146 ■
33.40 x 7.00 x 113.10	42.50 x 7.04 x 13.05
V94591 ■	VAG50895 ■
28.00 x 7.00 x 108.80	46.00 x 7.04 x 13.03
01/02 →	VAG96230 ■
V91934 ■	46.00 x 7.02 x 13.06
28.00 x 7.00 x 108.60	
608 11 153	
606 74 496	
608 11 154	
MB cr	
MG cr	
MD cr	
45°	
45° ss	
45° ss	

BW720 Fibre Composite, 1.650mm AY500 Fibre Composite, 1.85mm	DW722	GW721 →05/98 GW722 05/98 →06/00	HBS132 ☒ M10x1.25x254.00mm (x10)	JD271 ■ (Metal) JD273 ■ MLS	HL700 ■	HR599 ■	NA5053 30.00x42.00x7.00mm FPM NA5069 55.00x68.00x8.00mm FPM



AY500



BW720

207



82.00

Petrol



AR 67199 4 Cyl. 10.3:1 1747cc 103kW (140)PS TD23350 934

TB468 168x24	TBK356 Component No: TB468; AE1147TP;AE1042TP		KIT		FOL106 (x16) Height: 24mm FOL145 (x16) Height: 26mm

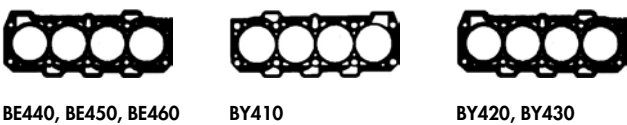
208	82.00	Diesel					
182 A7.000	4 Cyl.	20.7:1	1910cc	74kW (100)PS	Turbo Intercooled	TD4403	936

TB608 193x24 →08/00 TB639 190x24 08/00→	TBK352 →08/00 Component No: TB608; AE1087GP;AE1041TP TBK283 05/03→ Component No: TB639; AE1041TP;AE1182GP TBK104 08/00→05/03 Component No: TB639; AE1041TP;AE1087GP	CAM649		FOL104 (x8) [6]

[6] Mechanical [6] Mécanique [6] Meccanico [6] Mecánico

V91937 ■ 37.50 x 8.00 x 114.20	V91938 ■ 31.00 x 8.00 x 114.00	VAG96124 ■ ■ ■ 42.90 x 8.02 x 14.06	VAG96203 ■ ■ ■ 43.00 x 8.03 x 14.08	VAG96210 ■ ■ ■ 43.00 x 8.04 x 14.04

BY410 Fibre Composite, 1.600mm →12/98 BY420 Fibre Composite, 1.700mm, 1 Notch →12/98 BY430 Fibre Composite, 1.800mm, 2 Notches →12/98 BE440 MLS, 1.600mm 01/99→ BE450 MLS, 1.700mm 01/99→ BE460 MLS, 1.800mm 01/99→	DY410 ▲	GY411 ▲	HBS227 ☉ M12x1.25x218.00mm (x10)	JD467 ■ JD468 ■ MLS	JP019	HR363 ■	NA5053 30.00x42.00x7.00mm FPM



BE440, BE450, BE460 BY410 BY420, BY430



182 A8.000

4 Cyl.

20.7:1

1910cc

55kW (75)PS

Turbo Intercooled

TD4404

936

TB608 193x24 →08/00	TBK094 →08/00 Component No: TB608; AE1041TP;AE1182GP	CAM649		FOL104 (x8) [6]

[6] Mechanical

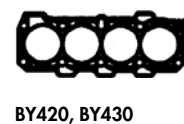
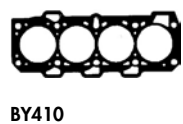
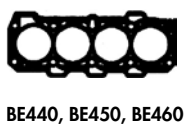
[6] Mécanique

[6] Meccanico

[6] Mecánico

V91937 ■ 37.50 x 8.00 x 114.20	VAG96124 ■ ■ ■ 42.90 x 8.02 x 14.06
V91938 ■ 31.00 x 8.00 x 114.00	VAG96203 ■ ■ ■ 43.00 x 8.03 x 14.08
	VAG96210 ■ ■ ■ 43.00 x 8.04 x 14.04

BY410 Fibre Composite, 1.600mm →12/98	DY410 ▲	GY411 ▲	HBS227 ☉ M12x1.25x218.00mm (x10)	JD467 ■ JD468 ■ MLS	JP019	HR363 ■	NA5053 30.00x42.00x7.00mm FPM
BY420 Fibre Composite, 1.700mm, 1 Notch →12/98							
BY430 Fibre Composite, 1.800mm, 2 Notches →12/98							
BE440 MLS, 1.600mm 01/99 →							
BE450 MLS, 1.700mm 01/99 →							
BE460 MLS, 1.800mm 01/99 →							



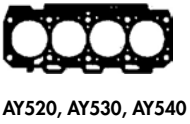
210	82.00	Diesel					
182 B4.000	4 Cyl.	18.45:1	1910cc	77-79kW (105-107)PS	Turbo Intercooled	TD11168	937

TB639 190x24	TBK283 Eng.→4114649 Component No: TB639; AE1041TP;AE1182GP	CAM651		FOL104 (x8) [6]

[6] Mechanical [6] Mécanique [6] Meccanico [6] Mecánico

B x C x D	E x F x G
OE	
MAT.	
V94064 ■	VAG96124 ■ ■
608 14 605	42.90 x 8.02 x 14.06
V94470 ■	VAG96203 ■ ■
46 750 859	43.00 x 8.03 x 14.08
V94065 ■	VAG96210 ■ ■
608 14 604	43.00 x 8.04 x 14.04
V94471 ■	
46 783 962	
V94590 ■	
34.45 x 8.00 x 115.00	

AY520 MLS, 1.600mm, 0 Holes	CY550 ▲	FY550 ▲	HBS227 Ⓢ	JA5035 ■	JP063	HR363 ■	NA5053
AY530 MLS, 1.700mm, 1 Hole			M12x1.25x218.00mm (x10)	01/00→			30.00x42.00x7.00mm FPM
AY540 MLS, 1.800mm, 2 Holes				JD468 ■			
				MLS			





182 B9.000 Euro 3 (D3)

4 Cyl.

18.45:1

1910cc

74-77kW (100-105)PS

Turbo Intercooled

TD16399

939

TB608 193x24 →08/00 TB639 190x24 08/00→	TBK352 →08/00 Component No: TB608; AE1087GP;AE1041TP TBK283 05/03→ Component No: TB639; AE1041TP;AE1182GP TBK104 08/00→05/03 Component No: TB639; AE1041TP;AE1087GP	CAM654		FOL104 (x8) [6]

[6] Mechanical

[6] Mécanique

[6] Meccanico

[6] Mecánico

	OE	MAT.			
B x C x D					E x F x G
V94064 ■ 35.50 x 8.00 x 115.00	608 14 605	 MB cr	45°	H	VAG96124 ■ ■ ■ 42.90 x 8.02 x 14.06
V94470 ■ 35.30 x 8.00 x 115.00	46 750 859	 MG cr	45°	H	VAG96203 ■ ■ ■ 43.00 x 8.03 x 14.08
V94065 ■ 34.50 x 8.00 x 115.00	608 14 604	 MD cr	45°		VAG96210 ■ ■ ■ 43.00 x 8.04 x 14.04
V94471 ■ 34.50 x 8.00 x 115.00	46 783 962	 MG cr	45°	H	
V94590 ■ 34.45 x 8.00 x 115.00		 MG cr	45°	ss H	

AA5561 MLS, 0.820mm, 0 Holes AA5571 MLS, 0.920mm, 1 Hole AA5581 MLS, 1.020mm, 2 Holes	CA5560 ▲ →Eng.4081110 CA5561 ▲ Eng.4081111→	FA5560 ▲	HBS227 ☒ M12x1.25x218.00mm (x10)	JA5035 ■ JD468 ■ MLS	JM5028 (Elastomer) →Eng.4081110 JM5204 (Elastomer) Eng.4081111→	HR363 ■	NA5053 30.00x42.00x7.00mm FPM



AA5561



AA5571



AA5581

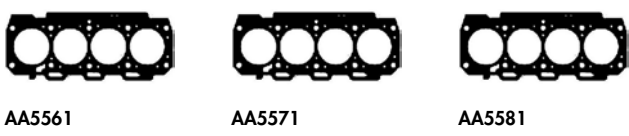
212	82.00	Diesel							
182 B9.000 Euro 3 (D3)	4 Cyl.	18.45:1	1910cc	74-77kW (101-105)PS	Turbo Intercooled	TD18312	938		

TB639 190x24 →09/06	TBK283 →09/06 Component No: TB639; AE1041TP;AE1182GP	CAM654	KIT	FOL104 (x8) [6]

[6] Mechanical [6] Mécanique [6] Meccanico [6] Mecánico

B x C x D	E x F x G
OE	
MAT.	
V94470 ■ ■ ■ 35.30 x 8.00 x 115.00	VAG96124 ■ ■ ■ 42.90 x 8.02 x 14.06
V94471 ■ ■ ■ 34.50 x 8.00 x 115.00	VAG96203 ■ ■ ■ 43.00 x 8.03 x 14.08
V94590 ■ ■ ■ 34.45 x 8.00 x 115.00	VAG96210 ■ ■ ■ 43.00 x 8.04 x 14.04

AA5561 MLS, 0.820mm, 0 Holes AA5571 MLS, 0.920mm, 1 Hole AA5581 MLS, 1.020mm, 2 Holes	CA5560 ▲ →Eng.4081110 CA5561 ▲ Eng.4081111→	FA5560 ▲	HBS227 ☒ M12x1.25x218.00mm (x10)	JA5035 ■ ■ ■ JD468 ■ ■ ■ MLS	JM5028 (Elastomer) →Eng.4081110 JM5204 (Elastomer) Eng.4081111→	HR363 ■ ■ ■	NA5053 30.00x42.00x7.00mm FPM



AA5561 **AA5571** **AA5581**



186 A6.000

4 Cyl.

18.45:1

1910cc

81kW (110)PS

Turbo Intercooled

TD15831

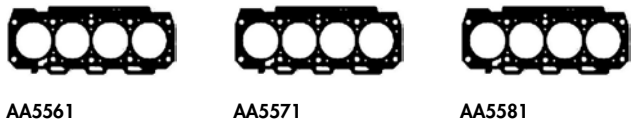
941

TB639 190x24	TBK283 Eng.→4114649 Component No: TB639; AE1041TP;AE1182GP	CAM651		FOL104 (x8) [6]

[6] Mechanical [6] Mécanique [6] Meccanico [6] Mecánico

B x C x D	E x F x G
V94064 ■■ 35.50 x 8.00 x 115.00	VAG96124 ■■ ■■ 42.90 x 8.02 x 14.06
V94470 ■■ 35.30 x 8.00 x 115.00	VAG96203 ■■ ■■ 43.00 x 8.03 x 14.08
V94065 ■■ 34.50 x 8.00 x 115.00	VAG96210 ■■ ■■ 43.00 x 8.04 x 14.04
V94471 ■■ 34.50 x 8.00 x 115.00	
V94590 ■■ 34.45 x 8.00 x 115.00	
OE: 608 14 605	
MAT. MB cr	
45°	
MG cr	
45°	
MD cr	
45°	
MG cr	
45°	
MG cr	
45° ss	

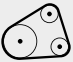





AA5561 MLS, 0.820mm, 0 Holes →09/03	CA5560 ▲ →Eng.4081110	FA5560 ▲	HBS227 ☒ M12x1.25x218.00mm (x10)	JA5035 ■■ JD468 ■■ MLS	JM5028 (Elastomer) →Eng.4081110	HR363 ■■	NA5053 30.00x42.00x7.00mm FPM
AA5571 MLS, 0.920mm, 1 Hole →09/03	CA5561 ▲ Eng.4081111→				JM5204 (Elastomer) Eng.4081111→		
AA5581 MLS, 1.020mm, 2 Holes →09/03							



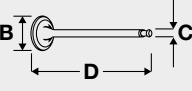
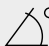

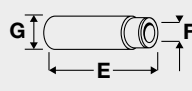
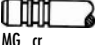
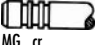
AA5561 AA5571 AA5581

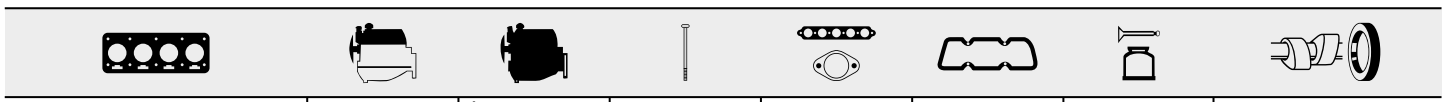
214  **82.00** Diesel 

186 A8.000 4 Cyl. 1910cc 85kW (115)PS Turbo Intercooled TD18309 939

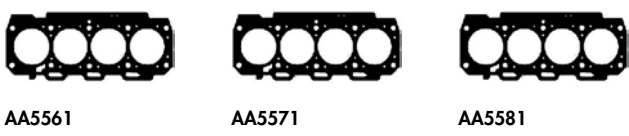
					
TB639 190x24	TBK283 Eng.→4114649 Component No: TB639; AE1041TP;AE1182GP	CAM651			FOL104 (x8) [6]

[6] Mechanical [6] Mécanique [6] Meccanico [6] Mecánico

	OE	MAT.			
V94470 ■ 35.30 x 8.00 x 115.00	46 750 859		45°	H	VAG96124 ■ ■ ■ 42.90 x 8.02 x 14.06
V94471 ■ 34.50 x 8.00 x 115.00	46 783 962		45°	H	VAG96203 ■ ■ ■ 43.00 x 8.03 x 14.08
					VAG96210 ■ ■ ■ 43.00 x 8.04 x 14.04









AA5561 MLS, 0.820mm, 0 Holes AA5571 MLS, 0.920mm, 1 Hole AA5581 MLS, 1.020mm, 2 Holes	CA5560 ▲ →Eng.4081110 CA5561 ▲ Eng.4081111→	FA5560 ▲	HBS227 ☒ M12x1.25x218.00mm (x10)	JA5035 ■ JD468 ■ MLS	JM5028 (Elastomer) →Eng.4081110 JM5204 (Elastomer) Eng.4081111→	HR363 ■	NA5053 30.00x42.00x7.00mm FPM
--	--	-----------------	--	--	--	----------------	---

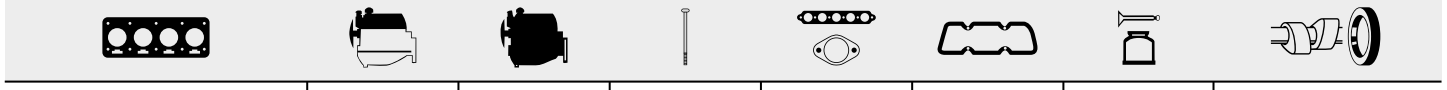


215  **82.00** Diesel 

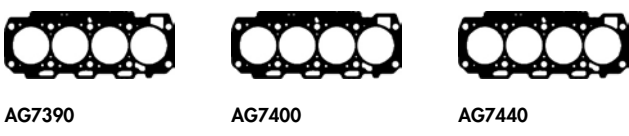
186 A9.000 4 Cyl. 1910cc 88kW (120)PS Turbo Intercooled TD19306 942

					
TB639 190x24	TBK283 Component No: TB639; AE1041TP;AE1182GP	CAM654			FOL104 (x8) [6]

[6] Mechanical [6] Mécanique [6] Meccanico [6] Mecánico



AG7440 MLS AG7390 MLS, 0.820mm AG7400 MLS, 0.920mm, 1 Hole	CA5561 ▲ CG7490 ▲		HBS227 ☒ M12x1.25x218.00mm (x10)	JA5035 ■ JD468 ■ MLS	JM5204 (Elastomer)	NA5053 30.00x42.00x7.00mm FPM
---	------------------------------------	--	--	--	------------------------------	---





188 A2.000

4 Cyl.

18.4:1

1910cc

59kW (80)PS

Turbo Intercooled

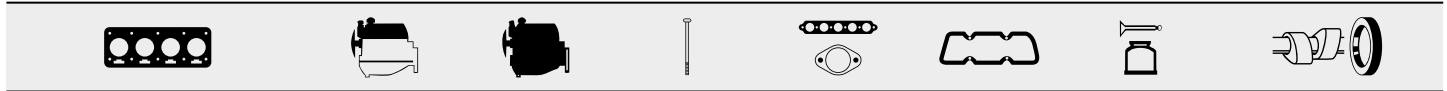
TD12788

941

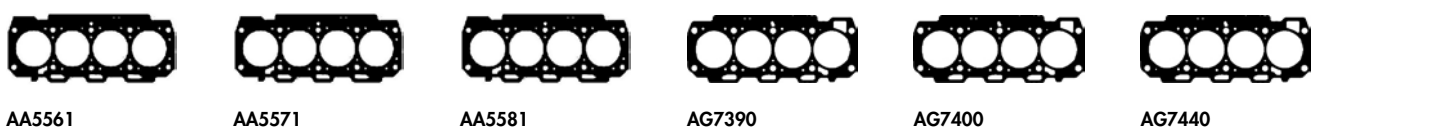
TB639 190x24 →08/05	TBK283 →08/05 Component No: TB639; AE1041TP;AE1182GP	CAM653	FOL104 (x8) [6]

[6] Mechanical [6] Mécanique [6] Meccanico [6] Mecánico

 B x C x D	OE	MAT.					 G x F x G
V94064 ■	608 14 605	 MB cr	45°	H			VAG96124 ■ ■ ■
35.50 x 8.00 x 115.00							42.90 x 8.02 x 14.06
V94470 ■	46 750 859	 MG cr	45°	H			VAG96203 ■ ■ ■
35.30 x 8.00 x 115.00							43.00 x 8.03 x 14.08
V94065 ■	608 14 604	 MD cr	45°				VAG96210 ■ ■ ■
34.50 x 8.00 x 115.00							43.00 x 8.04 x 14.04
V94471 ■	46 783 962	 MG cr	45°	H			
34.50 x 8.00 x 115.00							
V94590 ■		 MG cr	45°	ss H			
34.45 x 8.00 x 115.00							



AA5561 MLS, 0.820mm, 0 Holes →09/03	CA5560 ▲ →Eng.4081110	FA5560 ▲	HBS227 ☒ M12x1.25x218.00mm (x10)	JA5035 ■ JD468 ■ MLS	JM5028 (Elastomer) →Eng.4081110	HR363 ■	NA5053 30.00x42.00x7.00mm FPM
AA5571 MLS, 0.920mm, 1 Hole →09/03	CA5561 ▲ Eng.4081111→				JM5204 (Elastomer) Eng.4081111→		
AA5581 MLS, 1.020mm, 2 Holes →09/03							
AG7440 MLS 10/03→							
AG7390 MLS, 0.820mm 10/03→							
AG7400 MLS, 0.920mm, 1 Hole 10/03→							



AA5561 AA5571 AA5581 AG7390 AG7400 AG7440

217

82.00

Diesel



188 A3.000

4 Cyl.

22.5:1

1910cc

44kW (60)PS

TD12789

943

TB608 193x24 →10/03	TBK094 →10/03 Component No: TB608; AE1041TP;AE1182GP	CAM653	KIT	FOL104 (x8) [6]

[6] Mechanical

[6] Mécanique

[6] Meccanico

[6] Mecánico

 B x C x D	OE	MAT.			 E x F x G
V94064 ■ 35.50 x 8.00 x 115.00	608 14 605		45°	H	VAG96124 ■ ■ ■ 42.90 x 8.02 x 14.06
V94470 ■ 35.30 x 8.00 x 115.00	46 750 859		45°	H	VAG96203 ■ ■ ■ 43.00 x 8.03 x 14.08
V94065 ■ 34.50 x 8.00 x 115.00	608 14 604		45°		VAG96210 ■ ■ ■ 43.00 x 8.04 x 14.04
V94471 ■ 34.50 x 8.00 x 115.00	46 783 962		45°	H	
V94590 ■ 34.45 x 8.00 x 115.00			45°	ss H	

BZ791 MLS, 0.800mm	DZ790 ▲	GZ790 ▲	HBS227 Ⓢ M12x1.25x218.00mm (x10)	JA5008 ■ (x4) (Elastomer) JA5011 ■ (x4) (Elastomer) JD468 ■ MLS	JM5003 (Elastomer)	HR363 ■	NA5053 30.00x42.00x7.00mm FPM



BZ791



BZ801



BZ811



188 A7.000

4 Cyl.

18.5:1

1910cc

63kW (86)PS

Turbo Intercooled

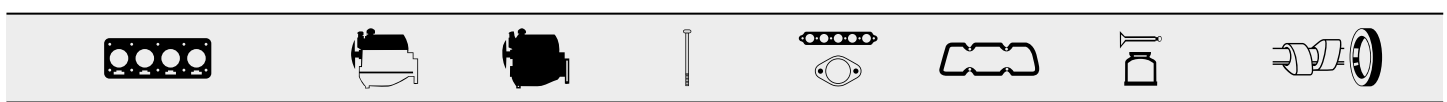
TD16409

941

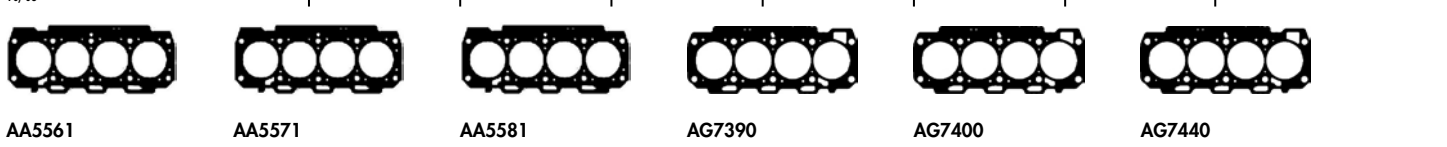
TB639 190x24 09/01→10/05	TBK283 09/01→10/05 Component No: TB639; AE1041TP;AE1182GP	CAM653		FOL104 (x8) [6]

[6] Mechanical [6] Mécanique [6] Meccanico [6] Mecánico

B x C x D	E x F x G
V94064 ■ 35.50 x 8.00 x 115.00	VAG96124 ■ ■ ■ 42.90 x 8.02 x 14.06
V94470 ■ 35.30 x 8.00 x 115.00	VAG96203 ■ ■ ■ 43.00 x 8.03 x 14.08
V94065 ■ 34.50 x 8.00 x 115.00	VAG96210 ■ ■ ■ 43.00 x 8.04 x 14.04
V94471 ■ 34.50 x 8.00 x 115.00	
V94590 ■ 34.45 x 8.00 x 115.00	
OE: 608 14 605, 46 750 859, 608 14 604, 46 783 962	
MAT.: MB cr, MG cr, MD cr, MG cr, MG cr	
Angles: 45°, 45°, 45°, 45°, 45°	
Other: H, H, H, H, H, ss, H	



AA5561 MLS, 0.820mm, 0 Holes →09/03	CA5560 ▲ →Eng.4081110	FA5560 ▲	HBS227 ☒ M12x1.25x218.00mm (x10)	JA5035 ■ JD468 ■ MLS	JM5028 (Elastomer) →Eng.4081110	HR363 ■	NA5053 30.00x42.00x7.00mm FPM
AA5571 MLS, 0.920mm, 1 Hole →09/03	CA5561 ▲ Eng.4081111→				JM5204 (Elastomer) Eng.4081111→		
AA5581 MLS, 1.020mm, 2 Holes →09/03							
AG7440 MLS 10/03→							
AG7390 MLS, 0.820mm 10/03→							
AG7400 MLS, 0.920mm, 1 Hole 10/03→							



AA5561 AA5571 AA5581 AG7390 AG7400 AG7440

219



82.00

Diesel



188 B2.000

4 Cyl.

18:1

1910cc

74kW (101)PS

Turbo Intercooled

TD18316

944

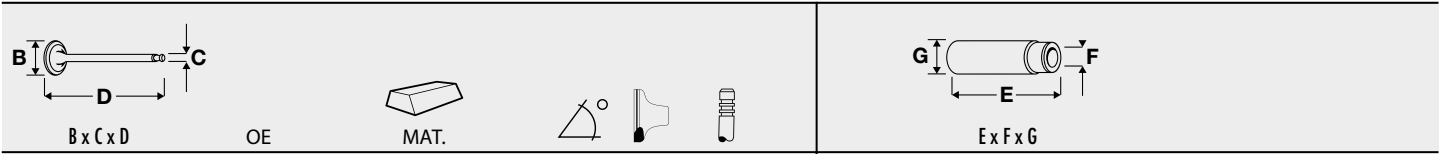
TB639 190x24	TBK283 Component No: TB639; AE1041TP;AE1182GP	CAM654	KIT	FOL104 (x8) [6]

[6] Mechanical

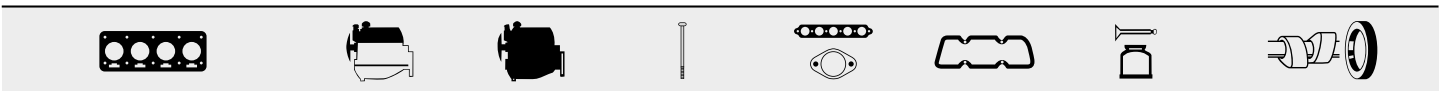
[6] Mécanique

[6] Meccanico

[6] Mecánico



VAG96210 III E
43.00 x 8.04 x 14.04



<p>AA5561 MLS, 0.820mm, 0 Holes →09/03</p> <p>AA5571 MLS, 0.920mm, 1 Hole →09/03</p> <p>AA5581 MLS, 1.020mm, 2 Holes →09/03</p> <p>AG7440 MLS 10/03 →</p> <p>AG7390 MLS, 0.820mm 10/03 →</p> <p>AG7400 MLS, 0.920mm, 1 Hole 10/03 →</p>	<p>CA5560 ▲ →Eng.4081110</p> <p>CA5561 ▲ Eng.4081111 →</p>	<p>FA5560 ▲</p>	<p>HBS227 ☒ M12x1.25x218.00mm (x10)</p>	<p>JA5035 ■ JD468 ■ MLS</p>	<p>JM5028 (Elastomer) →Eng.4081110</p> <p>JM5204 (Elastomer) Eng.4081111 →</p>	<p>HR363 ■</p>	<p>NA5053 30.00x42.00x7.00mm FPM</p>
---	--	------------------------	--	---	--	-----------------------	---



AA5561



AA5571



AA5581



AG7390



AG7400



AG7440



188 B2.000

4 Cyl.

18:1

1910cc

74kW (101)PS

Turbo Intercooled

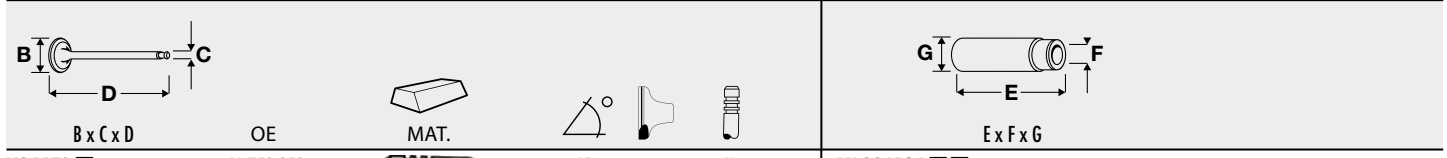
TD18291

942

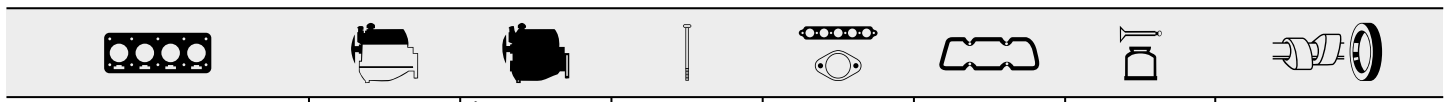


TB639 190x24 →10/05	TBK283 →10/05 Component No: TB639; AE1041TP;AE1182GP	CAM654	FOL104 (x8) [6]
----------------------------------	--	---------------	------------------------

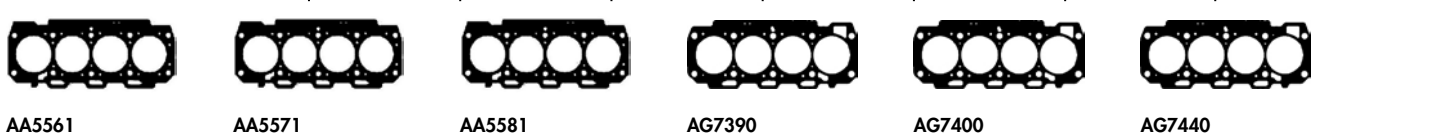
[6] Mechanical [6] Mécanique [6] Meccanico [6] Mecánico



B x C x D	OE	MAT.	Angle	Height	E x F x G
V94470 ■ 35.30 x 8.00 x 115.00	46 750 859		45°	H	VAG96124 ■ ■ ■ 42.90 x 8.02 x 14.06
V94471 ■ 34.50 x 8.00 x 115.00	46 783 962		45°	H	VAG96203 ■ ■ ■ 43.00 x 8.03 x 14.08
					VAG96210 ■ ■ ■ 43.00 x 8.04 x 14.04



AA5561 MLS, 0.820mm, 0 Holes →09/03	CA5560 ▲ →Eng.4081110	FA5560 ▲	HBS227 ☉ M12x1.25x218.00mm (x10)	JA5035 ■ JD468 ■ MLS	JM5028 (Elastomer) →Eng.4081110	HR363 ■	NA5053 30.00x42.00x7.00mm FPM
AA5571 MLS, 0.920mm, 1 Hole →09/03	CA5561 ▲ Eng.4081111→				JM5204 (Elastomer) Eng.4081111→		
AA5581 MLS, 1.020mm, 2 Holes →09/03							
AG7440 MLS 10/03→							
AG7390 MLS, 0.820mm 10/03→							
AG7400 MLS, 0.920mm, 1 Hole 10/03→							



AA5561 AA5571 AA5581 AG7390 AG7400 AG7440



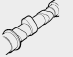



221

 **82.00**

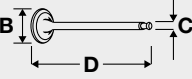

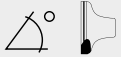

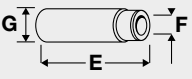
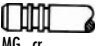
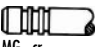
Diesel

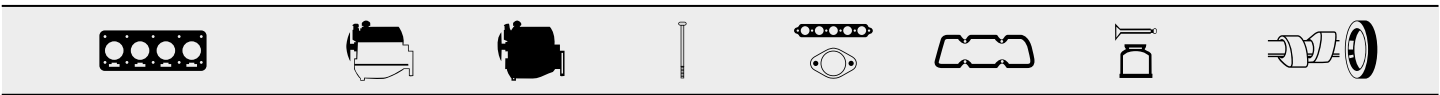


192 A1.000 4 Cyl. 18.5:1 1910cc **85kW (115)PS** **Turbo Intercooled** **TD16398** **945**

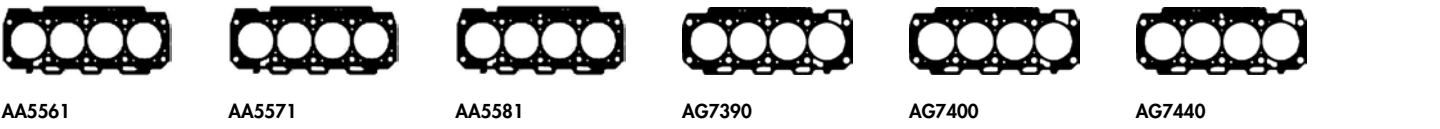
					
TB639 190x24	TBK283 Component No: TB639; AE1041TP;AE1182GP	CAM654	KIT		FOL104 (x8) [6]

[6] Mechanical [6] Mécanique [6] Meccanico [6] Mecánico

					
B x C x D	OE	MAT.			E x F x G
V94470 ■	46 750 859		45°	H	VAG96124 ■ ■ ■
35.30 x 8.00 x 115.00		MG cr			42.90 x 8.02 x 14.06
V94471 ■	46 783 962		45°	H	VAG96203 ■ ■ ■
34.50 x 8.00 x 115.00		MG cr			43.00 x 8.03 x 14.08
					VAG96210 ■ ■ ■
					43.00 x 8.04 x 14.04



AA5561 MLS, 0.820mm, 0 Holes →09/03	CA5560 ▲ →Eng.4081110	FA5560 ▲	HBS227 Ⓢ M12x1.25x218.00mm (x10)	JA5035 ■ JD468 ■ MLS	JM5028 (Elastomer) →Eng.4081110 JM5204 (Elastomer) Eng.4081111→	HR363 ■	NA5053 30.00x42.00x7.00mm FPM
---	---------------------------------	-----------------	--	--	--	----------------	---



AA5561 **AA5571** **AA5581** **AG7390** **AG7400** **AG7440**



192 A3.000

4 Cyl.

18.5:1

1910cc

59kW (80)PS

Turbo Intercooled

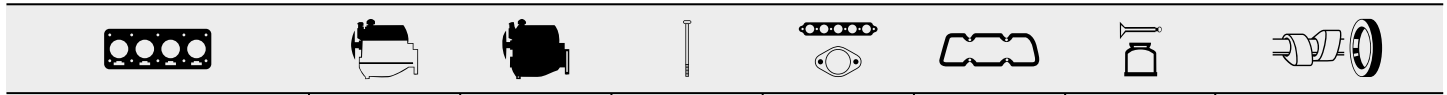
TD16397

941

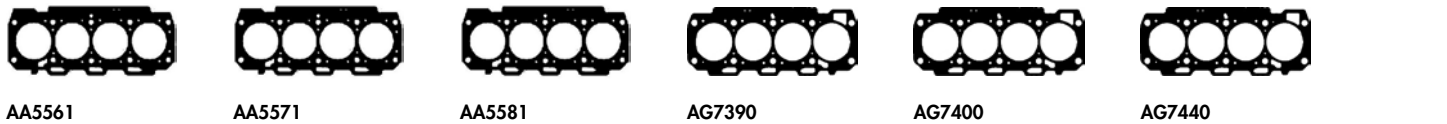
TB639 190x24	TBK283 Component No: TB639; AE1041TP;AE1182GP	CAM654	KIT	FOL104 (x8) [6]

[6] Mechanical [6] Mécanique [6] Meccanico [6] Mecánico

B x C x D	OE	MAT.	45°	H	E x F x G
V94064 ■	608 14 605		45°	H	VAG96124 ■ ■ ■
35.50 x 8.00 x 115.00		MB cr			42.90 x 8.02 x 14.06
V94470 ■	46 750 859		45°	H	VAG96203 ■ ■ ■
35.30 x 8.00 x 115.00		MG cr			43.00 x 8.03 x 14.08
V94065 ■	608 14 604		45°		VAG96210 ■ ■ ■
34.50 x 8.00 x 115.00		MD cr			43.00 x 8.04 x 14.04
V94471 ■	46 783 962		45°	H	
34.50 x 8.00 x 115.00		MG cr			
V94590 ■			45°	ss H	
34.45 x 8.00 x 115.00		MG cr			



AA5561 MLS, 0.820mm, 0 Holes →09/03	CA5560 ▲ →Eng.4081110	FA5560 ▲	HBS227 ☒ M12x1.25x218.00mm (x10)	JA5035 ■ JD468 ■ MLS	JM5028 (Elastomer) →Eng.4081110	HR363 ■	NA5053 30.00x42.00x7.00mm FPM
AA5571 MLS, 0.920mm, 1 Hole →09/03	CA5561 ▲ Eng.4081111→				JM5204 (Elastomer) Eng.4081111→		
AA5581 MLS, 1.020mm, 2 Holes →09/03	CG7390 ▲ 10/03→						
AG7440 MLS 10/03→							
AG7390 MLS, 0.820mm 10/03→							
AG7400 MLS, 0.920mm, 1 Hole 10/03→							



AA5561

AA5571

AA5581

AG7390

AG7400

AG7440

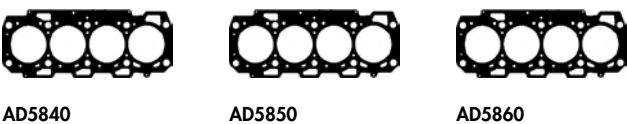
223	82.00	Diesel					
------------	--------------	---------------	--	--	--	--	--

192 A5.000	4 Cyl.	18.5:1	1910cc	103kW (140)PS	Turbo Intercooled	TD17980	946
192 B1.000	4 Cyl.	18.5:1	1910cc	100kW (136)PS	Turbo Intercooled	TD18944	946

TB725 198x24	TBK350 Component No: TB725; AEI182GP;AEI041TP		KIT		FOL187 (x16)

B x C x D	OE	MAT.					E x F x G
V94588 ■ 27.90 x 6.00 x 114.00 →06/06	46 802 049	 MB cr	45°	Y	H		
V98005 ■ 28.00 x 5.00 x 114.40 07/06→	55206431	 MB cr	45°				
V94589 ■ 25.80 x 6.00 x 114.30 →06/06	46 787 902	 MG cr	45°		H		
V98006 ■ 24.50 x 5.00 x 114.40 07/06→	55205183	 MG cr	45°				

AD5840 MLS, 0.820mm, 0 Holes	CD5840 ▲	HBS370 ⊗ M12x1.25x225.00mm (x10)	JD5376 ■	JM7055 (Steel Elastomer)	HR5095 ■	NA5053 30.00x42.00x7.00mm FPM
AD5850 MLS, 0.920mm, 1 Hole						
AD5860 MLS, 1.020mm, 2 Holes						



FIAT GROUP

224



82.00

Diesel



192 A5.000 Euro 3 (D3)	4 Cyl.	18.5:1	1910cc	103kW (140)PS	Turbo Intercooled	TD17981	946
192 B1.000	4 Cyl.	18.5:1	1910cc	100kW (136)PS	Turbo Intercooled	TD19061	946

TB725 198x24	TBK350 Component No: TB725; AE1182GP;AE1041TP		KIT		FOL187 (x16)

B x C x D	E x F x G					
V94588 ■ 27.90 x 6.00 x 114.00	46 802 049		45°	Y	H	
V94589 ■ 25.80 x 6.00 x 114.30	46 787 902		45°		H	

AD5840 MLS, 0.820mm, 0 Holes AD5850 MLS, 0.920mm, 1 Hole AD5860 MLS, 1.020mm, 2 Holes	CD5840 ▲	HBS370 ☒ M12x1.25x225.00mm (x10)	JD5376 ■	JM7055 (Steel Elastomer)	HR5095 ■	NA5053 30.00x42.00x7.00mm FPM
AD5840	AD5850	AD5860				

225



82.00

Diesel



192 A8.000	4 Cyl.	1910cc	88kW (120)PS	Turbo Intercooled	TD20238	947
------------	--------	--------	--------------	-------------------	---------	-----

TB639 190x24	TBK283 Component No: TB639; AE1041TP;AE1182GP	CAM654			FOL104 (x8) [6]
[6] Mechanical	[6] Mécanique	[6] Meccanico	[6] Mecánico		

B x C x D	E x F x G					
V94470 ■ 35.30 x 8.00 x 115.00	46 750 859		45°		H	VAG96124 ■ ■ ■ 42.90 x 8.02 x 14.06
V94471 ■ 34.50 x 8.00 x 115.00	46 783 962		45°		H	VAG96203 ■ ■ ■ 43.00 x 8.03 x 14.08
						VAG96210 ■ ■ ■ 43.00 x 8.04 x 14.04

AG7440 MLS AG7390 MLS, 0.820mm AG7400 MLS, 0.920mm, 1 Hole	CA5561 ▲ CG7390 ▲	HBS227 ☒ M12x1.25x218.00mm (x10)				NA5053 30.00x42.00x7.00mm FPM
AG7390	AG7400	AG7440				

226	82.00	Diesel					
192 A9.000	4 Cyl.	18.45:1	1910cc	74kW (100)PS	Turbo Intercooled	TD18451	948
TB639 190x24		CAM654			FOL104 (x8) [6]		
[6] Mechanical	[6] Mécanique	[6] Meccanico	[6] Mecánico				

B x C x D	E x F x G
OE	
MAT.	
V94470	VAG96124
35.30 x 8.00 x 115.00	42.90 x 8.02 x 14.06
V94471	VAG96203
34.50 x 8.00 x 115.00	43.00 x 8.03 x 14.08
	VAG96210
	43.00 x 8.04 x 14.04

AG7440 MLS	CA5560 ▲	HBS227	JD468	JM5028	HR363	NA5053
AG7390 MLS, 0.820mm	→Eng.4081110	M12x1.25x218.00mm (x10)	MLS	(Elastomer)		30.00x42.00x7.00mm FPM
AG7400 MLS, 0.920mm, 1 Hole	CA5561 ▲			→Eng.4081110		
	Eng.4081111→			JM5204		
				(Elastomer)		
				Eng.4081111→		
AG7390	AG7400	AG7440				

227	82.00	Diesel					
192 B4.000	4 Cyl.	18:1	1910cc	85kW (116)PS	Turbo Intercooled	TD24592	949
939 A7.000	4 Cyl.		1910cc	85kW (115)PS	Turbo Intercooled	TD20263	960
AG7440 MLS	CG7390 ▲	HBS227	JD468	JM5204	HR363	NA5053	
AG7390 MLS, 0.820mm		M12x1.25x218.00mm (x10)	MLS	(Elastomer)		30.00x42.00x7.00mm FPM	
AG7400 MLS, 0.920mm, 1 Hole							
AG7390	AG7400	AG7440					

FIAT GROUP

228



82.00

Diesel



192 B5.000

4 Cyl.

1910cc

66kW (90)PS

Turbo Intercooled

TD19308

948

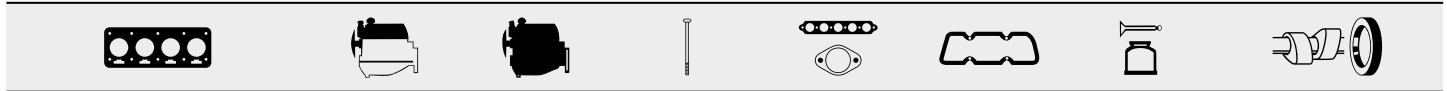
TB639 190x24	TBK283 Component No: TB639; AE1041TP;AE1182GP	CAM653			FOL104 (x8) [6]

[6] Mechanical

[6] Mécanique

[6] Meccanico

[6] Mecánico



AG7440 MLS AG7390 MLS, 0.820mm AG7400 MLS, 0.920mm, 1 Hole	CG7390 ▲	HBS227 ☼ M12x1.25x218.00mm (x10)	JD468 ☒ MLS	JM5204 (Elastomer)	HR363 ☒	NA5053 30.00x42.00x7.00mm FPM
---	-----------------	--	-----------------------	------------------------------	----------------	---



AG7390

AG7400

AG7440

229



82.00

Diesel



199 A5.000

4 Cyl.

18:1

1910cc

96kW (131)PS

Turbo Intercooled

TD20762

950

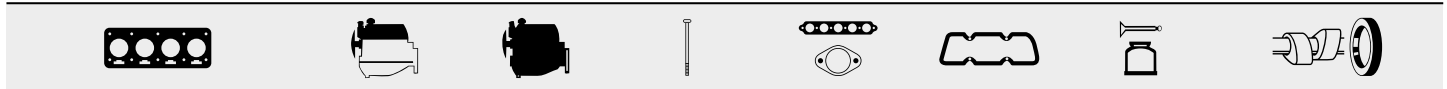
TB639 190x24	TBK283 Component No: TB639; AE1041TP;AE1182GP	CAM654			FOL104 (x8) [6]

[6] Mechanical

[6] Mécanique

[6] Meccanico

[6] Mecánico



AG7440 MLS AG7390 MLS, 0.820mm AG7400 MLS, 0.920mm, 1 Hole	CG7390 ▲	HBS227 ☼ M12x1.25x218.00mm (x10)	JD468 ☒ MLS	JM5204 (Elastomer)	HR363 ☒	NA5053 30.00x42.00x7.00mm FPM
---	-----------------	--	-----------------------	------------------------------	----------------	---



AG7390

AG7400

AG7440

230

82.00

Diesel



223 A6.000 Euro 3 (D3)

4 Cyl.

22.6:1

1910cc

46-48kW (63-65)PS

TD15829

951

TB608 193x24	TBK352 Eng.→3646771 Component No: TB608; AE1087GP;AE1041TP TBK094 Eng.3646772→ Component No: TB608; AE1041TP;AE1182GP	CAM653	FOL104 (x8) [6]

[6] Mechanical

[6] Mécanique

[6] Meccanico

[6] Mecánico

	OE	MAT.			
B x C x D					E x F x G
V94064 ■■ 35.50 x 8.00 x 115.00	608 14 605	 MB cr	45°	H	VAG96124 ■■ ■ 42.90 x 8.02 x 14.06
V94470 ■■ 35.30 x 8.00 x 115.00	46 750 859	 MG cr	45°	H	VAG96203 ■■ ■ 43.00 x 8.03 x 14.08
V94065 ■ 34.50 x 8.00 x 115.00	608 14 604	 MD cr	45°		VAG96210 ■■ ■ 43.00 x 8.04 x 14.04
V94471 ■ 34.50 x 8.00 x 115.00	46 783 962	 MG cr	45°	H	
V94590 ■ 34.45 x 8.00 x 115.00		 MG cr	45°	ss H	

BZ791 MLS, 0.800mm BZ801 MLS, 0.900mm, 1 Notch BZ811 MLS, 1.0mm, 2 Notches	DZ790 ▲	GZ790 ▲	HBS227 ☉ M12x1.25x218.00mm (x10)	JA5011 ■ (x4) (Elastomer) JD468 ■ MLS	JM5003 (Elastomer)	HR363 ■	NA5053 30.00x42.00x7.00mm FPM



BZ791



BZ801



BZ811

FIAT GROUP

231



82.00

Diesel



223 A7.000

4 Cyl.

18.5:1

1910cc

77kW (105)PS

Turbo Intercooled

TD18318

942

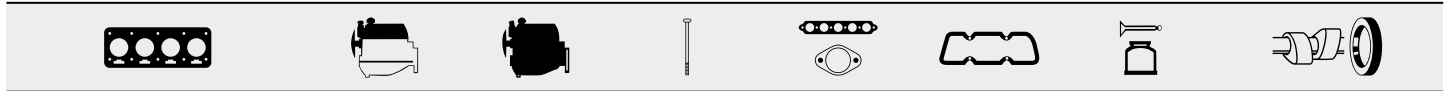
TB639 190x24	TBK283 Component No: TB639; AE1041TP;AE1182GP	CAM654	KIT		FOL104 (x8) [6]

[6] Mechanical

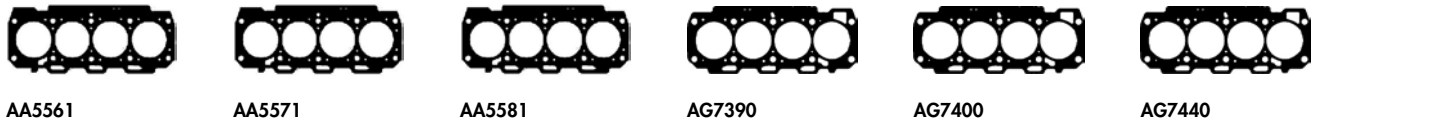
[6] Mécanique

[6] Meccanico

[6] Mecánico



AA5561 MLS, 0.820mm, 0 Holes →09/03	CA5560 ▲ →Eng.4081110	FA5560 ▲ →Eng.4081110	HBS227 ☼ M12x1.25x218.00mm (x10)	JA5035 ■ JD468 ■ MLS	JM5028 (Elastomer) →Eng.4081110 JM5204 (Elastomer) Eng.4081111→	HR363 ■	NA5053 30.00x42.00x7.00mm FPM
---	---------------------------------	---------------------------------	--	--	--	----------------	---



AA5561

AA5571

AA5581

AG7390

AG7400

AG7440

232



82.00

Diesel



223 B1.000

4 Cyl.

18.5:1

1910cc

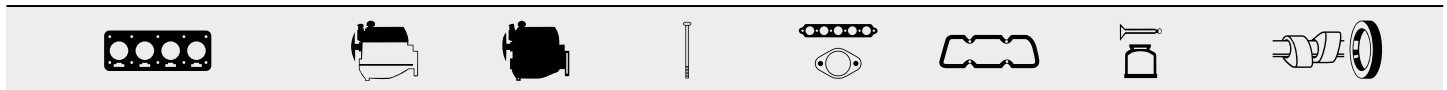
77kW (105)PS

Turbo Intercooled

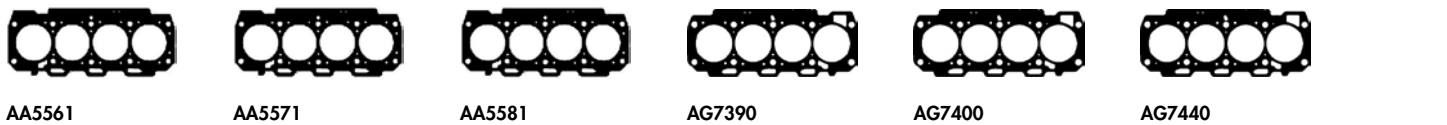
TD20245

938

TB639 190x24	TBK283 Component No: TB639; AE1041TP;AE1182GP		KIT		



AA5561 MLS, 0.820mm, 0 Holes →09/03	CA5560 ▲ →Eng.4081110	FA5560 ▲ →Eng.4081110	HBS227 ☼ M12x1.25x218.00mm (x10)	JA5035 ■ JD468 ■ MLS	JM5028 (Elastomer) →Eng.4081110 JM5204 (Elastomer) Eng.4081111→	HR363 ■	NA5053 30.00x42.00x7.00mm FPM
---	---------------------------------	---------------------------------	--	--	--	----------------	---



AA5561

AA5571

AA5581

AG7390

AG7400

AG7440

233	82.00	Diesel					
223 B2.000	4 Cyl.	18.5:1	1910cc	74kW (100)PS	Turbo Intercooled	TD20246	938
TB639 190x24	TBK104 →05/03 Component No: TB639; AE1041TP;AE1087GP TBK283 05/03→ Component No: TB639; AE1041TP;AE1182GP					FOL104 (x8) [6]	

[6] Mechanical [6] Mécanique [6] Meccanico [6] Mecánico

AA5561 MLS, 0.820mm, 0 Holes →09/03 AA5571 MLS, 0.920mm, 1 Hole →09/03 AA5581 MLS, 1.020mm, 2 Holes →09/03 AG7440 MLS 10/03→ AG7390 MLS, 0.820mm 10/03→ AG7400 MLS, 0.920mm, 1 Hole 10/03→	CA5560 ▲ →Eng.4081110 CA5561 ▲ Eng.4081111→	FA5560 ▲ →Eng.4081110	HBS227 ☒ M12x1.25x218.00mm (x10)	JA5035 ■ JD468 ■ MLS	JM5028 (Elastomer) →Eng.4081110 JM5204 (Elastomer) Eng.4081111→	HR363 ■	NA5053 30.00x42.00x7.00mm FPM
AA5561	AA5571	AA5581	AG7390	AG7400	AG7440		

234	82.00	Diesel					
844 A1.000	4 Cyl.	16.1:1	1910cc	140kW (190)PS	Bi-Turbocharged Intercooled	TD21044	952
						FOL187 (x16)	



937 A2.000

4 Cyl.

1910cc

85kW (116)PS

Turbo Intercooled

TD18313

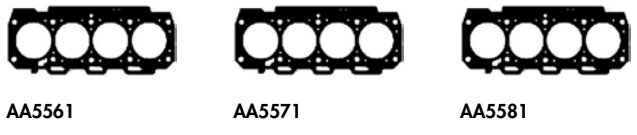
953

TB639 190x24 →10/05	TBK283 →10/05 Component No: TB639; AE1041TP;AE1182GP	CAM654		FOL104 (x8) [6]



[6] Mechanical [6] Mécanique [6] Meccanico [6] Mecánico



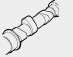



	OE	MAT.			
B x C x D					E x F x G
V94064 ■	608 14 605		45°	H	VAG96124 ■ ■ ■
35.50 x 8.00 x 115.00		MB cr			42.90 x 8.02 x 14.06
V94470 ■	46 750 859		45°	H	VAG96203 ■ ■ ■
35.30 x 8.00 x 115.00		MG cr			43.00 x 8.03 x 14.08
V94065 ■	608 14 604		45°		VAG96210 ■ ■ ■
34.50 x 8.00 x 115.00		MD cr			43.00 x 8.04 x 14.04
V94471 ■	46 783 962		45°	H	
34.50 x 8.00 x 115.00		MG cr			
V94590 ■			45°	ss H	
34.45 x 8.00 x 115.00		MG cr			

AA5561 MLS, 0.820mm, 0 Holes	CA5560 ▲ →Eng.4081110	FA5560 ▲ →Eng.4081110	HBS227 ☒ M12x1.25x218.00mm (x10)	JA5035 ■ JD468 ■ MLS	JM5028 (Elastomer) →Eng.4081110	HR363 ■	NA5053 30.00x42.00x7.00mm FPM
AA5571 MLS, 0.920mm, 1 Hole	CA5561 ▲ Eng.4081111→				JM5204 (Elastomer) Eng.4081111→		
AA5581 MLS, 1.020mm, 2 Holes							

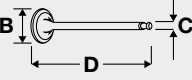
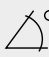

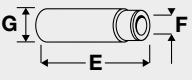
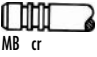
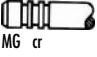
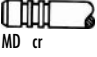
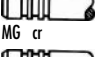
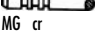





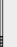

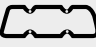

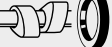
AA5561 AA5571 AA5581

236	 82.00	Diesel					
937 A2.000	4 Cyl.	18.45:1	1910cc	85kW (115)PS	Turbo Intercooled	TD16382	954

					
TB639 190x24	TBK283 Component No: TB639; AE1041TP;AE1182GP	CAM654			FOL104 (x8) [6]

[6] Mechanical [6] Mécanique [6] Meccanico [6] Mecánico

	OE	MAT.			
B x C x D					E x F x G
V94064 ■ 35.50 x 8.00 x 115.00 →12/00	608 14 605	 MB cr	45°	H	VAG96203 ■ ■ 43.00 x 8.03 x 14.08
V94470 ■ 35.30 x 8.00 x 115.00 01/01→	46 750 859	 MG cr	45°	H	VAG96210 ■ ■ 43.00 x 8.04 x 14.04
V94065 ■ 34.50 x 8.00 x 115.00	608 14 604	 MD cr	45°		
V94471 ■ 34.50 x 8.00 x 115.00	46 783 962	 MG cr	45°	H	
V94590 ■ 34.45 x 8.00 x 115.00		 MG cr	45°	ss H	

							
AA5561 MLS, 0.820mm, 0 Holes AA5571 MLS, 0.920mm, 1 Hole AA5581 MLS, 1.020mm, 2 Holes	CA5560 ▲ →Eng.4081110 CA5561 ▲ Eng.4081111→	FA5560 ▲ →Eng.4081110	HBS227 Ⓢ M12x1.25x218.00mm (x10)	JA5035 ■ (Metal) JD468 ■ MLS	JM5028 (Elastomer) →Eng.4081110 JM5204 (Elastomer) Eng.4081111→	HR363 ■	NA5053 30.00x42.00x7.00mm FPM



AA5561



AA5571



AA5581

FIAT GROUP

237



82.00

Diesel



937 A3.000

4 Cyl.

1910cc

88kW (120)PS

Turbo Intercooled

TD20727

948

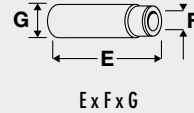
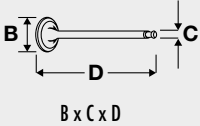


KIT

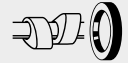
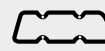


TB639
190x24

TBK283
Component No: TB639;
AE1041TP;AE1182GP



B x C x D	OE	MAT.		
V94470 ■ 35.30 x 8.00 x 115.00	46 750 859	MG cr	45°	H
V94065 ■ 34.50 x 8.00 x 115.00	608 14 604	MD cr	45°	
V94471 ■ 34.50 x 8.00 x 115.00	46 783 962	MG cr	45°	H



AA5561 MLS, 0.820mm, 0 Holes
AA5571 MLS, 0.920mm, 1 Hole
AA5581 MLS, 1.020mm, 2 Holes

CA5560 ▲
→Eng.4081110
CA5561 ▲
Eng.4081111→

FA5560 ▲
→Eng.4081110

HBS227 ☒
M12x1.25x218.00mm (x10)

JA5035 ■
JD468 ■
MLS

JM5028
(Elastomer)
→Eng.4081110
JM5204
(Elastomer)
Eng.4081111→

HR363 ■

NA5053
30.00x42.00x7.00mm FPM



AA5561

AA5571

AA5581

238



82.00

Diesel



937 A4.000

4 Cyl.

1910cc

93-103kW (126-140)PS

Turbocharged

TD18844

946



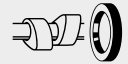
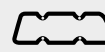
KIT



TB725
198x24

TBK350
Component No: TB725;
AE1182GP;AE1041TP

FOL187 (x16)



AD5840 MLS, 0.820mm, 0 Holes
AD5850 MLS, 0.920mm, 1 Hole
AD5860 MLS, 1.020mm, 2 Holes

CD5840 ▲

HBS370 ☒
M12x1.25x225.00mm (x10)

JD5376 ■

JM7055
(Steel Elastomer)

HR5095 ■

NA5053
30.00x42.00x7.00mm FPM



AD5840

AD5850

AD5860

239	82.00	Diesel						
937 A4.000	4 Cyl.	1910cc	93kW (126)PS	Turbo Intercooled	TD18943	946		
TB725 198x24	TBK350 Component No: TB725; AE1182GP;AE1041TP							FOL187 (x16) Eng: 4654872→
AD5840 MLS, 0.820mm, 0 Holes AD5850 MLS, 0.920mm, 1 Hole AD5860 MLS, 1.020mm, 2 Holes	CD5840 ▲		HBS370 ☒ M12x1.25x225.00mm (x10)	JD5376 ■	JM7055 (Steel Elastomer)	HR5095 ☒	NA5053 30.00x42.00x7.00mm FPM	
AD5840	AD5850	AD5860						

240	82.00	Diesel						
937 A5.000	4 Cyl.	17.5:1	1910cc	110kW (150)PS	Turbo Intercooled	TD18929	946	
TB790 199x24	TBK306 Component No: TB790; AE1182GP;AE1041TP							FOL187 (x16)
V94588 ■ 27.90 x 6.00 x 114.00 Eng.→5192515	46 802 049	 MB cr	45°	Y	H			
V98005 ■ 28.00 x 5.00 x 114.40 Eng.5192516→	55206431	 MB cr	45°					
V94589 ☒ 25.80 x 6.00 x 114.30 Eng.→5192515	46 787 902	 MG cr	45°		H			
V98006 ☒ 24.50 x 5.00 x 114.40 Eng.5192516→	55205183	 MG cr	45°					
AD5840 MLS, 0.820mm, 0 Holes AD5850 MLS, 0.920mm, 1 Hole AD5860 MLS, 1.020mm, 2 Holes	CD5840 ▲		HBS370 ☒ M12x1.25x225.00mm (x10)	JD5376 ■	JM7055 (Steel Elastomer)	HR5095 ☒	NA5053 30.00x42.00x7.00mm FPM	
AD5840	AD5850	AD5860						

FIAT GROUP

241



82.00

Diesel



937 A5.000

4 Cyl.

1910cc

110kW (150)PS

Turbo Intercooled

TD18078

946

TB725 198x24 For OE no: 46791189	TBK350 Component No: TB725; AE1182GP;AE1041TP		KIT		FOL187 (x16)
TB790 199x24 For OE no: 55183528	TBK306 Component No: TB790; AE1182GP;AE1041TP				

B x C x D	OE	E x F x G
V94588 ■ 27.90 x 6.00 x 114.00 →06/06	46 802 049	 45° Y H
V98005 ■ 28.00 x 5.00 x 114.40 07/06→	55206431	 45°
V94589 ■ 25.80 x 6.00 x 114.30 →06/06	46 787 902	 45° H
V98006 ■ 24.50 x 5.00 x 114.40 07/06→	55205183	 45°

AD5840 MLS, 0.820mm, 0 Holes AD5850 MLS, 0.920mm, 1 Hole AD5860 MLS, 1.020mm, 2 Holes	CD5840 ▲	HBS370 ☉ M12x1.25x225.00mm (x10)	JD5376 ■	JM7055 (Steel Elastomer)	HR5095 ■	NA5053 30.00x42.00x7.00mm FPM
AD5840	AD5850	AD5860				

242



82.00

Diesel



937 A6.000

4 Cyl.

17.5:1

1910cc

125kW (170)PS

Turbo Intercooled

TD24643

956

			KIT		FOL187 (x16)

AD5840 MLS, 0.820mm, 0 Holes AD5850 MLS, 0.920mm, 1 Hole AD5860 MLS, 1.020mm, 2 Holes	CD5840 ▲	HBS370 ☉ M12x1.25x225.00mm (x10)	JD5376 ■	JM7055 (Steel Elastomer)	HR5095 ■	NA5053 30.00x42.00x7.00mm FPM
AD5840	AD5850	AD5860				

243	82.00	Diesel				
937 A7.000	4 Cyl.	1910cc	85kW (115)PS	Turbo Intercooled	TD20933	958
TB639 190x24		CAM654			FOL104 (x8) [6]	

[6] Mechanical [6] Mécanique [6] Meccanico [6] Mecánico

AG7440 MLS AG7390 MLS, 0.820mm AG7400 MLS, 0.920mm, 1 Hole	CG7390 ▲	FA5560 ▲	HBS227 ☒ M12x1.25x218.00mm (x10)	JA5035 ■ JD468 ■ MLS	JM5204 (Elastomer) Eng.4081111→	HR363 ■	NA5053 30.00x42.00x7.00mm FPM
AG7390	AG7400	AG7440					

244	82.00	Diesel				
937 A7.000	4 Cyl.	1910cc	85kW (115)PS	Turbo Intercooled	TD19307	957

TB639 190x24	TBK283 Component No: TB639; AE1041TP;AE1182GP				FOL104 (x8) [6]

[6] Mechanical [6] Mécanique [6] Meccanico [6] Mecánico

V94470 ■ 35.30 x 8.00 x 115.00	V94471 ■ 34.50 x 8.00 x 115.00	VAG96124 ■ ■ ■ 42.90 x 8.02 x 14.06	VAG96203 ■ ■ ■ 43.00 x 8.03 x 14.08	VAG96210 ■ ■ ■ 43.00 x 8.04 x 14.04

AA5561 MLS, 0.820mm, 0 Holes →09/03	AA5571 MLS, 0.920mm, 1 Hole →09/03	AA5581 MLS, 1.020mm, 2 Holes →09/03	AG7390 MLS, 0.820mm 10/03→	AG7400 MLS, 0.920mm, 1 Hole 10/03→	AG7440 MLS 10/03→				
CA5560 ▲ →Eng.4081110	CA5561 ▲ Eng.4081111→	CG7390 ▲ 10/03→	FA5560 ▲	HBS227 ☒ M12x1.25x218.00mm (x10)	JA5035 ■ JD468 ■ MLS	JM5028 (Elastomer) →Eng.4081110	JM5204 (Elastomer) Eng.4081111→	HR363 ■	NA5053 30.00x42.00x7.00mm FPM
AA5561	AA5571	AA5581	AG7390	AG7400	AG7440				

FIAT GROUP

245



82.00

Diesel



937 A8.000

4 Cyl.

1910cc

100-100kW (136-136)PS

Turbo Intercooled

TD20271

959

TB790 199x24	TBK306 Component No: TB790; AE1182GP;AE1041TP				FOL187 (x16)

--	--	--	--	--	--	--	--

AD5840 MLS, 0.820mm, 0 Holes
AD5850 MLS, 0.920mm, 1 Hole
AD5860 MLS, 1.020mm, 2 Holes

CD5840 ▲

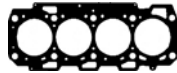
HBS370 ☒
M12x1.25x225.00mm (x10)

JD5376 ■

JM7055
(Steel Elastomer)

HR5095 ■

NA5053
30.00x42.00x7.00mm FPM



AD5840

AD5850

AD5860

246



82.00

Diesel



939 A1.000

4 Cyl.

1910cc

88kW (120)PS

Turbo Intercooled

TD18915

960

TB639 190x24	CAM654				FOL104 (x8) [6]

[6] Mechanical

[6] Mécanique

[6] Meccanico

[6] Mecánico

V94470 ■ 35.30 x 8.00 x 115.00	V94065 ■ 34.50 x 8.00 x 115.00	V94471 ■ 34.50 x 8.00 x 115.00	MG cr	MD cr	MG cr	H	H

B x C x D

OE

MAT.

45°

H

E x F x G

--	--	--	--	--	--	--	--

AG7440 MLS
AG7390 MLS, 0.820mm
AG7400 MLS, 0.920mm, 1 Hole

CG7390 ▲

HBS227 ☒
M12x1.25x218.00mm (x10)

JD468 ■
MLS

JM5204
(Elastomer)

HR363 ■

NA5053
30.00x42.00x7.00mm FPM



AG7390

AG7400

AG7440

247	82.00	Diesel	
939 A1.000	4 Cyl.	1910cc	88kW (120)PS
			Turbo Intercooled
			TD18448 945

TB639 190x24	TBK283 Component No: TB639; AE1041TP;AE1182GP	CAM654	FOL104 (x8) [6]

[6] Mechanical [6] Mécanique [6] Meccanico [6] Mecánico

	OE	MAT.		
B x C x D				E x F x G
V94588 ■ 27.90 x 6.00 x 114.00 →06/06	46 802 049		45° Y H	
V98005 ■ 28.00 x 5.00 x 114.40 07/06→	55206431		45°	
V94589 ■ 25.80 x 6.00 x 114.30 →06/06	46 787 902		45° H	
V98006 ■ 24.50 x 5.00 x 114.40 07/06→	55205183		45°	

AG7440 MLS	CG7390 ▲	HBS227 Ⓢ M12x1.25x218.00mm (x10)	JD468 ■ MLS	JMS204 (Elastomer)	HR363 ■	NA5053 30.00x42.00x7.00mm FPM
AG7390 MLS, 0.820mm						
AG7400 MLS, 0.920mm, 1 Hole						



AG7390



AG7400



AG7440

939 A2.000







4 Cyl.


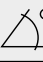


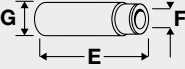
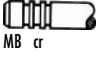
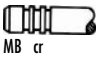
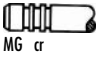
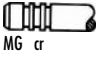
17.5:1






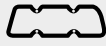

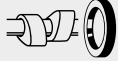
1910cc

110kW (150)PS

Turbo Intercooled
TD18473
961

					
TB790 199x24	TBK306 Component No: TB790; AE1182GP;AE1041TP				FOL187 (x16)

	OE	MAT.				
B x C x D						E x F x G
V94588 ■ 27.90 x 6.00 x 114.00 →06/06	46 802 049	 MB cr	45°	Y	H	
V98005 ■ 28.00 x 5.00 x 114.40 07/06→	55206431	 MB cr	45°			
V94589 ■ 25.80 x 6.00 x 114.30 →06/06	46 787 902	 MG cr	45°		H	
V98006 ■ 24.50 x 5.00 x 114.40 07/06→	55205183	 MG cr	45°			

							
AD5840 MLS, 0.820mm, 0 Holes			HBS370 ☒ M12x1.25x225.00mm (x10) →07/07	JD5376 ■ JD273 ■ MLS	JM7055 (Steel Elastomer)	HR5095 ■	NA5053 30.00x42.00x7.00mm FPM


AD5840

AD5850

AD5860

249	82.00	Diesel					
939 A2.000	4 Cyl.	17.5:1	1910cc	110kW (150)PS	Turbo Intercooled	TD18449	961
TB790 199x24	TBK306 Component No: TB790; AE1182GP;AE1041TP						FOL187 (x16) Eng: 4654872→











B x C x D	OE	MAT.				E x F x G
V94588 ■ 27.90 x 6.00 x 114.00 →06/06	46 802 049	 MB cr	45°	Y	H	
V98005 ■ 28.00 x 5.00 x 114.40 07/06→	55206431	 MB cr	45°			
V94589 ■ 25.80 x 6.00 x 114.30 →06/06	46 787 902	 MG cr	45°		H	
V98006 ■ 24.50 x 5.00 x 114.40 07/06→	55205183	 MG cr	45°			





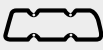

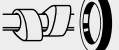



AD5840 MLS, 0.820mm, 0 Holes AD5850 MLS, 0.920mm, 1 Hole AD5860 MLS, 1.020mm, 2 Holes			HBS370 ☒ M12x1.25x225.00mm (x10) →07/07 HBS465 ☒ M12x1.25x220.00mm (x10) 07/07→	JD5376 ■ JD273 ■ MLS	JM7055 (Steel Elastomer)	HR5095 ■	NA5053 30.00x42.00x7.00mm FPM
AD5840	AD5850	AD5860					







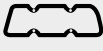





250	82.00	Diesel				
939 A7.000	4 Cyl.	1910cc	85kW (115)PS	Turbo Intercooled	TD18916	960
TB639 190x24 06/05→	TBK283 06/05→ Component No: TB639; AE1041TP;AE1182GP	CAM654				FOL104 (x8) [6]
[6] Mechanical	[6] Mécanique	[6] Meccanico	[6] Mecánico			

AG7440 MLS AG7390 MLS, 0.820mm AG7400 MLS, 0.920mm, 1 Hole	CG7390 ▲		HBS227 ☒ M12x1.25x218.00mm (x10)	JD468 ■ MLS	JM5204 (Elastomer)	HR363 ■	NA5053 30.00x42.00x7.00mm FPM
AG7390	AG7400	AG7440					

FIAT GROUP

251	 82.00	Diesel					
939 A8.000	4 Cyl.	18.4:1	1910cc	100kW (136)PS	Turbo Intercooled	TD18925	963
							
TB790 199x24	TBK306 Component No: TB790; AE1182GP;AE1041TP		KIT				FOL187 (x16)

							
AD5840 MLS, 0.820mm, 0 Holes AD5850 MLS, 0.920mm, 1 Hole AD5860 MLS, 1.020mm, 2 Holes	CG7410 06/04→		HBS370 ☒ M12x1.25x225.00mm (x10) →07/07 HBS465 ☒ M12x1.25x220.00mm (x10) 07/07→	JD5376 ■ JD273 ■ MLS	JM7055 (Steel Elastomer)	HR5095 ■	NA5053 30.00x42.00x7.00mm FPM
							
AD5840	AD5850	AD5860					

252	 82.00	Diesel					
939 A8.000	4 Cyl.	18.4:1	1910cc	100kW (136)PS	Turbo Intercooled	TD25733	962
							
AD5840 MLS, 0.820mm, 0 Holes AD5850 MLS, 0.920mm, 1 Hole AD5860 MLS, 1.020mm, 2 Holes	CG7410 06/04→		HBS370 ☒ M12x1.25x225.00mm (x10) →07/07 HBS465 ☒ M12x1.25x220.00mm (x10) 07/07→	JD5376 ■ JD273 ■ MLS	JM7055 (Steel Elastomer)	HR5095 ■	NA5053 30.00x42.00x7.00mm FPM
							
AD5840	AD5850	AD5860					

253	82.00	Diesel	
AR 32302	4 Cyl.	18.5:1	1910cc
			77kW (105)PS
			Turbocharged
			TD9769 937

TB639 190x24	TBK104 Component No: TB639; AE1041TP;AE1087GP	CAM651	FOL104 (x8) [6]

[6] Mechanical [6] Mécanique [6] Meccanico [6] Mecánico

	OE	MAT.			
B x C x D					E x F x G
V94064 ■	608 14 605		45°	H	VAG96203 ■ ■
35.50 x 8.00 x 115.00 →12/00		MB cr			43.00 x 8.03 x 14.08
V94470 ■	46 750 859		45°	H	VAG96210 ■ ■
35.30 x 8.00 x 115.00 01/01→		MG cr			43.00 x 8.04 x 14.04
V94065 ■	608 14 604		45°		
34.50 x 8.00 x 115.00		MD cr			
V94471 ■	46 783 962		45°	H	
34.50 x 8.00 x 115.00		MG cr			

AY520 MLS, 1.600mm, 0 Holes AY530 MLS, 1.700mm, 1 Hole AY540 MLS, 1.800mm, 2 Holes	CY550 ▲	FY550 ▲	HBS227 ⊗ M12x1.25x218.00mm (x10)	JA5035 ■ JD468 ■ MLS	JP063	HR363 ■	NA5053 30.00x42.00x7.00mm FPM

AY520, AY530, AY540



AR 32302 4 Cyl. 18.5:1 1910cc 77kW (105)PS Turbocharged TD17398 937

TB639 190x24	TBK283 Eng.→4130907 Component No: TB639; AE1041TP;AE1182GP	CAM651		FOL104 (x8) [6]

[6] Mechanical [6] Mécanique [6] Meccanico [6] Mecánico

	OE	MAT.			
B x C x D			45°	H	E x F x G
V94064 ■	608 14 605		45°	H	VAG96124 ■ ■ ■
35.50 x 8.00 x 115.00		MB cr			42.90 x 8.02 x 14.06
V94470 ■	46 750 859		45°	H	VAG96203 ■ ■ ■
35.30 x 8.00 x 115.00		MG cr			43.00 x 8.03 x 14.08
V94065 ■	608 14 604		45°		VAG96210 ■ ■ ■
34.50 x 8.00 x 115.00		MD cr			43.00 x 8.04 x 14.04
V94471 ■	46 783 962		45°	H	
34.50 x 8.00 x 115.00		MG cr			
V94590 ■			45°	ss H	
34.45 x 8.00 x 115.00		MG cr			

AY520 MLS, 1.600mm, 0 Holes	CY550 ▲	FY550 ▲	HBS227 ☒ M12x1.25x218.00mm (x10)	JA5035 ■ JD468 ■ MLS	JP063	HR363 ■	NA5053 30.00x42.00x7.00mm FPM

AY520, AY530, AY540

255

82.00

Diesel



AR 37101

4 Cyl.

18.5:1

1910cc

80-85kW (109-116)PS

Turbo Intercooled

TD17890

964

TB639 190x24	TBK283 Eng. → 4130907 Component No: TB639; AE1041TP; AE1182GP	CAM654		FOL104 (x8) [6]

[6] Mechanical

[6] Mécanique

[6] Meccanico

[6] Mecánico

 B x C x D	OE	MAT.					 E x F x G
V94064 ■	608 14 605		45°		H		VAG96124 ■ ■ ■
35.50 x 8.00 x 115.00		MB cr					42.90 x 8.02 x 14.06
V94470 ■	46 750 859		45°		H		VAG96203 ■ ■ ■
35.30 x 8.00 x 115.00		MG cr					43.00 x 8.03 x 14.08
V94065 ■	608 14 604		45°				VAG96210 ■ ■ ■
34.50 x 8.00 x 115.00		MD cr					43.00 x 8.04 x 14.04
V94471 ■	46 783 962		45°		H		
34.50 x 8.00 x 115.00		MG cr					
V94590 ■			45°	ss	H		
34.45 x 8.00 x 115.00		MG cr					

AA5561 MLS, 0.820mm, 0 Holes AA5571 MLS, 0.920mm, 1 Hole AA5581 MLS, 1.020mm, 2 Holes	CA5560 ▲ → Eng. 4081110 CA5561 ▲ Eng. 4081111 →	FA5560 ▲	HBS227 Ⓢ M12x1.25x218.00mm (x10)	JA5035 ■ JD468 ■ MLS	JM5028 (Elastomer) → Eng. 4081110 JM5204 (Elastomer) Eng. 4081111 →	HR363 ■	NA5053 30.00x42.00x7.00mm FPM



AA5561



AA5571



AA5581



AR 37101 4 Cyl. 18.5:1 1910cc 81kW (110)PS TD15510 954

TB639 190x24	TBK283 Component No: TB639; AE1041TP;AE1182GP	CAM654		FOL104 (x8) [6]

[6] Mechanical [6] Mécanique [6] Meccanico [6] Mecánico

B x C x D	E x F x G
V94470 ■ 35.30 x 8.00 x 115.00	VAG96203 ■ ■ ■ 43.00 x 8.03 x 14.08
V94471 ■ 34.50 x 8.00 x 115.00	VAG96210 ■ ■ ■ 43.00 x 8.04 x 14.04
V94590 ■ 34.45 x 8.00 x 115.00	

AA5561 MLS, 0.820mm, 0 Holes AA5571 MLS, 0.920mm, 1 Hole AA5581 MLS, 1.020mm, 2 Holes	CA5560 ▲ →Eng.4081110 CA5561 ▲ Eng.4081111→	FA5560 ▲	HBS227 ☒ M12x1.25x218.00mm (x10)	JA5035 ■ JD468 ■ MLS	JM5028 (Elastomer) →Eng.4081110 JM5204 (Elastomer) Eng.4081111→	HR363 ■	NA5053 30.00x42.00x7.00mm FPM



AA5561



AA5571



AA5581







257

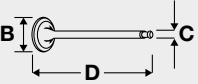
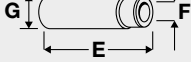


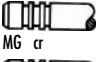
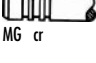
 82.00






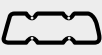




Diesel



D19AA 4 Cyl. 18:1 1910cc 88kW (120)PS Turbo Intercooled TD20930 950

					
TB639 190x24		CAM654			FOL104 (x8) [6]
[6] Mechanical	[6] Mécanique	[6] Meccanico	[6] Mecánico		

					
B x C x D	OE	MAT.			E x F x G
V94470 ■	46 750 859		45°	H	VAG96124 ■ ■
35.30 x 8.00 x 115.00		MG cr			42.90 x 8.02 x 14.06
V94471 ■	46 783 962		45°	H	VAG96203 ■ ■
34.50 x 8.00 x 115.00		MG cr			43.00 x 8.03 x 14.08
					VAG96210 ■ ■
					43.00 x 8.04 x 14.04

						
AG7440 MLS	CG7390 ▲	HBS227 Ⓢ	JD468 ■	JM5204	HR363 ■	NA5053
AG7390 MLS, 0.820mm		M12x1.25x218.00mm (x10)	MLS	(Elastomer)		30.00x42.00x7.00mm FPM
AG7400 MLS, 0.920mm, 1 Hole						
						
AG7390	AG7400	AG7440				

258

 **82.00**

Petrol



175 A3.000

5 Cyl.

8.5:1







1998cc

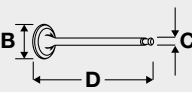
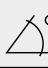

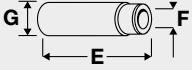
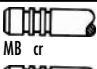
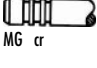
162kW (220)PS






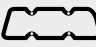

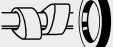
Turbocharged

TD11550

965

					
TB462 167x24 →05/01					FOL106 (x20) Height: 24mm

	OE	MAT.			
B x C x D					E x F x G
V91931 ■ 30.00 x 7.00 x 113.00	608 12 982	 MB cr	45°	H	VAG96123 ■ 42.25 x 7.02 x 13.05
V91932 ■ 26.00 x 7.00 x 108.50	608 12 981	 MG cr	45°	H	VAG96146 ■ 42.50 x 7.04 x 13.05
					VAG96229 ■ 42.50 x 7.04 x 13.08
					VAG96145 ■ 46.00 x 7.02 x 13.03
					VAG96230 ■ 46.00 x 7.02 x 13.06

							
AY320 MLS, 1.800mm	CY320	FY320	HBS133 ☉ M10x1.25x254.00mm (x12)	JD225 ■ JD226 ■	JN933	HR800 ■	NA5053 30.00x42.00x7.00mm FPM NA5069 55.00x68.00x8.00mm FPM



AY320

259

82.00

Petrol



175 A3.000

5 Cyl.

8.5:1

1998cc

162kW (220)PS

Turbo Intercooled

TD5491

965

TB462 167x24					FOL106 (x16) Height: 24mm FOL145 (x20) Height: 26mm

	OE	MAT.			
B x C x D					E x F x G
V91931 ■ 30.00 x 7.00 x 113.00	608 12 982	 MB cr	45°	H	VAG96123 ■ 42.25 x 7.02 x 13.05
V91932 ■ 26.00 x 7.00 x 108.50	608 12 981	 MG cr	45°	H	VAG96146 ■ 42.50 x 7.04 x 13.05
					VAG96229 ■ 42.50 x 7.04 x 13.08
					VAG96145 ■ 46.00 x 7.02 x 13.03
					VAG96230 ■ 46.00 x 7.02 x 13.06

AY320 MLS, 1.800mm	CY320	FY320	HBS133 ⊗ M10x1.25x254.00mm (x12)	JD225 ■ JD226 ■	JN933	HR800 ■	NA5053 30.00x42.00x7.00mm FPM NA5069 55.00x68.00x8.00mm FPM



AY320

260

 **82.00**

Petrol



182 A1.000

5 Cyl.







10:1

1998cc

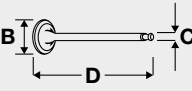
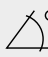

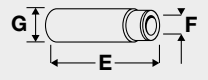
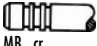
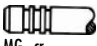
108kW (147)PS

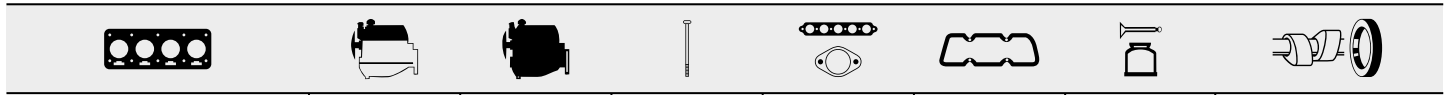
TD4397

966

					
TB462 167x24 11/96 →					
				FOL106 (x20) Height: 24mm FOL126 (x20) [6]	

[6] Mechanical [6] Mécanique [6] Meccanico [6] Mecánico

	OE	MAT.			
B x C x D					E x F x G
V91931 ■ 30.00 x 7.00 x 113.00	608 12 982	 MB cr	45°	H	VAG96123 ■ 42.25 x 7.02 x 13.05
V91932 ■ 26.00 x 7.00 x 108.50	608 12 981	 MG cr	45°	H	VAG96146 ■ 42.50 x 7.04 x 13.05
					VAG96229 ■ 42.50 x 7.04 x 13.08
					VAG96145 ■ 46.00 x 7.02 x 13.03
					VAG96230 ■ 46.00 x 7.02 x 13.06



BW321 Fibre Composite	DW320	GW321	HBS133 ☒ M10x1.25x254.00mm (x12)	JD225 ■ JD226 ■	JN933	HR800 ■	NA5053 30.00x42.00x7.00mm FPM NA5069 55.00x68.00x8.00mm FPM
------------------------------	--------------	--------------	--	----------------------------------	--------------	----------------	--



BW321

261

 **82.00**

Petrol



182 B3.000

5 Cyl.







10:1

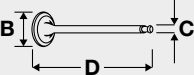



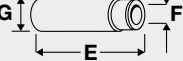

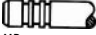


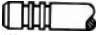





1998cc



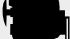




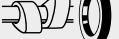




113kW (154)PS

TD11789

967

					
					FOL106 (x20) Height: 24mm

 B x C x D	OE	MAT.				 E x F x G
V91933  33.40 x 7.00 x 113.10	608 11 153	 MB cr	45°		H	
V91934  28.00 x 7.00 x 108.60	608 11 154	 MD cr	45°	ss		
						
						
						
						

							
BW321 Fibre Composite	DW322		HBS133  M10x1.25x254.00mm (x12)	JD225  JD226 	JM5018 (Elastomer)	HR800 	NA5053 30.00x42.00x7.00mm FPM NA5069 55.00x68.00x8.00mm FPM



BW321

262

82.00

Petrol



182 B7.000

5 Cyl.

10.7:1

1998cc

113kW (154)PS

TD15498

968

TB462 167x24 →08/00			FOL106 (x20) Height: 24mm FOL145 (x20) Height: 26mm

 B x C x D	OE	MAT.	 45°	 H	 E x F x G
V91933 ■ 33.40 x 7.00 x 113.10	608 11 153	 MB cr	45°	H	VAG96123 ■ 42.25 x 7.02 x 13.05
V91934 ■ 28.00 x 7.00 x 108.60	608 11 154	 MD cr	45° ss		VAG96146 ■ 42.50 x 7.04 x 13.05
					VAG96229 ■ 42.50 x 7.04 x 13.08
					VAG96145 ■ 46.00 x 7.02 x 13.03
					VAG96230 ■ 46.00 x 7.02 x 13.06

BW321 Fibre Composite	DW322	HBS133 ☒ M10x1.25x254.00mm (x12)	JD225 ■ JD226 ■	JM5018 (Elastomer)	HR800 ■	NA5053 30.00x42.00x7.00mm FPM NA5069 55.00x68.00x8.00mm FPM



BW321

263	82.00	Petrol	
182 B7.000	5 Cyl.	10.7:1	1998cc
			113kW (154)PS
			TD14389 966

	KIT		KIT		
TB462					
167x24					

B x C x D	OE	MAT.	45°			E x F x G
V91933	608 11 153	MB cr	45°		H	VAG96123
33.40 x 7.00 x 113.10						42.25 x 7.02 x 13.05
V91934	608 11 154	MD cr	45°	ss		VAG96146
28.00 x 7.00 x 108.60						42.50 x 7.04 x 13.05
						VAG96229
						42.50 x 7.04 x 13.08
						VAG96145
						46.00 x 7.02 x 13.03
						VAG96230
						46.00 x 7.02 x 13.06

BW321 Fibre Composite	DW322		HBS133	JD225	JM5018 (Elastomer)	HR800	NA5053
			M10x1.25x254.00mm (x12)	JD226			30.00x42.00x7.00mm FPM
							NA5069
							55.00x68.00x8.00mm FPM



BW321

264	82.00	Petrol	
185 A8.000	5 Cyl.	10.5:1	1998cc
			110kW (150)PS
			TD15630 970

B x C x D	OE	MAT.	45°			E x F x G
V91933	608 11 153	MB cr	45°		H	VAG96123
33.40 x 7.00 x 113.10						42.25 x 7.02 x 13.05
V91934	608 11 154	MD cr	45°	ss		VAG96146
28.00 x 7.00 x 108.60						42.50 x 7.04 x 13.05
						VAG96229
						42.50 x 7.04 x 13.08
						VAG96145
						46.00 x 7.02 x 13.03
						VAG96230
						46.00 x 7.02 x 13.06

AA5590 MLS, 0.490mm	CA5590		HBS133	JD225	JM5018 (Elastomer)	HR800	NA5053
			M10x1.25x254.00mm (x12)	JD226			30.00x42.00x7.00mm FPM
							NA5069
							55.00x68.00x8.00mm FPM



AA5590

265

 82.00

Petrol



185 A8.000 Euro 3 (D3)

5 Cyl.



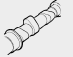



10.5:1

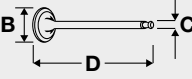


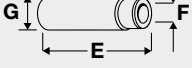
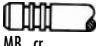
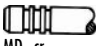
1998cc





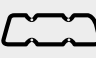


110kW (150)PS

TD15830

970

					
			KIT		FOL106 (x20) Height: 24mm FOL145 (x20) Height: 26mm

	OE	MAT.			
B x C x D					E x F x G
V91933 ■ 33.40 x 7.00 x 113.10	608 11 153	 MB cr	45°	H	VAG96123 ■ 42.25 x 7.02 x 13.05
V91934 ■ 28.00 x 7.00 x 108.60	608 11 154	 MD cr	45°	ss	VAG96146 ■ 42.50 x 7.04 x 13.05
					VAG96229 ■ 42.50 x 7.04 x 13.08
					VAG96145 ■ 46.00 x 7.02 x 13.03
					VAG96230 ■ 46.00 x 7.02 x 13.06

						
AA5590 MLS, 0.490mm	CA5590	HBS133 ☒ M10x1.25x254.00mm (x12)	JD225 ■ JD226 ■	JM5018 (Elastomer)	HR800 ■	NA5053 30.00x42.00x7.00mm FPM NA5069 55.00x68.00x8.00mm FPM



AA5590

266

82.00

Petrol



838 A1.000

5 Cyl.

10:1

1998cc

107kW (146)PS

TD4616

966

TB462 167x24					FOL106 (x20) Height: 24mm FOL145 (x20) Height: 26mm

	OE	MAT.			
B x C x D					E x F x G
V91931 ■ 30.00 x 7.00 x 113.00	608 12 982	 MB cr	45°	H	VAG96123 ■ 42.25 x 7.02 x 13.05
V91932 ■ 26.00 x 7.00 x 108.50	608 12 981	 MG cr	45°	H	VAG96146 ■ 42.50 x 7.04 x 13.05
					VAG96229 ■ 42.50 x 7.04 x 13.08
					VAG96145 ■ 46.00 x 7.02 x 13.03
					VAG96230 ■ 46.00 x 7.02 x 13.06

BW321 Fibre Composite	DW320	HBS133 ⊗ M10x1.25x254.00mm (x12)	JD225 ■ JD226 ■	JN933	HR800 ■	NA5053 30.00x42.00x7.00mm FPM NA5069 55.00x68.00x8.00mm FPM



BW321

267

 82.00

Petrol



838 A6.000

5 Cyl.



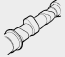



10.4:1

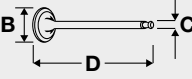
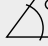


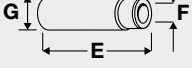
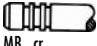
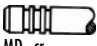
1998cc






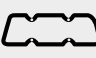

114kW (155)PS

TD5436

968



					
TB462 167x24					FOL106 (x20) Height: 24mm FOL145 (x20) Height: 26mm



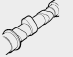



 B x C x D	OE	MAT.				 E x F x G
V91933 ■ 33.40 x 7.00 x 113.10	608 11 153	 MB cr	45°		H	VAG96123 ■ 42.25 x 7.02 x 13.05
V91934 ■ 28.00 x 7.00 x 108.60	608 11 154	 MD cr	45°	ss		VAG96146 ■ 42.50 x 7.04 x 13.05
						VAG96229 ■ 42.50 x 7.04 x 13.08
						VAG96145 ■ 46.00 x 7.02 x 13.03
						VAG96230 ■ 46.00 x 7.02 x 13.06

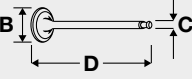

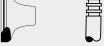
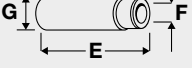
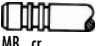
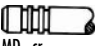
						
BW321 Fibre Composite	DW322	HBS133 ☒ M10x1.25x254.00mm (x12)	JD225 ■ JD226 ■	JM5018 (Elastomer)	HR800 ■	NA5053 30.00x42.00x7.00mm FPM NA5069 55.00x68.00x8.00mm FPM






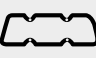




BW321

268	 82.00	Petrol					
841 E.000	5 Cyl.	8.5:1	1998cc	136kW (185)PS	Turbo Intercooled	TD16731	971

	 KIT		 KIT		
					FOL106 (x20) Height: 24mm FOL145 (x20) Height: 26mm

 B x C x D	OE	MAT.			 E x F x G
V91933 ■ 33.40 x 7.00 x 113.10	608 11 153	 MB cr	45°	H	VAG96123 ■ 42.25 x 7.02 x 13.05
V91934 ■ 28.00 x 7.00 x 108.60	608 11 154	 MD cr	45°	ss	VAG96146 ■ 42.50 x 7.04 x 13.05
					VAG96229 ■ 42.50 x 7.04 x 13.08
					VAG96145 ■ 46.00 x 7.02 x 13.03
					VAG96230 ■ 46.00 x 7.02 x 13.06

							
AD5960 MLS	CD5960		HBS133 ⊗ M10x1.25x254.00mm (x12)				NA5053 30.00x42.00x7.00mm FPM



AD5960

269

 **82.00**

Diesel



185 A2.000

5 Cyl.

20.7:1



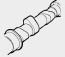



2387cc

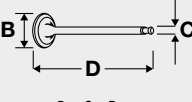

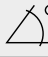

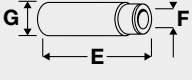
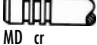
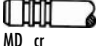
91kW (125)PS






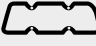


Turbo Intercooled

TD4406

972

					
TB608 193x24	TBK352 Component No: TB608; AE1087GP;AE1041TP				

					
B x C x D	OE	MAT.			E x F x G
V91937 ■ 37.50 x 8.00 x 114.20	7 798 620	 MD cr	45°		VAG96124 ■ ■ ■ 42.90 x 8.02 x 14.06
V91938 ■ 31.00 x 8.00 x 114.00	7 783 225	 MD cr	45°		VAG96203 ■ ■ ■ 43.00 x 8.03 x 14.08
					VAG96210 ■ ■ ■ 43.00 x 8.04 x 14.04

							
AA5720 MLS, 1.600mm BW340 Fibre Composite, 1.600mm AA5730 MLS, 1.700mm, 1 Notch BW350 Fibre Composite, 1.700mm, 1 Notch AA5740 MLS, 1.800mm, 2 Notches BW360 Fibre Composite, 1.800mm, 2 Notches	DW340 ▲	GW341 ▲	HBS257 ⊗ M12x1.25x218.00mm (x12)	JD227 ■ JD228 ■	JN934	HR363 ■	NA5053 30.00x42.00x7.00mm FPM

	
AA5720, AA5730, AA5740	BW340, BW350, BW360

270	82.00	Diesel							
185 A6.000	5 Cyl.	18.45:1	2387cc	96kW (130)PS	Turbo Intercooled	TD18145	973		

TB639 190x24	TBK104 Component No: TB639; AE1041TP;AE1087GP	CAM652 →12/02	KIT	FOL104 (x10) [6]

[6] Mechanical [6] Mécanique [6] Meccanico [6] Mecánico

	OE	MAT.			
B x C x D					E x F x G
V94064	608 14 605		45°	H	VAG96124
35.50 x 8.00 x 115.00		MB cr			42.90 x 8.02 x 14.06
V94470	46 750 859		45°	H	VAG96203
35.30 x 8.00 x 115.00		MG cr			43.00 x 8.03 x 14.08
V94065	608 14 604		45°		VAG96210
34.50 x 8.00 x 115.00		MD cr			43.00 x 8.04 x 14.04
V94471	46 783 962		45°	H	
34.50 x 8.00 x 115.00		MG cr			
V94590			45°	ss H	
34.45 x 8.00 x 115.00		MG cr			

AY550 MLS, 1.600mm	CY520 ▲	FY520 ▲	HBS257	JA5036	JP064	HR363	NA5053
AY560 MLS, 1.700mm, 1 Hole			M12x1.25x218.00mm (x12)	JD228			30.00x42.00x7.00mm FPM
AY570 MLS, 1.800mm, 2 Holes							



AY550, AY560, AY570



838 A3.000	5 Cyl.	21:1	2387cc	91kW (124)PS	Turbo Intercooled	TD4618	974
838 A7.000	5 Cyl.	21:1	2387cc	91kW (124)PS	Turbo Intercooled	TD5437	974

TB608 193x24	TBK352 Component No: TB608; AE1087GP;AE1041TP	CAM652	KIT	FOL104 (x10) [6]

[6] Mechanical [6] Mécanique [6] Meccanico [6] Mecánico

V91937 ■ 37.50 x 8.00 x 114.20	V91938 ■ 31.00 x 8.00 x 114.00	VAG96124 ■ ■ ■ 42.90 x 8.02 x 14.06	VAG96203 ■ ■ ■ 43.00 x 8.03 x 14.08	VAG96210 ■ ■ ■ 43.00 x 8.04 x 14.04

BW340 Fibre Composite, 1.600mm →Eng.0345336	BW350 Fibre Composite, 1.700mm, 1 Notch →Eng.0345336	BW360 Fibre Composite, 1.800mm, 2 Notches →Eng.0345336	AA5720 MLS, 1.600mm Eng.0345337 →	AA5730 MLS, 1.700mm, 1 Notch Eng.0345337 →	AA5740 MLS, 1.800mm, 2 Notches Eng.0345337 →	DW340 ▲	GW341 ▲	HBS257 ☒ M12x1.25x218.00mm (x12)	JD227 ■ JD228 ■	JN934	HR363 ■	NA5053 30.00x42.00x7.00mm FPM



AA5720, AA5730, AA5740



BW340, BW350, BW360

272

82.00

Diesel



838 A8.000

5 Cyl.

18.45:1

2387cc

100kW (136)PS

Turbocharged

TD11551

975

TB639 190x24 →05/01	TBK104 Component No: TB639; AE1041TP;AE1087GP	CAM652		FOL104 (x10) [6]

[6] Mechanical

[6] Mécanique

[6] Meccanico

[6] Mecánico

	OE	MAT.		
B x C x D				E x F x G
V94064 ■	608 14 605		45°	VAG96124 ■ ■ ■ 42.90 x 8.02 x 14.06
35.50 x 8.00 x 115.00				
V94470 ■	46 750 859		45°	VAG96203 ■ ■ ■ 43.00 x 8.03 x 14.08
35.30 x 8.00 x 115.00				
V94065 ■	608 14 604		45°	VAG96210 ■ ■ ■ 43.00 x 8.04 x 14.04
34.50 x 8.00 x 115.00				
V94471 ■	46 783 962		45°	
34.50 x 8.00 x 115.00				
V94590 ■			45° ss	
34.45 x 8.00 x 115.00				

AY550 MLS, 1.600mm AY560 MLS, 1.700mm, 1 Hole AY570 MLS, 1.800mm, 2 Holes	CY520 ▲	FY520 ▲	HBS257 ⊗ M12x1.25x218.00mm (x12)	JA5036 ■ JD228 ■	JP064	HR363 ■	NA5053 30.00x42.00x7.00mm FPM



AY550, AY560, AY570



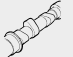



273

 **82.00**

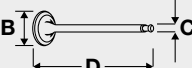
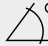
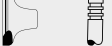
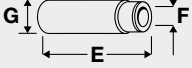

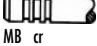




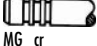




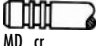




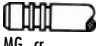

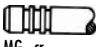
Diesel





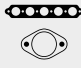
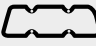

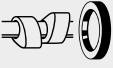


839 A5.000	5 Cyl.	18.5:1	2387cc	96-99kW (131-135)PS	Turbo Intercooled	TD14408	973
839 A5.000	5 Cyl.	18.5:1	2387cc	96-99kW (131-135)PS	Turbo Intercooled	TD17399	973
AR 32501	5 Cyl.	18.5:1	2387cc	99-100kW (135-136)PS	Turbo Intercooled	TD17400	975

					
TB639 190x24	TBK104 Component No: TB639; AE1041TP;AE1087GP	CAM652	KIT		FOL104 (x10) [6]



[6] Mechanical [6] Mécanique [6] Meccanico [6] Mecánico



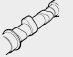



	OE	MAT.			
B x C x D	OE	MAT.			E x F x G
V94064 	608 14 605	 MB cr	45°	H	VAG96124  
35.50 x 8.00 x 115.00					42.90 x 8.02 x 14.06 
V94470 	46 750 859	 MG cr	45°	H	VAG96203  
35.30 x 8.00 x 115.00					43.00 x 8.03 x 14.08 
V94065 	608 14 604	 MD cr	45°		VAG96210  
34.50 x 8.00 x 115.00					43.00 x 8.04 x 14.04 
V94471 	46 783 962	 MG cr	45°	H	
34.50 x 8.00 x 115.00					
V94590 		 MG cr	45°	ss H	
34.45 x 8.00 x 115.00					

							
AY550 MLS, 1.600mm	CY520 ▲	FY520 ▲	HBS257 ☉	JA5036 ■	JP064	HR363 ■	NA5053
AY560 MLS, 1.700mm, 1 Hole			M12x1.25x218.00mm (x12)	JD228 ■			30.00x42.00x7.00mm FPM
AY570 MLS, 1.800mm, 2 Holes							

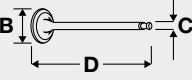
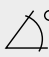

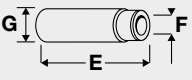
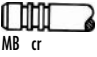
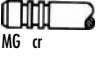
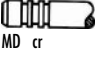
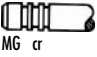
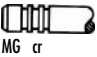





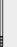

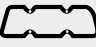

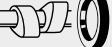
AY550, AY560, AY570

274	 82.00	Diesel					
839 A6.000 Euro 3 (D3)	5 Cyl.	18.45:1	2387cc	103kW (140)PS	Turbo Intercooled	TD18819	976

					
TB639 190x24	TBK104 Component No: TB639; AE1041TP;AE1087GP	CAM652			FOL104 (x10) [6]

[6] Mechanical [6] Mécanique [6] Meccanico [6] Mecánico

	OE	MAT.			
B x C x D					E x F x G
V94064 ■ 35.50 x 8.00 x 115.00 →12/00	608 14 605	 MB cr	45°	H	VAG96203 ■ ■ 43.00 x 8.03 x 14.08
V94470 ■ 35.30 x 8.00 x 115.00 01/01→	46 750 859	 MG cr	45°	H	VAG96210 ■ ■ 43.00 x 8.04 x 14.04
V94065 ■ 34.50 x 8.00 x 115.00	608 14 604	 MD cr	45°		
V94471 ■ 34.50 x 8.00 x 115.00	46 783 962	 MG cr	45°	H	
V94590 ■ 34.45 x 8.00 x 115.00		 MG cr	45°	ss H	

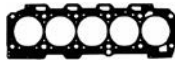
							
AA5780 MLS, 0.820mm	CA5780 ▲	HBS257 Ⓢ	JA5036 ■	JM5029	HR363 ■	NA5053	
AA5790 MLS, 0.920mm		M12x1.25x218.00mm (x12)	JD228 ■	(Elastomer)		30.00x42.00x7.00mm FPM	
AA5800 MLS, 1.020mm							



AA5780



AA5790



AA5800



839 A6.000 Euro 3 (D3)

5 Cyl.

18.45:1

2387cc

103kW (140)PS

Turbo Intercooled

TD15631

977

TB639 190x24	TBK104 Component No: TB639; AE1041TP;AE1087GP	CAM652		FOL104 (x10) [6]

[6] Mechanical

[6] Mécanique

[6] Meccanico

[6] Mecánico

	OE	MAT.		
B x C x D				E x F x G
V94064 ■	608 14 605		45° H	VAG96124 ■ ■ ■ 42.90 x 8.02 x 14.06
35.50 x 8.00 x 115.00				
V94470 ■	46 750 859		45° H	VAG96203 ■ ■ ■ 43.00 x 8.03 x 14.08
35.30 x 8.00 x 115.00				
V94065 ■	608 14 604		45°	VAG96210 ■ ■ ■ 43.00 x 8.04 x 14.04
34.50 x 8.00 x 115.00				
V94471 ■	46 783 962		45° H	
34.50 x 8.00 x 115.00				
V94590 ■			45° ss H	
34.45 x 8.00 x 115.00				

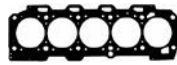
AA5780 MLS, 0.820mm	CA5780 ▲	HBS257 ☒ M12x1.25x218.00mm (x12)	JA5036 ■ JD228 ■	JM5029 (Elastomer)	HR363 ■	NA5053 30.00x42.00x7.00mm FPM



AA5780



AA5790



AA5800

276



82.00

Diesel



841 C.000

5 Cyl.

18.5:1

2387cc

110kW (150)PS

Turbo Intercooled

TD16472

977

TB639 190x24 →10/05	TBK104 →10/05 Component No: TB639; AE1041TP;AE1087GP		KIT		FOL104 (x10) [6]

[6] Mechanical

[6] Mécanique

[6] Meccanico

[6] Mecánico

 B x C x D	OE	MAT.				 E x F x G
V94064 ■	608 14 605		45°		H	VAG96124 ■ ■ ■ 42.90 x 8.02 x 14.06
35.50 x 8.00 x 115.00						
V94470 ■	46 750 859		45°		H	VAG96203 ■ ■ ■ 43.00 x 8.03 x 14.08
35.30 x 8.00 x 115.00						
V94065 ■	608 14 604		45°			VAG96210 ■ ■ ■ 43.00 x 8.04 x 14.04
34.50 x 8.00 x 115.00						
V94471 ■	46 783 962		45°		H	
34.50 x 8.00 x 115.00						
V94590 ■			45°	ss	H	
34.45 x 8.00 x 115.00						

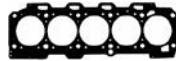
AA5780 MLS, 0.820mm	CA5780 ▲	HBS257 Ⓢ M12x1.25x218.00mm (x12)	JA5036 ■ JD228 ■	JM5029 (Elastomer)	HR363 ■	NA5053 30.00x42.00x7.00mm FPM



AA5780



AA5790



AA5800

FIAT GROUP

277



82.00

Diesel



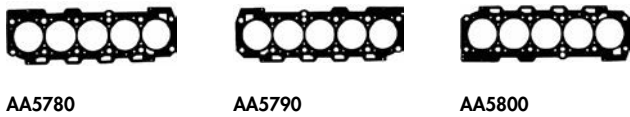
841 C000 5 Cyl. 18.5:1 2387cc **110kW (150)PS** **Turbo Intercooled** **TD16383** **976**

TB639 190x24	TBK104 Component No: TB639; AE1041TP;AE1087GP				FOL104 (x10) [6]

[6] Mechanical [6] Mécanique [6] Meccanico [6] Mecánico

B x C x D	E x F x G
V94064 ■ 35.50 x 8.00 x 115.00 →12/00	VAG96203 ■ ■ ■ 43.00 x 8.03 x 14.08
V94470 ■ 35.30 x 8.00 x 115.00 01/01→	VAG96210 ■ ■ ■ 43.00 x 8.04 x 14.04
V94065 ■ 34.50 x 8.00 x 115.00	
V94471 ■ 34.50 x 8.00 x 115.00	
V94590 ■ 34.45 x 8.00 x 115.00	

AA5780 MLS, 0.820mm AA5790 MLS, 0.920mm AA5800 MLS, 1.020mm	CA5780 ▲		HBS257 ☒ M12x1.25x218.00mm (x12)	JA5036 ■ JD228 ■	JM5029 (Elastomer)	HR363 ■	NA5053 30.00x42.00x7.00mm FPM NA5163 32.00x47.00x10.00mm FPM



278



82.00

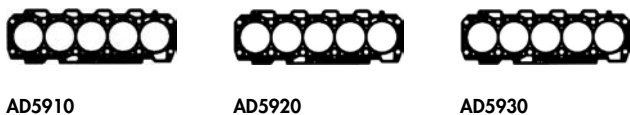
Diesel



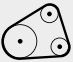












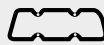

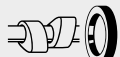




841 G.000 5 Cyl. 2387cc **129kW (175)PS** **Turbo Intercooled** **TD18292** **978**











TB725 198x24 TB579 97x15 Driven unit: balance shaft					FOL187 (x20)
















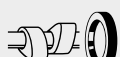




AD5910 MLS, 0.820mm AD5920 MLS, 0.920mm AD5930 MLS, 1.020mm	CD5910		HBS371 ☒ M12x1.25x225.00mm (x12)		JM7117 (Steel)		NA5163 32.00x47.00x10.00mm FPM











279	 82.00	Diesel				
841 G.000	5 Cyl.	2387cc	129kW (175)PS	Turbo Intercooled	TD18317	979
						
TB725 198x24					FOL187 (x20)	






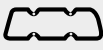

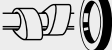



							
AD5190 Fibre Composite AD5920 MLS, 0.920mm AD5930 MLS, 1.020mm	CD5910		HBS371  M12x1.25x225.00mm (x12)		JM7117 (Steel)		NA5163 32.00x47.00x10.00mm FPM
							
AD5190	AD5920	AD5930					



280	 82.00	Diesel					
841 H.000	5 Cyl.	2387cc	129kW (175)PS	Turbo Intercooled	TD20953	981	
							
					JM7117 (Steel)		






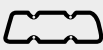

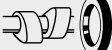



281	 82.00	Diesel					
841 H.000	5 Cyl.	2387cc	129kW (175)PS	Turbo Intercooled	TD18293	980	
							
TB725 198x24					FOL187 (x20)		
							
AD5910 MLS, 0.820mm AD5920 MLS, 0.920mm AD5930 MLS, 1.020mm	CD5910		HBS371  M12x1.25x225.00mm (x12)		JM7117 (Steel)		NA5163 32.00x47.00x10.00mm FPM
							
AD5910	AD5920	AD5930					



FIAT GROUP

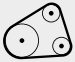










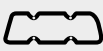

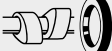



282	 82.00	Diesel					
841 M.000	5 Cyl.	18:1	2387cc	120-147kW (163-200)PS	Turbo Intercooled	TD20934	978
							
TB725 198x24 →06/08						FOL187 (x20)	














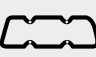






							
AD5910 MLS, 0.820mm AD5920 MLS, 0.920mm AD5930 MLS, 1.020mm	CD5910		HBS371 ☒ M12x1.25x225.00mm (x12)		JM7117 (Steel)		NA5163 32.00x47.00x10.00mm FPM
							
AD5910	AD5920	AD5930					









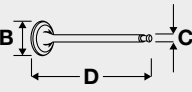
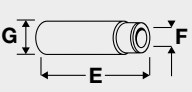

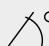



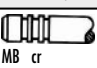

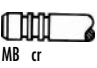

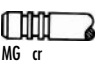

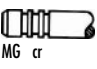
283	 82.00	Diesel					
841 M.000	5 Cyl.	18:1	2387cc	120-147kW (163-200)PS	Turbo Intercooled	TD19057	982
841 N.000	5 Cyl.		2387cc	120kW (163)PS	Turbo Intercooled	TD19058	983






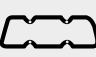






							
AD5190 Fibre Composite AD5920 MLS, 0.920mm AD5930 MLS, 1.020mm	CD5910		HBS371 ☒ M12x1.25x225.00mm (x12)		JM7117 (Steel)		NA5163 32.00x47.00x10.00mm FPM
							
AD5190	AD5920	AD5930					

284	 82.00	Diesel					
841 P.000	5 Cyl.		2387cc	136kW (185)PS	Turbo Intercooled	TD20954	985

							
TB790 199x24						FOL187 (x20)	
							
AG7410 MLS, 0.820mm, 0 Holes 06/04→ AG7420 MLS, 0.920mm, 1 Hole 06/04→ AG7430 MLS, 1.020mm, 2 Holes 06/04→					JM7117 (Steel)		
							
AG7410	AG7420	AG7430					

285	 82.00	Diesel					
936 B.000	5 Cyl.	2387cc	136kW (185)PS	Turbocharged	TD20761	986	
							
TB790 199x24 →06/08					FOL187 (x20)		
							
AG7410 MLS, 0.820mm, 0 Holes AG7420 MLS, 0.920mm, 1 Hole AG7430 MLS, 1.020mm, 2 Holes	CG7410		HBS371  M12x1.25x225.00mm (x12)		JM7117 (Steel)		
							
AG7410	AG7420	AG7430					

286	 82.00	Diesel				
939 A3.000	5 Cyl.	2387cc	147kW (200)PS	Turbo Intercooled	TD18450	987
						
TB790 199x24					FOL187 (x20)	
						
V94588  27.90 x 6.00 x 114.00 →06/06	OE 46 802 049	MAT.  MB cr	45°	Y	H	
V98005  28.00 x 5.00 x 114.40 07/06→	55206431	 MB cr	45°			
V94589  25.80 x 6.00 x 114.30 →06/06	46 787 902	 MG cr	45°		H	
V98006  24.50 x 5.00 x 114.40 07/06→	55205183	 MG cr	45°			

							
AG7410 MLS, 0.820mm, 0 Holes 06/04→	CG7410 06/04→		HBS371  M12x1.25x225.00mm (x12)		JM7117 (Steel)		
AG7420 MLS, 0.920mm, 1 Hole 06/04→							
AG7430 MLS, 1.020mm, 2 Holes 06/04→							
							
AG7410	AG7420	AG7430					

FIAT GROUP

287

 **82.00**

Diesel



939 A3.000 Euro 4 (D4)

5 Cyl.

17:1



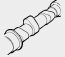



2387cc

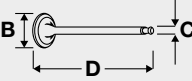
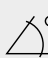


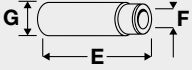
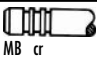
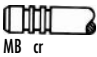
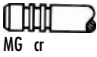
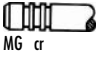
147-154kW (200-209)PS






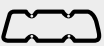


Turbo Intercooled

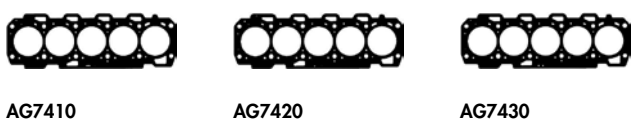
TD18474

988

					
TB790 199x24 →08/07					FOL187 (x20)

 B x C x D	OE	MAT.				 E x F x G
V94588 ■ 27.90 x 6.00 x 114.00 Eng.→5553217	46 802 049	 MB cr	45°	Y	H	
V98005 ■ 28.00 x 5.00 x 114.40 Eng.5553218→	55206431	 MB cr	45°			
V94589 ■ 25.80 x 6.00 x 114.30 Eng.→5553217	46 787 902	 MG cr	45°		H	
V98006 ■ 24.50 x 5.00 x 114.40 Eng.5553218→	55205183	 MG cr	45°			

							
AG7410 MLS, 0.820mm, 0 Holes 06/04→	CG7410 06/04→	HBS371 ☒ M12x1.25x225.00mm (x12)			JM7117 (Steel)		
AG7420 MLS, 0.920mm, 1 Hole 06/04→							
AG7430 MLS, 1.020mm, 2 Holes 06/04→							



AG7410 AG7420 AG7430

288

 **82.00**

Diesel



939 A9.000

5 Cyl.

17:1







2387cc






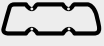


154kW (210)PS

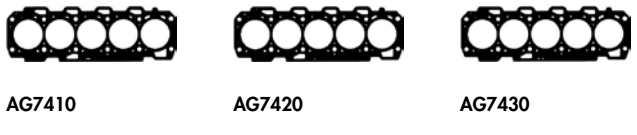
Turbo Intercooled

TD20935

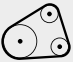





989

					
TB790 199x24					FOL187 (x20)

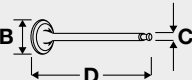
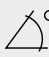

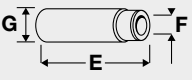
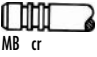
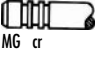
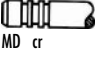
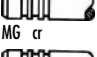
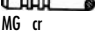
							
AG7410 MLS, 0.820mm, 0 Holes 06/04→	CG7410	HBS371 ☒ M12x1.25x225.00mm (x12)			JM7117 (Steel)		
AG7420 MLS, 0.920mm, 1 Hole 06/04→							
AG7430 MLS, 1.020mm, 2 Holes 06/04→							






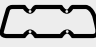




AG7410 AG7420 AG7430

					
TB639 190x24	TBK104 Component No: TB639; AE1041TP;AE1087GP	CAM652			FOL104 (x10) [6]

[6] Mechanical [6] Mécanique [6] Meccanico [6] Mecánico

	OE	MAT.			
B x C x D					E x F x G
V94064 ■ 35.50 x 8.00 x 115.00 →12/00	608 14 605	 MB cr	45°	H	VAG96203 ■ ■ ■ 43.00 x 8.03 x 14.08
V94470 ■ 35.30 x 8.00 x 115.00 01/01→	46 750 859	 MG cr	45°	H	
V94065 ■ 34.50 x 8.00 x 115.00	608 14 604	 MD cr	45°		
V94471 ■ 34.50 x 8.00 x 115.00	46 783 962	 MG cr	45°	H	
V94590 ■ 34.45 x 8.00 x 115.00		 MG cr	45°	ss H	

							
AY550 MLS, 1.600mm AY560 MLS, 1.700mm, 1 Hole	CY520 ▲	FY520 ▲	HBS257 Ⓢ M12x1.25x218.00mm (x12)	JA5036 ■ JD228 ■			NA5053 30.00x42.00x7.00mm FPM NA5163 32.00x47.00x10.00mm FPM



AY550, AY560

290

82.00

Diesel



AR 34202 5 Cyl. 18.45:1 2387cc 100kW (136)PS Turbo Intercooled TD11604 973

TB639 190x24	TBK104 Component No: TB639; AE1041TP;AE1087GP		KIT		FOL104 (x10) [6]

[6] Mechanical [6] Mécanique [6] Meccanico [6] Mecánico

	OE	MAT.			
B x C x D					E x F x G
V94064 ■ 35.50 x 8.00 x 115.00 →12/00	608 14 605	 MB cr	45°	H	VAG96203 ■ ■ ■ 43.00 x 8.03 x 14.08
V94470 ■ 35.30 x 8.00 x 115.00 01/01→	46 750 859	 MG cr	45°	H	VAG96210 ■ ■ ■ 43.00 x 8.04 x 14.04
V94065 ■ 34.50 x 8.00 x 115.00	608 14 604	 MD cr	45°		
V94471 ■ 34.50 x 8.00 x 115.00	46 783 962	 MG cr	45°	H	
V94590 ■ 34.45 x 8.00 x 115.00		 MG cr	45°	ss H	

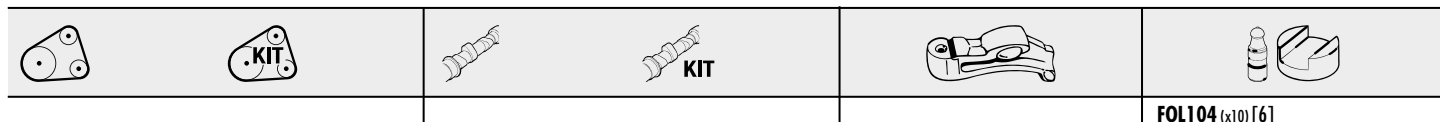
AY550 MLS, 1.600mm AY560 MLS, 1.700mm, 1 Hole AY570 MLS, 1.800mm, 2 Holes	CY520 ▲	FY520 ▲	HBS257 ☒ M12x1.25x218.00mm (x12)	JA5036 ■ (Metal) →01/00 JD5810 ■ 02/00→ JD228 ■	JP064	HR363 ■	NA5053 30.00x42.00x7.00mm FPM



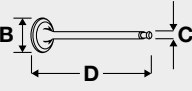
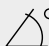

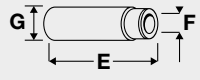

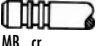


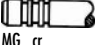

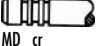

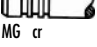
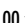
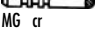
AY550, AY560, AY570

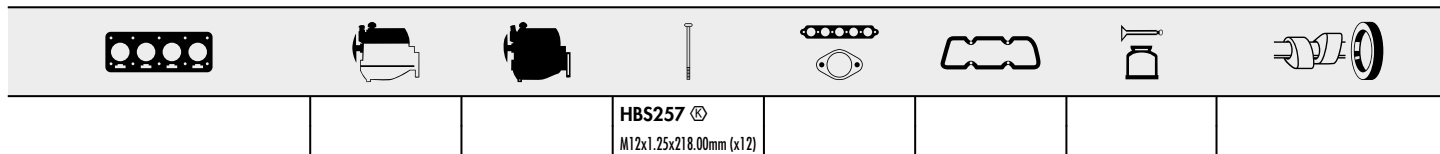
291  **82.00 Diesel** 

AR 36202 5 Cyl. 2387cc 103kW (140)PS TD15636 990



[6] Mechanical [6] Mécanique [6] Meccanico [6] Mecánico **FOL104** (x10) [6]

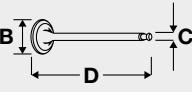
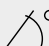

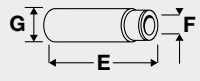




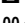
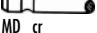
	OE	MAT.			
B x C x D					E x F x G
V94064 	608 14 605	 MB cr	45°	H	VAG96203  43.00 x 8.03 x 14.08
35.50 x 8.00 x 115.00 →12/00					
V94470 	46 750 859	 MG cr	45°	H	
35.30 x 8.00 x 115.00 01/01→					
V94065 	608 14 604	 MD cr	45°		
34.50 x 8.00 x 115.00					
V94471 	46 783 962	 MG cr	45°	H	
34.50 x 8.00 x 115.00					
V94590 		 MG cr	45° ss	H	
34.45 x 8.00 x 115.00					

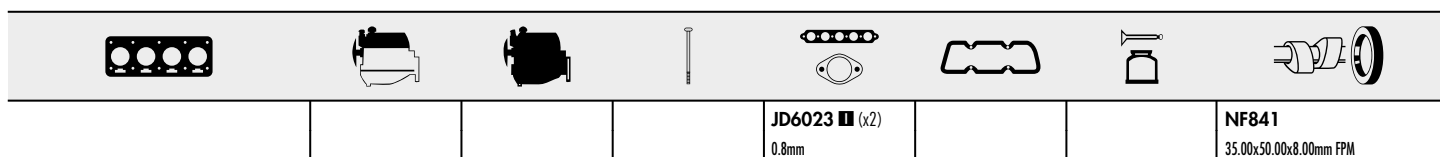


HBS257 
M12x1.25x218.00mm (x12)

292  **82.20 Diesel** 

WJY (DW8) 4 Cyl. 23:1 1868cc 51kW (69)PS TD21266 991

	OE	MAT.			
B x C x D					E x F x G
V91144 	96 005 391	 MB	45°	H	
38.50 x 8.00 x 112.50					
V94154 	0948.94	 MB	45°	H	
38.50 x 8.00 x 112.40					
V91145 	96 137 360	 MD cr	45°		
33.00 x 8.00 x 112.00					

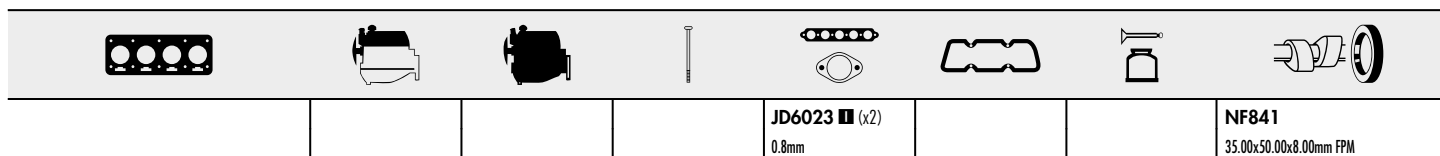


JD6023  (x2)
0.8mm

NF841
35.00x50.00x8.00mm FPM

293  **82.20 Diesel** 

WJY (DW8B) 4 Cyl. 23:1 1868cc 51kW (69)PS TD22240 991



JD6023  (x2)
0.8mm

NF841
35.00x50.00x8.00mm FPM

FIAT GROUP

294

82.20

Diesel

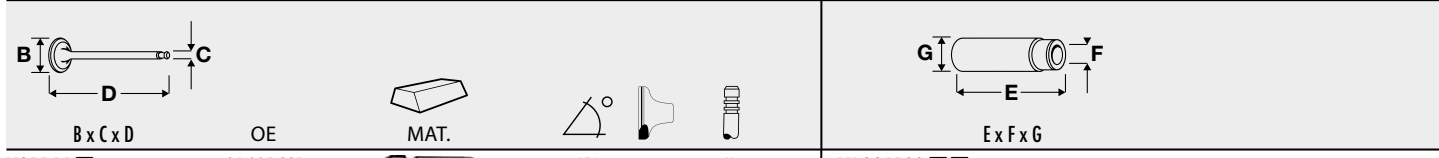


WJZ (DW8) 4 Cyl. 23:1 1868cc 51-52kW (69-71)PS TD16300 992

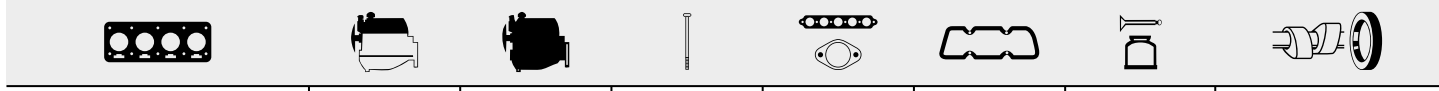


TB631 140x25.4 08/98→10/06	TBK105 08/98→10/06 Component No: TB631; AE1165TP;AE1166GP			FOL73 (x8) [6] FOL150 (x8) [6]
---	---	--	--	---

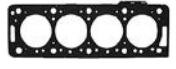
[6] Mechanical [6] Mécanique [6] Meccanico [6] Mecánico



V91144 ■ 38.50 x 8.00 x 112.50	96 005 391		45°	H	VAG96100 ■ ■ ■ 48.00 x 8.02 x 14.37
V94154 ■ 38.50 x 8.00 x 112.40	0948.94		45°	H	
V91145 ■ 33.00 x 8.00 x 112.00	96 137 360		45°		



AA5830 Steel Elastomer, 1.260mm, 1 Hole ⊖(0.51)→(0.54) mm	CA5830 ▲		HBS084 ⊕ M12x1.50x120.00mm (x10) →Eng.08469	JD6023 ■ (x2) 0.8mm HA5008 ■ ■ ■ JD5192 ■ (x2)	JM5088 ■ (Elastomer) JM5089 ■ (Elastomer)	HR569 ■	NF841 35.00x50.00x8.00mm FPM
AA5840 Steel Elastomer, 1.300mm, 2 Holes ⊖(0.55)→(0.58) mm			HBS245 ⊕ M12x1.50x125.00mm (x10) Eng.08470→				
AA5850 Steel Elastomer, 1.340mm, 3 Holes ⊖(0.59)→(0.62) mm							
AA5860 Steel Elastomer, 1.380mm, 4 Holes ⊖(0.63)→(0.66) mm							
AA5870 Steel Elastomer, 1.420mm, 5 Holes ⊖(0.670)→(0.7) mm							
AA5880 Steel Elastomer, 1.460mm, 6 Holes ⊖(0.71)→(0.75) mm							



AA5830, AA5840, AA5850, AA5860, AA5870, AA5880

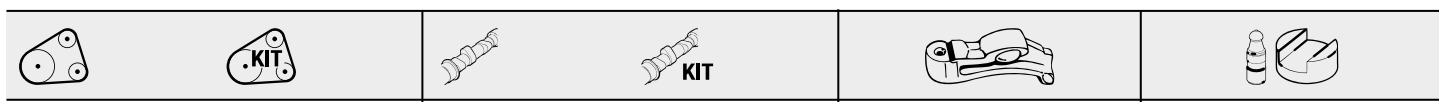
295

82.60

Diesel

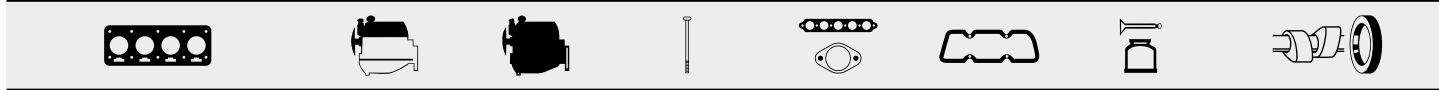


149 B2.000 4 Cyl. 20:1 1697cc 42kW (57)PS TD16864 995



TB337 168x22	TBK040 Component No: TB337; AE1004TP;AE1005GP			FOL104 (x8) [6]
------------------------	--	--	--	------------------------

[6] Mechanical [6] Mécanique [6] Meccanico [6] Mecánico



DV680 ▲		HBS095 ⊗ M12x1.25x133.00mm (x10)				
----------------	--	--	--	--	--	--

296	82.60	Diesel			
149 B4.000	4 Cyl.	20:1	1697cc	42-45kW (57-61)PS	TD968 994
TB306 170x22 06/88 →					FOL104 (x8) [6]
[6] Mechanical	[6] Mécanique	[6] Meccanico	[6] Mecánico		

B x C x D	E x F x G
OE	
MAT.	
V91295 ■	VAG92366 ■ ■ ■
37.50 x 8.00 x 117.00	46.50 x 8.00 x 14.10
V91767 ■	
37.50 x 8.00 x 117.00	
V91392 ■	
33.50 x 8.00 x 116.70	

AC5140 MLS, 1.660mm AC5150 MLS, 1.760mm BT230 Fibre Composite, 1.800mm, 1 Notch AC5180 MLS, 1.860mm BT240 Fibre Composite, 1.950mm, 2 Notches AC5160 MLS, 1.960mm	DV680 ▲	GV680 ▲	HBS095 ⊗ M12x1.25x133.00mm (x10)	JC738	JN459	HR596 ■	NA5187 30.00x52.00x7.00mm ACM

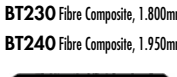


AC5140, AC5150, AC5180, AC5160



BT230, BT240

297	82.60	Diesel				
149 B4.046	4 Cyl.	20:1	1697cc	42-44kW (57-60)PS	TD969 993	
BT230 Fibre Composite, 1.800mm, 1 Notch BT240 Fibre Composite, 1.950mm, 2 Notches	GV680 ▲	HBS095 ⊗ M12x1.25x133.00mm (x10)	JC738	JN459	HR596 ■	NA5187 30.00x52.00x7.00mm ACM



BT230, BT240

FIAT GROUP







298






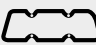

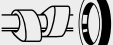
 **82.60**

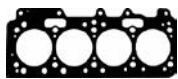
Diesel



138 C.000 4 Cyl. 20:1 1698cc **44kW (60)PS** **TD925** **993**

					
TB349 141x25.4			KIT		

							
AC5140 MLS, 1.660mm AC5150 MLS, 1.760mm BT230 Fibre Composite, 1.800mm, 1 Notch AC5180 MLS, 1.860mm BT240 Fibre Composite, 1.950mm, 2 Notches AC5160 MLS, 1.960mm	DV680 ▲	GV680 ▲	HBS011 ① M12x1.25x119.00mm (x12) HBS095 ② M12x1.25x133.00mm (x10)	JC738	JN459	HR596 ③	



AC5140, AC5150, AC5180, AC5160

BT230, BT240



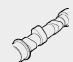



299

 **82.60**

Diesel



146 B2.000 4 Cyl. 20.5:1 1698cc **42-44kW (57-60)PS** **TD949** **994**

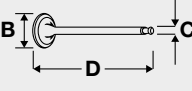

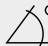


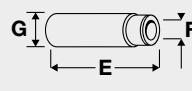
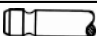

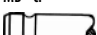
					
TB337 168x22	TBK040 Component No: TB337; AE1004TP;AE1005GP		KIT		FOL104 (x8) [6]






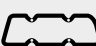

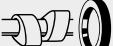
[6] Mechanical

[6] Mécanique

[6] Meccanico

[6] Mecánico

					
B x C x D	OE	MAT.			E x F x G
V91295 ■	5 990 532		45°	H	VAG92366 ■ ■ ■
37.50 x 8.00 x 117.00		MB cr			46.50 x 8.00 x 14.10
V91767 ■	5 990 532		45°	H	
37.50 x 8.00 x 117.00		MB cr			
V91392 ■	5 990 533		45°		
33.50 x 8.00 x 116.70		MD cr			

							
AG6060 MLS, 1.200mm AG7300 MLS, 1.300mm BT230 Fibre Composite, 1.800mm, 1 Notch BT240 Fibre Composite, 1.950mm, 2 Notches	DV680 ▲	GV680 ▲	HBS095 ② M12x1.25x133.00mm (x10)	JC738	JN459	HR596 ③	NA5187 30.00x52.00x7.00mm ACM



AG6060

AG7300

BT230, BT240

300	82.60	Diesel					
146 D7.000	4 Cyl.	20:1	1698cc	46kW (63)PS	Turbocharged	TD9472	996

TB337 168x22	TBK040 Component No: TB337; AE1004TP;AE1005GP		KIT		FOL104 (x8) [6]

[6] Mechanical [6] Mécanique [6] Meccanico [6] Mecánico

B x C x D	E x F x G
V91295 ■ 37.50 x 8.00 x 117.00	VAG92366 ■ ■ ■ 46.50 x 8.00 x 14.10
V91767 ■ 37.50 x 8.00 x 117.00	
V91392 ■ 33.50 x 8.00 x 116.70	
OE: 5 990 532	
MAT. MB cr	
45°	
H	
5 990 532	
MB cr	
45°	
H	
5 990 533	
MD cr	
45°	

BR680 Graphite Composite, 1.650mm	DV680 ▲	GV680 ▲	HBS095 ⊗ M12x1.25x133.00mm (x10)	JC738	JN459	HR596 ■	NA5187 30.00x52.00x7.00mm ACM
BV680 Fibre Composite, 1.670mm, 0 Notches							
BV690 Fibre Composite, 1.750mm, 1 Notch							
BV700 Fibre Composite, 1.850mm, 2 Notches							
BW980 Fibre Composite, 1.930mm, 3 Notches							



BR680



BV680, BV690, BV700, BW980



149 B3.000

4 Cyl.

20.5:1

1698cc

44kW (60)PS

TD967

994

TB337 168x22	TBK040 Component No: TB337; AE1004TP;AE1005GP	CAM641	KIT	FOL104 (x8) [6]

[6] Mechanical

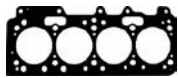
[6] Mécanique

[6] Meccanico

[6] Mecánico

<p>B x C x D</p> <p>OE</p> <p>MAT.</p>	<p>E x F x G</p>
<p>V91295 ■</p> <p>37.50 x 8.00 x 117.00</p> <p>5 990 532</p> <p>MB cr</p>	<p>VAG92366 ■ ■ ■</p> <p>46.50 x 8.00 x 14.10</p>
<p>V91767 ■</p> <p>37.50 x 8.00 x 117.00</p> <p>5 990 532</p> <p>MB cr</p>	
<p>V91392 ■</p> <p>33.50 x 8.00 x 116.70</p> <p>5 990 533</p> <p>MD cr</p>	

<p>AC5140 MLS, 1.660mm</p> <p>AC5150 MLS, 1.760mm</p> <p>BT230 Fibre Composite, 1.800mm, 1 Notch</p> <p>AC5180 MLS, 1.860mm</p> <p>BT240 Fibre Composite, 1.950mm, 2 Notches</p> <p>AC5160 MLS, 1.960mm</p>	DV680 ▲	GV680 ▲	HBS095 ☒ M12x1.25x133.00mm (x10)	JC738	JN459	HR596 ■	NA5187 30.00x52.00x7.00mm ACM



AC5140, AC5150, AC5180, AC5160



BT230, BT240

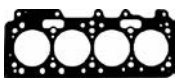
302	82.60	Diesel					
176 A3.000	4 Cyl.	20.3:1	1698cc	51-53kW (69-72)PS	Turbocharged	TD1033	997
176 B7.000	4 Cyl.	19.1:1	1698cc	46-47kW (63-64)PS	Turbocharged	TD5493	998

TB337 168x22	TBK040 Component No: TB337; AE1004TP;AE1005GP		KIT		FOL104 (x8) [6]

[6] Mechanical [6] Mécanique [6] Meccanico [6] Mecánico

B x C x D	OE	MAT.	45°	H
V91295 ■■ 37.50 x 8.00 x 117.00	5 990 532	 MB cr	45°	H
V91767 ■■ 37.50 x 8.00 x 117.00	5 990 532	 MB cr	45°	H
V91392 ■■ 33.50 x 8.00 x 116.70	5 990 533	 MD cr	45°	
				VAG92366 ■■ ■■ 46.50 x 8.00 x 14.10

BR680 Graphite Composite, 1.650mm	DV680 ▲	GV680 ▲	HBS095 Ⓢ M12x1.25x133.00mm (x10)	JC738	JN459	HR596 ■■	NA5187 30.00x52.00x7.00mm ACM
AC5140 MLS, 1.660mm							
BV680 Fibre Composite, 1.670mm, 0 Notches							
BV690 Fibre Composite, 1.750mm, 1 Notch							
AC5150 MLS, 1.760mm							
BV700 Fibre Composite, 1.850mm, 2 Notches							
AC5180 MLS, 1.860mm							
BW980 Fibre Composite, 1.930mm, 3 Notches							
AC5160 MLS, 1.960mm							



AC5140, AC5150, AC5180, AC5160



BR680



BV680, BV690, BV700, BW980



176 A5.000

4 Cyl.

19.1:1

1698cc

52-59kW (71-80)PS

Turbocharged

TD1035

998

TB337 168x22	TBK040 Component No: TB337; AE1004TP;AE1005GP	CAM417	KIT	FOL104 (x8) [6]

[6] Mechanical

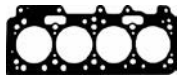
[6] Mécanique

[6] Meccanico

[6] Mecánico

B x C x D	E x F x G
V91295 ■ 37.50 x 8.00 x 117.00	VAG92366 ■ ■ ■ 46.50 x 8.00 x 14.10
V91767 ■ 37.50 x 8.00 x 117.00	
V91392 ■ 33.50 x 8.00 x 116.70	

BR680 Graphite Composite, 1.650mm AC5140 MLS, 1.660mm BV680 Fibre Composite, 1.670mm, 0 Notches BV690 Fibre Composite, 1.750mm, 1 Notch AC5150 MLS, 1.760mm BV700 Fibre Composite, 1.850mm, 2 Notches AC5180 MLS, 1.860mm BW980 Fibre Composite, 1.930mm, 3 Notches AC5160 MLS, 1.960mm	DV680 ▲	GV680 ▲	HBS095 ☒ M12x1.25x133.00mm (x10)	JC738	JN459	HR596 ■	NA5187 30.00x52.00x7.00mm ACM



AC5140, AC5150, AC5180, AC5160



BR680



BV680, BV690, BV700, BW980

304	82.60	Diesel				
176 B3.000	4 Cyl.	20.5:1	1698cc	42kW (57)PS	TD9477	994

TB337 168x22	TBK040 Component No: TB337; AE1004TP;AE1005GP	CAM417			FOL104 (x8) [6]

[6] Mechanical [6] Mécanique [6] Meccanico [6] Mecánico

B x C x D	E x F x G
OE	
MAT.	
V91295 ■	VAG92366 ■ ■ ■
37.50 x 8.00 x 117.00	46.50 x 8.00 x 14.10
V91767 ■	
37.50 x 8.00 x 117.00	
V91392 ■	
33.50 x 8.00 x 116.70	

BT230 Fibre Composite, 1.800mm, 1 Notch BT240 Fibre Composite, 1.950mm, 2 Notches	DV680 ▲	GV680 ▲	HBS095 ⊗ M12x1.25x133.00mm (x10)	JC738	JN459	HR596 ■	NA5187 30.00x52.00x7.00mm ACM



BT230, BT240

305	82.60	Diesel				
831 D.000	4 Cyl.	21:1	1911cc	48kW (65)PS	TD1813	1000

TB351 126x25.4 TB352 57x19 Driven unit: injection pump					FOL104 (x8) [6]

[6] Mechanical [6] Mécanique [6] Meccanico [6] Mecánico

B x C x D	E x F x G
OE	
MAT.	
V91767 ■	VAG92366 ■ ■ ■
37.50 x 8.00 x 117.00	46.50 x 8.00 x 14.10
V91392 ■	
33.50 x 8.00 x 116.70	

BR700 Graphite Composite, 1.950mm, 2 Notches	DT290 ▲	GV680 ▲	HBS095 ⊗ M12x1.25x133.00mm (x10)	JC738	JN459	HR363 ■	



BR700

306

82.60

Diesel



149 A1.000

4 Cyl.

21:1

1929cc

48kW (65)PS

TD4378

1001

<p>TB186 139x25.4 →7056787 for vehicles without air conditioning</p> <p>TB350 143x25.4 7056788→ for vehicles without air conditioning</p> <p>TB352 57x19 Driven unit: injection pump for vehicles with air conditioning</p> <p>TB351 126x25.4 for vehicles with air conditioning</p>				FOL104 (x8) [6]

[6] Mechanical

[6] Mécanique

[6] Meccanico

[6] Mecánico

<p>V91295 ■ 37.50 x 8.00 x 117.00</p> <p>V91767 ■ 37.50 x 8.00 x 117.00</p> <p>V91392 ■ 33.50 x 8.00 x 116.70</p>	<p>OE 5 990 532</p> <p>MAT. MB cr</p> <p>45°</p> <p>H</p>	<p>OE 5 990 532</p> <p>MAT. MB cr</p> <p>45°</p> <p>H</p>	<p>VAG92366 ■ ■ ■ 46.50 x 8.00 x 14.10</p>

<p>AC5140 MLS, 1.660mm</p> <p>BV680 Fibre Composite, 1.670mm, 0 Notches</p> <p>BV690 Fibre Composite, 1.750mm, 1 Notch</p> <p>AC5150 MLS, 1.760mm</p> <p>BV700 Fibre Composite, 1.850mm, 2 Notches</p> <p>AC5180 MLS, 1.860mm</p> <p>BW980 Fibre Composite, 1.930mm, 3 Notches</p> <p>AC5160 MLS, 1.960mm</p>	DV680 ▲	GV680 ▲	HBS095 ⊗ M12x1.25x133.00mm (x10)	JC738	JN459	HR596 ■	NA5187 30.00x52.00x7.00mm ACM



AC5140, AC5150, AC5180, AC5160



BV680, BV690, BV700, BW980

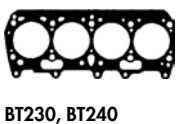
307	82.60	Diesel				
149 B1.000	4 Cyl.	21:1	1929cc	51-52kW (70-71)PS	TD963	1001
TB286 170x25.4						FOL104 (x8) [6]
[6] Mechanical	[6] Mécanique	[6] Meccanico	[6] Mecánico			

B x C x D	OE	MAT.				E x F x G
V91295 ■	5 990 532		45°		H	VAG92366 ■ ■ ■
37.50 x 8.00 x 117.00		MB cr				46.50 x 8.00 x 14.10
V91767 ■	5 990 532		45°		H	
37.50 x 8.00 x 117.00		MB cr				
V91392 ■	5 990 533		45°			
33.50 x 8.00 x 116.70		MD cr				

BR680 Graphite Composite, 1.650mm	DV680 ▲	GV680 ▲	HBS095 ⊗ M12x1.25x133.00mm (x10)	JC738	JN459	HR596 ■	NA5187 30.00x52.00x7.00mm ACM
BV680 Fibre Composite, 1.670mm, 0 Notches							
BV690 Fibre Composite, 1.750mm, 1 Notch							
BV700 Fibre Composite, 1.850mm, 2 Notches							
BW980 Fibre Composite, 1.930mm, 3 Notches							











308	82.60	Diesel					
149 B5.046	4 Cyl.	20:1	1929cc	44kW (60)PS	TD9602	1002	
TB306 170x22 →07/93							
BT230 Fibre Composite, 1.800mm, 1 Notch	DT290 ▲		HBS095 ⊗ M12x1.25x133.00mm (x10)			HR596 ■	NA5187 30.00x52.00x7.00mm ACM
BT240 Fibre Composite, 1.950mm, 2 Notches							

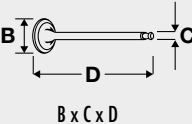

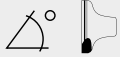

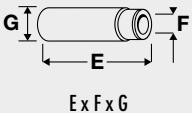









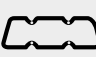


309	82.60	Diesel					
154 B.000	4 Cyl.	20:1	1929cc	68kW (92)PS	Turbo Intercooled	TD21460	1003
	DT300 ▲	GT300 ▲		JD013		HR363 ■	NA5053 30.00x42.00x7.00mm FPM

FIAT GROUP

310	 82.60	Diesel					
154 C6.000	4 Cyl.	18:1	1929cc	66-68kW (90-92)PS	Turbo Intercooled	TD9621	1004
154 D1.000	4 Cyl.	20:1	1929cc	69kW (94)PS	Turbo Intercooled	TD9622	1005

					
TB286 170x25.4			KIT		

				
B x C x D	OE	MAT.	45°	H
V91658 ■ 36.50 x 8.00 x 114.00	7 597 566	 MB cr	45°	
V91659 ■ 33.50 x 8.00 x 114.00	7 597 565	 MD cr	45°	
				VAG92366 ■ ■ 46.50 x 8.00 x 14.10

							
BT300 Fibre Composite, 1.650mm	DT300 ▲	GT300 ▲	HBS097 ☉ M12x1.25x120.00mm (x10)	JD013	JN809	HR569 ■	NA5053 30.00x42.00x7.00mm FPM
BT320 Fibre Composite, 1.950mm, 2 Notches							



BT300, BT320

311	82.60	Diesel					
160 A6.000	4 Cyl.	19.2:1	1929cc	66-68kW (90-92)PS	Turbo Intercooled	TD4394	1006

TB307 173x22	TBK065 Component No: TB307; AE1061TP;AE1049GP		KIT		

B x C x D	E x F x G
OE	MAT.
V91291 ■ 37.50 x 8.00 x 116.50	7 547 158 MD cr 45°
V91321 ■ 33.50 x 8.00 x 116.45	7 588 577 MD cr 45°
V91392 ■ 33.50 x 8.00 x 116.70	5 990 533 MD cr 45°
	VAG92366 ■ ■ 46.50 x 8.00 x 14.10

BR680 Graphite Composite, 1.650mm	DV680 ▲	GV680 ▲	HBS095 ⊗ M12x1.25x133.00mm (x10)	JC738	JN459		NA5187 30.00x52.00x7.00mm ACM
AC5140 MLS, 1.660mm							
BV680 Fibre Composite, 1.670mm, 0 Notches							
BV690 Fibre Composite, 1.750mm, 1 Notch							
AC5150 MLS, 1.760mm							
BV700 Fibre Composite, 1.850mm, 2 Notches							
AC5180 MLS, 1.860mm							
BW980 Fibre Composite, 1.930mm, 3 Notches							
AC5160 MLS, 1.960mm							



AC5140, AC5150, AC5180, AC5160



BR680



BV680, BV690, BV700, BW980

312

82.60

Diesel



160 A6.046

4 Cyl.

19.2:1

1929cc

66kW (90)PS

Turbo Intercooled

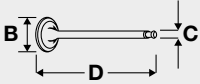
TD1022

1006



TB307
173x22

TBK065
Component No: TB307;
AE1061TP;AE1049GP

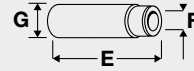


B x C x D

OE



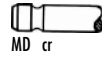
MAT.



E x F x G

V91291 ■
37.50 x 8.00 x 116.50

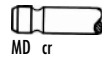
7 547 158



45°

V91321 ■
33.50 x 8.00 x 116.45

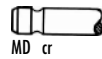
7 588 577



45°

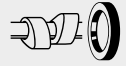
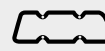
V91392 ■
33.50 x 8.00 x 116.70

5 990 533



45°

VAG92366 ■ ■ ■
46.50 x 8.00 x 14.10



BR680 Graphite Composite, 1.650mm
BV680 Fibre Composite, 1.670mm, 0 Notches
BV690 Fibre Composite, 1.750mm, 1 Notch
AC5150 MLS, 1.760mm
BV700 Fibre Composite, 1.850mm, 2 Notches
AC5180 MLS, 1.860mm
BW980 Fibre Composite, 1.930mm, 3 Notches
AC5160 MLS, 1.960mm

DV680 ▲

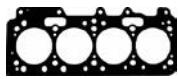
GV680 ▲

HBS095 ☒
M12x1.25x133.00mm (x10)

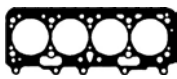
JC738

JN459

NA5187
30.00x52.00x7.00mm ACM





AC5150, AC5180, AC5160









BR680

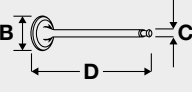
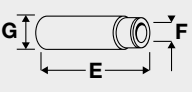







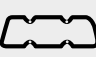


BV680, BV690, BV700, BW980

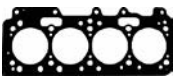
313	 82.60	Diesel			
160 A7.000	4 Cyl.	21:1	1929cc	48kW (65)PS	TD1023 1001

					
TB307 173x22 →05/97	TBK065 →05/97 Component No: TB307; AE1061TP;AE1049GP		KIT		FOL104 (x8) [6]

[6] Mechanical [6] Mécanique [6] Meccanico [6] Mecánico

	
B x C x D	E x F x G
OE	MAT.
V91295 ■	45°
37.50 x 8.00 x 117.00	H
V91767 ■	45°
37.50 x 8.00 x 117.00	H
V91392 ■	45°
33.50 x 8.00 x 116.70	
	VAG92366 ■ ■
	46.50 x 8.00 x 14.10

							
AC5140 MLS, 1.660mm AC5150 MLS, 1.760mm BT230 Fibre Composite, 1.800mm, 1 Notch AC5180 MLS, 1.860mm BT240 Fibre Composite, 1.950mm, 2 Notches AC5160 MLS, 1.960mm	DV680 ▲	GV680 ▲	HBS095 ⊗ M12x1.25x133.00mm (x10)	JC738	JN459	HR596 ■	NA5187 30.00x52.00x7.00mm ACM



AC5140, AC5150, AC5180, AC5160



BT230, BT240

314

82.60

Diesel



160 B6.046

4 Cyl.

1929cc

59kW (82)PS

Turbo Intercooled

TD1025

1006

TB307 173x22	TBK065 Component No: TB307; AE1061TP;AE1049GP		KIT		FOL104 (x8) [6]

[6] Mechanical

[6] Mécanique

[6] Meccanico

[6] Mecánico

B x C x D	E x F x G
OE	
MAT.	
V91291 ■	VAG92366 ■ ■ ■
37.50 x 8.00 x 116.50	46.50 x 8.00 x 14.10
V91321 ■	
33.50 x 8.00 x 116.45	
V91392 ■	
33.50 x 8.00 x 116.70	

BV680 Fibre Composite, 1.670mm, 0 Notches BV690 Fibre Composite, 1.750mm, 1 Notch BV700 Fibre Composite, 1.850mm, 2 Notches BW980 Fibre Composite, 1.930mm, 3 Notches	DS435 DV680 ▲	GV680 ▲	HBS095 ☒ M12x1.25x133.00mm (x10)	JC738	JN459		NA5187 30.00x52.00x7.00mm ACM



BV680, BV690, BV700, BW980

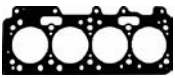
315	82.60	Diesel	
160 D1.000	4 Cyl.	1929cc	65-66kW (88-90)PS
			Turbo Intercooled
			TD1026 1006

TB307 173x22	TBK065 Component No: TB307; AE1061TP;AE1049GP		KIT		FOL104 (x8) [6]

[6] Mechanical [6] Mécanique [6] Meccanico [6] Mecánico

B x C x D	E x F x G
OE	
MAT.	
V91291	VAG92366
37.50 x 8.00 x 116.50	46.50 x 8.00 x 14.10
V91321	
33.50 x 8.00 x 116.45	
V91392	
33.50 x 8.00 x 116.70	

AC5140 MLS, 1.660mm BV680 Fibre Composite, 1.670mm, 0 Notches BV690 Fibre Composite, 1.750mm, 1 Notch AC5150 MLS, 1.760mm BV700 Fibre Composite, 1.850mm, 2 Notches AC5180 MLS, 1.860mm BW980 Fibre Composite, 1.930mm, 3 Notches AC5160 MLS, 1.960mm	DV680 ▲	GV680 ▲	HBS095 M12x1.25x133.00mm (x10)	JC738	JN459	NA5187 30.00x52.00x7.00mm ACM



AC5140, AC5150, AC5180, AC5160



BV680, BV690, BV700, BW980

FIAT GROUP

316	82.60	Diesel	
160 D1.000	4 Cyl.	19.2:1	1929cc
			66kW (90)PS
			Turbo Intercooled
			TD4610 1007

TB307 173x22	TBK065 Component No: TB307; AE1061TP;AE1049GP		KIT		

B x C x D	E x F x G
V91291 ■	VAG92366 ■ ■ ■
37.50 x 8.00 x 116.50	46.50 x 8.00 x 14.10
V91321 ■	
33.50 x 8.00 x 116.45	
V91392 ■	
33.50 x 8.00 x 116.70	

BR680 Graphite Composite, 1.650mm	DV680 ▲	GV680 ▲	HBS095 ☒	JC738	JN459	NA5187
BR700 Graphite Composite, 1.950mm, 2 Notches			M12x1.25x133.00mm (x10)			30.00x52.00x7.00mm ACM


BR680, BR700



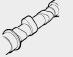



317	82.60	Diesel	
160 D100	4 Cyl.	20:1	1929cc
			51kW (69)PS
			TD10307 1008

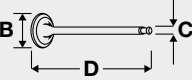



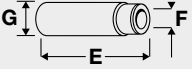
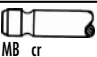

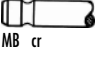
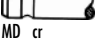
B x C x D	E x F x G
V91291 ■	VAG92366 ■ ■ ■
37.50 x 8.00 x 116.50	46.50 x 8.00 x 14.10
V91321 ■	
33.50 x 8.00 x 116.45	
V91392 ■	
33.50 x 8.00 x 116.70	






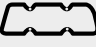





BV680 Fibre Composite, 1.670mm, 0 Notches	DV680 ▲	GV680 ▲	HBS095 ☒	JC738	JN459
BV690 Fibre Composite, 1.750mm, 1 Notch			M12x1.25x133.00mm (x10)		
BV700 Fibre Composite, 1.850mm, 2 Notches					

BV680, BV690, BV700

318	 82.60	Diesel			
230 A2.000	4 Cyl.	20:1	1929cc	51kW (70)PS	TD862 1009

					
TB278 173x25.4 →08/98					

 B x C x D	OE	MAT.				 E x F x G
V91295 ■ 37.50 x 8.00 x 117.00	5 990 532	 MB cr	45°	H		VAG92366 ■ ■ ■ 46.50 x 8.00 x 14.10 
V91767 ■ 37.50 x 8.00 x 117.00	5 990 532	 MB cr	45°	H		
V91392 ■ 33.50 x 8.00 x 116.70	5 990 533	 MD cr	45°			

							
BR680 Graphite Composite, 1.650mm AC5140 MLS, 1.660mm BV680 Fibre Composite, 1.670mm, 0 Notches BV690 Fibre Composite, 1.750mm, 1 Notch AC5150 MLS, 1.760mm BV700 Fibre Composite, 1.850mm, 2 Notches AC5180 MLS, 1.860mm BR700 Graphite Composite, 1.950mm, 2 Notches AC5160 MLS, 1.960mm	DV680 ▲	GV680 ▲	HBS095 ⊗ M12x1.25x133.00mm (x10)	JC738	JN459	HR363 ■	NA5187 30.00x52.00x7.00mm ACM
 AC5140, AC5150, AC5180, AC5160	 BR680, BR700	 BV680, BV690, BV700					

319

82.60

Diesel



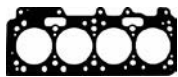
230 A3.000	4 Cyl.	20:1	1929cc	60kW (82)PS	Turbocharged	TD5481	1010
230 A4.000 Euro 2	4 Cyl.	19:1	1929cc	59kW (80)PS	Turbocharged	TD4407	1010

TB278 173x25.4 →08/98				FOL104 (x8) [6]	

[6] Mechanical [6] Mécanique [6] Meccanico [6] Mecánico

B x C x D	OE	MAT.	45°	H	E x F x G
V91295 ■	5 990 532		45°	H	VAG92366 ■ ■ ■
37.50 x 8.00 x 117.00		MB cr			46.50 x 8.00 x 14.10
V91767 ■	5 990 532		45°	H	
37.50 x 8.00 x 117.00		MB cr			
V91392 ■	5 990 533		45°		
33.50 x 8.00 x 116.70		MD cr			

BR680 Graphite Composite, 1.650mm	DV680 ▲	GV680 ▲	HBS095 ☒	JC738	JN459	HR363 ■	NA5187
AC5140 MLS, 1.660mm			M12x1.25x133.00mm (x10)				30.00x52.00x7.00mm ACM
BV680 Fibre Composite, 1.670mm, 0 Notches							
BV690 Fibre Composite, 1.750mm, 1 Notch							
AC5150 MLS, 1.760mm							
BV700 Fibre Composite, 1.850mm, 2 Notches							
AC5180 MLS, 1.860mm							
BW980 Fibre Composite, 1.930mm, 3 Notches							
AC5160 MLS, 1.960mm							





AC5140, AC5150, AC5180, AC5160



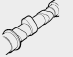





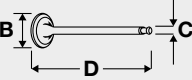



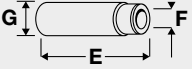

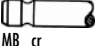
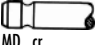
BR680






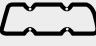




BV680, BV690, BV700, BW980

320	 82.60	Diesel					
280 A1.000	4 Cyl.	20:1	1929cc	60kW (82)PS	Turbocharged	TD1043	1010

					
TB278 173x25.4					FOL104 (x8) [6]
[6] Mechanical	[6] Mécanique	[6] Meccanico	[6] Mecánico		

					
B x C x D	OE	MAT.	45°	H	E x F x G
V91295 ■	5 990 532	 MB cr	45°	H	VAG92366 ■ ■ ■ 46.50 x 8.00 x 14.10
37.50 x 8.00 x 117.00					
V91767 ■	5 990 532	 MB cr	45°	H	
37.50 x 8.00 x 117.00					
V91392 ■	5 990 533	 MD cr	45°		
33.50 x 8.00 x 116.70					

							
BR680 Graphite Composite, 1.650mm	DV680 ▲	GV680 ▲	HBS095 ⊗ M12x1.25x133.00mm (x10)	JC738	JN459	HR596 ■	NA5187 30.00x52.00x7.00mm ACM
BV680 Fibre Composite, 1.670mm, 0 Notches							
BV690 Fibre Composite, 1.750mm, 1 Notch							
BV700 Fibre Composite, 1.850mm, 2 Notches							
BW980 Fibre Composite, 1.930mm, 3 Notches							
BR700 Graphite Composite, 1.950mm, 2 Notches							



BR680, BR700



BV680, BV690, BV700, BW980

321

82.60

Diesel



831 D1.000

4 Cyl.

20:1

1929cc

48-59kW (55-80)PS

Turbo Intercooled

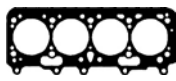
TD4607

1011

TB351 126x25.4 TB352 57x19 Driven unit: injection pump					
[6] Mechanical	[6] Mécanique	[6] Meccanico	[6] Mecánico	FOL104 (x8) [6]	

 B x C x D	OE	MAT.	 45°	 E x F x G
V91291 ■ 37.50 x 8.00 x 116.50	7 547 158	 MD cr	45°	VAG92366 ■ ■ 46.50 x 8.00 x 14.10
V91321 ■ 33.50 x 8.00 x 116.45 Eng. → 674284	7 588 577	 MD cr	45°	
V91392 ■ 33.50 x 8.00 x 116.70 Eng. 674285 →	5 990 533	 MD cr	45°	

BR680 Graphite Composite, 1.650mm BR700 Graphite Composite, 1.950mm, 2 Notches	DT290 ▲	GV680 ▲	HBS095 ☒ M12x1.25x133.00mm (x10)	JC738	JN568	HR596 ■	NA5187 30.00x52.00x7.00mm ACM



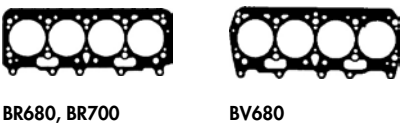
BR680, BR700

322	82.60	Diesel	
831 D1.000	4 Cyl.	1929cc	59kW (80)PS
			Turbocharged
			TD4410 1012

TB351 126x25.4	TB352 57x19				
Driven unit: injection pump					

B x C x D	E x F x G
OE	
MAT.	
V91291	VAG92366
37.50 x 8.00 x 116.50	46.50 x 8.00 x 14.10
V91321	
33.50 x 8.00 x 116.45	
V91392	
33.50 x 8.00 x 116.70	

BR680 Graphite Composite, 1.650mm	DT290 ▲	GV680 ▲	HBS095 ⊗ M12x1.25x133.00mm (x10)	JC738	JN568	HR596 ⊠	NA5187 30.00x52.00x7.00mm ACM
BV680 Fibre Composite, 1.670mm, 0 Notches							
BR700 Graphite Composite, 1.950mm, 2 Notches							



323

82.60

Diesel



835 A4.000

4 Cyl.

19.9:1

1929cc

66kW (90)PS

Turbocharged

TD1846

1013

TB307 173x22	TBK065 Component No: TB307; AE1061TP;AE1049GP		KIT		FOL104 (x8) [6]

[6] Mechanical

[6] Mécanique

[6] Meccanico

[6] Mecánico

B x C x D	OE	MAT.			E x F x G
V91291 ■ 37.50 x 8.00 x 116.50	7 547 158	 MD cr	45°		VAG92366 ■ ■ ■ 46.50 x 8.00 x 14.10
V91321 ■ 33.50 x 8.00 x 116.45 Eng. → 674284	7 588 577	 MD cr	45°		
V91392 ■ 33.50 x 8.00 x 116.70 Eng. 674285 →	5 990 533	 MD cr	45°		

BR680 Graphite Composite, 1.650mm BR700 Graphite Composite, 1.950mm, 2 Notches	DV680 ▲	GV680 ▲	HBS095 ☒ M12x1.25x133.00mm (x10)	JC738	JN459		NA5187 30.00x52.00x7.00mm ACM



BR680, BR700

324	82.60	Diesel					
835 A4.046	4 Cyl.	20:1	1929cc	66kW (90)PS	Turbocharged	TD5425	1013

TB307 173x22	TBK065 Component No: TB307; AE1061TP;AE1049GP		KIT		

B x C x D	E x F x G
OE	
MAT.	
V91291	VAG92366
37.50 x 8.00 x 116.50	46.50 x 8.00 x 14.10
V91321	
33.50 x 8.00 x 116.45	
Eng. → 674284	
V91392	
33.50 x 8.00 x 116.70	
Eng. 674285 →	

BR680 Graphite Composite, 1.650mm BR700 Graphite Composite, 1.950mm, 2 Notches	DV680 ▲	GV680 ▲	HBS095 ☒ M12x1.25x133.00mm (x10)	JC738	JN459	NA5187 30.00x52.00x7.00mm ACM



BR680, BR700

325

82.60

Diesel

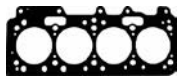


AR 33601 4 Cyl. 19.2:1 1929cc 66-68kW (90-92)PS Turbo Intercooled TD5069 1014

TB307 173x22	TBK065 Component No: TB307; AE1061TP;AE1049GP		KIT		

B x C x D	E x F x G
V91291 ■ 37.50 x 8.00 x 116.50	VAG96203 ■ ■ ■ 43.00 x 8.03 x 14.08
V91321 ■ 33.50 x 8.00 x 116.45	VAG96210 ■ ■ ■ 43.00 x 8.04 x 14.04

BR680 Graphite Composite, 1.650mm AC5140 MLS, 1.660mm BV680 Fibre Composite, 1.670mm, 0 Notches BV690 Fibre Composite, 1.750mm, 1 Notch AC5150 MLS, 1.760mm BV700 Fibre Composite, 1.850mm, 2 Notches AC5180 MLS, 1.860mm BW980 Fibre Composite, 1.930mm, 3 Notches AC5160 MLS, 1.960mm	DV680 ▲	GV680 ▲	HBS095 ☉ M12x1.25x133.00mm (x10)	JC738	JN459	HR596 ■	NA5187 30.00x52.00x7.00mm ACM



AC5140, AC5150, AC5180, AC5160



DV680



BV680, BV690, BV700, BW980









326	82.60	Diesel					
AR 67501	4 Cyl.	19.2:1	1929cc	66-68kW (90-92)PS	Turbocharged	TD140	1014
TB307 173x22	TBK065 Component No: TB307; AE1061TP;AE1049GP		KIT				






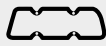

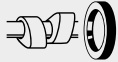

B x C x D	E x F x G
OE	
MAT.	
45°	
V91291	VAG96203
37.50 x 8.00 x 116.50	43.00 x 8.03 x 14.08
V91321	VAG96210
33.50 x 8.00 x 116.45	43.00 x 8.04 x 14.04

AC5140 MLS, 1.660mm BV680 Fibre Composite, 1.670mm, 0 Notches BV690 Fibre Composite, 1.750mm, 1 Notch AC5150 MLS, 1.760mm BV700 Fibre Composite, 1.850mm, 2 Notches AC5180 MLS, 1.860mm BW980 Fibre Composite, 1.930mm, 3 Notches AC5160 MLS, 1.960mm	DV680 ▲	GV680 ▲	HBS095 ☉ M12x1.25x133.00mm (x10)	JC738	JN459	HR363 ☒	NA5187 30.00x52.00x7.00mm ACM
AC5140, AC5150, AC5180, AC5160	BV680, BV690, BV700, BW980						

327	83.00	Diesel				
138 A5.000	4 Cyl.	20:1	1714cc	40-43kW (55-58)PS	TD4358	1016
BG820 Fibre Composite, 1.800mm, 1 Notch BG830 Fibre Composite, 1.950mm, 2 Notches	DG811 ▲					
BG820, BG830						



FIAT GROUP












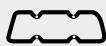

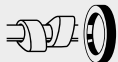
328	 83.00	Diesel				
138 B6.000	4 Cyl.	20.5:1	1714cc	43kW (58)PS	TD922	1018
						
TB150 138x25.4 03/83 → 04/85					FOL104 (x8) [6]	
[6] Mechanical	[6] Mécanique	[6] Meccanico	[6] Mecánico			



							
BG820 Fibre Composite, 1.800mm, 1 Notch BG830 Fibre Composite, 1.950mm, 2 Notches	DG811 ▲					HR596 	NA5187 30.00x52.00x7.00mm ACM

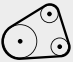

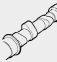





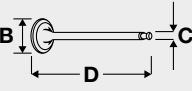
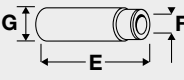


BG820, BG830






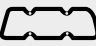


329	 83.00	Petrol					
939 B1.000	4 Cyl.	9.5:1	1742cc	147kW (200)PS	Turbocharged	TD22716	1019
939 B1.000	4 Cyl.	9.5:1	1742cc	147kW (200)PS	Turbocharged	TD24691	1019
940 A1.000	4 Cyl.	9.25:1	1742cc	173-177kW (235-241)PS	Turbo Intercooled	TD23922	1020

							
						FOL187 (x16)	
							
							NA5058 40.00x55.00x7.00mm FPM

330	 83.00	Petrol	
LFW	4 Cyl.	9.5:1	1761cc
			73kW (99)PS
			TD10167 1021

					
TB419 114x17 →12/00, HNBR	TBK010 →12/00 Component No: TB419; AE1026TP				
TB346 114x17 →12/00 Polychloroprene (Neoprene)					

	
B x C x D	E x F x G
OE	
MAT.	
	
45°	Y H
V91277 ■ 41.60 x 8.00 x 108.80	VAG92332B ■ 38.70 x 8.02 x 13.07
V91275 ■ 34.50 x 8.00 x 108.30	VAG96056B ■ 45.00 x 8.03 x 13.07
	VAG96116B ■ 45.00 x 8.03 x 13.58

							
BL650 Fibre Composite, 1.200mm BR510 Fibre Composite, 1.440mm	CY131 ▲		HBS260 ⊕ M11x1.50x168.00mm (x10) Eng.07448 →	JD519 ■ JC415 ■	JN547		NF817 36.00x50.00x7.00mm FPM



BL650

FIAT GROUP

331



83.00

Diesel



D8B 4 Cyl. 1905cc 68kW (92)PS Turbocharged TD6828 1022

TB560 136x25.4 →08/00, HNBR	TBK020 →08/00 Component No: TB175; AE1080TP;AE1081GP		KIT		FOL73 (x8) [6] FOL150 (x8) [6]

[6] Mechanical [6] Mécanique [6] Meccanico [6] Mecánico

B x C x D	E x F x G
V91144 ■ 38.50 x 8.00 x 112.50	VAG92288B ■ ■ 52.00 x 8.03 x 14.28
V91145 ■ 33.00 x 8.00 x 112.00	VAG92465B ■ ■ 52.00 x 8.03 x 14.07
V94017 ■ 33.00 x 8.00 x 111.90	

BX930 Steel Elastomer, 1.360mm, 1 Notch BX940 Steel Elastomer, 1.400mm, 2 Notches BX950 Steel Elastomer, 1.440mm, 3 Notches BX960 Steel Elastomer, 1.480mm, 4 Notches BX970 Steel Elastomer, 1.520mm, 5 Notches BX980 Steel Elastomer, 1.590mm ⊖(0.83) mm →	DJ720 ▲	GJ720 ▲	HBS277 ⊕ M12x1.50x148.00mm (x10)	JC759 (Steel) JC423 ■	JN544	HR569 ■	NF841 35.00x50.00x8.00mm FPM



BX930, BX940, BX950, BX960, BX970, BX980

332



83.00

Diesel



D8B (XUD9TE) 4 Cyl. 21.8:1 1905cc 66-69kW (90-94)PS Turbo Intercooled TD21263 1023

BX930 Steel Elastomer, 1.360mm, 1 Notch BX940 Steel Elastomer, 1.400mm, 2 Notches BX950 Steel Elastomer, 1.440mm, 3 Notches BX960 Steel Elastomer, 1.480mm, 4 Notches BX970 Steel Elastomer, 1.520mm, 5 Notches BX980 Steel Elastomer, 1.590mm ⊖(0.83) mm →		GJ720 ▲	HBS277 ⊕ M12x1.50x148.00mm (x10)	JN544	NF841 35.00x50.00x8.00mm FPM



BX930, BX940, BX950, BX960, BX970, BX980

333

83.00

Diesel



D9B 4 Cyl. 1905cc 50-51kW (68-69)PS TD6827 1024

TB560 136x25.4 HNBR TB175 136x25.4 Polychloroprene (Neoprene)	TBK020 Component No: TB175; AE1080TP;AE1081GP	CAM373 [7] CAM354 [8]	CKS2373	FOL150 (x8) [6]

[6] Mécanique [6] Meccanico [6] Mecánico
 [7] Camshaft driven vacuum pump. [7] Pompa à vide entraînée par l'arbre à cames [7] Pompa vacuum azionata dall'albero a camme [7] Bomba de vacío accionada por el árbol de levas
 [8] Pulley driven vacuum pump. [8] Pompa à vide entraînée par poulie [8] Pompa vacuum azionata dalla puleggia [8] Bomba de vacío accionada por polea

V91144 ■ 38.50 x 8.00 x 112.50	V94154 ■ 38.50 x 8.00 x 112.40	V91145 ■ 33.00 x 8.00 x 112.00	V94024 ■ 33.00 x 8.00 x 112.00	VAG92288B ■ ■ ■ 52.00 x 8.03 x 14.28	VAG92331B ■ ■ ■ 50.00 x 8.03 x 14.08	VAG96160B ■ ■ ■ 48.00 x 8.02 x 14.09
B x C x D	OE	MAT.	45°	H	E x F x G	

BX880 Fibre Composite, 1.360mm, 1 Notch →(0.56)→(0.67) mm	DJ720 ▲	GJ720 ▲	HBS084 ⊕ M12x1.50x120.00mm (x10)	JD5972 ■ JC423 ■	JN544	HR569 ■	NF841 35.00x50.00x8.00mm FPM
BX890 Fibre Composite, 1.400mm, 2 Notches →(0.68)→(0.71) mm							
BX900 Fibre Composite, 1.440mm, 3 Notches →(0.72)→(0.75) mm							
BX910 Fibre Composite, 1.480mm, 4 Notches →(0.76)→(0.79) mm							
BX920 Fibre Composite, 1.520mm, 5 Notches →(0.8)→(0.83) mm							



BX880, BX890, BX900, BX910, BX920

FIAT GROUP

334

83.00

Diesel



D9B (XUD9A)

4 Cyl.

23:1

1905cc

47-52kW (64-71)PS

TD21265

1025

TB560 136x25.4 →11/01, HNBR	TBK020 →11/01 Component No: TB175; AE1080TP;AE1081GP		KIT		FOL150 (x8) [6]

[6] Mechanical

[6] Mécanique

[6] Meccanico

[6] Mecánico

B x C x D	E x F x G
V91144	VAG92288B
38.50 x 8.00 x 112.50	52.00 x 8.03 x 14.28
V94154	VAG92331B
38.50 x 8.00 x 112.40	50.00 x 8.03 x 14.08
V91145	VAG96160B
33.00 x 8.00 x 112.00	48.00 x 8.02 x 14.09
V94024	
33.00 x 8.00 x 112.00	

BX880 Fibre Composite, 1.360mm, 1 Notch →(0.56)→(0.67) mm	DJ720	GJ720	HBS084 M12x1.50x120.00mm (x10)	JD5972 JC423	JN544	HR569	NF841 35.00x50.00x8.00mm FPM
BX890 Fibre Composite, 1.400mm, 2 Notches →(0.68)→(0.71) mm							
BX900 Fibre Composite, 1.440mm, 3 Notches →(0.72)→(0.75) mm							
BX910 Fibre Composite, 1.480mm, 4 Notches →(0.76)→(0.79) mm							
BX920 Fibre Composite, 1.520mm, 5 Notches →(0.8)→(0.83) mm							



BX880, BX890, BX900, BX910, BX920

335

83.00

Diesel



DHX (XUD9TE)

4 Cyl.

21.8:1

1905cc

66-69kW (90-94)PS

Turbo Intercooled

TD21264

1023

BX930 Steel Elastomer, 1.360mm, 1 Notch		GJ720	HBS277 M12x1.50x148.00mm (x10)				NF841 35.00x50.00x8.00mm FPM
BX940 Steel Elastomer, 1.400mm, 2 Notches							
BX950 Steel Elastomer, 1.440mm, 3 Notches							
BX960 Steel Elastomer, 1.480mm, 4 Notches							
BX970 Steel Elastomer, 1.520mm, 5 Notches							
BX980 Steel Elastomer, 1.590mm →(0.83) mm→							



BX930, BX940, BX950, BX960, BX970, BX980

336	83.00	Diesel						
DHX (XUD9TF/L)	4 Cyl.	21.8:1	1905cc	66-68kW (90-92)PS	Turbo Intercooled	TD4352	1026	

TB560 136x25.4 →11/01, HNBR	TBK020 →11/01 Component No: TB175; AE1080TP;AE1081GP				FOL150 (x8) [6]

[6] Mechanical [6] Mécanique [6] Meccanico [6] Mecánico

B x C x D	OE	MAT.	45°	H	E x F x G		
V91144	96 005 391		45°	H	VAG92288B		
38.50 x 8.00 x 112.50		MB			52.00 x 8.03 x 14.28		
V91145	96 137 360		45°		VAG92465B		
33.00 x 8.00 x 112.00		MD cr			52.00 x 8.03 x 14.07		
V94017	0949.74		45°				
33.00 x 8.00 x 111.90		MD cr					

BX930 Steel Elastomer, 1.360mm, 1 Notch BX940 Steel Elastomer, 1.400mm, 2 Notches BX950 Steel Elastomer, 1.440mm, 3 Notches BX960 Steel Elastomer, 1.480mm, 4 Notches BX970 Steel Elastomer, 1.520mm, 5 Notches BX980 Steel Elastomer, 1.590mm ⌀(0.83) mm →	DJ720 →Eng.08574 DS435	GS435 10/83 →03/87	HBS277 M12x1.50x148.00mm (x10) Eng.08575→	JC759 (Steel) JC991 JC423	JN544	HR569	NF841 35.00x50.00x8.00mm FPM



BX930, BX940, BX950, BX960, BX970, BX980

337	83.00	Diesel						
DHX	4 Cyl.	21.8:1	1905cc	59kW (80)PS	Turbo Intercooled	TD24799	1027	

					FOL150 (x8) [6]

[6] Mechanical [6] Mécanique [6] Meccanico [6] Mecánico

BX930 Steel Elastomer, 1.360mm, 1 Notch BX940 Steel Elastomer, 1.400mm, 2 Notches BX950 Steel Elastomer, 1.440mm, 3 Notches BX960 Steel Elastomer, 1.480mm, 4 Notches BX970 Steel Elastomer, 1.520mm, 5 Notches BX980 Steel Elastomer, 1.590mm ⌀(0.83) mm →							NF841 35.00x50.00x8.00mm FPM



BX930, BX940, BX950, BX960, BX970, BX980

338

83.00

Diesel



DJY (XUD9)

4 Cyl.

23.5:1

1905cc

50-52kW (68-71)PS

TD21267

1028

[6] Mechanical		[6] Mécanique		[6] Meccanico		[6] Mecánico	
				JC423			NF841 35.00x50.00x8.00mm FPM

339

83.00

Diesel



DJY

4 Cyl.

23.5:1

1905cc

50kW (68)PS

TD12748

1029



TB560 136x25.4 →11/01, HNBR	TBK020 →11/01 Component No: TB175; AE1080TP;AE1081GP	CAM373 [7] CAM354 [8]	CKS2373				FOL150 (x8) [6]
[6] Mechanical [7] Camshaft driven vacuum pump. [8] Pulley driven vacuum pump.		[6] Mécanique [7] Pompe à vide entraînée par l'arbre à cames [8] Pompe à vide entraînée par poulie		[6] Meccanico [7] Pompa vacuum azionata dall'albero a camme [8] Pompa vacuum azionata dalla puleggia		[6] Mecánico [7] Bomba de vacío accionada por el árbol de levas [8] Bomba de vacío accionada por polea	





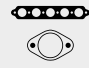
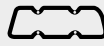





B x C x D	E x F x G
V91144	VAG92288B
38.50 x 8.00 x 112.50	52.00 x 8.03 x 14.28
V94154	VAG92331B
38.50 x 8.00 x 112.40	50.00 x 8.03 x 14.08
V91145	VAG96160B
33.00 x 8.00 x 112.00	48.00 x 8.02 x 14.09
V94024	
33.00 x 8.00 x 112.00	



BX880 Fibre Composite, 1.360mm, 1 Notch →(0.56)→(0.67) mm	DJ720	GJ720	HBS084	JD5972	JN544	HR569	NF841				
BX890 Fibre Composite, 1.400mm, 2 Notches →(0.68)→(0.71) mm			M12x1.50x120.00mm (x10)	JC423			35.00x50.00x8.00mm FPM				
BX900 Fibre Composite, 1.440mm, 3 Notches →(0.72)→(0.75) mm											
BX910 Fibre Composite, 1.480mm, 4 Notches →(0.76)→(0.79) mm											
BX920 Fibre Composite, 1.520mm, 5 Notches →(0.8)→(0.83) mm											














BX880, BX890, BX900, BX910, BX920







340	 83.00	Diesel					
198 A5.000	4 Cyl.	16.5:1	1956cc	121kW (165)PS	Turbo Intercooled	TD24647	1031
250 A1.000 Euro 5	4 Cyl.	16.5:1	1956cc	85kW (116)PS	Turbo Intercooled	TD25173	1032
939 B4.000	4 Cyl.		1956cc	100kW (136)PS	Turbo Intercooled	TD24644	1035
939 B5.000	4 Cyl.	16.5:1	1956cc	125kW (170)PS	Turbo Intercooled	TD24645	1035
939 B5.000	4 Cyl.		1956cc	100-125kW (140-170)PS	Turbo Intercooled	TD26620	1035
940 A5.000 Euro 5	4 Cyl.	16.5:1	1956cc	103kW (140)PS	Turbo Intercooled	TD24578	1035
940 A5.000 Euro 5	4 Cyl.	16.5:1	1956cc	103kW (140)PS	Turbo Intercooled	TD26672	1035
D20AA Euro 5	4 Cyl.	16.5:1	1956cc	99kW (135)PS	Turbocharged	TD24670	1032

							
AH7370 MLS, 0.95mm, 0 Holes							
AH7380 MLS, 1.05mm, 1 Hole							
AH7390 MLS, 1.15mm, 2 Holes							
							
AH7370	AH7380	AH7390					

341	 83.00	Diesel					
198 A5.000	4 Cyl.	16.1:1	1956cc	121kW (165)PS	Turbo Intercooled	TD21043	1030
198 A5.000	4 Cyl.	16.5:1	1956cc	121kW (165)PS	Turbocharged	TD24569	1030
198 A8.000	4 Cyl.	16.5:1	1956cc	121kW (165)PS	Turbo Intercooled	TD25650	1032
263 A1.000 Euro 5	4 Cyl.	16.5:1	1956cc	99kW (135)PS	Turbo Intercooled	TD24764	1032
939 B3.000	4 Cyl.		1956cc	125kW (170)PS	Turbo Intercooled	TD23107	1032
940 A4.000	4 Cyl.	16.5:1	1956cc	125kW (170)PS	Turbo Intercooled	TD23924	1030

						FOL187 (x16)	
AH7370 MLS, 0.95mm, 0 Holes							
AH7380 MLS, 1.05mm, 1 Hole							
AH7390 MLS, 1.15mm, 2 Holes							
							
AH7370	AH7380	AH7390					

342	 83.00	Diesel					
844 A2.000	4 Cyl.	16.5:1	1956cc	120kW (163)PS	Turbocharged	TD24593	1034

						FOL187 (x16)	
--	---	---	---	---	---	---------------------	--

FIAT GROUP

343



83.00

Petrol



932 A2.000

4 Cyl.

1970cc

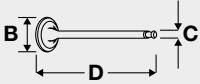
119-121kW (162-165)PS

TD18076

1036



TB468
168x24
→03/07

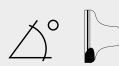


B x C x D

OE



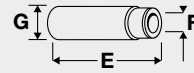
MAT.



45°



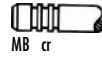
H



E x F x G

V91933 ■
33.40 x 7.00 x 113.10

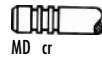
608 11 153



MB cr

V91934 ■
28.00 x 7.00 x 108.60

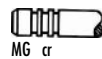
608 11 154



MD cr

V94591 ■
28.00 x 7.00 x 108.80

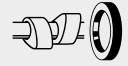
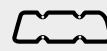
606 74 496



MG cr

VAG96123 ■
42.25 x 7.02 x 13.05

VAG96230 ■
46.00 x 7.02 x 13.06



AD5870 MLS

JD273 ■
MLS

NA5053

30.00x42.00x7.00mm FPM



AD5870

344



83.00

Petrol



937 A1.000

4 Cyl.

11.3:1

1970cc

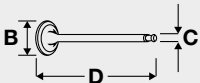
119-122kW (162-166)PS

TD16381

1037



TB468
168x24

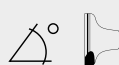


B x C x D

OE



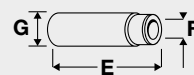
MAT.



45°



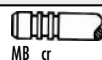
H



E x F x G

V91933 ■
33.40 x 7.00 x 113.10

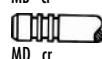
608 11 153



MB cr

V91934 ■
28.00 x 7.00 x 108.60

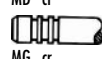
608 11 154



MD cr

V94591 ■
28.00 x 7.00 x 108.80

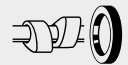
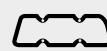
606 74 496



MG cr

VAG96123 ■
42.25 x 7.02 x 13.05

VAG96230 ■
46.00 x 7.02 x 13.06



AD5870 MLS

HBS132 ☒
M10x1.25x254.00mm (x10)

JD273 ■
MLS

NA5053

30.00x42.00x7.00mm FPM



AD5870

345

 83.00

Petrol



AR 16201

4 Cyl.

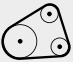





10:1

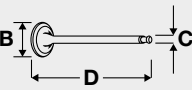
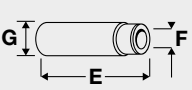
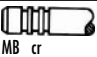

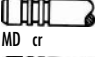

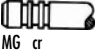
1970cc






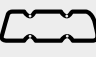

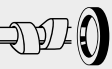
110kW (150)PS

TD4188

1038

					
TB468 168x24					FOL106 (x16) Height: 24mm
TB607 126x15					FOL145 (x16) Height: 26mm
Eng. → 0134318 Driven unit: balance shaft					

			
B x C x D	OE	MAT.	E x F x G
V91933 ■ 33.40 x 7.00 x 113.10	608 11 153	 MB cr	 VAG96123 ■ 42.25 x 7.02 x 13.05
V91934 ■ 28.00 x 7.00 x 108.60	608 11 154	 MD cr	 VAG96230 ■ 46.00 x 7.02 x 13.06
V94591 ■ 28.00 x 7.00 x 108.80	606 74 496	 MG cr	

							
AA5420 MLS, 0.380mm	DW710	GW713		JD271 ■ (Metal)	HL700 ■	HR599 ■	NA5053 30.00x42.00x7.00mm FPM
AD5950 MLS, 0.450mm				JD273 ■ MLS			



AA5420



AD5950

FIAT GROUP

346

83.00

Petrol



AR 32301 4 Cyl. 10.1:1 1970cc 114kW (155)PS TD9463 1038

			KIT		
TB468 168x24 TB607 126x15 Eng.→0134318 Driven unit: balance shaft	TBK356 Component No: TB468; AE1147TP;AE1042TP				FOL106 (x16) Height: 24mm FOL145 (x16) Height: 26mm

	OE	MAT.			
V91933 ■ 33.40 x 7.00 x 113.10	608 11 153		45°	H	VAG96123 ■ 42.25 x 7.02 x 13.05
V91934 ■ 28.00 x 7.00 x 108.60	608 11 154		45°	ss	VAG96230 ■ 46.00 x 7.02 x 13.06
V94591 ■ 28.00 x 7.00 x 108.80	606 74 496		45°	ss H	

BW710 Fibre Composite, 1.650mm	DW711 →05/98 DW712 05/98→	GW711 →05/98 GW712 05/98→	HBS132 ☒ M10x1.25x254.00mm (x10)	JD271 ■ (Metal) JD273 ■ MLS	JM5002 (Elastomer) 05/98→ HL700 ■ →05/98	HR599 ■	NA5053 30.00x42.00x7.00mm FPM



BW710

347

83.00

Petrol



AR 32303 4 Cyl. 10.1:1 1970cc 110-118kW (150-160)PS TD19055 1039

			KIT		
					FOL106 (x16) Height: 24mm FOL145 (x16) Height: 26mm

BW710 Fibre Composite, 1.650mm	DW712	GW712		JD271 ■ (Metal) JD273 ■ MLS	JM5002 (Elastomer)	HR599 ■	NA5053 30.00x42.00x7.00mm FPM



BW710

348	83.00	Petrol	
AR 32310 D4	4 Cyl.	10:1	1970cc
			110kW (150)PS
			TD15391 1040

TB468 168x24 TB732 130x15 Driven unit: balance shaft	TBK356 Component No: TB468; AE1147TP;AE1042TP				FOL106 (x16) Height: 24mm FOL145 (x16) Height: 26mm

B x C x D	E x F x G
OE	
MAT.	
V91933 ■ 33.40 x 7.00 x 113.10	VAG96123 ■ 42.25 x 7.02 x 13.05
V91934 ■ 28.00 x 7.00 x 108.60	VAG96230 ■ 46.00 x 7.02 x 13.06
V94591 ■ 28.00 x 7.00 x 108.80	
608 11 153 608 11 154 606 74 496	
MB cr MD cr MG cr	
45° 45° 45°	
H ss ss	
	H

AD5950 MLS, 0.450mm →05/00	CA5420		HBS132 ☒ M10x1.25x254.00mm (x10)	JD271 ■ (Metal)	JM5002 (Elastomer)	HR599 ■	NA5053 30.00x42.00x7.00mm FPM
AA5420 MLS, 0.380mm 06/00→				JD273 ■ MLS			



AA5420



AD5950

349



83.00

Petrol



AR 34103 4 Cyl. 10:1 1970cc 114kW (155)PS TD11599 1038



TB468 168x24 →06/00	TBK356 →06/00 Component No: TB468; AE1147TP;AE1042TP		KIT		FOL106 (x16) Height: 24mm FOL145 (x16) Height: 26mm







B x C x D	E x F x G
V91933 ■ 33.40 x 7.00 x 113.10	VAG96123 ■ 42.25 x 7.02 x 13.05
V91934 ■ 28.00 x 7.00 x 108.60	VAG96230 ■ 46.00 x 7.02 x 13.06
V94591 ■ 28.00 x 7.00 x 108.80	
OE	
MAT.	
MB cr	45°
MD cr	45° ss
MG cr	45° ss H

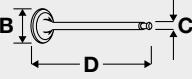
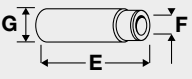
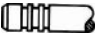

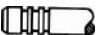
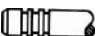
BW710 Fibre Composite, 1.650mm	DW712	GW712	HBS132 ☒ M10x1.25x254.00mm (x10)	JD271 ■ (Metal) JD273 ■ MLS	JM5002 (Elastomer) HL700 ■	HR599 ■	NA5053 30.00x42.00x7.00mm FPM NA5163 32.00x47.00x10.00mm FPM






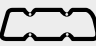

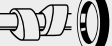


BW710

350	 83.00	Petrol	
AR 36301 D4	4 Cyl.	1970cc	110kW (150)PS
			TD15392 1040

					
TB468 168x24 →09/07	TBK356 →09/07 Component No: TB468; AE1147TP;AE1042TP		KIT		FOL106 (x16) Height: 24mm FOL145 (x16) Height: 26mm

						
B x C x D	OE	MAT.				E x F x G
V91933 ■ 33.40 x 7.00 x 113.10	608 11 153	 MB cr	45°		H	VAG96123 ■ 42.25 x 7.02 x 13.05
V91934 ■ 28.00 x 7.00 x 108.60	608 11 154	 MD cr	45°	ss		VAG96230 ■ 46.00 x 7.02 x 13.06
V94591 ■ 28.00 x 7.00 x 108.80	606 74 496	 MG cr	45°	ss	H	

							
AA5420 MLS, 0.380mm 06/00 →	CA5420 06/00 →	HBS132 Ⓢ M10x1.25x254.00mm (x10)		JM5002 (Elastomer) 05/98 →	HR599 ■	NA5053 30.00x42.00x7.00mm FPM	



AA5420

FIAT GROUP

351



83.00

Petrol



AR 67204 4 Cyl. 1970cc 110kW (150)PS TD4190 1038

TB468 168x24 →09/99 TB607 126x15 Eng.→0117877 Driven unit: balance shaft	TBK356 →09/99 Component No: TB468; AE1147TP;AE1042TP				FOL106 (x16) Height: 24mm FOL145 (x16) Height: 26mm

	OE	MAT.			
V91933 ■ 33.40 x 7.00 x 113.10	608 11 153		45°	H	VAG96123 ■ 42.25 x 7.02 x 13.05
V91934 ■ 28.00 x 7.00 x 108.60	608 11 154		45°	ss	VAG96230 ■ 46.00 x 7.02 x 13.06
V94591 ■ 28.00 x 7.00 x 108.80	606 74 496		45°	ss	

AA5420 MLS, 0.380mm	CA5420	JD271 ■ (Metal) JD273 ■ MLS	HL700 ■	HR599 ■	NA5053 30.00x42.00x7.00mm FPM



AA5420

352



83.00

Petrol



AR 67299 4 Cyl. 10:1 1970cc 110-114kW (150-155)PS TD23351 1041

TB468 168x24 TB607 126x15 Eng.→0117877 Driven unit: balance shaft	TBK356 Component No: TB468; AE1147TP;AE1042TP				FOL106 (x16) Height: 24mm FOL145 (x16) Height: 26mm

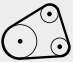





BW710 Fibre Composite, 1.650mm	DW710 →10/96 DW711 01/97→	JD271 ■ (Metal) JD273 ■ MLS	HR646 ■	NA5053 30.00x42.00x7.00mm FPM NA5069 55.00x68.00x8.00mm FPM

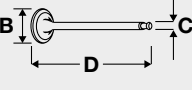



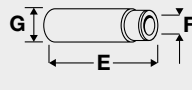
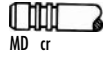






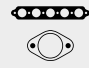
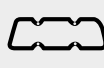


BW710

353  **83.00** **Petrol** 

AR 67202 4 Cyl. 10:1 1995cc 104kW (141)PS TD137 1042

					
					FOL106 (x8) Height: 24mm FOL145 (x20) Height: 26mm

	OE				
B x C x D		MAT.	45°		E x F x G
V91308 ■ 44.00 x 8.00 x 116.00	605 64 098	 MD cr			VAG96260B ■ 48.00 x 8.00 x 15.07 VAG96268 ■ 45.00 x 8.00 x 15.07







							
BW410 Fibre Composite	DW410	GW410		JD235 ■ JD015 ■ (x4)	JN940	HR363 ■	NA5163 32.00x47.00x10.00mm FPM

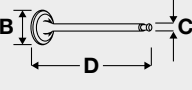



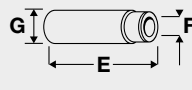
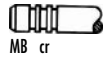
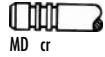
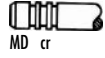
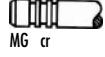





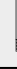

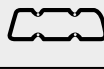


BW410

354  **83.00** **Petrol** 

192 A2.000 5 Cyl. 10.5:1 2446cc 117-125kW (159-170)PS TD16396 1044

					
					FOL106 (x20) Height: 24mm FOL145 (x20) Height: 26mm

	OE				
B x C x D		MAT.	45°		E x F x G
V91933 ■ 33.40 x 7.00 x 113.10	608 11 153	 MB cr	45°	H	VAG96123 ■ 42.25 x 7.02 x 13.05
V91934 ■ 28.00 x 7.00 x 108.60	608 11 154	 MD cr	45°	ss	VAG96146 ■ 42.50 x 7.04 x 13.05
V94582 ■ 28.00 x 7.00 x 108.50	7 766 565	 MD cr	45°		VAG96145 ■ 46.00 x 7.02 x 13.03
V94591 ■ 28.00 x 7.00 x 108.80	606 74 496	 MG cr	45°	ss H	VAG96230 ■ 46.00 x 7.02 x 13.06

							
AA5590 MLS, 0.490mm	CA5590		HBS133 ☉ M10x1.25x254.00mm (x12)	JD225 ■ JD226 ■	JM5018 (Elastomer)	HR800 ■	NA5053 30.00x42.00x7.00mm FPM NA5069 55.00x68.00x8.00mm FPM



AA5590

FIAT GROUP







355

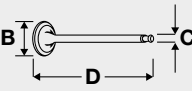
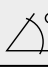

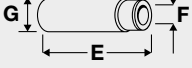
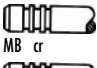
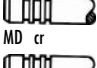
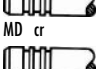
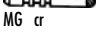
 **83.00**






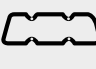


Petrol



838 A2.000	5 Cyl.	10:1	2446cc	129kW (175)PS	TD4617	1045
838 A2.027	5 Cyl.	10:1	2446cc	129kW (175)PS	TD14528	1045



					
TB468 168x24			KIT		FOL106 (x20) Height: 24mm FOL145 (x20) Height: 26mm

	OE	MAT.			
B x C x D					E x F x G
V91933 ■ 33.40 x 7.00 x 113.10	608 11 153	 MB cr	45°	H	VAG96123 ■ 42.25 x 7.02 x 13.05
V91934 ■ 28.00 x 7.00 x 108.60	608 11 154	 MD cr	45°	ss	VAG96146 ■ 42.50 x 7.04 x 13.05
V94582 ■ 28.00 x 7.00 x 108.50	7 766 565	 MD cr	45°		VAG96145 ■ 46.00 x 7.02 x 13.03
V94591 ■ 28.00 x 7.00 x 108.80	606 74 496	 MG cr	45°	ss H	VAG96230 ■ 46.00 x 7.02 x 13.06







							
BW330 Fibre Composite			HBS133 ☒ M10x1.25x254.00mm (x12)	JD226 ■	JN933	HR800 ■	NA5053 30.00x42.00x7.00mm FPM

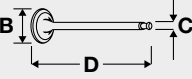



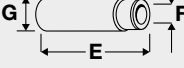

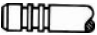


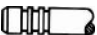


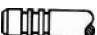


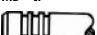








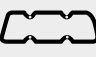





BW330

356  **83.00** **Petrol** 

838 B2.000 5 Cyl. 10:1 2446cc **129kW (175)PS** **TD18864** **1043**

					
					FOL106 (x20) Height: 24mm FOL145 (x20) Height: 26mm

 B x C x D	OE	MAT.				 E x F x G
V91933 	608 11 153	 MB cr	45°		H	VAG96123  42.25 x 7.02 x 13.05
V91934 	608 11 154	 MD cr	45°	ss		VAG96146  42.50 x 7.04 x 13.05
V94582 	7 766 565	 MD cr	45°			VAG96145  46.00 x 7.02 x 13.03
V94591 	606 74 496	 MG cr	45°	ss	H	VAG96230  46.00 x 7.02 x 13.06

							
BW321 Fibre Composite				JD225  JD226 		HR602 	NA5053 30.00x42.00x7.00mm FPM



BW321

FIAT GROUP

357	83.00	Petrol	
841 D.000	5 Cyl.	10.3:1	2446cc
			125kW (170)PS
			TD16732 1043

	KIT		KIT		
TB468 168x24 →08/06					FOL106 (x20) Height: 24mm FOL145 (x20) Height: 26mm

 B x C x D	OE	MAT.				 E x F x G
V91933	608 11 153	MB cr	45°		H	VAG96123 42.25 x 7.02 x 13.05
V91934	608 11 154	MD cr	45°	ss		VAG96146 42.50 x 7.04 x 13.05
V94582	7 766 565	MD cr	45°			VAG96145 46.00 x 7.02 x 13.03
V94591	606 74 496	MG cr	45°	ss	H	VAG96230 46.00 x 7.02 x 13.06

AD5960 MLS			HBS133 M10x1.25x254.00mm (x12)	JD225 JD226		HR816	NA5053 30.00x42.00x7.00mm FPM



AD5960

358	83.40	Petrol	
AR 67103	4 Cyl.	10.3:1	1748cc
			83kW (113)PS
			TD134 1046

 B x C x D	OE	MAT.				 E x F x G
V91308	605 64 098	MD cr	45°			VAG96260B 48.00 x 8.00 x 15.07
						VAG96268 45.00 x 8.00 x 15.07

BW410 Fibre Composite	DW410	GW410		JD235 JD015 (x4)	JN940	HR363	

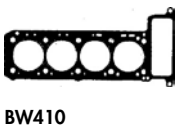


BW410

359	83.50	Petrol	
AR 67105	4 Cyl.	10.3:1	1748cc
			83-85kW (113-115)PS
			TD135 1047

<p>B x C x D</p>	OE	MAT.		<p>E x F x G</p>
V91308 ■ 44.00 x 8.00 x 116.00	605 64 098	 MD cr	45°	VAG96260B ■ 48.00 x 8.00 x 15.07 VAG96268 ■ 45.00 x 8.00 x 15.07

BW410 Fibre Composite	DW410	GW410		JD235 ■ JD015 ■ (x4)	JN940	HR363 ■	

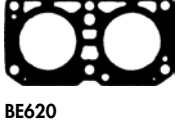


360	84.00	Petrol	
AR 30184	4 Cyl.	9:1	1286cc
			55kW (75)PS
			TD85 1048



TB106 98x17			KIT		







<p>B x C x D</p>	OE	MAT.		<p>E x F x G</p>
V91629 ■ 39.80 x 8.00 x 92.00	605 40 326	 MB	45°	VAG96261 ■ 40.50 x 8.02 x 13.08
V91630 ■ 33.10 x 8.00 x 92.10	605 40 325	 MD cr	45°	

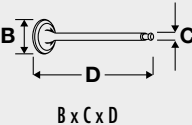

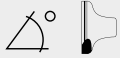

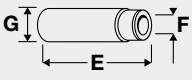





BE620 Fibre Composite (x2)	CN353 DE622			JA899 ■ (x4)	JN588 (x2)		NA5064 35.00x58.00x10.00mm ACM






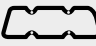





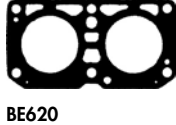
FIAT GROUP



361	 84.00	Petrol			
AR 30124	4 Cyl.	9:1	1490cc	61-64kW (83-87)PS	TD78 1049
AR 30128	4 Cyl.	9:1	1490cc	70kW (95)PS	TD79 1049
AR 30520	4 Cyl.	9:1	1490cc	66kW (90)PS	TD91 1049

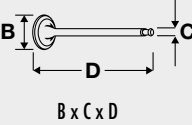

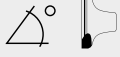

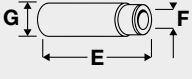

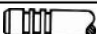
					
TB106			KIT		
98x17					

				
B x C x D	OE	MAT.	45°	H
V91629 	605 40 326		45°	VAG96261 
39.80 x 8.00 x 92.00		MB		40.50 x 8.02 x 13.08
V91630 	605 40 325		45°	
33.10 x 8.00 x 92.10		MD cr		

							
BE620 Fibre Composite (x2)	DE622			JA899  (x4)	JN588 (x2)		NA5064 35.00x58.00x10.00mm ACM



362	 84.00	Petrol			
AR 30143	4 Cyl.	1490cc	62kW (84)PS	TD10131 1050	

				
B x C x D	OE	MAT.	45°	ss
V90392 	10289.60000.00		45°	
33.10 x 8.00 x 92.90		MD cr		

363	84.00	Petrol				
AR 30146	4 Cyl.	9.5:1	1490cc	75-77kW (102-105)PS	TD80	1049
AR 30508	4 Cyl.		1490cc	77kW (105)PS	TD90	1049

TB106 98x17			KIT		

B x C x D	E x F x G
V91615	VAG96261
33.00 x 7.98 x 97.50	40.50 x 8.02 x 13.08

BE620 Fibre Composite (x2)	DE622				JA899 (x4)	JN588 (x2)			NA5064 35.00x58.00x10.00mm ACM

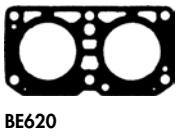


364	84.00	Petrol			
AR 30182	4 Cyl.	1490cc	70kW (95)PS	TD10128	1049



TB106 98x17 →12/90 TB338 100x17 01/91→	TBK287 01/91→ Component No: TB338; AE1006TP;AE1007TP		KIT		

B x C x D	E x F x G
V91614	V91615
38.00 x 8.00 x 97.00	33.00 x 7.98 x 97.50

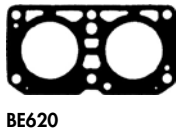
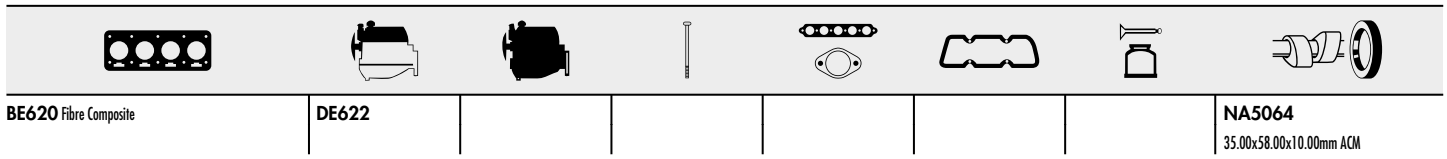
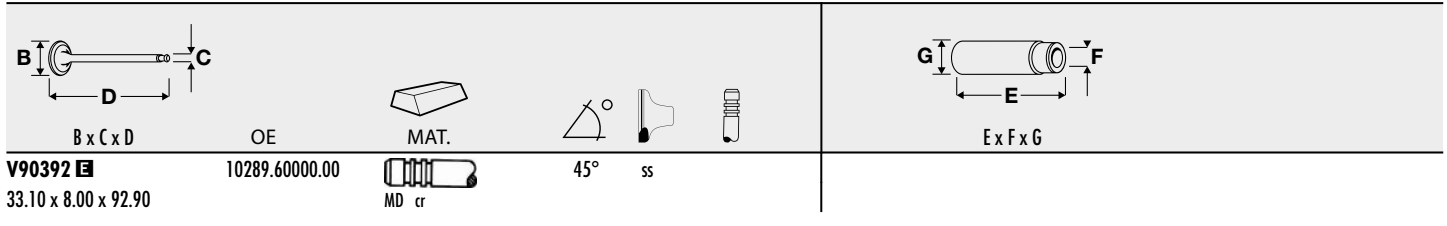
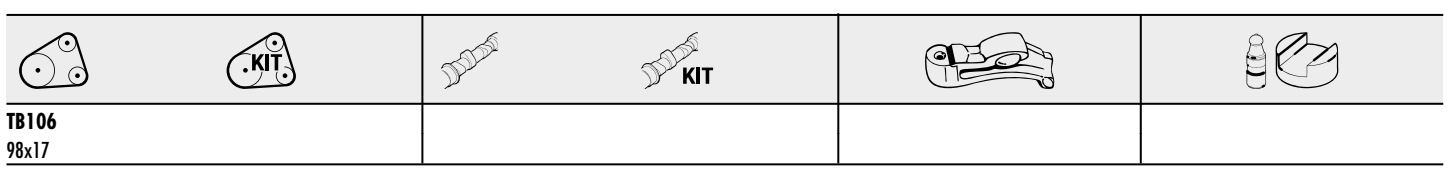
BE620 Fibre Composite (x2)	DE622				JA899 (x4)	JN588 (x2)			NA5064 35.00x58.00x10.00mm ACM





FIAT GROUP

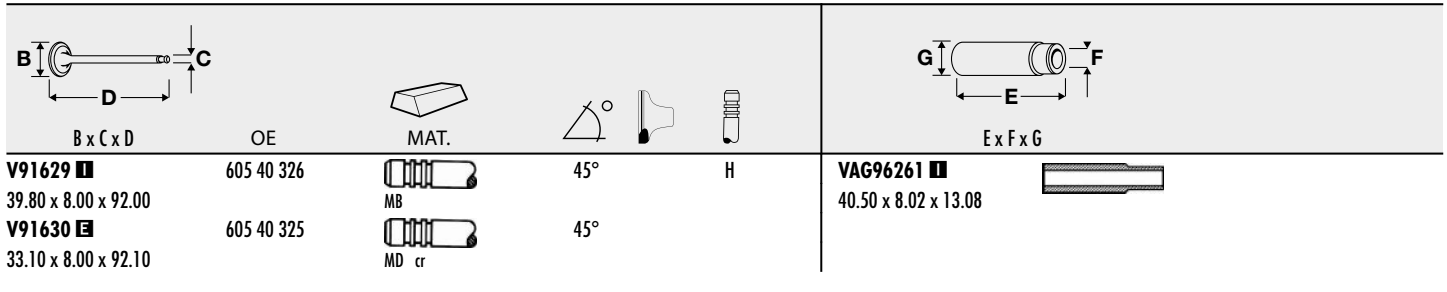
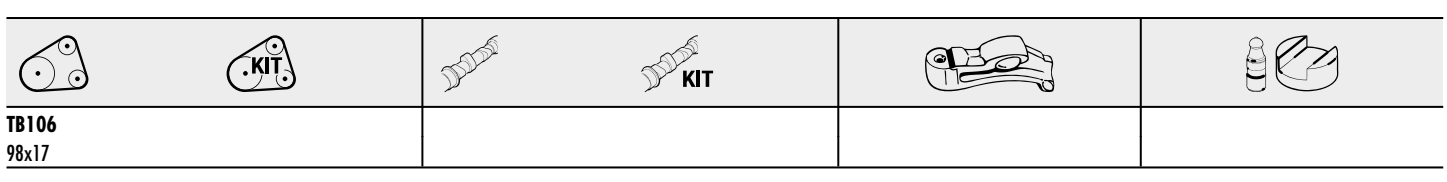
365  **84.00** **Petrol** 

AR 30504 4 Cyl. 9:1 1490cc 62kW (84)PS TD89 1049



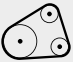





366  **84.00** **Petrol** 

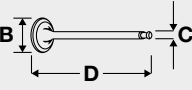

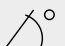

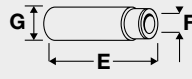

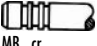


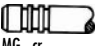
AR 30514 4 Cyl. 1490cc 70kW (95)PS TD6373 1052






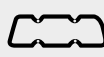

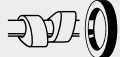
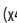


367  **84.00** **Petrol** 

AR 30588 4 Cyl. 1490cc 75-77kW (102-105)PS TD98 **1053**

					
TB106 98x17					

					
B x C x D	OE	MAT.	45°	H	E x F x G
V91614 	129661		45°	H	VAG96261 
38.00 x 8.00 x 97.00		MB cr			40.50 x 8.02 x 13.08
V91627 	605 03 993		45°	ss H	
33.00 x 8.00 x 93.50		MG cr			







							
BE620 Fibre Composite (x2)	DE622			JA899  (x4)	JN588 (x2)		NA5064 35.00x58.00x10.00mm ACM

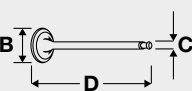

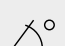

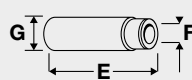

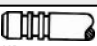


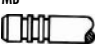


BE620

368  **84.00** **Petrol** 

AR 30734 4 Cyl. 1490cc 77kW (105)PS TD108 **1051**

					
TB106 98x17 →12/90	TBK287 01/91→ Component No: TB338; AE1006TP;AE1007TP				
TB338 100x17 01/91→					

					
B x C x D	OE	MAT.	45°	H	E x F x G
V91629 	605 40 326		45°	H	VAG96261 
39.80 x 8.00 x 92.00		MB			40.50 x 8.02 x 13.08
V91630 	605 40 325		45°		
33.10 x 8.00 x 92.10		MD cr			

FIAT GROUP







369

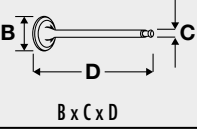

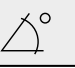

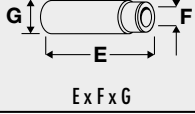
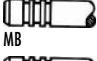
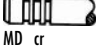
 **84.00**






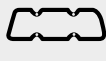


Petrol



AR 30750 4 Cyl. 1490cc 74kW (101)PS TD116 **1054**

			 KIT		
TB106 98x17 →12/90 TB338 100x17 01/91→	TBK287 01/91→ Component No: TB338; AE1006TP;AE1007TP				

	OE				
V91629 ■ 39.80 x 8.00 x 92.00	605 40 326		45°	H	VAG96261 ■ 40.50 x 8.02 x 13.08
V91630 ■ 33.10 x 8.00 x 92.10	605 40 325		45°		

							
BE620 Fibre Composite (x2)	DE623			JD221 (x2) JA899 ■ (x4)	JN588 (x2)	HR363 ■	NA5064 35.00x58.00x10.00mm ACM



BE620







370

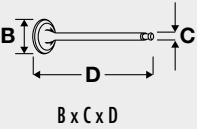



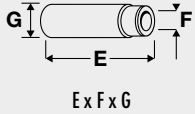
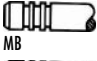
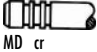
 **84.00**






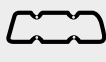


Petrol



AR 30751 4 Cyl. 1490cc 71-72kW (97-98)PS TD117 **1054**







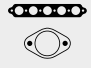
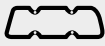





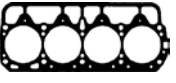
			 KIT		
TB106 98x17 →12/90 TB388 121x15 01/91→ Length: 1152.5mm Groove Distance: 9.525	TBK287 01/91→ Component No: TB338; AE1006TP;AE1007TP				








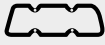







	OE				
V91629 ■ 39.80 x 8.00 x 92.00	605 40 326		45°	H	VAG96261 ■ 40.50 x 8.02 x 13.08
V91630 ■ 33.10 x 8.00 x 92.10	605 40 325		45°		








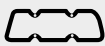

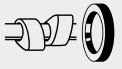



							
BE620 Fibre Composite (x2)	DE623			JD221 (x2) JA899 ■ (x4)	JN588 (x2)	HR363 ■	NA5064 35.00x58.00x10.00mm ACM




BE620

371	 84.00	Petrol					
124 B3.000	4 Cyl.	8.9:1	1585cc	46kW (63)PS	TD6898	1055	
							
BP190 Fibre Composite	DP190			 JE390 		HR569 	
							
BP190							

372	 84.00	Petrol					
131 A1.000	4 Cyl.	9.2:1	1585cc	55kW (75)PS	TD896	1056	
							
BP130 Fibre Composite	DP130			JA777  (Graphite) JA757   JE390		HR363 	NA5187 30.00x52.00x7.00mm ACM
							
BP130							

373	 84.00	Petrol					
131 B1.000	4 Cyl.	9:1	1585cc	72kW (98)PS	TD901	1058	
							
BP130 Fibre Composite	DP130			JA777  (Graphite) JA757 	JM085 (x2) JM508		NA5187 30.00x52.00x7.00mm ACM
							
BK540							

	OE	MAT.				
B x C x D			45°	ss		E x F x G
V90070 	4 359 309		45°			VAG51023B 
36.10 x 8.00 x 105.79		MD cr				47.00 x 8.04 x 15.04
V91714 	4 469 661		45°			VAG96171 
36.50 x 8.00 x 105.79		MD cr				42.00 x 8.02 x 14.06

FIAT GROUP

374

 84.00

Petrol



131 C2.000

4 Cyl.

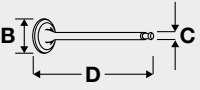
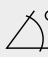

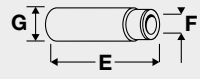








9.1:1





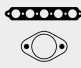
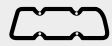



1585cc

63kW (85)PS

TD4351

1059

 B x C x D				OE	MAT.	 45°	 H	 E x F x G	
V91765  43.50 x 8.00 x 105.00				7 547 400	 MB cr	45°	H	VAG96171   42.00 x 8.02 x 14.06	
V90070  36.10 x 8.00 x 105.79				4 359 309	 MD cr	45°	ss		
V91714  36.50 x 8.00 x 105.79				4 469 661	 MD cr	45°			

							
BK540 Fibre Composite				JA777  (Graphite)	JM085 (x2) JM508		NA5187 30.00x52.00x7.00mm ACM



BK540

375

 84.00

Petrol



131 C3.000

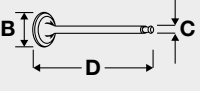
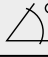

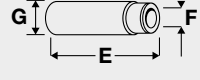





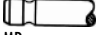
4 Cyl.





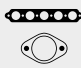
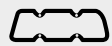

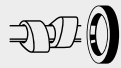



1585cc

71-72kW (96-98)PS

TD904

1060

 B x C x D				OE	MAT.	 45°	 ss	 E x F x G	
V90070  36.10 x 8.00 x 105.79				4 359 309	 MD cr	45°	ss	VAG96171   42.00 x 8.02 x 14.06	
V91714  36.50 x 8.00 x 105.79				4 469 661	 MD cr	45°			

							
BP190 Fibre Composite	DP190				JE390 	JM085 JN459	HR596 



BP190

376	84.00	Petrol			
132 C.000	4 Cyl.	9:1	1585cc	65-72kW (89-98)PS	TD909 1058
					FOL104 (x8) [6]

[6] Mechanical [6] Mécanique [6] Meccanico [6] Mecánico

B x C x D	OE	MAT.	Ex F x G
V90070	4 359 309	MD cr	VAG51023B
36.10 x 8.00 x 105.79		45° ss	47.00 x 8.04 x 15.04
V91714	4 469 661	MD cr	VAG96171
36.50 x 8.00 x 105.79		45°	42.00 x 8.02 x 14.06

BK540 Fibre Composite	DP130			JA777 (Graphite) JA757	JM085 (x2) JM508	NA5187 30.00x52.00x7.00mm ACM



BK540

377	84.00	Petrol			
132 C6.000	4 Cyl.		1585cc	66kW (90)PS	TD912 1061
134 AS.000	4 Cyl.	8.9:1	1995cc	88kW (120)PS	TD1781 1078

BK540 Fibre Composite	DP133			JA757 	JM508 JN643	NA5187 30.00x52.00x7.00mm ACM



BK540

FIAT GROUP



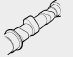




378

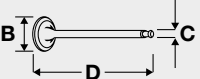
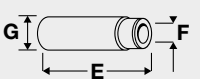

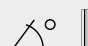
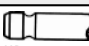
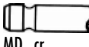




 **84.00**






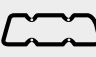





Petrol



132 D.000 4 Cyl. 9:1 1585cc **72kW (98)PS** TD911 **1058**

	 .KIT		 KIT		 
TB148 68x15 Driven unit: power-steering pump TB112 144x19 Eng.→1480467 TB200 143x19 Eng.1480468→					FOL104 (x8) [6]
[6] Mechanical		[6] Mécanique	[6] Meccanico	[6] Mecánico	

	
B x C x D	E x F x G
OE	
MAT.	
	
 MD cr	45° ss
 MD cr	45°
V90070 	VAG51023B 
36.10 x 8.00 x 105.79	47.00 x 8.04 x 15.04
V91714 	VAG96171 
36.50 x 8.00 x 105.79	42.00 x 8.02 x 14.06

							
BK540 Fibre Composite	DP130			JA777  (Graphite) JA757   JE390	JM085 (x2) JM508		NA5187 30.00x52.00x7.00mm ACM



BK540








379






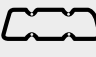





 **84.00**

Petrol



138 AR.000 4 Cyl. 9.3:1 1585cc **66-77kW (90-105)PS** TD919 **1058**

	 .KIT		 KIT		 
TB112 144x19 Eng.→1484451 TB200 143x19 Eng.1484452→4880207 TB249 138x18 Eng.4880208→					

							
BK540 Fibre Composite	DP130			JA777  (Graphite) JA757 	JM085 (x2) JM508	HR363 	



BK540

380	84.00	Petrol				
149 A2.000	4 Cyl.	9.3:1	1585cc	74kW (101)PS	TD4379	1064
	.KIT		KIT			
TB249 138x18 TB112 144x19 Eng.→1484418 TB200 143x19 Eng.1484419→						

B x C x D	OE	MAT.	45°	H	E x F x G	
V91765	7 547 400		45°	H	VAG96171	
43.50 x 8.00 x 105.00		MB cr			42.00 x 8.02 x 14.06	
V91394	5 953 041		45°	ss		
36.50 x 8.00 x 105.50		MD				

			HBS011	JA757	LB414	HR363		
			M12x1.25x119.00mm (x12)					
			HBS051					
			M10x1.25x98.00mm (x5)					

381	84.00	Petrol				
149 A4.000	4 Cyl.	9.3:1	1585cc	74kW (101)PS	TD4380	1065
	.KIT		KIT			
TB249 138x18 TB112 144x19 Eng.→1484418 TB200 143x19 Eng.1484419→						

B x C x D	OE	MAT.	45°	H	E x F x G	
V91765	7 547 400		45°	H	VAG96171	
43.50 x 8.00 x 105.00		MB cr			42.00 x 8.02 x 14.06	
V91394	5 953 041		45°	ss		
36.50 x 8.00 x 105.50		MD				

			HBS011	JA757	JN644	HR363		
			M12x1.25x119.00mm (x12)		LB414			
			HBS051					
			M10x1.25x98.00mm (x5)					

FIAT GROUP

382	84.00	Petrol				
149 C2.000	4 Cyl.	9.5:1	1585cc	66kW (90)PS	TD5432	1066
	.KIT		KIT			
TB249 138x18						
BT410 Fibre Composite	DT411 [1] DT423		HBS092 M10x1.25x115.00mm (x10)			



BT410

[1] Without crankshaft seal

[1] sans bague d'étanchéité - vilebrequin

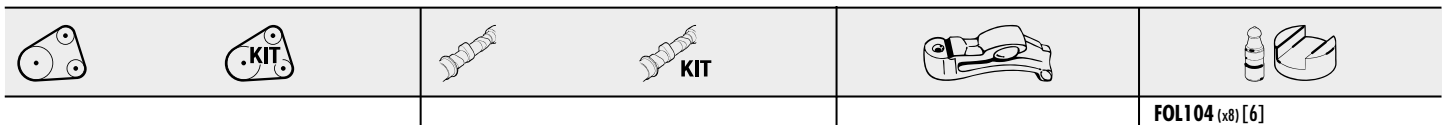
[1] senza paraolio-albero a gomiti

[1] sin cigüeñal retén

383	84.00	Petrol				
149 C3.000	4 Cyl.	9.5:1	1585cc	61-76kW (83-103)PS	TD18856	1063
	.KIT		KIT			
TB249 138x18 TB112 144x19 Eng. → 1484418 TB200 143x19 Eng. 1484419 →						
			HBS092 M10x1.25x115.00mm (x10)			

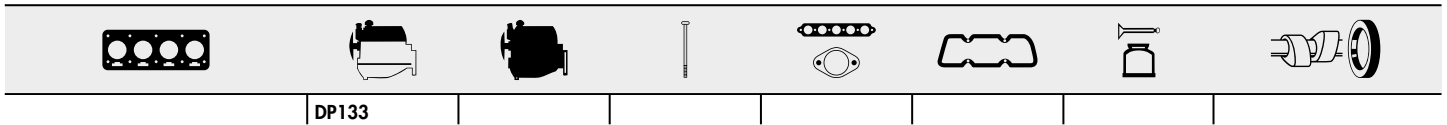
384	84.00	Petrol				
154 A.048	4 Cyl.	9.75:1	1585cc	61kW (83)PS	TD11754	1067
	.KIT		KIT			
TB246 110x18						
				JC287	HR596	NA5187 30.00x52.00x7.00mm ACM

385	84.00	Petrol				
828 B.000	4 Cyl.	9.3:1	1585cc	74kW (100)PS	TD1796	1068
828 B1.000	4 Cyl.	8.9:1	1995cc	85-88kW (116-119)PS	TD1797	1068



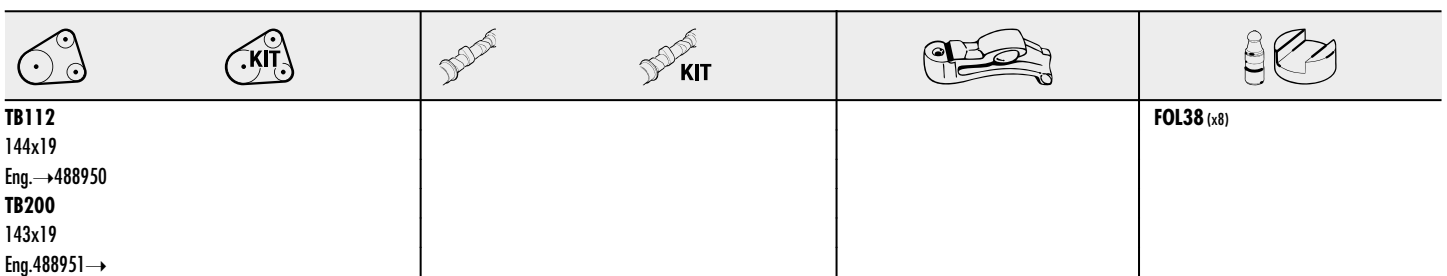
[6] Mechanical [6] Mécanique [6] Meccanico [6] Mecánico **FOL104 (x8) [6]**

	OE	MAT.			
B x C x D			45°	ss	E x F x G
V90070	4 359 309		45°	ss	VAG51023B
36.10 x 8.00 x 105.79		MD cr			47.00 x 8.04 x 15.04
V91714	4 469 661		45°		VAG96171
36.50 x 8.00 x 105.79		MD cr			42.00 x 8.02 x 14.06

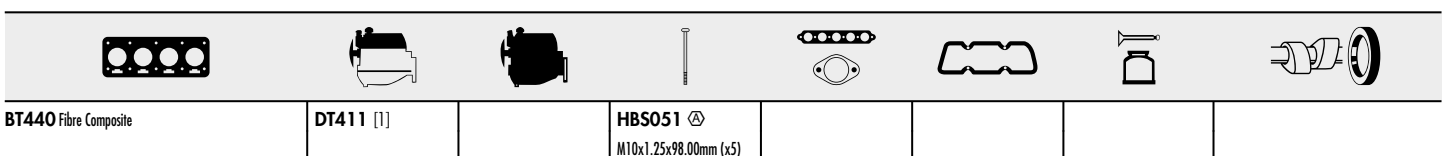


DP133

386	84.00	Petrol				
831 A4.000	4 Cyl.	9.5:1	1585cc	77kW (105)PS	TD4604	1069



	OE	MAT.			
B x C x D			45°		E x F x G
V91290	46 406 169		45°	H	VAG96171
43.50 x 8.00 x 105.70		MB			42.00 x 8.02 x 14.06
V91765	7 547 400		45°	H	
43.50 x 8.00 x 105.00		MB cr			
V90070	4 359 309		45°	ss	
36.10 x 8.00 x 105.79		MD cr			
V91394	5 953 041		45°	ss	
36.50 x 8.00 x 105.50		MD			
V91636	5 975 341		45°		
36.50 x 8.00 x 106.00		MD cr			



BT440 Fibre Composite

DT411 [1]

HBS051
M10x1.25x98.00mm (x5)



BT440

[1] Without crankshaft seal

[1] sans bague d'étanchéité - vilebrequin

[1] senza paraolio-albero a gomiti

[1] sin cigüeñal retén

FIAT GROUP

387	84.00	Petrol					
831 A7.000	4 Cyl.	8:1	1585cc	96kW (130)PS	Turbo Intercooled	TD1808	1070
TB112 144x19 Eng. → 488950 TB200 143x19 Eng. 488951 →							
			HBS092 M10x1.25x115.00mm (x10)	JD5997			

388	84.00	Petrol					
831 B3.000	4 Cyl.	8:1	1585cc	103kW (140)PS	Turbo Intercooled	TD1807	1071
TB249 138x18							
BT420 Fibre Composite							

389	84.00	Petrol					
831 B6.000	4 Cyl.	1585cc	73kW (99)PS	TD1815	1072		
TB249 138x18 → 07/90						FOL38 (x8)	

B x C x D	E x F x G
OE	MAT.
V91290 46 406 169 43.50 x 8.00 x 105.70	 45° H
V91765 7 547 400 43.50 x 8.00 x 105.00	 45° H
V90070 4 359 309 36.10 x 8.00 x 105.79	 45° ss
V91394 5 953 041 36.50 x 8.00 x 105.50	 45° ss
V91636 5 975 341 36.50 x 8.00 x 106.00	 45°
	VAG96171 42.00 x 8.02 x 14.06

390	84.00	Petrol				
831 B7.000	4 Cyl.	9.5:1	1585cc	80kW (109)PS	TD1817	1066
TB249						
138x18						

B x C x D	OE	MAT.				E x F x G
V91290	46 406 169		45°	H		VAG96171
43.50 x 8.00 x 105.70		MB				42.00 x 8.02 x 14.06
V91765	7 547 400		45°	H		
43.50 x 8.00 x 105.00		MB cr				
V90070	4 359 309		45°	ss		
36.10 x 8.00 x 105.79		MD cr				
V91394	5 953 041		45°	ss		
36.50 x 8.00 x 105.50		MD				
V91636	5 975 341		45°			
36.50 x 8.00 x 106.00		MD cr				

DT411 [1]		HBS051	JC662	JN643 (x2)	HR363		
DT423		M10x1.25x98.00mm (x5)	JA757	JN645			
[1] Without crankshaft seal	[1] sans bague d'étanchéité - vilebrequin		[1] senza paraolio-albero a gomiti		[1] sin cigüeñal retén		

391	84.00	Petrol					
831 B7.046	4 Cyl.	9.5:1	1585cc	97kW (132)PS	Turbo Intercooled	TD4606	1073

TB249						FOL38 (x8)
138x18						

B x C x D	OE	MAT.				E x F x G
V91290	46 406 169		45°	H		VAG96171
43.50 x 8.00 x 105.70		MB				42.00 x 8.02 x 14.06
V91765	7 547 400		45°	H		
43.50 x 8.00 x 105.00		MB cr				
V90070	4 359 309		45°	ss		
36.10 x 8.00 x 105.79		MD cr				
V91394	5 953 041		45°	ss		
36.50 x 8.00 x 105.50		MD				
V91636	5 975 341		45°			
36.50 x 8.00 x 106.00		MD cr				

DT411 [1]		HBS051				
		M10x1.25x98.00mm (x5)				
[1] Without crankshaft seal	[1] sans bague d'étanchéité - vilebrequin		[1] senza paraolio-albero a gomiti		[1] sin cigüeñal retén	

FIAT GROUP

392	84.00	Petrol				
149 C2.046	4 Cyl.	9.5:1	1595cc	66kW (90)PS	TD978	1063
TB249 138x18 →10/90						

BT420 Fibre Composite	DT423		HBS092 M10x1.25x115.00mm (x10)				



BT420

393	84.00	Petrol				
AR 33201	4 Cyl.	9.5:1	1596cc	76kW (103)PS	TD121	1074
TB338 100x17	TBK287 Component No: TB338; AE1006TP;AE1007TP					

V91629 39.80 x 8.00 x 92.00	605 40 326		45°	H	VAG96261 40.50 x 8.02 x 13.08	
V91630 33.10 x 8.00 x 92.10	605 40 325		45°			

BE620 Fibre Composite (x2)	DE623			JD221 (x2) JA899 (x4)	JN588 (x2)	HR363	NA5064 35.00x58.00x10.00mm ACM



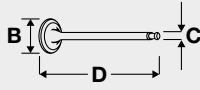

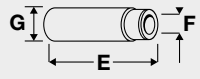

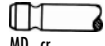



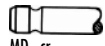












BE620

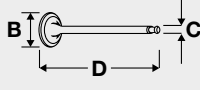

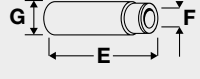


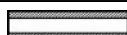





394	84.00	Petrol					
132 AC1.000	4 Cyl.	9.8:1	1756cc	87kW (118)PS	TD23121	1076	
BP130 Fibre Composite	DP130						NA5187 (x2) 30.00x52.00x7.00mm ACM






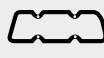

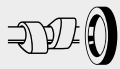
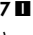
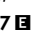



BP130

395	 84.00	Petrol				
132 B.000	4 Cyl.	8.9:1	1756cc	79kW (107)PS	TD18854	1077
	B x C x D	OE	MAT.			E x F x G
V90070 	4 359 309		45°	ss	VAG51023B 	
36.10 x 8.00 x 105.79		MD cr			47.00 x 8.04 x 15.04	
V91714 	4 469 661		45°		VAG96171 	
36.50 x 8.00 x 105.79		MD cr			42.00 x 8.02 x 14.06	








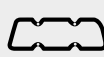


396	 84.00	Petrol				
132 B1.000	4 Cyl.	8.9:1	1756cc	77-82kW (105-112)PS	TD906	1079
						FOL104 (x8) [6]
[6] Mechanical	[6] Mécanique	[6] Meccanico	[6] Mecánico			

	B x C x D	OE	MAT.			E x F x G
V90070 	4 359 309		45°	ss	VAG51023B 	
36.10 x 8.00 x 105.79		MD cr			47.00 x 8.04 x 15.04	
V91714 	4 469 661		45°		VAG96171 	
36.50 x 8.00 x 105.79		MD cr			42.00 x 8.02 x 14.06	

							
BP130 Fibre Composite	DP130			JA777  (Graphite) JA757 	JM085 (x2) JM508	HR596 	



BP130

397	 84.00	Petrol					
132 C1.000	4 Cyl.	8.9:1	1756cc	77-82kW (105-112)PS	TD19054	1075	
							
					JM085		

398

 **84.00**

Petrol



159 A4.000

4 Cyl.







9.5:1

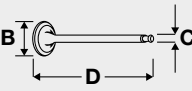

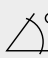


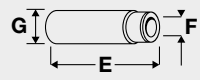



1756cc





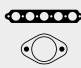
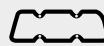

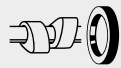
74-81kW (101-110)PS

TD1008

1080

					
TB579 97x15 Driven unit: balance shaft	TBK118 Eng.→1066635 Component No: TB303; AE1012TP				
TB303 142x18 Eng.→1066635					
TB299 139x18 Eng.1066636→					

						
B x C x D	OE	MAT.				E x F x G
V91290 ■■ 43.50 x 8.00 x 105.70	46 406 169	 MB	45°		H	VAG96171 ■■ ■■ 42.00 x 8.02 x 14.06
V91765 ■■ 43.50 x 8.00 x 105.00	7 547 400	 MB cr	45°		H	
V91305 ■■ 36.50 x 8.00 x 106.00	7 597 080	 MD cr	45°			

							
BT440 Fibre Composite	DT446	GT446 [1]	HBS092 ☒ M10x1.25x115.00mm (x10)	JC662 ■■ JD019 ■■ 01/92→	JN643 (x2) JN948 JN819 (x2) 01/92→	HR363 ■■	NA5187 30.00x52.00x7.00mm ACM











BT440
[1] Without crankshaft seal

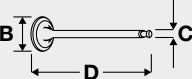




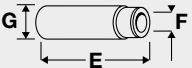



[1] sans bague d'étanchéité - vilebrequin






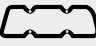


[1] senza paraolio-albero a gomiti

[1] sin cigüeñal retén

399	 84.00	Petrol			
159 A4.046	4 Cyl.	9.5:1	1756cc	77kW (105)PS	TD1009 1080

			 KIT		
TB299 139x18 →12/92	TBK118 01/93→ Component No: TB303; AE1012TP				
TB303 142x18 01/93→					
TB579 97x15 01/93→					
Driven unit: balance shaft					

						
B x C x D	OE	MAT.				E x F x G
V91290 ■ 43.50 x 8.00 x 105.70	46 406 169	 MB	45°		H	VAG96171 ■ ■ ■ 42.00 x 8.02 x 14.06
V91765 ■ 43.50 x 8.00 x 105.00	7 547 400	 MB cr	45°		H	
V91305 ■ 36.50 x 8.00 x 106.00	7 597 080	 MD cr	45°			

							
BT440 Fibre Composite	DT440 DT446	GT440	HBS092 ⊗ M10x1.25x115.00mm (x10)	JC662 ■ JA757 ■	JN948	HR363 ■	NA5187 30.00x52.00x7.00mm ACM



BT440

FIAT GROUP

400	84.00	Petrol					
160 A5.000	4 Cyl.	9.9:1	1756cc	100kW (136)PS		TD13669	1081
TB298 168x18 04/90 →							
TB579 97x15 04/90 →							
Driven unit: balance shaft							

B x C x D	OE	MAT.	45°			E x F x G	
V91935 ■	7 722 907		45°			VAG92496 ■ ■ ■	
34.40 x 7.00 x 128.00		MD cr				51.00 x 7.03 x 14.04	
V91638 ■	7 958 073		45°	ss		VAG96199 ■ ■ ■	
28.50 x 7.00 x 126.00		MD cr				51.30 x 7.04 x 14.08	

BT440 Fibre Composite	DT441		HBS093 ☒	JD153 ■	JN928	HR599 ■	NA5053
			M10x1.25x172.00mm (x10)	JD151			30.00x42.00x7.00mm FPM
				JD5997 ■			



BT440

401	84.00	Petrol					
835 A2.000	4 Cyl.	9.5:1	1756cc	80kW (108)PS		TD1845	1083
TB303 142x18	TBK118 Component No: TB303; AE1012TP						
TB579 97x15							
Driven unit: balance shaft							
B x C x D	OE	MAT.	45°			E x F x G	
V91290 ■	46 406 169		45°	H		VAG96171 ■ ■ ■	
43.50 x 8.00 x 105.70		MB				42.00 x 8.02 x 14.06	
V91305 ■	7 597 080		45°				
36.50 x 8.00 x 106.00		MD cr					
	DT410						

402



84.00

Petrol



835 A2.046

4 Cyl.

9.5:1

1756cc

74-77kW (101-105)PS

TD1844

1084

TB303 142x18 →06/94 TB579 97x15 Driven unit: balance shaft	TBK118 →06/94 Component No: TB303; AE1012TP				

 B x C x D	OE	 MAT.	 45°	 H	 E x F x G
V91290 ■ 43.50 x 8.00 x 105.70	46 406 169	 MB	45°		VAG96171 ■ ■ 42.00 x 8.02 x 14.06
V91305 ■ 36.50 x 8.00 x 106.00	7 597 080	 MD cr	45°		

BT410 Fibre Composite BT420 Fibre Composite	DT410	GT410	HBS092 Ⓢ M10x1.25x115.00mm (x10)	JC662 ■ JA757 ■	JN643 (x2) JN948	HR363 ■	

BT410	BT420

403

 **84.00**

Petrol



835 C2.000

4 Cyl.







9.5:1

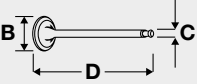

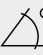

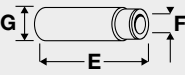

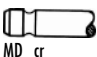

1756cc






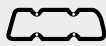

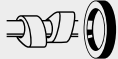
76kW (103)PS

TD1068

1085

					
TB303 142x18 Eng.→1066635 TB299 139x18 Eng.1066636→	TBK118 Eng.→1066635 Component No: TB303; AE1012TP				

	OE				
V91290 ■ 43.50 x 8.00 x 105.70	46 406 169		45°	H	VAG96171 ■ ■ ■ 42.00 x 8.02 x 14.06
V91638 ■ 28.50 x 7.00 x 126.00	7 958 073		45° ss		

							
BT440 Fibre Composite	DT446 DT449		HBS092 ☒ M10x1.25x115.00mm (x10) HBS033 ☒ M12x1.75x136.00mm (x10) 07/92→	JC662 ■ JD019 ■	JN948	HR363 ■	NA5187 (x2) 30.00x52.00x7.00mm ACM



BT440

404	84.00	Petrol				
835 C2.000	4 Cyl.	9.5:1	1756cc	76kW (103)PS	TD4612	1083
TB303 142x18 11/93→ TB579 97x15 11/93→ Driven unit: balance shaft	TBK118 11/93→ Component No: TB303; AE1012TP					

B x C x D	E x F x G
OE	
V91290	VAG96171
46 406 169	42.00 x 8.02 x 14.06
V91305	
7 597 080	
36.50 x 8.00 x 106.00	

BT440 Fibre Composite	DT449		HBS092	JC662		



BT440

405	84.00	Petrol				
835 C4.000	4 Cyl.	9.5:1	1756cc	66kW (90)PS	TD5433	1084
836 C4.000	4 Cyl.		1756cc	66kW (90)PS	TD5434	1084
TB303 142x18	TBK118 Component No: TB303; AE1012TP				FOL38 (x8)	
B x C x D	E x F x G					
OE						
V91290	VAG96171					
46 406 169	42.00 x 8.02 x 14.06					
V91305						
7 597 080						
36.50 x 8.00 x 106.00						
BR620 Fibre Composite				JA757		



BR620

FIAT GROUP

406	84.00	Petrol						
835 C4.000	4 Cyl.	1756cc	66kW (90)PS				TD1069	1086

TB303 142x18	TBK118 Component No: TB303; AE1012TP							

V91290 ■ 43.50 x 8.00 x 105.70	V91638 ■ 28.50 x 7.00 x 126.00	VAG96171 ■ ■ ■ 42.00 x 8.02 x 14.06			
B x C x D	OE	MAT.	45°	H	E x F x G
	46 406 169	MB	45°	ss	
	7 958 073	MD cr			

BT420 Fibre Composite	DT410	HB5092 ☼ M10x1.25x115.00mm (x10)	JA757 ■	HR363 ■



BT420



407	84.00	Petrol						
835 C5.000	4 Cyl.	9.5:1	1756cc	66kW (90)PS			TD1847	1087

TB303 142x18 →06/94	TBK118 →06/94 Component No: TB303; AE1012TP							
TB579 97x15 Driven unit: balance shaft								

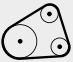





BT410 Fibre Composite	GT423	JA757 ■

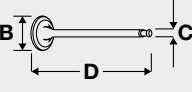

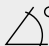

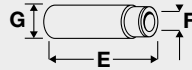
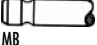
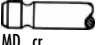







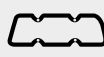

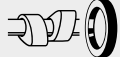


BT410



408  **84.00** **Petrol** 

836 A5.000 4 Cyl. 10:1 1756cc 74kW (101)PS TD4615 1084



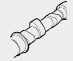



					
TB303 142x18 TB579 97x15 Driven unit: balance shaft	TBK118 Component No: TB303; AE1012TP				FOL38 (x8)

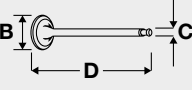

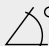

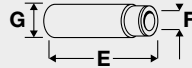

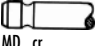
	OE				
V91290 ■ 43.50 x 8.00 x 105.70	46 406 169		45°	H	VAG96171 ■ ■ ■ 42.00 x 8.02 x 14.06
V91305 ■ 36.50 x 8.00 x 106.00	7 597 080		45°		






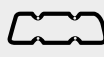

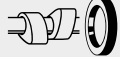

							
BT440 Fibre Composite AY500 Fibre Composite, 1.85mm	DT449		HBS092 ⊗ M10x1.25x115.00mm (x10)				
							
AY500	BT440						

409  **84.00** **Petrol** 









836 A5.000 4 Cyl. 1756cc 71-74kW (97-101)PS TD892 1089

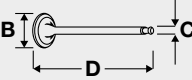



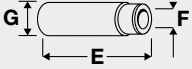

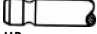

					
TB303 142x18 Eng.→1066635 TB299 139x18 Eng.1066636→	TBK118 Eng.→1066635 Component No: TB303; AE1012TP				










	OE				
V91290 ■ 43.50 x 8.00 x 105.70	46 406 169		45°	H	VAG96171 ■ ■ ■ 42.00 x 8.02 x 14.06
V91638 ■ 28.50 x 7.00 x 126.00	7 958 073		45°	ss	

							
BT440 Fibre Composite	DT449		HBS092 ⊗ M10x1.25x115.00mm (x10)	JC662 ■ JD019 ■	JN948	HR363 ■	NA5187 (x2) 30.00x52.00x7.00mm ACM
							
BT440							



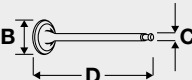



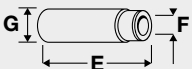



FIAT GROUP

410	 84.00	Petrol			
836 A6.000	4 Cyl.	9.6:1	1756cc	66kW (90)PS	TD11918 1090
					
TB303 142x18	TBK118 Component No: TB303; AE1012TP		KIT		FOL38 (x8)

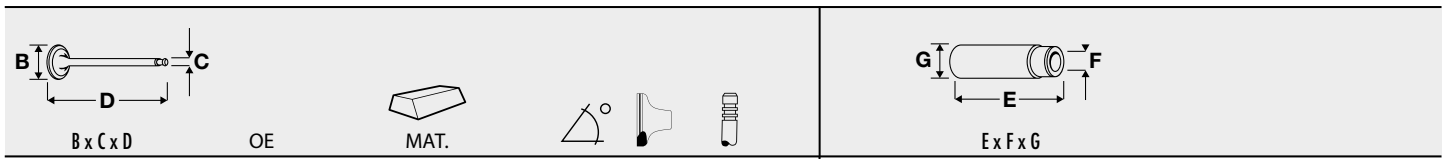
					
B x C x D	OE	MAT.	45°	H	E x F x G
V91290 ■	46 406 169		45°		VAG96171 ■ ■ ■
43.50 x 8.00 x 105.70		MB			42.00 x 8.02 x 14.06
V91305 ■	7 597 080		45°		
36.50 x 8.00 x 106.00		MD cr			

							
BR620 Fibre Composite			HB5092 ☉	JA757 ■			NA5187
			M10x1.25x115.00mm (x10)				30.00x52.00x7.00mm ACM
							

BR620

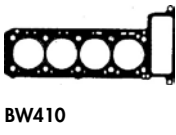
411	 84.00	Petrol			
836 A6.000	4 Cyl.	9.6:1	1756cc	66kW (90)PS	TD18890 1091
					
B x C x D	OE	MAT.	45°	H	E x F x G
V91290 ■	46 406 169		45°		VAG96171 ■ ■ ■
43.50 x 8.00 x 105.70		MB			42.00 x 8.02 x 14.06
V91638 ■	7 958 073		45°	ss	
28.50 x 7.00 x 126.00		MD cr			

412	84.00	Petrol			
AR 64103	4 Cyl.	1995cc	106kW (144)PS	TD129	1151
AR 67101	4 Cyl.	1773cc	93-95kW (126-129)PS	TD133	1093
AR 67102	4 Cyl. 10:1	1773cc	93kW (127)PS	TD5311	1093
AR 67402	4 Cyl.	1756cc	77kW (105)PS	TD5071	1092



V91308 ■ 44.00 x 8.00 x 116.00	OE 605 64 098	MAT. MD cr	45°	VAG96260B ■ 48.00 x 8.00 x 15.07	
				VAG96268 ■ 45.00 x 8.00 x 15.07	

BW410 Fibre Composite	DW410	GW410		JD235 ■ JD015 ■ (x4)	JN940	HR363 ■	



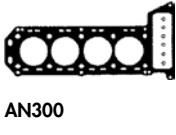
413	84.00	Petrol				
169 B	4 Cyl.	7.5:1	1796cc	49kW (67)PS	TD12750	1094

	DM710 ○						








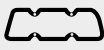



414	84.00	Petrol				
AR 00512	4 Cyl.	9:1	1962cc	96kW (131)PS	TD75	1097








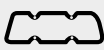

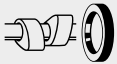

TB192 119x19 Length: 1133.5mm Groove Distance: 9.525	.KIT	KIT			








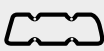



AN300 Fibre Composite	CN306 DC373 ▲			JA840 ■ JA829 ■		








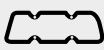











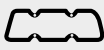



FIAT GROUP



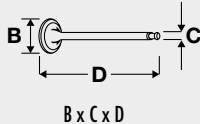

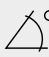
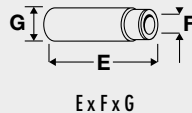






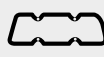

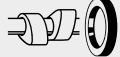



415	 84.00	Petrol					
AR 00515	4 Cyl.	1962cc	92-93kW (125-126)PS	TD21	1098		
							
AN300 Fibre Composite	CN306			JC497 ■ JA829 ■			
							
AN300							






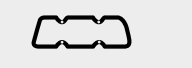






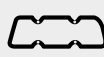

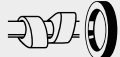


416	 84.00	Petrol					
AR 01544	4 Cyl.	1962cc	85kW (116)PS	TD28	1100		
							
AN300 Fibre Composite				JD018 ■ JA829 ■ (x4)	JN806 (MVQ) KV102		
							
AN300							



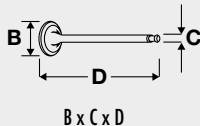

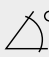
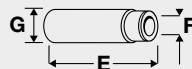

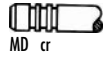







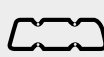

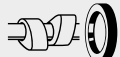

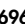


417	 84.00	Petrol					
AR 01588	4 Cyl.	1962cc	88kW (120)PS	TD30	1101		
							
AA5520 1.850mm	CN306 DT350			JE696	JN812	HR363 ■	
							
AA5520							

418	 84.00	Petrol					
AR 01590	4 Cyl.	1962cc	93kW (126)PS	TD31	1098		
							
	CN306			JA829 ■			

419	 84.00	Petrol					
AR 01623	4 Cyl.	1962cc	89-90kW (121-122)PS	TD34	1102		
							
AN300 Fibre Composite				JA840 ■ JA829 ■			
							
AN300							

420	 84.00	Petrol					
AR 01655	4 Cyl.	1962cc	96kW (131)PS	TD37	1103		
	OE	 MAT.					
				VAG92168B 			
				51.00 x 9.00 x 14.05			
							
AN300 Fibre Composite	CN306			JA840  JA829 			
							
AN300							

421	 84.00	Petrol					
AR 01713	4 Cyl.	1962cc	94-97kW (128-132)PS	TD41	1098		
AR 06212	4 Cyl.	9.1:1	1962cc	94-96kW (128-131)PS	TD57	1103	
	OE	 MAT.					
				VAG92168B 			
				51.00 x 9.00 x 14.05			
							
AN300 Fibre Composite	CN306			JA829 			
							
AN300							

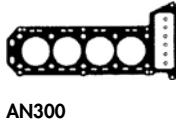
422	 84.00	Petrol					
AR 06166	4 Cyl.	10:1	1962cc	107kW (146)PS	TD53	1105	
AR 06224	4 Cyl.		1962cc	107-109kW (146-148)PS	TD58	1106	
AR 06416	4 Cyl.		1995cc	102-105kW (138-143)PS	TD62	1149	
AR 06420	4 Cyl.		1995cc	109kW (148)PS	TD63	1149	
	OE	 MAT.					
V91308 	605 64 098		45°	VAG96260B 			
44.00 x 8.00 x 116.00				48.00 x 8.00 x 15.07			
				VAG96268 			
				45.00 x 8.00 x 15.07			
							
AA5520 1.850mm	DT350	GT350		JD015  JE696 	JN812	HR363 	
							
AA5520							

FIAT GROUP

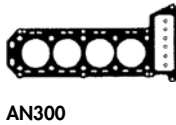
423	84.00	Petrol				
AR 10512	4 Cyl.	10:1	1962cc	96kW (131)PS	TD5351	1107
	OE					
V94732 ■ 44.10 x 9.00 x 104.90	105120330001		30°	H	VAG92168B ■ 51.00 x 9.00 x 14.05	
					VAG96216B ■ 54.00 x 9.01 x 14.05	

424	84.00	Petrol				
AR 10520	4 Cyl.	1962cc	97kW (132)PS	TD10270	1108	
TB192 119x19 →12/77 Length: 1133.5mm Groove Distance: 9.525						



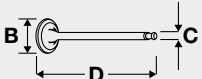
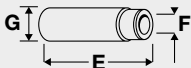




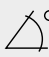






AN300 Fibre Composite				JA840 ■ JA829 ■			






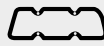

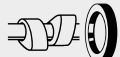


425	84.00	Petrol					
AR 10527	4 Cyl.	1962cc	96kW (131)PS	TD10127	1098		
AR 11671	4 Cyl.	10:1	1962cc	96kW (131)PS	TD70	1102	
AN300 Fibre Composite	CN306			JA840 ■ JA829 ■			






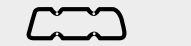



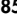


426	84.00	Petrol					
AR 11642	4 Cyl.	1962cc	111kW (151)PS	TD69	1104		
				JA840 ■			

427  84.00 Petrol 	
131 B2.000	4 Cyl. 8.9:1 1995cc 85-103kW (115-140)PS TD900 1109
 <p>B x C x D</p>	 <p>E x F x G</p>
<p>OE</p> <p>V91765  7 547 400</p> <p>43.50 x 8.00 x 105.00</p> <p>V91394  5 953 041</p> <p>36.50 x 8.00 x 105.50</p> <p>V91636  5 975 341</p> <p>36.50 x 8.00 x 106.00</p>	<p>MAT.</p> <p></p> <p>45°    H</p> <p>45° ss</p> <p>45°</p> <p>MD cr</p> <p>MD cr</p>
<p>VAG96171     E</p> <p>42.00 x 8.02 x 14.06</p>	

							
BK540 Fibre Composite	DP130 DP133				JM085		NA5187 30.00x52.00x7.00mm ACM



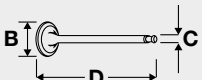
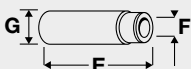













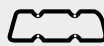


BK540

428  84.00 Petrol 	
131 C4.000	4 Cyl. 9:1 1995cc 83-85kW (113-116)PS TD4350 1110
 <p>B x C x D</p>	 <p>E x F x G</p>
<p>OE</p> <p>V90070  4 359 309</p> <p>36.10 x 8.00 x 105.79</p> <p>V91714  4 469 661</p> <p>36.50 x 8.00 x 105.79</p>	<p>MAT.</p> <p>45° ss</p> <p>45°</p> <p>MD cr</p> <p>MD cr</p>
<p>VAG96171     E</p> <p>42.00 x 8.02 x 14.06</p>	



BK540

429  84.00 Petrol 	
132 AZ2.000	4 Cyl. 1995cc 51kW (69)PS TD13028 1061
 <p>B x C x D</p>	 <p>E x F x G</p>
<p>OE</p> <p>V90070  4 359 309</p> <p>36.10 x 8.00 x 105.79</p> <p>V91714  4 469 661</p> <p>36.50 x 8.00 x 105.79</p>	<p>MAT.</p> <p>45° ss</p> <p>45°</p> <p>MD cr</p> <p>MD cr</p>
<p>VAG96171     E</p> <p>42.00 x 8.02 x 14.06</p>	

							
BP190 Fibre Composite							



BP190

FIAT GROUP

430	84.00	Petrol				
132 C2.000	4 Cyl.	8.9:1	1995cc	82-84kW (112-115)PS	TD910	1112
132 D1.000	4 Cyl.	9:1	1995cc	83kW (113)PS	TD4354	1112
TB122 148x19 02/81→ TB148 68x15 02/81→ Driven unit: power-steering pump						

B x C x D	E x F x G
V91765	VAG96171
7 547 400	42.00 x 8.02 x 14.06
43.50 x 8.00 x 105.00	
V91394	
5 953 041	
36.50 x 8.00 x 105.50	
V91636	
5 975 341	
36.50 x 8.00 x 106.00	

	DP130					JM085	

431	84.00	Petrol				
132 C3.000	4 Cyl.	9:1	1995cc	88-90kW (120-122)PS	TD4353	1112
TB122 148x19 TB148 68x15 Driven unit: power-steering pump						

BK540 Fibre Composite	DP133					JM085	



BK540

432	84.00	Petrol				
132 C3.031	4 Cyl.	9:1	1995cc	76-77kW (103-105)PS	TD908	1113
					JM085	HR300

433



84.00

Petrol



138 AR1.000	4 Cyl.	1995cc	92kW (125)PS	TD4360	1111
138 AR2.000	4 Cyl.	1995cc	96kW (130)PS	TD4361	1111

TB122 148x19					

	OE	MAT.			
B x C x D					E x F x G
V91290	46 406 169		45°	H	VAG96171
43.50 x 8.00 x 105.70		MB			
V91765	7 547 400		45°	H	
43.50 x 8.00 x 105.00		MB cr			
V90070	4 359 309		45°	ss	
36.10 x 8.00 x 105.79		MD cr			
V91394	5 953 041		45°	ss	
36.50 x 8.00 x 105.50		MD			
V91636	5 975 341		45°		
36.50 x 8.00 x 106.00		MD cr			

					JM085			

434

84.00

Petrol



154 A1.000

4 Cyl.

8:1

1995cc

66kW (90)PS

Turbocharged

TD1077

1114



KIT



TB303

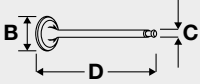
142x18

08/86 →

TB579

97x15

Driven unit: balance shaft



B x C x D

OE



MAT.

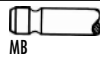


45°

H

V91290 ■
43.50 x 8.00 x 105.70

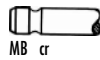
46 406 169



MB

V91765 ■
43.50 x 8.00 x 105.00

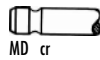
7 547 400



MB cr

V90070 ■
36.10 x 8.00 x 105.79

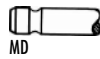
4 359 309



MD cr

V91394 ■
36.50 x 8.00 x 105.50

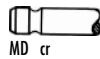
5 953 041



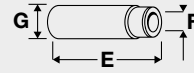
MD

V91636 ■
36.50 x 8.00 x 106.00

5 975 341

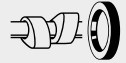
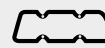


MD cr



E x F x G

VAG96171 ■ ■ ■
42.00 x 8.02 x 14.06



BT510 Fibre Composite ■

DP688

HBS092 ⊗

JA757 ■

JN643

HR596 ■

NA5187 (x2)

BT520 Fibre Composite ■

M10x1.25x115.00mm (x10)

LB414 ■









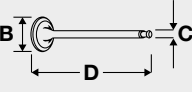
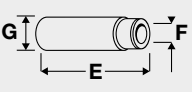

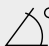





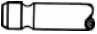







30.00x52.00x7.00mm ACM

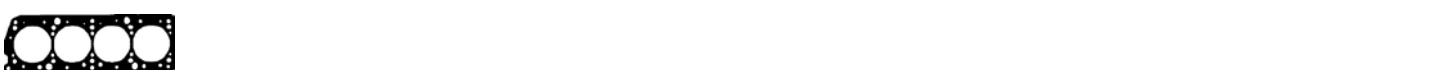


BT510











BT520

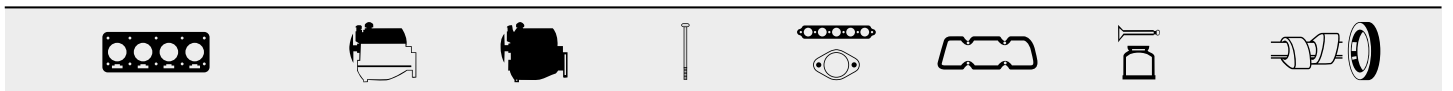
435  84.00 Petrol 					
154 A2.000	4 Cyl. 8:1 1995cc 114kW (155)PS Turbo Intercooled TD1083 1115				
 	 				
TB303 142x18 TB579 97x15 Driven unit: balance shaft					
					
B x C x D	OE	MAT.			
V91290 	46 406 169		45°		H
43.50 x 8.00 x 105.70		MB			
V91765 	7 547 400		45°		H
43.50 x 8.00 x 105.00		MB cr			
V90070 	4 359 309		45°	ss	
36.10 x 8.00 x 105.79		MD cr			
V91394 	5 953 041		45°	ss	
36.50 x 8.00 x 105.50		MD			
V91636 	5 975 341		45°		
36.50 x 8.00 x 106.00		MD cr			
					VAG96171 
					42.00 x 8.02 x 14.06






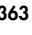


BT420 Fibre Composite	DT420 →Eng.1239615		HBS092  M10x1.25x115.00mm (x10)	JC662  JD019  01/92→	JN643 (x2)	HR569 	
------------------------------	------------------------------	--	--	--	-------------------	--	--

436  84.00 Petrol 	
154 C3.000	4 Cyl. 9.75:1 1995cc 88kW (120)PS TD18822 1116

 	 		
TB303 142x18 TB579 97x15 Driven unit: balance shaft			



BT410 Fibre Composite	DT410	 GT410	HBS092  M10x1.25x115.00mm (x10)	JC662  JA757 	JN643 (x2) LB414 	HR363 	
------------------------------	--------------	--	--	--	---	--	--



BT410 **BT420**

437



84.00

Petrol



154 C3.046

4 Cyl.

9.75:1

1995cc

85kW (116)PS

TD984

1117



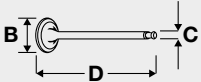
TB303

142x18

TB579

97x15

Driven unit: balance shaft



B x C x D

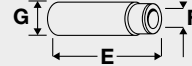
OE



MAT.



H



E x F x G

V91765 ■

7 547 400



MB cr

45°

43.50 x 8.00 x 105.00

V91394 ■

5 953 041



MD

45°

ss

36.50 x 8.00 x 105.50

V91636 ■

5 975 341



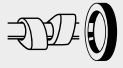
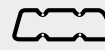
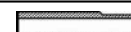
MD cr

45°

36.50 x 8.00 x 106.00

VAG96171 ■ ■ ■

42.00 x 8.02 x 14.06



BT420 Fibre Composite

DT420

→Eng.1033481

GT440

HBS092 ☉

M10x1.25x115.00mm (x10)

JC662 ■

JA757 ■

JN643 (x2)

HR569 ■

NA5187 (x2)

30.00x52.00x7.00mm ACM



BT420

438

 **84.00**

Petrol



154 C4.046

4 Cyl.

8:1

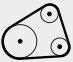





1995cc

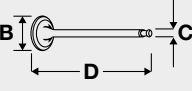
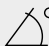

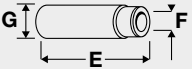

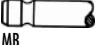


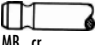

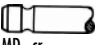




110kW (150)PS






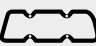

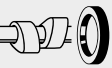





Turbo Intercooled

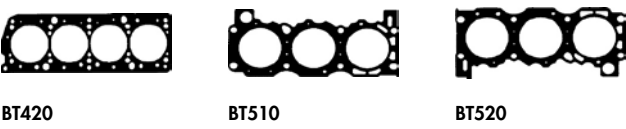
TD986

1119

					
TB303 142x18	TB579 97x15		KIT		
Driven unit: balance shaft					

	OE	MAT.			
B x C x D					E x F x G
V91290 	46 406 169		45°	H	VAG96171  42.00 x 8.02 x 14.06
43.50 x 8.00 x 105.70		MB			
V91765 	7 547 400		45°	H	
43.50 x 8.00 x 105.00		MB cr			
V90070 	4 359 309		45°	ss	
36.10 x 8.00 x 105.79		MD cr			
V91394 	5 953 041		45°	ss	
36.50 x 8.00 x 105.50		MD			
V91636 	5 975 341		45°		
36.50 x 8.00 x 106.00		MD cr			

							
BT420 Fibre Composite	DT420 →Eng.1033481	DT413 Eng.1033482→	HBS092  M10x1.25x115.00mm (x10)	JC662  JA757 	JN643 (x2) LB414 	HR569 	NA5187 (x2) 30.00x52.00x7.00mm ACM



BT420

BT510

BT520

FIAT GROUP

439

 **84.00**

Petrol



154 E1.000

4 Cyl.

1995cc

101kW (137)PS

TD989

1121



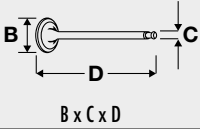
TB474

173x18

TB579

97x15

Driven unit: balance shaft



OE

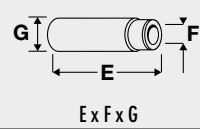



MAT.



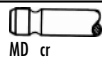
45°

ss




V91935 
 34.40 x 7.00 x 128.00

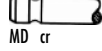
7 722 907





MD cr



V91638 
 28.50 x 7.00 x 126.00



7 958 073

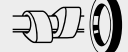
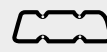


MD cr

VAG92496  
 51.00 x 7.03 x 14.04

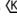
VAG96181B  
 51.30 x 7.04 x 14.05

VAG96199  
 51.30 x 7.04 x 14.08



BT440 Fibre Composite

DT441

HBS093 
 M10x1.25x172.00mm (x10)

JD153 
 JD151

JN928

HR599 

NA5053

30.00x42.00x7.00mm FPM



BT440

440

 **84.00**

Petrol



159 A5.046

4 Cyl.

9.5:1

1995cc

80-85kW (109-116)PS

TD1011

1122

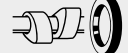
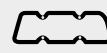


TB303

142x18

TBK118

Component No: TB303;
AE1012TP



BT440 Fibre Composite

DT440
DT446

HBS093 
 M10x1.25x172.00mm (x10)

HR569 

NA5187 (x2)

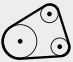

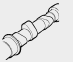



30.00x52.00x7.00mm ACM

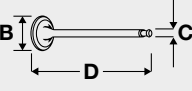

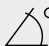


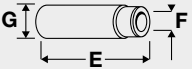
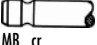


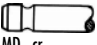







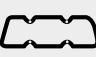

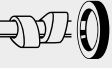


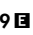

BT440

441  **84.00** **Petrol** 

159 A6.046 4 Cyl. 9.5:1 1995cc 83-85kW (113-116)PS TD1012 1123

					
TB303 142x18 TB579 97x15 Driven unit: balance shaft	TBK118 Component No: TB303; AE1012TP				

	OE					
V91765 	7 547 400		45°		H	VAG96171 
43.50 x 8.00 x 105.00						42.00 x 8.02 x 14.06
V91394 	5 953 041		45°	ss		
36.50 x 8.00 x 105.50						
V91636 	5 975 341		45°			
36.50 x 8.00 x 106.00						



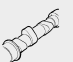



							
BT440 Fibre Composite	DT446 DT449		HBS093  M10x1.25x172.00mm (x10)	JC662  JD019 		HR363 	NA5187 30.00x52.00x7.00mm ACM






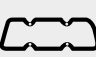

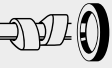


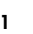



BT440

442  **84.00** **Petrol** 

160 A8.046 4 Cyl. 1995cc 107kW (146)PS TD1024 1124

					
TB474 173x18					

							
BT410 Fibre Composite	DT411 [1]		HBS093  M10x1.25x172.00mm (x10)	JD153  JD151 	JN928	HR599 	NA5053 30.00x42.00x7.00mm FPM



BT410

[1] Without crankshaft seal

[1] sans bague d'étanchéité - vilebrequin

[1] senza paraolio-albero a gomiti

[1] sin cigüeñal retén

FIAT GROUP

443



84.00

Petrol



175 A1.000

4 Cyl.

8:1

1995cc

140kW (190)PS

Turbo Intercooled

TD4395

1125



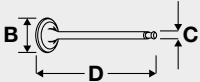
TB474

173x18

TB579

97x15

Driven unit: balance shaft

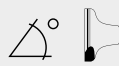


B x C x D

OE



MAT.



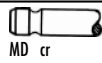
45°



E x F x G

V91935 ■ ■
34.40 x 7.00 x 128.00

7 722 907

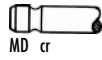


MD cr

45°

V91936 ■ ■
28.35 x 7.00 x 125.50

7 650 916



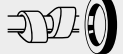
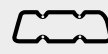
MD cr

45°

VAG92496 ■ ■ ■ ■
51.00 x 7.03 x 14.04

VAG96181B ■ ■ ■ ■
51.30 x 7.04 x 14.05

VAG96199 ■ ■ ■ ■
51.30 x 7.04 x 14.08



BT440 Fibre Composite

DT447

GT447

HBS093 ☒
M10x1.25x172.00mm (x10)

JD151
JD152 ■

JN928

HR599 ■

NA5053
30.00x42.00x7.00mm FPM



BT440

444



84.00

Petrol



175 A4.000

4 Cyl.

8:1

1995cc

142kW (193)PS

Turbocharged

TD11827

1126



TB474

173x18

TB579

97x15

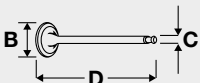
Driven unit: balance shaft

FOL106 (x16)

Height: 24mm

FOL145 (x16)

Height: 26mm

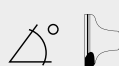


B x C x D

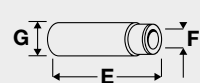
OE



MAT.



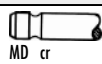
45°



E x F x G

V91935 ■ ■
34.40 x 7.00 x 128.00

7 722 907

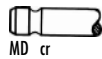


MD cr

45°

V91936 ■ ■
28.35 x 7.00 x 125.50

7 650 916



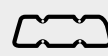
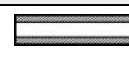
MD cr

45°

VAG92496 ■ ■ ■ ■
51.00 x 7.03 x 14.04

VAG96181B ■ ■ ■ ■
51.30 x 7.04 x 14.05



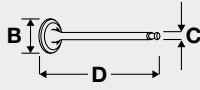
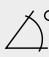


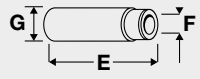












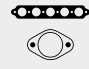
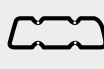


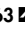
VAG96199 ■ ■ ■ ■
51.30 x 7.04 x 14.08








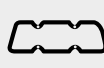

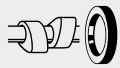



HBS093 ☒
M10x1.25x172.00mm (x10)

HR599 ■

NA5053
30.00x42.00x7.00mm FPM

445		 84.00	Petrol					
828 B4.000	4 Cyl.	8.9:1	1995cc	90kW (122)PS	TD4602	1127		
 B x C x D	OE	MAT.	  	 E x F x G				
V90070  4 359 309 36.10 x 8.00 x 105.79		 MD cr	45° ss	VAG51023B  47.00 x 8.04 x 15.04				
V91714  4 469 661 36.50 x 8.00 x 105.79		 MD cr	45°	VAG96171  42.00 x 8.02 x 14.06				
								
		DP133			JM663 			

446		 84.00	Petrol					
828 B7.000	4 Cyl.	9:1	1995cc	99kW (135)PS	TD1800	1078		
								
BK540 Fibre Composite								
								
BK540								

447

84.00

Petrol



831 B4.000

4 Cyl.

9.7:1

1995cc

85kW (115)PS

TD1812

1128



TB579

97x15
→07/89

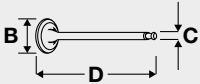
Driven unit: balance shaft

TB303

142x18

11/86→07/89

FOL38 (x8)



B x C x D

OE



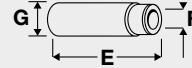
MAT.



45°



H



E x F x G

V91290 ■

43.50 x 8.00 x 105.70

46 406 169



MB

45°

H

V91765 ■

43.50 x 8.00 x 105.00

7 547 400



MB cr

45°

H

V90070 ■

36.10 x 8.00 x 105.79

4 359 309



MD cr

45°

ss

V91394 ■

36.50 x 8.00 x 105.50

5 953 041



MD

45°

ss

V91636 ■

36.50 x 8.00 x 106.00

5 975 341

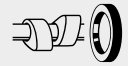
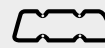


MD cr

45°

VAG96171 ■ ■

42.00 x 8.02 x 14.06



BT440 Fibre Composite

DT411 [1]

GT423





BT440







[1] Without crankshaft seal

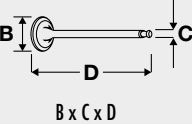
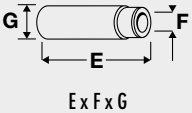
[1] sans bague d'étanchéité - vilebrequin


[1] senza paraolio-albero a gomiti

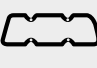
[1] sin cigüeñal retén

448	 84.00	Petrol					
831 B5.000	4 Cyl.	8:1	1995cc	122kW (166)PS	Turbo Intercooled	TD1823	1129
835 A7.046	4 Cyl.	8:1	1995cc	124kW (169)PS	Turbocharged	TD1850	1129







					
TB303 142x18 TB579 97x15 Driven unit: balance shaft	TBK118 Component No: TB303; AE1012TP				

	
B x C x D	Ex F x G

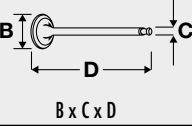
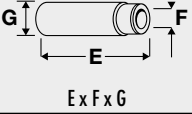
V91290 	46 406 169		45°		VAG96171 	
43.50 x 8.00 x 105.70		MB			42.00 x 8.02 x 14.06	
V91394 	5 953 041		45°	ss		
36.50 x 8.00 x 105.50		MD				








							
---	---	---	---	---	---	---	---

BT410 Fibre Composite	GT423	JA757 
------------------------------	--------------	--

					
---	---	---	---	---	---

TB303 142x18 TB579 97x15 Driven unit: balance shaft	TBK118 Component No: TB303; AE1012TP				
---	---	--	--	--	--

	
B x C x D	Ex F x G

V91290 	46 406 169		45°		VAG96171 	
43.50 x 8.00 x 105.70		MB			42.00 x 8.02 x 14.06	
V91394 	5 953 041		45°	ss		
36.50 x 8.00 x 105.50		MD				

							
---	---	---	---	---	---	---	---

DT423	GT423	HBS092  M10x1.25x115.00mm (x10)
--------------	--------------	--

FIAT GROUP

450	84.00	Petrol					
831 C5.046	4 Cyl.	8:1	1995cc	130kW (177)PS	Turbocharged	TD1822	1131
TB579 97x15 →12/91 Driven unit: balance shaft TB474 173x18							

B x C x D	E x F x G
V91290 ■ 43.50 x 8.00 x 105.70	VAG96171 ■ ■ ■ 42.00 x 8.02 x 14.06
V91394 ■ 36.50 x 8.00 x 105.50	
OE: 46 406 169	OE: 42 000 000
MAT: MB	MAT: H
MAT: MD	MAT: ss

BT420 Fibre Composite	DT423	GT423	HBS092 ☒ M10x1.25x115.00mm (x10)				



BT420

451	84.00	Petrol					
831 D5.000	4 Cyl.	8:1	1995cc	144kW (196)PS	Turbocharged	TD1825	1132
TB579 97x15 01/91→ Driven unit: balance shaft TB394 145x18 Eng.→1039306 TB474 173x18 Eng.1039307→							

B x C x D	E x F x G
V91935 ■ 34.40 x 7.00 x 128.00	VAG92496 ■ ■ ■ 51.00 x 7.03 x 14.04
V91936 ■ 28.35 x 7.00 x 125.50	VAG96181B ■ ■ ■ 51.30 x 7.04 x 14.05
OE: 7 722 907	OE: 42 000 000
MAT: MD cr	MAT: H
MAT: MD cr	MAT: ss

			HBS093 ☒ M10x1.25x172.00mm (x10)	JD5997 ■		HR599 ■	NA5053 30.00x42.00x7.00mm FPM

452

84.00

Petrol



831 E5.000	4 Cyl.	8:1	1995cc	155kW (211)PS	Turbocharged	TD1827	1125
831 E5.046	4 Cyl.	8:1	1995cc	155kW (211)PS	Turbocharged	TD1826	1125

TB474 173x18					
TB579 97x15					
Driven unit: balance shaft					FOL106 (x16) Height: 24mm FOL145 (x16) Height: 26mm

V91935 ■ 34.40 x 7.00 x 128.00	V91936 ■ 28.35 x 7.00 x 125.50	VAG92496 ■ ■ ■ 51.00 x 7.03 x 14.04	VAG96181B ■ ■ ■ 51.30 x 7.04 x 14.05	VAG96199 ■ ■ ■ 51.30 x 7.04 x 14.08
B x C x D	OE	MAT.	45°	45°
		MD cr		
		MD cr		

BT440 Fibre Composite	DT447	GT447	HBS093 Ⓢ M10x1.25x172.00mm (x10)	JD151 JD5997 ■	JN928	HR599 ■	NA5053 30.00x42.00x7.00mm FPM



BT440

453

 **84.00**

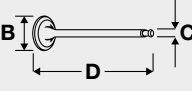
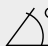

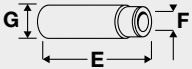






Petrol

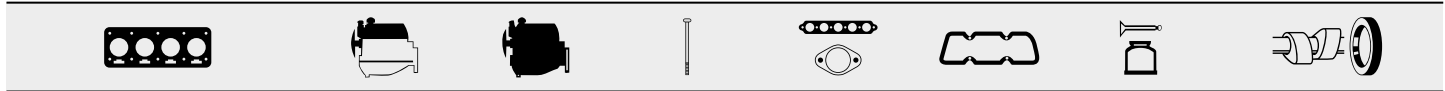



834 B.000 4 Cyl. 9.7:1 1995cc **88kW (120)PS** **TD1084** **1133**



TB303
142x18
TB579
97x15
Driven unit: balance shaft

	OE	MAT.			
B x C x D					E x F x G
V91290 ■	46 406 169	 MB	45°	H	VAG96171 ■ ■ ■ 42.00 x 8.02 x 14.06 
43.50 x 8.00 x 105.70					
V91765 ■	7 547 400	 MB cr	45°	H	
43.50 x 8.00 x 105.00					
V90070 ■	4 359 309	 MD cr	45°	ss	
36.10 x 8.00 x 105.79					
V91394 ■	5 953 041	 MD	45°	ss	
36.50 x 8.00 x 105.50					
V91636 ■	5 975 341	 MD cr	45°		
36.50 x 8.00 x 106.00					



BT410 Fibre Composite	DT410	 GT410	HBS092 ☒ M10x1.25x115.00mm (x10)	JC662 ■ JA757 ■	JN643 (x2) LB414 ■	HR363 ■
BT420 Fibre Composite	DT413					



BT410



BT420

454

 84.00

Petrol



834 B.000

4 Cyl.

9.8:1

1995cc

88kW (120)PS

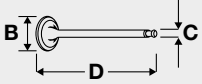

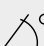

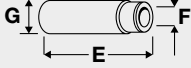






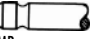



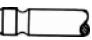


TD1833

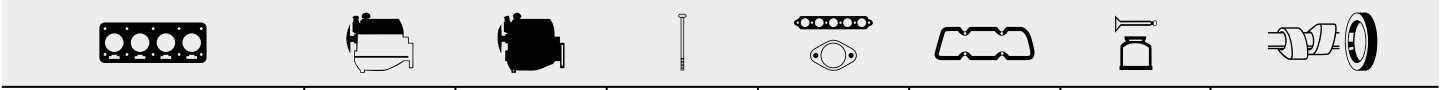
1134



<p>TB303 142x18 TB579 97x15 Driven unit: balance shaft</p>				<p>FOL104 (x8) [6]</p>
--	--	--	--	-------------------------------

[6] Mechanical [6] Mécanique [6] Meccanico [6] Mecánico

 B x C x D	OE	 MAT.	 45°	 H	 E x F x G
V91290 	46 406 169	 MB	45°	H	<p>VAG96171  </p> <p>42.00 x 8.02 x 14.06</p> 
V91765 	7 547 400	 MB cr	45°	H	
V90070 	4 359 309	 MD cr	45°	ss	
V91394 	5 953 041	 MD	45°	ss	
V91636 	5 975 341	 MD cr	45°		
36.50 x 8.00 x 106.00					



DT413

455

 84.00

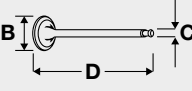
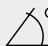


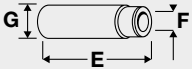











Petrol

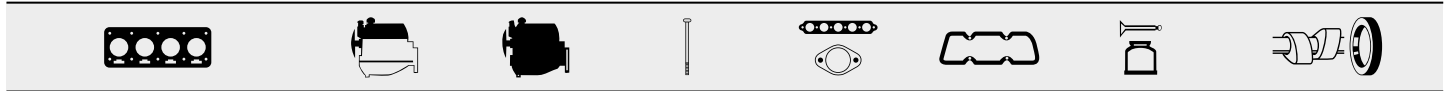




834 B.048 4 Cyl. 9.7:1 1995cc 83kW (113)PS TD1085 1136



TB303
142x18
TB579
97x15
Driven unit: balance shaft

	OE	MAT.				
B x C x D						E x F x G
V91290 	46 406 169		45°		H	VAG96171  42.00 x 8.02 x 14.06
43.50 x 8.00 x 105.70		MB				
V91765 	7 547 400		45°		H	
43.50 x 8.00 x 105.00		MB cr				
V90070 	4 359 309		45°	ss		
36.10 x 8.00 x 105.79		MD cr				
V91394 	5 953 041		45°	ss		
36.50 x 8.00 x 105.50		MD				
V91636 	5 975 341		45°			
36.50 x 8.00 x 106.00		MD cr				



BT420 Fibre Composite	DT420	HBS092 	HR363 
BT410 Fibre Composite Eng.1033482 →	→Eng.1033481 DT413 Eng.1033492 →	M10x1.25x115.00mm (x10)	



BT410



BT420

456

 **84.00**

Petrol



834 B.048

4 Cyl.







9.8:1

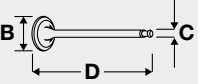
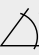


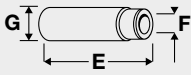









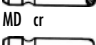

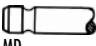
1995cc






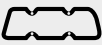

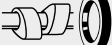

83-85kW (112-113)PS

TD1829

1135

					
TB303 142x18 TB579 97x15 Driven unit: balance shaft					FOL104 (x8) [6]
[6] Mechanical	[6] Mécanique	[6] Meccanico	[6] Mecánico		

	OE	MAT.				
B x C x D						E x F x G
V91290 	46 406 169		45°		H	VAG96171   42.00 x 8.02 x 14.06
43.50 x 8.00 x 105.70		MB				
V91765 	7 547 400		45°		H	
43.50 x 8.00 x 105.00		MB cr				
V90070 	4 359 309		45°	ss		
36.10 x 8.00 x 105.79		MD cr				
V91394 	5 953 041		45°	ss		
36.50 x 8.00 x 105.50		MD				
V91636 	5 975 341		45°			
36.50 x 8.00 x 106.00		MD cr				

							
			HBS092  M10x1.25x115.00mm (x10)				

457

 **84.00**

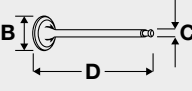
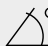

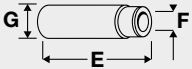
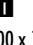


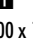
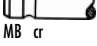
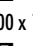
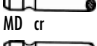
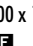
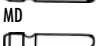
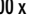
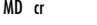
Petrol

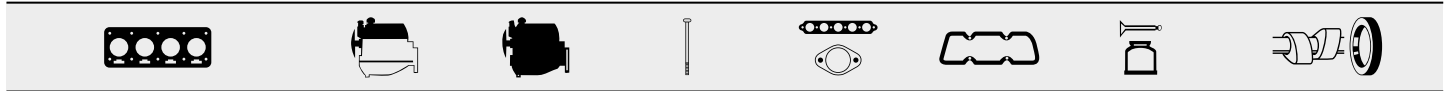


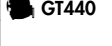

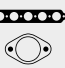


834 B.146 4 Cyl. 9.7:1 1995cc **85kW (116)PS** TD11707 **1137**



TB303
142x18
TB579
97x15
Driven unit: balance shaft

	OE	MAT.			
B x C x D					E x F x G
V91290 	46 406 169		45°	H	VAG96171  42.00 x 8.02 x 14.06
43.50 x 8.00 x 105.70		MB			
V91765 	7 547 400		45°	H	
43.50 x 8.00 x 105.00		MB cr			
V90070 	4 359 309		45°	ss	
36.10 x 8.00 x 105.79		MD cr			
V91394 	5 953 041		45°	ss	
36.50 x 8.00 x 105.50		MD			
V91636 	5 975 341		45°		
36.50 x 8.00 x 106.00		MD cr			



BT420 Fibre Composite	DT420 →Eng.1033481	 GT440	HBS092  M10x1.25x115.00mm (x10)	JC662  JA757 	JN643 (x2) JN948	HR363 	NA5187 (x2) 30.00x52.00x7.00mm ACM
------------------------------	------------------------------	--	--	--	-----------------------------------	--	--



BT420

458	84.00	Petrol							
834 B.146	4 Cyl.	9.8:1	1995cc	85kW (116)PS					TD1818 1135

TB303 142x18 TB579 97x15 Driven unit: balance shaft	TBK118 Component No: TB303; AE1012TP				

	OE	MAT.			
B x C x D					E x F x G
V91290	46 406 169		45°	H	VAG96171 42.00 x 8.02 x 14.06
43.50 x 8.00 x 105.70		MB			
V91765	7 547 400		45°	H	
43.50 x 8.00 x 105.00		MB cr			
V90070	4 359 309		45°	ss	
36.10 x 8.00 x 105.79		MD cr			
V91394	5 953 041		45°	ss	
36.50 x 8.00 x 105.50		MD			
V91636	5 975 341		45°		
36.50 x 8.00 x 106.00		MD cr			

	DT413		HBS092						
			M10x1.25x115.00mm (x10)						

459	84.00	Petrol							
834 B1.000	4 Cyl.	9.5:1	1995cc	86kW (117)PS					TD1830 1135

TB579 97x15 01/89→12/90 Driven unit: balance shaft					

	OE	MAT.			
B x C x D					E x F x G
V91290	46 406 169		45°	H	VAG96171 42.00 x 8.02 x 14.06
43.50 x 8.00 x 105.70		MB			
V91765	7 547 400		45°	H	
43.50 x 8.00 x 105.00		MB cr			
V90070	4 359 309		45°	ss	
36.10 x 8.00 x 105.79		MD cr			
V91394	5 953 041		45°	ss	
36.50 x 8.00 x 105.50		MD			
V91636	5 975 341		45°		
36.50 x 8.00 x 106.00		MD cr			

			HBS092						
			M10x1.25x115.00mm (x10)						

FIAT GROUP

460	84.00	Petrol							
834 B2.000	4 Cyl.	1995cc	108kW (147)PS						TD14549 1138

TB303 142x18 TB579 97x15 Driven unit: balance shaft	TBK118 Component No: TB303; AE1012TP				

B x C x D	OE	MAT.	45°	45°	E x F x G
V91935 ■ 34.40 x 7.00 x 128.00	7 722 907		45°		VAG92496 ■ ■ ■ 51.00 x 7.03 x 14.04
V91936 ■ 28.35 x 7.00 x 125.50	7 650 916		45°		VAG96181B ■ ■ ■ 51.30 x 7.04 x 14.05
					VAG96199 ■ ■ ■ 51.30 x 7.04 x 14.08

BT440 Fibre Composite	DT441	GT441	HBS093 ☒ M10x1.25x172.00mm (x10)	JD153 ■ JD151 JD5997 ■	JN928	HR599 ■	NA5053 30.00x42.00x7.00mm FPM



BT440

461	84.00	Petrol							
834 B2.246	4 Cyl.	8:1	1995cc	104kW (141)PS	Turbocharged				TD1832 1139

TB394 145x18 →10/89 TB474 173x18 11/89→ TB579 97x15 Driven unit: balance shaft					

B x C x D	OE	MAT.	45°	45°	E x F x G
V91935 ■ 34.40 x 7.00 x 128.00	7 722 907		45°		VAG92496 ■ ■ ■ 51.00 x 7.03 x 14.04
V91936 ■ 28.35 x 7.00 x 125.50	7 650 916		45°		VAG96181B ■ ■ ■ 51.30 x 7.04 x 14.05
					VAG96199 ■ ■ ■ 51.30 x 7.04 x 14.08

	DT441		HBS093 ☒ M10x1.25x172.00mm (x10)	JD5997 ■		HR599 ■	NA5053 30.00x42.00x7.00mm FPM

462	84.00	Petrol					
834 C.000	4 Cyl.	8:1	1995cc	122kW (166)PS	Turbo Intercooled	TD1834	1140

	.KIT		KIT		
TB303 142x18					
TB579 97x15					
Driven unit: balance shaft					

B x C x D	OE	MAT.	45°	H		E x F x G
V91290	46 406 169	MB	45°	H	VAG96171	42.00 x 8.02 x 14.06
43.50 x 8.00 x 105.70						
V91394	5 953 041	MD	45°	ss		
36.50 x 8.00 x 105.50						

BT440 Fibre Composite	BT410 Fibre Composite	DT420					
Eng.1033482 →	Eng.1033481 →	DT413					
		Eng.1033482 →					

BT410	BT440

463	84.00	Petrol					
834 C.146	4 Cyl.	8:1	1995cc	110kW (150)PS	Turbo Intercooled	TD1837	1140

	.KIT		KIT		
TB303 142x18	TBK118 Component No: TB303; AE1012TP				
TB579 97x15					
Driven unit: balance shaft					

B x C x D	OE	MAT.	45°	H		E x F x G
V91290	46 406 169	MB	45°	H	VAG96171	42.00 x 8.02 x 14.06
43.50 x 8.00 x 105.70						
V91394	5 953 041	MD	45°	ss		
36.50 x 8.00 x 105.50						

464

 **84.00**

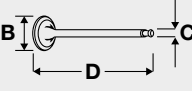
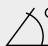

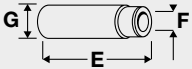


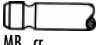
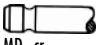


Petrol

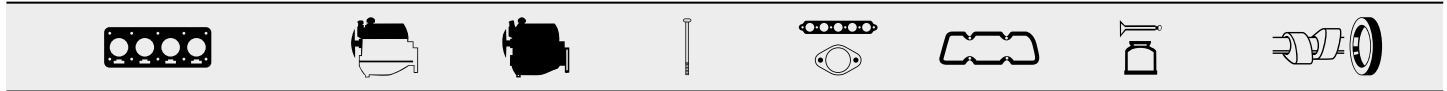


834 C.146 4 Cyl. 8:1 1995cc 110-112kW (150-152)PS Turbo Intercooled TD1064 **1141**



TB303
142x18
TB579
97x15
Driven unit: balance shaft

	OE	MAT.			
B x C x D					E x F x G
V91290 ■ 43.50 x 8.00 x 105.70	46 406 169	 MB	45°	H	VAG96171 ■ ■ ■ 42.00 x 8.02 x 14.06 
V91765 ■ 43.50 x 8.00 x 105.00	7 547 400	 MB cr	45°	H	
V90070 ■ 36.10 x 8.00 x 105.79	4 359 309	 MD cr	45°	ss	
V91394 ■ 36.50 x 8.00 x 105.50	5 953 041	 MD	45°	ss	
V91636 ■ 36.50 x 8.00 x 106.00	5 975 341	 MD cr	45°		



BT420 Fibre Composite	DT420 →Eng.1033481 DT413 Eng.1033482→	HBS092 ☒ M10x1.25x115.00mm (x10)	JC662 ■ JA757 ■	JN643 (x2) JN948 LB414 ■	HR363 ■	NA5187 (x2) 30.00x52.00x7.00mm ACM
------------------------------	--	--	----------------------------------	---	----------------	--



BT420

465	84.00	Petrol					
834 C1.000	4 Cyl.	8:1	1995cc	133kW (181)PS	Turbo Intercooled	TD1835	1126

	KIT		KIT				
TB394 145x18 →10/89							FOL104 (x16) [6]
TB474 173x18 11/89→							
TB579 97x15							
Driven unit: balance shaft							
[6] Mechanical	[6] Mécanique	[6] Meccanico	[6] Mecánico				

B x C x D	E x F x G
OE	
MAT.	
V91935 ■	VAG92496 ■ ■ ■
34.40 x 7.00 x 128.00	51.00 x 7.03 x 14.04
V91638 ■	VAG96181B ■ ■ ■
28.50 x 7.00 x 126.00	51.30 x 7.04 x 14.05
	VAG96199 ■ ■ ■
	51.30 x 7.04 x 14.08

BT440 Fibre Composite	DT442	GT442	HBS093 Ⓢ M10x1.25x172.00mm (x10)	JD153 ■ JD151	JN928	HR599 ■	NA5053 30.00x42.00x7.00mm FPM



BT440

FIAT GROUP

466	84.00	Petrol					
834 C1.246	4 Cyl.	8:1	1995cc	130kW (177)PS	Turbo Intercooled	TD1836	1124
TB303 142x18 TB579 97x15 Driven unit: balance shaft	TBK118 Component No: TB303; AE1012TP						FOL104 (x16) [6]
[6] Mechanical	[6] Mécanique	[6] Meccanico	[6] Mecánico				
	OE	MAT.					
V91935 ■ 34.40 x 7.00 x 128.00	7 722 907		45°	VAG92496 ■ ■ ■ 51.00 x 7.03 x 14.04			
V91638 ■ 28.50 x 7.00 x 126.00	7 958 073		45° ss	VAG96181B ■ ■ ■ 51.30 x 7.04 x 14.05			
				VAG96199 ■ ■ ■ 51.30 x 7.04 x 14.08			
				JD5997 ■		HR599 ■	NA5053 30.00x42.00x7.00mm FPM

467	84.00	Petrol					
834 F1.000	4 Cyl.	1995cc	110-112kW (150-152)PS	TD1831	1121		
TB474 173x18 TB579 97x15 Driven unit: balance shaft							
	OE	MAT.					
V91935 ■ 34.40 x 7.00 x 128.00	7 722 907		45°	VAG92496 ■ ■ ■ 51.00 x 7.03 x 14.04			
V91638 ■ 28.50 x 7.00 x 126.00	7 958 073		45° ss	VAG96181B ■ ■ ■ 51.30 x 7.04 x 14.05			
				VAG96199 ■ ■ ■ 51.30 x 7.04 x 14.08			
BT440 Fibre Composite	DT443 DT448		HBS093 ☒ M10x1.25x172.00mm (x10)	JD153 ■ JD151 JD5997 ■	JN928	HR599 ■	NA5053 30.00x42.00x7.00mm FPM



BT440

468	84.00	Petrol	
834 F2.000	4 Cyl.	1995cc	148kW (202)PS
			Turbo Intercooled
			TD1840 1126
TB474 173x18 TB579 97x15 Driven unit: balance shaft			FOL38 (x16)

B x C x D	E x F x G
OE	
	VAG96181B
	51.30 x 7.04 x 14.05
	VAG96199
	51.30 x 7.04 x 14.08

BT440 Fibre Composite	DT442		HBS093	JD5997		HR599	NA5053
			M10x1.25x172.00mm (x10)				30.00x42.00x7.00mm FPM



BT440

469	84.00	Petrol	
835 A5.000	4 Cyl.	9.3:1	1995cc
			86kW (117)PS
			TD14589 1142
TB303 142x18	TBK118 Component No: TB303; AE1012TP		
BT440 Fibre Composite	DT440	GT440	HBS092
			M10x1.25x115.00mm (x10)
			JC662
			JA757
			HR363
			NA5187
			30.00x52.00x7.00mm ACM



BT440

FIAT GROUP

470	84.00	Petrol				
835 A5.046	4 Cyl.	9.3:1	1995cc	82-83kW (112-113)PS	TD1848	1143
TB303 142x18 →08/97 TB579 97x15 Driven unit: balance shaft	TBK118 →08/97 Component No: TB303; AE1012TP					

B x C x D	OE	MAT.		45°	H		E x F x G
V91290 ■	46 406 169		45°	H	VAG96171 ■ ■ ■		42.00 x 8.02 x 14.06
43.50 x 8.00 x 105.70		MB					
V91394 ■	5 953 041		45°	ss			
36.50 x 8.00 x 105.50		MD					

BT440 Fibre Composite	DT446	GT446 [1]	HBS092 ☒				NPO68
			M10x1.25x115.00mm (x10)				55.00x70.00x8.00mm FPM



BT440
 [1] Without crankshaft seal [1] sans bague d'étanchéité - vilebrequin [1] senza paraolio-albero a gomiti [1] sin cigüeñal retén





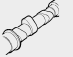



471	84.00	Petrol					
835 A7.000	4 Cyl.	8:1	1995cc	121kW (165)PS	Turbo Intercooled	TD1849	1129
TB303 142x18 TB579 97x15 01/91→ Driven unit: balance shaft	TBK118 Component No: TB303; AE1012TP						





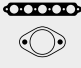
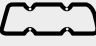





B x C x D	OE	MAT.		45°	H		E x F x G
V91290 ■	46 406 169		45°	H	VAG96171 ■ ■ ■		42.00 x 8.02 x 14.06
43.50 x 8.00 x 105.70		MB					
V91394 ■	5 953 041		45°	ss			
36.50 x 8.00 x 105.50		MD					

BT420 Fibre Composite	DT423	GT423	HBS092 ☒				
			M10x1.25x115.00mm (x10)				











BT420






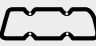


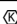
472	 84.00	Petrol				
835 A8.000	4 Cyl.	1995cc	130-132kW (177-180)PS	Turbocharged	TD14588	1144
						
TB303 142x18 TB579 97x15 01/91 → Driven unit: balance shaft	TBK118 Component No: TB303; AE1012TP		KIT			

							
BT240 Fibre Composite, 1.950mm, 2 Notches	DT423	GT423	HBS092  M10x1.25x115.00mm (x10)	JC662  JD019 	JN643		NA5187 30.00x52.00x7.00mm ACM



BT240

473	 84.00	Petrol				
835 A8.046	4 Cyl.	1995cc	119kW (162)PS	Turbocharged	TD1852	1145
						
TB303 142x18 →06/94 TB579 97x15 Driven unit: balance shaft	TBK118 →06/94 Component No: TB303; AE1012TP		KIT			

							
BT440 Fibre Composite	DT440		HBS092  M10x1.25x115.00mm (x10)				



BT440

474



84.00

Petrol



836 A2.000

4 Cyl.

10:1

1995cc

137kW (186)PS

Turbo Intercooled

TD5435

1125



KIT



TB474

173x18

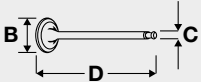
TB579

97x15

Driven unit: balance shaft

FOL106 (x16)

Height: 24mm



B x C x D

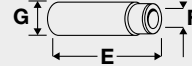
OE



MAT.



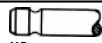
45°



E x F x G

V91935 ■

7 722 907



MD cr

34.40 x 7.00 x 128.00

V91936 ■

7 650 916



MD cr

28.35 x 7.00 x 125.50

45°

VAG92496 ■ ■ ■

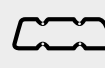
51.00 x 7.03 x 14.04

VAG96181B ■ ■ ■

51.30 x 7.04 x 14.05

VAG96199 ■ ■ ■

51.30 x 7.04 x 14.08



BT440 Fibre Composite

DT447

GT447

HBS093 ☉

M10x1.25x172.00mm (x10)

JD151

JD152 ■

JN928

HR599 ■

NA5053

30.00x42.00x7.00mm FPM



BT440

475



84.00

Petrol



836 A3.000

4 Cyl.

10:1

1995cc

102-108kW (139-147)PS

TD4614

1121

TB474 173x18 →08/98 TB579 97x15 Driven unit: balance shaft					









B x C x D	OE	Ex F x G
V91935 ■	7 722 907	VAG92496 ■ ■
34.40 x 7.00 x 128.00		51.00 x 7.03 x 14.04
V91638 ■	7 958 073	VAG961818 ■ ■
28.50 x 7.00 x 126.00		51.30 x 7.04 x 14.05
		VAG96199 ■ ■
		51.30 x 7.04 x 14.08

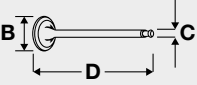
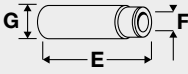

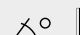





BT440 Fibre Composite	DT443		HBS093 ⊗ M10x1.25x172.00mm (x10)	JD153 ■ JD151 JD5997 ■	JN928	HR599 ■	NA5053 30.00x42.00x7.00mm FPM






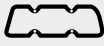




BT440

FIAT GROUP








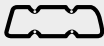


476	 84.00	Petrol				
836 A3.000	4 Cyl.	10.5:1	1995cc	102kW (139)PS	TD1071	1121
						
TB474 173x18						
TB579 97x15						
Driven unit: balance shaft						
[6] Mechanical	[6] Mécanique	[6] Meccanico	[6] Mecánico			

	
B x C x D	E x F x G
OE	
MAT.	
	
V91935 ■	VAG92496 ■ ■
7 722 907	51.00 x 7.03 x 14.04
34.40 x 7.00 x 128.00	
V91638 ■	VAG96181B ■ ■
7 958 073	51.30 x 7.04 x 14.05
28.50 x 7.00 x 126.00	
	VAG96199 ■ ■
MD cr	51.30 x 7.04 x 14.08
	
MD cr	

							
BT440 Fibre Composite	DT443 DT448		HBS093 ☒ M10x1.25x172.00mm (x10)	JD153 ■ JD151 JD5997 ■	JN928	HR800 ■	NA5053 30.00x42.00x7.00mm FPM



BT440

477	 84.00	Petrol					
836 A3.011	4 Cyl.	10.5:1	1995cc	102-104kW (139-141)PS	TD26168	1146	
							
							NA5053 30.00x42.00x7.00mm FPM

478	84.00	Petrol					
838 A4.000	4 Cyl.	8:1	1995cc	151kW (205)PS	Turbocharged	TD4619	1147
TB474 173x18 →02/98						FOL106 (x16) Height: 24mm FOL145 (x16) Height: 26mm	
TB579 97x15 →12/98						Driven unit: balance shaft	

B x C x D	OE	MAT.			E x F x G
V91935 ■	7 722 907		45°		VAG92496 ■ ■ ■
34.40 x 7.00 x 128.00		MD cr			51.00 x 7.03 x 14.04
V91936 ■	7 650 916		45°		VAG96181B ■ ■ ■
28.35 x 7.00 x 125.50		MD cr			51.30 x 7.04 x 14.05
					VAG96199 ■ ■ ■
					51.30 x 7.04 x 14.08

BT440 Fibre Composite	DT448		HBS093 ☼ M10x1.25x172.00mm (x10)	JD153 ■ JD151 JD5997 ■	JN928		NA5053 30.00x42.00x7.00mm FPM



BT440

479	84.00	Petrol					
6132 AZ 2.000	4 Cyl.	1995cc	59kW (80)PS	TD13508	1148		
BP190 Fibre Composite	DP190			JE390 ■		HR596 ■	



BP190

FIAT GROUP

480

 **84.00**

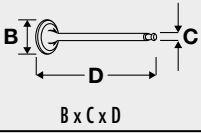
Petrol



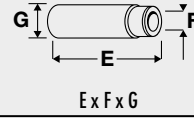
AR 06476 4 Cyl. 1995cc 128-129kW (174-175)PS Turbocharged TD65 1150



TB579
97x15
02/88 → 10/92
Driven unit: balance shaft

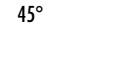


OE



V91290 ■
43.50 x 8.00 x 105.70

46 406 169



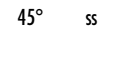
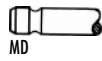
H

VAG96171 ■
42.00 x 8.02 x 14.06

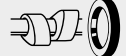
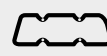


V91394 ■
36.50 x 8.00 x 105.50

5 953 041



ss



BT420 Fibre Composite
→Eng.1033624

DT420
01/88 → 12/89
→Eng.1033624

HBS092 ☒
M10x1.25x115.00mm (x10)

JC662 ■
JD019 ■

JN643 (x2)

HR363 ■

NA5187
30.00x52.00x7.00mm ACM

BT440 Fibre Composite
Eng.1033625 →



BT420, BT440

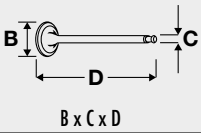
481

 **84.00**

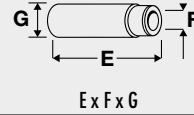
Petrol



AR 67201 4 Cyl. 10:1 1995cc 106kW (144)PS TD136 1151

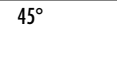
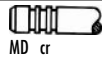


OE



V91308 ■
44.00 x 8.00 x 116.00

605 64 098

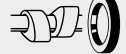
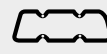


H

VAG96260B ■
48.00 x 8.00 x 15.07



VAG96268 ■
45.00 x 8.00 x 15.07



BW410 Fibre Composite

DW410

GW410

JD235 ■
JD015 ■ (x4)

JN940

HR363 ■

NA5163
32.00x47.00x10.00mm FPM



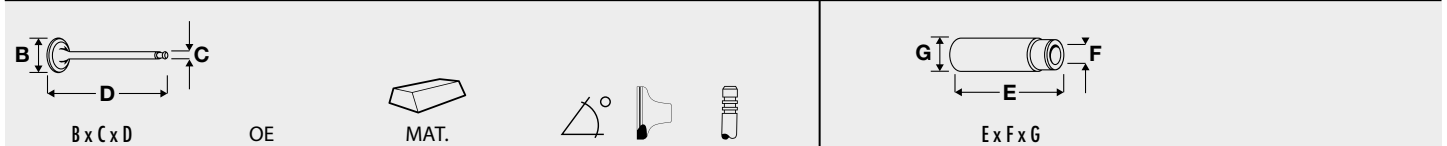
BW410

482  **84.00** **Petrol** 

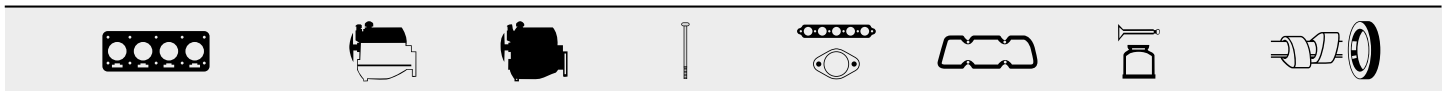
AR 67203 4 Cyl. 1995cc 137-140kW (186-190)PS Turbocharged TD138 **1152**

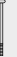



TB474
173x18
TB579
97x15
Driven unit: balance shaft



V91935 	7 722 907	 MAT.	 45°	VAG92496 	
34.40 x 7.00 x 128.00		 MD cr		51.00 x 7.03 x 14.04	
V91936 	7 650 916	 MAT.	 45°		
28.35 x 7.00 x 125.50		 MD cr			



BT440 Fibre Composite	DT447	GT447	HBS093  M10x1.25x172.00mm (x10)	JD151	JN928	HR599 	NA5053 30.00x42.00x7.00mm FPM
------------------------------	--------------	--------------	---	--------------	--------------	--	---



BT440

483  **85.00** **Diesel** 

DW10BTED4 4 Cyl. 17.6:1 1997cc 100kW (136)PS Turbo Intercooled TD25755 **1154**

RHK (DW10UTED4) Euro 4 (D4) 4 Cyl. 17.5:1 1997cc 79-88kW (107-120)PS Turbo Intercooled TD26952 **1159**



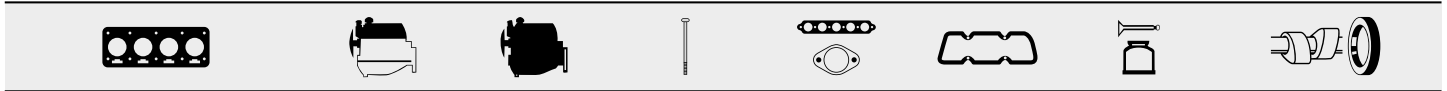
TB742
116x25
TBK338
Component No: TB742;
AE1181GP;AE1177TP



							NA5035 27.00x47.00x7.00mm FPM
--	--	--	--	--	--	--	---

484  **85.00** **Petrol** 

RFH (EW10A) Euro 4 (D4) 4 Cyl. 11:1 1997cc 103kW (140)PS TD25732 **1155**



AH6630 MLS 01/01 →			HBS535  M11x1.50x128.00mm (x10)				NF817 36.00x50.00x7.00mm FPM
------------------------------	--	--	---	--	--	--	--



AH6630

FIAT GROUP

485

 85.00

Petrol



RFN (EW10J4)

4 Cyl.






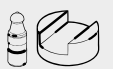
10.8:1

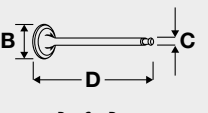
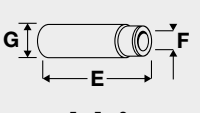
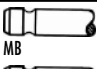
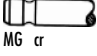
1997cc





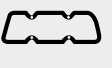


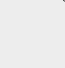


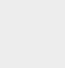

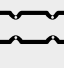
100kW (136)PS

TD16788

1156

					
TB683 153x25.4	TBK279 Component No: TB683; AE1154GP;AE1153TP		KIT		

	
B x C x D	E x F x G
V94200 	H
33.30 x 6.00 x 106.20	45°
V94201 	H
29.00 x 6.00 x 103.60	45° ss

						
AD5300 MLS	CD5300	HBS259 	JD536 	JM5139 	JM5283 	NF817
		M11x1.50x144.50mm (x10)	→Eng.07328 JD539  (x4)	[5] JM5283  [5]		36.00x50.00x7.00mm FPM



AD5300

[5] Specification: Edge Moulded

[5] Spécification: bord moulé

[5] Specificazione: bordo modellato

[5] Especificación: borde moldeado

486

 85.00

Petrol



RFN (EW10J4)

4 Cyl.







10.8:1

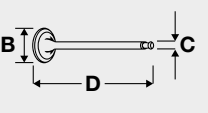
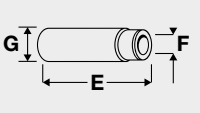
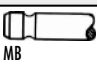
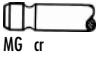
1997cc





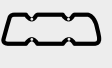


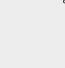
100kW (136)PS

TD16734

1156









					
TB683 153x25.4	TBK279 Component No: TB683; AE1154GP;AE1153TP		KIT		






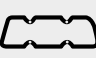



	
B x C x D	E x F x G
V94200 	H
33.30 x 6.00 x 106.20	45°
V94201 	H
29.00 x 6.00 x 103.60	45° ss

						
AD5300 MLS		HBS259 				NF817
		M11x1.50x144.50mm (x10)				36.00x50.00x7.00mm FPM





AD5300






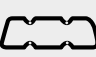


487	 85.00	Petrol				
RFN	4 Cyl.	10.8:1	1997cc	100kW (136)PS	TD16322	1157
						
TB683 153x25.4	TBK279 Component No: TB683; AE1154GP;AE1153TP					

							
AD5300 MLS			HBS259  M11x1.50x144.50mm (x10)				NF817 36.00x50.00x7.00mm FPM



AD5300

488	 85.00	Diesel					
RH02	4 Cyl.	17.5:1	1997cc	94kW (128)PS	Turbo Intercooled	TD26194	1153
RHH Euro 5	4 Cyl.	16:1	1997cc	120kW (163)PS	Turbo Intercooled	TD24777	1158

							
AH7290 MLS, 1.25mm, 3 Holes AH7300 MLS, 1.30mm, 4 Holes AH7310 MLS, 1.35mm, 5 Holes AH7320 MLS, 1.40mm, 4 Holes							NA5035 27.00x47.00x7.00mm FPM
















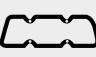






AH7290

AH7300

AH7310

AH7320

489	 85.00	Diesel					
RHK	4 Cyl.	17.5:1	1997cc	88kW (120)PS	Turbo Intercooled	TD20267	1160
							
TB742 116x25	TBK338 Component No: TB742; AE1181GP;AE1177TP						

							
AD5490 MLS, 1.250mm, 2 Notches AD5500 MLS, 1.300mm, 3 Holes AD5510 MLS, 1.350mm, 4 Holes AD5520 MLS, 1.400mm, 5 Holes	CD5500 ▲		HBS261  M12x1.50x126.00mm (x10)	JD5881 	HM5289 	HR5046 (x2) 	NA5035 27.00x47.00x7.00mm FPM



AD5490, AD5500, AD5510, AD5520

FIAT GROUP

490	85.00	Diesel					
RHM (DW10ATED4)	4 Cyl.	1997cc	79kW (107)PS	Turbo Intercooled	TD18906	1161	
TB720 144x25.4		CAM750 ■ CAM751 ■					

B x C x D	OE	MAT.	45°	H	E x F x G	
V94438 ■ 29.90 x 6.00 x 106.20	9 635 317 980	 MB cr	45°	H	VAG96119 ■ ■ ■ 41.50 x 6.03 x 10.54	
V94486 ■ 29.90 x 6.00 x 106.20	0948.C0	 MB cr	45°	Y		
V94487 ■ 25.00 x 6.00 x 106.10	0949.A9	 MG cr	45°	ss		

AD5490 MLS, 1.250mm, 2 Notches AD5520 MLS, 1.400mm, 5 Holes	CC5010 ▲ CD5490 ▲		HBS261 ⊕ M12x1.50x126.00mm (x10)	JD5881 ■	HM5289 ■	HR5046 (x2) ■ HR5064 ■	NA5035 27.00x47.00x7.00mm FPM
AD5490, AD5520							

491	85.00	Diesel					
RHM (DW10ATED4)	4 Cyl.	17.6:1	1997cc	79kW (107)PS	Turbo Intercooled	TD26957	1159
TB720 144x25.4							
							NA5035 27.00x47.00x7.00mm FPM

492	85.00	Diesel					
RHR (DW10BTD4) Euro 4 (D4)	4 Cyl.	18:1	1997cc	100kW (136)PS	Turbo Intercooled	TD26955	1162
TB742 116x25	TBK338 Component No: TB742; AE1181GP;AE1177TP						
AD5490 MLS, 1.250mm, 2 Notches AD5500 MLS, 1.300mm, 3 Holes AD5510 MLS, 1.350mm, 4 Holes AD5520 MLS, 1.400mm, 5 Holes	CD5500 ▲		HBS261 ⊕ M12x1.50x126.00mm (x10)	JD5881 ■	HM5289 ■		

AD5490, AD5500, AD5510, AD5520							

493	85.00	Diesel					
RHR	4 Cyl.	18:1	1997cc	100kW (136)PS	Turbo Intercooled	TD20268	1162
TB742 116x25	TBK338 Component No: TB742; AE1181GP;AE1177TP						
AD5490 MLS, 1.250mm, 2 Notches AD5500 MLS, 1.300mm, 3 Holes AD5510 MLS, 1.350mm, 4 Holes AD5520 MLS, 1.400mm, 5 Holes	CD5500 ▲	HBS261 ☉ M12x1.50x126.00mm (x10)	JD5190 ☒	JM5087 (Elastomer) HM5289 ☒	HR5046 (x2) ☒	NA5035 27.00x47.00x7.00mm FPM	
AD5490, AD5500, AD5510, AD5520							

494	85.00	Diesel					
RHV (DW10)	4 Cyl.	18:1	1997cc	62kW (84)PS	Turbo Intercooled	TD16406	1163
TB632 141x25.4 →07/06	TBK106 →07/06 Component No: TB632; AE1165TP;AE1166GP	CAM679		FOL163 (x8)	FOL154 (x8)		
V94178 ☐ 35.60 x 6.00 x 107.10	0948.95	VAG96119 ☐ ☒ 41.50 x 6.03 x 10.54	45°	H			
V94179 ☒ 33.80 x 6.00 x 107.10	0949.96		45°	H			

AC5012 MLS, 1.300mm, 1 Hole ☐(0.47)→(0.605) mm AC5020 MLS, 1.350mm, 2 Holes ☐(0.605)→(0.655) mm AC5032 MLS, 1.400mm, 3 Holes ☐(0.655)→(0.705) mm AC5040 MLS, 1.450mm, 4 Holes ☐(0.705)→(0.755) mm AC5052 MLS, 1.500mm, 5 Holes ☐(0.755)→(0.83) mm	CC5010 ▲	HBS261 ☉ M12x1.50x126.00mm (x10)	JD5291 ☐ JD5190 ☒	JM5087 (Elastomer)	HR5046 ☒	NA5035 27.00x47.00x7.00mm FPM	
AC5012	AC5020, AC5040	AC5032	AC5052				

FIAT GROUP

495

85.00

Diesel



RHW (DW10ATED4)

4 Cyl.

18:1

1997cc

80kW (109)PS

Turbo Intercooled

TD16789

1162

TB720 144x25.4 →07/06		CAM750 ■ CAM751 ■		FOL163 (x16)	FOL190 (x16)

B x C x D	OE	MAT.			E x F x G
V94438 ■ 29.90 x 6.00 x 106.20	9 635 317 980	 MB cr	45°	H	VAG96119 ■ ■ ■ 41.50 x 6.03 x 10.54
V94486 ■ 29.90 x 6.00 x 106.20	0948.C0	 MB cr	45°	Y	
V94487 ■ 25.00 x 6.00 x 106.10	0949.A9	 MG cr	45°	ss	

AD5490 MLS, 1.250mm, 2 Notches AD5500 MLS, 1.300mm, 3 Holes AD5510 MLS, 1.350mm, 4 Holes AD5520 MLS, 1.400mm, 5 Holes	CD5490 ▲		HBS261 ☉ M12x1.50x126.00mm (x10)	JD5881 ■	JM5141 (Elastomer)	HR5046 (x2) ■	NA5035 27.00x47.00x7.00mm FPM



AD5490, AD5500, AD5510, AD5520

496

85.00

Diesel



RHW (DW10ATED4)

4 Cyl.

17.1:1

1997cc

80kW (109)PS

Turbo Intercooled

TD16735

1164

TB720 144x25.4 08/01→06/07		CAM750 ■ CAM751 ■		FOL163 (x16)	FOL190 (x16)


B x C x D	OE	MAT.			E x F x G
V94438 ■ 29.90 x 6.00 x 106.20	9 635 317 980	 MB cr	45°	H	VAG96119 ■ ■ ■ 41.50 x 6.03 x 10.54
V94486 ■ 29.90 x 6.00 x 106.20	0948.C0	 MB cr	45°	Y	
V94487 ■ 25.00 x 6.00 x 106.10	0949.A9	 MG cr	45°	ss	

AD5490 MLS, 1.250mm, 2 Notches AD5500 MLS, 1.300mm, 3 Holes AD5510 MLS, 1.350mm, 4 Holes AD5520 MLS, 1.400mm, 5 Holes			HBS261 ☉ M12x1.50x126.00mm (x10)		JM5141 (Elastomer)		NA5035 27.00x47.00x7.00mm FPM



AD5490, AD5500, AD5510, AD5520







497

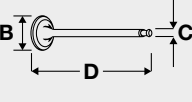
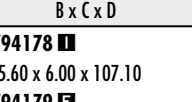

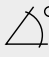

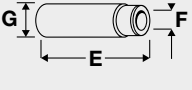
 **85.00**






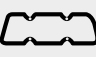






Diesel



RHX	4 Cyl.	17.6:1	1997cc	69kW (94)PS	Turbo Intercooled	TD16299	1165
RHZ	4 Cyl.	17.6:1	1997cc	80kW (109)PS	Turbo Intercooled	TD16324	1165

					
TB632 141x25.4 →10/06	TBK106 →04/00 Component No: TB632; AE1165TP;AE1166GP TBK274 04/00→10/06 Component No: TB632; AE1090GP;AE1091GP	CAM679		FOL163 (x8)	FOL154 (x8)

					
V94178 ■ 35.60 x 6.00 x 107.10	V94179 ■ 33.80 x 6.00 x 107.10	MAT. MB cr MG cr	45°	H	VAG96119 ■ ■ 41.50 x 6.03 x 10.54

							
AC5012 MLS, 1.300mm, 1 Hole ⊖(0.47)→(0.605) mm	CC5010 ▲	HBS261 ⊕ M12x1.50x126.00mm (x10)	JD5191 ■ JD5190 ■	JM5087 (Elastomer)	HR5064 ■	NA5035 27.00x47.00x7.00mm FPM	
AC5020 MLS, 1.350mm, 2 Holes ⊖(0.605)→(0.655) mm							
AC5032 MLS, 1.400mm, 3 Holes ⊖(0.655)→(0.705) mm							
AC5040 MLS, 1.450mm, 4 Holes ⊖(0.705)→(0.755) mm							
AC5052 MLS, 1.500mm, 5 Holes ⊖(0.755)→(0.83) mm							
							
AC5012	AC5020, AC5040	AC5032	AC5052				

FIAT GROUP

498



85.00

Diesel



RHZ (DW10ATED)

4 Cyl.

18:1

1997cc

80kW (109)PS

Turbocharged

TD26954

1159

TB632 141x25.4 →07/01	TBK274 →07/01 Component No: TB632; AE1090GP;AE1091GP				FOL190 (x8)

AC5012 MLS, 1.300mm, 1 Hole →(0.47)→(0.605) mm	CC5010 ▲	HBS261 ☉ M12x1.50x126.00mm (x10)	JD5191 ■ JD5190 ■	NA5035 27.00x47.00x7.00mm FPM
AC5020 MLS, 1.350mm, 2 Holes →(0.605)→(0.655) mm				
AC5032 MLS, 1.400mm, 3 Holes →(0.655)→(0.705) mm				
AC5040 MLS, 1.450mm, 4 Holes →(0.705)→(0.755) mm				
AC5052 MLS, 1.500mm, 5 Holes →(0.755)→(0.83) mm				
AC5012	AC5020, AC5040	AC5032	AC5052	

499



85.00

Diesel



P8C

4 Cyl.

21.5:1

2088cc

80kW (109)PS

Turbo Intercooled

TD960

1167

TB320 149x25.4	TBK035 Component No: TB320; AE1071TP;AE1044GP				FOL109 (x12)

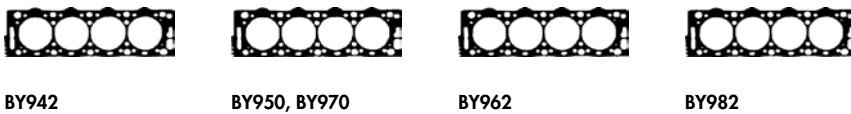
V94169 ■ 33.90 x 8.00 x 122.30	V94170 ■ 33.90 x 8.00 x 121.90	VAG96215B ■ ■ ■ 54.50 x 8.02 x 13.09
B x C x D	OE	MAT.
	96 008 334	45°
	96 109 183	45°
		H

BY942 MLS, 1.520mm →(0.65)→(0.76) mm	DV150 ▲	HBS125 ☉ M12x1.50x150.50mm (x10)	JD5291 ■ JD230 ■	JP045	HR805 ■	NF841 ■ 35.00x50.00x8.00mm FPM
BY950 MLS, 1.570mm →(0.77)→(0.81) mm						
BY970 MLS, 1.670mm						
BY962 MLS, 1.620mm 10/94→ →(0.82)→(0.86) mm						
BY982 MLS, 1.720mm 10/94→ →(0.92)→(0.96) mm						
BY942	BY950, BY970	BY962	BY982			

500	85.00	Diesel					
P 8 C	4 Cyl.	21.5:1	2088cc	80kW (109)PS	Turbocharged	TD1859	1166
TB320 149x25.4	TBK035 Component No: TB320; AE1071TP;AE1044GP						

B x C x D	OE	MAT.			Ex F x G
V94169 ■ 33.90 x 8.00 x 122.30	96 008 334		45°	H	VAG96215B ■ ■ ■ 54.50 x 8.02 x 13.09
V94170 ■ 33.90 x 8.00 x 121.90	96 109 183		45°		

BY942 MLS, 1.520mm ⊖(0.65)→(0.76) mm	DV150 ▲	HBS125 ⊕ M12x1.50x150.50mm (x10)	JD529 ■ JD230 ■	NF841 35.00x50.00x8.00mm FPM
BY950 MLS, 1.570mm ⊖(0.77)→(0.81) mm				
BY962 MLS, 1.620mm ⊖(0.82)→(0.86) mm				
BY970 MLS, 1.670mm				
BY982 MLS, 1.720mm ⊖(0.92)→(0.96) mm				



501	85.00	Diesel					
4HP	4 Cyl.	2179cc	120kW (163)PS	Turbo Intercooled	TD24689	1153	
4HP	4 Cyl.	2179cc	120kW (163)PS	Turbo Intercooled	TD24945	1153	
4HR	4 Cyl.	2179cc	120kW (163)PS	Turbo Intercooled	TD24690	1168	
4HR	4 Cyl.	2179cc	120kW (163)PS	Turbo Intercooled	TD24946	1168	
4HS Euro 4 (D4)	4 Cyl.	16.6:1	2179cc	125kW (170)PS	Turbo Intercooled	TD24688	1168
4HS Euro 4 (D4)	4 Cyl.	16.6:1	2179cc	125kW (170)PS	Turbo Intercooled	TD24775	1168

				NA5035 27.00x47.00x7.00mm FPM

FIAT GROUP

502

85.00

Diesel



4HT (DW12BTD4) Euro 4 (D4) 4 Cyl. 16.6:1 2179cc 125kW (170)PS Bi-Turbocharged Intercooled TD25656 **1168**

						FOL190 (x16)	

	OE						
V95083 ■ 27.25 x 5.97 x 95.70	0948.E5		45°	Y	H	VAG96119 ■ ■ ■ 41.50 x 6.03 x 10.54	
V95084 ■ 25.00 x 5.97 x 95.00	0949.E1		45°	ss	H		

							NA5035 27.00x47.00x7.00mm FPM	

503

85.00

Diesel



4HT Euro 4 (D4) 4 Cyl. 17.5:1 2179cc 125kW (170)PS Bi-Turbocharged Intercooled TD24686 **1168**

						CAM750 ■ CAM751 ■	
						FOL190 (x16)	

	OE						
V95083 ■ 27.25 x 5.97 x 95.70	0948.E5		45°	Y	H	VAG96119 ■ ■ ■ 41.50 x 6.03 x 10.54	
V95084 ■ 25.00 x 5.97 x 95.00	0949.E1		45°	ss	H		

						HM5369 ■	NA5035 27.00x47.00x7.00mm FPM

504	85.00	Diesel					
4HW(DW12ATED4)	4 Cyl.	18:1	2179cc	94kW (128)PS	Turbo Intercooled	TD16736	1170
TB678 146x25.4	TBK303 →04/04 Component No: TB678; AE1091GP;AE1165TP TBK355 05/04→ Component No: TB678; AE1180GP;AE1179TP	CAM750 CAM751					FOL115 (x16)

AD5490 MLS, 1.250mm, 2 Notches AD5500 MLS, 1.300mm, 3 Holes AD5510 MLS, 1.350mm, 4 Holes AD5520 MLS, 1.400mm, 5 Holes	CD5490 ▲		HBS261 M12x1.50x126.00mm (x10)		JM5141 (Elastomer)		NA5035 27.00x47.00x7.00mm FPM



AD5490, AD5500, AD5510, AD5520

505	85.00	Diesel					
4HW (DW12ATED4)	4 Cyl.	18:1	2179cc	94kW (128)PS	Turbo Intercooled	TD16790	1169
TB678 146x25.4	TBK303 →04/04 Component No: TB678; AE1091GP;AE1165TP TBK355 05/04→ Component No: TB678; AE1180GP;AE1179TP	CAM750 CAM751					FOL115 (x16)

V94490 29.80 x 6.00 x 105.00 V94491 25.00 x 6.00 x 105.00	9 627 184 380 9 634 437 580	MAT. MB cr MG cr	45° 45°	Y ss	H H		VAG96119 41.50 x 6.03 x 10.54

AD5490 MLS, 1.250mm, 2 Notches AD5500 MLS, 1.300mm, 3 Holes AD5510 MLS, 1.350mm, 4 Holes AD5520 MLS, 1.400mm, 5 Holes	CD5490 ▲		HBS261 M12x1.50x126.00mm (x10)		JM5141 (Elastomer)	HR5046	NA5035 27.00x47.00x7.00mm FPM



AD5490, AD5500, AD5510, AD5520

FIAT GROUP

506

86.00

Petrol



128 A1.000	4 Cyl.	9:1	1290cc	44kW (60)PS	TD889	1172
128 AC.000	4 Cyl.	9:1	1290cc	55kW (75)PS	TD890	1172

CAM517			FOL104 (x8) [6]		
[6] Mechanical	[6] Mécanique	[6] Meccanico	[6] Mecánico		

	OE	MAT.			
B x C x D				H	E x F x G
V34496	4 239 917		45°		VAG92366
36.00 x 8.00 x 108.50		MB			46.50 x 8.00 x 14.10
V90071	4 315 062		45°		
30.99 x 8.00 x 109.09		MD cr			
V91713	4 315 062		45°		
31.00 x 8.00 x 109.00		MD cr			

BP110 Fibre Composite	DJ851 DP110			JD146 JE390	JM663 JN805	HR569	NA5187 30.00x52.00x7.00mm ACM



BP110

507

86.00

Petrol



128 AS.000	4 Cyl.	9.2:1	1290cc	54-55kW (73-75)PS	TD995	1173
------------	--------	-------	--------	-------------------	-------	------



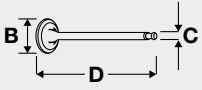




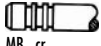
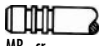
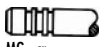
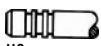
			FOL104 (x8) [6]		
[6] Mechanical	[6] Mécanique	[6] Meccanico	[6] Mecánico		









	OE	MAT.			
B x C x D				H	E x F x G
V34496	4 239 917		45°		VAG92366
36.00 x 8.00 x 108.50		MB			46.50 x 8.00 x 14.10
V90071	4 315 062		45°		
30.99 x 8.00 x 109.09		MD cr			
V91713	4 315 062		45°		
31.00 x 8.00 x 109.00		MD cr			

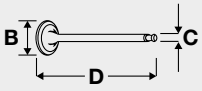




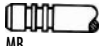
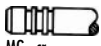
BP110 Fibre Composite	DJ851 DP110				JM663 JN805	HR300 HR569	





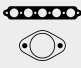




BP110

508		 86.00	Petrol		
939 A6.000	4 Cyl.	11.3:1	1859cc	118kW (160)PS	TD18475 1174
					
B x C x D	OE	MAT.			
V94962 ■	641 063		45°		H
35.15 x 6.00 x 102.20		MB cr			
V98003 ■	55192156		45°		
35.00 x 6.00 x 102.20		MB cr			
V94963 ■	641 376		45°	ss	H
30.10 x 6.00 x 100.90		MG cr			
V98004 ■	71739686		45°		
30.00 x 6.00 x 100.10		MG cr			

509		 86.00	Petrol		
RFL	4 Cyl.	9.5:1	1998cc	81kW (110)PS	TD16405 1175
					
TB454	TBK344				
114x25.4 →07/06	→07/06 Component No: TB454; AE1084TP				

					
B x C x D	OE	MAT.			
V91972 ■	96 059 361		45°		H
42.60 x 8.00 x 108.80		MB cr			
V91970 ■	96 147 032		45°	ss	H
34.50 x 8.00 x 108.40		MG cr			

						
BY320 Fibre Composite, 1.450mm	CY081 ▲ DS820 ▲		HBS245 ☉ M12x1.50x125.00mm (x10)	JN547		NF817 36.00x50.00x7.00mm FPM



BY320

FIAT GROUP

510

 86.00

Petrol



RFV (XU10J2C)

4 Cyl.







9.5:1

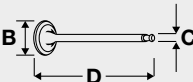



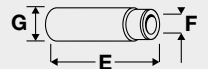
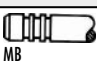
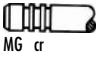
1998cc





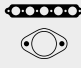
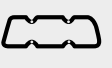

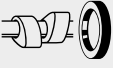
89kW (121)PS

TD4349

1176

					
TB419 114x17 →12/00, HNBR TB346 114x17 →12/00 Polychloroprene (Neoprene)	TBK010 →12/00 Component No: TB419; AE1026TP		KIT		

				
B x C x D	OE	MAT.		Ex F x G
V91972 ■ 42.60 x 8.00 x 108.80	96 059 361	 MB	45°	VAG96047 ■ 43.50 x 8.02 x 13.09
V91970 ■ 34.50 x 8.00 x 108.40	96 147 032	 MG cr	45° ss	

							
BV140 Fibre Composite, 1.250mm BY320 Fibre Composite, 1.450mm	CY082 ▲		HBS084 Ⓢ M12x1.50x120.00mm (x10)				NF817 ■ 36.00x50.00x7.00mm FPM



BV140, BY320

511

 86.00

Petrol



RFV (XU10J4R)

4 Cyl.



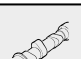



10.4:1





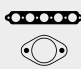
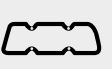


1998cc

97kW (132)PS

TD26959

1177

					
TB479 136x25.4 02/99→			KIT		

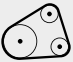





							
BV140 Fibre Composite, 1.250mm			HBS087 Ⓢ M12x1.50x110.00mm (x10)	JD536 ■	JM7121 ■ (Elastomer)		NF817 36.00x50.00x7.00mm FPM

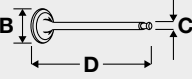




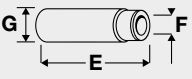

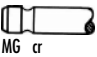






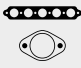
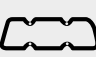


BV140

512  **86.00** **Petrol** 

RFV 4 Cyl. 10.4:1 1998cc 97-100kW (132-136)PS TD18824 1178

					
TB479 136x25.4 09/98 →	TBK113 09/98 → Component No: TB479; AE1084TP;AE1044GP				

					
B x C x D	OE	MAT.	45°	Y	H
V94175 ■ 34.60 x 6.00 x 106.40	96 289 433		45°	Y	H
V94176 ■ 29.60 x 6.00 x 105.80	96 298 611		45°	ss	H



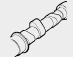



							
AY070 Fibre Composite BV140 Fibre Composite, 1.250mm			HBS087 Ⓢ M12x1.50x110.00mm (x10) →Eng.08581		JM7121 ■ (Elastomer)		NF817 36.00x50.00x7.00mm FPM

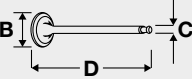



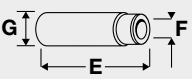

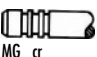







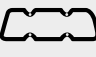


AY070 BV140

513  **86.00** **Petrol** 

RFV 4 Cyl. 9.5:1 1998cc 80kW (109)PS TD6808 1176

					
TB454 114x25.4 →11/01	TBK344 →11/01 Component No: TB454; AE1084TP				

				
B x C x D	OE	MAT.	45°	H
V91972 ■ 42.60 x 8.00 x 108.80	96 059 361		45°	H
V91970 ■ 34.50 x 8.00 x 108.40	96 147 032		45°	ss
				VAG96047 ■ 43.50 x 8.02 x 13.09

							
BV140 Fibre Composite, 1.250mm BY320 Fibre Composite, 1.450mm	CY081 ▲		HBS084 Ⓢ M12x1.50x120.00mm (x10)				NF817 ■ 36.00x50.00x7.00mm FPM



BV140, BY320

FIAT GROUP

514

 **86.00**

Petrol



RGX (XU10J2CTE)

4 Cyl.

8.5:1

1998cc

108kW (147)PS

Turbo Intercooled

TD4355

1179

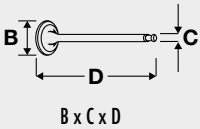


KIT



TB419
114x17
→12/00, HNBR
TB346
114x17
→12/00
Polychloroprene (Neoprene)

TBK010
→12/00
Component No: TB419;
AE1026TP



OE



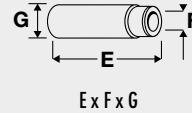
MAT.



45°

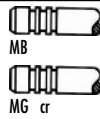


H



V91972 ■
42.60 x 8.00 x 108.80
V91971 ■
34.50 x 8.00 x 108.40

96 059 361
0949.76

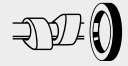
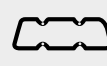


45°

ss

H

VAG96047 ■
43.50 x 8.02 x 13.09



BT440 Fibre Composite
BY310 Fibre Composite, 1.250mm
BY320 Fibre Composite, 1.450mm

DY310 ▲

HBS084 ⊕
M12x1.50x120.00mm (x10)

JD153 ■
JD151

JN547

NF817
36.00x50.00x7.00mm FPM



BT440

BY310, BY320

515

 **86.00**

Petrol



RGX (XU10J2TE)

4 Cyl.

8.8:1

1998cc

108kW (147)PS

Turbocharged

TD26958

1180



KIT



TB419
114x17
→12/99, HNBR
TB346
114x17
→12/99
Polychloroprene (Neoprene)


TBK010
→12/99
Component No: TB419;
AE1026TP

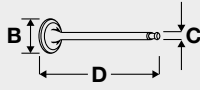
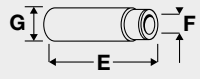
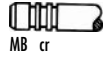
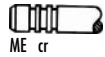
BY310 Fibre Composite, 1.250mm






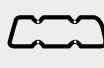


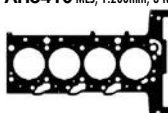
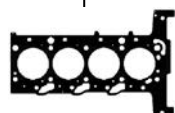
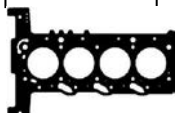
NF817
36.00x50.00x7.00mm FPM




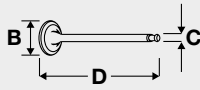
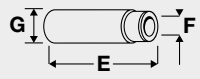
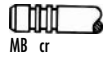
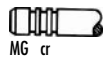
BY310





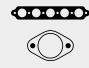
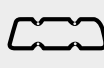


516	 86.00	Diesel							
4HV Euro 4 (D4)	4 Cyl.	17.5:1	2198cc	74kW (101)PS	Turbo Intercooled	TD20266	1182		


						
B x C x D	OE	MAT.				E x F x G
V98028 ■ 29.80 x 7.00 x 122.30	9 660 035 980	 MB cr	45°			
V98029 ■ 25.80 x 7.00 x 122.10	9 660 640 080	 ME cr	30°			

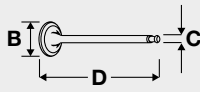
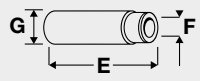
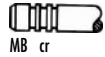
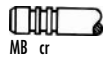
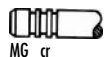
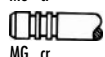
							
AH6390 MLS, 1.100mm, 1 Notch	CH6390 ▲	AH6400 MLS, 1.150mm, 2 Notches				HR5082 ■	
AH6410 MLS, 1.200mm, 3 Notches							
							
AH6390	AH6400	AH6410					






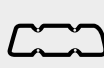


517	 86.00	Petrol							
194 A1.000	4 Cyl.	10:1	2198cc	108kW (147)PS		TD18447	1174		

						
B x C x D	OE	MAT.				E x F x G
V94962 ■ 35.15 x 6.00 x 102.20	641 063	 MB cr	45°		H	
V94963 ■ 30.10 x 6.00 x 100.90	641 376	 MG cr	45°	ss	H	

							
AG9580 MLS			HBS416 Ⓢ M11x1.50x163.00mm (x10)	KG5337 ■ (MVQ)	JM7102 (Elastomer)		JD5868 ■

518	 86.00	Petrol							
939 A5.000	4 Cyl.	2198cc		136kW (185)PS		TD18913	1174		

						
B x C x D	OE	MAT.				E x F x G
V94962 ■ 35.15 x 6.00 x 102.20	641 063	 MB cr	45°		H	
V98003 ■ 35.00 x 6.00 x 102.20	55192156	 MB cr	45°			
V94963 ■ 30.10 x 6.00 x 100.90	641 376	 MG cr	45°	ss	H	
V98004 ■ 30.00 x 6.00 x 100.10	71739686	 MG cr	45°			

							
AG9580 MLS					KG5337 ■ (MVQ)		JD5868 ■

FIAT GROUP

519

 86.40

Petrol



138 A1.000

4 Cyl.






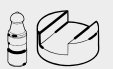
9:1

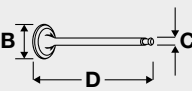

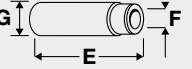



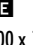
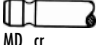
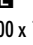
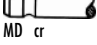
1301cc






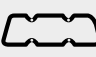


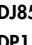
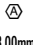


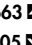

48kW (65)PS

TD4368

1184

					
TB114		CAM517		FOL104 (x8) [6]	
116x19					
[6] Mechanical	[6] Mécanique	[6] Meccanico	[6] Mecánico		

				
B x C x D	OE	MAT.		E x F x G
V34496 	4 239 917		45°	VAG92366 
36.00 x 8.00 x 108.50		MB	H	46.50 x 8.00 x 14.10
V90071 	4 315 062		45°	
30.99 x 8.00 x 109.09		MD cr		
V91713 	4 315 062		45°	
31.00 x 8.00 x 109.00		MD cr		

							
BP110 Fibre Composite	DJ851  DP110		HBS051  M10x1.25x98.00mm (x5)	JD146  JE390 	JM663  JN805 		NA5187 30.00x52.00x7.00mm ACM



BP110

520

 86.40

Petrol



138 A3.000

4 Cyl.







9:1

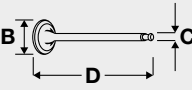

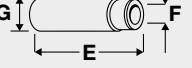



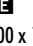
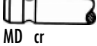

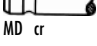
1301cc






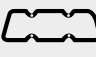


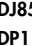



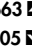


55kW (75)PS

TD4362

1184



					
TB114		CAM517		FOL104 (x8) [6]	
116x19					
[6] Mechanical	[6] Mécanique	[6] Meccanico	[6] Mecánico		







				
B x C x D	OE	MAT.		E x F x G
V34496 	4 239 917		45°	VAG92366 
36.00 x 8.00 x 108.50		MB	H	46.50 x 8.00 x 14.10
V90071 	4 315 062		45°	
30.99 x 8.00 x 109.09		MD cr		
V91713 	4 315 062		45°	
31.00 x 8.00 x 109.00		MD cr		

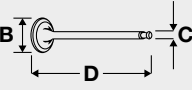
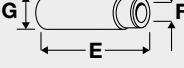



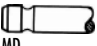
							
BP110 Fibre Composite	DJ851  DP110		HBS051  M10x1.25x98.00mm (x5)	JD146  JE390 	JM663  JN805 	HR596 	NA5187 30.00x52.00x7.00mm ACM






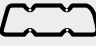





BP110

521	 86.40	Petrol	
146 A5.000	4 Cyl.	9.3:1	1301cc
			49kW (67)PS
			TD4376 1185

					
TB247					
120x15					

		
B x C x D	OE	MAT.
V90398 	4 412 816	 45°
36.60 x 7.98 x 110.50		H
V90399 	4 340 119	 45°
29.10 x 7.99 x 110.50		

							
BP290 Fibre Composite	DP293	GK590		JD5155 (x2)	JN283	HR596 	NA5187 30.00x52.00x7.00mm ACM



BP290

522

86.40

Petrol



149 A3.000

4 Cyl.

9.1:1

1301cc

48kW (65)PS

TD958

1186

<p>TB126 118x19 →7211446 for vehicles with automatic transmission</p> <p>TB248 118x15 7211447→ for vehicles with air conditioning</p> <p>TB114 116x19 Eng.→5771822 for vehicles without air conditioning; for vehicles with manual transmission</p>					

[6] Mechanical

[6] Mécanique

[6] Meccanico

[6] Mecánico

VAG92366	V34496	MAT.	45°	H	
46.50 x 8.00 x 14.10	36.00 x 8.00 x 108.50	MB			
	V90071	MD cr	45°		
	30.99 x 8.00 x 109.09				
	V91713	MD cr	45°		
	31.00 x 8.00 x 109.00				

BP860 Fibre Composite	DJ851 ▲ DP871 →Eng.5750056	GP871 →Eng.5750056	HBS051 △ M10x1.25x98.00mm (x5)	JD146 JE390	JP049 ▣ (Cork) JN805 ▣	HR596	NA5187 30.00x52.00x7.00mm ACM



BP860

523	86.40	Petrol			
831 A2.000	4 Cyl.	9.5:1	1301cc	55-58kW (75-79)PS	TD4605 1187
TB114 116x19					FOL104 (x8) [6]
[6] Mechanical	[6] Mécanique	[6] Meccanico	[6] Mecánico		

B x C x D	OE	MAT.
V34496	4 239 917	45° H
36.00 x 8.00 x 108.50		
V90071	4 315 062	45°
30.99 x 8.00 x 109.09		
V91713	4 315 062	45°
31.00 x 8.00 x 109.00		
		VAG92366
		46.50 x 8.00 x 14.10

BP110 Fibre Composite			HBS051	JD146	JN805	HR596	
			M10x1.25x98.00mm (x5)				



BP110

524	86.40	Petrol			
831 B.000	4 Cyl.	9.5:1	1301cc	55kW (75)PS	TD1809 1187
TB114 116x19 →07/85					FOL104 (x8) [6]
[6] Mechanical	[6] Mécanique	[6] Meccanico	[6] Mecánico		

B x C x D	OE	MAT.
V34496	4 239 917	45° H
36.00 x 8.00 x 108.50		
V91713	4 315 062	45°
31.00 x 8.00 x 109.00		
		VAG92366
		46.50 x 8.00 x 14.10

BP110 Fibre Composite				JD146	JM663	HR363	



BP110

FIAT GROUP







525

 **86.40**

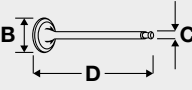

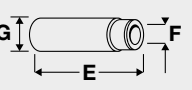




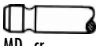
Petrol



138 A.000 4 Cyl. 9.1:1 1302cc **37-48kW (50-65)PS** **TD18855** **1183**

			 KIT		
					FOL104 (x8) [6]

[6] Mechanical [6] Mécanique [6] Meccanico [6] Mecánico

			
B x C x D	OE	MAT.	E x F x G
V34496 	4 239 917		VAG92366 
36.00 x 8.00 x 108.50		MB	46.50 x 8.00 x 14.10
V91713 	4 315 062		
31.00 x 8.00 x 109.00		MD cr	

526







 **86.40**

Petrol



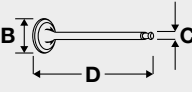

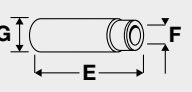




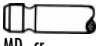


138 B2.000 4 Cyl. 9.1:1 1302cc **50-51kW (68-69)PS** **TD4363** **1188**

149 A7.000 4 Cyl. 9.6:1 1302cc **48kW (65)PS** **TD4382** **1188**









			 KIT		
--	---	---	--	--	---

TB126 118x19 →08/86 for vehicles with air conditioning					FOL104 (x8) [6]
TB248 118x15 for vehicles with air conditioning					
TB114 116x19 for vehicles without air conditioning					

[6] Mechanical [6] Mécanique [6] Meccanico [6] Mecánico

			
B x C x D	OE	MAT.	E x F x G
V34496 	4 239 917		VAG92366 
36.00 x 8.00 x 108.50		MB	46.50 x 8.00 x 14.10
V90071 	4 315 062		
30.99 x 8.00 x 109.09		MD cr	
V91713 	4 315 062		
31.00 x 8.00 x 109.00		MD cr	

							
---	---	---	---	---	--	---	---

BP860 Fibre Composite	DJ851  →Eng.5750056 DP871 →Eng.5750056	 GP871 →Eng.5750056	HBS051  M10x1.25x98.00mm (x5)	JD146  JE390 	JP049  (Cork) JN805 	HR596 	NA5187 30.00x52.00x7.00mm ACM
------------------------------	--	--	--	--	--	--	---



BP860

527	86.40	Petrol				
138 A2.000	4 Cyl.	9:1	1498cc	55-57kW (75-78)PS	TD916	1191
TB248 118x15 for vehicles with air conditioning TB126 118x19 for vehicles without air conditioning		CAM517			FOL104 (x8) [6]	
[6] Mechanical	[6] Mécanique	[6] Meccanico	[6] Mecánico			

V34496 ■ 36.00 x 8.00 x 108.50	VAG92366 ■ ■ 46.50 x 8.00 x 14.10
OE: 4 239 917	
OE: 4 403 047	
MAT. MB	
MAT. MD	
45°	
45°	
H	

BP110 Fibre Composite	DP110 01/79→06/82 →Eng.4525272	GP861	HBS051 △ M10x1.25x98.00mm (x5)	JD146 JE390 ■	JM663 ▣ JN805 ▣	HR596 ■	NA5187 30.00x52.00x7.00mm ACM



BP110

528	86.40	Petrol				
138 A4.000	4 Cyl.	9.2:1	1498cc	63kW (86)PS	TD4357	1191
TB126 118x19 TB248 118x15		CAM517			FOL104 (x8) [6]	
[6] Mechanical	[6] Mécanique	[6] Meccanico	[6] Mecánico			

V34496 ■ 36.00 x 8.00 x 108.50	VAG92366 ■ ■ 46.50 x 8.00 x 14.10
OE: 4 239 917	
OE: 4 403 047	
MAT. MB	
MAT. MD	
45°	
45°	
H	

BP110 Fibre Composite	DP110 →Eng.4525272		HBS051 △ M10x1.25x98.00mm (x5)	JD146 JE390 ■	JM663 ▣ JN805 ▣	HR596 ■	NA5187 30.00x52.00x7.00mm ACM



BP110

529

 **86.40**

Petrol



138 B3.000

4 Cyl.

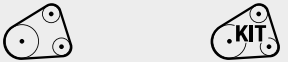
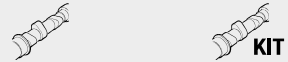

9.2:1

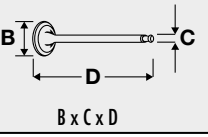
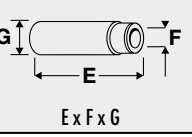
1498cc






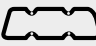

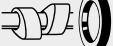
55-61kW (75-83)PS

TD4365

1191

		
TB126 118x19 →08/86 for vehicles with air conditioning TB248 118x15 →08/86 for vehicles with air conditioning	CAM517	FOL104 (x8) [6]
[6] Mechanical	[6] Mécanique	[6] Meccanico

	
B x C x D OE MAT. 45° H	E x F x G
V34496 ■ 36.00 x 8.00 x 108.50 4 239 917 MB V91762 ■ 33.00 x 8.00 x 109.00 4 403 047 MD	VAG92366 ■ ■ ■ 46.50 x 8.00 x 14.10







							
BP860 Fibre Composite	DP860	GP861	HBS051 ⚠ M10x1.25x98.00mm (x5)	JD146 JE390	JP049 ■ (Cork) JN805 ■	HR596 ■	NA5187 30.00x52.00x7.00mm ACM



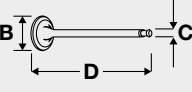




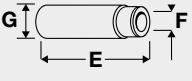

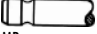


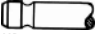
BP860






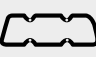







530  **86.40** **Petrol** 

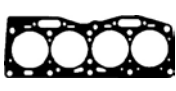
138 B3.048 4 Cyl. 9:1 1498cc 55-57kW (75-78)PS TD4364 1193

					
TB126 118x19		CAM517			FOL104 (x8) [6]
TB248 118x15					

[6] Mechanical [6] Mécanique [6] Meccanico [6] Mecánico

					
B x C x D	MAT.	45°		H	E x F x G
V34496 	4 239 917				VAG92366 
36.00 x 8.00 x 108.50		MB			46.50 x 8.00 x 14.10
V91762 	4 403 047		45°		
33.00 x 8.00 x 109.00		MD			







							
BP860 Fibre Composite	DP861	GP861	HBS011  M12x1.25x119.00mm (x12)	JD146  JE390	JP049  (Cork) JN805 	HR596 	NA5187 30.00x52.00x7.00mm ACM



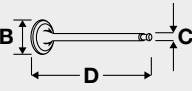




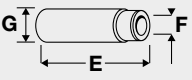







BP860






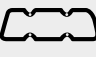




531  **86.40** **Petrol** 

138 C2.048 4 Cyl. 9:1 1498cc 55kW (75)PS TD5424 1190

					
TB126 118x19					FOL104 (x8) [6]
→07/89					

[6] Mechanical [6] Mécanique [6] Meccanico [6] Mecánico

					
B x C x D	MAT.	45°		H	E x F x G
V34496 	4 239 917				VAG92366 
36.00 x 8.00 x 108.50		MB			46.50 x 8.00 x 14.10
V90397 	4 319 339		45°	ss	
33.10 x 7.99 x 109.00		MD cr			
V91762 	4 403 047		45°		
33.00 x 8.00 x 109.00		MD			

							
					JP049  (Cork) JN805 		

532

 **86.40**

Petrol



138 C3.048







4 Cyl.

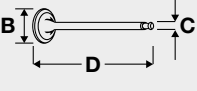
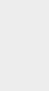



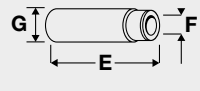





1498cc






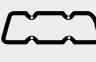


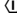






55-57kW (75-78)PS

TD4366

1194









					
TB126 118x19					
TB248 118x15					

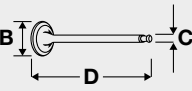

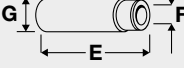
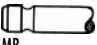


					
B x C x D	OE	MAT.	45°	H	E x F x G
V34496 	4 239 917		45°	H	VAG92366 
36.00 x 8.00 x 108.50		MB			46.50 x 8.00 x 14.10
V91762 	4 403 047		45°		
33.00 x 8.00 x 109.00		MD			






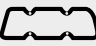

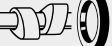

							
BP110 Fibre Composite	DP110 01/79→06/82 →Eng.4525272	GP861	HBS052  M9x1.25x95.00mm (x10)	JD146  JE390 	JM663  JP049  (Cork) JN805 	HR596 	NA5187 30.00x52.00x7.00mm ACM



BP110

533	 86.40	Petrol			
149 A5.000	4 Cyl.	9.2:1	1498cc	58kW (79)PS	TD4381 1194
					
TB126 118x19 →08/86 for vehicles with air conditioning TB248 118x15 →08/86 for vehicles with air conditioning					FOL104 (x8) [6]
[6] Mechanical	[6] Mécanique	[6] Meccanico	[6] Mecánico		

			
B x C x D	OE	MAT.	E x F x G
V34496 ■	4 239 917		VAG92366 ■ ■
36.00 x 8.00 x 108.50		45°	46.50 x 8.00 x 14.10
V91762 ■	4 403 047		
33.00 x 8.00 x 109.00		45°	

							
BP860 Fibre Composite	DP860	GP861	HBS011 Ⓢ M12x1.25x119.00mm (x12) HBS051 Ⓢ M10x1.25x98.00mm (x5)	JD146 	JP049 ■ (Cork) JN805 ■	HR596 ■	NA5187 30.00x52.00x7.00mm ACM



BP860

534

 **86.40**

Petrol



831 A1.000

4 Cyl.







9.2:1

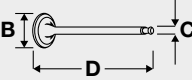
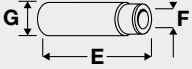

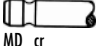

1498cc






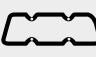


63kW (86)PS

TD1805

1195

					
TB126 118x19			KIT		FOL104 (x8) [6]
[6] Mechanical	[6] Mécanique	[6] Meccanico	[6] Mecánico		

		
B x C x D	OE	MAT.
V34496 ■	4 239 917	 MB
36.00 x 8.00 x 108.50		45°
V90397 ■	4 319 339	 MD cr
33.10 x 7.99 x 109.00		45° ss
V91762 ■	4 403 047	 MD
33.00 x 8.00 x 109.00		45°
		VAG92366 ■ ■ ■
		46.50 x 8.00 x 14.10

							
BP860 Fibre Composite	DP860	GP861	HBS051 △ M10x1.25x98.00mm (x5)				



BP860

535	86.40	Petrol				
831 B1.000	4 Cyl.	9.2:1	1498cc	59-63kW (80-86)PS	TD1811	1192

TB126 118x19 →07/89					FOL104 (x8) [6]

[6] Mechanical [6] Mécanique [6] Meccanico [6] Mecánico

B x C x D	E x F x G
V34496 ■ 36.00 x 8.00 x 108.50	VAG92366 ■ ■ ■ 46.50 x 8.00 x 14.10
V90397 ■ 33.10 x 7.99 x 109.00	
V91762 ■ 33.00 x 8.00 x 109.00	

BP860 Fibre Composite	DP871 →Eng.5750056 DJ851 ▲ Eng.5750056→ DP861 Eng.5750056→	GP861	HBS051 ▲ M10x1.25x98.00mm (x5)		JP049 ■ (Cork) JN805 ■		



BP860

536	86.40	Petrol			
831 B1.048	4 Cyl.	1498cc	55kW (75)PS	TD1810	1192

TB126 118x19 →07/89					FOL104 (x8) [6]

[6] Mechanical [6] Mécanique [6] Meccanico [6] Mecánico

B x C x D	E x F x G
V34496 ■ 36.00 x 8.00 x 108.50	VAG92366 ■ ■ ■ 46.50 x 8.00 x 14.10
V90397 ■ 33.10 x 7.99 x 109.00	
V91762 ■ 33.00 x 8.00 x 109.00	

FIAT GROUP

537	86.40	Petrol					
138 AS.000	4 Cyl.	9:1	1499cc	63kW (85)PS	TD4359	1192	
					JM663		

538	86.40	Petrol				
138 C2.048	4 Cyl.	9:1	1499cc	55kW (75)PS	TD926	1196
TB126 118x19 →12/88 TB305 138x15 01/89→	TBK027 01/89→ Component No: TB305; AE1008TP		KIT			FOL104 (x8) [6]
[6] Mechanical	[6] Mécanique	[6] Meccanico	[6] Mecánico			

B x C x D	OE	MAT.	45°	H	E x F x G
V34496	4 239 917		45°	H	VAG92366
36.00 x 8.00 x 108.50		MB			46.50 x 8.00 x 14.10
V91762	4 403 047		45°		
33.00 x 8.00 x 109.00		MD			

BP860 Fibre Composite	DJ851 DP860	GP861	HBS011 M12x1.25x119.00mm (x12)	JD146 JE390	JP049 (Cork) JN805	HR596	NA5187 30.00x52.00x7.00mm ACM



BP860

539	86.40	Petrol			
149 C1.000	4 Cyl.	9.2:1	1499cc	49-55kW (67-75)PS	TD973 1197
TB126 118x19 →12/88 TB305 138x15 01/89→	TBK027 01/89→ Component No: TB305; AE1008TP				FOL104 (x8) [6]
[6] Mechanical	[6] Mécanique	[6] Meccanico	[6] Mecánico		

B x C x D	OE	MAT.	45°	H	Ex F x G
V34496	4 239 917		45°		VAG92366
36.00 x 8.00 x 108.50					46.50 x 8.00 x 14.10
V91762	4 403 047		45°		
33.00 x 8.00 x 109.00					

BP860 Fibre Composite	DP861 Eng.5750056→	GP861	HBS011 M12x1.25x119.00mm (x12)	JD146 	JP049 (Cork) JN805	HR596	NA5187 30.00x52.00x7.00mm ACM



BP860

540	86.40	Petrol			
146 C6.000	4 Cyl.	19.5:1	1581cc	55kW (75)PS	TD954 1198
146 D6.000	4 Cyl.	9.2:1	1581cc	55kW (75)PS	TD959 1198
TB305 138x15	TBK027 Component No: TB305; AE1008TP				FOL104 (x8) [6]
[6] Mechanical	[6] Mécanique	[6] Meccanico	[6] Mecánico		
AY460 Fibre Composite	DR630	HBS051 M10x1.25x98.00mm (x5)	JP049 (Cork) JN805	NA5187 30.00x52.00x7.00mm ACM	



AY460

FIAT GROUP

541

86.40

Petrol



159 A3.000

4 Cyl.

9.2:1

1581cc

62-66kW (84-90)PS

TD9787

1199

TB305 138x15	TBK027 Component No: TB305; AE1008TP				FOL104 (x8) [6]

[6] Mechanical

[6] Mécanique

[6] Meccanico

[6] Mecánico

B x C x D	E x F x G
V91300 ■ 37.50 x 8.00 x 108.50	VAG92366 ■ ■ ■ 46.50 x 8.00 x 14.10
V91762 ■ 33.00 x 8.00 x 109.00	

AY460 Fibre Composite	DR630	GT446 [1] 01/91→	HBS051 △ M10x1.25x98.00mm (x5)	JD146 JA757 ■	JP049 ■ (Cork) JN805 ■	HR363 ■	NA5187 30.00x52.00x7.00mm ACM



AY460

[1] Without crankshaft seal

[1] sans bague d'étanchéité - vilebrequin

[1] senza paraolio-albero a gomiti

[1] sin cigüeñal retén

542

86.40

Petrol



159 A3.046

4 Cyl.

9.2:1

1581cc

57-65kW (78-88)PS

TD1006

1199

TB305 138x15	TBK027 Component No: TB305; AE1008TP				FOL104 (x8) [6]

[6] Mechanical

[6] Mécanique

[6] Meccanico

[6] Mecánico

B x C x D	E x F x G
V91300 ■ 37.50 x 8.00 x 108.50	VAG92366 ■ ■ ■ 46.50 x 8.00 x 14.10
V91762 ■ 33.00 x 8.00 x 109.00	

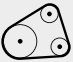





AY460 Fibre Composite BR630 Fibre Composite	DR630	GR630	HBS051 △ M10x1.25x98.00mm (x5) 01/93→	JD146	JP049 ■ (Cork) JN805 ■	HR363 ■	NA5187 30.00x52.00x7.00mm ACM



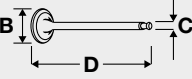
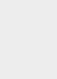



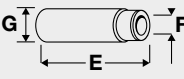





AY460, BR630





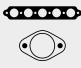
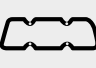







543  **86.40** **Petrol** 

159 A3.048 4 Cyl. 9.2:1 1581cc 51-66kW (69-90)PS TD1007 1200

					
TB305 138x15	TBK027 Component No: TB305; AE1008TP	CAM719			FOL104 (x8) [6]

[6] Mechanical [6] Mécanique [6] Meccanico [6] Mecánico

					
B x C x D	OE	MAT.	45°	H	E x F x G
V91300  37.50 x 8.00 x 108.50	7 609 772		45°	H	VAG92366  46.50 x 8.00 x 14.10
V91762  33.00 x 8.00 x 109.00	4 403 047		45°		



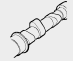



							
AY460 Fibre Composite BR630 Fibre Composite	DR630	GR630	HBS051  M10x1.25x98.00mm (x5) 01/93→	JD146 	JP049  (Cork) JN805 	HR363 	NA5187 30.00x52.00x7.00mm ACM








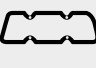

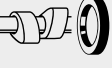


AY460, BR630

544  **86.40** **Petrol** 

159 B9.000 4 Cyl. 1581cc 66kW (90)PS TD4598 1201

					
TB305 138x15 →08/97	TBK027 →08/97 Component No: TB305; AE1008TP				FOL104 (x8) [6]

[6] Mechanical [6] Mécanique [6] Meccanico [6] Mecánico

							
					JP049  (Cork) JN805 		

FIAT GROUP

545

86.40

Petrol



159 B9.000

4 Cyl.

1581cc

63-66kW (86-90)PS

TD965

1202

TB305 138x15	TBK027 Component No: TB305; AE1008TP				FOL104 (x8) [6] →12/95
[6] Mechanical	[6] Mécanique	[6] Meccanico	[6] Mecánico		

--	--	--	--	--	--	--	--

AY460 Fibre Composite BR630 Fibre Composite	DR631		HBS051 ⚠ M10x1.25x98.00mm (x5)	JD146	JP024	HR363 ☑	NA5187 30.00x52.00x7.00mm ACM
--	--------------	--	--	--------------	--------------	----------------	---



AY460, BR630

546

86.40

Petrol



160 A2.000

4 Cyl.

9.2:1

1581cc

58-62kW (79-84)PS

TD1019

1203

TB305 138x15	TBK027 Component No: TB305; AE1008TP				FOL104 (x8) [6]
[6] Mechanical	[6] Mécanique	[6] Meccanico	[6] Mecánico		

V91300 ■ 37.50 x 8.00 x 108.50	V91762 ■ 33.00 x 8.00 x 109.00	MAT. MB MD	45°	H	VAG92366 ■ ■ ■ 46.50 x 8.00 x 14.10
B x C x D	OE				E x F x G

7 609 772	4 403 047				
------------------	------------------	--	--	--	--

--	--	--	--	--	--	--	--

AY460 Fibre Composite BR630 Fibre Composite	DR689 →12/90 DT446 01/91→	GT446 [1] 01/91→	HBS051 ⚠ M10x1.25x98.00mm (x5)	JA757 ■	JN643 JP049 ■ (Cork) JN805 ■	HR569 ■	NA5187 30.00x52.00x7.00mm ACM
--	--	----------------------------	--	----------------	--	----------------	---



AY460, BR630

[1] Without crankshaft seal [1] sans bague d'étanchéité - vilebrequin [1] senza paraolio-albero a gomiti [1] sin cigüeñal retén

547	86.40	Petrol				
176 A9.000	4 Cyl.	9.5:1	1581cc	65kW (88)PS	TD1039	1204
TB305 138x15	TBK027 Component No: TB305; AE1008TP					FOL104 (x8) [6]

[6] Mechanical [6] Mécanique [6] Meccanico [6] Mecánico

B x C x D	OE	Ex F x G
V91306 ■ 39.50 x 8.00 x 108.50	7 617 500	VAG92366 ■ ■ ■ 46.50 x 8.00 x 14.10
V91713 ■ 31.00 x 8.00 x 109.00	4 315 062	
	MAT.	
	45°	H
	45°	
	MD cr	

AY460 Fibre Composite	DR631	HBS051 ⊕ M10x1.25x98.00mm (x5)	JD146	JP049 ■ (Cork)	HR363 ■	NA5187 30.00x52.00x7.00mm ACM
BR630 Fibre Composite				JN805 ■		



AY460, BR630

548	86.40	Petrol				
178 B3.000	4 Cyl.	10.15:1	1581cc	74-78kW (100-106)PS	TD10187	1205

TB471 158x25.4	TBK089 Component No: TB471; AE1086TP;AE1085GP	CAM709 ■ CAM710 ■				FOL106 (x16) Height: 24mm FOL145 (x16) Height: 26mm

B x C x D	OE	Ex F x G
V91949 ■ 30.40 x 7.00 x 102.00	46 517 325	VAG92364 ■ 42.50 x 7.00 x 13.07
V91950 ■ 29.80 x 7.00 x 102.60	46 462 159	VAG96123 ■ 42.25 x 7.02 x 13.05
V94468 ■ 30.00 x 7.00 x 102.40	46 461 209	VAG96146 ■ 42.50 x 7.04 x 13.05
	MAT.	
	45°	H
	45°	
	45°	ss H
	MD cr	
	MG cr	

BX030 Fibre Composite, 1.650mm	CY470 →09/99	GX030 →Eng.9508753	HBS131 ⊕ M10x1.25x100.00mm (x10)	JD5143 ■	JN973	HR800 ■	NA5187 30.00x52.00x7.00mm ACM
AY470 Fibre Composite, 1.850mm	DX030 →09/99						



BX030, AY470

FIAT GROUP

549

 **86.40**

Petrol



178 C7.098







4 Cyl.






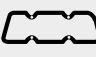



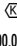
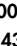


1581cc

68-76kW (92-103)PS

TD18896

1206

					
					FOL106 (x16) Height: 24mm FOL145 (x16) Height: 26mm

							
BX030 Fibre Composite, 1.650mm AY470 Fibre Composite, 1.850mm	CY470 DX030	 GX030	HBS131  M10x1.25x100.00mm (x10)	HA5005  JD5143 	JN973	HR800 	NA5187 30.00x52.00x7.00mm ACM



BX030, AY470

550

 **86.40**

Petrol



178 D2.011

4 Cyl.



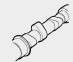



10.5:1






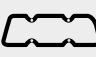

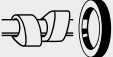





1581cc

68-76kW (92-103)PS

TD18897

1207

					
					FOL106 (x16) Height: 24mm FOL145 (x16) Height: 26mm

							
BX030 Fibre Composite, 1.650mm AY470 Fibre Composite, 1.850mm	CY470 DX030	 GX030	HBS131  M10x1.25x100.00mm (x10)	HA5005  JD5143 	JN973	HR599 	



BX030, AY470

551	86.40	Petrol				
182 A4.000	4 Cyl.	10.5:1	1581cc	76kW (103)PS	TD4400	1208

TB471 158x25.4	TBK089 Component No: TB471; AE1086TP;AE1085GP	CAM709 ■ CAM710 ■		FOL106 (x16) Height: 24mm	FOL145 (x16) Height: 26mm

B x C x D	OE	MAT.			E x F x G
V91949 ■ 30.40 x 7.00 x 102.00	46 517 325		45°	H	VAG92364 ■ 42.50 x 7.00 x 13.07
V91950 ■	46 462 159		45°		VAG96123 ■ 42.25 x 7.02 x 13.05
V94468 ■	46 461 209		45°	ss H	VAG96146 ■ 42.50 x 7.04 x 13.05

BX030 Fibre Composite, 1.650mm AY470 Fibre Composite, 1.850mm	CY470 DX030	GX030	HBS131 ⊗ M10x1.25x100.00mm (x10)	HA5005 ■ ■ ■ JD5143 ■	JN973	HR800 ■	NA5187 30.00x52.00x7.00mm ACM



BX030, AY470

552	86.40	Petrol				
182 A4.000	4 Cyl.	10.2:1	1581cc	76kW (103)PS	TD9476	1209
182 A6.000	4 Cyl.	10.1:1	1581cc	66kW (90)PS	TD9475	1209

TB471 158x25.4	TBK089 Component No: TB471; AE1086TP;AE1085GP			FOL106 (x16) Height: 24mm	FOL145 (x16) Height: 26mm

B x C x D	OE	MAT.			E x F x G
V91949 ■ 30.40 x 7.00 x 102.00	46 517 325		45°	H	VAG92364 ■ 42.50 x 7.00 x 13.07
V91950 ■	46 462 159		45°		VAG96123 ■ 42.25 x 7.02 x 13.05
V94468 ■	46 461 209		45°	ss H	VAG96146 ■ 42.50 x 7.04 x 13.05

BX030 Fibre Composite, 1.650mm AY470 Fibre Composite, 1.850mm	CY470 DX030	GX030	HBS131 ⊗ M10x1.25x100.00mm (x10)	HA5005 ■ ■ ■ JD5143 ■	JN973	HR800 ■	NA5187 30.00x52.00x7.00mm ACM



BX030, AY470

FIAT GROUP

553

86.40

Petrol



182 A6.000

4 Cyl.

10.1:1

1581cc

66kW (90)PS

TD4402

1210

TB471 158x25.4 →02/97	TBK089 →02/97 Component No: TB471; AE1086TP;AE1085GP				FOL106 (x16) Height: 24mm FOL145 (x16) Height: 26mm

B x C x D	OE	MAT.			E x F x G
V91949 ■ 30.40 x 7.00 x 102.00	46 517 325	 MB cr	45°	H	VAG92364 ■ 42.50 x 7.00 x 13.07
V91950 ■ 29.80 x 7.00 x 102.60	46 462 159	 MD cr	45°		VAG96123 ■ 42.25 x 7.02 x 13.05
V94468 ■ 30.00 x 7.00 x 102.40	46 461 209	 MG cr	45° ss	H	VAG96146 ■ 42.50 x 7.04 x 13.05

BX030 Fibre Composite, 1.650mm AY470 Fibre Composite, 1.850mm	CY470 DX030	GX030 →Eng.9508753	HBS131 ☒ M10x1.25x100.00mm (x10)	HA5005 ■ ■ ■ JD5143 ■	JN973	HR800 ■	NA5187 30.00x52.00x7.00mm ACM



BX030, AY470

554

86.40

Petrol



182 B5.098

4 Cyl.

10.5:1

1581cc

72kW (98)PS

TD19060



1206

					FOL106 (x16) Height: 24mm FOL145 (x16) Height: 26mm

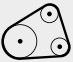





BX030 Fibre Composite, 1.650mm AY470 Fibre Composite, 1.850mm	CY470 DX030	GX030	HBS131 ☒ M10x1.25x100.00mm (x10)	HA5005 ■ ■ ■ JD5143 ■	JN973	HR599 ■	NA5187 30.00x52.00x7.00mm ACM

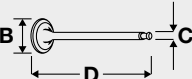
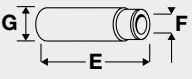







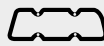


BX030, AY470

555  **86.40** **Petrol** 

185 A3.000 Euro 3 (D3) 4 Cyl. 10.1:1 1581cc **68-76kW (92-103)PS** **TD15650** **1208**



					
TB471 158x25.4 →08/00	TBK089 →08/00 Component No: TB471; AE1086TP;AE1085GP	CAM709 ■ CAM710 ■			FOL106 (x16) Height: 24mm FOL145 (x16) Height: 26mm

	
B x C x D	E x F x G
V91949 ■ 30.40 x 7.00 x 102.00	VAG92364 ■ 42.50 x 7.00 x 13.07
V91950 ■ 29.80 x 7.00 x 102.60	VAG96123 ■ 42.25 x 7.02 x 13.05
V94468 ■ 30.00 x 7.00 x 102.40	VAG96146 ■ 42.50 x 7.04 x 13.05



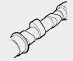



							
BX030 Fibre Composite, 1.650mm AY470 Fibre Composite, 1.850mm	CY470 DX030	GX030 →Eng.9508753	HBS131 ⊗ M10x1.25x100.00mm (x10)	JD340 ■ JD5143 ■	JN973	HR599 ■	NA5187 (x2) 30.00x52.00x7.00mm ACM

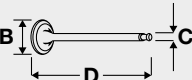
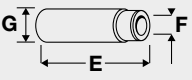







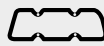


BX030, AY470

556  **86.40** **LPG** 

186 A3.000 4 Cyl. 12.5:1 1581cc **70kW (95)PS** **TD11787** **1211**

					
TB471 158x25.4 →08/05	TBK089 →08/05 Component No: TB471; AE1086TP;AE1085GP	CAM709 ■ CAM710 ■			FOL106 (x16) Height: 24mm FOL145 (x16) Height: 26mm

	
B x C x D	E x F x G
V91949 ■ 30.40 x 7.00 x 102.00	VAG92364 ■ 42.50 x 7.00 x 13.07
V91950 ■ 29.80 x 7.00 x 102.60	VAG96123 ■ 42.25 x 7.02 x 13.05
V94468 ■ 30.00 x 7.00 x 102.40	VAG96146 ■ 42.50 x 7.04 x 13.05

							
BX030 Fibre Composite, 1.650mm AY470 Fibre Composite, 1.850mm	CY470 DX030	GX030 →Eng.9508753	HBS131 ⊗ M10x1.25x100.00mm (x10)	JD340 ■ JD5143 ■	JN973	HR599 ■	NA5187 30.00x52.00x7.00mm ACM



BX030, AY470



186 A4.000

4 Cyl.

10.5:1

1581cc

68-76kW (92-103)PS

TD11788

1212

TB471 158x25.4 →09/03	TBK089 →09/03 Component No: TB471; AE1086TP;AE1085GP	CAM709 ■ CAM710 ■		FOL106 (x16) Height: 24mm	FOL145 (x16) Height: 26mm

V91949 ■ 30.40 x 7.00 x 102.00	V91950 ■ 29.80 x 7.00 x 102.60	V94468 ■ 30.00 x 7.00 x 102.40	VAG92364 ■ 42.50 x 7.00 x 13.07	VAG96123 ■ 42.25 x 7.02 x 13.05	VAG96146 ■ 42.50 x 7.04 x 13.05

BX030 Fibre Composite, 1.650mm AY470 Fibre Composite, 1.850mm	CY470 DX030	GX030 →Eng.9508753	HBS131 ☒ M10x1.25x100.00mm (x10)	JD340 ■ JD5143 ■	JN973	HR599 ■	NA5187 (x2) 30.00x52.00x7.00mm ACM



BX030, AY470

558	86.40	Petrol	
220 A 2.000	4 Cyl.	1581cc	58kW (79)PS
			TD6826 1204

TB305 138x15 →08/00	TBK027 →08/00 Component No: TB305; AE1008TP				FOL104 (x8) [6]

[6] Mechanical [6] Mécanique [6] Meccanico [6] Mecánico

B x C x D	OE	MAT.	45°	H	E x F x G
V91300	7 609 772		45°		VAG92366
37.50 x 8.00 x 108.50		MB			46.50 x 8.00 x 14.10
V90071	4 315 062		45°		
30.99 x 8.00 x 109.09		MD cr			
V91713	4 315 062		45°		
31.00 x 8.00 x 109.00		MD cr			

AY460 Fibre Composite BR630 Fibre Composite	DR630 DR632	HBS092 M10x1.25x115.00mm (x10) →12/92 HBS051 M10x1.25x98.00mm (x5) 01/93→	JD146 JF150	JP049 (Cork) JN805	HR363	NA5187 30.00x52.00x7.00mm ACM



AY460, BR630

559

86.40

Petrol



835 A1.000

4 Cyl.

9.2:1

1581cc

65-66kW (88-90)PS

TD1842

1213

TB305 138x15	TBK027 Component No: TB305; AE1008TP				FOL104 (x8) [6]



[6] Mechanical [6] Mécanique [6] Meccanico [6] Mecánico

B x C x D	OE	MAT.	E x F x G
V91300	7 609 772	 MB	VAG92366
37.50 x 8.00 x 108.50			46.50 x 8.00 x 14.10
V90071	4 315 062	 MD cr	
30.99 x 8.00 x 109.09			
V91713	4 315 062	 MD cr	
31.00 x 8.00 x 109.00			

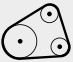





AY460 Fibre Composite BR630 Fibre Composite	DR632 →12/92 DR630 01/93→		HBS092 M10x1.25x115.00mm (x10) →12/92 HBS051 M10x1.25x98.00mm (x5) 01/93→		JP049 (Cork) JN805	



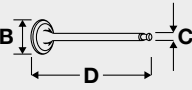
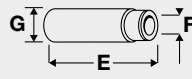






AY460, BR630






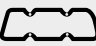

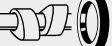



560  **86.40** **Petrol** 

835 A1.046 4 Cyl. 9.2:1 1581cc 57kW (77)PS TD1843 1214

					
TB305 138x15	TBK027 Component No: TB305; AE1008TP		KIT		FOL104 (x8) [6]

[6] Mechanical [6] Mécanique [6] Meccanico [6] Mecánico

	
B x C x D	E x F x G
OE	
MAT.	
	
45° H	
V91306 	VAG92366 
39.50 x 8.00 x 108.50	46.50 x 8.00 x 14.10
V90071 	
30.99 x 8.00 x 109.09	
V91713 	
31.00 x 8.00 x 109.00	

							
AY460 Fibre Composite	DR630	HBS092  M10x1.25x115.00mm (x10)		JP049  (Cork) JN805 			



AY460

561

86.40

Petrol



835 Cl.000

4 Cyl.

9.2:1

1581cc

55kW (75)PS

TD4611

1214

TB305 138x15 →08/97	TBK027 →08/97 Component No: TB305; AE1008TP	CAM719		FOL104 (x8) [6]

[6] Mechanical [6] Mécanique [6] Meccanico [6] Mecánico

<p>V91306 ■ 7 617 500</p> <p>39.50 x 8.00 x 108.50</p> <p>V90071 ■ 4 315 062</p> <p>30.99 x 8.00 x 109.09</p> <p>V91713 ■ 4 315 062</p> <p>31.00 x 8.00 x 109.00</p>	<p>VAG92366 ■ ■ ■ 46.50 x 8.00 x 14.10</p>
<p>OE</p> <p>MAT.</p> <p>45°</p> <p>H</p> <p>45°</p> <p>45°</p>	

AY460 Fibre Composite	DR632	HBS051 △ M10x1.25x98.00mm (x5)	JD146	JP049 ▣ (Cork) JN805 ▣	HR363 ■



AY460

562	86.40	Petrol	
835 CI.000	4 Cyl.	9.2:1	1581cc
			55-57kW (75-78)PS
			TD1067 1215

TB305 138x15	TBK027 Component No: TB305; AE1008TP	CAM719			FOL104 (x8) [6]

[6] Mechanical [6] Mécanique [6] Meccanico [6] Mecánico

B x C x D	E x F x G
OE	
MAT.	
V91306 ■	VAG92366 ■ ■
39.50 x 8.00 x 108.50	46.50 x 8.00 x 14.10
V90071 ■	
30.99 x 8.00 x 109.09	
V91713 ■	
31.00 x 8.00 x 109.00	

AY460 Fibre Composite BR630 Fibre Composite	DR630 →12/93	GR630	HBS051 △ M10x1.25x98.00mm (x5)	JD146 JF150	JP049 ■ (Cork) JN805 ■	HR363 ■ HR569 ■	NA5187 30.00x52.00x7.00mm ACM



AY460, BR630

563	87.00	Petrol	
AR 30550	4 Cyl.	9.5:1	1712cc
			84-95kW (114-129)PS
			TD4186 1216

TB106 98x17 →12/88 TB338 100x17 01/89 →	TBK287 01/89 → Component No: TB338; AE1006TP;AE1007TP				FOL126 (x8) [6]

[6] Mechanical [6] Mécanique [6] Meccanico [6] Mecánico

B x C x D	E x F x G
OE	
MAT.	
V91629 ■	VAG96261 ■
39.80 x 8.00 x 92.00	40.50 x 8.02 x 13.08
V91621 ■	
33.00 x 8.00 x 93.00	

BP990 Fibre Composite			JA899 ■ (x4)		HR363 ■	NA5064 35.00x58.00x10.00mm ACM



BP990

FIAT GROUP







564

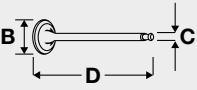
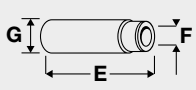
 **87.00**






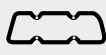



Petrol



AR 30558 4 Cyl. 1712cc 77kW (105)PS TD93 **1217**

					
TB338 100x17 01/89→	TBK287 01/89→ Component No: TB338; AE1006TP;AE1007TP		KIT		

	
B x C x D	E x F x G
V91629 ■ 39.80 x 8.00 x 92.00	VAG96261 ■ 40.50 x 8.02 x 13.08
V91621 ■ 33.00 x 8.00 x 93.00	

							
BP990 Fibre Composite (x2)				JD221 (x2) JA899 ■ (x4)  JE744		HR363 ■	NA5064 35.00x58.00x10.00mm ACM



BP990

565







 **87.00**

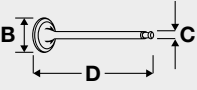
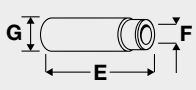
Petrol






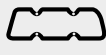





AR 30736 4 Cyl. 1712cc 79kW (107)PS TD109 **1217**

AR 30737 4 Cyl. 1712cc 77-79kW (105-107)PS TD110 **1217**



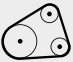





					
TB338 100x17	TBK287 Component No: TB338; AE1006TP;AE1007TP		KIT		FOL130 (x8)

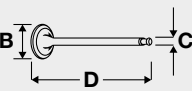
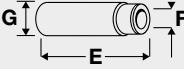



	
B x C x D	E x F x G
V91629 ■ 39.80 x 8.00 x 92.00	VAG96261 ■ ■ 40.50 x 8.02 x 13.08
V91630 ■ 33.10 x 8.00 x 92.10	






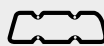



							
BP990 Fibre Composite (x2)				JD221 (x2) JA899 ■ (x4)  JE744		HR363 ■	NA5064 35.00x58.00x10.00mm ACM







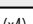



BP990

566	 87.00	Petrol	
AR 30737 A	4 Cyl.	1712cc	77-79kW (105-107)PS
	 KIT		 KIT
TB338 100x17	TBK287 Component No: TB338; AE1006TP;AE1007TP		
			 FOL130 (x8)

	
B x C x D	E x F x G
V91629 	VAG96261 
39.80 x 8.00 x 92.00	40.50 x 8.02 x 13.08
V91630 	
33.10 x 8.00 x 92.10	
OE: 605 40 326	OE: 605 40 325
MAT. MB	MAT. MD cr
45°	45°
H	

							
BP990 Fibre Composite				JE744			
							
BP990							

567	 87.00	Petrol	
AR 30740	4 Cyl.	1712cc	77kW (105)PS
			
BP990 Fibre Composite			JA899  (x4)
			NA5064 35.00x58.00x10.00mm ACM
BP990			

FIAT GROUP







568

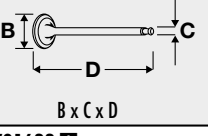


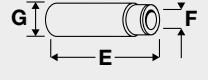

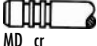
 **87.00**






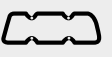




Petrol



AR 30746	4 Cyl.	1712cc	101kW (137)PS	TD114	1221
AR 30747	4 Cyl.	1712cc	95-97kW (129-132)PS	TD115	1221

					
TB274 121x20 07/90→					

	OE	MAT.			
V91622 ■ 32.00 x 7.00 x 99.10	605 25 336		45°	H	VAG96188B ■ 40.05 x 7.02 x 12.09
V91623 ■ 26.00 x 7.00 x 101.20	605 25 337		45°		VAG96218 ■ 40.50 x 7.02 x 12.09

							
AA5550 Fibre Composite (x2) BT340 Graphite Composite (x2)	DT340	GT340		JD014 ■ (x4) JD565 ■ (x4)	JN811 ■ (x5) JN810 ■ (x5)	HR800 ■	
							
AA5550	BT340						







569

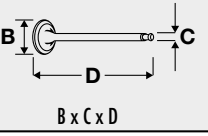


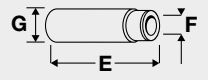
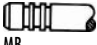
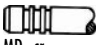
 **87.00**






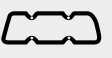




Petrol



AR 33401	4 Cyl.	1712cc	95kW (129)PS	TD122	1221
----------	--------	--------	--------------	-------	-------------

					
TB274 121x20					

	OE	MAT.			
V91622 ■ 32.00 x 7.00 x 99.10	605 25 336		45°	H	VAG96188B ■ 40.05 x 7.02 x 12.09
V91623 ■ 26.00 x 7.00 x 101.20	605 25 337		45°		VAG96218 ■ 40.50 x 7.02 x 12.09

							
AA5550 Fibre Composite (x2) BT340 Graphite Composite (x2)	DT340	GT340		JD014 ■ (x4) JD565 ■ (x4)	JN811 ■ (x5) JN810 ■ (x5)	HR800 ■	
							
AA5550	BT340						

570	87.00	Petrol				
ES9 J4S	6 Cyl.	10.9:1	2946cc	150kW (204)PS	TD17397	1222
TB727 259x32 →07/06					FOL164 (x24)	

B x C x D	OE	MAT.				H	E x F x G
V94198 ■ 34.95 x 5.98 x 108.45	0948.A5		45°				VAG96271B ■ ■ ■ ■ ■ 40.00 x 6.00 x 11.06
V94199 ■ 30.55 x 5.98 x 106.95	0949.A5		45°	ss			

			HBS272 ⊕ M10x1.50x147.00mm (x16)		HR5062 ■	NA5260 38.00x50.00x6.00mm FPM

571	87.00	Petrol				
XFW	6 Cyl.	10.9:1	2946cc	150-152kW (204-207)PS	TD18825	
AH5060 MLS, 0.740mm ■ AH5050 MLS, 0.950mm ■ AH5040 MLS, 0.740mm ■ AH5070 MLS, 0.950mm ■	CH5040 ■ CH5060 ■			JD5906 ■ JD5907 ■ (x2)		NA5260 38.00x50.00x6.00mm FPM

572	87.00	Petrol				
XFW	6 Cyl.	10.9:1	2946cc	150-152kW (204-207)PS	TD18310	1223
TB727 259x32 →07/06						
AH5060 MLS, 0.740mm ■ AH5050 MLS, 0.950mm ■ AH5040 MLS, 0.740mm ■ AH5070 MLS, 0.950mm ■	CH5040 ■ CH5060 ■		HBS272 ⊕ M10x1.50x147.00mm (x16)	JD5906 ■ JD5907 ■ (x2)	HR5062 ■	NA5260 38.00x50.00x6.00mm FPM

573	87.30	Petrol				
939 A.000	6 Cyl.	3196cc	191kW (260)PS	TD18914		
TB727 259x32 →07/06						
V98001 ■ 35.00 x 6.00 x 101.40	71741112		45°			
V98002 ■ 30.60 x 6.00 x 97.20	71741113		45°			

FIAT GROUP

574



88.00

Petrol



170 B

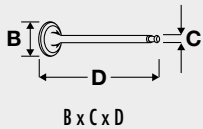
4 Cyl.

1971cc

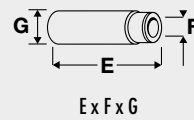
55kW (75)PS

TD4417

1224

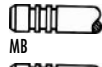


OE



V91972 ■
42.60 x 8.00 x 108.80

96 059 361



45°

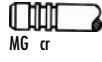
H

VAG96047 ■
43.50 x 8.02 x 13.09



V91970 ■
34.50 x 8.00 x 108.40

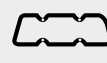
96 147 032



45°

ss

H



BM530 Fibre Composite, 1.400mm

DM533 ▲

HBS038 Ⓢ
M11x1.50x175.00mm (x10)

JB851

JN244



BM530

575



88.00

Petrol



170 D

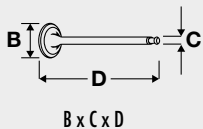
4 Cyl.

1971cc

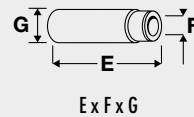
62kW (84)PS

TD5102

1224

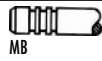


OE



V91972 ■
42.60 x 8.00 x 108.80

96 059 361



45°

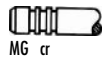
H

VAG96047 ■
43.50 x 8.02 x 13.09



V91970 ■
34.50 x 8.00 x 108.40

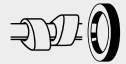
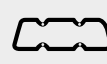
96 147 032



45°

ss

H



BM530 Fibre Composite, 1.400mm

DM533 ▲

HBS038 Ⓢ
M11x1.50x175.00mm (x10)

JB841 ■

JN244



BM530

576	88.00	Petrol				
XN 1T	4 Cyl.	8:1	1971cc	58-60kW (79-82)PS	TD4418	1225
	B x C x D	OE	MAT.			
V34459	0948.33		30°	H	VAG51007	
42.50 x 8.00 x 118.30		MB			55.00 x 8.00 x 14.06	
V34460	0949.21		45°			
35.50 x 8.00 x 112.00		MD				

BM530 Fibre Composite, 1.400mm	DM533	GM533	HBS038	JB841	JN244	HR569	
	DM530 01/84→		M11x1.50x175.00mm (x10) 04/89→	JE647			



BM530

577	88.00	Diesel				
8144.65	4 Cyl.	22.1:1	1995cc	44kW (60)PS	TD1055	1226
	B x C x D	OE	MAT.			
TB146	149x30		MG	30°	H	VAG92193
Length: 1419.2mm			MG			56.00 x 8.04 x 13.05
Groove Distance: 9.525			MG	45°	H	VAG92194
						60.00 x 8.04 x 13.05

	B x C x D	OE	MAT.			
V90402	4 733 348		MG	30°	H	VAG92193
41.00 x 8.00 x 122.00			MG			56.00 x 8.04 x 13.05
V90404	4 733 349		MG	45°	H	VAG92194
33.00 x 8.00 x 122.00						60.00 x 8.04 x 13.05

578	88.00	Diesel					
VM 4 HT	4 Cyl.	22:1	1995cc	61kW (83)PS	Turbocharged	TD150	1227
AY400 MLS, 1.420mm, 0 Notches	DK570	GK570	HBS105	JC928			
BK570 Fibre Composite, 1.420mm, 0 Notches (x4)			M14x2.00x137.00mm (x4)	JD5144			
AY410 MLS, 1.520mm, 2 Notches				JD025			
BP260 Fibre Composite, 1.520mm, 2 Notches				JF123			
AY420 MLS, 1.620mm, 1 Notch							
BK580 Fibre Composite, 1.620mm, 1 Notch (x4)							



AY400, AY410, AY420
[2] With cylinder sleeve ring

BK570, BP260, BK580

[2] avec deux bagues de chemises de cylindre

[2] con anello tenuta canna cilindro

[2] Con segmentos para camisa

FIAT GROUP

579



88.00

Diesel



VM 80 A	4 Cyl.	22:1	1995cc	70kW (95)PS	Turbocharged	TD151	1228
VM4HT/2	4 Cyl.		1995cc	60kW (82)PS	Turbocharged	TD160	1228

 B x C x D				 E x F x G			
OE	MAT.	Angle	Part	OE	MAT.	Part	
V91437 ■	605 07 189	35°		VAG96187 ■ ■ ■			
40.00 x 8.00 x 121.00	MD cr			55.00 x 8.02 x 14.06			
V91438 ■	605 07 190	45°					
34.00 x 8.00 x 121.00	MD cr						

 AY400 MLS, 1.420mm, 0 Notches BK570 Fibre Composite, 1.420mm, 0 Notches (x4) AY410 MLS, 1.520mm, 2 Notches BP260 Fibre Composite, 1.520mm, 2 Notches AY420 MLS, 1.620mm, 1 Notch BK580 Fibre Composite, 1.620mm, 1 Notch (x4)	 DK570 ▲ ○	 GK570 ▲ [2]	 HBS105 ⊕ M14x2.00x137.00mm (x4)	 JC928 ■ JD5144 JD025 ■ (x4) JF123			
 AY400, AY410, AY420 [2] With cylinder sleeve ring	 BK570, BP260, BK580 [2] avec deux bagues de chemises de cylindre						

580		88.00	Diesel				
F1AE0481C	4 Cyl.	18.5:1	2286cc	81kW (110)PS	Turbo Intercooled	TD16407	1229

 TB723 178x30 →07/06	 KIT	 KIT		

 B x C x D				 E x F x G			
OE	MAT.	Angle	Part	OE	MAT.	Part	
V94592 ■	504 069 199	45°					
30.00 x 6.00 x 120.40	MB cr						
V98018 ■	504 069 199	45°					
30.00 x 6.00 x 120.40	MB cr						
V94593 ■	504 378 070	45°					
30.00 x 6.00 x 120.35	MG cr						
V98019 ■	500 362 856	45°					
30.00 x 6.00 x 120.35	MG cr						

 AB5720 MLS, 1.100mm AB5730 MLS, 1.200mm AB5740 MLS, 1.300mm	 CB5720 ▲ 08/04 →	 FB5721 ▲ →08/04 FB5722 ▲ 08/04 →	 HBS251 ⊕ M14x1.50x193.00mm (x6)	 JD5338 ■ JD5337 ■	 JM5201 (Steel Elastomer) →08/04 JM5202 (Elastomer) 08/04 →	 NA5201 34.00x60.00x10.00mm FPM
 AB5720, AB5730, AB5740						

AB5720, AB5730, AB5740

581	88.00	Diesel					
F1AE0481T	4 Cyl.	19:1	2286cc	93kW (126)PS	Turbo Intercooled	TD24632	1230

AB5720 MLS, 1.100mm	CB5720 ▲	FB5722 ▲	HBS251 ☉ M14x1.50x193.00mm (x6)	JD5338 ■ JD5337 ☒			
AB5730 MLS, 1.200mm							
AB5740 MLS, 1.300mm							



AB5720, AB5730, AB5740

582	88.00	Diesel					
F1AE0481A Euro 3 (D3)	4 Cyl.		2287cc	70kW (95)PS		TD17144	1229

TB723							
178x30							

B x C x D	OE	MAT.			E x F x G		
V94592 ■	504 069 199	MB cr	45°	H			
30.00 x 6.00 x 120.40							
V98018 ■	504 069 199	MB cr	45°				
30.00 x 6.00 x 120.40							
V94593 ☒	504 378 070	MG cr	45°	H			
30.00 x 6.00 x 120.35							
V98019 ☒	500 362 856	MG cr	45°				
30.00 x 6.00 x 120.35							

AB5720 MLS, 1.100mm	CB5720 ▲	FB5721 ▲	HBS251 ☉ M14x1.50x193.00mm (x6)	JD5338 ■ JD5337 ☒	JM5201 (Steel Elastomer) JM5202 (Elastomer)		NA5201 34.00x60.00x10.00mm FPM
AB5730 MLS, 1.200mm							
AB5740 MLS, 1.300mm							



AB5720, AB5730, AB5740

FIAT GROUP

583



88.00

Diesel



F1AE0481B Euro 3 (D3)

4 Cyl.

2287cc

85kW (116)PS

TD17145

1229

B x C x D	OE	MAT.		
V94592 ■	504 069 199		45°	H
30.00 x 6.00 x 120.40				
V98018 ■	504 069 199		45°	
30.00 x 6.00 x 120.40				
V94593 ■	504 378 070		45°	H
30.00 x 6.00 x 120.35				
V98019 ■	500 362 856		45°	
30.00 x 6.00 x 120.35				

AB5720 MLS, 1.100mm AB5730 MLS, 1.200mm AB5740 MLS, 1.300mm	CB5720 ▲	FB5721 ▲	HBS251 ⊕ M14x1.50x193.00mm (x6)	JD5338 ■ JD5337 ■	JM5201 (Steel Elastomer) JM5202 (Elastomer)		NA5201 34.00x60.00x10.00mm FPM



AB5720, AB5730, AB5740

584



88.00

Diesel



F1AE 0481 C

4 Cyl.

2287cc

81kW (110)PS

Turbo Intercooled

FM9055

1231

B x C x D	OE	MAT.		
V94592 ■	504 069 199		45°	H
30.00 x 6.00 x 120.40				
V98018 ■	504 069 199		45°	
30.00 x 6.00 x 120.40				
V94593 ■	504 378 070		45°	H
30.00 x 6.00 x 120.35				
V98019 ■	500 362 856		45°	
30.00 x 6.00 x 120.35				

585



88.00

Diesel



F1AE0481D Euro 4 (D4)

4 Cyl.

19:1

2287cc

88kW (120)PS

Turbo Intercooled

TD20264



1232







TB723					
178x30					






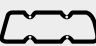

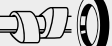



AB5720 MLS, 1.100mm AB5730 MLS, 1.200mm AB5740 MLS, 1.300mm	CB5720 ▲	FB5722 ▲	HBS251 ⊕ M14x1.50x193.00mm (x6)	JD5338 ■ JD5337 ■	JM5202 (Elastomer)		NA5201 34.00x60.00x10.00mm FPM



AB5720, AB5730, AB5740



586	 88.00	Diesel				
F1AE0481FA Euro 4 (D4)	4 Cyl.	2287cc	70-78kW (95-106)PS	Turbo Intercooled	TD19231	1232
F1AE0481GA Euro 4 (D4)	4 Cyl.	2287cc	85-93kW (116-126)PS	Turbo Intercooled	TD19232	1232
F1AE0481HA Euro 4 (D4)	4 Cyl.	2287cc	100kW (136)PS	Turbo Intercooled	TD19233	1232






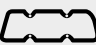

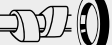
					
TB723					
178x30					

							
AB5720 MLS, 1.100mm			HBS251 	JD5338 	JM5201 (Steel Elastomer)		NA5201 34.00x60.00x10.00mm FPM
AB5730 MLS, 1.200mm			M14x1.50x193.00mm (x6)	JD5337 	JM5202 (Elastomer)		
AB5740 MLS, 1.300mm							



AB5720, AB5730, AB5740

587	 88.00	Diesel				
F1AE0481F Euro 4 (D4)	4 Cyl.	2287cc	70kW (95)PS	Turbo Intercooled	TD28231	1230
F1AE0481G Euro 4 (D4)	4 Cyl.	2287cc	85kW (116)PS	Turbo Intercooled	TD28232	1230
F1AE0481H Euro 4 (D4)	4 Cyl.	2287cc	85kW (116)PS	Turbo Intercooled	TD28233	1230
F1AE0481U Euro 4 (D4)	4 Cyl.	2287cc	78kW (106)PS	Turbo Intercooled	TD26638	1234
F1AE0481V Euro 4 (D4)	4 Cyl.	2287cc	93kW (126)PS	Turbo Intercooled	TD26637	1234
F1AE3481A Euro 5	4 Cyl.	2287cc	78kW (106)PS	Turbo Intercooled	TD26934	1234
F1AE3481B Euro 5	4 Cyl.	2287cc	93kW (126)PS	Turbo Intercooled	TD26935	1234
F1AE3481C Euro 5	4 Cyl.	2287cc	107kW (146)PS	Turbo Intercooled	TD26943	1234

							
	CB5720 ▲						

FIAT GROUP

588



88.00

Diesel



F1AE0481M

4 Cyl.

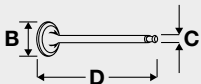
2287cc

100kW (136)PS

Turbo Intercooled

TD19156

1232

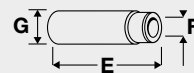


B x C x D

OE

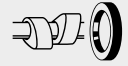
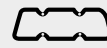


MAT.



E x F x G

Part No.	OE	MAT.	Angle	Chamfer	Screw
V94592 ■	504 069 199		45°		H
30.00 x 6.00 x 120.40					
V98018 ■	504 069 199		45°		
30.00 x 6.00 x 120.40					
V94593 ■	504 378 070		45°		H
30.00 x 6.00 x 120.35					
V98019 ■	500 362 856		45°		
30.00 x 6.00 x 120.35					



AB5720 MLS, 1.100mm
AB5730 MLS, 1.200mm
AB5740 MLS, 1.300mm

CB5720 ▲

HBS251 ☉
M14x1.50x193.00mm (x6)

JD5338 ■
JD5337 ■

JM5201
(Steel Elastomer)
JM5202
(Elastomer)

NA5201
34.00x60.00x10.00mm FPM



AB5720, AB5730, AB5740

589



88.00

Diesel



F1AE0481N

4 Cyl.

19:1

2287cc

96kW (131)PS

Turbo Intercooled

TD24778

1233

F1AE3481E

4 Cyl.

16.2:1

2287cc

109kW (148)PS

Turbo Intercooled

TD25175

1235

F1AE3481G

4 Cyl.

16.2:1

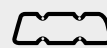
2287cc

83kW (113)PS

Turbo Intercooled

TD26313

1236



AB5720 MLS, 1.100mm
AB5730 MLS, 1.200mm
AB5740 MLS, 1.300mm

CB5720 ▲

FB5722 ▲

HBS251 ☉
M14x1.50x193.00mm (x6)

JD5338 ■
JD5337 ■

JM5202
(Elastomer)

NA5201
34.00x60.00x10.00mm FPM



AB5720, AB5730, AB5740

590



88.00

Diesel



F1AE0481R Euro 4 (D4)

4 Cyl.

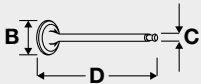
2287cc

85kW (116)PS

Turbo Intercooled

TD28234

1230



B x C x D

OE

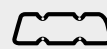


MAT.







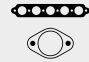
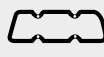

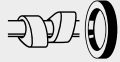











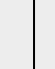






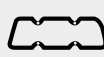

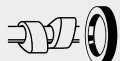
E x F x G









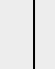








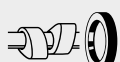
V94593 ■	504 378 070		45°		H
30.00 x 6.00 x 120.35					









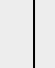






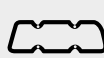

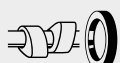


CB5720 ▲

591	 88.00	Diesel					
FIAE3481D	4 Cyl.	16.2:1	2287cc	96kW (131)PS	Turbo Intercooled	TD25174	1235
							
AB5720 MLS, 1.100mm AB5730 MLS, 1.200mm AB5740 MLS, 1.300mm	CB5720 ▲	FB5722 ▲ 08/05 →	HBS251 ☉ M14x1.50x193.00mm (x6)	JD5338 ■ JD5337 ■	JM5202 (Elastomer)		NA5201 34.00x60.00x10.00mm FPM
	AB5720, AB5730, AB5740						

592	 88.00	Petrol					
834 G.000	6 Cyl.		2492cc	119kW (162)PS		TD1066	1237
							
TB383 134x25.4			KIT				
							
				JD222 ■ JD223 ■ (x6)	JN808 ☒ JN807 ☒		

593	 88.00	Petrol					
AR 01646	6 Cyl.	9:1	2492cc	110-116kW (150-158)PS		TD36	1238
							
TB134 134x25.4 05/85 →			KIT				
							
				JD224 ■			NA5163 32.00x47.00x10.00mm FPM

594	 88.00	Petrol					
AR 01648	6 Cyl.		2492cc	113kW (154)PS		TD10150	1239
							
TB134 134x25.4			KIT				
							
				JD223 ■ (x6)	JN808 ☒ JN807 ☒		NA5163 32.00x47.00x10.00mm FPM

FIAT GROUP

595	88.00	Petrol				
AR 01911	6 Cyl.	9:1	2492cc	110-115kW (150-156)PS	TD42	1238
TB134 134x25.4						
				JD224		NA5163 32.00x47.00x10.00mm FPM

596	88.00	Petrol				
AR 01928	6 Cyl.		2492cc	110-117kW (150-159)PS	TD44	1238
TB532 185x28						
						VAG96262 48.50 x 9.00 x 14.06

597	88.00	Petrol				
AR 32401	6 Cyl.	7.3:1	2492cc	140kW (190)PS	TD9464	1242
AR 34201	6 Cyl.	10.3:1	2492cc	140kW (190)PS	TD11601	1242

TB532 185x28						
						VAG96184 43.00 x 7.04 x 12.08
V94210 33.60 x 7.00 x 102.00	605 82 738		45°	Y	H	
V94211 29.10 x 7.00 x 102.20	605 82 739		45°	ss	H	

AY631 Fibre Composite AY620 Fibre Composite	CY620			JD586 (x2) JD587 (x6)	JP071 JP070	NA5163 32.00x47.00x10.00mm FPM
AY620	AY631					

598	88.00	Petrol	
AR 32405	6 Cyl.	2492cc	141kW (192)PS
TB532 185x28 →05/04			

B x C x D	E x F x G
V94210 33.60 x 7.00 x 102.00	VAG96184 43.00 x 7.04 x 12.08
V94211 29.10 x 7.00 x 102.20	








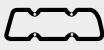


BT381 Fibre Composite, 1650mm	CY620	FY620	JD586	JP071			NA5163 32.00x47.00x10.00mm FPM
AY641 Fibre Composite, 1650mm			JD587	JP070			
AY641	BT381						









599	88.00	Petrol	
AR 36201	6 Cyl.	2492cc	138kW (188)PS
TB532 185x28 →09/07			

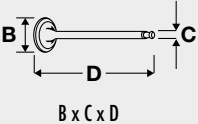

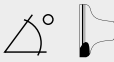

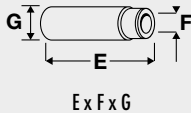





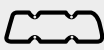

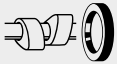
B x C x D	E x F x G
V94210 33.60 x 7.00 x 102.00	VAG96184 43.00 x 7.04 x 12.08
V94211 29.10 x 7.00 x 102.20	









BT381 Fibre Composite, 1650mm	CY620	FY620	JD586 (x2)	JP071			NA5163 32.00x47.00x10.00mm FPM
AY641 Fibre Composite, 1650mm			JD587 (x6)	JP070			
AY641	BT381						

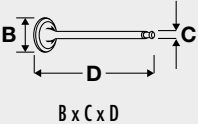

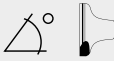

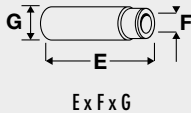





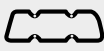


FIAT GROUP



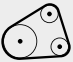

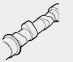






600	 88.00	Petrol	
AR 66201	6 Cyl.	2492cc	120kW (163)PS
			TD132 1241
			
			
			NA5163 32.00x47.00x10.00mm FPM



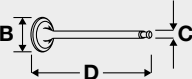


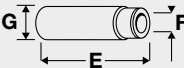




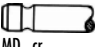
601	 88.00	Petrol	
AR 67301	6 Cyl.	2492cc	121kW (165)PS
			TD139 1243
			
			
TB383 134x25.4 →12/93			








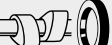



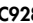


	OE		MAT.				Ex F x G
			VAG96262 ■ 48.50 x 9.00 x 14.06				
							
				JD222 ■ (x2) JD223 ■ (x6) JD224 ■	JN808 ■ JN807 ■	NJ951 32.00x50.00x8.00mm FPM NA5163 32.00x47.00x10.00mm FPM	



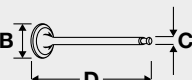
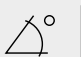

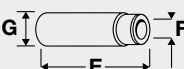





602	 88.00	Petrol	
AR 67302	6 Cyl.	2492cc	120kW (163)PS
			TD9468 1243
			
			
TB383 134x25.4			






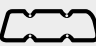

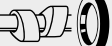


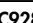



	OE		MAT.				Ex F x G
			VAG96262 ■ 48.50 x 9.00 x 14.06				
							
				JD224 ■	NJ951 32.00x50.00x8.00mm FPM NA5163 32.00x47.00x10.00mm FPM		

603	 88.00	Petrol					
AR 67303	6 Cyl.	2492cc	120kW (163)PS		TD9767	1243	
 		 KIT					
TB383 134x25.4							JD224 
							NJ951 32.00x50.00x8.00mm FPM

604	 88.00	Diesel					
VM-HR 588 HT	5 Cyl.	22:1	2493cc	76-77kW (103-105)PS		Turbocharged	TD158 1228
	OE	MAT.					
V91437  40.00 x 8.00 x 121.00	605 07 189	 MD cr	35°		VAG96187  55.00 x 8.02 x 14.06		
V91438  34.00 x 8.00 x 121.00	605 07 190	 MD cr	45°				

							
BK570 Fibre Composite, 1.420mm, 0 Notches (x5) BP260 Fibre Composite, 1.520mm, 2 Notches BK580 Fibre Composite, 1.620mm, 1 Notch (x5)	DK572 	GK571  [1] [2]	HBS106  M14x2.00x137.00mm (x5)	JC928  (x5) JD5144 JD025  (x5)	JN581		
	BK570, BP260, BK580						
[1] Without crankshaft seal	[1] sans bague d'étanchéité - vilebrequin	[1] senza paraolio-albero a gomiti	[1] sin cigüeñal retén				
[2] With cylinder sleeve ring	[2] avec deux bagues de chemises de cylindre	[2] con anello tenuta canna cilindro	[2] Con segmentos para camisa				

605	 92.00	Diesel					
VM 82 A	3 Cyl.	22:1	1779cc	54kW (73)PS		Turbocharged	TD153 1245
VM 96 A	3 Cyl.	22:1	1779cc	62kW (84)PS		Turbocharged	TD155 1245
	OE	MAT.					
V91437  40.00 x 8.00 x 121.00	605 07 189	 MD cr	35°		VAG96187  55.00 x 8.02 x 14.06		
V91438  34.00 x 8.00 x 121.00	605 07 190	 MD cr	45°				

							
BK570 Fibre Composite, 1.420mm, 0 Notches (x3) BP260 Fibre Composite, 1.520mm, 2 Notches BK580 Fibre Composite, 1.620mm, 1 Notch (x3)	DR040 		HBS107  M14x2.00x137.00mm (x8)	JC928  (x3) JD5144 (x3) JD025  (x3)  JF123			
	BK570, BP260, BK580						

606



92.00

Diesel



VM4HT 2.4

4 Cyl.

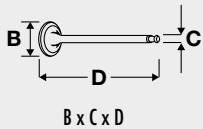
2393cc

69-70kW (94-95)PS

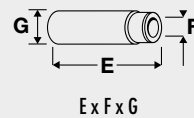
Turbocharged

TD159

1246

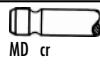


OE



V91437 ■
40.00 x 8.00 x 121.00

605 07 189



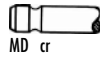
35°

VAG96187 ■ ■ ■
55.00 x 8.02 x 14.06

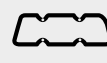


V91438 ■
34.00 x 8.00 x 121.00

605 07 190



45°



AN300 Fibre Composite
AY400 MLS, 1.420mm, 0 Notches
AY410 MLS, 1.520mm, 2 Notches
BP260 Fibre Composite, 1.520mm, 2 Notches
AY420 MLS, 1.620mm, 1 Notch

CN306
DC373 ▲
DK570 ▲○

GH857 ▲ [1]
GK570 ▲ [2]

HBS105 △
M14x2.00x137.00mm (x4)

JA840 ■
01/76 → 12/82
JC497 ■
01/83 → 12/84
JD5144
JA829 ■ (x4)



AN300

AY400, AY410, AY420

BP260

[1] Without crankshaft seal
[2] With cylinder sleeve ring

[1] sans bague d'étanchéité - vilebrequin
[2] avec deux bagues de chemises de cylindre

[1] senza paraolio-albero a gomiti
[2] con anello tenuta canna cilindro

[1] sin cigüeñal retén
[2] Con segmentos para camisa

607



92.00

Diesel



VM 81 A

4 Cyl.

22:1

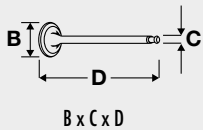
2393cc

81kW (110)PS

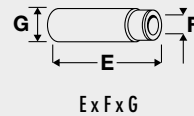
Turbocharged

TD152

1245

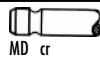


OE



V91437 ■
40.00 x 8.00 x 121.00

605 07 189



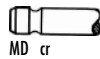
35°

VAG96187 ■ ■ ■
55.00 x 8.02 x 14.06

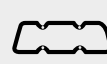


V91438 ■
34.00 x 8.00 x 121.00

605 07 190



45°



AY400 MLS, 1.420mm, 0 Notches
BK570 Fibre Composite, 1.420mm, 0 Notches (x4)
AY410 MLS, 1.520mm, 2 Notches
BP260 Fibre Composite, 1.520mm, 2 Notches
AY420 MLS, 1.620mm, 1 Notch
BK580 Fibre Composite, 1.620mm, 1 Notch (x4)

DK570 ▲○

GK570 ▲ [2]

HBS105 △
M14x2.00x137.00mm (x4)

JC928 ■
JD5144
JD025 ■ (x4)
○ JF123



AY400, AY410, AY420


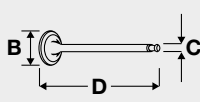
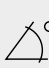

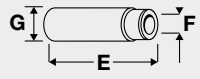





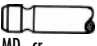







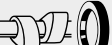






BK570, BP260, BK580


[2] With cylinder sleeve ring

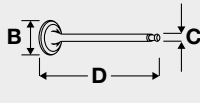
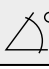

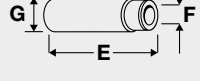



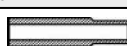









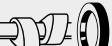


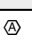

[2] avec deux bagues de chemises de cylindre

[2] con anello tenuta canna cilindro

[2] Con segmentos para camisa

608  92.00		Diesel						
VM 07 B	4 Cyl.	22:1	2499cc	92kW (125)PS	Turbocharged	TD149	1248	
	B x C x D	OE	MAT.	 		E x F x G		
V91437 	605 07 189		35°	VAG96187 				
40.00 x 8.00 x 121.00		MD cr		55.00 x 8.02 x 14.06				
V91438 	605 07 190		45°					
34.00 x 8.00 x 121.00		MD cr						
								
AY400 MLS, 1.420mm, 0 Notches AY410 MLS, 1.520mm, 2 Notches BP260 Fibre Composite, 1.520mm, 2 Notches AY420 MLS, 1.620mm, 1 Notch	DK570 	GK573 	HBS105  M14x2.00x137.00mm (x4) →12/92 HBS108  M14x2.00x137.00mm (x4) 01/93→	JD5144	JP068			
								
AY400, AY410, AY420	BP260							

609  92.00		Diesel						
VM 08 B	4 Cyl.	22:1	2499cc	92kW (125)PS	Turbocharged	TD9771	1248	
VM 31 B	4 Cyl.	22:1	2499cc	92-125kW (125-170)PS	Turbocharged	TD9768	1248	

	B x C x D	OE	MAT.	 		E x F x G		
V91437 	605 07 189		35°	VAG96187 				
40.00 x 8.00 x 121.00		MD cr		55.00 x 8.02 x 14.06				
V91438 	605 07 190		45°					
34.00 x 8.00 x 121.00		MD cr						
								
AY400 MLS, 1.420mm, 0 Notches AY410 MLS, 1.520mm, 2 Notches AY420 MLS, 1.620mm, 1 Notch	DK570 	GK573 	HBS105  M14x2.00x137.00mm (x4)	JD5144	JP068			
								
AY400, AY410, AY420								

FIAT GROUP

610

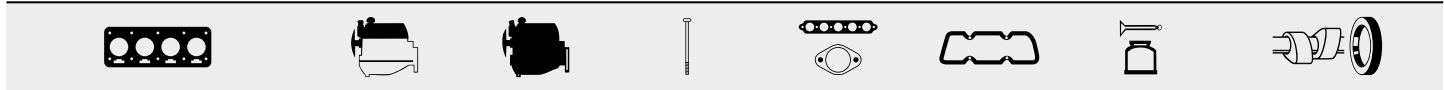
92.00

Diesel

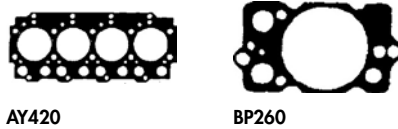


VM 32 B 4 Cyl. 22:1 2499cc **92kW (125)PS** **Turbocharged** TD127 **1248**

B x C x D	OE	MAT.		E x F x G
V91437	605 07 189		35°	VAG96187
40.00 x 8.00 x 121.00		MD cr		55.00 x 8.02 x 14.06
V91438	605 07 190		45°	
34.00 x 8.00 x 121.00		MD cr		



BP260 Fibre Composite, 1.520mm, 2 Notches **DK570** **GK573** **HBS105** M14x2.00x137.00mm (x4) **JD5144** **JP068**



611

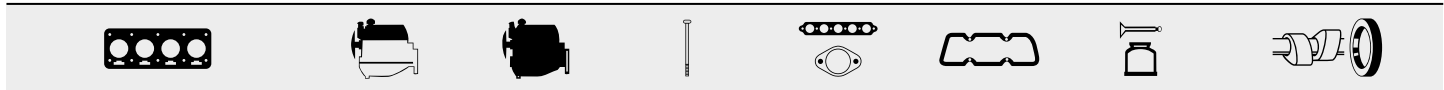
92.00

Diesel



VM 84 A 4 Cyl. 22:1 2499cc **84kW (114)PS** **Turbocharged** TD154 **1248**

B x C x D	OE	MAT.		E x F x G
V91437	605 07 189		35°	VAG96187
40.00 x 8.00 x 121.00		MD cr		55.00 x 8.02 x 14.06
V91438	605 07 190		45°	
34.00 x 8.00 x 121.00		MD cr		



AY400 MLS, 1.420mm, 0 Notches **DK570** →01/95 **GK572** **HBS105** M14x2.00x137.00mm (x4) **JC928** (x4) **JD5144**

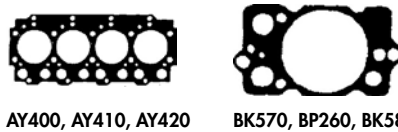
BK570 Fibre Composite, 1.420mm, 0 Notches (x4) →12/92

AY410 MLS, 1.520mm, 2 Notches

BP260 Fibre Composite, 1.520mm, 2 Notches

AY420 MLS, 1.620mm, 1 Notch

BK580 Fibre Composite, 1.620mm, 1 Notch (x4) **HBS108** M14x2.00x137.00mm (x4) 01/93→

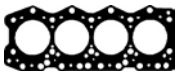


612	93.00	Diesel	
8144.61	4 Cyl.	21:1	2428cc
			53-55kW (72-75)PS
			TD4408 1250

TB135 152x30 Polychloroprene (Neoprene)	TBK045 Component No: TB135; AE1011TP;AE1010GP		KIT		

	OE	MAT.				
B x C x D						E x F x G
V91292 ■ 40.80 x 8.00 x 120.70	7 301 820	 MB cr	30°	Y	H	 VAG92193 ■ 56.00 x 8.04 x 13.05
V91293 ■ 34.50 x 8.00 x 122.00	7 301 821	 MD	45°			 VAG92373 ■ 56.00 x 8.03 x 13.04
V91294 ■ 34.50 x 8.00 x 122.00	7 302 157	 MF cr	45°		H	 VAG92444 ■ 56.00 x 8.00 x 13.04
						 VAG92194 ■ 60.00 x 8.04 x 13.05
						 VAG92369 ■ 60.00 x 8.00 x 13.07
						 VAG92445 ■ 60.00 x 8.00 x 13.04

BE580 Fibre Composite, 1.350mm	DE588 ▲	FY291 ▲ [1]	HBS011 ⊕ M12x1.25x119.00mm (x12)	JC054 ■ (x4) JC055 ■ (x4)	JN462 →Eng.574798 JN594 Eng.544799→	HR602 ■	NP068 55.00x70.00x8.00mm FPM



BE580
[1] Without crankshaft seal

[1] sans bague d'étanchéité - vilebrequin

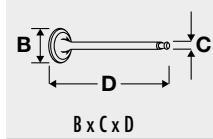
[1] senza paraolio-albero a gomiti

[1] sin cigüeñal retén

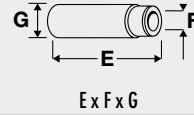
613


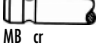





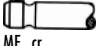





93.00
Diesel


8140.07.2710	4 Cyl.	18:1	2499cc	55kW (75)PS		TD27358	1277
8140.07.2711	4 Cyl.	18:1	2499cc	55kW (75)PS		TD27359	1277
8140.07.3711 Euro 1	4 Cyl.	19:1	2499cc	53kW (72)PS		TD27365	1277
8140.07.3712 Euro 1	4 Cyl.	19:1	2499cc	53kW (72)PS		TD27366	1277
8140.07.3713 Euro 1	4 Cyl.	19:1	2499cc	53kW (72)PS		TD27367	1277
8140.21	4 Cyl.	18:1	2445cc		Turbocharged	FM9103	1251
8140.21.201	4 Cyl.	18:1	2445cc	68kW (92)PS	Turbocharged	TD27368	1254
8140.21.202	4 Cyl.	18:1	2445cc	68kW (92)PS	Turbocharged	TD27369	1254
8140.21.203	4 Cyl.	18:1	2445cc	68kW (92)PS	Turbocharged	TD27370	1254
8140.21.212	4 Cyl.	18:1	2445cc	68kW (92)PS	Turbocharged	TD27371	1254
8140.21.212, 8140.21.290	4 Cyl.		2445cc		Turbocharged	FM9241	
8140.21.290	4 Cyl.	18:1	2445cc	68kW (92)PS	Turbocharged	TD27372	1254
8140.27.210, 8140.27.213	4 Cyl.	18:1	2445cc	77kW (105)PS	Turbocharged	FM9131	1256
8140.27.218	4 Cyl.	18:1	2445cc	77kW (105)PS	Turbocharged	FM19131	1257
8140.275.2811, 8140.275.3811	4 Cyl.	18:1	2499cc		Turbocharged	FM9265	
8140.67 (290B7W), 8144.67	4 Cyl.	22:1	2500cc			FM9170	1315



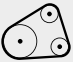





OE

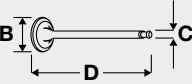
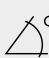


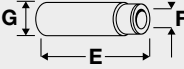
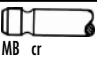
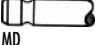
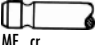

 MAT.







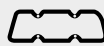

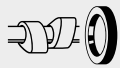
B x C x D	OE	MAT.	Angle	Material	Height	E x F x G
V91292 	7 301 820		30°	Y	H	VAG92193  56.00 x 8.04 x 13.05
40.80 x 8.00 x 120.70						
V91293 	7 301 821		45°			VAG92373  56.00 x 8.03 x 13.04
34.50 x 8.00 x 122.00						
V91294 	7 302 157		45°		H	VAG92444  56.00 x 8.00 x 13.04
34.50 x 8.00 x 122.00						VAG92194  60.00 x 8.04 x 13.05
						VAG92369  60.00 x 8.00 x 13.07
						VAG92445  60.00 x 8.00 x 13.04

614  **93.00** **Diesel** 

8140.21.200 4 Cyl. 18:1 2445cc 68kW (92)PS Turbocharged TD1703 1252

					
TB250 153x30 Eng. → 1307400					

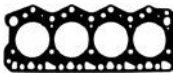
 B x C x D	OE	MAT.				 E x F x G
V91292 ■ 40.80 x 8.00 x 120.70	7 301 820	 MB cr	30°	Y	H	VAG92193 ■ 56.00 x 8.04 x 13.05
V91293 ■ 34.50 x 8.00 x 122.00	7 301 821	 MD	45°			VAG92373 ■ 56.00 x 8.03 x 13.04
V91294 ■ 34.50 x 8.00 x 122.00	7 302 157	 MF cr	45°		H	VAG92444 ■ 56.00 x 8.00 x 13.04
						VAG92194 ■ 60.00 x 8.04 x 13.05
						VAG92369 ■ 60.00 x 8.00 x 13.07
						VAG92445 ■ 60.00 x 8.00 x 13.04

							
AY581 Fibre Composite, 1.300mm AY591 Fibre Composite, 1.400mm AB5101 Fibre Composite, 1200mm AB5111 Fibre Composite, 1500mm	DS381 ▲	FB5100 ▲ [1]	HBS011 ⊕ M12x1.25x119.00mm (x12)	JC054 ■ JC055 ■ JF123	JN594	HR602 ■	NP068 55.00x70.00x8.00mm FPM NP067 50.00x70.00x10.00mm FPM



AB5101

[1] Without crankshaft seal



AB5111



AY581

[1] sans bague d'étanchéité - vilebrequin



AY591

[1] senza paraolio-albero a gomiti

[1] sin cigüeñal retén

615

93.00

Diesel



8140.21.200 D.I.

4 Cyl.

18:1

2445cc

68kW (92)PS

Turbocharged

TD143

1253

B x C x D	OE	MAT.				E x F x G	
V91292	7 301 820	 MB cr	30°	Y	H	VAG92193	
40.80 x 8.00 x 120.70						56.00 x 8.04 x 13.05	
V91293	7 301 821	 MD	45°			VAG92373	
34.50 x 8.00 x 122.00						56.00 x 8.03 x 13.04	
V91294	7 302 157	 MF cr	45°		H	VAG92444	
34.50 x 8.00 x 122.00						56.00 x 8.00 x 13.04	
						VAG92194	
						60.00 x 8.04 x 13.05	
						VAG92369	
						60.00 x 8.00 x 13.07	
						VAG92445	
						60.00 x 8.00 x 13.04	

BR071 Fibre Composite, 1200mm	DS381	FB5100 [1]	HBS011 $\text{\textcircled{I}}$	JC054 (x4)	JN594	HR602	NP068 55.00x70.00x8.00mm FPM
AB5111 Fibre Composite, 1500mm			M12x1.25x119.00mm (x12)				

AB5111	BR071						
[1] Without crankshaft seal		[1] sans bague d'étanchéité - vilebrequin		[1] senza paraolio-albero a gomiti		[1] sin cigüeñal retén	

616

93.00

Diesel



8140.21.214

4 Cyl.

18:1

2445cc

77kW (105)PS

Turbocharged

TD1704

1255

B x C x D	OE	MAT.				E x F x G	
V91292	7 301 820	 MB cr	30°	Y	H	VAG92193	
40.80 x 8.00 x 120.70						56.00 x 8.04 x 13.05	
V91293	7 301 821	 MD	45°			VAG92373	
34.50 x 8.00 x 122.00						56.00 x 8.03 x 13.04	
V91294	7 302 157	 MF cr	45°		H	VAG92444	
34.50 x 8.00 x 122.00						56.00 x 8.00 x 13.04	
						VAG92194	
						60.00 x 8.04 x 13.05	
						VAG92369	
						60.00 x 8.00 x 13.07	
						VAG92445	
						60.00 x 8.00 x 13.04	

AY591 Fibre Composite, 1.400mm	DR073	FB5102 [1]	HBS011 $\text{\textcircled{I}}$	JC054	JN594	HR602	NP068 55.00x70.00x8.00mm FPM
	DS381		M12x1.25x119.00mm (x12)				NP067 50.00x70.00x10.00mm FPM

AY591							
[1] Without crankshaft seal		[1] sans bague d'étanchéité - vilebrequin		[1] senza paraolio-albero a gomiti		[1] sin cigüeñal retén	

617	93.00	Diesel					
8140.27 S	4 Cyl.	18:1	2445cc	68kW (92)PS	Turbocharged	TD1705	1258

TB250 153x30 Eng. → 1307400					

 B x C x D	OE	MAT.					 E x F x G
V91292 ■ 40.80 x 8.00 x 120.70	7 301 820	 MB cr	30°	Y	H		VAG92193 ■ 56.00 x 8.04 x 13.05
V91293 ■ 34.50 x 8.00 x 122.00	7 301 821	 MD	45°				VAG92373 ■ 56.00 x 8.03 x 13.04
V91294 ■ 34.50 x 8.00 x 122.00	7 302 157	 MF cr	45°		H		VAG92444 ■ 56.00 x 8.00 x 13.04
							VAG92194 ■ 60.00 x 8.04 x 13.05
							VAG92369 ■ 60.00 x 8.00 x 13.07
							VAG92445 ■ 60.00 x 8.00 x 13.04

AY581 Fibre Composite, 1.300mm AY591 Fibre Composite, 1.400mm AB5101 Fibre Composite, 1200mm AB5111 Fibre Composite, 1500mm	DS381 ▲	FB5100 ▲ [1]	HBS011 Ⓢ M12x1.25x119.00mm (x12)	JC054 ■ JC055 ■ JF123	JN594	HR602 ■	NP068 55.00x70.00x8.00mm FPM

AB5101 [1] Without crankshaft seal	AB5111	AY581 [1] sans bague d'étanchéité - vilebrequin	AY591 [1] senza paraolio-albero a gomiti
			HR602 ■ [1] sin cigüeñal retén



8140.61 4 Cyl. 21:1 2445cc 53-55kW (72-75)PS TD1050 1260

TB135 152x30 Polychloroprene (Neoprene)	TBK045 Component No: TB135; AE1011TP;AE1010GP		KIT		

	OE	MAT.				
B x C x D						E x F x G
V91292 ■ 40.80 x 8.00 x 120.70	7 301 820		30°	Y	H	
V91293 ■ 34.50 x 8.00 x 122.00	7 301 821		45°			
V91294 ■ 34.50 x 8.00 x 122.00	7 302 157		45°		H	

AB5720 MLS, 1.100mm	CB5720 ▲	FB5721 ▲	HBS251 ⊕ M14x1.50x193.00mm (x6)	JD5338 ■ JD5337 ■	JM5201 (Steel Elastomer)	HR602 ■	NP068 55.00x70.00x8.00mm FPM
AB5730 MLS, 1.200mm							
AB5740 MLS, 1.300mm							



AB5720, AB5730, AB5740

619

93.00

Diesel



8140.61.200

4 Cyl.

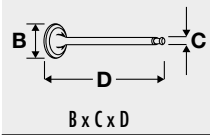
21:1

2445cc

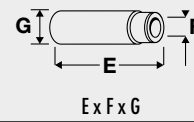
53kW (72)PS

TD144

1261



OE



B x C x D	OE	MAT.	Angle	Chamfer	Chamfer Type	E x F x G
V91292 ■	7 301 820		30°	Y	H	VAG92193 ■ 56.00 x 8.04 x 13.05
40.80 x 8.00 x 120.70						VAG92373 ■ 56.00 x 8.03 x 13.04
V91293 ■	7 301 821		45°			VAG92444 ■ 56.00 x 8.00 x 13.04
34.50 x 8.00 x 122.00						VAG92194 ■ 60.00 x 8.04 x 13.05
V91294 ■	7 302 157		45°		H	VAG92369 ■ 60.00 x 8.00 x 13.07
34.50 x 8.00 x 122.00						VAG92445 ■ 60.00 x 8.00 x 13.04

BE580 Fibre Composite, 1.350mm	DE588 ▲	FY291 ▲ [1]	HBS011 ① M12x1.25x119.00mm (x12)	JC054 ■ JC055 ■	JN594	HR602 ■ (x8)	NP068 55.00x70.00x8.00mm FPM NP067 50.00x70.00x10.00mm FPM



BE580

[1] Without crankshaft seal

[1] sans bague d'étanchéité - vilebrequin

[1] senza paraolio-albero a gomiti

[1] sin cigüeñal retén

620

93.00

Diesel



8140.61.200

4 Cyl.

21:1

2445cc

53kW (72)PS

TD7225

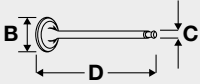
1262



KIT



TB135
152x30
Polychloroprene (Neoprene)

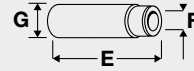


B x C x D

OE



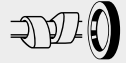
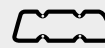
MAT.



E x F x G

B x C x D	OE	MAT.	Angle	Seal	Seal
V91292 ■	7 301 820	MB cr	30°	Y	H
40.80 x 8.00 x 120.70					
V91293 ■	7 301 821	MD	45°		
34.50 x 8.00 x 122.00					
V91294 ■	7 302 157	MF cr	45°		H
34.50 x 8.00 x 122.00					

VAG92193 ■	56.00 x 8.04 x 13.05	
VAG92373 ■	56.00 x 8.03 x 13.04	
VAG92444 ■	56.00 x 8.00 x 13.04	
VAG92194 ■	60.00 x 8.04 x 13.05	
VAG92369 ■	60.00 x 8.00 x 13.07	
VAG92445 ■	60.00 x 8.00 x 13.04	



BE580 Fibre Composite, 1.350mm

FY291 ▲ [1]

HBS011 ①
M12x1.25x119.00mm (x12)

JC054 ■
JC055 ■

JN594

HR602 ■

NP067 ■
50.00x70.00x10.00mm FPM



BE580

[1] Without crankshaft seal

[1] sans bague d'étanchéité - vilebrequin

[1] senza paraolio-albero a gomiti

[1] sin cigüeñal retén

621

93.00

Diesel



8140.61.204

4 Cyl.

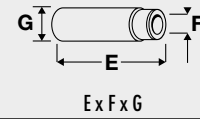
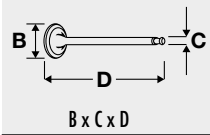
21:1

2445cc

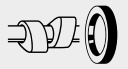
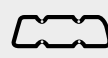
53kW (72)PS

TD1051

1259



B x C x D	OE	MAT.	30°	Y	H	E x F x G
V91292 ■ 40.80 x 8.00 x 120.70	7 301 820		30°	Y	H	VAG92193 ■ 56.00 x 8.04 x 13.05
V91293 ■ 34.50 x 8.00 x 122.00	7 301 821		45°			VAG92373 ■ 56.00 x 8.03 x 13.04
V91294 ■ 34.50 x 8.00 x 122.00	7 302 157		45°		H	VAG92444 ■ 56.00 x 8.00 x 13.04
						VAG92194 ■ 60.00 x 8.04 x 13.05
						VAG92369 ■ 60.00 x 8.00 x 13.07
						VAG92445 ■ 60.00 x 8.00 x 13.04



BE580 Fibre Composite, 1.350mm 01/79 → →Eng.1051188	DS381 ▲	FB5721 ▲		JC054 ■ JC055 ■	JN462 01/79 → →Eng.1051188 JN594 01/89 →	HR602 ■	NP068 55.00x70.00x8.00mm FPM
AY290 Fibre Composite, 1.600mm 01/89 → Eng.1051189 →							
AY300 Fibre Composite, 1.700mm 01/89 → Eng.1051189 →							
AY310 Fibre Composite, 1.800mm 01/89 → Eng.1051189 →							



AY290, AY300, AY310

BE580

FIAT GROUP

622

 **93.00**

Diesel



8140.61.300

4 Cyl.

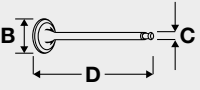
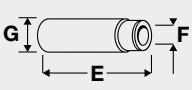








21:1

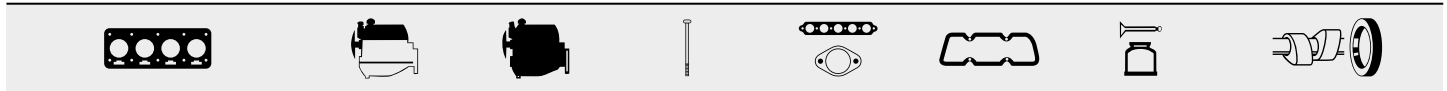
2445cc


53kW (72)PS

TD20426

1263

							
B x C x D	OE	MAT.	Angle	Seal	Part	E x F x G	
V90402 ■	4 733 348		30°		H	VAG92373 ■	
41.00 x 8.00 x 122.00		MG				56.00 x 8.03 x 13.04	
V91292 ■	7 301 820		30°	Y	H	VAG92444 ■	
40.80 x 8.00 x 120.70		MB cr				56.00 x 8.00 x 13.04	
V90404 ■	4 733 349		45°		H	VAG92369 ■	
33.00 x 8.00 x 122.00		MG				60.00 x 8.00 x 13.07	
V91293 ■	7 301 821		45°			VAG92445 ■	
34.50 x 8.00 x 122.00		MD				60.00 x 8.00 x 13.04	



BE580 Fibre Composite, 1.350mm		FY291 ▲ [1]	HB5011 ⊕ M12x1.25x119.00mm (x12)	JC054 ■ JC055 ■	JN594	NP068 55.00x70.00x8.00mm FPM
---------------------------------------	---	--------------------	--	----------------------------------	--------------	--



BE580
 [1] Without crankshaft seal [1] sans bague d'étanchéité - vilebrequin [1] senza paraolio-albero a gomiti [1] sin cigüeñal retén

623

 **93.00**

Diesel



8142.61

4 Cyl.

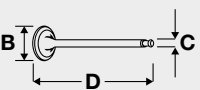
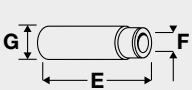
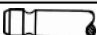
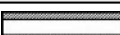




21:1

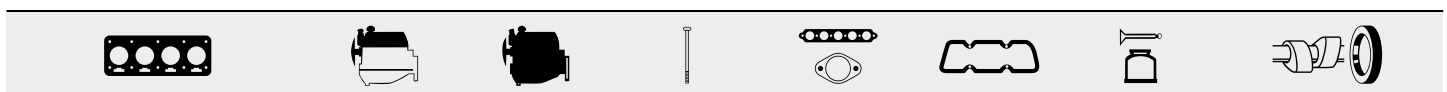
2445cc

53kW (72)PS

TD1053

1264

							
B x C x D	OE	MAT.	Angle	Seal	Part	E x F x G	
V90402 ■	4 733 348		30°		H	VAG92193 ■	
41.00 x 8.00 x 122.00		MG				56.00 x 8.04 x 13.05	
V90404 ■	4 733 349		45°		H	VAG92444 ■	
33.00 x 8.00 x 122.00		MG				56.00 x 8.00 x 13.04	
						VAG92194 ■	
						60.00 x 8.04 x 13.05	
						VAG92445 ■	
						60.00 x 8.00 x 13.04	



BE580 Fibre Composite, 1.350mm				JC054 ■		NP068 55.00x70.00x8.00mm FPM
---------------------------------------	--	--	--	----------------	--	--



BE580

624	93.00	Diesel					
8144.21	4 Cyl.	18:1	2445cc	68kW (92)PS	Turbocharged	TD4419	1265

TB250 153x30 09/86→	TBK063 09/86→ Component No: TB250; AE1010GP				

	OE	MAT.				
B x C x D						E x F x G
V91292	7 301 820	 MB cr	30°	Y	H	VAG92193 56.00 x 8.04 x 13.05
V91293	7 301 821	 MD	45°			VAG92373 56.00 x 8.03 x 13.04
V91294	7 302 157	 MF cr	45°		H	VAG92444 56.00 x 8.00 x 13.04
						VAG92194 60.00 x 8.04 x 13.05
						VAG92369 60.00 x 8.00 x 13.07
						VAG92445 60.00 x 8.00 x 13.04

BR071 Fibre Composite, 1200mm	DS381 ▲	FB5100 ▲ [1]	HBS011 Ⓢ M12x1.25x119.00mm (x12)	JC054 JC055	JN594	HR602	NP068 55.00x70.00x8.00mm FPM



BR071

[1] Without crankshaft seal [1] sans bague d'étanchéité - vilebrequin [1] senza paraolio-albero a gomiti [1] sin cigüeñal retén

625

93.00

Diesel



8144.21.220

4 Cyl.

18:1

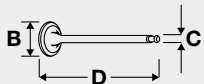
2445cc

68kW (92)PS

Turbocharged

TD145

1253



B x C x D

OE

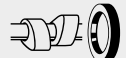
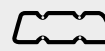


MAT.



E x F x G

V91292 ■ 40.80 x 8.00 x 120.70	7 301 820	MB cr	30°	Y	H	VAG92193 ■ 56.00 x 8.04 x 13.05	
V91293 ■ 34.50 x 8.00 x 122.00	7 301 821	MD	45°			VAG92373 ■ 56.00 x 8.03 x 13.04	
V91294 ■ 34.50 x 8.00 x 122.00	7 302 157	MF cr	45°		H	VAG92444 ■ 56.00 x 8.00 x 13.04	
						VAG92194 ■ 60.00 x 8.04 x 13.05	
						VAG92369 ■ 60.00 x 8.00 x 13.07	
						VAG92445 ■ 60.00 x 8.00 x 13.04	



BR071 Fibre Composite, 1200mm

DS381 ▲

FB5100 ▲ [1]

HBS011 Ⓢ
M12x1.25x119.00mm (x12)

JC054 ■

JN594

HR602 ■

NP068
55.00x70.00x8.00mm FPM



BR071

[1] Without crankshaft seal

[1] sans bague d'étanchéité - vilebrequin

[1] senza paraolio-albero a gomiti

[1] sin cigüeñal retén

626	93.00	Diesel					
8144.21.220	4 Cyl.	18:1	2445cc	68kW (92)PS	Turbocharged	TD6803	1266
TB250 153x30	TBK063 Component No: TB250; AE1010GP						

	OE	MAT.				
B x C x D						E x F x G
V91292 ■ 40.80 x 8.00 x 120.70	7 301 820	 MB cr	30°	Y	H	VAG92193 ■ 56.00 x 8.04 x 13.05
V91293 ■ 34.50 x 8.00 x 122.00	7 301 821	 MD	45°			VAG92373 ■ 56.00 x 8.03 x 13.04
V91294 ■ 34.50 x 8.00 x 122.00	7 302 157	 MF cr	45°		H	VAG92444 ■ 56.00 x 8.00 x 13.04
						VAG92194 ■ 60.00 x 8.04 x 13.05
						VAG92369 ■ 60.00 x 8.00 x 13.07
						VAG92445 ■ 60.00 x 8.00 x 13.04

BR071 Fibre Composite, 1200mm		FB5100 ▲ [1]	HBS011 ⊕ M12x1.25x119.00mm (x12)	JC054 ■ JC055 ■ JC706 ■ (x3)	JN594	HR602 ■	NP068 55.00x70.00x8.00mm FPM NP067 50.00x70.00x10.00mm FPM



BR071

[1] Without crankshaft seal

[1] sans bague d'étanchéité - vilebrequin

[1] senza paraolio-albero a gomiti

[1] sin cigüeñal retén

627	93.00	Diesel				
8144.61	4 Cyl.	22:1	2445cc	53kW (72)PS	FM566	1267
	OE	MAT.				
B x C x D						E x F x G
V91292 ■ 40.80 x 8.00 x 120.70	7 301 820	 MB cr	30°	Y	H	VAG92193 ■ 56.00 x 8.04 x 13.05
V90404 ■ 33.00 x 8.00 x 122.00	4 733 349	 MG	45°		H	VAG92373 ■ 56.00 x 8.03 x 13.04
V91293 ■ 34.50 x 8.00 x 122.00	7 301 821	 MD	45°			VAG92444 ■ 56.00 x 8.00 x 13.04
						VAG92194 ■ 60.00 x 8.04 x 13.05
						VAG92369 ■ 60.00 x 8.00 x 13.07
						VAG92445 ■ 60.00 x 8.00 x 13.04

628

93.00

Diesel



8144.61.200

4 Cyl.

22:1

2445cc

53kW (72)PS

TD6796

1268

B x C x D	OE	MAT.			E x F x G	
V90402 ■	4 733 348	MG	30°	H	VAG92193 ■	
41.00 x 8.00 x 122.00					56.00 x 8.04 x 13.05	
V91292 ■	7 301 820	MB cr	30°	Y	VAG92373 ■	
40.80 x 8.00 x 120.70					56.00 x 8.03 x 13.04	
V90404 ■	4 733 349	MG	45°	H	VAG92444 ■	
33.00 x 8.00 x 122.00					56.00 x 8.00 x 13.04	
V91293 ■	7 301 821	MD	45°		VAG92194 ■	
34.50 x 8.00 x 122.00					60.00 x 8.04 x 13.05	
					VAG92369 ■	
					60.00 x 8.00 x 13.07	
					VAG92445 ■	
					60.00 x 8.00 x 13.04	

BE580 Fibre Composite, 1.350mm	DE588 ▲	FY291 ▲ [1]	HBS011 ⊕ M12x1.25x119.00mm (x12)	JC054 ■ JC055 ■	JN462 →Eng.574798 JN594	HR662 ■	NP068 55.00x70.00x8.00mm FPM



BE580
 [1] Without crankshaft seal [1] sans bague d'étanchéité - vilebrequin [1] senza paraolio-albero a gomiti [1] sin cigüeñal retén

629

93.00

Diesel



8144.61.200

4 Cyl.

22:1

2445cc

53kW (72)PS

TD20429

1269

B x C x D	OE	MAT.			E x F x G	
V90402 ■	4 733 348	MG	30°	H	VAG92193 ■	
41.00 x 8.00 x 122.00					56.00 x 8.04 x 13.05	
V91292 ■	7 301 820	MB cr	30°	Y	VAG92373 ■	
40.80 x 8.00 x 120.70					56.00 x 8.03 x 13.04	
V90404 ■	4 733 349	MG	45°	H	VAG92444 ■	
33.00 x 8.00 x 122.00					56.00 x 8.00 x 13.04	
V91293 ■	7 301 821	MD	45°		VAG92194 ■	
34.50 x 8.00 x 122.00					60.00 x 8.04 x 13.05	
					VAG92369 ■	
					60.00 x 8.00 x 13.07	
					VAG92445 ■	
					60.00 x 8.00 x 13.04	

				JC054 ■			
--	--	--	--	---------	--	--	--

630	93.00	Diesel							
8144.61.200	4 Cyl.	22:1	2445cc	53kW (72)PS				TD146	1261

B x C x D	OE	MAT.				E x F x G	
V90402	4 733 348		30°		H	VAG92193	
41.00 x 8.00 x 122.00		MG				56.00 x 8.04 x 13.05	
V91292	7 301 820		30°	Y	H	VAG92373	
40.80 x 8.00 x 120.70		MB cr				56.00 x 8.03 x 13.04	
V90404	4 733 349		45°		H	VAG92444	
33.00 x 8.00 x 122.00		MG				56.00 x 8.00 x 13.04	
V91293	7 301 821		45°			VAG92194	
34.50 x 8.00 x 122.00		MD				60.00 x 8.04 x 13.05	
						VAG92369	
						60.00 x 8.00 x 13.07	
						VAG92445	
						60.00 x 8.00 x 13.04	

BE580 Fibre Composite, 1.350mm	DE588 ▲	FY291 ▲ [1]	HBS011 M12x1.25x119.00mm (x12)	JC054 JC055	JN594	HR602 (x8) HR782	NPO68 55.00x70.00x8.00mm FPM



BE580

[1] Without crankshaft seal

[1] sans bague d'étanchéité - vilebrequin

[1] senza paraolio-albero a gomiti

[1] sin cigüeñal retén

631	93.00	Diesel							
8144.61.500.81	4 Cyl.	22:1	2445cc	66kW (90)PS	Turbocharged			TD1054	1270

TB135 152x30 Polychloroprene (Neoprene)	TBK045 Component No: TB135; AE1011TP;AE1010GP		KIT			

B x C x D	OE	MAT.				E x F x G	
V90402	4 733 348		30°		H	VAG92193	
41.00 x 8.00 x 122.00		MG				56.00 x 8.04 x 13.05	
V91292	7 301 820		30°	Y	H	VAG92373	
40.80 x 8.00 x 120.70		MB cr				56.00 x 8.03 x 13.04	
V90404	4 733 349		45°		H	VAG92444	
33.00 x 8.00 x 122.00		MG				56.00 x 8.00 x 13.04	
V91293	7 301 821		45°			VAG92194	
34.50 x 8.00 x 122.00		MD				60.00 x 8.04 x 13.05	
						VAG92369	
						60.00 x 8.00 x 13.07	
						VAG92445	
						60.00 x 8.00 x 13.04	

DE588 ▲	HBS011 M12x1.25x119.00mm (x12)	JC055	JN594	NPO68 55.00x70.00x8.00mm FPM

632

 **93.00**

Diesel



8144.81.2000

4 Cyl.

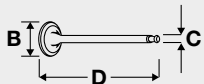
22:1

2445cc

66-74kW (90-101)PS

TD1057

1259



B x C x D

OE



MAT.



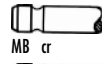
30°

Y

H

V91292 ■
40.80 x 8.00 x 120.70

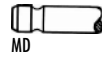
7 301 820



MB cr

V91293 ■
34.50 x 8.00 x 122.00

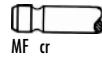
7 301 821



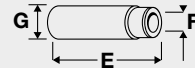
MD

V91294 ■
34.50 x 8.00 x 122.00

7 302 157



MF cr



E x F x G

VAG92193 ■

56.00 x 8.04 x 13.05

VAG92373 ■

56.00 x 8.03 x 13.04

VAG92444 ■

56.00 x 8.00 x 13.04

VAG92194 ■

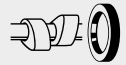
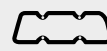
60.00 x 8.04 x 13.05

VAG92369 ■

60.00 x 8.00 x 13.07

VAG92445 ■

60.00 x 8.00 x 13.04



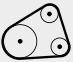

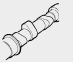



BE580 Fibre Composite, 1.350mm

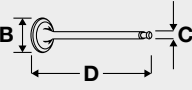



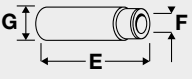

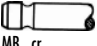







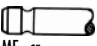








JC054 ■






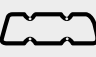



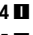
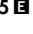



BE580

633	 93.00	Diesel					
8144.91	4 Cyl.	22:1	2445cc	74kW (101)PS	Turbocharged	TD4600	1271

					
TB348					
99x19					

	OE	MAT.				
B x C x D						E x F x G
V91292 	7 301 820	 MB cr	30°	Y	H	 VAG92193 
40.80 x 8.00 x 120.70						56.00 x 8.04 x 13.05
V91293 	7 301 821	 MD	45°			 VAG92373 
34.50 x 8.00 x 122.00						56.00 x 8.03 x 13.04
V91294 	7 302 157	 MF cr	45°		H	 VAG92444 
34.50 x 8.00 x 122.00						56.00 x 8.00 x 13.04
						 VAG92194 
						60.00 x 8.04 x 13.05
						 VAG92369 
						60.00 x 8.00 x 13.07
						 VAG92445 
						60.00 x 8.00 x 13.04

							
BR090 Fibre Composite, 1.800mm	DP273 ▲	FB5722 ▲	HBS011  M12x1.25x119.00mm (x12)	JC054  JC055 	JN585	HR602 	NF841 35.00x50.00x8.00mm FPM NPO68 55.00x70.00x8.00mm FPM



BR090

634

 **93.00**

Diesel



8144.91.2000

4 Cyl.

22:1

2445cc

74kW (101)PS

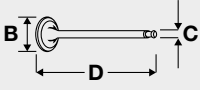
Turbo Intercooled

TD1058

1272



TB348
99x19



B x C x D

OE



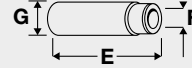
MAT.




30°

Y

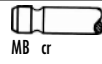
H




E x F x G

V91292 
40.80 x 8.00 x 120.70

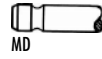
7 301 820




MB cr

V91293 
34.50 x 8.00 x 122.00

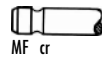
7 301 821




MD

V91294 
34.50 x 8.00 x 122.00


7 302 157




MF cr

VAG92193 
56.00 x 8.04 x 13.05




VAG92373 
56.00 x 8.03 x 13.04




VAG92444 
56.00 x 8.00 x 13.04




VAG92194 
60.00 x 8.04 x 13.05



VAG92369 
60.00 x 8.00 x 13.07



VAG92445 
60.00 x 8.00 x 13.04



DP273 



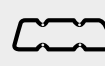
HBS011 
M12x1.25x119.00mm (x12)



JC054 
JC055 




JN585





HR602 



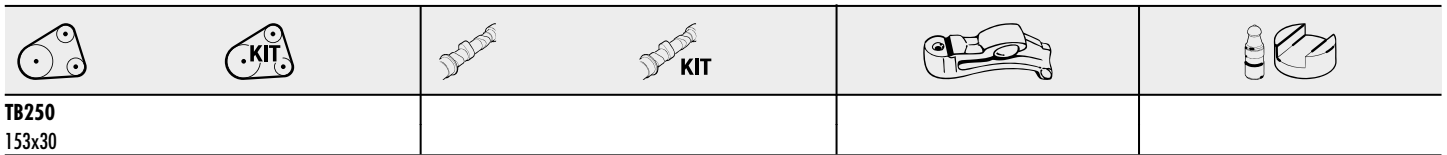
NP068 
55.00x70.00x8.00mm FPM

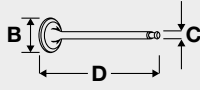
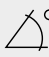

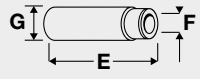














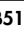





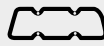


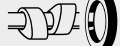





BR090



635  **93.00 Diesel** 

8140.07.2700 4 Cyl. 18:1 2499cc 55kW (75)PS TD1700 1275

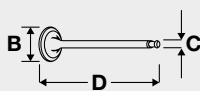


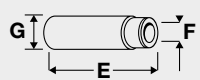

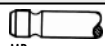



















 B x C x D				OE	MAT.	 30°	 45°	H	 E x F x G	
V91399 	4 813 760		30°	H	VAG92193 					
41.00 x 8.00 x 122.00		MB			VAG92373 					
V91400 	7 303 309		45°	H	VAG92369 					
34.50 x 8.00 x 122.00		MG			VAG92445 					
					60.00 x 8.00 x 13.07					
					60.00 x 8.00 x 13.04					

 AY581 Fibre Composite, 1.300mm AY591 Fibre Composite, 1.400mm AB5101 Fibre Composite, 1200mm AB5111 Fibre Composite, 1500mm	 DS381 	 FB5101  [1]	 HBS011  M12x1.25x119.00mm (x12)	 JC054  JC055 	 JN594	 HR602 	 NPO68 55.00x70.00x8.00mm FPM NPO67 50.00x70.00x10.00mm FPM
 AB5101 [1] Without crankshaft seal	 AB5111	 AY581 [1] sans bague d'étanchéité - vilebrequin	 AY591 [1] senza paraolio-albero a gomiti			 HR602 [1] sin cigüeñal retén	

636  **93.00 Diesel** 

8140.07.2701 4 Cyl. 18:1 2499cc 55kW (75)PS TD1701 1276

 B x C x D				OE	MAT.	 30°	 45°	H	 E x F x G	
V91399 	4 813 760		30°	H	VAG92193 					
41.00 x 8.00 x 122.00		MB			VAG92373 					
V91400 	7 303 309		45°	H	VAG92369 					
34.50 x 8.00 x 122.00		MG			VAG92445 					
					60.00 x 8.00 x 13.07					
					60.00 x 8.00 x 13.04					

 AY581 Fibre Composite, 1.300mm AY591 Fibre Composite, 1.400mm AB5101 Fibre Composite, 1200mm AB5111 Fibre Composite, 1500mm			 HBS011  M12x1.25x119.00mm (x12)	 JC054  JC055 			 NPO68 55.00x70.00x8.00mm FPM NPO67 50.00x70.00x10.00mm FPM
 AB5101	 AB5111	 AY581	 AY591				

FIAT GROUP

637



93.00

Diesel



8140.07.2712

4 Cyl.

18:1

2499cc

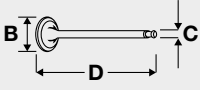
55kW (75)PS

TD1702

1278



TB250
153x30



B x C x D

OE



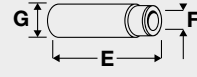
MAT.



30°



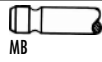
H



E x F x G

V91399 ■
41.00 x 8.00 x 122.00

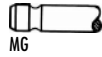
4 813 760



MB

V91400 ■
34.50 x 8.00 x 122.00

7 303 309



MG

45°

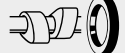
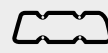
H

VAG92193 ■
56.00 x 8.04 x 13.05

VAG92373 ■
56.00 x 8.03 x 13.04

VAG92369 ■
60.00 x 8.00 x 13.07

VAG92445 ■
60.00 x 8.00 x 13.04



AY581 Fibre Composite, 1.300mm
AY591 Fibre Composite, 1.400mm
AB5101 Fibre Composite, 1200mm
AB5111 Fibre Composite, 1500mm

DS381 ▲

FB5101 ▲ [1]

HBS011 ⊕
M12x1.25x119.00mm (x12)

JC054 ■
JC055 ■

JN594

HR602 ■

NP068
55.00x70.00x8.00mm FPM



AB5101

AB5111

AY581

AY591

[1] Without crankshaft seal

[1] sans bague d'étanchéité - vilebrequin

[1] senza paraolio-albero a gomiti

[1] sin cigüeñal retén

638



93.00

Diesel



8140.07.3710 Euro 1

4 Cyl.

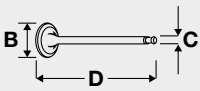
19:1

2499cc

53kW (72)PS

TD20418

1280



B x C x D

OE



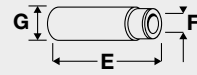
MAT.



30°



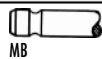
H



E x F x G

V91399 ■
41.00 x 8.00 x 122.00

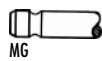
4 813 760



MB

V91400 ■
34.50 x 8.00 x 122.00

7 303 309



MG

45°

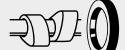
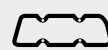
H

VAG92193 ■
56.00 x 8.04 x 13.05

VAG92373 ■
56.00 x 8.03 x 13.04

VAG92369 ■
60.00 x 8.00 x 13.07

VAG92445 ■
60.00 x 8.00 x 13.04



AY591 Fibre Composite, 1.400mm

DS381 ▲

JC054 ■
JC055 ■


JN594

NP068
55.00x70.00x8.00mm FPM



AY591

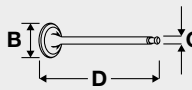

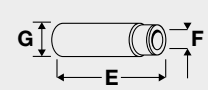
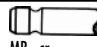
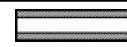
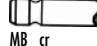

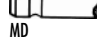

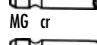

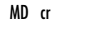


639

 **93.00**

Diesel



8140.27.215	4 Cyl.	18.5:1	2499cc	76kW (103)PS	Turbocharged	TD27387	1277
8140.27.218	4 Cyl.	18.5:1	2499cc	76kW (103)PS	Turbocharged	TD26268	1281
8140.27S.2701	4 Cyl.	18:1	2499cc	76kW (103)PS	Turbocharged	TD27396	1277
8140.27S.2710	4 Cyl.	18:1	2499cc	76kW (103)PS	Turbocharged	TD27397	1277
8140.27S.2711	4 Cyl.	18:1	2499cc	76kW (103)PS	Turbocharged	TD27398	1277
8140.27S.2720	4 Cyl.	18:1	2499cc	76kW (103)PS	Turbocharged	TD27399	1277
8140.27S.2721	4 Cyl.	18:1	2499cc	76kW (103)PS	Turbocharged	TD27400	1277
8140.27S.2730	4 Cyl.	18:1	2499cc	76kW (103)PS	Turbocharged	TD27401	1277
8140.27S.2731	4 Cyl.	18:1	2499cc	76kW (103)PS	Turbocharged	TD27402	1277
8140.27S.2750	4 Cyl.	18:1	2499cc	76kW (103)PS	Turbocharged	TD27403	1277
8140.27S.2770	4 Cyl.	18:1	2499cc	76kW (103)PS	Turbocharged	TD27407	1277
8140.27S.2771	4 Cyl.	18:1	2499cc	76kW (103)PS	Turbocharged	TD27408	1277
8140.27S.2811	4 Cyl.	18:1	2499cc	76kW (103)PS	Turbocharged	TD27409	1277
8140.27S.3701	4 Cyl.	18.5:1	2499cc	77kW (104)PS	Turbocharged	TD27411	1277
8140.27S.3711	4 Cyl.	18.5:1	2499cc	77kW (104)PS	Turbocharged	TD27412	1277
8140.27S.3720	4 Cyl.	18.5:1	2499cc	77kW (104)PS	Turbocharged	TD27413	1277
8140.27S.3721	4 Cyl.	18.5:1	2499cc	77kW (104)PS	Turbocharged	TD27414	1277
8140.27S.3750	4 Cyl.	18.5:1	2499cc	77kW (104)PS	Turbocharged	TD27415	1277
8140.27S.3751	4 Cyl.	18.5:1	2499cc	77kW (104)PS	Turbocharged	TD27416	1277
8140.27S.3760	4 Cyl.	18.5:1	2499cc	77kW (104)PS	Turbocharged	TD27419	1277
8140.27S.3761	4 Cyl.	18.5:1	2499cc	77kW (104)PS	Turbocharged	TD27420	1277
8140.27S.3771	4 Cyl.	18.5:1	2499cc	77kW (104)PS	Turbocharged	TD27423	1277
8140.27S.3780	4 Cyl.	18.5:1	2499cc	77kW (104)PS	Turbocharged	TD27424	1277
8140.47.3721 Euro I	4 Cyl.	18.5:1	2499cc	85kW (116)PS	Turbo Intercooled	TD26006	1296
8140.47B.3790 Euro I	4 Cyl.	18.5:1	2499cc	78-83kW (106-113)PS	Turbo Intercooled	TD26008	1296
8140.47B.3795 Euro I	4 Cyl.	18.5:1	2499cc	78-83kW (106-113)PS	Turbo Intercooled	TD26009	1296
8140.47R.2795	4 Cyl.	18.5:1	2499cc	80kW (109)PS	Turbo Intercooled	TD26010	1296

							
B x C x D	OE	MAT.				E x F x G	
V91292 ■ 40.80 x 8.00 x 120.70	7 301 820	 MB cr	30°	Y	H	VAG92193 ■ 56.00 x 8.04 x 13.05	
V91939 ■ 43.50 x 8.00 x 122.00	98 468 338	 MB cr	30°		H	VAG92373 ■ 56.00 x 8.03 x 13.04	
V91293 ■ 34.50 x 8.00 x 122.00	7 301 821	 MD	45°			VAG92444 ■ 56.00 x 8.00 x 13.04	
V91940 ■ 36.70 x 8.00 x 122.00	98 418 161	 MG cr	45°		H	VAG92194 ■ 60.00 x 8.04 x 13.05	
V91994 ■ 35.80 x 8.00 x 121.90	99 432 837	 MD cr	45°			VAG92369 ■ 60.00 x 8.00 x 13.07	
						VAG92445 ■ 60.00 x 8.00 x 13.04	

640

 **93.00**

Diesel



8140.27.2582

4 Cyl.

18.5:1

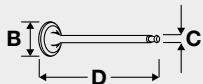
2499cc

74-79kW (101-107)PS

Turbocharged

TD7260

1282

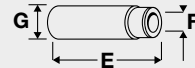


B x C x D







OE















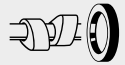
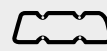
MAT.



E x F x G

V91292 	7 301 820		30°	Y	H
40.80 x 8.00 x 120.70		MB cr			
V91293 	7 301 821		45°		
34.50 x 8.00 x 122.00		MD			
V91294 	7 302 157		45°		H
34.50 x 8.00 x 122.00		MF cr			

VAG92193 	
56.00 x 8.04 x 13.05	
VAG92373 	
56.00 x 8.03 x 13.04	
VAG92444 	
56.00 x 8.00 x 13.04	
VAG92194 	
60.00 x 8.04 x 13.05	
VAG92369 	
60.00 x 8.00 x 13.07	
VAG92445 	
60.00 x 8.00 x 13.04	



DS381 ▲

JC054 ■

641

93.00

Diesel



8140.27.2700	4 Cyl.	18:1	2499cc	76kW (103)PS	Turbocharged	TD1706	1283
8140.27.2720	4 Cyl.	18:1	2499cc	76kW (103)PS		TD1707	1284
8140.47.2711 Euro 1	4 Cyl.	18:1	2499cc	85kW (116)PS	Turbocharged	TD1712	1292

TB250 153x30 Eng.→1307400					

	OE	MAT.				
B x C x D						E x F x G
V91292 ■ 40.80 x 8.00 x 120.70	7 301 820	 MB cr	30°	Y	H	 VAG92193 ■ 56.00 x 8.04 x 13.05
V91293 ■ 34.50 x 8.00 x 122.00	7 301 821	 MD	45°			 VAG92373 ■ 56.00 x 8.03 x 13.04
V91294 ■ 34.50 x 8.00 x 122.00	7 302 157	 MF cr	45°		H	 VAG92444 ■ 56.00 x 8.00 x 13.04
						 VAG92194 ■ 60.00 x 8.04 x 13.05
						 VAG92369 ■ 60.00 x 8.00 x 13.07
						 VAG92445 ■ 60.00 x 8.00 x 13.04

AY581 Fibre Composite, 1.300mm	DS381 ▲	FB5101 ▲ [1]	HBS011 ◊ M12x1.25x119.00mm (x12)	JC054 ■ JC055 ■	JN594	HR602 ■	NP068 55.00x70.00x8.00mm FPM
AY591 Fibre Composite, 1.400mm							
AB5101 Fibre Composite, 1200mm							
AB5111 Fibre Composite, 1500mm							

AB5101	AB5111	AY581	AY591				
[1] Without crankshaft seal		[1] sans bague d'étanchéité - vilebrequin	[1] senza paraolio-albero a gomiti			[1] sin cigüeñal retén	

642



93.00

Diesel



8140.27.2811

4 Cyl.

18:1

2499cc

76kW (103)PS

TD1708

1285

B x C x D	OE	MAT.				E x F x G
V91292 ■	7 301 820		30°	Y	H	
40.80 x 8.00 x 120.70						
V91293 ■	7 301 821		45°			
34.50 x 8.00 x 122.00						
V91294 ■	7 302 157		45°		H	
34.50 x 8.00 x 122.00						

AY591 Fibre Composite, 1.400mm	DS381 ▲	JC054 ■ JC055 ■	JN594
AB5111 Fibre Composite, 1500mm			
AB5111	AY591		

643



93.00

Diesel



8140.27R.2700

4 Cyl.

18:1

2499cc

67-70kW (92-95)PS


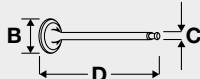




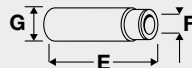
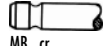

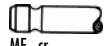



Turbocharged


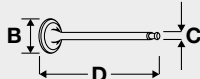




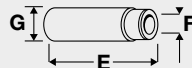
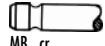









TD20420




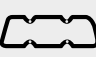
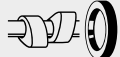
1286

B x C x D	OE	MAT.				E x F x G
V91292 ■	7 301 820		30°	Y	H	
40.80 x 8.00 x 120.70						
V91293 ■	7 301 821		45°			
34.50 x 8.00 x 122.00						
V91294 ■	7 302 157		45°		H	
34.50 x 8.00 x 122.00						

AY591 Fibre Composite, 1.400mm	DS381 ▲	JC054 ■ JC055 ■	JN594
AY591			

644  93.00		Diesel							
8140.27R.2700, 8140.27S.2700 4 Cyl.		18:1	2499cc	Turbocharged		FM9102	1257		
									
B x C x D	OE	MAT.					E x F x G		
V91292 ■ 40.80 x 8.00 x 120.70	7 301 820	 MB cr	30°	Y	H		VAG92373 ■ 56.00 x 8.03 x 13.04		
V91294 ■ 34.50 x 8.00 x 122.00	7 302 157	 MF cr	45°		H		VAG92444 ■ 56.00 x 8.00 x 13.04		
							VAG92369 ■ 60.00 x 8.00 x 13.07		
							VAG92445 ■ 60.00 x 8.00 x 13.04		

645  93.00		Diesel							
8140.27R.2782		4 Cyl.	18:1	2499cc	70kW (96)PS	Turbocharged		TD1710	1287
									
B x C x D	OE	MAT.					E x F x G		
V91292 ■ 40.80 x 8.00 x 120.70	7 301 820	 MB cr	30°	Y	H		VAG92193 ■ 56.00 x 8.04 x 13.05		
V91399 ■ 41.00 x 8.00 x 122.00	4 813 760	 MB	30°		H		VAG92373 ■ 56.00 x 8.03 x 13.04		
V91293 ■ 34.50 x 8.00 x 122.00	7 301 821	 MD	45°				VAG92444 ■ 56.00 x 8.00 x 13.04		
V91400 ■ 34.50 x 8.00 x 122.00	7 303 309	 MG	45°		H		VAG92194 ■ 60.00 x 8.04 x 13.05		
							VAG92369 ■ 60.00 x 8.00 x 13.07		
							VAG92445 ■ 60.00 x 8.00 x 13.04		

				
AY591 Fibre Composite, 1.400mm	DS381 ▲	JC054 ■ JC055 ■	JN594	NP068 55.00x70.00x8.00mm FPM



AB5111



AY591

646

93.00

Diesel



8140.27R.2786

4 Cyl.

18:1

2499cc

67-70kW (91-95)PS

Turbocharged

TD27394

1277

B x C x D	OE	MAT.	Angle	Y	H	E x F x G	
V91292 ■	7 301 820		30°	Y	H	VAG92193 ■	
40.80 x 8.00 x 120.70						56.00 x 8.04 x 13.05	
V91399 ■	4 813 760		30°		H	VAG92373 ■	
41.00 x 8.00 x 122.00						56.00 x 8.03 x 13.04	
V91293 ■	7 301 821		45°			VAG92444 ■	
34.50 x 8.00 x 122.00						56.00 x 8.00 x 13.04	
V91400 ■	7 303 309		45°		H	VAG92194 ■	
34.50 x 8.00 x 122.00						60.00 x 8.04 x 13.05	
						VAG92369 ■	
						60.00 x 8.00 x 13.07	
						VAG92445 ■	
						60.00 x 8.00 x 13.04	

AB5101 Fibre Composite, 1200mm										NP068	55.00x70.00x8.00mm FPM
AB5101											

647

93.00

Diesel



8140.27S.2700

4 Cyl.

18:1

2499cc

76kW (103)PS

Turbocharged

TD20421

1288

B x C x D	OE	MAT.	Angle	Y	H	E x F x G	
V91292 ■	7 301 820		30°	Y	H	VAG92373 ■	
40.80 x 8.00 x 120.70						56.00 x 8.03 x 13.04	
V91294 ■	7 302 157		45°		H	VAG92444 ■	
34.50 x 8.00 x 122.00						56.00 x 8.00 x 13.04	
						VAG92369 ■	
						60.00 x 8.00 x 13.07	
						VAG92445 ■	
						60.00 x 8.00 x 13.04	

AY581 Fibre Composite, 1.300mm		DS381 ▲		FB5100 ▲ [1]		JC054 ■				NP067 ■	50.00x70.00x10.00mm FPM
AY591 Fibre Composite, 1.400mm						JC055 ■					
AY581	AY591										
[1] Without crankshaft seal		[1] sans bague d'étanchéité - vilebrequin		[1] senza paraolio-albero a gomiti		[1] sin cigüeñal retén					

648	93.00	Diesel				
8140.275.2760	4 Cyl.	18:1	2499cc	76kW (103)PS	Turbocharged	TD27405 1277
8140.275.3770	4 Cyl.	18.5:1	2499cc	77kW (104)PS	Turbocharged	TD27422 1277

B x C x D	OE	MAT.				E x F x G
V91292	7 301 820		30°	Y	H	VAG92193
40.80 x 8.00 x 120.70						56.00 x 8.04 x 13.05
V91939	98 468 338		30°		H	VAG92373
43.50 x 8.00 x 122.00						56.00 x 8.03 x 13.04
V91293	7 301 821		45°			VAG92444
34.50 x 8.00 x 122.00						56.00 x 8.00 x 13.04
V91940	98 418 161		45°		H	VAG92194
36.70 x 8.00 x 122.00						60.00 x 8.04 x 13.05
V91994	99 432 837		45°			VAG92369
35.80 x 8.00 x 121.90						60.00 x 8.00 x 13.07
						VAG92445
						60.00 x 8.00 x 13.04

AB5101 Fibre Composite, 1200mm							NPO68 55.00x70.00x8.00mm FPM



AB5101

649	93.00	Diesel				
8140.275.2761	4 Cyl.	18:1	2499cc	76kW (103)PS	Turbocharged	TD27406 1277
8140.275.3811	4 Cyl.	18.5:1	2499cc	77kW (104)PS	Turbocharged	TD27426 1277

B x C x D	OE	MAT.				E x F x G
V91292	7 301 820		30°	Y	H	VAG92193
40.80 x 8.00 x 120.70						56.00 x 8.04 x 13.05
V91939	98 468 338		30°		H	VAG92373
43.50 x 8.00 x 122.00						56.00 x 8.03 x 13.04
V91293	7 301 821		45°			VAG92444
34.50 x 8.00 x 122.00						56.00 x 8.00 x 13.04
V91940	98 418 161		45°		H	VAG92194
36.70 x 8.00 x 122.00						60.00 x 8.04 x 13.05
V91994	99 432 837		45°			VAG92369
35.80 x 8.00 x 121.90						60.00 x 8.00 x 13.07
						VAG92445
						60.00 x 8.00 x 13.04

AY591 Fibre Composite, 1.400mm							NPO68 55.00x70.00x8.00mm FPM



AY591

FIAT GROUP

650

93.00

Diesel



8140.275.2801

4 Cyl.

18:1

2499cc

76kW (103)PS

Turbocharged

TD20419

1289

B x C x D	OE	MAT.	Angle	Y	H	E x F x G	
V91292 ■	7 301 820		30°	Y	H	VAG92193 ■	
40.80 x 8.00 x 120.70		MB cr				56.00 x 8.04 x 13.05	
V91293 ■	7 301 821		45°			VAG92373 ■	
34.50 x 8.00 x 122.00		MD				56.00 x 8.03 x 13.04	
V91294 ■	7 302 157		45°		H	VAG92444 ■	
34.50 x 8.00 x 122.00		MF cr				56.00 x 8.00 x 13.04	
						VAG92194 ■	
						60.00 x 8.04 x 13.05	
						VAG92369 ■	
						60.00 x 8.00 x 13.07	
						VAG92445 ■	
						60.00 x 8.00 x 13.04	

AY581 Fibre Composite, 1.300mm	DR073 ▲	FB5102 ▲ [1]	HBS011 ⊕	JC054 ■	JN594		NP068 ■
AY591 Fibre Composite, 1.400mm	DS381 ▲		M12x1.25x119.00mm (x12)	JC055 ■			55.00x70.00x8.00mm FPM
AB5101 Fibre Composite, 1200mm							NP067 ■
AB5111 Fibre Composite, 1500mm							50.00x70.00x10.00mm FPM
AB5101	AB5111	AY581	AY591				
[1] Without crankshaft seal		[1] sans bague d'étanchéité - vilebrequin		[1] senza paraolio-albero a gomiti			[1] sin cigüeñal retén

651

93.00

Diesel



8140.275.2885

4 Cyl.

18:1

2499cc

76kW (103)PS

Turbocharged

TD20422

1286

B x C x D	OE	MAT.	Angle	Y	H	E x F x G	
V91292 ■	7 301 820		30°	Y	H	VAG92193 ■	
40.80 x 8.00 x 120.70		MB cr				56.00 x 8.04 x 13.05	
V91293 ■	7 301 821		45°			VAG92373 ■	
34.50 x 8.00 x 122.00		MD				56.00 x 8.03 x 13.04	
V91294 ■	7 302 157		45°		H	VAG92444 ■	
34.50 x 8.00 x 122.00		MF cr				56.00 x 8.00 x 13.04	
						VAG92194 ■	
						60.00 x 8.04 x 13.05	
						VAG92369 ■	
						60.00 x 8.00 x 13.07	
						VAG92445 ■	
						60.00 x 8.00 x 13.04	

AY591 Fibre Composite, 1.400mm	DS381 ▲			JC054 ■	JN594		NP068
				JC055 ■			55.00x70.00x8.00mm FPM
AY591							

652

93.00

Diesel



8140.47.2700 Euro 1

4 Cyl.

18:1

2499cc

85kW (116)PS

Turbocharged

TD1711

1291

TB250 153x30 Eng. → 1307400					

 B x C x D	OE	MAT.	 30°	 Y	 H	 E x F x G
V91292 ■ 40.80 x 8.00 x 120.70	7 301 820	 MB cr	30°	Y	H	VAG92193 ■ 56.00 x 8.04 x 13.05
V91293 ■ 34.50 x 8.00 x 122.00	7 301 821	 MD	45°			VAG92373 ■ 56.00 x 8.03 x 13.04
V91294 ■ 34.50 x 8.00 x 122.00	7 302 157	 MF cr	45°		H	VAG92444 ■ 56.00 x 8.00 x 13.04
						VAG92194 ■ 60.00 x 8.04 x 13.05
						VAG92369 ■ 60.00 x 8.00 x 13.07
						VAG92445 ■ 60.00 x 8.00 x 13.04

AY581 Fibre Composite, 1.300mm AY591 Fibre Composite, 1.400mm AB5101 Fibre Composite, 1200mm AB5111 Fibre Composite, 1500mm	DS381 ▲	FB5101 ▲ [1]	HBS011 ⊕ M12x1.25x119.00mm (x12)	JC054 ■ JC055 ■	JN594	HR602 ■	NP068 55.00x70.00x8.00mm FPM NP067 50.00x70.00x10.00mm FPM

AB5101 [1] Without crankshaft seal	AB5111	AY581 [1] sans bague d'étanchéité - vilebrequin	AY591 [1] senza paraolio-albero a gomiti

[1] sin cigüeñal retén

653

93.00

Diesel



8140.47.2721 Euro 1

4 Cyl.

18:1

2499cc

85kW (116)PS

Turbocharged

TD1713

1293

B x C x D	OE	MAT.				E x F x G	
V91292 ■	7 301 820		30°	Y	H	VAG92193 ■	
40.80 x 8.00 x 120.70		MB cr				56.00 x 8.04 x 13.05	
V91293 ■	7 301 821		45°			VAG92373 ■	
34.50 x 8.00 x 122.00		MD				56.00 x 8.03 x 13.04	
V91294 ■	7 302 157		45°		H	VAG92444 ■	
34.50 x 8.00 x 122.00		MF cr				56.00 x 8.00 x 13.04	
						VAG92194 ■	
						60.00 x 8.04 x 13.05	
						VAG92369 ■	
						60.00 x 8.00 x 13.07	
						VAG92445 ■	
						60.00 x 8.00 x 13.04	

AY581 Fibre Composite, 1.300mm	DS381 ▲	FB5101 ▲ [1]	HBS011 ⊕ M12x1.25x119.00mm (x12)	JC054 ■ JC055 ■	JN594	HR602 ■	NP068 55.00x70.00x8.00mm FPM
AY591 Fibre Composite, 1.400mm							
AB5101 Fibre Composite, 1200mm							
AB5111 Fibre Composite, 1500mm							
AB5101	AB5111	AY581	AY591				
[1] Without crankshaft seal		[1] sans bague d'étanchéité - vilebrequin		[1] senza paraolio-albero a gomiti			[1] sin cigüeñal retén

654

93.00

Diesel



8140.47.2785 Euro 1

4 Cyl.

18:1

2499cc

85kW (116)PS

Turbocharged

TD1715

1294

B x C x D	OE	MAT.				E x F x G	
V91292 ■	7 301 820		30°	Y	H	VAG92193 ■	
40.80 x 8.00 x 120.70		MB cr				56.00 x 8.04 x 13.05	
V91293 ■	7 301 821		45°			VAG92373 ■	
34.50 x 8.00 x 122.00		MD				56.00 x 8.03 x 13.04	
V91294 ■	7 302 157		45°		H	VAG92444 ■	
34.50 x 8.00 x 122.00		MF cr				56.00 x 8.00 x 13.04	
						VAG92194 ■	
						60.00 x 8.04 x 13.05	
						VAG92369 ■	
						60.00 x 8.00 x 13.07	
						VAG92445 ■	
						60.00 x 8.00 x 13.04	

AY591 Fibre Composite, 1.400mm					JC054 ■ JC055 ■	JN594	
AB5111 Fibre Composite, 1500mm							
AB5111	AY591						

655	93.00	Diesel					
8140.47.3700	4 Cyl.	18.5:1	2499cc	85kW (116)PS	Turbo Intercooled	TD6809	1299

B x C x D	OE	MAT.				E x F x G	
V91292	7 301 820		30°	Y	H	VAG92193	
40.80 x 8.00 x 120.70						56.00 x 8.04 x 13.05	
V91293	7 301 821		45°			VAG92373	
34.50 x 8.00 x 122.00						56.00 x 8.03 x 13.04	
V91294	7 302 157		45°		H	VAG92444	
34.50 x 8.00 x 122.00						56.00 x 8.00 x 13.04	
						VAG92194	
						60.00 x 8.04 x 13.05	
						VAG92369	
						60.00 x 8.00 x 13.07	
						VAG92445	
						60.00 x 8.00 x 13.04	

AB5111 Fibre Composite, 1500mm	DS381 ▲	JC054	NPO68 55.00x70.00x8.00mm FPM



AB5111

656	93.00	Diesel					
8140.47.3700 Euro I	4 Cyl.	18.5:1	2499cc	85kW (116)PS	Turbo Intercooled	TD20477	1295

B x C x D	OE	MAT.				E x F x G	
V91292	7 301 820		30°	Y	H	VAG92193	
40.80 x 8.00 x 120.70						56.00 x 8.04 x 13.05	
V91293	7 301 821		45°			VAG92373	
34.50 x 8.00 x 122.00						56.00 x 8.03 x 13.04	
V91294	7 302 157		45°		H	VAG92444	
34.50 x 8.00 x 122.00						56.00 x 8.00 x 13.04	
						VAG92194	
						60.00 x 8.04 x 13.05	
						VAG92369	
						60.00 x 8.00 x 13.07	
						VAG92445	
						60.00 x 8.00 x 13.04	

AY591 Fibre Composite, 1.400mm	DS381 ▲	JC055	JN594



AY591

657

93.00

Diesel



8140.47.3711 Euro 1

4 Cyl.

18.5:1

2499cc

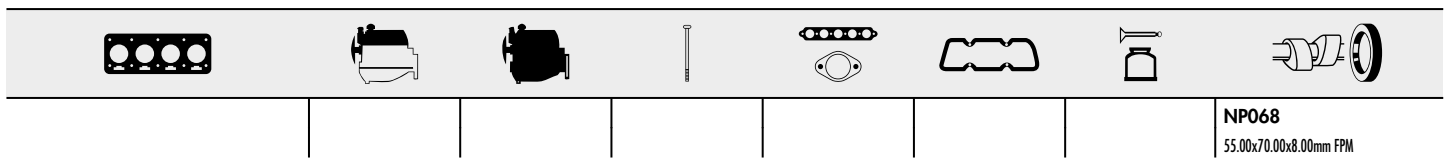
85kW (116)PS

Turbo Intercooled

TD26005

1296

B x C x D	OE	MAT.				E x F x G		
V91292 ■	7 301 820	MB cr	30°	Y	H	VAG92193 ■		
40.80 x 8.00 x 120.70						56.00 x 8.04 x 13.05		
V91939 ■	98 468 338	MB cr	30°		H	VAG92373 ■		
43.50 x 8.00 x 122.00						56.00 x 8.03 x 13.04		
V91293 ■	7 301 821	MD	45°			VAG92444 ■		
34.50 x 8.00 x 122.00						56.00 x 8.00 x 13.04		
V91940 ■	98 418 161	MG cr	45°		H	VAG92194 ■		
36.70 x 8.00 x 122.00						60.00 x 8.04 x 13.05		
V91994 ■	99 432 837	MD cr	45°			VAG92369 ■		
35.80 x 8.00 x 121.90						60.00 x 8.00 x 13.07		
						VAG92445 ■		
						60.00 x 8.00 x 13.04		



NP068
55.00x70.00x8.00mm FPM

658

93.00

Diesel



8140.47R

4 Cyl.

18:1

2499cc

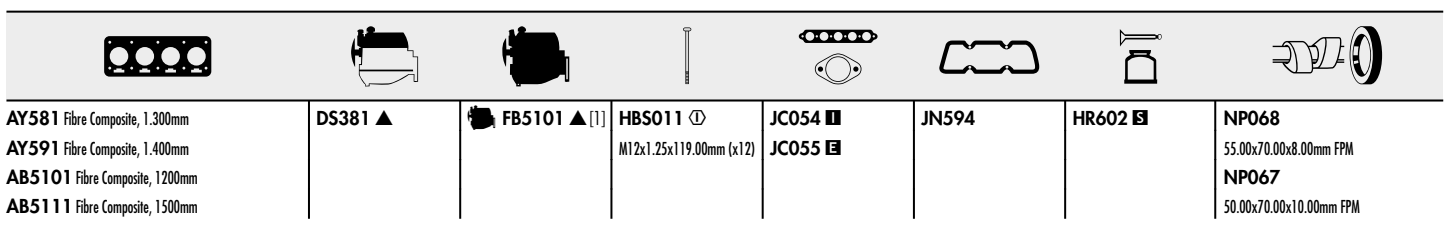
80kW (109)PS

Turbocharged

TD7234

1297

B x C x D	OE	MAT.				E x F x G		
V91292 ■	7 301 820	MB cr	30°	Y	H	VAG92193 ■		
40.80 x 8.00 x 120.70						56.00 x 8.04 x 13.05		
V91293 ■	7 301 821	MD	45°			VAG92373 ■		
34.50 x 8.00 x 122.00						56.00 x 8.03 x 13.04		
V91294 ■	7 302 157	MF cr	45°		H	VAG92444 ■		
34.50 x 8.00 x 122.00						56.00 x 8.00 x 13.04		
						VAG92194 ■		
						60.00 x 8.04 x 13.05		
						VAG92369 ■		
						60.00 x 8.00 x 13.07		
						VAG92445 ■		
						60.00 x 8.00 x 13.04		



AY581 Fibre Composite, 1.300mm
AY591 Fibre Composite, 1.400mm
AB5101 Fibre Composite, 1200mm
AB5111 Fibre Composite, 1500mm

DS381 ▲

FB5101 ▲ [1]

HBS011 ⊕
M12x1.25x119.00mm (x12)

JC054 ■
JC055 ■

JN594

HR602 ■

NP068
55.00x70.00x8.00mm FPM
NP067
50.00x70.00x10.00mm FPM



AB5101
[1] Without crankshaft seal

AB5111

AY581
[1] sans bague d'étanchéité - vilebrequin

AY591
[1] senza paraolio-albero a gomiti

[1] sin cigüeñal retén

659

 **93.00**

Diesel



8140.47R.2210

4 Cyl.

18.5:1

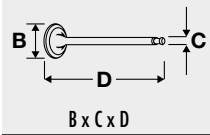
2499cc

80kW (110)PS

Turbo Intercooled

TD6811

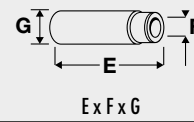
1290



OE

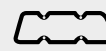


MAT.



V91292 ■	7 301 820		30°	Y	H
40.80 x 8.00 x 120.70		MB cr			
V91939 ■	98 468 338		30°		H
43.50 x 8.00 x 122.00		MB cr			
V91293 ■	7 301 821		45°		
34.50 x 8.00 x 122.00		MD			
V91940 ■	98 418 161		45°		H
36.70 x 8.00 x 122.00		MG cr			
V91994 ■	99 432 837		45°		
35.80 x 8.00 x 121.90		MD cr			

VAG92193 ■	
56.00 x 8.04 x 13.05	
VAG92373 ■	
56.00 x 8.03 x 13.04	
VAG92444 ■	
56.00 x 8.00 x 13.04	
VAG92194 ■	
60.00 x 8.04 x 13.05	
VAG92369 ■	
60.00 x 8.00 x 13.07	
VAG92445 ■	
60.00 x 8.00 x 13.04	



AB5111 Fibre Composite, 1500mm

JC054 ■



AB5111

660

93.00

Diesel



8140.47R.2790

4 Cyl.

18.5:1

2499cc

76-80kW (103-109)PS

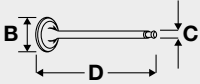
Turbo Intercooled

TD1716

1298



TB250
153x30
Eng. → 1307400



B x C x D

OE



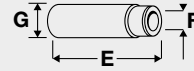
MAT.



30°

Y

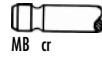
H



E x F x G

V91292 ■
40.80 x 8.00 x 120.70

7 301 820



MB cr

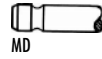
45°

Y

H

V91293 ■
34.50 x 8.00 x 122.00

7 301 821



MD

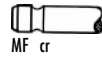
45°

Y

H

V91294 ■
34.50 x 8.00 x 122.00

7 302 157



MF cr

VAG92193 ■
56.00 x 8.04 x 13.05



VAG92373 ■
56.00 x 8.03 x 13.04



VAG92444 ■
56.00 x 8.00 x 13.04



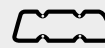
VAG92194 ■
60.00 x 8.04 x 13.05



VAG92369 ■
60.00 x 8.00 x 13.07



VAG92445 ■
60.00 x 8.00 x 13.04



AY581 Fibre Composite, 1.300mm
AY591 Fibre Composite, 1.400mm
AB5101 Fibre Composite, 1200mm
AB5111 Fibre Composite, 1500mm

DS381 ▲

FB5101 ▲ [1]

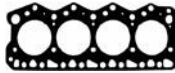
HBS011 ①
M12x1.25x119.00mm (x12)

JC054 ■
JC055 ■
JF123

JN594

HR602 ■

NP068
55.00x70.00x8.00mm FPM



AB5101

[1] Without crankshaft seal

AB5111

[1] sans bague d'étanchéité - vilebrequin

AY581

AY591

[1] senza paraolio-albero a gomiti

[1] sin cigüeñal retén

661	93.00	Diesel								
8140.475 Euro 1	4 Cyl.	18.5:1	2499cc	85kW (116)PS	Turbo Intercooled	TD20453	1299			

B x C x D	OE	MAT.				E x F x G	
V91292 ■	7 301 820		30°	Y	H	VAG92193 ■	
40.80 x 8.00 x 120.70						56.00 x 8.04 x 13.05	
V91293 ■	7 301 821		45°			VAG92373 ■	
34.50 x 8.00 x 122.00						56.00 x 8.03 x 13.04	
V91294 ■	7 302 157		45°		H	VAG92444 ■	
34.50 x 8.00 x 122.00						56.00 x 8.00 x 13.04	
						VAG92194 ■	
						60.00 x 8.04 x 13.05	
						VAG92369 ■	
						60.00 x 8.00 x 13.07	
						VAG92445 ■	
						60.00 x 8.00 x 13.04	

AY591 Fibre Composite, 1.400mm				JC054 ■ JC055 ■			



AY591

662	93.00	Diesel								
8140.67F.3700 Euro 2	4 Cyl.	21:1	2499cc	60-63kW (82-86)PS		TD20428	1301			

B x C x D	OE	MAT.				E x F x G	
V91939 ■	98 468 338		30°		H	VAG92193 ■	
43.50 x 8.00 x 122.00						56.00 x 8.04 x 13.05	
V91940 ■	98 418 161		45°		H	VAG92373 ■	
36.70 x 8.00 x 122.00						56.00 x 8.03 x 13.04	
						VAG92444 ■	
						56.00 x 8.00 x 13.04	
						VAG92194 ■	
						60.00 x 8.04 x 13.05	
						VAG92369 ■	
						60.00 x 8.00 x 13.07	
						VAG92445 ■	
						60.00 x 8.00 x 13.04	

AY300 Fibre Composite, 1.700mm				JC054 ■ JC055 ■			



AY300

FIAT GROUP

663

93.00

Diesel



8140.67F. Euro 2

4 Cyl.

21:1

2499cc

60kW (82)PS

TD7226

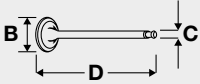
1302



KIT



TB250
153x30
Eng. → 1307400



B x C x D

OE



MAT.



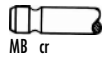
30°



H

V91939 ■
43.50 x 8.00 x 122.00

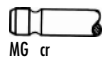
98 468 338



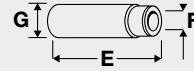
MB cr

V91940 ■
36.70 x 8.00 x 122.00

98 418 161



MG cr



E x F x G

VAG92193 ■
56.00 x 8.04 x 13.05

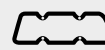
VAG92373 ■
56.00 x 8.03 x 13.04

VAG92444 ■
56.00 x 8.00 x 13.04

VAG92194 ■
60.00 x 8.04 x 13.05

VAG92369 ■
60.00 x 8.00 x 13.07

VAG92445 ■
60.00 x 8.00 x 13.04



AY581 Fibre Composite, 1.300mm
AY591 Fibre Composite, 1.400mm
AY300 Fibre Composite, 1.700mm
AB5101 Fibre Composite, 1200mm
AB5111 Fibre Composite, 1500mm

DS381 ▲

HBS011 ①
M12x1.25x119.00mm (x12)

JC054 ■
JC055 ■

JN594

HR602 ■

NP068
55.00x70.00x8.00mm FPM



AB5101

AB5111

AY300

AY581

AY591

664

93.00

Diesel



8140.97.2781

4 Cyl.

18:1

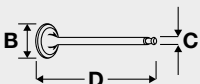
2499cc

68kW (92)PS

Turbo Intercooled

TD1717

1303

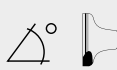


B x C x D

OE



MAT.



30°



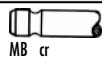
Y



H

V91292 ■
40.80 x 8.00 x 120.70

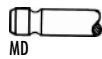
7 301 820



MB cr

V91293 ■
34.50 x 8.00 x 122.00

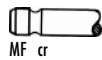
7 301 821



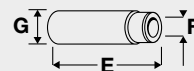
MD

V91294 ■
34.50 x 8.00 x 122.00

7 302 157



MF cr



E x F x G

VAG92193 ■
56.00 x 8.04 x 13.05

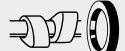
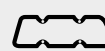
VAG92373 ■
56.00 x 8.03 x 13.04

VAG92444 ■
56.00 x 8.00 x 13.04

VAG92194 ■
60.00 x 8.04 x 13.05



VAG92369 ■
60.00 x 8.00 x 13.07

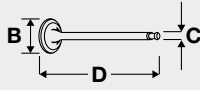



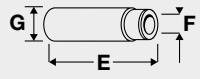


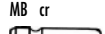







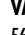





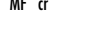




VAG92445 ■
60.00 x 8.00 x 13.04






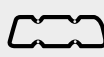

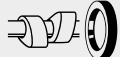





JC054 ■
JC055 ■

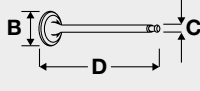



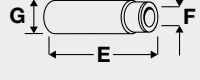


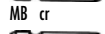


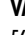




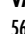



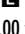
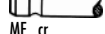
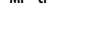
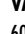

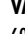

JN594






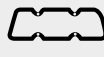

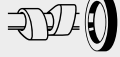

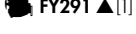


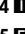

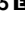
665	 93.00	Diesel				
8144.67.220	4 Cyl.	22:1	2499cc	55kW (75)PS	TD6797	1306

 B x C x D			OE	MAT.	 30°	 Y	 H	 E x F x G	
V91292 	7 301 820			30°	Y	H	VAG92193 		56.00 x 8.04 x 13.05
40.80 x 8.00 x 120.70		MB cr					VAG92373 		56.00 x 8.03 x 13.04
V91293 	7 301 821			45°			VAG92444 		56.00 x 8.00 x 13.04
34.50 x 8.00 x 122.00		MD					VAG92194 		60.00 x 8.04 x 13.05
V91294 	7 302 157			45°		H	VAG92369 		60.00 x 8.00 x 13.07
34.50 x 8.00 x 122.00		MF cr					VAG92445 		60.00 x 8.00 x 13.04

							
				JC054 			NP068 55.00x70.00x8.00mm FPM

666	 93.00	Diesel				
8144.67.220	4 Cyl.	22:1	2499cc	55kW (75)PS	TD147	1305

 B x C x D			OE	MAT.	 30°	 Y	 H	 E x F x G	
V91292 	7 301 820			30°	Y	H	VAG92193 		56.00 x 8.04 x 13.05
40.80 x 8.00 x 120.70		MB cr					VAG92373 		56.00 x 8.03 x 13.04
V91293 	7 301 821			45°			VAG92444 		56.00 x 8.00 x 13.04
34.50 x 8.00 x 122.00		MD					VAG92194 		60.00 x 8.04 x 13.05
V91294 	7 302 157			45°		H	VAG92369 		60.00 x 8.00 x 13.07
34.50 x 8.00 x 122.00		MF cr					VAG92445 		60.00 x 8.00 x 13.04

							
AY290 Fibre Composite, 1.600mm	DE588 	 FY291  [1]	HBS011  M12x1.25x119.00mm (x12)	JC054  (x4)	JN462	HR602 	NP068 55.00x70.00x8.00mm FPM
AY300 Fibre Composite, 1.700mm				JC055  (x4)	JN594		
AY310 Fibre Composite, 1.800mm					Eng.574799→		



AY290, AY300, AY310

[1] Without crankshaft seal

[1] sans bague d'étanchéité - vilebrequin

[1] senza paraolio-albero a gomiti

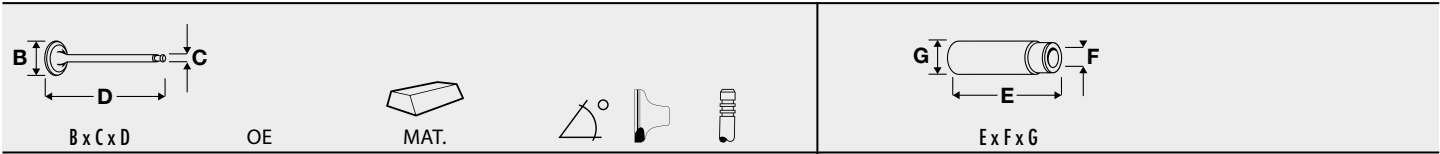
[1] sin cigüeñal retén



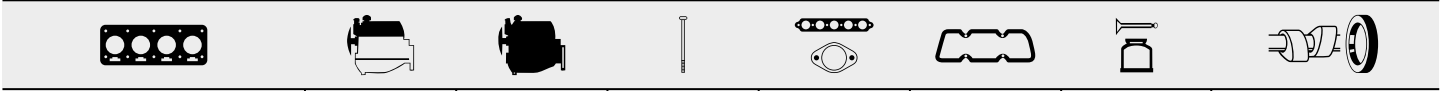
8144.97 4 Cyl. 22:1 2499cc 85kW (115)PS Turbocharged TD4601 1308



TB348
99x19



B x C x D	OE	MAT.	Angle	Y	H	E x F x G
V91292 ■ 40.80 x 8.00 x 120.70	7 301 820	MB cr	30°	Y	H	
V91293 ■ 34.50 x 8.00 x 122.00	7 301 821	MD	45°			
V91294 ■ 34.50 x 8.00 x 122.00	7 302 157	MF cr	45°		H	



AY290 Fibre Composite, 1.600mm AY300 Fibre Composite, 1.700mm AY310 Fibre Composite, 1.800mm	DP273 ▲ DT752 ▲		HBS011 ① M12x1.25x119.00mm (x12)	JC054 ■	JN585	NF841 35.00x50.00x8.00mm FPM NPO68 55.00x70.00x8.00mm FPM
---	----------------------------------	--	--	----------------	--------------	--



AY290, AY300, AY310

668	93.00	Diesel				
8144.97	4 Cyl.	2499cc	85kW (115)PS	Turbo Intercooled	TD1061	1307
TB348 99x19 →01/93		CAM681				









	OE	MAT.				
B x C x D					E x F x G	
V91292 ■ 40.80 x 8.00 x 120.70	7 301 820	 MB cr	30°	Y	H	VAG92193 ■ 56.00 x 8.04 x 13.05
V91293 ■ 34.50 x 8.00 x 122.00	7 301 821	 MD	45°			VAG92373 ■ 56.00 x 8.03 x 13.04
V91294 ■ 34.50 x 8.00 x 122.00	7 302 157	 MF cr	45°		H	VAG92444 ■ 56.00 x 8.00 x 13.04
						VAG92194 ■ 60.00 x 8.04 x 13.05
						VAG92369 ■ 60.00 x 8.00 x 13.07
						VAG92445 ■ 60.00 x 8.00 x 13.04






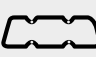


AY290 Fibre Composite, 1.600mm AY300 Fibre Composite, 1.700mm AY310 Fibre Composite, 1.800mm	DP273 ▲	HBS011 ◊ M12x1.25x119.00mm (x12)	JC054 ■ JC055 ■	JN585	NP068 55.00x70.00x8.00mm FPM

AY290, AY300, AY310

669	93.00	Diesel					
8144.97.2200	4 Cyl.	22:1	2499cc	85-87kW (116-118)PS	Turbo Intercooled	TD19036	1309
						NF841 35.00x50.00x8.00mm FPM	



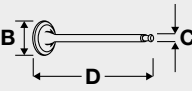


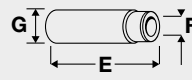






FIAT GROUP






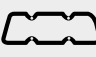


670	 93.00	Diesel					
8144.97.2400	4 Cyl.	21:1	2499cc	83-87kW (113-118)PS	Turbo Intercooled	TD22316	1307
							
TB348 99x19 →01/93							

							
AY290 Fibre Composite, 1.600mm AY300 Fibre Composite, 1.700mm AY310 Fibre Composite, 1.800mm	DP273 ▲		HBS011 Ⓢ M12x1.25x119.00mm (x12)	JC054 ■ JC055 ■	JN585		NP068 55.00x70.00x8.00mm FPM





AY290, AY300, AY310

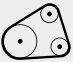

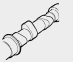



671	 93.00	Diesel					
8140.07.2585 Euro 1	4 Cyl.	18.5:1	2500cc	55kW (75)PS	TD20437	1310	
	OE	MAT.					
V91399 ■ 41.00 x 8.00 x 122.00	4 813 760		30°	H	VAG92193 ■ 56.00 x 8.04 x 13.05		
V91400 ■ 34.50 x 8.00 x 122.00	7 303 309		45°	H	VAG92373 ■ 56.00 x 8.03 x 13.04		
					VAG92369 ■ 60.00 x 8.00 x 13.07		
					VAG92445 ■ 60.00 x 8.00 x 13.04		

							
AY591 Fibre Composite, 1.400mm	DS381 ▲			JC054 ■ JC055 ■	JN594		

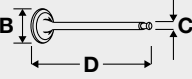
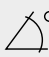


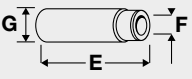

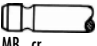

















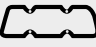



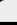


AY591





672  **93.00 Diesel** 
8140.27 4 Cyl. 18.5:1 2500cc **70kW (95)PS** **Turbocharged** **TD1047 1311**



					
TB701 153x30	TBK039 Component No: TB701; AE1010GP	CAM681 Eng: 1197078→			FOL169 (x8) [6]

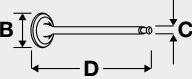
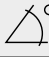


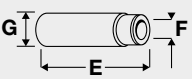


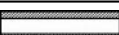

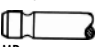







[6] Mechanical [6] Mécanique [6] Meccanico [6] Mecánico





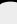
	OE	MAT.				
B x C x D						E x F x G
V91292 	7 301 820		30°	Y	H	VAG92193 
40.80 x 8.00 x 120.70		MB cr				56.00 x 8.04 x 13.05
V91293 	7 301 821		45°			VAG92373 
34.50 x 8.00 x 122.00		MD				56.00 x 8.03 x 13.04
V91294 	7 302 157		45°		H	VAG92444 
34.50 x 8.00 x 122.00		MF cr				56.00 x 8.00 x 13.04
						VAG92194 
						60.00 x 8.04 x 13.05
						VAG92369 
						60.00 x 8.00 x 13.07
						VAG92445 
						60.00 x 8.00 x 13.04

							
AY581 Fibre Composite, 1.300mm	DR073 ▲	FB5102 ▲ [1]	HBS011 Ⓢ	JC054 	JN956	HR602 	NP068
AY591 Fibre Composite, 1.400mm	DS381 ▲		M12x1.25x119.00mm (x12)	JC055 	JN594		55.00x70.00x8.00mm FPM
AB5101 Fibre Composite, 1200mm	Eng.1050634→			JF123 	Eng.574799→		
AB5111 Fibre Composite, 1500mm							

			
AB5101	AB5111	AY581	AY591
[1] Without crankshaft seal		[1] sans bague d'étanchéité - vilebrequin	[1] senza paraolio-albero a gomiti
			[1] sin cigüeñal retén

673  **93.00 Diesel** 
8140.27.2100 4 Cyl. 18.5:1 2500cc **70kW (95)PS** **Turbocharged** **TD6800 1312**

	OE	MAT.				
B x C x D						E x F x G
V91292 	7 301 820		30°	Y	H	VAG92193 
40.80 x 8.00 x 120.70		MB cr				56.00 x 8.04 x 13.05
V91293 	7 301 821		45°			VAG92373 
34.50 x 8.00 x 122.00		MD				56.00 x 8.03 x 13.04
V91294 	7 302 157		45°		H	VAG92444 
34.50 x 8.00 x 122.00		MF cr				56.00 x 8.00 x 13.04
						VAG92194 
						60.00 x 8.04 x 13.05
						VAG92369 
						60.00 x 8.00 x 13.07
						VAG92445 
						60.00 x 8.00 x 13.04

		
DR073 ▲	JC054 	HR599 



8140.47 4 Cyl. 18.5:1 2500cc 80-85kW (109-116)PS Turbocharged TD1048 1313

TB701 153x30 →08/98	TBK039 →08/98 Component No: TB701; AE1010GP		KIT		

	OE	MAT.				
B x C x D						E x F x G
V91292 ■ 40.80 x 8.00 x 120.70	7 301 820	 MB cr	30°	Y	H	 VAG92193 ■ 56.00 x 8.04 x 13.05
V91293 ■ 34.50 x 8.00 x 122.00	7 301 821	 MD	45°			 VAG92373 ■ 56.00 x 8.03 x 13.04
V91294 ■ 34.50 x 8.00 x 122.00	7 302 157	 MF cr	45°		H	 VAG92444 ■ 56.00 x 8.00 x 13.04
						 VAG92194 ■ 60.00 x 8.04 x 13.05
						 VAG92369 ■ 60.00 x 8.00 x 13.07
						 VAG92445 ■ 60.00 x 8.00 x 13.04

AY581 Fibre Composite, 1.300mm	DS381 ▲	FB5101 ▲ [1]	HBS011 ① M12x1.25x119.00mm (x12)	JC054 ■ JC055 ■	JN594 JN956	HR602 ■	NP068 ■ 55.00x70.00x8.00mm FPM
AY591 Fibre Composite, 1.400mm							
AB5101 Fibre Composite, 1200mm							
AB5111 Fibre Composite, 1500mm							



AB5101 [1] Without crankshaft seal **AB5111** **AY581** [1] sans bague d'étanchéité - vilebrequin **AY591** [1] senza paraolio-albero a gomiti [1] sin cigüeñal retén

675	93.00	Diesel	
8140.47R	4 Cyl.	18.5:1	2500cc
			80kW (110)PS
			Turbocharged
			TD1049 1313

TB701 153x30 →08/98	TBK039 →08/98 Component No: TB701; AE1010GP		KIT		

	OE	MAT.				
B x C x D						E x F x G
V91292	7 301 820	 MB cr	30°	Y	H	 56.00 x 8.04 x 13.05
V91293	7 301 821	 MD	45°			 56.00 x 8.03 x 13.04
V91294	7 302 157	 MF cr	45°		H	 56.00 x 8.00 x 13.04
40.80 x 8.00 x 120.70						 56.00 x 8.00 x 13.04
34.50 x 8.00 x 122.00						 60.00 x 8.04 x 13.05
34.50 x 8.00 x 122.00						 60.00 x 8.00 x 13.07
						 60.00 x 8.00 x 13.04

AY581 Fibre Composite, 1.300mm	DS381	FB5100 [1]	HBS011 M12x1.25x119.00mm (x12)	JC054 JC055	JN956	HR602	NP068 55.00x70.00x8.00mm FPM
AY591 Fibre Composite, 1.400mm							
AB5101 Fibre Composite, 1200mm							
AB5111 Fibre Composite, 1500mm							

AB5101	AB5111	AY581	AY591
[1] Without crankshaft seal		[1] sans bague d'étanchéité - vilebrequin	[1] senza paraolio-albero a gomiti
			[1] sin cigüeñal retén

676

93.00

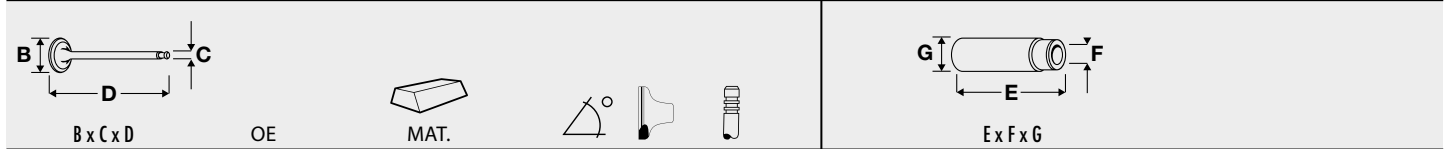
Diesel



8140.67 4 Cyl. 22:1 2500cc 55-62kW (75-84)PS TD1052 1314



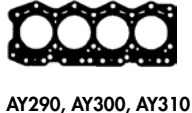
TB388 121x15 →08/98 Length: 1152.5mm Groove Distance: 9.525	TBK037 →08/98 Component No: TB368; AE1011TP;AE1010GP	CAM718 01/89→		
--	--	-------------------------	--	--



B x C x D	OE	MAT.	30°	Y	H	E x F x G
V91292 ■ 40.80 x 8.00 x 120.70	7 301 820	MB cr	30°	Y	H	VAG92193 ■ 56.00 x 8.04 x 13.05
V91293 ■ 34.50 x 8.00 x 122.00	7 301 821	MD	45°			VAG92373 ■ 56.00 x 8.03 x 13.04
V91294 ■ 34.50 x 8.00 x 122.00	7 302 157	MF cr	45°		H	VAG92444 ■ 56.00 x 8.00 x 13.04
						VAG92194 ■ 60.00 x 8.04 x 13.05
						VAG92369 ■ 60.00 x 8.00 x 13.07
						VAG92445 ■ 60.00 x 8.00 x 13.04



AY290 Fibre Composite, 1.600mm AY300 Fibre Composite, 1.700mm AY310 Fibre Composite, 1.800mm	DE588 ▲	HBS011 ① M12x1.25x119.00mm (x12)	JC054 ■ JC055 ■	JN596 JN956	HR602 ■ HR801 ■	NP068 55.00x70.00x8.00mm FPM
---	----------------	--	----------------------------------	------------------------------	----------------------------------	--



677	93.00	Diesel					
8140.67.2585 Euro 2	4 Cyl.	18.5:1	2500cc	55-63kW (75-86)PS	Turbo Intercooled	TD20427	1316

B x C x D	OE	MAT.				E x F x G	
V91939	98 468 338		30°		H	VAG92193	
43.50 x 8.00 x 122.00						56.00 x 8.04 x 13.05	
V91940	98 418 161		45°		H	VAG92373	
36.70 x 8.00 x 122.00						56.00 x 8.03 x 13.04	
						VAG92444	
						56.00 x 8.00 x 13.04	
						VAG92194	
						60.00 x 8.04 x 13.05	
						VAG92369	
						60.00 x 8.00 x 13.07	
						VAG92445	
						60.00 x 8.00 x 13.04	

AY290 Fibre Composite, 1.600mm AY300 Fibre Composite, 1.700mm AY310 Fibre Composite, 1.800mm	DE588 ▲	FY291 ▲ [1]	HBS011 Ⓢ M12x1.25x119.00mm (x12)	JC054 JC055		HR602	NP068 55.00x70.00x8.00mm FPM NP067 50.00x70.00x10.00mm FPM

AY290, AY300, AY310

[1] Without crankshaft seal [1] sans bague d'étanchéité - vilebrequin [1] senza paraolio-albero a gomiti [1] sin cigüeñal retén

678	93.00	Diesel				
8140 SC 27.02	4 Cyl.	18.5:1	2500cc	62kW (84)PS	TD16182	1317

AY591 Fibre Composite, 1.400mm				JC054 JC055	JN594		

AY591

679

93.00

Diesel



8144.67

4 Cyl.

22:1

2500cc

55kW (75)PS

TD1056

1318

TB368 152x30 HNBR	TBK045 Component No: TB135; AE1011TP;AE1010GP	CAM718 01/89→			
TB135 152x30 Polychloroprene (Neoprene)	TBK037 Component No: TB368; AE1011TP;AE1010GP				

	OE	MAT.				
B x C x D						
V91292 ■ 40.80 x 8.00 x 120.70	7 301 820		30°	Y	H	VAG92193 ■ 56.00 x 8.04 x 13.05
V91293 ■ 34.50 x 8.00 x 122.00	7 301 821		45°			VAG92373 ■ 56.00 x 8.03 x 13.04
V91294 ■ 34.50 x 8.00 x 122.00	7 302 157		45°		H	VAG92444 ■ 56.00 x 8.00 x 13.04
						VAG92194 ■ 60.00 x 8.04 x 13.05
						VAG92369 ■ 60.00 x 8.00 x 13.07
						VAG92445 ■ 60.00 x 8.00 x 13.04

AY290 Fibre Composite, 1.600mm AY300 Fibre Composite, 1.700mm AY310 Fibre Composite, 1.800mm	DE588 ▲	FY291 ▲ [1]	HBS011 ◊ M12x1.25x119.00mm (x12)	JC054 ■ (x4) JC055 ■ (x4)	JN462	HR602 ■	NP068 55.00x70.00x8.00mm FPM



AY290, AY300, AY310
[1] Without crankshaft seal

[1] sans bague d'étanchéité - vilebrequin

[1] senza paraolio-albero a gomiti

[1] sin cigüeñal retén

680	93.00	Diesel					
8144.97 S	4 Cyl.	21:1	2500cc	77kW (105)PS	Turbo Intercooled	TD1059	1307

TB348					
99x19					
→01/93					

	B x C x D	OE	MAT.					E x F x G
	V91292 ■	7 301 820		30°	Y	H		VAG92193 ■
	40.80 x 8.00 x 120.70							56.00 x 8.04 x 13.05
	V91293 ■	7 301 821		45°				VAG92373 ■
	34.50 x 8.00 x 122.00							56.00 x 8.03 x 13.04
	V91294 ■	7 302 157		45°		H		VAG92444 ■
	34.50 x 8.00 x 122.00							56.00 x 8.00 x 13.04
								VAG92194 ■
								60.00 x 8.04 x 13.05
								VAG92369 ■
								60.00 x 8.00 x 13.07
								VAG92445 ■
								60.00 x 8.00 x 13.04

AY290 Fibre Composite, 1.600mm	DP273 ▲	HBS011 Ⓢ	JC054 ■	JN585	NPO68 ■
AY300 Fibre Composite, 1.700mm		M12x1.25x119.00mm (x12)	JC055 ■		55.00x70.00x8.00mm FPM
AY310 Fibre Composite, 1.800mm					

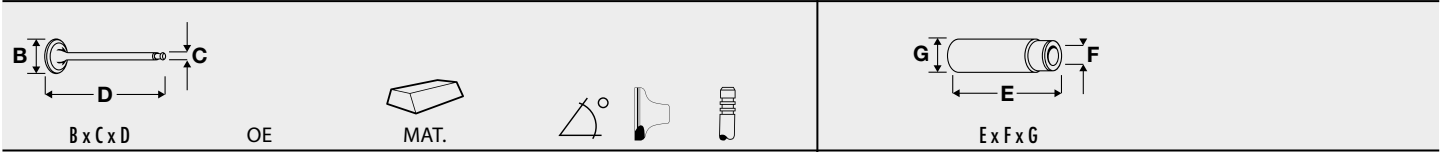
AY290, AY300, AY310



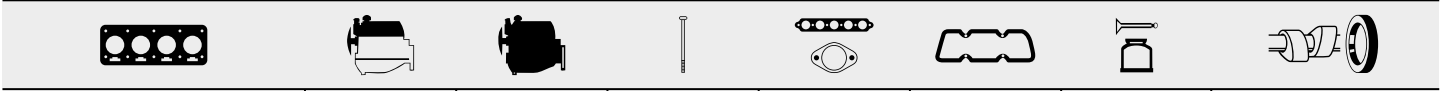
8144. 97S 4 Cyl. 21:1 2500cc 77kW (105)PS Turbocharged TD1785 1319



TB348
99x19



B x C x D	OE	MAT.	Angle	Y	H	E x F x G
V91292 ■ 40.80 x 8.00 x 120.70	7 301 820	MB cr	30°	Y	H	VAG92193 ■ 56.00 x 8.04 x 13.05
V91293 ■ 34.50 x 8.00 x 122.00	7 301 821	MD	45°			VAG92373 ■ 56.00 x 8.03 x 13.04
V91294 ■ 34.50 x 8.00 x 122.00	7 302 157	MF cr	45°		H	VAG92444 ■ 56.00 x 8.00 x 13.04
						VAG92194 ■ 60.00 x 8.04 x 13.05
						VAG92369 ■ 60.00 x 8.00 x 13.07
						VAG92445 ■ 60.00 x 8.00 x 13.04



AY290 Fibre Composite, 1.600mm AY300 Fibre Composite, 1.700mm AY310 Fibre Composite, 1.800mm	DP273 ▲		HBS011 ① M12x1.25x119.00mm (x12)	JC055 ■	JN585	NF841 35.00x50.00x8.00mm FPM NP068 55.00x70.00x8.00mm FPM
--	---------	--	-------------------------------------	---------	-------	--



AY290, AY300, AY310

682	93.00	Diesel					
8144.97 Y	4 Cyl.	22.5:1	2500cc	85kW (115)PS	Turbo Intercooled	TD1060	1320

TB348 99x19 →01/93					

 B x C x D	OE	MAT.			 E x F x G
V91292 ■ 40.80 x 8.00 x 120.70	7 301 820	 MB cr	30°	Y H	VAG92193 ■ 56.00 x 8.04 x 13.05
V91293 ■ 34.50 x 8.00 x 122.00	7 301 821	 MD	45°		VAG92373 ■ 56.00 x 8.03 x 13.04
V91294 ■ 34.50 x 8.00 x 122.00	7 302 157	 MF cr	45°	H	VAG92444 ■ 56.00 x 8.00 x 13.04
					VAG92194 ■ 60.00 x 8.04 x 13.05
					VAG92369 ■ 60.00 x 8.00 x 13.07
					VAG92445 ■ 60.00 x 8.00 x 13.04

AY290 Fibre Composite, 1.600mm AY300 Fibre Composite, 1.700mm AY310 Fibre Composite, 1.800mm			HBS011 Ⓢ M12x1.25x119.00mm (x12)	JC054 ■ JC055 ■	JN969		NP068 55.00x70.00x8.00mm FPM

AY290, AY300, AY310

FIAT GROUP

683

93.00

Diesel



8144.97 Y 4 Cyl. 22.5:1 2500cc 85kW (115)PS Turbocharged TD1786 1319

B x C x D	OE	MAT.			H	E x F x G
V91292 ■ 40.80 x 8.00 x 120.70	7 301 820	 MB cr	30°	Y	H	VAG92193 ■ 56.00 x 8.04 x 13.05
V91293 ■ 34.50 x 8.00 x 122.00	7 301 821	 MD	45°			VAG92373 ■ 56.00 x 8.03 x 13.04
V91294 ■ 34.50 x 8.00 x 122.00	7 302 157	 MF cr	45°		H	VAG92444 ■ 56.00 x 8.00 x 13.04
						VAG92194 ■ 60.00 x 8.04 x 13.05
						VAG92369 ■ 60.00 x 8.00 x 13.07
						VAG92445 ■ 60.00 x 8.00 x 13.04

AY290 Fibre Composite, 1.600mm AY300 Fibre Composite, 1.700mm AY310 Fibre Composite, 1.800mm			HBS011 ① M12x1.25x119.00mm (x12)	JC054 ■ JC055 ■	JN969		NP068 55.00x70.00x8.00mm FPM

AY290, AY300, AY310

684

93.00

Diesel



CRD93L (U25-661) 4 Cyl. 22.25:1 2500cc 54-55kW (73-75)PS TD22981 1321

TB368 152x30 HNBR TB135 152x30 Polychloroprene (Neoprene)	TBK045 Component No: TB135; AE1011TP;AE1010GP TBK037 Component No: TB368; AE1011TP;AE1010GP			KIT			

AY290 Fibre Composite, 1.600mm AY300 Fibre Composite, 1.700mm AY310 Fibre Composite, 1.800mm		FY291 ▲ [1]	HBS011 ① M12x1.25x119.00mm (x12)	JC054 ■ (x4) JC055 ■ (x4)	JN462	HR602 ■	NP068 55.00x70.00x8.00mm FPM

AY290, AY300, AY310
[1] Without crankshaft seal

[1] sans bague d'étanchéité - vilebrequin [1] senza paraolio-albero a gomiti [1] sin cigüeñal retén

685	93.00	Petrol							
834 F.000	6 Cyl.	2959cc	126kW (171)PS					TD1841	1322
TB383 134x25.4									
	OE	MAT.							
						VAG96263			
						48.50 x 9.00 x 14.05			
						JD222	JN808	JN807	NA5163 32.00x47.00x10.00mm FPM

686	93.00	Petrol							
838 B.000	6 Cyl.	10:1	2959cc	150kW (204)PS				TD4620	1323
TB531 174x28 Eng.→2051777									
TB532 185x28 Eng.2051778 →									
	OE	MAT.							
						VAG96263			
						48.50 x 9.00 x 14.05			
						JD222	JN808	JN807	NA5163 32.00x47.00x10.00mm FPM

687	93.00	Petrol							
841 A.000	6 Cyl.	10:1	2959cc	158kW (215)PS				TD16733	1324
TB532 185x28 →07/05									
	OE	MAT.							
						VAG96263			
						48.50 x 9.00 x 14.05			
BT381 Fibre Composite, 1650mm	CY640	FY640	HBS272	JP071	JP070	HR662	NA5163 32.00x47.00x10.00mm FPM		
AY641 Fibre Composite, 1650mm			M10x1.50x147.00mm (x16)						
AY641	BT381								

FIAT GROUP







688

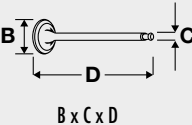


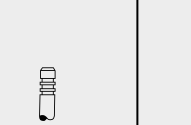
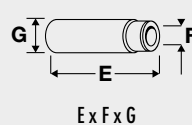


 **93.00**






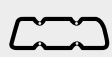

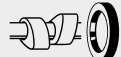



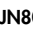
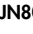
Petrol



AR 06120	6 Cyl.	9.5:1	2959cc	133-136kW (181-185)PS	TD48	1325
AR 06124	6 Cyl.	9.5:1	2959cc	136-138kW (185-188)PS	TD49	1325
AR 61503	6 Cyl.	9.5:1	2959cc	139-141kW (189-192)PS	TD51	1325

					
TB134 134x25.4			KIT		FOL129 (x12)

				
B x C x D	OE	MAT.		Ex F x G
				VAG96197B  38.00 x 7.04 x 12.08 VAG96184  43.00 x 7.04 x 12.08

							
	DW260			JD222  (x2) JD223  (x6) JD224 	JN808  JN807 		NA5163 32.00x47.00x10.00mm FPM



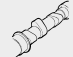



689

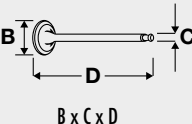


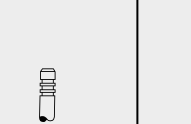
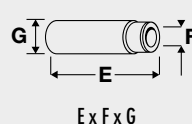


 **93.00**






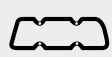

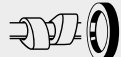

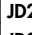



Petrol



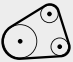










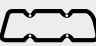

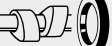











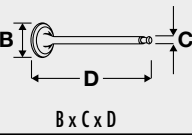




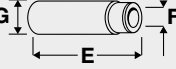
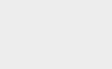









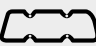

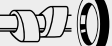






AR 06410	6 Cyl.		2959cc	136-141kW (184-192)PS	TD59	1326
AR 06412	6 Cyl.		2959cc	135kW (184)PS	TD61	1326

					
TB134 134x25.4			KIT		

				
B x C x D	OE	MAT.		Ex F x G
				VAG96197B  38.00 x 7.04 x 12.08 VAG96184  43.00 x 7.04 x 12.08

							
	DW260			JD222  (x2) JD223  (x6) JD224 	JN808  JN807 		NA5163 32.00x47.00x10.00mm FPM

690	 93.00	Petrol					
AR 06430	6 Cyl.	10:1	2959cc	147kW (200)PS	TD64	1324	
							
TB134 134x25.4						FOL129 (x12)	
							
				JD224 			NA5163 32.00x47.00x10.00mm FPM

691	 93.00	Petrol					
AR 16101	6 Cyl.	10:1	2959cc	141kW (192)PS	TD4187	1327	
							
TB383 134x25.4 →08/01						FOL129 (x12)	
							
$B \times C \times D$	OE				$E \times F \times G$		
					VAG96197B  38.00 x 7.04 x 12.08		
					VAG96184  43.00 x 7.04 x 12.08		
							
	DW261			JD222  (x2) JD223  (x6) JD224 	JM5023  (Steel Elastomer) JM5024  (Steel Elastomer)	HR815 	NJ951 32.00x50.00x8.00mm FPM NA5163 32.00x47.00x10.00mm FPM

FIAT GROUP







692

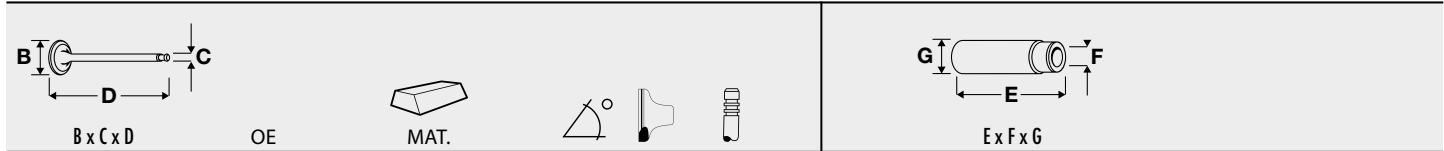
 **93.00**

Petrol





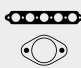
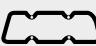

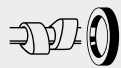


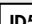





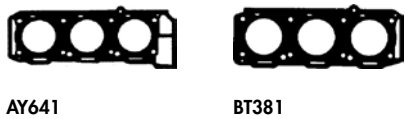
AR 16102 6 Cyl. 10.1:1 2959cc 162kW (220)PS TD5495 **1323**

					
TB532 185x28 09/00 →					



VAG96197B 
38.00 x 7.04 x 12.08
VAG96184 
43.00 x 7.04 x 12.08

							
BT381 Fibre Composite, 1650mm  AY641 Fibre Composite, 1650mm 	CY640	FY640		JD586  (x2) JD587  (x6)	JP071  JP070 		NA5163 32.00x47.00x10.00mm FPM









693

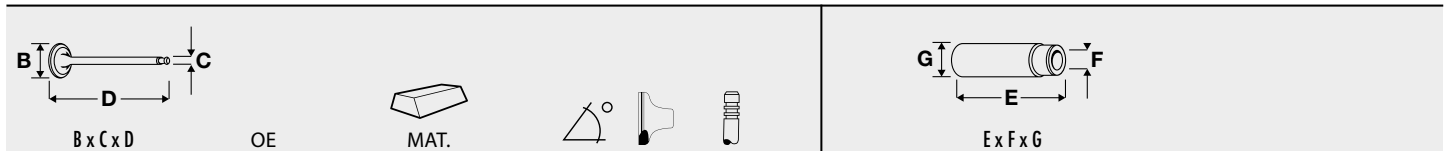
 **93.00**



Petrol





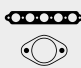
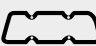

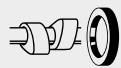


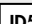





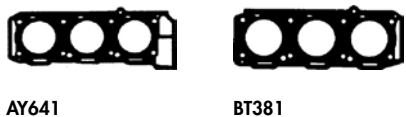
AR 16105 6 Cyl. 10.1:1 2959cc 160kW (218)PS TD15970 **1323**



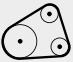

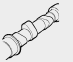



					
TB532 185x28 →03/03					

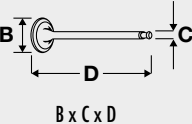

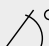


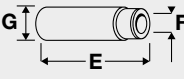








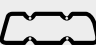

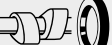

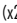
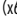


VAG96197B 
38.00 x 7.04 x 12.08
VAG96184 
43.00 x 7.04 x 12.08



							
BT381 Fibre Composite, 1650mm  AY641 Fibre Composite, 1650mm 	CY640	FY640		JD586  (x2) JD587  (x6)	JP071  JP070 		NA5163 32.00x47.00x10.00mm FPM














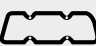

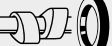


694  93.00 Petrol 	
AR 34301	6 Cyl. 10:1 2959cc 166kW (226)PS TD11603 1323
 	 
TB532 185x28	 

 B x C x D	OE	 MAT.	  	 E x F x G
				VAG96184  43.00 x 7.04 x 12.08

							
BT381 Fibre Composite, 1650mm 	CY640	FY640		JD586  (x2) JD587  (x6)	JP071  JP070 		NA5163 32.00x47.00x10.00mm FPM

	
AY641	BT381

695  93.00 Petrol 							
AR 34302	6 Cyl. 10:1 2959cc 166kW (226)PS TD23348 1324						
 	 						
TB532 185x28	 						
							
							NA5258 27.00x47.00x7.00mm PTFE

FIAT GROUP

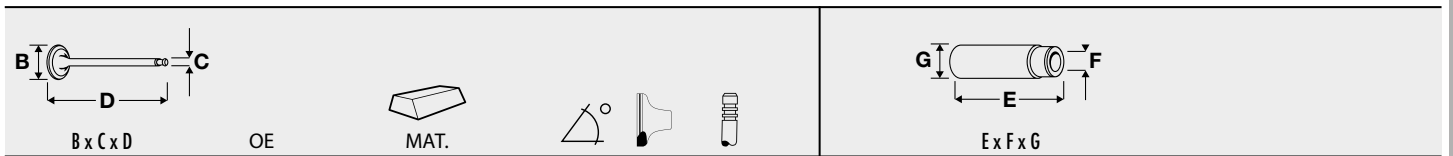
696	93.00	Petrol			
AR 36101	6 Cyl.	2959cc	162kW (220)PS	TD15393	1323
TB532 185x28 →09/07					

 B x C x D OE	 E x F x G
 MAT.	 VAG96197B ■ 38.00 x 7.04 x 12.08 VAG96184 ■ 43.00 x 7.04 x 12.08

BT381 Fibre Composite, 1650mm ■ AY641 Fibre Composite, 1650mm ■	CY640	FY640	JD586 ■ (x2) JD587 ■ (x6)	JP071 ■ JP070 ■	NA5163 32.00x47.00x10.00mm FPM
AY641	BT381				

697	93.00	Petrol			
AR 61501	6 Cyl.	10:1	2959cc	151-155kW (205-211)PS	TD104 1324
TB134 134x25.4					
			JD224 ■		NA5001 32.00x47.00x10.00mm FPM

698	93.00	Petrol				
AR 64301	6 Cyl.	10:1	2959cc	147kW (200)PS	TD106	1326
TB134 134x25.4						FOL129 (x12)



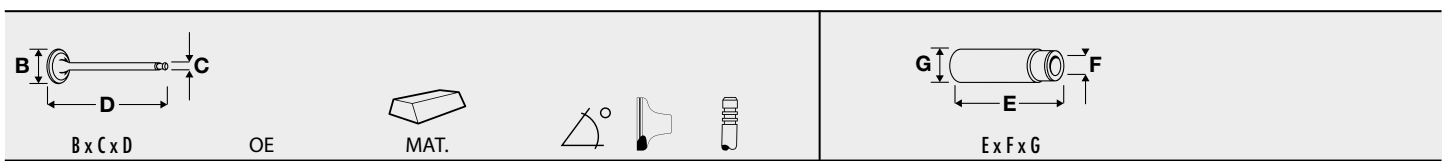
VAG96197B
 38.00 x 7.04 x 12.08

VAG96184
 43.00 x 7.04 x 12.08

							JD224
							NA5163 32.00x47.00x10.00mm FPM

699	93.00	Petrol				
AR 64303	6 Cyl.		2959cc	132kW (180)PS	TD29541	1328
TB383 134x25.4 →10/97						

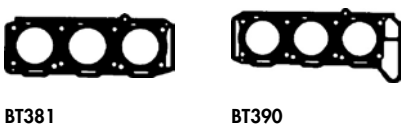
700	93.00	Petrol				
AR 64304	6 Cyl.		2959cc	168-171kW (228-233)PS	TD124	1328
TB531 174x28 →10/97						



VAG96197B
 38.00 x 7.04 x 12.08





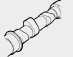





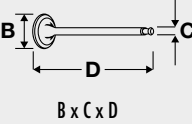



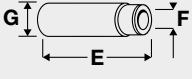






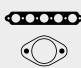
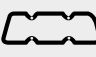



VAG96184
 43.00 x 7.04 x 12.08











BT381 Fibre Composite, 1650mm		GK573			JP068	HR800	NA5163 32.00x47.00x10.00mm FPM
BT390 Fibre Composite					JN813		
					JN814		



BT381 **BT390**

FIAT GROUP

701		 93.00	Petrol				
AR 64305	6 Cyl.	2959cc	132kW (180)PS	TD125	1327		
AR 66303	6 Cyl.	2959cc	132kW (180)PS	TD92	1327		
 	 						
TB383 134x25.4 →10/97					FOL129 (x12)		
 $B \times C \times D$	OE	 MAT.			 $E \times F \times G$		
					VAG96197B  38.00 x 7.04 x 12.08 VAG96184  43.00 x 7.04 x 12.08		
							
				JD224 			NJ951 32.00x50.00x8.00mm FPM NA5163 32.00x47.00x10.00mm FPM

702		 93.00	Petrol		
AR 64306	6 Cyl.	9.5:1 2959cc	132-170kW (180-231)PS	TD25829	1324
 	 				
TB531 174x28 →10/97					

703	93.00	Petrol						
AR 64307	6 Cyl.	2959cc	170kW (231)PS					TD148 1324
TB531 174x28 →10/97								

	OE			VAG96197B 38.00 x 7.04 x 12.08	
B x C x D			Ex F x G	VAG96184 43.00 x 7.04 x 12.08	

BT381 Fibre Composite, 1650mm								NA5163 32.00x47.00x10.00mm FPM
AY641 Fibre Composite, 1650mm								
AY641	BT381							

704	93.00	Petrol						
AR 64308	6 Cyl.	10:1	2959cc	150-170kW (204-231)PS				TD126 1324
AR 66301	6 Cyl.		2959cc	152-155kW (207-211)PS				TD130 1324
AR 66302	6 Cyl.		2959cc	151-155kW (205-211)PS				TD131 1324







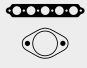
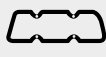



TB531 174x28 →10/97								









BT381 Fibre Composite, 1650mm								NA5163 32.00x47.00x10.00mm FPM
BT381								






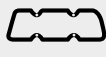









705	93.00	Petrol						
AR 64399	6 Cyl.	2959cc	132-145kW (180-197)PS					TD21728 1324









TB383 134x25.4 →10/97								
				JD224				






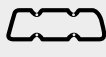









FIAT GROUP



706	 93.00	Petrol	
AR 66306	6 Cyl.	2959cc	157kW (214)PS
			TD21729 1324
			
			
			HR662 

707	 93.00	Petrol	
932 A.000	6 Cyl.	3179cc	184kW (250)PS
			TD16380
			
			
TB532 185x28 →09/06			







			
			
BT381 Fibre Composite, 1650mm 	CY640	 FY640	JD586 
AY641 Fibre Composite, 1650mm 			JD587 
			
AY641	BT381		






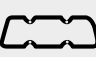









708	 93.00	Petrol	
936 A.000	6 Cyl.	3179cc	176kW (240)PS
			TD18077
			
			
TB532 185x28 →09/07			

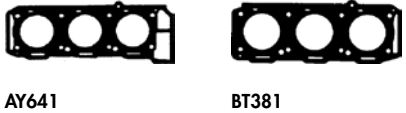
			
			
BT381 Fibre Composite, 1650mm 	CY640	 FY640	JD586 
AY641 Fibre Composite, 1650mm 			JD587 
			
AY641	BT381		



709  **93.00** **Petrol** 

936 A6.000 6 Cyl. 3179cc 176kW (240)PS TD18311

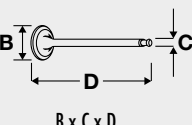
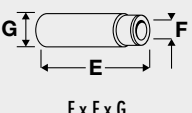








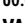

					
TB532 185x28 →10/04					













							
BT381 Fibre Composite, 1650mm  AY641 Fibre Composite, 1650mm 	CY640	FY640		JD586  JD587 	JP071  JP070 	HR662 	NA5001 32.00x47.00x10.00mm FPM

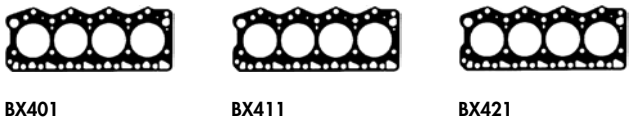


710  **94.40** **Diesel** 

8140.23. 4 Cyl. 18.5:1 2798cc 76kW (103)PS Turbo Intercooled TD7229 1329

	
B x C x D	E x F x G
V91292  7 301 820	VAG92373  
40.80 x 8.00 x 120.70	56.00 x 8.03 x 13.04
V91994  99 432 837	VAG92444  
35.80 x 8.00 x 121.90	56.00 x 8.00 x 13.04
	VAG92369  
	60.00 x 8.00 x 13.07
	VAG92445  
	60.00 x 8.00 x 13.04

							
BX401 Fibre Composite, 1300mm BX411 Fibre Composite, 1400mm BX421 Fibre Composite, 1500mm	DX390  DX391 			JC054  JC055 	JN596		NP068 55.00x70.00x8.00mm FPM



711



94.40

Diesel



8140.23.2585 Euro 2	4 Cyl.	18.5:1	2799cc	78kW (106)PS	Turbo Intercooled	TD16183	1331
8140.23.3700 Euro 2	4 Cyl.	18.5:1	2798cc	76kW (103)PS	Turbo Intercooled	TD10387	1331

 B x C x D				 E x F x G			
OE	MAT.	Angle	Material	OE	MAT.	Angle	Material
V91292 ■ 40.80 x 8.00 x 120.70	7 301 820 MB cr	30°	Y	H	VAG92373 ■ 56.00 x 8.03 x 13.04		
V91994 ■ 35.80 x 8.00 x 121.90	99 432 837 MD cr	45°			VAG92444 ■ 56.00 x 8.00 x 13.04		
					VAG92369 ■ 60.00 x 8.00 x 13.07		
					VAG92445 ■ 60.00 x 8.00 x 13.04		



BX391 Fibre Composite, 1200mm BX401 Fibre Composite, 1300mm BX411 Fibre Composite, 1400mm BX421 Fibre Composite, 1500mm	DX390 ▲ DX391 ▲	GX410 ▲	HBS011 ⊕ M12x1.25x119.00mm (x12) HBS255 ⊕ M12x1.25x160.00mm (x8)	JC054 ■ JC055 ■	HR602 ■	NP068 55.00x70.00x8.00mm FPM NP067 50.00x70.00x10.00mm FPM
--	----------------------------------	----------------	---	----------------------------------	----------------	---



BX391



BX401



BX411



BX421

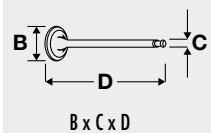
712

94.40

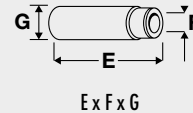
Diesel



8140.23.3701 Euro 2	4 Cyl.	18.5:1	2798cc	76kW (103)PS	Turbo Intercooled	TD27373	1332
8140.23.3710 Euro 2	4 Cyl.	18.5:1	2798cc	76kW (103)PS	Turbo Intercooled	TD27374	1332
8140.23.3711 Euro 2	4 Cyl.	18.5:1	2798cc	76kW (103)PS	Turbo Intercooled	TD27375	1332
8140.23.3713 Euro 2	4 Cyl.	18.5:1	2798cc	76kW (103)PS	Turbo Intercooled	TD27376	1332
8140.23.3720 Euro 2	4 Cyl.	18.5:1	2798cc	76kW (103)PS	Turbo Intercooled	TD27377	1332
8140.23.3721 Euro 2	4 Cyl.	18.5:1	2798cc	76kW (103)PS	Turbo Intercooled	TD27378	1332
8140.23.3730 Euro 2	4 Cyl.	18.5:1	2798cc	76kW (103)PS	Turbo Intercooled	TD27379	1332
8140.23.3731 Euro 2	4 Cyl.	18.5:1	2798cc	76kW (103)PS	Turbo Intercooled	TD27380	1332
8140.23.3750 Euro 2	4 Cyl.	18.5:1	2798cc	76kW (103)PS	Turbo Intercooled	TD27381	1332
8140.23.3751 Euro 2	4 Cyl.	18.5:1	2798cc	76kW (103)PS	Turbo Intercooled	TD27382	1332
8140.43N.4300 Euro 3 (D3)	4 Cyl.	18.5:1	2798cc	108kW (147)PS	Turbo Intercooled	TD25984	1338
8140.43N.4320 Euro 3 (D3)	4 Cyl.	18.5:1	2798cc	108kW (147)PS	Turbo Intercooled	TD25985	1338
8140.43N.4330 Euro 3 (D3)	4 Cyl.	18.5:1	2798cc	108kW (147)PS	Turbo Intercooled	TD25986	1338
8140.43N.4400 Euro 3 (D3)	4 Cyl.	18.5:1	2798cc	108kW (147)PS	Turbo Intercooled	TD25987	1338
8140.43N.4430 Euro 3 (D3)	4 Cyl.	18.5:1	2798cc	108kW (147)PS	Turbo Intercooled	TD25988	1338
8140.43R.4300 Euro 3 (D3)	4 Cyl.	18.5:1	2798cc	66kW (90)PS	Turbo Intercooled	TD25989	1332
8140.43R.4320 Euro 3 (D3)	4 Cyl.	18.5:1	2798cc	66kW (90)PS	Turbo Intercooled	TD25990	1332
8140.43R.4330 Euro 3 (D3)	4 Cyl.	18.5:1	2798cc	66kW (90)PS	Turbo Intercooled	TD25991	1332
8140.43R.4400 Euro 3 (D3)	4 Cyl.	18.5:1	2798cc	66kW (90)PS	Turbo Intercooled	TD25992	1332
8140.43R.4420 Euro 3 (D3)	4 Cyl.	18.5:1	2798cc	66kW (90)PS	Turbo Intercooled	TD25993	1332
8140.43S.4000 Euro 3 (D3)	4 Cyl.	18.5:1	2798cc	92kW (125)PS	Turbo Intercooled	TD25995	1338
8140.43S.4020 Euro 3 (D3)	4 Cyl.	18.5:1	2798cc	92kW (125)PS	Turbo Intercooled	TD25996	1338
8140.43S.4030 Euro 3 (D3)	4 Cyl.	18.5:1	2798cc	92kW (125)PS	Turbo Intercooled	TD25997	1338
8140.43S.4140 Euro 3 (D3)	4 Cyl.	18.5:1	2798cc	92kW (125)PS	Turbo Intercooled	TD25998	1338
8140.43S.4300 Euro 3 (D3)	4 Cyl.	18.5:1	2798cc	92kW (125)PS	Turbo Intercooled	TD25999	1338
8140.43S.4320 Euro 3 (D3)	4 Cyl.	18.5:1	2798cc	92kW (125)PS	Turbo Intercooled	TD26000	1338
8140.43S.4330 Euro 3 (D3)	4 Cyl.	18.5:1	2798cc	92kW (125)PS	Turbo Intercooled	TD26001	1338
8140.43S.4400 Euro 3 (D3)	4 Cyl.	18.5:1	2798cc	92kW (125)PS	Turbo Intercooled	TD26002	1338
8140.43S.4420 Euro 3 (D3)	4 Cyl.	18.5:1	2798cc	92kW (125)PS	Turbo Intercooled	TD26003	1338
8140.43S.4430 Euro 3 (D3)	4 Cyl.	18.5:1	2798cc	92kW (125)PS	Turbo Intercooled	TD26004	1338

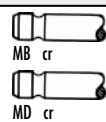


OE



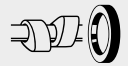
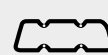
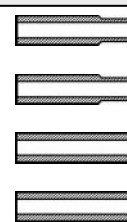
V91292 ■
40.80 x 8.00 x 120.70
V91994 ■
35.80 x 8.00 x 121.90

7 301 820
99 432 837



45°

VAG92373 ■
56.00 x 8.03 x 13.04
VAG92444 ■
56.00 x 8.00 x 13.04
VAG92369 ■
60.00 x 8.00 x 13.07
VAG92445 ■
60.00 x 8.00 x 13.04



NPO68
55.00x70.00x8.00mm FPM

FIAT GROUP

713

 94.40

Diesel



8140.23.3760 Euro 2

4 Cyl.

18.5:1

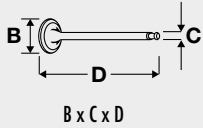
2798cc

76kW (103)PS

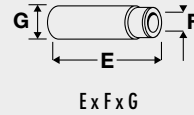
Turbo Intercooled


TD27383

1332

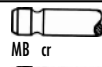


OE



V91292 
40.80 x 8.00 x 120.70


7 301 820




30°

Y

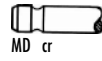
H

VAG92373 
56.00 x 8.03 x 13.04




V91994 
35.80 x 8.00 x 121.90


99 432 837




45°

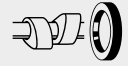
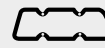
VAG92444 
56.00 x 8.00 x 13.04



VAG92369 
60.00 x 8.00 x 13.07



VAG92445 
60.00 x 8.00 x 13.04



BX411 Fibre Composite, 1400mm

NPO68

55.00x70.00x8.00mm FPM



BX411

714

 94.40

Diesel



8140.23.3801 Euro 2

4 Cyl.

18.5:1

2798cc

76kW (103)PS

Turbo Intercooled

TD27384

1332

8140.23.3811 Euro 2

4 Cyl.

18.5:1

2798cc

76kW (103)PS

Turbo Intercooled

TD27385

1332

8140.23.3821 Euro 2

4 Cyl.

18.5:1

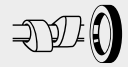
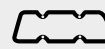
2798cc

76kW (103)PS

Turbo Intercooled



TD27386

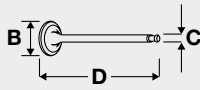
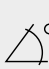


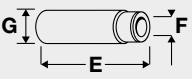
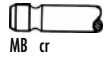
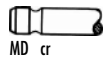
1332





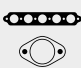
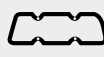









NPO68

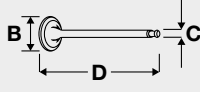
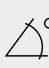


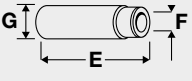
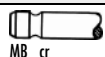
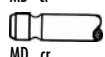
55.00x70.00x8.00mm FPM

715	 94.40	Diesel					
8140.43.2585 Euro 2	4 Cyl.	18.5:1	2798cc	84-90kW (114-122)PS	Turbo Intercooled	TD20423	1329
8140.43.3700 Euro 2	4 Cyl.	18.5:1	2798cc	85kW (116)PS	Turbo Intercooled	TD20424	1329
8140.43.3900 Euro 2	4 Cyl.	18.5:1	2798cc	84-90kW (114-122)PS	Turbo Intercooled	TD20425	1329

 B x C x D	OE	MAT.				 E x F x G
V91292 ■ 40.80 x 8.00 x 120.70	7 301 820	 MB cr	30°	Y	H	VAG92373 ■ 56.00 x 8.03 x 13.04
V91994 ■ 35.80 x 8.00 x 121.90	99 432 837	 MD cr	45°			VAG92444 ■ 56.00 x 8.00 x 13.04
						VAG92369 ■ 60.00 x 8.00 x 13.07
						VAG92445 ■ 60.00 x 8.00 x 13.04

							
BX401 Fibre Composite, 1300mm				JC054 ■ JC055 ■	JN956		
BX411 Fibre Composite, 1400mm							
BX421 Fibre Composite, 1500mm							
							
BX401	BX411	BX421					

716	 94.40	Diesel					
8140.43.3728 Euro 2	4 Cyl.	18.5:1	2798cc	77-85kW (105-116)PS	Turbo Intercooled	TD27432	1332

 B x C x D	OE	MAT.				 E x F x G
V91292 ■ 40.80 x 8.00 x 120.70	7 301 820	 MB cr	30°	Y	H	VAG92373 ■ 56.00 x 8.03 x 13.04
V91994 ■ 35.80 x 8.00 x 121.90	99 432 837	 MD cr	45°			VAG92444 ■ 56.00 x 8.00 x 13.04
						VAG92369 ■ 60.00 x 8.00 x 13.07
						VAG92445 ■ 60.00 x 8.00 x 13.04

FIAT GROUP

717

94.40

Diesel



8140.43. Euro 2

4 Cyl.

18.5:1

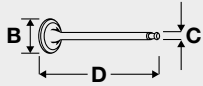
2798cc

90kW (122)PS

Turbo Intercooled

TD7235

1333



B x C x D

OE



MAT.



30°

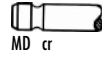
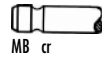
Y



H

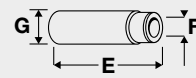
V91292 ■
40.80 x 8.00 x 120.70

7 301 820



V91994 ■
35.80 x 8.00 x 121.90

99 432 837



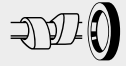
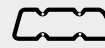
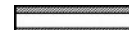
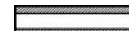
E x F x G

VAG92373 ■
56.00 x 8.03 x 13.04

VAG92444 ■
56.00 x 8.00 x 13.04

VAG92369 ■
60.00 x 8.00 x 13.07

VAG92445 ■
60.00 x 8.00 x 13.04



BX401 Fibre Composite, 1300mm
BX411 Fibre Composite, 1400mm
BX421 Fibre Composite, 1500mm

DX390 ▲

HB5011 ◊
M12x1.25x119.00mm (x12)

JC054 ■
JC055 ■

JN956

HR602 ■

NP068
55.00x70.00x8.00mm FPM



BX401

BX411

BX421

718

94.40

Diesel



8140.43B.4300 Euro 3 (D3)

4 Cyl.

18:1

2798cc

77kW (105)PS

Turbo Intercooled

TD25968

1334

8140.43B.4305 Euro 3 (D3)

4 Cyl.

18:1

2798cc

77kW (105)PS

Turbo Intercooled

TD25966

1334

8140.43B.4325 Euro 3 (D3)

4 Cyl.

18:1

2798cc

77kW (105)PS

Turbo Intercooled

TD25969

1334

8140.43B.4330 Euro 3 (D3)

4 Cyl.

18:1

2798cc

77kW (105)PS

Turbo Intercooled

TD25970

1334

8140.43B.4335 Euro 3 (D3)

4 Cyl.

18:1

2798cc

77kW (105)PS

Turbo Intercooled

TD25971

1334

8140.43C.4000 Euro 3 (D3)

4 Cyl.

18.5:1

2798cc

77kW (105)PS

Turbo Intercooled

TD25972

1332

8140.43C.4005 Euro 3 (D3)

4 Cyl.

18.5:1

2798cc

77kW (105)PS

Turbo Intercooled

TD25973

1332

8140.43C.4025 Euro 3 (D3)

4 Cyl.

18.5:1

2798cc

77kW (105)PS

Turbo Intercooled

TD25976

1332

8140.43C.4026 Euro 3 (D3)

4 Cyl.

18.5:1

2798cc

77kW (105)PS

Turbo Intercooled

TD25977

1332

8140.43K.4020 Euro 3 (D3)

4 Cyl.

18.5:1

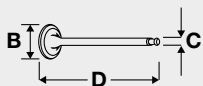
2798cc

92kW (125)PS

Turbo Intercooled

TD25982

1332



B x C x D

OE



MAT.

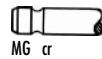
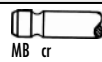


30°

H

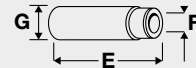
V91939 ■
43.50 x 8.00 x 122.00

98 468 338



V91940 ■
36.70 x 8.00 x 122.00

98 418 161



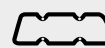
E x F x G

VAG92373 ■
56.00 x 8.03 x 13.04

VAG92444 ■
56.00 x 8.00 x 13.04

VAG92369 ■
60.00 x 8.00 x 13.07

VAG92445 ■
60.00 x 8.00 x 13.04



NP068
55.00x70.00x8.00mm FPM

719	94.40	Diesel						
8140.43B.4320 Euro 3 (D3)	4 Cyl.	18:1	2798cc	77kW (105)PS	Turbo Intercooled	TD25967	1334	
8140.43C.4036 Euro 3 (D3)	4 Cyl.	18.5:1	2798cc	77kW (105)PS	Turbo Intercooled	TD25981	1332	

 B x C x D				 E x F x G			
OE	MAT.						
V91939 ■	98 468 338		30°	H	VAG92373 ■		
43.50 x 8.00 x 122.00		MB cr			56.00 x 8.03 x 13.04		
V91940 ■	98 418 161		45°	H	VAG92444 ■		
36.70 x 8.00 x 122.00		MG cr			56.00 x 8.00 x 13.04		
					VAG92369 ■		
					60.00 x 8.00 x 13.07		
					VAG92445 ■		
					60.00 x 8.00 x 13.04		

BX401 Fibre Composite, 1300mm							NPO68 55.00x70.00x8.00mm FPM



BX401

720	94.40	Diesel						
8140.43B Euro 3 (D3)	4 Cyl.	18.5:1	2798cc	78kW (105)PS	Turbo Intercooled	TD16514	1335	

 B x C x D				 E x F x G			
OE	MAT.						
V91939 ■	98 468 338		30°	H	VAG92373 ■		
43.50 x 8.00 x 122.00		MB cr			56.00 x 8.03 x 13.04		
V91940 ■	98 418 161		45°	H	VAG92444 ■		
36.70 x 8.00 x 122.00		MG cr			56.00 x 8.00 x 13.04		
					VAG92369 ■		
					60.00 x 8.00 x 13.07		
					VAG92445 ■		
					60.00 x 8.00 x 13.04		

BX401 Fibre Composite, 1300mm	DX400 ▲		HBS011 ① M12x1.25x119.00mm (x12)	JC054 ■ JC055 ■	JN956	HR602 ■	



BX401



BX411



BX421

FIAT GROUP

721



94.40

Diesel



8140.43C.4020 Euro 3 (D3)	4 Cyl.	18.5:1	2798cc	77kW (105)PS	Turbo Intercooled	TD25974	1332
8140.43C.4021 Euro 3 (D3)	4 Cyl.	18.5:1	2798cc	77kW (105)PS	Turbo Intercooled	TD25975	1332

 B x C x D		OE	MAT.	 30°	 H	 E x F x G	
V91939	98 468 338		30°	H	VAG92373		
43.50 x 8.00 x 122.00		MB cr			56.00 x 8.03 x 13.04		
V91940	98 418 161		45°	H	VAG92444		
36.70 x 8.00 x 122.00		MG cr			56.00 x 8.00 x 13.04		
					VAG92369		
					60.00 x 8.00 x 13.07		
					VAG92445		
					60.00 x 8.00 x 13.04		

BX421 Fibre Composite, 1500mm							NP068 55.00x70.00x8.00mm FPM



BX421

722



94.40

Diesel





8140.43C.4030 Euro 3 (D3)	4 Cyl.	18.5:1	2798cc	77kW (105)PS	Turbo Intercooled	TD25978	1332
8140.43C.4031 Euro 3 (D3)	4 Cyl.	18.5:1	2798cc	77kW (105)PS	Turbo Intercooled	TD25979	1332

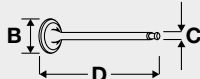
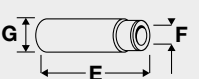



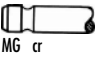






BX421 Fibre Composite, 1500mm							NP068 55.00x70.00x8.00mm FPM






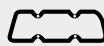

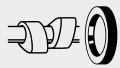


BX421

723  **94.40 Diesel** 



8140.43C.4035 Euro 3 (D3) 4 Cyl. 18.5:1 2798cc 77kW (105)PS Turbo Intercooled TD25980 1332

 B x C x D					 E x F x G				
OE	MAT.								
V91939 ■ 43.50 x 8.00 x 122.00	98 468 338 MB cr		30°			H			
V91940 ■ 36.70 x 8.00 x 122.00	98 418 161 MG cr		45°			H	VAG92373 ■ 56.00 x 8.03 x 13.04		
							VAG92444 ■ 56.00 x 8.00 x 13.04		
							VAG92369 ■ 60.00 x 8.00 x 13.07		
							VAG92445 ■ 60.00 x 8.00 x 13.04		







							
BX411 Fibre Composite, 1400mm							NPO68 55.00x70.00x8.00mm FPM

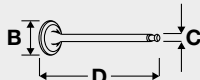
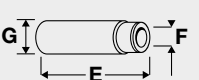



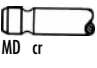
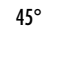











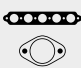
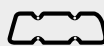



BX411

724  **94.40 Diesel** 

8140.43C Euro 2 4 Cyl. 2798cc 78kW (106)PS Turbo Intercooled TD14449 1336

					
TB558 154x30 01/00→	TBK102 01/00→ Component No: TB558; AE1010GP		KIT		

 B x C x D					 E x F x G				
OE	MAT.								
V91292 ■ 40.80 x 8.00 x 120.70	7 301 820 MB cr		30°			Y	H		
V91994 ■ 35.80 x 8.00 x 121.90	99 432 837 MD cr		45°			H	VAG92373 ■ 56.00 x 8.03 x 13.04		
							VAG92444 ■ 56.00 x 8.00 x 13.04		
							VAG92369 ■ 60.00 x 8.00 x 13.07		
							VAG92445 ■ 60.00 x 8.00 x 13.04		

							
BX391 Fibre Composite, 1200mm BX401 Fibre Composite, 1300mm BX411 Fibre Composite, 1400mm BX421 Fibre Composite, 1500mm	DX391 ▲	GX390 ▲	HBS011 ⊕ M12x1.25x119.00mm (x12)	JC054 ■ JC055 ■ 	JN956	HR602 ■	NPO67 ■ 50.00x70.00x10.00mm FPM



BX391



BX401



BX411



BX421

FIAT GROUP

725

94.40

Diesel



8140.43K.4000 Euro 3 (D3)

4 Cyl.

18.5:1

2798cc

107kW (146)PS

Turbo Intercooled

TD17143

1337

 B x C x D			 MAT.			 E x F x G		
OE								
V91292 ■	7 301 820		30°	Y	H	VAG92373 ■		
40.80 x 8.00 x 120.70		MB cr				56.00 x 8.03 x 13.04		
V91994 ■	99 432 837		45°			VAG92444 ■		
35.80 x 8.00 x 121.90		MD cr				56.00 x 8.00 x 13.04		
						VAG92369 ■		
						60.00 x 8.00 x 13.07		
						VAG92445 ■		
						60.00 x 8.00 x 13.04		

BX401 Fibre Composite, 1300mm					JC054 ■	JN956		NP068
BX411 Fibre Composite, 1400mm					JC055 ■			55.00x70.00x8.00mm FPM
BX421 Fibre Composite, 1500mm								
BX401	BX411	BX421						

726

94.40

Diesel



8140.43N Euro 3 (D3)

4 Cyl.

18.5:1

2798cc

107kW (146)PS



Turbo Intercooled

TD20450

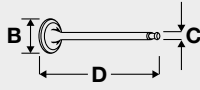
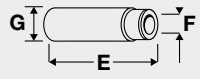




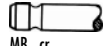


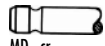



1340






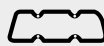

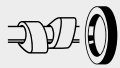


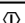







 B x C x D			 MAT.			 E x F x G		
OE								
V91292 ■	7 301 820		30°	Y	H	VAG92373 ■		
40.80 x 8.00 x 120.70		MB cr				56.00 x 8.03 x 13.04		
V91994 ■	99 432 837		45°			VAG92444 ■		
35.80 x 8.00 x 121.90		MD cr				56.00 x 8.00 x 13.04		
						VAG92369 ■		
						60.00 x 8.00 x 13.07		
						VAG92445 ■		
						60.00 x 8.00 x 13.04		



BX391 Fibre Composite, 1200mm	DX392 ▲	GX392 ▲	HBS255 ⊕	JC055 ■	JN956	HR602 ■	NP068	
BX401 Fibre Composite, 1300mm			M12x1.25x160.00mm (x8)				55.00x70.00x8.00mm FPM	
BX411 Fibre Composite, 1400mm								
BX421 Fibre Composite, 1500mm								
BX391	BX401	BX411	BX421					

727  **94.40 Diesel** 






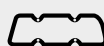






8140.43N Euro 3 (D3) 4 Cyl. 18.5:1 2798cc 107kW (146)PS Turbo Intercooled TD16873 1339



						
B x C x D	OE	MAT.				E x F x G
V91292 	7 301 820		30°	Y	H	VAG92373 
40.80 x 8.00 x 120.70		MB cr				56.00 x 8.03 x 13.04
V91994 	99 432 837		45°			VAG92444 
35.80 x 8.00 x 121.90		MD cr				56.00 x 8.00 x 13.04
						VAG92369 
						60.00 x 8.00 x 13.07
						VAG92445 
						60.00 x 8.00 x 13.04

							
BX391 Fibre Composite, 1200mm	DX392 	GX392 	HBS011  M12x1.25x119.00mm (x12)	JC054  JC055 	JN956	HR602 	NPO68 55.00x70.00x8.00mm FPM
BX401 Fibre Composite, 1300mm							
BX411 Fibre Composite, 1400mm							
BX421 Fibre Composite, 1500mm							
							
BX391	BX401	BX411	BX421				






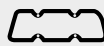

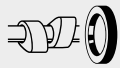

728  **94.40 Diesel** 

8140.43P Euro 3 (D3) 4 Cyl. 18.5:1 2798cc 78kW (106)PS Turbo Intercooled TD22680 1330

							
BX401 Fibre Composite, 1300mm	CH5242 MLS			JC055 			
BX411 Fibre Composite, 1400mm							
BX421 Fibre Composite, 1500mm							
							
BX401	BX411	BX421					

729  **94.40 Diesel** 

8140.43R.4430 Euro 3 (D3) 4 Cyl. 18.5:1 2798cc 66kW (90)PS Turbo Intercooled TD25994 1332

							
BX411 Fibre Composite, 1400mm							NPO68 55.00x70.00x8.00mm FPM
							
BX411							

FIAT GROUP

730

94.40

Diesel



8140.43R Euro 3 (D3)

4 Cyl.

18.5:1

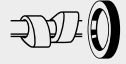
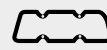
2798cc

66kW (90)PS

Turbo Intercooled

TD18570

1341



BX391 Fibre Composite, 1200mm
 BX401 Fibre Composite, 1300mm
 BX411 Fibre Composite, 1400mm
 BX421 Fibre Composite, 1500mm

DX391 ▲

GX392 ▲

HB5011 ⊕
 M12x1.25x119.00mm (x12)

JC054 ■
 JC055 ■

JN956

HR602 ■

NP068
 55.00x70.00x8.00mm FPM



BX391

BX401

BX411

BX421

731

94.40

Diesel



8140.43S

4 Cyl.

18.5:1

2798cc

94kW (128)PS

Turbo Intercooled

TD16196

1342



TB558

154x30
 →03/01

TB368

152x30

03/01→07/06, HNBR

TBK102

→03/01

Component No: TB558;

AE1010GP

TBK037

03/01→07/06

Component No: TB368;

AE1011TP;AE1010GP

CAM681

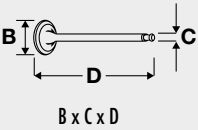
FOL169 (x8) [6]

[6] Mechanical

[6] Mécanique

[6] Meccanico

[6] Mecánico

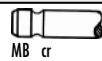


OE



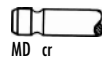
V91292 ■
 40.80 x 8.00 x 120.70

7 301 820

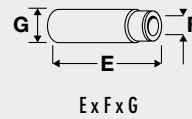


V91994 ■
 35.80 x 8.00 x 121.90

99 432 837



45°



VAG92373 ■

56.00 x 8.03 x 13.04

VAG92444 ■

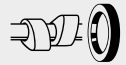
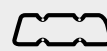
56.00 x 8.00 x 13.04

VAG92369 ■

60.00 x 8.00 x 13.07

VAG92445 ■

60.00 x 8.00 x 13.04



BX391 Fibre Composite, 1200mm
 BX401 Fibre Composite, 1300mm
 BX411 Fibre Composite, 1400mm
 BX421 Fibre Composite, 1500mm

DX391 ▲

DX392 ▲

GX392 ▲

HB5255 ⊕
 M12x1.25x160.00mm (x8)

JC054 ■ (x4)
 JC055 ■ (x4)

JF123

JP069

HR602 ■

NP068
 55.00x70.00x8.00mm FPM





BX391

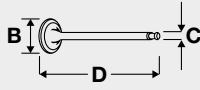
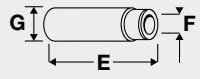



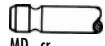
BX401






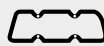

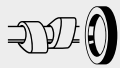




BX411



BX421

732  **94.40 Diesel** 

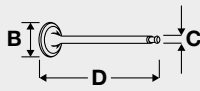
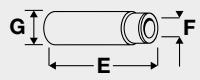
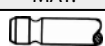


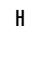
8140.43S Euro 3 (D3) 4 Cyl. 18.5:1 2798cc 92-100kW (125-136)PS Turbo Intercooled TD16874 1339










							
B x C x D	OE	MAT.				E x F x G	
V91292 ■ 40.80 x 8.00 x 120.70	7 301 820	 MB cr	30°			VAG92373 ■ 56.00 x 8.03 x 13.04	
V91994 ■ 35.80 x 8.00 x 121.90	99 432 837	 MD cr	45°			VAG92444 ■ 56.00 x 8.00 x 13.04	
						VAG92369 ■ 60.00 x 8.00 x 13.07	
						VAG92445 ■ 60.00 x 8.00 x 13.04	

							
BX391 Fibre Composite, 1200mm BX401 Fibre Composite, 1300mm BX411 Fibre Composite, 1400mm BX421 Fibre Composite, 1500mm	DX391 ▲	GX390 ▲	HBS011 ◊ M12x1.25x119.00mm (x12)	JC054 ■ JC055 ■	JN956	HR602 ■	NPO68 55.00x70.00x8.00mm FPM
							
BX391	BX401	BX411	BX421				

733  **94.40 Diesel** 

8140.63.4000 Euro 3 (D3) 4 Cyl. 21.7:1 2798cc 62kW (84)PS Turbo Intercooled TD20478 1343

							
B x C x D	OE	MAT.				E x F x G	
V91939 ■ 43.50 x 8.00 x 122.00	98 468 338	 MB cr	30°			VAG92373 ■ 56.00 x 8.03 x 13.04	
V91940 ■ 36.70 x 8.00 x 122.00	98 418 161	 MG cr	45°			VAG92444 ■ 56.00 x 8.00 x 13.04	
						VAG92369 ■ 60.00 x 8.00 x 13.07	
						VAG92445 ■ 60.00 x 8.00 x 13.04	

							
AY680 Fibre Composite, 1.600mm AY690 Fibre Composite, 1.700mm AY700 Fibre Composite, 1.800mm	CY680 ▲	FY690 ▲	HBS255 ◊ M12x1.25x160.00mm (x8)	JC054 ■ JC055 ■	JP069	HR602 ■	
							
AY680, AY690, AY700							

FIAT GROUP

734

94.40

Diesel



8140.63. Euro 2

4 Cyl.

21.7:1

2798cc

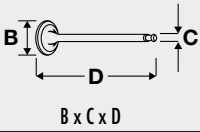
62kW (84)PS

TD10389

1343



CAM718



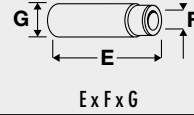
OE



MAT.

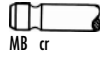


H



V91939 ■
43.50 x 8.00 x 122.00

98 468 338



MB cr

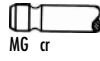
30°

VAG92373 ■
56.00 x 8.03 x 13.04



V91940 ■
36.70 x 8.00 x 122.00

98 418 161



MG cr

45°

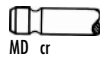
VAG92444 ■
56.00 x 8.00 x 13.04



Eng.→261347

V91994 ■
35.80 x 8.00 x 121.90

99 432 837



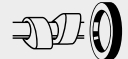
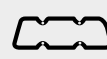
MD cr

45°

VAG92369 ■
60.00 x 8.00 x 13.07



VAG92445 ■
60.00 x 8.00 x 13.04



AY680 Fibre Composite, 1.600mm

CY680 ▲

AY690 Fibre Composite, 1.700mm

JC054 ■

JC055 ■

HR602 ■

NP068

55.00x70.00x8.00mm FPM



AY680, AY690, AY700

735

94.40

Diesel

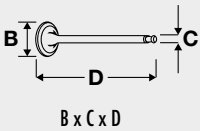


8149.03.3971

4 Cyl.

2798cc

FM45739



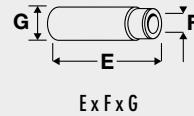
OE



MAT.

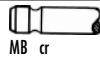


H



V91939 ■
43.50 x 8.00 x 122.00

98 468 338



MB cr

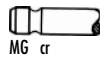
30°

VAG92444 ■
56.00 x 8.00 x 13.04



V91940 ■
36.70 x 8.00 x 122.00

98 418 161



MG cr

45°

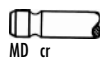
VAG92369 ■
60.00 x 8.00 x 13.07



Eng.→261347

V91994 ■
35.80 x 8.00 x 121.90

99 432 837



MD cr



45°

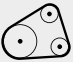

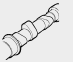



VAG92373 ■
56.00 x 8.03 x 13.04



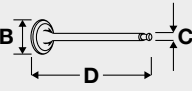
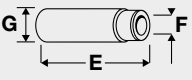




VAG92445 ■
60.00 x 8.00 x 13.04






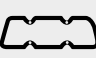








736	 94.40	Diesel					
8140.43	4 Cyl.	18.5:1	2800cc	90kW (122)PS	Turbocharged	TD11769	1344

					
TB558 154x30	TBK102 Component No: TB558; AE1010GP	CAM681	KIT		FOL169 (x8) [6]

[6] Mechanical [6] Mécanique [6] Meccanico [6] Mecánico

	
B x C x D	E x F x G
OE	
MAT.	
	
V91292 ■	VAG92193 ■
7 301 820	56.00 x 8.04 x 13.05
	
MB cr	VAG92373 ■
V91994 ■	56.00 x 8.03 x 13.04
99 432 837	VAG92444 ■
	56.00 x 8.00 x 13.04
MD cr	VAG92194 ■
	60.00 x 8.04 x 13.05
	VAG92369 ■
	60.00 x 8.00 x 13.07
	VAG92445 ■
	60.00 x 8.00 x 13.04

							
BX391 Fibre Composite, 1200mm	DX391 ▲	GX410 ▲	HBS255 ① M12x1.25x160.00mm (x8)	JC054 ■ JC055 ■ JF123	JN956	HR602 ■	NP068 55.00x70.00x8.00mm FPM
BX401 Fibre Composite, 1300mm							
BX411 Fibre Composite, 1400mm							
BX421 Fibre Composite, 1500mm							

			
BX391	BX401	BX411	BX421

FIAT GROUP

737

94.40

Diesel



8140.63 4 Cyl. 21:1 2800cc 64kW (87)PS TD12749 1345

TB701 153x30 →11/01	TBK039 →11/01 Component No: TB701; AE1010GP	CAM718			

 B x C x D	OE	MAT.				 E x F x G
V91939 ■ 43.50 x 8.00 x 122.00	98 468 338	 MB cr	30°		H	VAG92193 ■ 56.00 x 8.04 x 13.05
V91940 ■ 36.70 x 8.00 x 122.00	98 418 161	 MG cr	45°		H	VAG92373 ■ 56.00 x 8.03 x 13.04
V91994 ■ 35.80 x 8.00 x 121.90	99 432 837	 MD cr	45°			VAG92444 ■ 56.00 x 8.00 x 13.04
						VAG92194 ■ 60.00 x 8.04 x 13.05
						VAG92369 ■ 60.00 x 8.00 x 13.07
						VAG92445 ■ 60.00 x 8.00 x 13.04

AY680 Fibre Composite, 1.600mm AY690 Fibre Composite, 1.700mm AY700 Fibre Composite, 1.800mm	CY680 ▲	FY691 ▲	HBS255 ① M12x1.25x160.00mm (x8)	JC054 ■ JC055 ■ (x4) ⊙JF123	JP069	HR602 ■	NP068 55.00x70.00x8.00mm FPM



AY680, AY690, AY700

738



95.00

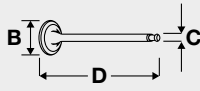
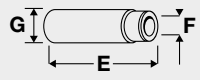
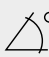






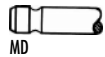



Diesel





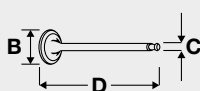
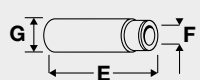
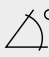






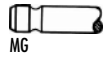

8025.01 2 Cyl. 17:1 1559cc FM569 1346



 B x C x D	OE	MAT.				 E x F x G
V91301 ■ 45.50 x 8.00 x 125.50 01/84→	4 803 805	 MD	30°			VAG92444 ■ 56.00 x 8.00 x 13.04
V91679 ■ 45.50 x 8.00 x 125.50 01/84→	353 722	 MB	30°		H	
V91709 ■ 44.00 x 8.00 x 125.50	4 802 200	 MB	45°		H	
V91302 ■ 37.50 x 8.00 x 125.50 01/84→	4 806 718	 MD cr	45°			
V91304 ■ 37.50 x 8.00 x 125.50 01/84→	99 432 718	 ME cr	45°		H	
V91677 ■ 37.00 x 8.00 x 125.50		 MD	45°			
V91678 ■ 37.00 x 8.00 x 125.50		 MG	45°		H	

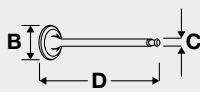
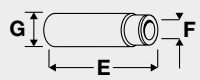
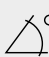



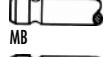


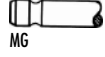

739	 95.00	Diesel			
803 A.062 (8030.01)	3 Cyl.	17:1	2339cc	FM570	1346
804A (8040.01)	4 Cyl.		3119cc	FM4009	1346



						
B x C x D	OE	MAT.				Ex F x G
V91676 	4 659 379		45°		H	VAG92444 
44.00 x 8.00 x 125.50		MB				56.00 x 8.00 x 13.04
V91677 			45°			VAG92497 
37.00 x 8.00 x 125.50		MD				56.00 x 8.04 x 14.03
V91678 			45°		H	
37.00 x 8.00 x 125.50		MG				


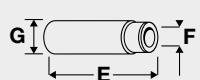
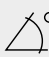



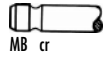

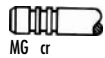
740	 95.00	Diesel				
8030.00	3 Cyl.	17:1	2340cc	28-38kW (38-51)PS	TD22232	1348






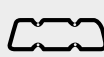



						
B x C x D	OE	MAT.				Ex F x G
V91709 	4 802 200		45°		H	VAG92444 
44.00 x 8.00 x 125.50		MB				56.00 x 8.00 x 13.04
V91667 	4 673 608		45°		H	VAG92497 
37.00 x 8.00 x 125.70		MG				56.00 x 8.04 x 14.03

741	 95.00	Diesel				
8040.00	4 Cyl.	17:1	3120cc	51kW (70)PS	TD24575	1350



						
B x C x D	OE	MAT.				Ex F x G
V91676 	4 659 379		45°		H	VAG92444 
44.00 x 8.00 x 125.50		MB				56.00 x 8.00 x 13.04
V91667 	4 673 608		45°		H	VAG92497 
37.00 x 8.00 x 125.70		MG				56.00 x 8.04 x 14.03

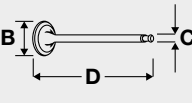
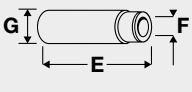
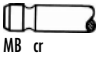
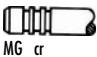
742	 95.80	Diesel					
F1CE0481A	4 Cyl.	19:1	2998cc	100-114kW (136-155)PS	Turbo Intercooled	TD19195	1352
F1CE0481B Euro 3 (D3)	4 Cyl.	19:1	2998cc	122kW (166)PS	Turbo Intercooled	TD22675	1352





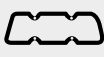





						
B x C x D	OE	MAT.				Ex F x G
V98042 	504 072 531		30°			
32.40 x 5.99 x 119.90		MB cr				
V98043 	504 081 062		30°			
32.40 x 5.98 x 119.90		MG cr				



							
	CG7300 ▲			JD5981 			Soft Material Gasket





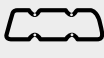



FIAT GROUP



743	 95.80	Diesel				
F1CE0481FA Euro 4 (D4)	4 Cyl.	2998cc	107kW (146)PS	Turbo Intercooled	TD19224	1352
F1CE0481HA EEV	4 Cyl.	2998cc	125-130kW (170-177)PS	Turbo Intercooled	TD19225	1354
F1CE0481HC Euro 4 (D4)	4 Cyl.	2998cc	130kW (176)PS	Turbo Intercooled	TD19230	1354





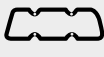



	
B x C x D	E x F x G
OE	MAT.
V98042 	504 072 531
32.40 x 5.99 x 119.90	30°
V98043 	504 081 062
32.40 x 5.98 x 119.90	30°



						
AG6050 MLS, 1.100mm	CG7300 ▲	HBS464 ☉ M15x1.50x193.00mm (x6)	JD5981 	Soft Material Gasket		
AG6060 MLS, 1.200mm						
AG7300 MLS, 1.300mm						

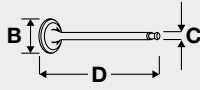

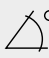


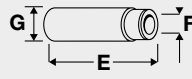




744	 95.80	Diesel				
F1CE3481LC EEV	4 Cyl.	19:1	2998cc	103kW (140)PS	Turbo Intercooled	TD24072





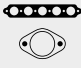
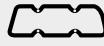






						
			JD5981 	Soft Material Gasket		


745	 95.80	Petrol				
F1CE0441A	4 Cyl.	12.5:1	2999cc	100kW (136)PS		TD24770





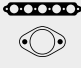
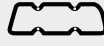






						
			JD5981 	Soft Material Gasket		

746	 95.80	Diesel					
F1CE0481D Euro 4 (D4)	4 Cyl.	19:1	2999cc	115-116kW (156-158)PS	Turbo Intercooled	TD20265	1353

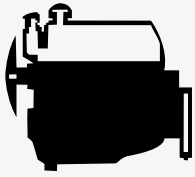
						
B x C x D	OE	MAT.				E x F x G
V98042 	504 072 531		30°			
32.40 x 5.99 x 119.90		MB cr				
V98043 	504 081 062		30°			
32.40 x 5.98 x 119.90		MG cr				

							
AG6050 MLS, 1.100mm	CG7300 ▲			JD5981 	Soft Material Gasket		
AG6060 MLS, 1.200mm							
AG7300 MLS, 1.300mm							
							
AG6050	AG6060	AG7300					

747	 95.80	Diesel					
F1CE3481E Euro 5	4 Cyl.	17.5:1	2999cc	130kW (177)PS	Turbo Intercooled	TD25176	
F1CE3481M Euro 5	4 Cyl.	17.5:1	2999cc	115kW (156)PS	Turbo Intercooled	TD24897	
F1CE3481N Euro 5	4 Cyl.	17.5:1	2999cc	107kW (146)PS	Turbo Intercooled	TD24896	

							
AG6050 MLS, 1.100mm	CG7300 ▲			JD5981 	Soft Material Gasket		
AG6060 MLS, 1.200mm							
AG7300 MLS, 1.300mm							
							
AG6050	AG6060	AG7300					

BOTTOM ENGINE APPLICATIONS



MOTORBLOCKANWENDUNGEN

APPLICAZIONI PARTE BASSA DEL MOTORE

APPLICATIONS BAS MOTEUR

APLICACIONES PARA LA PARTE INFERIOR DEL MOTOR

DÓŁ SILNIKA

ДЕТАЛИ НИЖНЕЙ ЧАСТИ ДВИГАТЕЛЯ

تطبيقات المحرك السفلية



 **GLYCO**[®]



 **GOETZE**[®]



Niral[®]
FITTED WITH  **GOETZE**[®] RINGS



 **Payen**[®]

FIAT GROUP

748	65.00	Petrol	
141 A4.000	4 Cyl.	10.5:1	769cc
			25kW (34)PS
			TD931
141 A4.048	4 Cyl.	9.3:1	770cc
			25kW (34)PS
			TD930

BE/PL	4	39.985/40.005	43.657/43.670	16.550	1.813	0.026/0.084	AL-LF	3025RA	01-4139/4 STD 0.25 0.50
MB/HL 1,3	2	50.785/50.805	54.507/54.520	20.620	1.837	0.028/0.086	AL-LF	62006RA	H1039/3 STD 0.25 0.50
MB/HL 2	1	50.790/50.810	54.507/54.520	22.780	1.837	0.028/0.086	AL-LF	62007RA	
TW/A	2	54.610/54.864	69.596/69.850		2.362		AL-LF	2897AFF	A182/2 STD

749	65.00	Petrol	
141 B.000	4 Cyl.	9.2:1	769cc
			25kW (34)PS
			TD4370
			1

87-209800-30 87-209806-30	STD 0.40mm	08-209800-00 08-209806-00 08-209808-00	STD 0.40mm 0.60mm
A 36.80 D 61.80 20x54		1.75 CR P 2.00 P 3.95 P	14-011001-00 D B 68.04 C 115.00

BE/PL	4	39.985/40.005	43.657/43.670	16.550	1.813	0.026/0.084	AL-LF	3025RA	01-4139/4 STD 0.25 0.50
MB/HL 1,3	2	50.785/50.805	54.507/54.520	20.620	1.837	0.028/0.086	AL-LF	62006RA	H1039/3 STD 0.25 0.50
MB/HL 2	1	50.790/50.810	54.507/54.520	22.780	1.837	0.028/0.086	AL-LF	62007RA	
TW/A	2	54.610/54.864	69.596/69.850		2.362		AL-LF	2897AFF	A182/2 STD

	JJ449	NA5049 64.00x80.00x8.00mm, ACM
	JJ449	

750	65.00	Petrol				
156 A4.000	4 Cyl.	9.4:1	770cc	25kW (34)PS	TD11307	2
156 A4.048	4 Cyl.	9.4:1	770cc	25kW (34)PS	TD11308	3

87-782700-00 87-782708-00 STD 0.60mm A 37.55 B+ 0.80 D 63.35 18x53	08-782700-00 STD 1.50 CR P 1.50 P 3.00 CR [15]	14-011001-00 D B 68.04 C 115.00 	




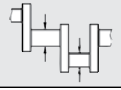
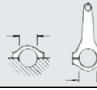


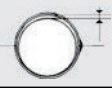

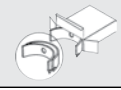
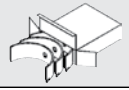
[15] Steel [15] Acier [15] Acciaio [15] Acero



BE/PL	MB/HL 3	MB/HL 1-5	MB/HL 1-5	MB/HL 3						
4	2	5	9	1						
37.998/38.008	48.000/48.100	43.990/44.000	43.990/44.000	43.990/44.000						
41.128/41.140	63.800/64.000	47.705/47.718	47.705/47.718	47.705/47.718						
19.000	2.325	19.000	19.000	23.910						
1.549		1.841	1.848	1.848						
0.022/0.069		0.023/0.081	0.020/0.057	0.020/0.057						
AL-LF	AL-LF	AL-LF	AL-LF	AL-LF						
1015RA	04-4075	1016RA	4271RA	4272RAH						
01-4116/4 STD 0.25 0.50	H1067/5 STD 0.25 0.50		H1091/5 STD							

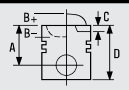
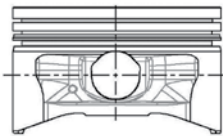
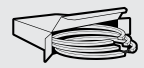
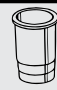


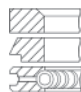


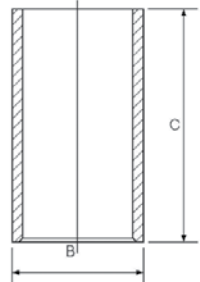
EP280		NB815 23.00x35.00x7.00mm, FPM NB814 70.00x88.00x8.00mm, FPM



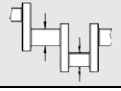
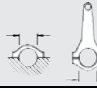


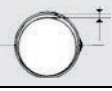

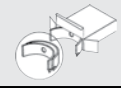
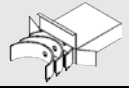
751	65.00	Petrol				
100 G.000	4 Cyl.	8:1	843cc	25kW (34)PS	TD863	4
100 GL.048	4 Cyl.	7.8:1	903cc	29kW (40)PS	TD4413	9
146 A.048	4 Cyl.	9:1	903cc	33kW (45)PS	TD934	12






87-209800-00 87-209806-00 87-209808-00 STD 0.40mm 0.60mm A 30.75 D 61.25 20x54	08-209800-00 STD 08-209806-00 0.40mm 08-209808-00 0.60mm 1.75 CR P 2.00 P 3.95 P	14-011001-00 D B 68.04 C 115.00 	

751		 65.00	Petrol						
									
BE/PL	4	39.985/40.005	43.657/43.670	16.550	1.813	0.026/0.084	AL-LF	3025RA	01-4139/4 STD 0.25 0.50
MB/HL 1,3	2	50.785/50.805	54.507/54.520	20.620	1.837	0.028/0.086	AL-LF	62006RA	H1039/3 STD 0.25 0.50
MB/HL 2	1	50.790/50.810	54.507/54.520	22.780	1.837	0.028/0.086	AL-LF	62007RA	
TW/A	2	54.610/54.864	69.596/69.850		2.362		AL-LF	2897AFF	A182/2 STD

752		 65.00	Petrol							
100 G.002	4 Cyl.	8.8:1	843cc	27kW (37)PS			TD864	4		
100 GC.000	4 Cyl.	9.3:1	843cc	38kW (52)PS			TD868	4		

				
87-209800-00 STD 87-209806-00 0.40mm 87-209808-00 0.60mm A 30.75 D 61.25  20x54	08-209800-00 STD 08-209806-00 0.40mm 08-209808-00 0.60mm 1.75  CR P 2.00  P 3.95  P	14-011001-00 D B 68.04 C 115.00 		

									
BE/PL	4	39.985/40.005	43.657/43.670	16.550	1.813	0.026/0.084	AL-LF	3025RA	01-4139/4 STD 0.25 0.50
MB/HL 1,3	2	50.785/50.805	54.507/54.520	20.620	1.837	0.028/0.086	AL-LF	62006RA	H1039/3 STD 0.25 0.50
MB/HL 2	1	50.790/50.810	54.507/54.520	22.780	1.837	0.028/0.086	AL-LF	62007RA	
TW/A	2	54.610/54.864	69.596/69.850		2.362		AL-LF	2897AFF	A182/2 STD

		
	HC027 	
		
	HC027	

753	65.00	Petrol	
100 GB.000	4 Cyl.	8.8:1	843cc
			35kW (47)PS
			TD865
			4

	08-209800-00 STD 08-209806-00 0.40mm 08-209808-00 0.60mm 1.75 CR P 2.00 P 3.95 P		

BE/PL	MB/HL 1,3	MB/HL 2	TW/A							
4	2	1	2	39.985/40.005	50.785/50.805	50.790/50.810	54.610/54.864	43.657/43.670	54.507/54.520	54.507/54.520
				16.550	20.620	22.780	69.596/69.850	1.813	1.837	1.837
				0.026/0.084	0.028/0.086	0.028/0.086		AL-LF	AL-LF	AL-LF
				3025RA	62006RA	62007RA	2897AFF			
										01-4139/4 STD 0.25 0.50 H1039/3 STD 0.25 0.50 A182/2 STD

	HC027	
	HC027	

754	65.00	Petrol	
100 GBS.000	4 Cyl.		903cc
			38kW (52)PS
			TD867
			7
100 GL.064	4 Cyl.	9:1	903cc
			33kW (45)PS
			TD23116
100 GL6.000	4 Cyl.	8:1	843cc
			25kW (34)PS
			TD21449
M020 AA.09.0	4 Cyl.	9:1	903cc
			33kW (45)PS
			TD22241

	08-209800-00 STD 08-209806-00 0.40mm 08-209808-00 0.60mm 1.75 CR P 2.00 P 3.95 P		

BE/PL	MB/HL 1,3	MB/HL 2	TW/A							
4	2	1	2	39.985/40.005	50.785/50.805	50.790/50.810	54.610/54.864	43.657/43.670	54.507/54.520	54.507/54.520
				16.550	20.620	22.780	69.596/69.850	1.813	1.837	1.837
				0.026/0.084	0.028/0.086	0.028/0.086		AL-LF	AL-LF	AL-LF
				3025RA	62006RA	62007RA	2897AFF			
										01-4139/4 STD 0.25 0.50 H1039/3 STD 0.25 0.50 A182/2 STD

FIAT GROUP

755	65.00	Petrol		
1170 A1.000	4 Cyl.	899cc	29-30kW (40-41)PS	TD1030 5

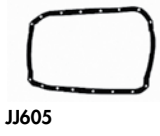
	08-209800-00 STD 08-209806-00 0.40mm 08-209808-00 0.60mm 1.75 CR P 2.00 P 3.95 P		

BE/PL	4	39.985/40.005	43.657/43.670	16.550	1.813	0.026/0.084	AL-LF	3025RA	01-4139/4 STD 0.25 0.50
MB/HL 1,3	2	50.785/50.805	54.507/54.520	20.620	1.837	0.028/0.086	AL-LF	62006RA	H1039/3 STD 0.25 0.50
MB/HL 2	1	50.790/50.810	54.507/54.520	22.780	1.837	0.028/0.086	AL-LF	62007RA	
TW/A	2	54.610/54.864	69.596/69.850		2.362		AL-LF	2897AFF	A182/2 STD

--	--	--

JJ605




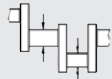
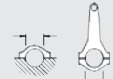






NA5177 42.00x56.00x7.00mm, FPM
NB808 64.00x80.00x8.00mm, FPM





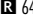




756	65.00	Petrol		
1170 A1.046	4 Cyl.	8.8:1 899cc	29kW (39)PS	TD872 6

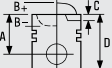
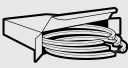

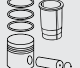



87-145100-00 STD 87-145106-00 0.40mm 87-145108-00 0.60mm A 31.25 D 54.25 20x54 	08-145100-00 STD 08-145106-00 0.40mm 08-145108-00 0.60mm 1.50 NT P 3.00 P 08-145100-10 STD 1.50 P 1.50 P 3.00 P	14-011001-00 D B 68.04 C 115.00 	



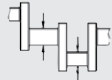
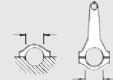






...Continued

756		 65.00		Petrol					
									
BE/PL	4	39.985/40.005	43.657/43.670	16.550	1.813	0.026/0.084	AL-LF	3025RA	01-4139/4 STD 0.25 0.50
MB/HL 1,3	2	50.785/50.805	54.507/54.520	20.620	1.837	0.028/0.086	AL-LF	62006RA	H1039/3 STD 0.25 0.50
MB/HL 2	1	50.790/50.810	54.507/54.520	22.780	1.837	0.028/0.086	AL-LF	62007RA	
TW/A	2	54.610/54.864	69.596/69.850		2.362		AL-LF	2897AFF	A182/2 STD

		
	JJ605	NA5177  42.00x56.00x7.00mm, FPM NB808  64.00x80.00x8.00mm, FPM
		
	JJ605	

757		 65.00		Petrol					
100 GBC.000	4 Cyl.	9.5:1	903cc			38kW (52)PS		TD866	7
100 GBC.040	4 Cyl.	9.5:1	903cc			38kW (52)PS		TD23115	

			
	08-209800-00 STD 08-209806-00 0.40mm 08-209808-00 0.60mm 1.75  CR P 2.00  P 3.95  P		

									
BE/PL	4	39.985/40.005	43.657/43.670	16.550	1.813	0.026/0.084	AL-LF	3025RA	01-4139/4 STD 0.25 0.50
TW/A	2	54.610/54.864	69.596/69.850		2.362		AL-LF	2897AFF	A182/2 STD

FIAT GROUP

758	65.00	Petrol					
100 GF 000	4 Cyl.	7.8:1	903cc	26kW (35)PS		TD6939	8
100 GL.000	4 Cyl.	9:1	903cc	30-33kW (41-45)PS		TD870	8



87-209800-00 STD 87-209806-00 0.40mm 87-209808-00 0.60mm A 30.75 D 61.25 	08-209800-00 STD 08-209806-00 0.40mm 08-209808-00 0.60mm 1.75 CR P 2.00 P 3.95 P	14-011001-00 D B 68.04 C 115.00 	

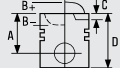
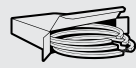
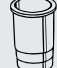
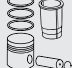




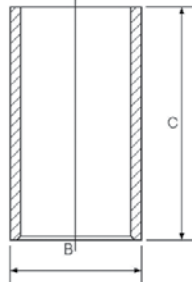
BE/PL	4	39.985/40.005	43.657/43.670	16.550	1.813	0.026/0.084	AL-LF	3025RA	01-4139/4 STD 0.25 0.50 H1039/3 STD 0.25 0.50 A182/2 STD
MB/HL 1,3	2	50.785/50.805	54.507/54.520	20.620	1.837	0.028/0.086	AL-LF	62006RA	
MB/HL 2	1	50.790/50.810	54.507/54.520	22.780	1.837	0.028/0.086	AL-LF	62007RA	
TW/A	2	54.610/54.864	69.596/69.850		2.362		AL-LF	2897AFF	



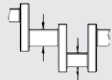
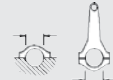






			HC027					NA5049 64.00x80.00x8.00mm, ACM NB808 64.00x80.00x8.00mm, FPM	
			 HC027						




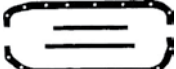


759	65.00	Petrol					
100 GL.040	4 Cyl.	7.8:1	903cc	38kW (52)PS		TD22509	



BE/PL	4	39.985/40.005	43.657/43.670	16.550	1.813	0.026/0.084	AL-LF	3025RA	01-4139/4 STD 0.25 0.50 A182/2 STD
TW/A	2	54.610/54.864	69.596/69.850		2.362		AL-LF	2897AFF	

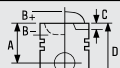
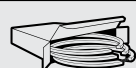


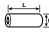



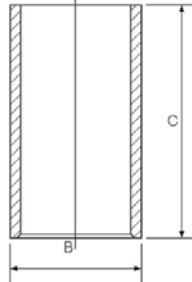
760  **65.00** **Petrol** 
100 GL3.000 **4 Cyl.** **9:1** **903cc** **33kW (45)PS** **TD869** **10**

			
87-209800-00 STD 87-209806-00 0.40mm 87-209808-00 0.60mm A 30.75 D 61.25  20x54	08-209800-00 STD 08-209806-00 0.40mm 08-209808-00 0.60mm 1.75  CR P 2.00  P 3.95  P	14-011001-00 D B 68.04 C 115.00 	

									
BE/PL	4	39.985/40.005	43.657/43.670	16.550	1.813	0.026/0.084	AL-LF	3025RA	01-4139/4 STD 0.25 0.50
MB/HL 1,3	2	50.785/50.805	54.507/54.520	20.620	1.837	0.028/0.086	AL-LF	62006RA	H1039/3 STD 0.25 0.50
MB/HL 2	1	50.790/50.810	54.507/54.520	22.780	1.837	0.028/0.086	AL-LF	62007RA	
TW/A	2	54.610/54.864	69.596/69.850		2.362		AL-LF	2897AFF	A182/2 STD



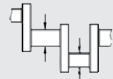
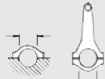





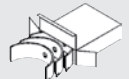
		
	HC027  → Eng.8064870 HC027	NA5049  64.00x80.00x8.00mm, ACM NB808  64.00x80.00x8.00mm, FPM

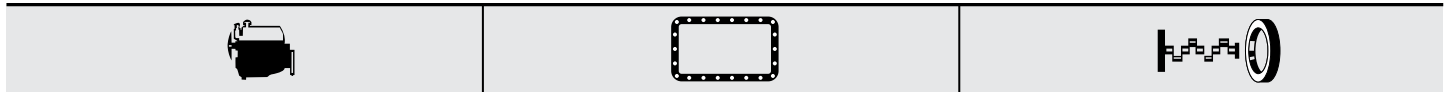
761  **65.00** **Petrol** 
146 A.000 **4 Cyl.** **9:1** **903cc** **33kW (45)PS** **TD4371** **11**

			
87-209800-10 [17] STD 87-209806-10 [17] 0.40mm 87-209808-10 [17] 0.60mm A 31.25 D 61.75  20x54	08-209800-00 STD 08-209806-00 0.40mm 08-209808-00 0.60mm 1.75  CR P 2.00  P 3.95  P	14-011001-00 D B 68.04 C 115.00 	



[17] Without circlips [17] Sans circlips [17] Pistone con spinotto montato a caldo [17] Sin anillos de retención

761 65.00 Petrol

									
BE/PL	4	39.985/40.005	43.657/43.670	16.550	1.813	0.026/0.084	AL-LF	3025RA	01-4139/4 STD 0.25 0.50
MB/HL 1,3	2	50.785/50.805	54.507/54.520	20.620	1.837	0.028/0.086	AL-LF	62006RA	H1039/3 STD 0.25 0.50
MB/HL 2	1	50.790/50.810	54.507/54.520	22.780	1.837	0.028/0.086	AL-LF	62007RA	
TW/A	2	54.610/54.864	69.596/69.850		2.362		AL-LF	2897AFF	A182/2 STD



HC027 
→Eng.8064870

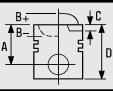
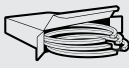
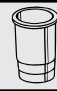

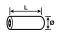



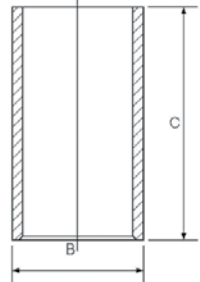
NA5049  64.00x80.00x8.00mm, ACM
NB808  64.00x80.00x8.00mm, FPM



HC027

762 65.00 Petrol

146 A1.000 4 Cyl. 9:1 903cc 33kW (45)PS TD4372 13



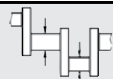
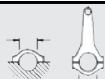





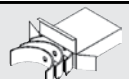
			
87-209800-10 [17] STD 87-209806-10 [17] 0.40mm 87-209808-10 [17] 0.60mm A 31.25 D 61.75  20x54	08-209800-00 STD 08-209806-00 0.40mm 08-209808-00 0.60mm 1.75  CR P 2.00  P 3.95  P	14-011001-00 D B 68.04 C 115.00 	

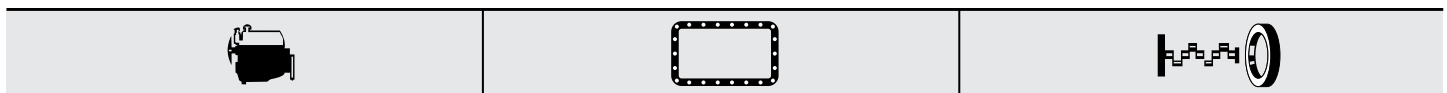
[17] Without circlips

[17] Sans circlips



[17] Pistone con spinotto montato a caldo

[17] Sin anillos de retención

									
BE/PL	4	39.985/40.005	43.657/43.670	16.550	1.813	0.026/0.084	AL-LF	3025RA	01-4139/4 STD 0.25 0.50
TW/A	2	54.610/54.864	69.596/69.850		2.362		AL-LF	2897AFF	A182/2 STD



HC027 
→Eng.8064870

NA5049  64.00x80.00x8.00mm, ACM
NB808  64.00x80.00x8.00mm, FPM



HC027

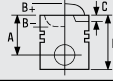
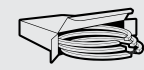


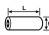



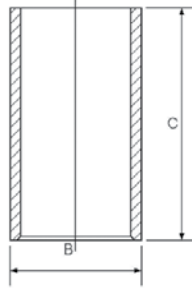



763



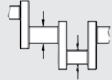
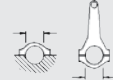






 65.00








Petrol



170 A1.000	4 Cyl.	8.8:1	903cc	30kW (41)PS	TD15810	14
170 A1.046	4 Cyl.	8.8:1	903cc	30kW (41)PS	TD15811	15

			
<p>87-145100-00 STD 87-145106-00 0.40mm 87-145108-00 0.60mm</p> <p>A 31.25 D 54.25  20x54</p>	<p>08-145100-00 STD 08-145106-00 0.40mm 08-145108-00 0.60mm</p> <p>1.50  NT 1.50  P 3.00  P</p>	<p>14-011001-00 D B 68.04 C 115.00</p> 	
	<p>08-145100-10 STD</p> <p>1.50  P 1.50  P 3.00  P</p>		

									
BE/PL	4	39.985/40.005	43.657/43.670	16.550	1.813	0.026/0.084	AL-LF	3025RA	01-4139/4 STD 0.25 0.50
MB/HL 1,3	2	50.785/50.805	54.507/54.520	20.620	1.837	0.028/0.086	AL-LF	62006RA	H1039/3 STD 0.25 0.50
MB/HL 2	1	50.790/50.810	54.507/54.520	22.780	1.837	0.028/0.086	AL-LF	62007RA	
TW/A	2	54.610/54.864	69.596/69.850		2.362		AL-LF	2897AFF	A182/2 STD

		
	<p>JJ449 →02/98 JJ605 03/98→</p>  <p>JJ449</p>  <p>JJ605</p>	<p>NA5177  42.00x56.00x7.00mm, FPM NB808  64.00x80.00x8.00mm, FPM</p>

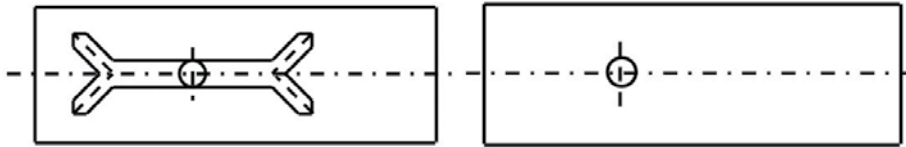
FIAT GROUP

764	65.00	Petrol							
903	4 Cyl.	903cc	33kW (45)PS	TD6824	7				

BE/PL	4	49.984/50.000	53.695/53.708	20.050	1.830	0.040/0.090	AL-LF	66725RA	01-4200/4 STD 0.30 0.50
MB/HL 1-5	5	59.981/60.000	63.731/63.750	20.290	1.845	0.040/0.100	AL-LF	66726RA	H1057/5 STD 0.30 0.50
TW/A	4	67.050/67.300	83.050/83.300		2.330		BS	66721BF	A214/4 STD 0.10
SE/PB	1	25.007/25.020	27.200/27.221	24.050			BS	66729YA	55-4201 SEMI
SE/PB	1	25.007/25.020	27.000/27.021	24.150			BS	66729Y	55-4266 STD

66729YA

66729Y



765	65.00	Petrol							
A112 A.000	4 Cyl.	9:1	903cc	21-32kW (29-44)PS	TD1856	16			
A112 B2.000	4 Cyl.	9:1	903cc	29-32kW (40-44)PS	TD4622	17			

87-209800-00 STD 87-209806-00 0.40mm 87-209808-00 0.60mm A 30.75 D 61.25 20x54	08-209800-00 STD 08-209806-00 0.40mm 08-209808-00 0.60mm 1.75 CR P 2.00 P 3.95 P	14-011001-00 D B 68.04 C 115.00 	
87-209800-10 [17] STD 87-209806-10 [17] 0.40mm 87-209808-10 [17] 0.60mm A 31.25 D 61.75 20x54	08-209800-00 STD 08-209806-00 0.40mm 08-209808-00 0.60mm 1.75 CR P 2.00 P 3.95 P		




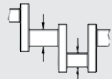
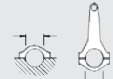




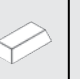






[17] Without circlips


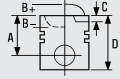
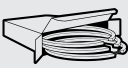
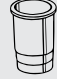

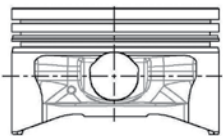
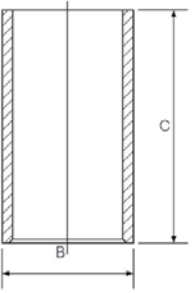








[17] Sans circlips



[17] Pistone con spinotto montato a caldo

[17] Sin anillos de retención

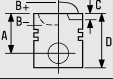

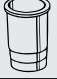


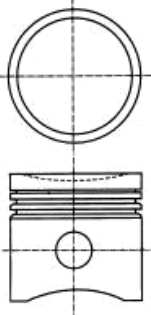
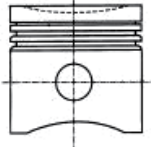



...Continued



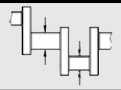
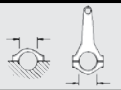


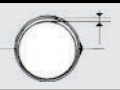


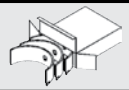
765  65.00 Petrol											
											
BE/PL	4	39.985/40.005	43.657/43.670	16.550	1.813	0.026/0.084	AL-LF	3025RA	01-4139/4 STD 0.25 0.50		
MB/HL 1,3	2	50.785/50.805	54.507/54.520	20.620	1.837	0.028/0.086	AL-LF	62006RA	H1039/3 STD 0.25 0.50		
MB/HL 2	1	50.790/50.810	54.507/54.520	22.780	1.837	0.028/0.086	AL-LF	62007RA			
TW/A	2	54.610/54.864	69.596/69.850		2.362		AL-LF	2897AFF	A182/2 STD		
											
NB808  64.00x80.00x8.00mm, FPM											



766  65.00 Petrol										
A112 A5.000		4 Cyl.	9:1	903cc	29-31kW (40-42)PS				TD1803	16
										
87-209800-00	STD				08-209800-00	STD	14-011001-00 D B 68.04 C 115.00 			
87-209806-00	0.40mm				08-209806-00	0.40mm				
87-209808-00	0.60mm				08-209808-00	0.60mm				
A 30.75		1.75		CR P						
D 61.25		2.00		P						
 20x54		3.95		P						
  										
NB808  64.00x80.00x8.00mm, FPM										

767  **67.20** **Petrol** 

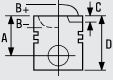
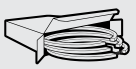
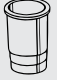




A112 A2.000 4 Cyl. 10.2:1 1050cc **51kW (69)PS** **TD4621** **18**

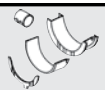

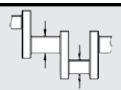
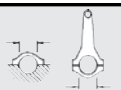


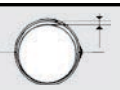

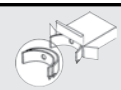
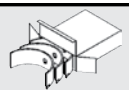
			
87-782606-00 0.40mm 87-782608-00 0.60mm A 30.75 B- 1.50 D 54.75  18x56	 	08-782600-00 STD 08-782606-00 0.40mm 08-782608-00 0.60mm 1.50  CR P 1.75  P 3.95  CR [15]	
[15] Steel	[15] Acier	[15] Acciaio	[15] Acero



									
BE/PL	4	39.985/40.005	43.657/43.670	16.550	1.813	0.026/0.084	AL-LF	3025RA	01-4139/4 STD 0.25 0.50
MB/HL 1,3	2	53.910/53.930	57.548/57.561	20.620	1.797		AL-LF	66446RA	H1178/3 STD 0.25
MB/HL 2	1	53.910/53.930	57.548/57.561	21.340	1.797		AL-LF	66447RA	
TW/A	2	59.436/59.960	72.771/73.025		2.320		AL-LF	66447BF	A206/2 STD

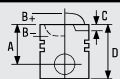
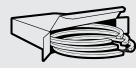





768  **67.20** **Petrol** 

A 112 AB.2C.0 4 Cyl. 10.2:1 1050cc **51kW (70)PS** **TD22321**



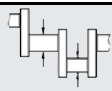
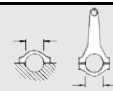


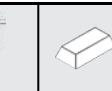



			
	08-782600-00 STD 08-782606-00 0.40mm 08-782608-00 0.60mm 1.50  CR P 1.75  P 3.95  CR [15]		
[15] Steel	[15] Acier	[15] Acciaio	[15] Acero



									
BE/PL	4	39.985/40.005	43.657/43.670	16.550	1.813	0.026/0.084	AL-LF	3025RA	01-4139/4 STD 0.25 0.50
MB/HL 1,3	2	53.910/53.930	57.548/57.561	20.620	1.797		AL-LF	66446RA	H1178/3 STD 0.25
MB/HL 2	1	53.910/53.930	57.548/57.561	21.340	1.797		AL-LF	66447RA	
TW/A	2	59.436/59.960	72.771/73.025		2.320		AL-LF	66447BF	A206/2 STD

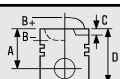
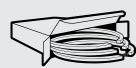

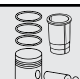



769  **67.20** **Petrol** 
A112 B1.000 4 Cyl. 9.2:1 965cc **35kW (48)PS** **TD1824** **19**

			
	08-782600-00 STD 08-782606-00 0.40mm 08-782608-00 0.60mm 1.50  CR P 1.75  P 3.95  CR [15]		



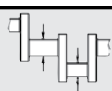
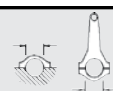


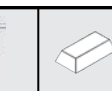
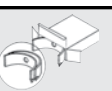


[15] Steel [15] Acier [15] Acciaio [15] Acero



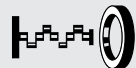
										
BE/PL 4	MB/HL 1,3 2	MB/HL 2 1	TW/A 2	39.985/40.005	43.657/43.670	16.550	1.813	0.026/0.084	AL-LF 3025RA	01-4139/4 STD 0.25 0.50
				50.785/50.805	54.507/54.520	20.620	1.837	0.028/0.086	AL-LF 62006RA	H1039/3 STD 0.25 0.50
				50.790/50.810	54.507/54.520	22.780	1.837	0.028/0.086	AL-LF 62007RA	
				54.610/54.864	69.596/69.850		2.362		AL-LF 2897AFF	A182/2 STD

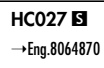
770  **67.20** **Petrol** 
A 112 B1.054 4 Cyl. 9.2:1 965cc **35-36kW (48-49)PS** **TD4412** **20**

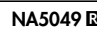
			
	08-782600-00 STD 08-782606-00 0.40mm 08-782608-00 0.60mm 1.50  CR P 1.75  P 3.95  CR [15]		


[15] Steel [15] Acier [15] Acciaio [15] Acero



										
BE/PL 4	MB/HL 1,3 2	MB/HL 2 1	TW/A 2	39.985/40.005	43.657/43.670	16.550	1.813	0.026/0.084	AL-LF 3025RA	01-4139/4 STD 0.25 0.50
				50.785/50.805	54.507/54.520	20.620	1.837	0.028/0.086	AL-LF 62006RA	H1039/3 STD 0.25 0.50
				50.790/50.810	54.507/54.520	22.780	1.837	0.028/0.086	AL-LF 62007RA	
				54.610/54.864	69.596/69.850		2.362		AL-LF 2897AFF	A182/2 STD

		
---	---	---

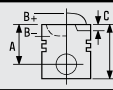
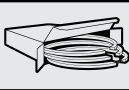
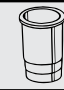

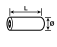



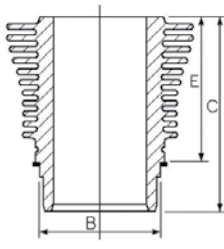
HC027 
 →Eng.8064870

NA5049  64.00x80.00x8.00mm, ACM


HC027

771  **67.40** **Petrol** 

110 D.000 2 Cyl. 7:1 499cc **13kW (18)PS** **TD23456**

			
<p>87-528300-00 STD 87-528306-00 0.40mm</p> <p>A 39.80 B+ 4.00 D 72.30</p> <p> 20x58</p>	<p>08-528300-00 STD 08-528306-00 0.40mm</p> <p>2.00  CR P 2.00  P 3.50  P</p>	<p>[10] B 75.00 C 130.00 E 90.00</p> 	<p>88-528300-00</p>

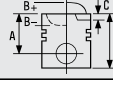
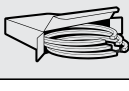


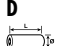




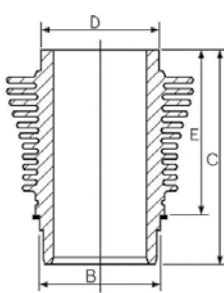
[10] Liner available in Kit Set only [10] Chemise disponible en kit seulement [10] Cilindro disponibile solo in kit motore [10] Camisas disponible en conjuntos solamente.

									
BE/PL	2	44.013/44.033	47.130/47.142	19.200	1.543	0.011/0.068	AL-LF	60005RA	01-4112/2 STD 0.25 0.50
SE/PB	1	19.507/19.609	22.009/22.034	20.830			BS	60009X	55-4210 SEMI

772  **67.40** **Petrol** 

110 F.000 2 Cyl. 7.1:1 499cc **13kW (18)PS** **TD871** **21**







120.000 2 Cyl. 499cc **13kW (18)PS** **TD873** **21**



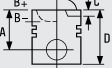
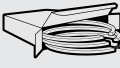





			
<p>87-527600-00 STD 87-527606-00 0.40mm 87-527608-00 0.60mm</p> <p>A 37.95 B+ 2.75 D 74.70</p> <p> 20x55</p>	<p>08-527600-00 STD 08-527606-00 0.40mm 08-527608-00 0.60mm</p> <p>2.00  CR P 2.00  P 2.00  P 3.96  P</p>	<p>[10] B 75.00 C 130.90 E 89.90</p> 	<p>88-527600-00</p>



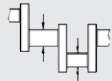
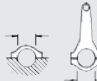





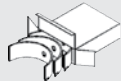
[10] Liner available in Kit Set only [10] Chemise disponible en kit seulement [10] Cilindro disponibile solo in kit motore [10] Camisas disponible en conjuntos solamente.






									
BE/PL	2	44.013/44.033	47.130/47.142	19.200	1.543	0.011/0.068	AL-LF	60005RA	01-4112/2 STD 0.25 0.50
SE/PB	1	19.507/19.609	22.009/22.034	20.830			BS	60009X	55-4210 SEMI



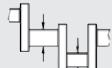








...Continued

772	 67.40	Petrol
		
	JH310 	NA5045  53.00x68.00x10.00mm, ACM
	JH310	





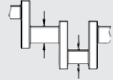
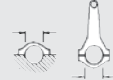





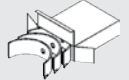



773	 69.60	Diesel				
169 A1.000	4 Cyl.	17.6:1	1248cc	55kW (75)PS	TD20236	22
						
	08-137600-00 STD 08-137606-00 0.40mm					
	2.00  CK P 1.50  P 2.00  P					



									
BE/PL	4	42.582/42.600	45.734/45.744	20.000	1.552	0.030/0.062	BS	71-4033	71-4033/4 STD .010
MB/HL 1,2,4,5	4	50.982/51.000	54.710/54.722	19.000	1.840	0.026/0.050	AL-LF	02-4034	H1011/5 STD 0.25
MB/HL 3	1	50.982/51.000	54.710/54.722	23.950	1.840	0.026/0.050	AL-LF	02-4035H	
SE/PB	1	23.000	25.747/25.772	25.000			BS-LF	55-4077	55-4077 SEMI

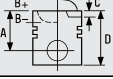
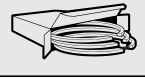


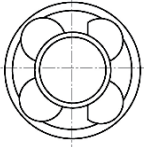



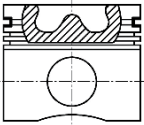
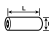


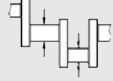
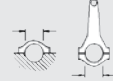









		
ED5810	HR397	NA5223  40.00x52.00x7.00mm, FPM NA5230  78.00x100.00x9.00mm, PTFE



774	 69.60	Diesel							
169 A5.000	4 Cyl.	16.8:1	1248cc	55kW (75)PS	Turbo Intercooled	TD24712	23		
									
BE/PL	4	42.582/42.600	45.734/45.744	20.000	1.552	0.030/0.062	BS	71-4033	71-4033/4 STD .010
MB/HL 1,2,4,5	4	50.982/51.000	54.710/54.722	19.000	1.840	0.026/0.050	AL-LF	02-4034	H1011/5 STD 0.25
MB/HL 3	1	50.982/51.000	54.710/54.722	23.950	1.840	0.026/0.050	AL-LF	02-4035H	
SE/PB	1	23.000	25.747/25.772	25.000			BS-LF	55-4077	55-4077 SEMI
									
							NA5057  27.00x37.00x7.00mm, FPM NA5061  74.00x88.00x8.00mm, FPM		

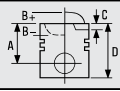
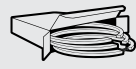
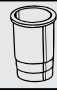

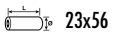
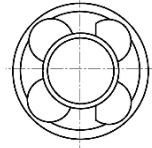
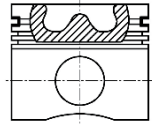



FIAT GROUP

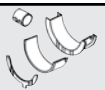

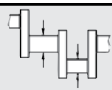
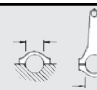




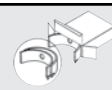
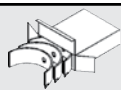
775		 69.60		Diesel						
169 A5.000		4 Cyl.	16.8:1	1248cc	55kW (75)PS		Turbo Intercooled		TD24711	24
										
BE/PL	4	42.582/42.600	45.734/45.744	20.000	1.552	0.030/0.062	BS	71-4033	71-4033/4 STD .010	
MB/HL 1,2,4,5	4	50.982/51.000	54.710/54.722	19.000	1.840	0.026/0.050	AL-LF	02-4034	H1011/5 STD 0.25	
MB/HL 3	1	50.982/51.000	54.710/54.722	23.950	1.840	0.026/0.050	AL-LF	02-4035H		
SE/PB	1	23.000	25.747/25.772	25.000			BS-LF	55-4077	55-4077 SEMI	
			HR397			NA5223  40.00x52.00x7.00mm, FPM NA5230  78.00x100.00x9.00mm, PTFE				



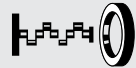


776		 69.60		Diesel						
188 A8.000		4 Cyl.	18:1	1248cc	51kW (70)PS		Turbo Intercooled		TD23866	25
188 A9.000		4 Cyl.	18:1	1248cc	51-55kW (70-75)PS		Turbo Intercooled		TD17456	22
188 A9.000		4 Cyl.	18:1	1248cc	51kW (70)PS				TD18314	22



										
87-137600-00	STD			08-137600-00	STD					
87-137606-00	0.40mm			08-137606-00	0.40mm					
A	40.43			2.00		CK P				
B-	12.40			1.50		P				
BØ	37.00			2.00		P				
C	1.20									
D	63.43									
	23x56									
AK RT TP										
										
BE/PL	4	42.582/42.600	45.734/45.744	20.000	1.552	0.030/0.062	BS	71-4033	71-4033/4 STD .010	
MB/HL 1,2,4,5	4	50.982/51.000	54.710/54.722	19.000	1.840	0.026/0.050	AL-LF	02-4034	H1011/5 STD 0.25	
MB/HL 3	1	50.982/51.000	54.710/54.722	23.950	1.840	0.026/0.050	AL-LF	02-4035H		
SE/PB	1	23.000	25.747/25.772	25.000			BS-LF	55-4077	55-4077 SEMI	
			HR397			NA5223  40.00x52.00x7.00mm, FPM NA5230  78.00x100.00x9.00mm, PTFE				

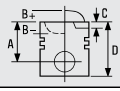
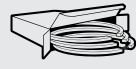
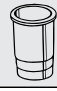
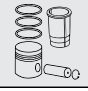
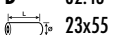
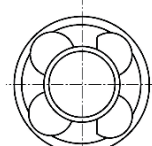
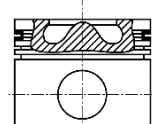



777	 69.60	Diesel					
199 A2.000	4 Cyl.	18:1	1248cc	55-56kW (75-76)PS	Turbo Intercooled	TD20240	22
199 A2.000	4 Cyl.	18:1	1248cc	55kW (75)PS	Turbo Intercooled	TD20272	26



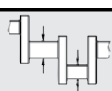






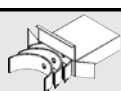
			
87-137600-00 87-137606-00 STD 0.40mm A 40.43 B- 12.40 BØ 37.00 C 1.20 D 63.43  23x56	  08-137600-00 STD 08-137606-00 0.40mm 2.00  CK P 1.50  P 2.00  P		

									
BE/PL	4	42.582/42.600	45.734/45.744	20.000	1.552	0.030/0.062	BS	71-4033	71-4033/4 STD .010
MB/HL 1,2,4,5	4	50.982/51.000	54.710/54.722	19.000	1.840	0.026/0.050	AL-LF	02-4034	H1011/5 STD 0.25
MB/HL 3	1	50.982/51.000	54.710/54.722	23.950	1.840	0.026/0.050	AL-LF	02-4035H	
SE/PB	1	23.000	25.747/25.772	25.000			BS-LF	55-4077	55-4077 SEMI

		
ED5810	HR397	NA5223  40.00x52.00x7.00mm, FPM NA5230  78.00x100.00x9.00mm, PTFE




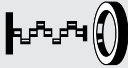

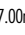

778	 69.60	Diesel					
199 A3.000	4 Cyl.	18:1	1248cc	66-70kW (90-95)PS	Turbo Intercooled	TD20241	28
199 A3.000	4 Cyl.	18:1	1248cc	66-77kW (90-105)PS	Turbo Intercooled	TD20273	29



			
87-425600-00 87-425606-00 STD 0.40mm A 40.43 B- 12.41 BØ 38.00 C 0.91 C 0.91 D 62.43  23x55	  08-425600-00 STD 08-425606-00 0.40mm 08-425608-00 0.60mm 2.00  CK P 1.50  NT 2.00  CR P		

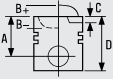


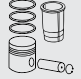




									
BE/PL	4	42.582/42.600	45.734/45.744	20.000	1.552	0.030/0.062	BS	71-4033	71-4033/4 STD .010
MB/HL 1,2,4,5	4	50.982/51.000	54.710/54.722	19.000	1.840	0.026/0.050	AL-LF	02-4034	H1011/5 STD 0.25
MB/HL 3	1	50.982/51.000	54.710/54.722	23.950	1.840	0.026/0.050	AL-LF	02-4035H	
SE/PB	1	23.000	25.747/25.772	25.000			BS-LF	55-4077	55-4077 SEMI



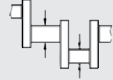
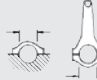






FIAT GROUP



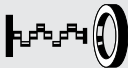


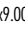
...Continued



778	 69.60	Diesel
		
 ED5820	HR397	NA5223  40.00x52.00x7.00mm, FPM NA5230  78.00x100.00x9.00mm, PTFE

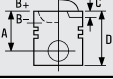

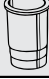
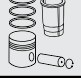




779	 69.60	Diesel					
199 A3.000	4 Cyl.	18:1	1248cc	66kW (90)PS	Turbo Intercooled	TD23450	27

			
	08-435700-00 STD 08-435706-00 0.40mm 1.50  GDC P 1.50  P 2.00  CR P GDC  LKZ-Ring		




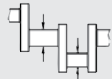
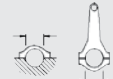





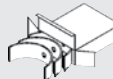





									
BE/PL	4	42.582/42.600	45.734/45.744	20.000	1.552	0.030/0.062	BS	71-4033	71-4033/4 STD .010
MB/HL 1,2,4,5	4	50.982/51.000	54.710/54.722	19.000	1.840	0.026/0.050	AL-LF	02-4034	H1011/5 STD 0.25
MB/HL 3	1	50.982/51.000	54.710/54.722	23.950	1.840	0.026/0.050	AL-LF	02-4035H	
SE/PB	1	23.000	25.747/25.772	25.000			BS-LF	55-4077	55-4077 SEMI


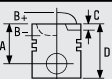


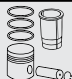







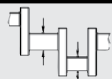











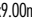
		
 ED5820	HR397	NA5223  40.00x52.00x7.00mm, FPM NA5230  78.00x100.00x9.00mm, PTFE

780	 69.60	Diesel					
199 A9.000 Euro 5	4 Cyl.	17.6:1	1248cc	55kW (75)PS	Turbo Intercooled	TD23573	30
199 B1.000 Euro 5	4 Cyl.	16.8:1	1248cc	70kW (95)PS	Turbo Intercooled	TD23574	30
199 B1.000 Euro 5	4 Cyl.	16.8:1	1248cc	70kW (95)PS	Turbo Intercooled	TD24590	30
199 B2.000 Euro 5	4 Cyl.	17.6:1	1248cc	51kW (69)PS	Turbo Intercooled	TD23578	25



			
	08-435700-00 STD 08-435706-00 0.40mm 1.50  GDC P 1.50  P 2.00  CR P GDC  LKZ-Ring		

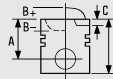


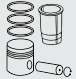





...Continued







780		 69.60		Diesel						
										
BE/PL	4	42.582/42.600	45.734/45.744	20.000	1.552	0.030/0.062	BS	71-4033	71-4033/4 STD .010	
MB/HL 1,2,4,5	4	50.982/51.000	54.710/54.722	19.000	1.840	0.026/0.050	AL-LF	02-4034	H1011/5 STD 0.25	
MB/HL 3	1	50.982/51.000	54.710/54.722	23.950	1.840	0.026/0.050	AL-LF	02-4035H		
SE/PB	1	23.000	25.747/25.772	25.000			BS-LF	55-4077	55-4077 SEMI	
										
ED5810			HR397				NA5223  40.00x52.00x7.00mm, FPM NA5230  78.00x100.00x9.00mm, PTFE			



781		 69.60		Diesel							
199 B1.000 Euro 5		4 Cyl.	16.8:1	1248cc	70kW (95)PS		Turbo Intercooled		TD24672 30		
											
			08-435700-00 STD 08-435706-00 0.40mm 1.50  GDC P 1.50  P 2.00  CR P								
			 								
											
BE/PL	4	42.582/42.600	45.734/45.744	20.000	1.552	0.030/0.062	BS	71-4033	71-4033/4 STD .010		
MB/HL 1,2,4,5	4	50.982/51.000	54.710/54.722	19.000	1.840	0.026/0.050	AL-LF	02-4034	H1011/5 STD 0.25		
MB/HL 3	1	50.982/51.000	54.710/54.722	23.950	1.840	0.026/0.050	AL-LF	02-4035H			
SE/PB	1	23.000	25.747/25.772	25.000			BS-LF	55-4077	55-4077 SEMI		
											
ED5800			HR397				NA5223  40.00x52.00x7.00mm, FPM NA5230  78.00x100.00x9.00mm, PTFE				



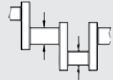
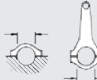






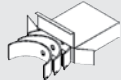
FIAT GROUP







782	 69.60	Diesel					
199 B4.000 Euro 5	4 Cyl.	16.8:1	1248cc	62kW (84)PS	Turbo Intercooled	TD24938	31
199 B4.000 Euro5/Euro6	4 Cyl.	16.8:1	1248cc	62kW (84)PS	Turbo Intercooled	TD24898	32



			
	08-435700-00 STD 08-435706-00 0.40mm 1.50  GDC P 1.50  P 2.00  CR P		
	 		







		
 ED5820	HR397	NA5223  40.00x52.00x7.00mm, FPM NA5230  78.00x100.00x9.00mm, PTFE



783	 69.60	Diesel					
223 A9.000	4 Cyl.	17.6:1	1248cc	62kW (84)PS	Turbo Intercooled	TD20243	33

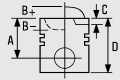
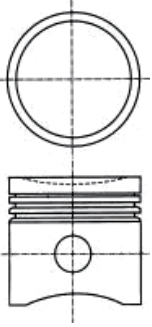
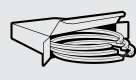
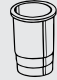

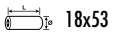



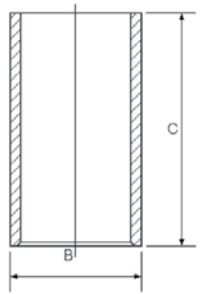
										
BE/PL	4	42.582/42.600	45.734/45.744	20.000	1.552	0.030/0.062	BS	71-4033	71-4033/4 STD .010	
MB/HL 1,2,4,5	4	50.982/51.000	54.710/54.722	19.000	1.840	0.026/0.050	AL-LF	02-4034	H1011/5 STD 0.25	
MB/HL 3	1	50.982/51.000	54.710/54.722	23.950	1.840	0.026/0.050	AL-LF	02-4035H		
SE/PB	1	23.000	25.747/25.772	25.000			BS-LF	55-4077	55-4077 SEMI	

		
 ED5820	HR397	NA5223  40.00x52.00x7.00mm, FPM NA5230  78.00x100.00x9.00mm, PTFE



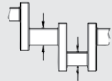
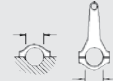





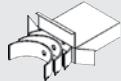
784	 69.60	Diesel					
263 A2.000	4 Cyl.	16.8:1	1248cc	66kW (90)PS	Turbo Intercooled	TD24796	32

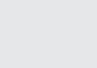




		
 ED5820	HR397	NA5223  40.00x52.00x7.00mm, FPM NA5230  78.00x100.00x9.00mm, PTFE



785	 70.00	Petrol				
156 A2.246	4 Cyl.	9.5:1	999cc	33kW (45)PS	TD5423	35
156 A2.246	4 Cyl.	9.5:1	999cc	33kW (45)PS	TD994	36
156 C.000	4 Cyl.	9:1	1108cc	42kW (57)PS	TD1854	35
156 C.046	4 Cyl.	9.6:1	1108cc	37-43kW (50-58)PS	TD4389	37
156 C.046	4 Cyl.	9:1	1108cc	37-40kW (50-54)PS	TD4597	35

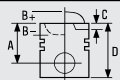
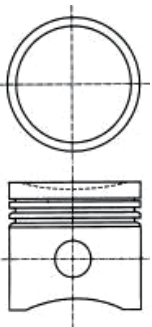
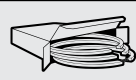
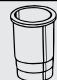

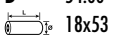



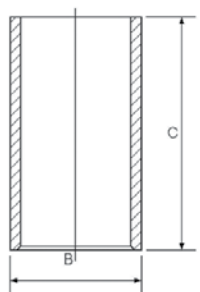
				
87-154200-10 STD 87-154206-10 0.40mm 87-154208-10 0.60mm A 33.90 B- 1.50 D 57.40  18x53		08-154200-00 STD 08-154206-00 0.40mm 08-154208-00 0.60mm 1.50  CR P 1.50  P 3.00  CR [15]	14-010991-00 D B 73.02 C 116.00 	

[15] Steel [15] Acier [15] Acciaio [15] Acero

									
BE/PL 4 37.998/38.008 41.128/41.140 19.000 1.549 0.022/0.069 AL-LF 1015RA 01-4116/4 STD 0.25 0.50	MB/HL 3 2 48.000/48.100 63.800/64.000 2.325 AL-LF 04-4075 H1067/5 STD 0.25 0.50	MB/HL 1-5 5 43.990/44.000 47.705/47.718 19.000 1.841 0.023/0.081 AL-LF 1016RA	MB/HL 1-5 9 43.990/44.000 47.705/47.718 19.000 1.848 0.020/0.057 AL-LF 4271RA H1091/5 STD	MB/HL 3 1 43.990/44.000 47.705/47.718 23.910 1.848 0.020/0.057 AL-LF 4272RAH					

		
EP280	HR397	NB815  23.00x35.00x7.00mm, FPM NB814  70.00x88.00x8.00mm, FPM




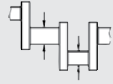
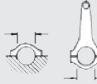





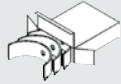





786	 70.00	Petrol				
160 A3.000	4 Cyl.	9.6:1	1108cc	41-42kW (56-57)PS	TD10189	37


				
87-154200-30 STD 87-154206-30 0.40mm 87-154208-30 0.60mm A 30.00 B- 1.80 D 54.00  18x53		08-154200-00 STD 08-154206-00 0.40mm 08-154208-00 0.60mm 1.50  CR P 1.50  P 3.00  CR [15]	14-010991-00 D B 73.02 C 116.00 	

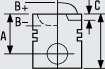
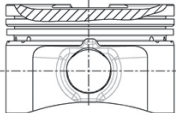
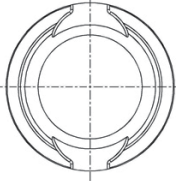
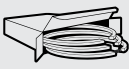
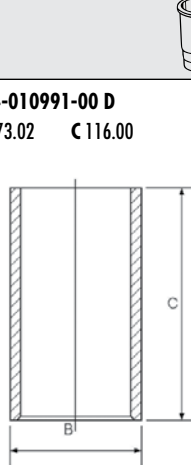
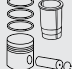
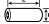
[15] Steel [15] Acier [15] Acciaio [15] Acero




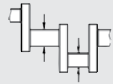
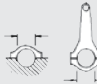





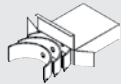


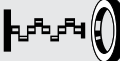



FIAT GROUP







...Continued



786		 70.00	Petrol							
										
BE/PL	4	37.998/38.008	41.128/41.140	19.000	1.549	0.022/0.069	AL-LF	1015RA	01-4116/4 STD 0.25 0.50	
MB/HL 3	2	48.000/48.100	63.800/64.000		2.325		AL-LF	04-4075	H1067/5 STD 0.25 0.50	
MB/HL 1-5	5	43.990/44.000	47.705/47.718	19.000	1.841	0.023/0.081	AL-LF	1016RA		
MB/HL 1-5	9	43.990/44.000	47.705/47.718	19.000	1.848	0.020/0.057	AL-LF	4271RA	H1091/5 STD	
MB/HL 3	1	43.990/44.000	47.705/47.718	23.910	1.848	0.020/0.057	AL-LF	4272RAH		
										
EP280			HR397				NB815  23.00x35.00x7.00mm, FPM NB814  70.00x88.00x8.00mm, FPM			

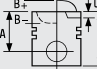
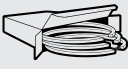
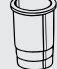

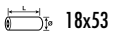
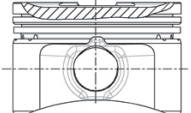
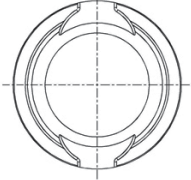



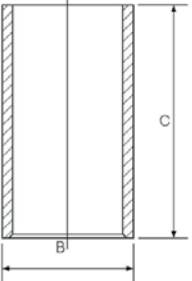
787		 70.00	Petrol						
176 A6.000	4 Cyl.	9.6:1	1108cc	40kW (54)PS				TD1036	36
176 B2.000	4 Cyl.	9.6:1	1108cc	40kW (54)PS				TD11847	39
176 B2.000	4 Cyl.	9.6:1	1108cc	40kW (54)PS				TD4396	38



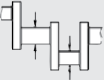
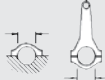





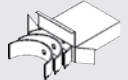
	STD				STD			
87-142300-00	0.40mm	87-142306-00	0.60mm	08-142300-00	0.40mm	14-010991-00 D		
87-142306-00	0.60mm	08-142306-00	0.60mm	08-142306-00	0.40mm	B 73.02 C 116.00		
87-142308-00		08-142308-00		08-142308-00	0.60mm			
A 30.00				1.20				
B- 1.80				1.20	CR P			
BØ 60.00				2.50	P			
D 50.00					P			
 18x53								







787		 70.00	Petrol							
										
BE/PL	4	37.998/38.008	41.128/41.140	19.000	1.549	0.022/0.069	AL-LF	1015RA	01-4116/4 STD 0.25 0.50	
MB/HL 3	2	48.000/48.100	63.800/64.000		2.325		AL-LF	04-4075	H1067/5 STD 0.25 0.50	
MB/HL 1-5	5	43.990/44.000	47.705/47.718	19.000	1.841	0.023/0.081	AL-LF	1016RA		
MB/HL 1-5	9	43.990/44.000	47.705/47.718	19.000	1.848	0.020/0.057	AL-LF	4271RA	H1091/5 STD	
MB/HL 3	1	43.990/44.000	47.705/47.718	23.910	1.848	0.020/0.057	AL-LF	4272RAH		
										
EP280			HR397				NB815  23.00x35.00x7.00mm, FPM NB814  70.00x88.00x8.00mm, FPM →Eng.6315750 NA5061  74.00x88.00x8.00mm, FPM Eng.6315750→			



788	 70.00	Petrol				
178 B9.033	4 Cyl.	9.6:1	1108cc	40kW (54)PS	TD26111	34
			NB815  23.00x35.00x7.00mm, FPM			



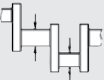
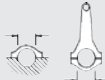





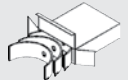
789	 70.00	Petrol				
187 A1.000	4 Cyl.	9.6:1	1108cc	40-42kW (54-57)PS	TD17847	40

			
87-142300-00 STD 87-142306-00 0.40mm 87-142308-00 0.60mm A 30.00 B- 1.80 BØ 60.00 D 50.00  18x53	 	08-142300-00 STD 08-142306-00 0.40mm 08-142308-00 0.60mm 1.20  CR P 1.20  P 2.50  P	14-010991-00 D B 73.02 C 116.00 

									
BE/PL	4	41.988/42.008	45.127/45.140	19.000	1.548	0.023/0.081	AL-LF	4275RA	01-4154/4 STD 0.25 0.50
MB/HL 3	2	52.000/52.200	68.766/69.020		2.325		AL-LF	04-4076	H1092/5 STD 0.25 0.50
MB/HL 1-5	10	47.980/48.000	51.705/51.718	19.000	1.848	0.020/0.067	AL-LF	4276RA	




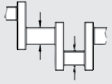
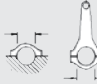





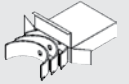






		
EE5242	HR397	NB815  23.00x35.00x7.00mm, FPM →Eng.2888158 NA5061  74.00x88.00x8.00mm, FPM NA5057  27.00x37.00x7.00mm, FPM Eng.2888158→



790	 70.00	Petrol				
141 C2.000	4 Cyl.		999cc	31-33kW (42-45)PS	TD1070	41
156 A2.048	4 Cyl.	9.2:1	999cc	32kW (44)PS	TD1782	44
156 A2.048	4 Cyl.	9.2:1	999cc	32kW (44)PS	TD992	36
156 A2.146	4 Cyl.	9.5:1	999cc	33kW (45)PS	TD4594	44
156 A2.146	4 Cyl.	9.5:1	999cc	33kW (45)PS	TD993	44
156 A3.100	4 Cyl.	9.5:1	999cc	32-33kW (44-45)PS	TD4386	36



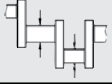
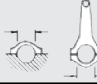






									
BE/PL	4	37.998/38.008	41.128/41.140	19.000	1.549	0.022/0.069	AL-LF	1015RA	01-4116/4 STD 0.25 0.50
MB/HL 3	2	48.000/48.100	63.800/64.000		2.325		AL-LF	04-4075	H1067/5 STD 0.25 0.50
MB/HL 1-5	5	43.990/44.000	47.705/47.718	19.000	1.841	0.023/0.081	AL-LF	1016RA	



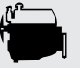




FIAT GROUP



...Continued

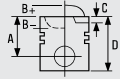
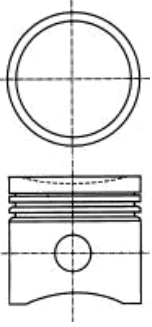

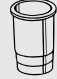

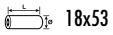



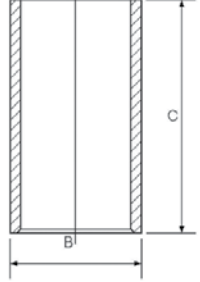
790		 70.00	Petrol						
									
MB/HL 1-5	9	43.990/44.000	47.705/47.718	19.000	1.848	0.020/0.057	AL-LF	4271RA	H1091/5 STD
MB/HL 3	1	43.990/44.000	47.705/47.718	23.910	1.848	0.020/0.057	AL-LF	4272RAH	
									
EP280		HR397		NB815  23.00x35.00x7.00mm, FPM			NB814  70.00x88.00x8.00mm, FPM		

791		 70.00	Petrol							
146 B4.000	4 Cyl.	9.8:1	999cc	31-35kW (42-48)PS				TD18820	42	
156 A2.256	4 Cyl.	9.5:1	999cc	33kW (45)PS				TD4595		



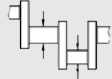
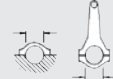






									
BE/PL	4	37.998/38.008	41.128/41.140	19.000	1.549	0.022/0.069	AL-LF	1015RA	01-4116/4 STD 0.25 0.50
MB/HL 3	2	48.000/48.100	63.800/64.000		2.325		AL-LF	04-4075	
MB/HL 1-5	5	43.990/44.000	47.705/47.718	19.000	1.841	0.023/0.081	AL-LF	1016RA	
MB/HL 1-5	9	43.990/44.000	47.705/47.718	19.000	1.848	0.020/0.057	AL-LF	4271RA	H1091/5 STD
MB/HL 3	1	43.990/44.000	47.705/47.718	23.910	1.848	0.020/0.057	AL-LF	4272RAH	






792		 70.00	Petrol							
146 E1.011	4 Cyl.	11.65:1	999cc	47-56kW (64-76)PS				TD25023	34	
										
EP280		HR397		NA5057  27.00x37.00x7.00mm, FPM						



793	 70.00	Petrol				
156 A2.000	4 Cyl.	9.5:1	999cc	31-37kW (42-50)PS	TD16230	43
156 A2.000	4 Cyl.	9.5:1	999cc	33-37kW (45-50)PS	TD4592	35
156 A2.100	4 Cyl.	9:1	999cc	32-33kW (44-45)PS	TD4387	36
156 A3.000	4 Cyl.	9.8:1	999cc	37kW (50)PS	TD16209	37

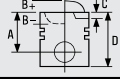



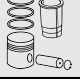



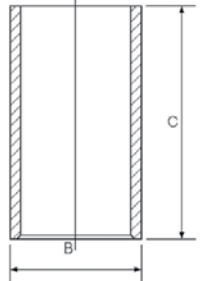
				
87-154200-00 STD 87-154206-00 0.40mm 87-154208-00 0.60mm A 33.90 B- 0.50 D 57.40  18x53	08-154200-00 STD 08-154206-00 0.40mm 08-154208-00 0.60mm 1.50  CR P 1.50  P 3.00  CR [15]	14-010991-00 D B 73.02 C 116.00 		

[15] Steel [15] Acier [15] Acciaio [15] Acero

									
BE/PL	4	37.998/38.008	41.128/41.140	19.000	1.549	0.022/0.069	AL-LF	1015RA	01-4116/4 STD 0.25 0.50
MB/HL 3	2	48.000/48.100	63.800/64.000		2.325		AL-LF	04-4075	H1067/5 STD 0.25 0.50
MB/HL 1-5	5	43.990/44.000	47.705/47.718	19.000	1.841	0.023/0.081	AL-LF	1016RA	
MB/HL 1-5	9	43.990/44.000	47.705/47.718	19.000	1.848	0.020/0.057	AL-LF	4271RA	H1091/5 STD
MB/HL 3	1	43.990/44.000	47.705/47.718	23.910	1.848	0.020/0.057	AL-LF	4272RAH	

		
EP280	HR397	NB815  23.00x35.00x7.00mm, FPM NB814  70.00x88.00x8.00mm, FPM




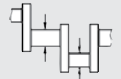
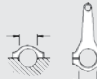






794	 70.00	Petrol				
156 A2.0157	4 Cyl.	9:1	999cc	33kW (45)PS	TD22227	
156 A2.050	4 Cyl.	9:1	999cc	33kW (45)PS	TD22228	


				
	08-154200-00 STD 08-154206-00 0.40mm 08-154208-00 0.60mm 1.50  CR P 1.50  P 3.00  CR [15]	14-010991-00 D B 73.02 C 116.00 		

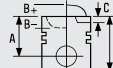
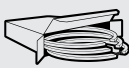

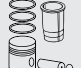



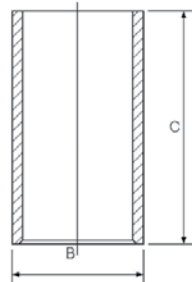
[15] Steel [15] Acier [15] Acciaio [15] Acero



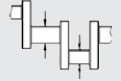
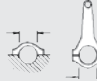






FIAT GROUP






...Continued


794		 70.00	Petrol							
										
BE/PL	4	37.998/38.008	41.128/41.140	19.000	1.549	0.022/0.069	AL-LF	1015RA	01-4116/4 STD 0.25 0.50	
MB/HL 3	2	48.000/48.100	63.800/64.000		2.325		AL-LF	04-4075	H1067/5 STD 0.25 0.50	
MB/HL 1-5	5	43.990/44.000	47.705/47.718	19.000	1.841	0.023/0.081	AL-LF	1016RA		
MB/HL 1-5	9	43.990/44.000	47.705/47.718	19.000	1.848	0.020/0.057	AL-LF	4271RA	H1091/5 STD	
MB/HL 3	1	43.990/44.000	47.705/47.718	23.910	1.848	0.020/0.057	AL-LF	4272RAH		



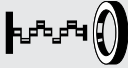
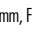

795		 70.00	Petrol								
156 A2.100	4 Cyl.	9:1	999cc	32kW (44)PS						TD4593	35



			
	08-154200-00 STD 08-154206-00 0.40mm 08-154208-00 0.60mm 1.50  CR P 1.50  P 3.00  CR [15]	14-010991-00 D B 73.02 C 116.00 	
[15] Steel	[15] Acier	[15] Acciaio	[15] Acero

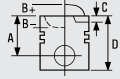
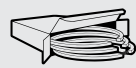
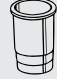




									
BE/PL	4	37.998/38.008	41.128/41.140	19.000	1.549	0.022/0.069	AL-LF	1015RA	01-4116/4 STD 0.25 0.50
MB/HL 3	2	48.000/48.100	63.800/64.000		2.325		AL-LF	04-4075	H1067/5 STD 0.25 0.50
MB/HL 1-5	5	43.990/44.000	47.705/47.718	19.000	1.841	0.023/0.081	AL-LF	1016RA	
MB/HL 1-5	9	43.990/44.000	47.705/47.718	19.000	1.848	0.020/0.057	AL-LF	4271RA	H1091/5 STD
MB/HL 3	1	43.990/44.000	47.705/47.718	23.910	1.848	0.020/0.057	AL-LF	4272RAH	



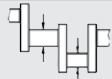
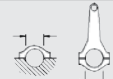






		
EP280	HR397	NB815  23.00x35.00x7.00mm, FPM NB814  70.00x88.00x8.00mm, FPM






796		 70.00	Petrol							
310 A1.011	4 Cyl.	12.15:1	999cc	54-63kW (73-86)PS						TD24640



		
		NA5057  27.00x37.00x7.00mm, FPM NA5061  74.00x88.00x8.00mm, FPM

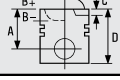
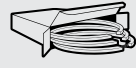

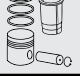
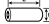
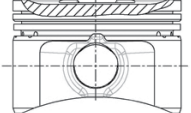
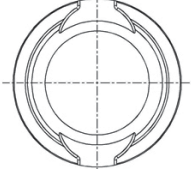



797	 70.80	Petrol				
169 A4.000	4 Cyl.	11.1:1	1242cc	49-51kW (67-69)PS	TD25192	46
169 A4.000	4 Cyl.	11.1:1	1242cc	51kW (69)PS	TD20928	45
199 A4.000 Euro 4 (D4)	4 Cyl.	11:1	1242cc	48-51kW (65-69)PS	TD20242	62



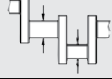
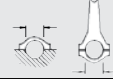






			
	08-138400-00 STD 08-138406-00 0.40mm 08-138408-00 0.60mm 1.19  NT P 1.20  P 2.50  P		






									
BE/PL	4	41.988/42.008	45.127/45.140	19.000	1.548	0.023/0.081	AL-LF	4275RA	01-4154/4 STD 0.25 0.50
MB/HL 3	2	52.000/52.200	68.766/69.020		2.325		AL-LF	04-4076	H1092/5 STD 0.25 0.50
MB/HL 1-5	10	47.980/48.000	51.705/51.718	19.000	1.848	0.020/0.067	AL-LF	4276RA	

		
EE5180	HR397	NA5057  27.00x37.00x7.00mm, FPM NA5061  74.00x88.00x8.00mm, FPM

798	 70.80	Petrol				
176 A7.000	4 Cyl.	9.6:1	1242cc	43-44kW (58-60)PS	TD1037	47
840 A3.000	4 Cyl.	9.8:1	1242cc	44kW (60)PS	TD1839	64

			
87-138400-10 STD 87-138406-10 0.40mm 87-138408-10 0.60mm A 28.00 B- 2.50 D 47.50  18x53	 	08-138400-00 STD 08-138406-00 0.40mm 08-138408-00 0.60mm 1.19  NT P 1.20  P 2.50  P	

									
BE/PL	4	41.988/42.008	45.127/45.140	19.000	1.548	0.023/0.081	AL-LF	4275RA	01-4154/4 STD 0.25 0.50
MB/HL 3	2	52.000/52.200	68.766/69.020		2.325		AL-LF	04-4076	H1092/5 STD 0.25 0.50
MB/HL 1-5	10	47.980/48.000	51.705/51.718	19.000	1.848	0.020/0.067	AL-LF	4276RA	

		
EE5242	HR397	NB815  23.00x35.00x7.00mm, FPM NA5061  74.00x88.00x8.00mm, FPM

FIAT GROUP

799	70.80	Petrol				
176 A8.000	4 Cyl.	9.8:1	1242cc	54kW (73)PS	TD1038	48
176 B4.000	4 Cyl.	9.8:1	1242cc	44kW (60)PS	TD1076	50

87-138400-40 87-138406-40 STD 0.40mm A 28.00 B- 1.80 C 1.10 D 48.00 18x53	08-138400-00 STD 08-138406-00 0.40mm 08-138408-00 0.60mm 1.19 NT P 1.20 P 2.50 P		

BE/PL	4	41.988/42.008	45.127/45.140	19.000	1.548	0.023/0.081	AL-LF	4275RA	01-4154/4 STD 0.25 0.50
MB/HL 3	2	52.000/52.200	68.766/69.020		2.325		AL-LF	04-4076	H1092/5 STD 0.25 0.50
MB/HL 1-5	10	47.980/48.000	51.705/51.718	19.000	1.848	0.020/0.067	AL-LF	4276RA	



EV670	HR397	NB815 23.00x35.00x7.00mm, FPM NA5061 74.00x88.00x8.00mm, FPM

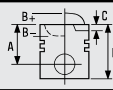
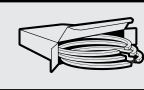
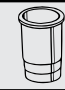

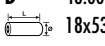
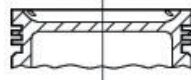
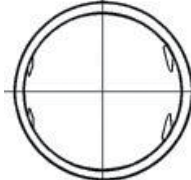



800	70.80	Petrol				
176 B1.000	4 Cyl.	10.2:1	1242cc	44kW (60)PS	TD1032	49



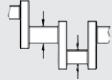
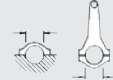






	08-138400-00 STD 08-138406-00 0.40mm 08-138408-00 0.60mm 1.19 NT P 1.20 P 2.50 P		



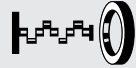


BE/PL	4	41.988/42.008	45.127/45.140	19.000	1.548	0.023/0.081	AL-LF	4275RA	01-4154/4 STD 0.25 0.50
MB/HL 3	2	52.000/52.200	68.766/69.020		2.325		AL-LF	04-4076	H1092/5 STD 0.25 0.50
MB/HL 1-5	10	47.980/48.000	51.705/51.718	19.000	1.848	0.020/0.067	AL-LF	4276RA	



EV670	HR397	NB815 23.00x35.00x7.00mm, FPM NA5061 74.00x88.00x8.00mm, FPM

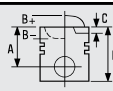
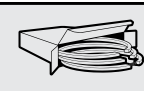

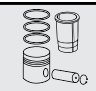
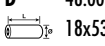
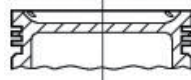
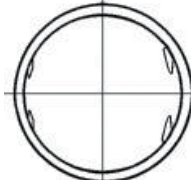



801  **70.80** **Petrol** 
176 B9.000 4 Cyl. 10.2:1 1242cc **63kW (86)PS** **TD9727** **52**



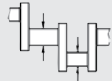
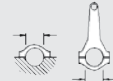





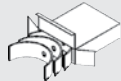
			
87-138400-00 87-138406-00 STD 0.40mm A 28.05 B- 5.70 C 1.50 D 48.00  18x53	 	08-138400-00 STD 08-138406-00 0.40mm 08-138408-00 0.60mm 1.19  NT P 1.20  P 2.50  P	



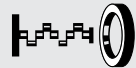


									
BE/PL	4	41.988/42.008	45.127/45.140	19.000	1.548	0.023/0.081	AL-LF	4275RA	01-4154/4 STD 0.25 0.50
MB/HL 3	2	52.000/52.200	68.766/69.020		2.325		AL-LF	04-4076	H1092/5 STD 0.25 0.50
MB/HL 1-5	10	47.980/48.000	51.705/51.718	19.000	1.848	0.020/0.067	AL-LF	4276RA	

		
EE5180 →06/99	HR397	NA5057  27.00x37.00x7.00mm, FPM NA5061  74.00x88.00x8.00mm, FPM

802  **70.80** **Petrol** 
176 B9.000 4 Cyl. 10.2:1 1242cc **63kW (86)PS** **TD11849** **51**

			
87-138400-00 87-138406-00 STD 0.40mm A 28.05 B- 5.70 C 1.50 D 48.00  18x53	 	08-138400-00 STD 08-138406-00 0.40mm 08-138408-00 0.60mm 1.19  NT P 1.20  P 2.50  P	

									
BE/PL	4	41.988/42.008	45.127/45.140	19.000	1.548	0.023/0.081	AL-LF	4275RA	01-4154/4 STD 0.25 0.50
MB/HL 3	2	52.000/52.200	68.766/69.020		2.325		AL-LF	04-4076	H1092/5 STD 0.25 0.50
MB/HL 1-5	10	47.980/48.000	51.705/51.718	19.000	1.848	0.020/0.067	AL-LF	4276RA	

		
EE5242	HR397	NA5057  27.00x37.00x7.00mm, FPM NA5061  74.00x88.00x8.00mm, FPM

FIAT GROUP

803	70.80	Petrol	
178 B5.000	4 Cyl.	9.8:1	1242cc
			50-55kW (68-75)PS
			TD10188 53

87-138400-40 87-138406-40 STD 0.40mm A 28.00 B- 1.80 C 1.10 D 48.00 	08-138400-00 08-138406-00 08-138408-00 STD 0.40mm 0.60mm 1.19 NT P 1.20 P 2.50 P		

BE/PL	4	41.988/42.008	45.127/45.140	19.000	1.548	0.023/0.081	AL-LF	4275RA	01-4154/4 STD 0.25 0.50
MB/HL 3	2	52.000/52.200	68.766/69.020		2.325		AL-LF	04-4076	H1092/5 STD 0.25 0.50
MB/HL 1-5	10	47.980/48.000	51.705/51.718	19.000	1.848	0.020/0.067	AL-LF	4276RA	

EE5242 →Eng.2935743 EE5180 Eng.2935744 →	HR397	NB815 23.00x35.00x7.00mm, FPM →Eng.2935743 NA5061 74.00x88.00x8.00mm, FPM NA5057 27.00x37.00x7.00mm, FPM Eng.2935744 →

804	70.80	Petrol	
178 B7.045	4 Cyl.	1242cc	44-60kW (60-82)PS
			TD18895 54
178 C4.066	4 Cyl.	1242cc	44-46kW (60-63)PS
			TD20237 55

BE/PL	4	41.988/42.008	45.127/45.140	19.000	1.548	0.023/0.081	AL-LF	4275RA	01-4154/4 STD 0.25 0.50
MB/HL 3	2	52.000/52.200	68.766/69.020		2.325		AL-LF	04-4076	H1092/5 STD 0.25 0.50
MB/HL 1-5	10	47.980/48.000	51.705/51.718	19.000	1.848	0.020/0.067	AL-LF	4276RA	

EE5242 →Eng.2935743 EE5180 Eng.2935744 →	HR397	NB815 23.00x35.00x7.00mm, FPM →Eng.2935743 NA5061 74.00x88.00x8.00mm, FPM NA5057 27.00x37.00x7.00mm, FPM Eng.2935744 →

805	70.80	Petrol				
178 E2.000	4 Cyl.	9.8:1	1242cc	50-54kW (68-73)PS	TD16737	56
223 A5.000	4 Cyl.	9.8:1	1242cc	48kW (65)PS	TD15828	63

87-138400-40 87-138406-40 A 28.00 B- 1.80 C 1.10 D 48.00 18x53	STD 0.40mm 	08-138400-00 STD 08-138406-00 0.40mm 08-138408-00 0.60mm 1.19 NT P 1.20 P 2.50 P	

BE/PL	4	41.988/42.008	45.127/45.140	19.000	1.548	0.023/0.081	AL-LF	4275RA	01-4154/4 STD 0.25 0.50
MB/HL 3	2	52.000/52.200	68.766/69.020		2.325		AL-LF	04-4076	H1092/5 STD 0.25 0.50
MB/HL 1-5	10	47.980/48.000	51.705/51.718	19.000	1.848	0.020/0.067	AL-LF	4276RA	

EE5242	HR397	NA815 23.00x35.00x7.00mm, FPM NA5061 74.00x88.00x8.00mm, FPM

806	70.80	Petrol			
178 E8.011	4 Cyl.	9.8:1	1242cc	48-49kW (65-67)PS	TD25005
178 E9.011	4 Cyl.	11:1	1242cc	50-52kW (68-71)PS	TD24630

	08-138400-00 STD 08-138406-00 0.40mm 08-138408-00 0.60mm 1.19 NT P 1.20 P 2.50 P	14-021080-00 D B 73.80 C 128.00 D 75.00 E 5.00 	

		NA5057 27.00x37.00x7.00mm, FPM

807 **70.80 Petrol** **182 B2.000** 4 Cyl. 1242cc **60-64kW (82-87)PS** **TD11807** **57**

87-138400-00 STD 87-138406-00 0.40mm A 28.05 B- 5.70 C 1.50 D 48.00 18x53	08-138400-00 STD 08-138406-00 0.40mm 08-138408-00 0.60mm 1.19 NT P 1.20 P 2.50 P		

BE/PL	4	41.988/42.008	45.127/45.140	19.000	1.548	0.023/0.081	AL-LF	4275RA	01-4154/4 STD 0.25 0.50
MB/HL 3	2	52.000/52.200	68.766/69.020		2.325		AL-LF	04-4076	H1092/5 STD 0.25 0.50
MB/HL 1-5	10	47.980/48.000	51.705/51.718	19.000	1.848	0.020/0.067	AL-LF	4276RA	





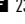


EE5180	HR397	NA5057 27.00x37.00x7.00mm, FPM NA5061 74.00x88.00x8.00mm, FPM



808 **70.80 Petrol** **188 A4.000** 4 Cyl. 10.6:1 1242cc **44kW (60)PS** **TD15501** **59**

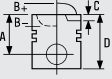
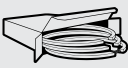
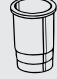

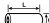



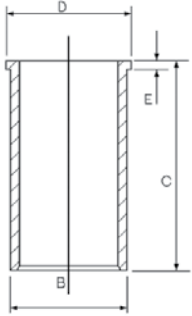
87-138400-40 STD 87-138406-40 0.40mm A 28.00 B- 1.80 C 1.10 D 48.00 18x53	08-138400-00 STD 08-138406-00 0.40mm 08-138408-00 0.60mm 1.19 NT P 1.20 P 2.50 P	14-021080-00 D B 73.80 C 128.00 D 75.00 E 5.00 	



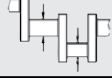





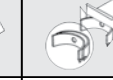

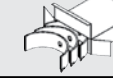
BE/PL	4	41.988/42.008	45.127/45.140	19.000	1.548	0.023/0.081	AL-LF	4275RA	01-4154/4 STD 0.25 0.50
MB/HL 3	2	52.000/52.200	68.766/69.020		2.325		AL-LF	04-4076	H1092/5 STD 0.25 0.50
MB/HL 1-5	10	47.980/48.000	51.705/51.718	19.000	1.848	0.020/0.067	AL-LF	4276RA	





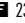

...Continued

808	 70.80	Petrol
		
EE5242	HR397	NB815  23.00x35.00x7.00mm, FPM →Eng.2939661 NA5061  74.00x88.00x8.00mm, FPM NA5057  27.00x37.00x7.00mm, FPM Eng.2939662→

809	 70.80	Petrol				
188 A4.000	4 Cyl.	9.5:1	1242cc	44kW (60)PS	TD12790	58

			
87-138400-40 STD 87-138406-40 0.40mm A 28.00 B- 1.80 C 1.10 D 48.00  18x53	08-138400-00 STD 08-138406-00 0.40mm 08-138408-00 0.60mm 1.19  NT P 1.20  P 2.50  P	14-021080-00 D B 73.80 C 128.00 D 75.00 E 5.00 	

										
BE/PL	4	41.988/42.008	45.127/45.140	19.000	1.548	0.023/0.081	AL-LF	4275RA	01-4154/4 STD 0.25 0.50	H1092/5 STD 0.25 0.50
MB/HL 3	2	52.000/52.200	68.766/69.020	19.000	1.848	0.020/0.067	AL-LF	04-4076	4276RA	
MB/HL 1-5	10	47.980/48.000	51.705/51.718	19.000	1.848	0.020/0.067	AL-LF	4276RA		

		
EE5242 →Eng.2939661 EV670 Eng.2939662→	HR397	NA5057  27.00x37.00x7.00mm, FPM →Eng.2939661 NB815  23.00x35.00x7.00mm, FPM →Eng.2939600 NA5061  74.00x88.00x8.00mm, FPM

810	70.80	Petrol	
188 A5.000	4 Cyl.	1242cc	57-59kW (78-80)PS
			TD12791 60

 87-138400-30 87-138406-30 STD 0.40mm A 28.00 B- 5.10 D 48.00 18x49	 08-138400-00 STD 08-138406-00 0.40mm 08-138408-00 0.60mm 1.19 NT P 1.20 P 2.50 P	 14-021080-00 D B 73.80 C 128.00 D 75.00 E 5.00	
---	---	--	--

BE/PL	4	41.988/42.008	45.127/45.140	19.000	1.548	0.023/0.081	AL-LF	4275RA	01-4154/4 STD 0.25 0.50
MB/HL 3	2	52.000/52.200	68.766/69.020		2.325		AL-LF	04-4076	H1092/5 STD 0.25 0.50
MB/HL 1-5	10	47.980/48.000	51.705/51.718	19.000	1.848	0.020/0.067	AL-LF	4276RA	






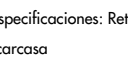
EE5180	HR397	NA5057 27.00x37.00x7.00mm, FPM LK5001 [19] 74.00x187.50x17.000mm, FPM	[19] Especificaciones: Retén de aceite de la carcasa
[19] Specification: Oil Seal in housing	[19] Caractéristiques: Bague d'étanchéité dans son logement	[19] Specifiche: Paraolio in sede	



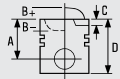
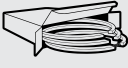








811	70.80	Petrol	
188 A5.000 Euro 3 (D3)	4 Cyl.	10.6:1	59kW (80)PS
			TD15500 61



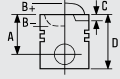

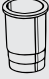




 87-138400-30 87-138406-30 STD 0.40mm A 28.00 B- 5.10 D 48.00 18x49	 08-138400-00 STD 08-138406-00 0.40mm 08-138408-00 0.60mm 1.19 NT P 1.20 P 2.50 P	 14-021080-00 D B 73.80 C 128.00 D 75.00 E 5.00	
---	---	--	--



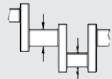
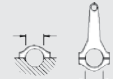





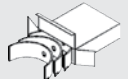
BE/PL	4	41.988/42.008	45.127/45.140	19.000	1.548	0.023/0.081	AL-LF	4275RA	01-4154/4 STD 0.25 0.50
MB/HL 3	2	52.000/52.200	68.766/69.020		2.325		AL-LF	04-4076	H1092/5 STD 0.25 0.50
MB/HL 1-5	10	47.980/48.000	51.705/51.718	19.000	1.848	0.020/0.067	AL-LF	4276RA	




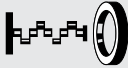

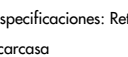
...Continued



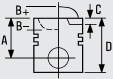
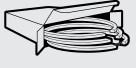
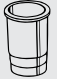
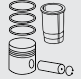




811	 70.80	Petrol
		
EE5242	HR397	NA5057  27.00x37.00x7.00mm, FPM LK5001  [19] 74.00x187.50x17.000mm, FPM
[19] Specification: Oil Seal in housing	[19] Caractéristiques: Bague d'étanchéité dans son logement	[19] Specifiche: Paraolio in sede [19] Especificaciones: Retén de aceite de la carcasa


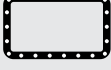
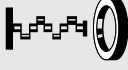

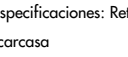
812	 70.80	Petrol			
223 A3.011	4 Cyl.	10.2:1	1242cc	59kW (80)PS	TD24997
					
	08-138400-00 STD 08-138406-00 0.40mm 08-138408-00 0.60mm 1.19  NT P 1.20  P 2.50  P				
					
[19] Specification: Oil Seal in housing	[19] Caractéristiques: Bague d'étanchéité dans son logement	[19] Specifiche: Paraolio in sede	[19] Especificaciones: Retén de aceite de la carcasa		



813	 72.00	Petrol				
169 A3.000	4 Cyl.		1368cc	74kW (100)PS	TD20277	65
192 B2.000	4 Cyl.	11:1	1368cc	66kW (90)PS	TD18571	66
192 B2.000	4 Cyl.	11:1	1368cc	66kW (90)PS	TD20952	67
843 A 1.000	4 Cyl.	10.8:1	1368cc	70kW (95)PS	TD17979	77
955 A1.000	4 Cyl.		1368cc	57-58kW (78-79)PS	TD23448	79
						
	08-433200-00 STD 08-433206-00 0.40mm 1.00  NT [15] 1.20  P 2.00  P					
[15] Steel	[15] Acier	[15] Acciaio	[15] Acero			



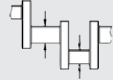

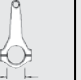






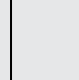

									
BE/PL	4	41.988/42.008	45.127/45.140	19.000	1.548	0.023/0.081	AL-LF	4275RA	01-4154/4 STD 0.25 0.50
MB/HL 3	2	52.000/52.200	68.766/69.020		2.325		AL-LF	04-4076	H1092/5 STD 0.25 0.50
MB/HL 1-5	10	47.980/48.000	51.705/51.718	19.000	1.848	0.020/0.067	AL-LF	4276RA	



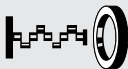

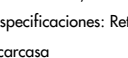
813	 72.00	Petrol
		
EE5242	HR397	NA5057  27.00x37.00x7.00mm, FPM LK5001  [19] 74.00x187.50x17.000mm, FPM
[19] Specification: Oil Seal in housing	[19] Caractéristiques: Bague d'étanchéité dans son logement	[19] Specifiche: Paraolio in sede [19] Especificaciones: Retén de aceite de la carcasa



814	 72.00	Petrol			
178 F3.011	4 Cyl.	10.4:1	1368cc	59-60kW (80-82)PS	TD24633
					
	08-436800-00 STD 08-436806-00 0.40mm				
	1.00  NT [15] 1.20  P 2.00  CR P				
					
[15] Steel	[15] Acier	[15] Acciaio	[15] Acero		


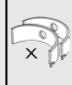
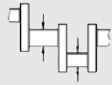
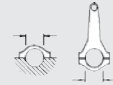





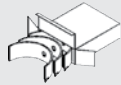
		
NA5057  27.00x37.00x7.00mm, FPM LK5001  [19] 74.00x187.50x17.000mm, FPM		
[19] Specification: Oil Seal in housing	[19] Caractéristiques: Bague d'étanchéité dans son logement	[19] Specifiche: Paraolio in sede [19] Especificaciones: Retén de aceite de la carcasa






815	 72.00	Petrol					
198 A1.000	4 Cyl.	1368cc	110kW (150)PS	Turbocharged	TD23452	68	
198 A1.000	4 Cyl.	9.6:1	1368cc	110-112kW (150-152)PS	Turbocharged	TD21045	69
198 A4.000	4 Cyl.	9.6:1	1368cc	88kW (120)PS	Turbocharged	TD21046	69
198 A4.000	4 Cyl.	9.8:1	1368cc	88kW (120)PS	Turbo Intercooled	TD23921	68
198 A7.000	4 Cyl.	9.8:1	1368cc	103kW (140)PS	Turbocharged	TD24595	68
199 A8.000	4 Cyl.	1368cc		114kW (155)PS	Turbocharged	TD21700	70
199 A8.000	4 Cyl.	9.8:1	1368cc	114-132kW (155-180)PS	Turbocharged	TD24567	68

												
BE/PL	4	41.990/42.008	45.128/45.138	19.000	1.548	0.024/0.068	AL-LF	01-4079	01-4079/4 STD			
MB/HL 3	2	52.000/52.200	68.766/69.020		2.325		AL-LF	04-4076	H1092/5 STD 0.25 0.50			
MB/HL 1-5	10	47.980/48.000	51.705/51.718	19.000	1.848	0.020/0.067	AL-LF	4276RA				
SE/PB	1	17.970/17.974	20.775/20.800	22.000			BS-LF	55-4078	55-4078 SEMI			



		
EE5180	HR397	NA5057  27.00x37.00x7.00mm, FPM LK5001  [19] 74.00x187.50x17.000mm, FPM
[19] Specification: Oil Seal in housing	[19] Caractéristiques: Bague d'étanchéité dans son logement	[19] Specifiche: Paraolio in sede [19] Especificaciones: Retén de aceite de la carcasa

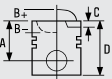

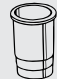





816		 72.00		Petrol					
198 A1.000	4 Cyl.	9.6:1	1368cc	110kW (150)PS	Turbocharged	TD21041	68		
198 A4.000	4 Cyl.	9.6:1	1368cc	88kW (120)PS	Turbocharged	TD21040	70		
198 A7.000	4 Cyl.	9.8:1	1368cc	103kW (140)PS	Turbo Intercooled	TD24646	68		
198 A7.000	4 Cyl.	9.8:1	1368cc	103kW (140)PS	Turbo Intercooled	TD24650	68		

									
BE/PL	4	41.990/42.008	45.128/45.138	19.000	1.548	0.024/0.068	AL-LF	01-4079	01-4079/4 STD
MB/HL 3	2	52.000/52.200	68.766/69.020		2.325		AL-LF	04-4076	H1092/5 STD 0.25 0.50
MB/HL 1-5	10	47.980/48.000	51.705/51.718	19.000	1.848	0.020/0.067	AL-LF	4276RA	
SE/PB	1	17.970/17.974	20.775/20.800	22.000			BS-LF	55-4078	55-4078 SEMI



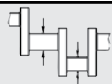
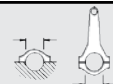




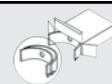
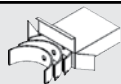
		
EE5242	HR397	NA5057  27.00x37.00x7.00mm, FPM LK5001  [19] 74.00x187.50x17.000mm, FPM






[19] Specification: Oil Seal in housing [19] Caractéristiques: Bague d'étanchéité dans son logement [19] Specifiche: Paraolio in sede [19] Especificaciones: Retén de aceite de la carcasa

817		 72.00		Petrol					
199 A1.000	4 Cyl.		1368cc	57kW (78)PS				TD21699	
199 A1.000	4 Cyl.		1368cc	57kW (78)PS				TD25104	71

			
	08-436800-00 STD 08-436806-00 0.40mm 1.00  NT [15] 1.20  P 2.00  CR P 		

[15] Steel [15] Acier [15] Acciaio [15] Acero

									
BE/PL	4	41.988/42.008	45.127/45.140	19.000	1.548	0.023/0.081	AL-LF	4275RA	01-4154/4 STD 0.25 0.50
MB/HL 3	2	52.000/52.200	68.766/69.020		2.325		AL-LF	04-4076	H1092/5 STD 0.25 0.50
MB/HL 1-5	10	47.980/48.000	51.705/51.718	19.000	1.848	0.020/0.067	AL-LF	4276RA	

		
EE5242	HR397	NA5057  27.00x37.00x7.00mm, FPM LK5001  [19] 74.00x187.50x17.000mm, FPM

[19] Specification: Oil Seal in housing [19] Caractéristiques: Bague d'étanchéité dans son logement [19] Specifiche: Paraolio in sede [19] Especificaciones: Retén de aceite de la carcasa

FIAT GROUP

818	72.00	Petrol				
199 A6.000	4 Cyl.	11:1	1368cc	70-71kW (95-97)PS	TD20929	73
199 A6.000	4 Cyl.	11:1	1368cc	70kW (95)PS	TD23447	72
843 A1.000	4 Cyl.	10.8:1	1368cc	66-70kW (90-95)PS	TD17978	77

	08-433200-00 STD 08-433206-00 0.40mm 1.00 NT [15] 1.20 P 2.00 P		
[15] Steel	[15] Acier	[15] Acciaio	[15] Acero

BE/PL	MB/HL 3	MB/HL 1-5	4	2	10	41.988/42.008	52.000/52.200	47.980/48.000	45.127/45.140	68.766/69.020	51.705/51.718	19.000	1.548	0.023/0.081	AL-LF	4275RA	4276RA	01-4154/4 STD 0.25 0.50 H1092/5 STD 0.25 0.50



EE5180	HR397	NA5057 27.00x37.00x7.00mm, FPM LK5001 [19] 74.00x187.50x17.000mm, FPM
[19] Specification: Oil Seal in housing	[19] Caractéristiques: Bague d'étanchéité dans son logement	[19] Specifiche: Paraolio in sede [19] Especificaciones: Retén de aceite de la carcasa




819	72.00	Petrol				
199 A7.000	4 Cyl.	11:1	1368cc	55kW (75)PS	TD23572	74



	08-436800-00 STD 08-436806-00 0.40mm 1.00 NT [15] 1.20 P 2.00 CR P 		
[15] Steel	[15] Acier	[15] Acciaio	[15] Acero

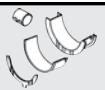


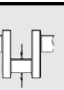







BE/PL	MB/HL 3	MB/HL 1-5	4	2	10	41.988/42.008	52.000/52.200	47.980/48.000	45.127/45.140	68.766/69.020	51.705/51.718	19.000	1.548	0.023/0.081	AL-LF	4275RA	4276RA	01-4154/4 STD 0.25 0.50 H1092/5 STD 0.25 0.50





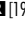
EE5180	HR397	NA5057 27.00x37.00x7.00mm, FPM NA5061 74.00x88.00x8.00mm, FPM



820			Petrol			
310 A2.011	4 Cyl.	10.4:1	1368cc	60-63kW (82-86)PS		TD24631
940 A2.000 Euro 5	4 Cyl.	9.8:1	1368cc	125kW (170)PS	Turbo Intercooled	TD23920 78
955 A7.000	4 Cyl.	9.8:1	1368cc	99kW (135)PS	Turbocharged	TD24940 78
955 A8.000 Euro 5	4 Cyl.	9.8:1	1368cc	120-132kW (163-180)PS	Turbocharged	TD24767 79
955 A8.000 Euro 5	4 Cyl.	9.8:1	1368cc	120kW (163)PS	Turbocharged	TD24589 78






		
[19] Specification: Oil Seal in housing	[19] Caractéristiques: Bague d'étanchéité dans son logement	[19] Specifiche: Paraolio in sede
		[19] Especificaciones: Retén de aceite de la carcasa



821			Petrol			
312 A1.000	4 Cyl.	9.8:1	1368cc	99-140kW (135-190)PS	Turbo Intercooled	TD21036 75
955 A2.000 Euro 5	4 Cyl.	9.8:1	1368cc	99kW (135)PS		TD23576 79
955 A2.000 Euro 5	4 Cyl.	9.8:1	1368cc	99kW (135)PS		TD24588 78
955 A6.000 Euro 5	4 Cyl.	10.8:1	1368cc	77kW (105)PS		TD23577 79
955 A6.000 Euro 5	4 Cyl.	10.8:1	1368cc	77kW (105)PS		TD24587 81

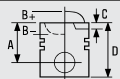
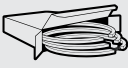


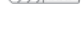
										
BE/PL	4	41.988/42.008	45.127/45.140	19.000	1.548	0.023/0.081	AL-LF	4275RA	01-4154/4 STD 0.25 0.50	
MB/HL 3	2	52.000/52.200	68.766/69.020		2.325		AL-LF	04-4076	H1092/5 STD 0.25 0.50	
MB/HL 1-5	10	47.980/48.000	51.705/51.718	19.000	1.848	0.020/0.067	AL-LF	4276RA		

		
[19] Specification: Oil Seal in housing	[19] Caractéristiques: Bague d'étanchéité dans son logement	[19] Specifiche: Paraolio in sede
	HR397	[19] Especificaciones: Retén de aceite de la carcasa
		NA5057  27.00x37.00x7.00mm, FPM
		LK5001  [19] 74.00x187.50x17.000mm, FPM





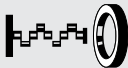


822			Petrol			
312 A3.000	4 Cyl.	9.8:1	1368cc	103-132kW (140-180)PS	Turbo Intercooled	TD24772 68



		
[19] Specification: Oil Seal in housing	[19] Caractéristiques: Bague d'étanchéité dans son logement	[19] Specifiche: Paraolio in sede
	HR397	[19] Especificaciones: Retén de aceite de la carcasa
		NA5057  27.00x37.00x7.00mm, FPM
		LK5001  [19] 74.00x187.50x17.000mm, FPM

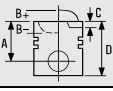
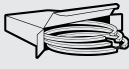
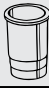

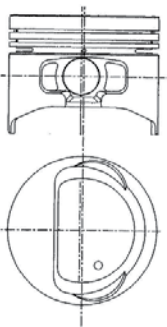
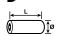



823			Petrol			
323 B6.600	4 Cyl.	10.8:1	1368cc	66-84kW (90-114)PS		TD24955



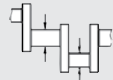
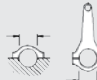






				
	08-433200-00 STD	NT [15]	P	P
	08-433206-00 0.40mm			
	1.00			
	1.20			
	2.00			



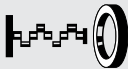


[15] Steel [15] Acier [15] Acciaio [15] Acero



824	 72.00	Petrol			
327 A.011	4 Cyl.	12.35:1	1368cc	62-66kW (85-90)PS	TD24641
					
	HR397	NA5057  27.00x37.00x7.00mm, FPM NA5061  74.00x88.00x8.00mm, FPM			

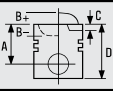
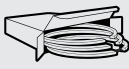

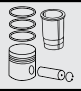



825	 72.00	Petrol			
350 A1.000	4 Cyl.	11:1	1368cc	55-57kW (75-78)PS	TD20274 76
350 A1.000 Euro4/Euro5	4 Cyl.	11.7:1	1368cc	57kW (78)PS	TD26416 74
350 A1.000 Euro4/Euro5	4 Cyl.	11:1	1368cc	51-57kW (69-78)PS	TD20248 76



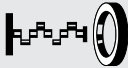
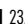

			
87-436800-00 STD 87-436806-00 0.40mm		08-436800-00 STD 08-436806-00 0.40mm	
A 26.00 B- 4.75 C 2.05 D 49.00  18x49		1.00  NT [15] 1.20  P 2.00  CR P LKZ-Ring®	
[15] Steel	[15] Acier	[15] Acciaio	[15] Acero

									
BE/PL	4	41.988/42.008	45.127/45.140	19.000	1.548	0.023/0.081	AL-LF	4275RA	01-4154/4 STD 0.25 0.50
MB/HL 3	2	52.000/52.200	68.766/69.020		2.325		AL-LF	04-4076	H1092/5 STD 0.25 0.50
MB/HL 1-5	10	47.980/48.000	51.705/51.718	19.000	1.848	0.020/0.067	AL-LF	4276RA	

		
EE5242	HR397	NA5057  27.00x37.00x7.00mm, FPM NA5061  74.00x88.00x8.00mm, FPM

826	 72.00	Petrol			
834 A1.000	4 Cyl.	11:1	1368cc	70kW (95)PS	TD23867 71

			
	08-138200-00 STD		
	1.19  NT P 1.20  P 1.50  CR P		



		
		NB815  23.00x35.00x7.00mm, FPM LK5001  [19] 74.00x187.50x17.000mm, FPM

[19] Specification: Oil Seal in housing




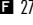
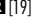
[19] Caractéristiques: Bague d'étanchéité dans son logement

[19] Specifiche: Paraolio in sede



[19] Especificaciones: Retén de aceite de la carcasa

827  **72.00** **Petrol** 



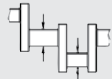






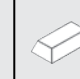


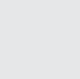
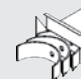
940 A6.000 Euro 5 4 Cyl. 9.8:1 1368cc **85kW (116)PS** **Turbo Intercooled** **TD24794** **79**



		
EE5242		NA5057  27.00x37.00x7.00mm, FPM LK5001  [19] 74.00x187.50x17.000mm, FPM

[19] Specification: Oil Seal in housing [19] Caractéristiques: Bague d'étanchéité dans son logement [19] Specifiche: Paraolio in sede [19] Especificaciones: Retén de aceite de la carcasa

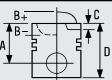
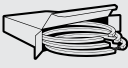
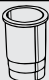




828  **72.00** **Petrol** 

940 B1.000 4 Cyl. 1368cc **77kW (105)PS** **TD26994** **80**



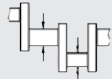
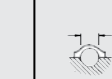





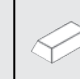


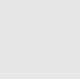
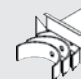
													
BE/PL	4	41.990/42.008	45.128/45.138	19.000	1.548	0.024/0.068	AL-LF	01-4079	01-4079/4 STD				
MB/HL 3	2	52.000/52.200	68.766/69.020		2.325		AL-LF	04-4076	H1092/5 STD 0.25 0.50				
MB/HL 1-5	10	47.980/48.000	51.705/51.718	19.000	1.848	0.020/0.067	AL-LF	4276RA					
SE/PB	1	17.970/17.974	20.775/20.800	22.000			BS-LF	55-4078	55-4078 SEMI				




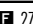

829  **72.00** **Petrol** 

955 A9.000 4 Cyl. 11.1:1 1368cc **51kW (69)PS** **TD26417** **82**

		
	08-436800-00 STD 08-436806-00 0.40mm	
	1.00  NT [15] 1.20  P 2.00  CR P	
		

[15] Steel [15] Acier [15] Acciaio [15] Acero

													
BE/PL	4	41.990/42.008	45.128/45.138	19.000	1.548	0.024/0.068	AL-LF	01-4079	01-4079/4 STD				
MB/HL 3	2	52.000/52.200	68.766/69.020		2.325		AL-LF	04-4076	H1092/5 STD 0.25 0.50				
MB/HL 1-5	10	47.980/48.000	51.705/51.718	19.000	1.848	0.020/0.067	AL-LF	4276RA					

		
		NA5057  27.00x37.00x7.00mm, FPM LK5001  [19] 74.00x187.50x17.000mm, FPM

[19] Specification: Oil Seal in housing [19] Caractéristiques: Bague d'étanchéité dans son logement [19] Specifiche: Paraolio in sede [19] Especificaciones: Retén de aceite de la carcasa

FIAT GROUP

830

73.00

Petrol



124 BL.016

4 Cyl.

8.8:1

1197cc

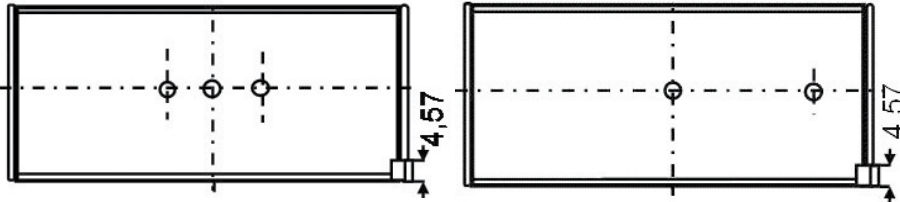
34-44kW (46-60)PS

TD21452

BE/PL	4	45.508/45.528	48.629/48.646	19.200	1.547	0.020/0.069	AL-LF	1645RA	01-4127/4 STD 0.25 0.50
BE/PL	4	45.508/45.528	48.629/48.646	19.200	1.538	0.025/0.087	AL-LF	60985RA	01-4171/4 STD

1645RA

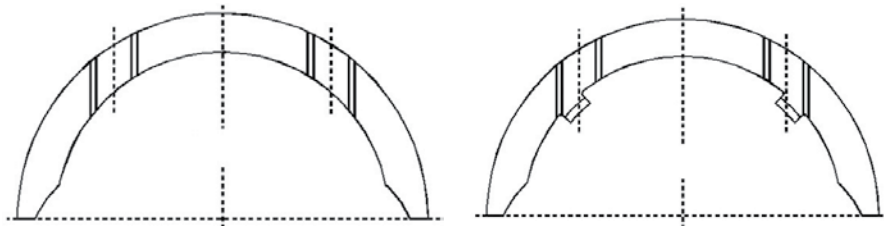
60985RA



MB/HL 1,2,4,5	4	50.785/50.805	54.507/54.520	20.250	1.831	0.040/0.098	AL-LF	60986RA	H1028/5 STD 0.25
MB/HL 3	1	50.785/50.805	54.507/54.520	22.750	1.831	0.040/0.098	AL-LF	60987RA	
TW/A	2	56.610/56.684	69.596/69.850		2.362		AL-LF	60987AF	A197/2 STD .005
TW/A	2	56.610/56.864	69.596/69.850		2.362		AL-LF	60987AFA	A198/2 STD .005

60987AF

60987AFA



SE/PB	1	21.539/21.641	23.939/23.972	25.100			BS	62039Y	55-4288 SEMI
-------	---	---------------	---------------	--------	--	--	----	--------	------------------------

831

73.50

Petrol



126 A.000

2 Cyl.

7.5:1

594cc

17kW (23)PS

TD880

83

<p>87-528400-00 STD</p> <p>87-528406-00 0.40mm</p> <p>87-528408-00 0.60mm</p>	<p>08-528400-00 STD</p> <p>08-528406-00 0.40mm</p> <p>08-528408-00 0.60mm</p>	<p>[10]</p> <p>B 81.50 C 130.40 E 79.90</p>	<p>88-528400-00</p>
<p>A 40.00</p> <p>D 79.50</p> <p> 20x61</p>	<p>1.50</p> <p>2.00</p> <p>3.95</p> <p></p> <p>CR P</p> <p>P</p> <p>P</p>	<p></p>	




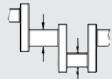
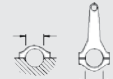












[10] Liner available in Kit Set only


[10] Chemise disponible en kit seulment

[10] Cilindro disponibile solo in kit motore


[10] Camisas disponible en conjuntos solamente.



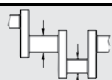
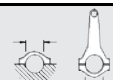






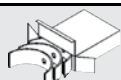




...Continued

831		 73.50	Petrol								
											
BE/PL	2	44.013/44.033	47.130/47.142	19.200	1.543	0.011/0.068	AL-LF	60005RA	01-4112/2 STD 0.25 0.50		
SE/PB	1	19.507/19.609	22.009/22.034	20.830			BS	60009X	55-4210 SEMI		
											
			JH310 				NA5045  53.00x68.00x10.00mm, ACM				
			JH310								

832		 73.50	Petrol							
126 AB.0C.0	2 Cyl.	7.5:1	594cc	17kW (23)PS						TD22224
126 AB.5C.0	2 Cyl.	7.5:1	594cc	13kW (18)PS						TD22225

										
BE/PL	2	44.013/44.033	47.130/47.142	19.200	1.543	0.011/0.068	AL-LF	60005RA	01-4112/2 STD 0.25 0.50	
SE/PB	1	19.507/19.609	22.009/22.034	20.830			BS	60009X	55-4210 SEMI	



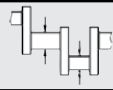
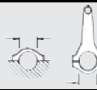




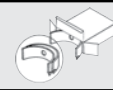
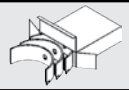
833		 74.00	Petrol							
AR 00500	4 Cyl.	1290cc	37kW (50)PS						TD21701	
AR 00501	4 Cyl.	1290cc	48kW (65)PS						TD21702	
AR 00502	4 Cyl.	1290cc	46-55kW (63-75)PS						TD21704	
AR 00504	4 Cyl.	1290cc	39kW (53)PS						TD21705	
AR 00508	4 Cyl.	9:1	1290cc	59kW (80)PS						TD21709
AR 00510	4 Cyl.	1290cc	66kW (90)PS						TD21711	
AR 00514	4 Cyl.	1290cc	74kW (101)PS						TD21712	

											
BE/PL	4	44.963/44.975	48.658/48.671	23.440	1.829	0.025/0.075	AL-LF	2650RA	01-4307/4 0.25		
MB/HL 1,3,5	3	59.960/59.973	63.657/63.676	25.530	1.837	0.020/0.067	BS	60011CP	H1030/5 STD 0.25 0.50		
MB/HL 2,4	2	59.960/59.973	63.657/63.676	18.360	1.837	0.020/0.067	BS	60012CP			
TW/A	4	65.786/66.040	82.423/82.677		2.362		AL-LF	2777AF	A178/4 STD		
SE/PB	1	21.994/22.000	25.120/25.146	23.720			BS	60014X	55-4280 SEMI		
											
							NA5066  35.00x50.00x10.00mm, ACM				

FIAT GROUP

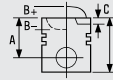
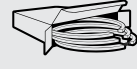


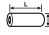

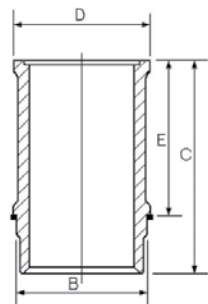
834 74.00 Petrol

AR 00506 4 Cyl. 9:1 1290cc 57kW (78)PS TD26425



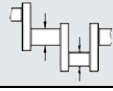
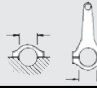




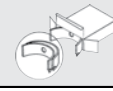
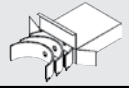
									
BE/PL	4	44.963/44.975	48.658/48.671	23.440	1.829	0.025/0.075	AL-LF	2650RA	01-4307/4 0.25
MB/HL 1,3,5	3	59.960/59.973	63.657/63.676	25.530	1.837	0.020/0.067	BS	60011CP	H1030/5 STD 0.25 0.50
MB/HL 2,4	2	59.960/59.973	63.657/63.676	18.360	1.837	0.020/0.067	BS	60012CP	
TW/A	4	65.786/66.040	82.423/82.677		2.362		AL-LF	2777AF	A178/4 STD
SE/PB	1	21.994/22.000	25.120/25.146	23.720			BS	60014X	55-4280 SEMI


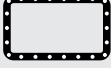


835 74.00 Petrol

AR 00530 4 Cyl. 1290cc 64-65kW (87-89)PS TD23 84

			
87-530400-00 STD A 32.50 B- 13.60 D 79.10  20x64	08-530400-00 STD 1.50 1.75 4.00 	15-632500-00 [9] B 80.50 C 139.00 D 90.00 E 89.20 	89-530400-00 87-530400-00 + 15-632500-00


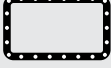


[9] Includes seals [9] Inclut des joints [9] Comprende le guarnizioni [9] Incluye los sellos

									
BE/PL	4	44.963/44.975	48.658/48.671	23.440	1.829	0.025/0.075	AL-LF	2650RA	01-4307/4 0.25
MB/HL 1,3,5	3	59.960/59.973	63.657/63.676	25.530	1.837	0.020/0.067	BS	60011CP	H1030/5 STD 0.25 0.50
MB/HL 2,4	2	59.960/59.973	63.657/63.676	18.360	1.837	0.020/0.067	BS	60012CP	
TW/A	4	65.786/66.040	82.423/82.677		2.362		AL-LF	2777AF	A178/4 STD
SE/PB	1	21.994/22.000	25.120/25.146	23.720			BS	60014X	55-4280 SEMI

		
NA5066  35.00x50.00x10.00mm, ACM		



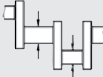
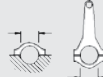





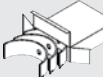
836 74.00 Petrol



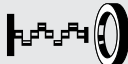


AR 10531 4 Cyl. 1290cc 81kW (110)PS TD21724
AR 10534 4 Cyl. 1290cc 117kW (159)PS TD21725

		
NA5066  35.00x50.00x10.00mm, ACM		

837 75.00 Petrol

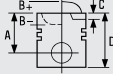
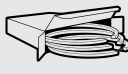






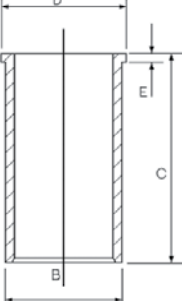
KFT	4 Cyl.	10.2:1	1360cc	54kW (73)PS	TD24950	85
KFV	4 Cyl.	10.5:1	1360cc	54kW (73)PS	TD24771	85



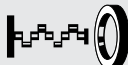


									
BE/PL	4	44.975/44.991	48.655/48.671	19.750	1.820	0.020/0.080	AL-LF	4650RA	01-4163/4 STD 0.25
MB/HL 2-4	3	49.965/49.981	53.655/53.674	17.290	1.832	0.020/0.070	AL-LF	1261RA	H1071/5 STD 0.30 0.50
MB/HL 1,5	2	49.965/49.981	53.655/53.674	17.290	1.832	0.020/0.070	AL-LF	1262RA	
TW/A	2	55.250/55.500	71.450/71.700		2.450		BS	62047BFA	A203/2 STD 0.10

		
		NF870  42.00x66.00x6.00mm, FPM/ACM NF857  85.00x105.00x9.00mm, FPM/ACM

838 75.00 Diesel

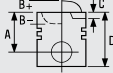
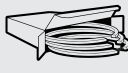


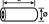
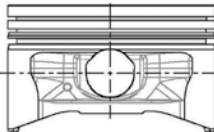



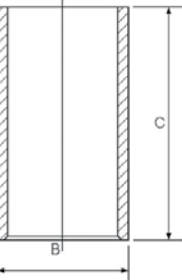
9HU	4 Cyl.	18:1	1560cc	66kW (90)PS	Turbo Intercooled	TD24776	86
-----	--------	------	--------	-------------	-------------------	---------	----


			
	08-424000-00 STD 08-424007-00 0.50mm 08-424008-00 0.60mm 3.00  CK P 1.95  P 2.50  CR P 	14-020900-00 D B 78.00 C 142.00 D 79.50 F 5.00 	



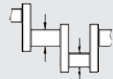
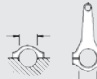





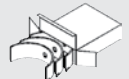
		
 ED5130	HR397	NA5325  85.00x105.00x8.80mm, PTFE




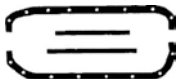

839 76.00 Petrol

127 A.000	4 Cyl.	1049cc	37-41kW (50-56)PS	TD887	88
-----------	--------	--------	-------------------	-------	----

			
87-209800-00 STD 87-209806-00 0.40mm 87-209808-00 0.60mm A 30.75 D 61.25  20x54 	08-209800-00 STD 08-209806-00 0.40mm 08-209808-00 0.60mm 1.75  CR P 2.00  P 3.95  P	14-011001-00 D B 68.04 C 115.00 	

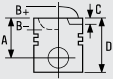


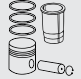



839  **76.00** **Petrol**

									
BE/PL	4	39.985/40.005	43.657/43.670	16.550	1.813	0.026/0.084	AL-LF	3025RA	01-4139/4 STD 0.25 0.50
MB/HL 1,3	2	50.785/50.805	54.507/54.520	20.620	1.837	0.028/0.086	AL-LF	62006RA	H1039/3 STD 0.25 0.50
MB/HL 2	1	50.790/50.810	54.507/54.520	22.780	1.837	0.028/0.086	AL-LF	62007RA	
TW/A	2	54.610/54.864	69.596/69.850		2.362		AL-LF	2897AFF	A182/2 STD



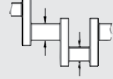
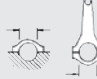





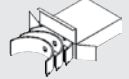
		
	HC027 	NB808  64.00x80.00x8.00mm, FPM
	HC027	



840  **76.00** **Petrol**

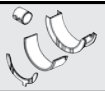

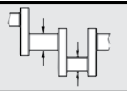
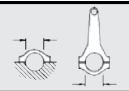




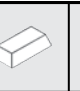

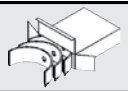
127 A1.000	4 Cyl.	1049cc	51kW (70)PS	TD4345	89
127 A6.000	4 Cyl.	1049cc	44kW (60)PS	TD4347	90

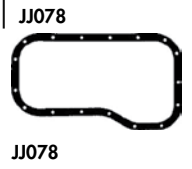
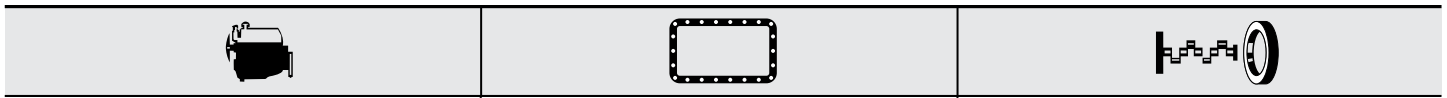
			
	08-269700-00 STD 08-269704-00 0.20mm 08-269706-00 0.40mm 08-269710-00 0.80mm 1.50  CR P 2.00  P 3.95  CR [15]		



[15] Steel [15] Acier [15] Acciaio [15] Acero

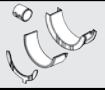

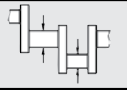
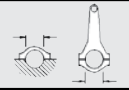






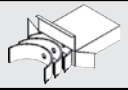
									
BE/PL	4	43.988/44.008	47.130/47.142	18.500	1.546	0.030/0.087	AL-LF	68090RA	01-4207/4 STD 0.25 0.50
MB/HL 1,2,4,5	4	48.189/48.209	51.921/51.934	17.650	1.841	0.030/0.088	AL-LF	68091RA	H1069/5 STD 0.25 0.50
MB/HL 3	1	48.189/48.209	51.921/51.934	25.250	1.841	0.030/0.088	AL-LF	68092RA	
TW/A	2	54.224/54.478	66.996/67.520		2.362		AL-LF	68092AF	A221/2 STD
SE/PB	1	21.539/21.641	23.939/23.972	25.100			BS	62039Y	55-4288 SEMI



841	 76.00	Petrol					
146 A 5.046	4 Cyl.	9:1	1297cc	53kW (72)PS	TD4591	93	
156 A1.000	4 Cyl.	7:1	1049cc	62kW (84)PS	Turbo Intercooled	TD1783	91

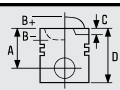
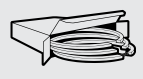

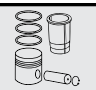



										
BE/PL	4	43.988/44.008	47.130/47.142	18.500	1.546	0.030/0.087	AL-LF	68090RA	01-4207/4 STD 0.25 0.50	
MB/HL 1,2,4,5	4	48.189/48.209	51.921/51.934	17.650	1.841	0.030/0.088	AL-LF	68091RA	H1069/5 STD 0.25 0.50	
MB/HL 3	1	48.189/48.209	51.921/51.934	25.250	1.841	0.030/0.088	AL-LF	68092RA		
TW/A	2	54.224/54.478	66.996/67.520		2.362		AL-LF	68092AF	A221/2 STD	
SE/PB	1	21.539/21.641	23.939/23.972	25.100			BS	62039Y	55-4288 SEMI	



842	 76.00	Petrol				
131 A.000	4 Cyl.	8:1	1297cc	48kW (65)PS	TD26093	

										
BE/PL	4	48.224/48.244	51.330/51.346	19.500	1.540	0.020/0.067	AL-LF	66315RA	01-4176/4 STD 0.25 0.50	
MB/HL 1,2,4,5	4	52.985/53.005	56.717/56.730	20.750	1.841	0.030/0.088	AL-LF	66316RA	H1043/5 STD 0.25 0.50 0.75	
MB/HL 3	1	52.985/53.005	56.717/56.730	24.250	1.841	0.030/0.088	AL-LF	66317RA		
TW/A	2	59.000/59.250	73.600/73.850		2.362		BS	62037AF	A201/2 STD .005	
SE/PB	1	21.539/21.641	23.939/23.972	25.100			BS	62039Y	55-4288 SEMI	




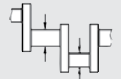
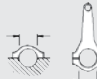






843	 76.00	Petrol				
131 A6.000	4 Cyl.		1297cc	40kW (54)PS	TD897	92
131 B.000	4 Cyl.	8.9:1	1297cc	57-60kW (78-82)PS	TD899	



			
	08-269700-00 STD 08-269704-00 0.20mm 08-269706-00 0.40mm 08-269710-00 0.80mm 1.50  CR P 2.00  P 3.95  CR [15]		

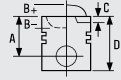
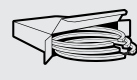





[15] Steel [15] Acier [15] Acciaio [15] Acero



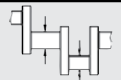
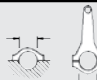






FIAT GROUP





...Continued



843		 76.00	Petrol						
									
BE/PL	4	48.224/48.244	51.330/51.346	19.500	1.540	0.020/0.067	AL-LF	66315RA	01-4176/4 STD 0.25 0.50
MB/HL 1,2,4,5	4	52.985/53.005	56.717/56.730	20.750	1.841	0.030/0.088	AL-LF	66316RA	H1043/5 STD 0.25 0.50 0.75
MB/HL 3	1	52.985/53.005	56.717/56.730	24.250	1.841	0.030/0.088	AL-LF	66317RA	
TW/A	2	59.000/59.250	73.600/73.850		2.362		BS	62037AF	A201/2 STD .005
SE/PB	1	21.539/21.641	23.939/23.972	25.100			BS	62039Y	55-4288 SEMI

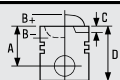
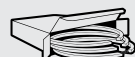

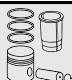



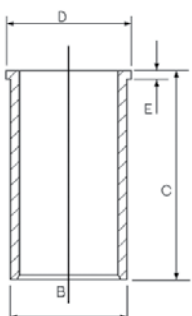
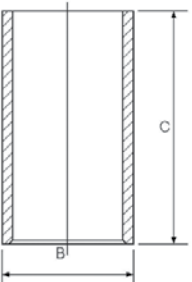
844		 76.00	Petrol							
127 A3.000		4 Cyl.	130lcc	55kW (75)PS			TD4415		100	



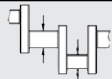
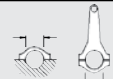





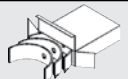
			
	08-269700-00 STD 08-269704-00 0.20mm 08-269706-00 0.40mm 08-269710-00 0.80mm 1.50  CR P 2.00  P 3.95  CR [15]		
[15] Steel	[15] Acier	[15] Acciaio	[15] Acero






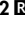
									
BE/PL	4	43.988/44.008	47.130/47.142	18.500	1.546	0.030/0.087	AL-LF	68090RA	01-4207/4 STD 0.25 0.50
MB/HL 1,2,4,5	4	48.189/48.209	51.921/51.934	17.650	1.841	0.030/0.088	AL-LF	68091RA	H1069/5 STD 0.25 0.50
MB/HL 3	1	48.189/48.209	51.921/51.934	25.250	1.841	0.030/0.088	AL-LF	68092RA	
TW/A	2	54.224/54.478	66.996/67.520		2.362		AL-LF	68092AF	A221/2 STD
SE/PB	1	21.539/21.641	23.939/23.972	25.100			BS	62039Y	55-4288 SEMI

		
	JJ078  JJ078	

845	 76.00	Diesel	
146 B1.000	4 Cyl.	1301cc	33kW (45)PS
156 A5.000	4 Cyl.	20:1	27kW (37)PS
			TD948 94
			TD999 96

			
	<p>08-215200-10 STD 08-215206-10 0.40mm 08-215208-10 0.60mm 08-215211-10 1.00mm</p> <p>2.50  CR P 2.00  P 3.00  CR P</p>	<p>14-021260-00 D B 80.00 C 133.50 D 81.00 E 5.00</p> 	
		<p>14-012470-00 D B 79.00 C 139.00</p> 	

									
BE/PL	4	43.988/44.008	47.130/47.142	18.500	1.546	0.030/0.087	AL-LF	68090RA	01-4207/4 STD 0.25 0.50
MB/HL 1,2,4,5	4	48.189/48.209	51.921/51.934	17.650	1.841	0.030/0.088	AL-LF	68091RA	H1069/5 STD 0.25 0.50
MB/HL 3	1	48.189/48.209	51.921/51.934	25.250	1.841	0.030/0.088	AL-LF	68092RA	
TW/A	2	54.224/54.478	66.996/67.520		2.362		AL-LF	68092AF	A221/2 STD

		
	<p>JJ078</p>  <p>JJ078</p>	<p>NA5051  40.00x56.00x7.00mm, FPM NA5052  70.00x85.00x8.00mm, FPM</p>

846

 76.00

Diesel



127 A5.000

4 Cyl.

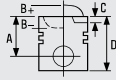
20:1

1302cc

33kW (45)PS

TD4346

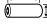
95



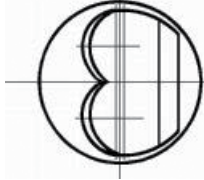
87-215200-00
87-215208-00

STD
0.60mm



A 46.95
B+ 4.90
D 83.85
 22x64

RT

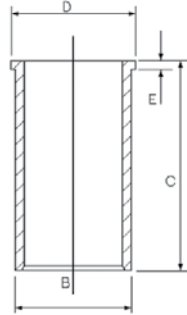


08-215200-10 STD
08-215206-10 0.40mm
08-215208-10 0.60mm
08-215211-10 1.00mm

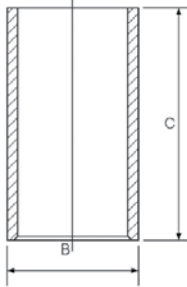
2.50  CR P
2.00  P
3.00  CR P



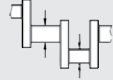
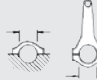





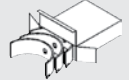


14-021260-00 D
B 80.00 C 133.50 D 81.00 E 5.00



14-012470-00 D
B 79.00 C 139.00



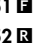

									
BE/PL	4	43.988/44.008	47.130/47.142	18.500	1.546	0.030/0.087	AL-LF	68090RA	01-4207/4 STD 0.25 0.50
MB/HL 1,2,4,5	4	48.189/48.209	51.921/51.934	17.650	1.841	0.030/0.088	AL-LF	68091RA	H1069/5 STD 0.25 0.50
MB/HL 3	1	48.189/48.209	51.921/51.934	25.250	1.841	0.030/0.088	AL-LF	68092RA	
TW/A	2	54.224/54.478	66.996/67.520		2.362		AL-LF	68092AF	A221/2 STD




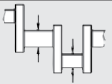
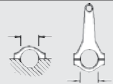





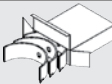







JJ440






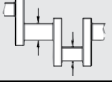
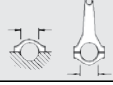





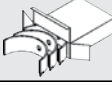
JJ440


NA5051  40.00x56.00x7.00mm, FPM
NA5052  70.00x85.00x8.00mm, FPM



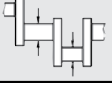
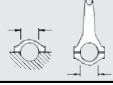





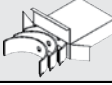
847		 76.00		Petrol					
146 A2.166		4 Cyl.		994cc		35kW (48)PS		TD19059 97	
									
BE/PL	4	43.988/44.008	47.130/47.142	18.500	1.546	0.030/0.087	AL-LF	68090RA	01-4207/4 STD 0.25 0.50
MB/HL 1,2,4,5	4	48.189/48.209	51.921/51.934	17.650	1.841	0.030/0.088	AL-LF	68091RA	H1069/5 STD 0.25 0.50
MB/HL 3	1	48.189/48.209	51.921/51.934	25.250	1.841	0.030/0.088	AL-LF	68092RA	
TW/A	2	54.224/54.478	66.996/67.520		2.362		AL-LF	68092AF	A221/2 STD
SE/PB	1	21.539/21.641	23.939/23.972	25.100			BS	62039Y	55-4288 SEMI


		
		NB815  23.00x35.00x7.00mm, FPM NB814  70.00x88.00x8.00mm, FPM

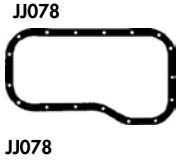
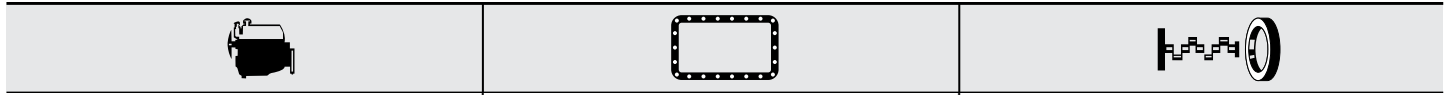
848		 76.10		Petrol					
156 A.000		4 Cyl.		9.5:1 1049cc		40-41kW (54-56)PS		TD21222 99	
156 A.000		4 Cyl.		9.5:1 1049cc		40-41kW (54-56)PS		TD4411 98	

									
BE/PL	4	43.988/44.008	47.130/47.142	18.500	1.546	0.030/0.087	AL-LF	68090RA	01-4207/4 STD 0.25 0.50
MB/HL 1,2,4,5	4	48.189/48.209	51.921/51.934	17.650	1.841	0.030/0.088	AL-LF	68091RA	H1069/5 STD 0.25 0.50
MB/HL 3	1	48.189/48.209	51.921/51.934	25.250	1.841	0.030/0.088	AL-LF	68092RA	
TW/A	2	54.224/54.478	66.996/67.520		2.362		AL-LF	68092AF	A221/2 STD
SE/PB	1	21.539/21.641	23.939/23.972	25.100			BS	62039Y	55-4288 SEMI

849		 76.10		Petrol					
156 B.000		4 Cyl.		9.5:1 1301cc		53-56kW (72-76)PS		TD1853 101	

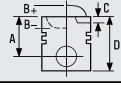
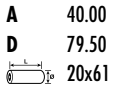

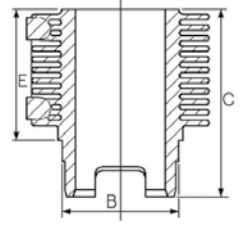
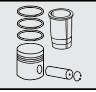
									
BE/PL	4	43.988/44.008	47.130/47.142	18.500	1.546	0.030/0.087	AL-LF	68090RA	01-4207/4 STD 0.25 0.50
MB/HL 1,2,4,5	4	48.189/48.209	51.921/51.934	17.650	1.841	0.030/0.088	AL-LF	68091RA	H1069/5 STD 0.25 0.50
MB/HL 3	1	48.189/48.209	51.921/51.934	25.250	1.841	0.030/0.088	AL-LF	68092RA	
TW/A	2	54.224/54.478	66.996/67.520		2.362		AL-LF	68092AF	A221/2 STD
SE/PB	1	21.539/21.641	23.939/23.972	25.100			BS	62039Y	55-4288 SEMI

849  **76.10** **Petrol**



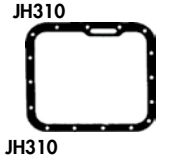
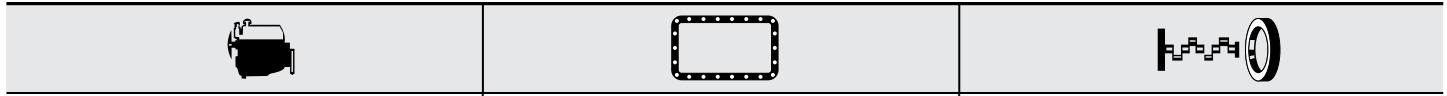
850  **77.00** **Petrol**


126 A1.000	2 Cyl.	652cc	17kW (23)PS	TD4343	102
126 A1.048	2 Cyl.	7.5:1	17-20kW (23-27)PS	TD881	102



				
<p>87-785500-00 STD 87-785506-00 0.40mm 87-785508-00 0.60mm</p>	<p>08-785500-00 STD 08-785506-00 0.40mm 08-785507-00 0.50mm 08-785508-00 0.60mm</p>	<p>[10] B 83.00 C 130.40 E 79.90</p>	<p>88-785500-00</p>	<p>CR P P CR [15]</p>

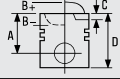
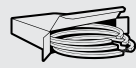
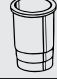




[10] Liner available in Kit Set only [10] Chemise disponible en kit seulement [10] Cilindro disponibile solo in kit motore [10] Camisas disponible en conjuntos solamente.
 [15] Steel [15] Acier [15] Acciaio [15] Acero

BE/PL	2	44.013/44.033	47.130/47.142	19.200	1.543	0.011/0.068	AL-LF	60005RA	01-4112/2
SE/PB	1	19.507/19.609	22.009/22.034	20.830			BS	60009X	55-4210 SEMI



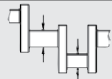
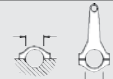





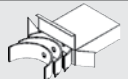








NA5045  53.00x68.00x10.00mm, ACM



851	 77.00	Petrol							
141 A.000	2 Cyl.	8:1	652cc	22kW (30)PS			TD9385	103	



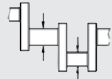
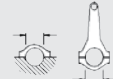





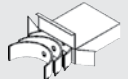
			
	08-785500-00 STD 08-785506-00 0.40mm 08-785507-00 0.50mm 08-785508-00 0.60mm 1.50  CR P 2.00  P 3.95  CR [15]		

[15] Steel [15] Acier [15] Acciaio [15] Acero

									
BE/PL	2	44.013/44.033	47.130/47.142	19.200	1.543	0.011/0.068	AL-LF	60005RA	01-4112/2 STD 0.25 0.50
SE/PB	1	19.507/19.609	22.009/22.034	20.830			BS	60009X	55-4210 SEMI

		
	JH310	NA5049  64.00x80.00x8.00mm, ACM NB728  53.00x68.00x10.00mm, ACM
		
	JH310	

852	 78.00	Petrol							
131 C.000	4 Cyl.		1367cc	51kW (70)PS			TD902	104	
131 C1.000	4 Cyl.		1367cc	51-55kW (69-75)PS			TD903	105	
828 D3.000	4 Cyl.		1367cc	62kW (84)PS			TD1798		

									
BE/PL	4	48.224/48.244	51.330/51.346	19.500	1.540	0.020/0.067	AL-LF	66315RA	01-4176/4 STD 0.25 0.50
MB/HL 1,2,4,5	4	52.985/53.005	56.717/56.730	20.750	1.841	0.030/0.088	AL-LF	66316RA	H1043/5 STD 0.25 0.50 0.75
MB/HL 3	1	52.985/53.005	56.717/56.730	24.250	1.841	0.030/0.088	AL-LF	66317RA	
TW/A	2	59.000/59.250	73.600/73.850		2.362		BS	62037AF	A201/2 STD .005
SE/PB	1	21.539/21.641	23.939/23.972	25.100			BS	62039Y	55-4288 SEMI

FIAT GROUP

853	78.00	Diesel	
146 B.000	4 Cyl.	20:1	1367cc
			52kW (71)PS
			Turbo Intercooled
			TD947 106
146 B3.000	4 Cyl.	20:1	1367cc
			52kW (70)PS
			Turbo Intercooled
			TD950 106

	08-783200-00 STD 2.50 MOL P 2.00 P 3.00 CR P	14-021421-00 D B 81.06 C 130.00 D 83.50 E 4.50 	

BE/PL	4	48.227/48.240	51.330/51.348	19.500	1.530	0.030/0.086	BS	1170CP	71-4121/4 STD 0.25
MB/HL 1,2,4,5	4	52.990/53.010	56.717/56.735	20.750	1.843	0.020/0.080	BS	4128CP	H1084/5 STD 0.25 0.50
MB/HL 3	1	52.990/53.010	56.717/56.735	24.250	1.843	0.020/0.080	BS	4129CP	
TW/A	2	59.000/59.250	73.600/73.850		2.362		BS	62037AF	A201/2 STD .005




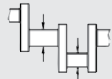
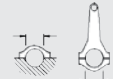




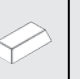


	JJ298 (Cork) JJ398 JJ298 JJ398	NB742 30.00x43.00x8.00mm, ACM NA5050 70.00x90.00x10.00mm, ACM






854	78.00	Petrol	
AR 06100	4 Cyl.	1567cc	81kW (110)PS
			TD47 107


87-527200-00 STD A 33.70 B- 15.80 D 82.50 22x68	08-527200-00 STD 1.50 CR P 1.75 P 4.00 P	[10] B 84.00 C 150.00 D 94.00 E 95.50 	89-527200-00



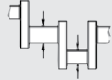
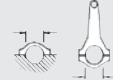







[10] Liner available in Kit Set only [10] Chemise disponible en kit seulement [10] Cilindro disponibile solo in kit motore [10] Camisas disponible en conjuntos solamente.

...Continued

854		 78.00	Petrol							
										
BE/PL	4	49.988/49.998	53.695/53.708	23.440	1.838	0.021/0.069	BS	60010CP	71-4168/4 STD 0.25 0.50	
MB/HL 1,3,5	3	59.960/59.973	63.657/63.676	25.530	1.837	0.020/0.067	BS	60011CP	H1030/5 STD 0.25 0.50	
MB/HL 2,4	2	59.960/59.973	63.657/63.676	18.360	1.837	0.020/0.067	BS	60012CP		
TW/A	4	65.786/66.040	82.423/82.677		2.362		AL-LF	2777AF	A178/4 STD	
SE/PB	1	21.994/22.000	25.120/25.146	23.720			BS	60014X	55-4280 SEMI	

		
	JJ452 (MVQ)	NA5066  35.00x50.00x10.00mm, ACM
		
	JJ452	

855		 78.00	Petrol							
AR 00112	4 Cyl.	9:1	1570cc	67-68kW (91-92)PS				TD26422		
AR 00121	4 Cyl.	9:1	1570cc	82-83kW (112-113)PS				TD26423		
AR 00516	4 Cyl.	9:1	1570cc	82kW (112)PS				TD26424		
AR 11650	4 Cyl.	9:1	1570cc	80kW (109)PS				TD23341		

										
BE/PL	4	49.988/49.998	53.695/53.708	23.440	1.838	0.021/0.069	BS	60010CP	71-4168/4 STD 0.25 0.50	
MB/HL 1,3,5	3	59.960/59.973	63.657/63.676	25.530	1.837	0.020/0.067	BS	60011CP	H1030/5 STD 0.25 0.50	
MB/HL 2,4	2	59.960/59.973	63.657/63.676	18.360	1.837	0.020/0.067	BS	60012CP		
TW/A	4	65.786/66.040	82.423/82.677		2.362		AL-LF	2777AF	A178/4 STD	
SE/PB	1	21.994/22.000	25.120/25.146	23.720			BS	60014X	55-4280 SEMI	

FIAT GROUP

856	78.00	Petrol			
AR 00526	4 Cyl.	9:1	1570cc 71-81kW (97-110)PS	TD22	108
AR 00536	4 Cyl.		80kW (109)PS	TD24	109
AR 01600	4 Cyl.		79-80kW (108-109)PS	TD32	110

87-527200-00 STD A 33.70 B- 15.80 D 82.50 22x68	08-527200-00 STD 1.50 CR P 1.75 P 4.00 P	[10] B 84.00 C 150.00 D 94.00 E 95.50 	89-527200-00

[10] Liner available in Kit Set only [10] Chemise disponible en kit seulement [10] Cilindro disponibile solo in kit motore [10] Camisas disponible en conjuntos solamente.



BE/PL	4	49.988/49.998	53.695/53.708	23.440	1.838	0.021/0.069	BS	60010CP	71-4168/4 STD 0.25 0.50
MB/HL 1,3,5	3	59.960/59.973	63.657/63.676	25.530	1.837	0.020/0.067	BS	60011CP	H1030/5 STD 0.25 0.50
MB/HL 2,4	2	59.960/59.973	63.657/63.676	18.360	1.837	0.020/0.067	BS	60012CP	
TW/A	4	65.786/66.040	82.423/82.677		2.362		AL-LF	2777AF	A178/4 STD
SE/PB	1	21.994/22.000	25.120/25.146	23.720			BS	60014X	55-4280 SEMI



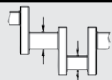






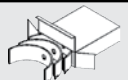
							NA5066	35.00x50.00x10.00mm, ACM		



857	78.00	Petrol		
AR 00526 S	4 Cyl.	9:1	1570cc 75-76kW (102-103)PS	TD5344

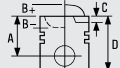
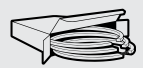

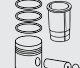
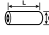



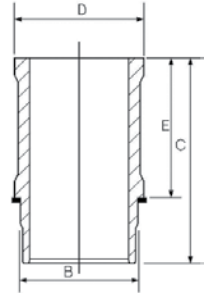
BE/PL	4	49.988/49.998	53.695/53.708	23.440	1.838	0.021/0.069	BS	60010CP	71-4168/4 STD 0.25 0.50
MB/HL 1,3,5	3	59.960/59.973	63.657/63.676	25.530	1.837	0.020/0.067	BS	60011CP	H1030/5 STD 0.25 0.50
MB/HL 2,4	2	59.960/59.973	63.657/63.676	18.360	1.837	0.020/0.067	BS	60012CP	
TW/A	4	65.786/66.040	82.423/82.677		2.362		AL-LF	2777AF	A178/4 STD
SE/PB	1	21.994/22.000	25.120/25.146	23.720			BS	60014X	55-4280 SEMI

							NA5066	35.00x50.00x10.00mm, ACM		



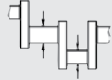
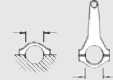


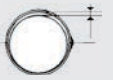


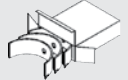
858  **78.00** **Petrol** 
M16A Euro4/Euro5 4 Cyl. 10.5:1 1586cc **78-88kW (106-120)PS** **TD20932** **111**

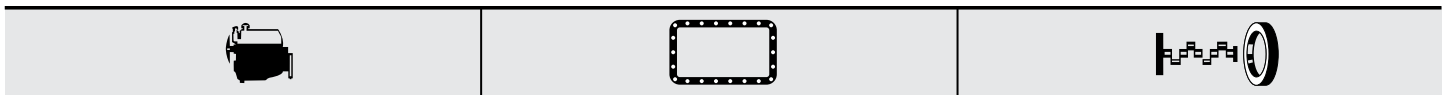
									
BE/PL	8	41.980	45.020	18.000	1.490		AL-LF	64-665-1	01-4947/4 STD
MB/HL 1-5	5	51.980	56.020	18.000	2.000		AL-LF	63-665-1	H1331/5 STD
MB/HL 1-5	5	51.980	56.020	18.000	2.000		AL-LF	63-665-2	
TW/A	2	59.000	75.000		2.520		AL-LF	65-664-1	A316/2 STD

859  **78.10** **Petrol** 
AR 61101 4 Cyl. 1567cc **76-81kW (103-110)PS** **TD102** **112**

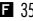
			
87-527300-00 STD A 33.70 B- 16.70 D 82.90  22x68	08-527300-00 STD 1.50  CR P 1.75  P 3.50  P	15-632100-00 WH [9] B 84.00 C 150.00 D 94.00 E 95.50 	89-527300-00 87-527300-00 + 15-632100-00

[9] Includes seals [9] Inclut des joints [9] Comprende le guarnizioni [9] Incluye los sellos

									
BE/PL	4	49.988/49.998	53.695/53.708	23.440	1.838	0.021/0.069	BS	60010CP	71-4168/4 STD 0.25 0.50
MB/HL 1,3,5	3	59.960/59.973	63.657/63.676	25.530	1.837	0.020/0.067	BS	60011CP	H1030/5 STD 0.25 0.50
MB/HL 2,4	2	59.960/59.973	63.657/63.676	18.360	1.837	0.020/0.067	BS	60012CP	
TW/A	4	65.786/66.040	82.423/82.677		2.362		AL-LF	2777AF	A178/4 STD
SE/PB	1	21.994/22.000	25.120/25.146	23.720			BS	60014X	55-4280 SEMI







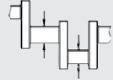
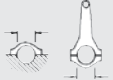





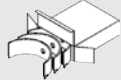




JJ452
(MVQ)







NA5066  35.00x50.00x10.00mm, ACM





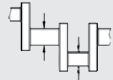
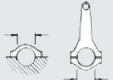





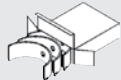






JJ452

FIAT GROUP

860		 78.10		Petrol							
AR 01563		4 Cyl.		1570cc		79kW (107)PS		TD29		113	
											
BE/PL	4	49.988/49.998	53.695/53.708	23.440	1.838	0.021/0.069	BS	60010CP	71-4168/4 STD 0.25 0.50		
MB/HL 1,3,5	3	59.960/59.973	63.657/63.676	25.530	1.837	0.020/0.067	BS	60011CP	H1030/5 STD 0.25 0.50		
MB/HL 2,4	2	59.960/59.973	63.657/63.676	18.360	1.837	0.020/0.067	BS	60012CP			
TW/A	4	65.786/66.040	82.423/82.677		2.362		AL-LF	2777AF	A178/4 STD		
SE/PB	1	21.994/22.000	25.120/25.146	23.720			BS	60014X	55-4280 SEMI		
											
							NA5066  35.00x50.00x10.00mm, ACM				

861		 78.10		Petrol							
AR 10538		4 Cyl.		1570cc		83kW (113)PS		TD21726			
											
							NA5066  35.00x50.00x10.00mm, ACM				

862		 79.00		Petrol							
192 B3.000		4 Cyl.		10.5:1 1598cc		77kW (105)PS		TD22147		114	
											
BE/PL	4	45.508/45.528	48.629/48.646	19.200	1.547	0.020/0.069	AL-LF	1645RA	01-4127/4 STD 0.25 0.50		
BE/PL	4	45.498/45.518	48.630/48.646	19.200	1.544	0.020/0.085	BS	1645CP	71-4126/4 STD		
MB/HL 1,2,4,5	4	50.780/50.800	54.507/54.520	20.250	1.849	0.020/0.067	AL-LF	1646RA	H1075/5 STD 0.25 0.50		
MB/HL 3	1	50.780/50.800	54.507/54.520	22.750	1.849	0.020/0.067	AL-LF	1647RA			
TW/A	2	56.610/56.864	69.596/69.850		2.362		AL-LF	60987AFA	A198/2 STD .005		
SE/PB	1	21.539/21.641	23.939/23.972	25.100			BS	62039Y	55-4288 SEMI		
											
							NB698  80.00x98.00x10.00mm, FPM				

863	79.375	Diesel			
4.108	4 Cyl.	22:1	1760cc	38kW (52)PS	TD141 115

 87-315200-00 STD A 50.24 D 105.41 27x68	 08-315200-00 STD 1.99 CR P 1.60 P 1.60 P 3.16 P 4.75 P	 14-010900-00 D B 82.63 C 165.10	 08-313400-00 STD 1.99 CR P 1.60 P 1.60 P 4.75 P 4.75 P

BE/PL	4	50.787/50.800	54.508/54.521	22.350	1.835	0.038/0.089	AL-LF	2580RA	01-4314/4 STD 0.25 0.50
MB/HL 1-3	3	57.099/57.112	60.833/60.846	31.880	1.836	0.049/0.100	AL-LF	2581RAA	H1138/3 STD 0.25

864	79.50	Diesel				
198 A2.000	4 Cyl.	16.1:1	1598cc	88kW (120)PS	Turbo Intercooled	TD21042 116
198 A2.000	4 Cyl.	16.1:1	1598cc	88kW (120)PS	Turbo Intercooled	TD21047 116
198 A2.000	4 Cyl.	16.5:1	1598cc	88kW (120)PS	Turbo Intercooled	TD21698 116
955 A3.000 Euro 5	4 Cyl.	16.5:1	1598cc	88kW (120)PS	Turbo Intercooled	TD23575 116
955 A3.000 Euro 5	4 Cyl.	16.5:1	1598cc	88kW (120)PS	Turbo Intercooled	TD24591 116



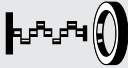


 08-429300-00 STD 2.00 GDC P 1.75 P 2.00 CR P	 GDC LKZ-Ring®

BE/PL	4	48.226/48.244	51.354/51.366	19.100	1.540	0.030/0.056	EC-LF	71-4776	71-4776/4 STD [23]
MB/HL 1-5	5		56.705/56.718	20.750	1.861		AL-LF	02-4777	H1293/5 STD
TW/A	2	59.000/59.260	73.600/73.850		2.485		AL-LF	04-4778	A291/2 STD
SE/PB	1	26.000	28.939/28.972	22.100			BS-LF	55-4779	55-4779 SEMI

FIAT GROUP



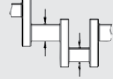







...Continued



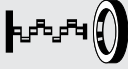


864 79.50 Diesel

		
		NA5070  31.00x41.00x7.00mm, FPM NF888  93.00x172.00x12.00mm, FPM

865 79.50 Diesel


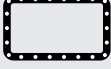



198 A3.000	4 Cyl.	16.5:1	1598cc	77kW (105)PS	Turbo Intercooled	TD24568	116
-------------------	--------	--------	--------	---------------------	--------------------------	----------------	------------

									
MB/HL 1-5	5		56.705/56.718	20.750	1.861		AL-LF	02-4777	H1293/5 STD
TW/A	2	59.000/59.260	73.600/73.850		2.485		AL-LF	04-4778	A291/2 STD
SE/PB	1	26.000	28.939/28.972	22.100			BS-LF	55-4779	55-4779 SEMI

		
		NA5070  31.00x41.00x7.00mm, FPM NF888  93.00x172.00x12.00mm, FPM



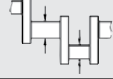
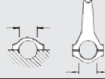






866 79.50 Diesel

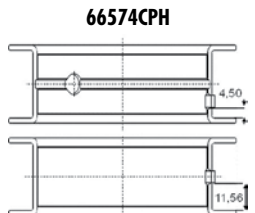
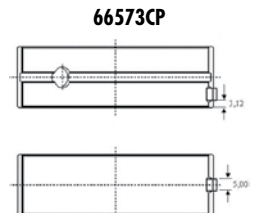
198 A6.000	4 Cyl.	16.5:1	1598cc	66kW (90)PS	Turbo Intercooled	TD24596	117
263 A3.000	4 Cyl.	16.5:1	1598cc	74kW (101)PS		TD24768	116
263 A4.000	4 Cyl.	16.5:1	1598cc	66kW (90)PS	Turbo Intercooled	TD24769	117
350 A3.000	4 Cyl.	16.5:1	1598cc	85kW (116)PS	Turbo Intercooled	TD24974	117
944 A 3.000	4 Cyl.	16.5:1	1598cc	77kW (105)PS	Turbo Intercooled	TD25422	117

		
		NA5070  31.00x41.00x7.00mm, FPM NF888  93.00x172.00x12.00mm, FPM




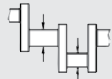
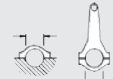







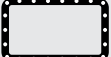
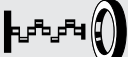


867 79.50 Diesel



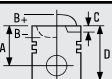


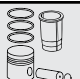





350 A2.000	4 Cyl.	16.5:1	1598cc	85-88kW (116-120)PS	Turbo Intercooled	TD22138	116
350 A2.000	4 Cyl.	16.5:1	1598cc	85-88kW (116-120)PS	Turbo Intercooled	TD24899	117




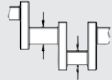
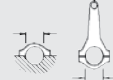





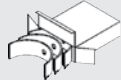


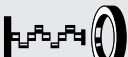


									
BE/PL	4	48.226/48.244	51.354/51.366	19.100	1.540	0.030/0.056	EC-LF	71-4776	71-4776/4 STD [23]
MB/HL 1-4	4	76.187/76.200	80.586/80.607	24.990	2.172	0.038/0.097	BS	66573CP	H1094/5 STD 0.25
MB/HL 5	1	76.187/76.200	80.586/80.607	31.950	2.172	0.038/0.097	BS	66574CPH	
MB/HL 1-5	5		56.705/56.718	20.750	1.861		AL-LF	02-4777	H1293/5 STD





...Continued



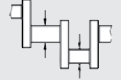
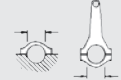






867		 79.50	Diesel							
										
TW/A	2	59.000/59.260	73.600/73.850		2.485		AL-LF	04-4778	A291/2 STD	
SE/PB	1	31.990/31.996	34.895/34.920	30.700			BS	66579YA	55-4186 SEMI	
SE/PB	1	26.000	28.939/28.972	22.100			BS-LF	55-4779	55-4779 SEMI	
										
						NA5070  31.00x41.00x7.00mm, FPM NF888  93.00x172.00x12.00mm, FPM				

868		 79.50	Diesel							
844 A3.000	4 Cyl.	16.1:1	1598cc	88kW (120)PS	Turbo Intercooled	TD25652				
										
		08-429300-00 STD								
		2.00  GDC P								
		1.75  P								
		2.00  CR P								
										

869		 79.50	Diesel							
940 A3.000	4 Cyl.	16.5:1	1598cc	77kW (105)PS	Turbo Intercooled	TD23923	116			
955 A4.000	4 Cyl.		1598cc	85kW (115)PS	Turbocharged	TD23451	116			
955 A4.000	4 Cyl.		1598cc	85kW (115)PS	Turbocharged	TD25735	117			
955 A4.000	4 Cyl.	16.5:1	1598cc	85kW (116)PS	Turbo Intercooled	TD24651	117			
										
BE/PL	4	48.226/48.244	51.354/51.366	19.100	1.540	0.030/0.056	EC-LF	71-4776	71-4776/4 STD [23]	
MB/HL 1-5	5		56.705/56.718	20.750	1.861		AL-LF	02-4777	H1293/5 STD	
TW/A	2	59.000/59.260	73.600/73.850		2.485		AL-LF	04-4778	A291/2 STD	
SE/PB	1	26.000	28.939/28.972	22.100			BS-LF	55-4779	55-4779 SEMI	
										
						NA5070  31.00x41.00x7.00mm, FPM NF888  93.00x172.00x12.00mm, FPM				

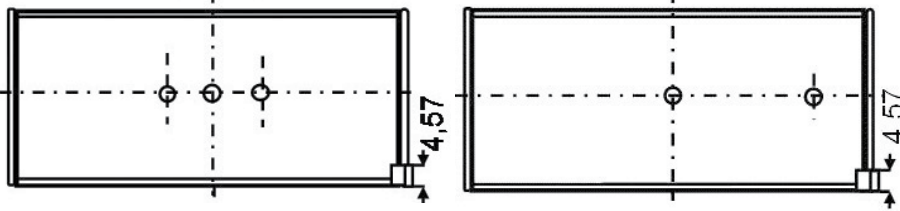
FIAT GROUP

870	 80.00	Petrol				
124 BL 1.016	4 Cyl.	7.5:1	1438cc	34kW (46)PS	TD6890	
128 A 064	4 Cyl.	9.2:1	1116cc	40-44kW (54-60)PS	TD23118	
128 BB.0A0	4 Cyl.	8.8:1	1116cc	48kW (65)PS	TD23459	
138 AE 0A.0	4 Cyl.	9.2:1	1116cc	44kW (60)PS	TD23461	
146 A4.000	4 Cyl.	9.2:1	1116cc	43kW (58)PS	TD22226	



									
BE/PL	4	45.508/45.528	48.629/48.646	19.200	1.547	0.020/0.069	AL-LF	1645RA	01-4127/4 STD 0.25 0.50
BE/PL	4	45.508/45.528	48.629/48.646	19.200	1.538	0.025/0.087	AL-LF	60985RA	01-4171/4 STD

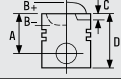
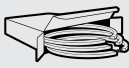
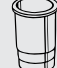
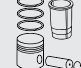
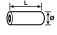



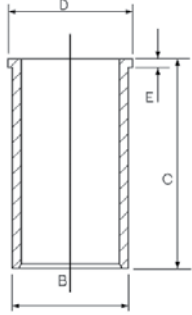
1645RA

60985RA








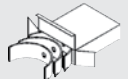

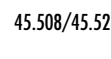

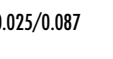



MB/HL 1,2,4,5	4	50.785/50.805	54.507/54.520	20.250	1.831	0.040/0.098	AL-LF	60986RA	H1028/5 STD 0.25
MB/HL 3	1	50.785/50.805	54.507/54.520	22.750	1.831	0.040/0.098	AL-LF	60987RA	
TW/A	2	56.610/56.864	69.596/69.850		2.362		AL-LF	60987AFA	A198/2 STD .005
SE/PB	1	21.539/21.641	23.939/23.972	25.100			BS	62039Y	55-4288 SEMI

871	 80.00	Petrol				
128 A.000	4 Cyl.	8.8:1	1116cc	33-48kW (45-65)PS	TD888	118
128 A.048	4 Cyl.	9.2:1	1116cc	33kW (45)PS	TD5378	119
138 B.000	4 Cyl.	9.2:1	1116cc	40-44kW (55-60)PS	TD923	121

			
87-203100-00 STD 87-203106-00 0.40mm 87-203108-00 0.60mm A 35.05 B+ 0.60 D 77.05  22x71	08-203100-00 STD 08-203104-00 0.20mm 08-203106-00 0.40mm 08-203108-00 0.60mm 08-203110-00 0.80mm 08-203111-00 1.00mm 1.50  CR P 2.00  P 3.95  P	14-018920-00 D B 84.00 C 114.00 	

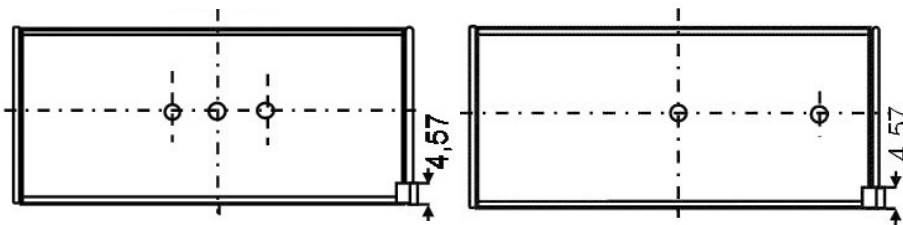
...Continued



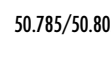
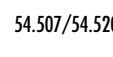


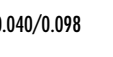



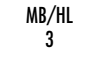

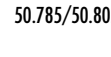
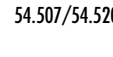
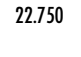
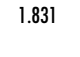
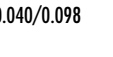



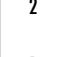
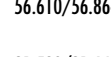
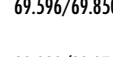
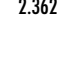
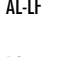


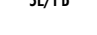

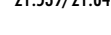
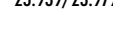
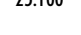
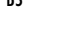
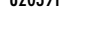

871  **80.00** **Petrol**

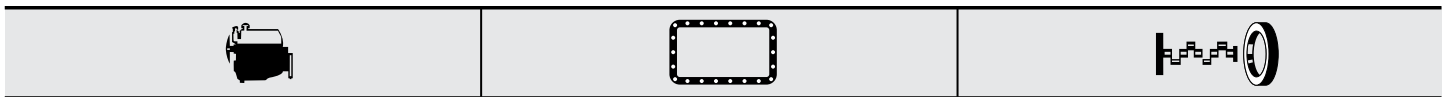
									
BE/PL	4	45.508/45.528	48.629/48.646	19.200	1.547	0.020/0.069	AL-LF	1645RA	01-4127/4 STD 0.25 0.50
									
BE/PL	4	45.508/45.528	48.629/48.646	19.200	1.538	0.025/0.087	AL-LF	60985RA	01-4171/4 STD

1645RA



60985RA



									
MB/HL 1,2,4,5	4	50.785/50.805	54.507/54.520	20.250	1.831	0.040/0.098	AL-LF	60986RA	H1028/5 STD 0.25
									
MB/HL 3	1	50.785/50.805	54.507/54.520	22.750	1.831	0.040/0.098	AL-LF	60987RA	
									
TW/A	2	56.610/56.864	69.596/69.850		2.362		AL-LF	60987AFA	A198/2 STD .005
									
SE/PB	1	21.539/21.641	23.939/23.972	25.100			BS	62039Y	55-4288 SEMI





JH494

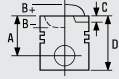
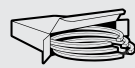
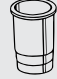




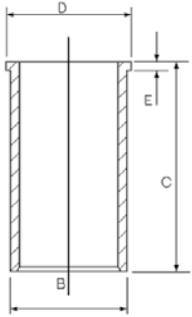
NB818  40.00x56.00x7.00mm, ACM
NA5049  64.00x80.00x8.00mm, ACM



JH494

872  **80.00** **Petrol** 



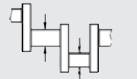
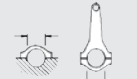





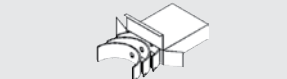
128 AC5.000 4 Cyl. 9.2:1 1116cc 48kW (65)PS TD891 120

			
	<p>08-203100-00 STD</p> <p>08-203104-00 0.20mm</p> <p>08-203106-00 0.40mm</p> <p>08-203108-00 0.60mm</p> <p>08-203110-00 0.80mm</p> <p>08-203111-00 1.00mm</p> <p>1.50  CR P</p> <p>2.00  P</p> <p>3.95  P</p>	<p>14-028710-00 D</p> <p>B 86.53 C 125.10 D 95.00 E 7.80</p> 	

FIAT GROUP

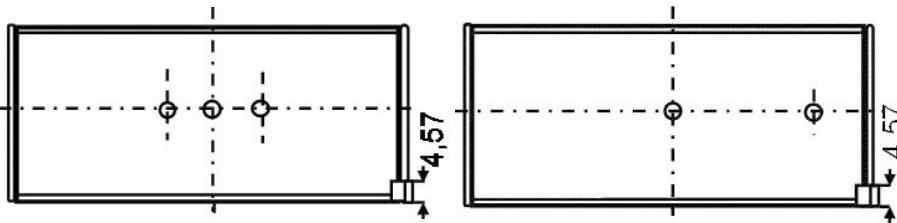
...Continued

872

									
BE/PL	4	45.508/45.528	48.629/48.646	19.200	1.538	0.025/0.087	AL-LF	60985RA	01-4171/4 STD

1645RA



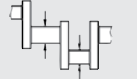
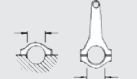






60985RA



MB/HL 1,2,4,5	4	50.785/50.805	54.507/54.520	20.250	1.831	0.040/0.098	AL-LF	60986RA	H1028/5 STD 0.25
MB/HL 3	1	50.785/50.805	54.507/54.520	22.750	1.831	0.040/0.098	AL-LF	60987RA	
TW/A	2	56.610/56.864	69.596/69.850		2.362		AL-LF	60987AFA	A198/2 STD .005
SE/PB	1	21.539/21.641	23.939/23.972	25.100			BS	62039Y	55-4288 SEMI

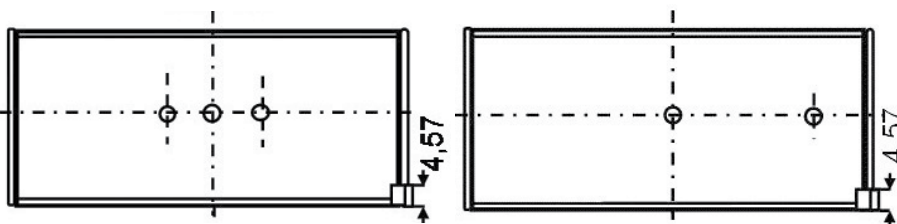
873

138 B1.000	4 Cyl.	9.6:1	1116cc	40kW (55)PS	TD924	122
138 C1.000	4 Cyl.	9.2:1	1116cc	40-42kW (55-57)PS	TD18371	123
146 A4.044	4 Cyl.	9.2:1	1116cc	37kW (50)PS	TD9469	124
146 A4.048	4 Cyl.	9.2:1	1116cc	43kW (58)PS	TD4375	125

									
BE/PL	4	45.508/45.528	48.629/48.646	19.200	1.538	0.025/0.087	AL-LF	60985RA	01-4171/4 STD





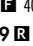
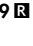

1645RA





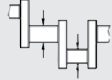
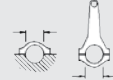












60985RA





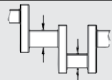
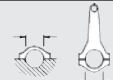








MB/HL 1,2,4,5	4	50.785/50.805	54.507/54.520	20.250	1.831	0.040/0.098	AL-LF	60986RA	H1028/5 STD 0.25
MB/HL 3	1	50.785/50.805	54.507/54.520	22.750	1.831	0.040/0.098	AL-LF	60987RA	
TW/A	2	56.610/56.864	69.596/69.850		2.362		AL-LF	60987AFA	A198/2 STD .005
SE/PB	1	21.539/21.641	23.939/23.972	25.100			BS	62039Y	55-4288 SEMI

...Continued




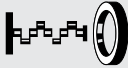
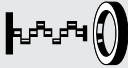

873	 80.00	Petrol
		
	JH494	NB818  40.00x56.00x7.00mm, ACM NA5049  64.00x80.00x8.00mm, ACM
	 JH494	



874	 80.00	Petrol							
146 A6.000	4 Cyl.	9.35:1	1116cc	43kW (58)PS	TD9493	126			
									
BE/PL	4	43.988/44.008	47.130/47.142	18.500	1.546	0.030/0.087	AL-LF	68090RA	01-4207/4 STD 0.25 0.50
MB/HL 1,2,4,5	4	48.189/48.209	51.921/51.934	17.650	1.841	0.030/0.088	AL-LF	68091RA	H1069/5 STD 0.25 0.50
MB/HL 3	1	48.189/48.209	51.921/51.934	25.250	1.841	0.030/0.088	AL-LF	68092RA	
TW/A	2	54.224/54.478	66.996/67.520		2.362		AL-LF	68092AF	A221/2 STD
SE/PB	1	21.539/21.641	23.939/23.972	25.100			BS	62039Y	55-4288 SEMI
									
	JH494	NB818  40.00x56.00x7.00mm, ACM NA5049  64.00x80.00x8.00mm, ACM							
	 JH494								



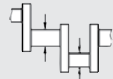
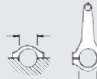






875	 80.00	Petrol							
146 A9.000	4 Cyl.		1116cc	40kW (55)PS	TD945	127			
									
BE/PL	4	43.988/44.008	47.130/47.142	18.500	1.546	0.030/0.087	AL-LF	68090RA	01-4207/4 STD 0.25 0.50
MB/HL 1,2,4,5	4	48.189/48.209	51.921/51.934	17.650	1.841	0.030/0.088	AL-LF	68091RA	H1069/5 STD 0.25 0.50
MB/HL 3	1	48.189/48.209	51.921/51.934	25.250	1.841	0.030/0.088	AL-LF	68092RA	
TW/A	2	54.224/54.478	66.996/67.520		2.362		AL-LF	68092AF	A221/2 STD
SE/PB	1	21.539/21.641	23.939/23.972	25.100			BS	62039Y	55-4288 SEMI

FIAT GROUP

...Continued

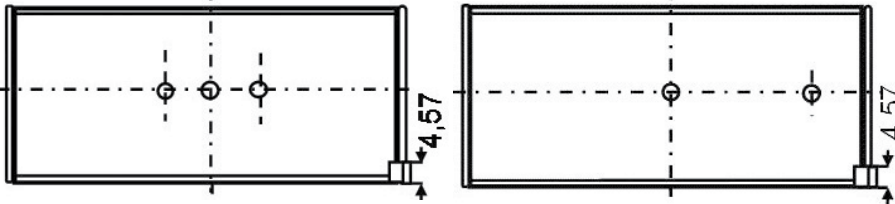
875	 80.00	Petrol
		
	JJ078	NB818  40.00x56.00x7.00mm, ACM
		
	JJ078	

876	 80.00	Petrol				
146 C3.000	4 Cyl.	9.2:1	1116cc	36kW (49)PS	TD4348	128



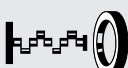
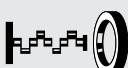
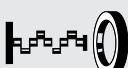
									
BE/PL	4	45.508/45.528	48.629/48.646	19.200	1.547	0.020/0.069	AL-LF	1645RA	01-4127/4 STD 0.25 0.50
BE/PL	4	45.508/45.528	48.629/48.646	19.200	1.538	0.025/0.087	AL-LF	60985RA	01-4171/4 STD



1645RA



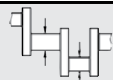







60985RA





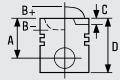
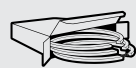
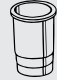




MB/HL 1,2,4,5	4	50.785/50.805	54.507/54.520	20.250	1.831	0.040/0.098	AL-LF	60986RA	H1028/5 STD 0.25
MB/HL 3	1	50.785/50.805	54.507/54.520	22.750	1.831	0.040/0.098	AL-LF	60987RA	
TW/A	2	56.610/56.864	69.596/69.850		2.362		AL-LF	60987AFA	A198/2 STD .005
SE/PB	1	21.539/21.641	23.939/23.972	25.100			BS	62039Y	55-4288 SEMI

		
	HR397	NB815  23.00x35.00x7.00mm, FPM NA5061  74.00x88.00x8.00mm, FPM



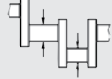
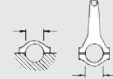






877	 80.00	Petrol				
831 B8.000	4 Cyl.		1116cc	47kW (64)PS	TD1819	129

									
BE/PL	4	45.508/45.528	48.629/48.646	19.200	1.547	0.020/0.069	AL-LF	1645RA	01-4127/4 STD 0.25 0.50
MB/HL 1,2,4,5	4	50.785/50.805	54.507/54.520	20.250	1.831	0.040/0.098	AL-LF	60986RA	H1028/5 STD 0.25
MB/HL 3	1	50.785/50.805	54.507/54.520	22.750	1.831	0.040/0.098	AL-LF	60987RA	
TW/A	2	56.610/56.864	69.596/69.850		2.362		AL-LF	60987AFA	A198/2 STD .005
SE/PB	1	21.539/21.641	23.939/23.972	25.100			BS	62039Y	55-4288 SEMI

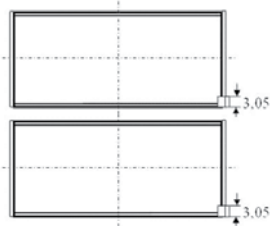
878	 80.00	Petrol			
AR 30102	4 Cyl.	1186cc	46kW (63)PS	TD5335	130
AR 30160	4 Cyl.	9:1 1351cc	51kW (69)PS	TD81	131
AR 30587	4 Cyl.	1351cc	63-66kW (86-90)PS	TD97	138
AR 31000	4 Cyl.	9:1 1186cc	44-47kW (60-64)PS	TD99	133
AR 31010	4 Cyl.	9:1 1351cc	63kW (86)PS	TD100	141

			
	08-107800-10 STD		
	1.50  CR P		
	1.75  P		
	4.00  CR [15]		

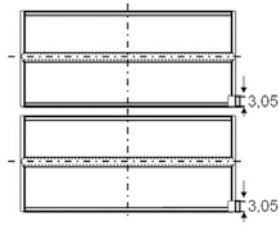
[15] Steel [15] Acier [15] Acciaio [15] Acero

									
BE/PL	4	49.984/50.000	53.696/53.708	17.800	1.836	0.024/0.077	AL-LF	66325RA	01-4178/4 STD 0.25 0.50
BE/PL	4	49.992/50.000	53.696/53.708	17.800	1.836	0.024/0.069	AL-LF	66625RA	01-4188/4 STD 0.25 0.50

66325RA



66625RA





MB/HL 1-3	3	59.944/59.957	63.663/63.673	23.400	1.841	0.024/0.072	AL-LF	66326RA	H1044/3 STD 0.25 0.50
TW/A	2	65.790/66.040	82.420/82.680		2.362		BS	66326AF	A205/2 STD
SE/PB	1	20.996/21.000	23.005/23.020	23.500			BS	66329Y	55-4505 SEMI

		
---	---	---



JH565

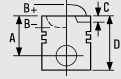
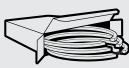







JH565



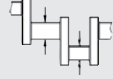
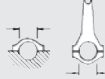






NA5063  40.00x56.00x10.00mm, ACM
NA5065  62.00x80.00x12.00mm, ACM

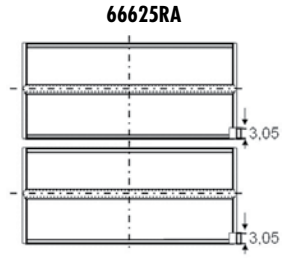
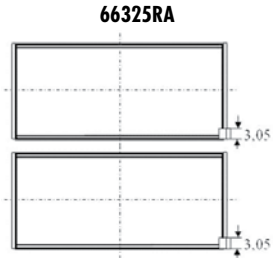
FIAT GROUP

879	 80.00	Petrol							
AR 30102 S	4 Cyl.		1186cc			44kW (60)PS		TD5336	130
AR 30180	4 Cyl.		1286cc			48-50kW (65-68)PS		TD84	134
AR 30732	4 Cyl.	9.7:1	1351cc			66kW (90)PS		TD107	



			
	08-107800-10 STD		
	1.50  CR P		
	1.75  P		
	4.00  CR [15]		

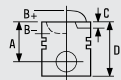
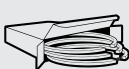





[15] Steel [15] Acier [15] Acciaio [15] Acero

									
BE/PL	4	49.984/50.000	53.696/53.708	17.800	1.836	0.024/0.077	AL-LF	66325RA	01-4178/4 STD 0.25 0.50
BE/PL	4	49.992/50.000	53.696/53.708	17.800	1.836	0.024/0.069	AL-LF	66625RA	01-4188/4 STD 0.25 0.50



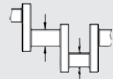
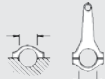








MB/HL 1-3	3	59.944/59.957	63.663/63.673	23.400	1.841	0.024/0.072	AL-LF	66326RA	H1044/3 STD 0.25 0.50
TW/A	2	65.790/66.040	82.420/82.680		2.362		BS	66326AF	A205/2 STD
SE/PB	1	20.996/21.000	23.005/23.020	23.500			BS	66329Y	55-4505 SEMI




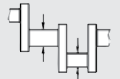
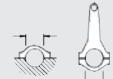





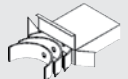
880	 80.00	Petrol							
AR 30104	4 Cyl.	9:1	1186cc			50kW (68)PS		TD77	131
AR 30164	4 Cyl.	9:1	1351cc			55kW (75)PS		TD82	136
AR 30168	4 Cyl.	9.5:1	1351cc			63-66kW (85-90)PS		TD83	137
AR 30502	4 Cyl.	9:1	1351cc			55-58kW (75-79)PS		TD88	138
AR 30586	4 Cyl.		1351cc			55kW (75)PS		TD96	138

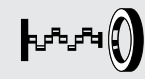
			
	08-107800-10 STD		
	1.50  CR P		
	1.75  P		
	4.00  CR [15]		

[15] Steel [15] Acier [15] Acciaio [15] Acero


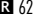
									
BE/PL	4	49.984/50.000	53.696/53.708	17.800	1.836	0.024/0.077	AL-LF	66325RA	01-4178/4 STD 0.25 0.50
MB/HL 1-3	3	59.944/59.957	63.663/63.673	23.400	1.841	0.024/0.072	AL-LF	66326RA	H1044/3 STD 0.25 0.50

...Continued

880		 80.00	Petrol							
										
TW/A	2	65.790/66.040	82.420/82.680		2.362		BS	66326AF	A205/2 STD	
SE/PB	1	20.996/21.000	23.005/23.020	23.500			BS	66329Y	55-4505 SEMI	




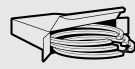
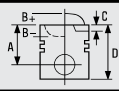
JH565




NA5063  40.00x56.00x10.00mm, ACM
NA5065  62.00x80.00x12.00mm, ACM





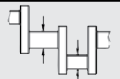
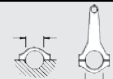





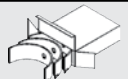
JH565


881		 80.00	Petrol							
AR 30500	4 Cyl.	1186cc	44-50kW (60-68)PS			TD87 130				



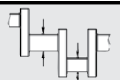






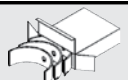


08-107800-10 STD
 1.50  CR P
 1.75  P
 4.00  CR [15]

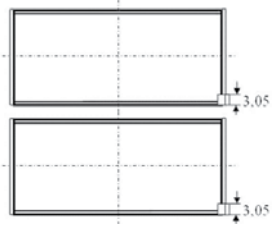
[15] Steel [15] Acier [15] Acciaio [15] Acero

									
BE/PL	4	49.984/50.000	53.696/53.708	17.800	1.836	0.024/0.077	AL-LF	66325RA	01-4178/4 STD 0.25 0.50
MB/HL 1-3	3	59.944/59.957	63.663/63.673	23.400	1.841	0.024/0.072	AL-LF	66326RA	H1044/3 STD 0.25 0.50
TW/A	2	65.790/66.040	82.420/82.680		2.362		BS	66326AF	A205/2 STD
SE/PB	1	20.996/21.000	23.005/23.020	23.500			BS	66329Y	55-4505 SEMI

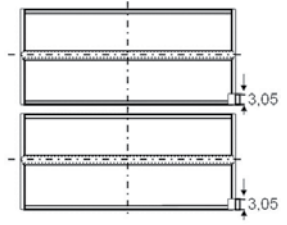
882		 80.00	Petrol							
AR 30585	4 Cyl.	1186cc	50kW (68)PS			TD10129 132				

									
BE/PL	4	49.984/50.000	53.696/53.708	17.800	1.836	0.024/0.077	AL-LF	66325RA	01-4178/4 STD 0.25 0.50
BE/PL	4	49.992/50.000	53.696/53.708	17.800	1.836	0.024/0.069	AL-LF	66625RA	01-4188/4 STD 0.25 0.50

66325RA




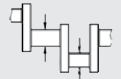
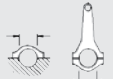








66625RA






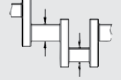







FIAT GROUP

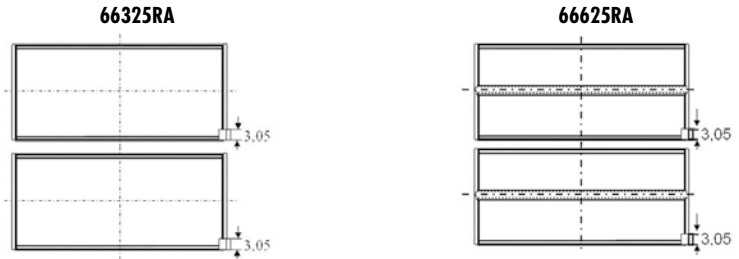
...Continued

882		 80.00	Petrol							
										


		
	JH565	NA5063  40.00x56.00x10.00mm, ACM NA5065  62.00x80.00x12.00mm, ACM
	JH565	




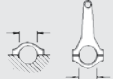






883		 80.00	Petrol							
AR 30743	4 Cyl.	1186cc	57kW (80)PS		TD113					



									
BE/PL	4	49.984/50.000	53.696/53.708	17.800	1.836	0.024/0.077	AL-LF	66325RA	01-4178/4 STD 0.25 0.50
BE/PL	4	49.992/50.000	53.696/53.708	17.800	1.836	0.024/0.069	AL-LF	66625RA	01-4188/4 STD 0.25 0.50

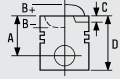
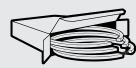
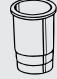

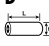
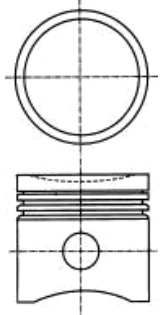





MB/HL 1-3	3	59.944/59.957	63.663/63.673	23.400	1.841	0.024/0.072	AL-LF	66326RA	H1044/3 STD 0.25 0.50
TW/A	2	65.790/66.040	82.420/82.680		2.362		BS	66326AF	A205/2 STD
SE/PB	1	20.996/21.000	23.005/23.020	23.500			BS	66329Y	55-4505 SEMI



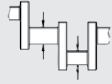
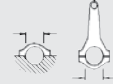





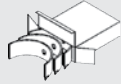
884		 80.00	Petrol							
AR 30100	4 Cyl.	1351cc	58kW (79)PS		TD76 135					

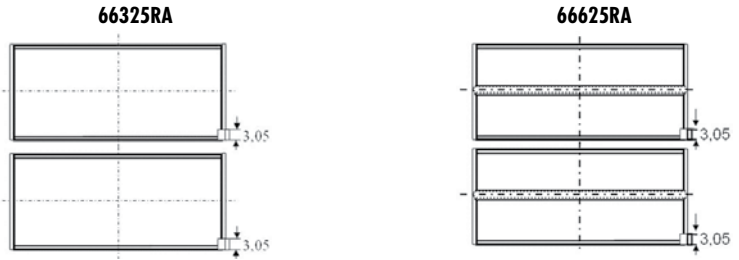
									
BE/PL	4	49.984/50.000	53.696/53.708	17.800	1.836	0.024/0.077	AL-LF	66325RA	01-4178/4 STD 0.25 0.50
MB/HL 1-3	3	59.944/59.957	63.663/63.673	23.400	1.841	0.024/0.072	AL-LF	66326RA	H1044/3 STD 0.25 0.50
TW/A	2	65.790/66.040	82.420/82.680		2.362		BS	66326AF	A205/2 STD
SE/PB	1	20.996/21.000	23.005/23.020	23.500			BS	66329Y	55-4505 SEMI

885	 80.00	Petrol				
AR 30753	4 Cyl.	9.5:1	135lcc	65-66kW (88-90)PS	TD119	139
AR 30755	4 Cyl.	9.5:1	135lcc	65-66kW (88-90)PS	TD120	140
AR 33501	4 Cyl.		135lcc	66kW (90)PS	TD123	140







			
87-107806-10 0.40mm A 37.40 B- 3.90 D 70.40  21x62		08-107800-10 STD 1.50  CR P 1.75  P 4.00  CR [15]	

[15] Steel [15] Acier [15] Acciaio [15] Acero



									
BE/PL	4	49.984/50.000	53.696/53.708	17.800	1.836	0.024/0.077	AL-LF	66325RA	01-4178/4 STD 0.25 0.50
BE/PL	4	49.992/50.000	53.696/53.708	17.800	1.836	0.024/0.069	AL-LF	66625RA	01-4188/4 STD 0.25 0.50

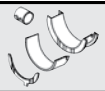

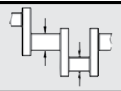
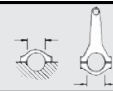




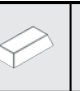
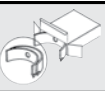
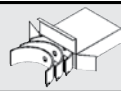




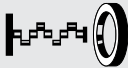
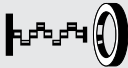
MB/HL 1-3	3	59.944/59.957	63.663/63.673	23.400	1.841	0.024/0.072	AL-LF	66326RA	H1044/3 STD 0.25 0.50
TW/A	2	65.790/66.040	82.420/82.680		2.362		BS	66326AF	A205/2 STD
SE/PB	1	20.996/21.000	23.005/23.020	23.500			BS	66329Y	55-4505 SEMI



		
	JH565  JH565	NA5063  40.00x56.00x10.00mm, ACM NA5065  62.00x80.00x12.00mm, ACM

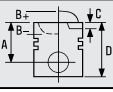
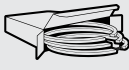





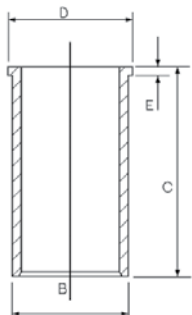
FIAT GROUP



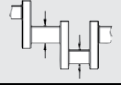
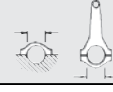




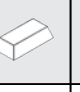
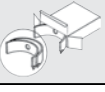
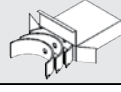
886	 80.00	Petrol				
AR 01644	4 Cyl.	1357cc	66-70kW (90-95)PS	TD35	142	
AR 11644	4 Cyl.	9:1	1357cc	66-70kW (90-95)PS	TD22399	

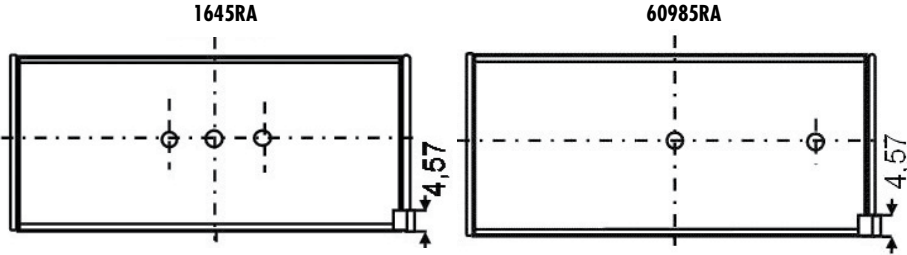
										
BE/PL	4	44.963/44.975	48.658/48.671	23.440	1.829	0.025/0.075	AL-LF	2650RA	01-4307/4 0.25	
MB/HL 1,3,5	3	59.960/59.973	63.657/63.676	25.530	1.837	0.020/0.067	BS	60011CP	H1030/5 STD 0.25 0.50	
MB/HL 2,4	2	59.960/59.973	63.657/63.676	18.360	1.837	0.020/0.067	BS	60012CP		
TW/A	4	65.786/66.040	82.423/82.677		2.362		AL-LF	2777AF	A178/4 STD	
SE/PB	1	21.994/22.000	25.120/25.146	23.720			BS	60014X	55-4280 SEMI	

		
		NA5066  35.00x50.00x10.00mm, ACM

887	 80.00	Petrol				
124 AC.000	4 Cyl.	8.9:1	1438cc	59-66kW (80-90)PS	TD13413	143

			
	08-203100-00 STD 08-203104-00 0.20mm 08-203106-00 0.40mm 08-203108-00 0.60mm 08-203110-00 0.80mm 08-203111-00 1.00mm 1.50  CR P 2.00  P 3.95  P	14-018920-00 D B 84.00 C 114.00 	



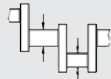
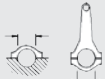






										
BE/PL	4	45.508/45.528	48.629/48.646	19.200	1.547	0.020/0.069	AL-LF	1645RA	01-4127/4 STD 0.25 0.50	
BE/PL	4	45.508/45.528	48.629/48.646	19.200	1.538	0.025/0.087	AL-LF	60985RA	01-4171/4 STD	



MB/HL 1,2,4,5	4	50.785/50.805	54.507/54.520	20.250	1.831	0.040/0.098	AL-LF	60986RA	H1028/5 STD 0.25
MB/HL 3	1	50.785/50.805	54.507/54.520	22.750	1.831	0.040/0.098	AL-LF	60987RA	
TW/A	2	56.610/56.864	69.596/69.850		2.362		AL-LF	60987AFA	A198/2 STD .005

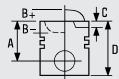
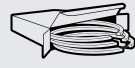
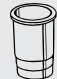
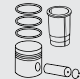



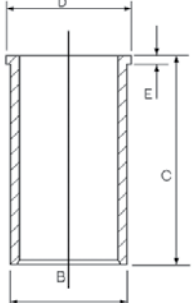
...Continued



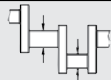
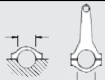






887  **80.00** **Petrol**

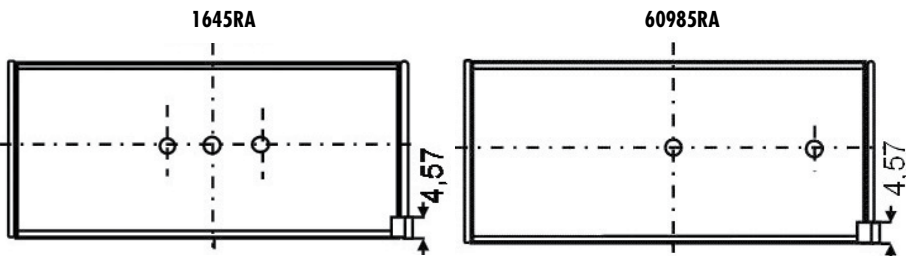
									
SE/PB	1	21.539/21.641	23.939/23.972	25.100			BS	62039Y	55-4288 SEMI

888  **80.00** **Petrol**






124 B2.000 4 Cyl. 9:1 1438cc 51-55kW (70-75)PS TD13412 144

			
	<p>08-203100-00 STD</p> <p>08-203104-00 0.20mm</p> <p>08-203106-00 0.40mm</p> <p>08-203108-00 0.60mm</p> <p>08-203110-00 0.80mm</p> <p>08-203111-00 1.00mm</p> <p>1.50  CR P</p> <p>2.00  P</p> <p>3.95  P</p>	<p>14-018920-00 D</p> <p>B 84.00 C 114.00</p> 	

									
BE/PL	4	45.508/45.528	48.629/48.646	19.200	1.547	0.020/0.069	AL-LF	1645RA	01-4127/4 STD 0.25 0.50
BE/PL	4	45.508/45.528	48.629/48.646	19.200	1.538	0.025/0.087	AL-LF	60985RA	01-4171/4 STD



MB/HL 1,2,4,5	4	50.785/50.805	54.507/54.520	20.250	1.831	0.040/0.098	AL-LF	60986RA	H1028/5 STD 0.25
MB/HL 3	1	50.785/50.805	54.507/54.520	22.750	1.831	0.040/0.098	AL-LF	60987RA	
TW/A	2	56.610/56.864	69.596/69.850		2.362		AL-LF	60987AFA	A198/2 STD .005
SE/PB	1	21.539/21.641	23.939/23.972	25.100			BS	62039Y	55-4288 SEMI

		
		<p>NB818  40.00x56.00x7.00mm, ACM</p> <p>NA5050  70.00x90.00x10.00mm, ACM</p>

FIAT GROUP

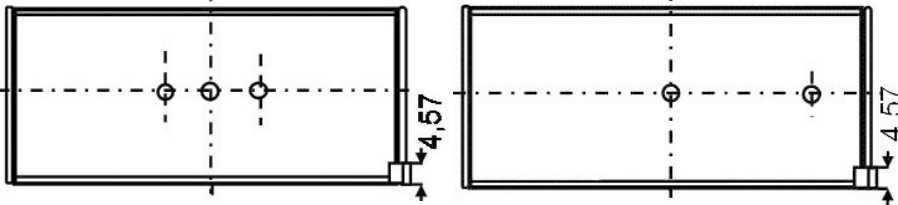
889	80.00	Petrol	
828 A2.000	4 Cyl.	1438cc	66kW (90)PS
			TD1793 145

	08-203100-00 STD 08-203104-00 0.20mm 08-203106-00 0.40mm 08-203108-00 0.60mm 08-203110-00 0.80mm 08-203111-00 1.00mm 1.50 CR P 2.00 P 3.95 P		

BE/PL	4	45.508/45.528	48.629/48.646	19.200	1.547	0.020/0.069	AL-LF	1645RA	01-4127/4 STD 0.25 0.50
BE/PL	4	45.508/45.528	48.629/48.646	19.200	1.538	0.025/0.087	AL-LF	60985RA	01-4171/4 STD

1645RA

60985RA





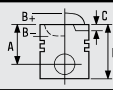
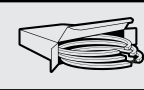
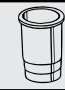




MB/HL 1,2,4,5	4	50.785/50.805	54.507/54.520	20.250	1.831	0.040/0.098	AL-LF	60986RA	H1028/5 STD 0.25
MB/HL 3	1	50.785/50.805	54.507/54.520	22.750	1.831	0.040/0.098	AL-LF	60987RA	
TW/A	2	56.610/56.864	69.596/69.850		2.362		AL-LF	60987AFA	A198/2 STD .005
SE/PB	1	21.539/21.641	23.939/23.972	25.100			BS	62039Y	55-4288 SEMI



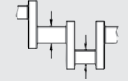
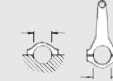






890	80.00	Petrol	
------------	--------------	---------------	--



131 AZ.000	4 Cyl.	9.2:1	1440cc	34-38kW (46-52)PS	TD6893
131 BZ 0C0	4 Cyl.		1440cc	38kW (52)PS	TD6891
131 FZ	4 Cyl.		1440cc	38kW (52)PS	TD6892



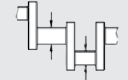






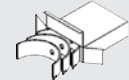
BE/PL	4	48.224/48.244	51.330/51.346	19.500	1.540	0.020/0.067	AL-LF	66315RA	01-4176/4 STD 0.25 0.50
MB/HL 1,2,4,5	4	52.985/53.005	56.717/56.730	20.750	1.841	0.030/0.088	AL-LF	66316RA	H1043/5 STD 0.25 0.50 0.75
MB/HL 3	1	52.985/53.005	56.717/56.730	24.250	1.841	0.030/0.088	AL-LF	66317RA	
TW/A	2	59.000/59.250	73.600/73.850		2.362		BS	62037AF	A201/2 STD .005
SE/PB	1	21.539/21.641	23.939/23.972	25.100			BS	62039Y	55-4288 SEMI

891  **80.00** **Petrol** 
132 A.000 4 Cyl. 9:1 1592cc **72kW (98)PS** **TD19053** **146**



			
	08-203100-00 STD 08-203104-00 0.20mm 08-203106-00 0.40mm 08-203108-00 0.60mm 08-203110-00 0.80mm 08-203111-00 1.00mm 1.50  CR P 2.00  P 3.95  P		

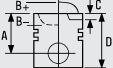
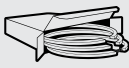





									
BE/PL	4	50.782/50.802	53.897/53.913	19.500	1.537	0.021/0.082	AL-LF	66240RA	01-4175/4 STD 0.25 0.50 0.75 1.00
01/75 →									
MB/HL 1,2,4,5	4	52.985/53.005	56.717/56.730	20.750	1.841	0.030/0.088	AL-LF	66316RA	H1043/5 STD 0.25 0.50 0.75
MB/HL 3	1	52.985/53.005	56.717/56.730	24.250	1.841	0.030/0.088	AL-LF	66317RA	
TW/A	2	59.000/59.250	73.600/73.850		2.362		BS	62037AF	A201/2 STD .005
SE/PB	1	21.539/21.641	25.000/25.021	25.100			BS	66649Y	55-4193 SEMI
SE/PB	1	21.539/21.641	23.939/23.972	25.100			BS	62039Y	55-4288 SEMI
07/84 →									



892  **80.00** **Petrol** 
132 A.9000 4 Cyl. 9:1 1592cc **70kW (95)PS** **TD21277** **147**



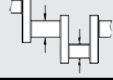
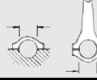






									
BE/PL	4	50.782/50.802	53.897/53.913	19.500	1.537	0.021/0.082	AL-LF	66240RA	01-4175/4 STD 0.25 0.50 0.75 1.00
01/75 →									
MB/HL 1,2,4,5	4	52.985/53.005	56.717/56.730	20.750	1.841	0.030/0.088	AL-LF	66316RA	H1043/5 STD 0.25 0.50 0.75
MB/HL 3	1	52.985/53.005	56.717/56.730	24.250	1.841	0.030/0.088	AL-LF	66317RA	
TW/A	2	59.000/59.250	73.600/73.850		2.362		BS	62037AF	A201/2 STD .005
SE/PB	1	21.539/21.641	25.000/25.021	25.100			BS	66649Y	55-4193 SEMI
SE/PB	1	21.539/21.641	23.939/23.972	25.100			BS	62039Y	55-4288 SEMI
07/84 →									



FIAT GROUP

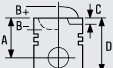
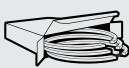

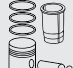



893	 80.00	Petrol	
132A.B.000-828	4 Cyl.	1592cc	FM932

			
	08-203100-00 STD 08-203104-00 0.20mm 08-203106-00 0.40mm 08-203108-00 0.60mm 08-203110-00 0.80mm 08-203111-00 1.00mm 1.50  CR P 2.00  P 3.95  P		




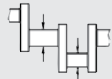
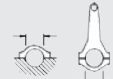





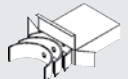
894	 80.00	Petrol	
132 AB.OA.0	4 Cyl.	9:1 1592cc	72kW (98)PS TD21455





									
BE/PL	4	50.782/50.802	53.897/53.913	19.500	1.537	0.021/0.082	AL-LF	66240RA	01-4175/4 STD 0.25 0.50 0.75 1.00
Mot.402353 →									
MB/HL 1,2,4,5	4	52.985/53.005	56.717/56.730	20.750	1.841	0.030/0.088	AL-LF	66316RA	H1043/5 STD 0.25 0.50 0.75
MB/HL 3	1	52.985/53.005	56.717/56.730	24.250	1.841	0.030/0.088	AL-LF	66317RA	
TW/A	2	59.000/59.250	73.600/73.850		2.362		BS	62037AF	A201/2 STD .005
SE/PB	1	21.539/21.641	23.939/23.972	25.100			BS	62039Y	55-4288 SEMI


895	 80.00	Petrol	
132 AC.000	4 Cyl.	1592cc	74-81kW (100-110)PS TD907 148

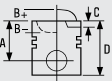
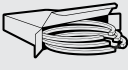
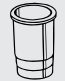



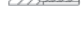
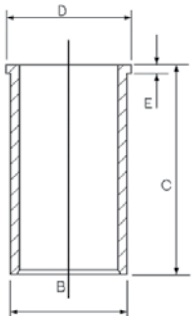
			
	08-203100-00 STD 08-203104-00 0.20mm 08-203106-00 0.40mm 08-203108-00 0.60mm 08-203110-00 0.80mm 08-203111-00 1.00mm 1.50  CR P 2.00  P 3.95  P		




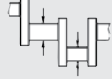
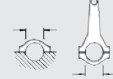






...Continued

895		 80.00	Petrol							
										
BE/PL	4	50.782/50.802	53.897/53.913	19.500	1.537	0.021/0.082	AL-LF	66240RA	01-4175/4 STD 0.25 0.50 0.75 1.00	
MB/HL 1,2,4,5	4	52.985/53.005	56.717/56.730	20.750	1.841	0.030/0.088	AL-LF	66316RA	H1043/5 STD 0.25 0.50 0.75	
MB/HL 3	1	52.985/53.005	56.717/56.730	24.250	1.841	0.030/0.088	AL-LF	66317RA		
TW/A	2	59.000/59.250	73.600/73.850		2.362		BS	62037AF	A201/2 STD .005	
SE/PB	1	21.539/21.641	25.000/25.021	25.100			BS	66649Y	55-4193 SEMI	
→06/84										
SE/PB	1	21.539/21.641	23.939/23.972	25.100			BS	62039Y	55-4288 SEMI	
07/84 →										

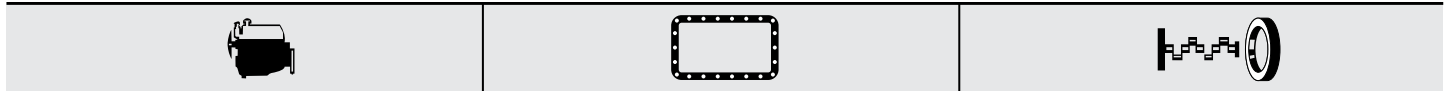
		
NA784  70.00x90.00x10.00mm, ACM		

896		 80.00	Petrol							
132 BB OA O	4 Cyl.	9:1	1592cc	71-72kW (97-98)PS		TD6825 149				

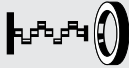
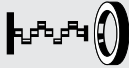
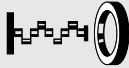
			
	08-203100-00 STD 08-203104-00 0.20mm 08-203106-00 0.40mm 08-203108-00 0.60mm 08-203110-00 0.80mm 08-203111-00 1.00mm 1.50  CR P 2.00  P 3.95  P	14-028710-00 D B 86.53 C 125.10 D 95.00 E 7.80 	

896		 80.00	Petrol							
										
BE/PL	4	50.782/50.802	53.897/53.913	19.500	1.537	0.021/0.082	AL-LF	66240RA	01-4175/4 STD 0.25 0.50 0.75 1.00	
01/75 →										
MB/HL 1,2,4,5	4	52.985/53.005	56.717/56.730	20.750	1.841	0.030/0.088	AL-LF	66316RA	H1043/5 STD 0.25 0.50 0.75	
MB/HL 3	1	52.985/53.005	56.717/56.730	24.250	1.841	0.030/0.088	AL-LF	66317RA		
TW/A	2	59.000/59.250	73.600/73.850		2.362		BS	62037AF	A201/2 STD .005	
SE/PB	1	21.539/21.641	25.000/25.021	25.100			BS	66649Y	55-4193 SEMI	
SE/PB	1	21.539/21.641	23.939/23.972	25.100			BS	62039Y	55-4288 SEMI	

896  **80.00** **Petrol**



JH111

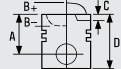
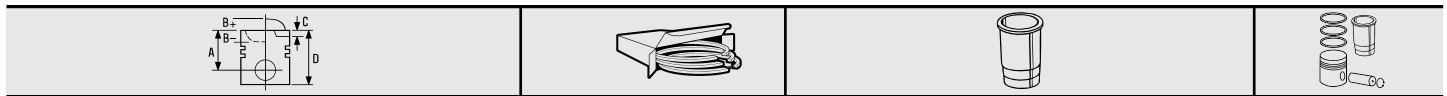
NB818  40.00x56.00x7.00mm, ACM
NA5050  70.00x90.00x10.00mm, ACM
NA784  70.00x90.00x10.00mm, ACM



JH111

897  **80.00** **Petrol** 

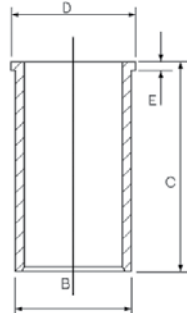
125 A.000	4 Cyl.	8.8:1	1608cc	66kW (90)PS	TD878	150
125 B.000	4 Cyl.	8.8:1	1608cc	74kW (100)PS	TD879	151



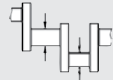
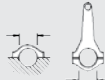




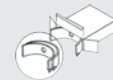



- 08-203100-00 STD
- 08-203104-00 0.20mm
- 08-203106-00 0.40mm
- 08-203108-00 0.60mm
- 08-203110-00 0.80mm
- 08-203111-00 1.00mm

- 1.50  CR P
- 2.00  P
- 3.95  P

14-028710-00 D
B 86.53 C 125.10 D 95.00 E 7.80



									
BE/PL	4	45.508/45.528	48.629/48.646	19.200	1.547	0.020/0.069	AL-LF	1645RA	01-4127/4 STD 0.25 0.50
MB/HL 1,2,4,5	4	50.785/50.805	54.507/54.520	20.250	1.831	0.040/0.098	AL-LF	60986RA	H1028/5 STD 0.25
MB/HL 3	1	50.785/50.805	54.507/54.520	22.750	1.831	0.040/0.098	AL-LF	60987RA	
TW/A	2	56.610/56.864	69.596/69.850		2.362		AL-LF	60987AFA	A198/2 STD .005
SE/PB	1	21.539/21.641	23.939/23.972	25.100			BS	62039Y	55-4288 SEMI

898	80.00	Petrol			
AR 00548	4 Cyl.	1779cc	83-97kW (113-132)PS	TD18	152
AR 01608	4 Cyl.	1779cc	87-89kW (118-121)PS	TD5340	154
AR 01608 X	4 Cyl.	1779cc	85kW (115)PS	TD33	155
AR 01678	4 Cyl.	1779cc	88-90kW (120-122)PS	TD38	154
AR 06168	4 Cyl.	1779cc	88kW (120)PS	TD54	157
AR 06202	4 Cyl.	1779cc	85-89kW (116-121)PS	TD55	157
AR 61102	4 Cyl.	9:1	88kW (120)PS	TD10149	157

87-528500-00 STD A 33.25 B- 13.35 D 80.10 22x69	08-528500-00 STD 1.50 1.75 3.50 CR P P P	15-632600-00 WH [9] B 85.00 C 152.00 D 98.00 E 107.50 	89-528500-00 87-528500-00 + 15-632600-00

[9] Includes seals [9] Inclut des joints [9] Comprende le guarnizioni [9] Incluye los sellos

BE/PL	4	49.988/49.998	53.695/53.708	23.440	1.838	0.021/0.069	BS	60010CP	71-4168/4 STD 0.25 0.50
MB/HL 1,3,5	3	59.960/59.973	63.657/63.676	25.530	1.837	0.020/0.067	BS	60011CP	H1030/5 STD 0.25 0.50
MB/HL 2,4	2	59.960/59.973	63.657/63.676	18.360	1.837	0.020/0.067	BS	60012CP	
TW/A	4	65.786/66.040	82.423/82.677		2.362		AL-LF	2777AF	A178/4 STD
SE/PB	1	21.994/22.000	25.120/25.146	23.720			BS	60014X	55-4280 SEMI

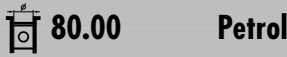
							NA5066 35.00x50.00x10.00mm, ACM			



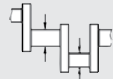
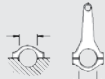






899	80.00	Petrol				
AR 01354	4 Cyl.	1779cc	110kW (150)PS	Turbocharged	TD5343	153
AR 06134	4 Cyl.	1779cc	110kW (150)PS	Turbocharged	TD50	156
AR 06158	4 Cyl.	1779cc	114kW (155)PS	Turbocharged	TD52	156
AR 10548	4 Cyl.	9.5:1	83-90kW (113-122)PS		TD5350	
AR 61202	4 Cyl.	1779cc	87-95kW (118-129)PS		TD5333	158
AR 61203	4 Cyl.	1779cc	110-121kW (150-165)PS	Turbo Intercooled	TD23349	

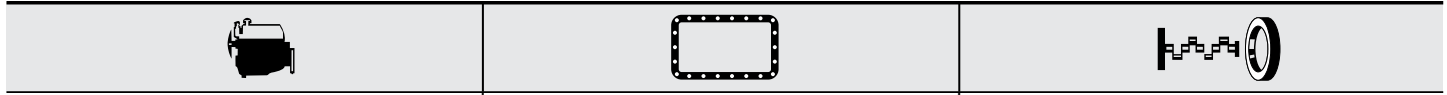
BE/PL	4	49.988/49.998	53.695/53.708	23.440	1.838	0.021/0.069	BS	60010CP	71-4168/4 STD 0.25 0.50
MB/HL 1,3,5	3	59.960/59.973	63.657/63.676	25.530	1.837	0.020/0.067	BS	60011CP	H1030/5 STD 0.25 0.50
MB/HL 2,4	2	59.960/59.973	63.657/63.676	18.360	1.837	0.020/0.067	BS	60012CP	

FIAT GROUP

...Continued

899  **80.00 Petrol**

									
TW/A	4	65.786/66.040	82.423/82.677		2.362		AL-LF	2777AF	A178/4 STD
SE/PB	1	21.994/22.000	25.120/25.146	23.720			BS	60014X	55-4280 SEMI




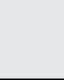
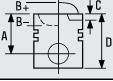

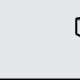
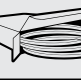

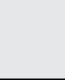

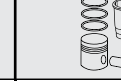

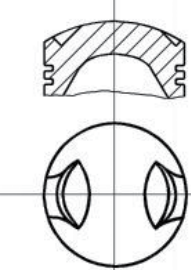
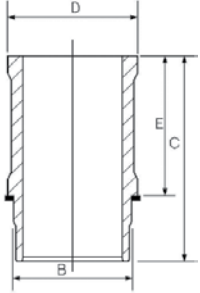
JJ452 (MVQ) **NA5066** 35.00x50.00x10.00mm, ACM





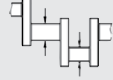
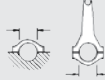






JJ452

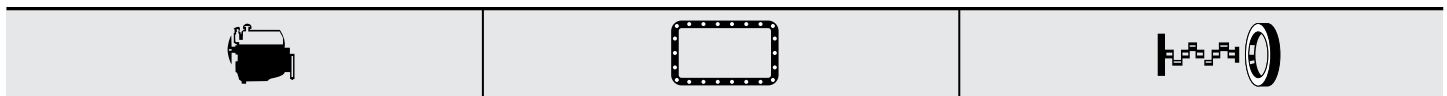
900  **80.00 Petrol**

AR 61201 4 Cyl. 1779cc 90kW (122)PS TD103 158

									
87-528500-00 STD			08-528500-00 STD					15-632600-00 WH [9] B 85.00 C 152.00 D 98.00 E 107.50	89-528500-00 87-528500-00 + 15-632600-00
A 33.25 B- 13.35 D 80.10  22x69			1.50 CR P 1.75 P 3.50 P						

[9] Includes seals [9] Inclut des joints [9] Comprende le guarnizioni [9] Incluye los sellos



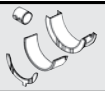

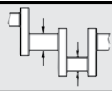
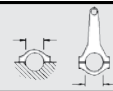






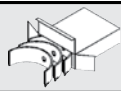
									
BE/PL	4	49.988/49.998	53.695/53.708	23.440	1.838	0.021/0.069	BS	60010CP	71-4168/4 STD 0.25 0.50
MB/HL 1,3,5	3	59.960/59.973	63.657/63.676	25.530	1.837	0.020/0.067	BS	60011CP	H1030/5 STD 0.25 0.50
MB/HL 2,4	2	59.960/59.973	63.657/63.676	18.360	1.837	0.020/0.067	BS	60012CP	
TW/A	4	65.786/66.040	82.423/82.677		2.362		AL-LF	2777AF	A178/4 STD
SE/PB	1	21.994/22.000	25.120/25.146	23.720			BS	60014X	55-4280 SEMI



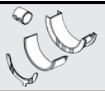

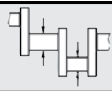
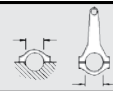






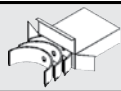








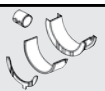

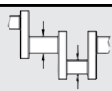
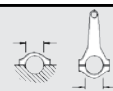



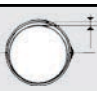

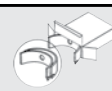
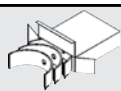
JJ452 (MVQ) **NA5066** 35.00x50.00x10.00mm, ACM



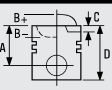
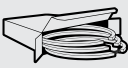


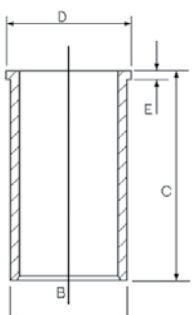

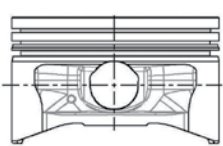





JJ452

901			80.00		Petrol					
AR 16202	6 Cyl.	8:1	1996cc	148kW (202)PS	Turbo Intercooled	TD4189	159			
AR 34102	6 Cyl.	8:1	1996cc	151kW (205)PS	Turbo Intercooled	TD11600	160			
										
BE/PL	6	51.980/52.000	55.511/55.524	19.100	1.749	0.020/0.071	BS	4080CP	71-4218/6 STD 0.25	
MB/HL 1-4	4	59.951/59.971	63.657/63.676	22.350	1.841	0.020/0.068	BS	4081CP	H1082/4 STD 0.25	




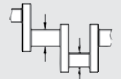
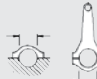





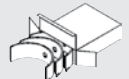


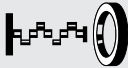

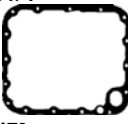
902			80.00		Petrol					
AR 64101	6 Cyl.	8:1	1996cc	150kW (204)PS	Turbocharged	TD5072	161			
AR 64102	6 Cyl.		1996cc	148-150kW (201-204)PS	Turbocharged	TD105	162			
										
BE/PL	6	51.980/52.000	55.511/55.524	19.100	1.749	0.020/0.071	BS	4080CP	71-4218/6 STD 0.25	
MB/HL 1-4	4	59.951/59.971	63.657/63.676	22.350	1.841	0.020/0.068	BS	4081CP	H1082/4 STD 0.25	
										
								NA5104  90.00x110.00x12.00mm, PTFE		



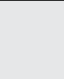
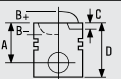

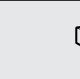
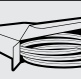




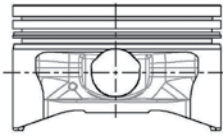
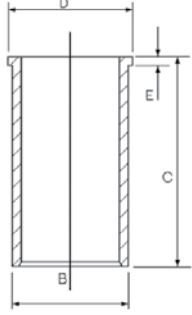


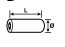



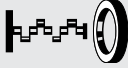
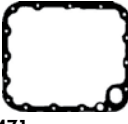
903			80.00		Petrol					
AR 01932	6 Cyl.		1997cc	99kW (135)PS		TD46				
AR 06210	6 Cyl.		1997cc	97kW (132)PS		TD56	163			
										
BE/PL	6	51.980/52.000	55.511/55.524	19.100	1.749	0.020/0.071	BS	4080CP	71-4218/6 STD 0.25	
MB/HL 1-4	4	59.951/59.971	63.657/63.676	22.350	1.841	0.020/0.068	BS	4081CP	H1082/4 STD 0.25	
SE/PB	1	21.994/22.000	25.120/25.146	23.720			BS	60014X	55-4280 SEMI	



904			80.00		Petrol					
126 A2.000	2 Cyl.		704cc	19kW (26)PS		TD4342	164			
126 A2.048	2 Cyl.		704cc	19kW (26)PS		TD4344	164			
										
87-203106-10	0.40mm	08-203100-00	STD	14-028710-00 D						
87-203108-10	0.60mm	08-203104-00	0.20mm	B 86.53	C 125.10	D 95.00	E 7.80			
		08-203106-00	0.40mm							
		08-203108-00	0.60mm							
		08-203110-00	0.80mm							
		08-203111-00	1.00mm							
A 34.00		1.50		CR P						
D 60.00		2.00		P						
 20x54		3.95		P						

FIAT GROUP

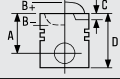
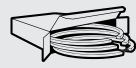
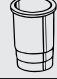

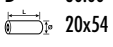



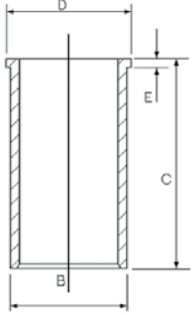
...Continued



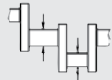
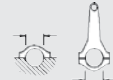





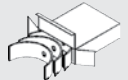
904		 80.00	Petrol							
										
BE/PL	2	44.013/44.033	47.130/47.142	19.200	1.543	0.011/0.068	AL-LF	60005RA	01-4112/2 STD 0.25 0.50	
SE/PB	1	19.507/19.609	22.009/22.034	20.830			BS	60009X	55-4210 SEMI	
										
			JJ471				NA5045  53.00x68.00x10.00mm, ACM			
										
			JJ471							



905		 80.00	Petrol						
170 A.000		2 Cyl.	704cc	23kW (31)PS			TD1028		165
									
87-203106-10	0.40mm		08-203100-00	STD	14-028710-00 D				
87-203108-10	0.60mm		08-203104-00	0.20mm	B 86.53	C 125.10	D 95.00	E 7.80	
			08-203106-00	0.40mm					
			08-203108-00	0.60mm					
			08-203110-00	0.80mm					
		08-203111-00	1.00mm						
A 34.00			1.50		CR P				
D 60.00			2.00		P				
 20x54			3.95		P				
									
		JJ471							
									
		JJ471							

906  **80.00** **Petrol** 

170 A.046 2 Cyl. 704cc 22kW (30)PS TD15809 **165**

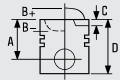
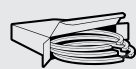
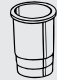



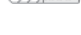
			
87-203106-10 0.40mm 87-203108-10 0.60mm A 34.00 D 60.00  20x54	08-203100-00 STD 08-203104-00 0.20mm 08-203106-00 0.40mm 08-203108-00 0.60mm 08-203110-00 0.80mm 08-203111-00 1.00mm 1.50  CR P 2.00  P 3.95  P	14-028710-00 D B 86.53 C 125.10 D 95.00 E 7.80 	



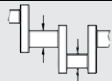
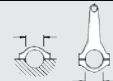





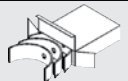
									
BE/PL	2	44.013/44.033	47.130/47.142	19.200	1.543	0.011/0.068	AL-LF	60005RA	01-4112/2 STD 0.25 0.50
SE/PB	1	19.507/19.609	22.009/22.034	20.830			BS	60009X	55-4210 SEMI





907  **80.50** **Petrol** 

146 A2.000 4 Cyl. 8:1 1301cc 77kW (105)PS Turbo Intercooled TD4373 **166**

146 A2.246 4 Cyl. 1301cc 74kW (100)PS Turbocharged TD932 **167**

			
	08-780700-00 STD 1.50  MOL P 2.00  P 3.95  CR P		

									
BE/PL	4	45.498/45.518	48.630/48.646	19.200	1.544	0.020/0.085	BS	1645CP	71-4126/4 STD
MB/HL 1,2,4,5	4	50.780/50.800	54.507/54.520	20.250	1.849	0.020/0.067	AL-LF	1646RA	H1075/5 STD 0.25 0.50
MB/HL 3	1	50.780/50.800	54.507/54.520	22.750	1.849	0.020/0.067	AL-LF	1647RA	
TW/A	2	56.610/56.864	69.596/69.850		2.362		AL-LF	60987AFA	A198/2 STD .005
SE/PB	1	21.539/21.641	23.939/23.972	25.100			BS	62039Y	55-4288 SEMI

		
		NB818  40.00x56.00x7.00mm, ACM

FIAT GROUP

908

 80.50

Petrol



146 A2.146

4 Cyl.

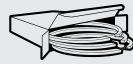
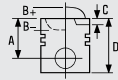
1301cc

73kW (100)PS

Turbocharged

TD938



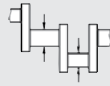
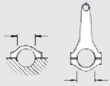





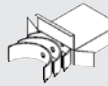
167




08-780700-00

STD

1.50  MOL P
2.00  P
3.95  CR P

									
BE/PL	4	45.498/45.518	48.630/48.646	19.200	1.544	0.020/0.085	BS	1645CP	71-4126/4 STD
MB/HL 1,2,4,5	4	50.780/50.800	54.507/54.520	20.250	1.849	0.020/0.067	AL-LF	1646RA	H1075/5 STD 0.25 0.50
MB/HL 3	1	50.780/50.800	54.507/54.520	22.750	1.849	0.020/0.067	AL-LF	1647RA	
TW/A	2	56.610/56.864	69.596/69.850		2.362		AL-LF	60987AFA	A198/2 STD .005
SE/PB	1	21.539/21.641	23.939/23.972	25.100			BS	62039Y	55-4288 SEMI

909

 80.50

Petrol



146 A8.000

4 Cyl.

7.8:1

1372cc

74-87kW (101-118)PS

Turbocharged

TD18372

168

146 A8.046

4 Cyl.

7.8:1

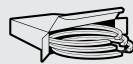
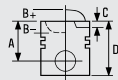
1372cc

82kW (112)PS

Turbocharged

TD944



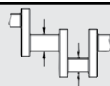
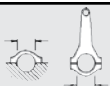




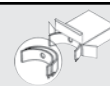
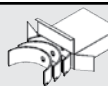
169



08-524900-00

STD

1.50  MOL P
2.00  P
3.00  CR P

									
BE/PL	4	45.508/45.528	48.629/48.646	19.200	1.547	0.020/0.069	AL-LF	1645RA	01-4127/4 STD 0.25 0.50
MB/HL 1,2,4,5	4	50.780/50.800	54.507/54.520	20.250	1.849	0.020/0.067	AL-LF	1646RA	H1075/5 STD 0.25 0.50
MB/HL 3	1	50.780/50.800	54.507/54.520	22.750	1.849	0.020/0.067	AL-LF	1647RA	
TW/A	2	56.610/56.864	69.596/69.850		2.362		AL-LF	60987AFA	A198/2 STD .005
SE/PB	1	21.539/21.641	23.939/23.972	25.100			BS	62039Y	55-4288 SEMI






ET400





JJ453

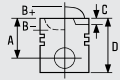
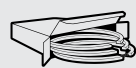
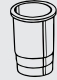









NA5051  40.00x56.00x7.00mm, FPM
NB818  40.00x56.00x7.00mm, ACM
NB808  64.00x80.00x8.00mm, FPM



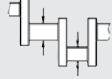
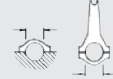











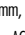

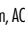

JJ453

910	 80.50	Petrol				
146 C1.000	4 Cyl.	9.2:1	1372cc	51-53kW (69-72)PS	TD18821	170
146 C5.000	4 Cyl.	9.2:1	1372cc	49-52kW (67-71)PS	TD6816	171
146 D5.000	4 Cyl.	9.2:1	1372cc	49kW (67)PS	TD6817	171
178 B2.000	4 Cyl.	9.2:1	1372cc	51kW (69)PS	TD16173	176
178 B2.016	4 Cyl.	9.2:1	1372cc	51kW (69)PS	TD16174	177

			
	<p>08-783600-00 STD</p> <p>08-783606-00 0.40mm</p> <p>08-783608-00 0.60mm</p> <p>08-783610-00 0.80mm</p> <p>08-783611-00 1.00mm</p> <p>1.50  CR P</p> <p>1.75  P</p> <p>3.00  CR [15]</p> <p>08-786700-00 STD</p> <p>01/95→</p> <p>1.20  CR [15]</p> <p>1.50  P</p> <p>3.00  P</p>		

[15] Steel [15] Acier [15] Acciaio [15] Acero

									
BE/PL	4	45.508/45.528	48.629/48.646	19.200	1.547	0.020/0.069	AL-LF	1645RA	01-4127/4 STD 0.25 0.50
MB/HL 1,2,4,5	4	50.780/50.800	54.507/54.520	20.250	1.849	0.020/0.067	AL-LF	1646RA	H1075/5 STD 0.25 0.50
MB/HL 3	1	50.780/50.800	54.507/54.520	22.750	1.849	0.020/0.067	AL-LF	1647RA	
TW/A	2	56.610/56.864	69.596/69.850		2.362		AL-LF	60987AFA	A198/2 STD .005
SE/PB	1	21.539/21.641	23.939/23.972	25.100			BS	62039Y	55-4288 SEMI

		
ET400	JJ453	NA5051  40.00x56.00x7.00mm, FPM
		NB818  40.00x56.00x7.00mm, ACM
	JJ453	NB808  64.00x80.00x8.00mm, FPM

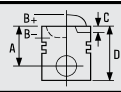
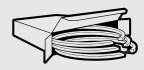
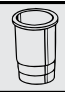
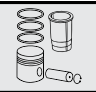
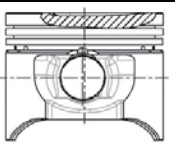



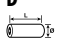
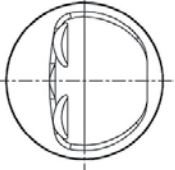



911

 **80.50**



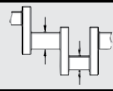
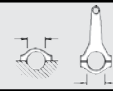




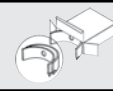
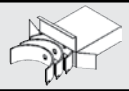
Petrol






159 A2.000	4 Cyl.	9.2:1	1372cc	57kW (78)PS	TD9728	172
160 A1.000	4 Cyl.	9.2:1	1372cc	52-56kW (71-76)PS	TD1015	172

								
87-783600-00 87-783606-00 87-783608-00	STD 0.40mm 0.60mm		08-783600-00 STD 08-783606-00 0.40mm 08-783608-00 0.60mm 08-783610-00 0.80mm 08-783611-00 1.00mm	1.50  CR P 1.75  P 3.00  CR [15]				
A 33.30 B- 2.90 D 65.00  22x58			08-786700-00 STD 01/95→	1.20  CR [15] 1.50  P 3.00  P				



[15] Steel [15] Acier [15] Acciaio [15] Acero

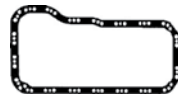
									
BE/PL	4	45.508/45.528	48.629/48.646	19.200	1.547	0.020/0.069	AL-LF	1645RA	01-4127/4 STD 0.25 0.50
MB/HL 1,2,4,5	4	50.780/50.800	54.507/54.520	20.250	1.849	0.020/0.067	AL-LF	1646RA	H1075/5 STD 0.25 0.50
MB/HL 3	1	50.780/50.800	54.507/54.520	22.750	1.849	0.020/0.067	AL-LF	1647RA	
TW/A	2	56.610/56.864	69.596/69.850		2.362		AL-LF	60987AFA	A198/2 STD .005
SE/PB	1	21.539/21.641	23.939/23.972	25.100			BS	62039Y	55-4288 SEMI

		
---	---	---



 **ET400**

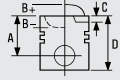
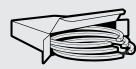
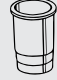
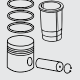
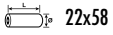
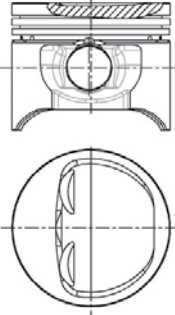






JJ453

NB818  40.00x56.00x7.00mm, ACM
NA5049  64.00x80.00x8.00mm, ACM



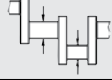
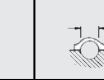




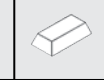





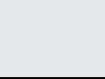

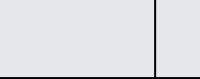
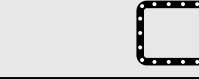
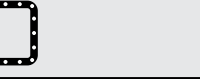
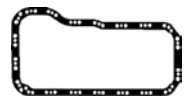



JJ453

912	 80.50	Petrol				
160 A1.046	4 Cyl.	9.2:1	1372cc	49-51kW (67-69)PS	TD1016	173
160 A1.048	4 Cyl.	9.2:1	1372cc	50-52kW (69-71)PS	TD4393	174
836 A4.000	4 Cyl.	9.2:1	1372cc	51kW (69)PS	TD893	172

							
87-783600-00 STD 87-783606-00 0.40mm 87-783608-00 0.60mm A 33.30 B- 2.90 D 65.00  22x58			08-783600-00 STD 08-783606-00 0.40mm 08-783608-00 0.60mm 08-783610-00 0.80mm 08-783611-00 1.00mm 1.50  CR P 1.75  P 3.00  CR [15]				
		08-786700-00 STD 01/95→ 1.20  CR [15] 1.50  P 3.00  P					

[15] Steel [15] Acier [15] Acciaio [15] Acero

											
BE/PL	4	45.508/45.528	48.629/48.646	19.200	1.547	0.020/0.069	AL-LF	1645RA	01-4127/4 STD 0.25 0.50 H1075/5 STD 0.25 0.50 A198/2 STD .005 55-4288 SEMI		
MB/HL 1,2,4,5	4	50.780/50.800	54.507/54.520	20.250	1.849	0.020/0.067	AL-LF	1646RA			
MB/HL 3	1	50.780/50.800	54.507/54.520	22.750	1.849	0.020/0.067	AL-LF	1647RA			
TW/A	2	56.610/56.864	69.596/69.850		2.362		AL-LF	60987AFA			
SE/PB	1	21.539/21.641	23.939/23.972	25.100			BS	62039Y			

				
ET400	JJ453  JJ453	NA5051  40.00x56.00x7.00mm, FPM	NB818  40.00x56.00x7.00mm, ACM	NB808  64.00x80.00x8.00mm, FPM

913	80.50	Petrol	
160 A1.046	4 Cyl.	9.2:1	1372cc
			51kW (69)PS
			TD4599 173

87-783600-00 STD 87-783606-00 0.40mm 87-783608-00 0.60mm A 33.30 B- 2.90 D 65.00 22x58	08-783600-00 STD 08-783606-00 0.40mm 08-783608-00 0.60mm 08-783610-00 0.80mm 08-783611-00 1.00mm 1.50 CR P 1.75 P 3.00 CR [15]	08-786700-00 STD 1.20 CR [15] 1.50 P 3.00 P	

[15] Steel [15] Acier [15] Acciaio [15] Acero

BE/PL	4	45.508/45.528	48.629/48.646	19.200	1.547	0.020/0.069	AL-LF	1645RA	01-4127/4 STD 0.25 0.50
MB/HL 1,2,4,5	4	50.780/50.800	54.507/54.520	20.250	1.849	0.020/0.067	AL-LF	1646RA	H1075/5 STD 0.25 0.50
MB/HL 3	1	50.780/50.800	54.507/54.520	22.750	1.849	0.020/0.067	AL-LF	1647RA	
TW/A	2	56.610/56.864	69.596/69.850		2.362		AL-LF	60987AFA	A198/2 STD .005
SE/PB	1	21.539/21.641	23.939/23.972	25.100			BS	62039Y	55-4288 SEMI



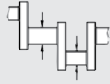
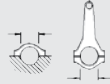






ET400	JJ453 JJ453	NB818 40.00x56.00x7.00mm, ACM NA5049 64.00x80.00x8.00mm, ACM

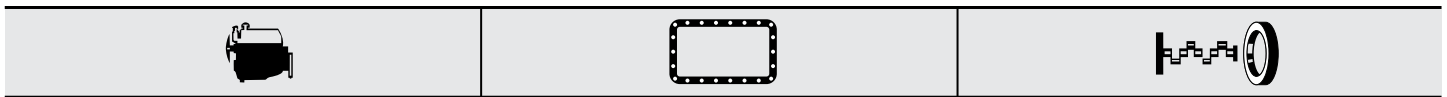
914	80.50	Petrol	
176 A4.000	4 Cyl.	7.8:1	1372cc
			96-98kW (131-136)PS
			Turbo Intercooled
			TD1034 175
176 B6.000	4 Cyl.	7.8:1	1372cc
			96kW (131)PS
			Turbo Intercooled
			TD5492 175

	08-524900-00 STD 1.50 MOL P 2.00 P 3.00 CR P		

...Continued


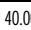
914  **80.50 Petrol**

									
BE/PL	4	45.508/45.528	48.629/48.646	19.200	1.547	0.020/0.069	AL-LF	1645RA	01-4127/4 STD 0.25 0.50
MB/HL 1,2,4,5	4	50.780/50.800	54.507/54.520	20.250	1.849	0.020/0.067	AL-LF	1646RA	H1075/5 STD 0.25 0.50
MB/HL 3	1	50.780/50.800	54.507/54.520	22.750	1.849	0.020/0.067	AL-LF	1647RA	
TW/A	2	56.610/56.864	69.596/69.850		2.362		AL-LF	60987AFA	A198/2 STD .005
SE/PB	1	21.539/21.641	23.939/23.972	25.100			BS	62039Y	55-4288 SEMI



 **ET400**

JJ453

NB818  40.00x56.00x7.00mm, ACM
NF887  [19] 64.00x112.50x20.00mm, FPM





JJ453

[19] Specification: Oil Seal in housing

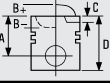
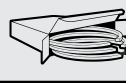
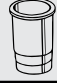

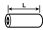






[19] Caractéristiques: Bague d'étanchéité dans son logement

[19] Specifiche: Paraoolio in sede

[19] Especificaciones: Retén de aceite de la carcasa

915  **80.50 Petrol** 

836 A4.000 4 Cyl. 9.2:1 1372cc **51kW (69)PS** **TD14568 178**



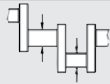
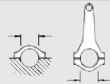






			
<p>87-783600-00 STD</p> <p>87-783606-00 0.40mm</p> <p>87-783608-00 0.60mm</p> <p>A 33.30</p> <p>B- 2.90</p> <p>D 65.00</p> <p> 22x58</p>	<p>08-783600-00 STD</p> <p>08-783606-00 0.40mm</p> <p>08-783608-00 0.60mm</p> <p>08-783610-00 0.80mm</p> <p>08-783611-00 1.00mm</p> <p>1.50  CR P</p> <p>1.75  P</p> <p>3.00  CR [15]</p> <p>08-786700-00 STD</p> <p>1.20  CR [15]</p> <p>1.50  P</p> <p>3.00  P</p>		

[15] Steel

[15] Acier


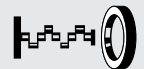


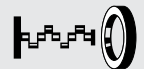



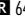

[15] Acciaio



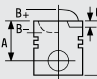

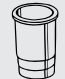
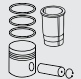
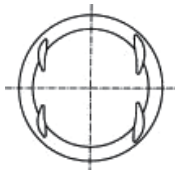



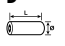
[15] Acero



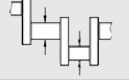
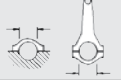





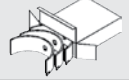
									
BE/PL	4	45.508/45.528	48.629/48.646	19.200	1.547	0.020/0.069	AL-LF	1645RA	01-4127/4 STD 0.25 0.50
MB/HL 1,2,4,5	4	50.780/50.800	54.507/54.520	20.250	1.849	0.020/0.067	AL-LF	1646RA	H1075/5 STD 0.25 0.50
MB/HL 3	1	50.780/50.800	54.507/54.520	22.750	1.849	0.020/0.067	AL-LF	1647RA	
TW/A	2	56.610/56.864	69.596/69.850		2.362		AL-LF	60987AFA	A198/2 STD .005



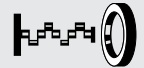




FIAT GROUP








...Continued



915	 80.50	Petrol								
SE/PB	1	21.539/21.641	23.939/23.972	25.100				BS	62039Y	55-4288 SEMI
										
 ET400	JJ453		NA5051  40.00x56.00x7.00mm, FPM NB818  40.00x56.00x7.00mm, ACM NB808  64.00x80.00x8.00mm, FPM							
										
	JJ453									

916	 80.50	Petrol							
182 B6.000	4 Cyl.	10.1:1	1596cc	76kW (103)PS			TD15632	180	
182 B6.000	4 Cyl.	10.5:1	1596cc	68-100kW (92-136)PS			TD16166	181	
									
87-124800-00	STD			08-124800-00		STD			
87-124806-00	0.40mm			08-124806-00		0.40mm			
87-124808-00				08-124808-00		0.60mm			
A 28.65				1.20 		NT P			
B- 1.20				1.20 		P			
BØ 62.00				2.00 		P			
C 2.49									
C 1.98									
D 50.65									
 21x56									

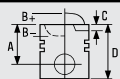
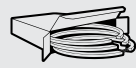





									
BE/PL	4	45.508/45.528	48.629/48.646	19.200	1.547	0.020/0.069	AL-LF	1645RA	01-4127/4 STD 0.25 0.50
MB/HL 1,2,4,5	4	50.780/50.800	54.507/54.520	20.250	1.849	0.020/0.067	AL-LF	1646RA	H1075/5 STD 0.25 0.50
MB/HL 3	1	50.780/50.800	54.507/54.520	22.750	1.849	0.020/0.067	AL-LF	1647RA	
TW/A	2	56.610/56.864	69.596/69.850		2.362		AL-LF	60987AFA	A198/2 STD .005
SE/PB	1	21.539/21.641	23.939/23.972	25.100			BS	62039Y	55-4288 SEMI

								
 EB5150	HR397		NA5051  40.00x56.00x7.00mm, FPM NB818  40.00x56.00x7.00mm, ACM NF887  [19] 64.00x112.50x20.00mm, FPM					
[19] Specification: Oil Seal in housing	[19] Caractéristiques: Bague d'étanchéité dans son logement		[19] Specifiche: Paraolio in sede			[19] Especificaciones: Retén de aceite de la carcasa		


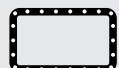



917	 80.50	Petrol							
939 A4.000	4 Cyl.	1796cc	96-103kW (131-140)PS			TD20262	182		
									
 EH5240	HR397		NA5174  31.50x42.00x7.00mm, FPM						

918  **80.50 Petrol** 

939 A4.000 4 Cyl. 1796cc 96-103kW (131-140)PS TD20270 182



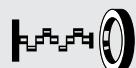

			
	08-141200-00 STD 08-141207-00 0.50mm 1.20  NT [15] 1.20  P 2.00  CR [15]		

[15] Steel [15] Acier [15] Acciaio [15] Acero

		
 EH5240	HR397	NA5174  31.50x42.00x7.00mm, FPM



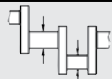
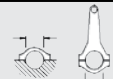






919  **80.50 Petrol** 

93313090-7U	4 Cyl.	10.5:1	1796cc	78-84kW (106-114)PS	TD24992	183
93313090-H2	4 Cyl.	10.5:1	1796cc	83-85kW (113-116)PS	TD25004	183
93337154-J1	4 Cyl.	10.5:1	1796cc	82-84kW (112-112)PS	TD25021	183
J2	4 Cyl.	10.5:1	1796cc	83-85kW (113-115)PS	TD25017	183
PN93327668	4 Cyl.	9.4:1	1796cc	76-77kW (103-105)PS	TD24998	183
PN93327669	4 Cyl.	9.8:1	1796cc	90kW (122)PS	TD25025	183
Y2	4 Cyl.	10.5:1	1796cc	83-85kW (113-115)PS	TD25019	183

		
		NB698  80.00x98.00x10.00mm, FPM



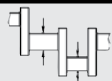







920  **80.50 Petrol** 



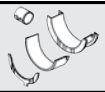

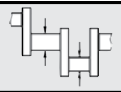
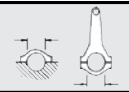


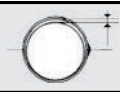

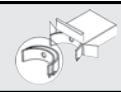
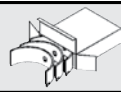




199 B6.000 Euro 6	2 Cyl.	10.1:1	875cc	74-77kW (101-105)PS	Turbo Intercooled	TD26735
199 B6.000 Euro 6	2 Cyl.	10.1:1	875cc	74-77kW (101-105)PS	Turbo Intercooled	TD27856



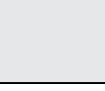
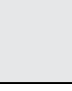
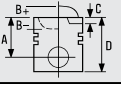
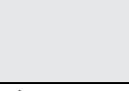
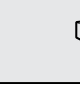
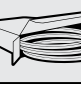

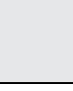

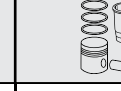




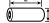
									
SE/PB	1		23.939/23.972	22.070			BS-LF	55-4970	55-4970 SEMI


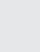
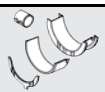

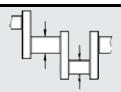
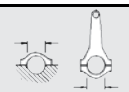


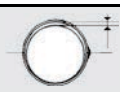

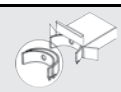
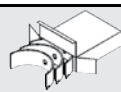

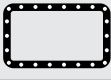


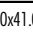
921  **80.50 Petrol** 

312 A2.000 Euro 5	2 Cyl.	10:1	875cc	63kW (86)PS	Turbo Intercooled	TD26187
-------------------	--------	------	-------	-------------	-------------------	---------

									
TW/A	2	53.100/53.300	68.766/69.020		2.335	0.105/0.275	AL-LF	04-4969	A321/2 STD
SE/PB	1		23.939/23.972	22.070			BS-LF	55-4970	55-4970 SEMI

922		 80.50	Petrol								
312 A2.000 Euro 5	2 Cyl.	10.2:1	875cc	57-63kW (77-86)PS	Turbo Intercooled	TD24763					
312 A2.000 Euro 5	2 Cyl.	10:1	875cc	59-63kW (80-86)PS	Turbo Intercooled	TD25191					
											
TW/A	2	53.100/53.300	68.766/69.020		2.335	0.105/0.275	AL-LF	04-4969	A321/2 STD		
SE/PB	1		23.939/23.972	22.070			BS-LF	55-4970	55-4970 SEMI		
											
							NA5070  31.00x41.00x7.00mm, FPM				

923		 82.00	Petrol							
182 A3.000	4 Cyl.	9.8:1	1370cc	59kW (80)PS	TD4399	184				
182 A5.000	4 Cyl.	9.8:1	1370cc	55kW (75)PS	TD4401	185				
840 A2.000	4 Cyl.	9.85:1	1370cc	55-59kW (75-80)PS	TD1858	186				
840 A4.000	4 Cyl.	9.85:1	1370cc	55kW (75)PS	TD4596	186				
										
87-787000-30	STD		08-787000-00	STD						
87-787006-30	0.40mm		08-787006-00	0.40mm						
A 34.11			1.50		CR P					
B- 5.10			1.50		P					
D 58.11			3.00		CR [15]					
 20x52										
[15] Steel	[15] Acier	[15] Acciaio	[15] Acero							

923		 82.00	Petrol								
											
BE/PL	4	40.870/40.890	44.000/44.012	19.100	1.543	0.024/0.081	AL-LF	4400RA	01-4160/4 STD 0.25		
MB/HL 1,2,4,5	4	52.982/53.000	56.705/56.718	20.750	1.843	0.019/0.075	AL-LF	4351RA	H1096/5 STD 0.25 0.50		
MB/HL 3	1	52.982/53.000	56.705/56.718	20.750	1.838	0.029/0.085	AL-LF	4352RA			
TW/A	2	58.808/59.062	73.486/73.740		2.485		AL-LF	4351AF	A190/2 STD		
SE/PB	1	19.993/20.000	22.939/22.972	21.700			BS	4359Y	55-4540 SEMI		
											
			HR397				NA5070  31.00x41.00x7.00mm, FPM NF888  93.00x172.00x12.00mm, FPM				

924	82.00	Petrol	
AR 33503	4 Cyl.	10.5:1	1370cc 76kW (103)PS TD9752 187
AR 38501	4 Cyl.		1370cc 76kW (103)PS TD9753 187

87-787000-10 STD 87-787006-10 0.40mm A 34.46 B+ 4.90 D 63.36 20x52	08-787000-00 STD 08-787006-00 0.40mm 1.50 CR P 1.50 P 3.00 CR [15]		
[15] Steel	[15] Acier	[15] Acciaio	[15] Acero

BE/PL	4	40.870/40.890	44.000/44.012	19.100	1.543	0.024/0.081	AL-LF	4400RA	01-4160/4 STD 0.25
BE/PL	4	40.870/40.890	44.000/44.012	19.100	1.543		EC	71-3996	71-3996/4 STD
02/00 →									
MB/HL 1,2,4,5	4	52.982/53.000	56.705/56.718	20.750	1.843	0.019/0.075	AL-LF	4351RA	H1096/5 STD 0.25 0.50
MB/HL 3	1	52.982/53.000	56.705/56.718	20.750	1.838	0.029/0.085	AL-LF	4352RA	
TW/A	2	58.808/59.062	73.486/73.740		2.485		AL-LF	4351AF	A190/2 STD
SE/PB	1	19.993/20.000	22.939/22.972	21.700			BS	4359Y	55-4540 SEMI

HR397		NA5070 31.00x41.00x7.00mm, FPM NF888 93.00x172.00x12.00mm, FPM

925	82.00	Petrol	
AR 32101	4 Cyl.	10.5:1	1598cc 88kW (120)PS TD9461 188

BE/PL	4	40.870/40.890	44.000/44.012	19.100	1.543		EC	71-3996	71-3996/4 STD
02/00 →									
BE/PL	4	48.226/48.244	51.354/51.366	19.100	1.543	0.020/0.080	BS	4355CP	71-4158/4 STD 0.25
MB/HL 1,2,4,5	4	52.982/53.000	56.705/56.718	20.750	1.843	0.019/0.075	AL-LF	4351RA	H1096/5 STD 0.25 0.50
MB/HL 3	1	52.982/53.000	56.705/56.718	20.750	1.838	0.029/0.085	AL-LF	4352RA	
TW/A	2	58.808/59.062	73.486/73.740		2.485		AL-LF	4351AF	A190/2 STD
SE/PB	1	19.993/20.000	22.939/22.972	21.700			BS	4359Y	55-4540 SEMI

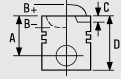

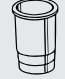

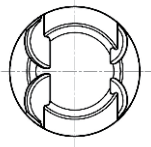






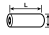
926



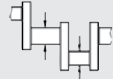






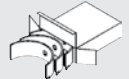
 **82.00**

Petrol






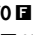

AR 32102	4 Cyl.	1598cc	82-88kW (112-120)PS	TD14369	189
AR 38201	4 Cyl.	1598cc	88kW (120)PS	TD9754	192
AR 67601	4 Cyl.	10.3:1 1598cc	88kW (120)PS	TD19	193

							
87-118000-10	STD		08-118000-00	STD			
87-118006-10	0.40mm		08-118006-00	0.40mm			
			08-118008-00	0.60mm			
A	32.90		1.19	 NT			
B+	1.80		1.20	 P			
C	1.90		2.00	 P			
D	56.70						
	20x52						

									
BE/PL	4	40.870/40.890	44.000/44.012	19.100	1.543		EC	71-3996	71-3996/4 STD

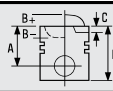
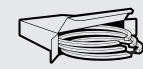
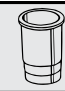
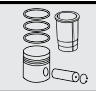
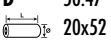
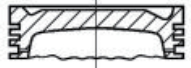
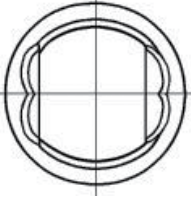






02/00 →

BE/PL	4	48.226/48.244	51.354/51.366	19.100	1.543	0.020/0.080	BS	4355CP	71-4158/4 STD 0.25
MB/HL 1,2,4,5	4	52.982/53.000	56.705/56.718	20.750	1.843	0.019/0.075	AL-LF	4351RA	H1096/5 STD 0.25 0.50
MB/HL 3	1	52.982/53.000	56.705/56.718	20.750	1.838	0.029/0.085	AL-LF	4352RA	
TW/A	2	58.808/59.062	73.486/73.740		2.485		AL-LF	4351AF	A190/2 STD
SE/PB	1	19.993/20.000	22.939/22.972	21.700			BS	4359Y	55-4540 SEMI

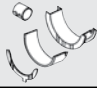
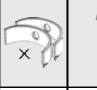
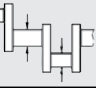

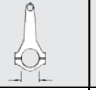


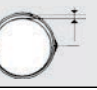
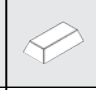
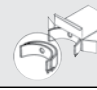
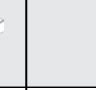
		
	HR397	NA5070  31.00x41.00x7.00mm, FPM NF888  93.00x172.00x12.00mm, FPM






927  **82.00** **Petrol** 

AR 32103 D4	4 Cyl.	1598cc	88kW (120)PS	TD15389	190
AR 32104	4 Cyl.	1598cc	88kW (120)PS	TD15388	190

			
87-145400-30 STD 87-145406-30 0.40mm	08-145400-00 STD 08-145406-00 0.40mm		
A 28.47 B+ 0.20 C 1.88 D 50.47  20x52	 	1.20  NT [15] 1.20  P 2.00  08-118000-00 STD 08-118006-00 0.40mm 08-118008-00 0.60mm 1.19  NT 1.20  P 2.00  P	

[15] Steel [15] Acier [15] Acciaio [15] Acero

										
BE/PL	4	40.870/40.890	44.000/44.012	19.100	1.543		EC	71-3996	71-3996/4 STD	
02/00 →										
BE/PL	4	48.226/48.244	51.354/51.366	19.100	1.543	0.020/0.080	BS	4355CP	71-4158/4 STD 0.25	
MB/HL 1,2,4,5	4	52.982/53.000	56.705/56.718	20.750	1.843	0.019/0.075	AL-LF	4351RA	H1096/5 STD 0.25 0.50	
MB/HL 3	1	52.982/53.000	56.705/56.718	20.750	1.838	0.029/0.085	AL-LF	4352RA		
TW/A	2	58.808/59.062	73.486/73.740		2.485		AL-LF	4351AF	A190/2 STD	
SE/PB	1	19.993/20.000	22.939/22.972	21.700			BS	4359Y	55-4540 SEMI	

		
EA5420	HR397	NA5070  31.00x41.00x7.00mm, FPM NF888  93.00x172.00x12.00mm, FPM

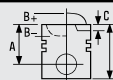



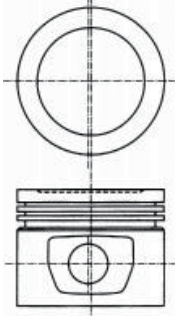
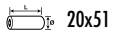






928

 **82.00**


Petrol




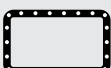
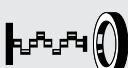
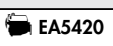

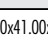
AR 37203 4 Cyl. 1598cc **76kW (103)PS** **TD15508** **191**



			
<p>87-145400-00 STD 87-145406-00 0.40mm</p>  <p>A 28.47 B- 0.30 D 50.47  20x51</p>	<p>08-145400-00 STD 08-145406-00 0.40mm</p> <p>1.20  NT [15] 1.20  P 2.00 </p> <hr/> <p>08-118000-00 STD 08-118006-00 0.40mm 08-118008-00 0.60mm</p> <p>1.19  NT 1.20  P 2.00  P</p>		

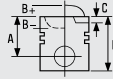

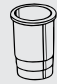

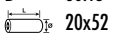
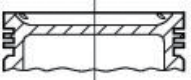
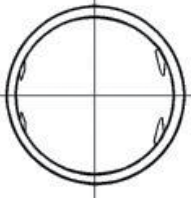



[15] Steel [15] Acier [15] Acciaio [15] Acero



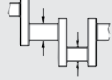
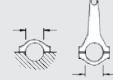





									
--	---	---	---	---	---	---	--	---	---






BE/PL	4	40.870/40.890	44.000/44.012	19.100	1.543		EC	71-3996	71-3996/4 STD
02/00 →									
BE/PL	4	48.226/48.244	51.354/51.366	19.100	1.543	0.020/0.080	BS	4355CP	71-4158/4 STD 0.25
MB/HL 1,2,4,5	4	52.982/53.000	56.705/56.718	20.750	1.843	0.019/0.075	AL-LF	4351RA	H1096/5 STD 0.25 0.50
MB/HL 3	1	52.982/53.000	56.705/56.718	20.750	1.838	0.029/0.085	AL-LF	4352RA	
TW/A	2	58.808/59.062	73.486/73.740		2.485		AL-LF	4351AF	A190/2 STD
SE/PB	1	19.993/20.000	22.939/22.972	21.700			BS	4359Y	55-4540 SEMI



		
<p> EA5420</p>	<p>HR397</p>	<p>NA5070  31.00x41.00x7.00mm, FPM NF888  93.00x172.00x12.00mm, FPM</p>

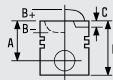

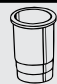

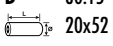
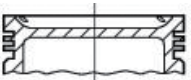
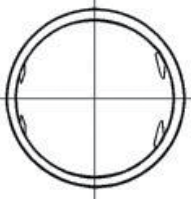



929		82.00	Petrol			
182 A2.000	4 Cyl.	10.3:1	1747cc	83kW (113)PS	TD4398	194
182 A2.000	4 Cyl.	10:1	1747cc	83kW (113)PS	TD9473	195
183 A1.000	4 Cyl.	10.3:1	1747cc	92-97kW (125-132)PS	TD4405	197
839 A4.000	4 Cyl.		1747cc	96kW (131)PS	TD14468	200

			
87-118000-00 87-118006-00 STD 0.40mm A 36.15 B- 0.50 D 60.15  20x52	  08-118000-00 STD 08-118006-00 0.40mm 08-118008-00 0.60mm 1.19  NT 1.20  P 2.00  P		

									
BE/PL	4	50.787/50.807	53.901/53.913	19.500	1.534	0.028/0.083	BS	4350CP	71-4157/4 STD 0.25 0.50
MB/HL 1,2,4,5	4	52.982/53.000	56.705/56.718	20.750	1.843	0.019/0.075	AL-LF	4351RA	H1096/5 STD 0.25 0.50
MB/HL 3	1	52.982/53.000	56.705/56.718	20.750	1.838	0.029/0.085	AL-LF	4352RA	
TW/A	2	58.808/59.062	73.486/73.740		2.485		AL-LF	4351AF	A190/2 STD
SE/PB	1	19.993/20.000	22.939/22.972	21.700			BS	4359Y	55-4540 SEMI




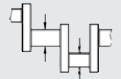
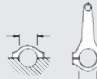





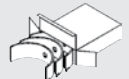


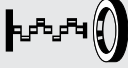
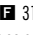
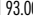
		
HR397	NA5070  31.00x41.00x7.00mm, FPM NF888  93.00x172.00x12.00mm, FPM	


930		82.00	Petrol			
183 A1.000	4 Cyl.	10.3:1	1747cc	96kW (131)PS	TD9474	196

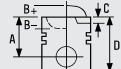
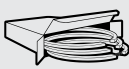

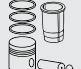



			
87-118000-00 87-118006-00 STD 0.40mm A 36.15 B- 0.50 D 60.15  20x52	  08-118000-00 STD 08-118006-00 0.40mm 08-118008-00 0.60mm 1.19  NT 1.20  P 2.00  P		

FIAT GROUP





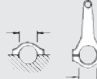





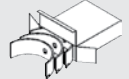



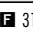
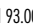
...Continued





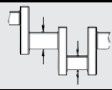

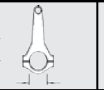



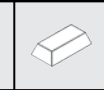




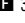
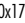
930		 82.00	Petrol							
										
BE/PL	4	50.787/50.807	53.901/53.913	19.500	1.534	0.028/0.083	BS	4350CP	71-4157/4 STD 0.25 0.50	
MB/HL 1,2,4,5	4	52.982/53.000	56.705/56.718	20.750	1.843	0.019/0.075	AL-LF	4351RA	H1096/5 STD 0.25 0.50	
MB/HL 3	1	52.982/53.000	56.705/56.718	20.750	1.838	0.029/0.085	AL-LF	4352RA		
TW/A	2	58.808/59.062	73.486/73.740		2.485		AL-LF	4351AF	A190/2 STD	
SE/PB	1	19.993/20.000	22.939/22.972	21.700			BS	4359Y	55-4540 SEMI	
										
EA5420			HR397				NA5070  31.00x41.00x7.00mm, FPM NF888  93.00x172.00x12.00mm, FPM			



931		 82.00	Petrol						
188 A6.000	4 Cyl.	10.3:1	1747cc	96kW (130)PS			TD16408	198	
192 A4.000	4 Cyl.	10.3:1	1747cc	96-98kW (130-133)PS			TD16395	199	
839 A7.000	4 Cyl.	10.3:1	1747cc	96kW (131)PS			TD15633	201	

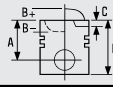
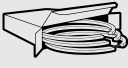


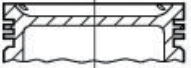
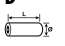
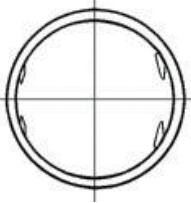







			
	08-145400-00 STD 08-145406-00 0.40mm 1.20  NT [15] 1.20  P 2.00 		

[15] Steel [15] Acier [15] Acciaio [15] Acero



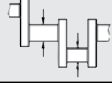

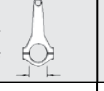



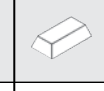

931		 82.00	Petrol							
										
BE/PL	4	50.787/50.807	53.901/53.913	19.500	1.534	0.028/0.083	BS	4350CP	71-4157/4 STD 0.25 0.50	
MB/HL 1,2,4,5	4	52.982/53.000	56.705/56.718	20.750	1.843	0.019/0.075	AL-LF	4351RA	H1096/5 STD 0.25 0.50	
MB/HL 3	1	52.982/53.000	56.705/56.718	20.750	1.838	0.029/0.085	AL-LF	4352RA		
TW/A	2	58.808/59.062	73.486/73.740		2.485		AL-LF	4351AF	A190/2 STD	
SE/PB	1	19.993/20.000	22.939/22.972	21.700			BS	4359Y	55-4540 SEMI	
										
EA5420			HR397				NA5070  31.00x41.00x7.00mm, FPM NF888  93.00x172.00x12.00mm, FPM			

932	 82.00	Petrol								
839 A9.000	4 Cyl.	10.3:1	1747cc	96kW (131)PS			TD17508	202		
										
BE/PL	4	50.787/50.807	53.901/53.913	19.500	1.534	0.028/0.083	BS	4350CP	71-4157/4 STD 0.25 0.50	
MB/HL 1,2,4,5	4	52.982/53.000	56.705/56.718	20.750	1.843	0.019/0.075	AL-LF	4351RA	H1096/5 STD 0.25 0.50	
MB/HL 3	1	52.982/53.000	56.705/56.718	20.750	1.838	0.029/0.085	AL-LF	4352RA		
TW/A	2	58.808/59.062	73.486/73.740		2.485		AL-LF	4351AF	A190/2 STD	
SE/PB	1	19.993/20.000	22.939/22.972	21.700			BS	4359Y	55-4540 SEMI	
										
EA5420	HR397		NA5070  31.00x41.00x7.00mm, FPM NF888  93.00x172.00x12.00mm, FPM							

933	 82.00	Petrol								
AR 32201	4 Cyl.	10.3:1	1747cc	106kW (144)PS			TD9462	203		
AR 32205	4 Cyl.		1747cc	103kW (140)PS			TD15390	204		
AR 38401	4 Cyl.	10.3:1	1747cc	103kW (140)PS			TD9755	205		
AR 67106	4 Cyl.	10.3:1	1747cc	103kW (140)PS			TD5070	206		

			
87-118000-00 87-118006-00	STD 0.40mm		08-118000-00 STD 08-118006-00 0.40mm 08-118008-00 0.60mm
A 36.15 B- 0.50 D 60.15  20x52		1.19  NT 1.20  P 2.00  P	
		08-145400-00 STD 08-145406-00 0.40mm	
		1.20  NT [15] 1.20  P 2.00  P	



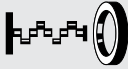
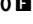

[15] Steel [15] Acier [15] Acciaio [15] Acero

									
BE/PL	4	50.787/50.807	53.901/53.913	19.500	1.534	0.028/0.083	BS	4350CP	71-4157/4 STD 0.25 0.50
MB/HL 1,2,4,5	4	52.982/53.000	56.705/56.718	20.750	1.843	0.019/0.075	AL-LF	4351RA	H1096/5 STD 0.25 0.50
MB/HL 3	1	52.982/53.000	56.705/56.718	20.750	1.838	0.029/0.085	AL-LF	4352RA	
TW/A	2	58.808/59.062	73.486/73.740		2.485		AL-LF	4351AF	A190/2 STD
SE/PB	1	19.993/20.000	22.939/22.972	21.700			BS	4359Y	55-4540 SEMI

FIAT GROUP



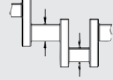





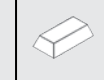



...Continued

933 82.00 Petrol

		
EA5420	HR397	NA5070  31.00x41.00x7.00mm, FPM NF888  93.00x172.00x12.00mm, FPM

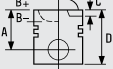
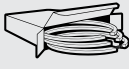
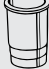

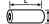
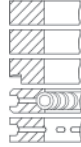
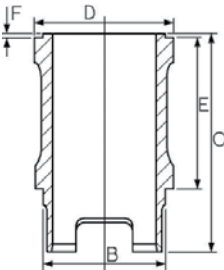
934 82.00 Petrol

AR 67199 4 Cyl. 10.3:1 1747cc 103kW (140)PS TD23350 207

											
BE/PL	4	50.787/50.807	53.901/53.913	19.500	1.534	0.028/0.083	BS	4350CP	71-4157/4 STD 0.25 0.50		
MB/HL 1,2,4,5	4	52.982/53.000	56.705/56.718	20.750	1.843	0.019/0.075	AL-LF	4351RA	H1096/5 STD 0.25 0.50		
MB/HL 3	1	52.982/53.000	56.705/56.718	20.750	1.838	0.029/0.085	AL-LF	4352RA			
TW/A	2	58.808/59.062	73.486/73.740		2.485		AL-LF	4351AF	A190/2 STD		
SE/PB	1	19.993/20.000	22.939/22.972	21.700			BS	4359Y	55-4540 SEMI		

935 82.00 Diesel

605 D 4 Cyl. 20:1 1901cc 40kW (54)PS FM19243

			
[12] A 47.00 B- 3.80 D 100.00  26x72	[14] 3.00 3.00 3.00 5.50 5.00  CR	WH [10] B 89.00 C 164.80 D 95.00 E 99.60 F 0.80 	88-530300-00

[10] Liner available in Kit Set only

[12] Piston available in Kit Set only

[14] Ringset available in Kitset only

[10] Chemise disponible en kit seulement

[12] Chemise disponible en kit seulement

[14] Jeux de segments disponible en kit seulement.

[10] Cilindro disponibile solo in kit motore



[12] I pistoni sono disponibili solo in kit motore

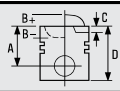
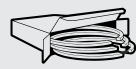
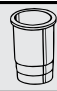

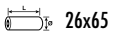



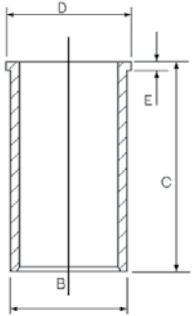
[14] I set anelli piston sono disponibili solo in kit motore



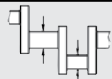
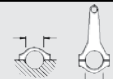





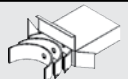
[10] Camisas disponible en conjuntos solamente.






[12] Pistón disponible en conjuntos solamente.



[14] Juegos de segmentos disponible en conjuntos solamente.

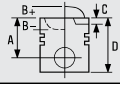
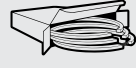
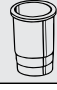
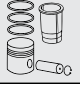
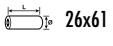



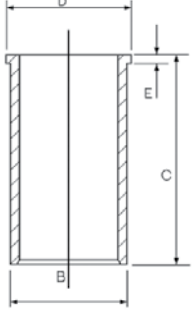
936	 82.00	Diesel					
182 A7.000	4 Cyl.	20.7:1	1910cc	74kW (100)PS	Turbo Intercooled	TD4403	208
182 A8.000	4 Cyl.	20.7:1	1910cc	55kW (75)PS	Turbo Intercooled	TD4404	209




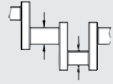
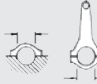





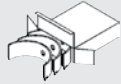





			
87-523100-00 87-523108-00 STD 0.60mm A 45.20 B- 2.15 D 71.15  26x65 AK RT	08-523100-00 STD 08-523108-00 0.60mm 3.00  CK P 2.00  P 3.00  CR P	14-021051-00 D B 85.57 C 155.00 D 88.53 E 4.00 14-028960-00 D B 85.00 C 155.00 D 88.00 E 4.50 	





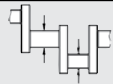
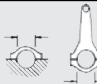





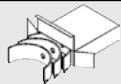





									
BE/PL	4	50.787/50.807	53.901/53.913	19.500	1.534	0.028/0.083	BS	4350CP	71-4157/4 STD 0.25 0.50
MB/HL 1,2,4,5	4	52.982/53.000	56.705/56.718	20.750	1.843	0.019/0.075	AL-LF	4351RA	H1096/5 STD 0.25 0.50
MB/HL 3	1	52.982/53.000	56.705/56.718	20.750	1.838	0.029/0.085	AL-LF	4352RA	
TW/A	2	58.808/59.062	73.486/73.740		2.485		AL-LF	4351AF	A190/2 STD
SE/PB	1		28.939/28.972	21.700			BS	4369Y	55-4159 SEMI



		
	HR397	NA5070  31.00x41.00x7.00mm, FPM NF888  93.00x172.00x12.00mm, FPM

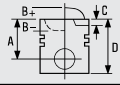
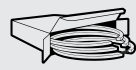
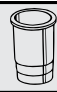

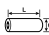



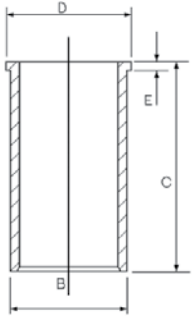
937	 82.00	Diesel					
182 B4.000	4 Cyl.	18.45:1	1910cc	77-79kW (105-107)PS	Turbo Intercooled	TD11168	210
AR 32302	4 Cyl.	18.5:1	1910cc	77kW (105)PS	Turbocharged	TD17398	254
AR 32302	4 Cyl.	18.5:1	1910cc	77kW (105)PS	Turbocharged	TD9769	253



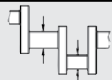
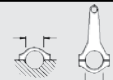





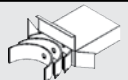
			
87-108000-00 87-108008-00 STD 0.60mm A 47.25 B- 17.50 BØ 37.45 D 73.25  26x61 AK NB RT	08-108000-00 STD 08-108008-00 0.60mm 3.00  CK P 2.00  P 3.00  CR P	14-021051-00 D B 85.57 C 155.00 D 88.53 E 4.00 14-028960-00 D B 85.00 C 155.00 D 88.00 E 4.50 	


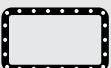



937		 82.00	Diesel								
										[22]	
BE/PL	1	50.787/50.805	53.901/53.913	19.500	1.534	0.030/0.080	EC	71-3994	71-3994 STD 0.25		
MB/HL 1-5	5	59.986/60.000	63.705/63.718	20.750	1.844	0.031/0.075	BS	4356CP	H1095/5 STD 0.25 0.50		
TW/A	2	67.785/68.040	82.425/82.677		2.485		AL-LF	4356AF	A191/2 STD		
SE/PB	1		28.939/28.972	21.700			BS	4369Y	55-4159 SEMI		
											
			HR397				NA5070  31.00x41.00x7.00mm, FPM NF888  93.00x172.00x12.00mm, FPM				



938		 82.00	Diesel								
182 B9.000 Euro 3 (D3)		4 Cyl.	18.45:1	1910cc	74-77kW (101-105)PS		Turbo Intercooled		TD18312	212	
223 B1.000		4 Cyl.	18.5:1	1910cc	77kW (105)PS		Turbo Intercooled		TD20245	232	
223 B2.000		4 Cyl.	18.5:1	1910cc	74kW (100)PS		Turbo Intercooled		TD20246	233	
										[22]	
BE/PL	1	50.787/50.805	53.901/53.913	19.500	1.534	0.030/0.080	EC	71-3994	71-3994 STD 0.25		
MB/HL 1-5	5	59.986/60.000	63.705/63.718	20.750	1.844	0.031/0.075	BS	4356CP	H1095/5 STD 0.25 0.50		
TW/A	2	67.785/68.040	82.425/82.677		2.485		AL-LF	4356AF	A191/2 STD		
SE/PB	1		28.939/28.972	21.700			BS	4369Y	55-4159 SEMI		
											
EE5181			HR397				NA5070  31.00x41.00x7.00mm, FPM NF888  93.00x172.00x12.00mm, FPM				



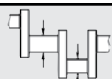
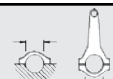





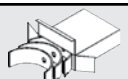
939	 82.00	Diesel					
182 B9.000 Euro 3 (D3)	4 Cyl.	18.45:1	1910cc	74-77kW (100-105)PS	Turbo Intercooled	TD16399	211
186 A8.000	4 Cyl.		1910cc	85kW (115)PS	Turbo Intercooled	TD18309	214

			
87-124000-30 87-124008-30 STD 0.60mm A 46.50 B- 17.45 BØ 37.55 C 0.65 D 72.50  26x61 NB RT	08-124000-00 STD 08-124006-00 0.40mm 08-124008-00 0.60mm 06/00 → 2.00  CK P 2.00  P 2.00  CR P	14-021051-00 D B 85.57 C 155.00 D 88.53 E 4.00 14-028960-00 D B 85.00 C 155.00 D 88.00 E 4.50 	

									
BE/PL	1	50.787/50.805	53.901/53.913	19.500	1.534	0.030/0.080	EC	71-3994	71-3994 [22] STD 0.25
MB/HL 1-5	5	59.986/60.000	63.705/63.718	20.750	1.844	0.031/0.075	BS	4356CP	H1095/5 STD 0.25 0.50
TW/A	2	67.785/68.040	82.425/82.677		2.485		AL-LF	4356AF	A191/2 STD
SE/PB	1		28.939/28.972	21.700			BS	4369Y	55-4159 SEMI

		
EE5181	HR397	NA5070  31.00x41.00x7.00mm, FPM NF888  93.00x172.00x12.00mm, FPM

940	 82.00	Diesel					
185 B4.000	4 Cyl.	18.45:1	1910cc	77kW (105)PS	Turbo Intercooled	TD23359	

									
BE/PL	1	50.787/50.805	53.901/53.913	19.500	1.534	0.030/0.080	EC	71-3994	71-3994 [22] STD 0.25
MB/HL 1-5	5	59.986/60.000	63.705/63.718	20.750	1.844	0.031/0.075	BS	4356CP	H1095/5 STD 0.25 0.50
TW/A	2	67.785/68.040	82.425/82.677		2.485		AL-LF	4356AF	A191/2 STD
SE/PB	1		28.939/28.972	21.700			BS	4369Y	55-4159 SEMI

941

82.00

Diesel



186 A6.000	4 Cyl.	18.45:1	1910cc	81kW (110)PS	Turbo Intercooled	TD15831	213
188 A2.000	4 Cyl.	18.4:1	1910cc	59kW (80)PS	Turbo Intercooled	TD12788	216
188 A7.000	4 Cyl.	18.5:1	1910cc	63kW (86)PS	Turbo Intercooled	TD16409	218
192 A3.000	4 Cyl.	18.5:1	1910cc	59kW (80)PS	Turbo Intercooled	TD16397	222

<p>87-107900-00 STD 87-107908-00 0.60mm</p> <p>A 46.50 B- 17.50 BØ 37.50 C 0.80 D 72.50 26x65</p> <p>AK RT</p>	<p>08-107900-00 STD 08-107908-00 0.60mm →06/00</p> <p>2.50 CR P 2.00 P 2.00 CR P</p>	<p>14-021051-00 D B 85.57 C 155.00 D 88.53 E 4.00 14-028960-00 D B 85.00 C 155.00 D 88.00 E 4.50</p>	
<p>87-124000-10 [13] STD 87-124008-10 0.60mm</p> <p>A 46.50 B- 17.50 BØ 37.50 C 0.55 D 72.50 26x65</p> <p>AK RT</p>	<p>08-124000-00 STD 08-124006-00 0.40mm 08-124008-00 0.60mm 06/00→</p> <p>2.00 CK P 2.00 P 2.00 CR P</p>		

[13] Piston Chamber Volume [ccm] 19.91



[13] Volume de la cavité du piston [cm³] 19.91

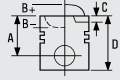
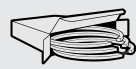
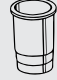
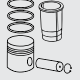



[13] Volume camera pistone [cm³] 19.91



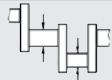
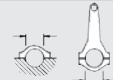






[13] Volumen de cavidad del pistón [cc] 19.91


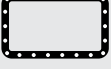


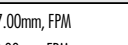

BE/PL	1	50.787/50.805	53.901/53.913	19.500	1.534	0.030/0.080	EC	71-3994	71-3994 STD 0.25	[22]
MB/HL 1-5	5	59.986/60.000	63.705/63.718	20.750	1.844	0.031/0.075	BS	4356CP	H1095/5 STD 0.25 0.50	
TW/A	2	67.785/68.040	82.425/82.677		2.485		AL-LF	4356AF	A191/2 STD	
SE/PB	1		28.939/28.972	21.700			BS	4369Y	55-4159 SEMI	



EE5181	HR397	NA5070 31.00x41.00x7.00mm, FPM NF888 93.00x172.00x12.00mm, FPM

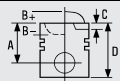
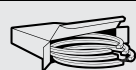
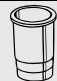

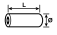






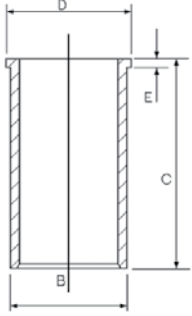
942	 82.00	Diesel	
186 A9.000	4 Cyl.	1910cc	88kW (120)PS
188 B2.000	4 Cyl.	18:1	74kW (101)PS
223 A7.000	4 Cyl.	18.5:1	77kW (105)PS
			Turbo Intercooled
			TD19306
			215

			
	08-124000-00 STD 08-124006-00 0.40mm 08-124008-00 0.60mm 2.00  CK P 2.00  P 2.00  CR P		

									
BE/PL	1	50.787/50.805	53.901/53.913	19.500	1.534	0.030/0.080	EC	71-3994	71-3994 [22] STD 0.25
MB/HL 1-5	5	59.986/60.000	63.705/63.718	20.750	1.844	0.031/0.075	BS	4356CP	H1095/5 STD 0.25 0.50
TW/A	2	67.785/68.040	82.425/82.677		2.485		AL-LF	4356AF	A191/2 STD
SE/PB	1		28.939/28.972	21.700			BS	4369Y	55-4159 SEMI




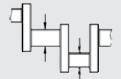
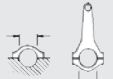











		
 EE5181	HR397	NA5070  31.00x41.00x7.00mm, FPM NF888  93.00x172.00x12.00mm, FPM


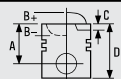






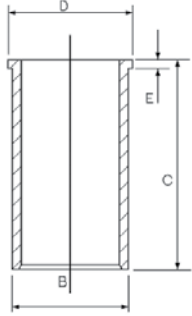


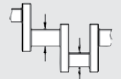
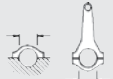











943	 82.00	Diesel	
188 A3.000	4 Cyl.	22.5:1	44kW (60)PS
			TD12789
			217



			
87-124000-00 STD 87-124008-00 0.60mm A 44.45 B- 2.60 D 70.40  26x65 RT	08-124000-00 STD 08-124006-00 0.40mm 08-124008-00 0.60mm 06/00 → 2.00  CK P 2.00  P 2.00  CR P 08-107900-00 STD 08-107908-00 0.60mm →06/00 2.50  CR P 2.00  P 2.00  CR P	14-021051-00 D B 85.57 C 155.00 D 88.53 E 4.00 14-028960-00 D B 85.00 C 155.00 D 88.00 E 4.50 	

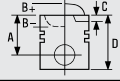

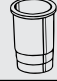

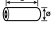
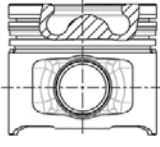




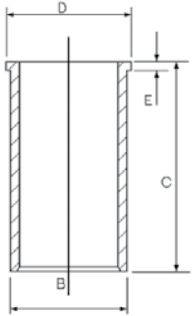
FIAT GROUP



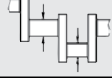
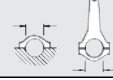





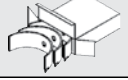
...Continued


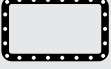


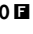

943	 82.00	Diesel								
										
BE/PL	4	50.787/50.807	53.901/53.913	19.500	1.534	0.028/0.083	BS	4350CP	71-4157/4 STD 0.25 0.50	
MB/HL 1,2,4,5	4	52.982/53.000	56.705/56.718	20.750	1.843	0.019/0.075	AL-LF	4351RA	H1096/5 STD 0.25 0.50	
MB/HL 3	1	52.982/53.000	56.705/56.718	20.750	1.838	0.029/0.085	AL-LF	4352RA		
TW/A	2	58.808/59.062	73.486/73.740		2.485		AL-LF	4351AF	A190/2 STD	
										
			HR397				NA5070  31.00x41.00x7.00mm, FPM NF888  93.00x172.00x12.00mm, FPM			

944	 82.00	Diesel								
188 B2.000	4 Cyl.	18:1	1910cc	74kW (101)PS	Turbo Intercooled	TD18316	219			
										
<p>08-124000-00 STD</p> <p>08-124006-00 0.40mm</p> <p>08-124008-00 0.60mm</p> <p>2.00  CK P</p> <p>2.00  P</p> <p>2.00  CR P</p>			<p>14-021051-00 D</p> <p>B 85.57 C 155.00 D 88.53 E 4.00</p> <p>14-028960-00 D</p> <p>B 85.00 C 155.00 D 88.00 E 4.50</p>							
										
BE/PL	1	50.787/50.805	53.901/53.913	19.500	1.534	0.030/0.080	EC	71-3994	71-3994 STD 0.25 [22]	
MB/HL 1-5	5	59.986/60.000	63.705/63.718	20.750	1.844	0.031/0.075	BS	4356CP	H1095/5 STD 0.25 0.50	
TW/A	2	67.785/68.040	82.425/82.677		2.485		AL-LF	4356AF	A191/2 STD	
SE/PB	1		28.939/28.972	21.700			BS	4369Y	55-4159 SEMI	
										
EE5242			HR397				NA5070  31.00x41.00x7.00mm, FPM NF888  93.00x172.00x12.00mm, FPM			

945	 82.00	Diesel					
192 A1.000	4 Cyl.	18.5:1	1910cc	85kW (115)PS	Turbo Intercooled	TD16398	221
939 A1.000	4 Cyl.		1910cc	88kW (120)PS	Turbo Intercooled	TD18448	247

			
87-124000-30 87-124008-30 A 46.50 B- 17.45 BØ 37.55 C 0.65 D 72.50  26x61 NB RT	STD 0.60mm  	08-124000-00 STD 08-124006-00 0.40mm 08-124008-00 0.60mm 06/00 → 2.00  CK P 2.00  P 2.00  CR P	14-021051-00 D B 85.57 C 155.00 D 88.53 E 4.00 14-028960-00 D B 85.00 C 155.00 D 88.00 E 4.50 

									
BE/PL	1	50.787/50.805	53.901/53.913	19.500	1.534	0.030/0.080	EC	71-3994	71-3994 STD 0.25 [22]
MB/HL 1-5	5	59.986/60.000	63.705/63.718	20.750	1.844	0.031/0.075	BS	4356CP	H1095/5 STD 0.25 0.50
TW/A	2	67.785/68.040	82.425/82.677		2.485		AL-LF	4356AF	A191/2 STD
SE/PB	1		28.939/28.972	21.700			BS	4369Y	55-4159 SEMI

		
 EG7390	HR397	NA5070  31.00x41.00x7.00mm, FPM NF888  93.00x172.00x12.00mm, FPM

946	82.00	Diesel					
192 A5.000	4 Cyl.	18.5:1	1910cc	103kW (140)PS	Turbo Intercooled	TD17980	223
192 A5.000 Euro 3 (D3)	4 Cyl.	18.5:1	1910cc	103kW (140)PS	Turbo Intercooled	TD17981	224
192 B1.000	4 Cyl.	18.5:1	1910cc	100kW (136)PS	Turbo Intercooled	TD18944	223
192 B1.000	4 Cyl.	18.5:1	1910cc	100kW (136)PS	Turbo Intercooled	TD19061	224
937 A4.000	4 Cyl.		1910cc	93-103kW (126-140)PS	Turbocharged	TD18844	238
937 A4.000	4 Cyl.		1910cc	93kW (126)PS	Turbo Intercooled	TD18943	239
937 A5.000	4 Cyl.		1910cc	110kW (150)PS	Turbo Intercooled	TD18078	241
937 A5.000	4 Cyl.	17.5:1	1910cc	110kW (150)PS	Turbo Intercooled	TD18929	240

87-146100-00 STD 87-146108-00 0.60mm A 46.50 B- 15.40 BØ 41.50 C 1.03 D 72.50 26x61 AK KK NB RT TP		08-146100-00 STD 08-146106-00 0.40mm 08-146108-00 0.60mm 2.00 CK P 2.00 P 2.00 CK P 08256-102	14-021051-00 D B 85.57 C 155.00 D 88.53 E 4.00 14-028960-00 D B 85.00 C 155.00 D 88.00 E 4.50




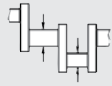
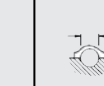
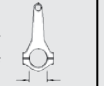



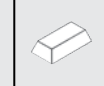







BE/PL	1	50.787/50.805	53.901/53.913	19.500	1.534	0.030/0.080	EC	71-3994	71-3994 STD 0.25	[22]
MB/HL	1	59.986/60.000	63.705/63.718	20.750	1.844	0.031/0.080	EC	72-3995	72-3995 STD 0.25 0.50	
TW/A	2	67.785/68.040	82.425/82.677		2.485		AL-LF	4356AF	A191/2 STD	
SE/PB	1		28.939/28.972	21.700			BS	4369Y	55-4159 SEMI	




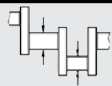
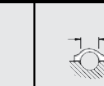
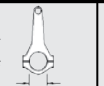



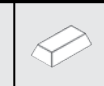







EE5181	HR397	NA5070 31.00x41.00x7.00mm, FPM NF888 93.00x172.00x12.00mm, FPM



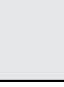

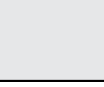

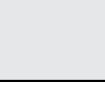
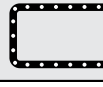
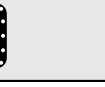
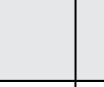
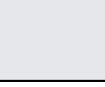






947	82.00	Diesel					
192 A8.000	4 Cyl.		1910cc	88kW (120)PS	Turbo Intercooled	TD20238	225

	08-124000-00 STD 08-124006-00 0.40mm 08-124008-00 0.60mm 2.00 CK P 2.00 P 2.00 CR P		

...Continued

947  82.00 Diesel											
											
BE/PL	1	50.787/50.805	53.901/53.913	19.500	1.534	0.030/0.080	EC	71-3994	71-3994 STD 0.25	[22]	
MB/HL	1	59.986/60.000	63.705/63.718	20.750	1.844	0.031/0.080	EC	72-3995	72-3995 STD 0.25 0.50		
TW/A	2	67.785/68.040	82.425/82.677		2.485		AL-LF	4356AF	A191/2 STD		
SE/PB	1		28.939/28.972	21.700			BS	4369Y	55-4159 SEMI		
											
EE5181			HR397				NA5070  31.00x41.00x7.00mm, FPM NF888  93.00x172.00x12.00mm, FPM				

948  82.00 Diesel											
192 A9.000		4 Cyl.	18.45:1	1910cc	74kW (100)PS			Turbo Intercooled		TD18451	226
192 B5.000		4 Cyl.		1910cc	66kW (90)PS			Turbo Intercooled		TD19308	228
937 A3.000		4 Cyl.		1910cc	88kW (120)PS			Turbo Intercooled		TD20727	237
											
BE/PL	1	50.787/50.805	53.901/53.913	19.500	1.534	0.030/0.080	EC	71-3994	71-3994 STD 0.25	[22]	
MB/HL	1	59.986/60.000	63.705/63.718	20.750	1.844	0.031/0.080	EC	72-3995	72-3995 STD 0.25 0.50		
TW/A	2	67.785/68.040	82.425/82.677		2.485		AL-LF	4356AF	A191/2 STD		
SE/PB	1		28.939/28.972	21.700			BS	4369Y	55-4159 SEMI		
											
EE5181			HR397				NA5070  31.00x41.00x7.00mm, FPM NF888  93.00x172.00x12.00mm, FPM				

949  82.00 Diesel											
192 B4.000		4 Cyl.	18:1	1910cc	85kW (116)PS			Turbo Intercooled		TD24592	227
											
											
EE5181			HR397				NA5070  31.00x41.00x7.00mm, FPM NF888  93.00x172.00x12.00mm, FPM				

FIAT GROUP

950	82.00	Diesel	
199 A5.000	4 Cyl.	18:1	1910cc 96kW (131)PS Turbo Intercooled TD20762 229
D19AA	4 Cyl.	18:1	1910cc 88kW (120)PS Turbo Intercooled TD20930 257

	08-124000-00 STD 08-124006-00 0.40mm 08-124008-00 0.60mm 2.00 CK P 2.00 P 2.00 CR P		




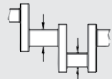
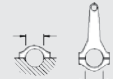





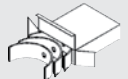





BE/PL	1	50.787/50.805	53.901/53.913	19.500	1.534	0.030/0.080	EC	71-3994	71-3994 [22] STD 0.25
MB/HL 1-5	5	59.986/60.000	63.705/63.718	20.750	1.844	0.031/0.075	BS	4356CP	H1095/5 STD 0.25 0.50
TW/A	2	67.785/68.040	82.425/82.677		2.485		AL-LF	4356AF	A191/2 STD
SE/PB	1		28.939/28.972	21.700			BS	4369Y	55-4159 SEMI


EG7390	HR397	NA5070 31.00x41.00x7.00mm, FPM NF888 93.00x172.00x12.00mm, FPM



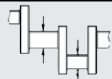






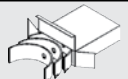
951	82.00	Diesel	
223 A6.000 Euro 3 (D3)	4 Cyl.	22.6:1	1910cc 46-48kW (63-65)PS TD15829 230

87-124000-00 STD 87-124008-00 0.60mm A 44.45 B- 2.60 D 70.40 26x65 RT	08-124000-00 STD 08-124006-00 0.40mm 08-124008-00 0.60mm 06/00→ 2.00 CK P 2.00 P 2.00 CR P 08-107900-00 STD 08-107908-00 0.60mm →06/00 2.50 CR P 2.00 P 2.00 CR P	14-021051-00 D B 85.57 C 155.00 D 88.53 E 4.00 14-028960-00 D B 85.00 C 155.00 D 88.00 E 4.50 	

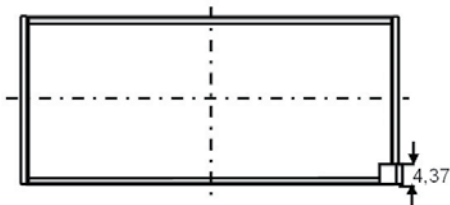
...Continued

951		 82.00	Diesel								
											
BE/PL	4	50.787/50.807	53.901/53.913	19.500	1.534	0.028/0.083	BS	4350CP	71-4157/4 STD 0.25 0.50		
MB/HL 1,2,4,5	4	52.982/53.000	56.705/56.718	20.750	1.843	0.019/0.075	AL-LF	4351RA	H1096/5 STD 0.25 0.50		
MB/HL 3	1	52.982/53.000	56.705/56.718	20.750	1.838	0.029/0.085	AL-LF	4352RA			
TW/A	2	58.808/59.062	73.486/73.740		2.485		AL-LF	4351AF	A190/2 STD		
											
EE5181				HR397				NA5070  31.00x41.00x7.00mm, FPM NF888  93.00x172.00x12.00mm, FPM			






952		 82.00	Diesel							
844 A1.000	4 Cyl.	16.1:1	1910cc	140kW (190)PS	Bi-Turbocharged Intercooled				TD21044	234
844 A1.000	4 Cyl.	16.5:1	1910cc	140kW (190)PS	Turbocharged				TD24649	

									
BE/PL	1	50.787/50.805	53.901/53.913	19.500	1.534	0.030/0.080	EC	71-3994	71-3994 STD 0.25 [22]
BE/PL	1	50.787/50.805	53.901/53.913	19.500	1.534	0.030/0.080	EC-LF	71-4780	71-4780 STD [23]

71-3994



MB/HL	1	59.986/60.000	63.705/63.718	20.750	1.844	0.031/0.080	EC	72-3995	72-3995 STD 0.25 0.50
TW/A	2	67.785/68.040	82.425/82.677		2.485		AL-LF	4356AF	A191/2 STD
SE/PB	1		28.939/28.972	21.700			BS	4369Y	55-4159 SEMI

											
				HR397				NA5070  31.00x41.00x7.00mm, FPM NF888  93.00x172.00x12.00mm, FPM			

953

82.00

Diesel



937 A2.000 4 Cyl. 1910cc 85kW (116)PS Turbo Intercooled TD18313 235

87-124000-30 87-124008-30 STD 0.60mm A 46.50 B- 17.45 BØ 37.55 C 0.65 D 72.50 26x61 NB RT	 	08-124000-00 STD 08-124006-00 0.40mm 08-124008-00 0.60mm 2.00 CK P 2.00 P 2.00 CR P	14-021051-00 D B 85.57 C 155.00 D 88.53 E 4.00 14-028960-00 D B 85.00 C 155.00 D 88.00 E 4.50 				

BE/PL	1	50.787/50.805	53.901/53.913	19.500	1.534	0.030/0.080	EC	71-3994	71-3994 STD 0.25	[22]
MB/HL 1-5	5	59.986/60.000	63.705/63.718	20.750	1.844	0.031/0.075	BS	4356CP	H1095/5 STD 0.25 0.50	
TW/A	2	67.785/68.040	82.425/82.677		2.485		AL-LF	4356AF	A191/2 STD	
SE/PB	1		28.939/28.972	21.700			BS	4369Y	55-4159 SEMI	

EE5181	HR397	NA5070 31.00x41.00x7.00mm, FPM NF888 93.00x172.00x12.00mm, FPM

954

82.00

Diesel



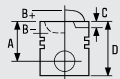
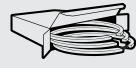
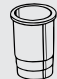


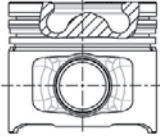




937 A2.000 4 Cyl. 18.45:1 1910cc 85kW (115)PS Turbo Intercooled TD16382 236

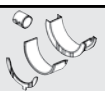

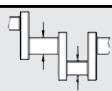
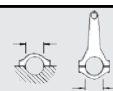


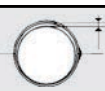

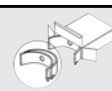
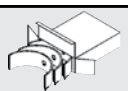
AR 37101 4 Cyl. 18.5:1 1910cc 81kW (110)PS TD15510 256






87-107900-00 87-107908-00 STD 0.60mm A 46.50 B- 17.50 BØ 37.50 C 0.80 D 72.50 26x65 AK RT	 	08-107900-00 STD 08-107908-00 0.60mm 2.50 CR P 2.00 P 2.00 CR P	14-021051-00 D B 85.57 C 155.00 D 88.53 E 4.00 14-028960-00 D B 85.00 C 155.00 D 88.00 E 4.50 				



...Continued

954  **82.00** **Diesel**

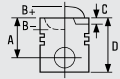
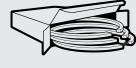
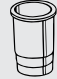




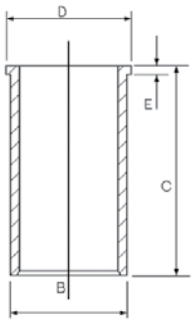
							
87-124000-30 87-124008-30 A 46.50 B- 17.45 BØ 37.55 C 0.65 D 72.50  26x61 NB RT	STD 0.60mm  	08-124000-00 STD 08-124006-00 0.40mm 08-124008-00 0.60mm 2.00  CK P 2.00  P 2.00  CR P					

									
BE/PL	1	50.787/50.805	53.901/53.913	19.500	1.534	0.030/0.080	EC	71-3994	71-3994 STD 0.25
MB/HL 1-5	5	59.986/60.000	63.705/63.718	20.750	1.844	0.031/0.075	BS	4356CP	H1095/5 STD 0.25 0.50
TW/A	2	67.785/68.040	82.425/82.677		2.485		AL-LF	4356AF	A191/2 STD
SE/PB	1		28.939/28.972	21.700			BS	4369Y	55-4159 SEMI

		
EE5181	HR397	NA5070  31.00x41.00x7.00mm, FPM NF888  93.00x172.00x12.00mm, FPM

955  **82.00** **Diesel** 

937 A5.000 4 Cyl. 18.5:1 1910cc **110kW (150)PS** **Turbo Intercooled** **TD21086**

							
		08-124000-00 STD 08-124006-00 0.40mm 08-124008-00 0.60mm 2.00  CK P 2.00  P 2.00  CR P	14-021051-00 D B 85.57 C 155.00 D 88.53 E 4.00 14-028960-00 D B 85.00 C 155.00 D 88.00 E 4.50 				

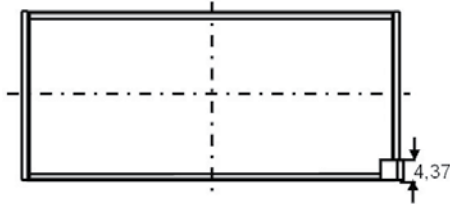
FIAT GROUP

...Continued





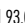
955 82.00 Diesel

										[22]
BE/PL	1	50.787/50.805	53.901/53.913	19.500	1.534	0.030/0.080	EC	71-3994	71-3994 STD 0.25	[22]
BE/PL	1	50.787/50.805	53.901/53.913	19.500	1.534	0.030/0.080	EC-LF	71-4780	71-4780 STD	[23]

71-3994

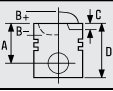
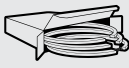
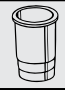

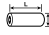
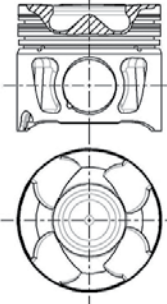




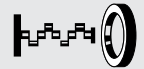

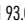
MB/HL	1	59.986/60.000	63.705/63.718	20.750	1.844	0.031/0.080	EC	72-3995	72-3995 STD 0.25 0.50
TW/A	2	67.785/68.040	82.425/82.677		2.485		AL-LF	4356AF	A191/2 STD
SE/PB	1		28.939/28.972	21.700			BS	4369Y	55-4159 SEMI



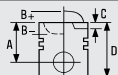








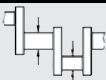
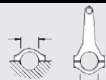








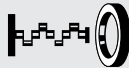


		
EE5181	HR397	NA5070  31.00x41.00x7.00mm, FPM NF888  93.00x172.00x12.00mm, FPM



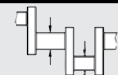



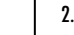

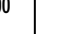


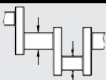
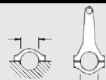








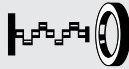


956 82.00 Diesel








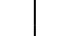
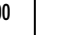



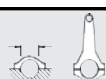





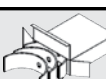





937 A6.000 4 Cyl. 17.5:1 1910cc 125kW (170)PS Turbo Intercooled TD24643 242

			
87-146100-10 STD 87-146106-10 0.40mm	08-146100-00 STD 08-146106-00 0.40mm 08-146108-00 0.60mm		
A 46.50 B- 15.40 BØ 41.50 C 1.07 C 1.02 D 72.50  30x67	 08269-503		
AK KK RT TP			

		
EE5181	HR397	NA5070  31.00x41.00x7.00mm, FPM NF888  93.00x172.00x12.00mm, FPM



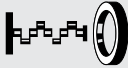


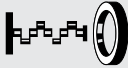


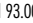
957		 82.00	Diesel							
937 A7.000		4 Cyl.	1910cc	85kW (115)PS		Turbo Intercooled		TD19307	244	
										
			08-124000-00 STD 08-124006-00 0.40mm 08-124008-00 0.60mm 2.00  CK P 2.00  P 2.00  CR P							
										
BE/PL	1	50.787/50.805	53.901/53.913	19.500	1.534	0.030/0.080	EC	71-3994	71-3994 [22] STD 0.25	
TW/A	2	67.785/68.040	82.425/82.677		2.485		AL-LF	4356AF	A191/2 STD	
SE/PB	1		28.939/28.972	21.700			BS	4369Y	55-4159 SEMI	
										
EG7390			HR397			NA5070  31.00x41.00x7.00mm, FPM NF888  93.00x172.00x12.00mm, FPM				


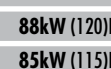

958		 82.00	Diesel							
937 A7.000		4 Cyl.	1910cc	85kW (115)PS		Turbo Intercooled		TD20933	243	
										
			08-124000-00 STD 08-124006-00 0.40mm 08-124008-00 0.60mm 2.00  CK P 2.00  P 2.00  CR P							
										
BE/PL	1	50.787/50.805	53.901/53.913	19.500	1.534	0.030/0.080	EC	71-3994	71-3994 [22] STD 0.25	
TW/A	2	67.785/68.040	82.425/82.677		2.485		AL-LF	4356AF	A191/2 STD	
SE/PB	1		28.939/28.972	21.700			BS	4369Y	55-4159 SEMI	
										
EG7390			HR397			NA5070  31.00x41.00x7.00mm, FPM NF888  93.00x172.00x12.00mm, FPM				



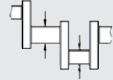
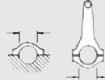






959		 82.00	Diesel							
937 A8.000		4 Cyl.	1910cc	100-100kW (136-136)PS		Turbo Intercooled		TD20271	245	
										
			08-124000-00 STD 08-124006-00 0.40mm 08-124008-00 0.60mm 2.00  CK P 2.00  P 2.00  CR P							
										
BE/PL	1	50.787/50.805	53.901/53.913	19.500	1.534	0.030/0.080	EC	71-3994	71-3994 [22] STD 0.25	
TW/A	2	67.785/68.040	82.425/82.677		2.485		AL-LF	4356AF	A191/2 STD	
SE/PB	1		28.939/28.972	21.700			BS	4369Y	55-4159 SEMI	
										
EG7390			HR397			NA5070  31.00x41.00x7.00mm, FPM NF888  93.00x172.00x12.00mm, FPM				



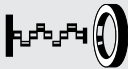


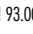
FIAT GROUP


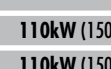

...Continued

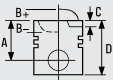
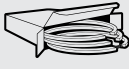

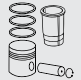



959	 82.00	Diesel		
				
 EG7450	HR397	NA5070  31.00x41.00x7.00mm, FPM NF888  93.00x172.00x12.00mm, FPM		



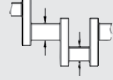
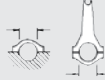






960	 82.00	Diesel				
939 A1.000	4 Cyl.	1910cc	88kW (120)PS	Turbo Intercooled	TD18915	246
939 A7.000	4 Cyl.	1910cc	85kW (115)PS	Turbo Intercooled	TD18916	250
939 A7.000	4 Cyl.	1910cc	85kW (115)PS	Turbo Intercooled	TD20263	227



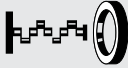


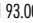
									
BE/PL	1	50.787/50.805	53.901/53.913	19.500	1.534	0.030/0.080	EC	71-3994	71-3994 [22] STD 0.25
MB/HL 1-5	5	59.986/60.000	63.705/63.718	20.750	1.844	0.031/0.075	BS	4356CP	H1095/5 STD 0.25 0.50
TW/A	2	67.785/68.040	82.425/82.677		2.485		AL-LF	4356AF	A191/2 STD
SE/PB	1		28.939/28.972	21.700			BS	4369Y	55-4159 SEMI




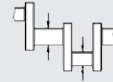
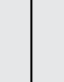







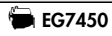
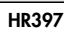
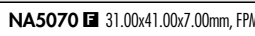
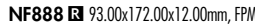
		
 EG7390	HR397	NA5070  31.00x41.00x7.00mm, FPM NF888  93.00x172.00x12.00mm, FPM




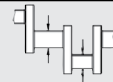
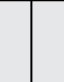







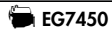
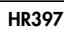
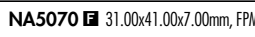
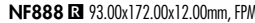
961	 82.00	Diesel				
939 A2.000	4 Cyl.	17.5:1 1910cc	110kW (150)PS	Turbo Intercooled	TD18449	249
939 A2.000	4 Cyl.	17.5:1 1910cc	110kW (150)PS	Turbo Intercooled	TD18473	248


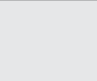
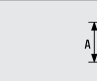
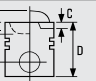
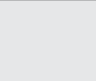

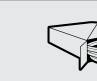

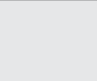
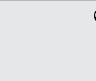

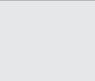



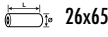
			
	08-146100-00 STD 08-146106-00 0.40mm 08-146108-00 0.60mm		
	2.00  CK P 2.00  P 2.00  CK P		

									
BE/PL	1	50.787/50.805	53.901/53.913	19.500	1.534	0.030/0.080	EC	71-3994	71-3994 [22] STD 0.25
MB/HL	1	59.986/60.000	63.705/63.718	20.750	1.844	0.031/0.080	EC	72-3995	72-3995 STD 0.25 0.50
TW/A	2	67.785/68.040	82.425/82.677		2.485		AL-LF	4356AF	A191/2 STD
SE/PB	1		28.939/28.972	21.700			BS	4369Y	55-4159 SEMI

		
 EG7450	HR397	NA5070  31.00x41.00x7.00mm, FPM NF888  93.00x172.00x12.00mm, FPM

962		 82.00	Diesel							
939 A8.000		4 Cyl.	18.4:1	1910cc	100kW (136)PS		Turbo Intercooled		TD25733	252
										
BE/PL	1	50.787/50.805	53.901/53.913	19.500	1.534	0.030/0.080	EC	71-3994	71-3994 STD 0.25	[22]
MB/HL 1-5	5	59.986/60.000	63.705/63.718	20.750	1.844	0.031/0.075	BS	4356CP	H1095/5 STD 0.25 0.50	
TW/A	2	67.785/68.040	82.425/82.677		2.485		AL-LF	4356AF	A191/2 STD	
SE/PB	1		28.939/28.972	21.700			BS	4369Y	55-4159 SEMI	
						 NA5070 31.00x41.00x7.00mm, FPM				
						 NF888 93.00x172.00x12.00mm, FPM				

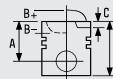

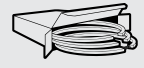
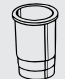
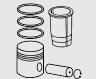

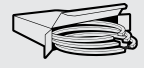
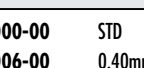
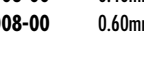

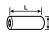
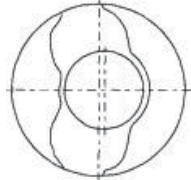
963		 82.00	Diesel							
939 A8.000		4 Cyl.	18.4:1	1910cc	100kW (136)PS		Turbo Intercooled		TD18925	251
										
BE/PL	1	50.787/50.805	53.901/53.913	19.500	1.534	0.030/0.080	EC	71-3994	71-3994 STD 0.25	[22]
MB/HL	1	59.986/60.000	63.705/63.718	20.750	1.844	0.031/0.080	EC	72-3995	72-3995 STD 0.25 0.50	
TW/A	2	67.785/68.040	82.425/82.677		2.485		AL-LF	4356AF	A191/2 STD	
SE/PB	1		28.939/28.972	21.700			BS	4369Y	55-4159 SEMI	
						 NA5070 31.00x41.00x7.00mm, FPM				
						 NF888 93.00x172.00x12.00mm, FPM				

964		 82.00	Diesel							
AR 37101		4 Cyl.	18.5:1	1910cc	80-85kW (109-116)PS		Turbo Intercooled		TD17890	255
										
87-107900-00	STD	14-021051-00 D	08-107900-00	STD	14-021051-00 D	14-028960-00 D	14-021051-00 D	14-021051-00 D	14-021051-00 D	14-021051-00 D
87-107908-00	0.60mm	B 85.57 C 155.00 D 88.53 E 4.00	08-107908-00	0.60mm	B 85.00 C 155.00 D 88.00 E 4.50					
			→06/00							
A 46.50			2.50		CR P					
B- 17.50			2.00		P					
BØ 37.50			2.00		CR P					
C 0.80										
D 72.50										
	26x65									
AK RT										

FIAT GROUP

...Continued

964 82.00 Diesel

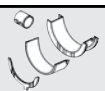

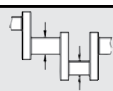
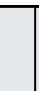
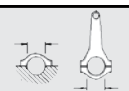



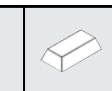


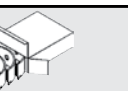
										
87-124000-10 [13] 87-124008-10	STD 0.60mm		08-124000-00 STD 08-124006-00 0.40mm 08-124008-00 0.60mm 06/00 →		 CK P  P  CR P					
A 46.50 B- 17.50 BØ 37.50 C 0.55 D 72.50  26x65										
AK RT										







[13] Piston Chamber Volume [ccm] 19.91

[13] Volume de la cavité du piston [cm³] 19.91

[13] Volume camera pistone [cm³] 19.91

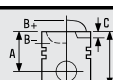
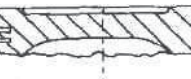
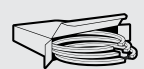


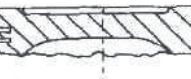
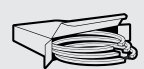
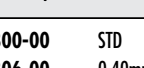



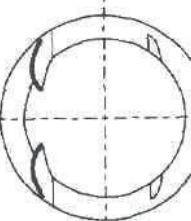
[13] Volumen de cavidad del pistón [cc] 19.91



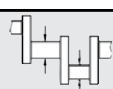
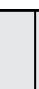
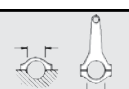



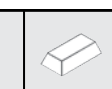



											
BE/PL	MB/HL 1-5	TW/A	SE/PB								
1	5	2	1	50.787/50.805	53.901/53.913	19.500	1.534	0.030/0.080	EC	71-3994	71-3994 STD 0.25
				59.986/60.000	63.705/63.718	20.750	1.844	0.031/0.075	BS	4356CP	H1095/5 STD 0.25 0.50
				67.785/68.040	82.425/82.677		2.485		AL-LF	4356AF	A191/2 STD
				28.939/28.972	21.700				BS	4369Y	55-4159 SEMI

			
EE5181	HR397	NA5070  31.00x41.00x7.00mm, FPM	NF888  93.00x172.00x12.00mm, FPM






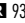
965 82.00 Petrol



175 A3.000	5 Cyl.	8.5:1	1998cc	162kW (220)PS	Turbo Intercooled	TD5491	259
175 A3.000	5 Cyl.	8.5:1	1998cc	162kW (220)PS	Turbocharged	TD11550	258

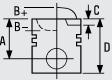
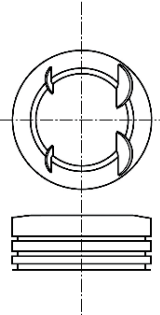
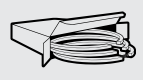
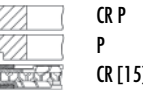
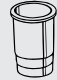




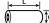
										
87-529300-00 87-529306-00	STD 0.40mm		08-529300-00 STD 08-529306-00 0.40mm		 NT  P  P					
A 32.90 C 2.80 D 56.90  22x54										



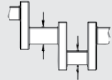
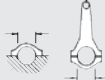





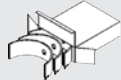
											
BE/PL	MB/HL 1-6	TW/A	SE/PB								
5	6	2	1	48.226/48.244	51.354/51.366	19.100	1.543	0.020/0.080	BS	4355CP	71-4209/5 STD 0.25 0.50
				59.986/60.000	63.705/63.718	20.750	1.844	0.031/0.075	BS	4356CP	H1095/6 STD 0.25 0.50
				67.785/68.040	82.425/82.677		2.485		AL-LF	4356AF	A191/2 STD
				19.993/20.000	22.939/22.972	21.700			BS	4359Y	55-4540 SEMI





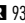
...Continued



965	 82.00	Petrol
		
HR397		NA5070  31.00x41.00x7.00mm, FPM NF888  93.00x172.00x12.00mm, FPM

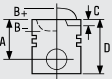
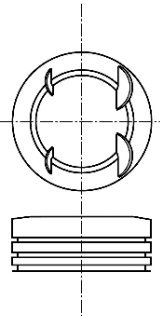
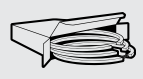
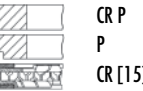
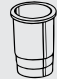
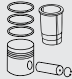



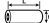
966	 82.00	Petrol				
182 A1.000	5 Cyl.	10:1	1998cc	108kW (147)PS	TD4397	260
182 B7.000	5 Cyl.	10.7:1	1998cc	113kW (154)PS	TD14389	263
838 A1.000	5 Cyl.	10:1	1998cc	107kW (146)PS	TD4616	266

					
87-787000-00 STD 87-787006-00 0.40mm		08-787000-00 STD 08-787006-00 0.40mm	1.50  CR P 1.50  P 3.00  CR [15]		
A 32.90 B+ 0.80 D 57.70  20x52					
[15] Steel	[15] Acier	[15] Acciaio	[15] Acero		

									
BE/PL	5	48.226/48.244	51.354/51.366	19.100	1.543	0.020/0.080	BS	4355CP	71-4209/5 STD 0.25 0.50
MB/HL 1-6	6	59.986/60.000	63.705/63.718	20.750	1.844	0.031/0.075	BS	4356CP	H1095/6 STD 0.25 0.50
TW/A	2	67.785/68.040	82.425/82.677		2.485		AL-LF	4356AF	A191/2 STD
SE/PB	1	19.993/20.000	22.939/22.972	21.700			BS	4359Y	55-4540 SEMI




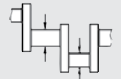
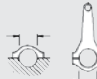












		
HR397		NA5070  31.00x41.00x7.00mm, FPM NF888  93.00x172.00x12.00mm, FPM



967	 82.00	Petrol				
182 B3.000	5 Cyl.	10:1	1998cc	113kW (154)PS	TD11789	261

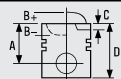
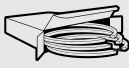


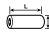
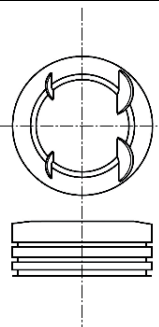



					
87-787000-00 STD 87-787006-00 0.40mm		08-787000-00 STD 08-787006-00 0.40mm	1.50  CR P 1.50  P 3.00  CR [15]		
A 32.90 B+ 0.80 D 57.70  20x52					
[15] Steel	[15] Acier	[15] Acciaio	[15] Acero		




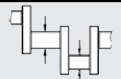
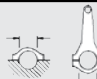












FIAT GROUP








...Continued



967		 82.00	Petrol							
										
BE/PL	5	48.226/48.244	51.354/51.366	19.100	1.543	0.020/0.080	BS	4355CP	71-4209/5 STD 0.25 0.50	
MB/HL 1-6	6	59.986/60.000	63.705/63.718	20.750	1.844	0.031/0.075	BS	4356CP	H1095/6 STD 0.25 0.50	
TW/A	2	67.785/68.040	82.425/82.677		2.485		AL-LF	4356AF	A191/2 STD	
SE/PB	1	19.993/20.000	22.939/22.972	21.700			BS	4359Y	55-4540 SEMI	
										
 ED5960			HR397				NA5070  31.00x41.00x7.00mm, FPM NF888  93.00x172.00x12.00mm, FPM			

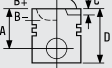
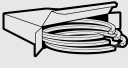
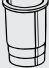

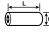
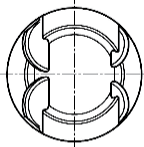




968		 82.00	Petrol				
182 B7.000	5 Cyl.	10.7:1	1998cc	113kW (154)PS		TD15498	262
838 A6.000	5 Cyl.	10.4:1	1998cc	114kW (155)PS		TD5436	267



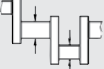
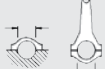






			
87-787000-00 87-787006-00	STD 0.40mm	08-787000-00 08-787006-00	STD 0.40mm
A 32.90 B+ 0.80 D 57.70  20x52		1.50  CR P 1.50  P 3.00  CR [15]	
[15] Steel	[15] Acier	[15] Acciaio	[15] Acero






967		 82.00	Petrol							
										
BE/PL	5	48.226/48.244	51.354/51.366	19.100	1.543	0.020/0.080	BS	4355CP	71-4209/5 STD 0.25 0.50	
MB/HL 1-6	6	59.986/60.000	63.705/63.718	20.750	1.844	0.031/0.075	BS	4356CP	H1095/6 STD 0.25 0.50	
TW/A	2	67.785/68.040	82.425/82.677		2.485		AL-LF	4356AF	A191/2 STD	
SE/PB	1	19.993/20.000	22.939/22.972	21.700			BS	4359Y	55-4540 SEMI	
										
 EW320			HR397				NA5070  31.00x41.00x7.00mm, FPM NF888  93.00x172.00x12.00mm, FPM			



969	 82.00	Petrol				
185 A4.011	5 Cyl.	8.5:1	1998cc	134kW (182)PS	Turbocharged	TD24639
						
	HR397	NA5070  31.00x41.00x7.00mm, FPM NF888  93.00x172.00x12.00mm, FPM				



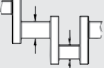







970	 82.00	Petrol				
185 A8.000	5 Cyl.	10.5:1	1998cc	110kW (150)PS	TD15630	264
185 A8.000 Euro 3 (D3)	5 Cyl.	10.5:1	1998cc	110kW (150)PS	TD15830	265






			
87-118000-30 STD 87-118006-30 0.40mm	08-118000-00 STD 08-118006-00 0.40mm 08-118008-00 0.60mm		
A 31.90 B+ 1.10 D 55.00  20x52	 	1.19  NT 1.20  P 2.00  P	

									
BE/PL	5	48.226/48.244	51.354/51.366	19.100	1.543	0.020/0.080	BS	4355CP	71-4209/5 STD 0.25 0.50
MB/HL 1-6	6	59.986/60.000	63.705/63.718	20.750	1.844	0.031/0.075	BS	4356CP	H1095/6 STD 0.25 0.50
TW/A	2	67.785/68.040	82.425/82.677		2.485		AL-LF	4356AF	A191/2 STD
SE/PB	1	19.993/20.000	22.939/22.972	21.700			BS	4359Y	55-4540 SEMI

		
ED5960	HR397	NA5070  31.00x41.00x7.00mm, FPM NF888  93.00x172.00x12.00mm, FPM

971	 82.00	Petrol					
841 E.000	5 Cyl.	8.5:1	1998cc	136kW (185)PS	Turbo Intercooled	TD16731	268

									
BE/PL	5	48.226/48.244	51.354/51.366	19.100	1.543	0.020/0.080	BS	4355CP	71-4209/5 STD 0.25 0.50
MB/HL 1-6	6	59.986/60.000	63.705/63.718	20.750	1.844	0.031/0.075	BS	4356CP	H1095/6 STD 0.25 0.50
TW/A	2	67.785/68.040	82.425/82.677		2.485		AL-LF	4356AF	A191/2 STD
SE/PB	1	19.993/20.000	22.939/22.972	21.700			BS	4359Y	55-4540 SEMI

		
ED5960	HR397	NA5070  31.00x41.00x7.00mm, FPM NF888  93.00x172.00x12.00mm, FPM

972

82.00

Diesel

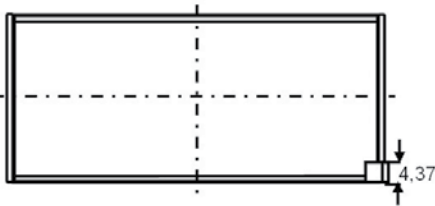


185 A2.000 5 Cyl. 20.7:1 2387cc 91kW (125)PS Turbo Intercooled TD4406 269

87-523100-00 STD 87-523108-00 0.60mm A 45.20 B- 2.15 D 71.15 26x65 AK RT	08-523100-00 STD 08-523108-00 0.60mm 3.00 CK P 2.00 P 3.00 CR P	14-021051-00 D B 85.57 C 155.00 D 88.53 E 4.00 14-028960-00 D B 85.00 C 155.00 D 88.00 E 4.50 	



BE/PL	5	50.787/50.805	53.901/53.913	19.500	1.534	0.030/0.080	EC	71-3958	71-3958/5 .010	
BE/PL	1	50.787/50.805	53.901/53.913	19.500	1.534	0.030/0.080	EC	71-3994	71-3994 STD 0.25	[22]

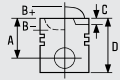
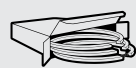
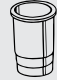

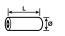
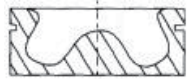
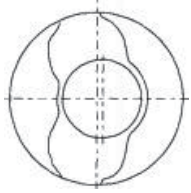



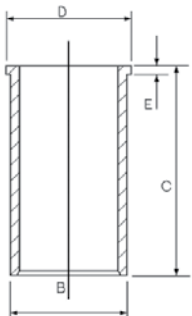
71-3994

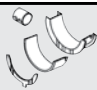

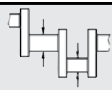
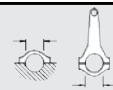


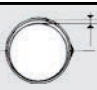

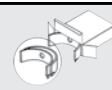
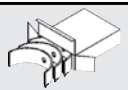


MB/HL 1-6	6	59.986/60.000	63.705/63.718	20.750	1.844	0.031/0.075	BS	4356CP	H1095/6 STD 0.25 0.50
TW/A	2	67.785/68.040	82.425/82.677		2.485		AL-LF	4356AF	A191/2 STD
SE/PB	1		28.939/28.972	21.700			BS	4369Y	55-4159 SEMI

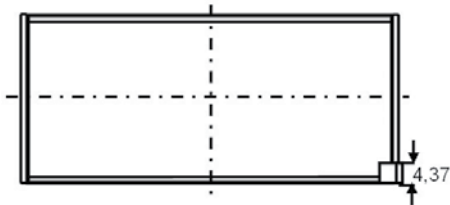
	HR397	NA5070 31.00x41.00x7.00mm, FPM NF888 93.00x172.00x12.00mm, FPM

973	 82.00	Diesel					
185 A6.000	5 Cyl.	18.45:1	2387cc	96kW (130)PS	Turbo Intercooled	TD18145	270
839 A5.000	5 Cyl.	18.5:1	2387cc	96-99kW (131-135)PS	Turbo Intercooled	TD14408	273
839 A5.000	5 Cyl.	18.5:1	2387cc	96-99kW (131-135)PS	Turbo Intercooled	TD17399	273
AR 32501	5 Cyl.		2387cc	99-100kW (135-136)PS	Turbo Intercooled	TD9770	289
AR 34202	5 Cyl.	18.45:1	2387cc	100kW (136)PS	Turbo Intercooled	TD11604	290






			
87-108000-00 87-108008-00 STD 0.60mm A 47.25 B- 17.50 BØ 37.45 D 73.25  26x61 AK NB RT	 	08-108000-00 STD 08-108008-00 0.60mm 3.00  CK P 2.00  P 3.00  CR P	14-021051-00 D B 85.57 C 155.00 D 88.53 E 4.00 14-028960-00 D B 85.00 C 155.00 D 88.00 E 4.50 

									
BE/PL	5	50.787/50.805	53.901/53.913	19.500	1.534	0.030/0.080	EC	71-3958	71-3958/5 .010
BE/PL	1	50.787/50.805	53.901/53.913	19.500	1.534	0.030/0.080	EC	71-3994	71-3994 STD 0.25 [22]

71-3994



MB/HL 1-6	6	59.986/60.000	63.705/63.718	20.750	1.844	0.031/0.075	BS	4356CP	H1095/6 STD 0.25 0.50
TW/A	2	67.785/68.040	82.425/82.677		2.485		AL-LF	4356AF	A191/2 STD
SE/PB	1		28.939/28.972	21.700			BS	4369Y	55-4159 SEMI

		
	HR397	NA5070  31.00x41.00x7.00mm, FPM NF888  93.00x172.00x12.00mm, FPM

974

82.00

Diesel



838 A3.000	5 Cyl.	21:1	2387cc	91kW (124)PS	Turbo Intercooled	TD4618	271
838 A7.000	5 Cyl.	21:1	2387cc	91kW (124)PS	Turbo Intercooled	TD5437	271

87-523100-00 87-523108-00 A 45.20 B- 2.15 D 71.15 26x65 AK RT	STD 0.60mm 	08-523100-00 STD 08-523108-00 0.60mm 3.00 CK P 2.00 P 3.00 CR P	14-021051-00 D B 85.57 C 155.00 D 88.53 E 4.00 14-028960-00 D B 85.00 C 155.00 D 88.00 E 4.50

BE/PL	MB/HL 1-6	TW/A	SE/PB	MB/HL 1-6	TW/A	SE/PB	EC	71-3994	71-3994
1	6	2	1	6	2	1			
50.787/50.805	59.986/60.000	67.785/68.040	28.939/28.972	63.705/63.718	82.425/82.677	28.939/28.972	0.030/0.080	4356CP	STD 0.25
53.901/53.913	63.705/63.718	82.425/82.677	28.939/28.972	63.705/63.718	82.425/82.677	28.939/28.972	0.031/0.075	4356AF	H1095/6
19.500	20.750	2.485	21.700	20.750	2.485	21.700		4369Y	STD 0.25 0.50
1.534	1.844			1.844					A191/2
									STD
									SEMI

HR397	NA5070 31.00x41.00x7.00mm, FPM	NF888 93.00x172.00x12.00mm, FPM

975

82.00

Diesel



838 A8.000	5 Cyl.	18.45:1	2387cc	100kW (136)PS	Turbocharged	TD11551	272
AR 32501	5 Cyl.	18.5:1	2387cc	99-100kW (135-136)PS	Turbo Intercooled	TD17400	273

87-108000-00 87-108008-00 A 47.25 B- 17.50 BØ 37.45 D 73.25 26x61 AK NB RT	STD 0.60mm 	08-108000-00 STD 08-108008-00 0.60mm 3.00 CK P 2.00 P 3.00 CR P	14-021051-00 D B 85.57 C 155.00 D 88.53 E 4.00 14-028960-00 D B 85.00 C 155.00 D 88.00 E 4.50

...Continued



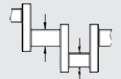
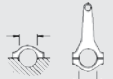





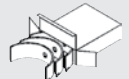
975		82.00	Diesel										
BE/PL	1	50.787/50.805	53.901/53.913	19.500	1.534	0.030/0.080	EC	71-3994	71-3994 STD 0.25	[22]			
MB/HL 1-6	6	59.986/60.000	63.705/63.718	20.750	1.844	0.031/0.075	BS	4356CP	H1095/6 STD 0.25 0.50				
TW/A	2	67.785/68.040	82.425/82.677		2.485		AL-LF	4356AF	A191/2 STD				
SE/PB	1		28.939/28.972	21.700			BS	4369Y	55-4159 SEMI				
				HR397									
								NA5070 31.00x41.00x7.00mm, FPM					
								NF888 93.00x172.00x12.00mm, FPM					

976		82.00	Diesel							
839 A6.000 Euro 3 (D3)		5 Cyl.	18.45:1	2387cc	103kW (140)PS		Turbo Intercooled		TD18819	274
841 C000		5 Cyl.	18.5:1	2387cc	110kW (150)PS		Turbo Intercooled		TD16383	277
87-107900-00	87-107908-00	STD 0.60mm		08-107900-00	08-107908-00	STD 0.60mm		14-021051-00 D	14-028960-00 D	
A 46.50	B- 17.50	BØ 37.50	C 0.80	D 72.50		2.50 CR P	2.00 P	2.00 CR P	B 85.57 C 155.00 D 88.53 E 4.00	B 85.00 C 155.00 D 88.00 E 4.50
	26x65									
AK RT										
87-124000-30	87-124008-30	STD 0.60mm		08-124000-00	08-124006-00	08-124008-00	STD 0.40mm 0.60mm			
A 46.50	B- 17.45	BØ 37.55	C 0.65	D 72.50		2.00 CK P	2.00 P	2.00 CR P		
	26x61									
NB RT										

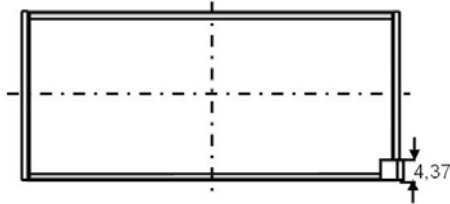
FIAT GROUP

...Continued






976

									
BE/PL	5	50.787/50.805	53.901/53.913	19.500	1.534	0.030/0.080	EC	71-3958	71-3958/5 STD 0.10
BE/PL	1	50.787/50.805	53.901/53.913	19.500	1.534	0.030/0.080	EC	71-3994	71-3994 STD 0.25 [22]

71-3994

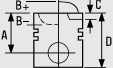
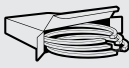

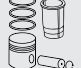
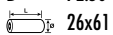



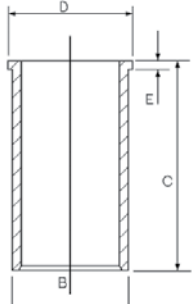




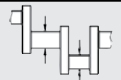
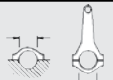





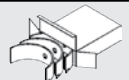
MB/HL 1-6	6	59.986/60.000	63.705/63.718	20.750	1.844	0.031/0.075	BS	4356CP	H1095/6 STD 0.25 0.50
TW/A	2	67.785/68.040	82.425/82.677		2.485		AL-LF	4356AF	A191/2 STD
SE/PB	1		28.939/28.972	21.700			BS	4369Y	55-4159 SEMI

		
EA5780	HR397	NA5070  NF888 

977







839 A6.000 Euro 3 (D3)	5 Cyl.	18.45:1	2387cc	103kW (140)PS	Turbo Intercooled	TD15631	275
841 C.000	5 Cyl.	18.5:1	2387cc	110kW (150)PS	Turbo Intercooled	TD16472	276

			
87-124000-30 STD 87-124008-30 0.60mm A 46.50 B- 17.45 BØ 37.55 C 0.65 D 72.50  NB RT	08-124000-00 STD 08-124006-00 0.40mm 08-124008-00 0.60mm 2.00  CK P 2.00  P 2.00  CR P	14-021051-00 D B 85.57 C 155.00 D 88.53 E 4.00 14-028960-00 D B 85.00 C 155.00 D 88.00 E 4.50 	

									
BE/PL	1	50.787/50.805	53.901/53.913	19.500	1.534	0.030/0.080	EC	71-3994	71-3994 STD 0.25 [22]
MB/HL 1-6	6	59.986/60.000	63.705/63.718	20.750	1.844	0.031/0.075	BS	4356CP	H1095/6 STD 0.25 0.50
TW/A	2	67.785/68.040	82.425/82.677		2.485		AL-LF	4356AF	A191/2 STD
SE/PB	1		28.939/28.972	21.700			BS	4369Y	55-4159 SEMI

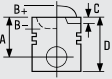

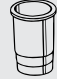

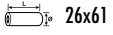



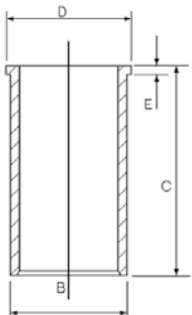
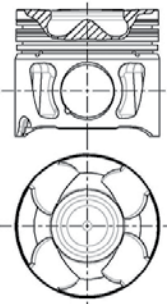
...Continued



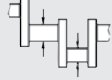
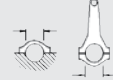






977  **82.00 Diesel**  







		
 EA5780	HR397	NA5070  31.00x41.00x7.00mm, FPM NF888  93.00x172.00x12.00mm, FPM

978  **82.00 Diesel**  

841 G.000	5 Cyl.	2387cc	129kW (175)PS	Turbo Intercooled	TD18292	278	
841 M.000	5 Cyl.	18:1	2387cc	120-147kW (163-200)PS	Turbo Intercooled	TD20934	282

			
87-146100-00 STD 87-146108-00 0.60mm A 46.50 B- 15.40 BØ 41.50 C 1.03 D 72.50  26x61 AK KK NB RT TP	08-146100-00 STD 08-146106-00 0.40mm 08-146108-00 0.60mm 2.00  CK P 2.00  P 2.00  CK P	14-021051-00 D B 85.57 C 155.00 D 88.53 E 4.00 14-028960-00 D B 85.00 C 155.00 D 88.00 E 4.50 	
 08256-102			

									
BE/PL	1	50.787/50.805	53.901/53.913	19.500	1.534	0.030/0.080	EC	71-3994	71-3994 [22] STD 0.25
MB/HL	1	59.986/60.000	63.705/63.718	20.750	1.844	0.031/0.080	EC	72-3995	72-3995 STD 0.25 0.50
TW/A	2	67.785/68.040	82.425/82.677		2.485		AL-LF	4356AF	A191/2 STD
SE/PB	1		28.939/28.972	21.700			BS	4369Y	55-4159 SEMI

		
 ED5910	HR397	NA5070  31.00x41.00x7.00mm, FPM NF888  93.00x172.00x12.00mm, FPM

FIAT GROUP

979

82.00

Diesel



841 G.000 5 Cyl. 2387cc **129kW (175)PS** **Turbo Intercooled** **TD18317** **279**

<p>87-146100-00 STD</p> <p>A 46.50 B- 15.40 BØ 41.50 C 1.03 D 72.50 26x61</p> <p>AK KK NB RT TP</p>	<p>08-146100-00 STD 08-146106-00 0.40mm 08-146108-00 0.60mm</p> <p>2.00 CK P 2.00 P 2.00 CK P</p> <p style="text-align: center;">08256-102</p>	<p>14-021051-00 D B 85.57 C 155.00 D 88.53 E 4.00</p>	
--	--	---	--

BE/PL	1	50.787/50.805	53.901/53.913	19.500	1.534	0.030/0.080	EC	71-3994	71-3994 STD 0.25	[22]
MB/HL	1	59.986/60.000	63.705/63.718	20.750	1.844	0.031/0.080	EC	72-3995	72-3995 STD 0.25 0.50	
TW/A	2	67.785/68.040	82.425/82.677		2.485		AL-LF	4356AF	A191/2 STD	
SE/PB	1		28.939/28.972	21.700			BS	4369Y	55-4159 SEMI	

ED5910	HR397	NA5070 31.00x41.00x7.00mm, FPM NF888 93.00x172.00x12.00mm, FPM

980

82.00

Diesel












841 H.000 5 Cyl. 2387cc **129kW (175)PS** **Turbo Intercooled** **TD18293** **281**



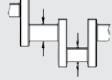





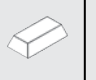



	<p>08-146100-00 STD 08-146106-00 0.40mm 08-146108-00 0.60mm</p> <p>2.00 CK P 2.00 P 2.00 CK P</p>		
--	--	--	--







BE/PL	1	50.787/50.805	53.901/53.913	19.500	1.534	0.030/0.080	EC	71-3994	71-3994 STD 0.25	[22]
MB/HL	1	59.986/60.000	63.705/63.718	20.750	1.844	0.031/0.080	EC	72-3995	72-3995 STD 0.25 0.50	
TW/A	2	67.785/68.040	82.425/82.677		2.485		AL-LF	4356AF	A191/2 STD	
SE/PB	1		28.939/28.972	21.700			BS	4369Y	55-4159 SEMI	



...Continued

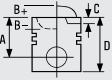
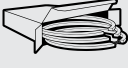

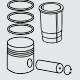



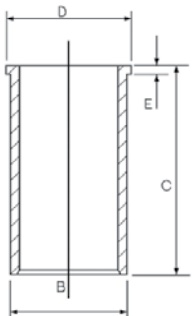
980	 82.00	Diesel
		
 ED5910	HR397	NA5070  31.00x41.00x7.00mm, FPM NF888  93.00x172.00x12.00mm, FPM



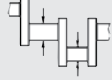

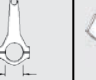



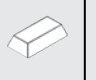



981	 82.00	Diesel				
841 H.000	5 Cyl.	2387cc	129kW (175)PS	Turbo Intercooled	TD20953	280

											
BE/PL	1	50.787/50.805	53.901/53.913	19.500	1.534	0.030/0.080	EC	71-3994	71-3994 STD 0.25	[22]	
MB/HL	1	59.986/60.000	63.705/63.718	20.750	1.844	0.031/0.080	EC	72-3995	72-3995 STD 0.25 0.50		
TW/A	2	67.785/68.040	82.425/82.677		2.485		AL-LF	4356AF	A191/2 STD		
SE/PB	1		28.939/28.972	21.700			BS	4369Y	55-4159 SEMI		

		
 ED5910	HR397	NA5070  31.00x41.00x7.00mm, FPM NF888  93.00x172.00x12.00mm, FPM

982	 82.00	Diesel					
841 M.000	5 Cyl.	18:1	2387cc	120-147kW (163-200)PS	Turbo Intercooled	TD19057	283



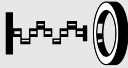


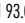
			
	08-124000-00 STD 08-124006-00 0.40mm 08-124008-00 0.60mm 2.00  CK P 2.00  P 2.00  CR P	14-021051-00 D B 85.57 C 155.00 D 88.53 E 4.00 14-028960-00 D B 85.00 C 155.00 D 88.00 E 4.50 	

											
BE/PL	1	50.787/50.805	53.901/53.913	19.500	1.534	0.030/0.080	EC	71-3994	71-3994 STD 0.25	[22]	
MB/HL	1	59.986/60.000	63.705/63.718	20.750	1.844	0.031/0.080	EC	72-3995	72-3995 STD 0.25 0.50		
TW/A	2	67.785/68.040	82.425/82.677		2.485		AL-LF	4356AF	A191/2 STD		
SE/PB	1		28.939/28.972	21.700			BS	4369Y	55-4159 SEMI		

FIAT GROUP

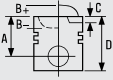


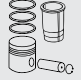



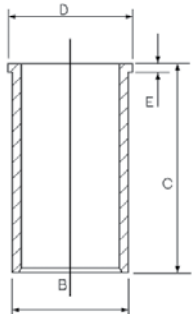
...Continued



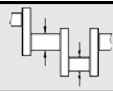
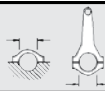






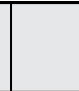
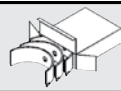
982 82.00 Diesel






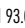
		
 ED5910	HR397	NA5070  31.00x41.00x7.00mm, FPM NF888  93.00x172.00x12.00mm, FPM

983 82.00 Diesel

841 N.000 5 Cyl. 2387cc 120kW (163)PS Turbo Intercooled TD19058 283

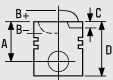






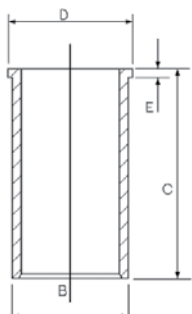
			
	08-124000-00 STD 08-124006-00 0.40mm 08-124008-00 0.60mm 2.00  CK P 2.00  P 2.00  CR P	14-021051-00 D B 85.57 C 155.00 D 88.53 E 4.00 14-028960-00 D B 85.00 C 155.00 D 88.00 E 4.50	
			

											
BE/PL	1	50.787/50.805	53.901/53.913	19.500	1.534	0.030/0.080	EC-LF	71-4780	71-4780		[23]
MB/HL	1	59.986/60.000	63.705/63.718	20.750	1.844	0.031/0.080	EC	72-3995	72-3995		STD 0.25 0.50




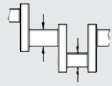
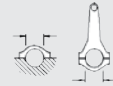


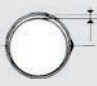


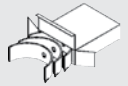
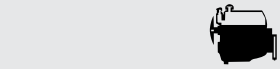




		
 ED5910	HR397	NA5070  31.00x41.00x7.00mm, FPM NF888  93.00x172.00x12.00mm, FPM





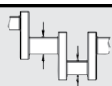
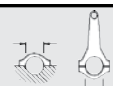


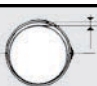


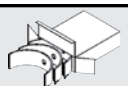
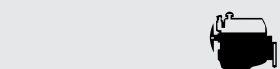




984 82.00 Diesel






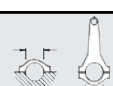





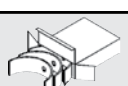





841 N.000 5 Cyl. 18:1 2387cc 120-147kW (163-200)PS Turbo Intercooled TD22510

			
	08-146100-00 STD 08-146106-00 0.40mm 08-146108-00 0.60mm 2.00  CK P 2.00  P 2.00  CK P	14-021051-00 D B 85.57 C 155.00 D 88.53 E 4.00 14-028960-00 D B 85.00 C 155.00 D 88.00 E 4.50	
			

...Continued

984		 82.00	Diesel							
										
BE/PL	1	50.787/50.805	53.901/53.913	19.500	1.534	0.030/0.080	EC-LF	71-4780	71-4780 STD	[23]
MB/HL	1	59.986/60.000	63.705/63.718	20.750	1.844	0.031/0.080	EC	72-3995	72-3995 STD 0.25 0.50	
										
ED5910			HR397			NA5070  31.00x41.00x7.00mm, FPM NF888  93.00x172.00x12.00mm, FPM				

985		 82.00	Diesel							
841 P.000		5 Cyl.	2387cc	136kW (185)PS		Turbo Intercooled		TD20954	284	
										
BE/PL	1	50.787/50.805	53.901/53.913	19.500	1.534	0.030/0.080	EC-LF	71-4780	71-4780 STD	[23]
MB/HL	1	59.986/60.000	63.705/63.718	20.750	1.844	0.031/0.080	EC	72-3995	72-3995 STD 0.25 0.50	
										
ED5910			HR397			NA5070  31.00x41.00x7.00mm, FPM NF888  93.00x172.00x12.00mm, FPM				

986		 82.00	Diesel							
936 B.000		5 Cyl.	2387cc	136kW (185)PS		Turbocharged		TD20761	285	
										
BE/PL	1	50.787/50.805	53.901/53.913	19.500	1.534	0.030/0.080	EC-LF	71-4780	71-4780 STD	[23]
MB/HL	1	59.986/60.000	63.705/63.718	20.750	1.844	0.031/0.080	EC	72-3995	72-3995 STD 0.25 0.50	
										
EG7410			HR397			NA5070  31.00x41.00x7.00mm, FPM NF888  93.00x172.00x12.00mm, FPM				

FIAT GROUP

987

82.00

Diesel



939 A3.000

5 Cyl.

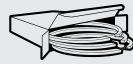
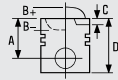
2387cc

147kW (200)PS

Turbo Intercooled

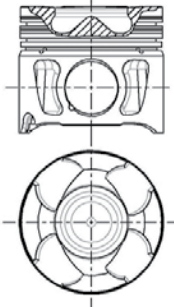
TD18450

286



87-146100-00
87-146108-00

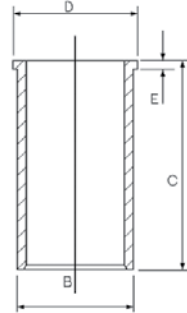
STD
0.60mm



08-146100-00 STD
08-146106-00 0.40mm
08-146108-00 0.60mm

2.00 CK P
2.00 P
2.00 CK P

14-021051-00 D
B 85.57 C 155.00 D 88.53 E 4.00
14-028960-00 D
B 85.00 C 155.00 D 88.00 E 4.50



A 46.50
B- 15.40
BØ 41.50
C 1.03
D 72.50
 26x61

AK KK NB RT TP

08256-102

BE/PL	1	50.787/50.805	53.901/53.913	19.500	1.534	0.030/0.080	EC-LF	71-4780	71-4780 STD	[23]
MB/HL	1	59.986/60.000	63.705/63.718	20.750	1.844	0.031/0.080	EC	72-3995	72-3995 STD 0.25 0.50	



EG7410



HR397



NA5070 31.00x41.00x7.00mm, FPM
NF888 93.00x172.00x12.00mm, FPM

988

82.00

Diesel



939 A3.000 Euro 4 (D4)

5 Cyl.

17:1

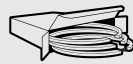
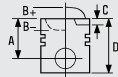
2387cc

147-154kW (200-209)PS

Turbo Intercooled

TD18474

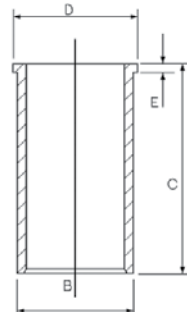
287



08-146100-00 STD
08-146106-00 0.40mm
08-146108-00 0.60mm

2.00 CK P
2.00 P
2.00 CK P






14-021051-00 D
B 85.57 C 155.00 D 88.53 E 4.00
14-028960-00 D
B 85.00 C 155.00 D 88.00 E 4.50



BE/PL	1	50.787/50.805	53.901/53.913	19.500	1.534	0.030/0.080	EC-LF	71-4780	71-4780 STD	[23]
MB/HL	1	59.986/60.000	63.705/63.718	20.750	1.844	0.031/0.080	EC	72-3995	72-3995 STD 0.25 0.50	






...Continued

988  **82.00** **Diesel**

		
EG7410	HR397	NA5070  31.00x41.00x7.00mm, FPM NF888  93.00x172.00x12.00mm, FPM

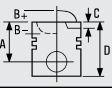
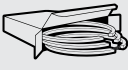
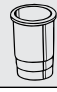

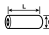



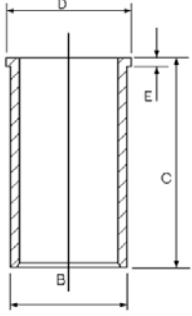




989  **82.00** **Diesel** 

939 A9.000 5 Cyl. 17:1 2387cc 154kW (210)PS Turbo Intercooled TD20935 **288**

		
EG7410	HR397	NA5070  31.00x41.00x7.00mm, FPM NF888  93.00x172.00x12.00mm, FPM

990  **82.00** **Diesel** 

AR 36202 5 Cyl. 2387cc 103kW (140)PS TD15636 **291**

			
<p>87-107900-00 STD</p> <p>87-107908-00 0.60mm</p> <p>A 46.50</p> <p>B- 17.50</p> <p>BØ 37.50</p> <p>C 0.80</p> <p>D 72.50</p> <p> 26x65</p> <p>AK RT</p>	<p>08-107900-00 STD</p> <p>08-107908-00 0.60mm</p> <p>2.50  CR P</p> <p>2.00  P</p> <p>2.00  CR P</p>	<p>14-021051-00 D</p> <p>B 85.57 C 155.00 D 88.53 E 4.00</p> <p>14-028960-00 D</p> <p>B 85.00 C 155.00 D 88.00 E 4.50</p> <p></p>	
<p>87-124000-30 STD</p> <p>87-124008-30 0.60mm</p> <p>A 46.50</p> <p>B- 17.45</p> <p>BØ 37.55</p> <p>C 0.65</p> <p>D 72.50</p> <p> 26x61</p> <p>NB RT</p>	<p>08-124000-00 STD</p> <p>08-124006-00 0.40mm</p> <p>08-124008-00 0.60mm</p> <p>2.00  CK P</p> <p>2.00  P</p> <p>2.00  CR P</p>		

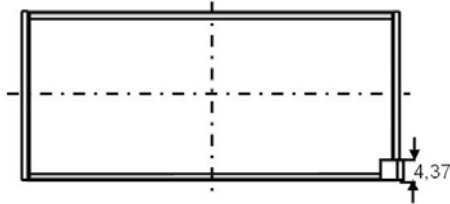
FIAT GROUP

...Continued




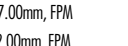
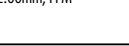
990 82.00 Diesel

									
BE/PL	5	50.787/50.805	53.901/53.913	19.500	1.534	0.030/0.080	EC	71-3958	71-3958/5 .010
BE/PL	1	50.787/50.805	53.901/53.913	19.500	1.534	0.030/0.080	EC	71-3994	71-3994 STD 0.25

71-3994



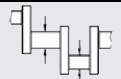
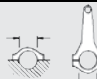










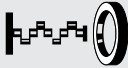



MB/HL 1-6	6	59.986/60.000	63.705/63.718	20.750	1.844	0.031/0.075	BS	4356CP	H1095/6 STD 0.25 0.50
TW/A	2	67.785/68.040	82.425/82.677		2.485		AL-LF	4356AF	A191/2 STD
SE/PB	1		28.939/28.972	21.700			BS	4369Y	55-4159 SEMI



		
	HR397	NA5070  31.00x41.00x7.00mm, FPM NF888  93.00x172.00x12.00mm, FPM

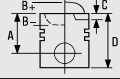
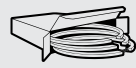
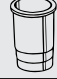

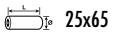
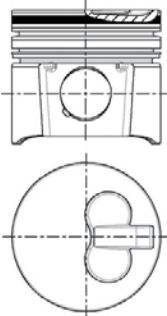



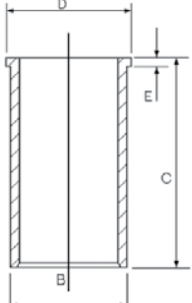
991 82.20 Diesel



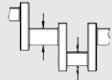
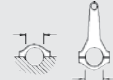





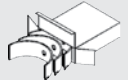
WJY (DW8)	4 Cyl.	23:1	1868cc	51kW (69)PS	TD21266	292
WJY (DW8B)	4 Cyl.	23:1	1868cc	51kW (69)PS	TD22240	293






									
BE/PL	4	49.984/50.000	53.695/53.708	20.050	1.830	0.040/0.090	AL-LF	66725RA	01-4200/4 STD 0.30 0.50
MB/HL 1-5	5	59.981/60.000	63.731/63.750	20.290	1.845	0.040/0.100	AL-LF	66726RA	H1057/5 STD 0.30 0.50
TW/A	2	67.050/67.300	83.050/83.300		2.330		BS	54-3954	A160/4 STD
TW/A	2	67.050/67.300	83.050/83.300		2.330		BS	54-3955	
SE/PB	1	25.007/25.020	27.200/27.221	24.050			BS	66729YA	55-4201 SEMI



		
EA5830 	PB907 14.00x21.00x2.000mm	NA5191  42.00x62.00x7.00mm, PTFE NA5192  90.00x110.00x7.00mm, PTFE

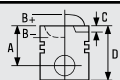
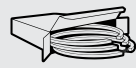

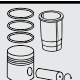




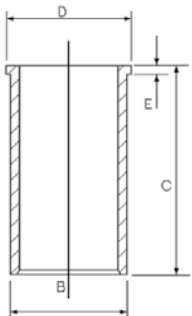


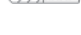
992	 82.20	Diesel	
WJZ (DW8)	4 Cyl.	23:1	1868cc
			51-52kW (69-71)PS
			TD16300 294

			
87-104000-00 STD 87-104008-00 0.60mm A 46.80 B- 1.30 D 78.00  25x65		08-104000-00 STD 08-104008-00 0.60mm 2.00  CK P 2.00  P 3.00  CR P	14-020290-00 D B 85.00 C 154.00 D 87.00 E 5.00 

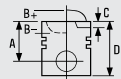


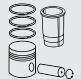
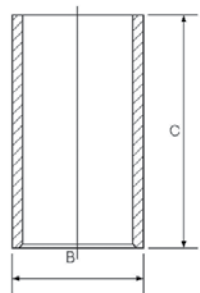
									
BE/PL	4	49.984/50.000	53.695/53.708	20.050	1.830	0.040/0.090	AL-LF	66725RA	01-4200/4 STD 0.30 0.50
MB/HL 1-5	5	59.981/60.000	63.731/63.750	20.290	1.845	0.040/0.100	AL-LF	66726RA	H1057/5 STD 0.30 0.50
TW/A	2	67.050/67.300	83.050/83.300		2.330		BS	54-3954	A160/4 STD
TW/A	2	67.050/67.300	83.050/83.300		2.330		BS	54-3955	
SE/PB	1	25.007/25.020	27.200/27.221	24.050			BS	66729YA	55-4201 SEMI



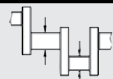







		
EA5830	PB907 14.00x21.00x2.00mm	NA5191  42.00x62.00x7.00mm, PTFE NA5192  90.00x110.00x7.00mm, PTFE


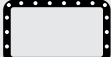
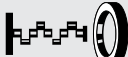
993	 82.60	Diesel	
138 C.000	4 Cyl.	20:1	1698cc
			44kW (60)PS
			TD925 298
149 B4.046	4 Cyl.	20:1	1697cc
			42-44kW (57-60)PS
			TD969 297

			
08-782300-00 STD 08-782308-00 0.60mm eng. →690650 2.50  MOL P 2.00  P 4.00  CR P		14-021551-00 D B 85.66 C 142.00 D 89.00 E 4.50 14-023751-00 D B 87.00 C 154.00 D 89.00 E 4.55 14-785400-00 D B 86.00 C 144.00 D 89.00 E 4.50 	08-785400-00 STD 08-785408-00 0.60mm eng. 690651 → 2.50  MOL P 2.00  P 3.00  CR P

993  **82.60** **Diesel**



			
		<p>14-014730-00 D B 86.09 C 154.00</p> 	

									
BE/PL	4	50.782/50.802	53.897/53.913	19.500	1.537	0.021/0.082	AL-LF	66240RA	01-4175/4 STD 0.25 0.50 0.75 1.00
MB/HL 1,2,4,5	4	52.985/53.005	56.717/56.730	20.750	1.841	0.030/0.088	AL-LF	66316RA	H1043/5 STD 0.25 0.50 0.75
MB/HL 3	1	52.985/53.005	56.717/56.730	24.250	1.841	0.030/0.088	AL-LF	66317RA	
TW/A	2	59.000/59.250	73.600/73.850		2.362		BS	62037AF	A201/2 STD .005
SE/PB	1	25.004/25.010	26.939/26.972	25.400			BS	66644Y	55-4190 SEMI

		
---	---	---

 EV684

JJ298
(Cork)
JJ398



NB742  30.00x43.00x8.00mm, ACM
NB732  74.00x90.00x10.00mm, FPM

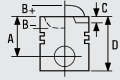
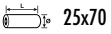
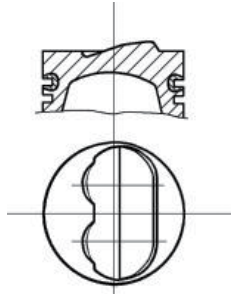
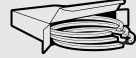



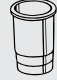
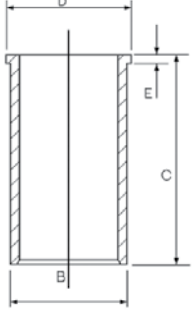

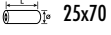
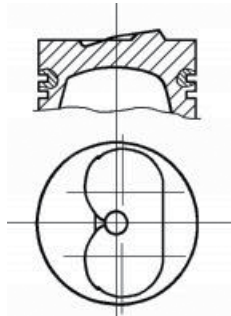



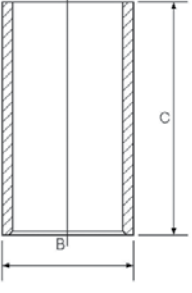




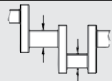







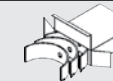
JJ298



JJ398

994	 82.60	Diesel				
146 B2.000	4 Cyl.	20.5:1	1698cc	42-44kW (57-60)PS	TD949	299
149 B3.000	4 Cyl.	20.5:1	1698cc	44kW (60)PS	TD967	301
149 B4.000	4 Cyl.	20:1	1697cc	42-45kW (57-61)PS	TD968	296
176 B3.000	4 Cyl.	20.5:1	1698cc	42kW (57)PS	TD9477	304



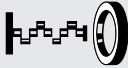


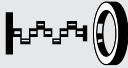
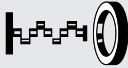
 <p>87-782300-00 87-782308-00 eng. →690650</p> <p>A 42.60 B+ 2.40 D 81.80  25x70</p> <p>RT</p>	 <p>STD 0.60mm</p>	 <p>08-782300-00 STD 08-782308-00 0.60mm eng. →690650</p> <p>2.50  MOL P 2.00  P 4.00  CR P</p>	 <p>14-021551-00 D B 85.66 C 142.00 D 89.00 E 4.50 14-023751-00 D B 87.00 C 154.00 D 89.00 E 4.55 14-785400-00 D B 86.00 C 144.00 D 89.00 E 4.50</p> 	
<p>87-785400-00 87-785408-00</p> <p>A 42.60 B+ 2.50 D 75.80  25x70</p> <p>RT</p>	 <p>STD 0.60mm</p>	<p>08-785400-00 STD 08-785408-00 0.60mm eng. 690651→</p> <p>2.50  MOL P 2.00  P 3.00  CR P</p>	<p>14-014730-00 D B 86.09 C 154.00</p> 	

										
BE/PL	4	50.782/50.802	53.897/53.913	19.500	1.537	0.021/0.082	AL-LF	66240RA	01-4175/4 STD 0.25 0.50 0.75 1.00	
MB/HL 1,2,4,5	4	52.985/53.005	56.717/56.730	20.750	1.841	0.030/0.088	AL-LF	66316RA	H1043/5 STD 0.25 0.50 0.75	
MB/HL 3	1	52.985/53.005	56.717/56.730	24.250	1.841	0.030/0.088	AL-LF	66317RA		
TW/A	2	59.000/59.250	73.600/73.850		2.362		BS	62037AF	A201/2 STD .005	
SE/PB	1	25.004/25.010	26.939/26.972	25.400			BS	66644Y	55-4190 SEMI	

FIAT GROUP



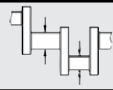
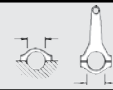




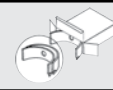
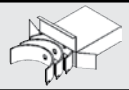
...Continued



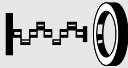

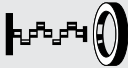
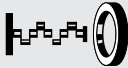
994 82.60 Diesel

		
EV684	JJ298 (Cork) JJ398   JJ298 JJ398	NB742  30.00x43.00x8.00mm, ACM NB732  74.00x90.00x10.00mm, FPM

995 82.60 Diesel

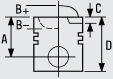
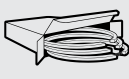

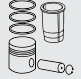

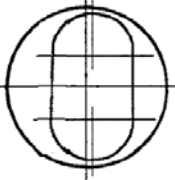




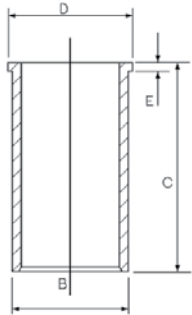
149 B2.000 4 Cyl. 20:1 1697cc 42kW (57)PS TD16864 295

									
BE/PL	4	50.782/50.802	53.897/53.913	19.500	1.537	0.021/0.082	AL-LF	66240RA	01-4175/4 STD 0.25 0.50 0.75 1.00
MB/HL 1,2,4,5	4	52.985/53.005	56.717/56.730	20.750	1.841	0.030/0.088	AL-LF	66316RA	H1043/5 STD 0.25 0.50 0.75
MB/HL 3	1	52.985/53.005	56.717/56.730	24.250	1.841	0.030/0.088	AL-LF	66317RA	
TW/A	2	59.000/59.250	73.600/73.850		2.362		BS	62037AF	A201/2 STD .005
SE/PB	1	25.004/25.010	26.939/26.972	25.400			BS	66644Y	55-4190 SEMI

		
EV684	JJ298 (Cork)  JJ298	NB742  30.00x43.00x8.00mm, ACM NB732  74.00x90.00x10.00mm, FPM

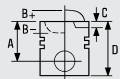
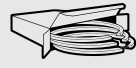
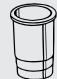

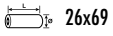



996 82.60 Diesel



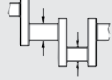
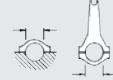






146 D7.000 4 Cyl. 20:1 1698cc 46kW (63)PS Turbocharged TD9472 300



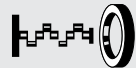


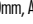

			
87-783800-00 87-783808-00 STD 0.60mm   A 42.80 B+ 2.60 D 78.60  26x69 AK RT	08-783800-00 STD 08-783808-00 0.60mm 3.00  MOL P 2.00  P 3.00  CR P	14-021551-00 D B 85.66 C 142.00 D 89.00 E 4.50 	



...Continued

996  **82.60** **Diesel**

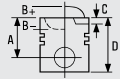
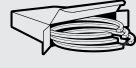
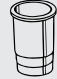

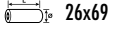



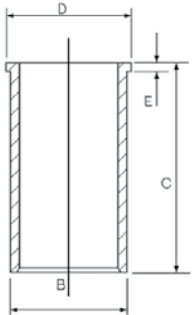
			
87-783800-30 87-783808-30 STD 0.60mm A 42.40 B+ 2.50 D 76.00  26x69 HA RT	08-783800-00 STD 08-783808-00 0.60mm 3.00  MOL P 2.00  P 3.00  CR P		

									
BE/PL	4	50.787/50.807	53.901/53.913	19.500	1.534	0.028/0.083	BS	4350CP	71-4157/4 STD 0.25 0.50
MB/HL 1,2,4,5	4	52.990/53.010	56.717/56.735	20.750	1.843	0.020/0.080	BS	4128CP	H1084/5 STD 0.25 0.50
MB/HL 3	1	52.990/53.010	56.717/56.735	24.250	1.843	0.020/0.080	BS	4129CP	
TW/A	2	59.000/59.250	73.600/73.850		2.362		BS	62037AF	A201/2 STD .005
SE/PB	1	25.500/25.640	27.939/27.972	23.800			BS	66644YB	55-4233 SEMI

		
EV684	JJ298 (Cork) →Eng.9185 JJ398 Eng.9186 →  JJ298  JJ398	NB742  30.00x43.00x8.00mm, ACM NB732  74.00x90.00x10.00mm, FPM

997  **82.60** **Diesel** 

176 A3.000 4 Cyl. 20.3:1 1698cc **51-53kW (69-72)PS** **Turbocharged** **TD1033** **302**

			
87-783800-10 87-783808-10 STD 0.60mm A 43.00 B+ 2.30 D 76.00  26x69 AK HA RT	08-783800-00 STD 08-783808-00 0.60mm 3.00  MOL P 2.00  P 3.00  CR P	14-021551-00 D B 85.66 C 142.00 D 89.00 E 4.50 	

FIAT GROUP

...Continued




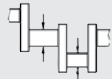
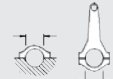






997		82.60		Diesel					
BE/PL	4	50.787/50.807	53.901/53.913	19.500	1.534	0.028/0.083	BS	4350CP	71-4157/4 STD 0.25 0.50
MB/HL 1,2,4,5	4	52.990/53.010	56.717/56.735	20.750	1.843	0.020/0.080	BS	4128CP	H1084/5 STD 0.25 0.50
MB/HL 3	1	52.990/53.010	56.717/56.735	24.250	1.843	0.020/0.080	BS	4129CP	
TW/A	2	59.000/59.250	73.600/73.850		2.362		BS	62037AF	A201/2 STD .005
SE/PB	1	25.500/25.640	27.939/27.972	23.800			BS	66644YB	55-4233 SEMI








EV684	JJ298 (Cork) JJ398	NB742 30.00x43.00x8.00mm, ACM NB732 74.00x90.00x10.00mm, FPM
	 JJ298	 JJ398




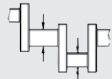
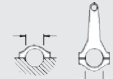






998		82.60		Diesel					
176 A5.000	4 Cyl.	19.1:1	1698cc	52-59kW (71-80)PS	Turbocharged	TD1035	303		
176 B7.000	4 Cyl.	19.1:1	1698cc	46-47kW (63-64)PS	Turbocharged	TD5493	302		

87-783800-00 87-783808-00 STD 0.60mm	08-783800-00 08-783808-00 STD 0.60mm	14-021551-00 D B 85.66 C 142.00 D 89.00 E 4.50
A 42.80 B+ 2.60 D 78.60 26x69 AK RT	3.00 MOL P 2.00 P 3.00 CR P	
87-783800-30 87-783808-30 STD 0.60mm	08-783800-00 08-783808-00 STD 0.60mm	
A 42.40 B+ 2.50 D 76.00 26x69 HA RT	3.00 MOL P 2.00 P 3.00 CR P	

...Continued

998		 82.60		Diesel					
									
BE/PL	4	50.787/50.807	53.901/53.913	19.500	1.534	0.028/0.083	BS	4350CP	71-4157/4 STD 0.25 0.50
MB/HL 1,2,4,5	4	52.990/53.010	56.717/56.735	20.750	1.843	0.020/0.080	BS	4128CP	H1084/5 STD 0.25 0.50
MB/HL 3	1	52.990/53.010	56.717/56.735	24.250	1.843	0.020/0.080	BS	4129CP	
TW/A	2	59.000/59.250	73.600/73.850		2.362		BS	62037AF	A201/2 STD .005
SE/PB	1	25.500/25.640	27.939/27.972	23.800			BS	66644YB	55-4233 SEMI

		
EV684	JJ298 (Cork) JJ398	NB742  30.00x43.00x8.00mm, ACM NB732  74.00x90.00x10.00mm, FPM
	 JJ298	 JJ398

999		 82.60		Diesel					
178 C9.066		4 Cyl.	20.3:1	1698cc	46-52kW (63-71)PS		Turbo Intercooled		TD23865
									
BE/PL	4	50.787/50.807	53.901/53.913	19.500	1.534	0.028/0.083	BS	4350CP	71-4157/4 STD 0.25 0.50
MB/HL 1,2,4,5	4	52.990/53.010	56.717/56.735	20.750	1.843	0.020/0.080	BS	4128CP	H1084/5 STD 0.25 0.50
MB/HL 3	1	52.990/53.010	56.717/56.735	24.250	1.843	0.020/0.080	BS	4129CP	
TW/A	2	59.000/59.250	73.600/73.850		2.362		BS	62037AF	A201/2 STD .005
SE/PB	1	25.500/25.640	27.939/27.972	23.800			BS	66644YB	55-4233 SEMI

1000

82.60

Diesel



831 D.000 4 Cyl. 21:1 1911cc 48kW (65)PS TD1813 305

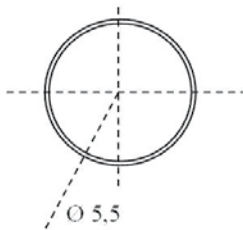
	<p>08-783800-00 STD 08-783808-00 0.60mm</p> <p>3.00 MOL P 2.00 P 3.00 CR P</p>	<p>14-021311-00 D B 86.06 C 154.00 D 89.00 E 4.50 14-023751-00 D B 87.00 C 154.00 D 89.00 E 4.55</p>	

BE/PL	4	50.787/50.807	53.892/53.910	19.500	1.537	0.020/0.070	BS	1040CP	71-4118/4 STD 0.25 0.50

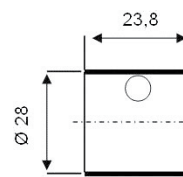
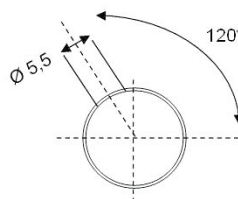
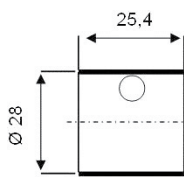
→02/89

MB/HL 1,2,4,5	4	52.990/53.010	56.717/56.735	20.750	1.843	0.020/0.080	BS	4128CP	H1084/5 STD 0.25 0.50
MB/HL 3	1	52.990/53.010	56.717/56.735	24.250	1.843	0.020/0.080	BS	4129CP	
TW/A	2	59.000/59.250	73.600/73.850		2.362		BS	62037AF	A201/2 STD .005
SE/PB	1	25.004/25.010	26.939/26.972	25.400			BS	66644Y	55-4190 SEMI
SE/PB	1	26.004/26.010	27.939/27.972	25.400			BS	66644YA	55-4232 SEMI
SE/PB	1	25.500/25.640	27.939/27.972	23.800			BS	66644YB	55-4233 SEMI

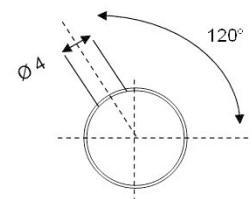
66644Y



66644YA



66644YB



--	--	--

EV684

JJ298

(Cork)

JJ398



JJ298



JJ398

NB742 30.00x43.00x8.00mm, ACM

NB732 74.00x90.00x10.00mm, FPM

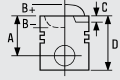
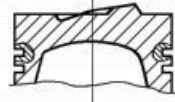
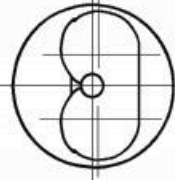
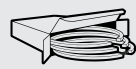

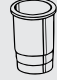
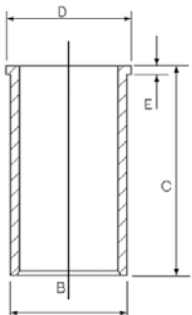
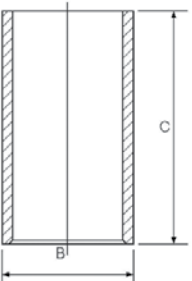

1001



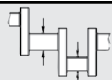
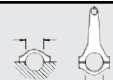





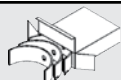
82.60





Diesel



149 A1.000	4 Cyl.	21:1	1929cc	48kW (65)PS	TD4378	306
149 B1.000	4 Cyl.	21:1	1929cc	51-52kW (70-71)PS	TD963	307
160 A7.000	4 Cyl.	21:1	1929cc	48kW (65)PS	TD1023	313

 <p>87-785400-00 87-785408-00</p> <p>STD 0.60mm</p>  <p>A 42.60 B+ 2.50 D 75.80 E 25x70</p> <p>RT</p> 	 <p>08-785400-00 STD 08-785408-00 0.60mm eng. 690651 →</p> <p>2.50 MOL P 2.00 P 3.00 CR P</p> 	 <p>14-021311-00 D B 86.06 C 154.00 D 89.00 E 4.50 14-023560-00 D B 86.00 C 154.00 D 89.00 E 4.50 14-023751-00 D B 87.00 C 154.00 D 89.00 E 4.55</p>  <p>14-014730-00 D B 86.09 C 154.00</p> 	
---	--	--	---

									
BE/PL	4	50.782/50.802	53.897/53.913	19.500	1.537	0.021/0.082	AL-LF	66240RA	01-4175/4 STD 0.25 0.50 0.75 1.00
MB/HL 1,2,4,5	4	52.985/53.005	56.717/56.730	20.750	1.841	0.030/0.088	AL-LF	66316RA	H1043/5 STD 0.25 0.50 0.75
MB/HL 3	1	52.985/53.005	56.717/56.730	24.250	1.841	0.030/0.088	AL-LF	66317RA	
TW/A	2	59.000/59.250	73.600/73.850		2.362		BS	62037AF	A201/2 STD .005
SE/PB	1	25.004/25.010	26.939/26.972	25.400			BS	66644Y	55-4190 SEMI

 <p>EV684</p>	 <p>JJ298 (Cork) JJ398</p>  <p>JJ298 JJ398</p>	 <p>NB742 30.00x43.00x8.00mm, ACM NB732 74.00x90.00x10.00mm, FPM</p>
---	---	---

1002

82.60

Diesel



149 B5.046

4 Cyl.

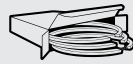
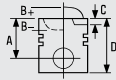
20:1

1929cc

44kW (60)PS

TD9602

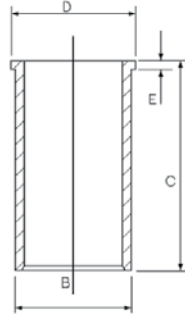
308



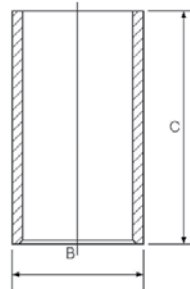
08-785400-00 STD
08-785408-00 0.60mm
 eng. 690651 →



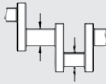
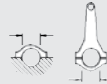





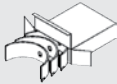
2.50  MOL P
 2.00  P
 3.00  CR P

14-021311-00 D
 B 86.06 C 154.00 D 89.00 E 4.50
14-023560-00 D
 B 86.00 C 154.00 D 89.00 E 4.50
14-023751-00 D
 B 87.00 C 154.00 D 89.00 E 4.55



14-014730-00 D
 B 86.09 C 154.00



									
BE/PL	4	50.787/50.807	53.901/53.913	19.500	1.534	0.028/0.083	BS	4350CP	71-4157/4 STD 0.25 0.50
MB/HL 1,2,4,5	4	52.990/53.010	56.717/56.735	20.750	1.843	0.020/0.080	BS	4128CP	H1084/5 STD 0.25 0.50
MB/HL 3	1	52.990/53.010	56.717/56.735	24.250	1.843	0.020/0.080	BS	4129CP	
TW/A	2	59.000/59.250	73.600/73.850		2.362		BS	62037AF	A201/2 STD .005
SE/PB	1	25.500/25.640	27.939/27.972	23.800			BS	66644YB	55-4233 SEMI



EV684



JJ298
(Cork)
JJ398



JJ298



JJ398



NB742 30.00x43.00x8.00mm, ACM
NB732 74.00x90.00x10.00mm, FPM

1003

82.60

Diesel



154 B.000

4 Cyl.

20:1

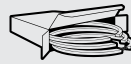
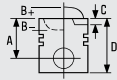
1929cc

68kW (92)PS

Turbo Intercooled

TD21460

309



08-783400-00 STD

2.50 MOL P

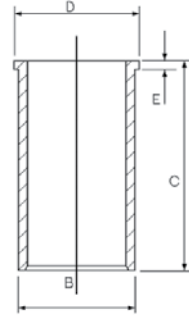
2.00 P

4.00 CR P

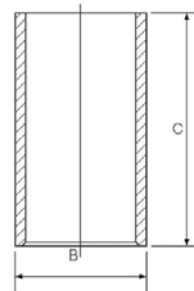
14-021311-00 D
B 86.06 C 154.00 D 89.00 E 4.50

14-023560-00 D
B 86.00 C 154.00 D 89.00 E 4.50

14-023751-00 D
B 87.00 C 154.00 D 89.00 E 4.55



14-014730-00 D
B 86.09 C 154.00



BE/PL	4	50.787/50.807	53.901/53.913	19.500	1.534	0.028/0.083	BS	4350CP	71-4157/4 STD 0.25 0.50
MB/HL 1,2,4,5	4	52.990/53.010	56.717/56.735	20.750	1.843	0.020/0.080	BS	4128CP	H1084/5 STD 0.25 0.50
MB/HL 3	1	52.990/53.010	56.717/56.735	24.250	1.843	0.020/0.080	BS	4129CP	
TW/A	2	59.000/59.250	73.600/73.850		2.362		BS	62037AF	A201/2 STD .005
SE/PB	1	25.500/25.640	27.939/27.972	23.800			BS	66644YB	55-4233 SEMI



JJ298
(Cork)



JJ298

NB742 30.00x43.00x8.00mm, ACM
NB732 74.00x90.00x10.00mm, FPM

1004

82.60

Diesel



154 C6.000

4 Cyl.

18:1

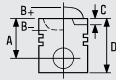
1929cc

66-68kW (90-92)PS

Turbo Intercooled

TD9621

310

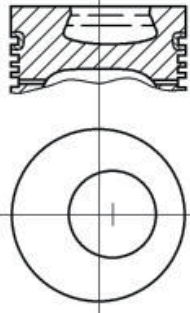


87-783400-00

STD

A 43.00
B- 13.20
BØ 43.50
D 71.00
26x65

AK RT



08-783400-00

STD

2.50 MOL P
2.00 P
4.00 CR P



14-021311-00 D

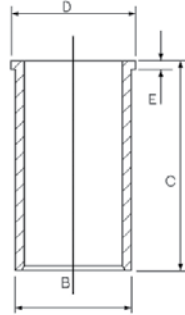
B 86.06 C 154.00 D 89.00 E 4.50

14-023560-00 D

B 86.00 C 154.00 D 89.00 E 4.50

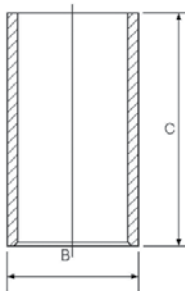
14-023751-00 D

B 87.00 C 154.00 D 89.00 E 4.55



14-014730-00 D

B 86.09 C 154.00





BE/PL	4	50.787/50.807	53.901/53.913	19.500	1.534	0.028/0.083	BS	4350CP	71-4157/4 STD 0.25 0.50
MB/HL 1,2,4,5	4	52.990/53.010	56.717/56.735	20.750	1.843	0.020/0.080	BS	4128CP	H1084/5 STD 0.25 0.50
MB/HL 3	1	52.990/53.010	56.717/56.735	24.250	1.843	0.020/0.080	BS	4129CP	
TW/A	2	59.000/59.250	73.600/73.850		2.362		BS	62037AF	A201/2 STD .005
SE/PB	1	25.500/25.640	27.939/27.972	23.800			BS	66644YB	55-4233 SEMI



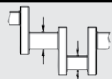





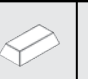






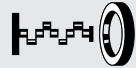


NB742 30.00x43.00x8.00mm, ACM



NB732 74.00x90.00x10.00mm, FPM

1005  **82.60 Diesel** 

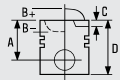

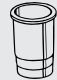

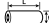

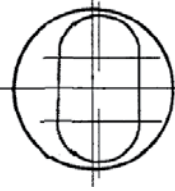





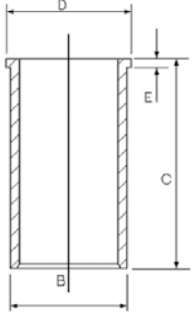

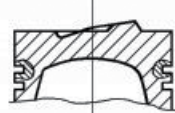
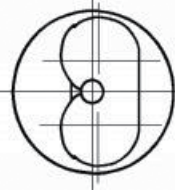





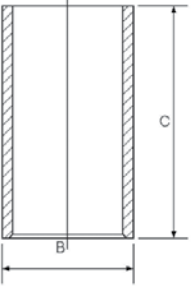
154 D1.000	4 Cyl.	20:1	1929cc	69kW (94)PS	Turbo Intercooled	TD9622	310
------------	--------	------	--------	-------------	-------------------	--------	-----

										
BE/PL	4	50.787/50.807	53.901/53.913	19.500	1.534	0.028/0.083	BS	4350CP	71-4157/4 STD 0.25 0.50	
MB/HL 1,2,4,5	4	52.990/53.010	56.717/56.735	20.750	1.843	0.020/0.080	BS	4128CP	H1084/5 STD 0.25 0.50	
MB/HL 3	1	52.990/53.010	56.717/56.735	24.250	1.843	0.020/0.080	BS	4129CP		
TW/A	2	59.000/59.250	73.600/73.850		2.362		BS	62037AF	A201/2 STD .005	
SE/PB	1	25.500/25.640	27.939/27.972	23.800			BS	66644YB	55-4233 SEMI	

		
		NB742  30.00x43.00x8.00mm, ACM NB732  74.00x90.00x10.00mm, FPM

1006  **82.60 Diesel** 



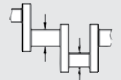
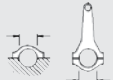






160 A6.000	4 Cyl.	19.2:1	1929cc	66-68kW (90-92)PS	Turbo Intercooled	TD4394	311
160 A6.046	4 Cyl.	19.2:1	1929cc	66kW (90)PS	Turbo Intercooled	TD1022	312
160 B6.046	4 Cyl.		1929cc	59kW (82)PS	Turbo Intercooled	TD1025	314
160 D1.000	4 Cyl.		1929cc	65-66kW (88-90)PS	Turbo Intercooled	TD1026	315

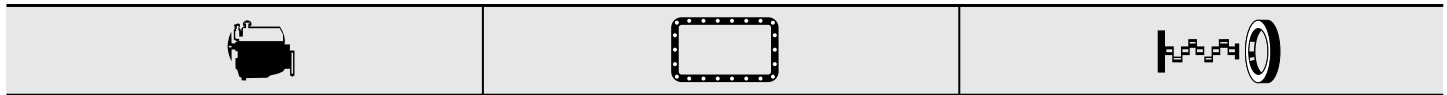
			
<p>87-783800-10 STD</p> <p>87-783808-10 0.60mm</p> <p>A 43.00</p> <p>B+ 2.30</p> <p>D 76.00</p> <p> 26x69</p> <p>AK HA RT</p>  	<p>08-783800-00 STD</p> <p>08-783808-00 0.60mm</p> <p>3.00  MOL P</p> <p>2.00  P</p> <p>3.00  CR P</p>  	<p>14-021311-00 D</p> <p>B 86.06 C 154.00 D 89.00 E 4.50</p> <p>14-023560-00 D</p> <p>B 86.00 C 154.00 D 89.00 E 4.50</p> <p>14-023751-00 D</p> <p>B 87.00 C 154.00 D 89.00 E 4.55</p> 	
<p>87-783800-30 STD</p> <p>87-783808-30 0.60mm</p> <p>A 42.40</p> <p>B+ 2.50</p> <p>D 76.00</p> <p> 26x69</p> <p>HA RT</p>  	<p>08-783800-00 STD</p> <p>08-783808-00 0.60mm</p> <p>3.00  MOL P</p> <p>2.00  P</p> <p>3.00  CR P</p>  	<p>14-014730-00 D</p> <p>B 86.09 C 154.00</p> 	

FIAT GROUP

...Continued



1006 82.60 Diesel

									
BE/PL	4	50.787/50.807	53.901/53.913	19.500	1.534	0.028/0.083	BS	4350CP	71-4157/4 STD 0.25 0.50
MB/HL 1,2,4,5	4	52.990/53.010	56.717/56.735	20.750	1.843	0.020/0.080	BS	4128CP	H1084/5 STD 0.25 0.50
MB/HL 3	1	52.990/53.010	56.717/56.735	24.250	1.843	0.020/0.080	BS	4129CP	
TW/A	2	59.000/59.250	73.600/73.850		2.362		BS	62037AF	A201/2 STD .005
SE/PB	1	26.004/26.010	27.939/27.972	25.400			BS	66644YA	55-4232 SEMI



 EV684

JJ298
(Cork)
JJ398

NB742  30.00x43.00x8.00mm, ACM
NB732  74.00x90.00x10.00mm, FPM



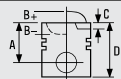



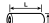
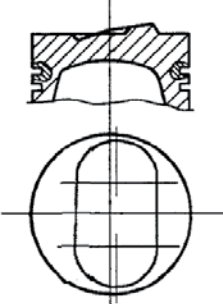


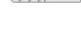
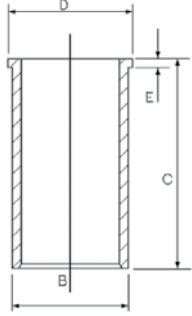
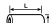
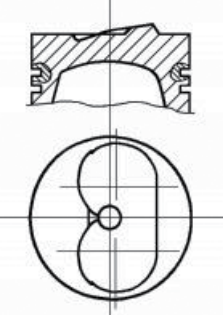



JJ298



JJ398



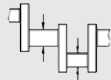







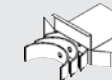
1007 82.60 Diesel

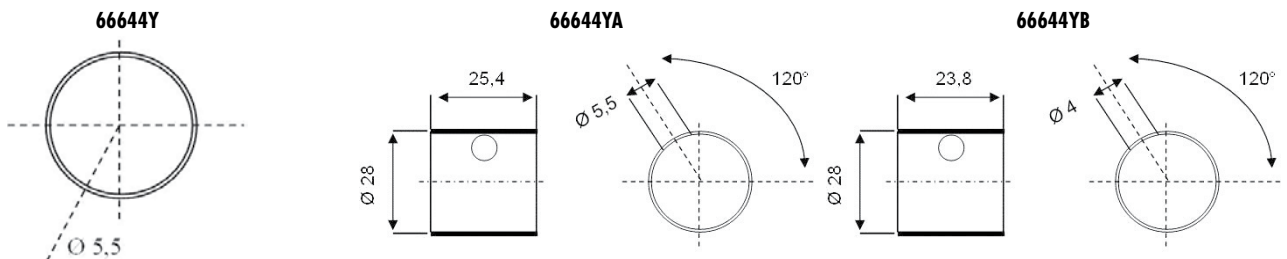
160 D1.000 4 Cyl. 19.2:1 1929cc 66kW (90)PS Turbo Intercooled TD4610 **316**



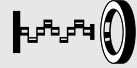



			
<p>87-783800-10 STD</p> <p>87-783808-10 0.60mm</p> <p>A 43.00 B+ 2.30 D 76.00  26x69</p> <p>AK HA RT</p> 	<p>08-783800-00 STD</p> <p>08-783808-00 0.60mm</p> <p>3.00  MOL P 2.00  P 3.00  CR P</p>	<p>14-021311-00 D B 86.06 C 154.00 D 89.00 E 4.50</p> <p>14-023751-00 D B 87.00 C 154.00 D 89.00 E 4.55</p> 	
<p>87-783800-30 STD</p> <p>87-783808-30 0.60mm</p> <p>A 42.40 B+ 2.50 D 76.00  26x69</p> <p>HA RT</p> 	<p>08-783800-00 STD</p> <p>08-783808-00 0.60mm</p> <p>3.00  MOL P 2.00  P 3.00  CR P</p>		



...Continued

1007  **82.60 Diesel**

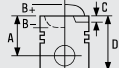
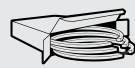
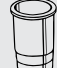
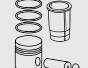
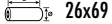

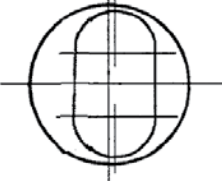
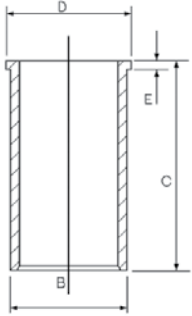
										
MB/HL 1,2,4,5	4	52.990/53.010	56.717/56.735	20.750	1.843	0.020/0.080	BS	4128CP	H1084/5 STD 0.25 0.50	
MB/HL 3	1	52.990/53.010	56.717/56.735	24.250	1.843	0.020/0.080	BS	4129CP		
TW/A	2	59.000/59.250	73.600/73.850		2.362		BS	62037AF	A201/2 STD .005	
SE/PB	1	25.004/25.010	26.939/26.972	25.400			BS	66644Y	55-4190 SEMI	
SE/PB	1	26.004/26.010	27.939/27.972	25.400			BS	66644YA	55-4232 SEMI	
SE/PB	1	25.500/25.640	27.939/27.972	23.800			BS	66644YB	55-4233 SEMI	



		
	JJ298 (Cork)	NB742  30.00x43.00x8.00mm, ACM NB732  74.00x90.00x10.00mm, FPM
		
	JJ298	

1008  **82.60 Diesel** 

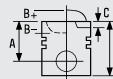


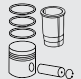
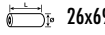

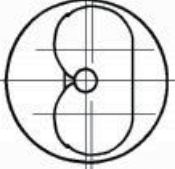



160 D100	4 Cyl.	20:1	1929cc	51kW (69)PS	TD10307 317
----------	--------	------	--------	-------------	--------------------



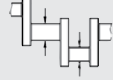
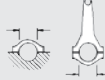





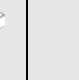

			
87-783800-10 87-783808-10	STD 0.60mm	08-783800-00 08-783808-00	14-021311-00 D
A 43.00 B+ 2.30 D 76.00  26x69		3.00 MOL P 2.00 P 3.00 CR P	B 86.06 C 154.00 D 89.00 E 4.50
AK HA RT			



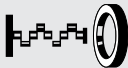



FIAT GROUP

...Continued

1008

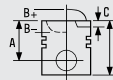



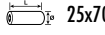
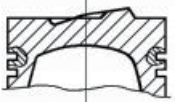
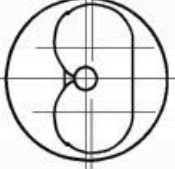
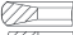


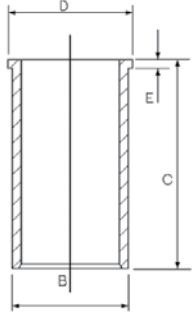
			
87-783800-30 87-783808-30 STD 0.60mm A 42.40 B+ 2.50 D 76.00  26x69 HA RT	 	08-783800-00 08-783808-00 STD 0.60mm 3.00  MOL P 2.00  P 3.00  CR P	

										
BE/PL	4	50.782/50.802	53.897/53.913	19.500	1.537	0.021/0.082	AL-LF	66240RA	01-4175/4 STD 0.25 0.50 0.75 1.00	
MB/HL 1,2,4,5	4	52.985/53.005	56.717/56.730	20.750	1.841	0.030/0.088	AL-LF	66316RA	H1043/5 STD 0.25 0.50 0.75	
MB/HL 3	1	52.985/53.005	56.717/56.730	24.250	1.841	0.030/0.088	AL-LF	66317RA		
TW/A	2	59.000/59.250	73.600/73.850		2.362		BS	62037AF	A201/2 STD .005	
SE/PB	1	25.004/25.010	26.939/26.972	25.400			BS	66644Y	55-4190 SEMI	

		
	JJ298 (Cork)  JJ298	NB742  30.00x43.00x8.00mm, ACM NB732  74.00x90.00x10.00mm, FPM

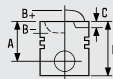
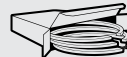


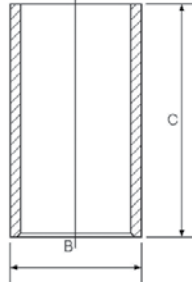
1009



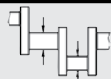







230 A2.000 4 Cyl. 20:1 1929cc 51kW (70)PS TD862 318

			
87-785400-00 87-785408-00 STD 0.60mm A 42.60 B+ 2.50 D 75.80  25x70 RT	 	08-785400-00 08-785408-00 STD 0.60mm eng. 690651 → 2.50  MOL P 2.00  P 3.00  CR P	14-021311-00 D B 86.06 C 154.00 D 89.00 E 4.50 14-023560-00 D B 86.00 C 154.00 D 89.00 E 4.50 14-023751-00 D B 87.00 C 154.00 D 89.00 E 4.55 

...Continued

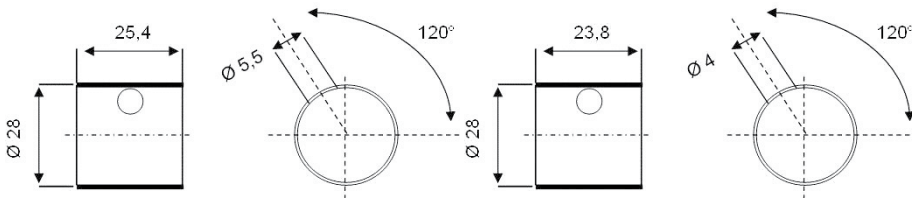
1009  **82.60** Diesel




			
		<p>14-014730-00 D B 86.09 C 154.00</p> 	

									
BE/PL	4	50.787/50.807	53.901/53.913	19.500	1.534	0.028/0.083	BS	4350CP	71-4157/4 STD 0.25 0.50
MB/HL 1,2,4,5	4	52.985/53.005	56.717/56.730	20.750	1.841	0.030/0.088	AL-LF	66316RA	H1043/5 STD 0.25 0.50 0.75
MB/HL 3	1	52.985/53.005	56.717/56.730	24.250	1.841	0.030/0.088	AL-LF	66317RA	
TW/A	2	59.000/59.250	73.600/73.850		2.362		BS	62037AF	A201/2 STD .005
SE/PB	1	26.004/26.010	27.939/27.972	25.400			BS	66644YA	55-4232 SEMI
SE/PB	1	25.500/25.640	27.939/27.972	23.800			BS	66644YB	55-4233 SEMI

66644YA

66644YB



		
---	---	---

EV684

JJ298

(Cork)


JJ398



JJ298



JJ398

NB742  30.00x43.00x8.00mm, ACM

NB732  74.00x90.00x10.00mm, FPM

1010

82.60

Diesel



230 A3.000	4 Cyl.	20:1	1929cc	60kW (82)PS	Turbocharged	TD5481	319
230 A4.000 Euro 2	4 Cyl.	19:1	1929cc	59kW (80)PS	Turbocharged	TD4407	319
280 A1.000	4 Cyl.	20:1	1929cc	60kW (82)PS	Turbocharged	TD1043	320

<p>87-783800-10 STD 87-783808-10 0.60mm</p> <p>A 43.00 B+ 2.30 D 76.00 26x69</p> <p>AK HA RT</p>	<p>08-783800-00 STD 08-783808-00 0.60mm</p> <p>3.00 MOL P 2.00 P 3.00 CR P</p>	<p>14-021311-00 D B 86.06 C 154.00 D 89.00 E 4.50 14-023560-00 D B 86.00 C 154.00 D 89.00 E 4.50 14-023751-00 D B 87.00 C 154.00 D 89.00 E 4.55</p>	
<p>87-783800-30 STD 87-783808-30 0.60mm</p> <p>A 42.40 B+ 2.50 D 76.00 26x69</p> <p>HA RT</p>	<p>08-783800-00 STD 08-783808-00 0.60mm</p> <p>3.00 MOL P 2.00 P 3.00 CR P</p>	<p>14-014730-00 D B 86.09 C 154.00</p>	
<p>08-141400-00 STD eng. →0675108</p> <p>3.00 MOL P 2.00 P 4.00 CR P</p>			

BE/PL	4	50.787/50.807	53.901/53.913	19.500	1.534	0.028/0.083	BS	4350CP	71-4157/4 STD 0.25 0.50	
MB/HL 1,2,4,5	4	52.990/53.010	56.717/56.735	20.750	1.843	0.020/0.080	BS	4128CP	H1084/5 STD 0.25 0.50	
MB/HL 3	1	52.990/53.010	56.717/56.735	24.250	1.843	0.020/0.080	BS	4129CP		
TW/A	2	59.000/59.250	73.600/73.850		2.362		BS	62037AF	A201/2 STD .005	
SE/PB	1	26.004/26.010	27.939/27.972	25.400			BS	66644YA	55-4232 SEMI	

<p>EV684</p>	<p>JJ298 (Cork) JJ398</p> <p>JJ298 JJ398</p>	<p>NB742 30.00x43.00x8.00mm, ACM NB732 74.00x90.00x10.00mm, FPM</p>

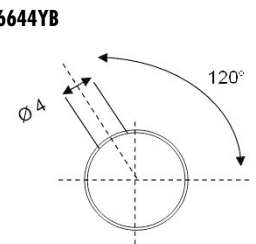
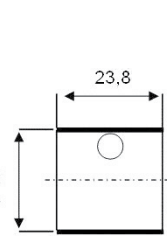
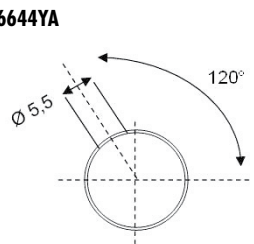
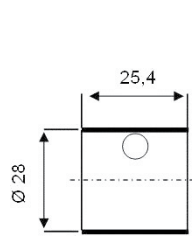
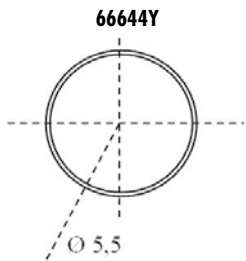
1011	82.60	Diesel	
831 D1.000	4 Cyl.	20:1	1929cc
		48-59kW (55-80)PS	Turbo Intercooled
			TD4607 321

	08-783800-00 STD 08-783808-00 0.60mm 3.00 MOL P 2.00 P 3.00 CR P	14-021311-00 D B 86.06 C 154.00 D 89.00 E 4.50 14-023751-00 D B 87.00 C 154.00 D 89.00 E 4.55	

BE/PL	4	50.787/50.807	53.892/53.910	19.500	1.537	0.020/0.070	BS	1040CP	71-4118/4 STD 0.25 0.50

→02/89

MB/HL 1,2,4,5	4	52.990/53.010	56.717/56.735	20.750	1.843	0.020/0.080	BS	4128CP	H1084/5 STD 0.25 0.50
MB/HL 3	1	52.990/53.010	56.717/56.735	24.250	1.843	0.020/0.080	BS	4129CP	
TW/A	2	59.000/59.250	73.600/73.850		2.362		BS	62037AF	A201/2 STD .005
SE/PB	1	25.004/25.010	26.939/26.972	25.400			BS	66644Y	55-4190 SEMI
SE/PB	1	26.004/26.010	27.939/27.972	25.400			BS	66644YA	55-4232 SEMI
SE/PB	1	25.500/25.640	27.939/27.972	23.800			BS	66644YB	55-4233 SEMI



--	--	--

JJ298 (Cork) JJ398		
JJ298	JJ398	

NB742 30.00x43.00x8.00mm, ACM
NB732 74.00x90.00x10.00mm, FPM



831 D1.000

4 Cyl.

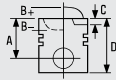
1929cc

59kW (80)PS

Turbocharged

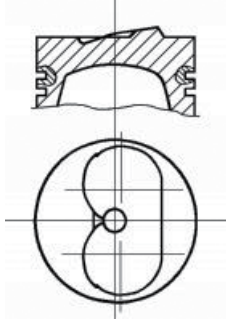
TD4410

322



87-785400-00
87-785408-00

STD
0.60mm



A 42.60
B+ 2.50
D 75.80
25x70

RT

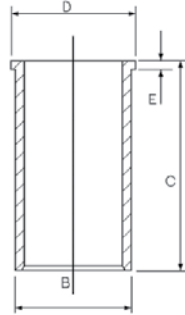


08-785400-00 STD
08-785408-00 0.60mm
eng. 690651 →

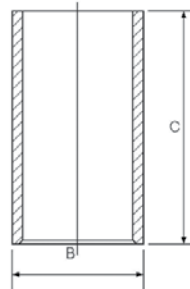
2.50 MOL P
2.00 P
3.00 CR P



14-021311-00 D
B 86.06 C 154.00 D 89.00 E 4.50
14-023560-00 D
B 86.00 C 154.00 D 89.00 E 4.50
14-023751-00 D
B 87.00 C 154.00 D 89.00 E 4.55



14-014730-00 D
B 86.09 C 154.00



BE/PL	4	50.787/50.807	53.892/53.910	19.500	1.537	0.020/0.070	BS	1040CP	71-4118/4 STD 0.25 0.50
MB/HL 1,2,4,5	4	52.990/53.010	56.717/56.735	20.750	1.843	0.020/0.080	BS	4128CP	H1084/5 STD 0.25 0.50
MB/HL 3	1	52.990/53.010	56.717/56.735	24.250	1.843	0.020/0.080	BS	4129CP	
TW/A	2	59.000/59.250	73.600/73.850		2.362		BS	62037AF	A201/2 STD .005
SE/PB	1	25.004/25.010	26.939/26.972	25.400			BS	66644Y	55-4190 SEMI



JJ298
(Cork)
JJ398



JJ298

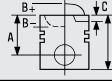
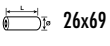
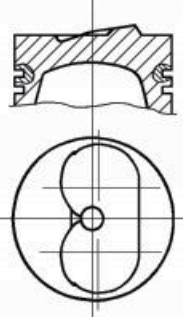



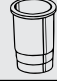
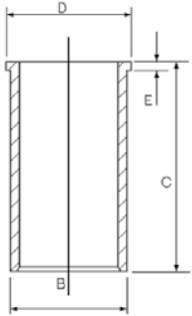





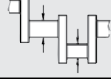
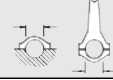





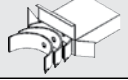
JJ398

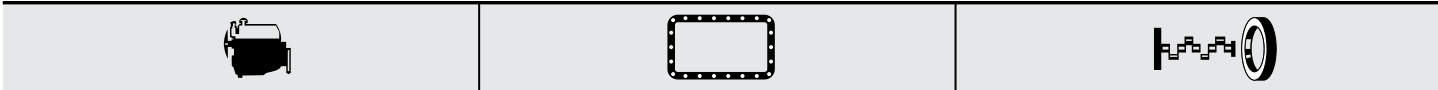
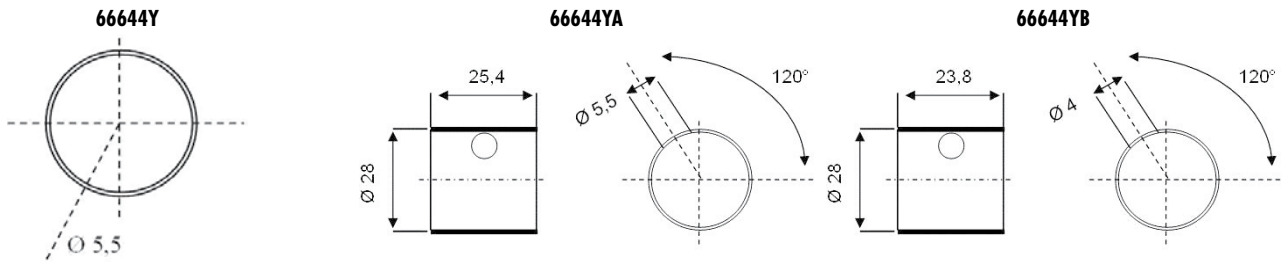
NB742 30.00x43.00x8.00mm, ACM
NB732 74.00x90.00x10.00mm, FPM





1013 82.60 Diesel

835 A4.000	4 Cyl.	19.9:1	1929cc	66kW (90)PS	Turbocharged	TD1846	323
835 A4.046	4 Cyl.	20:1	1929cc	66kW (90)PS	Turbocharged	TD5425	324

 <p>87-783800-30 87-783808-30</p> <p>STD 0.60mm</p> <p>A 42.40 B+ 2.50 D 76.00  26x69</p> <p>HA RT</p>	 <p>08-783800-00 STD 08-783808-00 0.60mm</p> <p>3.00  MOL P 2.00  P 3.00  CR P</p>	 <p>14-021311-00 D B 86.06 C 154.00 D 89.00 E 4.50 14-023751-00 D B 87.00 C 154.00 D 89.00 E 4.55</p> 	
---	--	---	---

									
MB/HL 1,2,4,5	TW/A	SE/PB	SE/PB	SE/PB	SE/PB		BS	4128CP	H1084/5 STD 0.25 0.50
4	2	1	1	1	1	0.020/0.080	BS	4129CP	
1						0.020/0.080	BS	62037AF	A201/2 STD .005
							BS	66644Y	55-4190 SEMI
							BS	66644YA	55-4232 SEMI
							BS	66644YB	55-4233 SEMI



<p>JJ298 (Cork) JJ398</p>  <p>JJ298</p>  <p>JJ398</p>	<p>NB742  30.00x43.00x8.00mm, ACM NB732  74.00x90.00x10.00mm, FPM</p>
---	---

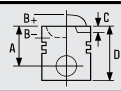
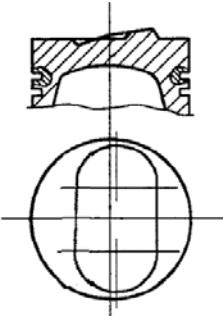
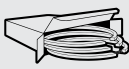
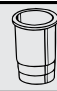
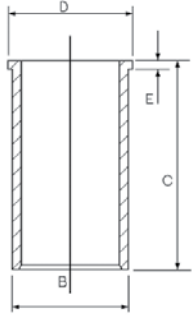
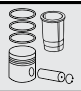
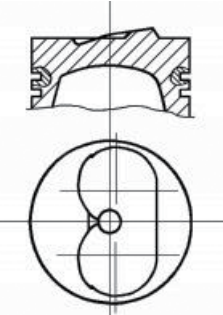
1014



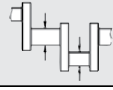
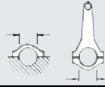




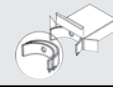
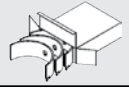
82.60





Diesel




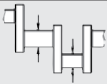
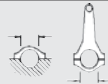






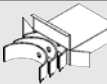





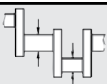
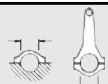






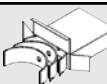
AR 33601	4 Cyl.	19.2:1	1929cc	66-68kW (90-92)PS	Turbo Intercooled	TD5069	325
AR 67501	4 Cyl.	19.2:1	1929cc	66-68kW (90-92)PS	Turbocharged	TD140	326



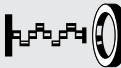

 <p>87-783800-10 87-783808-10</p> <p>STD 0.60mm</p>  <p>A 43.00 B+ 2.30 D 76.00 26x69</p> <p>AK HA RT</p>	 <p>08-783800-00 STD 08-783808-00 0.60mm</p> <p>3.00 MOL P 2.00 P 3.00 CR P</p>	 <p>14-021311-00 D B 86.06 C 154.00 D 89.00 E 4.50</p> 	
<p>87-783800-30 87-783808-30</p> <p>STD 0.60mm</p>  <p>A 42.40 B+ 2.50 D 76.00 26x69</p> <p>HA RT</p>	<p>08-783800-00 STD 08-783808-00 0.60mm</p> <p>3.00 MOL P 2.00 P 3.00 CR P</p>		




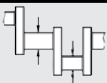
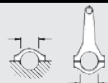







									
BE/PL	4	50.787/50.807	53.901/53.913	19.500	1.534	0.028/0.083	BS	4350CP	71-4157/4 STD 0.25 0.50
MB/HL 1,2,4,5	4	52.990/53.010	56.717/56.735	20.750	1.843	0.020/0.080	BS	4128CP	H1084/5 STD 0.25 0.50
MB/HL 3	1	52.990/53.010	56.717/56.735	24.250	1.843	0.020/0.080	BS	4129CP	
TW/A	2	59.000/59.250	73.600/73.850		2.362		BS	62037AF	A201/2 STD .005
SE/PB	1	26.004/26.010	27.939/27.972	25.400			BS	66644YA	55-4232 SEMI

		
EV684	JJ298 (Cork)	NB742 30.00x43.00x8.00mm, ACM NB732 74.00x90.00x10.00mm, FPM
		
	JJ298	

1015		 82.60	Diesel							
AR 67502		4 Cyl.	19.2:1	1929cc	66-68kW (90-92)PS		Turbo Intercooled		TD21140	
										
BE/PL	4	50.787/50.807	53.901/53.913	19.500	1.534	0.028/0.083	BS	4350CP	71-4157/4 STD 0.25 0.50	
MB/HL 1,2,4,5	4	52.990/53.010	56.717/56.735	20.750	1.843	0.020/0.080	BS	4128CP	H1084/5 STD 0.25 0.50	
MB/HL 3	1	52.990/53.010	56.717/56.735	24.250	1.843	0.020/0.080	BS	4129CP		
TW/A	2	59.000/59.250	73.600/73.850		2.362		BS	62037AF	A201/2 STD .005	
SE/PB	1	26.004/26.010	27.939/27.972	25.400			BS	66644YA	55-4232 SEMI	

1016		 83.00	Diesel							
138 A5.000		4 Cyl.	20:1	1714cc	40-43kW (55-58)PS				TD4358	327
										
BE/PL	4	50.782/50.802	53.897/53.913	19.500	1.537	0.021/0.082	AL-LF	66240RA	01-4175/4 STD 0.25 0.50 0.75 1.00	
MB/HL 1,2,4,5	4	52.985/53.005	56.717/56.730	20.750	1.841	0.030/0.088	AL-LF	66316RA	H1043/5 STD 0.25 0.50 0.75	
MB/HL 3	1	52.985/53.005	56.717/56.730	24.250	1.841	0.030/0.088	AL-LF	66317RA		
TW/A	2	59.000/59.250	73.600/73.850		2.362		BS	62037AF	A201/2 STD .005	
SE/PB	1	25.004/25.010	26.939/26.972	25.400			BS	66644Y	55-4190 SEMI	

		
JJ136		
		
JJ136		

1017		 83.00	Diesel							
138 B5.000		4 Cyl.	20:1	1714cc	40-43kW (54-58)PS				TD23462	
										
BE/PL	4	50.782/50.802	53.897/53.913	19.500	1.537	0.021/0.082	AL-LF	66240RA	01-4175/4 STD 0.25 0.50 0.75 1.00	
MB/HL 1,2,4,5	4	52.985/53.005	56.717/56.730	20.750	1.841	0.030/0.088	AL-LF	66316RA	H1043/5 STD 0.25 0.50 0.75	
MB/HL 3	1	52.985/53.005	56.717/56.730	24.250	1.841	0.030/0.088	AL-LF	66317RA		
TW/A	2	59.000/59.250	73.600/73.850		2.362		BS	62037AF	A201/2 STD .005	
SE/PB	1	25.004/25.010	26.939/26.972	25.400			BS	66644Y	55-4190 SEMI	

FIAT GROUP

1018

83.00

Diesel



138 B6.000

4 Cyl.

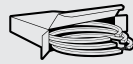
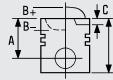
20.5:1

1714cc

43kW (58)PS

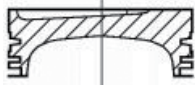
TD922

328



87-215100-10
87-215108-10

STD
0.60mm

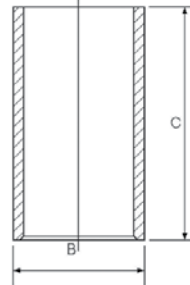


08-215100-10 STD
08-215108-10 0.60mm
08-215110-10 0.80mm

2.50
2.00
4.00



14-014720-00 D
B 86.00 C 150.50



A 45.90
B- 2.80
D 85.00
 25x71

RT

BE/PL	4	50.782/50.802	53.897/53.913	19.500	1.537	0.021/0.082	AL-LF	66240RA	01-4175/4 STD 0.25 0.50 0.75 1.00	
MB/HL 1,2,4,5	4	52.985/53.005	56.717/56.730	20.750	1.841	0.030/0.088	AL-LF	66316RA	H1043/5 STD 0.25 0.50 0.75	
MB/HL 3	1	52.985/53.005	56.717/56.730	24.250	1.841	0.030/0.088	AL-LF	66317RA		
TW/A	2	59.000/59.250	73.600/73.850		2.362		BS	62037AF	A201/2 STD .005	
SE/PB	1	25.004/25.010	26.939/26.972	25.400			BS	66644Y	55-4190 SEMI	

	JJ136	NB818 40.00x56.00x7.00mm, ACM NB732 74.00x90.00x10.00mm, FPM
		JJ136

1019

83.00

Petrol



939 B1.000

4 Cyl.

9.5:1

1742cc

147kW (200)PS

Turbocharged

TD22716

329

939 B1.000

4 Cyl.

9.5:1

1742cc

147kW (200)PS







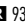
Turbocharged



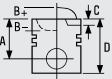

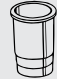
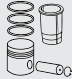



TD24691



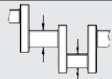






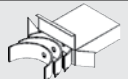
329








BE/PL	4	48.226/48.244	51.354/51.366	19.100	1.540	0.030/0.056	EC-LF	71-4776	71-4776/4 STD [23]	
MB/HL 1-5	5		56.705/56.718	20.750	1.861		AL-LF	02-4777	H1293/5 STD	
TW/A	2	59.000/59.260	73.600/73.850		2.485		AL-LF	04-4778	A291/2 STD	
SE/PB	1	26.000	28.939/28.972	22.100			BS-LF	55-4779	55-4779 SEMI	

		NA5070 31.00x41.00x7.00mm, FPM NF888 93.00x172.00x12.00mm, FPM

1020	 83.00	Petrol					
940 A1.000	4 Cyl.	9.25:1	1742cc	173-177kW (235-241)PS	Turbo Intercooled	TD23922	329
							
		NA5070  31.00x41.00x7.00mm, FPM	NF888  93.00x172.00x12.00mm, FPM				

1021	 83.00	Petrol					
LFW	4 Cyl.	9.5:1	1761cc	73kW (99)PS		TD10167	330
							
	08-323400-00 STD						
	1.50  P PS						
	1.50  P						
	3.00  CR P						

									
BE/PL	4	44.975/44.991	48.655/48.671	22.500	1.825	0.020/0.070	AL	4300RA	01-4155/4 STD 0.30
MB/HL	5	59.990/60.000	63.718/63.727	20.290	1.845	0.028/0.072	AL-LF	66721RA	H1074/5 STD 0.30
MB/HL	5	59.990/60.000	63.718/63.727	20.290	1.845	0.028/0.072	AL-LF	66722RA	
TW/A	4	67.050/67.300	83.050/83.300		2.330		BS	66721BF	A214/4 STD 0.10



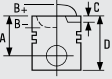

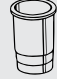

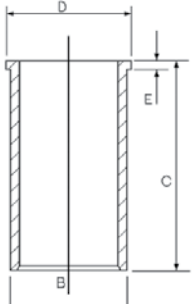


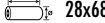

			
 EL650	JJ283 [20] —PB907 14.00x21.00x2.000mm	NA5191  42.00x62.00x7.00mm, PTFE NA5192  90.00x110.00x7.00mm, PTFE	
			
	JJ283		

[20] Oil Pan Material: Steel

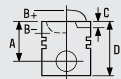


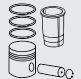



[20] Matériel pour carter d'huile: acier



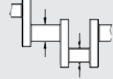
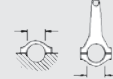





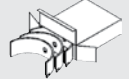
[20] Materiale coppa olio: Acciaio

[20] Material cárter: Acero

1022	 83.00	Diesel				
D8B	4 Cyl.	1905cc	68kW (92)PS	Turbocharged	TD6828	331
						
87-105500-00 STD	08-105500-00 STD	14-020530-00 D				
87-105507-00 0.50mm	08-105507-00 0.50mm	B 85.60 C 153.50 D 88.50 E 3.90				
	08-105510-00 0.80mm					
A 46.75	01/97 →					
B- 3.50	3.00  CK					
D 75.00	2.00  NT					
 28x68	3.00  CR P					
AK HA RT TP						

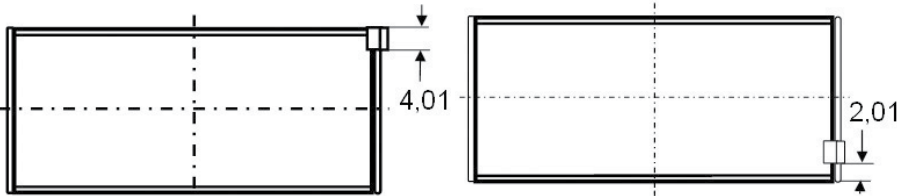
1022  **83.00** **Diesel**

			
	08-325500-00 STD 08-325507-00 0.50mm →12/96 3.50  MOL P 2.00  P 3.00  CR P		



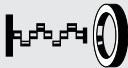




									
BE/PL	4	49.984/50.000	53.695/53.708	20.000	1.838	0.039/0.073	EC	71-3730	71-3730/4 STD 0.30
BE/PL	4	49.984/50.000	53.695/53.708	20.000	1.838	0.020/0.073	EC	71-3899	71-3899/4 STD 0.30

71-3730

71-3899

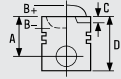

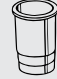
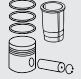





MB/HL 1-5	5	59.981/60.000	63.731/63.750	20.290	1.845	0.040/0.100	AL-LF	66726RA	H1057/5 STD 0.30 0.50
TW/A	4	67.050/67.300	83.050/83.300		1.880		AL-LF	4141AF	A188/4 STD
SE/PB	1	28.007/28.020	30.200/30.221	23.100			BS	41450.500	55-4499 SEMI

		
 EL890	JJ283 [20] 	NA5191  42.00x62.00x7.00mm, PTFE NA5192  90.00x110.00x7.00mm, PTFE
[20] Oil Pan Material: Steel	[20] Matériel pour carter d'huile: acier	[20] Materiale coppa olio: Acciaio

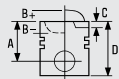
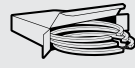
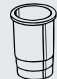




1023  **83.00** **Diesel**



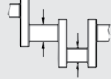
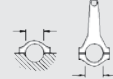






D8B (XUD9TE)	4 Cyl.	21.8:1	1905cc	66-69kW (90-94)PS	Turbo Intercooled	TD21263	332
DHX (XUD9TE)	4 Cyl.	21.8:1	1905cc	66-69kW (90-94)PS	Turbo Intercooled	TD21264	335

			
	08-105500-00 STD 08-105507-00 0.50mm 08-105510-00 0.80mm 01/97→ 3.00  CK 2.00  NT 3.00  CR P		

...Continued

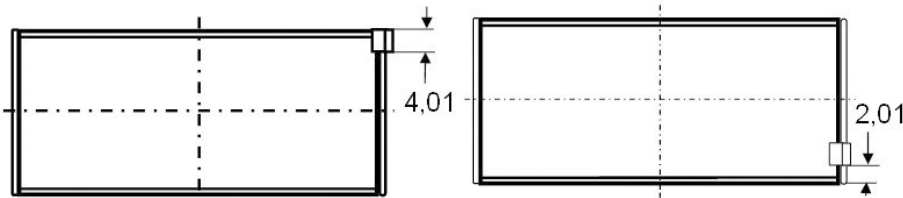
1023  **83.00 Diesel**

			
	08-325500-00 STD 08-325507-00 0.50mm →12/96 3.50  MOL P 2.00  P 3.00  CR P		

									
BE/PL	4	49.984/50.000	53.695/53.708	20.000	1.838	0.039/0.073	EC	71-3730	71-3730/4 STD 0.30
BE/PL	4	49.984/50.000	53.695/53.708	20.000	1.838	0.020/0.073	EC	71-3899	71-3899/4 STD 0.30

71-3730

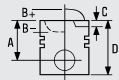
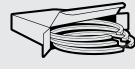
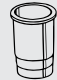

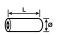



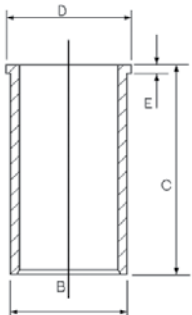
71-3899



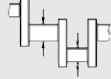
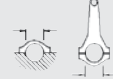








MB/HL 1-5	5	59.981/60.000	63.731/63.750	20.290	1.845	0.040/0.100	AL-LF	66726RA	H1057/5 STD 0.30 0.50
TW/A	4	67.050/67.300	83.050/83.300		1.880		AL-LF	4141AF	A188/4 STD
SE/PB	1	28.007/28.020	30.200/30.221	23.100			BS	41450.500	55-4499 SEMI



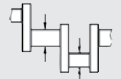
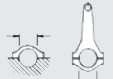






1024  **83.00 Diesel** 

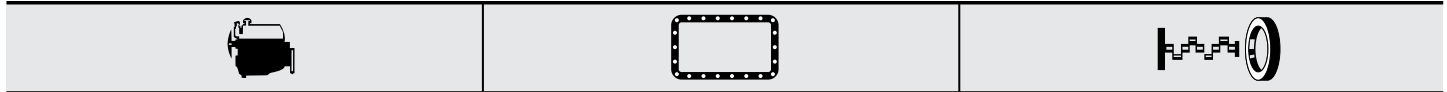
D9B 4 Cyl. 1905cc 50-51kW (68-69)PS TD6827 333

			
87-152000-10 STD 87-152007-10 0.50mm 87-152010-10 0.80mm A 46.80 B- 2.20 D 84.30  25x72	08-152000-00 STD 08-152003-00 0.125mm 08-152007-00 0.50mm 08-152010-00 0.80mm 8-152011-00 1.00mm 2.00  CR P 2.00  P 3.00  CR P	14-020530-00 D B 85.60 C 153.50 D 88.50 E 3.90 	88-152000-30 87-152000-10 + 14-020530-00

									
BE/PL	4	49.984/50.000	53.695/53.708	20.050	1.830	0.040/0.090	AL-LF	66725RA	01-4200/4 STD 0.30 0.50
MB/HL 1-5	5	59.981/60.000	63.731/63.750	20.290	1.845	0.040/0.100	AL-LF	66726RA	H1057/5 STD 0.30 0.50



1024 83.00 Diesel

									
TW/A	4	67.050/67.300	83.050/83.300		2.330		BS	667218F	A214/4 STD 0.10
SE/PB	1	25.007/25.020	27.200/27.221	24.050			BS	66729YA	55-4201 SEMI



EL890

JJ283 [20]
=PA349
22.00x16.00x2.000mm

NA5191  42.00x62.00x7.00mm, PTFE
NA5192  90.00x110.00x7.00mm, PTFE



JJ283

[20] Oil Pan Material: Steel

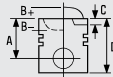
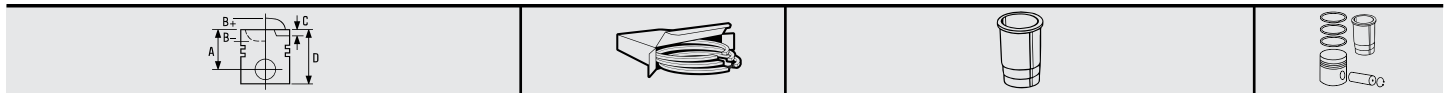
[20] Matériel pour carter d'huile: acier

[20] Materiale coppa olio: Acciaio

[20] Material cárter: Acero

1025 83.00 Diesel

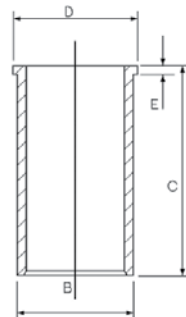
D9B (XUD9A) 4 Cyl. 23:1 1905cc 47-52kW (64-71)PS TD21265 334



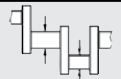
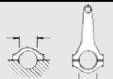








08-152000-00 STD
08-152003-00 0.125mm
08-152007-00 0.50mm
08-152010-00 0.80mm
08-152011-00 1.00mm

2.00  CR P
2.00  P
3.00  CR P

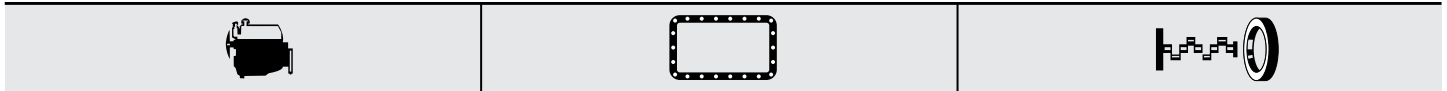
14-020530-00 D
B 85.60 C 153.50 D 88.50 E 3.90






									
BE/PL	4	49.984/50.000	53.695/53.708	20.050	1.830	0.040/0.090	AL-LF	66725RA	01-4200/4 STD 0.30 0.50
MB/HL 1-5	5	59.981/60.000	63.731/63.750	20.290	1.845	0.040/0.100	AL-LF	66726RA	H1057/5 STD 0.30 0.50
TW/A	4	67.050/67.300	83.050/83.300		1.880		AL-LF	4141AF	A188/4 STD
SE/PB	1	25.007/25.020	27.200/27.221	24.050			BS	66729YA	55-4201 SEMI

...Continued

1025  **83.00** **Diesel**

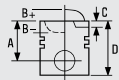
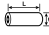
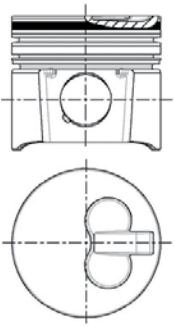
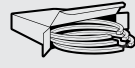






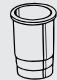
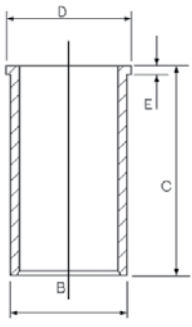
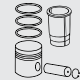




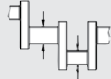
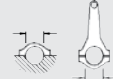






<p>EL890</p>	<p>JJ283 [20] PA349 22.00x16.00x2.00mm</p>  <p>JJ283</p>	<p>NA5191  42.00x62.00x7.00mm, PTFE NA5192  90.00x110.00x7.00mm, PTFE</p>
---------------------	--	--

[20] Oil Pan Material: Steel [20] Matériel pour carter d'huile: acier [20] Materiale coppa olio: Acciaio [20] Material cárter: Acero

1026  **83.00** **Diesel**

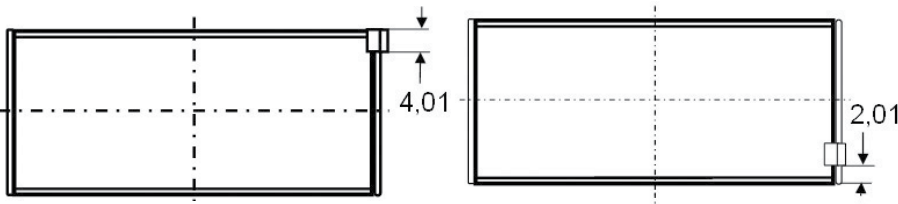
DHX (XUD9TF/L) 4 Cyl. 21.8:1 1905cc **66-68kW (90-92)PS** **Turbo Intercooled** **TD4352** **336**

 <p>87-105500-00 STD 87-105507-00 0.50mm</p> <p>A 46.75 B- 3.50 D 75.00  28x68</p> <p>AK HA RT TP</p> 	 <p>08-105500-00 STD 08-105507-00 0.50mm 08-105510-00 0.80mm 01/97 →</p> <p>3.00  CK 2.00  NT 3.00  CR P</p> <p>08-325500-00 STD 08-325507-00 0.50mm →12/96</p> <p>3.50  MOL P 2.00  P 3.00  CR P</p>	 <p>14-020530-00 D B 85.60 C 153.50 D 88.50 E 3.90</p> 	
--	--	--	---

									
BE/PL	4	49.984/50.000	53.695/53.708	20.000	1.838	0.039/0.073	EC	71-3730	71-3730/4 STD 0.30
BE/PL	4	49.984/50.000	53.695/53.708	20.000	1.838	0.020/0.073	EC	71-3899	71-3899/4 STD 0.30

71-3730

71-3899

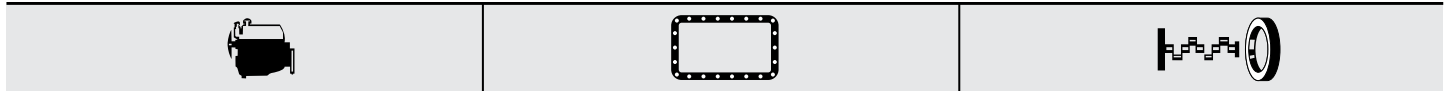


MB/HL 1-5	5	59.981/60.000	63.731/63.750	20.290	1.845	0.040/0.100	AL-LF	66726RA	H1057/5 STD 0.30 0.50
TW/A	4	67.050/67.300	83.050/83.300		1.880		AL-LF	4141AF	A188/4 STD
SE/PB	1	28.007/28.020	30.200/30.221	23.100			BS	41450.500	55-4499 SEMI

FIAT GROUP

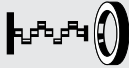
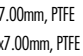
...Continued

1026 83.00 Diesel



EL890

JJ283 [20]
=PB907
14.00x21.00x2.000mm

NA5191  42.00x62.00x7.00mm, PTFE
NA5192  90.00x110.00x7.00mm, PTFE



JJ283

[20] Oil Pan Material: Steel

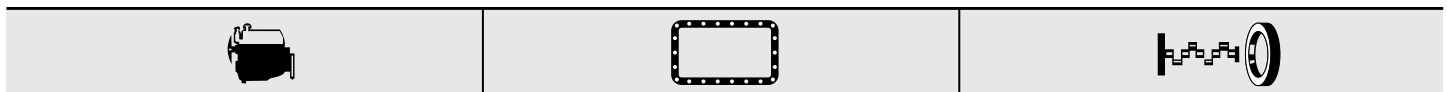
[20] Matériel pour carter d'huile: acier

[20] Materiale coppa olio: Acciaio

[20] Material cárter: Acero



1027 83.00 Diesel

DHX 4 Cyl. 21.8:1 1905cc 59kW (80)PS Turbo Intercooled TD24799 337



EL890

JJ283 [20]
=PB907
14.00x21.00x2.000mm

NA5191  42.00x62.00x7.00mm, PTFE
NA5192  90.00x110.00x7.00mm, PTFE



JJ283

[20] Oil Pan Material: Steel

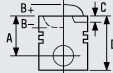
[20] Matériel pour carter d'huile: acier

[20] Materiale coppa olio: Acciaio

[20] Material cárter: Acero

1028 83.00 Diesel

DJY (XUD9) 4 Cyl. 23.5:1 1905cc 50-52kW (68-71)PS TD21267 338

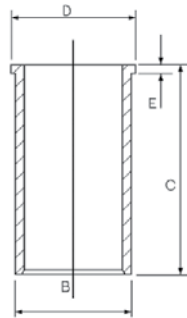


08-152000-00 STD
08-152003-00 0.125mm
08-152007-00 0.50mm
08-152010-00 0.80mm
08-152011-00 1.00mm











CR P
P
CR P



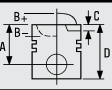
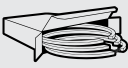
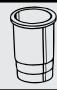

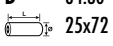
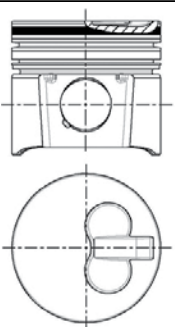



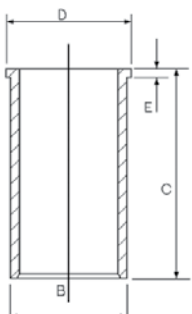
14-020530-00 D
B 85.60 C 153.50 D 88.50 E 3.90



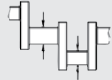
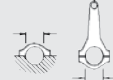





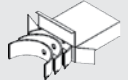





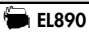



BE/PL	4	49.984/50.000	53.695/53.708	20.050	1.830	0.040/0.090	AL-LF	66725RA	01-4200/4 STD 0.30 0.50
MB/HL 1-5	5	59.981/60.000	63.731/63.750	20.290	1.845	0.040/0.100	AL-LF	66726RA	H1057/5 STD 0.30 0.50
TW/A	4	67.050/67.300	83.050/83.300		1.880		AL-LF	4141AF	A188/4 STD
SE/PB	1	25.007/25.020	27.200/27.221	24.050			BS	66729YA	55-4201 SEMI

...Continued



1028  83.00 Diesel				
 EL890	JJ283 [20]	NA5191  42.00x62.00x7.00mm, PTFE NA5192  90.00x110.00x7.00mm, PTFE		
		JJ283		
[20] Oil Pan Material: Steel	[20] Matériel pour carter d'huile: acier	[20] Materiale coppa olio: Acciaio	[20] Material cárter: Acero	

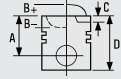
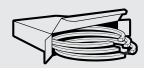
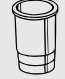

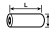
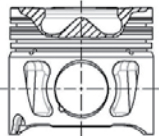






1029  83.00 Diesel					
DJY	4 Cyl.	23.5:1	1905cc	50kW (68)PS	TD12748 339
					
87-152000-10 STD 87-152007-10 0.50mm 87-152010-10 0.80mm A 46.80 B- 2.20 D 84.30  25x72		08-152000-00 STD 08-152003-00 0.125mm 08-152007-00 0.50mm 08-152010-00 0.80mm 08-152011-00 1.00mm 2.00  CR P 2.00  P 3.00  CR P	14-020530-00 D B 85.60 C 153.50 D 88.50 E 3.90 	88-152000-30 87-152000-10 + 14-020530-00	



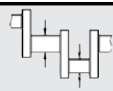
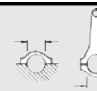


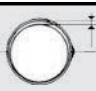

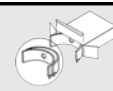

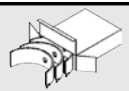
									
BE/PL	4	49.984/50.000	53.695/53.708	20.050	1.830	0.040/0.090	AL-LF	66725RA	01-4200/4 STD 0.30 0.50
MB/HL 1-5	5	59.981/60.000	63.731/63.750	20.290	1.845	0.040/0.100	AL-LF	66726RA	H1057/5 STD 0.30 0.50
TW/A	4	67.050/67.300	83.050/83.300		1.880		AL-LF	4141AF	A188/4 STD
SE/PB	1	25.007/25.020	27.200/27.221	24.050			BS	66729YA	55-4201 SEMI



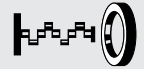

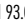
			
 EL890	JJ283 [20]	NA5191  42.00x62.00x7.00mm, PTFE NA5192  90.00x110.00x7.00mm, PTFE	
		JJ283	
[20] Oil Pan Material: Steel	[20] Matériel pour carter d'huile: acier	[20] Materiale coppa olio: Acciaio	[20] Material cárter: Acero



FIAT GROUP

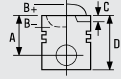
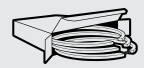
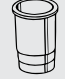
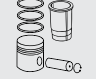
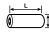
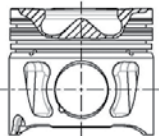






1030	 83.00	Diesel					
198 A5.000	4 Cyl.	16.1:1	1956cc	121kW (165)PS	Turbo Intercooled	TD21043	341
198 A5.000	4 Cyl.	16.5:1	1956cc	121kW (165)PS	Turbocharged	TD24569	341
940 A4.000	4 Cyl.	16.5:1	1956cc	125kW (170)PS	Turbo Intercooled	TD23924	341

			
87-436500-00 STD 87-436506-00 0.40mm A 43.63 B- 15.80 BØ 43.50 D 72.63  30x66	  08344A406	08-436500-00 STD 08-436506-00 0.40mm 1.50  GDC P 1.50  P 2.00  CK P  	




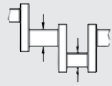
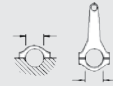


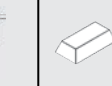



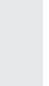
										
BE/PL	1	50.787/50.805	53.901/53.913	19.500	1.534	0.030/0.080	EC-LF	71-4780	71-4780 STD	[23]
MB/HL	1	59.986/60.000	63.705/63.718	20.750	1.844	0.031/0.080	EC	72-3995	72-3995 STD 0.25 0.50	
TW/A	2	67.785/68.040	82.425/82.677		2.485		AL-LF	4356AF	A191/2 STD	
SE/PB	1		28.939/28.972	21.700			BS	4369Y	55-4159 SEMI	


		
HR397	NA5070  31.00x41.00x7.00mm, FPM NF888  93.00x172.00x12.00mm, FPM	

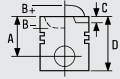
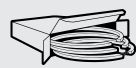
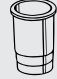






1031	 83.00	Diesel					
198 A5.000	4 Cyl.	16.5:1	1956cc	121kW (165)PS	Turbo Intercooled	TD24647	340


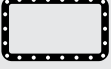



			
87-436500-00 STD 87-436506-00 0.40mm A 43.63 B- 15.80 BØ 43.50 D 72.63  30x66	  08344A406	08-436500-00 STD 08-436506-00 0.40mm 1.50  GDC P 1.50  P 2.00  CK P  	


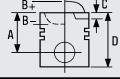
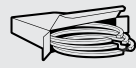
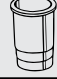






...Continued

1031		 83.00	Diesel								
											
BE/PL	1	50.787/50.805	53.901/53.913	19.500	1.534	0.030/0.080	EC-LF	71-4780	71-4780 STD	[23]	
MB/HL	1	59.986/60.000	63.705/63.718	20.750	1.844	0.031/0.080	EC	72-3995	72-3995 STD 0.25 0.50		
TW/A	2	67.785/68.040	82.425/82.677		2.485		AL-LF	4356AF	A191/2 STD		
SE/PB	1		28.939/28.972	21.700			BS	4369Y	55-4159 SEMI		

1032		 83.00	Diesel								
198 A8.000	4 Cyl.	16.5:1	1956cc	121kW (165)PS	Turbo Intercooled	TD25650	341				
250 A1.000 Euro 5	4 Cyl.	16.5:1	1956cc	85kW (116)PS	Turbo Intercooled	TD25173	340				
263 A1.000 Euro 5	4 Cyl.	16.5:1	1956cc	99kW (135)PS	Turbo Intercooled	TD24764	341				
939 B3.000	4 Cyl.		1956cc	125kW (170)PS	Turbo Intercooled	TD23107	341				
D20AA Euro 5	4 Cyl.	16.5:1	1956cc	99kW (135)PS	Turbocharged	TD24670	340				

			
	08-436500-00 STD 08-436506-00 0.40mm 1.50  GDC P 1.50  P 2.00  CK P		
	 		

		
HR397	NA5070  31.00x41.00x7.00mm, FPM	NF888  93.00x172.00x12.00mm, FPM

1033		 83.00	Diesel								
198 A9.000	4 Cyl.	16.5:1	1956cc	120kW (163)PS	Turbo Intercooled	TD25651					
											
	08-436500-00 STD 08-436506-00 0.40mm 1.50  GDC P 1.50  P 2.00  CK P										
	 										

1034



83.00

Diesel



844 A2.000	4 Cyl.	16.5:1	1956cc	120kW (163)PS	Turbocharged	TD24593	342
844 A2.000	4 Cyl.	16.5:1	1956cc	120kW (163)PS	Turbocharged	TD24594	
844 A2.000	4 Cyl.	16.5:1	1956cc	120kW (163)PS	Turbocharged	TD24652	

87-436500-00 87-436506-00 STD 0.40mm A 43.63 B- 15.80 BØ 43.50 D 72.63 30x66	08-436500-00 STD 08-436506-00 0.40mm 1.50 GDC P 1.50 P 2.00 CK P 		
08344A406			



										[22]
BE/PL	1	50.787/50.805	53.901/53.913	19.500	1.534	0.030/0.080	EC	71-3994	71-3994 STD 0.25	[22]
BE/PL	1	50.787/50.805	53.901/53.913	19.500	1.534	0.030/0.080	EC-LF	71-4780	71-4780 STD	[23]

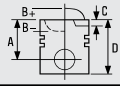
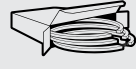
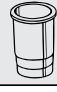
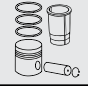
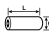
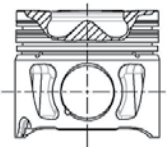
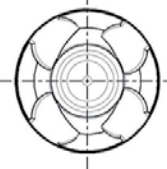





71-3994


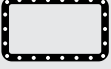







MB/HL	1	59.986/60.000	63.705/63.718	20.750	1.844	0.031/0.080	EC	72-3995	72-3995 STD 0.25 0.50
TW/A	2	67.785/68.040	82.425/82.677		2.485		AL-LF	4356AF	A191/2 STD
SE/PB	1		28.939/28.972	21.700			BS	4369Y	55-4159 SEMI

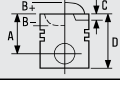


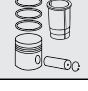

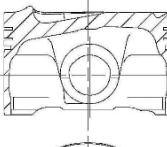
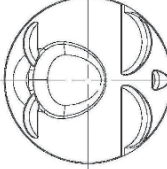



HR397		NA5070 31.00x41.00x7.00mm, FPM NF888 93.00x172.00x12.00mm, FPM



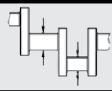








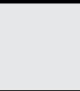
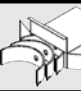
1035		 83.00	Diesel		
939 B4.000	4 Cyl.		1956cc	100kW (136)PS	Turbo Intercooled TD24644 340
939 B5.000	4 Cyl.		1956cc	100-125kW (140-170)PS	Turbo Intercooled TD26620 340
939 B5.000	4 Cyl.	16.5:1	1956cc	125kW (170)PS	Turbo Intercooled TD24645 340
940 A5.000 Euro 5	4 Cyl.	16.5:1	1956cc	103kW (140)PS	Turbo Intercooled TD24578 340
940 A5.000 Euro 5	4 Cyl.	16.5:1	1956cc	103kW (140)PS	Turbo Intercooled TD26672 340
940 A7.000 Euro 5	4 Cyl.	16.5:1	1956cc	120kW (163)PS	Turbo Intercooled TD24793
940 A8.000 Euro 5	4 Cyl.	16.5:1	1956cc	100kW (136)PS	Turbo Intercooled TD25424






			
87-436500-00 87-436506-00 STD 0.40mm A 43.63 B- 15.80 BØ 43.50 D 72.63  30x66	  08344A406	08-436500-00 08-436506-00 STD 0.40mm 1.50  GDC P 1.50  P 2.00  CK P  	

		
	HR397	NA5070  31.00x41.00x7.00mm, FPM NF888  93.00x172.00x12.00mm, FPM

1036		 83.00	Petrol		
932 A2.000	4 Cyl.		1970cc	119-121kW (162-165)PS	TD18076 343

			
87-145200-00 87-145206-00 STD 0.40mm A 31.00 B- 5.15 B+ 3.05 C 1.76 D 51.30  20x52	  [15] Steel	08-145200-00 08-145206-00 STD 0.40mm 1.20  NT [15] 1.20  P 2.00  NT [15] Accier	[15] Acciaio [15] Acero

												
BE/PL	1	50.787/50.805	53.901/53.913	19.500	1.534	0.030/0.080	EC	71-3994	71-3994 STD 0.25	[22]		
MB/HL	1	59.986/60.000	63.705/63.718	20.750	1.844	0.031/0.080	EC	72-3995	72-3995 STD 0.25 0.50			
TW/A	2	67.785/68.040	82.425/82.677		2.485		AL-LF	4356AF	A191/2 STD			

		
	HR397	NA5070  31.00x41.00x7.00mm, FPM NF888  93.00x172.00x12.00mm, FPM

FIAT GROUP

1037



83.00

Petrol



937 A1.000

4 Cyl.

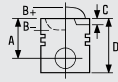
11.3:1

1970cc

119-122kW (162-166)PS

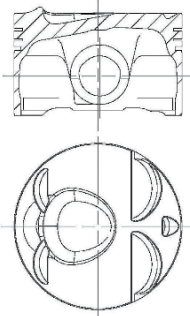
TD16381

344



87-145200-00
87-145206-00

STD
0.40mm



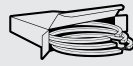
A 31.00
B- 5.15
B+ 3.05
C 1.76
D 51.30
20x52

[15] Steel

[15] Acier

[15] Acciaio

[15] Acero



08-145200-00 STD
08-145206-00 0.40mm

1.20 NT [15]
1.20 P
2.00 NT



BE/PL	1	50.787/50.805	53.901/53.913	19.500	1.534	0.030/0.080	EC	71-3994	71-3994 STD 0.25 [22]
MB/HL	1	59.986/60.000	63.705/63.718	20.750	1.844	0.031/0.080	EC	72-3995	72-3995 STD 0.25 0.50
TW/A	2	58.808/59.062	73.486/73.740		2.485		AL-LF	4351AF	A190/2 STD



HR397



NA5070 31.00x41.00x7.00mm, FPM

NF888 93.00x172.00x12.00mm, FPM

1038



83.00

Petrol



AR 16201

4 Cyl.

10:1

1970cc

110kW (150)PS

TD4188

345

AR 32301

4 Cyl.

10.1:1

1970cc

114kW (155)PS

TD9463

346

AR 34103

4 Cyl.

10:1

1970cc

114kW (155)PS

TD11599

349

AR 67204

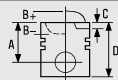
4 Cyl.

1970cc

110kW (150)PS

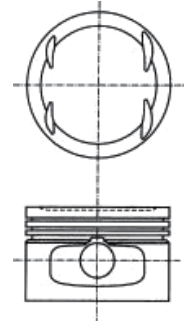
TD4190

351



87-110900-00
87-110906-00

STD
0.40mm



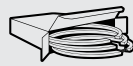
A 32.00
B- 3.10
D 56.00
20x52

[15] Steel

[15] Acier

[15] Acciaio

[15] Acero




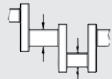
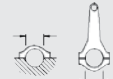

















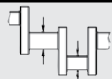






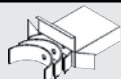





08-110900-00 STD
08-110906-00 0.40mm

1.20 CR [15]
1.50 P
3.00 CR P



...Continued

1038  83.00 Petrol										
										
BE/PL	4	50.787/50.807	53.901/53.913	19.500	1.534	0.028/0.083	BS	4350CP	71-4157/4 STD 0.25 0.50	
MB/HL 1,2,4,5	4	52.982/53.000	56.705/56.718	20.750	1.843	0.019/0.075	AL-LF	4351RA	H1096/5 STD 0.25 0.50	
MB/HL 3	1	52.982/53.000	56.705/56.718	20.750	1.838	0.029/0.085	AL-LF	4352RA		
TW/A	2	58.808/59.062	73.486/73.740		2.485		AL-LF	4351AF	A190/2 STD	
SE/PB	1	19.993/20.000	22.939/22.972	21.700			BS	4359Y	55-4540 SEMI	
										
			HR397				NA5070  31.00x41.00x7.00mm, FPM NF888  93.00x172.00x12.00mm, FPM			

1039  83.00 Petrol 										
AR 32303		4 Cyl.	10.1:1	1970cc	110-118kW (150-160)PS					TD19055 347
										
BE/PL	4	50.787/50.807	53.901/53.913	19.500	1.534	0.028/0.083	BS	4350CP	71-4157/4 STD 0.25 0.50	
MB/HL 1,2,4,5	4	52.982/53.000	56.705/56.718	20.750	1.843	0.019/0.075	AL-LF	4351RA	H1096/5 STD 0.25 0.50	
MB/HL 3	1	52.982/53.000	56.705/56.718	20.750	1.838	0.029/0.085	AL-LF	4352RA		
TW/A	2	58.808/59.062	73.486/73.740		2.485		AL-LF	4351AF	A190/2 STD	
SE/PB	1	19.993/20.000	22.939/22.972	21.700			BS	4359Y	55-4540 SEMI	
										
			HR397				NA5070  31.00x41.00x7.00mm, FPM NF888  93.00x172.00x12.00mm, FPM			

FIAT GROUP

1040

83.00

Petrol



AR 32310 D4	4 Cyl.	10:1	1970cc	110kW (150)PS	TD15391	348
AR 36301 D4	4 Cyl.		1970cc	110kW (150)PS	TD15392	350

87-145300-00 87-145306-00 STD 0.40mm A 31.30 B- 3.80 BØ 69.00 D 51.30 20x52			08-145300-00 STD 08-145306-00 0.40mm 1.20 NT [15] 1.20 P 2.00 P	08-124700-00 STD 08-124706-00 0.40mm 08-124708-00 0.60mm 1.19 NT P 1.20 P 2.00 P			
[15] Steel	[15] Acier	[15] Acciaio	[15] Acero				

BE/PL	4	50.787/50.807	53.901/53.913	19.500	1.534	0.028/0.083	BS	4350CP	71-4157/4 STD 0.25 0.50
MB/HL 1,2,4,5	4	52.982/53.000	56.705/56.718	20.750	1.843	0.019/0.075	AL-LF	4351RA	H1096/5 STD 0.25 0.50
MB/HL 3	1	52.982/53.000	56.705/56.718	20.750	1.838	0.029/0.085	AL-LF	4352RA	
TW/A	2	58.808/59.062	73.486/73.740		2.485		AL-LF	4351AF	A190/2 STD
SE/PB	1	19.993/20.000	22.939/22.972	21.700			BS	4359Y	55-4540 SEMI

EA5420	HR397	NA5070 31.00x41.00x7.00mm, FPM NF888 93.00x172.00x12.00mm, FPM

1041



83.00

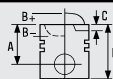
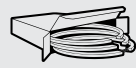



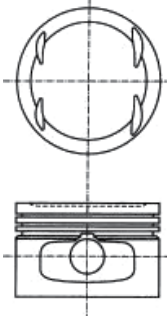
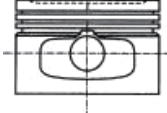



Petrol



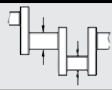
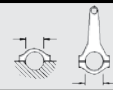





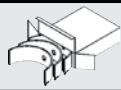




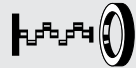


AR 67299	4 Cyl.	10:1	1970cc	110-114kW (150-155)PS	TD23351	352
----------	--------	------	--------	-----------------------	---------	-----



BE/PL	4	50.787/50.807	53.901/53.913	19.500	1.534	0.028/0.083	BS	4350CP	71-4157/4 STD 0.25 0.50
MB/HL 1,2,4,5	4	52.982/53.000	56.705/56.718	20.750	1.843	0.019/0.075	AL-LF	4351RA	H1096/5 STD 0.25 0.50
MB/HL 3	1	52.982/53.000	56.705/56.718	20.750	1.838	0.029/0.085	AL-LF	4352RA	
TW/A	2	58.808/59.062	73.486/73.740		2.485		AL-LF	4351AF	A190/2 STD
SE/PB	1	19.993/20.000	22.939/22.972	21.700			BS	4359Y	55-4540 SEMI



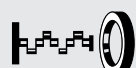


1042  **83.00** **Petrol** 
AR 67202 4 Cyl. 10:1 1995cc **104kW (141)PS** **TD137** **353**



			
87-110900-00 STD 87-110906-00 0.40mm A 32.00 B- 3.10 D 56.00  20x52	 	08-110900-00 STD 08-110906-00 0.40mm 1.20  CR [15] 1.50  P 3.00  CR P	
[15] Steel	[15] Acier	[15] Acciaio	[15] Acero



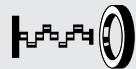



									
BE/PL	4	49.988/49.998	53.695/53.708	23.440	1.838	0.021/0.069	BS	60010CP	71-4168/4 STD 0.25 0.50
MB/HL 1,3,5	3	59.960/59.973	63.657/63.676	25.530	1.837	0.020/0.067	BS	60011CP	H1030/5 STD 0.25 0.50
MB/HL 2,4	2	59.960/59.973	63.657/63.676	18.360	1.837	0.020/0.067	BS	60012CP	
TW/A	4	65.786/66.040	82.423/82.677		2.362		AL-LF	2777AF	A178/4 STD
SE/PB	1	21.994/22.000	25.120/25.146	23.720			BS	60014X	55-4280 SEMI

		
	HR397	NA5066  35.00x50.00x10.00mm, ACM NA5065  62.00x80.00x12.00mm, ACM





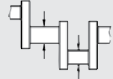
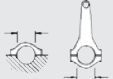






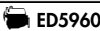

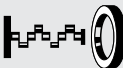


1043  **83.00** **Petrol** 
185 A7.011 5 Cyl. 9.75:1 2446cc **117-118kW (159-160)PS** **TD24638**
192 A7.011 5 Cyl. 9.75:1 2446cc **123kW (167)PS** **TD25020**
838 B2.000 5 Cyl. 10:1 2446cc **129kW (175)PS** **TD18864** **356**
841 D.000 5 Cyl. 10.3:1 2446cc **125kW (170)PS** **TD16732** **357**





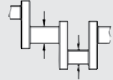
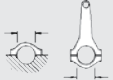









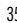
		
	HR397	NA5070  31.00x41.00x7.00mm, FPM NF888  93.00x172.00x12.00mm, FPM





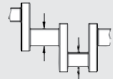
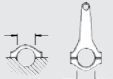





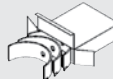

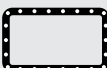
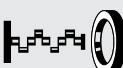
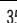
1044  **83.00** **Petrol** 
192 A2.000 5 Cyl. 10.5:1 2446cc **117-125kW (159-170)PS** **TD16396** **354**



		
 ED5960	HR397	NA5070  31.00x41.00x7.00mm, FPM NF888  93.00x172.00x12.00mm, FPM

FIAT GROUP

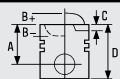
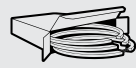





1045		 83.00	Petrol							
838 A2.000	5 Cyl.	10:1	2446cc	129kW (175)PS			TD4617	355		
838 A2.027	5 Cyl.	10:1	2446cc	129kW (175)PS			TD14528	355		
										
BE/PL	5	50.787/50.807	53.901/53.913	19.500	1.534	0.028/0.083	BS	4350CP	71-4157/5 STD 0.25	
MB/HL 1-6	6	59.986/60.000	63.705/63.718	20.750	1.844	0.031/0.075	BS	4356CP	H1095/6 STD 0.25 0.50	
TW/A	2	67.785/68.040	82.425/82.677		2.485		AL-LF	4356AF	A191/2 STD	
SE/PB	1	19.993/20.000	22.939/22.972	21.700			BS	4359Y	55-4540 SEMI	
										
ED5960		HR397		NA5070  31.00x41.00x7.00mm, FPM						
				NF888  93.00x172.00x12.00mm, FPM						

1046		 83.40	Petrol							
AR 67103	4 Cyl.	10.3:1	1748cc	83kW (113)PS			TD134	358		
										
BE/PL	4	49.988/49.998	53.695/53.708	23.440	1.838	0.021/0.069	BS	60010CP	71-4168/4 STD 0.25 0.50	
MB/HL 1,3,5	3	59.960/59.973	63.657/63.676	25.530	1.837	0.020/0.067	BS	60011CP	H1030/5 STD 0.25 0.50	
MB/HL 2,4	2	59.960/59.973	63.657/63.676	18.360	1.837	0.020/0.067	BS	60012CP		
TW/A	4	65.786/66.040	82.423/82.677		2.362		AL-LF	2777AF	A178/4 STD	
SE/PB	1	21.994/22.000	25.120/25.146	23.720			BS	60014X	55-4280 SEMI	
										
NF722  35.00x50.00x10.00mm, MVQ										



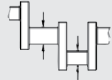
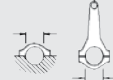





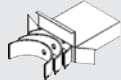
1047		 83.50	Petrol							
AR 67105	4 Cyl.	10.3:1	1748cc	83-85kW (113-115)PS			TD135	359		
										
BE/PL	4	49.988/49.998	53.695/53.708	23.440	1.838	0.021/0.069	BS	60010CP	71-4168/4 STD 0.25 0.50	
MB/HL 1,3,5	3	59.960/59.973	63.657/63.676	25.530	1.837	0.020/0.067	BS	60011CP	H1030/5 STD 0.25 0.50	
MB/HL 2,4	2	59.960/59.973	63.657/63.676	18.360	1.837	0.020/0.067	BS	60012CP		
TW/A	4	65.786/66.040	82.423/82.677		2.362		AL-LF	2777AF	A178/4 STD	
SE/PB	1	21.994/22.000	25.120/25.146	23.720			BS	60014X	55-4280 SEMI	
										
NF722  35.00x50.00x10.00mm, MVQ										



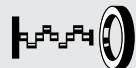

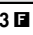

1048  **84.00** **Petrol** 



AR 30184 4 Cyl. 9:1 1286cc **55kW (75)PS** **TD85** **360**

			
	08-109000-10 STD 08-109008-10 0.60mm 1.50  CR P 1.75  P 4.00  CR [15]		

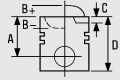
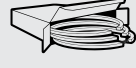
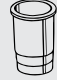




[15] Steel [15] Acier [15] Acciaio [15] Acero

									
BE/PL	4	49.984/50.000	53.696/53.708	17.800	1.836	0.024/0.077	AL-LF	66325RA	01-4178/4 STD 0.25 0.50
MB/HL 1-3	3	59.944/59.957	63.663/63.673	23.400	1.841	0.024/0.072	AL-LF	66326RA	H1044/3 STD 0.25 0.50
TW/A	2	65.790/66.040	82.420/82.680		2.362		BS	66326AF	A205/2 STD
SE/PB	1	20.996/21.000	23.005/23.020	23.500			BS	66329Y	55-4505 SEMI

		
	JH565  JH565	NA5063  40.00x56.00x10.00mm, ACM NA5065  62.00x80.00x12.00mm, ACM

1049  **84.00** **Petrol** 

AR 30124	4 Cyl.	9:1	1490cc	61-64kW (83-87)PS	TD78	361
AR 30128	4 Cyl.	9:1	1490cc	70kW (95)PS	TD79	361
AR 30146	4 Cyl.	9.5:1	1490cc	75-77kW (102-105)PS	TD80	363
AR 30182	4 Cyl.		1490cc	70kW (95)PS	TD10128	364
AR 30504	4 Cyl.	9:1	1490cc	62kW (84)PS	TD89	365
AR 30508	4 Cyl.		1490cc	77kW (105)PS	TD90	363
AR 30520	4 Cyl.	9:1	1490cc	66kW (90)PS	TD91	361

			
	08-109000-10 STD 08-109008-10 0.60mm 1.50  CR P 1.75  P 4.00  CR [15]		

[15] Steel [15] Acier [15] Acciaio [15] Acero


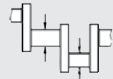
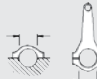




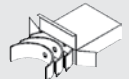
FIAT GROUP

...Continued

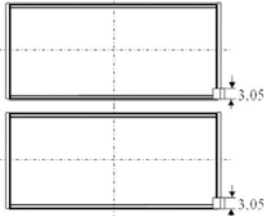
1049

 **84.00**

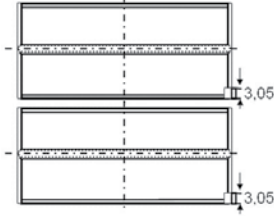
Petrol

									
BE/PL	4	49.984/50.000	53.696/53.708	17.800	1.836	0.024/0.077	AL-LF	66325RA	01-4178/4 STD 0.25 0.50
BE/PL	4	49.992/50.000	53.696/53.708	17.800	1.836	0.024/0.069	AL-LF	66625RA	01-4188/4 STD 0.25 0.50

66325RA



66625RA





MB/HL 1-3	3	59.944/59.957	63.663/63.673	23.400	1.841	0.024/0.072	AL-LF	66326RA	H1044/3 STD 0.25 0.50
TW/A	2	65.790/66.040	82.420/82.680		2.362		BS	66326AF	A205/2 STD
SE/PB	1	20.996/21.000	23.005/23.020	23.500			BS	66329Y	55-4505 SEMI



JH565



JH565

NA5063  40.00x56.00x10.00mm, ACM
NA5065  62.00x80.00x12.00mm, ACM

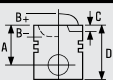
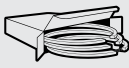





1050

 **84.00**

Petrol



AR 30143 4 Cyl. 1490cc 62kW (84)PS **TD10131** **362**



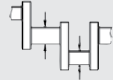
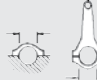





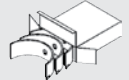
			
	<p>08-109000-10 STD</p> <p>08-109008-10 0.60mm</p> <p>1.50  CR P</p> <p>1.75  P</p> <p>4.00  CR [15]</p>		



[15] Steel



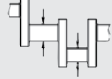
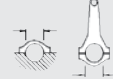





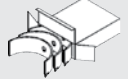
[15] Acier

[15] Acciaio

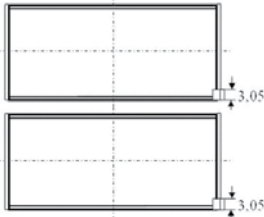
[15] Acero

									
MB/HL 1-3	3	59.944/59.957	63.663/63.673	23.400	1.841	0.024/0.072	AL-LF	66326RA	H1044/3 STD 0.25 0.50
TW/A	2	65.790/66.040	82.420/82.680		2.362		BS	66326AF	A205/2 STD
SE/PB	1	20.996/21.000	23.005/23.020	23.500			BS	66329Y	55-4505 SEMI

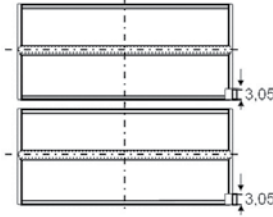
1051	 84.00	Petrol			
AR 30198	4 Cyl.	9:1	1490cc	70kW (95)PS	TD86
AR 30734	4 Cyl.		1490cc	77kW (105)PS	TD108 368
AR 30738	4 Cyl.	9.5:1	1490cc	70-77kW (95-105)PS	TD23346
AR 31016	4 Cyl.	9:1	1490cc	70kW (95)PS	TD101

									
BE/PL	4	49.984/50.000	53.696/53.708	17.800	1.836	0.024/0.077	AL-LF	66325RA	01-4178/4 STD 0.25 0.50
BE/PL	4	49.992/50.000	53.696/53.708	17.800	1.836	0.024/0.069	AL-LF	66625RA	01-4188/4 STD 0.25 0.50



66325RA

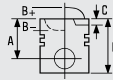
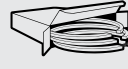
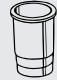






66625RA



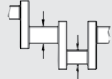
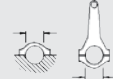








MB/HL 1-3	3	59.944/59.957	63.663/63.673	23.400	1.841	0.024/0.072	AL-LF	66326RA	H1044/3 STD 0.25 0.50
TW/A	2	65.790/66.040	82.420/82.680		2.362		BS	66326AF	A205/2 STD
SE/PB	1	20.996/21.000	23.005/23.020	23.500			BS	66329Y	55-4505 SEMI

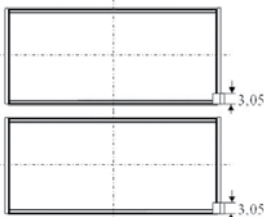
1052	 84.00	Petrol			
AR 30514	4 Cyl.		1490cc	70kW (95)PS	TD6373 366

			
	08-109000-10 STD 08-109008-10 0.60mm 1.50  CR P 1.75  P 4.00  CR [15]		

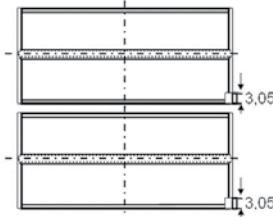
[15] Steel [15] Acier [15] Acciaio [15] Acero

									
BE/PL	4	49.984/50.000	53.696/53.708	17.800	1.836	0.024/0.077	AL-LF	66325RA	01-4178/4 STD 0.25 0.50
BE/PL	4	49.992/50.000	53.696/53.708	17.800	1.836	0.024/0.069	AL-LF	66625RA	01-4188/4 STD 0.25 0.50

66325RA



66625RA



MB/HL 1-3	3	59.944/59.957	63.663/63.673	23.400	1.841	0.024/0.072	AL-LF	66326RA	H1044/3 STD 0.25 0.50
TW/A	2	65.790/66.040	82.420/82.680		2.362		BS	66326AF	A205/2 STD
SE/PB	1	20.996/21.000	23.005/23.020	23.500			BS	66329Y	55-4505 SEMI

FIAT GROUP

1053



84.00

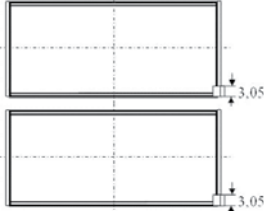
Petrol



AR 30588 4 Cyl. 1490cc 75-77kW (102-105)PS TD98 367

BE/PL	4	49.984/50.000	53.696/53.708	17.800	1.836	0.024/0.077	AL-LF	66325RA	01-4178/4 STD 0.25 0.50
BE/PL	4	49.992/50.000	53.696/53.708	17.800	1.836	0.024/0.069	AL-LF	66625RA	01-4188/4 STD 0.25 0.50

66325RA



66625RA



MB/HL 1-3	3	59.944/59.957	63.663/63.673	23.400	1.841	0.024/0.072	AL-LF	66326RA	H1044/3 STD 0.25 0.50
TW/A	2	65.790/66.040	82.420/82.680		2.362		BS	66326AF	A205/2 STD
SE/PB	1	20.996/21.000	23.005/23.020	23.500			BS	66329Y	55-4505 SEMI



JH565



JH565

NA5063 40.00x56.00x10.00mm, ACM
NA5065 62.00x80.00x12.00mm, ACM

1054



84.00

Petrol

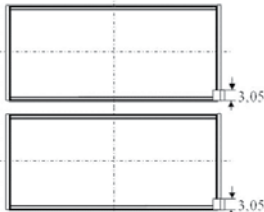


AR 30750 4 Cyl. 1490cc 74kW (101)PS TD116 369

AR 30751 4 Cyl. 1490cc 71-72kW (97-98)PS TD117 370

BE/PL	4	49.984/50.000	53.696/53.708	17.800	1.836	0.024/0.077	AL-LF	66325RA	01-4178/4 STD 0.25 0.50
BE/PL	4	49.992/50.000	53.696/53.708	17.800	1.836	0.024/0.069	AL-LF	66625RA	01-4188/4 STD 0.25 0.50

66325RA












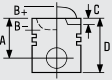






66625RA



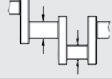
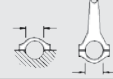












MB/HL 1-3	3	59.944/59.957	63.663/63.673	23.400	1.841	0.024/0.072	AL-LF	66326RA	H1044/3 STD 0.25 0.50
TW/A	2	65.790/66.040	82.420/82.680		2.362		BS	66326AF	A205/2 STD
SE/PB	1	20.996/21.000	23.005/23.020	23.500			BS	66329Y	55-4505 SEMI

...Continued

1054	 84.00	Petrol
		
	JJ450  JJ450	NA5063  40.00x56.00x10.00mm, ACM NA5065  62.00x80.00x12.00mm, ACM

1055	 84.00	Petrol				
124 B3.000	4 Cyl.	8.9:1	1585cc	46kW (63)PS	TD6898	371
						
	08-207600-00 STD 08-207604-00 0.20mm 08-207606-00 0.40mm 08-207608-00 0.60mm 1.50  CR P 2.00  P 3.95  CR [15]					
[15] Steel	[15] Acier	[15] Acciaio	[15] Acero			

									
BE/PL	4	50.782/50.802	53.897/53.913	19.500	1.537	0.021/0.082	AL-LF	66240RA	01-4175/4 STD 0.25 0.50 0.75 1.00
Mot.402353 →									
MB/HL 1,2,4,5	4	52.985/53.005	56.717/56.730	20.750	1.841	0.030/0.088	AL-LF	66316RA	H1043/5 STD 0.25 0.50 0.75
MB/HL 3	1	52.985/53.005	56.717/56.730	24.250	1.841	0.030/0.088	AL-LF	66317RA	
TW/A	2	59.000/59.250	73.600/73.850		2.362		BS	62037AF	A201/2 STD .005
SE/PB	1	21.539/21.641	23.939/23.972	25.100			BS	62039Y	55-4288 SEMI

		
	JH111  JH111	

FIAT GROUP

1056	84.00	Petrol							
131 A1.000	4 Cyl.	9.2:1	1585cc	55kW (75)PS				TD896	372

	<p>08-207600-00 STD</p> <p>08-207604-00 0.20mm</p> <p>08-207606-00 0.40mm</p> <p>08-207608-00 0.60mm</p>		
	<p>1.50 CR P</p> <p>2.00 P</p> <p>3.95 CR [15]</p>		

[15] Steel [15] Acier [15] Acciaio [15] Acero

BE/PL	4	48.224/48.244	51.330/51.346	19.500	1.540	0.020/0.067	AL-LF	66315RA	01-4176/4 STD 0.25 0.50
MB/HL 1,2,4,5	4	52.985/53.005	56.717/56.730	20.750	1.841	0.030/0.088	AL-LF	66316RA	H1043/5 STD 0.25 0.50 0.75
MB/HL 3	1	52.985/53.005	56.717/56.730	24.250	1.841	0.030/0.088	AL-LF	66317RA	
TW/A	2	59.000/59.250	73.600/73.850		2.362		BS	62037AF	A201/2 STD .005
SE/PB	1	21.539/21.641	25.000/25.021	25.100			BS	66649Y	55-4193 SEMI

	JH111	
	JH111	

1057	84.00	Petrol							
131 AB.1A.0	4 Cyl.	9.2:1	1585cc	55kW (75)PS				TD21454	

BE/PL	4	48.224/48.244	51.330/51.346	19.500	1.540	0.020/0.067	AL-LF	66315RA	01-4176/4 STD 0.25 0.50
MB/HL 1,2,4,5	4	52.985/53.005	56.717/56.730	20.750	1.841	0.030/0.088	AL-LF	66316RA	H1043/5 STD 0.25 0.50 0.75
MB/HL 3	1	52.985/53.005	56.717/56.730	24.250	1.841	0.030/0.088	AL-LF	66317RA	
TW/A	2	59.000/59.250	73.600/73.850		2.362		BS	62037AF	A201/2 STD .005
SE/PB	1	21.539/21.641	25.000/25.021	25.100			BS	66649Y	55-4193 SEMI

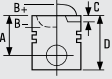

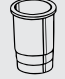







1058

 **84.00**

Petrol



131 B1.000	4 Cyl.	9:1	1585cc	72kW (98)PS	TD901	373
132 C.000	4 Cyl.	9:1	1585cc	65-72kW (89-98)PS	TD909	376
132 D.000	4 Cyl.	9:1	1585cc	72kW (98)PS	TD911	378
138 AR.000	4 Cyl.	9.3:1	1585cc	66-77kW (90-105)PS	TD919	379



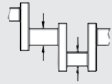
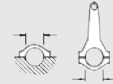





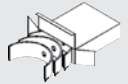
				08-207600-00 STD 08-207604-00 0.20mm 08-207606-00 0.40mm 08-207608-00 0.60mm
				1.50  CR P 2.00  P 3.95  CR [15]
				08-215300-10 STD 08-215306-10 0.40mm 08-215308-10 0.60mm 02/88 →
				1.50  CR P 2.00  P 3.95  P




[15] Steel

[15] Acier


[15] Acciaio

[15] Acero

									
BE/PL	4	48.224/48.244	51.330/51.346	19.500	1.540	0.020/0.067	AL-LF	66315RA	01-4176/4 STD 0.25 0.50
MB/HL 1,2,4,5	4	52.985/53.005	56.717/56.730	20.750	1.841	0.030/0.088	AL-LF	66316RA	H1043/5 STD 0.25 0.50 0.75
MB/HL 3	1	52.985/53.005	56.717/56.730	24.250	1.841	0.030/0.088	AL-LF	66317RA	
TW/A	2	59.000/59.250	73.600/73.850		2.362		BS	62037AF	A201/2 STD .005
SE/PB	1	21.539/21.641	23.939/23.972	25.100			BS	62039Y	55-4288 SEMI

		
---	---	---

JH111

NB818  40.00x56.00x7.00mm, ACM

NA5050  70.00x90.00x10.00mm, ACM



JH111

FIAT GROUP

1059



84.00

Petrol



131 C2.000

4 Cyl.

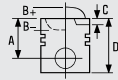
9.1:1

1585cc

63kW (85)PS

TD4351

374



08-207600-00 STD
 08-207604-00 0.20mm
 08-207606-00 0.40mm
 08-207608-00 0.60mm

1.50 CR P
 2.00 P
 3.95 CR [15]

[15] Steel

[15] Acier

[15] Acciaio

[15] Acero

BE/PL	4	48.224/48.244	51.330/51.346	19.500	1.540	0.020/0.067	AL-LF	66315RA	01-4176/4 STD 0.25 0.50	
MB/HL 1,2,4,5	4	52.985/53.005	56.717/56.730	20.750	1.841	0.030/0.088	AL-LF	66316RA	H1043/5 STD 0.25 0.50 0.75	
MB/HL 3	1	52.985/53.005	56.717/56.730	24.250	1.841	0.030/0.088	AL-LF	66317RA		
TW/A	2	59.000/59.250	73.600/73.850		2.362		BS	62037AF	A201/2 STD .005	
SE/PB	1	21.539/21.641	23.939/23.972	25.100			BS	62039Y	55-4288 SEMI	



JH111

NB818 40.00x56.00x7.00mm, ACM

NA5050 70.00x90.00x10.00mm, ACM



JH111

1060



84.00

Petrol



131 C3.000

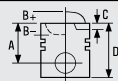
4 Cyl.

1585cc

71-72kW (96-98)PS

TD904

375



08-207600-00 STD
 08-207604-00 0.20mm
 08-207606-00 0.40mm
 08-207608-00 0.60mm

1.50 CR P
 2.00 P
 3.95 CR [15]

[15] Steel



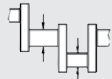
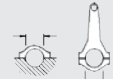





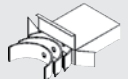
[15] Acier

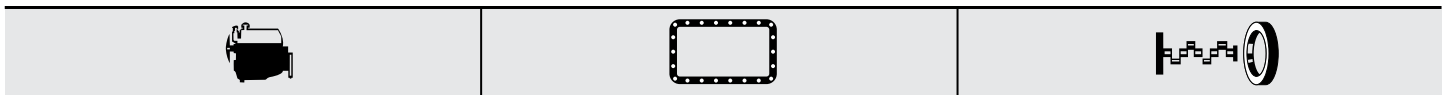
[15] Acciaio

[15] Acero

...Continued

1060  **84.00** **Petrol**

									
BE/PL	4	48.224/48.244	51.330/51.346	19.500	1.540	0.020/0.067	AL-LF	66315RA	01-4176/4 STD 0.25 0.50
MB/HL 1,2,4,5	4	52.985/53.005	56.717/56.730	20.750	1.841	0.030/0.088	AL-LF	66316RA	H1043/5 STD 0.25 0.50 0.75
MB/HL 3	1	52.985/53.005	56.717/56.730	24.250	1.841	0.030/0.088	AL-LF	66317RA	
TW/A	2	59.000/59.250	73.600/73.850		2.362		BS	62037AF	A201/2 STD .005
SE/PB	1	21.539/21.641	23.939/23.972	25.100			BS	62039Y	55-4288 SEMI





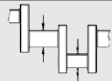
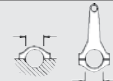





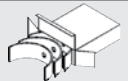
JH111



JH111

1061  **84.00** **Petrol** 

132 AZ2.000	4 Cyl.	1995cc	51kW (69)PS	TD13028	429
132 C6.000	4 Cyl.	1585cc	66kW (90)PS	TD912	377
132 CB.0A.0	4 Cyl.	9:1 1585cc	72kW (98)PS	TD21458	

									
BE/PL	4	48.224/48.244	51.330/51.346	19.500	1.540	0.020/0.067	AL-LF	66315RA	01-4176/4 STD 0.25 0.50
MB/HL 1,2,4,5	4	52.985/53.005	56.717/56.730	20.750	1.841	0.030/0.088	AL-LF	66316RA	H1043/5 STD 0.25 0.50 0.75
MB/HL 3	1	52.985/53.005	56.717/56.730	24.250	1.841	0.030/0.088	AL-LF	66317RA	
TW/A	2	59.000/59.250	73.600/73.850		2.362		BS	62037AF	A201/2 STD .005
SE/PB	1	21.539/21.641	23.939/23.972	25.100			BS	62039Y	55-4288 SEMI

FIAT GROUP

1062

84.00

Petrol



138 AR.048

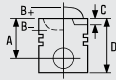
4 Cyl.

9.3:1

1585cc

74kW (100)PS

TD920



08-207600-00 STD
08-207604-00 0.20mm
08-207606-00 0.40mm
08-207608-00 0.60mm

1.50 CR P
 2.00 P
 3.95 CR [15]

08-215300-10 STD
08-215306-10 0.40mm
08-215308-10 0.60mm
 02/88 →

1.50 CR P
 2.00 P
 3.95 P

[15] Steel

[15] Acier

[15] Acciaio

[15] Acero

BE/PL	4	48.224/48.244	51.330/51.346	19.500	1.540	0.020/0.067	AL-LF	66315RA	01-4176/4 STD 0.25 0.50
MB/HL 1,2,4,5	4	52.985/53.005	56.717/56.730	20.750	1.841	0.030/0.088	AL-LF	66316RA	H1043/5 STD 0.25 0.50 0.75
MB/HL 3	1	52.985/53.005	56.717/56.730	24.250	1.841	0.030/0.088	AL-LF	66317RA	
TW/A	2	59.000/59.250	73.600/73.850		2.362		BS	62037AF	A201/2 STD .005
SE/PB	1	21.539/21.641	23.939/23.972	25.100			BS	62039Y	55-4288 SEMI

1063

84.00

Petrol



149 A.000

4 Cyl.

9.3:1

1585cc

60kW (82)PS

TD962

149 C2.000

4 Cyl.

9.5:1

1595cc

66kW (90)PS

TD4384

149 C2.046

4 Cyl.

9.5:1

1595cc

66kW (90)PS

TD978

392

149 C3.000

4 Cyl.

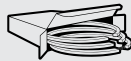
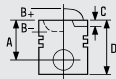
9.5:1

1585cc

61-76kW (83-103)PS

TD18856

383



08-207600-00 STD
08-207604-00 0.20mm
08-207606-00 0.40mm
08-207608-00 0.60mm

1.50 CR P
 2.00 P
 3.95 CR [15]




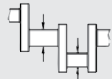
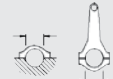





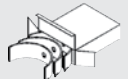
[15] Steel


[15] Acier

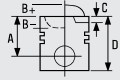
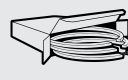
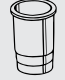







[15] Acciaio

[15] Acero



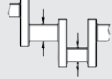
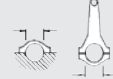





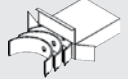
...Continued

1063		 84.00	Petrol							
										
BE/PL	4	48.224/48.244	51.330/51.346	19.500	1.540	0.020/0.067	AL-LF	66315RA	01-4176/4 STD 0.25 0.50	
MB/HL 1,2,4,5	4	52.985/53.005	56.717/56.730	20.750	1.841	0.030/0.088	AL-LF	66316RA	H1043/5 STD 0.25 0.50 0.75	
MB/HL 3	1	52.985/53.005	56.717/56.730	24.250	1.841	0.030/0.088	AL-LF	66317RA		
TW/A	2	59.000/59.250	73.600/73.850		2.362		BS	62037AF	A201/2 STD .005	
SE/PB	1	21.539/21.641	23.939/23.972	25.100			BS	62039Y	55-4288 SEMI	

1064		 84.00	Petrol								
149 A2.000	4 Cyl.	9.3:1	1585cc	74kW (101)PS						TD4379	380

			
	08-207600-00 STD 08-207604-00 0.20mm 08-207606-00 0.40mm 08-207608-00 0.60mm 1.50  CR P 2.00  P 3.95  CR [15]		
	08-215300-10 STD 08-215306-10 0.40mm 08-215308-10 0.60mm 02/88 → 1.50  CR P 2.00  P 3.95  P		

[15] Steel [15] Acier [15] Acciaio [15] Acero

									
BE/PL	4	48.224/48.244	51.330/51.346	19.500	1.540	0.020/0.067	AL-LF	66315RA	01-4176/4 STD 0.25 0.50
MB/HL 1,2,4,5	4	52.985/53.005	56.717/56.730	20.750	1.841	0.030/0.088	AL-LF	66316RA	H1043/5 STD 0.25 0.50 0.75
MB/HL 3	1	52.985/53.005	56.717/56.730	24.250	1.841	0.030/0.088	AL-LF	66317RA	
TW/A	2	59.000/59.250	73.600/73.850		2.362		BS	62037AF	A201/2 STD .005
SE/PB	1	21.539/21.641	23.939/23.972	25.100			BS	62039Y	55-4288 SEMI

FIAT GROUP

...Continued

1064

 **84.00**

Petrol



JH111



JH111

1065

 **84.00**

Petrol



149 A4.000

4 Cyl.

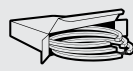
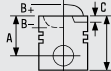
9.3:1

1585cc




74kW (101)PS

TD4380

381



08-207600-00 STD
08-207604-00 0.20mm
08-207606-00 0.40mm
08-207608-00 0.60mm



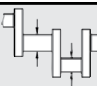
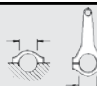




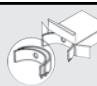
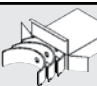
1.50  CR P
 2.00  P
 3.95  CR [15]

[15] Steel

[15] Acier

[15] Acciaio

[15] Acero

									
BE/PL	4	48.224/48.244	51.330/51.346	19.500	1.540	0.020/0.067	AL-LF	66315RA	01-4176/4 STD 0.25 0.50
MB/HL 1,2,4,5	4	52.985/53.005	56.717/56.730	20.750	1.841	0.030/0.088	AL-LF	66316RA	H1043/5 STD 0.25 0.50 0.75
MB/HL 3	1	52.985/53.005	56.717/56.730	24.250	1.841	0.030/0.088	AL-LF	66317RA	
TW/A	2	59.000/59.250	73.600/73.850		2.362		BS	62037AF	A201/2 STD .005
SE/PB	1	21.539/21.641	23.939/23.972	25.100			BS	62039Y	55-4288 SEMI



JH111

JJ413



JH111



JJ413

1066

84.00

Petrol



149 C2.000	4 Cyl.	9.5:1	1585cc	66kW (90)PS	TD5432	382
831 B7.000	4 Cyl.	9.5:1	1585cc	80kW (109)PS	TD1817	390

<p>08-207600-00 STD</p> <p>08-207604-00 0.20mm</p> <p>08-207606-00 0.40mm</p> <p>08-207608-00 0.60mm</p> <p>1.50 CR P</p> <p>2.00 P</p> <p>3.95 CR [15]</p>		<p>14-011041-00 D</p> <p>B 88.06 C 152.00</p>	
<p>08-215300-10 STD</p> <p>08-215306-10 0.40mm</p> <p>08-215308-10 0.60mm</p> <p>02/88 →</p> <p>1.50 CR P</p> <p>2.00 P</p> <p>3.95 P</p>			

[15] Steel [15] Acier [15] Acciaio [15] Acero

BE/PL	4	48.224/48.244	51.330/51.346	19.500	1.540	0.020/0.067	AL-LF	66315RA	01-4176/4 STD 0.25 0.50
MB/HL 1,2,4,5	4	52.985/53.005	56.717/56.730	20.750	1.841	0.030/0.088	AL-LF	66316RA	H1043/5 STD 0.25 0.50 0.75
MB/HL 3	1	52.985/53.005	56.717/56.730	24.250	1.841	0.030/0.088	AL-LF	66317RA	
TW/A	2	59.000/59.250	73.600/73.850		2.362		BS	62037AF	A201/2 STD .005
SE/PB	1	21.539/21.641	23.939/23.972	25.100			BS	62039Y	55-4288 SEMI

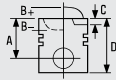
1067

 **84.00**




Petrol



154 A.048 4 Cyl. 9.75:1 1585cc **61kW (83)PS** TD11754 **384**





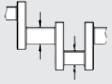
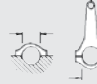





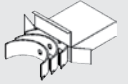
08-207600-00 STD
08-207604-00 0.20mm
08-207606-00 0.40mm
08-207608-00 0.60mm

1.50  CR P
 2.00  P
 3.95  CR [15]

08-215300-10 STD
08-215306-10 0.40mm
08-215308-10 0.60mm
 02/88 →

1.50  CR P
 2.00  P
 3.95  P

[15] Steel [15] Acier [15] Acciaio [15] Acero

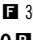
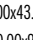
									
BE/PL	4	48.224/48.244	51.330/51.346	19.500	1.540	0.020/0.067	AL-LF	66315RA	01-4176/4 STD 0.25 0.50
MB/HL 1,2,4,5	4	52.985/53.005	56.717/56.730	20.750	1.841	0.030/0.088	AL-LF	66316RA	H1043/5 STD 0.25 0.50 0.75
MB/HL 3	1	52.985/53.005	56.717/56.730	24.250	1.841	0.030/0.088	AL-LF	66317RA	
TW/A	2	59.000/59.250	73.600/73.850		2.362		BS	62037AF	A201/2 STD .005
SE/PB	1	21.539/21.641	23.939/23.972	25.100			BS	62039Y	55-4288 SEMI



JJ298
(Cork)



JJ298

NB742  30.00x43.00x8.00mm, ACM
NA5050  70.00x90.00x10.00mm, ACM

1068

84.00

Petrol



828 B.000	4 Cyl.	9.3:1	1585cc	74kW (100)PS	TD1796	385
828 B1.000	4 Cyl.	8.9:1	1995cc	85-88kW (116-119)PS	TD1797	385

<p>08-207600-00 STD 08-207604-00 0.20mm 08-207606-00 0.40mm 08-207608-00 0.60mm</p> <p>1.50 CR P 2.00 P 3.95 CR [15]</p>			
<p>08-215300-10 STD 08-215306-10 0.40mm 08-215308-10 0.60mm 02/88 →</p> <p>1.50 CR P 2.00 P 3.95 P</p>			

[15] Steel [15] Acier [15] Acciaio [15] Acero

BE/PL	4	48.224/48.244	51.330/51.346	19.500	1.540	0.020/0.067	AL-LF	66315RA	01-4176/4 STD 0.25 0.50
MB/HL 1,2,4,5	4	52.985/53.005	56.717/56.730	20.750	1.841	0.030/0.088	AL-LF	66316RA	H1043/5 STD 0.25 0.50 0.75
MB/HL 3	1	52.985/53.005	56.717/56.730	24.250	1.841	0.030/0.088	AL-LF	66317RA	
TW/A	2	59.000/59.250	73.600/73.850		2.362		BS	62037AF	A201/2 STD .005
SE/PB	1	21.539/21.641	23.939/23.972	25.100			BS	62039Y	55-4288 SEMI

--	--	--

JH111



JH111

FIAT GROUP

1069

 84.00

Petrol



831 A4.000

4 Cyl.



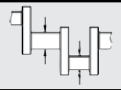
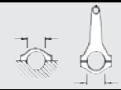




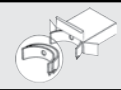
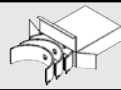
9.5:1

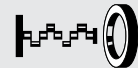
1585cc

77kW (105)PS


TD4604

386

									
BE/PL	4	48.224/48.244	51.330/51.346	19.500	1.540	0.020/0.067	AL-LF	66315RA	01-4176/4 STD 0.25 0.50
MB/HL 1,2,4,5	4	52.985/53.005	56.717/56.730	20.750	1.841	0.030/0.088	AL-LF	66316RA	H1043/5 STD 0.25 0.50 0.75
MB/HL 3	1	52.985/53.005	56.717/56.730	24.250	1.841	0.030/0.088	AL-LF	66317RA	
TW/A	2	59.000/59.250	73.600/73.850		2.362		BS	62037AF	A201/2 STD .005
SE/PB	1	21.539/21.641	23.939/23.972	25.100			BS	62039Y	55-4288 SEMI



JH111

NB732  74.00x90.00x10.00mm, FPM



JH111

1070

 84.00

Petrol



831 A7.000

4 Cyl.

8:1



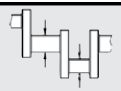
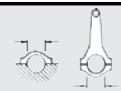




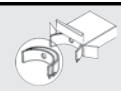
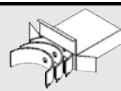
1585cc

96kW (130)PS

Turbo Intercooled

TD1808

387

									
BE/PL	4	48.224/48.244	51.330/51.346	19.500	1.540	0.020/0.067	AL-LF	66315RA	01-4176/4 STD 0.25 0.50
MB/HL 1,2,4,5	4	52.990/53.010	56.717/56.735	20.750	1.843	0.020/0.080	BS	4128CP	H1084/5 STD 0.25 0.50
MB/HL 3	1	52.990/53.010	56.717/56.735	24.250	1.843	0.020/0.080	BS	4129CP	
TW/A	2	59.000/59.250	73.600/73.850		2.362		BS	62037AF	A201/2 STD .005
SE/PB	1	21.539/21.641	23.939/23.972	25.100			BS	62039Y	55-4288 SEMI




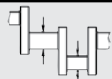





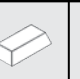

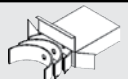





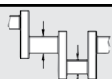
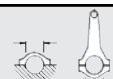




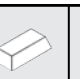

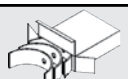
JJ298





(Cork)




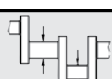
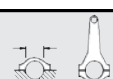




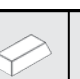

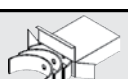


JJ298

1071		 84.00	Petrol							
831 B3.000		4 Cyl.	8:1	1585cc	103kW (140)PS		Turbo Intercooled		TD1807	388
										
BE/PL	4	48.224/48.244	51.330/51.346	19.500	1.540	0.020/0.067	AL-LF	66315RA	01-4176/4 STD 0.25 0.50	
MB/HL 1,2,4,5	4	52.990/53.010	56.717/56.735	20.750	1.843	0.020/0.080	BS	4128CP	H1084/5 STD 0.25 0.50	
MB/HL 3	1	52.990/53.010	56.717/56.735	24.250	1.843	0.020/0.080	BS	4129CP		
TW/A	2	59.000/59.250	73.600/73.850		2.362		BS	62037AF	A201/2 STD .005	
SE/PB	1	21.539/21.641	23.939/23.972	25.100			BS	62039Y	55-4288 SEMI	

1072		 84.00	Petrol							
831 B6.000		4 Cyl.	1585cc	73kW (99)PS				TD1815	389	
										
BE/PL	4	48.224/48.244	51.330/51.346	19.500	1.540	0.020/0.067	AL-LF	66315RA	01-4176/4 STD 0.25 0.50	
MB/HL 1,2,4,5	4	52.985/53.005	56.717/56.730	20.750	1.841	0.030/0.088	AL-LF	66316RA	H1043/5 STD 0.25 0.50 0.75	
MB/HL 3	1	52.985/53.005	56.717/56.730	24.250	1.841	0.030/0.088	AL-LF	66317RA		
TW/A	2	59.000/59.250	73.600/73.850		2.362		BS	62037AF	A201/2 STD .005	
SE/PB	1	21.539/21.641	23.939/23.972	25.100			BS	62039Y	55-4288 SEMI	

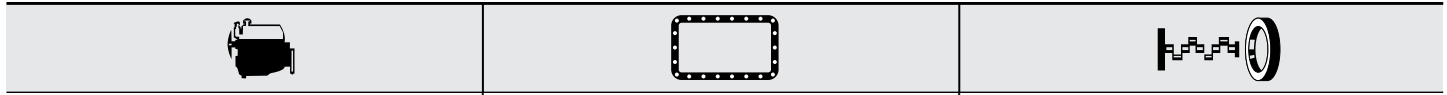
		
JJ298 (Cork)		
 JJ298		

1073		 84.00	Petrol							
831 B7.046		4 Cyl.	9.5:1	1585cc	97kW (132)PS		Turbo Intercooled		TD4606	391
										
BE/PL	4	48.224/48.244	51.330/51.346	19.500	1.540	0.020/0.067	AL-LF	66315RA	01-4176/4 STD 0.25 0.50	
MB/HL 1,2,4,5	4	52.990/53.010	56.717/56.735	20.750	1.843	0.020/0.080	BS	4128CP	H1084/5 STD 0.25 0.50	
MB/HL 3	1	52.990/53.010	56.717/56.735	24.250	1.843	0.020/0.080	BS	4129CP		
TW/A	2	59.000/59.250	73.600/73.850		2.362		BS	62037AF	A201/2 STD .005	
SE/PB	1	21.539/21.641	23.939/23.972	25.100			BS	62039Y	55-4288 SEMI	

FIAT GROUP

...Continued

1073 84.00 Petrol



JH111



JH111



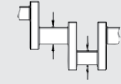

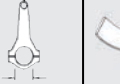





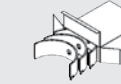
1074 84.00 Petrol

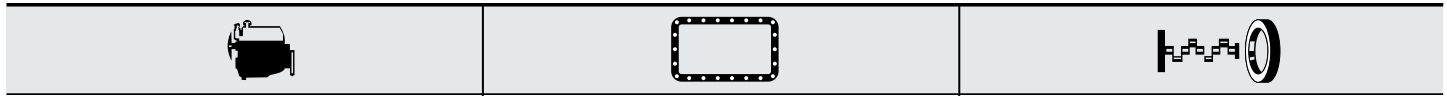
AR 33201 4 Cyl. 9.5:1 1596cc 76kW (103)PS TD121 393



08-110200-00 STD

1.50  CR P
 1.50  P
 3.50  P



										
BE/PL	4	48.226/48.244	51.354/51.366	19.100	1.543	0.020/0.080	BS	4355CP	71-4158/4 STD 0.25	
MB/HL 1,2,4,5	4	52.982/53.000	56.705/56.718	20.750	1.843	0.019/0.075	AL-LF	4351RA	H1096/5 STD 0.25 0.50	
MB/HL 3	1	52.982/53.000	56.705/56.718	20.750	1.838	0.029/0.085	AL-LF	4352RA		
TW/A	2	58.808/59.062	73.486/73.740		2.485		AL-LF	4351AF	A190/2 STD	
SE/PB	1	20.996/21.000	23.005/23.020	23.500			BS	66329Y	55-4505 SEMI	



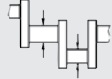
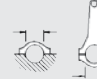










JJ450

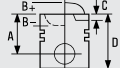
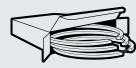
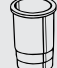
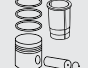



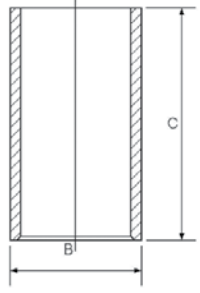





JJ450

1075		 84.00		Petrol					
132 A1.000	4 Cyl.	8.9:1	1756cc	77-82kW (105-112)PS				TD21453	
132 AB.000	4 Cyl.	8.9:1	1756cc	77-82kW (105-112)PS				TD23120	
132 AB.1A.0	4 Cyl.	9:1	1756cc	77-82kW (105-112)PS				TD21456	
132 BB.1A 0	4 Cyl.	9:1	1756cc	77-82kW (105-112)PS				TD21457	
132 C1.000	4 Cyl.	8.9:1	1756cc	77-82kW (105-112)PS				TD19054	397
132 CB.1A	4 Cyl.	9:1	1756cc	77-82kW (105-112)PS				TD21459	

									
BE/PL	4	50.782/50.802	53.897/53.913	19.500	1.537	0.021/0.082	AL-LF	66240RA	01-4175/4 STD 0.25 0.50 0.75 1.00
MB/HL 1,2,4,5	4	52.985/53.005	56.717/56.730	20.750	1.841	0.030/0.088	AL-LF	66316RA	H1043/5 STD 0.25 0.50 0.75
MB/HL 3	1	52.985/53.005	56.717/56.730	24.250	1.841	0.030/0.088	AL-LF	66317RA	
TW/A	2	59.000/59.250	73.600/73.850		2.362		BS	62037AF	A201/2 STD .005
SE/PB	1	21.539/21.641	25.000/25.021	25.100			BS	66649Y	55-4193 SEMI
→06/84									
SE/PB	1	21.539/21.641	23.939/23.972	25.100			BS	62039Y	55-4288 SEMI
07/84→									

1076		 84.00		Petrol					
132 AC1.000	4 Cyl.	9.8:1	1756cc	87kW (118)PS				TD23121	394

			
	<p>08-207600-00 STD</p> <p>08-207604-00 0.20mm</p> <p>08-207606-00 0.40mm</p> <p>08-207608-00 0.60mm</p> <p>1.50  CR P</p> <p>2.00  P</p> <p>3.95  CR [15]</p>	<p>14-011041-00 D</p> <p>B 88.06 C 152.00</p> 	
	<p>08-215300-10 STD</p> <p>08-215306-10 0.40mm</p> <p>08-215308-10 0.60mm</p> <p>02/88→</p> <p>1.50  CR P</p> <p>2.00  P</p> <p>3.95  P</p>		

[15] Steel

[15] Acier



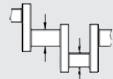
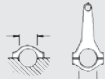





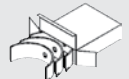
[15] Acciaio


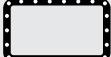
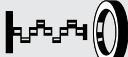

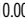
[15] Acero

FIAT GROUP

...Continued



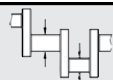
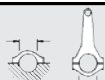





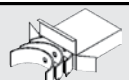
1076 84.00 Petrol



									
BE/PL	4	50.782/50.802	53.897/53.913	19.500	1.537	0.021/0.082	AL-LF	66240RA	01-4175/4 STD 0.25 0.50 0.75 1.00
MB/HL 1,2,4,5	4	52.985/53.005	56.717/56.730	20.750	1.841	0.030/0.088	AL-LF	66316RA	H1043/5 STD 0.25 0.50 0.75
MB/HL 3	1	52.985/53.005	56.717/56.730	24.250	1.841	0.030/0.088	AL-LF	66317RA	
TW/A	2	59.000/59.250	73.600/73.850		2.362		BS	62037AF	A201/2 STD .005
SE/PB	1	21.539/21.641	25.000/25.021	25.100			BS	66649Y	55-4193 SEMI
→06/84									
SE/PB	1	21.539/21.641	23.939/23.972	25.100			BS	62039Y	55-4288 SEMI
07/84 →									



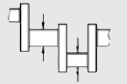
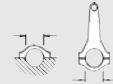


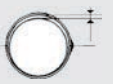


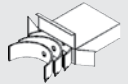
		
		NB818  40.00x56.00x7.00mm, ACM NA5050  70.00x90.00x10.00mm, ACM



1077 84.00 Petrol

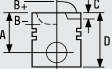
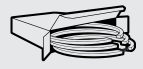
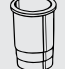







132 B.000 4 Cyl. 8.9:1 1756cc 79kW (107)PS TD18854 395

									
BE/PL	4	50.782/50.802	53.897/53.913	19.500	1.537	0.021/0.082	AL-LF	66240RA	01-4175/4 STD 0.25 0.50 0.75 1.00
01/75 →									
MB/HL 1,2,4,5	4	52.985/53.005	56.717/56.730	20.750	1.841	0.030/0.088	AL-LF	66316RA	H1043/5 STD 0.25 0.50 0.75
MB/HL 3	1	52.985/53.005	56.717/56.730	24.250	1.841	0.030/0.088	AL-LF	66317RA	
TW/A	2	59.000/59.250	73.600/73.850		2.362		BS	62037AF	A201/2 STD .005
SE/PB	1	21.539/21.641	25.000/25.021	25.100			BS	66649Y	55-4193 SEMI
→06/84									
SE/PB	1	21.539/21.641	23.939/23.972	25.100			BS	62039Y	55-4288 SEMI
07/84 →									



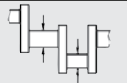
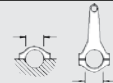





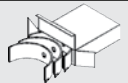
1078	 84.00	Petrol			
132 B1.000	4 Cyl.	8.9:1	1756cc	77-82kW (105-112)PS	TD21378
132 BB.1A 0	4 Cyl.	9:1	1756cc	77-82kW (105-112)PS	TD22281
134 AS.000	4 Cyl.	8.9:1	1995cc	88kW (120)PS	TD1781 377
828 B7.000	4 Cyl.	9:1	1995cc	99kW (135)PS	TD1800 446

									
BE/PL	4	50.782/50.802	53.897/53.913	19.500	1.537	0.021/0.082	AL-LF	66240RA	01-4175/4 STD 0.25 0.50 0.75 1.00
MB/HL 1,2,4,5	4	52.985/53.005	56.717/56.730	20.750	1.841	0.030/0.088	AL-LF	66316RA	H1043/5 STD 0.25 0.50 0.75
MB/HL 3	1	52.985/53.005	56.717/56.730	24.250	1.841	0.030/0.088	AL-LF	66317RA	
TW/A	2	59.000/59.250	73.600/73.850		2.362		BS	62037AF	A201/2 STD .005
SE/PB	1	21.539/21.641	25.000/25.021	25.100			BS	66649Y	55-4193 SEMI
SE/PB	1	21.539/21.641	23.939/23.972	25.100			BS	62039Y	55-4288 SEMI

1079	 84.00	Petrol			
132 B1.000	4 Cyl.	8.9:1	1756cc	77-82kW (105-112)PS	TD906 396

			
	<p>08-207600-00 STD</p> <p>08-207604-00 0.20mm</p> <p>08-207606-00 0.40mm</p> <p>08-207608-00 0.60mm</p> <p>1.50  CR P</p> <p>2.00  P</p> <p>3.95  CR [15]</p>		
	<p>08-215300-10 STD</p> <p>08-215306-10 0.40mm</p> <p>08-215308-10 0.60mm</p> <p>02/88 →</p> <p>1.50  CR P</p> <p>2.00  P</p> <p>3.95  P</p>		

[15] Steel [15] Acier [15] Acciaio [15] Acero

									
BE/PL	4	50.782/50.802	53.897/53.913	19.500	1.537	0.021/0.082	AL-LF	66240RA	01-4175/4 STD 0.25 0.50 0.75 1.00
MB/HL 1,2,4,5	4	52.985/53.005	56.717/56.730	20.750	1.841	0.030/0.088	AL-LF	66316RA	H1043/5 STD 0.25 0.50 0.75
MB/HL 3	1	52.985/53.005	56.717/56.730	24.250	1.841	0.030/0.088	AL-LF	66317RA	
TW/A	2	59.000/59.250	73.600/73.850		2.362		BS	62037AF	A201/2 STD .005
SE/PB	1	21.539/21.641	25.000/25.021	25.100			BS	66649Y	55-4193 SEMI

FIAT GROUP

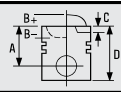
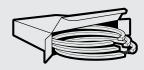
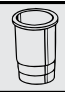
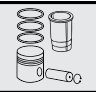



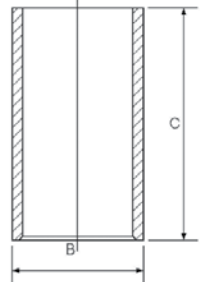
1080



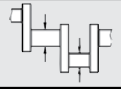
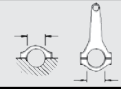


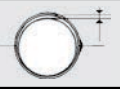

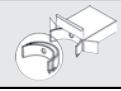
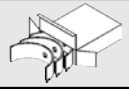
 84.00






Petrol



159 A4.000	4 Cyl.	9.5:1	1756cc	74-81kW (101-110)PS	TD1008	398
159 A4.046	4 Cyl.	9.5:1	1756cc	77kW (105)PS	TD1009	399

			
	08-142400-00 STD 08-142406-00 0.40mm 1.50  CK 1.50  P 3.00  P	14-011041-00 D B 88.06 C 152.00 	

									
BE/PL	4	50.792/50.805	53.892/53.910	19.500	1.537	0.010/0.070	BS	1150CP	71-4120/4 STD 0.25 0.50
MB/HL 1,2,4,5	4	52.985/53.005	56.717/56.730	20.750	1.841	0.030/0.088	AL-LF	66316RA	H1043/5 STD 0.25 0.50 0.75
MB/HL 3	1	52.985/53.005	56.717/56.730	24.250	1.841	0.030/0.088	AL-LF	66317RA	
TW/A	2	59.000/59.250	73.600/73.850		2.362		BS	62037AF	A201/2 STD .005
SE/PB	1	28.002/28.010	30.000/30.021	25.250			BS	66649RY	55-4294 SEMI

		
	JJ298 (Cork)  JJ298	NB742  30.00x43.00x8.00mm, ACM



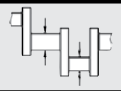
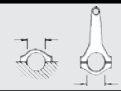


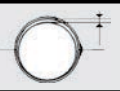


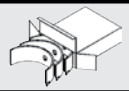
1081

 84.00








Petrol







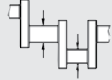
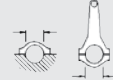






160 A5.000	4 Cyl.	9.9:1	1756cc	100kW (136)PS	TD13669	400
------------	--------	-------	--------	---------------	----------------	------------



									
BE/PL	4	50.787/50.807	53.901/53.913	19.500	1.534	0.028/0.083	BS	4350CP	71-4157/4 STD 0.25 0.50
MB/HL 1,2,4,5	4	52.990/53.010	56.717/56.735	20.750	1.843	0.020/0.080	BS	4128CP	H1084/5 STD 0.25 0.50
MB/HL 3	1	52.990/53.010	56.717/56.735	24.250	1.843	0.020/0.080	BS	4129CP	
TW/A	2	59.000/59.250	73.600/73.850		2.362		BS	62037AF	A201/2 STD .005
SE/PB	1	21.539/21.641	25.000/25.021	25.100			BS	66649Y	55-4193 SEMI

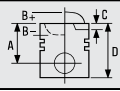
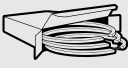
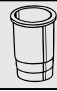
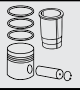



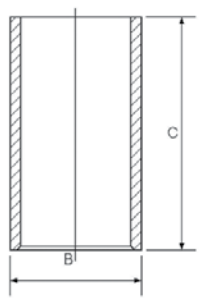
...Continued



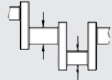
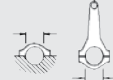





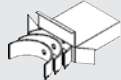
1081	 84.00	Petrol
		
	JJ413	NB742  30.00x43.00x8.00mm, ACM NB732  74.00x90.00x10.00mm, FPM
		
	JJ413	

1082	 84.00	Petrol	
828 A1.000	4 Cyl.	1756cc	81kW (110)PS
			TD1792



									
BE/PL	4	50.782/50.802	53.897/53.913	19.500	1.537	0.021/0.082	AL-LF	66240RA	01-4175/4 STD 0.25 0.50 0.75 1.00
MB/HL 1,2,4,5	4	52.985/53.005	56.717/56.730	20.750	1.841	0.030/0.088	AL-LF	66316RA	H1043/5 STD 0.25 0.50 0.75
MB/HL 3	1	52.985/53.005	56.717/56.730	24.250	1.841	0.030/0.088	AL-LF	66317RA	
TW/A	2	59.000/59.250	73.600/73.850		2.362		BS	62037AF	A201/2 STD .005
SE/PB	1	21.539/21.641	23.939/23.972	25.100			BS	62039Y	55-4288 SEMI

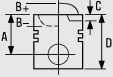



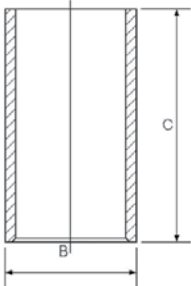
1083	 84.00	Petrol	
835 A2.000	4 Cyl.	9.5:1	80kW (108)PS
835 C2.000	4 Cyl.	9.5:1	76kW (103)PS
			TD1845 401
			TD4612 404



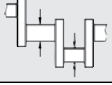
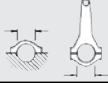


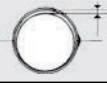

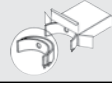
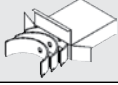
			
	08-142400-00 STD 08-142406-00 0.40mm 1.50  CK 1.50  P 3.00  P	14-011041-00 D B 88.06 C 152.00 	



									
BE/PL	4	50.792/50.805	53.892/53.910	19.500	1.537	0.010/0.070	BS	1150CP	71-4120/4 STD 0.25 0.50
MB/HL 1,2,4,5	4	52.985/53.005	56.717/56.730	20.750	1.841	0.030/0.088	AL-LF	66316RA	H1043/5 STD 0.25 0.50 0.75
MB/HL 3	1	52.985/53.005	56.717/56.730	24.250	1.841	0.030/0.088	AL-LF	66317RA	
TW/A	2	59.000/59.250	73.600/73.850		2.362		BS	62037AF	A201/2 STD .005
SE/PB	1	21.539/21.641	25.000/25.021	25.100			BS	66649Y	55-4193 SEMI

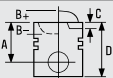

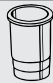
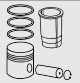



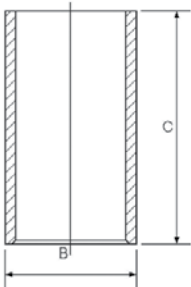
FIAT GROUP

1084	 84.00	Petrol				
835 A2.046	4 Cyl.	9.5:1	1756cc	74-77kW (101-105)PS	TD1844	402
835 C4.000	4 Cyl.	9.5:1	1756cc	66kW (90)PS	TD5433	405
836 A5.000	4 Cyl.	10:1	1756cc	74kW (101)PS	TD4615	408
836 C4.000	4 Cyl.		1756cc	66kW (90)PS	TD5434	405

			
		14-011041-00 D B 88.06 C 152.00	
			



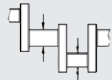
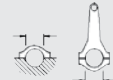





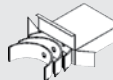
									
BE/PL	4	50.792/50.805	53.892/53.910	19.500	1.537	0.010/0.070	BS	1150CP	71-4120/4 STD 0.25 0.50
MB/HL 1,2,4,5	4	52.985/53.005	56.717/56.730	20.750	1.841	0.030/0.088	AL-LF	66316RA	H1043/5 STD 0.25 0.50 0.75
MB/HL 3	1	52.985/53.005	56.717/56.730	24.250	1.841	0.030/0.088	AL-LF	66317RA	
TW/A	2	59.000/59.250	73.600/73.850		2.362		BS	62037AF	A201/2 STD .005
SE/PB	1	21.539/21.641	25.000/25.021	25.100			BS	66649Y	55-4193 SEMI








1085	 84.00	Petrol				
835 C2.000	4 Cyl.	9.5:1	1756cc	76kW (103)PS	TD1068	403



			
	08-142400-00 STD 08-142406-00 0.40mm 1.50  CK 1.50  P 3.00  P	14-011041-00 D B 88.06 C 152.00	
			

...Continued

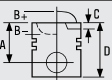

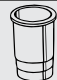

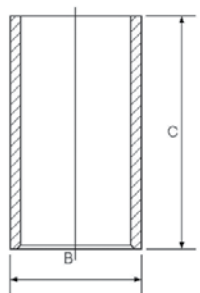
1085  **84.00** **Petrol**



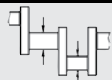
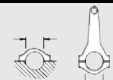






									
BE/PL	4	50.792/50.805	53.892/53.910	19.500	1.537	0.010/0.070	BS	1150CP	71-4120/4 STD 0.25 0.50
MB/HL 1,2,4,5	4	52.985/53.005	56.717/56.730	20.750	1.841	0.030/0.088	AL-LF	66316RA	H1043/5 STD 0.25 0.50 0.75
MB/HL 3	1	52.985/53.005	56.717/56.730	24.250	1.841	0.030/0.088	AL-LF	66317RA	
TW/A	2	59.000/59.250	73.600/73.850		2.362		BS	62037AF	A201/2 STD .005
SE/PB	1	28.002/28.010	30.000/30.021	25.250			BS	66649RY	55-4294 SEMI

		
	JJ413	NB742  30.00x43.00x8.00mm, ACM NB825  30.00x43.00x8.00mm, FPM NB732  74.00x90.00x10.00mm, FPM
		
	JJ413	

1086  **84.00** **Petrol** 

835 C4.000 4 Cyl. 1756cc 66kW (90)PS TD1069 406

			
		14-011041-00 D B 88.06 C 152.00	
			

									
BE/PL	4	50.792/50.805	53.892/53.910	19.500	1.537	0.010/0.070	BS	1150CP	71-4120/4 STD 0.25 0.50
MB/HL 1,2,4,5	4	52.985/53.005	56.717/56.730	20.750	1.841	0.030/0.088	AL-LF	66316RA	H1043/5 STD 0.25 0.50 0.75
MB/HL 3	1	52.985/53.005	56.717/56.730	24.250	1.841	0.030/0.088	AL-LF	66317RA	
TW/A	2	59.000/59.250	73.600/73.850		2.362		BS	62037AF	A201/2 STD .005
SE/PB	1	28.002/28.010	30.000/30.021	25.250			BS	66649RY	55-4294 SEMI

FIAT GROUP

1087	84.00	Petrol				
835 C5.000	4 Cyl.	9.5:1	1756cc	66kW (90)PS	TD1847	407

BE/PL	4	50.792/50.805	53.892/53.910	19.500	1.537	0.010/0.070	BS	1150CP	71-4120/4 STD 0.25 0.50
MB/HL 1,2,4,5	4	52.985/53.005	56.717/56.730	20.750	1.841	0.030/0.088	AL-LF	66316RA	H1043/5 STD 0.25 0.50 0.75
MB/HL 3	1	52.985/53.005	56.717/56.730	24.250	1.841	0.030/0.088	AL-LF	66317RA	
TW/A	2	59.000/59.250	73.600/73.850		2.362		BS	62037AF	A201/2 STD .005
SE/PB	1	21.539/21.641	25.000/25.021	25.100			BS	66649Y	55-4193 SEMI

	JH111	NB825 30.00x43.00x8.00mm, FPM NB732 74.00x90.00x10.00mm, FPM
	JH111	

1088	84.00	Petrol		
836 A2.046	4 Cyl.	1756cc	74kW (101)PS	TD4613



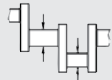
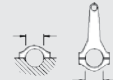





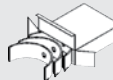
BE/PL	4	50.792/50.805	53.892/53.910	19.500	1.537	0.010/0.070	BS	1150CP	71-4120/4 STD 0.25 0.50
MB/HL 1,2,4,5	4	52.985/53.005	56.717/56.730	20.750	1.841	0.030/0.088	AL-LF	66316RA	H1043/5 STD 0.25 0.50 0.75
MB/HL 3	1	52.985/53.005	56.717/56.730	24.250	1.841	0.030/0.088	AL-LF	66317RA	
TW/A	2	59.000/59.250	73.600/73.850		2.362		BS	62037AF	A201/2 STD .005
SE/PB	1	21.539/21.641	25.000/25.021	25.100			BS	66649Y	55-4193 SEMI








1089	84.00	Petrol			
836 A5.000	4 Cyl.	1756cc	71-74kW (97-101)PS	TD892	409



		14-011041-00 D B 88.06 C 152.00	

...Continued

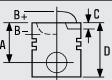

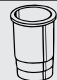

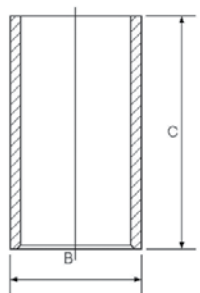
1089  **84.00** **Petrol**



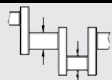
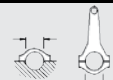






									
BE/PL	4	50.792/50.805	53.892/53.910	19.500	1.537	0.010/0.070	BS	1150CP	71-4120/4 STD 0.25 0.50
MB/HL 1,2,4,5	4	52.985/53.005	56.717/56.730	20.750	1.841	0.030/0.088	AL-LF	66316RA	H1043/5 STD 0.25 0.50 0.75
MB/HL 3	1	52.985/53.005	56.717/56.730	24.250	1.841	0.030/0.088	AL-LF	66317RA	
TW/A	2	59.000/59.250	73.600/73.850		2.362		BS	62037AF	A201/2 STD .005
SE/PB	1	28.002/28.010	30.000/30.021	25.250			BS	66649RY	55-4294 SEMI

		
	JJ413	NB742  30.00x43.00x8.00mm, ACM NB825  30.00x43.00x8.00mm, FPM NB732  74.00x90.00x10.00mm, FPM
		
	JJ413	

1090  **84.00** **Petrol** 




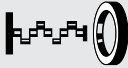



836 A6.000 4 Cyl. 9.6:1 1756cc 66kW (90)PS TD11918 410





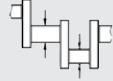
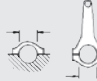






			
		14-011041-00 D B 88.06 C 152.00	
			





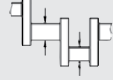
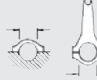








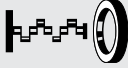

									
BE/PL	4	50.792/50.805	53.892/53.910	19.500	1.537	0.010/0.070	BS	1150CP	71-4120/4 STD 0.25 0.50
MB/HL 1,2,4,5	4	52.985/53.005	56.717/56.730	20.750	1.841	0.030/0.088	AL-LF	66316RA	H1043/5 STD 0.25 0.50 0.75
MB/HL 3	1	52.985/53.005	56.717/56.730	24.250	1.841	0.030/0.088	AL-LF	66317RA	
TW/A	2	59.000/59.250	73.600/73.850		2.362		BS	62037AF	A201/2 STD .005
SE/PB	1	21.539/21.641	25.000/25.021	25.100			BS	66649Y	55-4193 SEMI



FIAT GROUP

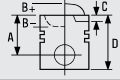

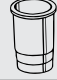




...Continued



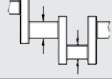
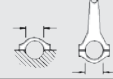






1090	 84.00	Petrol
		
	JJ413	NB742  30.00x43.00x8.00mm, ACM NB732  74.00x90.00x10.00mm, FPM
		
	JJ413	



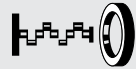
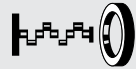
1091	 84.00	Petrol							
836 A6.000	4 Cyl.	9.6:1	1756cc	66kW (90)PS	TD18890	411			
									
BE/PL	4	50.792/50.805	53.892/53.910	19.500	1.537	0.010/0.070	BS	1150CP	71-4120/4 STD 0.25 0.50
MB/HL 1,2,4,5	4	52.985/53.005	56.717/56.730	20.750	1.841	0.030/0.088	AL-LF	66316RA	H1043/5 STD 0.25 0.50 0.75
MB/HL 3	1	52.985/53.005	56.717/56.730	24.250	1.841	0.030/0.088	AL-LF	66317RA	
TW/A	2	59.000/59.250	73.600/73.850		2.362		BS	62037AF	A201/2 STD .005
SE/PB	1	28.002/28.010	30.000/30.021	25.250			BS	66649RY	55-4294 SEMI



1092	 84.00	Petrol							
AR 67402	4 Cyl.		1756cc	77kW (105)PS	TD5071	412			
									
BE/PL	4	49.988/49.998	53.695/53.708	23.440	1.838	0.021/0.069	BS	60010CP	71-4168/4 STD 0.25 0.50
MB/HL 1,3,5	3	59.960/59.973	63.657/63.676	25.530	1.837	0.020/0.067	BS	60011CP	H1030/5 STD 0.25 0.50
MB/HL 2,4	2	59.960/59.973	63.657/63.676	18.360	1.837	0.020/0.067	BS	60012CP	
TW/A	4	65.786/66.040	82.423/82.677		2.362		AL-LF	2777AF	A178/4 STD
SE/PB	1	21.994/22.000	25.120/25.146	23.720			BS	60014X	55-4280 SEMI
									
									NF722  35.00x50.00x10.00mm, MVQ

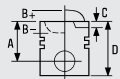

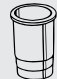
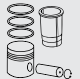
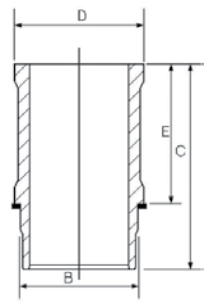
1093	 84.00	Petrol				
AR 67101	4 Cyl.	1773cc	93-95kW (126-129)PS	TD133	412	
AR 67102	4 Cyl.	10:1	1773cc	93kW (127)PS	TD5311	412

			
	08-110200-00 STD 1.50  CR P 1.50  P 3.50  P		

									
BE/PL	4	49.988/49.998	53.695/53.708	23.440	1.838	0.021/0.069	BS	60010CP	71-4168/4 STD 0.25 0.50
MB/HL 1,3,5	3	59.960/59.973	63.657/63.676	25.530	1.837	0.020/0.067	BS	60011CP	H1030/5 STD 0.25 0.50
MB/HL 2,4	2	59.960/59.973	63.657/63.676	18.360	1.837	0.020/0.067	BS	60012CP	
TW/A	4	65.786/66.040	82.423/82.677		2.362		AL-LF	2777AF	A178/4 STD
SE/PB	1	21.994/22.000	25.120/25.146	23.720			BS	60014X	55-4280 SEMI

		
		NF722  35.00x50.00x10.00mm, MVQ

1094	 84.00	Petrol				
169 B	4 Cyl.	7.5:1	1796cc	49kW (67)PS	TD12750	413



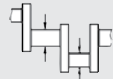
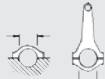






			
		14-606670-00 WH [16] B 93.00 C 136.20 D 99.20 E 90.01 	





[16] Use also: 1 NB O-Ring HR566 [16] A utiliser aussi: 1 joint toriques HR566 [16] Usare anche: 1 NB O-Ring HR566 [16] Utilizar también: 1 NB junta toricas HR566

FIAT GROUP

...Continued



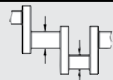
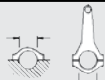






1094 84.00 Petrol



									
BE/PL	4	49.975/49.991	53.655/53.674	23.400	1.818	0.030/0.080	AL-LF	2865RA	01-4558/4 STD 0.30 0.50 0.80 1.00 H1240/5 STD 0.30 0.50 0.80 H1241/5 STD 0.30 0.50 0.80 A199/4 STD 0.10 0.15 0.20 55-4134 SEMI
MB/HL 1	1	59.401/59.416	63.227/63.246	29.500	1.888	0.040/0.080	AL-LF	2866RA	
MB/HL 2	1	58.548/58.573	62.384/62.403	21.500	1.888	0.040/0.080	AL-LF	61902RA	
MB/HL 3	1	57.174/57.189	61.000/61.019	29.500	1.888	0.040/0.080	AL-LF	61903RA	
MB/HL 4	1	56.140/56.165	59.976/59.995	21.500	1.888	0.040/0.080	AL-LF	61903RAA	
MB/HL 5	1	54.905/54.920	58.731/58.750	29.350	1.888	0.040/0.080	AL-LF	61904RA	
MB/HL 5	1	54.905/54.920	58.731/58.750	29.350	1.900	0.040/0.080	AL-LF	66696RA	
MB/HL 4	1	56.140/56.165	59.976/59.995	21.500	1.900	0.040/0.080	AL-LF	66697RA	
MB/HL 3	1	57.174/57.189	61.000/61.019	29.500	1.900	0.040/0.080	AL-LF	66698RA	
MB/HL 2	1	58.548/58.573	62.384/62.403	21.500	1.900	0.040/0.080	AL-LF	66699RA	
MB/HL 1	1	59.401/59.416	63.227/63.246	29.500	1.900	0.040/0.080	AL-LF	66699RAA	
TW/A	4	61.400/61.650	72.550/72.800		2.330		AL-LF	61904BF	
SE/PB	1	22.700/22.850	24.350/24.383	27.000			BS	2514X	

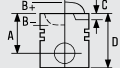
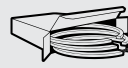
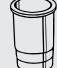
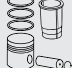
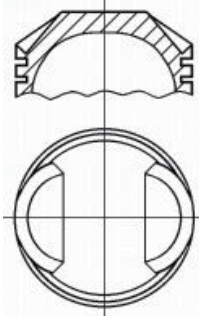
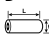






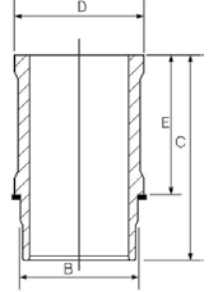
		
		NA5191  42.00x62.00x7.00mm, PTFE

1095 84.00 Petrol



XM7T 4 Cyl. 7.5:1 1796cc 50-51kW (68-69)PS **TD28853**

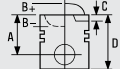
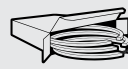
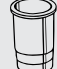
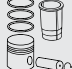
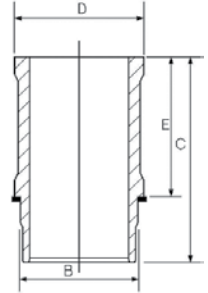
									
BE/PL	4	49.975/49.991	53.655/53.674	23.400	1.818	0.030/0.080	AL-LF	2865RA	01-4558/4 STD 0.30 0.50 0.80 1.00 H1241/5 STD 0.30 0.50 0.80
MB/HL 5	1	54.905/54.920	58.731/58.750	29.350	1.900	0.040/0.080	AL-LF	66696RA	
MB/HL 4	1	56.140/56.165	59.976/59.995	21.500	1.900	0.040/0.080	AL-LF	66697RA	
MB/HL 3	1	57.174/57.189	61.000/61.019	29.500	1.900	0.040/0.080	AL-LF	66698RA	
MB/HL 2	1	58.548/58.573	62.384/62.403	21.500	1.900	0.040/0.080	AL-LF	66699RA	
MB/HL 1	1	59.401/59.416	63.227/63.246	29.500	1.900	0.040/0.080	AL-LF	66699RAA	

1096  **84.00** **Petrol** 
116 (33) 4 Cyl. 9:1 1962cc **94kW (128)PS** **FM3549**



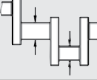

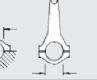






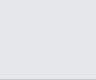

			
<p>87-107100-30 STD</p>  <p>A 32.75 B- 14.75 D 81.00  22x71</p>	<p>08-107100-00 STD</p> <p>1.50  CR P 1.75  P 4.50  P</p> <hr/> <p>08-107100-10 STD</p> <p>1.50  CR P 1.75  P 4.00  P</p>	<p>15-632000-00 WH [9] B 89.00 C 152.00 D 98.00 E 107.50</p> 	<p>89-107100-30 87-107100-30 + 15-632000-00</p>



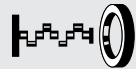

[9] Includes seals [9] Inclut des joints [9] Comprende le guarnizioni [9] Incluye los sellos

1097  **84.00** **Petrol** 
AR 00512 4 Cyl. 9:1 1962cc **96kW (131)PS** **TD75 414**



			
		<p>15-632000-00 WH [9] B 89.00 C 152.00 D 98.00 E 107.50</p> 	



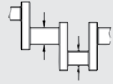
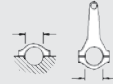






[9] Includes seals [9] Inclut des joints [9] Comprende le guarnizioni [9] Incluye los sellos



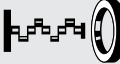

												
BE/PL	4	49.988/49.998	53.695/53.708	23.440	1.838	0.021/0.069	BS	60010CP	71-4168/4 STD 0.25 0.50			
MB/HL 1,3,5	3	59.960/59.973	63.657/63.676	25.530	1.837	0.020/0.067	BS	60011CP	H1030/5 STD 0.25 0.50			
MB/HL 2,4	2	59.960/59.973	63.657/63.676	18.360	1.837	0.020/0.067	BS	60012CP				
TW/A	4	65.786/66.040	82.423/82.677		2.362		AL-LF	2777AF	A178/4 STD			
SE/PB	1	21.994/22.000	25.120/25.146	23.720			BS	60014X	55-4280 SEMI			



		 <p>NA5066  35.00x50.00x10.00mm, ACM</p>
---	---	---



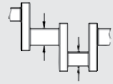
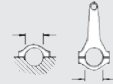






FIAT GROUP

1098		 84.00	Petrol							
AR 00515	4 Cyl.	1962cc	92-93kW (125-126)PS		TD21	415				
AR 01590	4 Cyl.	1962cc	93kW (126)PS		TD31	418				
AR 01615	4 Cyl.	1962cc	81kW (110)PS		TD21716					
AR 01713	4 Cyl.	1962cc	94-97kW (128-132)PS		TD41	421				
AR 10527	4 Cyl.	1962cc	96kW (131)PS		TD10127	425				

									
BE/PL	4	49.988/49.998	53.695/53.708	23.440	1.838	0.021/0.069	BS	60010CP	71-4168/4 STD 0.25 0.50
MB/HL 1,3,5	3	59.960/59.973	63.657/63.676	25.530	1.837	0.020/0.067	BS	60011CP	H1030/5 STD 0.25 0.50
MB/HL 2,4	2	59.960/59.973	63.657/63.676	18.360	1.837	0.020/0.067	BS	60012CP	
TW/A	4	65.786/66.040	82.423/82.677		2.362		AL-LF	2777AF	A178/4 STD
SE/PB	1	21.994/22.000	25.120/25.146	23.720			BS	60014X	55-4280 SEMI

		
		NA5066  35.00x50.00x10.00mm, ACM

1099		 84.00	Petrol								
AR 01212	4 Cyl.	1962cc	94kW (128)PS		TD27						
AR 11634	4 Cyl.	10:1	1962cc	82kW (112)PS		TD68					
AR 11655	4 Cyl.	10:1	1962cc	94-109kW (128-148)PS		TD23342					

									
BE/PL	4	49.988/49.998	53.695/53.708	23.440	1.838	0.021/0.069	BS	60010CP	71-4168/4 STD 0.25 0.50
MB/HL 1,3,5	3	59.960/59.973	63.657/63.676	25.530	1.837	0.020/0.067	BS	60011CP	H1030/5 STD 0.25 0.50
MB/HL 2,4	2	59.960/59.973	63.657/63.676	18.360	1.837	0.020/0.067	BS	60012CP	
TW/A	4	65.786/66.040	82.423/82.677		2.362		AL-LF	2777AF	A178/4 STD
SE/PB	1	21.994/22.000	25.120/25.146	23.720			BS	60014X	55-4280 SEMI

1100

84.00

Petrol



AR 01544

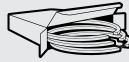
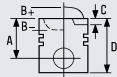
4 Cyl.

1962cc

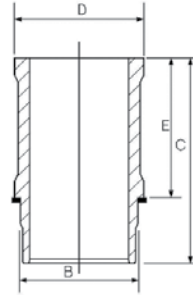
85kW (116)PS

TD28

416



15-632000-00 WH [9]
B 89.00 C 152.00 D 98.00 E 107.50



[9] Includes seals

[9] Inclut des joints

[9] Comprende le guarnizioni

[9] Incluye los sellos

BE/PL	4	49.988/49.998	53.695/53.708	23.440	1.838	0.021/0.069	BS	60010CP	71-4168/4 STD 0.25 0.50
MB/HL 1,3,5	3	59.960/59.973	63.657/63.676	25.530	1.837	0.020/0.067	BS	60011CP	H1030/5 STD 0.25 0.50
MB/HL 2,4	2	59.960/59.973	63.657/63.676	18.360	1.837	0.020/0.067	BS	60012CP	
TW/A	4	65.786/66.040	82.423/82.677		2.362		AL-LF	2777AF	A178/4 STD
SE/PB	1	21.994/22.000	25.120/25.146	23.720			BS	60014X	55-4280 SEMI



JJ452
(MVQ)
KV086

NA5066 35.00x50.00x10.00mm, ACM



JJ452

KV086

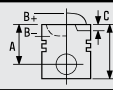
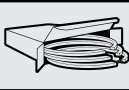


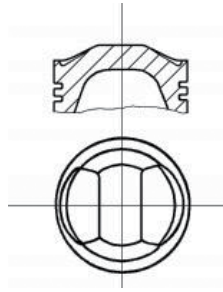


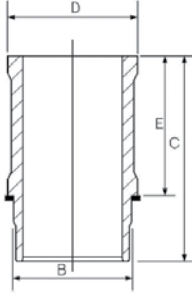
1101

 84.00

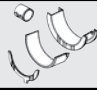

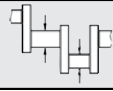
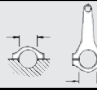


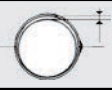

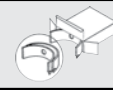
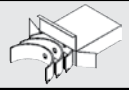
Petrol










AR 01588 4 Cyl. 1962cc 88kW (120)PS TD30 417

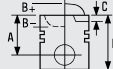
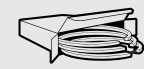
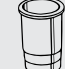
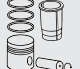



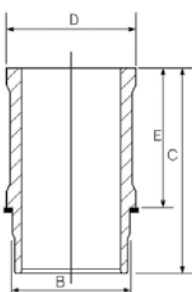



			
<p>87-110200-40 STD</p>  <p>A 32.75 B- 12.85 D 79.10  22x71</p>	<p>08-110200-00 STD</p>  <p>1.50 CR P 1.50 P 3.50 P</p>	<p>15-632000-00 WH [9] B 89.00 C 152.00 D 98.00 E 107.50</p> 	<p>89-110200-40 87-110200-40 + 15-632000-00</p>

[9] Includes seals [9] Inclut des joints [9] Comprende le guarnizioni [9] Incluye los sellos



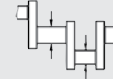
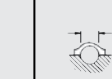






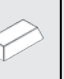


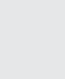


									
BE/PL	4	49.988/49.998	53.695/53.708	23.440	1.838	0.021/0.069	BS	60010CP	71-4168/4 STD 0.25 0.50
MB/HL 1,3,5	3	59.960/59.973	63.657/63.676	25.530	1.837	0.020/0.067	BS	60011CP	H1030/5 STD 0.25 0.50
MB/HL 2,4	2	59.960/59.973	63.657/63.676	18.360	1.837	0.020/0.067	BS	60012CP	
TW/A	4	65.786/66.040	82.423/82.677		2.362		AL-LF	2777AF	A178/4 STD
SE/PB	1	21.994/22.000	25.120/25.146	23.720			BS	60014X	55-4280 SEMI





		
	<p>JJ452 (MVQ) KV086</p>  <p>JJ452 KV086</p>	<p>NA5066  35.00x50.00x10.00mm, ACM</p>



1102	 84.00	Petrol	
AR 01623	4 Cyl.	1962cc	89-90kW (121-122)PS
AR 11671	4 Cyl.	10:1 1962cc	96kW (131)PS
			TD34 419
			TD70 425

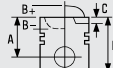
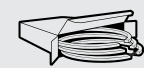

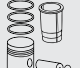
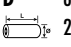




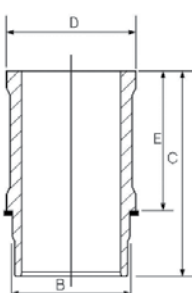


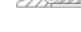
			
	08-107100-00 STD 1.50  CR P 1.75  P 4.50  P	15-632000-00 WH [9] B 89.00 C 152.00 D 98.00 E 107.50 	
	08-107100-10 STD 1.50  CR P 1.75  P 4.00  P		

[9] Includes seals [9] Inclut des joints [9] Comprende le guarnizioni [9] Incluye los sellos

															
BE/PL	4	49.988/49.998	53.695/53.708	23.440	1.838	0.021/0.069	BS	60010CP	71-4168/4 STD 0.25 0.50						
MB/HL 1,3,5	3	59.960/59.973	63.657/63.676	25.530	1.837	0.020/0.067	BS	60011CP	H1030/5 STD 0.25 0.50						
MB/HL 2,4	2	59.960/59.973	63.657/63.676	18.360	1.837	0.020/0.067	BS	60012CP							
TW/A	4	65.786/66.040	82.423/82.677		2.362		AL-LF	2777AF	A178/4 STD						
SE/PB	1	21.994/22.000	25.120/25.146	23.720			BS	60014X	55-4280 SEMI						

		
		NA5066  35.00x50.00x10.00mm, ACM




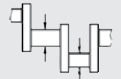
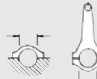








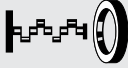
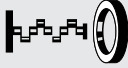
1103	 84.00	Petrol	
AR 01655	4 Cyl.	1962cc	96kW (131)PS
AR 06212	4 Cyl.	9.1:1 1962cc	94-96kW (128-131)PS
			TD37 420
			TD57 421



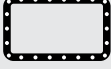


			
87-107100-40 STD A 33.20 B- 18.80 D 85.50  22x71	 08-107100-10 STD 1.50  CR P 1.75  P 4.00  P	15-632000-00 WH [9] B 89.00 C 152.00 D 98.00 E 107.50 	89-107100-40 87-107100-40 + 15-632000-00
	08-107100-00 STD 1.50  CR P 1.75  P 4.50  P		


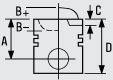


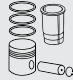
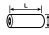
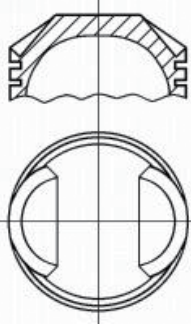



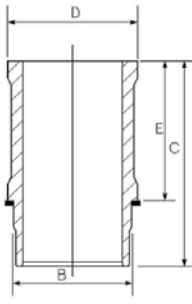
[9] Includes seals [9] Inclut des joints [9] Comprende le guarnizioni [9] Incluye los sellos

FIAT GROUP

...Continued



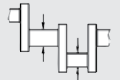
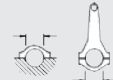




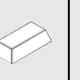




1103		 84.00	Petrol							
										
BE/PL	4	49.988/49.998	53.695/53.708	23.440	1.838	0.021/0.069	BS	60010CP	71-4168/4 STD 0.25 0.50	
MB/HL 1,3,5	3	59.960/59.973	63.657/63.676	25.530	1.837	0.020/0.067	BS	60011CP	H1030/5 STD 0.25 0.50	
MB/HL 2,4	2	59.960/59.973	63.657/63.676	18.360	1.837	0.020/0.067	BS	60012CP		
TW/A	4	65.786/66.040	82.423/82.677		2.362		AL-LF	2777AF	A178/4 STD	
SE/PB	1	21.994/22.000	25.120/25.146	23.720			BS	60014X	55-4280 SEMI	
										
							NA5066  35.00x50.00x10.00mm, ACM			

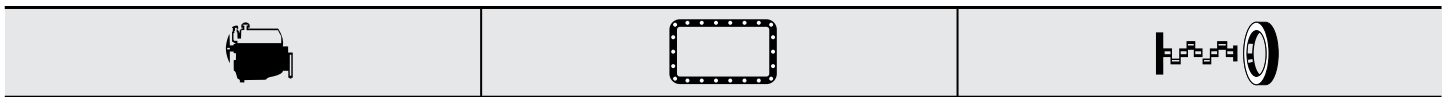
1104		 84.00	Petrol						
AR 01699	4 Cyl.	1962cc	125kW (170)PS	Turbocharged			TD40		
AR 11642	4 Cyl.	1962cc	111kW (151)PS				TD69	426	
									
							NA5066  35.00x50.00x10.00mm, ACM		

1105		 84.00	Petrol						
AR 06166	4 Cyl.	10:1	1962cc	107kW (146)PS				TD53	422
									
87-110200-30 STD A 33.75 B+ 1.25 D 67.50  22x71		08-110200-00 STD 1.50  CR P 1.50  P 3.50  P	15-632000-00 WH [9] B 89.00 C 152.00 D 98.00 E 107.50 	89-110200-30 87-110200-30 + 15-632000-00					
[9] Includes seals	[9] Inclut des joints	[9] Comprende le guarnizioni	[9] Incluye los sellos						

...Continued

1105  **84.00** **Petrol**

												
BE/PL	4	49.988/49.998	53.695/53.708	23.440	1.838	0.021/0.069	BS	60010CP	71-4168/4 STD 0.25 0.50			
MB/HL 1,3,5	3	59.960/59.973	63.657/63.676	25.530	1.837	0.020/0.067	BS	60011CP	H1030/5 STD 0.25 0.50			
MB/HL 2,4	2	59.960/59.973	63.657/63.676	18.360	1.837	0.020/0.067	BS	60012CP				
TW/A	4	65.786/66.040	82.423/82.677		2.362		AL-LF	2777AF	A178/4 STD			
SE/PB	1	21.994/22.000	25.120/25.146	23.720			BS	60014X	55-4280 SEMI			



JJ452
(MVQ)

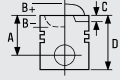
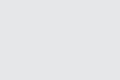
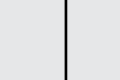
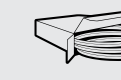

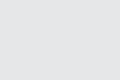

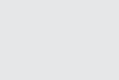
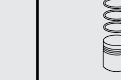
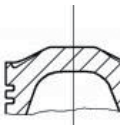

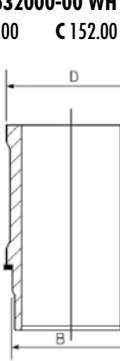
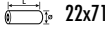
NA5066 35.00x50.00x10.00mm, ACM





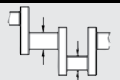
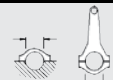




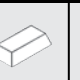




JJ452

1106  **84.00** **Petrol**

AR 06224 4 Cyl. 1962cc 107-109kW (146-148)PS TD58 422

								
87-110200-40	STD		08-110200-00	STD		15-632000-00 WH [9]	B 89.00 C 152.00 D 98.00 E 107.50	89-110200-40
A 32.75			1.50	CR P				87-110200-40 +
B- 12.85			1.50	P				15-632000-00
D 79.10			3.50	P				
	22x71							



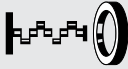
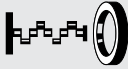

[9] Includes seals [9] Inclut des joints [9] Comprende le guarnizioni [9] Incluye los sellos

												
BE/PL	4	49.988/49.998	53.695/53.708	23.440	1.838	0.021/0.069	BS	60010CP	71-4168/4 STD 0.25 0.50			
MB/HL 1,3,5	3	59.960/59.973	63.657/63.676	25.530	1.837	0.020/0.067	BS	60011CP	H1030/5 STD 0.25 0.50			
MB/HL 2,4	2	59.960/59.973	63.657/63.676	18.360	1.837	0.020/0.067	BS	60012CP				
TW/A	4	65.786/66.040	82.423/82.677		2.362		AL-LF	2777AF	A178/4 STD			
SE/PB	1	21.994/22.000	25.120/25.146	23.720			BS	60014X	55-4280 SEMI			

FIAT GROUP

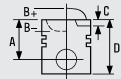

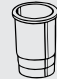

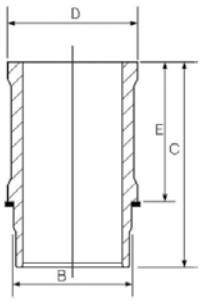
...Continued

1106 84.00 Petrol

		
	JJ452 (MVQ)	NA5066  35.00x50.00x10.00mm, ACM
		
	JJ452	

1107 84.00 Petrol

AR 10512	4 Cyl.	10:1	1962cc	96kW (131)PS	TD5351	423
AR 11633	4 Cyl.	9:1	1962cc	82-96kW (112-131)PS	TD22398	
AR 19510	4 Cyl.	10:1	1962cc	104-109kW (142-148)PS	TD23344	



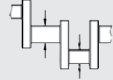
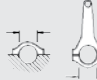






			
		15-632000-00 WH [9] B 89.00 C 152.00 D 98.00 E 107.50	
			



[9] Includes seals

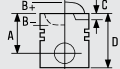
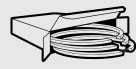
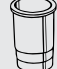
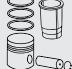






[9] Inclut des joints

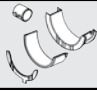

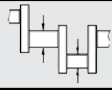
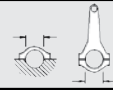


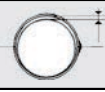

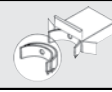
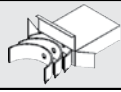
[9] Comprende le guarnizioni





[9] Incluye los sellos



									
BE/PL	4	49.988/49.998	53.695/53.708	23.440	1.838	0.021/0.069	BS	60010CP	71-4168/4 STD 0.25 0.50
MB/HL 1,3,5	3	59.960/59.973	63.657/63.676	25.530	1.837	0.020/0.067	BS	60011CP	H1030/5 STD 0.25 0.50
MB/HL 2,4	2	59.960/59.973	63.657/63.676	18.360	1.837	0.020/0.067	BS	60012CP	
TW/A	4	65.786/66.040	82.423/82.677		2.362		AL-LF	2777AF	A178/4 STD
SE/PB	1	21.994/22.000	25.120/25.146	23.720			BS	60014X	55-4280 SEMI

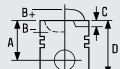
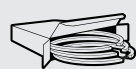

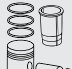



1108  **84.00** **Petrol** 
AR 10520 4 Cyl. 1962cc **97kW (132)PS** **TD10270** **424**

			
	<p>08-107100-00 STD</p> <p>1.50  CR P 1.75  P 4.50  P</p>		
	<p>08-107100-10 STD</p> <p>1.50  CR P 1.75  P 4.00  P</p>		

									
BE/PL	4	49.988/49.998	53.695/53.708	23.440	1.838	0.021/0.069	BS	60010CP	71-4168/4 STD 0.25 0.50
MB/HL 1,3,5	3	59.960/59.973	63.657/63.676	25.530	1.837	0.020/0.067	BS	60011CP	H1030/5 STD 0.25 0.50
MB/HL 2,4	2	59.960/59.973	63.657/63.676	18.360	1.837	0.020/0.067	BS	60012CP	
TW/A	4	65.786/66.040	82.423/82.677		2.362		AL-LF	2777AF	A178/4 STD
SE/PB	1	21.994/22.000	25.120/25.146	23.720			BS	60014X	55-4280 SEMI

		
		NA5066  35.00x50.00x10.00mm, ACM

1109  **84.00** **Petrol** 
131 B2.000 4 Cyl. 8.9:1 1995cc **85-103kW (115-140)PS** **TD900** **427**



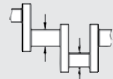
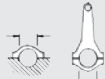




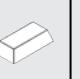

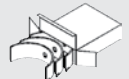
			
	<p>08-207600-00 STD 08-207604-00 0.20mm 08-207606-00 0.40mm 08-207608-00 0.60mm</p> <p>1.50  CR P 2.00  P 3.95  CR [15]</p>		



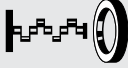
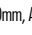


[15] Steel [15] Acier [15] Acciaio [15] Acero

FIAT GROUP

...Continued

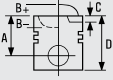
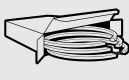





1109 84.00 Petrol



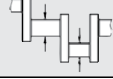
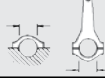




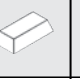

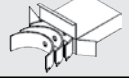
										
BE/PL	4	50.782/50.802	53.897/53.913	19.500	1.537	0.021/0.082	AL-LF	66240RA	01-4175/4 STD 0.25 0.50 0.75 1.00	
Mot.402353 →										
MB/HL 1,2,4,5	4	52.985/53.005	56.717/56.730	20.750	1.841	0.030/0.088	AL-LF	66316RA	H1043/5 STD 0.25 0.50 0.75	
MB/HL 3	1	52.985/53.005	56.717/56.730	24.250	1.841	0.030/0.088	AL-LF	66317RA		
TW/A	2	59.000/59.250	73.600/73.850		2.362		BS	62037AF	A201/2 STD .005	
SE/PB	1	21.539/21.641	23.939/23.972	25.100			BS	62039Y	55-4288 SEMI	

		
	JJ298 (Cork)	NB818  40.00x56.00x7.00mm, ACM NB732  74.00x90.00x10.00mm, FPM
		
	JJ298	







1110 84.00 Petrol



131 C4.000 4 Cyl. 9:1 1995cc **83-85kW (113-116)PS** **TD4350** **428**



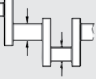
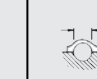






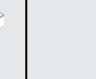
			
	08-207600-00 STD 08-207604-00 0.20mm 08-207606-00 0.40mm 08-207608-00 0.60mm 1.50  CR P 2.00  P 3.95  CR [15]		
[15] Steel	[15] Acier	[15] Acciaio	[15] Acero



										
BE/PL	4	50.782/50.802	53.897/53.913	19.500	1.537	0.021/0.082	AL-LF	66240RA	01-4175/4 STD 0.25 0.50 0.75 1.00	
Mot.402353 →										
MB/HL 1,2,4,5	4	52.985/53.005	56.717/56.730	20.750	1.841	0.030/0.088	AL-LF	66316RA	H1043/5 STD 0.25 0.50 0.75	
MB/HL 3	1	52.985/53.005	56.717/56.730	24.250	1.841	0.030/0.088	AL-LF	66317RA		
TW/A	2	59.000/59.250	73.600/73.850		2.362		BS	62037AF	A201/2 STD .005	
SE/PB	1	21.539/21.641	23.939/23.972	25.100			BS	62039Y	55-4288 SEMI	
CB/NWB	4	27.982/28.000	31.200/31.218	18.150	1.594		AL-LF	03-3981	N151/6 STD	
CB/NWB	8	27.982/28.000	31.200/31.218	18.150	1.594		AL-LF	03-3982		

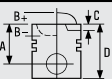
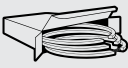

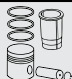



...Continued

1110	 84.00	Petrol
		
	JH111	NA5050  70.00x90.00x10.00mm, ACM
		
	JH111	

1111	 84.00	Petrol				
132 B2.000	4 Cyl.	9:1	1995cc	83kW (113)PS	TD23356	
132 C2.031	4 Cyl.	8.1:1	1995cc	59kW (80)PS	TD20757	
132 C2.040	4 Cyl.	8.1:1	1995cc	63kW (86)PS	TD20756	
132 C3.040	4 Cyl.	8.1:1	1995cc	59kW (80)PS	TD20758	
132 DB.2A.O	4 Cyl.	9:1	1995cc	82kW (112)PS	TD23460	
138 AR1.000	4 Cyl.		1995cc	92kW (125)PS	TD4360	433
138 AR2.000	4 Cyl.		1995cc	96kW (130)PS	TD4361	433

										
BE/PL	4	50.782/50.802	53.897/53.913	19.500	1.537	0.021/0.082	AL-LF	66240RA	01-4175/4 STD 0.25 0.50 0.75 1.00	
Mot.402353 →										
MB/HL 1,2,4,5	4	52.985/53.005	56.717/56.730	20.750	1.841	0.030/0.088	AL-LF	66316RA	H1043/5 STD 0.25 0.50 0.75	
MB/HL 3	1	52.985/53.005	56.717/56.730	24.250	1.841	0.030/0.088	AL-LF	66317RA		
TW/A	2	59.000/59.250	73.600/73.850		2.362		BS	62037AF	A201/2 STD .005	
SE/PB	1	21.539/21.641	25.000/25.021	25.100			BS	66649Y	55-4193 SEMI	
01/85 →										
SE/PB	1	21.539/21.641	23.939/23.972	25.100			BS	62039Y	55-4288 SEMI	
→12/84										

1112	 84.00	Petrol				
132 C2.000	4 Cyl.	8.9:1	1995cc	82-84kW (112-115)PS	TD910	430
132 C3.000	4 Cyl.	9:1	1995cc	88-90kW (120-122)PS	TD4353	431
132 D1.000	4 Cyl.	9:1	1995cc	83kW (113)PS	TD4354	430

			
	08-207600-00 STD 08-207604-00 0.20mm 08-207606-00 0.40mm 08-207608-00 0.60mm 1.50  CR P 2.00  P 3.95  CR [15]		

[15] Steel




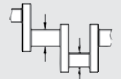









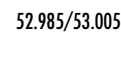
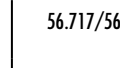
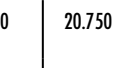
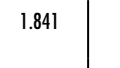

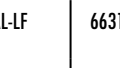
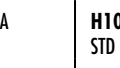
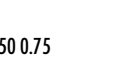
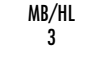
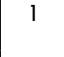
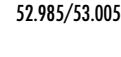
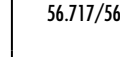
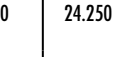
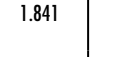
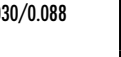

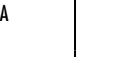

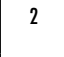
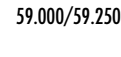

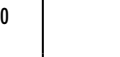

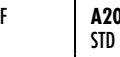


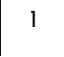
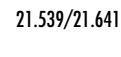
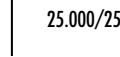
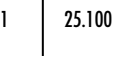




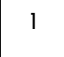
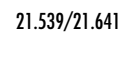
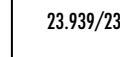
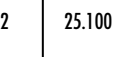

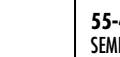

[15] Acier


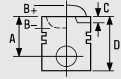
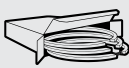

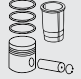



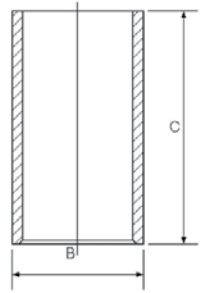



[15] Acciaio

[15] Acero




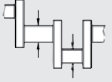
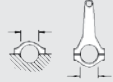


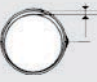


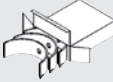
FIAT GROUP


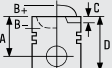
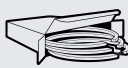
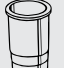
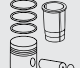



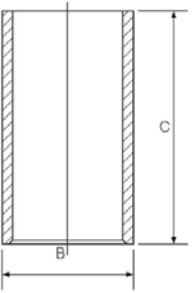



...Continued

1112		 84.00	Petrol								
											
BE/PL	4	50.782/50.802	53.897/53.913	19.500	1.537	0.021/0.082	AL-LF	66240RA	01-4175/4 STD 0.25 0.50 0.75 1.00		
Mot.402353 →											
											
MB/HL 1,2,4,5	4	52.985/53.005	56.717/56.730	20.750	1.841	0.030/0.088	AL-LF	66316RA	H1043/5 STD 0.25 0.50 0.75		
											
MB/HL 3	1	52.985/53.005	56.717/56.730	24.250	1.841	0.030/0.088	AL-LF	66317RA			
											
TW/A	2	59.000/59.250	73.600/73.850	2.362			BS	62037AF	A201/2 STD .005		
											
SE/PB	1	21.539/21.641	25.000/25.021	25.100			BS	66649Y	55-4193 SEMI		
01/85 →											
											
SE/PB	1	21.539/21.641	23.939/23.972	25.100			BS	62039Y	55-4288 SEMI		
→12/84											



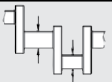
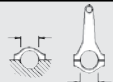





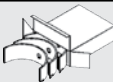
1113		 84.00	Petrol								
132 C3.031		4 Cyl.	9:1	1995cc	76-77kW (103-105)PS			TD908	432		
											
		08-207600-00 STD 08-207604-00 0.20mm 08-207606-00 0.40mm 08-207608-00 0.60mm		14-011041-00 D B 88.06 C 152.00							
		1.50  CR P 2.00  P 3.95  CR [15]									
		08-215300-10 STD 08-215306-10 0.40mm 08-215308-10 0.60mm 02/88 →									
		1.50  CR P 2.00  P 3.95  P									
[15] Steel	[15] Acier	[15] Acciaio	[15] Acero								

...Continued

1113		 84.00		Petrol						
										
BE/PL	4	50.782/50.802	53.897/53.913	19.500	1.537	0.021/0.082	AL-LF	66240RA	01-4175/4 STD 0.25 0.50 0.75 1.00	
Mot.402353 →										
MB/HL 1,2,4,5	4	52.985/53.005	56.717/56.730	20.750	1.841	0.030/0.088	AL-LF	66316RA	H1043/5 STD 0.25 0.50 0.75	
MB/HL 3	1	52.985/53.005	56.717/56.730	24.250	1.841	0.030/0.088	AL-LF	66317RA		
TW/A	2	59.000/59.250	73.600/73.850		2.362		BS	62037AF	A201/2 STD .005	
SE/PB	1	21.539/21.641	25.000/25.021	25.100			BS	66649Y	55-4193 SEMI	
01/85 →										
SE/PB	1	21.539/21.641	23.939/23.972	25.100			BS	62039Y	55-4288 SEMI	
→ 12/84										




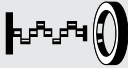


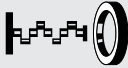
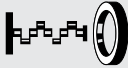
1114		 84.00		Petrol						
154 A1.000		4 Cyl.	8:1	1995cc	66kW (90)PS	Turbocharged	TD1077 434			
										
		08-207600-00 STD 08-207604-00 0.20mm 08-207606-00 0.40mm 08-207608-00 0.60mm 1.50  CR P 2.00  P 3.95  CR [15]	14-011041-00 D B 88.06 C 152.00 							
		08-215300-10 STD 08-215306-10 0.40mm 08-215308-10 0.60mm 02/88 → 1.50  CR P 2.00  P 3.95  P								



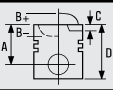
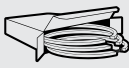



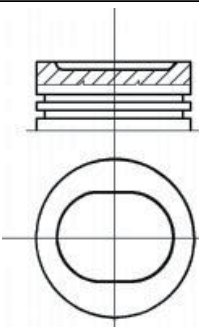






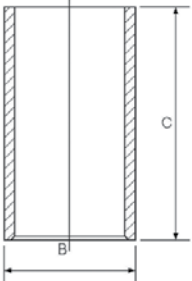
[15] Steel [15] Acier [15] Acciaio [15] Acero



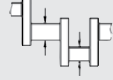
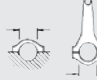





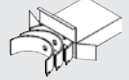
									
BE/PL	4	50.792/50.805	53.892/53.910	19.500	1.537	0.010/0.070	BS	1150CP	71-4120/4 STD 0.25 0.50
MB/HL 1,2,4,5	4	52.990/53.010	56.717/56.735	20.750	1.843	0.020/0.080	BS	4128CP	H1084/5 STD 0.25 0.50
MB/HL 3	1	52.990/53.010	56.717/56.735	24.250	1.843	0.020/0.080	BS	4129CP	
TW/A	2	59.000/59.250	73.600/73.850		2.362		BS	62037AF	A201/2 STD .005
SE/PB	1	21.539/21.641	25.000/25.021	25.100			BS	66649Y	55-4193 SEMI

FIAT GROUP

...Continued








1114	 84.00	Petrol
		
	JJ298 (Cork) JJ413   JJ298 JJ413	NB742  30.00x43.00x8.00mm, ACM NB732  74.00x90.00x10.00mm, FPM

1115	 84.00	Petrol					
154 A2.000	4 Cyl.	8:1	1995cc	114kW (155)PS	Turbo Intercooled	TD1083	435
							
87-215300-10 STD 87-215308-10 0.60mm A 39.50 B- 4.50 D 79.00  22x69		08-215300-10 STD 08-215306-10 0.40mm 08-215308-10 0.60mm 02/88 → 1.50  CR P 2.00  P 3.95  P 08-207600-00 STD 08-207604-00 0.20mm 08-207606-00 0.40mm 08-207608-00 0.60mm 1.50  CR P 2.00  P 3.95  CR [15]	14-011041-00 D B 88.06 C 152.00 				
[15] Steel	[15] Acier	[15] Acciaio	[15] Acero				

									
BE/PL	4	50.787/50.807	53.892/53.910	19.500	1.537	0.020/0.070	BS	1040CP	71-4118/4 STD 0.25 0.50
MB/HL 1,2,4,5	4	52.990/53.010	56.717/56.735	20.750	1.843	0.020/0.080	BS	4128CP	H1084/5 STD 0.25 0.50
MB/HL 3	1	52.990/53.010	56.717/56.735	24.250	1.843	0.020/0.080	BS	4129CP	
TW/A	2	59.000/59.250	73.600/73.850		2.362		BS	62037AF	A201/2 STD .005
SE/PB	1	21.539/21.641	25.000/25.021	25.100			BS	66649Y	55-4193 SEMI



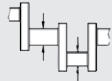
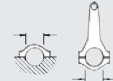





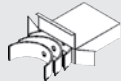
...Continued


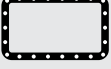




1115  **84.00** **Petrol**

		
	<p>JJ298 (Cork) →Eng.1239615 JJ413</p> <div style="display: flex; justify-content: space-around;">   </div> <p>JJ298 JJ413</p>	<p>NB742  30.00x43.00x8.00mm, ACM NB732  74.00x90.00x10.00mm, FPM</p>

1116  **84.00** **Petrol** 

154 C3.000 4 Cyl. 9.75:1 1995cc **88kW (120)PS** **TD18822** **436**

									
BE/PL	4	50.787/50.807	53.901/53.913	19.500	1.534	0.028/0.083	BS	4350CP	71-4157/4 STD 0.25 0.50
MB/HL 1,2,4,5	4	52.985/53.005	56.717/56.730	20.750	1.841	0.030/0.088	AL-LF	66316RA	H1043/5 STD 0.25 0.50 0.75
MB/HL 3	1	52.985/53.005	56.717/56.730	24.250	1.841	0.030/0.088	AL-LF	66317RA	
TW/A	2	59.000/59.250	73.600/73.850		2.362		BS	62037AF	A201/2 STD .005
SE/PB	1	21.539/21.641	25.000/25.021	25.100			BS	66649Y	55-4193 SEMI

		
	<p>JJ413</p> <div style="text-align: center;">  </div> <p>JJ413</p>	<p>NB742  30.00x43.00x8.00mm, ACM NB732  74.00x90.00x10.00mm, FPM</p>

1117



84.00

Petrol



154 C3.046

4 Cyl.

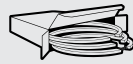
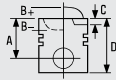
9.75:1

1995cc

85kW (116)PS

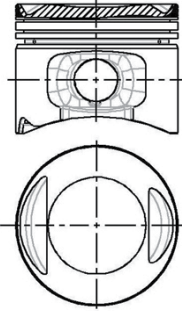
TD984

437



87-215300-00
87-215306-00
87-215308-00

STD
0.40mm
0.60mm



08-215300-10 STD
08-215306-10 0.40mm
08-215308-10 0.60mm

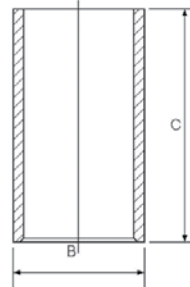
02/88 →

1.50 CR P
2.00 P
3.95 P

08-207600-00 STD
08-207604-00 0.20mm
08-207606-00 0.40mm
08-207608-00 0.60mm

1.50 CR P
2.00 P
3.95 CR [15]

14-011041-00 D
B 88.06 C 152.00



A 39.80
B- 1.60
D 67.80
22x63

[15] Steel [15] Acier [15] Acciaio [15] Acero

BE/PL	4	50.787/50.807	53.901/53.913	19.500	1.534	0.028/0.083	BS	4350CP	71-4157/4 STD 0.25 0.50
MB/HL 1,2,4,5	4	52.985/53.005	56.717/56.730	20.750	1.841	0.030/0.088	AL-LF	66316RA	H1043/5 STD 0.25 0.50 0.75
MB/HL 3	1	52.985/53.005	56.717/56.730	24.250	1.841	0.030/0.088	AL-LF	66317RA	
TW/A	2	59.000/59.250	73.600/73.850		2.362		BS	62037AF	A201/2 STD .005
SE/PB	1	21.539/21.641	25.000/25.021	25.100			BS	66649Y	55-4193 SEMI





JJ413



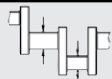







NB742 30.00x43.00x8.00mm, ACM
NB732 74.00x90.00x10.00mm, FPM





JJ413

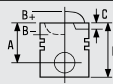
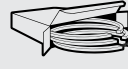


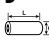
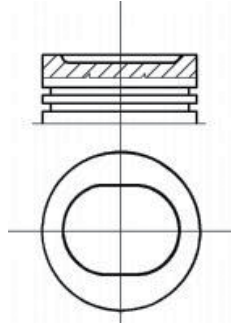



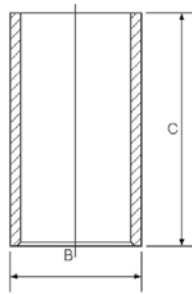



1118  **84.00** **Petrol** 

154 C4.000 4 Cyl. 8:1 1995cc **114kW (155)PS** **Turbo Intercooled** **TD18823**



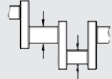
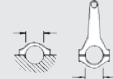






									
BE/PL	4	50.787/50.807	53.892/53.910	19.500	1.537	0.020/0.070	BS	1040CP	71-4118/4 STD 0.25 0.50
MB/HL 1,2,4,5	4	52.990/53.010	56.717/56.735	20.750	1.843	0.020/0.080	BS	4128CP	H1084/5 STD 0.25 0.50
MB/HL 3	1	52.990/53.010	56.717/56.735	24.250	1.843	0.020/0.080	BS	4129CP	
TW/A	2	59.000/59.250	73.600/73.850		2.362		BS	62037AF	A201/2 STD .005
SE/PB	1	21.539/21.641	25.000/25.021	25.100			BS	66649Y	55-4193 SEMI

1119  **84.00** **Petrol** 

154 C4.046 4 Cyl. 8:1 1995cc **110kW (150)PS** **Turbo Intercooled** **TD986** **438**

			
<p>87-215300-10 STD</p> <p>87-215308-10 0.60mm</p> <p>A 39.50</p> <p>B- 4.50</p> <p>D 79.00</p> <p> 22x69</p> 	<p>08-215300-10 STD</p> <p>08-215306-10 0.40mm</p> <p>08-215308-10 0.60mm</p> <p>02/88 →</p> <p>1.50  CR P</p> <p>2.00  P</p> <p>3.95  P</p>	<p>14-011041-00 D</p> <p>B 88.06 C 152.00</p> 	
	<p>08-207600-00 STD</p> <p>08-207604-00 0.20mm</p> <p>08-207606-00 0.40mm</p> <p>08-207608-00 0.60mm</p> <p>1.50  CR P</p> <p>2.00  P</p> <p>3.95  CR [15]</p>		

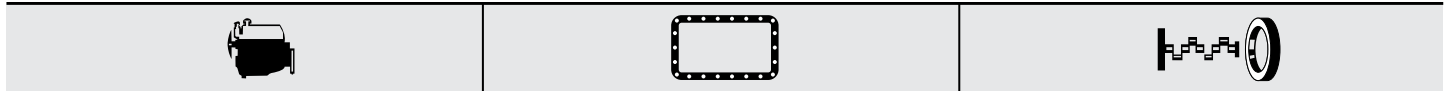
[15] Steel [15] Acier [15] Acciaio [15] Acero

									
BE/PL	4	50.787/50.807	53.892/53.910	19.500	1.537	0.020/0.070	BS	1040CP	71-4118/4 STD 0.25 0.50
MB/HL 1,2,4,5	4	52.990/53.010	56.717/56.735	20.750	1.843	0.020/0.080	BS	4128CP	H1084/5 STD 0.25 0.50
MB/HL 3	1	52.990/53.010	56.717/56.735	24.250	1.843	0.020/0.080	BS	4129CP	
TW/A	2	59.000/59.250	73.600/73.850		2.362		BS	62037AF	A201/2 STD .005
SE/PB	1	21.539/21.641	25.000/25.021	25.100			BS	66649Y	55-4193 SEMI


FIAT GROUP

...Continued

1119 84.00 Petrol



JJ413



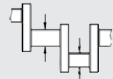
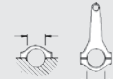






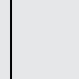
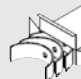

NB742  30.00x43.00x8.00mm, ACM



JJ413

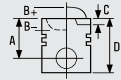

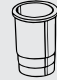




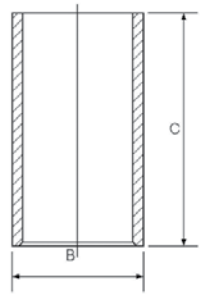
1120 84.00 Petrol

154 C5.000 4 Cyl. 9.5:1 1995cc 66kW (90)PS TD23358

												
BE/PL	4	50.792/50.805	53.892/53.910	19.500	1.537	0.010/0.070	BS	1150CP	71-4120/4 STD 0.25 0.50			
MB/HL 1,2,4,5	4	52.990/53.010	56.717/56.735	20.750	1.843	0.020/0.080	BS	4128CP	H1084/5 STD 0.25 0.50			
MB/HL 3	1	52.990/53.010	56.717/56.735	24.250	1.843	0.020/0.080	BS	4129CP				
TW/A	2	59.000/59.250	73.600/73.850		2.362		BS	62037AF	A201/2 STD .005			
SE/PB	1	21.539/21.641	25.000/25.021	25.100			BS	66649Y	55-4193 SEMI			



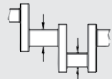
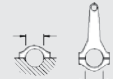





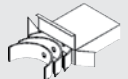
1121 84.00 Petrol

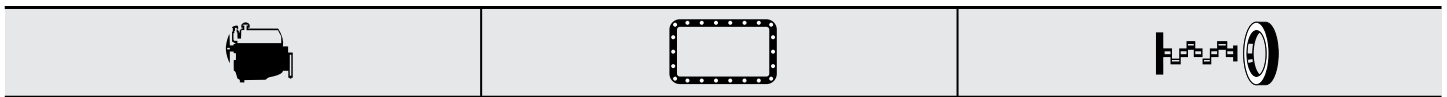
154 E1.000	4 Cyl.	1995cc	101kW (137)PS	TD989	439
834 F1.000	4 Cyl.	1995cc	110-112kW (150-152)PS	TD1831	467
836 A3.000	4 Cyl.	10.5:1 1995cc	102kW (139)PS	TD1071	476
836 A3.000	4 Cyl.	10:1 1995cc	102-108kW (139-147)PS	TD4614	475

			
	<p>08-142400-00 STD</p> <p>08-142406-00 0.40mm</p> <p>1.50  CK</p> <p>1.50  P</p> <p>3.00  P</p>	<p>14-011041-00 D</p> <p>B 88.06 C 152.00</p> 	



...Continued

1121  **84.00** **Petrol**

									
BE/PL	4	50.787/50.807	53.901/53.913	19.500	1.534	0.028/0.083	BS	4350CP	71-4157/4 STD 0.25 0.50
MB/HL 1,2,4,5	4	52.990/53.010	56.717/56.735	20.750	1.843	0.020/0.080	BS	4128CP	H1084/5 STD 0.25 0.50
MB/HL 3	1	52.990/53.010	56.717/56.735	24.250	1.843	0.020/0.080	BS	4129CP	
TW/A	2	59.000/59.250	73.600/73.850		2.362		BS	62037AF	A201/2 STD .005
SE/PB	1	21.539/21.641	25.000/25.021	25.100			BS	66649Y	55-4193 SEMI



JJ413

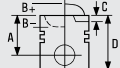
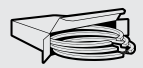

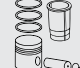



NB742  30.00x43.00x8.00mm, ACM
NB732  74.00x90.00x10.00mm, FPM



JJ413

1122  **84.00** **Petrol**

159 A5.046 4 Cyl. 9.5:1 1995cc **80-85kW (109-116)PS** TD1011 **440**



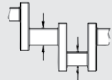
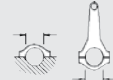





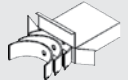
			
	<p>08-207600-00 STD 08-207604-00 0.20mm 08-207606-00 0.40mm 08-207608-00 0.60mm</p> <p>1.50  CR P 2.00  P 3.95  CR [15]</p>		

[15] Steel

[15] Acier

[15] Acciaio

[15] Acero

									
BE/PL	4	50.787/50.807	53.892/53.910	19.500	1.537	0.020/0.070	BS	1040CP	71-4118/4 STD 0.25 0.50
MB/HL 1,2,4,5	4	52.985/53.005	56.717/56.730	20.750	1.841	0.030/0.088	AL-LF	66316RA	H1043/5 STD 0.25 0.50 0.75
MB/HL 3	1	52.985/53.005	56.717/56.730	24.250	1.841	0.030/0.088	AL-LF	66317RA	
TW/A	2	59.000/59.250	73.600/73.850		2.362		BS	62037AF	A201/2 STD .005
SE/PB	1	21.539/21.641	25.000/25.021	25.100			BS	66649Y	55-4193 SEMI

1123



84.00

Petrol



159 A6.046

4 Cyl.

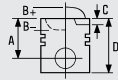
9.5:1

1995cc

83-85kW (113-116)PS

TD1012

441



08-207600-00 STD
 08-207604-00 0.20mm
 08-207606-00 0.40mm
 08-207608-00 0.60mm

1.50 CR P
 2.00 P
 3.95 CR [15]

[15] Steel

[15] Acier

[15] Acciaio

[15] Acero

BE/PL	4	50.787/50.807	53.892/53.910	19.500	1.537	0.020/0.070	BS	1040CP	71-4118/4 STD 0.25 0.50
MB/HL 1,2,4,5	4	52.985/53.005	56.717/56.730	20.750	1.841	0.030/0.088	AL-LF	66316RA	H1043/5 STD 0.25 0.50 0.75
MB/HL 3	1	52.985/53.005	56.717/56.730	24.250	1.841	0.030/0.088	AL-LF	66317RA	
TW/A	2	59.000/59.250	73.600/73.850		2.362		BS	62037AF	A201/2 STD .005
SE/PB	1	21.539/21.641	25.000/25.021	25.100			BS	66649Y	55-4193 SEMI



JJ298
(Cork)



JJ298

NB742 30.00x43.00x8.00mm, ACM
 NB825 30.00x43.00x8.00mm, FPM

1124



84.00

Petrol



160 A8.046

4 Cyl.

1995cc

107kW (146)PS

TD1024

442

834 C1.246

4 Cyl.

8:1

1995cc

130kW (177)PS

Turbo Intercooled







TD1836

466

BE/PL	4	50.787/50.807	53.901/53.913	19.500	1.534	0.028/0.083	BS	4350CP	71-4157/4 STD 0.25 0.50
MB/HL 1,2,4,5	4	52.990/53.010	56.717/56.735	20.750	1.843	0.020/0.080	BS	4128CP	H1084/5 STD 0.25 0.50
MB/HL 3	1	52.990/53.010	56.717/56.735	24.250	1.843	0.020/0.080	BS	4129CP	
TW/A	2	59.000/59.250	73.600/73.850		2.362		BS	62037AF	A201/2 STD .005
SE/PB	1	21.539/21.641	25.000/25.021	25.100			BS	66649Y	55-4193 SEMI

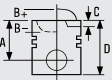
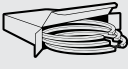


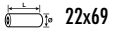
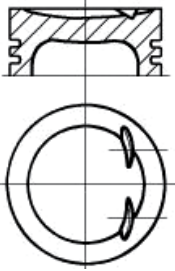
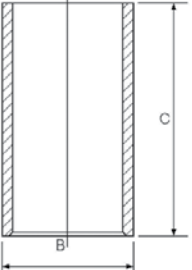
...Continued



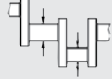







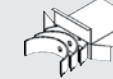
1124  **84.00** **Petrol**







		
	JJ413	NB742  30.00x43.00x8.00mm, ACM NB732  74.00x90.00x10.00mm, FPM
		
	JJ413	

1125  **84.00** **Petrol** 

175 A1.000	4 Cyl.	8:1	1995cc	140kW (190)PS	Turbo Intercooled	TD4395	443
831 E5.000	4 Cyl.	8:1	1995cc	155kW (211)PS	Turbocharged	TD1827	452
831 E5.046	4 Cyl.	8:1	1995cc	155kW (211)PS	Turbocharged	TD1826	452
836 A2.000	4 Cyl.	10:1	1995cc	137kW (186)PS	Turbo Intercooled	TD5435	474

			
87-142400-00 87-142406-00	STD 0.40mm	08-142400-00 STD 08-142406-00 0.40mm	14-011041-00 D B 88.06 C 152.00
A 39.00 B- 6.00 BØ 72.00 C 2.00 D 69.00  22x69		1.50 CK 1.50 P 3.00 P	
AK			

										
BE/PL	4	50.787/50.807	53.901/53.913	19.500	1.534	0.028/0.083	BS	4350CP	71-4157/4 STD 0.25 0.50	
MB/HL 1,2,4,5	4	52.990/53.010	56.717/56.735	20.750	1.843	0.020/0.080	BS	4128CP	H1084/5 STD 0.25 0.50	
MB/HL 3	1	52.990/53.010	56.717/56.735	24.250	1.843	0.020/0.080	BS	4129CP		
TW/A	2	59.000/59.250	73.600/73.850		2.362		BS	62037AF	A201/2 STD .005	
SE/PB	1	21.539/21.641	25.000/25.021	25.100			BS	66649Y	55-4193 SEMI	

		
	JJ413	NB825  30.00x43.00x8.00mm, FPM NB732  74.00x90.00x10.00mm, FPM
		
	JJ413	

FIAT GROUP

1126

84.00

Petrol



175 A4.000	4 Cyl.	8:1	1995cc	142kW (193)PS	Turbocharged	TD11827	444
834 C1.000	4 Cyl.	8:1	1995cc	133kW (181)PS	Turbo Intercooled	TD1835	465
834 F2.000	4 Cyl.		1995cc	148kW (202)PS	Turbo Intercooled	TD1840	468

87-142400-00 STD 87-142406-00 0.40mm A 39.00 B- 6.00 BØ 72.00 C 2.00 D 69.00 22x69 AK	08-142400-00 STD 08-142406-00 0.40mm 1.50 CK 1.50 P 3.00 P	14-011041-00 D B 88.06 C 152.00 	

BE/PL	4	50.787/50.807	53.901/53.913	19.500	1.534	0.028/0.083	BS	4350CP	71-4157/4 STD 0.25 0.50
MB/HL 1,2,4,5	4	52.990/53.010	56.717/56.735	20.750	1.843	0.020/0.080	BS	4128CP	H1084/5 STD 0.25 0.50
MB/HL 3	1	52.990/53.010	56.717/56.735	24.250	1.843	0.020/0.080	BS	4129CP	
TW/A	2	59.000/59.250	73.600/73.850		2.362		BS	62037AF	A201/2 STD .005
SE/PB	1	21.539/21.641	25.000/25.021	25.100			BS	66649Y	55-4193 SEMI

1127

84.00

Petrol



828 B4.000	4 Cyl.	8.9:1	1995cc	90kW (122)PS		TD4602	445
------------	--------	-------	--------	--------------	--	--------	-----

	08-207600-00 STD 08-207604-00 0.20mm 08-207606-00 0.40mm 08-207608-00 0.60mm 1.50 CR P 2.00 P 3.95 CR [15]	14-011041-00 D B 88.06 C 152.00 	
	08-215300-10 STD 08-215306-10 0.40mm 08-215308-10 0.60mm 02/88 → 1.50 CR P 2.00 P 3.95 P		

[15] Steel



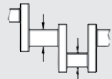
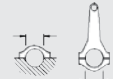





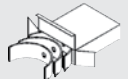
[15] Acier


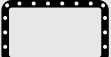
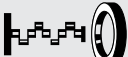
[15] Acciaio

[15] Acero


...Continued

1127  **84.00** **Petrol**

									
BE/PL	4	50.782/50.802	53.897/53.913	19.500	1.537	0.021/0.082	AL-LF	66240RA	01-4175/4 STD 0.25 0.50 0.75 1.00
MB/HL 1,2,4,5	4	52.985/53.005	56.717/56.730	20.750	1.841	0.030/0.088	AL-LF	66316RA	H1043/5 STD 0.25 0.50 0.75
MB/HL 3	1	52.985/53.005	56.717/56.730	24.250	1.841	0.030/0.088	AL-LF	66317RA	
TW/A	2	59.000/59.250	73.600/73.850		2.362		BS	62037AF	A201/2 STD .005
SE/PB	1	21.539/21.641	25.000/25.021	25.100			BS	66649Y	55-4193 SEMI
SE/PB	1	21.539/21.641	23.939/23.972	25.100			BS	62039Y	55-4288 SEMI

		
---	---	---

JH111

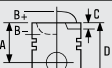

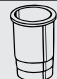

NB732  74.00x90.00x10.00mm, FPM






JH111

1128  **84.00** **Petrol** 

831 B4.000 4 Cyl. 9.7:1 1995cc 85kW (115)PS TD1812 447

			
---	---	---	---

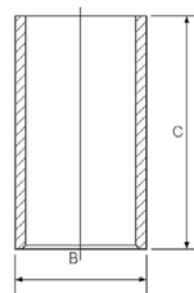
- 08-207600-00 STD
- 08-207604-00 0.20mm
- 08-207606-00 0.40mm
- 08-207608-00 0.60mm

- 1.50  CR P
- 2.00  P
- 3.95  CR [15]

- 08-215300-10 STD
- 08-215306-10 0.40mm
- 08-215308-10 0.60mm
- 02/88 →

- 1.50  CR P
- 2.00  P
- 3.95  P

14-011041-00 D
B 88.06 C 152.00



[15] Steel

[15] Acier



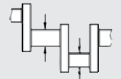
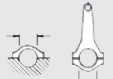





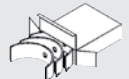
[15] Acciaio

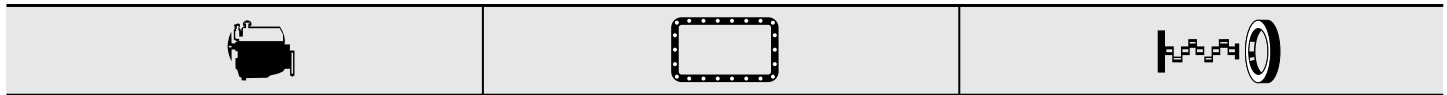
[15] Acero

FIAT GROUP


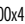
...Continued

1128 84.00 Petrol

									
BE/PL	4	50.792/50.805	53.892/53.910	19.500	1.537	0.010/0.070	BS	1150CP	71-4120/4 STD 0.25 0.50
MB/HL 1,2,4,5	4	52.985/53.005	56.717/56.730	20.750	1.841	0.030/0.088	AL-LF	66316RA	H1043/5 STD 0.25 0.50 0.75
MB/HL 3	1	52.985/53.005	56.717/56.730	24.250	1.841	0.030/0.088	AL-LF	66317RA	
TW/A	2	59.000/59.250	73.600/73.850		2.362		BS	62037AF	A201/2 STD .005
SE/PB	1	21.539/21.641	25.000/25.021	25.100			BS	66649Y	55-4193 SEMI



JH111

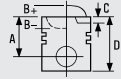
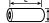
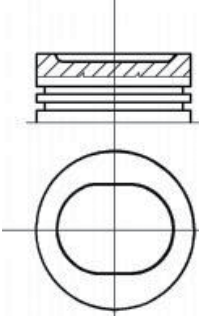
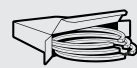




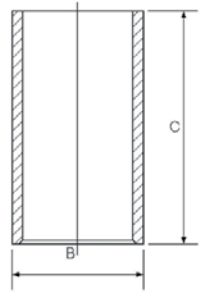




NB742  30.00x43.00x8.00mm, ACM
NB732  74.00x90.00x10.00mm, FPM



JH111

1129 84.00 Petrol

831 B5.000	4 Cyl.	8:1	1995cc	122kW (166)PS	Turbo Intercooled	TD1823	448
835 A7.000	4 Cyl.	8:1	1995cc	121kW (165)PS	Turbo Intercooled	TD1849	471
835 A7.046	4 Cyl.	8:1	1995cc	124kW (169)PS	Turbocharged	TD1850	448

 <p>87-215300-10 STD 87-215308-10 0.60mm</p> <p>A 39.50 B- 4.50 D 79.00  22x69</p> 	 <p>08-215300-10 STD 08-215306-10 0.40mm 08-215308-10 0.60mm 02/88 →</p> <p>1.50  CR P 2.00  P 3.95  P</p>	 <p>14-011041-00 D B 88.06 C 152.00</p> 	
	<p>08-207600-00 STD 08-207604-00 0.20mm 08-207606-00 0.40mm 08-207608-00 0.60mm</p> <p>1.50  CR P 2.00  P 3.95  CR [15]</p>		

[15] Steel



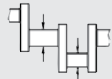
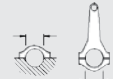


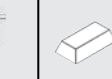



[15] Acier

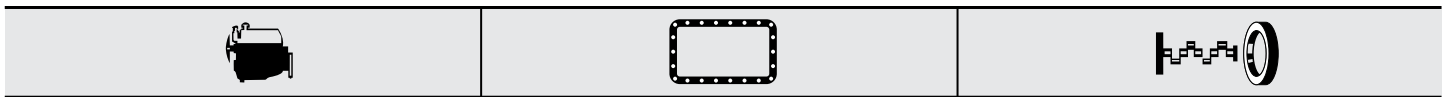
[15] Acciaio

[15] Acero

...Continued

1129  **84.00** **Petrol**

									
BE/PL	4	50.787/50.807	53.892/53.910	19.500	1.537	0.020/0.070	BS	1040CP	71-4118/4 STD 0.25 0.50
MB/HL 1,2,4,5	4	52.990/53.010	56.717/56.735	20.750	1.843	0.020/0.080	BS	4128CP	H1084/5 STD 0.25 0.50
MB/HL 3	1	52.990/53.010	56.717/56.735	24.250	1.843	0.020/0.080	BS	4129CP	
TW/A	2	59.000/59.250	73.600/73.850		2.362		BS	62037AF	A201/2 STD .005
SE/PB	1	21.539/21.641	25.000/25.021	25.100			BS	66649Y	55-4193 SEMI



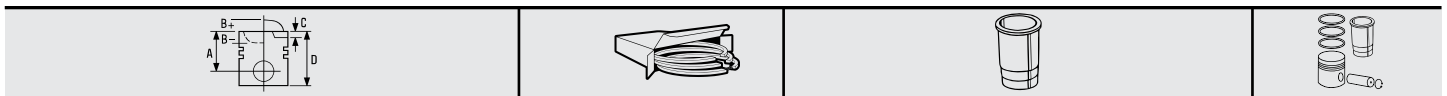
JH111
NB742  30.00x43.00x8.00mm, ACM
NB732  74.00x90.00x10.00mm, FPM






JH111

1130  **84.00** **Petrol** 




831 C5.000 4 Cyl. 8:1 1995cc **133kW (181)PS** **Turbocharged** **TD1821** **449**



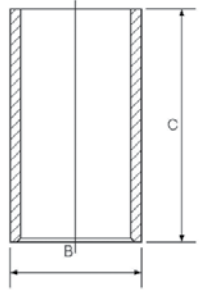
08-207600-00 STD
08-207604-00 0.20mm
08-207606-00 0.40mm
08-207608-00 0.60mm

1.50  CR P
2.00  P
3.95  CR [15]

08-215300-10 STD
08-215306-10 0.40mm
08-215308-10 0.60mm
02/88 →

1.50  CR P
2.00  P
3.95  P




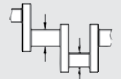
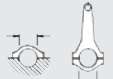






14-011041-00 D
B 88.06 C 152.00

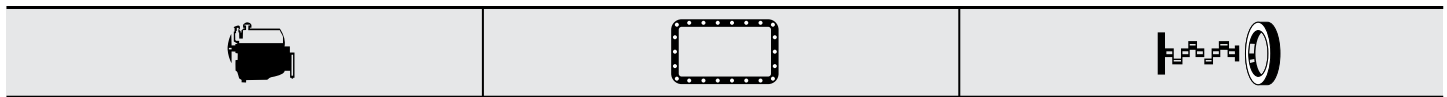


[15] Steel [15] Acier [15] Acciaio [15] Acero



FIAT GROUP

...Continued

1130		 84.00	Petrol						
									
BE/PL	4	50.787/50.807	53.892/53.910	19.500	1.537	0.020/0.070	BS	1040CP	71-4118/4 STD 0.25 0.50
MB/HL 1,2,4,5	4	52.990/53.010	56.717/56.735	20.750	1.843	0.020/0.080	BS	4128CP	H1084/5 STD 0.25 0.50
MB/HL 3	1	52.990/53.010	56.717/56.735	24.250	1.843	0.020/0.080	BS	4129CP	
TW/A	2	59.000/59.250	73.600/73.850		2.362		BS	62037AF	A201/2 STD .005
SE/PB	1	21.539/21.641	25.000/25.021	25.100			BS	66649Y	55-4193 SEMI




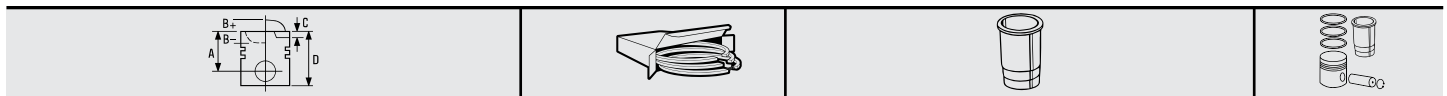
JJ298
(Cork)

NB742  30.00x43.00x8.00mm, ACM
NB732  74.00x90.00x10.00mm, FPM

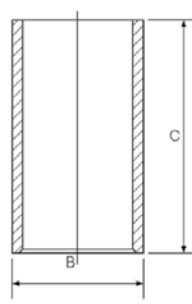





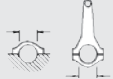






JJ298

1131		 84.00	Petrol						
831 C5.046	4 Cyl.	8:1	1995cc	130kW (177)PS		Turbocharged	TD1822 450		












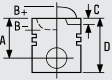






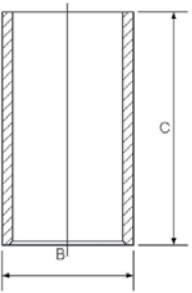



14-011041-00 D
B 88.06 C 152.00



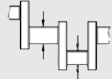







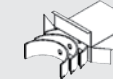








									
BE/PL	4	50.787/50.807	53.892/53.910	19.500	1.537	0.020/0.070	BS	1040CP	71-4118/4 STD 0.25 0.50
MB/HL 1,2,4,5	4	52.990/53.010	56.717/56.735	20.750	1.843	0.020/0.080	BS	4128CP	H1084/5 STD 0.25 0.50
MB/HL 3	1	52.990/53.010	56.717/56.735	24.250	1.843	0.020/0.080	BS	4129CP	
TW/A	2	59.000/59.250	73.600/73.850		2.362		BS	62037AF	A201/2 STD .005
SE/PB	1	21.539/21.641	25.000/25.021	25.100			BS	66649Y	55-4193 SEMI

...Continued

1131	 84.00	Petrol
		
 JH111		NB825  30.00x43.00x8.00mm, FPM NB732  74.00x90.00x10.00mm, FPM

1132	 84.00	Petrol					
831 D5.000	4 Cyl.	8:1	1995cc	144kW (196)PS	Turbocharged	TD1825	451
							
		08-207600-00 STD 08-207604-00 0.20mm 08-207606-00 0.40mm 08-207608-00 0.60mm 1.50  CR P 2.00  P 3.95  CR [15]	14-011041-00 D B 88.06 C 152.00 				
		08-215300-10 STD 08-215306-10 0.40mm 08-215308-10 0.60mm 02/88 → 1.50  CR P 2.00  P 3.95  P					
[15] Steel	[15] Acier	[15] Acciaio	[15] Acero				

										
BE/PL	4	50.787/50.807	53.901/53.913	19.500	1.534	0.028/0.083	BS	4350CP	71-4157/4 STD 0.25 0.50	
MB/HL 1,2,4,5	4	52.990/53.010	56.717/56.735	20.750	1.843	0.020/0.080	BS	4128CP	H1084/5 STD 0.25 0.50	
MB/HL 3	1	52.990/53.010	56.717/56.735	24.250	1.843	0.020/0.080	BS	4129CP		
TW/A	2	59.000/59.250	73.600/73.850		2.362		BS	62037AF	A201/2 STD .005	
SE/PB	1	21.539/21.641	25.000/25.021	25.100			BS	66649Y	55-4193 SEMI	

		
 JJ298 (Cork)		NB825  30.00x43.00x8.00mm, FPM NB732  74.00x90.00x10.00mm, FPM

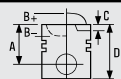
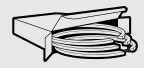





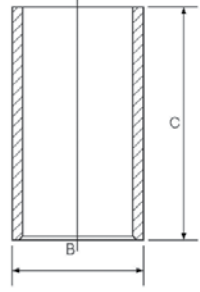



1133

 84.00



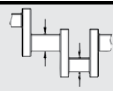
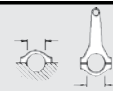




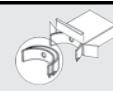
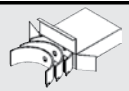
Petrol



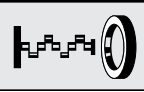


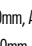



834 B.000 4 Cyl. 9.7:1 1995cc 88kW (120)PS TD1084 453

			
	<p>08-207600-00 STD 08-207604-00 0.20mm 08-207606-00 0.40mm 08-207608-00 0.60mm</p> <p>1.50  CR P 2.00  P 3.95  CR [15]</p>	<p>14-011041-00 D B 88.06 C 152.00</p> 	
	<p>08-215300-10 STD 08-215306-10 0.40mm 08-215308-10 0.60mm 02/88 →</p> <p>1.50  CR P 2.00  P 3.95  P</p>		

[15] Steel [15] Acier [15] Acciaio [15] Acero

									
BE/PL	4	50.792/50.805	53.892/53.910	19.500	1.537	0.010/0.070	BS	1150CP	71-4120/4 STD 0.25 0.50
MB/HL 1,2,4,5	4	52.985/53.005	56.717/56.730	20.750	1.841	0.030/0.088	AL-LF	66316RA	H1043/5 STD 0.25 0.50 0.75
MB/HL 3	1	52.985/53.005	56.717/56.730	24.250	1.841	0.030/0.088	AL-LF	66317RA	
TW/A	2	59.000/59.250	73.600/73.850		2.362		BS	62037AF	A201/2 STD .005
SE/PB	1	21.539/21.641	25.000/25.021	25.100			BS	66649Y	55-4193 SEMI

		
	<p>JJ298 (Cork) JJ413</p>   <p>JJ298 JJ413</p>	<p>NB742  30.00x43.00x8.00mm, ACM NB732  74.00x90.00x10.00mm, FPM</p>

1134

 **84.00**

Petrol



834 B.000

4 Cyl.

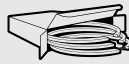
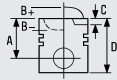
9.8:1

1995cc




88kW (120)PS

TD1833

454



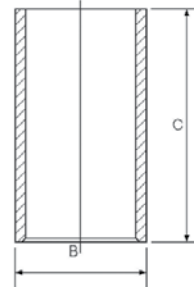
08-207600-00 STD
08-207604-00 0.20mm
08-207606-00 0.40mm
08-207608-00 0.60mm

1.50  CR P
 2.00  P
 3.95  CR [15]

08-215300-10 STD
08-215306-10 0.40mm
08-215308-10 0.60mm
 02/88 →

1.50  CR P
 2.00  P
 3.95  P

14-011041-00 D
B 88.06 C 152.00



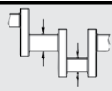
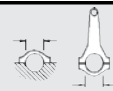




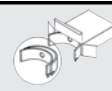
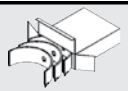


[15] Steel

[15] Acier

[15] Acciaio

[15] Acero

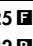

									
BE/PL	4	50.792/50.805	53.892/53.910	19.500	1.537	0.010/0.070	BS	1150CP	71-4120/4 STD 0.25 0.50
MB/HL 1,2,4,5	4	52.985/53.005	56.717/56.730	20.750	1.841	0.030/0.088	AL-LF	66316RA	H1043/5 STD 0.25 0.50 0.75
MB/HL 3	1	52.985/53.005	56.717/56.730	24.250	1.841	0.030/0.088	AL-LF	66317RA	
TW/A	2	59.000/59.250	73.600/73.850		2.362		BS	62037AF	A201/2 STD .005
SE/PB	1	21.539/21.641	25.000/25.021	25.100			BS	66649Y	55-4193 SEMI



JJ298
(Cork)



JJ298

NB825  30.00x43.00x8.00mm, FPM
NB732  74.00x90.00x10.00mm, FPM

1135



84.00

Petrol



834 B.048	4 Cyl.	9.8:1	1995cc	83-85kW (112-113)PS	TD1829	456
834 B.146	4 Cyl.	9.8:1	1995cc	85kW (116)PS	TD1818	458
834 B1.000	4 Cyl.	9.5:1	1995cc	86kW (117)PS	TD1830	459

	<p>08-207600-00 STD 08-207604-00 0.20mm 08-207606-00 0.40mm 08-207608-00 0.60mm</p> <p>1.50 CR P 2.00 P 3.95 CR [15]</p>	<p>14-011041-00 D B 88.06 C 152.00</p>	
	<p>08-215300-10 STD 08-215306-10 0.40mm 08-215308-10 0.60mm 02/88 →</p> <p>1.50 CR P 2.00 P 3.95 P</p>		

[15] Steel [15] Acier [15] Acciaio [15] Acero

BE/PL	4	50.792/50.805	53.892/53.910	19.500	1.537	0.010/0.070	BS	1150CP	71-4120/4 STD 0.25 0.50
MB/HL 1,2,4,5	4	52.985/53.005	56.717/56.730	20.750	1.841	0.030/0.088	AL-LF	66316RA	H1043/5 STD 0.25 0.50 0.75
MB/HL 3	1	52.985/53.005	56.717/56.730	24.250	1.841	0.030/0.088	AL-LF	66317RA	
TW/A	2	59.000/59.250	73.600/73.850		2.362		BS	62037AF	A201/2 STD .005
SE/PB	1	21.539/21.641	25.000/25.021	25.100			BS	66649Y	55-4193 SEMI

1136

 **84.00**

Petrol



834 B.048

4 Cyl.

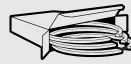
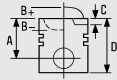
9.7:1

1995cc




83kW (113)PS

TD1085

455



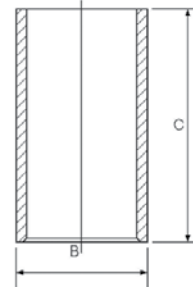
08-207600-00 STD
08-207604-00 0.20mm
08-207606-00 0.40mm
08-207608-00 0.60mm

1.50  CR P
 2.00  P
 3.95  CR [15]

08-215300-10 STD
08-215306-10 0.40mm
08-215308-10 0.60mm
 02/88 →

1.50  CR P
 2.00  P
 3.95  P

14-011041-00 D
B 88.06 C 152.00



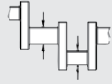
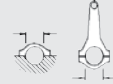





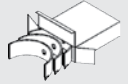


[15] Steel


[15] Acier

[15] Acciaio

[15] Acero

									
BE/PL	4	50.792/50.805	53.892/53.910	19.500	1.537	0.010/0.070	BS	1150CP	71-4120/4 STD 0.25 0.50
MB/HL 1,2,4,5	4	52.985/53.005	56.717/56.730	20.750	1.841	0.030/0.088	AL-LF	66316RA	H1043/5 STD 0.25 0.50 0.75
MB/HL 3	1	52.985/53.005	56.717/56.730	24.250	1.841	0.030/0.088	AL-LF	66317RA	
TW/A	2	59.000/59.250	73.600/73.850		2.362		BS	62037AF	A201/2 STD .005
SE/PB	1	21.539/21.641	25.000/25.021	25.100			BS	66649Y	55-4193 SEMI



NB742  30.00x43.00x8.00mm, ACM

NB732  74.00x90.00x10.00mm, FPM

1137

 84.00

Petrol



834 B.146 4 Cyl. 9.7:1 1995cc 85kW (116)PS TD11707 457

	<p>08-207600-00 STD 08-207604-00 0.20mm 08-207606-00 0.40mm 08-207608-00 0.60mm</p> <p>1.50 CR P 2.00 P 3.95 CR [15]</p>	<p>14-011041-00 D B 88.06 C 152.00</p>	
	<p>08-215300-10 STD 08-215306-10 0.40mm 08-215308-10 0.60mm 02/88 →</p> <p>1.50 CR P 2.00 P 3.95 P</p>		

[15] Steel [15] Acier [15] Acciaio [15] Acero

BE/PL	4	50.792/50.805	53.892/53.910	19.500	1.537	0.010/0.070	BS	1150CP	71-4120/4 STD 0.25 0.50
MB/HL 1,2,4,5	4	52.985/53.005	56.717/56.730	20.750	1.841	0.030/0.088	AL-LF	66316RA	H1043/5 STD 0.25 0.50 0.75
MB/HL 3	1	52.985/53.005	56.717/56.730	24.250	1.841	0.030/0.088	AL-LF	66317RA	
TW/A	2	59.000/59.250	73.600/73.850		2.362		BS	62037AF	A201/2 STD .005
SE/PB	1	21.539/21.641	25.000/25.021	25.100			BS	66649Y	55-4193 SEMI

	<p>JJ413</p> <p>JJ413</p>	<p>NB742 30.00x43.00x8.00mm, ACM NB732 74.00x90.00x10.00mm, FPM</p>

1138

 84.00

Petrol



834 B2.000

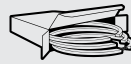
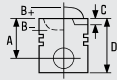
4 Cyl.

1995cc




108kW (147)PS

TD14549

460



08-207600-00 STD
08-207604-00 0.20mm
08-207606-00 0.40mm
08-207608-00 0.60mm

1.50  CR P
 2.00  P
 3.95  CR [15]

08-215300-10 STD
08-215306-10 0.40mm
08-215308-10 0.60mm
 02/88 →



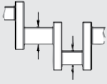
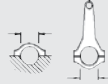





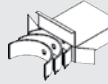
1.50  CR P
 2.00  P
 3.95  P

[15] Steel

[15] Acier

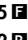
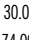
[15] Acciaio

[15] Acero

									
BE/PL	4	50.787/50.807	53.901/53.913	19.500	1.534	0.028/0.083	BS	4350CP	71-4157/4 STD 0.25 0.50
MB/HL 1,2,4,5	4	52.985/53.005	56.717/56.730	20.750	1.841	0.030/0.088	AL-LF	66316RA	H1043/5 STD 0.25 0.50 0.75
MB/HL 3	1	52.985/53.005	56.717/56.730	24.250	1.841	0.030/0.088	AL-LF	66317RA	
TW/A	2	59.000/59.250	73.600/73.850		2.362		BS	62037AF	A201/2 STD .005
SE/PB	1	21.539/21.641	25.000/25.021	25.100			BS	66649Y	55-4193 SEMI



JJ413

NB825  30.00x43.00x8.00mm, FPM
NB732  74.00x90.00x10.00mm, FPM



JJ413

1139

 84.00

Petrol



834 B2.246

4 Cyl.

8:1

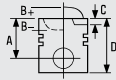
1995cc

104kW (141)PS



Turbocharged

TD1832

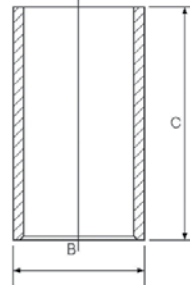
461



08-207600-00 STD
08-207604-00 0.20mm
08-207606-00 0.40mm
08-207608-00 0.60mm

1.50  CR P
 2.00  P
 3.95  CR [15]



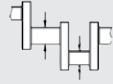
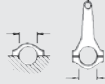





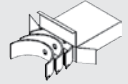
14-011041-00 D
B 88.06 C 152.00



08-215300-10 STD
08-215306-10 0.40mm
08-215308-10 0.60mm
 02/88 →

1.50  CR P
 2.00  P
 3.95  P

[15] Steel [15] Acier [15] Acciaio [15] Acero

									
BE/PL	4	50.787/50.807	53.901/53.913	19.500	1.534	0.028/0.083	BS	4350CP	71-4157/4 STD 0.25 0.50
MB/HL 1,2,4,5	4	52.985/53.005	56.717/56.730	20.750	1.841	0.030/0.088	AL-LF	66316RA	H1043/5 STD 0.25 0.50 0.75
MB/HL 3	1	52.985/53.005	56.717/56.730	24.250	1.841	0.030/0.088	AL-LF	66317RA	
TW/A	2	59.000/59.250	73.600/73.850		2.362		BS	62037AF	A201/2 STD .005
SE/PB	1	21.539/21.641	25.000/25.021	25.100			BS	66649Y	55-4193 SEMI

1140

84.00

Petrol



834 C.000	4 Cyl.	8:1	1995cc	122kW (166)PS	Turbo Intercooled	TD1834	462
834 C.146	4 Cyl.	8:1	1995cc	110kW (150)PS	Turbo Intercooled	TD1837	463

87-215300-10 STD 87-215308-10 0.60mm A 39.50 B- 4.50 D 79.00 22x69	08-215300-10 STD 08-215306-10 0.40mm 08-215308-10 0.60mm 02/88 → 1.50 CR P 2.00 P 3.95 P	14-011041-00 D B 88.06 C 152.00 	
	08-207600-00 STD 08-207604-00 0.20mm 08-207606-00 0.40mm 08-207608-00 0.60mm 1.50 CR P 2.00 P 3.95 CR [15]		

[15] Steel [15] Acier [15] Acciaio [15] Acero

BE/PL	4	50.787/50.807	53.892/53.910	19.500	1.537	0.020/0.070	BS	1040CP	71-4118/4 STD 0.25 0.50
MB/HL 1,2,4,5	4	52.990/53.010	56.717/56.735	20.750	1.843	0.020/0.080	BS	4128CP	H1084/5 STD 0.25 0.50
MB/HL 3	1	52.990/53.010	56.717/56.735	24.250	1.843	0.020/0.080	BS	4129CP	
TW/A	2	59.000/59.250	73.600/73.850		2.362		BS	62037AF	A201/2 STD .005
SE/PB	1	21.539/21.641	25.000/25.021	25.100			BS	66649Y	55-4193 SEMI

JJ298 (Cork) 		NB742 30.00x43.00x8.00mm, ACM NB732 74.00x90.00x10.00mm, FPM
JJ298		

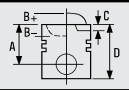
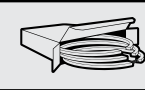
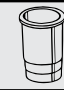




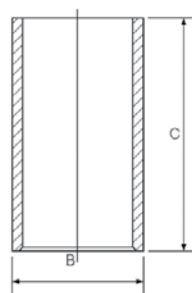
1141



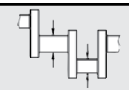
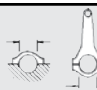




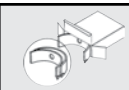
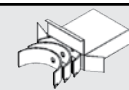
 84.00


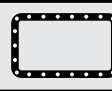




Petrol





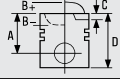
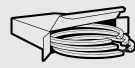
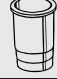
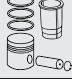
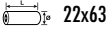
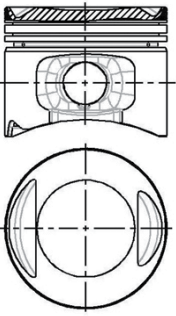






834 C.146 4 Cyl. 8:1 1995cc 110-112kW (150-152)PS Turbo Intercooled TD1064 464

			
	<p>08-142400-00 STD 08-142406-00 0.40mm</p> <p>1.50  CK 1.50  P 3.00  P</p>	<p>14-011041-00 D B 88.06 C 152.00</p> 	



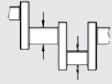
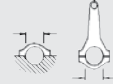



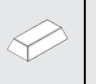

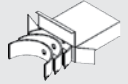
									
BE/PL	4	50.787/50.807	53.892/53.910	19.500	1.537	0.020/0.070	BS	1040CP	71-4118/4 STD 0.25 0.50
MB/HL 1,2,4,5	4	52.990/53.010	56.717/56.735	20.750	1.843	0.020/0.080	BS	4128CP	H1084/5 STD 0.25 0.50
MB/HL 3	1	52.990/53.010	56.717/56.735	24.250	1.843	0.020/0.080	BS	4129CP	
TW/A	2	59.000/59.250	73.600/73.850		2.362		BS	62037AF	A201/2 STD .005
SE/PB	1	21.539/21.641	25.000/25.021	25.100			BS	66649Y	55-4193 SEMI







		
	<p>JJ413</p>  <p>JJ413</p>	<p>NB742  30.00x43.00x8.00mm, ACM NB732  74.00x90.00x10.00mm, FPM</p>

1142	 84.00	Petrol	
835 A5.000	4 Cyl.	9.3:1	1995cc
86kW (117)PS			TD14589 469

			
87-215300-00 STD 87-215306-00 0.40mm 87-215308-00 0.60mm A 39.80 B- 1.60 D 67.80  22x63		08-215300-10 STD 08-215306-10 0.40mm 08-215308-10 0.60mm 02/88 → 1.50  CR P 2.00  P 3.95  P	
		08-207600-00 STD 08-207604-00 0.20mm 08-207606-00 0.40mm 08-207608-00 0.60mm 1.50  CR P 2.00  P 3.95  CR [15]	

[15] Steel [15] Acier [15] Acciaio [15] Acero

									
BE/PL	4	50.787/50.807	53.901/53.913	19.500	1.534	0.028/0.083	BS	4350CP	71-4157/4 STD 0.25 0.50
MB/HL 1,2,4,5	4	52.985/53.005	56.717/56.730	20.750	1.841	0.030/0.088	AL-LF	66316RA	H1043/5 STD 0.25 0.50 0.75
MB/HL 3	1	52.985/53.005	56.717/56.730	24.250	1.841	0.030/0.088	AL-LF	66317RA	
TW/A	2	59.000/59.250	73.600/73.850		2.362		BS	62037AF	A201/2 STD .005
SE/PB	1	21.539/21.641	25.000/25.021	25.100			BS	66649Y	55-4193 SEMI

		
	JJ413	NB742  30.00x43.00x8.00mm, ACM NB732  74.00x90.00x10.00mm, FPM
		
	JJ413	

1143

 84.00

Petrol



835 A5.046

4 Cyl.

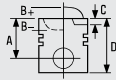
9.3:1

1995cc

82-83kW (112-113)PS

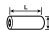
TD1848

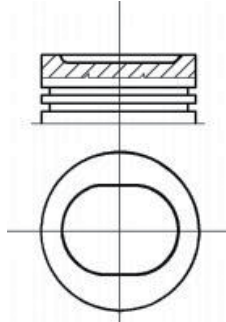
470



87-215300-10
87-215308-10

STD
0.60mm




A 39.50
B- 4.50
D 79.00
 22x69



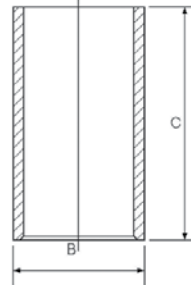
08-215300-10 STD
08-215306-10 0.40mm
08-215308-10 0.60mm
02/88 →

1.50  CR P
2.00  P
3.95  P

08-207600-00 STD
08-207604-00 0.20mm
08-207606-00 0.40mm
08-207608-00 0.60mm

1.50  CR P
2.00  P
3.95  CR [15]

14-011041-00 D
B 88.06 C 152.00



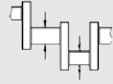
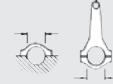





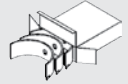


[15] Steel

[15] Acier


[15] Acciaio

[15] Acero

									
BE/PL	4	50.787/50.807	53.892/53.910	19.500	1.537	0.020/0.070	BS	1040CP	71-4118/4 STD 0.25 0.50
MB/HL 1,2,4,5	4	52.990/53.010	56.717/56.735	20.750	1.843	0.020/0.080	BS	4128CP	H1084/5 STD 0.25 0.50
MB/HL 3	1	52.990/53.010	56.717/56.735	24.250	1.843	0.020/0.080	BS	4129CP	
TW/A	2	59.000/59.250	73.600/73.850		2.362		BS	62037AF	A201/2 STD .005
SE/PB	1	21.539/21.641	25.000/25.021	25.100			BS	66649Y	55-4193 SEMI





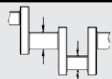






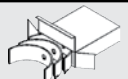








JJ413





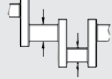
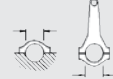


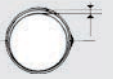



NP067  50.00x70.00x10.00mm, FPM









JJ413

1144		 84.00	Petrol							
835 A8.000		4 Cyl.	1995cc	130-132kW (177-180)PS		Turbocharged		TD14588	472	
										
BE/PL	4	50.787/50.807	53.892/53.910	19.500	1.537	0.020/0.070	BS	1040CP	71-4118/4 STD 0.25 0.50	
MB/HL 1,2,4,5	4	52.990/53.010	56.717/56.735	20.750	1.843	0.020/0.080	BS	4128CP	H1084/5 STD 0.25 0.50	
MB/HL 3	1	52.990/53.010	56.717/56.735	24.250	1.843	0.020/0.080	BS	4129CP		
TW/A	2	59.000/59.250	73.600/73.850		2.362		BS	62037AF	A201/2 STD .005	
SE/PB	1	21.539/21.641	25.000/25.021	25.100			BS	66649Y	55-4193 SEMI	

		
	JH111	NB742  30.00x43.00x8.00mm, ACM NB732  74.00x90.00x10.00mm, FPM
		
	JH111	

1145		 84.00	Petrol							
835 A8.046		4 Cyl.	1995cc	119kW (162)PS		Turbocharged		TD1852	473	
										
BE/PL	4	50.787/50.807	53.901/53.913	19.500	1.534	0.028/0.083	BS	4350CP	71-4157/4 STD 0.25 0.50	
MB/HL 1,2,4,5	4	52.990/53.010	56.717/56.735	20.750	1.843	0.020/0.080	BS	4128CP	H1084/5 STD 0.25 0.50	
MB/HL 3	1	52.990/53.010	56.717/56.735	24.250	1.843	0.020/0.080	BS	4129CP		
TW/A	2	59.000/59.250	73.600/73.850		2.362		BS	62037AF	A201/2 STD .005	
SE/PB	1	21.539/21.641	25.000/25.021	25.100			BS	66649Y	55-4193 SEMI	

		
	JH111	NB825  30.00x43.00x8.00mm, FPM NB732  74.00x90.00x10.00mm, FPM
		
	JH111	

1146

84.00

Petrol



836 A3.011

4 Cyl.

10.5:1

1995cc

102-104kW (139-141)PS

TD26168

477

BE/PL	4	50.787/50.807	53.901/53.913	19.500	1.534	0.028/0.083	BS	4350CP	71-4157/4 STD 0.25 0.50
MB/HL 1,2,4,5	4	52.990/53.010	56.717/56.735	20.750	1.843	0.020/0.080	BS	4128CP	H1084/5 STD 0.25 0.50
MB/HL 3	1	52.990/53.010	56.717/56.735	24.250	1.843	0.020/0.080	BS	4129CP	
TW/A	2	59.000/59.250	73.600/73.850		2.362		BS	62037AF	A201/2 STD .005
SE/PB	1	21.539/21.641	25.000/25.021	25.100			BS	66649Y	55-4193 SEMI

1147

84.00

Petrol



838 A4.000

4 Cyl.

8:1

1995cc

151kW (205)PS

Turbocharged



TD4619

478



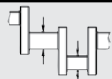







87-142400-00 87-142406-00	STD 0.40mm		08-142400-00 STD 08-142406-00 0.40mm	1.50 CK 1.50 P 3.00 P	14-011041-00 D B 88.06 C 152.00				
A 39.00 B- 6.00 BØ 72.00 C 2.00 D 69.00 22x69									
AK									




BE/PL	4	50.787/50.807	53.901/53.913	19.500	1.534	0.028/0.083	BS	4350CP	71-4157/4 STD 0.25 0.50
MB/HL 1,2,4,5	4	52.990/53.010	56.717/56.735	20.750	1.843	0.020/0.080	BS	4128CP	H1084/5 STD 0.25 0.50
MB/HL 3	1	52.990/53.010	56.717/56.735	24.250	1.843	0.020/0.080	BS	4129CP	
TW/A	2	59.000/59.250	73.600/73.850		2.362		BS	62037AF	A201/2 STD .005
SE/PB	1	21.539/21.641	25.000/25.021	25.100			BS	66649Y	55-4193 SEMI

	JJ413	NB742 30.00x43.00x8.00mm, ACM NB732 74.00x90.00x10.00mm, FPM
	JJ413	


1148  **84.00** **Petrol** 

6132 AZ 2.000 4 Cyl. 1995cc **59kW (80)PS** **TD13508** **479**



									
BE/PL	4	50.782/50.802	53.897/53.913	19.500	1.537	0.021/0.082	AL-LF	66240RA	01-4175/4 STD 0.25 0.50 0.75 1.00
MB/HL 1,2,4,5	4	52.985/53.005	56.717/56.730	20.750	1.841	0.030/0.088	AL-LF	66316RA	H1043/5 STD 0.25 0.50 0.75
MB/HL 3	1	52.985/53.005	56.717/56.730	24.250	1.841	0.030/0.088	AL-LF	66317RA	
TW/A	2	59.000/59.250	73.600/73.850		2.362		BS	62037AF	A201/2 STD .005
SE/PB	1	21.539/21.641	25.000/25.021	25.100			BS	66649Y	55-4193 SEMI
SE/PB	1	21.539/21.641	23.939/23.972	25.100			BS	62039Y	55-4288 SEMI

JH111

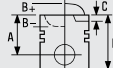
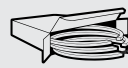
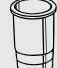
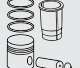
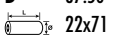
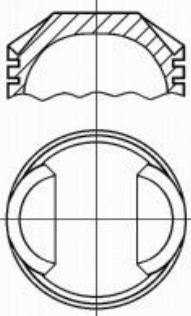

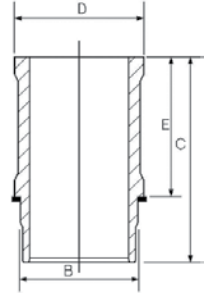


JH111



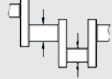
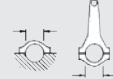






1149  **84.00** **Petrol** 

AR 06416 4 Cyl. 1995cc **102-105kW (138-143)PS** **TD62** **422**

AR 06420 4 Cyl. 1995cc **109kW (148)PS** **TD63** **422**

			
87-110200-30 STD	08-110200-00 STD	15-632000-00 WH [9] B 89.00 C 152.00 D 98.00 E 107.50	89-110200-30 87-110200-30 + 15-632000-00
<p>A 33.75</p> <p>B+ 1.25</p> <p>D 67.50</p>  <p>22x71</p> 	<p>1.50</p> <p>1.50</p> <p>3.50</p>  <p>CR P</p> <p>P</p> <p>P</p>		

[9] Includes seals [9] Inclut des joints [9] Comprende le guarnizioni [9] Incluye los sellos

									
BE/PL	4	49.988/49.998	53.695/53.708	23.440	1.838	0.021/0.069	BS	60010CP	71-4168/4 STD 0.25 0.50
MB/HL 1,3,5	3	59.960/59.973	63.657/63.676	25.530	1.837	0.020/0.067	BS	60011CP	H1030/5 STD 0.25 0.50
MB/HL 2,4	2	59.960/59.973	63.657/63.676	18.360	1.837	0.020/0.067	BS	60012CP	
TW/A	4	65.786/66.040	82.423/82.677		2.362		AL-LF	2777AF	A178/4 STD
SE/PB	1	21.994/22.000	25.120/25.146	23.720			BS	60014X	55-4280 SEMI

FIAT GROUP



...Continued

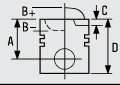
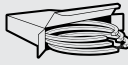





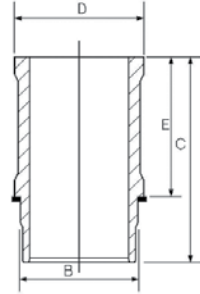
1149	84.00	Petrol
	JJ451	NA5066 35.00x50.00x10.00mm, ACM
	JJ451	

1150	84.00	Petrol			
AR 06476	4 Cyl.	1995cc	128-129kW (174-175)PS	Turbocharged	TD65 480
87-215300-10 87-215308-10	STD 0.60mm	08-215300-10 08-215306-10 08-215308-10	STD 0.40mm 0.60mm	14-011041-00 D B 88.06 C 152.00	
A 39.50 B- 4.50 D 79.00 22x69			1.50 CR P 2.00 P 3.95 P		



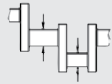
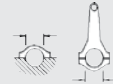





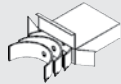
BE/PL	4	50.787/50.807	53.892/53.910	19.500	1.537	0.020/0.070	BS	1040CP	71-4118/4 STD 0.25 0.50	
MB/HL 1,2,4,5	4	52.990/53.010	56.717/56.735	20.750	1.843	0.020/0.080	BS	4128CP	H1084/5 STD 0.25 0.50	
MB/HL 3	1	52.990/53.010	56.717/56.735	24.250	1.843	0.020/0.080	BS	4129CP		
TW/A	2	59.000/59.250	73.600/73.850		2.362		BS	62037AF	A201/2 STD .005	
SE/PB	1	21.539/21.641	25.000/25.021	25.100			BS	66649Y	55-4193 SEMI	



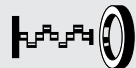


	Petrol
	JJ413
	JJ413
	NB742 30.00x43.00x8.00mm, ACM NB732 74.00x90.00x10.00mm, FPM



1151	 84.00	Petrol	
AR 64103	4 Cyl.	1995cc	106kW (144)PS
AR 67201	4 Cyl.	10:1	106kW (144)PS
			TD129 412
			TD136 481

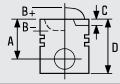
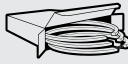


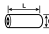



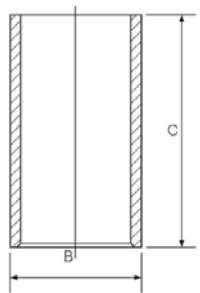
			
	08-110200-00 STD 1.50  CR P 1.50  P 3.50  P	15-632000-00 WH [9] B 89.00 C 152.00 D 98.00 E 107.50 	

[9] Includes seals [9] Inclut des joints [9] Comprende le guarnizioni [9] Incluye los sellos

									
BE/PL	4	49.988/49.998	53.695/53.708	23.440	1.838	0.021/0.069	BS	60010CP	71-4168/4 STD 0.25 0.50
MB/HL 1,3,5	3	59.960/59.973	63.657/63.676	25.530	1.837	0.020/0.067	BS	60011CP	H1030/5 STD 0.25 0.50
MB/HL 2,4	2	59.960/59.973	63.657/63.676	18.360	1.837	0.020/0.067	BS	60012CP	
TW/A	4	65.786/66.040	82.423/82.677		2.362		AL-LF	2777AF	A178/4 STD
SE/PB	1	21.994/22.000	25.120/25.146	23.720			BS	60014X	55-4280 SEMI

		
	HR397	NA5066  35.00x50.00x10.00mm, ACM NA5065  62.00x80.00x12.00mm, ACM



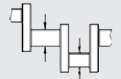
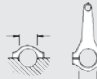






1152	 84.00	Petrol	
AR 67203	4 Cyl.	1995cc	137-140kW (186-190)PS
			Turbocharged
			TD138 482

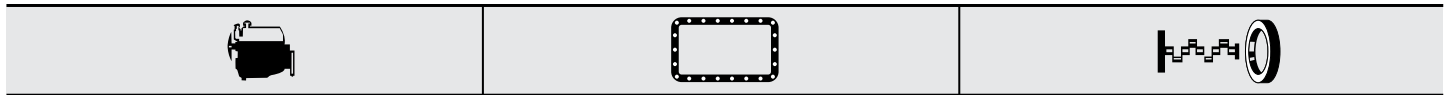
			
87-142400-00 STD 87-142406-00 0.40mm A 39.00 B- 6.00 BØ 72.00 C 2.00 D 69.00  22x69 AK	08-142400-00 STD 08-142406-00 0.40mm 1.50  CK 1.50  P 3.00  P	14-011041-00 D B 88.06 C 152.00 	

FIAT GROUP



...Continued

1152 85.00 Petrol

									
BE/PL	4	50.787/50.807	53.901/53.913	19.500	1.534	0.028/0.083	BS	4350CP	71-4157/4 STD 0.25 0.50
MB/HL 1,2,4,5	4	52.990/53.010	56.717/56.735	20.750	1.843	0.020/0.080	BS	4128CP	H1084/5 STD 0.25 0.50
MB/HL 3	1	52.990/53.010	56.717/56.735	24.250	1.843	0.020/0.080	BS	4129CP	
TW/A	2	59.000/59.250	73.600/73.850		2.362		BS	62037AF	A201/2 STD .005
SE/PB	1	21.539/21.641	25.000/25.021	25.100			BS	66649Y	55-4193 SEMI



JJ413

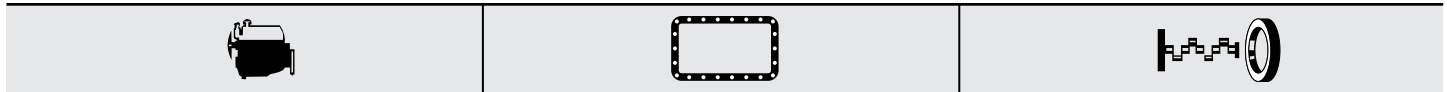
NB825  30.00x43.00x8.00mm, FPM
NB732  74.00x90.00x10.00mm, FPM





JJ413

1153 85.00 Diesel

4HP	4 Cyl.	2179cc	120kW (163)PS	Turbo Intercooled	TD24689	501	
4HP	4 Cyl.	2179cc	120kW (163)PS	Turbo Intercooled	TD24945	501	
RH02	4 Cyl.	17.5:1	1997cc	94kW (128)PS	Turbo Intercooled	TD26194	488

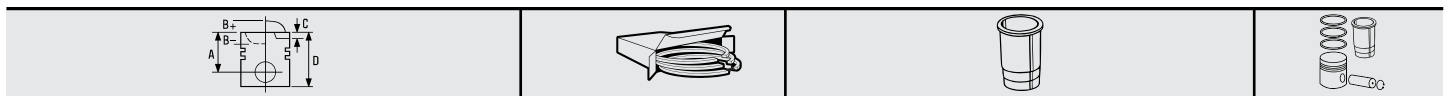


HR397

NA5191  42.00x62.00x7.00mm, PTFE
NA5192  90.00x110.00x7.00mm, PTFE

1154 85.00 Diesel

DW10BTED4	4 Cyl.	17.6:1	1997cc	100kW (136)PS	Turbo Intercooled	TD25755	483
-----------	--------	--------	--------	---------------	-------------------	----------------	------------



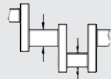
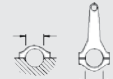








08-114700-00 STD
08-114708-00 0.60mm

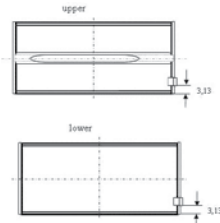
3.50  CK P
2.00  P
3.00  CR P

...Continued

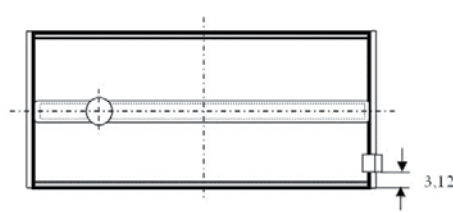
1154  **85.00 Diesel**

									
BE/PL	4	49.984/50.000	53.695/53.708	20.000	1.838	0.020/0.070	SP	71-3952	71-3952/4 STD 0.30 [21]
MB/HL	1	76.187/76.200	80.587/80.607	25.000	2.172	0.043/0.101	BS	66631CPA	72-4547 STD 0.25 0.50 0.75 1.00
MB/HL	1	76.187/76.200	80.587/80.607	25.000	2.172	0.043/0.101	BS	60076CP	72-4550 STD 0.25
MB/HL 1-5	5	59.981/60.000	63.731/63.750	20.290	1.845	0.040/0.100	AL-LF	66726RA	H1057/5 STD 0.30 0.50






66631CPA



60076CP



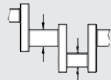
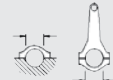













TW/A	4	67.050/67.300	83.050/83.300		2.330		BS	66721BF	A214/4 STD 0.10
SE/PB	1	27.997/28.000	30.200/30.225	24.050			BS-LF	55-3985	55-3985 SEMI

		
	HR397	NA5191  42.00x62.00x7.00mm, PTFE NA5192  90.00x110.00x7.00mm, PTFE



1155  **85.00 Petrol** 



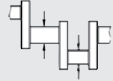
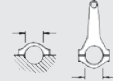





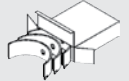
RFH (EW10A) Euro 4 (D4) 4 Cyl. 11:1 1997cc **103kW (140)PS** **TD25732 484**



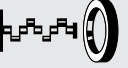


									
BE/PL	4	44.975/44.991	48.655/48.671	22.500	1.825	0.020/0.070	AL	4300RA	01-4155/4 STD 0.30
MB/HL 1-5	5	59.981/60.000	63.708/63.727	21.000	1.844	0.020/0.083	AL-LF	02-3957	H086/5 STD
TW/A	2	67.050/67.300	83.050/83.300		2.330		AL	04-3980	A161/2 STD
CB/NWB	4	27.982/28.000	31.200/31.218	18.150	1.594		AL-LF	03-3981	N151/6 STD
CB/NWB	8	27.982/28.000	31.200/31.218	18.150	1.594		AL-LF	03-3982	



		
	HR397	NA5191  42.00x62.00x7.00mm, PTFE NA5192  90.00x110.00x7.00mm, PTFE



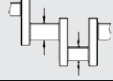







FIAT GROUP



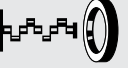


1156	 85.00	Petrol				
RFN (EW10J4)	4 Cyl.	10.8:1	1997cc	100kW (136)PS	TD16734	486
RFN (EW10J4)	4 Cyl.	10.8:1	1997cc	100kW (136)PS	TD16788	485



									
BE/PL	4	44.975/44.991	48.655/48.671	22.500	1.825	0.020/0.070	AL	4300RA	01-4155/4 STD 0.30
MB/HL 1-5	5	59.981/60.000	63.708/63.727	21.000	1.844	0.020/0.083	AL-LF	02-3957	H086/5 STD
TW/A	2	67.050/67.300	83.050/83.300		2.330		AL	04-3980	A161/2 STD
CB/NWB	4	27.982/28.000	31.200/31.218	18.150	1.594		AL-LF	03-3981	N151/6 STD
CB/NWB	8	27.982/28.000	31.200/31.218	18.150	1.594		AL-LF	03-3982	



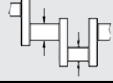
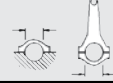






		
 EG9750	HR397	NA5256  40.00x55.00x6.50mm, FPM

1157	 85.00	Petrol				
RFN	4 Cyl.	10.8:1	1997cc	100kW (136)PS	TD16322	487







									
BE/PL	4	44.975/44.991	48.655/48.671	22.500	1.825	0.020/0.070	AL	4300RA	01-4155/4 STD 0.30
MB/HL 1-5	5	59.981/60.000	63.708/63.727	21.000	1.844	0.020/0.083	AL-LF	02-3957	H086/5 STD
TW/A	2	67.050/67.300	83.050/83.300		2.330		AL	04-3980	A161/2 STD



		
 EG9750	HR397	NA5256  40.00x55.00x6.50mm, FPM



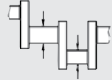
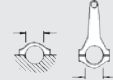






1158	 85.00	Diesel					
RHH Euro 5	4 Cyl.	16:1	1997cc	120kW (163)PS	Turbo Intercooled	TD24777	488



									
BE/PL	4	49.984/50.000	53.695/53.708	20.000	1.838	0.020/0.070	SP	71-3952	71-3952/4 STD 0.30 [21]
MB/HL 1-5	5	59.981/60.000	63.731/63.750	20.290	1.845	0.040/0.100	AL-LF	66726RA	H1057/5 STD 0.30 0.50
TW/A	4	67.050/67.300	83.050/83.300		2.330		BS	66721BF	A214/4 STD 0.10
SE/PB	1	27.997/28.000	30.200/30.225	24.050			BS-LF	55-3985	55-3985 SEMI


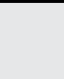
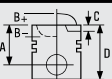


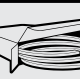

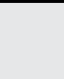


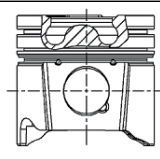
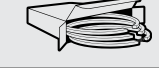
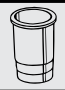

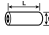
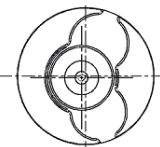



...Continued



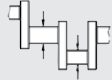
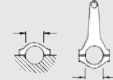





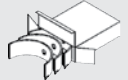
1158	 85.00	Diesel
		
	HR397	NA5191  42.00x62.00x7.00mm, PTFE NA5192  90.00x110.00x7.00mm, PTFE

1159	 85.00	Diesel					
RHK (DW10UTED4) Euro 4 (D4)	4 Cyl.	17.5:1	1997cc	79-88kW (107-120)PS	Turbo Intercooled	TD26952	483
RHM (DW10ATED4)	4 Cyl.	17.6:1	1997cc	79kW (107)PS	Turbo Intercooled	TD26957	491
RHZ (DW10ATED)	4 Cyl.	18:1	1997cc	80kW (109)PS	Turbocharged	TD26954	498

									
BE/PL	4	49.984/50.000	53.695/53.708	20.000	1.838	0.020/0.070	SP	71-3952	71-3952/4 STD 0.30 [21]
MB/HL 1-5	5	59.981/60.000	63.731/63.750	20.290	1.845	0.040/0.100	AL-LF	66726RA	H1057/5 STD 0.30 0.50
TW/A	4	67.050/67.300	83.050/83.300		2.330		BS	66721BF	A214/4 STD 0.10
SE/PB	1	27.997/28.000	30.200/30.225	24.050			BS-LF	55-3985	55-3985 SEMI
CB/NWB	4	27.982/28.000	31.200/31.218	18.150	1.594		AL-LF	03-3981	N151/6 STD
CB/NWB	8	27.982/28.000	31.200/31.218	18.150	1.594		AL-LF	03-3982	




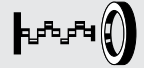


1160	 85.00	Diesel					
RHK	4 Cyl.	17.5:1	1997cc	88kW (120)PS	Turbo Intercooled	TD20267	489



									
87-114700-40	STD		08-114700-00 STD 08-114708-00 0.60mm						
A 46.71 B- 15.40 BØ 44.80 C 0.57 D 72.71  28x70			3.50  CK P 2.00  P 3.00  CR P						
AK KK RT TP									

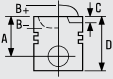


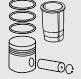
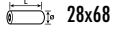
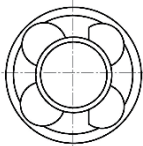



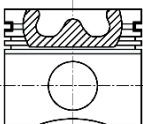
									
BE/PL	4	49.984/50.000	53.695/53.708	20.000	1.838	0.020/0.070	SP	71-3952	71-3952/4 STD 0.30 [21]
MB/HL 1-5	5	59.981/60.000	63.731/63.750	20.290	1.845	0.040/0.100	AL-LF	66726RA	H1057/5 STD 0.30 0.50
TW/A	4	67.050/67.300	83.050/83.300		2.330		BS	66721BF	A214/4 STD 0.10
SE/PB	1	27.997/28.000	30.200/30.225	24.050			BS-LF	55-3985	55-3985 SEMI
CB/NWB	4	27.982/28.000	31.200/31.218	18.150	1.594		AL-LF	03-3981	N151/6 STD
CB/NWB	8	27.982/28.000	31.200/31.218	18.150	1.594		AL-LF	03-3982	



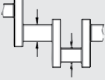
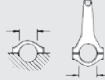





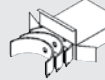
FIAT GROUP






...Continued



1160	 85.00	Diesel
		
ED5500	HR397	NA5191  42.00x62.00x7.00mm, PTFE NA5192  90.00x110.00x7.00mm, PTFE

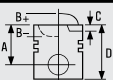






1161	 85.00	Diesel				
RHM (DW10ATED4)	4 Cyl.	1997cc	79kW (107)PS	Turbo Intercooled	TD18906	490

			
87-114700-10 87-114708-10	STD 0.60mm	08-114700-00 08-114708-00	STD 0.60mm
A 46.73 B- 18.80 BØ 39.80 C 1.67 D 72.70  28x68		3.50  CK P 2.00  P 3.00  CR P	
AK KK RT TP			
	08517-103		




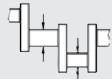
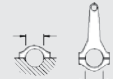











									
BE/PL	4	49.984/50.000	53.695/53.708	20.000	1.838	0.020/0.070	SP	71-3952	71-3952/4 STD 0.30 [21]
MB/HL 1-5	5	59.981/60.000	63.731/63.750	20.290	1.845	0.040/0.100	AL-LF	66726RA	H1057/5 STD 0.30 0.50
TW/A	4	67.050/67.300	83.050/83.300		2.330		BS	66721BF	A214/4 STD 0.10
SE/PB	1	27.997/28.000	30.200/30.225	24.050			BS-LF	55-3985	55-3985 SEMI
CB/NWB	4	27.982/28.000	31.200/31.218	18.150	1.594		AL-LF	03-3981	N151/6 STD
CB/NWB	8	27.982/28.000	31.200/31.218	18.150	1.594		AL-LF	03-3982	



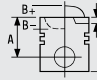

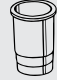
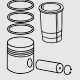




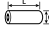


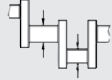
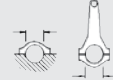











		
ED5500	HR397	NA5191  42.00x62.00x7.00mm, PTFE NA5192  90.00x110.00x7.00mm, PTFE

1162	 85.00	Diesel					
RHR	4 Cyl.	18:1	1997cc	100kW (136)PS	Turbo Intercooled	TD20268	493
RHR (DW10BTED4) Euro 4 (D4)	4 Cyl.	18:1	1997cc	100kW (136)PS	Turbo Intercooled	TD26955	492
RHW (DW10ATED4)	4 Cyl.	18:1	1997cc	80kW (109)PS	Turbo Intercooled	TD16789	495

			
	08-114700-00 08-114708-00	STD 0.60mm	
	3.50  CK P 2.00  P 3.00  CR P		

...Continued

1162		 85.00	Diesel							
										[21]
BE/PL	4	49.984/50.000	53.695/53.708	20.000	1.838	0.020/0.070	SP	71-3952	71-3952/4 STD 0.30	
MB/HL 1-5	5	59.981/60.000	63.731/63.750	20.290	1.845	0.040/0.100	AL-LF	66726RA	H1057/5 STD 0.30 0.50	
TW/A	4	67.050/67.300	83.050/83.300		2.330		BS	66721BF	A214/4 STD 0.10	
SE/PB	1	27.997/28.000	30.200/30.225	24.050			BS-LF	55-3985	55-3985 SEMI	
CB/NWB	4	27.982/28.000	31.200/31.218	18.150	1.594		AL-LF	03-3981	N151/6 STD	
CB/NWB	8	27.982/28.000	31.200/31.218	18.150	1.594		AL-LF	03-3982		
										
ED5500			HR397			NA5191  42.00x62.00x7.00mm, PTFE NA5192  90.00x110.00x7.00mm, PTFE				

1163		 85.00	Diesel							
RHV (DW10)		4 Cyl.	18:1	1997cc	62kW (84)PS	Turbo Intercooled		TD16406	494	
										
87-114700-00	STD			08-114700-00	STD					
87-114708-00	0.60mm			08-114708-00	0.60mm					
A 46.75				3.50		CK P				
B- 18.30				2.00		P				
BØ 38.00				3.00		CR P				
C 1.00										
D 80.75										
 28x70										
AK RT TP		08570-109								
										[21]
BE/PL	4	49.984/50.000	53.695/53.708	20.000	1.838	0.020/0.070	SP	71-3952	71-3952/4 STD 0.30	
MB/HL 1-5	5	59.981/60.000	63.731/63.750	20.290	1.845	0.040/0.100	AL-LF	66726RA	H1057/5 STD 0.30 0.50	
TW/A	4	67.050/67.300	83.050/83.300		2.330		BS	66721BF	A214/4 STD 0.10	
SE/PB	1	27.997/28.000	30.200/30.225	24.050			BS-LF	55-3985	55-3985 SEMI	
CB/NWB	4	27.982/28.000	31.200/31.218	18.150	1.594		AL-LF	03-3981	N151/6 STD	
CB/NWB	8	27.982/28.000	31.200/31.218	18.150	1.594		AL-LF	03-3982		
										
EA5830			HR397			NA5191  42.00x62.00x7.00mm, PTFE NA5192  90.00x110.00x7.00mm, PTFE				

1164

 85.00

Diesel



RHW (DW10ATED4)

4 Cyl.

17.1:1

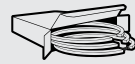
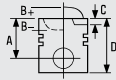
1997cc

80kW (109)PS

Turbo Intercooled

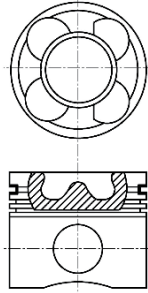
TD16735

496



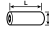
87-114700-10
87-114708-10

STD
0.60mm





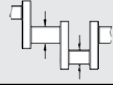
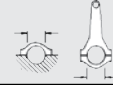





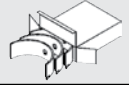
08-114700-00 STD
08-114708-00 0.60mm

3.50 CK P
2.00 P
3.00 CR P

A 46.73
B- 18.80
BØ 39.80
C 1.67
D 72.70
 28x68

AK KK RT TP

08517-103

									
BE/PL	4	49.984/50.000	53.695/53.708	20.000	1.838	0.020/0.070	SP	71-3952	71-3952/4 [21] STD 0.30
MB/HL 1-5	5	59.981/60.000	63.731/63.750	20.290	1.845	0.040/0.100	AL-LF	66726RA	H1057/5 STD 0.30 0.50
TW/A	4	67.050/67.300	83.050/83.300		2.330		BS	66721BF	A214/4 STD 0.10
SE/PB	1	27.997/28.000	30.200/30.225	24.050			BS-LF	55-3985	55-3985 SEMI
CB/NWB	4	27.982/28.000	31.200/31.218	18.150	1.594		AL-LF	03-3981	N151/6 STD
CB/NWB	8	27.982/28.000	31.200/31.218	18.150	1.594		AL-LF	03-3982	



HR397

NA5191  42.00x62.00x7.00mm, PTFE

1165

 85.00

Diesel



RHX

4 Cyl.

17.6:1

1997cc

69kW (94)PS

Turbo Intercooled

TD16299

497

RHZ

4 Cyl.

17.6:1

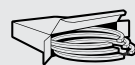
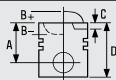
1997cc

80kW (109)PS

Turbo Intercooled

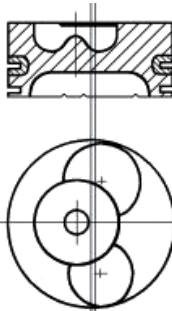
TD16324

497



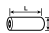
87-114700-00
87-114708-00

STD
0.60mm



08-114700-00 STD
08-114708-00 0.60mm




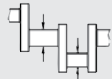
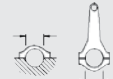







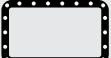



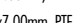
3.50 CK P
2.00 P
3.00 CR P



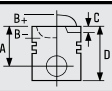



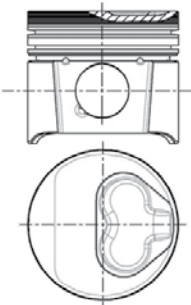


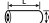

A 46.75
B- 18.30
BØ 38.00
C 1.00
D 80.75
 28x70




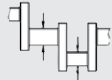
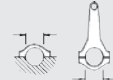







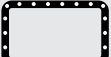




AK RT TP

08570-109

...Continued

1165		 85.00		Diesel							
											
BE/PL	4	49.984/50.000	53.695/53.708	20.000	1.838	0.020/0.070	SP	71-3952	71-3952/4 STD 0.30	[21]	
MB/HL 1-5	5	59.981/60.000	63.731/63.750	20.290	1.845	0.040/0.100	AL-LF	66726RA	H1057/5 STD 0.30 0.50		
TW/A	4	67.050/67.300	83.050/83.300		2.330		BS	66721BF	A214/4 STD 0.10		
SE/PB	1	27.997/28.000	30.200/30.225	24.050			BS-LF	55-3985	55-3985 SEMI		
CB/NWB	4	27.982/28.000	31.200/31.218	18.150	1.594		AL-LF	03-3981	N151/6 STD		
CB/NWB	8	27.982/28.000	31.200/31.218	18.150	1.594		AL-LF	03-3982			
											
 EA5830			HR397 → KG5157 10.00x20.00x2.000mm → PB907 14.00x21.00x2.000mm				NA5191  42.00x62.00x7.00mm, PTFE NA5192  90.00x110.00x7.00mm, PTFE				

1166		 85.00		Diesel						
P 8 C		4 Cyl.	21.5:1	2088cc	80kW (109)PS	Turbocharged	TD1859		500	
										
87-126608-00	0.60mm					08-126600-00 STD				
A 44.95						08-126608-00 0.60mm				
B- 2.70						3.00  CK P				
D 74.80						2.00  NT				
 30x72						3.00  CR				
HA KK RT TP										

1166		 85.00		Diesel							
											
BE/PL	4	49.984/50.000	53.695/53.708	21.950	1.843	0.020/0.064	BS	4255CP	71-4279/4 STD 0.30		
MB/HL 1-5	5	59.981/60.000	63.731/63.750	20.290	1.845	0.040/0.100	AL-LF	66726RA	H1057/5 STD 0.30 0.50		
TW/A	4	67.050/67.300	83.050/83.300		1.880		AL-LF	4141AF	A188/4 STD		
											
 EV150			JJ283 [20] 				NA5191  42.00x62.00x7.00mm, PTFE				
			JJ283								

[20] Oil Pan Material: Steel

[20] Matériel pour carter d'huile: acier

[20] Materiale coppa olio: Acciaio

[20] Material cárter: Acero

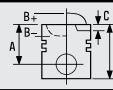
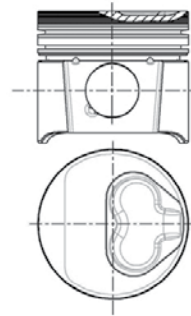
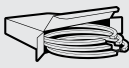
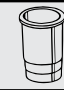








1167



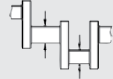
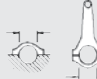





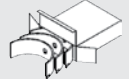
 85.00







Diesel



P8C 4 Cyl. 21.5:1 2088cc **80kW (109)PS** **Turbo Intercooled** **TD960** **499**

				
<p>87-126608-00 0.60mm</p> <p>A 44.95 B- 2.70 D 74.80</p> <p> 30x72</p> <p>HA KK RT TP</p>	<p>08-126600-00 STD 08-126608-00 0.60mm</p> <p>3.00  CK P 2.00  NT 3.00  CR</p> <p>08-154900-00 STD 08-154908-00 0.60mm</p> <p>3.00  P PS 2.00  P 3.00  CR P</p>			

									
BE/PL	4	49.984/50.000	53.695/53.708	21.950	1.843	0.020/0.064	BS	4255CP	71-4279/4 STD 0.30
MB/HL 1-5	5	59.981/60.000	63.731/63.750	20.290	1.845	0.040/0.100	AL-LF	66726RA	H1057/5 STD 0.30 0.50
TW/A	4	67.050/67.300	83.050/83.300		1.880		AL-LF	4141AF	A188/4 STD



		
<p>EV150</p>	<p>JJ283 [20] (Steel) = PA349 22.00x16.00x2.000mm = PB907 14.00x21.00x2.000mm</p>  <p>JJ283</p>	<p>NA5191  42.00x62.00x7.00mm, PTFE NA5192  90.00x110.00x7.00mm, PTFE</p>



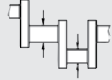
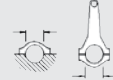





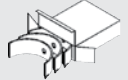
[20] Oil Pan Material: Steel






[20] Matériel pour carter d'huile: acier



[20] Materiale coppa olio: Acciaio

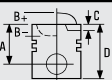
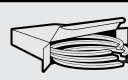


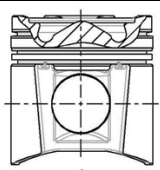

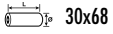



[20] Material cárter: Acero



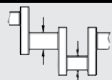
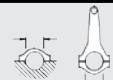





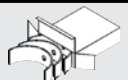
1168		85.00	Diesel				
4HR	4 Cyl.	2179cc	120kW (163)PS	Turbo Intercooled	TD24690	501	
4HR	4 Cyl.	2179cc	120kW (163)PS	Turbo Intercooled	TD24946	501	
4HS Euro 4 (D4)	4 Cyl.	16.6:1	2179cc	125kW (170)PS	Turbo Intercooled	TD24688	501
4HS Euro 4 (D4)	4 Cyl.	16.6:1	2179cc	125kW (170)PS	Turbo Intercooled	TD24775	501
4HT (DW12BTED4) Euro 4 (D4)	4 Cyl.	16.6:1	2179cc	125kW (170)PS	Bi-Turbocharged Intercooled	TD25656	502
4HT Euro 4 (D4)	4 Cyl.	17.5:1	2179cc	125kW (170)PS	Bi-Turbocharged Intercooled	TD24686	503

									
BE/PL	4	49.984/50.000	53.695/53.708	20.000	1.838	0.020/0.070	SP	71-3952	71-3952/4 STD 0.30 [21]
MB/HL 1-5	5	59.981/60.000	63.731/63.750	20.290	1.845	0.040/0.100	AL-LF	66726RA	H1057/5 STD 0.30 0.50
TW/A	4	67.050/67.300	83.050/83.300		2.330		BS	66721BF	A214/4 STD 0.10
SE/PB	1	29.995/30.000	33.000/33.025	24.050			BS-LF	55-3984	55-3984 SEMI
CB/NWB	4	27.982/28.000	31.200/31.218	18.150	1.594		AL-LF	03-3981	N151/6 STD
CB/NWB	8	27.982/28.000	31.200/31.218	18.150	1.594		AL-LF	03-3982	

		
	HR397	NA5191  42.00x62.00x7.00mm, PTFE NA5192  90.00x110.00x7.00mm, PTFE




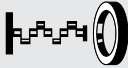



1169		85.00	Diesel				
4HW (DW12ATED4)	4 Cyl.	18:1	2179cc	94kW (128)PS	Turbo Intercooled	TD16790	505



			
87-114700-30 87-114708-30	STD 0.60mm	 	08-114700-00 STD 08-114708-00 0.60mm
A 48.70 B- 18.00 BØ 40.80 C 0.40 C 0.40 D 77.70  30x68			3.50  CK P 2.00  P 3.00  CR P
AK KK RT			

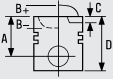


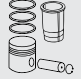
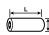
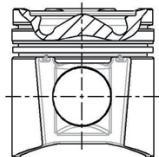




									
BE/PL	4	49.984/50.000	53.695/53.708	20.000	1.838	0.020/0.070	SP	71-3952	71-3952/4 STD 0.30 [21]
MB/HL 1-5	5	59.981/60.000	63.731/63.750	20.290	1.845	0.040/0.100	AL-LF	66726RA	H1057/5 STD 0.30 0.50
TW/A	4	67.050/67.300	83.050/83.300		2.330		BS	66721BF	A214/4 STD 0.10
SE/PB	1	29.995/30.000	33.000/33.025	24.050			BS-LF	55-3984	55-3984 SEMI
CB/NWB	4	27.982/28.000	31.200/31.218	18.150	1.594		AL-LF	03-3981	N151/6 STD
CB/NWB	8	27.982/28.000	31.200/31.218	18.150	1.594		AL-LF	03-3982	



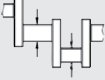
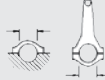






FIAT GROUP






...Continued



1169	 85.00	Diesel
		
 ED5490	HR397	NA5191  42.00x62.00x7.00mm, PTFE NA5192  90.00x110.00x7.00mm, PTFE

1170	 85.00	Diesel					
4HW(DW12ATED4)	4 Cyl.	18:1	2179cc	94kW (128)PS	Turbo Intercooled	TD16736	504

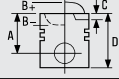
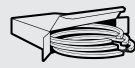
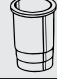

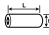



			
87-114700-30 STD 87-114708-30 0.60mm A 48.70 B- 18.00 BØ 40.80 C 0.40 C 0.40 D 77.70  30x68	  AK KK RT	08-114700-00 STD 08-114708-00 0.60mm 3.50  CK P 2.00  P 3.00  CR P	



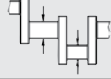
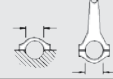





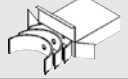
									
BE/PL	4	49.984/50.000	53.695/53.708	20.000	1.838	0.020/0.070	SP	71-3952	71-3952/4 [21] STD 0.30
MB/HL 1-5	5	59.981/60.000	63.731/63.750	20.290	1.845	0.040/0.100	AL-LF	66726RA	H1057/5 STD 0.30 0.50
TW/A	4	67.050/67.300	83.050/83.300		2.330		BS	66721BF	A214/4 STD 0.10
SE/PB	1	29.995/30.000	33.000/33.025	24.050			BS-LF	55-3984	55-3984 SEMI
CB/NWB	4	27.982/28.000	31.200/31.218	18.150	1.594		AL-LF	03-3981	N151/6 STD
CB/NWB	8	27.982/28.000	31.200/31.218	18.150	1.594		AL-LF	03-3982	



		
 ED5490	HR397	NA5191  42.00x62.00x7.00mm, PTFE

1171  **85.00 Diesel** 

4HX (DW12TED4) 4 Cyl. 18:1 2179cc **94-100kW (128-136)PS** Turbo Intercooled **TD22230**



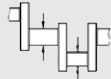
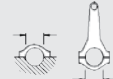





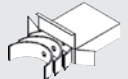
			
87-114700-30 87-114708-30 STD 0.60mm A 48.70 B- 18.00 B0 40.80 C 0.40 C 0.40 D 77.70  30x68 AK KK RT	08-114700-00 STD 08-114708-00 0.60mm 3.50  CK P 2.00  P 3.00  CR P		

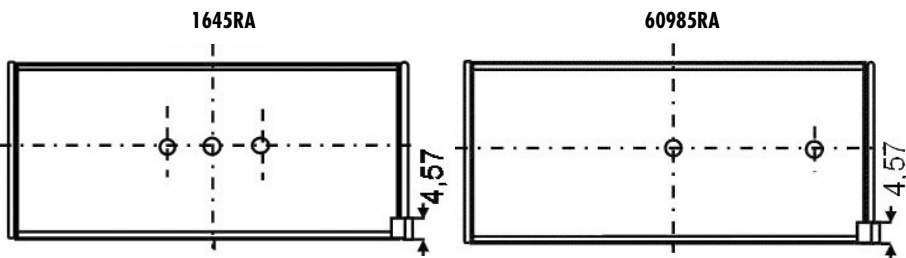
									
BE/PL	4	49.984/50.000	53.695/53.708	20.000	1.838	0.020/0.070	SP	71-3952	71-3952/4 [21] STD 0.30
MB/HL 1-5	5	59.981/60.000	63.731/63.750	20.290	1.845	0.040/0.100	AL-LF	66726RA	H1057/5 STD 0.30 0.50
TW/A	4	67.050/67.300	83.050/83.300		2.330		BS	66721BF	A214/4 STD 0.10
SE/PB	1	29.995/30.000	33.000/33.025	24.050			BS-LF	55-3984	55-3984 SEMI
CB/NWB	4	27.982/28.000	31.200/31.218	18.150	1.594		AL-LF	03-3981	N151/6 STD
CB/NWB	8	27.982/28.000	31.200/31.218	18.150	1.594		AL-LF	03-3982	

1172  **86.00 Petrol** 

128 A1.000 4 Cyl. 9:1 1290cc **44kW (60)PS** **TD889 506**

128 AC.000 4 Cyl. 9:1 1290cc **55kW (75)PS** **TD890 506**




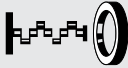
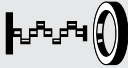

									
BE/PL	4	45.508/45.528	48.629/48.646	19.200	1.547	0.020/0.069	AL-LF	1645RA	01-4127/4 STD 0.25 0.50
BE/PL	4	45.508/45.528	48.629/48.646	19.200	1.538	0.025/0.087	AL-LF	60985RA	01-4171/4 STD







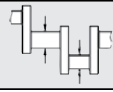
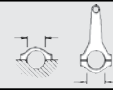


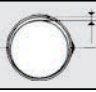

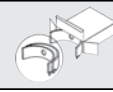
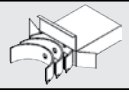
MB/HL 1,2,4,5	4	50.785/50.805	54.507/54.520	20.250	1.831	0.040/0.098	AL-LF	60986RA	H1028/5 STD 0.25
MB/HL 3	1	50.785/50.805	54.507/54.520	22.750	1.831	0.040/0.098	AL-LF	60987RA	
TW/A	2	56.610/56.864	69.596/69.850		2.362		AL-LF	60987AFA	A198/2 STD .005
SE/PB	1	21.539/21.641	23.939/23.972	25.100			BS	62039Y	55-4288 SEMI

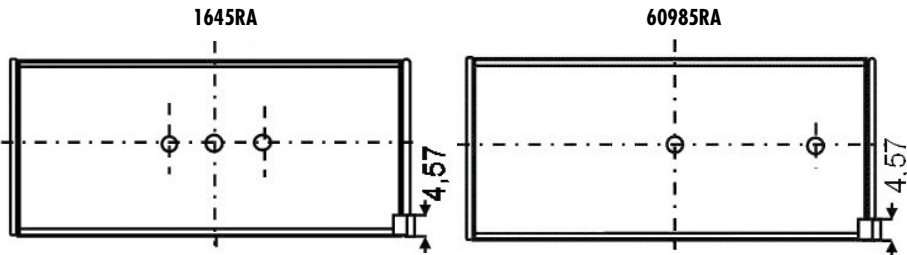
FIAT GROUP

...Continued



1172	 86.00	Petrol
		
	JH494	NA5051  40.00x56.00x7.00mm, FPM
		
	JH494	






1173	 86.00	Petrol			
128 AR.000	4 Cyl.	9:1	1290cc	50kW (68)PS	TD21448
128 AS.000	4 Cyl.	9.2:1	1290cc	54-55kW (73-75)PS	TD995 507



									
BE/PL	4	45.508/45.528	48.629/48.646	19.200	1.547	0.020/0.069	AL-LF	1645RA	01-4127/4 STD 0.25 0.50
BE/PL	4	45.508/45.528	48.629/48.646	19.200	1.538	0.025/0.087	AL-LF	60985RA	01-4171/4 STD





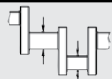






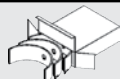
MB/HL 1,2,4,5	4	50.785/50.805	54.507/54.520	20.250	1.831	0.040/0.098	AL-LF	60986RA	H1028/5 STD 0.25
MB/HL 3	1	50.785/50.805	54.507/54.520	22.750	1.831	0.040/0.098	AL-LF	60987RA	
TW/A	2	56.610/56.864	69.596/69.850		2.362		AL-LF	60987AFA	A198/2 STD .005
SE/PB	1	21.539/21.641	23.939/23.972	25.100			BS	62039Y	55-4288 SEMI

1174	 86.00	Petrol			
194 A1.000	4 Cyl.	10:1	2198cc	108kW (147)PS	TD18447 517
939 A5.000	4 Cyl.		2198cc	136kW (185)PS	TD18913 518
939 A6.000	4 Cyl.	11.3:1	1859cc	118kW (160)PS	TD18475 508

		
	HR397	NA5108  42.00x55.00x7.00mm, FPM/ACM NB806  90.00x104.00x11.00mm, FPM

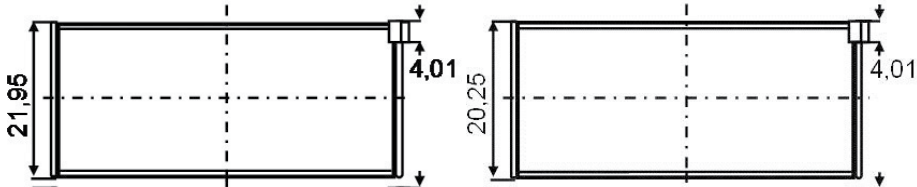
1175  **86.00** **Petrol** 

RFL 4 Cyl. 9.5:1 1998cc **81kW (110)PS** **TD16405** **509**


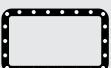


									
BE/PL	4	49.984/50.000	53.695/53.708	21.950	1.834	0.027/0.081	AL-LF	4150RA	01-4149/4 STD 0.30
BE/PL	4	49.984/50.000	53.695/53.708	20.250	1.837	0.021/0.075	AL	4305RA	01-4298/4 STD 0.30

4150RA

4305RA



MB/HL 1-5	5	59.981/60.000	63.731/63.750	20.290	1.845	0.040/0.100	AL-LF	66726RA	H1057/5 STD 0.30 0.50
TW/A	4	67.050/67.300	83.050/83.300		1.880		AL-LF	4141AF	A188/4 STD
TW/A	2	56.800/57.050	73.300/73.550		2.400		AL-LF	4131AF	A241/2 STD

		
ES820	JJ283 [20]	NA5191 42.00x62.00x7.00mm, PTFE NA5192 90.00x110.00x7.00mm, PTFE
		



JJ283

[20] Oil Pan Material: Steel

[20] Matériel pour carter d'huile: acier

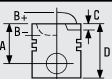



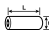
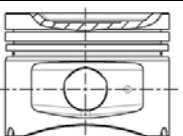
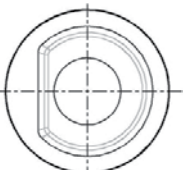



[20] Materiale coppa olio: Acciaio

[20] Material cárter: Acero

1176  **86.00** **Petrol** 

RFU (XU10J2C) 4 Cyl. 9.5:1 1998cc **89kW (121)PS** **TD4349** **510**

RFW 4 Cyl. 9.5:1 1998cc **80kW (109)PS** **TD6808** **513**


			
87-154600-00 87-154608-00	STD 0.60mm	08-154600-00 08-154605-00 08-154608-00	STD 0.25mm 0.60mm
A 40.00 B- 5.02 D 65.00  22x62	 	1.50  MO P 1.75  P 3.00  CR [15]	



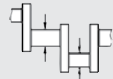
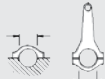





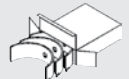
[15] Steel

[15] Acier

[15] Acciaio

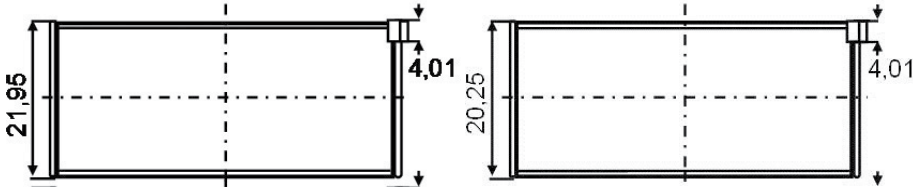
[15] Acero

1176  **86.00** **Petrol**




									
BE/PL	4	49.984/50.000	53.695/53.708	21.950	1.834	0.027/0.081	AL-LF	4150RA	01-4149/4 STD 0.30
BE/PL	4	49.984/50.000	53.695/53.708	20.250	1.837	0.021/0.075	AL	4305RA	01-4298/4 STD 0.30

4150RA

4305RA

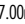
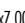


MB/HL 1-5	5	59.981/60.000	63.731/63.750	20.290	1.845	0.040/0.100	AL-LF	66726RA	H1057/5 STD 0.30 0.50
TW/A	4	67.050/67.300	83.050/83.300		1.880		AL-LF	4141AF	A188/4 STD
TW/A	2	56.800/57.050	73.300/73.550		2.400		AL-LF	4131AF	A241/2 STD

		
---	---	---

ES820

JJ283 [20]
(Steel)
=PA349
22.00x16.00x2.000mm
=PB907
14.00x21.00x2.000mm

NA5191  42.00x62.00x7.00mm, PTFE
NA5192  90.00x110.00x7.00mm, PTFE





JJ283

[20] Oil Pan Material: Steel

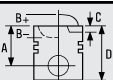


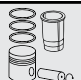



[20] Matériel pour carter d'huile: acier

[20] Materiale coppa olio: Acciaio

[20] Material cárter: Acero

1177  **86.00** **Petrol** 

RFV (XU10J4R) 4 Cyl. 10.4:1 1998cc 97kW (132)PS TD26959 511

			
	<p>08-154600-00 STD 08-154605-00 0.25mm 08-154608-00 0.60mm</p> <p>1.50  MO P 1.75  P 3.00  CR [15]</p>		

[15] Steel



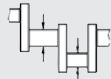
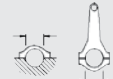





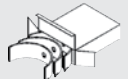
[15] Acier

[15] Acciaio

[15] Acero

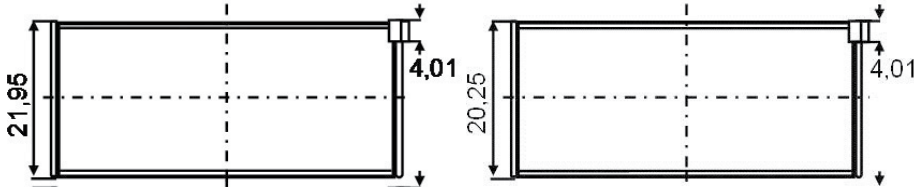
...Continued


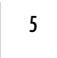
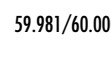
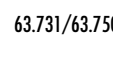

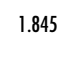
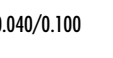





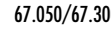
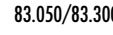

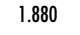
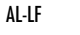



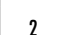
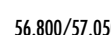



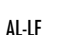


1177  **86.00** **Petrol**



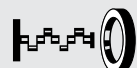
									
BE/PL	4	49.984/50.000	53.695/53.708	21.950	1.834	0.027/0.081	AL-LF	4150RA	01-4149/4 STD 0.30
BE/PL	4	49.984/50.000	53.695/53.708	20.250	1.837	0.021/0.075	AL	4305RA	01-4298/4 STD 0.30

4150RA

4305RA

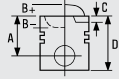
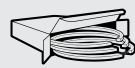
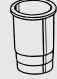






									
MB/HL 1-5	5	59.981/60.000	63.731/63.750	20.290	1.845	0.040/0.100	AL-LF	66726RA	H1057/5 STD 0.30 0.50
									
TW/A	4	67.050/67.300	83.050/83.300	1.880	1.880	AL-LF	4141AF	A188/4 STD	
									
TW/A	2	56.800/57.050	73.300/73.550	2.400	2.400	AL-LF	4131AF	A241/2 STD	

		
EV140	HR397	

1178  **86.00** **Petrol** 

RFV 4 Cyl. 10.4:1 1998cc 97-100kW (132-136)PS TD18824

			
	<p>08-154600-00 STD</p> <p>08-154605-00 0.25mm</p> <p>08-154608-00 0.60mm</p> <p>1.50  MO P</p> <p>1.75  P</p> <p>3.00  CR [15]</p>		

[15] Steel

[15] Acier



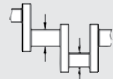
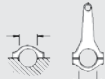





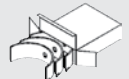
[15] Acciaio

[15] Acero

FIAT GROUP

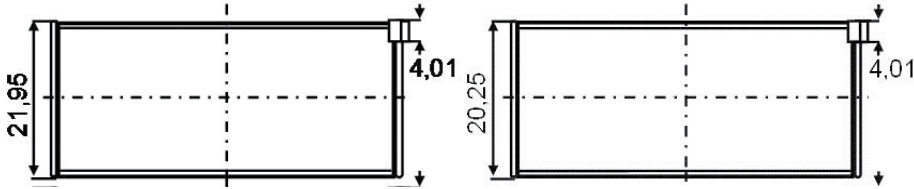
...Continued

1178 86.00 Petrol





									
BE/PL	4	49.984/50.000	53.695/53.708	21.950	1.834	0.027/0.081	AL-LF	4150RA	01-4149/4 STD 0.30
BE/PL	4	49.984/50.000	53.695/53.708	20.250	1.837	0.021/0.075	AL	4305RA	01-4298/4 STD 0.30

4150RA

4305RA

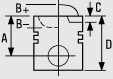
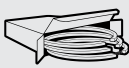

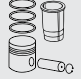





MB/HL 1-5	5	59.981/60.000	63.731/63.750	20.290	1.845	0.040/0.100	AL-LF	66726RA	H1057/5 STD 0.30 0.50
TW/A	4	67.050/67.300	83.050/83.300		1.880		AL-LF	4141AF	A188/4 STD
TW/A	2	56.800/57.050	73.300/73.550		2.400		AL-LF	4131AF	A241/2 STD

		
EV140	HR397	NA5191  42.00x62.00x7.00mm, PTFE

1179 86.00 Petrol



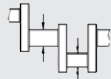
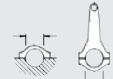





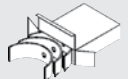
RGX (XU10J2CTE) 4 Cyl. 8.5:1 1998cc 108kW (147)PS Turbo Intercooled TD4355 514

			
	08-154600-00 STD 08-154605-00 0.25mm 08-154608-00 0.60mm 1.50  MO P 1.75  P 3.00  CR [15]		

[15] Steel [15] Acier [15] Acciaio [15] Acero

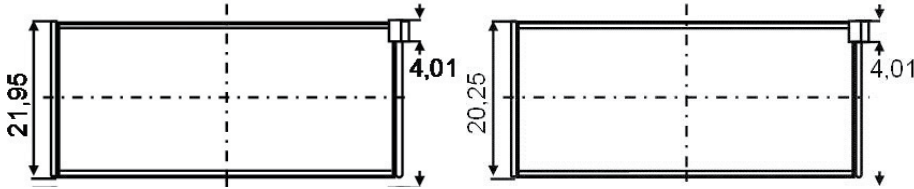
...Continued

1179  **86.00** **Petrol**




									
BE/PL	4	49.984/50.000	53.695/53.708	21.950	1.834	0.027/0.081	AL-LF	4150RA	01-4149/4 STD 0.30
BE/PL	4	49.984/50.000	53.695/53.708	20.250	1.837	0.021/0.075	AL	4305RA	01-4298/4 STD 0.30

4150RA

4305RA





MB/HL 1-5	5	59.981/60.000	63.731/63.750	20.290	1.845	0.040/0.100	AL-LF	66726RA	H1057/5 STD 0.30 0.50
TW/A	4	67.050/67.300	83.050/83.300		1.880		AL-LF	4141AF	A188/4 STD
TW/A	2	56.800/57.050	73.300/73.550		2.400		AL-LF	4131AF	A241/2 STD

		
---	---	---

ES820

JJ283 [20]

NA5191  42.00x62.00x7.00mm, PTFE
NA5192  90.00x110.00x7.00mm, PTFE



JJ283

[20] Oil Pan Material: Steel

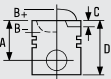
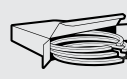
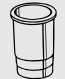
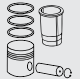



[20] Matériel pour carter d'huile: acier

[20] Materiale coppa olio: Acciaio

[20] Material cárter: Acero

1180  **86.00** **Petrol** 

RGX (XU10J2TE)	4 Cyl.	8.8:1	1998cc	108kW (147)PS	Turbocharged	TD26958	515
-----------------------	---------------	--------------	---------------	----------------------	---------------------	----------------	------------



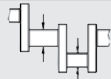
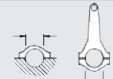





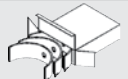
			
	<p>08-154600-00 STD 08-154605-00 0.25mm 08-154608-00 0.60mm</p> <p>1.50  MO P 1.75  P 3.00  CR [15]</p>		

[15] Steel

[15] Acier

[15] Acciaio

[15] Acero

									
BE/PL	4	49.984/50.000	53.695/53.708	21.950	1.843	0.020/0.064	BS	4255CP	71-4279/4 STD 0.30
MB/HL 1-5	5	59.981/60.000	63.731/63.750	20.290	1.845	0.040/0.100	AL-LF	66726RA	H1057/5 STD 0.30 0.50
TW/A	4	67.050/67.300	83.050/83.300		1.880		AL-LF	4141AF	A188/4 STD

1181

86.00

Diesel



4HU Euro 4 (D4)

4 Cyl.

17.5:1

2198cc

88kW (120)PS

Turbo Intercooled

TD25655

<p>87-427700-10 STD 87-427707-10 0.50mm</p> <p>A 43.42 B- 15.85 BØ 46.90 D 69.82 30x67</p> <p>KK RT TP</p>	<p>08-427700-00 STD 08-427707-00 0.50mm</p> <p>2.00 CK P 2.00 P 2.00 NT [15]</p> <p>8648B105</p>	<p>14-021120-00 D B 89.00 C 156.00 D 90.90 E 5.00</p>	
--	--	--	--

[15] Steel [15] Acier [15] Acciaio [15] Acero

BE/PL	MB/HL	MB/HL	MB/HL	MB/HL	MB/HL	MB/HL	MB/HL	MB/HL	MB/HL
4	4	3	2	1					
52.980/53.000	64.940	64.940	69.940	64.940					
55.996/56.016	69.520	69.520	74.520	69.520					
24.450	23.280	24.080	19.580	30.150					
1.487	2.250	2.250	2.250	2.250					
0.026/0.084									
BS	AL-LF	AL-LF	AL-LF	AL-LF					
71-4066	02-4067	02-4068	02-4069	02-4070H					
									71-4066/4 STD 0.25 0.50 H1018/5 STD 0.25 0.50

1182

86.00

Diesel



4HV Euro 4 (D4)

4 Cyl.

17.5:1

2198cc

74kW (101)PS

Turbo Intercooled




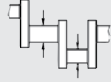
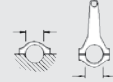





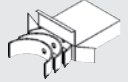





TD20266


516



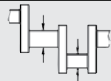
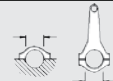





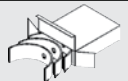
<p>87-427700-30 STD</p> <p>A 43.42 B- 15.85 BØ 46.90 D 69.82 30x67</p> <p>RT TP</p>	<p>08-427700-00 STD 08-427707-00 0.50mm</p> <p>2.00 CK P 2.00 P 2.00 NT [15]</p> <p>08650A105</p>	<p>14-021120-00 D B 89.00 C 156.00 D 90.90 E 5.00</p>	
--	---	--	--

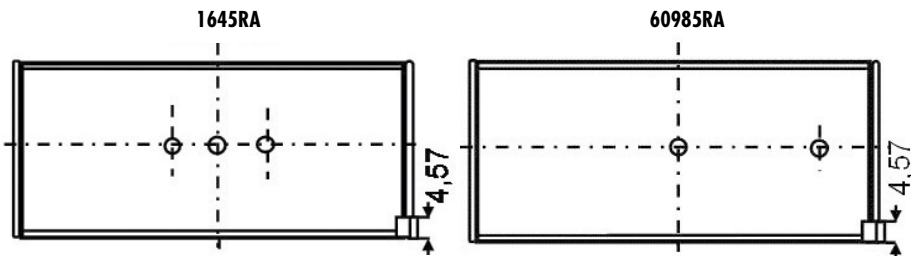
[15] Steel [15] Acier [15] Acciaio [15] Acero

...Continued

1182		 86.00	Diesel							
										
BE/PL	4	52.980/53.000	55.996/56.016	24.450	1.487	0.026/0.084	BS	71-4066	71-4066/4 STD 0.25 0.50	
MB/HL	4	64.940	69.520	23.280	2.250		AL-LF	02-4067	H1018/5 STD 0.25 0.50	
MB/HL	3	64.940	69.520	24.080	2.250		AL-LF	02-4068		
MB/HL	2	69.940	74.520	19.580	2.250		AL-LF	02-4069		
MB/HL	1	64.940	69.520	30.150	2.250		AL-LF	02-4070H		
										
			HR397				NA5031  50.00x86.50x13.70mm, PTFE NA5030  106.00x196.00x15.20mm, FPM			

1183		 86.40	Petrol							
128 A3.000	4 Cyl.	9.1:1	1301cc	55kW (75)PS				TD21446		
138 A.000	4 Cyl.	9.1:1	1302cc	37-48kW (50-65)PS				TD18855	525	
149 A7.003	4 Cyl.	9.2:1	1301cc	48-50kW (65-68)PS				TD23357		

									
BE/PL	4	45.508/45.528	48.629/48.646	19.200	1.547	0.020/0.069	AL-LF	1645RA	01-4127/4 STD 0.25 0.50
BE/PL	4	45.508/45.528	48.629/48.646	19.200	1.538	0.025/0.087	AL-LF	60985RA	01-4171/4 STD



MB/HL 1,2,4,5	4	50.785/50.805	54.507/54.520	20.250	1.831	0.040/0.098	AL-LF	60986RA	H1028/5 STD 0.25
MB/HL 3	1	50.785/50.805	54.507/54.520	22.750	1.831	0.040/0.098	AL-LF	60987RA	
TW/A	2	56.610/56.864	69.596/69.850		2.362		AL-LF	60987AFA	A198/2 STD .005
SE/PB	1	21.539/21.641	23.939/23.972	25.100			BS	62039Y	55-4288 SEMI

1184

86.40

Petrol



138 A1.000	4 Cyl.	9:1	1301cc	48kW (65)PS	TD4368	519
138 A3.000	4 Cyl.	9:1	1301cc	55kW (75)PS	TD4362	520

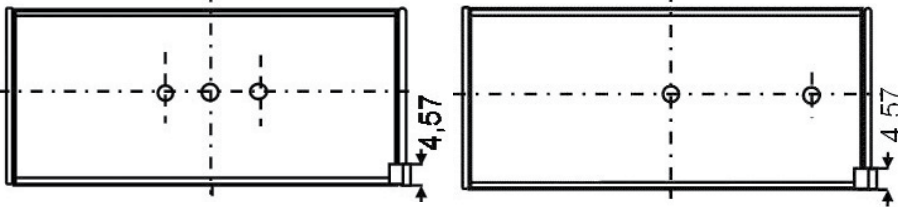
	08-209700-00 STD 08-209706-00 0.40mm 08-209708-00 0.60mm 1.50 CR P 2.00 P 3.95 CR [15]		

[15] Steel [15] Acier [15] Acciaio [15] Acero

BE/PL	4	45.508/45.528	48.629/48.646	19.200	1.547	0.020/0.069	AL-LF	1645RA	01-4127/4 STD 0.25 0.50
BE/PL	4	45.508/45.528	48.629/48.646	19.200	1.538	0.025/0.087	AL-LF	60985RA	01-4171/4 STD



1645RA



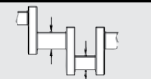




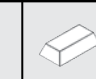


60985RA

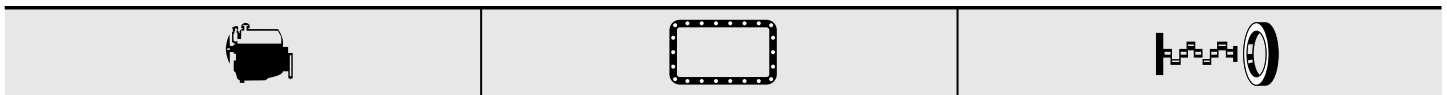


MB/HL 1,2,4,5	4	50.785/50.805	54.507/54.520	20.250	1.831	0.040/0.098	AL-LF	60986RA	H1028/5 STD 0.25
MB/HL 3	1	50.785/50.805	54.507/54.520	22.750	1.831	0.040/0.098	AL-LF	60987RA	
TW/A	2	56.610/56.864	69.596/69.850		2.362		AL-LF	60987AFA	A198/2 STD .005
SE/PB	1	21.539/21.641	23.939/23.972	25.100			BS	62039Y	55-4288 SEMI

	JH494 JH494	NB818 40.00x56.00x7.00mm, ACM NA5049 64.00x80.00x8.00mm, ACM

1185  **86.40** **Petrol** 
146 A5.000 4 Cyl. 9.3:1 1301cc **49kW (67)PS** **TD4376** **521**



									
BE/PL	4	43.988/44.008	47.130/47.142	18.500	1.546	0.030/0.087	AL-LF	68090RA	01-4207/4 STD 0.25 0.50
MB/HL 1,2,4,5	4	48.189/48.209	51.921/51.934	17.650	1.841	0.030/0.088	AL-LF	68091RA	H1069/5 STD 0.25 0.50
MB/HL 3	1	48.189/48.209	51.921/51.934	25.250	1.841	0.030/0.088	AL-LF	68092RA	
TW/A	2	54.224/54.478	66.996/67.520		2.362		AL-LF	68092AF	A221/2 STD
SE/PB	1	21.539/21.641	23.939/23.972	25.100			BS	62039Y	55-4288 SEMI



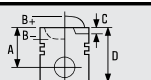


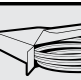


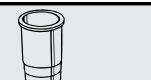

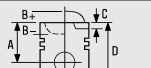

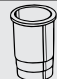
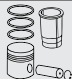





JJ078


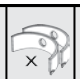

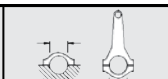



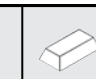


JJ078

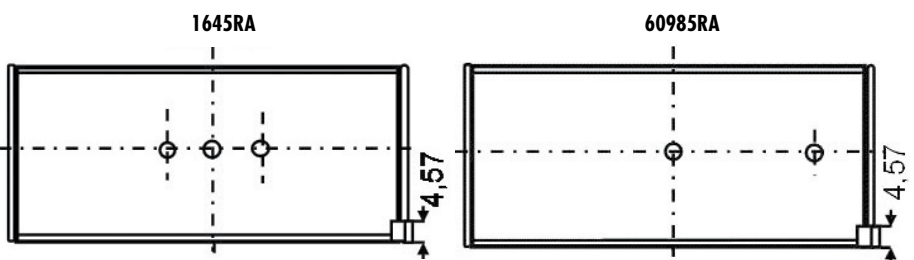
NB818  40.00x56.00x7.00mm, ACM

1186  **86.40** **Petrol** 
149 A3.000 4 Cyl. 9.1:1 1301cc **48kW (65)PS** **TD958** **522**

									
									
			08-209700-00 STD 08-209706-00 0.40mm 08-209708-00 0.60mm						
			1.50  CR P 2.00  P 3.95  CR [15]						

[15] Steel [15] Acier [15] Acciaio [15] Acero

									
BE/PL	4	45.508/45.528	48.629/48.646	19.200	1.547	0.020/0.069	AL-LF	1645RA	01-4127/4 STD 0.25 0.50
BE/PL	4	45.508/45.528	48.629/48.646	19.200	1.538	0.025/0.087	AL-LF	60985RA	01-4171/4 STD



MB/HL 1,2,4,5	4	50.785/50.805	54.507/54.520	20.250	1.831	0.040/0.098	AL-LF	60986RA	H1028/5 STD 0.25
MB/HL 3	1	50.785/50.805	54.507/54.520	22.750	1.831	0.040/0.098	AL-LF	60987RA	
TW/A	2	56.610/56.864	69.596/69.850		2.362		AL-LF	60987AFA	A198/2 STD .005
SE/PB	1	21.539/21.641	23.939/23.972	25.100			BS	62039Y	55-4288 SEMI

1186



86.40

Petrol



JJ453

→Eng.9508753



JJ453

NB818 40.00x56.00x7.00mm, ACM

NA5049 64.00x80.00x8.00mm, ACM

1187



86.40

Petrol



831 A2.000

4 Cyl.

9.5:1

130lcc

55-58kW (75-79)PS

TD4605

523

831 B.000

4 Cyl.

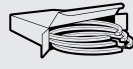
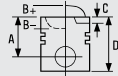
9.5:1

130lcc

55kW (75)PS

TD1809

524



08-209700-00 STD
08-209706-00 0.40mm
08-209708-00 0.60mm

1.50 CR P
2.00 P
3.95 CR [15]

[15] Steel

[15] Acier

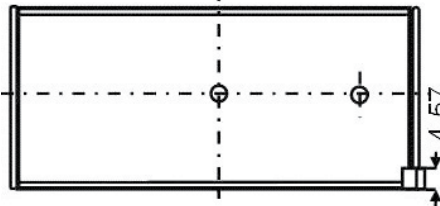
[15] Acciaio

[15] Acero

BE/PL	4	45.508/45.528	48.629/48.646	19.200	1.547	0.020/0.069	AL-LF	1645RA	01-4127/4 STD 0.25 0.50
BE/PL	4	45.508/45.528	48.629/48.646	19.200	1.538	0.025/0.087	AL-LF	60985RA	01-4171/4 STD

1645RA

60985RA

MB/HL 1,2,4,5	4	50.785/50.805	54.507/54.520	20.250	1.831	0.040/0.098	AL-LF	60986RA	H1028/5 STD 0.25
MB/HL 3	1	50.785/50.805	54.507/54.520	22.750	1.831	0.040/0.098	AL-LF	60987RA	
TW/A	2	56.610/56.864	69.596/69.850		2.362		AL-LF	60987AFA	A198/2 STD .005
SE/PB	1	21.539/21.641	23.939/23.972	25.100			BS	62039Y	55-4288 SEMI


1188

86.40

Petrol



138 B2.000	4 Cyl.	9.1:1	1302cc	50-51kW (68-69)PS	TD4363	526
149 A7.000	4 Cyl.	9.6:1	1302cc	48kW (65)PS	TD4382	526

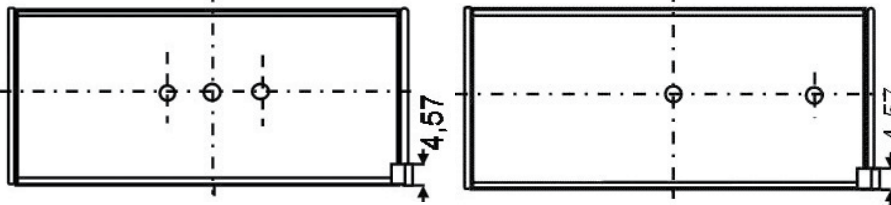
	08-209700-00 STD 08-209706-00 0.40mm 08-209708-00 0.60mm 1.50 CR P 2.00 P 3.95 CR [15]		

[15] Steel [15] Acier [15] Acciaio [15] Acero

BE/PL	4	45.508/45.528	48.629/48.646	19.200	1.547	0.020/0.069	AL-LF	1645RA	01-4127/4 STD 0.25 0.50
BE/PL	4	45.508/45.528	48.629/48.646	19.200	1.538	0.025/0.087	AL-LF	60985RA	01-4171/4 STD

1645RA

60985RA



MB/HL 1,2,4,5	4	50.785/50.805	54.507/54.520	20.250	1.831	0.040/0.098	AL-LF	60986RA	H1028/5 STD 0.25
MB/HL 3	1	50.785/50.805	54.507/54.520	22.750	1.831	0.040/0.098	AL-LF	60987RA	
TW/A	2	56.610/56.864	69.596/69.850		2.362		AL-LF	60987AFA	A198/2 STD .005
SE/PB	1	21.539/21.641	23.939/23.972	25.100			BS	62039Y	55-4288 SEMI

--	--	--

JJ453

NB818 40.00x56.00x7.00mm, ACM
NA5049 64.00x80.00x8.00mm, ACM



JJ453

FIAT GROUP



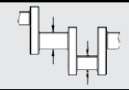

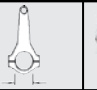




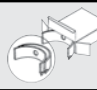

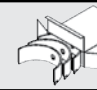
1189

 **86.40**

Petrol



149 A7.046 4 Cyl. 9.2:1 1302cc **50kW (68)PS** **TD23864**

											
BE/PL	4	43.988/44.008	47.130/47.142	18.500	1.546	0.030/0.087	AL-LF	68090RA	01-4207/4 STD 0.25 0.50		
MB/HL 1,2,4,5	4	48.189/48.209	51.921/51.934	17.650	1.841	0.030/0.088	AL-LF	68091RA	H1069/5 STD 0.25 0.50		
MB/HL 3	1	48.189/48.209	51.921/51.934	25.250	1.841	0.030/0.088	AL-LF	68092RA			
TW/A	2	54.224/54.478	66.996/67.520		2.362		AL-LF	68092AF	A221/2 STD		
SE/PB	1	21.539/21.641	23.939/23.972	25.100			BS	62039Y	55-4288 SEMI		

1190

 **86.40**

Petrol





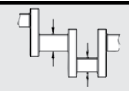

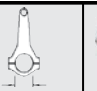


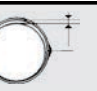

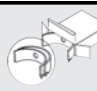

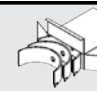
128 A5.000 4 Cyl. 9.1:1 1499cc **55-63kW (75-86)PS** **TD21447**

138 BS.031 4 Cyl. 1499cc **56kW (76)PS** **TD918**

138 C.048 4 Cyl. 1498cc **55-57kW (75-78)PS** **TD4367**

138 C2.048 4 Cyl. 9:1 1498cc **55kW (75)PS** **TD5424** **531**

149 A5.046 4 Cyl. 9.2:1 1498cc **58-63kW (79-86)PS** **TD23863**

											
BE/PL	4	45.508/45.528	48.629/48.646	19.200	1.547	0.020/0.069	AL-LF	1645RA	01-4127/4 STD 0.25 0.50		
MB/HL 1,2,4,5	4	52.982/53.000	56.705/56.718	20.750	1.843	0.019/0.075	AL-LF	4351RA	H1096/5 STD 0.25 0.50		
MB/HL 3	1	52.982/53.000	56.705/56.718	20.750	1.838	0.029/0.085	AL-LF	4352RA			
TW/A	2	56.610/56.864	69.596/69.850		2.362		AL-LF	60987AFA	A198/2 STD .005		
SE/PB	1	21.539/21.641	23.939/23.972	25.100			BS	62039Y	55-4288 SEMI		

1191

 **86.40**

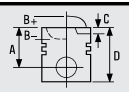
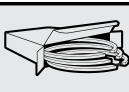





Petrol



138 A2.000 4 Cyl. 9:1 1498cc **55-57kW (75-78)PS** **TD916** **527**

138 A4.000 4 Cyl. 9.2:1 1498cc **63kW (86)PS** **TD4357** **528**

138 B3.000 4 Cyl. 9.2:1 1498cc **55-61kW (75-83)PS** **TD4365** **529**

			
	08-209700-00 STD 08-209706-00 0.40mm 08-209708-00 0.60mm 1.50  CR P 2.00  P 3.95  CR [15]		

[15] Steel



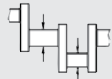
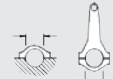




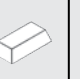



[15] Acier

[15] Acciaio

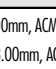

[15] Acero

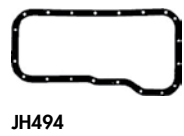
...Continued

1191  **86.40** **Petrol**

											
BE/PL	4	45.508/45.528	48.629/48.646	19.200	1.547	0.020/0.069	AL-LF	1645RA	01-4127/4 STD 0.25 0.50		
MB/HL 1,2,4,5	4	52.982/53.000	56.705/56.718	20.750	1.843	0.019/0.075	AL-LF	4351RA	H1096/5 STD 0.25 0.50		
MB/HL 3	1	52.982/53.000	56.705/56.718	20.750	1.838	0.029/0.085	AL-LF	4352RA			
TW/A	2	56.610/56.864	69.596/69.850		2.362		AL-LF	60987AFA	A198/2 STD .005		
SE/PB	1	21.539/21.641	23.939/23.972	25.100			BS	62039Y	55-4288 SEMI		

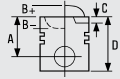
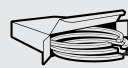
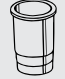






JH494
NB818  40.00x56.00x7.00mm, ACM
NA5049  64.00x80.00x8.00mm, ACM



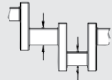
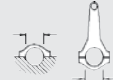




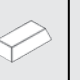





1192  **86.40** **Petrol**

138 AS.000	4 Cyl.	9:1	1499cc	63kW (85)PS	TD4359	537
831 B1.000	4 Cyl.	9.2:1	1498cc	59-63kW (80-86)PS	TD1811	535
831 B1.048	4 Cyl.		1498cc	55kW (75)PS	TD1810	536

			
	<p>08-209700-00 STD 08-209706-00 0.40mm 08-209708-00 0.60mm</p> <p>1.50  CR P 2.00  P 3.95  CR [15]</p>		

[15] Steel [15] Acier [15] Acciaio [15] Acero

											
BE/PL	4	45.508/45.528	48.629/48.646	19.200	1.547	0.020/0.069	AL-LF	1645RA	01-4127/4 STD 0.25 0.50		
MB/HL 1,2,4,5	4	52.982/53.000	56.705/56.718	20.750	1.843	0.019/0.075	AL-LF	4351RA	H1096/5 STD 0.25 0.50		
MB/HL 3	1	52.982/53.000	56.705/56.718	20.750	1.838	0.029/0.085	AL-LF	4352RA			
TW/A	2	56.610/56.864	69.596/69.850		2.362		AL-LF	60987AFA	A198/2 STD .005		
SE/PB	1	21.539/21.641	23.939/23.972	25.100			BS	62039Y	55-4288 SEMI		

FIAT GROUP

1193

86.40

Petrol



138 B3.048

4 Cyl.

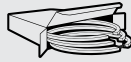
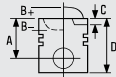
9:1

1498cc

55-57kW (75-78)PS

TD4364

530



08-209700-00 STD
08-209706-00 0.40mm
08-209708-00 0.60mm

1.50 CR P
 2.00 P
 3.95 CR [15]

[15] Steel

[15] Acier

[15] Acciaio

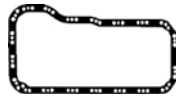
[15] Acero

BE/PL	4	45.508/45.528	48.629/48.646	19.200	1.547	0.020/0.069	AL-LF	1645RA	01-4127/4 STD 0.25 0.50	
MB/HL 1,2,4,5	4	52.982/53.000	56.705/56.718	20.750	1.843	0.019/0.075	AL-LF	4351RA	H1096/5 STD 0.25 0.50	
MB/HL 3	1	52.982/53.000	56.705/56.718	20.750	1.838	0.029/0.085	AL-LF	4352RA		
TW/A	2	56.610/56.864	69.596/69.850		2.362		AL-LF	60987AFA	A198/2 STD .005	
SE/PB	1	21.539/21.641	23.939/23.972	25.100			BS	62039Y	55-4288 SEMI	



JJ453

NB818 40.00x56.00x7.00mm, ACM
NA5049 64.00x80.00x8.00mm, ACM



JJ453

1194

86.40

Petrol



138 C3.048

4 Cyl.

1498cc

55-57kW (75-78)PS

TD4366

532

149 A5.000

4 Cyl.

9.2:1

1498cc








58kW (79)PS



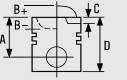
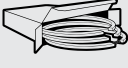

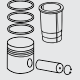



TD4381



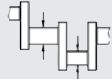
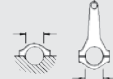






533





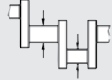
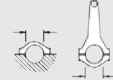





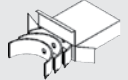
BE/PL	4	45.508/45.528	48.629/48.646	19.200	1.547	0.020/0.069	AL-LF	1645RA	01-4127/4 STD 0.25 0.50	
MB/HL 1,2,4,5	4	52.982/53.000	56.705/56.718	20.750	1.843	0.019/0.075	AL-LF	4351RA	H1096/5 STD 0.25 0.50	
MB/HL 3	1	52.982/53.000	56.705/56.718	20.750	1.838	0.029/0.085	AL-LF	4352RA		
TW/A	2	56.610/56.864	69.596/69.850		2.362		AL-LF	60987AFA	A198/2 STD .005	
SE/PB	1	21.539/21.641	23.939/23.972	25.100			BS	62039Y	55-4288 SEMI	

...Continued

1194	 86.40	Petrol
		
	JH494	NB818  40.00x56.00x7.00mm, ACM NA5049  64.00x80.00x8.00mm, ACM
		
	JH494	

1195	 86.40	Petrol				
831 A1.000	4 Cyl.	9.2:1	1498cc	63kW (86)PS	TD1805	534
						
	08-209700-00 STD 08-209706-00 0.40mm 08-209708-00 0.60mm					
	1.50  CR P 2.00  P 3.95  CR [15]					
[15] Steel	[15] Acier	[15] Acciaio	[15] Acero			



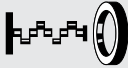




									
BE/PL	4	45.508/45.528	48.629/48.646	19.200	1.547	0.020/0.069	AL-LF	1645RA	01-4127/4 STD 0.25 0.50
MB/HL 1,2,4,5	4	50.780/50.800	54.507/54.520	20.250	1.849	0.020/0.067	AL-LF	1646RA	H1075/5 STD 0.25 0.50
MB/HL 3	1	50.780/50.800	54.507/54.520	22.750	1.849	0.020/0.067	AL-LF	1647RA	
TW/A	2	56.610/56.864	69.596/69.850		2.362		AL-LF	60987AFA	A198/2 STD .005
SE/PB	1	21.539/21.641	23.939/23.972	25.100			BS	62039Y	55-4288 SEMI

1196	 86.40	Petrol							
138 C2.048	4 Cyl.	9:1	1499cc	55kW (75)PS	TD926	538			
									
BE/PL	4	45.508/45.528	48.629/48.646	19.200	1.547	0.020/0.069	AL-LF	1645RA	01-4127/4 STD 0.25 0.50
MB/HL 1,2,4,5	4	52.982/53.000	56.705/56.718	20.750	1.843	0.019/0.075	AL-LF	4351RA	H1096/5 STD 0.25 0.50
MB/HL 3	1	52.982/53.000	56.705/56.718	20.750	1.838	0.029/0.085	AL-LF	4352RA	
TW/A	2	56.610/56.864	69.596/69.850		2.362		AL-LF	60987AFA	A198/2 STD .005
SE/PB	1	21.539/21.641	23.939/23.972	25.100			BS	62039Y	55-4288 SEMI

FIAT GROUP



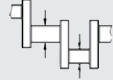
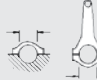






...Continued




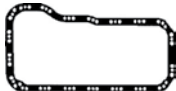


1196 86.40 Petrol

		
	<p>JH494 JJ453</p>   <p>JH494 JJ453</p>	<p>NB818  40.00x56.00x7.00mm, ACM NA5049  64.00x80.00x8.00mm, ACM</p>

1197 86.40 Petrol

149 C1.000 4 Cyl. 9.2:1 1499cc 49-55kW (67-75)PS TD973 539



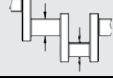
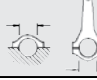




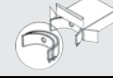
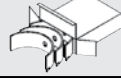
									
BE/PL	4	45.508/45.528	48.629/48.646	19.200	1.547	0.020/0.069	AL-LF	1645RA	01-4127/4 STD 0.25 0.50
MB/HL 1,2,4,5	4	52.982/53.000	56.705/56.718	20.750	1.843	0.019/0.075	AL-LF	4351RA	H1096/5 STD 0.25 0.50
MB/HL 3	1	52.982/53.000	56.705/56.718	20.750	1.838	0.029/0.085	AL-LF	4352RA	
TW/A	2	56.610/56.864	69.596/69.850		2.362		AL-LF	60987AFA	A198/2 STD .005
SE/PB	1	21.539/21.641	23.939/23.972	25.100			BS	62039Y	55-4288 SEMI



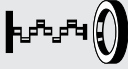

		
	<p>JJ453</p>  <p>JJ453</p>	<p>NB818  40.00x56.00x7.00mm, ACM NA5049  64.00x80.00x8.00mm, ACM</p>



1198 86.40 Petrol

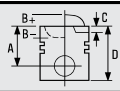
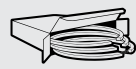
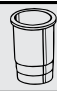

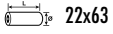
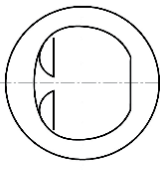
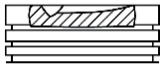



146 C6.000 4 Cyl. 19.5:1 1581cc 55kW (75)PS TD954 540



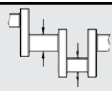
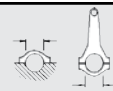



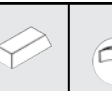
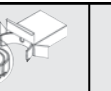
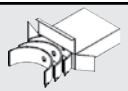
146 D6.000 4 Cyl. 9.2:1 1581cc 55kW (75)PS TD959 540







									
BE/PL	4	45.508/45.528	48.629/48.646	19.200	1.547	0.020/0.069	AL-LF	1645RA	01-4127/4 STD 0.25 0.50
MB/HL 1,2,4,5	4	50.780/50.800	54.507/54.520	20.250	1.849	0.020/0.067	AL-LF	1646RA	H1075/5 STD 0.25 0.50
MB/HL 3	1	50.780/50.800	54.507/54.520	22.750	1.849	0.020/0.067	AL-LF	1647RA	
TW/A	2	56.610/56.864	69.596/69.850		2.362		AL-LF	60987AFA	A198/2 STD .005
SE/PB	1	21.539/21.641	23.939/23.972	25.100			BS	62039Y	55-4288 SEMI



		
		

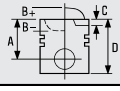
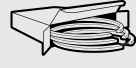
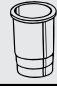

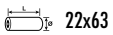
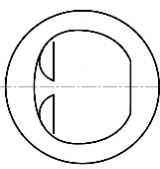
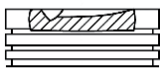



1199	 86.40	Petrol				
159 A3.000	4 Cyl.	9.2:1	1581cc	62-66kW (84-90)PS	TD9787	541
159 A3.046	4 Cyl.	9.2:1	1581cc	57-65kW (78-88)PS	TD1006	542

			
87-783700-00 STD 87-783706-00 0.40mm 87-783708-00 0.60mm A 33.30 B- 2.30 D 72.80  22x63	 	08-783700-00 STD 08-783706-00 0.40mm 08-783708-00 0.60mm 08-783711-00 1.00mm 1.50  CR P 1.75  P 3.00  CR [15]	
[15] Steel	[15] Acier	[15] Acciaio	[15] Acero

									
BE/PL	4	45.508/45.528	48.629/48.646	19.200	1.547	0.020/0.069	AL-LF	1645RA	01-4127/4 STD 0.25 0.50
MB/HL 1,2,4,5	4	50.780/50.800	54.507/54.520	20.250	1.849	0.020/0.067	AL-LF	1646RA	H1075/5 STD 0.25 0.50
MB/HL 3	1	50.780/50.800	54.507/54.520	22.750	1.849	0.020/0.067	AL-LF	1647RA	
TW/A	2	56.610/56.864	69.596/69.850		2.362		AL-LF	60987AFA	A198/2 STD .005
SE/PB	1	21.539/21.641	23.939/23.972	25.100			BS	62039Y	55-4288 SEMI

		
ET400	JJ453	NA5051  40.00x56.00x7.00mm, FPM NA5049  64.00x80.00x8.00mm, ACM
		
	JJ453	

1200	 86.40	Petrol				
159 A3.048	4 Cyl.	9.2:1	1581cc	51-66kW (69-90)PS	TD1007	543

			
87-783700-00 STD 87-783706-00 0.40mm 87-783708-00 0.60mm A 33.30 B- 2.30 D 72.80  22x63	 	08-783700-00 STD 08-783706-00 0.40mm 08-783708-00 0.60mm 08-783711-00 1.00mm 1.50  CR P 1.75  P 3.00  CR [15]	
[15] Steel	[15] Acier	[15] Acciaio	[15] Acero



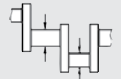
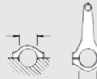





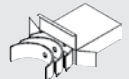
FIAT GROUP

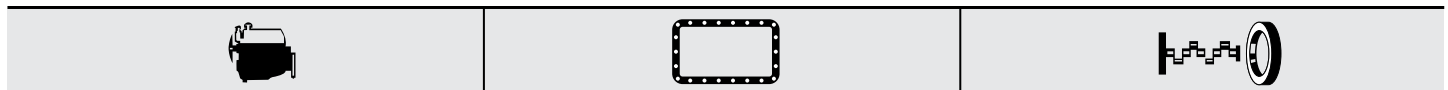
...Continued

1200

 **86.40**



Petrol

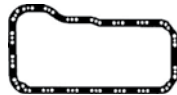
									
BE/PL	4	45.508/45.528	48.629/48.646	19.200	1.547	0.020/0.069	AL-LF	1645RA	01-4127/4 STD 0.25 0.50
MB/HL 1,2,4,5	4	50.780/50.800	54.507/54.520	20.250	1.849	0.020/0.067	AL-LF	1646RA	H1075/5 STD 0.25 0.50
MB/HL 3	1	50.780/50.800	54.507/54.520	22.750	1.849	0.020/0.067	AL-LF	1647RA	
TW/A	2	56.610/56.864	69.596/69.850		2.362		AL-LF	60987AFA	A198/2 STD .005
SE/PB	1	21.539/21.641	23.939/23.972	25.100			BS	62039Y	55-4288 SEMI



 ET400

JJ453

NA5051  40.00x56.00x7.00mm, FPM
NB818  40.00x56.00x7.00mm, ACM



JJ453

1201

 **86.40**

Petrol



159 B9.000



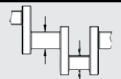
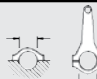





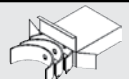
4 Cyl.

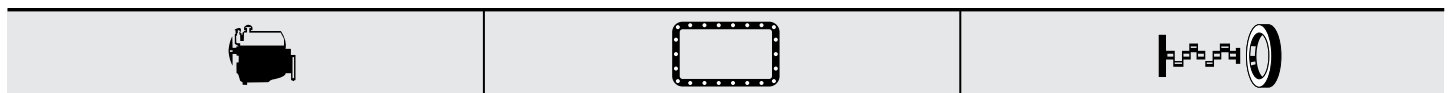
1581cc

66kW (90)PS

TD4598


544

									
BE/PL	4	45.508/45.528	48.629/48.646	19.200	1.547	0.020/0.069	AL-LF	1645RA	01-4127/4 STD 0.25 0.50
MB/HL 1,2,4,5	4	50.780/50.800	54.507/54.520	20.250	1.849	0.020/0.067	AL-LF	1646RA	H1075/5 STD 0.25 0.50
MB/HL 3	1	50.780/50.800	54.507/54.520	22.750	1.849	0.020/0.067	AL-LF	1647RA	
TW/A	2	56.610/56.864	69.596/69.850		2.362		AL-LF	60987AFA	A198/2 STD .005
SE/PB	1	21.539/21.641	23.939/23.972	25.100			BS	62039Y	55-4288 SEMI



 ET400

JJ453

NF887  [19] 64.00x112.50x20.00mm, FPM





JJ453



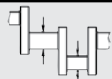








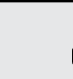

[19] Specification: Oil Seal in housing

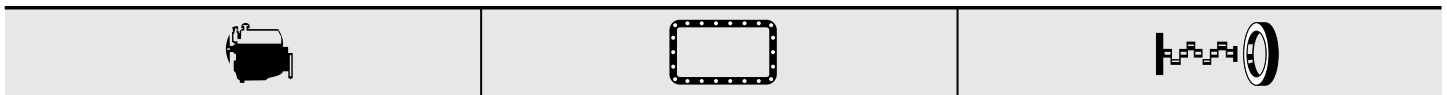
[19] Caractéristiques: Bague d'étanchéité dans son logement

[19] Specifiche: Paraolio in sede

[19] Especificaciones: Retén de aceite de la carcasa



1202  **86.40** **Petrol** 
159 B9.000 4 Cyl. 1581cc **63-66kW (86-90)PS** **TD965** **545**

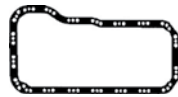
												
BE/PL	4	45.508/45.528	48.629/48.646	19.200	1.547	0.020/0.069	AL-LF	1645RA	01-4127/4 STD 0.25 0.50			
MB/HL 1,2,4,5	4	50.780/50.800	54.507/54.520	20.250	1.849	0.020/0.067	AL-LF	1646RA	H1075/5 STD 0.25 0.50			
MB/HL 3	1	50.780/50.800	54.507/54.520	22.750	1.849	0.020/0.067	AL-LF	1647RA				
TW/A	2	56.610/56.864	69.596/69.850		2.362		AL-LF	60987AFA	A198/2 STD .005			
SE/PB	1	21.539/21.641	23.939/23.972	25.100			BS	62039Y	55-4288 SEMI			





 **ET400**



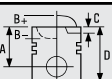


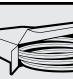



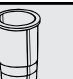






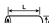
JJ453

NA5051  40.00x56.00x7.00mm, FPM
NA5049  64.00x80.00x8.00mm, ACM



JJ453

1203  **86.40** **Petrol** 
160 A2.000 4 Cyl. 9.2:1 1581cc **58-62kW (79-84)PS** **TD1019** **546**



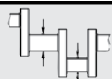








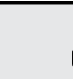

												
87-783700-00	STD				08-783700-00	STD						
87-783706-00	0.40mm				08-783706-00	0.40mm						
87-783708-00	0.60mm				08-783708-00	0.60mm						
					08-783711-00	1.00mm						
A 33.30					1.50		CR P					
B- 2.30					1.75		P					
D 72.80					3.00		CR [15]					
 22x63												

[15] Steel



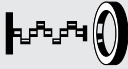




[15] Acier

[15] Acciaio

[15] Acero

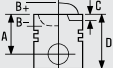
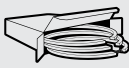

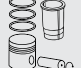

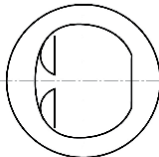



												
BE/PL	4	45.508/45.528	48.629/48.646	19.200	1.547	0.020/0.069	AL-LF	1645RA	01-4127/4 STD 0.25 0.50			
MB/HL 1,2,4,5	4	50.780/50.800	54.507/54.520	20.250	1.849	0.020/0.067	AL-LF	1646RA	H1075/5 STD 0.25 0.50			
MB/HL 3	1	50.780/50.800	54.507/54.520	22.750	1.849	0.020/0.067	AL-LF	1647RA				
TW/A	2	56.610/56.864	69.596/69.850		2.362		AL-LF	60987AFA	A198/2 STD .005			
SE/PB	1	21.539/21.641	23.939/23.972	25.100			BS	62039Y	55-4288 SEMI			

1203  **86.40** **Petrol**



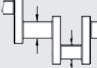







		
ET400	JJ298 (Cork) JJ413   JJ298 JJ413	NA5051  40.00x56.00x7.00mm, FPM NA5049  64.00x80.00x8.00mm, ACM



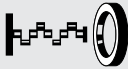
1204  **86.40** **Petrol** 



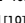
176 A9.000	4 Cyl.	9.5:1	1581cc	65kW (88)PS	TD1039	547
220 A 2.000	4 Cyl.		1581cc	58kW (79)PS	TD6826	558

			
87-783700-00 STD 87-783706-00 0.40mm 87-783708-00 0.60mm A 33.30 B- 2.30 D 72.80  22x63		08-783700-00 STD 08-783706-00 0.40mm 08-783708-00 0.60mm 08-783711-00 1.00mm 1.50  CR P 1.75  P 3.00  CR [15]	

[15] Steel [15] Acier [15] Acciaio [15] Acero

									
BE/PL	4	45.508/45.528	48.629/48.646	19.200	1.547	0.020/0.069	AL-LF	1645RA	01-4127/4 STD 0.25 0.50
MB/HL 1,2,4,5	4	50.780/50.800	54.507/54.520	20.250	1.849	0.020/0.067	AL-LF	1646RA	H1075/5 STD 0.25 0.50
MB/HL 3	1	50.780/50.800	54.507/54.520	22.750	1.849	0.020/0.067	AL-LF	1647RA	
TW/A	2	56.610/56.864	69.596/69.850		2.362		AL-LF	60987AFA	A198/2 STD .005
SE/PB	1	21.539/21.641	23.939/23.972	25.100			BS	62039Y	55-4288 SEMI

ET400  **JJ453**  



ET400	JJ453  JJ453	NB818  40.00x56.00x7.00mm, ACM NF887  [19] 64.00x112.50x20.00mm, FPM
--------------	---	---

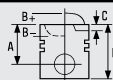
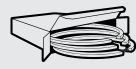


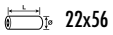
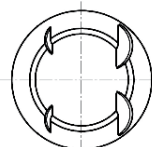
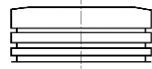



[19] Specification: Oil Seal in housing

[19] Caractéristiques: Bague d'étanchéité dans son logement



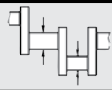
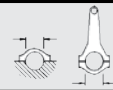





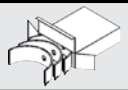
[19] Specifiche: Paraolio in sede



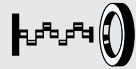



[19] Especificaciones: Retén de aceite de la carcasa

1205  **86.40** **Petrol** 
178 B3.000 4 Cyl. 10.15:1 158lcc **74-78kW (100-106)PS** **TD10187** **548**



			
87-786800-00 STD 87-786806-00 0.40mm	08-786800-00 STD 08-786806-00 0.40mm		
A 34.17 B+ 0.25 D 59.42  22x56	 	1.50  CR P 1.50  P 3.00  CR [15]	



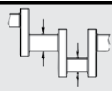
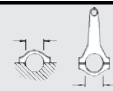


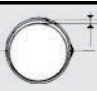


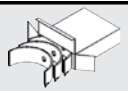
[15] Steel [15] Acier [15] Acciaio [15] Acero



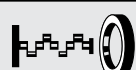



									
BE/PL 4 45.508/45.528 48.629/48.646 19.200 1.547 0.020/0.069 AL-LF 1645RA 01-4127/4 STD 0.25 0.50	MB/HL 1,2,4,5 4 50.780/50.800 54.507/54.520 20.250 1.849 0.020/0.067 AL-LF 1646RA H1075/5 STD 0.25 0.50	MB/HL 3 1 50.780/50.800 54.507/54.520 22.750 1.849 0.020/0.067 AL-LF 1647RA	TW/A 2 56.610/56.864 69.596/69.850 2.362 AL-LF 60987AFA A198/2 STD .005	SE/PB 1 21.539/21.641 23.939/23.972 25.100 BS 62039Y 55-4288 SEMI					

		
ET400	HR397	NA5051  40.00x56.00x7.00mm, FPM NB818  40.00x56.00x7.00mm, ACM NF887  [19] 64.00x112.50x20.00mm, FPM



[19] Specification: Oil Seal in housing [19] Caractéristiques: Bague d'étanchéité dans son logement [19] Specifiche: Paraolio in sede [19] Especificaciones: Retén de aceite de la carcasa

1206  **86.40** **Petrol** 
178 C7.098 4 Cyl. 10.5:1 158lcc **68-76kW (92-103)PS** **TD18896** **549**
182 B5.098 4 Cyl. 10.5:1 158lcc **72kW (98)PS** **TD19060** **554**



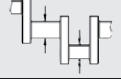







									
BE/PL 4 45.508/45.528 48.629/48.646 19.200 1.547 0.020/0.069 AL-LF 1645RA 01-4127/4 STD 0.25 0.50	MB/HL 1,2,4,5 4 50.780/50.800 54.507/54.520 20.250 1.849 0.020/0.067 AL-LF 1646RA H1075/5 STD 0.25 0.50	MB/HL 3 1 50.780/50.800 54.507/54.520 22.750 1.849 0.020/0.067 AL-LF 1647RA	TW/A 2 56.610/56.864 69.596/69.850 2.362 AL-LF 60987AFA A198/2 STD .005	SE/PB 1 21.539/21.641 23.939/23.972 25.100 BS 62039Y 55-4288 SEMI					



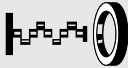


		
EB5150	HR397	NA5051  40.00x56.00x7.00mm, FPM NB818  40.00x56.00x7.00mm, ACM NF887  [19] 64.00x112.50x20.00mm, FPM



[19] Specification: Oil Seal in housing [19] Caractéristiques: Bague d'étanchéité dans son logement [19] Specifiche: Paraolio in sede [19] Especificaciones: Retén de aceite de la carcasa

1207  **86.40** **Petrol** 

178 D2.011 4 Cyl. 10.5:1 1581cc **68-76kW (92-103)PS** **TD18897** **550**

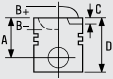

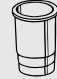

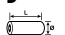
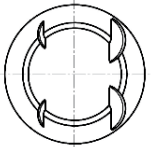




									
BE/PL	4	45.508/45.528	48.629/48.646	19.200	1.547	0.020/0.069	AL-LF	1645RA	01-4127/4 STD 0.25 0.50
MB/HL 1,2,4,5	4	50.780/50.800	54.507/54.520	20.250	1.849	0.020/0.067	AL-LF	1646RA	H1075/5 STD 0.25 0.50
MB/HL 3	1	50.780/50.800	54.507/54.520	22.750	1.849	0.020/0.067	AL-LF	1647RA	
TW/A	2	56.610/56.864	69.596/69.850		2.362		AL-LF	60987AFA	A198/2 STD .005
SE/PB	1	21.539/21.641	23.939/23.972	25.100			BS	62039Y	55-4288 SEMI




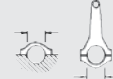






		
EB5150	HR397	NA5051  40.00x56.00x7.00mm, FPM NB818  40.00x56.00x7.00mm, ACM

1208  **86.40** **Petrol** 

182 A4.000 4 Cyl. 10.5:1 1581cc **76kW (103)PS** **TD4400** **551**








185 A3.000 Euro 3 (D3) 4 Cyl. 10.1:1 1581cc **68-76kW (92-103)PS** **TD15650** **555**



			
87-786800-00 STD 87-786806-00 0.40mm	08-786800-00 STD 08-786806-00 0.40mm		
A 34.17 B+ 0.25 D 59.42  22x56	 	1.50  CR P 1.50  P 3.00  CR [15]	
[15] Steel	[15] Acier	[15] Acciaio	[15] Acero

									
BE/PL	4	45.508/45.528	48.629/48.646	19.200	1.547	0.020/0.069	AL-LF	1645RA	01-4127/4 STD 0.25 0.50
MB/HL 1,2,4,5	4	50.780/50.800	54.507/54.520	20.250	1.849	0.020/0.067	AL-LF	1646RA	H1075/5 STD 0.25 0.50
MB/HL 3	1	50.780/50.800	54.507/54.520	22.750	1.849	0.020/0.067	AL-LF	1647RA	
TW/A	2	56.610/56.864	69.596/69.850		2.362		AL-LF	60987AFA	A198/2 STD .005
SE/PB	1	21.539/21.641	23.939/23.972	25.100			BS	62039Y	55-4288 SEMI

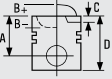

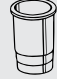

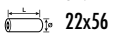
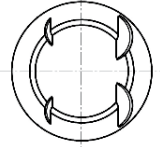




...Continued



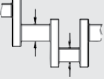







1208  **86.40** **Petrol**






		
EB5150	JJ453	NA5051  40.00x56.00x7.00mm, FPM NB818  40.00x56.00x7.00mm, ACM NF887  [19] 64.00x112.50x20.00mm, FPM
		
	JJ453	
[19] Specification: Oil Seal in housing	[19] Caractéristiques: Bague d'étanchéité dans son logement	[19] Specifiche: Paraolio in sede
		[19] Especificaciones: Retén de aceite de la carcasa

1209  **86.40** **Petrol** 

182 A4.000	4 Cyl.	10.2:1	1581cc	76kW (103)PS	TD9476	552
182 A6.000	4 Cyl.	10.1:1	1581cc	66kW (90)PS	TD9475	552

			
87-786800-00 STD 87-786806-00 0.40mm	08-786800-00 STD 08-786806-00 0.40mm		
A 34.17 B+ 0.25 D 59.42  22x56	 	1.50  CR P 1.50  P 3.00  CR [15]	
[15] Steel	[15] Acier	[15] Acciaio	[15] Acero

									
BE/PL	4	45.508/45.528	48.629/48.646	19.200	1.547	0.020/0.069	AL-LF	1645RA	01-4127/4 STD 0.25 0.50
MB/HL 1,2,4,5	4	50.780/50.800	54.507/54.520	20.250	1.849	0.020/0.067	AL-LF	1646RA	H1075/5 STD 0.25 0.50
MB/HL 3	1	50.780/50.800	54.507/54.520	22.750	1.849	0.020/0.067	AL-LF	1647RA	
TW/A	2	56.610/56.864	69.596/69.850		2.362		AL-LF	60987AFA	A198/2 STD .005
SE/PB	1	21.539/21.641	23.939/23.972	25.100			BS	62039Y	55-4288 SEMI

		
	HR397	NB818  40.00x56.00x7.00mm, ACM NF887  [19] 64.00x112.50x20.00mm, FPM
[19] Specification: Oil Seal in housing	[19] Caractéristiques: Bague d'étanchéité dans son logement	[19] Specifiche: Paraolio in sede
		[19] Especificaciones: Retén de aceite de la carcasa

FIAT GROUP

1210

 86.40

Petrol



182 A6.000

4 Cyl.

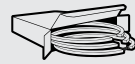
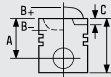
10.1:1

1581cc

66kW (90)PS

TD4402

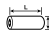
553

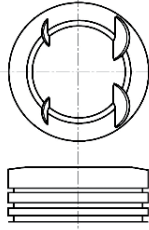


87-786800-00 STD
87-786806-00 0.40mm

STD
0.40mm

08-786800-00 STD
08-786806-00 0.40mm

A 34.17
B+ 0.25
D 59.42
 22x56





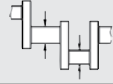
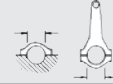





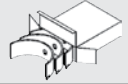
1.50  CR P
1.50  P
3.00  CR [15]

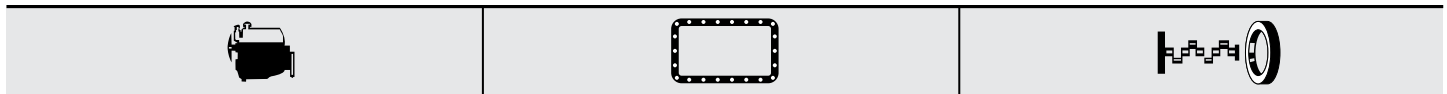
[15] Steel

[15] Acier

[15] Acciaio

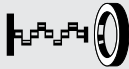

[15] Acero

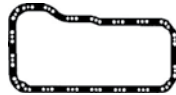
									
BE/PL	4	45.508/45.528	48.629/48.646	19.200	1.547	0.020/0.069	AL-LF	1645RA	01-4127/4 STD 0.25 0.50
MB/HL 1,2,4,5	4	50.780/50.800	54.507/54.520	20.250	1.849	0.020/0.067	AL-LF	1646RA	H1075/5 STD 0.25 0.50
MB/HL 3	1	50.780/50.800	54.507/54.520	22.750	1.849	0.020/0.067	AL-LF	1647RA	
TW/A	2	56.610/56.864	69.596/69.850		2.362		AL-LF	60987AFA	A198/2 STD .005
SE/PB	1	21.539/21.641	23.939/23.972	25.100			BS	62039Y	55-4288 SEMI



 EB5150

JJ453

NB818  40.00x56.00x7.00mm, ACM
NF887  [19] 64.00x112.50x20.00mm, FPM



JJ453

[19] Specification: Oil Seal in housing

[19] Caractéristiques: Bague d'étanchéité dans son logement

[19] Specifiche: Paraolio in sede

[19] Especificaciones: Retén de aceite de la carcasa

1211

 86.40

LPG



186 A3.000

4 Cyl.



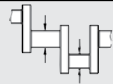
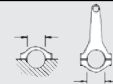





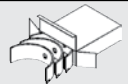
12.5:1

1581cc

70kW (95)PS

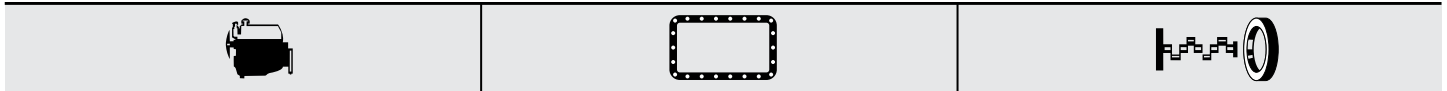
TD11787

556




									
BE/PL	4	45.508/45.528	48.629/48.646	19.200	1.547	0.020/0.069	AL-LF	1645RA	01-4127/4 STD 0.25 0.50
MB/HL 1,2,4,5	4	50.780/50.800	54.507/54.520	20.250	1.849	0.020/0.067	AL-LF	1646RA	H1075/5 STD 0.25 0.50
MB/HL 3	1	50.780/50.800	54.507/54.520	22.750	1.849	0.020/0.067	AL-LF	1647RA	
TW/A	2	56.610/56.864	69.596/69.850		2.362		AL-LF	60987AFA	A198/2 STD .005
SE/PB	1	21.539/21.641	23.939/23.972	25.100			BS	62039Y	55-4288 SEMI

...Continued

1211  **86.40** **LPG**



JJ453

NA5051  40.00x56.00x7.00mm, FPM
NB818  40.00x56.00x7.00mm, ACM
NF887  [19] 64.00x112.50x20.00mm, FPM





JJ453

[19] Specification: Oil Seal in housing



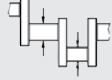
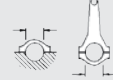






[19] Caractéristiques: Bague d'étanchéité dans son logement

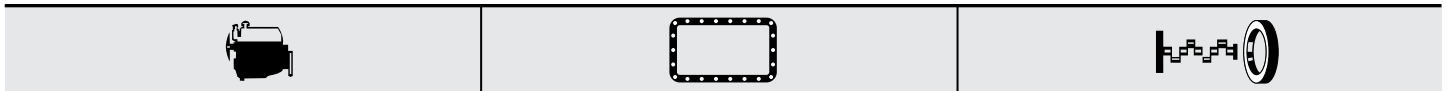
[19] Specifiche: Paraolio in sede

[19] Especificaciones: Retén de aceite de la carcasa

1212  **86.40** **Petrol** 




186 A4.000 4 Cyl. 10.5:1 1581cc **68-76kW (92-103)PS** **TD11788** **557**

									
BE/PL	4	45.508/45.528	48.629/48.646	19.200	1.547	0.020/0.069	AL-LF	1645RA	01-4127/4 STD 0.25 0.50
MB/HL 1,2,4,5	4	50.780/50.800	54.507/54.520	20.250	1.849	0.020/0.067	AL-LF	1646RA	H1075/5 STD 0.25 0.50
MB/HL 3	1	50.780/50.800	54.507/54.520	22.750	1.849	0.020/0.067	AL-LF	1647RA	
TW/A	2	56.610/56.864	69.596/69.850		2.362		AL-LF	60987AFA	A198/2 STD .005
SE/PB	1	21.539/21.641	23.939/23.972	25.100			BS	62039Y	55-4288 SEMI



 EB5150

JJ453

NA5051  40.00x56.00x7.00mm, FPM
NB818  40.00x56.00x7.00mm, ACM
NF887  [19] 64.00x112.50x20.00mm, FPM





JJ453

[19] Specification: Oil Seal in housing

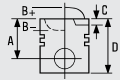
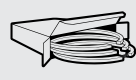
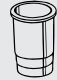





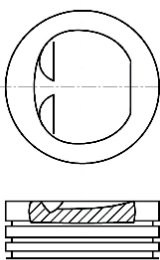
[19] Caractéristiques: Bague d'étanchéité dans son logement

[19] Specifiche: Paraolio in sede

[19] Especificaciones: Retén de aceite de la carcasa

1213  **86.40** **Petrol** 

835 A1.000 4 Cyl. 9.2:1 1581cc **65-66kW (88-90)PS** **TD1842** **559**

			
87-783700-00 STD	08-783700-00 STD		
87-783706-00 0.40mm	08-783706-00 0.40mm		
87-783708-00 0.60mm	08-783708-00 0.60mm		
	08-783711-00 1.00mm		
A 33.30	1.50  CR P		
B- 2.30	1.75  P		
D 72.80	3.00  CR [15]		
 22x63			



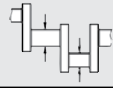
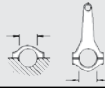


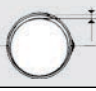
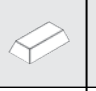
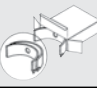
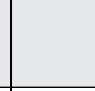
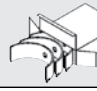
[15] Steel

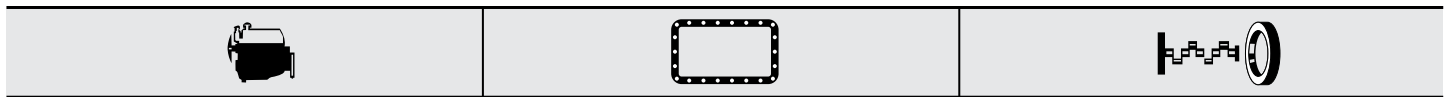
[15] Acier

[15] Acciaio

[15] Acero

1213 86.40 Petrol

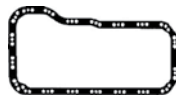
										
BE/PL	4	45.508/45.528	48.629/48.646	19.200	1.547	0.020/0.069	AL-LF	1645RA	01-4127/4 STD 0.25 0.50	
MB/HL 1,2,4,5	4	50.780/50.800	54.507/54.520	20.250	1.849	0.020/0.067	AL-LF	1646RA	H1075/5 STD 0.25 0.50	
MB/HL 3	1	50.780/50.800	54.507/54.520	22.750	1.849	0.020/0.067	AL-LF	1647RA		
TW/A	2	56.610/56.864	69.596/69.850		2.362		AL-LF	60987AFA	A198/2 STD .005	
SE/PB	1	21.539/21.641	23.939/23.972	25.100			BS	62039Y	55-4288 SEMI	



 ET400

JJ453

NF887  [19] 64.00x112.50x20.00mm, FPM



JJ453

[19] Specification: Oil Seal in housing

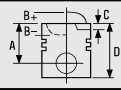
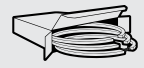
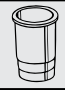
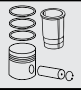
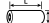



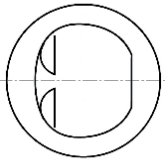

[19] Caractéristiques: Bague d'étanchéité dans son logement

[19] Specifiche: Paraolio in sede

[19] Especificaciones: Retén de aceite de la carcasa

1214 86.40 Petrol

835 A1.046	4 Cyl.	9.2:1	1581cc	57kW (77)PS	TD1843	560
835 C1.000	4 Cyl.	9.2:1	1581cc	55kW (75)PS	TD4611	561

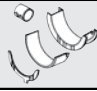

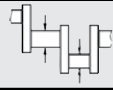
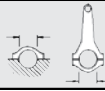


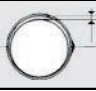
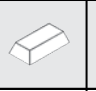
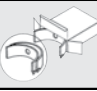

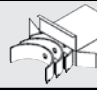
			
<p>87-783700-00 STD</p> <p>87-783706-00 0.40mm</p> <p>87-783708-00 0.60mm</p> <p>A 33.30</p> <p>B- 2.30</p> <p>D 72.80</p> <p> 22x63</p>	<p>08-783700-00 STD</p> <p>08-783706-00 0.40mm</p> <p>08-783708-00 0.60mm</p> <p>08-783711-00 1.00mm</p> <p>1.50  CR P</p> <p>1.75  P</p> <p>3.00  CR [15]</p>		
			

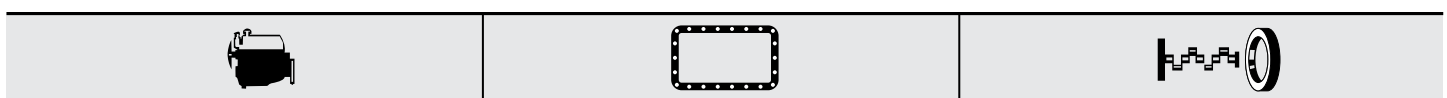
[15] Steel

[15] Acier

[15] Acciaio

[15] Acero



										
BE/PL	4	45.508/45.528	48.629/48.646	19.200	1.547	0.020/0.069	AL-LF	1645RA	01-4127/4 STD 0.25 0.50	
MB/HL 1,2,4,5	4	50.780/50.800	54.507/54.520	20.250	1.849	0.020/0.067	AL-LF	1646RA	H1075/5 STD 0.25 0.50	
MB/HL 3	1	50.780/50.800	54.507/54.520	22.750	1.849	0.020/0.067	AL-LF	1647RA		
TW/A	2	56.610/56.864	69.596/69.850		2.362		AL-LF	60987AFA	A198/2 STD .005	
SE/PB	1	21.539/21.641	23.939/23.972	25.100			BS	62039Y	55-4288 SEMI	

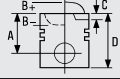
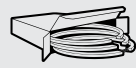
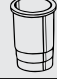

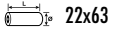
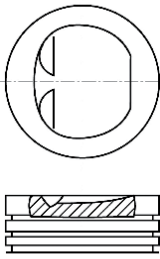





 ET400



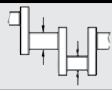
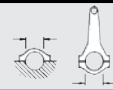





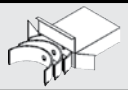
JJ453






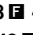
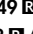
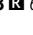
NF887  [19] 64.00x112.50x20.00mm, FPM



1215  **86.40** **Petrol** 
835 C1.000 4 Cyl. 9.2:1 1581cc **55-57kW (75-78)PS** **TD1067** **562**

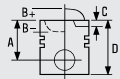
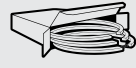
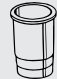
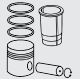



			
87-783700-00 STD 87-783706-00 0.40mm 87-783708-00 0.60mm A 33.30 B- 2.30 D 72.80  22x63	 08-783700-00 STD 08-783706-00 0.40mm 08-783708-00 0.60mm 08-783711-00 1.00mm 1.50  CR P 1.75  P 3.00  CR [15]		

[15] Steel [15] Acier [15] Acciaio [15] Acero

									
BE/PL	4	45.508/45.528	48.629/48.646	19.200	1.547	0.020/0.069	AL-LF	1645RA	01-4127/4 STD 0.25 0.50
MB/HL 1,2,4,5	4	50.780/50.800	54.507/54.520	20.250	1.849	0.020/0.067	AL-LF	1646RA	H1075/5 STD 0.25 0.50
MB/HL 3	1	50.780/50.800	54.507/54.520	22.750	1.849	0.020/0.067	AL-LF	1647RA	
TW/A	2	56.610/56.864	69.596/69.850		2.362		AL-LF	60987AFA	A198/2 STD .005
SE/PB	1	21.539/21.641	23.939/23.972	25.100			BS	62039Y	55-4288 SEMI

		
ET400	JJ453  JJ453	NA5051  40.00x56.00x7.00mm, FPM NB818  40.00x56.00x7.00mm, ACM NA5049  64.00x80.00x8.00mm, ACM NB808  64.00x80.00x8.00mm, FPM

1216  **87.00** **Petrol** 
AR 30550 4 Cyl. 9.5:1 1712cc **84-95kW (114-129)PS** **TD4186** **563**



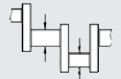
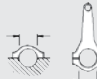





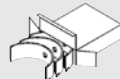
			
	08-110300-00 STD 1.50  CR P 1.75  P 3.00  CR [15]		

[15] Steel [15] Acier [15] Acciaio [15] Acero

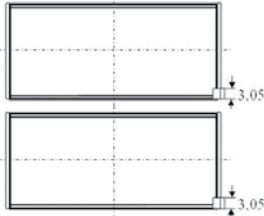
FIAT GROUP

...Continued

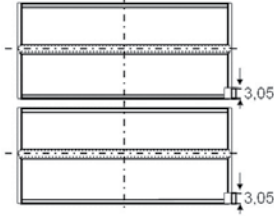
1216 87.00 Petrol

									
BE/PL	4	49.984/50.000	53.696/53.708	17.800	1.836	0.024/0.077	AL-LF	66325RA	01-4178/4 STD 0.25 0.50
BE/PL	4	49.992/50.000	53.696/53.708	17.800	1.836	0.024/0.069	AL-LF	66625RA	01-4188/4 STD 0.25 0.50

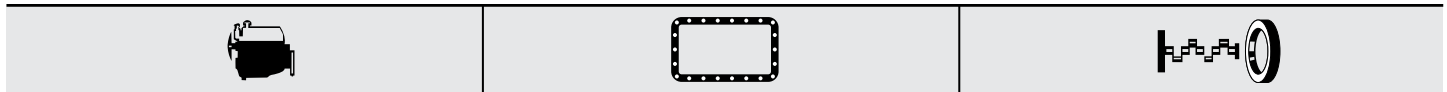
66325RA



66625RA




MB/HL 1-3	3	59.944/59.957	63.663/63.673	23.400	1.841	0.024/0.072	AL-LF	66326RA	H1044/3 STD 0.25 0.50
TW/A	2	65.790/66.040	82.420/82.680		2.362		BS	66326AF	A205/2 STD
SE/PB	1	20.996/21.000	23.005/23.020	23.500			BS	66329Y	55-4505 SEMI



JH565

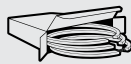
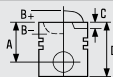
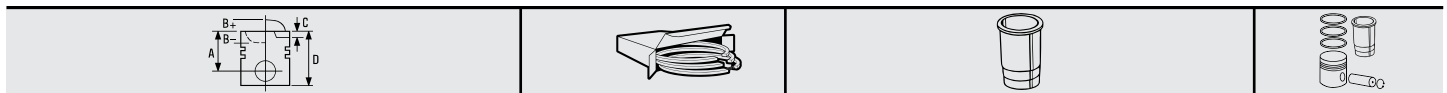


JH565




NA5063  40.00x56.00x10.00mm, ACM

1217 87.00 Petrol

AR 30558	4 Cyl.	1712cc	77kW (105)PS	TD93	564
AR 30736	4 Cyl.	1712cc	79kW (107)PS	TD109	565
AR 30737	4 Cyl.	1712cc	77-79kW (105-107)PS	TD110	565



08-110300-00 STD

1.50		CR P
1.75		P
3.00		CR [15]

[15] Steel



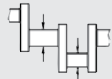
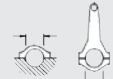





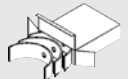
[15] Acier

[15] Acciaio

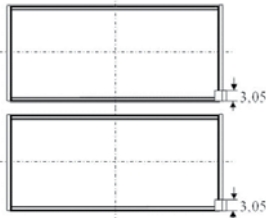
[15] Acero

...Continued

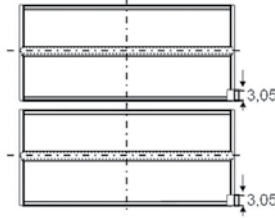
1217  **87.00** **Petrol**

									
BE/PL	4	49.984/50.000	53.696/53.708	17.800	1.836	0.024/0.077	AL-LF	66325RA	01-4178/4 STD 0.25 0.50
BE/PL	4	49.992/50.000	53.696/53.708	17.800	1.836	0.024/0.069	AL-LF	66625RA	01-4188/4 STD 0.25 0.50







66325RA





66625RA



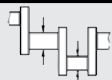
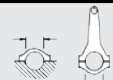





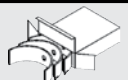


MB/HL 1-3	3	59.944/59.957	63.663/63.673	23.400	1.841	0.024/0.072	AL-LF	66326RA	H1044/3 STD 0.25 0.50
TW/A	2	65.790/66.040	82.420/82.680		2.362		BS	66326AF	A205/2 STD
SE/PB	1	20.996/21.000	23.005/23.020	23.500			BS	66329Y	55-4505 SEMI

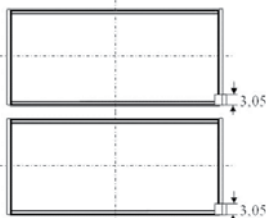
		
	JH565	NA5063  40.00x56.00x10.00mm, ACM NA5065  62.00x80.00x12.00mm, ACM
		
	JH565	

1218  **87.00** **Petrol** 

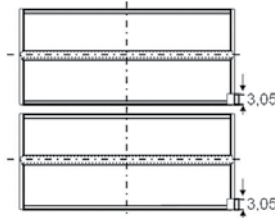
AR 30578 4 Cyl. 9.5:1 1712cc 79kW (107)PS TD95

									
BE/PL	4	49.984/50.000	53.696/53.708	17.800	1.836	0.024/0.077	AL-LF	66325RA	01-4178/4 STD 0.25 0.50
BE/PL	4	49.992/50.000	53.696/53.708	17.800	1.836	0.024/0.069	AL-LF	66625RA	01-4188/4 STD 0.25 0.50

66325RA



66625RA



MB/HL 1-3	3	59.944/59.957	63.663/63.673	23.400	1.841	0.024/0.072	AL-LF	66326RA	H1044/3 STD 0.25 0.50
TW/A	2	65.790/66.040	82.420/82.680		2.362		BS	66326AF	A205/2 STD
SE/PB	1	20.996/21.000	23.005/23.020	23.500			BS	66329Y	55-4505 SEMI

FIAT GROUP

1219

87.00

Petrol



AR 30737 A

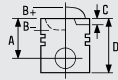
4 Cyl.

1712cc

77-79kW (105-107)PS

TD111

566



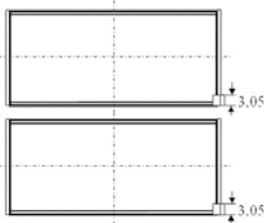
08-110300-00 STD

1.50 CR P
 1.75 P
 3.00 CR [15]

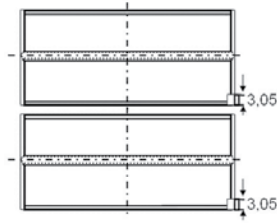
[15] Steel [15] Acier [15] Acciaio [15] Acero

BE/PL	4	49.984/50.000	53.696/53.708	17.800	1.836	0.024/0.077	AL-LF	66325RA	01-4178/4 STD 0.25 0.50
BE/PL	4	49.992/50.000	53.696/53.708	17.800	1.836	0.024/0.069	AL-LF	66625RA	01-4188/4 STD 0.25 0.50

66325RA



66625RA



MB/HL 1-3	3	59.944/59.957	63.663/63.673	23.400	1.841	0.024/0.072	AL-LF	66326RA	H1044/3 STD 0.25 0.50
TW/A	2	65.790/66.040	82.420/82.680		2.362		BS	66326AF	A205/2 STD
SE/PB	1	20.996/21.000	23.005/23.020	23.500			BS	66329Y	55-4505 SEMI

1220

87.00

Petrol



AR 30740

4 Cyl.

1712cc

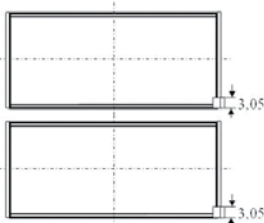
77kW (105)PS

TD112

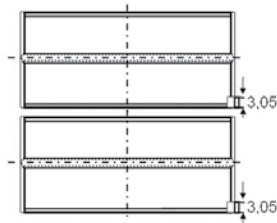
567

BE/PL	4	49.984/50.000	53.696/53.708	17.800	1.836	0.024/0.077	AL-LF	66325RA	01-4178/4 STD 0.25 0.50
BE/PL	4	49.992/50.000	53.696/53.708	17.800	1.836	0.024/0.069	AL-LF	66625RA	01-4188/4 STD 0.25 0.50

66325RA












66625RA

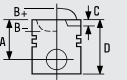










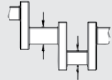






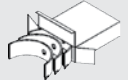
MB/HL 1-3	3	59.944/59.957	63.663/63.673	23.400	1.841	0.024/0.072	AL-LF	66326RA	H1044/3 STD 0.25 0.50
TW/A	2	65.790/66.040	82.420/82.680		2.362		BS	66326AF	A205/2 STD
SE/PB	1	20.996/21.000	23.005/23.020	23.500			BS	66329Y	55-4505 SEMI







...Continued



1220	 87.00	Petrol
		
	JH565	NA5063  40.00x56.00x10.00mm, ACM NA5065  62.00x80.00x12.00mm, ACM
		
	JH565	





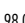
1221	 87.00	Petrol		
AR 30746	4 Cyl.	1712cc	101kW (137)PS	TD114 568
AR 30747	4 Cyl.	1712cc	95-97kW (129-132)PS	TD115 568
AR 33401	4 Cyl.	1712cc	95kW (129)PS	TD122 569

			
	08-110300-00 STD 1.50  CR P 1.75  P 3.00  CR [15]		
[15] Steel	[15] Acier	[15] Acciaio	[15] Acero

									
BE/PL	4	49.984/50.000	53.696/53.708	17.800	1.836	0.024/0.077	BS	4075CP	71-4250/4 STD 0.25 0.50
MB/HL 1-3	3	59.944/59.964	63.663/63.673	23.400	1.842	0.020/0.070	BS	4076CP	H1081/3 STD 0.25
TW/A	2	65.790/66.040	82.420/82.680		2.362		BS	66326AF	A205/2 STD
SE/PB	1	20.996/21.000	23.005/23.020	23.500			BS	66329Y	55-4505 SEMI

		
	JH565	NA5063  40.00x56.00x10.00mm, ACM NA5065  62.00x80.00x12.00mm, ACM
		
	JH565	

1222	 87.00	Petrol			
ES9 J4S	6 Cyl.	10.9:1	2946cc	150kW (204)PS	TD17397 570

		
	HR397	NA5260  38.00x50.00x6.00mm, FPM NF867  98.00x120.00x7.00mm, FPM/ACM

FIAT GROUP

1223	87.00	Petrol	
XFW	6 Cyl.	10.9:1	2946cc
			150-152kW (204-207)PS
			TD18310 572
	HR397	NA5177 42.00x56.00x7.00mm, FPM	NF867 98.00x120.00x7.00mm, FPM/ACM

1224	88.00	Petrol	
170 B	4 Cyl.	1971cc	55kW (75)PS
170 D	4 Cyl.	1971cc	62kW (84)PS
	08-316900-00 STD 08-316907-00 0.50mm	14-636500-00 WH B 93.00 C 135.70 D 101.90 E 89.99	
	1.50 CR P 2.00 P 4.00 CR [15]		
[15] Steel	[15] Acier	[15] Acciaio	[15] Acero

BE/PL	4	49.975/49.991	53.655/53.674	23.400	1.818	0.030/0.080	AL-LF	2865RA	01-4558/4 STD 0.30 0.50 0.80 1.00
MB/HL 1	1	59.401/59.416	63.227/63.246	29.500	1.888	0.040/0.080	AL-LF	2866RA	H1240/5 STD 0.30 0.50 0.80
MB/HL 2	1	58.548/58.573	62.384/62.403	21.500	1.888	0.040/0.080	AL-LF	61902RA	
MB/HL 3	1	57.174/57.189	61.000/61.019	29.500	1.888	0.040/0.080	AL-LF	61903RA	
MB/HL 4	1	56.140/56.165	59.976/59.995	21.500	1.888	0.040/0.080	AL-LF	61903RAA	
MB/HL 5	1	54.905/54.920	58.731/58.750	29.350	1.888	0.040/0.080	AL-LF	61904RA	
→12/80									
MB/HL 5	1	54.905/54.920	58.731/58.750	29.350	1.900	0.040/0.080	AL-LF	66696RA	H1241/5 STD 0.30 0.50 0.80
MB/HL 4	1	56.140/56.165	59.976/59.995	21.500	1.900	0.040/0.080	AL-LF	66697RA	
MB/HL 3	1	57.174/57.189	61.000/61.019	29.500	1.900	0.040/0.080	AL-LF	66698RA	
MB/HL 2	1	58.548/58.573	62.384/62.403	21.500	1.900	0.040/0.080	AL-LF	66699RA	
MB/HL 1	1	59.401/59.416	63.227/63.246	29.500	1.900	0.040/0.080	AL-LF	66699RAA	
01/81→									
TW/A	4	61.400/61.650	72.550/72.800		2.330		AL-LF	619048F	A199/4 STD 0.10 0.15 0.20
SE/PB	1	22.700/22.850	24.350/24.383	27.000			BS	2514X	55-4134 SEMI

...Continued

1224	88.00	Petrol
NA5191 42.00x62.00x7.00mm, PTFE		

1225	88.00	Petrol	
XN 1T	4 Cyl.	8:1	1971cc
58-60kW (79-82)PS			
			TD4418 576

<p>[12]</p> <p>A 38.25</p> <p>B+ 0.65</p> <p>D 71.85</p> <p> 23x74</p>	<p>08-316900-00 STD</p> <p>08-316907-00 0.50mm</p> <p>1.50 CR P</p> <p>2.00 P</p> <p>4.00 CR [15]</p>	<p>14-636500-00 WH</p> <p>B 93.00 C 135.70 D 101.90 E 89.99</p>	<p>89-316900-00</p>	<p>89-316900-10</p>
<p>[12]</p> <p>A 37.90</p> <p>B+ 1.35</p> <p>D 72.20</p> <p> 23x74</p>	<p>08-316900-00 STD</p> <p>08-316907-00 0.50mm</p> <p>1.50 CR P</p> <p>2.00 P</p> <p>4.00 CR [15]</p>	<p>14-636500-00 WH</p> <p>B 93.00 C 135.70 D 101.90 E 89.99</p>	<p>89-316900-10</p>	<p>89-316900-10</p>

[12] Piston available in Kit Set only

[12] Chemise disponible en kit seulement

[12] I pistoni sono disponibili solo in kit motore

[12] Pistón disponible en conjuntos solamente.

[15] Steel

[15] Acier



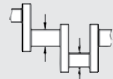
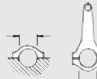






[15] Acciaio




[15] Acero



BE/PL	4	49.975/49.991	53.655/53.674	23.400	1.818	0.030/0.080	AL-LF	2865RA	01-4558/4 STD 0.30 0.50 0.80 1.00 H1240/5 STD 0.30 0.50 0.80	
MB/HL 1	1	59.401/59.416	63.227/63.246	29.500	1.888	0.040/0.080	AL-LF	2866RA		
MB/HL 2	1	58.548/58.573	62.384/62.403	21.500	1.888	0.040/0.080	AL-LF	61902RA		
MB/HL 3	1	57.174/57.189	61.000/61.019	29.500	1.888	0.040/0.080	AL-LF	61903RA		
MB/HL 4	1	56.140/56.165	59.976/59.995	21.500	1.888	0.040/0.080	AL-LF	61903RAA		
MB/HL 5	1	54.905/54.920	58.731/58.750	29.350	1.888	0.040/0.080	AL-LF	61904RA		

→12/80



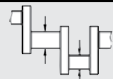
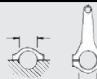






1225  **88.00** **Petrol**

									
MB/HL 5	1	54.905/54.920	58.731/58.750	29.350	1.900	0.040/0.080	AL-LF	66696RA	H1241/5 STD 0.30 0.50 0.80
MB/HL 4	1	56.140/56.165	59.976/59.995	21.500	1.900	0.040/0.080	AL-LF	66697RA	
MB/HL 3	1	57.174/57.189	61.000/61.019	29.500	1.900	0.040/0.080	AL-LF	66698RA	
MB/HL 2	1	58.548/58.573	62.384/62.403	21.500	1.900	0.040/0.080	AL-LF	66699RA	
MB/HL 1	1	59.401/59.416	63.227/63.246	29.500	1.900	0.040/0.080	AL-LF	66699RAA	
01/81 →									
TW/A	4	61.400/61.650	72.550/72.800		2.330		AL-LF	61904BF	A199/4 STD 0.10 0.15 0.20
SE/PB	1	22.700/22.850	24.350/24.383	27.000			BS	2514X	55-4134 SEMI

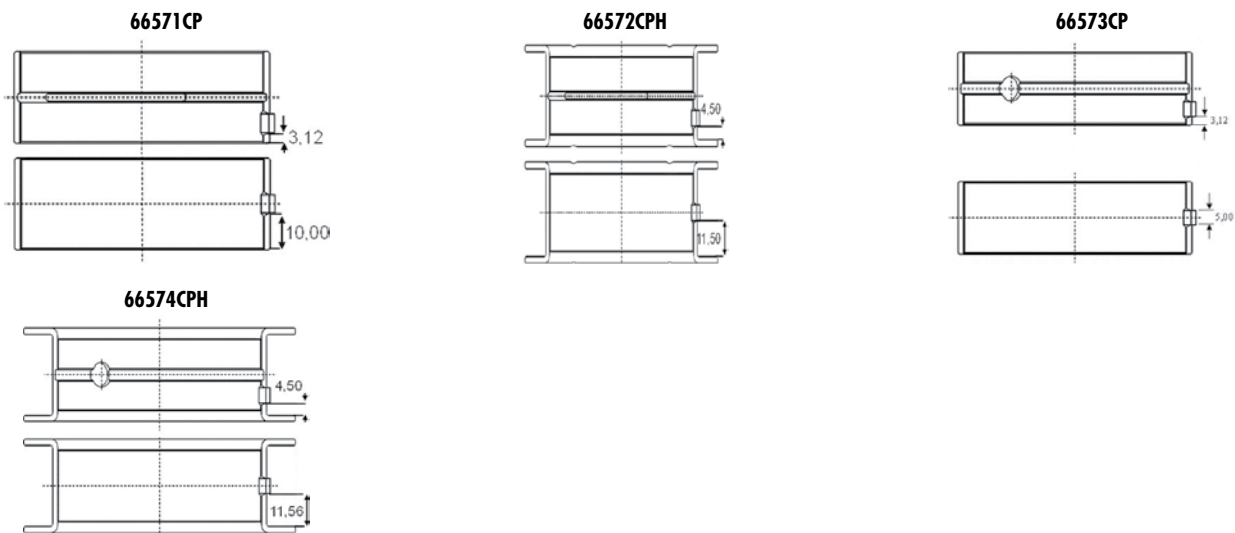
		
EM531	PA349 22.00x16.00x2.000mm	NA5191 42.00x62.00x7.00mm, PTFE NA5192 90.00x110.00x7.00mm, PTFE



1226  **88.00** **Diesel** 



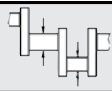
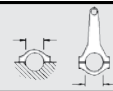





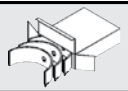
8144.65 4 Cyl. 22.1:1 1995cc **44kW (60)PS** **TD1055** **577**



									
MB/HL 1-4	4	76.187/76.200	80.586/80.607	24.990	2.172	0.042/0.100	BS	66571CP	H1049/5 STD 0.25 0.50 0.75
MB/HL 5	1	76.187/76.200	80.586/80.607	31.950	2.172	0.042/0.100	BS	66572CPH	
Mot. → 1846776									
MB/HL 1-4	4	76.187/76.200	80.586/80.607	24.990	2.172	0.038/0.097	BS	66573CP	H1094/5 STD 0.25
MB/HL 5	1	76.187/76.200	80.586/80.607	31.950	2.172	0.038/0.097	BS	66574CPH	

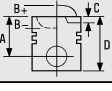
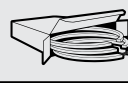

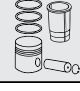



Mot. 1846777 →



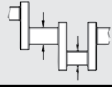
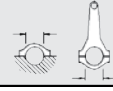


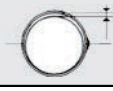

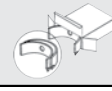
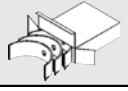




1227	 88.00	Diesel					
VM 4 HT	4 Cyl.	22:1	1995cc	61kW (83)PS	Turbocharged	TD150	578
VM 5 HT	5 Cyl.	22:1	2494cc	77kW (105)PS	Turbocharged	TD10148	

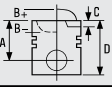
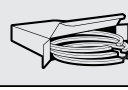
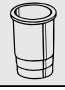




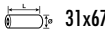
									
BE/PL	1	53.940/53.955	57.563/57.582	23.250	1.798	0.020/0.071	BS	66655CP	71-4234 STD 0.25 0.50 0.75
TW/A	2	74.250/74.500	88.000/88.100		2.362		AL-LF	61588AF	A227/2 STD
SE/PB	1	29.990/29.996	34.000/34.025	30.120			BS	66659XA	55-4235 SEMI

1228	 88.00	Diesel					
VM 80 A	4 Cyl.	22:1	1995cc	70kW (95)PS	Turbocharged	TD151	579
VM4HT/2	4 Cyl.		1995cc	60kW (82)PS	Turbocharged	TD160	579
VM-HR 588 HT	5 Cyl.	22:1	2493cc	76-77kW (103-105)PS	Turbocharged	TD158	604



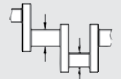
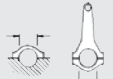






			
	08-110000-00 STD		
	2.50  CR P		
	2.00  P		
	4.00  CR P		



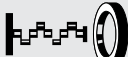
									
BE/PL	1	53.940/53.955	57.563/57.582	23.250	1.798	0.020/0.071	BS	66655CP	71-4234 STD 0.25 0.50 0.75
TW/A	2	74.250/74.500	88.000/88.100		2.362		AL-LF	61588AF	A227/2 STD
SE/PB	1	29.990/29.996	34.000/34.025	30.120			BS	66659XA	55-4235 SEMI

1229	 88.00	Diesel						
F1AE0481A Euro 3 (D3)	4 Cyl.		2287cc	70kW (95)PS			TD17144	582
F1AE0481B Euro 3 (D3)	4 Cyl.		2287cc	85kW (116)PS			TD17145	583
F1AE0481C	4 Cyl.	18.5:1	2286cc	81kW (110)PS	Turbo Intercooled		TD16407	580


			
87-138000-00 STD	08-138000-00 STD		
87-138006-00 0.40mm	08-138006-00 0.40mm		
87-138008-00 0.60mm	08-138008-00 0.60mm		
A 57.00	2.50  CK P		
B- 18.18	2.00  P		
BØ 38.00	2.50  CR P		
D 84.00			
 31x67			
AK RT TP			

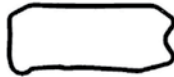
1229  **88.00** **Diesel**

									
BE/PL	4	59.015/59.038	62.833/62.848	23.750	1.884	0.027/0.065	BS	71-4080	71-4080/4 STD 0.25 0.50
MB/HL 1-4	4	71.182/71.208	75.588/75.614	27.000	2.174	0.032/0.084	AL-LF	02-4083	H1020/5 STD 0.25 0.50
MB/HL 1,2,4	3	71.182/71.208	75.588/75.614	27.000	2.174	0.032/0.084	AL-LF	02-4084	
MB/HL 3	1	71.182/71.208	75.588/75.614	27.000	2.174	0.032/0.084	AL-LF	02-4085H	
MB/HL 5	1	76.182/76.208	80.588/80.614	27.000	2.174	0.032/0.084	AL-LF	02-4086L	
MB/HL 5	1	76.182/76.208	80.588/80.614	27.000	2.174	0.032/0.084	AL-LF	02-4086U	

		
---	---	---

JH5077
(Elastomer)

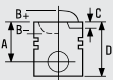






NA5202  50.0x80.0x14.0mm, FPM





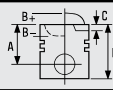
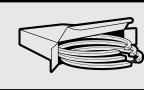
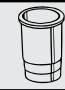

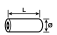
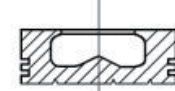





JH5077



1230  **88.00** **Diesel** 

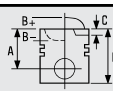
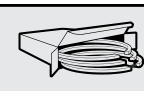

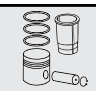
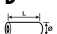

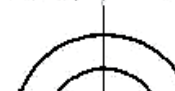
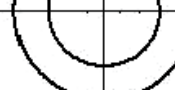



F1AE0481F Euro 4 (D4)	4 Cyl.	2287cc	70kW (95)PS	Turbo Intercooled	TD28231	587
F1AE0481G Euro 4 (D4)	4 Cyl.	2287cc	85kW (116)PS	Turbo Intercooled	TD28232	587
F1AE0481H Euro 4 (D4)	4 Cyl.	2287cc	85kW (116)PS	Turbo Intercooled	TD28233	587
F1AE0481R Euro 4 (D4)	4 Cyl.	2287cc	85kW (116)PS	Turbo Intercooled	TD28234	590
F1AE0481T	4 Cyl.	19:1 2286cc	93kW (126)PS	Turbo Intercooled	TD24632	581



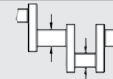

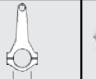






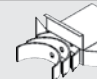
			
	<p>08-138000-00 STD</p> <p>08-138006-00 0.40mm</p> <p>08-138008-00 0.60mm</p>		
	<p>2.50  CK P</p> <p>2.00  P</p> <p>2.50  CR P</p>		






1231	 88.00	Diesel	
FI AE 0481 C	4 Cyl.	2287cc	81kW (110)PS
			Turbo Intercooled
			FM9055 584

			
87-138000-00 STD 87-138006-00 0.40mm 87-138008-00 0.60mm	08-138000-00 STD 08-138006-00 0.40mm 08-138008-00 0.60mm		
A 57.00 B- 18.18 BØ 38.00 D 84.00  31x67	  	2.50  CK P 2.00  P 2.50  CR P	
AK RT TP			

1232	 88.00	Diesel	
FI AE0481D Euro 4 (D4)	4 Cyl.	19:1	2287cc
			88kW (120)PS
			Turbo Intercooled
			TD20264 585
FI AE0481FA Euro 4 (D4)	4 Cyl.		2287cc
			70-78kW (95-106)PS
			Turbo Intercooled
			TD19231 586
FI AE0481GA Euro 4 (D4)	4 Cyl.		2287cc
			85-93kW (116-126)PS
			Turbo Intercooled
			TD19232 586
FI AE0481HA Euro 4 (D4)	4 Cyl.		2287cc
			100kW (136)PS
			Turbo Intercooled
			TD19233 586
FI AE0481M	4 Cyl.		2287cc
			100kW (136)PS
			Turbo Intercooled
			TD19156 588

			
87-138000-10 STD 87-138006-10 0.40mm 87-138008-10 0.60mm	08-138000-00 STD 08-138006-00 0.40mm 08-138008-00 0.60mm		
A 57.00 B- 13.75 BØ 50.10 D 84.00  31x67	  	2.50  CK P 2.00  P 2.50  CR P	
AK KK RT TP			

											
BE/PL	4	59.015/59.038	62.833/62.848	23.750	1.884	0.027/0.065	BS	71-4080	71-4080/4 STD 0.25 0.50		
MB/HL 1-4	4	71.182/71.208	75.588/75.614	27.000	2.174	0.032/0.084	AL-LF	02-4083	H1020/5 STD 0.25 0.50		
MB/HL 1,2,4	3	71.182/71.208	75.588/75.614	27.000	2.174	0.032/0.084	AL-LF	02-4084			
MB/HL 3	1	71.182/71.208	75.588/75.614	27.000	2.174	0.032/0.084	AL-LF	02-4085H			
MB/HL 5	1	76.182/76.208	80.588/80.614	27.000	2.174	0.032/0.084	AL-LF	02-4086L			
MB/HL 5	1	76.182/76.208	80.588/80.614	27.000	2.174	0.032/0.084	AL-LF	02-4086U			

		
	JH5077 (Elastomer)	NA5202  50.0x80.0x14.0mm, FPM
		
	JH5077	

FIAT GROUP

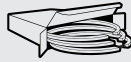
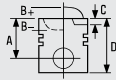
1233

 88.00

Diesel



F1AE0481N 4 Cyl. 19:1 2287cc **96kW (131)PS** **Turbo Intercooled** **TD24778** **589**



08-138000-00 STD
08-138006-00 0.40mm
08-138008-00 0.60mm

2.50  CK P
 2.00  P
 2.50  CR P



JH5077
 (Elastomer)

NA5202  50.0x80.0x14.0mm, FPM



JH5077

1234

 88.00

Diesel





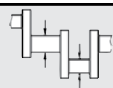
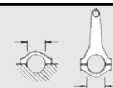




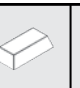
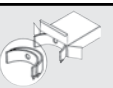
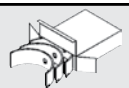
F1AE0481U Euro 4 (D4) 4 Cyl. 2287cc **78kW (106)PS** **Turbo Intercooled** **TD26638** **587**

F1AE0481V Euro 4 (D4) 4 Cyl. 2287cc **93kW (126)PS** **Turbo Intercooled** **TD26637** **587**

F1AE3481A Euro 5 4 Cyl. 2287cc **78kW (106)PS** **Turbo Intercooled** **TD26934** **587**

F1AE3481B Euro 5 4 Cyl. 2287cc **93kW (126)PS** **Turbo Intercooled** **TD26935** **587**

F1AE3481C Euro 5 4 Cyl. 2287cc **107kW (146)PS** **Turbo Intercooled** **TD26943** **587**

										
BE/PL	4	59.015/59.038	62.833/62.848	23.750	1.884	0.027/0.065	BS	71-4080	71-4080/4 STD 0.25 0.50	
MB/HL 1-4	4	71.182/71.208	75.588/75.614	27.000	2.174	0.032/0.084	AL-LF	02-4083	H1020/5 STD 0.25 0.50	
MB/HL 1,2,4	3	71.182/71.208	75.588/75.614	27.000	2.174	0.032/0.084	AL-LF	02-4084		
MB/HL 3	1	71.182/71.208	75.588/75.614	27.000	2.174	0.032/0.084	AL-LF	02-4085H		
MB/HL 5	1	76.182/76.208	80.588/80.614	27.000	2.174	0.032/0.084	AL-LF	02-4086L		
MB/HL 5	1	76.182/76.208	80.588/80.614	27.000	2.174	0.032/0.084	AL-LF	02-4086U		

1235

 88.00

Diesel

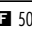


F1AE3481D 4 Cyl. 16.2:1 2287cc **96kW (131)PS** **Turbo Intercooled** **TD25174** **591**

F1AE3481E 4 Cyl. 16.2:1 2287cc **109kW (148)PS** **Turbo Intercooled** **TD25175** **589**





JH5077
 (Elastomer)



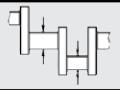
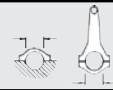





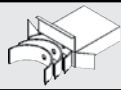
NA5202  50.0x80.0x14.0mm, FPM





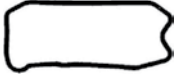




JH5077

1236  **88.00 Diesel** 

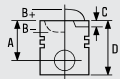
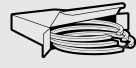
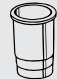
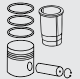




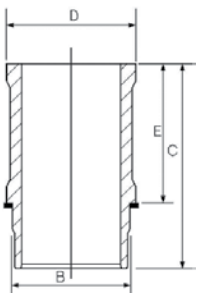
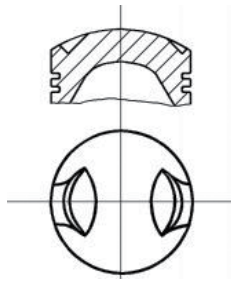
FIAE3481G 4 Cyl. 16.2:1 2287cc **83kW (113)PS** Turbo Intercooled **TD26313 589**

									
BE/PL	4	59.015/59.038	62.833/62.848	23.750	1.884	0.027/0.065	BS	71-4080	71-4080/4 STD 0.25 0.50
MB/HL 1-4	4	71.182/71.208	75.588/75.614	27.000	2.174	0.032/0.084	AL-LF	02-4083	H1020/5 STD 0.25 0.50
MB/HL 1,2,4	3	71.182/71.208	75.588/75.614	27.000	2.174	0.032/0.084	AL-LF	02-4084	
MB/HL 3	1	71.182/71.208	75.588/75.614	27.000	2.174	0.032/0.084	AL-LF	02-4085H	
MB/HL 5	1	76.182/76.208	80.588/80.614	27.000	2.174	0.032/0.084	AL-LF	02-4086L	
MB/HL 5	1	76.182/76.208	80.588/80.614	27.000	2.174	0.032/0.084	AL-LF	02-4086U	



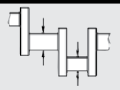
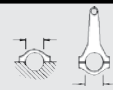





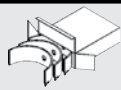
		
	JH5077 (Elastomer)	NA5202  50.0x80.0x14.0mm, FPM
		
	JH5077	





1237  **88.00 Petrol** 

834 G.000 6 Cyl. 2492cc **119kW (162)PS** **TD1066 592**

			
87-110500-30 STD	08-110500-00 STD	15-632300-00 [9] B 94.00 C 120.50 D 104.00 E 78.00	89-110500-30 87-110500-30 + 15-632300-00
A 34.35 B+ 4.65 D 68.00  22x73	1.50  CR P 1.75  P 4.00  CR [15]		
			

[9] Includes seals [9] Inclut des joints [9] Comprende le guarnizioni [9] Incluye los sellos
 [15] Steel [15] Acier [15] Acciaio [15] Acero

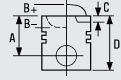

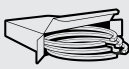

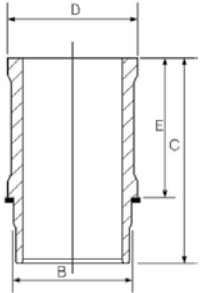

									
BE/PL	6	51.980/52.000	55.511/55.524	19.100	1.749	0.020/0.071	BS	4080CP	71-4218/6 STD 0.25
MB/HL 1-4	4	59.951/59.971	63.657/63.676	22.350	1.841	0.020/0.068	BS	4081CP	H1082/4 STD 0.25
SE/PB	1	21.994/22.000	25.120/25.146	23.720			BS	60014X	55-4280 SEMI

		
		NA5163  32.00x47.00x10.00mm, FPM



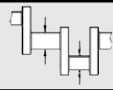
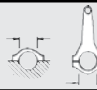





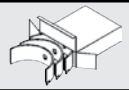
1238


88.00
Petrol


AR 01646	6 Cyl.	9:1	2492cc	110-116kW (150-158)PS	TD36	593
AR 01911	6 Cyl.	9:1	2492cc	110-115kW (150-156)PS	TD42	595
AR 01928	6 Cyl.		2492cc	110-117kW (150-159)PS	TD44	596

 <p>87-110500-30 STD</p> <p>A 34.35 B+ 4.65 D 68.00</p>  <p>22x73</p>	 <p>08-110500-00 STD</p> <p>1.50 CR P 1.75 P 4.00 CR [15]</p>	 <p>15-632300-00 [9] B 94.00 C 120.50 D 104.00 E 78.00</p> 	 <p>89-110500-30 87-110500-30 + 15-632300-00</p>
--	---	---	--

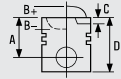
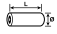
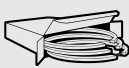
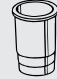
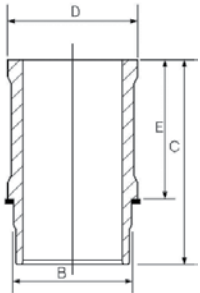
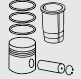
[9] Includes seals [9] Inclut des joints [9] Comprende le guarnizioni [9] Incluye los sellos
 [15] Steel [15] Acier [15] Acciaio [15] Acero

									
BE/PL	6	51.980/52.000	55.511/55.524	19.100	1.749	0.020/0.071	BS	4080CP	71-4218/6 STD 0.25
MB/HL 1-4	4	59.951/59.971	63.657/63.676	22.350	1.841	0.020/0.068	BS	4081CP	H1082/4 STD 0.25
SE/PB	1	21.994/22.000	25.120/25.146	23.720			BS	60014X	55-4280 SEMI



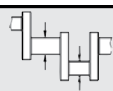
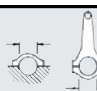




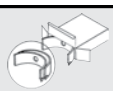
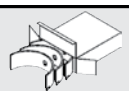
1239


88.00
Petrol








AR 01648	6 Cyl.		2492cc	113kW (154)PS	TD10150	594
----------	--------	--	--------	---------------	---------	-----



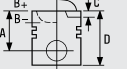
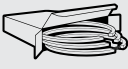


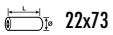
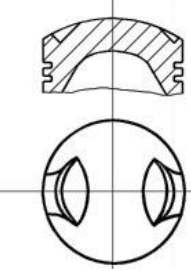
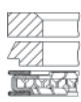
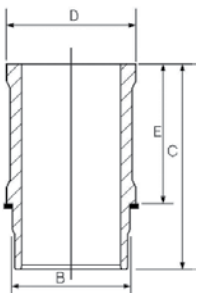
 <p>87-110500-30 STD</p> <p>A 34.35 B+ 4.65 D 68.00</p>  <p>22x73</p>	 <p>08-110500-00 STD</p> <p>1.50 CR P 1.75 P 4.00 CR [15]</p>	 <p>15-632300-00 [9] B 94.00 C 120.50 D 104.00 E 78.00</p> 	 <p>89-110500-30 87-110500-30 + 15-632300-00</p>
--	---	---	--



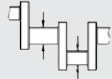
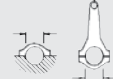






[9] Includes seals [9] Inclut des joints [9] Comprende le guarnizioni [9] Incluye los sellos
 [15] Steel [15] Acier [15] Acciaio [15] Acero





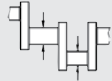
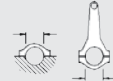






									
BE/PL	6	51.980/52.000	55.511/55.524	19.100	1.749	0.020/0.071	BS	4080CP	71-4218/6 STD 0.25
MB/HL 1-4	4	59.951/59.971	63.657/63.676	22.350	1.841	0.020/0.068	BS	4081CP	H1082/4 STD 0.25
SE/PB	1	21.994/22.000	25.120/25.146	23.720			BS	60014X	55-4280 SEMI

...Continued

1239	 88.00	Petrol
		
	KV086	NA5163  32.00x47.00x10.00mm, FPM
		
KV086		

1240	 88.00	Petrol			
AR 01913	6 Cyl.	9:1	2492cc	116-118kW (158-160)PS	TD43
					
87-110500-30	STD	08-110500-00	STD	15-632300-00 [9] B 94.00 C 120.50 D 104.00 E 78.00	89-110500-30 87-110500-30 + 15-632300-00
A 34.35 B+ 4.65 D 68.00  22x73		1.50 1.75 4.00  CR P P CR [15]			
[9] Includes seals [15] Steel	[9] Inclut des joints [15] Acier	[9] Comprende le guarnizioni [15] Acciaio	[9] Incluye los sellos [15] Acero		

									
BE/PL	6	51.980/52.000	55.511/55.524	19.100	1.749	0.020/0.071	BS	4080CP	71-4218/6 STD 0.25
MB/HL 1-4	4	59.951/59.971	63.657/63.676	22.350	1.841	0.020/0.068	BS	4081CP	H1082/4 STD 0.25

1241	 88.00	Petrol							
AR 11900	6 Cyl.	9:1	2492cc	115kW (156)PS	TD23343				
AR 32402	6 Cyl.		2492cc	140-141kW (191-192)PS	TD19056				
AR 66201	6 Cyl.		2492cc	120kW (163)PS	TD132 600				
									
BE/PL	6	51.980/52.000	55.511/55.524	19.100	1.749	0.020/0.071	BS	4080CP	71-4218/6 STD 0.25
MB/HL 1-4	4	59.951/59.971	63.657/63.676	22.350	1.841	0.020/0.068	BS	4081CP	H1082/4 STD 0.25
SE/PB	1	21.994/22.000	25.120/25.146	23.720			BS	60014X	55-4280 SEMI

FIAT GROUP

1242

88.00

Petrol



AR 32401	6 Cyl.	7.3:1	2492cc	140kW (190)PS	TD9464	597
AR 32405	6 Cyl.		2492cc	141kW (192)PS	TD15634	598
AR 34201	6 Cyl.	10.3:1	2492cc	140kW (190)PS	TD11601	597
AR 36201	6 Cyl.		2492cc	138kW (188)PS	TD15635	599

	08-124600-00 STD		
	1.20 CR P		
	1.50 P		
	3.50 P		

BE/PL	6	51.980/52.000	55.511/55.524	19.100	1.749	0.020/0.071	BS	4080CP	71-4218/6 STD 0.25
MB/HL 1-4	4	59.951/59.971	63.657/63.676	22.350	1.841	0.020/0.068	BS	4081CP	H1082/4 STD 0.25
SE/PB	1	21.994/22.000	25.120/25.146	23.720			BS	60014X	55-4280 SEMI

1243

88.00

Petrol



AR 67301	6 Cyl.		2492cc	121kW (165)PS	TD139	601
AR 67302	6 Cyl.		2492cc	120kW (163)PS	TD9468	602
AR 67303	6 Cyl.		2492cc	120kW (163)PS	TD9767	603

87-110500-30 STD	08-110500-00 STD	15-632300-00 [9] B 94.00 C 120.50 D 104.00 E 78.00	89-110500-30 87-110500-30 + 15-632300-00
A 34.35 B+ 4.65 D 68.00 22x73	1.50 CR P 1.75 P 4.00 CR [15]		

[9] Includes seals

[9] Inclut des joints

[9] Comprende le guarnizioni

[9] Incluye los sellos

[15] Steel



[15] Acier



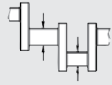
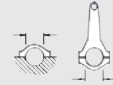





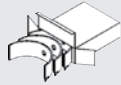
[15] Acciaio



[15] Acero

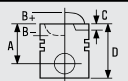
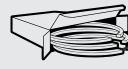
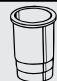


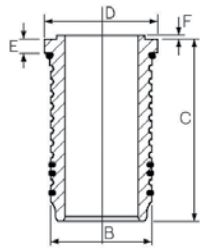


BE/PL	6	51.980/52.000	55.511/55.524	19.100	1.749	0.020/0.071	BS	4080CP	71-4218/6 STD 0.25
MB/HL 1-4	4	59.951/59.971	63.657/63.676	22.350	1.841	0.020/0.068	BS	4081CP	H1082/4 STD 0.25
SE/PB	1	21.994/22.000	25.120/25.146	23.720			BS	60014X	55-4280 SEMI



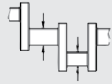
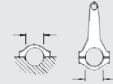





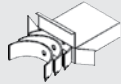
	HR397	NJ951 32.00x50.00x8.00mm, FPM



1244	 91.00	Petrol			
834 A.000	6 Cyl.	9.5:1	2849cc	110kW (150)PS	TD18863
834 E.000	6 Cyl.		2849cc	110kW (150)PS	TD4623
834 E.146	6 Cyl.		2849cc	108kW (147)PS	TD4609






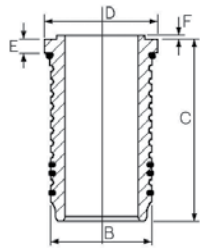


									
MB/HL 1-4	4	70.043/70.062	74.000/74.019	23.470	1.967	0.020/0.067	AL-LF	66311RA	H1041/4 STD

1245	 92.00	Diesel					
VM 81 A	4 Cyl.	22:1	2393cc	81kW (110)PS	Turbocharged	TD152	607
VM 82 A	3 Cyl.	22:1	1779cc	54kW (73)PS	Turbocharged	TD153	605
VM 96 A	3 Cyl.	22:1	1779cc	62kW (84)PS	Turbocharged	TD155	605

			
	08-110100-00 STD	14-676420-00 WH B 101.50 C 166.80 D 110.00 E 8.90 F 1.20	
	2.50  CR P		
	2.00  P		
	4.00  CR P		

									
BE/PL	1	53.940/53.955	57.563/57.582	23.250	1.798	0.020/0.071	BS	66655CP	71-4234 STD 0.25 0.50 0.75
TW/A	2	74.250/74.500	88.000/88.100		2.362		AL-LF	61588AF	A227/2 STD
SE/PB	1	29.990/29.996	34.000/34.025	30.120			BS	66659XA	55-4235 SEMI

1246	 92.00	Diesel					
VM4HT 2.4	4 Cyl.		2393cc	69-70kW (94-95)PS	Turbocharged	TD159	606

			
	08-110100-00 STD	14-676420-00 WH B 101.50 C 166.80 D 110.00 E 8.90 F 1.20	
	2.50  CR P		
	2.00  P		
	4.00  CR P		

FIAT GROUP

...Continued

1246		92.00	Diesel							
BE/PL	1	53.940/53.955	57.563/57.582	23.250	1.798	0.020/0.071	BS	66655CP	71-4234 STD 0.25 0.50 0.75	
TW/A	2	74.250/74.500	88.000/88.100		2.362		AL-LF	61588AF	A227/2 STD	
SE/PB	1	29.990/29.996	34.000/34.025	30.120			BS	66659XA	55-4235 SEMI	

JJ452 (MVQ) KV086		
JJ452	KV086	

1247		92.00	Diesel							
THY (DK5ATE)		4 Cyl.	22:1	2446cc	96kW (131)PS	Turbo Intercooled	TD22239			
BE/PL	4	53.981/54.000	57.675/57.695	22.700	1.823	0.030/0.090	SP	71-3951	71-3951/4 STD [21]	

1248		92.00	Diesel							
VM 07 B	4 Cyl.	22:1	2499cc	92kW (125)PS	Turbocharged	TD149	608			
VM 08 B	4 Cyl.	22:1	2499cc	92kW (125)PS	Turbocharged	TD9771	609			
VM 31 B	4 Cyl.	22:1	2499cc	92-125kW (125-170)PS	Turbocharged	TD9768	609			
VM 32 B	4 Cyl.	22:1	2499cc	92kW (125)PS	Turbocharged	TD127	610			
VM 84 A	4 Cyl.	22:1	2499cc	84kW (114)PS	Turbocharged	TD154	611			

87-110100-00 STD	08-110100-00 STD	14-676420-00 WH B 101.50 C 166.80 D 110.00 E 8.90 F 1.20	89-110100-00 87-110100-00 + 14-676420-00
A 51.00 B- 2.10 D 86.00 30x76	2.50 CR P 2.00 P 4.00 CR P		

...Continued

1248		92.00	Diesel							
BE/PL	1	53.940/53.955	57.563/57.582	23.250	1.798	0.020/0.071	BS	66655CP	71-4234 STD 0.25 0.50 0.75	
TW/A	2	74.250/74.500	88.000/88.100		2.362		AL-LF	61588AF	A227/2 STD	
SE/PB	1	29.990/29.996	34.000/34.025	30.120			BS	66659XA	55-4235 SEMI	

1249		92.00	Diesel							
VM-425 CHIEA 08 B	4 Cyl.	21.5:1	2499cc	90kW (122)PS	Turbo Intercooled	TD156				
VM-425 SLIRA	4 Cyl.	21.5:1	2500cc	86kW (118)PS	Turbo Intercooled	TD157				

BE/PL	1	53.940/53.955	57.563/57.582	23.250	1.798	0.020/0.071	BS	66655CP	71-4234 STD 0.25 0.50 0.75	
TW/A	2	74.250/74.500	88.000/88.100		2.362		AL-LF	61588AF	A227/2 STD	
SE/PB	1	29.990/29.996	34.000/34.025	30.120			BS	66659XA	55-4235 SEMI	



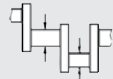
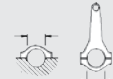





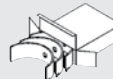
1250		93.00	Diesel							
8144.61	4 Cyl.	21:1	2428cc	53-55kW (72-75)PS	TD4408	612				

87-214500-00 87-214508-00	STD 0.60mm		08-214500-10 08-214508-10	STD 0.60mm	14-021280-00 DH [11] B 97.03 C 167.00 D 100.00 E 5.00 14-022560-00 D B 96.00 C 167.30 D 98.90 E 5.00				
A 54.80 B- 2.20 D 89.80 32x75			06/81 → 3.00 CR P 2.00 P 4.00 CR P						
HA RT			08-214400-10 01/78 → 05/81	STD					
			2.00 CR P 2.00 P 4.00 CR P						
[11] Nitrided	[11] Nitridé	[11] Niturato	[11] Niturado						

1250

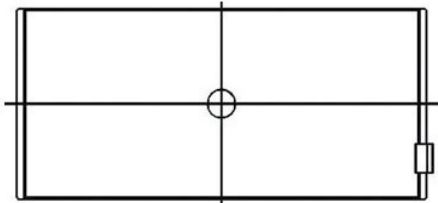
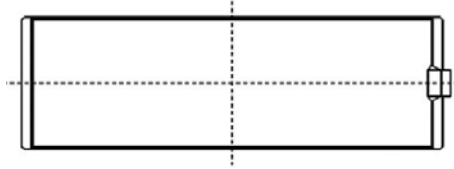
 **93.00**

Diesel

									
BE/PL	4	56.520/56.535	60.333/60.345	24.700	1.870	0.020/0.072	BS	1870CP	71-4130/4 STD 0.25 0.50 0.75
BE/PL	4	56.520/56.535	60.333/60.345	24.700	1.870	0.020/0.070	BS	66575CP	71-4185/4 STD 0.25 0.50 0.75

1870CP

66575CP

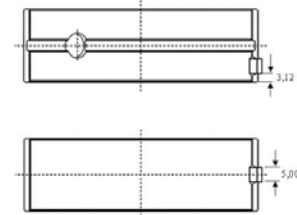
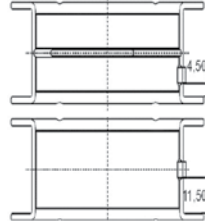
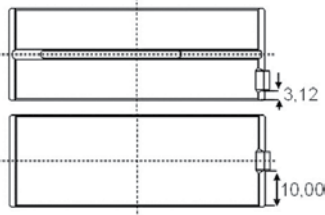


MB/HL 1-4	4	76.187/76.200	80.586/80.607	24.990	2.172	0.042/0.100	BS	66571CP	H1049/5 STD 0.25 0.50 0.75
MB/HL 5	1	76.187/76.200	80.586/80.607	31.950	2.172	0.042/0.100	BS	66572CPH	
MB/HL 1-4	4	76.187/76.200	80.586/80.607	24.990	2.172	0.038/0.097	BS	66573CP	H1094/5 STD 0.25
MB/HL 5	1	76.187/76.200	80.586/80.607	31.950	2.172	0.038/0.097	BS	66574CPH	

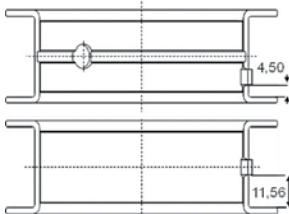
66571CP

66572CPH

66573CP



66574CPH



SE/PB	1	31.990/31.996	34.895/34.920	30.700			BS	66579YA	55-4186 SEMI
-------	---	---------------	---------------	--------	--	--	----	---------	------------------------







JJ100
(Cork)
JJ519

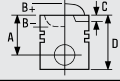
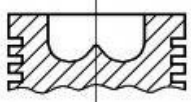

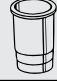

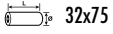



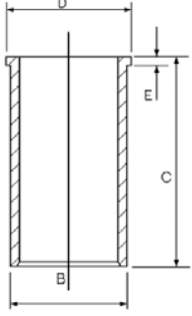




JJ100

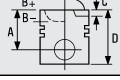
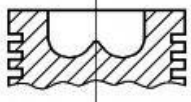


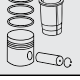
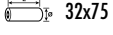



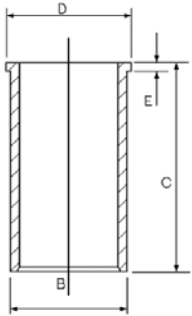
JJ519

NB946  70.00x90.00x10.00mm, FPM
NF833  90.00x115.00x13.00mm, FPM

1251	 93.00	Diesel				
8140.21	4 Cyl.	18:1	2445cc	Turbocharged	FM9103	613
8140.21.201-203	4 Cyl.		2445cc	68kW (92)PS	Turbocharged	FM9240

				
87-245200-30 87-245208-30 STD 0.60mm A 59.65 B- 14.80 BØ 51.90 D 97.65  32x75 RT	08-245200-00 STD 08-245208-00 0.60mm 3.00  CR P 2.00  P 3.00  CR P	14-021371-00 D B 96.01 C 171.00 D 98.92 E 5.00 14-021372-00 D B 96.05 C 171.00 D 98.92 E 5.00 14-021373-00 D B 96.17 C 171.00 D 98.92 E 5.00 14-021480-00 DH [11] B 97.04 C 171.00 D 100.00 E 5.00 		
[11] Nitrided	[11] Nitridé	[11] Nitrurato	[11] Nitrurado	



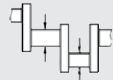
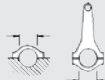





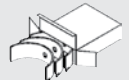
1252	 93.00	Diesel					
8140.21.200	4 Cyl.	18:1	2445cc	68kW (92)PS	Turbocharged	TD1703	614

				
87-245200-30 87-245208-30 STD 0.60mm A 59.65 B- 14.80 BØ 51.90 D 97.65  32x75 RT	08-245200-00 STD 08-245208-00 0.60mm 3.00  CR P 2.00  P 3.00  CR P	14-021371-00 D B 96.01 C 171.00 D 98.92 E 5.00 14-021372-00 D B 96.05 C 171.00 D 98.92 E 5.00 14-021373-00 D B 96.17 C 171.00 D 98.92 E 5.00 14-021480-00 DH [11] B 97.04 C 171.00 D 100.00 E 5.00 		
[11] Nitrided	[11] Nitridé	[11] Nitrurato	[11] Nitrurado	

1252

 **93.00**

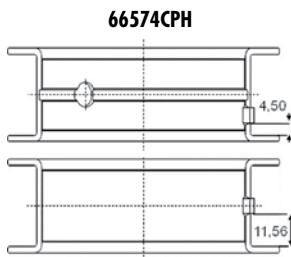
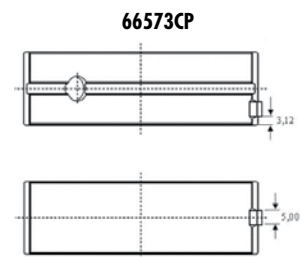
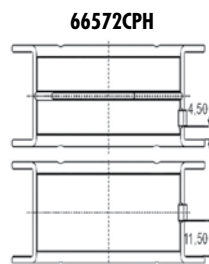
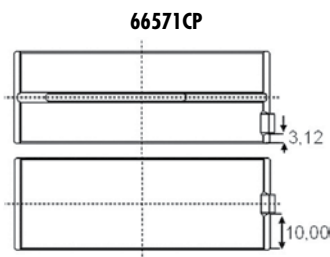
Diesel

									
BE/PL	4	56.520/56.535	60.333/60.345	24.700	1.870	0.020/0.070	BS	66575CP	71-4185/4 STD 0.25 0.50 0.75
MB/HL 1-4	4	76.187/76.200	80.586/80.607	24.990	2.172	0.042/0.100	BS	66571CP	H1049/5 STD 0.25 0.50 0.75
MB/HL 5	1	76.187/76.200	80.586/80.607	31.950	2.172	0.042/0.100	BS	66572CPH	

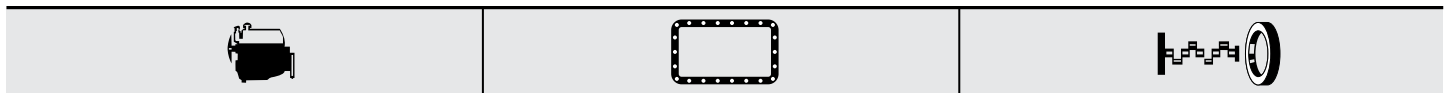
Mot. → 1846776

MB/HL 1-4	4	76.187/76.200	80.586/80.607	24.990	2.172	0.038/0.097	BS	66573CP	H1094/5 STD 0.25
MB/HL 5	1	76.187/76.200	80.586/80.607	31.950	2.172	0.038/0.097	BS	66574CPH	

Mot. 1846777 →








SE/PB	1	31.990/31.996	34.895/34.920	30.700			BS	66579YA	55-4186 SEMI
-------	---	---------------	---------------	--------	--	--	----	---------	------------------------



 **ES381**

JH5178
Soft Material Gasket
JJ519

NF853  100.00x118.00x10.00mm, FPM
NP067  50.00x70.00x10.00mm, FPM
NF883  114.00x177.00x13.00mm, FPM
NF885  70.00x179.00x16.00mm, FPM
NF886  100.00x179.00x15.80mm, FPM



JH5178

JJ519

1253

93.00

Diesel



8140.21.200 D.I.	4 Cyl.	18:1	2445cc	68kW (92)PS	Turbocharged	TD143	615
8144.21.220	4 Cyl.	18:1	2445cc	68kW (92)PS	Turbocharged	TD145	625

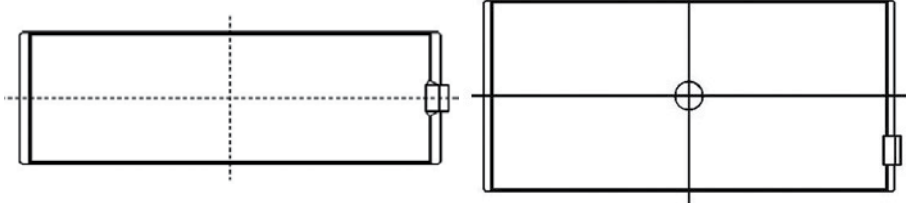
87-245200-30 87-245208-30 STD 0.60mm A 59.65 B- 14.80 BØ 51.90 D 97.65 32x75 RT	08-245200-00 08-245208-00 STD 0.60mm 3.00 CR P 2.00 P 3.00 CR P	14-021371-00 D B 96.01 C 171.00 D 98.92 E 5.00 14-021372-00 D B 96.05 C 171.00 D 98.92 E 5.00 14-021373-00 D B 96.17 C 171.00 D 98.92 E 5.00 14-021480-00 DH [11] B 97.04 C 171.00 D 100.00 E 5.00 	

[11] Nitrided [11] Nitridé [11] Nitrurato [11] Nitrurado



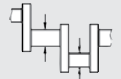
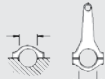






BE/PL	4	56.520/56.535	60.333/60.345	24.700	1.870	0.020/0.072	BS	1870CP	71-4130/4 STD 0.25 0.50 0.75	
BE/PL	4	56.520/56.535	60.333/60.345	24.700	1.870	0.020/0.070	BS	66575CP	71-4185/4 STD 0.25 0.50 0.75	

1870CP

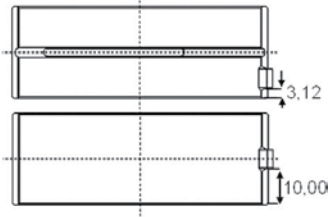
66575CP



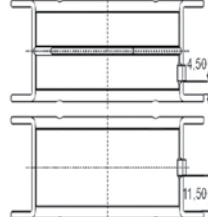
1253  **93.00** **Diesel**

									
MB/HL 1-4	4	76.187/76.200	80.586/80.607	24.990	2.172	0.042/0.100	BS	66571CP	H1049/5 STD 0.25 0.50 0.75
MB/HL 5	1	76.187/76.200	80.586/80.607	31.950	2.172	0.042/0.100	BS	66572CPH	
MB/HL 1-4	4	76.187/76.200	80.586/80.607	24.990	2.172	0.038/0.097	BS	66573CP	H1094/5 STD 0.25
MB/HL 5	1	76.187/76.200	80.586/80.607	31.950	2.172	0.038/0.097	BS	66574CPH	

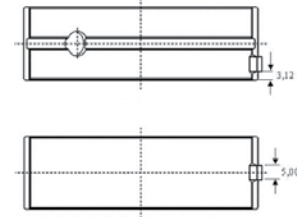
66571CP



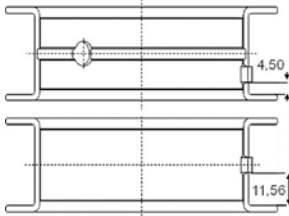
66572CPH




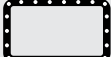
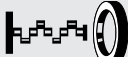

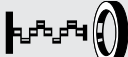

66573CP



66574CPH



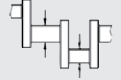
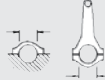








SE/PB	1	31.990/31.996	34.895/34.920	30.700			BS	66579YA	55-4186 SEMI
-------	---	---------------	---------------	--------	--	--	----	---------	------------------------

		
	JJ100 (Cork) JJ519  JJ100	NB946  70.00x90.00x10.00mm, FPM
	 JJ519	

1254  **93.00** **Diesel**



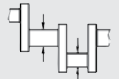
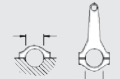






8140.21.201	4 Cyl.	18:1	2445cc	68kW (92)PS	Turbocharged	TD27368	613
8140.21.202	4 Cyl.	18:1	2445cc	68kW (92)PS	Turbocharged	TD27369	613
8140.21.203	4 Cyl.	18:1	2445cc	68kW (92)PS	Turbocharged	TD27370	613
8140.21.212	4 Cyl.	18:1	2445cc	68kW (92)PS	Turbocharged	TD27371	613
8140.21.290	4 Cyl.	18:1	2445cc	68kW (92)PS	Turbocharged	TD27372	613

									
BE/PL	4	56.520/56.535	60.333/60.345	24.700	1.870	0.020/0.072	BS	1870CP	71-4130/4 STD 0.25 0.50 0.75

10/02 →

...Continued

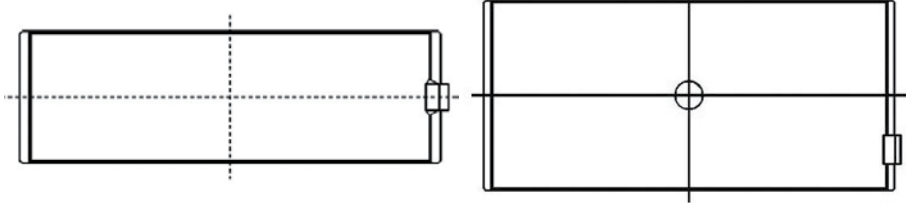
1254  **93.00 Diesel**

									
BE/PL	4	56.520/56.535	60.333/60.345	24.700	1.870	0.020/0.070	BS	66575CP	71-4185/4 STD 0.25 0.50 0.75

→09/02

1870CP

66575CP



MB/HL 1-4	4	76.187/76.200	80.586/80.607	24.990	2.172	0.042/0.100	BS	66571CP	H1049/5 STD 0.25 0.50 0.75
MB/HL 5	1	76.187/76.200	80.586/80.607	31.950	2.172	0.042/0.100	BS	66572CPH	

Mot. →1846776

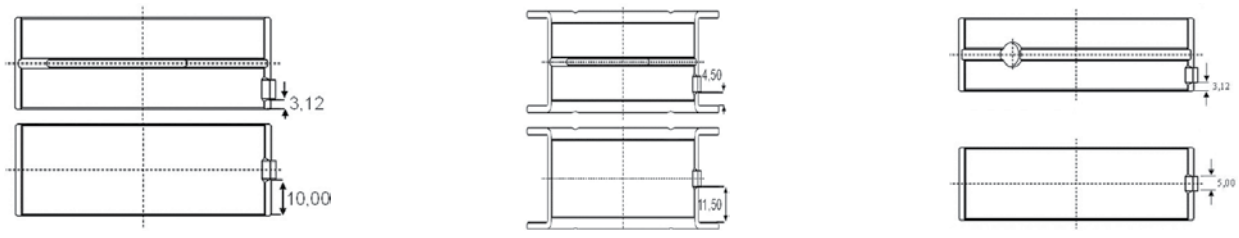
MB/HL 1-4	4	76.187/76.200	80.586/80.607	24.990	2.172	0.038/0.097	BS	66573CP	H1094/5 STD 0.25
MB/HL 5	1	76.187/76.200	80.586/80.607	31.950	2.172	0.038/0.097	BS	66574CPH	

Mot.1846777 →

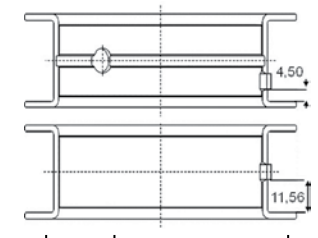
66571CP

66572CPH

66573CP



66574CPH



SE/PB	1	31.990/31.996	34.895/34.920	30.700			BS	66579YA	55-4186 SEMI
-------	---	---------------	---------------	--------	--	--	----	---------	------------------------

1255

 93.00

Diesel



8140.21.214

4 Cyl.

18:1

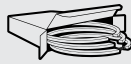
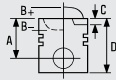
2445cc

77kW (105)PS

Turbocharged

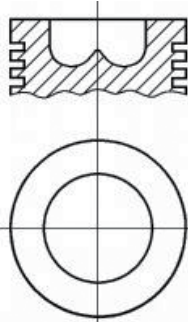
TD1704

616



87-245200-30
87-245208-30

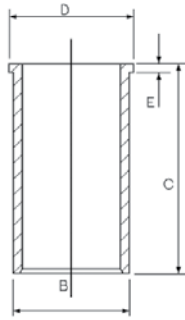
STD
0.60mm



08-245200-00 STD
08-245208-00 0.60mm

3.00 CR P
2.00 P
3.00 CR P

14-021371-00 D
B 96.01 C 171.00 D 98.92 E 5.00
14-021372-00 D
B 96.05 C 171.00 D 98.92 E 5.00
14-021373-00 D
B 96.17 C 171.00 D 98.92 E 5.00
14-021480-00 DH [11]
B 97.04 C 171.00 D 100.00 E 5.00



A 59.65
B- 14.80
BØ 51.90
D 97.65
32x75

RT

[11] Nitrided [11] Nitridé [11] Nitrurato [11] Nitrurado

BE/PL	4	56.520/56.535	60.333/60.345	24.700	1.870	0.020/0.072	BS	1870CP	71-4130/4 STD 0.25 0.50 0.75

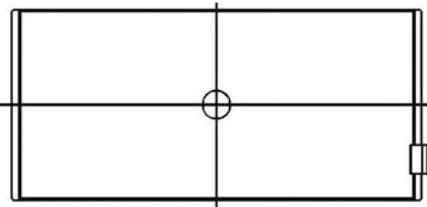
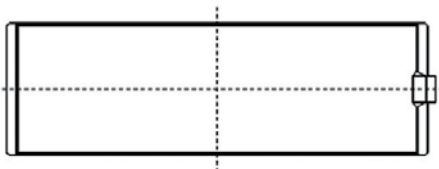
10/02→

BE/PL	4	56.520/56.535	60.333/60.345	24.700	1.870	0.020/0.070	BS	66575CP	71-4185/4 STD 0.25 0.50 0.75
-------	---	---------------	---------------	--------	-------	-------------	----	---------	---------------------------------

→09/82

1870CP

66575CP



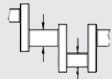
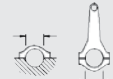








MB/HL 1-4	4	76.187/76.200	80.586/80.607	24.990	2.172	0.042/0.100	BS	66571CP	H1049/5 STD 0.25 0.50 0.75
MB/HL 5	1	76.187/76.200	80.586/80.607	31.950	2.172	0.042/0.100	BS	66572CPH	

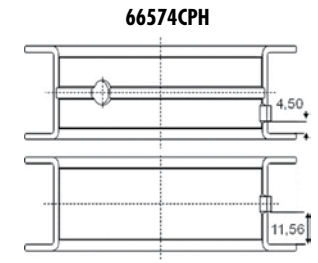
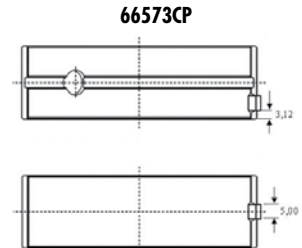
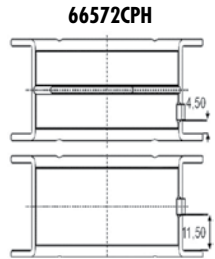
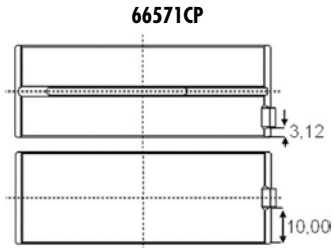
Mot.→1846776

...Continued

1255  **93.00** **Diesel**




									
MB/HL 1-4	4	76.187/76.200	80.586/80.607	24.990	2.172	0.038/0.097	BS	66573CP	H1094/5 STD 0.25
MB/HL 5	1	76.187/76.200	80.586/80.607	31.950	2.172	0.038/0.097	BS	66574CPH	

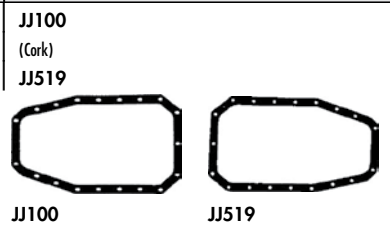
Mot.1846777 →





SE/PB	1	31.990/31.996	34.895/34.920	30.700			BS	66579YA	55-4186 SEMI
-------	---	---------------	---------------	--------	--	--	----	---------	------------------------

09/82 →, Mot.344183 →

		
---	---	---



NF853  100.00x118.00x10.00mm, FPM
NP067  50.00x70.00x10.00mm, FPM

1256

 93.00

Diesel



8140.27.210, 8140.27.213

4 Cyl.

18:1

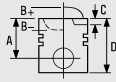
2445cc

77kW (105)PS

Turbocharged

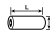
FM9131

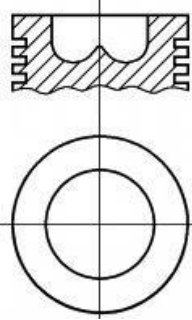
613



87-245200-60

STD

A 58.65
B- 14.80
BØ 51.90
D 75.20
 32x75



08-245200-00

STD

08-245208-00

0.60mm

3.00  CR P
2.00  P
3.00  CR P

14-021371-00 D

B 96.01 C 171.00 D 98.92 E 5.00

14-021372-00 D

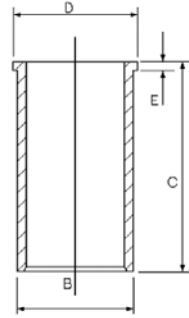
B 96.05 C 171.00 D 98.92 E 5.00

14-021373-00 D

B 96.17 C 171.00 D 98.92 E 5.00

14-021480-00 DH [11]

B 97.04 C 171.00 D 100.00 E 5.00



RT

[11] Nitrided

[11] Nitridé

[11] Niturato

[11] Niturado

1257

 93.00

Diesel



8140.27.218

4 Cyl.

18:1

2445cc

77kW (105)PS

Turbocharged

FM19131

613

8140.27R.2700, 8140.27S.2700, 4 Cyl.

18:1

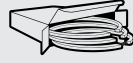
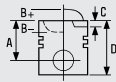
2499cc

Turbocharged

FM9102

644

8140.27.2700, 8140.27R, 8140.27S

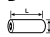


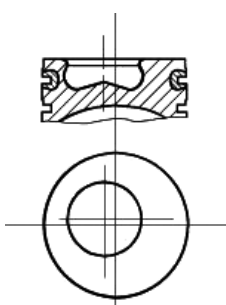
87-245200-40

STD

87-245208-40

0.60mm

A 58.75
B- 17.90
BØ 38.00
D 96.75
 32x75




RT

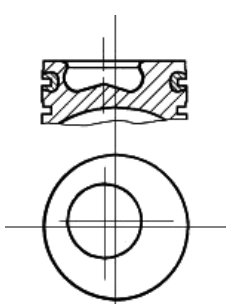
87-245200-50

STD

87-245208-50

0.60mm

A 58.75
B- 17.90
BØ 38.00
D 96.75
 32x78



AK NB RT



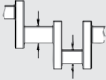
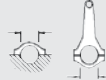






1258

 93.00

Diesel

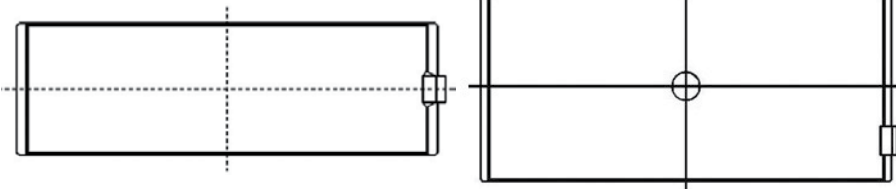


8140.27 S 4 Cyl. 18:1 2445cc 68kW (92)PS Turbocharged TD1705 617

									
BE/PL	4	56.520/56.535	60.333/60.345	24.700	1.870	0.020/0.072	BS	1870CP	71-4130/4 STD 0.25 0.50 0.75
BE/PL	4	56.520/56.535	60.333/60.345	24.700	1.870	0.020/0.070	BS	66575CP	71-4185/4 STD 0.25 0.50 0.75

1870CP

66575CP

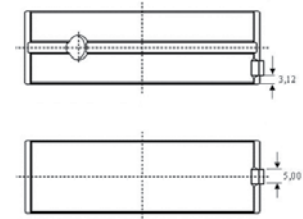
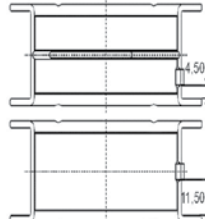
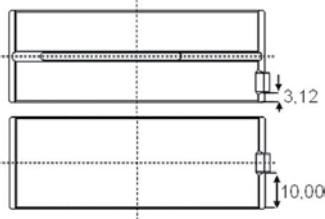


MB/HL 1-4	4	76.187/76.200	80.586/80.607	24.990	2.172	0.042/0.100	BS	66571CP	H1049/5 STD 0.25 0.50 0.75
MB/HL 5	1	76.187/76.200	80.586/80.607	31.950	2.172	0.042/0.100	BS	66572CPH	
MB/HL 1-4	4	76.187/76.200	80.586/80.607	24.990	2.172	0.038/0.097	BS	66573CP	H1094/5 STD 0.25
MB/HL 5	1	76.187/76.200	80.586/80.607	31.950	2.172	0.038/0.097	BS	66574CPH	

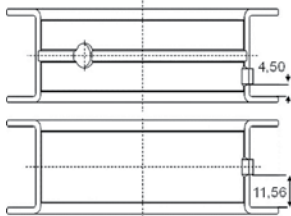
66571CP

66572CPH

66573CP



66574CPH




SE/PB	1	31.990/31.996	34.895/34.920	30.700			BS	66579YA	55-4186 SEMI
-------	---	---------------	---------------	--------	--	--	----	---------	------------------------



 ES381

JH5178
Soft Material Gasket
JJ519

NF833  90.00x115.00x13.00mm, FPM



JH5178

JJ519



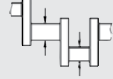






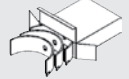
1259

 93.00

Diesel

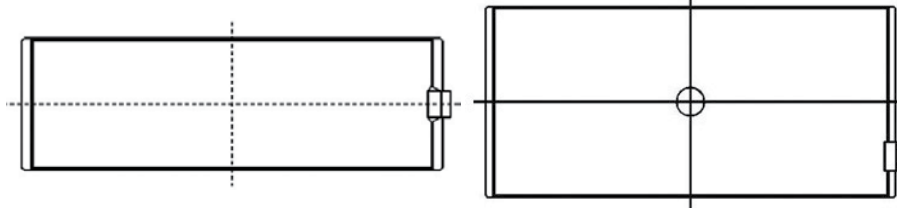


8140.47.3700	4 Cyl.	18.5:1	2499cc	85kW (116)PS	Turbo Intercooled	TD6809	655
8140.61.204	4 Cyl.	21:1	2445cc	53kW (72)PS		TD1051	621
8144.81.2000	4 Cyl.	22:1	2445cc	66-74kW (90-101)PS		TD1057	632

									
BE/PL	4	56.520/56.535	60.333/60.345	24.700	1.870	0.020/0.072	BS	1870CP	71-4130/4 STD 0.25 0.50 0.75
BE/PL	4	56.520/56.535	60.333/60.345	24.700	1.870	0.020/0.070	BS	66575CP	71-4185/4 STD 0.25 0.50 0.75

1870CP

66575CP

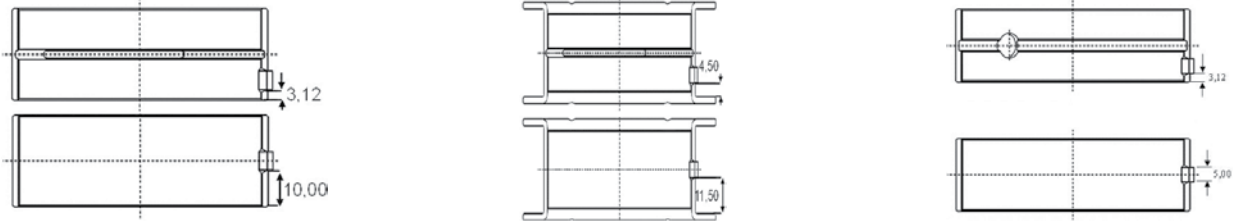


MB/HL 1-4	4	76.187/76.200	80.586/80.607	24.990	2.172	0.042/0.100	BS	66571CP	H1049/5 STD 0.25 0.50 0.75
MB/HL 5	1	76.187/76.200	80.586/80.607	31.950	2.172	0.042/0.100	BS	66572CPH	
MB/HL 1-4	4	76.187/76.200	80.586/80.607	24.990	2.172	0.038/0.097	BS	66573CP	H1094/5 STD 0.25
MB/HL 5	1	76.187/76.200	80.586/80.607	31.950	2.172	0.038/0.097	BS	66574CPH	

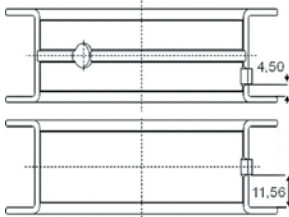
66571CP

66572CPH

66573CP



66574CPH



SE/PB	1	31.990/31.996	34.895/34.920	30.700			BS	66579YA	55-4186 SEMI
-------	---	---------------	---------------	--------	--	--	----	---------	------------------------



JJ519

NB946 70.00x90.00x10.00mm, FPM



JJ519

1260

93.00

Diesel



8140.61

4 Cyl.

21:1

2445cc

53-55kW (72-75)PS

TD1050

618

<p>87-214500-00 STD</p> <p>87-214508-00 0.60mm</p> <p>A 54.80</p> <p>B- 2.20</p> <p>D 89.80</p> <p> 32x75</p> <p>HA RT</p>		<p>08-214500-10 STD</p> <p>08-214508-10 0.60mm</p> <p>06/81 →</p> <p>3.00 CR P</p> <p>2.00 P</p> <p>4.00 CR P</p>	<p>14-021280-00 DH [11]</p> <p>B 97.03 C 167.00 D 100.00 E 5.00</p> <p>14-022560-00 D</p> <p>B 96.00 C 167.30 D 98.90 E 5.00</p>				
		<p>08-214400-10 STD</p> <p>01/78 → 05/81</p> <p>2.00 CR P</p> <p>2.00 P</p> <p>4.00 CR P</p>					

[11] Nitrided

[11] Nitridé

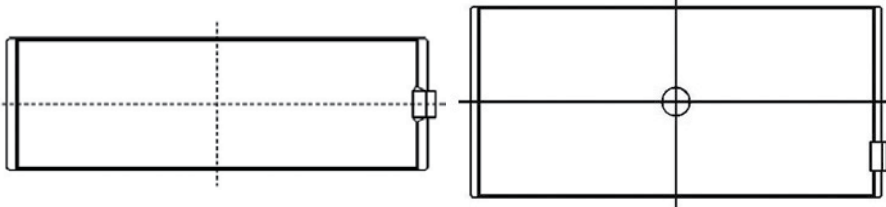
[11] Nitruato

[11] Niturado

BE/PL	4	56.520/56.535	60.333/60.345	24.700	1.870	0.020/0.072	BS	1870CP	71-4130/4 STD 0.25 0.50 0.75
BE/PL	4	56.520/56.535	60.333/60.345	24.700	1.870	0.020/0.070	BS	66575CP	71-4185/4 STD 0.25 0.50 0.75

1870CP

66575CP



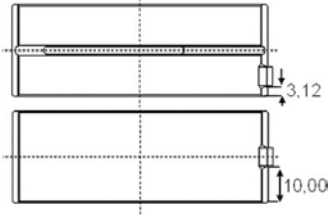
1260

93.00

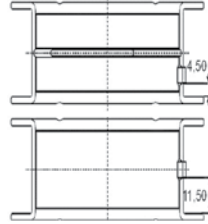
Diesel

MB/HL 1-4	4	76.187/76.200	80.586/80.607	24.990	2.172	0.042/0.100	BS	66571CP	H1049/5 STD 0.25 0.50 0.75
MB/HL 5	1	76.187/76.200	80.586/80.607	31.950	2.172	0.042/0.100	BS	66572CPH	
MB/HL 1-4	4	76.187/76.200	80.586/80.607	24.990	2.172	0.038/0.097	BS	66573CP	H1094/5 STD 0.25
MB/HL 5	1	76.187/76.200	80.586/80.607	31.950	2.172	0.038/0.097	BS	66574CPH	

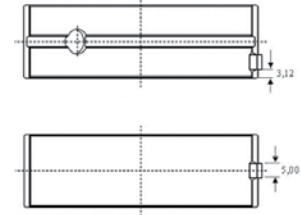
66571CP



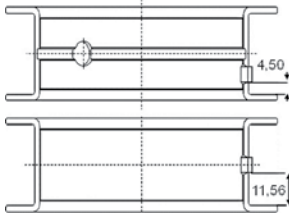
66572CPH



66573CP



66574CPH



SE/PB	1	31.990/31.996	34.895/34.920	30.700		BS	66579YA	55-4186 SEMI
-------	---	---------------	---------------	--------	--	----	---------	------------------------



JH5077

(Elastomer)

LS856

NB946 70.00x90.00x10.00mm, FPM

NF833 90.00x115.00x13.00mm, FPM



JH5077

LS856

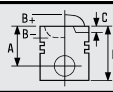
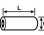
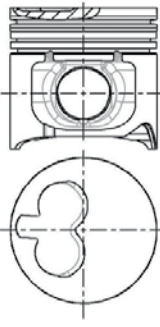
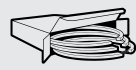



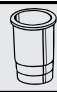
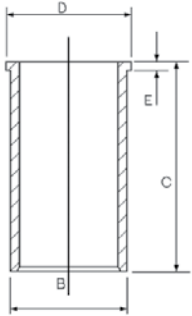

1261

 93.00



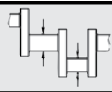
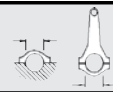




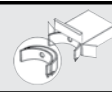
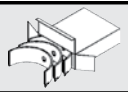
Diesel



8140.61.200	4 Cyl.	21:1	2445cc	53kW (72)PS	TD144	619
8144.61.200	4 Cyl.	22:1	2445cc	53kW (72)PS	TD146	630

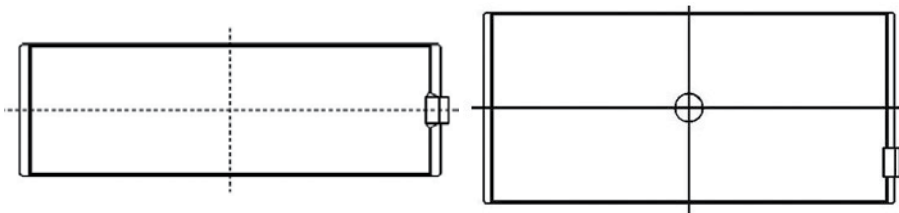
 <p>87-214500-00 STD 87-214508-00 0.60mm</p> <p>A 54.80 B- 2.20 D 89.80  32x75</p> <p>HA RT</p> 	 <p>08-214500-10 STD 08-214508-10 0.60mm</p> <p>3.00  CR P 2.00  P 4.00  CR P</p>	 <p>14-021280-00 DH [11] B 97.03 C 167.00 D 100.00 E 5.00 14-022560-00 D B 96.00 C 167.30 D 98.90 E 5.00</p> 	
--	---	--	---

[11] Nitrided [11] Nitridé [11] Nitrurato [11] Nitrurado

									
BE/PL	4	56.520/56.535	60.333/60.345	24.700	1.870	0.020/0.072	BS	1870CP	71-4130/4 STD 0.25 0.50 0.75
BE/PL	4	56.520/56.535	60.333/60.345	24.700	1.870	0.020/0.070	BS	66575CP	71-4185/4 STD 0.25 0.50 0.75

1870CP

66575CP



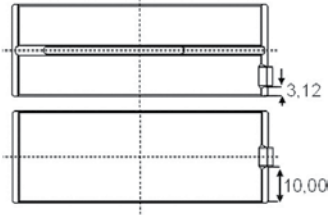
1261

93.00

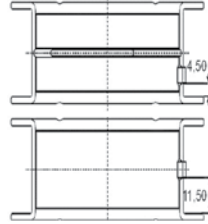
Diesel

MB/HL 1-4	4	76.187/76.200	80.586/80.607	24.990	2.172	0.042/0.100	BS	66571CP	H1049/5 STD 0.25 0.50 0.75
MB/HL 5	1	76.187/76.200	80.586/80.607	31.950	2.172	0.042/0.100	BS	66572CPH	
MB/HL 1-4	4	76.187/76.200	80.586/80.607	24.990	2.172	0.038/0.097	BS	66573CP	H1094/5 STD 0.25
MB/HL 5	1	76.187/76.200	80.586/80.607	31.950	2.172	0.038/0.097	BS	66574CPH	

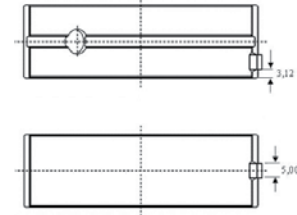
66571CP



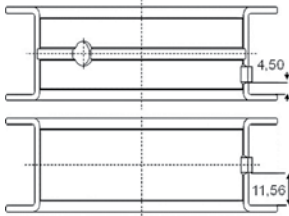
66572CPH



66573CP



66574CPH



SE/PB	1	31.990/31.996	34.895/34.920	30.700			BS	66579YA	55-4186 SEMI
-------	---	---------------	---------------	--------	--	--	----	---------	------------------------



JJ100

(Cork)

JJ519



JJ100

JJ519

NF833 90.00x115.00x13.00mm, FPM

1262

93.00

Diesel



8140.61.200

4 Cyl.

21:1

2445cc

53kW (72)PS

TD7225

620

<p>87-214500-00 STD 87-214508-00 0.60mm</p> <p>A 54.80 B- 2.20 D 89.80 32x75</p> <p>HA RT</p>	<p>08-214500-10 STD 08-214508-10 0.60mm 06/81 →</p> <p>3.00 CR P 2.00 P 4.00 CR P</p> <hr/> <p>08-214400-10 STD 01/78 → 05/81</p> <p>2.00 CR P 2.00 P 4.00 CR P</p>	<p>14-021280-00 DH [11] B 97.03 C 167.00 D 100.00 E 5.00 14-022560-00 D B 96.00 C 167.30 D 98.90 E 5.00 14-028930-00 D B 97.50 C 167.00 D 100.90 E 5.00 14-028931-00 D B 97.58 C 167.00 D 100.90 E 5.00 14-028932-00 D B 97.70 C 167.00 D 100.90 E 5.00</p>	

[11] Nitrided

[11] Nitridé

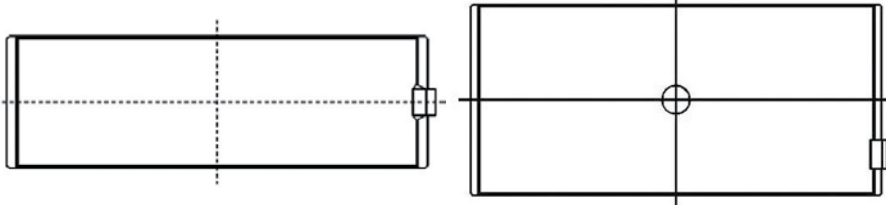
[11] Niturato

[11] Niturado

BE/PL	4	56.520/56.535	60.333/60.345	24.700	1.870	0.020/0.072	BS	1870CP	71-4130/4 STD 0.25 0.50 0.75
BE/PL	4	56.520/56.535	60.333/60.345	24.700	1.870	0.020/0.070	BS	66575CP	71-4185/4 STD 0.25 0.50 0.75

1870CP

66575CP



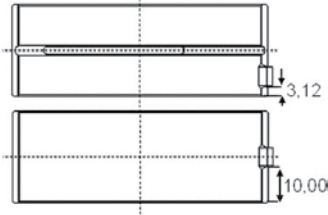
1262

93.00

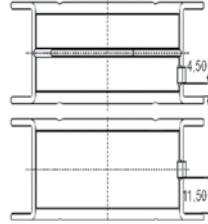
Diesel

MB/HL 1-4	4	76.187/76.200	80.586/80.607	24.990	2.172	0.042/0.100	BS	66571CP	H1049/5 STD 0.25 0.50 0.75
MB/HL 5	1	76.187/76.200	80.586/80.607	31.950	2.172	0.042/0.100	BS	66572CPH	
MB/HL 1-4	4	76.187/76.200	80.586/80.607	24.990	2.172	0.038/0.097	BS	66573CP	H1094/5 STD 0.25
MB/HL 5	1	76.187/76.200	80.586/80.607	31.950	2.172	0.038/0.097	BS	66574CPH	

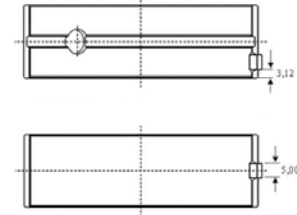
66571CP



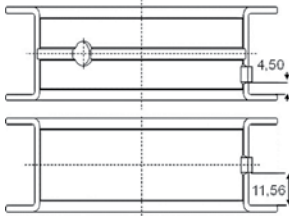
66572CPH



66573CP



66574CPH



SE/PB	1	31.990/31.996	34.895/34.920	30.700		BS	66579YA	55-4186 SEMI
-------	---	---------------	---------------	--------	--	----	---------	------------------------



JJ100
(Cork)



JJ100

NP067 50.00x70.00x10.00mm, FPM
NF833 90.00x115.00x13.00mm, FPM

1263

 93.00

Diesel



8140.61.300

4 Cyl.

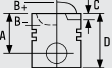
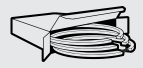
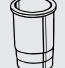
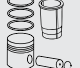
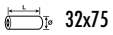
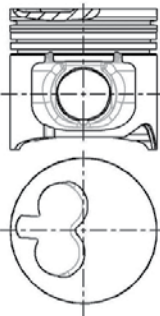






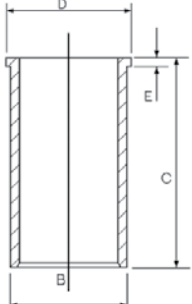
21:1

2445cc

53kW (72)PS

TD20426

622



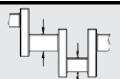






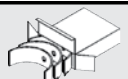
			
<p>87-214500-00 STD 87-214508-00 0.60mm</p> <p>A 54.80 B- 2.20 D 89.80  32x75</p> <p>HA RT</p>		<p>08-214500-10 STD 08-214508-10 0.60mm 06/81 →</p> <p>3.00  CR P 2.00  P 4.00  CR P</p>	<p>14-021280-00 DH [11] B 97.03 C 167.00 D 100.00 E 5.00 14-022560-00 D B 96.00 C 167.30 D 98.90 E 5.00 14-028930-00 D B 97.50 C 167.00 D 100.90 E 5.00 14-028931-00 D B 97.58 C 167.00 D 100.90 E 5.00 14-028932-00 D B 97.70 C 167.00 D 100.90 E 5.00</p>
	<p>08-214400-10 STD 01/78 → 05/81</p> <p>2.00  CR P 2.00  P 4.00  CR P</p>		

[11] Nitrided

[11] Nitridé

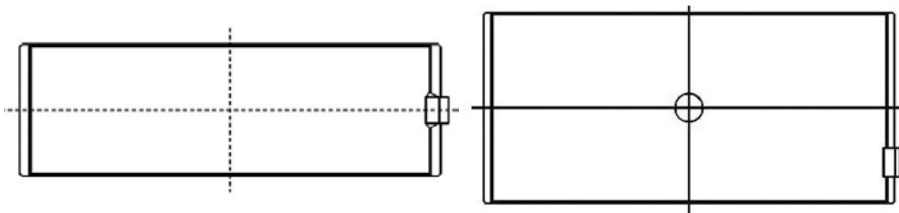
[11] Nitrurato

[11] Nitrurado

									
BE/PL	4	56.520/56.535	60.333/60.345	24.700	1.870	0.020/0.072	BS	1870CP	71-4130/4 STD 0.25 0.50 0.75
10/02 →									
BE/PL	4	56.520/56.535	60.333/60.345	24.700	1.870	0.020/0.070	BS	66575CP	71-4185/4 STD 0.25 0.50 0.75
→09/82									

1870CP



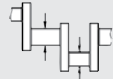
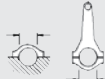





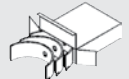
66575CP



1263

 **93.00**

Diesel

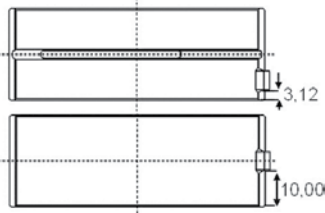
									
MB/HL 1-4	4	76.187/76.200	80.586/80.607	24.990	2.172	0.042/0.100	BS	66571CP	H1049/5 STD 0.25 0.50 0.75
MB/HL 5	1	76.187/76.200	80.586/80.607	31.950	2.172	0.042/0.100	BS	66572CPH	

Mot. → 1846776

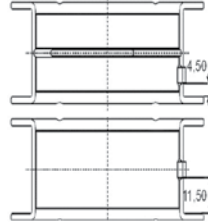
MB/HL 1-4	4	76.187/76.200	80.586/80.607	24.990	2.172	0.038/0.097	BS	66573CP	H1094/5 STD 0.25
MB/HL 5	1	76.187/76.200	80.586/80.607	31.950	2.172	0.038/0.097	BS	66574CPH	

Mot. 1846777 →

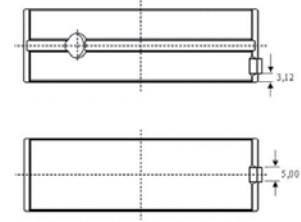
66571CP



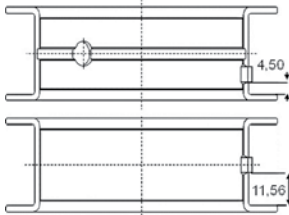
66572CPH



66573CP

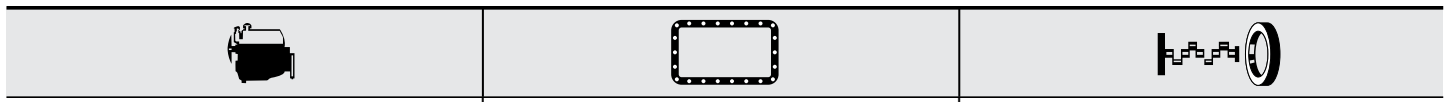


66574CPH

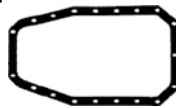


SE/PB	1	31.990/31.996	34.895/34.920	30.700			BS	66579YA	55-4186 SEMI
-------	---	---------------	---------------	--------	--	--	----	---------	------------------------



09/82 →, Mot. 344183 →



JJ100
(Cork)



JJ100

NP067  50.00x70.00x10.00mm, FPM
NF833  90.00x115.00x13.00mm, FPM

1264

93.00

Diesel



8142.61

4 Cyl.

21:1

2445cc

53kW (72)PS

TD1053

623

<p>87-214500-00 87-214508-00</p> <p>STD 0.60mm</p> <p>A 54.80 B- 2.20 D 89.80 32x75</p> <p>HA RT</p>		<p>08-214500-10 STD 08-214508-10 0.60mm 06/81 →</p> <p>3.00 CR P 2.00 P 4.00 CR P</p>	<p>14-021280-00 DH [11] B 97.03 C 167.00 D 100.00 E 5.00 14-022560-00 D B 96.00 C 167.30 D 98.90 E 5.00</p>					
		<p>08-214400-10 STD 01/78 → 05/81</p> <p>2.00 CR P 2.00 P 4.00 CR P</p>						

[11] Nitrided

[11] Nitridé

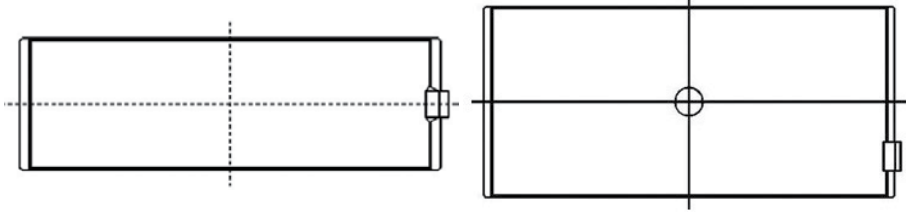
[11] Nitruato

[11] Niturado

BE/PL	4	56.520/56.535	60.333/60.345	24.700	1.870	0.020/0.072	BS	1870CP	71-4130/4 STD 0.25 0.50 0.75
BE/PL	4	56.520/56.535	60.333/60.345	24.700	1.870	0.020/0.070	BS	66575CP	71-4185/4 STD 0.25 0.50 0.75

1870CP



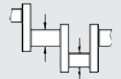
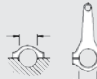






66575CP



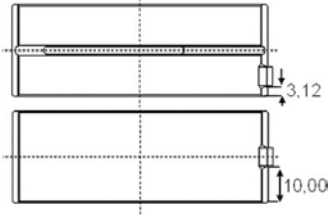
1264

 **93.00**

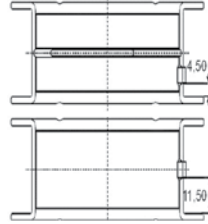
Diesel

									
MB/HL 1-4	4	76.187/76.200	80.586/80.607	24.990	2.172	0.042/0.100	BS	66571CP	H1049/5 STD 0.25 0.50 0.75
MB/HL 5	1	76.187/76.200	80.586/80.607	31.950	2.172	0.042/0.100	BS	66572CPH	
MB/HL 1-4	4	76.187/76.200	80.586/80.607	24.990	2.172	0.038/0.097	BS	66573CP	H1094/5 STD 0.25
MB/HL 5	1	76.187/76.200	80.586/80.607	31.950	2.172	0.038/0.097	BS	66574CPH	

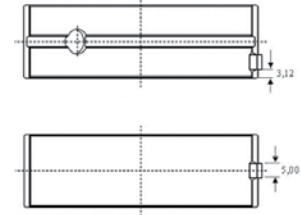
66571CP



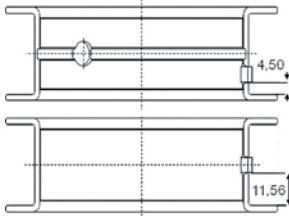
66572CPH



66573CP




66574CPH



SE/PB	1	31.990/31.996	34.895/34.920	30.700		BS	66579YA	55-4186 SEMI
-------	---	---------------	---------------	--------	--	----	---------	------------------------



JJ519

NB946  70.00x90.00x10.00mm, FPM



JJ519

1265

93.00

Diesel



8144.21

4 Cyl.

18:1

2445cc

68kW (92)PS

Turbocharged

TD4419

624

<p>87-245200-30 87-245208-30</p> <p>STD 0.60mm</p> <p>A 59.65 B- 14.80 BØ 51.90 D 97.65 ③ 32x75</p> <p>RT</p>		<p>08-245200-00 STD 08-245208-00 0.60mm</p> <p>3.00 CR P 2.00 P 3.00 CR P</p>	<p>14-021371-00 D B 96.01 C 171.00 D 98.92 E 5.00 14-021372-00 D B 96.05 C 171.00 D 98.92 E 5.00 14-021373-00 D B 96.17 C 171.00 D 98.92 E 5.00 14-021480-00 DH [11] B 97.04 C 171.00 D 100.00 E 5.00</p>	

[11] Nitrided

[11] Nitridé

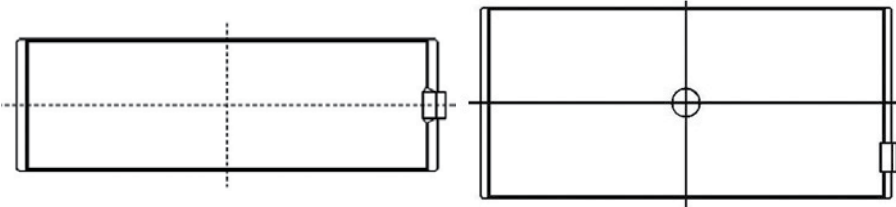
[11] Nitrurato

[11] Nitrurado

<p>BE/PL</p>	<p>4</p>	<p>56.520/56.535</p>	<p>60.333/60.345</p>	<p>24.700</p>	<p>1.870</p>	<p>0.020/0.072</p>	<p>BS</p>	<p>1870CP</p>	<p>71-4130/4 STD 0.25 0.50 0.75</p>
<p>BE/PL</p>	<p>4</p>	<p>56.520/56.535</p>	<p>60.333/60.345</p>	<p>24.700</p>	<p>1.870</p>	<p>0.020/0.070</p>	<p>BS</p>	<p>66575CP</p>	<p>71-4185/4 STD 0.25 0.50 0.75</p>

1870CP



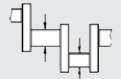
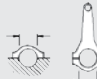





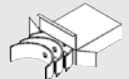
66575CP



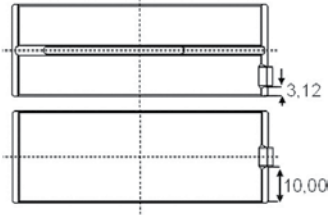
1265

 **93.00**

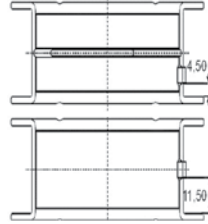
Diesel

									
MB/HL 1-4	4	76.187/76.200	80.586/80.607	24.990	2.172	0.042/0.100	BS	66571CP	H1049/5 STD 0.25 0.50 0.75
MB/HL 5	1	76.187/76.200	80.586/80.607	31.950	2.172	0.042/0.100	BS	66572CPH	
MB/HL 1-4	4	76.187/76.200	80.586/80.607	24.990	2.172	0.038/0.097	BS	66573CP	H1094/5 STD 0.25
MB/HL 5	1	76.187/76.200	80.586/80.607	31.950	2.172	0.038/0.097	BS	66574CPH	

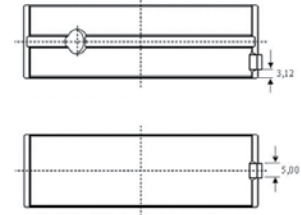
66571CP



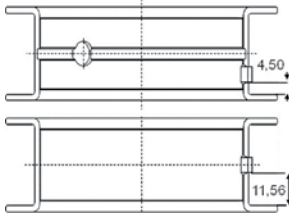
66572CPH



66573CP



66574CPH





SE/PB	1	31.990/31.996	34.895/34.920	30.700			BS	66579YA	55-4186 SEMI
-------	---	---------------	---------------	--------	--	--	----	---------	------------------------



JJ100
(Cork)



JJ100

NB946  70.00x90.00x10.00mm, FPM
NF833  90.00x115.00x13.00mm, FPM

1266

93.00

Diesel



8144.21.220

4 Cyl.

18:1

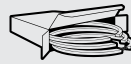
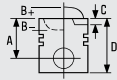
2445cc

68kW (92)PS

Turbocharged

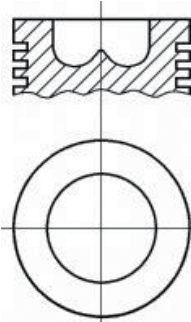
TD6803

626



87-245200-30
87-245208-30

STD
0.60mm



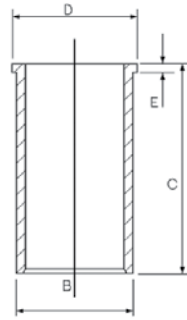
08-245200-00 STD
08-245208-00 0.60mm



A 59.65
B- 14.80
BØ 51.90
D 97.65
32x75

RT

14-021371-00 D
B 96.01 C 171.00 D 98.92 E 5.00
14-021372-00 D
B 96.05 C 171.00 D 98.92 E 5.00
14-021373-00 D
B 96.17 C 171.00 D 98.92 E 5.00
14-021480-00 DH [11]
B 97.04 C 171.00 D 100.00 E 5.00



[11] Nitrided

[11] Nitridé

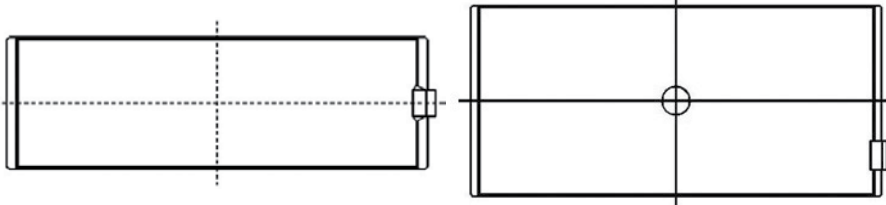
[11] Nitrurato

[11] Nitrurado

BE/PL	4	56.520/56.535	60.333/60.345	24.700	1.870	0.020/0.072	BS	1870CP	71-4130/4 STD 0.25 0.50 0.75
BE/PL	4	56.520/56.535	60.333/60.345	24.700	1.870	0.020/0.070	BS	66575CP	71-4185/4 STD 0.25 0.50 0.75

1870CP

66575CP



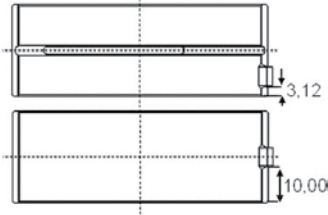
1266

93.00

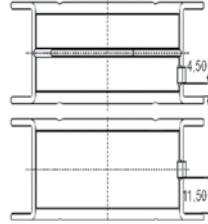
Diesel

MB/HL 1-4	4	76.187/76.200	80.586/80.607	24.990	2.172	0.042/0.100	BS	66571CP	H1049/5 STD 0.25 0.50 0.75
MB/HL 5	1	76.187/76.200	80.586/80.607	31.950	2.172	0.042/0.100	BS	66572CPH	
MB/HL 1-4	4	76.187/76.200	80.586/80.607	24.990	2.172	0.038/0.097	BS	66573CP	H1094/5 STD 0.25
MB/HL 5	1	76.187/76.200	80.586/80.607	31.950	2.172	0.038/0.097	BS	66574CPH	

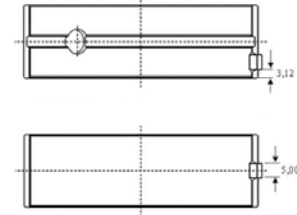
66571CP



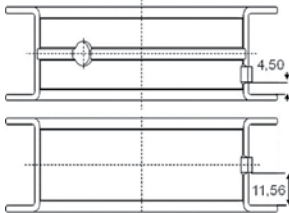
66572CPH



66573CP



66574CPH



SE/PB	1	31.990/31.996	34.895/34.920	30.700		BS	66579YA	55-4186 SEMI
-------	---	---------------	---------------	--------	--	----	---------	------------------------





JJ100
(Cork)

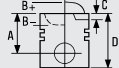
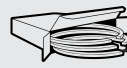
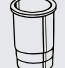
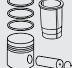
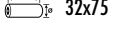
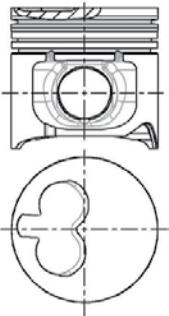



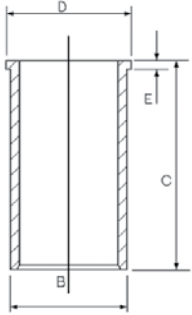


JJ100



NP067 50.00x70.00x10.00mm, FPM
NF833 90.00x115.00x13.00mm, FPM

1267  **93.00 Diesel** 

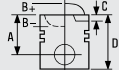
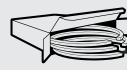
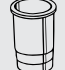
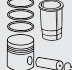
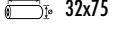
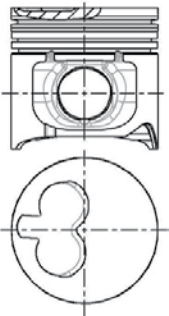






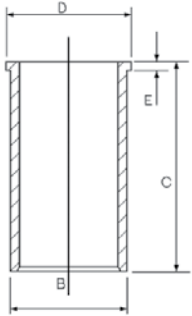
8144.61 4 Cyl. 22:1 2445cc **53kW (72)PS** **FM566 627**

			
<p>87-214500-00 STD 87-214508-00 0.60mm</p> <p>A 54.80 B- 2.20 D 89.80  32x75</p> <p>HA RT</p> 	<p>08-214500-10 STD 08-214508-10 0.60mm</p> <p>3.00  CR P 2.00  P 4.00  CR P</p>	<p>14-021280-00 DH [11] B 97.03 C 167.00 D 100.00 E 5.00 14-022560-00 D B 96.00 C 167.30 D 98.90 E 5.00</p> 	











[11] Nitrided [11] Nitridé [11] Niturato [11] Niturado

1268  **93.00 Diesel** 

8144.61.200 4 Cyl. 22:1 2445cc **53kW (72)PS** **TD6796 628**

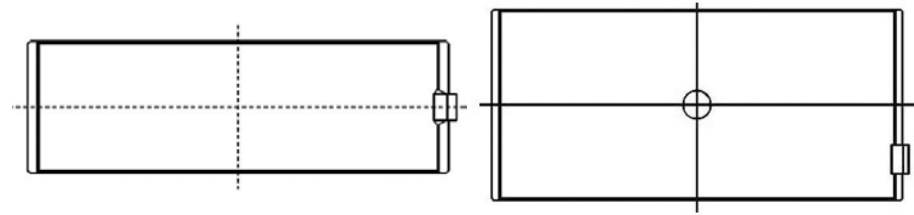
			
<p>87-214500-00 STD 87-214508-00 0.60mm</p> <p>A 54.80 B- 2.20 D 89.80  32x75</p> <p>HA RT</p> 	<p>08-214500-10 STD 08-214508-10 0.60mm 06/81 →</p> <p>3.00  CR P 2.00  P 4.00  CR P</p> <hr/> <p>08-214400-10 STD 01/78 → 05/81</p> <p>2.00  CR P 2.00  P 4.00  CR P</p>	<p>14-021280-00 DH [11] B 97.03 C 167.00 D 100.00 E 5.00 14-022560-00 D B 96.00 C 167.30 D 98.90 E 5.00</p> 	

[11] Nitrided [11] Nitridé [11] Niturato [11] Niturado

									
BE/PL	4	56.520/56.535	60.333/60.345	24.700	1.870	0.020/0.072	BS	1870CP	71-4130/4 STD 0.25 0.50 0.75
BE/PL	4	56.520/56.535	60.333/60.345	24.700	1.870	0.020/0.070	BS	66575CP	71-4185/4 STD 0.25 0.50 0.75

1870CP



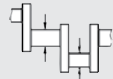
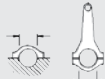






66575CP



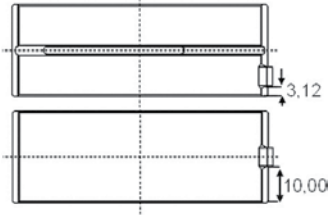
1268

 **93.00**

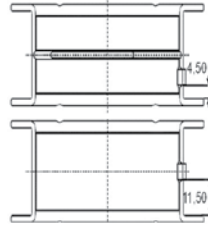
Diesel

									
MB/HL 1-4	4	76.187/76.200	80.586/80.607	24.990	2.172	0.042/0.100	BS	66571CP	H1049/5 STD 0.25 0.50 0.75
MB/HL 5	1	76.187/76.200	80.586/80.607	31.950	2.172	0.042/0.100	BS	66572CPH	
MB/HL 1-4	4	76.187/76.200	80.586/80.607	24.990	2.172	0.038/0.097	BS	66573CP	H1094/5 STD 0.25
MB/HL 5	1	76.187/76.200	80.586/80.607	31.950	2.172	0.038/0.097	BS	66574CPH	

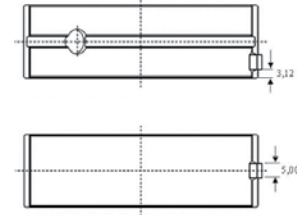
66571CP



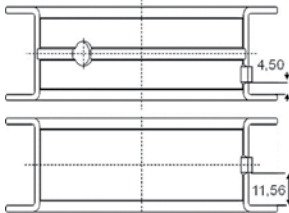
66572CPH



66573CP



66574CPH



SE/PB	1	31.990/31.996	34.895/34.920	30.700			BS	66579YA	55-4186 SEMI
-------	---	---------------	---------------	--------	--	--	----	---------	------------------------



JJ100

(Cork)

JJ519



JJ100

JJ519

NA5055  70.00x90.00x10.00mm, FPM

1269

93.00

Diesel



8144.61.200

4 Cyl.

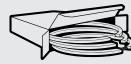
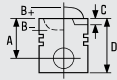
22:1

2445cc

53kW (72)PS

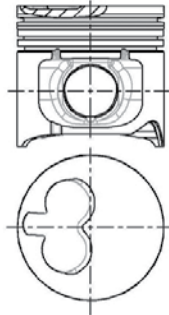
TD20429

629



87-214500-00
87-214508-00

STD
0.60mm



A 54.80
B- 2.20
D 89.80
32x75

HA RT

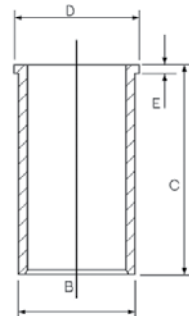
08-214500-10 STD
08-214508-10 0.60mm
06/81 →

3.00 CR P
2.00 P
4.00 CR P

08-214400-10 STD
01/78 → 05/81

2.00 CR P
2.00 P
4.00 CR P

14-021280-00 DH [11]
B 97.03 C 167.00 D 100.00 E 5.00
14-022560-00 D
B 96.00 C 167.30 D 98.90 E 5.00
14-028930-00 D
B 97.50 C 167.00 D 100.90 E 5.00
14-028931-00 D
B 97.58 C 167.00 D 100.90 E 5.00
14-028932-00 D
B 97.70 C 167.00 D 100.90 E 5.00



[11] Nitrided

[11] Nitridé

[11] Niturato

[11] Niturado

BE/PL	4	56.520/56.535	60.333/60.345	24.700	1.870	0.020/0.072	BS	1870CP	71-4130/4 STD 0.25 0.50 0.75

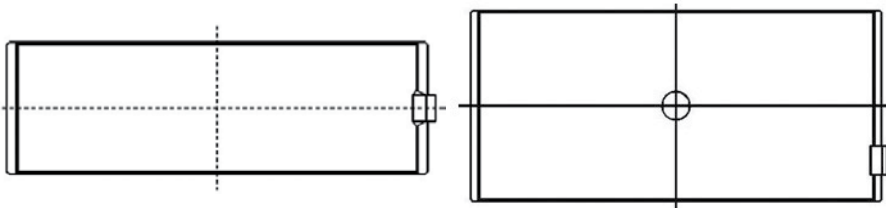
10/02 →

BE/PL	4	56.520/56.535	60.333/60.345	24.700	1.870	0.020/0.070	BS	66575CP	71-4185/4 STD 0.25 0.50 0.75
-------	---	---------------	---------------	--------	-------	-------------	----	---------	---------------------------------

→09/82

1870CP

66575CP





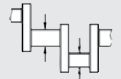
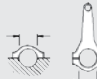






MB/HL 1-4	4	76.187/76.200	80.586/80.607	24.990	2.172	0.042/0.100	BS	66571CP	H1049/5 STD 0.25 0.50 0.75
MB/HL 5	1	76.187/76.200	80.586/80.607	31.950	2.172	0.042/0.100	BS	66572CPH	

Mot. → 1846776

1269

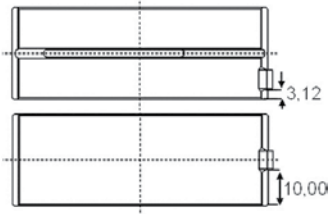
 **93.00**

Diesel

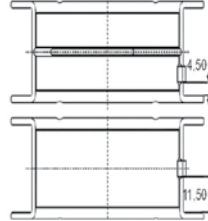
									
MB/HL 1-4	4	76.187/76.200	80.586/80.607	24.990	2.172	0.038/0.097	BS	66573CP	H1094/5 STD 0.25
MB/HL 5	1	76.187/76.200	80.586/80.607	31.950	2.172	0.038/0.097	BS	66574CPH	

Mot.1846777 →

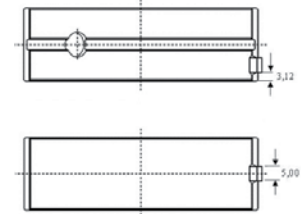
66571CP



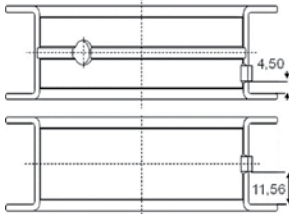
66572CPH



66573CP



66574CPH



SE/PB	1	31.990/31.996	34.895/34.920	30.700			BS	66579YA	55-4186 SEMI
-------	---	---------------	---------------	--------	--	--	----	---------	------------------------

09/82 →, Mot.344183 →

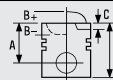



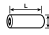






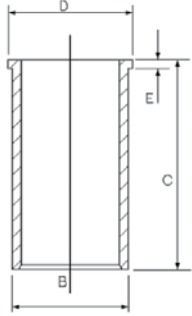
1270

 **93.00**

Diesel



8144.61.500.81 4 Cyl. 22:1 2445cc **66kW (90)PS** Turbocharged TD1054 **631**

			
<p>87-214500-00 STD</p> <p>87-214508-00 0.60mm</p> <p>A 54.80</p> <p>B- 2.20</p> <p>D 89.80</p> <p> 32x75</p> <p>HA RT</p>	<p>08-214500-10 STD</p> <p>08-214508-10 0.60mm</p> <p>06/81 →</p> <p>3.00  CR P</p> <p>2.00  P</p> <p>4.00  CR P</p> <hr/> <p>08-214400-10 STD</p> <p>01/78 → 05/81</p> <p>2.00  CR P</p> <p>2.00  P</p> <p>4.00  CR P</p>	<p>14-021280-00 DH [11]</p> <p>B 97.03 C 167.00 D 100.00 E 5.00</p> <p>14-022560-00 D</p> <p>B 96.00 C 167.30 D 98.90 E 5.00</p> 	

[11] Nitrided



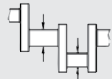
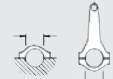





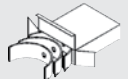
[11] Nitridé

[11] Niturato

[11] Niturado

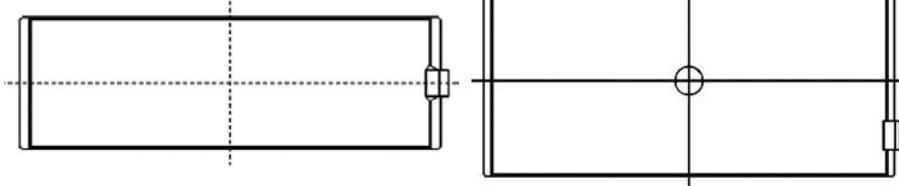
...Continued

1270  **93.00** **Diesel**

									
BE/PL	4	56.520/56.535	60.333/60.345	24.700	1.870	0.020/0.072	BS	1870CP	71-4130/4 STD 0.25 0.50 0.75
BE/PL	4	56.520/56.535	60.333/60.345	24.700	1.870	0.020/0.070	BS	66575CP	71-4185/4 STD 0.25 0.50 0.75

1870CP

66575CP

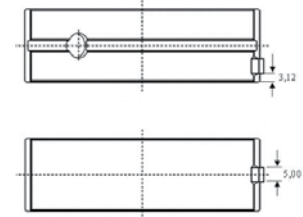
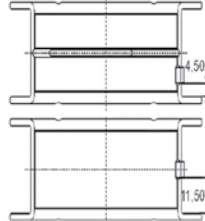
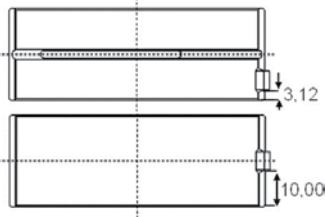


MB/HL 1-4	4	76.187/76.200	80.586/80.607	24.990	2.172	0.042/0.100	BS	66571CP	H1049/5 STD 0.25 0.50 0.75
MB/HL 5	1	76.187/76.200	80.586/80.607	31.950	2.172	0.042/0.100	BS	66572CPH	
MB/HL 1-4	4	76.187/76.200	80.586/80.607	24.990	2.172	0.038/0.097	BS	66573CP	H1094/5 STD 0.25
MB/HL 5	1	76.187/76.200	80.586/80.607	31.950	2.172	0.038/0.097	BS	66574CPH	

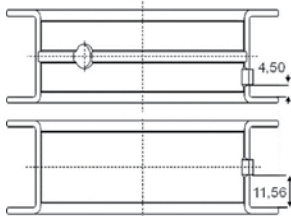
66571CP

66572CPH

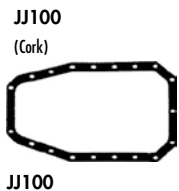
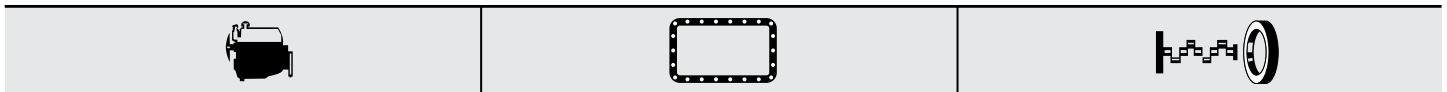
66573CP





66574CPH



SE/PB	1	31.990/31.996	34.895/34.920	30.700			BS	66579YA	55-4186 SEMI
-------	---	---------------	---------------	--------	--	--	----	---------	------------------------



JJ100

NP067  50.00x70.00x10.00mm, FPM
NF833  90.00x115.00x13.00mm, FPM

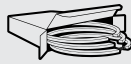
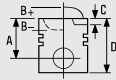
1271

 93.00

Diesel



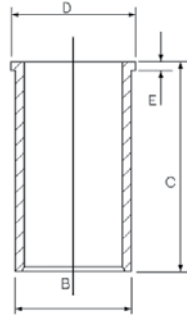
8144.91 4 Cyl. 22:1 2445cc 74kW (101)PS Turbocharged TD4600 633





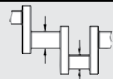
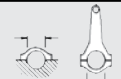






08-245200-00 STD
08-245208-00 0.60mm

3.00  CR P
 2.00  P
 3.00  CR P

14-021280-00 DH [11]
 B 97.03 C 167.00 D 100.00 E 5.00
14-028930-00 D
 B 97.50 C 167.00 D 100.90 E 5.00
14-028931-00 D
 B 97.58 C 167.00 D 100.90 E 5.00
14-028932-00 D
 B 97.70 C 167.00 D 100.90 E 5.00

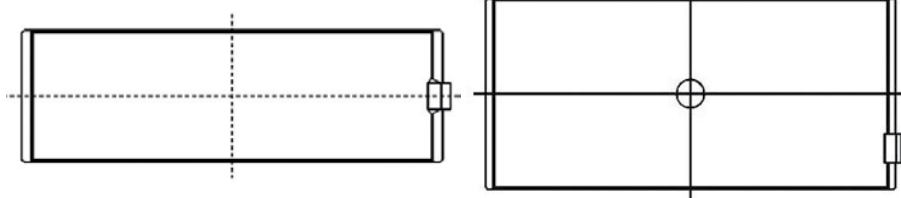


[11] Nitrided [11] Nitridé [11] Nitruato [11] Nitruado

									
BE/PL	4	56.520/56.535	60.333/60.345	24.700	1.870	0.020/0.072	BS	1870CP	71-4130/4 STD 0.25 0.50 0.75
BE/PL	4	56.520/56.535	60.333/60.345	24.700	1.870	0.020/0.070	BS	66575CP	71-4185/4 STD 0.25 0.50 0.75



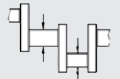
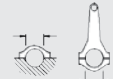






1870CP

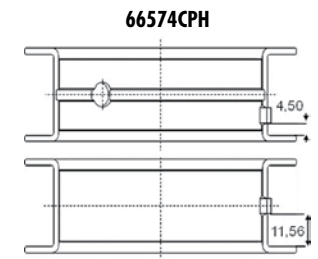
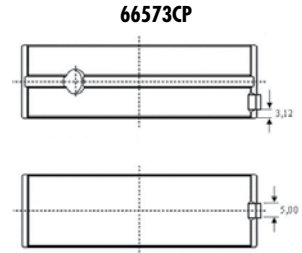
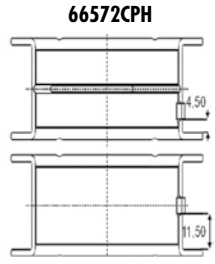
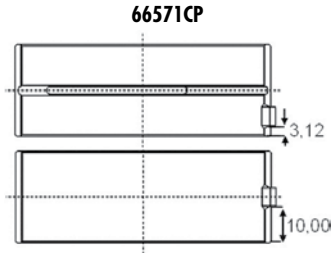
66575CP



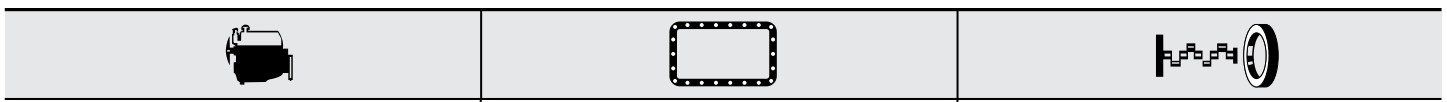
...Continued

1271  **93.00** Diesel



									
MB/HL 1-4	4	76.187/76.200	80.586/80.607	24.990	2.172	0.042/0.100	BS	66571CP	H1049/5 STD 0.25 0.50 0.75
MB/HL 5	1	76.187/76.200	80.586/80.607	31.950	2.172	0.042/0.100	BS	66572CPH	
MB/HL 1-4	4	76.187/76.200	80.586/80.607	24.990	2.172	0.038/0.097	BS	66573CP	H1094/5 STD 0.25
MB/HL 5	1	76.187/76.200	80.586/80.607	31.950	2.172	0.038/0.097	BS	66574CPH	

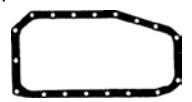


SE/PB	1	31.990/31.996	34.895/34.920	30.700			BS	66579YA	55-4186 SEMI
-------	---	---------------	---------------	--------	--	--	----	---------	------------------------



JJ317

NP068  55.00x70.00x8.00mm, FPM
NF853  100.00x118.00x10.00mm, FPM



JJ317

1272

93.00

Diesel



8144.91.2000

4 Cyl.

22:1

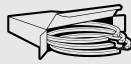
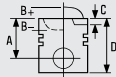
2445cc

74kW (101)PS

Turbo Intercooled

TD1058

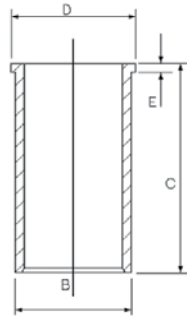
634



08-245200-00 STD
08-245208-00 0.60mm

3.00 CR P
2.00 P
3.00 CR P

14-021280-00 DH [11]
B 97.03 C 167.00 D 100.00 E 5.00
14-022560-00 D
B 96.00 C 167.30 D 98.90 E 5.00

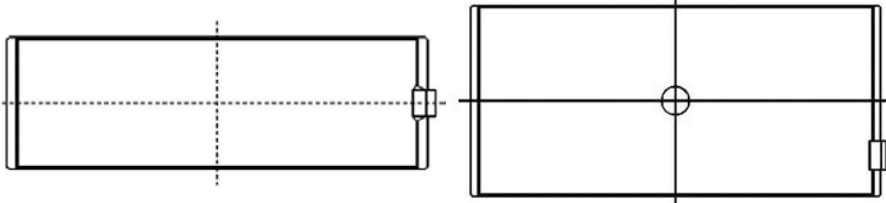


[11] Nitrided [11] Nitridé [11] Niturato [11] Niturado

BE/PL	4	56.520/56.535	60.333/60.345	24.700	1.870	0.020/0.072	BS	1870CP	71-4130/4 STD 0.25 0.50 0.75
BE/PL	4	56.520/56.535	60.333/60.345	24.700	1.870	0.020/0.070	BS	66575CP	71-4185/4 STD 0.25 0.50 0.75

1870CP

66575CP

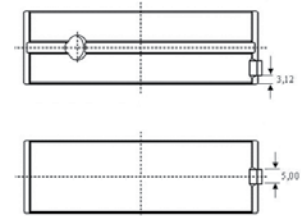
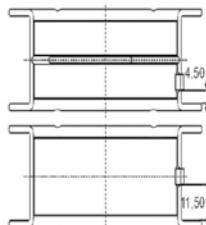
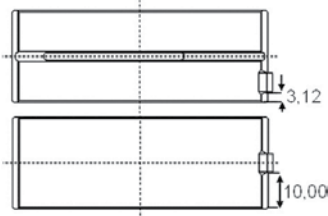


MB/HL 1-4	4	76.187/76.200	80.586/80.607	24.990	2.172	0.042/0.100	BS	66571CP	H1049/5 STD 0.25 0.50 0.75
MB/HL 5	1	76.187/76.200	80.586/80.607	31.950	2.172	0.042/0.100	BS	66572CPH	
MB/HL 1-4	4	76.187/76.200	80.586/80.607	24.990	2.172	0.038/0.097	BS	66573CP	H1094/5 STD 0.25
MB/HL 5	1	76.187/76.200	80.586/80.607	31.950	2.172	0.038/0.097	BS	66574CPH	

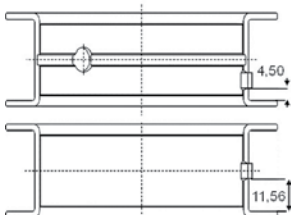
66571CP

66572CPH

66573CP











66574CPH

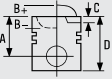










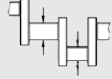
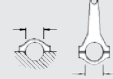





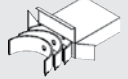
SE/PB	1	31.990/31.996	34.895/34.920	30.700			BS	66579YA	55-4186 SEMI
-------	---	---------------	---------------	--------	--	--	----	---------	------------------------



...Continued

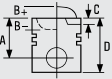




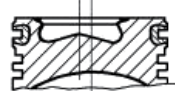
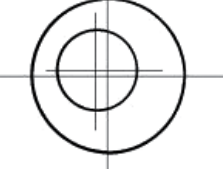



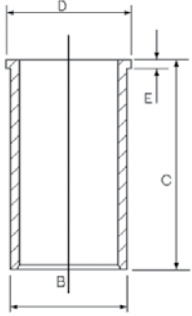
1272	 93.00	Diesel
		
		NB946  70.00x90.00x10.00mm, FPM NF853  100.00x118.00x10.00mm, FPM

1273	 93.00	Diesel			
B 25.637	4 Cyl.	22.25:1	2498cc	51kW (69)PS	TD21463

			
	08-152700-00 STD 08-152707-00 0.50mm 2.50  MOL P 2.00  P 4.00  CR P		

									
BE/PL	4	53.990/54.005	57.675/57.685	24.500	1.826	0.020/0.069	AL-LF	66440RAA	01-4181/4 STD 0.25 0.50
MB/HL 1-5	5	67.035/67.050	71.695/71.705	28.700	2.317	0.020/0.061	AL-LF	66716RAA	H1089/5 STD 0.25 0.50
TW/A	4	75.500/75.750	89.000/89.100		3.140		BS	66716BF	A213/4 STD
SE/PB	1	30.008/30.014	33.000/33.033	31.900			BS	66444X	55-4393 STD

1274	 93.00	Diesel			
8140.07	4 Cyl.	19:1	2499cc	55kW (75)PS	FM19101

			
87-425000-00 STD 87-425008-00 0.60mm A 58.75 B- 16.90 BØ 40.00 D 96.75  32x75 RT	 	08-425000-00 STD 08-425008-00 0.60mm 3.00  CR P 2.00  P 3.00  CR P	14-021371-00 D B 96.01 C 171.00 D 98.92 E 5.00 14-021372-00 D B 96.05 C 171.00 D 98.92 E 5.00 14-021373-00 D B 96.17 C 171.00 D 98.92 E 5.00 14-021480-00 DH [11] B 97.04 C 171.00 D 100.00 E 5.00 

[11] Nitrided

[11] Nitridé

[11] Nitrurato

[11] Niturado

1275

 93.00

Diesel



8140.07.2700

4 Cyl.

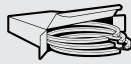
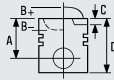
18:1

2499cc

55kW (75)PS

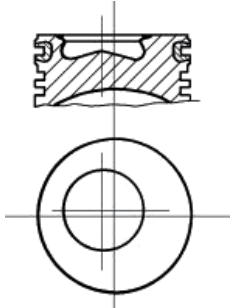
TD1700

635



87-425000-00
87-425008-00

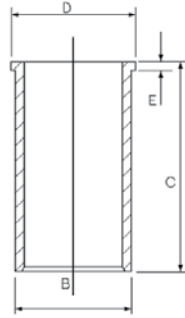
STD
0.60mm



08-425000-00 STD
08-425008-00 0.60mm



14-021371-00 D
B 96.01 C 171.00 D 98.92 E 5.00
14-021372-00 D
B 96.05 C 171.00 D 98.92 E 5.00
14-021373-00 D
B 96.17 C 171.00 D 98.92 E 5.00
14-021480-00 DH [11]
B 97.04 C 171.00 D 100.00 E 5.00



A 58.75
B- 16.90
BØ 40.00
D 96.75
32x75



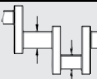
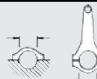






RT

[11] Nitrided

[11] Nitridé

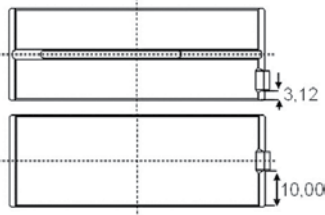
[11] Nitruato

[11] Nitruado

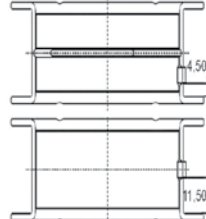
									
BE/PL	4	56.520/56.535	60.333/60.345	24.700	1.870	0.020/0.072	BS	1870CP	71-4130/4 STD 0.25 0.50 0.75
MB/HL 1-4	4	76.187/76.200	80.586/80.607	24.990	2.172	0.042/0.100	BS	66571CP	H1049/5 STD 0.25 0.50 0.75
MB/HL 5	1	76.187/76.200	80.586/80.607	31.950	2.172	0.042/0.100	BS	66572CPH	
→12/92, Mot.→1846776									
MB/HL 1-4	4	76.187/76.200	80.586/80.607	24.990	2.172	0.038/0.097	BS	66573CP	H1094/5 STD 0.25
MB/HL 5	1	76.187/76.200	80.586/80.607	31.950	2.172	0.038/0.097	BS	66574CPH	

Mot.1846777→

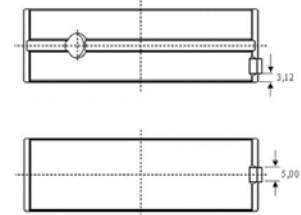
66571CP



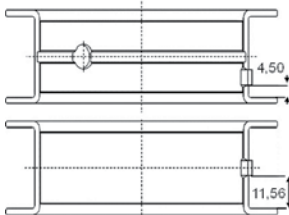
66572CPH



66573CP















66574CPH

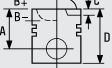
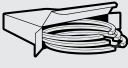
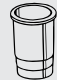

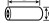
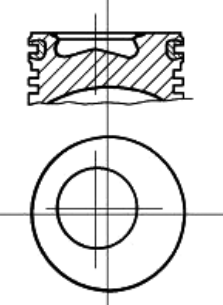
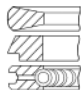
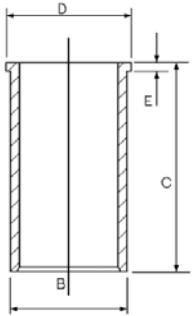


SE/PB	1	31.990/31.996	34.895/34.920	30.700			BS	66579YA	55-4186 SEMI
-------	---	---------------	---------------	--------	--	--	----	---------	------------------------

...Continued

1275	 93.00	Diesel
		
	<p>JH5178 Soft Material Gasket JJ519</p> <div style="display: flex; justify-content: space-around;">   </div> <p style="display: flex; justify-content: space-around;">JH5178 JJ519</p>	<p>NP067  50.00x70.00x10.00mm, FPM NF883  114.00x177.00x13.00mm, FPM NF885  70.00x179.00x16.00mm, FPM NF886  100.00x179.00x15.80mm, FPM</p>

1276	 93.00	Diesel	
8140.07.2701	4 Cyl.	18:1	2499cc
		55kW (75)PS	TD1701 636

			
<p>87-425000-00 STD 87-425008-00 0.60mm</p> <div style="display: flex; align-items: center;"> <div style="margin-right: 20px;"> <p>A 58.75 B- 16.90 BØ 40.00 D 96.75  32x75</p> </div>  </div> <p>RT</p>	<p>08-425000-00 STD 08-425008-00 0.60mm</p> <div style="display: flex; align-items: center;"> <div style="margin-right: 20px;"> <p>3.00 2.00 3.00</p>  </div> <div> <p>CR P P CR P</p> </div> </div> <p>[11] Nitruato [11] Niturado</p>	<p>14-021371-00 D B 96.01 C 171.00 D 98.92 E 5.00 14-021372-00 D B 96.05 C 171.00 D 98.92 E 5.00 14-021373-00 D B 96.17 C 171.00 D 98.92 E 5.00 14-021480-00 DH [11] B 97.04 C 171.00 D 100.00 E 5.00</p> <div style="text-align: center;">  </div>	

[11] Nitrided

[11] Nitridé



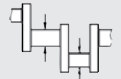
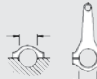






[11] Nitruato

[11] Niturado

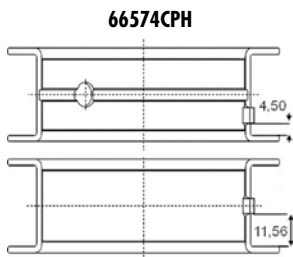
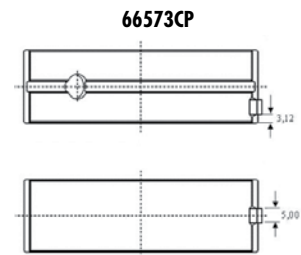
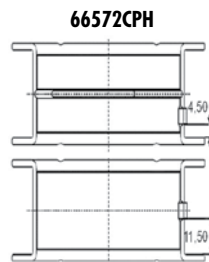
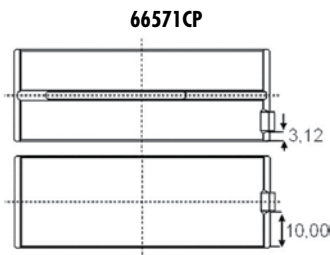
1276

 **93.00**

Diesel

									
BE/PL	4	56.520/56.535	60.333/60.345	24.700	1.870	0.020/0.072	BS	1870CP	71-4130/4 STD 0.25 0.50 0.75
MB/HL 1-4	4	76.187/76.200	80.586/80.607	24.990	2.172	0.042/0.100	BS	66571CP	H1049/5 STD 0.25 0.50 0.75
MB/HL 5	1	76.187/76.200	80.586/80.607	31.950	2.172	0.042/0.100	BS	66572CPH	
Mot. → 1846776									
MB/HL 1-4	4	76.187/76.200	80.586/80.607	24.990	2.172	0.038/0.097	BS	66573CP	H1094/5 STD 0.25
MB/HL 5	1	76.187/76.200	80.586/80.607	31.950	2.172	0.038/0.097	BS	66574CPH	

Mot. 1846777 →







SE/PB	1	31.990/31.996	34.895/34.920	30.700			BS	66579YA	55-4186 SEMI
-------	---	---------------	---------------	--------	--	--	----	---------	------------------------







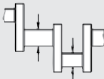
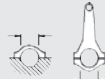





JJ100
(Cork)



JJ100

- NP067**  50.00x70.00x10.00mm, FPM
- NF883**  114.00x177.00x13.00mm, FPM
- NF885**  70.00x179.00x16.00mm, FPM
- NF886**  100.00x179.00x15.80mm, FPM

1277	 93.00	Diesel					
8140.07.2710	4 Cyl.	18:1	2499cc	55kW (75)PS		TD27358	613
8140.07.2711	4 Cyl.	18:1	2499cc	55kW (75)PS		TD27359	613
8140.07.2713	4 Cyl.	18:1	2499cc	55kW (75)PS		TD27360	
8140.07.3711 Euro 1	4 Cyl.	19:1	2499cc	53kW (72)PS		TD27365	613
8140.07.3712 Euro 1	4 Cyl.	19:1	2499cc	53kW (72)PS		TD27366	613
8140.07.3713 Euro 1	4 Cyl.	19:1	2499cc	53kW (72)PS		TD27367	613
8140.27.215	4 Cyl.	18.5:1	2499cc	76kW (103)PS	Turbocharged	TD27387	639
8140.27R.2780	4 Cyl.	18:1	2499cc	67-70kW (91-95)PS	Turbocharged	TD27393	
8140.27R.2786	4 Cyl.	18:1	2499cc	67-70kW (91-95)PS	Turbocharged	TD27394	646
8140.27R.2787	4 Cyl.	18:1	2499cc	67-70kW (91-95)PS	Turbocharged	TD27395	
8140.27S.2701	4 Cyl.	18:1	2499cc	76kW (103)PS	Turbocharged	TD27396	639
8140.27S.2710	4 Cyl.	18:1	2499cc	76kW (103)PS	Turbocharged	TD27397	639
8140.27S.2711	4 Cyl.	18:1	2499cc	76kW (103)PS	Turbocharged	TD27398	639
8140.27S.2720	4 Cyl.	18:1	2499cc	76kW (103)PS	Turbocharged	TD27399	639
8140.27S.2721	4 Cyl.	18:1	2499cc	76kW (103)PS	Turbocharged	TD27400	639
8140.27S.2730	4 Cyl.	18:1	2499cc	76kW (103)PS	Turbocharged	TD27401	639
8140.27S.2731	4 Cyl.	18:1	2499cc	76kW (103)PS	Turbocharged	TD27402	639
8140.27S.2750	4 Cyl.	18:1	2499cc	76kW (103)PS	Turbocharged	TD27403	639
8140.27S.2751	4 Cyl.	18:1	2499cc	76kW (103)PS	Turbocharged	TD27404	
8140.27S.2760	4 Cyl.	18:1	2499cc	76kW (103)PS	Turbocharged	TD27405	648
8140.27S.2761	4 Cyl.	18:1	2499cc	76kW (103)PS	Turbocharged	TD27406	649
8140.27S.2770	4 Cyl.	18:1	2499cc	76kW (103)PS	Turbocharged	TD27407	639
8140.27S.2771	4 Cyl.	18:1	2499cc	76kW (103)PS	Turbocharged	TD27408	639
8140.27S.2811	4 Cyl.	18:1	2499cc	76kW (103)PS	Turbocharged	TD27409	639
8140.27S.3700	4 Cyl.	18.5:1	2499cc	77kW (104)PS	Turbocharged	TD27410	
8140.27S.3701	4 Cyl.	18.5:1	2499cc	77kW (104)PS	Turbocharged	TD27411	639
8140.27S.3711	4 Cyl.	18.5:1	2499cc	77kW (104)PS	Turbocharged	TD27412	639
8140.27S.3720	4 Cyl.	18.5:1	2499cc	77kW (104)PS	Turbocharged	TD27413	639
8140.27S.3721	4 Cyl.	18.5:1	2499cc	77kW (104)PS	Turbocharged	TD27414	639
8140.27S.3750	4 Cyl.	18.5:1	2499cc	77kW (104)PS	Turbocharged	TD27415	639
8140.27S.3751	4 Cyl.	18.5:1	2499cc	77kW (104)PS	Turbocharged	TD27416	639
8140.27S.3760	4 Cyl.	18.5:1	2499cc	77kW (104)PS	Turbocharged	TD27419	639
8140.27S.3761	4 Cyl.	18.5:1	2499cc	77kW (104)PS	Turbocharged	TD27420	639
8140.27S.3770	4 Cyl.	18.5:1	2499cc	77kW (104)PS	Turbocharged	TD27422	648
8140.27S.3771	4 Cyl.	18.5:1	2499cc	77kW (104)PS	Turbocharged	TD27423	639
8140.27S.3780	4 Cyl.	18.5:1	2499cc	77kW (104)PS	Turbocharged	TD27424	639
8140.27S.3781	4 Cyl.	18.5:1	2499cc	77kW (104)PS	Turbocharged	TD27425	
8140.27S.3811	4 Cyl.	18.5:1	2499cc	77kW (104)PS	Turbocharged	TD27426	649



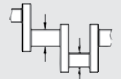
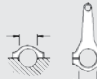






									
BE/PL	4	56.520/56.535	60.333/60.345	24.700	1.870	0.020/0.072	BS	1870CP	
MB/HL 1-4	4	76.187/76.200	80.586/80.607	24.990	2.172	0.042/0.100	BS	66571CP	
MB/HL 5	1	76.187/76.200	80.586/80.607	31.950	2.172	0.042/0.100	BS	66572CPH	

Mot. → 1846776

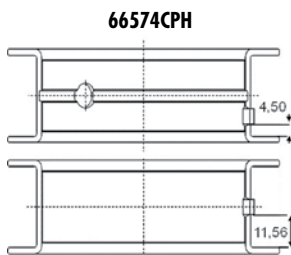
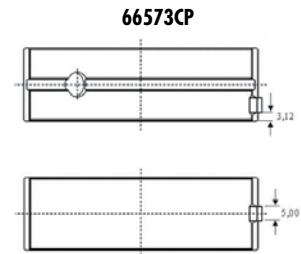
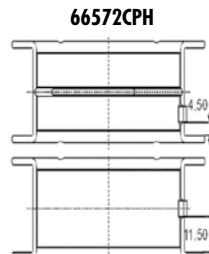
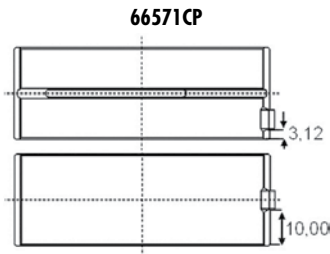
FIAT GROUP

...Continued

1277 93.00 Diesel

									
MB/HL 1-4	4	76.187/76.200	80.586/80.607	24.990	2.172	0.038/0.097	BS	66573CP	H1094/5 STD 0.25
MB/HL 5	1	76.187/76.200	80.586/80.607	31.950	2.172	0.038/0.097	BS	66574CPH	



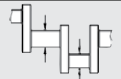
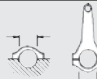






Mot.1846777 →



SE/PB	1	31.990/31.996	34.895/34.920	30.700			BS	66579YA	55-4186 SEMI
-------	---	---------------	---------------	--------	--	--	----	---------	------------------------

1278 93.00 Diesel



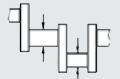
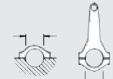






8140.07.2712 4 Cyl. 18:1 2499cc 55kW (75)PS TD1702 **637**

									
BE/PL	4	56.520/56.535	60.333/60.345	24.700	1.870	0.020/0.072	BS	1870CP	71-4130/4 STD 0.25 0.50 0.75
MB/HL 1-4	4	76.187/76.200	80.586/80.607	24.990	2.172	0.042/0.100	BS	66571CP	H1049/5 STD 0.25 0.50 0.75
MB/HL 5	1	76.187/76.200	80.586/80.607	31.950	2.172	0.042/0.100	BS	66572CPH	

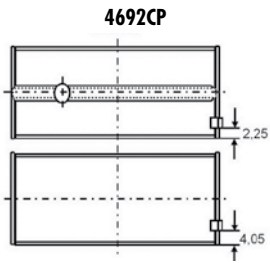
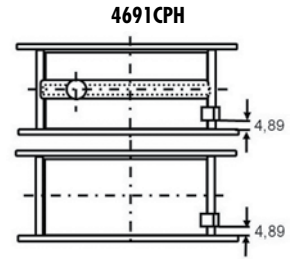
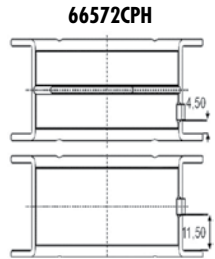
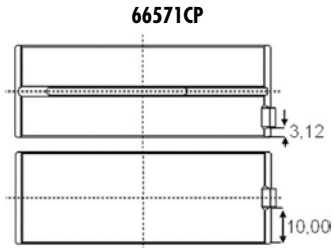
01/93 → 12/94




...Continued

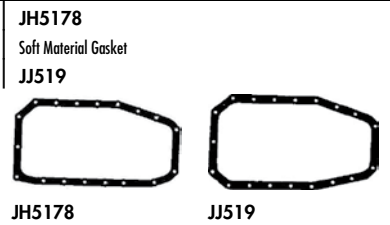
1278  **93.00 Diesel**


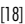
									
MB/HL 5	1	86.182/86.208	90.588/90.614	30.950	2.164	0.052/0.129	BS	4691CPH	H1104/5 STD 0.25 0.50
MB/HL 1-4	4	80.182/80.208	84.588/84.614	23.800	2.164	0.052/0.129	BS	4692CP	

01/95 →



		
---	---	---



NP067  50.00x70.00x10.00mm, FPM
NA5305  [18]
01/01 →

[18] Outer Diameter 1 [mm]: 105.00

[18] Diamètre extérieur 1 [mm]: 105.00

[18] Diametro esterno 1 [mm]: 105.00

[18] Diámetro exterior 1[mm]: 105.00

1279

 93.00

Diesel



8140.07.3700 Euro 1

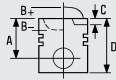
4 Cyl.

19:1

2499cc

53kW (72)PS

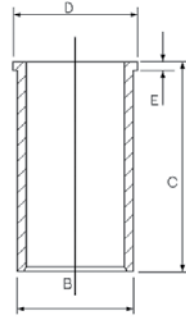
TD27364



08-425000-00 STD
08-425008-00 0.60mm

3.00  CR P
2.00  P
3.00  CR P

14-021371-00 D
B 96.01 C 171.00 D 98.92 E 5.00
14-021372-00 D
B 96.05 C 171.00 D 98.92 E 5.00
14-021373-00 D
B 96.17 C 171.00 D 98.92 E 5.00
14-021480-00 DH [11]
B 97.04 C 171.00 D 100.00 E 5.00



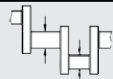
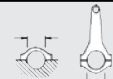





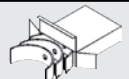


[11] Nitrided

[11] Nitridé

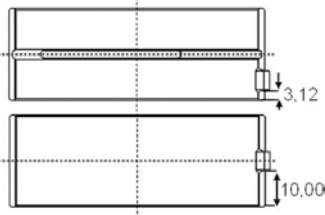
[11] Nitrurato

[11] Nitrado

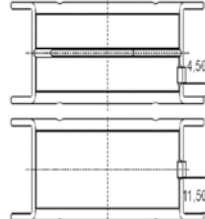
									
BE/PL	4	56.520/56.535	60.333/60.345	24.700	1.870	0.020/0.072	BS	1870CP	71-4130/4 STD 0.25 0.50 0.75
MB/HL 1-4	4	76.187/76.200	80.586/80.607	24.990	2.172	0.042/0.100	BS	66571CP	H1049/5 STD 0.25 0.50 0.75
MB/HL 5	1	76.187/76.200	80.586/80.607	31.950	2.172	0.042/0.100	BS	66572CPH	
Mot. → 1846776									
MB/HL 1-4	4	76.187/76.200	80.586/80.607	24.990	2.172	0.038/0.097	BS	66573CP	H1094/5 STD 0.25
MB/HL 5	1	76.187/76.200	80.586/80.607	31.950	2.172	0.038/0.097	BS	66574CPH	

Mot. 1846777 →

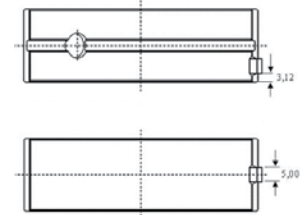
66571CP



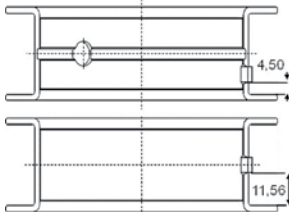
66572CPH



66573CP



66574CPH



SE/PB	1	31.990/31.996	34.895/34.920	30.700			BS	66579YA	55-4186 SEMI
-------	---	---------------	---------------	--------	--	--	----	---------	------------------------

1280

93.00

Diesel



8140.07.3710 Euro 1

4 Cyl.

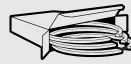
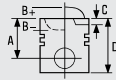
19:1

2499cc

53kW (72)PS

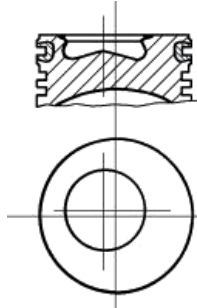
TD20418

638



87-425000-00
87-425008-00

STD
0.60mm



A 58.75
B- 16.90
BØ 40.00
D 96.75
E 32x75

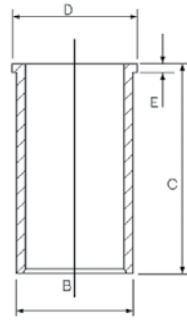
RT

08-425000-00
08-425008-00

STD
0.60mm

3.00 CR P
2.00 P
3.00 CR P

14-021371-00 D
B 96.01 C 171.00 D 98.92 E 5.00
14-021372-00 D
B 96.05 C 171.00 D 98.92 E 5.00
14-021373-00 D
B 96.17 C 171.00 D 98.92 E 5.00
14-021480-00 DH [11]
B 97.04 C 171.00 D 100.00 E 5.00



[11] Nitrided

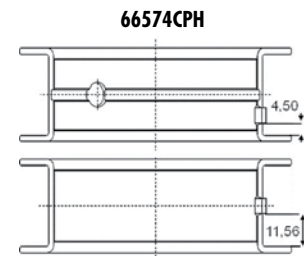
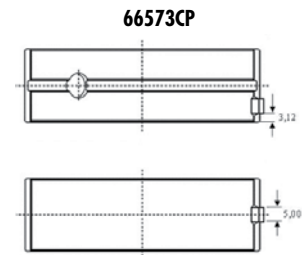
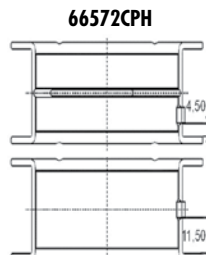
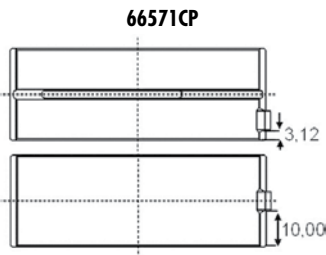
[11] Nitridé

[11] Niturato

[11] Niturado

BE/PL	4	56.520/56.535	60.333/60.345	24.700	1.870	0.020/0.072	BS	1870CP	71-4130/4 STD 0.25 0.50 0.75
MB/HL 1-4	4	76.187/76.200	80.586/80.607	24.990	2.172	0.042/0.100	BS	66571CP	H1049/5 STD 0.25 0.50 0.75
MB/HL 5	1	76.187/76.200	80.586/80.607	31.950	2.172	0.042/0.100	BS	66572CPH	
Mot. → 1846776									
MB/HL 1-4	4	76.187/76.200	80.586/80.607	24.990	2.172	0.038/0.097	BS	66573CP	H1094/5 STD 0.25
MB/HL 5	1	76.187/76.200	80.586/80.607	31.950	2.172	0.038/0.097	BS	66574CPH	




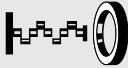

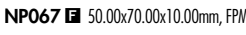
Mot. 1846777 →



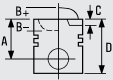


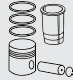



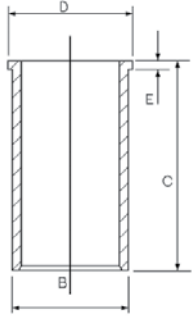




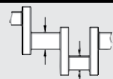







SE/PB	1	31.990/31.996	34.895/34.920	30.700			BS	66579YA	55-4186 SEMI
-------	---	---------------	---------------	--------	--	--	----	---------	-----------------

FIAT GROUP

...Continued

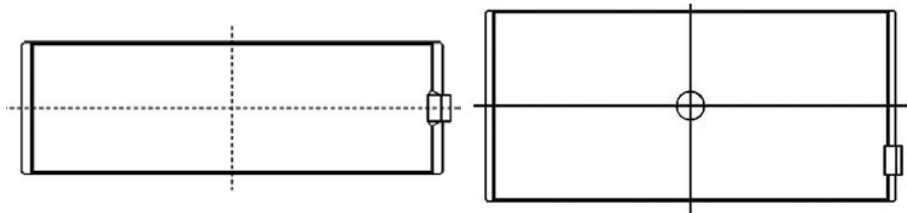
1280	 93.00	Diesel
		
	JJ519 	NP067  50.00x70.00x10.00mm, FPM
	JJ519	

1281	 93.00	Diesel					
8140.27.218	4 Cyl.	18.5:1	2499cc	76kW (103)PS	Turbocharged	TD26268	639
							
	08-245200-00 STD 08-245208-00 0.60mm 3.00  CR P 2.00  P 3.00  CR P	14-021371-00 D B 96.01 C 171.00 D 98.92 E 5.00 14-021372-00 D B 96.05 C 171.00 D 98.92 E 5.00 14-021373-00 D B 96.17 C 171.00 D 98.92 E 5.00 14-021480-00 DH [11] B 97.04 C 171.00 D 100.00 E 5.00					
							
[11] Nitrided	[11] Nitridé	[11] Niturato	[11] Niturado				

									
BE/PL	4	56.520/56.535	60.333/60.345	24.700	1.870	0.020/0.072	BS	1870CP	71-4130/4 STD 0.25 0.50 0.75
BE/PL	4	56.520/56.535	60.333/60.345	24.700	1.870	0.020/0.070	BS	66575CP	71-4185/4 STD 0.25 0.50 0.75



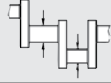
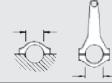





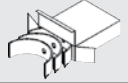
1870CP

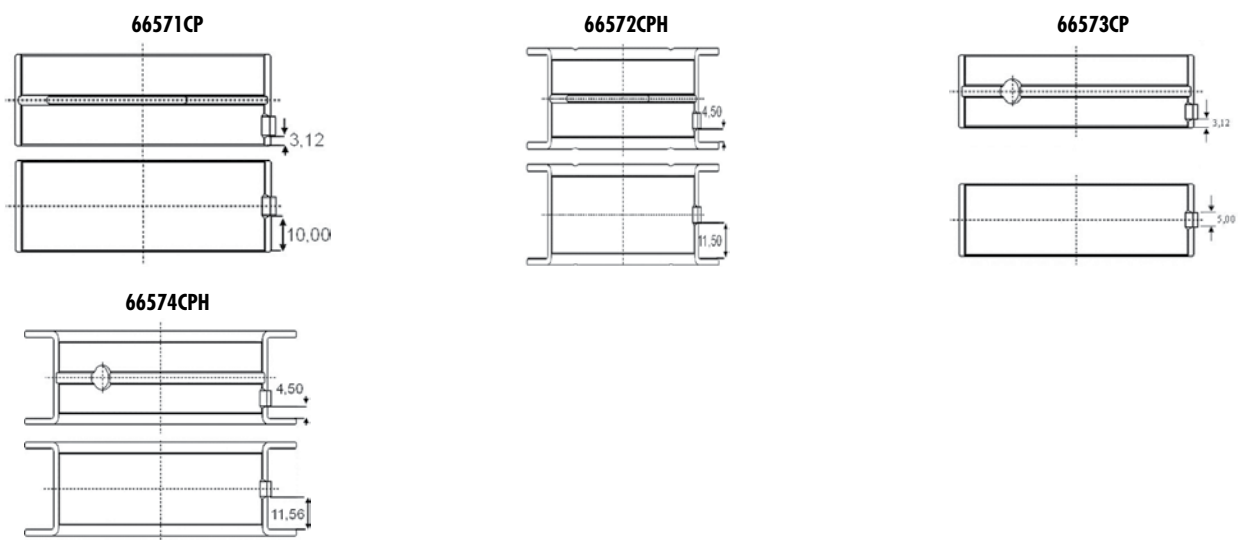
66575CP



...Continued

1281  **93.00 Diesel**

									
MB/HL 1-4	4	76.187/76.200	80.586/80.607	24.990	2.172	0.042/0.100	BS	66571CP	H1049/5 STD 0.25 0.50 0.75
MB/HL 5	1	76.187/76.200	80.586/80.607	31.950	2.172	0.042/0.100	BS	66572CPH	
Mot. → 1846776									
MB/HL 1-4	4	76.187/76.200	80.586/80.607	24.990	2.172	0.038/0.097	BS	66573CP	H1094/5 STD 0.25
MB/HL 5	1	76.187/76.200	80.586/80.607	31.950	2.172	0.038/0.097	BS	66574CPH	
Mot. 1846777 →									



SE/PB	1	31.990/31.996	34.895/34.920	30.700			BS	66579YA	55-4186 SEMI
-------	---	---------------	---------------	--------	--	--	----	---------	------------------------

1282

 93.00

Diesel



8140.27.2582

4 Cyl.

18.5:1

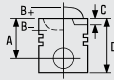
2499cc

74-79kW (101-107)PS

Turbocharged

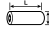
TD7260

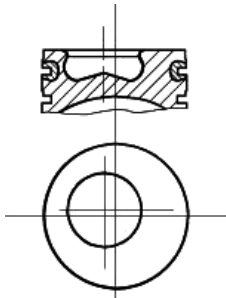
640



87-245200-40
87-245208-40

STD
0.60mm

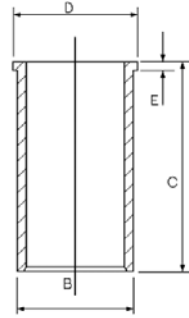
A 58.75
B- 17.90
BØ 38.00
D 96.75
 32x75



08-245200-00 STD
08-245208-00 0.60mm

3.00  CR P
2.00  P
3.00  CR P

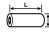
14-021371-00 D
B 96.01 C 171.00 D 98.92 E 5.00
14-021372-00 D
B 96.05 C 171.00 D 98.92 E 5.00
14-021373-00 D
B 96.17 C 171.00 D 98.92 E 5.00
14-021480-00 DH [11]
B 97.04 C 171.00 D 100.00 E 5.00

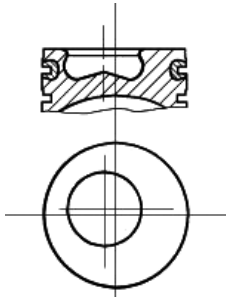


RT

87-245200-50
87-245208-50

STD
0.60mm

A 58.75
B- 17.90
BØ 38.00
D 96.75
 32x78



08-245200-00 STD
08-245208-00 0.60mm

3.00  CR P
2.00  P
3.00  CR P

AK NB RT

[11] Nitrided



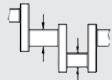
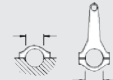





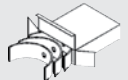
[11] Nitridé

[11] Nitruato

[11] Nitruado

...Continued

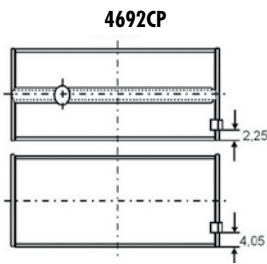
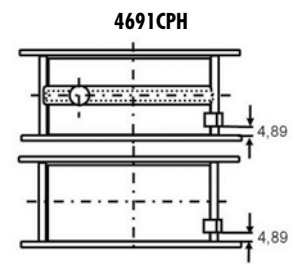
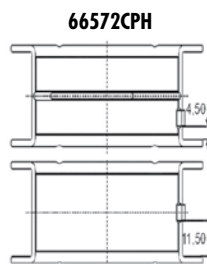
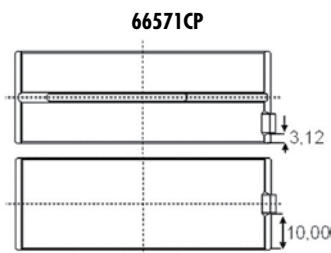
1282  **93.00 Diesel**

									
BE/PL	4	56.520/56.535	60.333/60.345	24.700	1.870	0.020/0.072	BS	1870CP	71-4130/4 STD 0.25 0.50 0.75
MB/HL 1-4	4	76.187/76.200	80.586/80.607	24.990	2.172	0.042/0.100	BS	66571CP	H1049/5 STD 0.25 0.50 0.75
MB/HL 5	1	76.187/76.200	80.586/80.607	31.950	2.172	0.042/0.100	BS	66572CPH	

→12/92

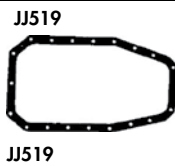
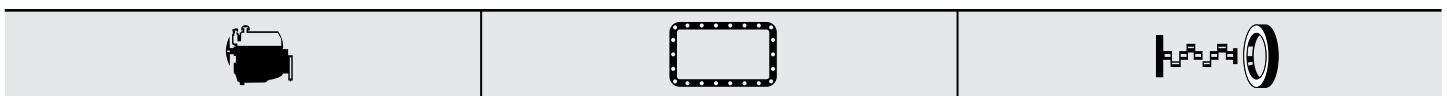
MB/HL 5	1	86.182/86.208	90.588/90.614	30.950	2.164	0.052/0.129	BS	4691CPH	H1104/5 STD 0.25 0.50
MB/HL 1-4	4	80.182/80.208	84.588/84.614	23.800	2.164	0.052/0.129	BS	4692CP	

09/85 →



SE/PB	1	31.990/31.996	34.895/34.920	30.700			BS	66579YA	55-4186 SEMI
-------	---	---------------	---------------	--------	--	--	----	---------	------------------------

Mot.344183 →



1283

 93.00

Diesel



8140.27.2700

4 Cyl.

18:1

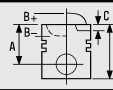
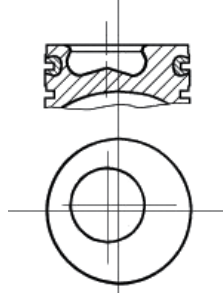
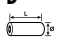
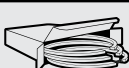



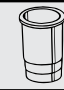
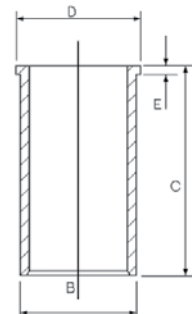

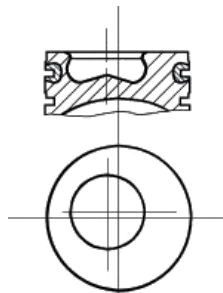
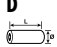



2499cc

76kW (103)PS

Turbocharged

TD1706

641



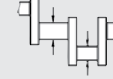
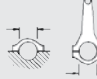






 <p>87-245200-40 87-245208-40</p> <p>STD 0.60mm</p>  <p>A 58.75 B- 17.90 BØ 38.00 D 96.75  32x75</p> <p>RT</p>	 <p>08-245200-00 STD 08-245208-00 0.60mm</p> <p>3.00  CR P 2.00  P 3.00  CR P</p>	 <p>14-021371-00 D B 96.01 C 171.00 D 98.92 E 5.00 14-021372-00 D B 96.05 C 171.00 D 98.92 E 5.00 14-021373-00 D B 96.17 C 171.00 D 98.92 E 5.00 14-021480-00 DH [11] B 97.04 C 171.00 D 100.00 E 5.00</p> 	
<p>87-245200-50 87-245208-50</p> <p>STD 0.60mm</p>  <p>A 58.75 B- 17.90 BØ 38.00 D 96.75  32x78</p> <p>AK NB RT</p>	<p>08-245200-00 STD 08-245208-00 0.60mm</p> <p>3.00  CR P 2.00  P 3.00  CR P</p>		

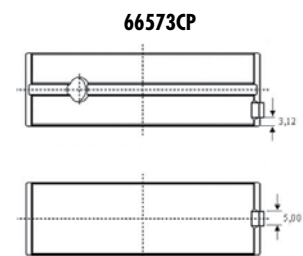
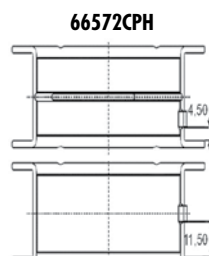
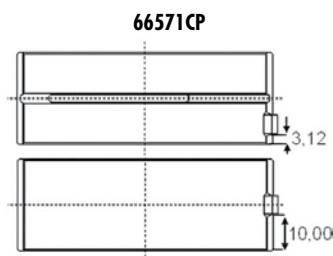
[11] Nitrided

[11] Nitridé


[11] Nitrurato

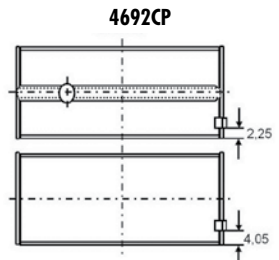
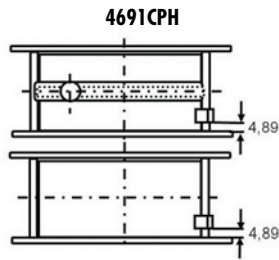
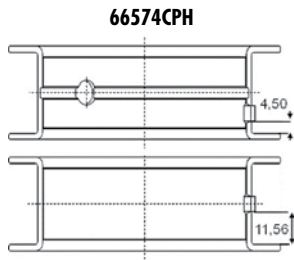
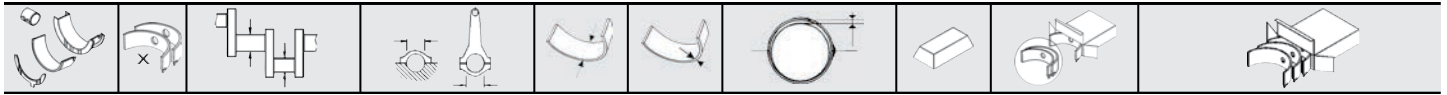
[11] Nitrurado

									
BE/PL	4	56.520/56.535	60.333/60.345	24.700	1.870	0.020/0.072	BS	1870CP	71-4130/4 STD 0.25 0.50 0.75
MB/HL 1-4	4	76.187/76.200	80.586/80.607	24.990	2.172	0.042/0.100	BS	66571CP	H1049/5 STD 0.25 0.50 0.75
MB/HL 5	1	76.187/76.200	80.586/80.607	31.950	2.172	0.042/0.100	BS	66572CPH	
→12/92									
MB/HL 1-4	4	76.187/76.200	80.586/80.607	24.990	2.172	0.038/0.097	BS	66573CP	H1094/5 STD 0.25
MB/HL 5	1	76.187/76.200	80.586/80.607	31.950	2.172	0.038/0.097	BS	66574CPH	
01/93→08/95									
MB/HL 5	1	86.182/86.208	90.588/90.614	30.950	2.164	0.052/0.129	BS	4691CPH	H1104/5 STD 0.25 0.50
MB/HL 1-4	4	80.182/80.208	84.588/84.614	23.800	2.164	0.052/0.129	BS	4692CP	
09/95→									



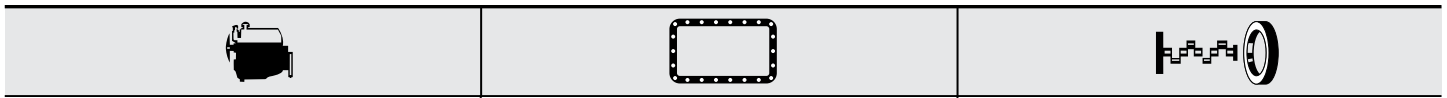
...Continued

1283  **93.00 Diesel**




SE/PB	1	31.990/31.996	34.895/34.920	30.700		BS	66579YA	55-4186 SEMI
-------	---	---------------	---------------	--------	--	----	---------	------------------------


Mot.344183 →





JH5178
Soft Material Gasket
JJ519

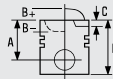

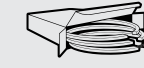



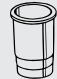
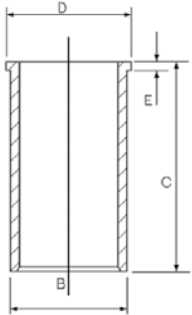
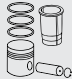
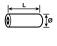
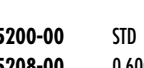





JH5178 **JJ519**

NF833  90.00x115.00x13.00mm, FPM



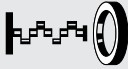
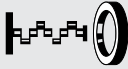
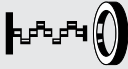
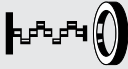
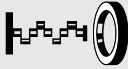


1284  **93.00 Diesel** 



8140.27.2720 4 Cyl. 18:1 2499cc **76kW (103)PS** **TD1707** **641**

 <p>87-245200-40 STD 87-245208-40 0.60mm</p> <p>A 58.75 B- 17.90 BØ 38.00 D 96.75  32x75</p> <p>RT</p>	 <p>08-245200-00 STD 08-245208-00 0.60mm</p> <p>3.00  CR P 2.00  P 3.00  CR P</p>	 <p>14-021371-00 D B 96.01 C 171.00 D 98.92 E 5.00 14-021372-00 D B 96.05 C 171.00 D 98.92 E 5.00 14-021373-00 D B 96.17 C 171.00 D 98.92 E 5.00 14-021480-00 DH [11] B 97.04 C 171.00 D 100.00 E 5.00</p> 	
<p>87-245200-50 STD 87-245208-50 0.60mm</p> <p>A 58.75 B- 17.90 BØ 38.00 D 96.75  32x78</p> <p>AK NB RT</p>	 <p>08-245200-00 STD 08-245208-00 0.60mm</p> <p>3.00  CR P 2.00  P 3.00  CR P</p>		

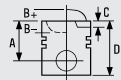


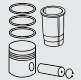
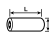



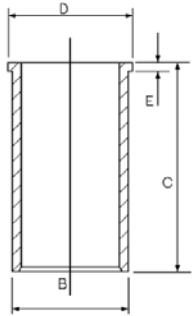
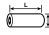



[11] Nitrided [11] Nitridé [11] Nitrurato [11] Nitrurado



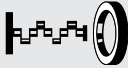

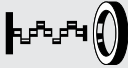
1284  **93.00** **Diesel**

		
	<p>JH5178 Soft Material Gasket JJ519</p>	<p>NP067  50.00x70.00x10.00mm, FPM NF885  70.00x179.00x16.00mm, FPM NF833  90.00x115.00x13.00mm, FPM NF886  100.00x179.00x15.80mm, FPM</p>
	  JH5178 JJ519	

1285  **93.00** **Diesel** 

8140.27.2811 4 Cyl. 18:1 2499cc **76kW (103)PS** **TD1708** **642**

			
<p>87-245200-40 STD 87-245208-40 0.60mm</p> <p>A 58.75 B- 17.90 BØ 38.00 D 96.75  32x75</p> <p>RT</p>	<p>08-245200-00 STD 08-245208-00 0.60mm</p> <p>3.00  CR P 2.00  P 3.00  CR P</p>	<p>14-021371-00 D B 96.01 C 171.00 D 98.92 E 5.00 14-021372-00 D B 96.05 C 171.00 D 98.92 E 5.00 14-021373-00 D B 96.17 C 171.00 D 98.92 E 5.00 14-021480-00 DH [11] B 97.04 C 171.00 D 100.00 E 5.00</p> 	
<p>87-245200-50 STD 87-245208-50 0.60mm</p> <p>A 58.75 B- 17.90 BØ 38.00 D 96.75  32x78</p> <p>AK NB RT</p>	<p>08-245200-00 STD 08-245208-00 0.60mm</p> <p>3.00  CR P 2.00  P 3.00  CR P</p>		
[11] Nitrided	[11] Nitridé	[11] Niturato	[11] Niturado

		
	<p>JJ519</p>  JJ519	<p>NP067  50.00x70.00x10.00mm, FPM</p>

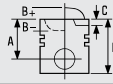
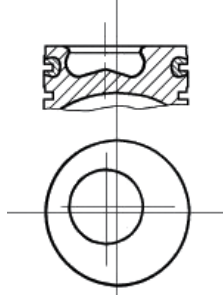
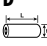
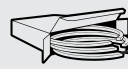



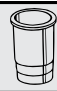
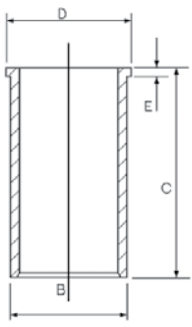

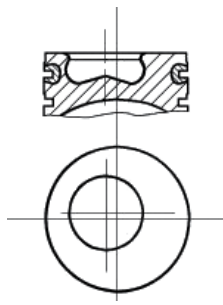




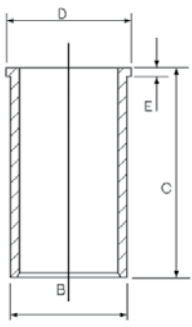
1286

93.00

Diesel



8140.27R.2700	4 Cyl.	18:1	2499cc	67-70kW (92-95)PS	Turbocharged	TD20420	643
8140.27S.2885	4 Cyl.	18:1	2499cc	76kW (103)PS	Turbocharged	TD20422	651



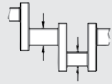
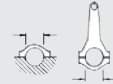





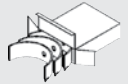
 <p>87-245200-40 87-245208-40</p> <p>STD 0.60mm</p>  <p>A 58.75 B- 17.90 BØ 38.00 D 96.75  32x75</p> <p>RT</p>	 <p>08-245200-00 STD 08-245208-00 0.60mm</p> <p>3.00  CR P 2.00  P 3.00  CR P</p>	 <p>14-021371-00 D B 96.01 C 171.00 D 98.92 E 5.00 14-021372-00 D B 96.05 C 171.00 D 98.92 E 5.00 14-021373-00 D B 96.17 C 171.00 D 98.92 E 5.00 14-021480-00 DH [11] B 97.04 C 171.00 D 100.00 E 5.00</p> 	
<p>87-245200-50 87-245208-50</p> <p>STD 0.60mm</p>  <p>A 58.75 B- 17.90 BØ 38.00 D 96.75  32x78</p> <p>AK NB RT</p>	<p>08-245200-00 STD 08-245208-00 0.60mm</p> <p>3.00  CR P 2.00  P 3.00  CR P</p>		

[11] Nitrided

[11] Nitridé

[11] Nitrurato

[11] Nitrurado

									
BE/PL	4	56.520/56.535	60.333/60.345	24.700	1.870	0.020/0.072	BS	1870CP	71-4130/4 STD 0.25 0.50 0.75
MB/HL 1-4	4	76.187/76.200	80.586/80.607	24.990	2.172	0.042/0.100	BS	66571CP	H1049/5 STD 0.25 0.50 0.75
MB/HL 5	1	76.187/76.200	80.586/80.607	31.950	2.172	0.042/0.100	BS	66572CPH	

Mot. → 1846776



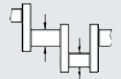
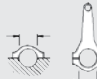





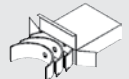
FIAT GROUP

...Continued

1286

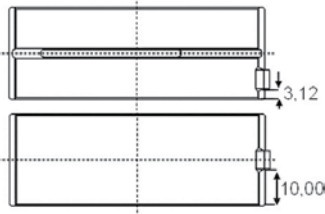
 **93.00**

Diesel

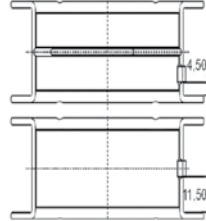
									
MB/HL 1-4	4	76.187/76.200	80.586/80.607	24.990	2.172	0.038/0.097	BS	66573CP	H1094/5 STD 0.25
MB/HL 5	1	76.187/76.200	80.586/80.607	31.950	2.172	0.038/0.097	BS	66574CPH	

Mot.1846777 →

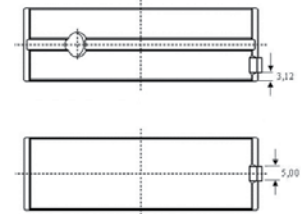
66571CP



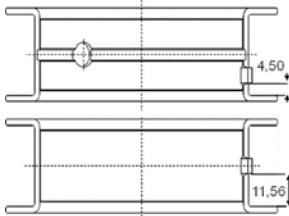
66572CPH



66573CP



66574CPH

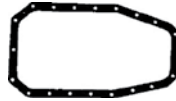


SE/PB	1	31.990/31.996	34.895/34.920	30.700			BS	66579YA	55-4186 SEMI
-------	---	---------------	---------------	--------	--	--	----	---------	------------------------



JJ519

NP067  50.00x70.00x10.00mm, FPM



JJ519

1287

 **93.00**

Diesel



8140.27R.2782

4 Cyl.

18:1

2499cc

70kW (96)PS

Turbocharged

TD1710

645



JJ519

NP067  50.00x70.00x10.00mm, FPM



JJ519

1288

 93.00

Diesel



8140.275.2700

4 Cyl.

18:1

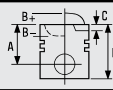
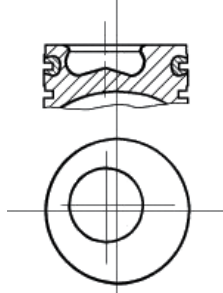
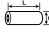
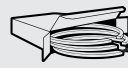



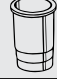
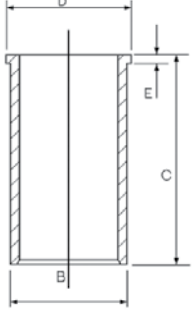

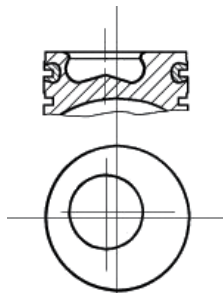




2499cc

76kW (103)PS

Turbocharged

TD20421

647



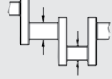
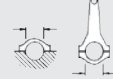






 <p>87-245200-40 87-245208-40</p> <p>STD 0.60mm</p>  <p>A 58.75 B- 17.90 BØ 38.00 D 96.75  32x75</p> <p>RT</p>	 <p>08-245200-00 STD 08-245208-00 0.60mm</p> <p>3.00  CR P 2.00  P 3.00  CR P</p>	 <p>14-021371-00 D B 96.01 C 171.00 D 98.92 E 5.00 14-021372-00 D B 96.05 C 171.00 D 98.92 E 5.00 14-021373-00 D B 96.17 C 171.00 D 98.92 E 5.00 14-021480-00 DH [11] B 97.04 C 171.00 D 100.00 E 5.00</p> 	
<p>87-245200-50 87-245208-50</p> <p>STD 0.60mm</p>  <p>A 58.75 B- 17.90 BØ 38.00 D 96.75  32x78</p> <p>AK NB RT</p>	<p>08-245200-00 STD 08-245208-00 0.60mm</p> <p>3.00  CR P 2.00  P 3.00  CR P</p>		

[11] Nitrided

[11] Nitridé

[11] Nitrurato

[11] Nitrurado

									
BE/PL	4	56.520/56.535	60.333/60.345	24.700	1.870	0.020/0.072	BS	1870CP	71-4130/4 STD 0.25 0.50 0.75
MB/HL 1-4	4	76.187/76.200	80.586/80.607	24.990	2.172	0.042/0.100	BS	66571CP	H1049/5 STD 0.25 0.50 0.75
MB/HL 5	1	76.187/76.200	80.586/80.607	31.950	2.172	0.042/0.100	BS	66572CPH	

Mot. → 1846776

1288



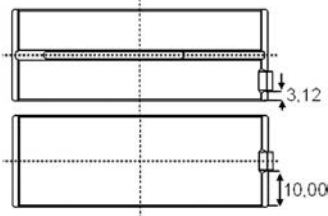
93.00

Diesel

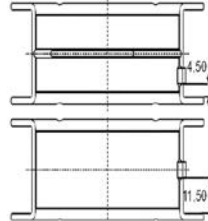
MB/HL 1-4	4	76.187/76.200	80.586/80.607	24.990	2.172	0.038/0.097	BS	66573CP	H1094/5 STD 0.25
MB/HL 5	1	76.187/76.200	80.586/80.607	31.950	2.172	0.038/0.097	BS	66574CPH	

Mot.1846777→

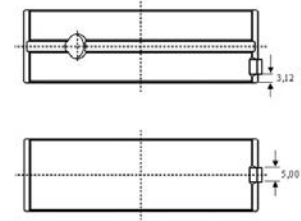
66571CP



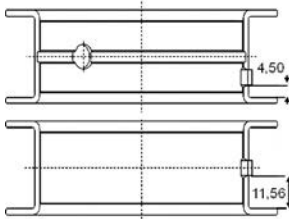
66572CPH



66573CP



66574CPH



SE/PB	1	31.990/31.996	34.895/34.920	30.700			BS	66579YA	55-4186 SEMI
-------	---	---------------	---------------	--------	--	--	----	---------	------------------------



JJ100
(Cork)
JJ519



JJ100

JJ519

NA5055 70.00x90.00x10.00mm, FPM
NP067 50.00x70.00x10.00mm, FPM
NF883 114.00x177.00x13.00mm, FPM
NF885 70.00x179.00x16.00mm, FPM
NF886 100.00x179.00x15.80mm, FPM

1289

 93.00

Diesel



8140.275.2801

4 Cyl.

18:1

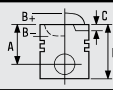
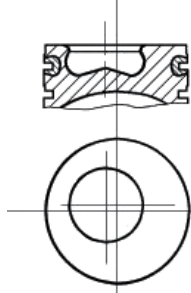
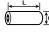
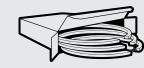



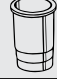
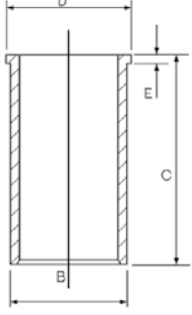

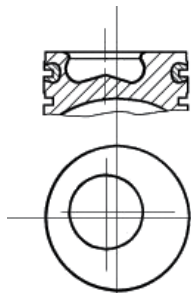




2499cc

76kW (103)PS

Turbocharged

TD20419

650



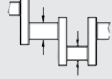
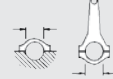






 <p>87-245200-40 87-245208-40</p> <p>STD 0.60mm</p>  <p>A 58.75 B- 17.90 BØ 38.00 D 96.75  32x75</p> <p>RT</p>	 <p>08-245200-00 STD 08-245208-00 0.60mm</p> <p>3.00  CR P 2.00  P 3.00  CR P</p>	 <p>14-021371-00 D B 96.01 C 171.00 D 98.92 E 5.00 14-021372-00 D B 96.05 C 171.00 D 98.92 E 5.00 14-021373-00 D B 96.17 C 171.00 D 98.92 E 5.00 14-021480-00 DH [11] B 97.04 C 171.00 D 100.00 E 5.00</p> 	
<p>87-245200-50 87-245208-50</p> <p>STD 0.60mm</p>  <p>A 58.75 B- 17.90 BØ 38.00 D 96.75  32x78</p> <p>AK NB RT</p>	<p>08-245200-00 STD 08-245208-00 0.60mm</p> <p>3.00  CR P 2.00  P 3.00  CR P</p>		

[11] Nitrided

[11] Nitridé

[11] Nitrurato

[11] Nitrurado

									
BE/PL	4	56.520/56.535	60.333/60.345	24.700	1.870	0.020/0.072	BS	1870CP	71-4130/4 STD 0.25 0.50 0.75
MB/HL 1-4	4	76.187/76.200	80.586/80.607	24.990	2.172	0.042/0.100	BS	66571CP	H1049/5 STD 0.25 0.50 0.75
MB/HL 5	1	76.187/76.200	80.586/80.607	31.950	2.172	0.042/0.100	BS	66572CPH	

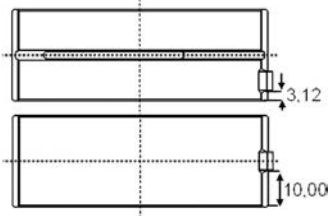
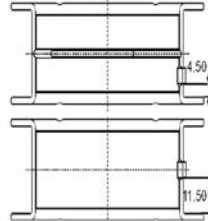
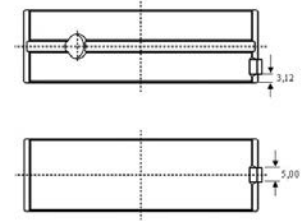
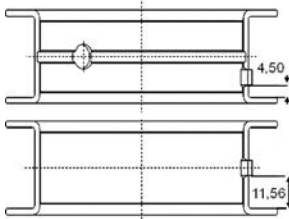
Mot. → 1846776

1289


93.00
Diesel

MB/HL 1-4	4	76.187/76.200	80.586/80.607	24.990	2.172	0.038/0.097	BS	66573CP	H1094/5 STD 0.25
MB/HL 5	1	76.187/76.200	80.586/80.607	31.950	2.172	0.038/0.097	BS	66574CPH	

Mot.1846777 →

66571CP

66572CPH

66573CP

66574CPH


SE/PB	1	31.990/31.996	34.895/34.920	30.700			BS	66579YA	55-4186 SEMI
-------	---	---------------	---------------	--------	--	--	----	---------	------------------------

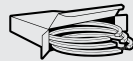
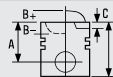


NA5055 70.00x90.00x10.00mm, FPM
NF853 100.00x118.00x10.00mm, FPM
NP067 50.00x70.00x10.00mm, FPM

1290

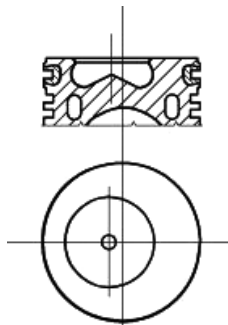

93.00
Diesel


8140.27S.3700 Euro I	4 Cyl.	18.5:1	2499cc	77kW (105)PS	Turbocharged	TD20152
8140.47R.2210	4 Cyl.	18.5:1	2499cc	80kW (110)PS	Turbo Intercooled	TD6811 659


87-520200-00

STD

A 58.75
B- 18.40
BØ 38.00
D 96.75
 32x78

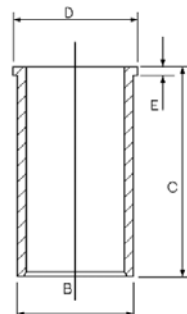
AK KK NB RT

08-520200-00

STD

3.00 CR
 2.00 P
 3.00 CR P

14-021371-00 D

B 96.01 **C** 171.00 **D** 98.92 **E** 5.00
14-021372-00 D
B 96.05 **C** 171.00 **D** 98.92 **E** 5.00
14-021373-00 D
B 96.17 **C** 171.00 **D** 98.92 **E** 5.00
14-021480-00 DH [11]
B 97.04 **C** 171.00 **D** 100.00 **E** 5.00



[11] Nitrided



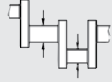
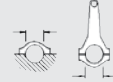






[11] Nitridé

[11] Nitrurato

[11] Nitrurado

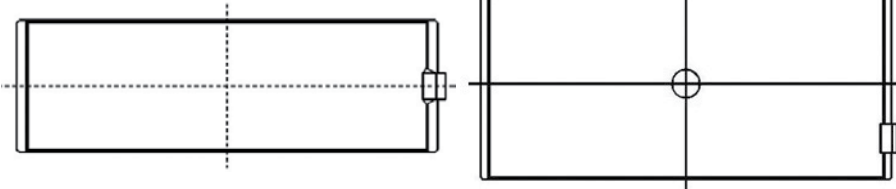
...Continued

1290  **93.00 Diesel**

									
BE/PL	4	56.520/56.535	60.333/60.345	24.700	1.870	0.020/0.072	BS	1870CP	71-4130/4 STD 0.25 0.50 0.75
BE/PL	4	56.520/56.535	60.333/60.345	24.700	1.870	0.020/0.070	BS	66575CP	71-4185/4 STD 0.25 0.50 0.75

1870CP

66575CP

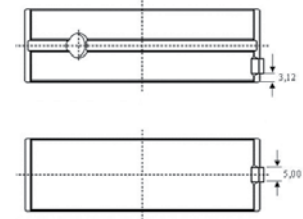
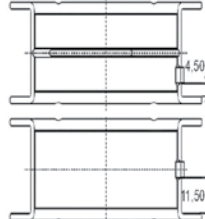
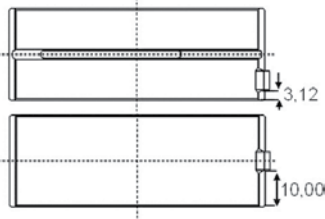


MB/HL 1-4	4	76.187/76.200	80.586/80.607	24.990	2.172	0.042/0.100	BS	66571CP	H1049/5 STD 0.25 0.50 0.75
MB/HL 5	1	76.187/76.200	80.586/80.607	31.950	2.172	0.042/0.100	BS	66572CPH	
MB/HL 1-4	4	76.187/76.200	80.586/80.607	24.990	2.172	0.038/0.097	BS	66573CP	H1094/5 STD 0.25
MB/HL 5	1	76.187/76.200	80.586/80.607	31.950	2.172	0.038/0.097	BS	66574CPH	

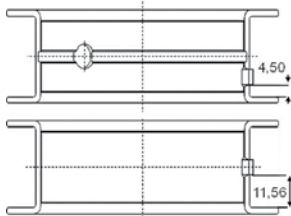
66571CP

66572CPH

66573CP



66574CPH



SE/PB	1	31.990/31.996	34.895/34.920	30.700			BS	66579YA	55-4186 SEMI
-------	---	---------------	---------------	--------	--	--	----	---------	------------------------

1291

 93.00

Diesel



8140.47.2700 Euro 1

4 Cyl.

18:1

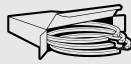
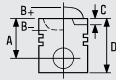
2499cc

85kW (116)PS

Turbocharged

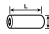
TD1711

652

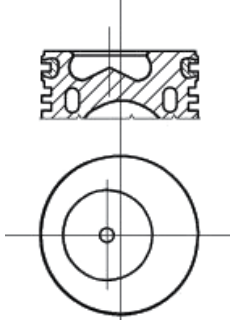


87-520200-00

STD

A 58.75
B- 18.40
BØ 38.00
D 96.75
 32x78

AK KK NB RT



08-520200-00

STD

3.00  CR
2.00  P
3.00  CR P

14-021371-00 D

B 96.01 C 171.00 D 98.92 E 5.00

14-021372-00 D

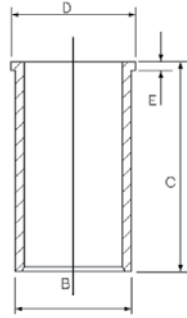
B 96.05 C 171.00 D 98.92 E 5.00

14-021373-00 D

B 96.17 C 171.00 D 98.92 E 5.00

14-021480-00 DH [11]

B 97.04 C 171.00 D 100.00 E 5.00



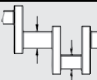
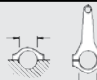








[11] Nitrided

[11] Nitridé



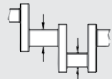
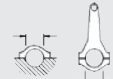





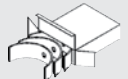
[11] Nitratato

[11] Niturado

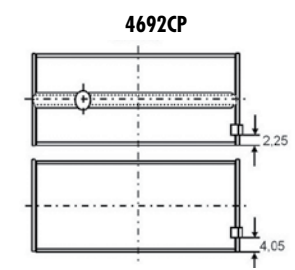
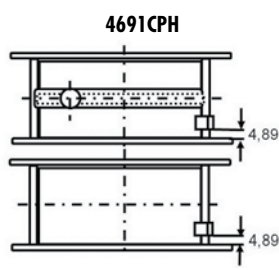
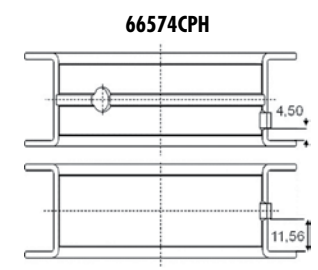
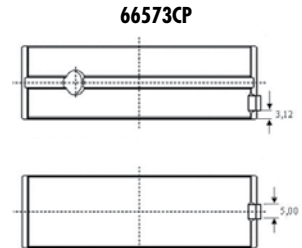
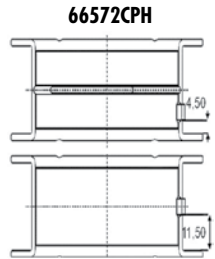
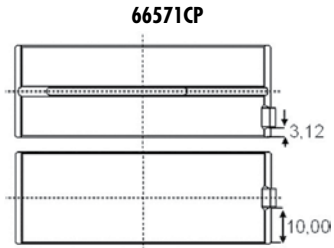
									
BE/PL	4	56.520/56.535	60.333/60.345	24.700	1.870	0.020/0.072	BS	1870CP	71-4130/4 STD 0.25 0.50 0.75
MB/HL 1-4	4	76.187/76.200	80.586/80.607	24.990	2.172	0.042/0.100	BS	66571CP	H1049/5 STD 0.25 0.50 0.75
MB/HL 5	1	76.187/76.200	80.586/80.607	31.950	2.172	0.042/0.100	BS	66572CPH	
→12/92									
MB/HL 1-4	4	76.187/76.200	80.586/80.607	24.990	2.172	0.038/0.097	BS	66573CP	H1094/5 STD 0.25
MB/HL 5	1	76.187/76.200	80.586/80.607	31.950	2.172	0.038/0.097	BS	66574CPH	
01/93→08/95									

...Continued

1291  **93.00** Diesel




									
MB/HL 5	1	86.182/86.208	90.588/90.614	30.950	2.164	0.052/0.129	BS	4691CPH	H1104/5 STD 0.25 0.50
MB/HL 1-4	4	80.182/80.208	84.588/84.614	23.800	2.164	0.052/0.129	BS	4692CP	

09/95 →







SE/PB	1	31.990/31.996	34.895/34.920	30.700			BS	66579YA	55-4186 SEMI
-------	---	---------------	---------------	--------	--	--	----	---------	------------------------

Mot.344183 →

		
---	---	---

JH5178
Soft Material Gasket
JJ519

NP067  50.00x70.00x10.00mm, FPM
NF883  114.00x177.00x13.00mm, FPM
NF885  70.00x179.00x16.00mm, FPM
NF886  100.00x179.00x15.80mm, FPM



JH5178

JJ519

1292

93.00

Diesel



8140.47.2711 Euro 1

4 Cyl.

18:1

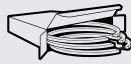
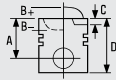
2499cc

85kW (116)PS

Turbocharged

TD1712

641

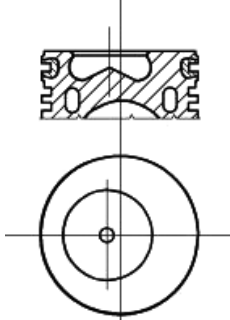


87-520200-00

STD

A 58.75
B- 18.40
BØ 38.00
D 96.75
 32x78

AK KK NB RT



08-520200-00

STD

3.00 CR
2.00 P
3.00 CR P

14-021371-00 D

B 96.01 C 171.00 D 98.92 E 5.00

14-021372-00 D

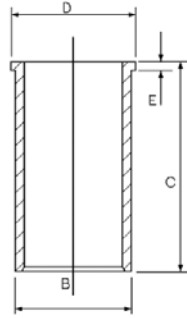
B 96.05 C 171.00 D 98.92 E 5.00

14-021373-00 D

B 96.17 C 171.00 D 98.92 E 5.00

14-021480-00 DH [11]

B 97.04 C 171.00 D 100.00 E 5.00



[11] Nitrided

[11] Nitridé

[11] Niturato

[11] Niturado



JH5178

Soft Material Gasket

JJ519



JH5178



JJ519

NF853 100.00x118.00x10.00mm, FPM

1293

93.00

Diesel



8140.47.2721 Euro 1

4 Cyl.

18:1

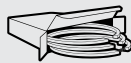
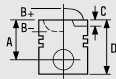
2499cc

85kW (116)PS

Turbocharged

TD1713

653

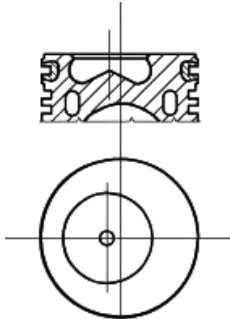


87-520200-00

STD

A 58.75
B- 18.40
BØ 38.00
D 96.75
 32x78

AK KK NB RT



08-520200-00

STD

3.00 CR
2.00 P
3.00 CR P

14-021371-00 D

B 96.01 C 171.00 D 98.92 E 5.00

14-021372-00 D

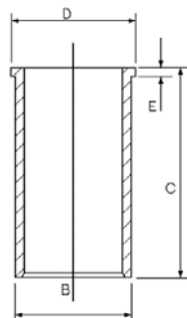
B 96.05 C 171.00 D 98.92 E 5.00

14-021373-00 D

B 96.17 C 171.00 D 98.92 E 5.00

14-021480-00 DH [11]

B 97.04 C 171.00 D 100.00 E 5.00



[11] Nitrided



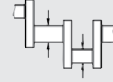
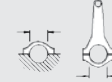






[11] Nitridé

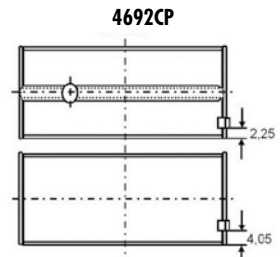
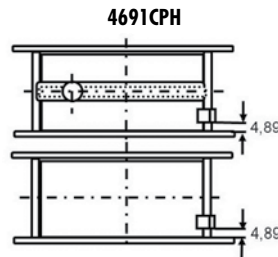
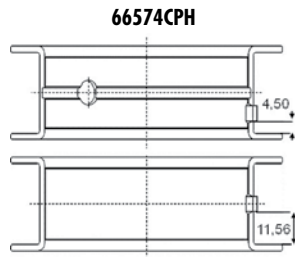
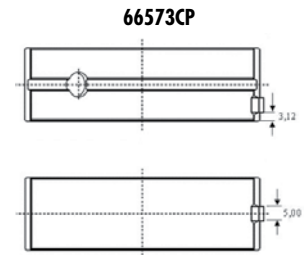
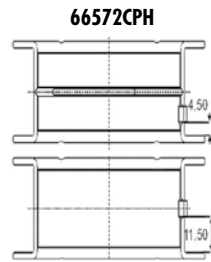
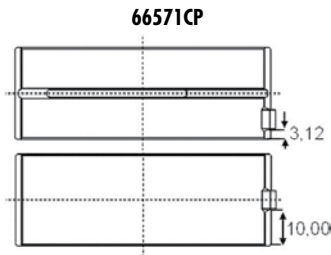
[11] Niturato

[11] Niturado

...Continued

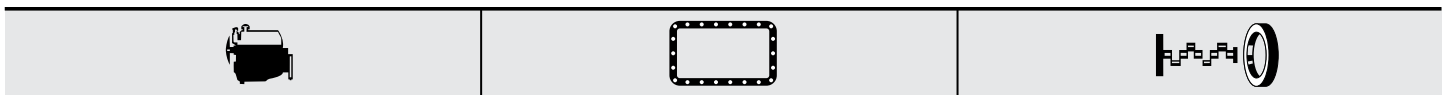
1293  **93.00 Diesel**

									
BE/PL	4	56.520/56.535	60.333/60.345	24.700	1.870	0.020/0.072	BS	1870CP	71-4130/4 STD 0.25 0.50 0.75
MB/HL 1-4	4	76.187/76.200	80.586/80.607	24.990	2.172	0.042/0.100	BS	66571CP	H1049/5 STD 0.25 0.50 0.75
MB/HL 5	1	76.187/76.200	80.586/80.607	31.950	2.172	0.042/0.100	BS	66572CPH	
→12/92									
MB/HL 1-4	4	76.187/76.200	80.586/80.607	24.990	2.172	0.038/0.097	BS	66573CP	H1094/5 STD 0.25
MB/HL 5	1	76.187/76.200	80.586/80.607	31.950	2.172	0.038/0.097	BS	66574CPH	
01/93→08/95									
MB/HL 5	1	86.182/86.208	90.588/90.614	30.950	2.164	0.052/0.129	BS	4691CPH	H1104/5 STD 0.25 0.50
MB/HL 1-4	4	80.182/80.208	84.588/84.614	23.800	2.164	0.052/0.129	BS	4692CP	
09/95→									



SE/PB	1	31.990/31.996	34.895/34.920	30.700			BS	66579YA	55-4186 SEMI
-------	---	---------------	---------------	--------	--	--	----	---------	------------------------


Mot.344183→



JH5178
Soft Material Gasket
JJ519



JH5178 **JJ519**

NF853  T00.00x118.00x10.00mm, FPM

1294

 93.00

Diesel



8140.47.2785 Euro 1

4 Cyl.

18:1

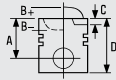
2499cc

85kW (116)PS

Turbocharged

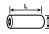
TD1715

654

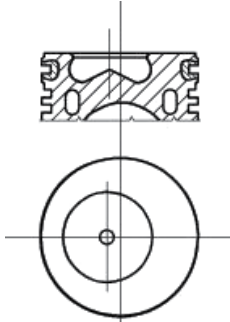


87-520200-00

STD

A 58.75
B- 18.40
BØ 38.00
D 96.75
 32x78

AK KK NB RT



08-520200-00

STD

3.00  CR
2.00  P
3.00  CR P

14-021371-00 D

B 96.01 C 171.00 D 98.92 E 5.00

14-021372-00 D

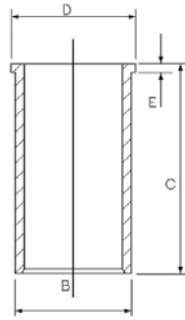
B 96.05 C 171.00 D 98.92 E 5.00

14-021373-00 D

B 96.17 C 171.00 D 98.92 E 5.00

14-021480-00 DH [11]

B 97.04 C 171.00 D 100.00 E 5.00



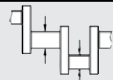
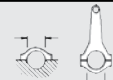








[11] Nitrided

[11] Nitridé



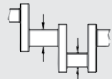
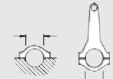





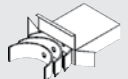
[11] Nitratato

[11] Niturado

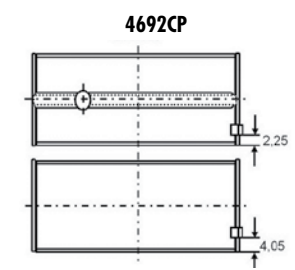
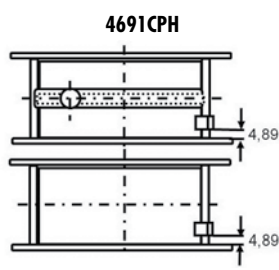
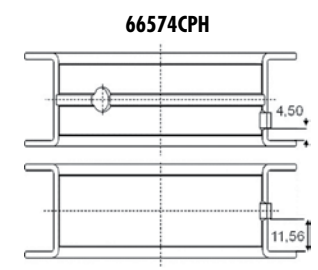
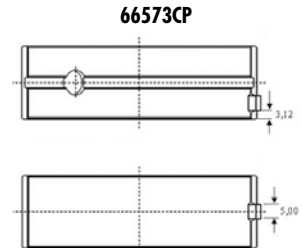
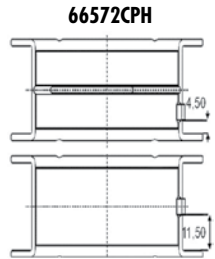
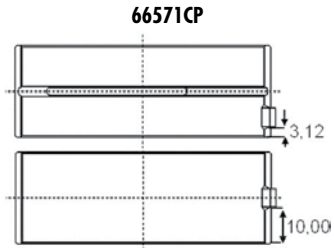
									
BE/PL	4	56.520/56.535	60.333/60.345	24.700	1.870	0.020/0.072	BS	1870CP	71-4130/4 STD 0.25 0.50 0.75
MB/HL 1-4	4	76.187/76.200	80.586/80.607	24.990	2.172	0.042/0.100	BS	66571CP	H1049/5 STD 0.25 0.50 0.75
MB/HL 5	1	76.187/76.200	80.586/80.607	31.950	2.172	0.042/0.100	BS	66572CPH	
→12/92									
MB/HL 1-4	4	76.187/76.200	80.586/80.607	24.990	2.172	0.038/0.097	BS	66573CP	H1094/5 STD 0.25
MB/HL 5	1	76.187/76.200	80.586/80.607	31.950	2.172	0.038/0.097	BS	66574CPH	
01/93→08/95									

...Continued

1294  **93.00 Diesel**

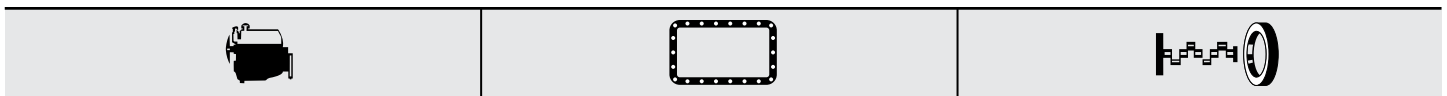
									
MB/HL 5	1	86.182/86.208	90.588/90.614	30.950	2.164	0.052/0.129	BS	4691CPH	H1104/5 STD 0.25 0.50
MB/HL 1-4	4	80.182/80.208	84.588/84.614	23.800	2.164	0.052/0.129	BS	4692CP	

09/95 →



SE/PB	1	31.990/31.996	34.895/34.920	30.700			BS	66579YA	55-4186 SEMI
-------	---	---------------	---------------	--------	--	--	----	---------	------------------------


Mot.344183 →



JJ100
(Cork)



JJ100

NP067  50.00x70.00x10.00mm, FPM

1295

 93.00

Diesel



8140.47.3700 Euro 1

4 Cyl.

18.5:1

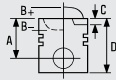
2499cc

85kW (116)PS

Turbo Intercooled


TD20477

656

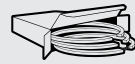
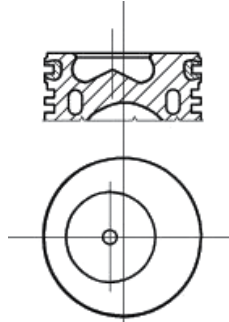


87-520200-00

STD

A 58.75
B- 18.40
BØ 38.00
D 96.75
 32x78

AK KK NB RT



08-520200-00

STD

3.00  CR
2.00  P
3.00  CR P



14-021371-00 D

B 96.01 C 171.00 D 98.92 E 5.00

14-021372-00 D

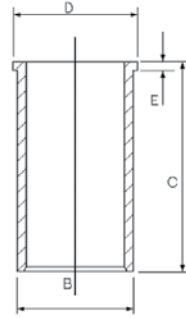
B 96.05 C 171.00 D 98.92 E 5.00

14-021373-00 D

B 96.17 C 171.00 D 98.92 E 5.00

14-021480-00 DH [11]

B 97.04 C 171.00 D 100.00 E 5.00



[11] Nitrided

[11] Nitridé

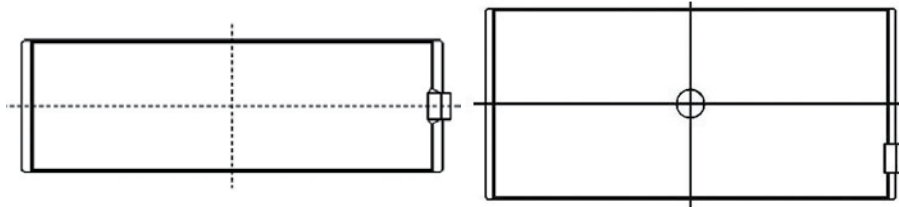
[11] Niturato

[11] Niturado


									
BE/PL	4	56.520/56.535	60.333/60.345	24.700	1.870	0.020/0.072	BS	1870CP	71-4130/4 STD 0.25 0.50 0.75
BE/PL	4	56.520/56.535	60.333/60.345	24.700	1.870	0.020/0.070	BS	66575CP	71-4185/4 STD 0.25 0.50 0.75



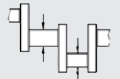
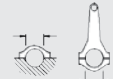






1870CP

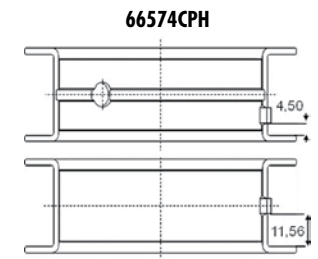
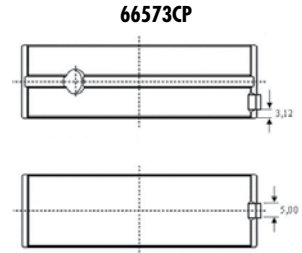
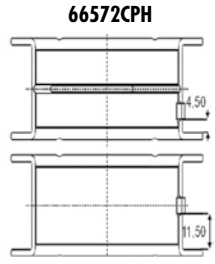
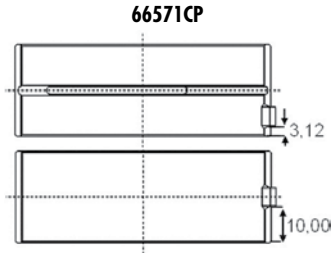
66575CP



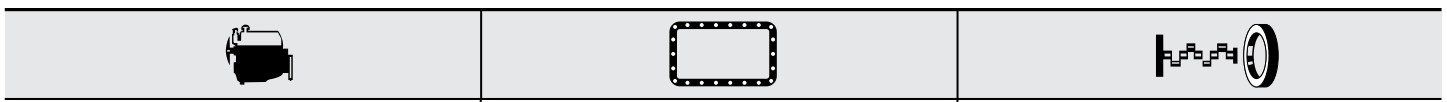
...Continued

1295  **93.00** Diesel


									
MB/HL 1-4	4	76.187/76.200	80.586/80.607	24.990	2.172	0.042/0.100	BS	66571CP	H1049/5 STD 0.25 0.50 0.75
MB/HL 5	1	76.187/76.200	80.586/80.607	31.950	2.172	0.042/0.100	BS	66572CPH	
MB/HL 1-4	4	76.187/76.200	80.586/80.607	24.990	2.172	0.038/0.097	BS	66573CP	H1094/5 STD 0.25
MB/HL 5	1	76.187/76.200	80.586/80.607	31.950	2.172	0.038/0.097	BS	66574CPH	

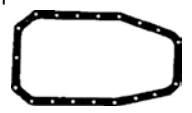


SE/PB	1	31.990/31.996	34.895/34.920	30.700			BS	66579YA	55-4186 SEMI
-------	---	---------------	---------------	--------	--	--	----	---------	------------------------



JJ519

NP067  50.00x70.00x10.00mm, FPM



JJ519



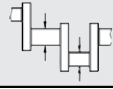
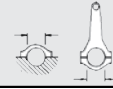


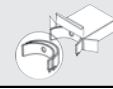
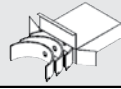
1296

 93.00

Diesel

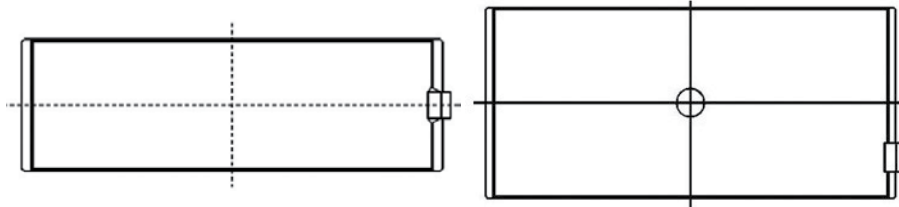


8140.47.3711 Euro 1	4 Cyl.	18.5:1	2499cc	85kW (116)PS	Turbo Intercooled	TD26005	657
8140.47.3721 Euro 1	4 Cyl.	18.5:1	2499cc	85kW (116)PS	Turbo Intercooled	TD26006	639
8140.47.3731 Euro 1	4 Cyl.	18.5:1	2499cc	85kW (116)PS	Turbo Intercooled	TD26007	
8140.47B.3790 Euro 1	4 Cyl.	18.5:1	2499cc	78-83kW (106-113)PS	Turbo Intercooled	TD26008	639
8140.47B.3795 Euro 1	4 Cyl.	18.5:1	2499cc	78-83kW (106-113)PS	Turbo Intercooled	TD26009	639
8140.47R.2795	4 Cyl.	18.5:1	2499cc	80kW (109)PS	Turbo Intercooled	TD26010	639
8144.97.2200	4 Cyl.	22:1	2499cc	86-87kW (117-118)PS	Turbo Intercooled	TD1062	
8144.97.2400	4 Cyl.	21:1	2499cc	83-87kW (113-118)PS	Turbo Intercooled	TD22318	
8144.97.2500	4 Cyl.	22.5:1	2500cc	85kW (118)PS	Turbo Intercooled	TD1063	

									
BE/PL	4	56.520/56.535	60.333/60.345	24.700	1.870	0.020/0.072	BS	1870CP	71-4130/4 STD 0.25 0.50 0.75
BE/PL	4	56.520/56.535	60.333/60.345	24.700	1.870	0.020/0.070	BS	66575CP	71-4185/4 STD 0.25 0.50 0.75

1870CP

66575CP

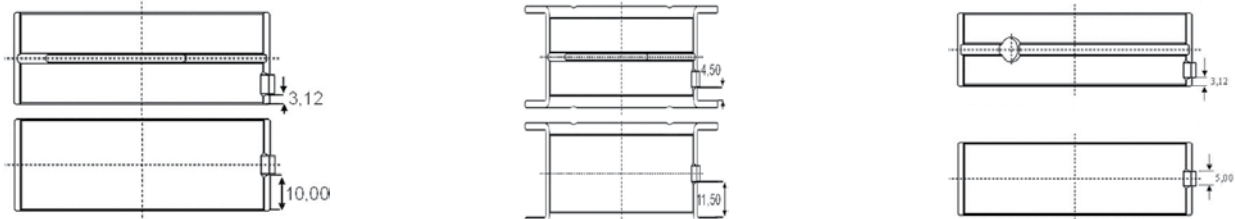


MB/HL 1-4	4	76.187/76.200	80.586/80.607	24.990	2.172	0.042/0.100	BS	66571CP	H1049/5 STD 0.25 0.50 0.75
MB/HL 5	1	76.187/76.200	80.586/80.607	31.950	2.172	0.042/0.100	BS	66572CPH	
MB/HL 1-4	4	76.187/76.200	80.586/80.607	24.990	2.172	0.038/0.097	BS	66573CP	H1094/5 STD 0.25
MB/HL 5	1	76.187/76.200	80.586/80.607	31.950	2.172	0.038/0.097	BS	66574CPH	

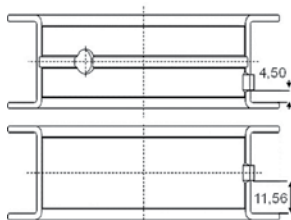
66571CP

66572CPH

66573CP



66574CPH



SE/PB	1	31.990/31.996	34.895/34.920	30.700			BS	66579YA	55-4186 SEMI
-------	---	---------------	---------------	--------	--	--	----	---------	-----------------

1297

93.00

Diesel



8140.47R 4 Cyl. 18:1 2499cc 80kW (109)PS Turbocharged TD7234 658

87-520200-00 STD A 58.75 B- 18.40 BØ 38.00 D 96.75 32x78 AK KK NB RT	 	08-520200-00 STD 3.00 CR 2.00 P 3.00 CR P	14-021371-00 D B 96.01 C 171.00 D 98.92 E 5.00 14-021372-00 D B 96.05 C 171.00 D 98.92 E 5.00 14-021373-00 D B 96.17 C 171.00 D 98.92 E 5.00 14-021480-00 DH [11] B 97.04 C 171.00 D 100.00 E 5.00

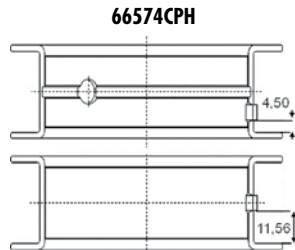
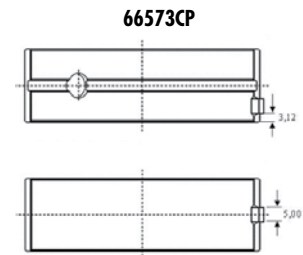
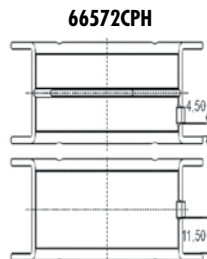
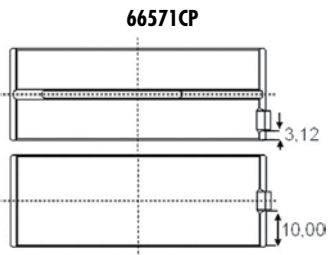
[11] Nitrided [11] Nitridé [11] Nitrurato [11] Nitrado

BE/PL	4	56.520/56.535	60.333/60.345	24.700	1.870	0.020/0.072	BS	1870CP	71-4130/4 STD 0.25 0.50 0.75
MB/HL 1-4	4	76.187/76.200	80.586/80.607	24.990	2.172	0.042/0.100	BS	66571CP	H1049/5 STD 0.25 0.50 0.75
MB/HL 5	1	76.187/76.200	80.586/80.607	31.950	2.172	0.042/0.100	BS	66572CPH	

Mot. → 1846776

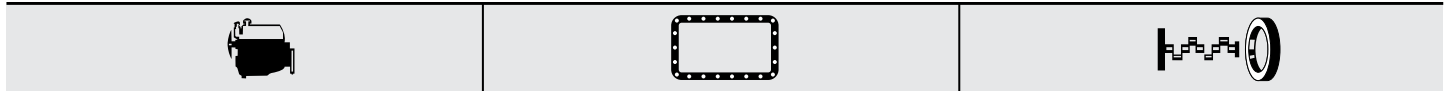
MB/HL 1-4	4	76.187/76.200	80.586/80.607	24.990	2.172	0.038/0.097	BS	66573CP	H1094/5 STD 0.25
MB/HL 5	1	76.187/76.200	80.586/80.607	31.950	2.172	0.038/0.097	BS	66574CPH	

Mot. 1846777 →







SE/PB	1	31.990/31.996	34.895/34.920	30.700			BS	66579YA	55-4186 SEMI
-------	---	---------------	---------------	--------	--	--	----	---------	------------------------



1297  **93.00** **Diesel**



JH5178
Soft Material Gasket
JJ519

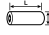
NP067  50.00x70.00x10.00mm, FPM
NF883  114.00x177.00x13.00mm, FPM
NF885  70.00x179.00x16.00mm, FPM
NF886  100.00x179.00x15.80mm, FPM

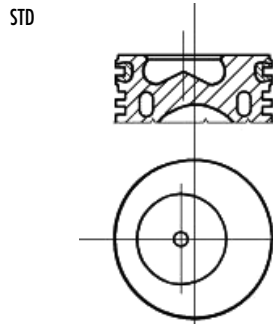





1298  **93.00** **Diesel** 

8140.47R.2790 4 Cyl. 18.5:1 2499cc **76-80kW (103-109)PS** **Turbo Intercooled** **TD1716** **660**

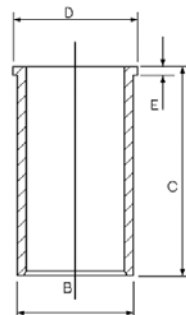


87-520200-00 STD
A 58.75
B- 18.40
BØ 38.00
D 96.75
 32x78
AK KK NB RT

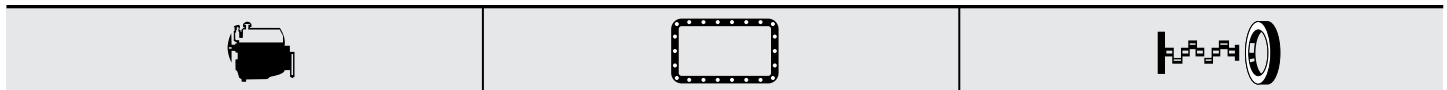


08-520200-00 STD
3.00  CR
2.00  P
3.00  CR P

14-021371-00 D
B 96.01 **C** 171.00 **D** 98.92 **E** 5.00
14-021372-00 D
B 96.05 **C** 171.00 **D** 98.92 **E** 5.00
14-021373-00 D
B 96.17 **C** 171.00 **D** 98.92 **E** 5.00
14-021480-00 DH [11]
B 97.04 **C** 171.00 **D** 100.00 **E** 5.00






[11] Nitrided [11] Nitridé [11] Niturato [11] Niturado



 **ES381**

JH5178
Soft Material Gasket
JJ519

NP067  50.00x70.00x10.00mm, FPM
NF883  114.00x177.00x13.00mm, FPM
NF885  70.00x179.00x16.00mm, FPM



1299

93.00

Diesel



8140.475 Euro I

4 Cyl.

18.5:1

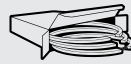
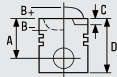
2499cc

85kW (116)PS

Turbo Intercooled

TD20453

661

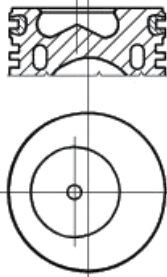


87-520200-00

STD

A 58.75
B- 18.40
BØ 38.00
D 96.75
32x78

AK KK NB RT



08-520200-00

STD

3.00 CR
2.00 P
3.00 CR P

14-021371-00 D

B 96.01 C 171.00 D 98.92 E 5.00

14-021372-00 D

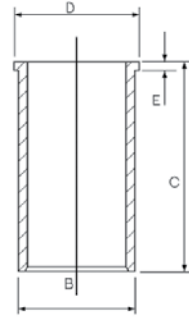
B 96.05 C 171.00 D 98.92 E 5.00

14-021373-00 D

B 96.17 C 171.00 D 98.92 E 5.00

14-021480-00 DH [11]

B 97.04 C 171.00 D 100.00 E 5.00



[11] Nitrided

[11] Nitridé

[11] Nitratato

[11] Niturado

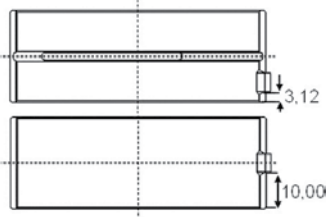
BE/PL	4	56.520/56.535	60.333/60.345	24.700	1.870	0.020/0.072	BS	1870CP	71-4130/4 STD 0.25 0.50 0.75
MB/HL 1-4	4	76.187/76.200	80.586/80.607	24.990	2.172	0.042/0.100	BS	66571CP	H1049/5 STD 0.25 0.50 0.75
MB/HL 5	1	76.187/76.200	80.586/80.607	31.950	2.172	0.042/0.100	BS	66572CPH	

Mot. → 1846776

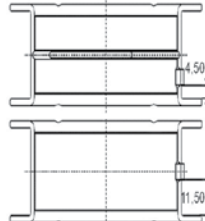
MB/HL 1-4	4	76.187/76.200	80.586/80.607	24.990	2.172	0.038/0.097	BS	66573CP	H1094/5 STD 0.25
MB/HL 5	1	76.187/76.200	80.586/80.607	31.950	2.172	0.038/0.097	BS	66574CPH	

Mot. 1846777 →

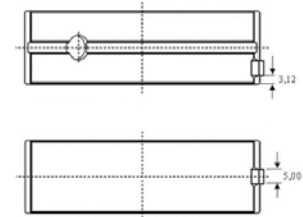
66571CP



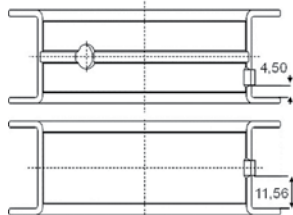
66572CPH



66573CP



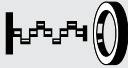

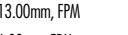




66574CPH



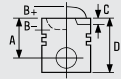


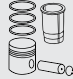
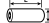



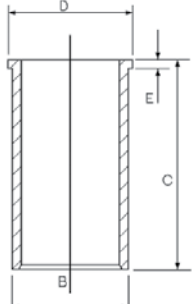
SE/PB	1	31.990/31.996	34.895/34.920	30.700			BS	66579YA	55-4186 SEMI
-------	---	---------------	---------------	--------	--	--	----	---------	-----------------



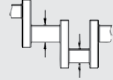






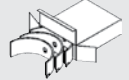
1299  **93.00** **Diesel**

		
	JJ100 (Cork)	NP067  50.00x70.00x10.00mm, FPM NF883  114.00x177.00x13.00mm, FPM NF885  70.00x179.00x16.00mm, FPM
	 JJ100	

1300  **93.00** **Diesel** 

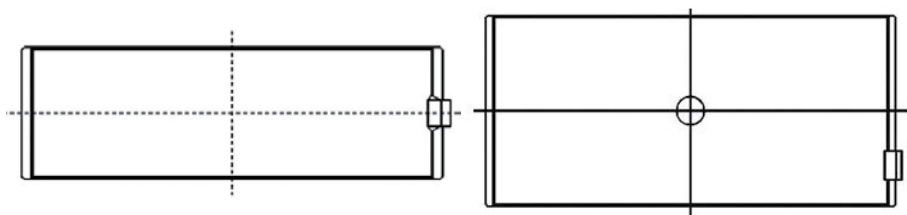
8140.67.2700	4 Cyl.	22:1	2499cc	62kW (85)PS	TD6810
8140.67F.3701 Euro 2	4 Cyl.	21:1	2499cc	60kW (82)PS	TD26292
8140.67F.3710 Euro 2	4 Cyl.	21:1	2499cc	60kW (82)PS	TD26293
8140.67F.3711 Euro 2	4 Cyl.	21:1	2499cc	60kW (82)PS	TD26294
8140.67F.3713 Euro 2	4 Cyl.	21:1	2499cc	60kW (82)PS	TD26295
8140.67F.3721 Euro 2	4 Cyl.	21:1	2499cc	60kW (82)PS	TD26296

			
87-425000-10 STD 87-425008-10 0.60mm	08-425000-00 STD 08-425008-00 0.60mm	14-021371-00 D B 96.01 C 171.00 D 98.92 E 5.00 14-021372-00 D B 96.05 C 171.00 D 98.92 E 5.00 14-021373-00 D B 96.17 C 171.00 D 98.92 E 5.00 14-021480-00 DH [11] B 97.04 C 171.00 D 100.00 E 5.00	
A 54.00 B- 2.20 D 89.00  32x68 HA RT	3.00  CR P 2.00  P 3.00  CR P		


									
BE/PL	4	56.520/56.535	60.333/60.345	24.700	1.870	0.020/0.072	BS	1870CP	71-4130/4 STD 0.25 0.50 0.75
BE/PL	4	56.520/56.535	60.333/60.345	24.700	1.870	0.020/0.070	BS	66575CP	71-4185/4 STD 0.25 0.50 0.75



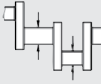
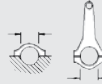





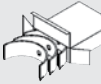
1870CP

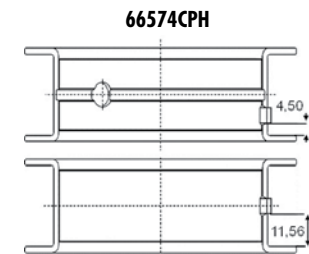
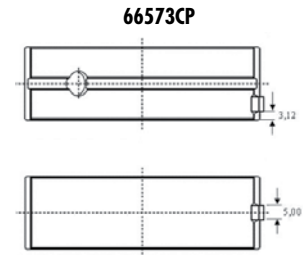
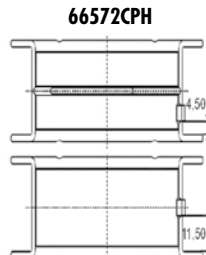
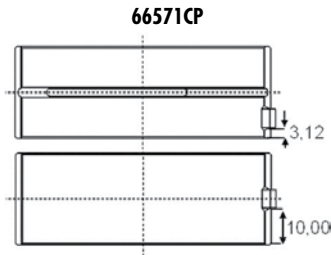
66575CP





...Continued

1300  **93.00 Diesel**

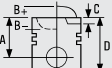
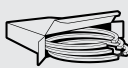
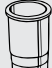
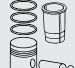
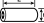



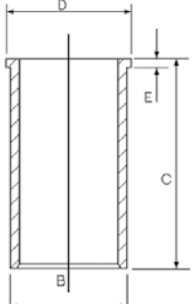
									
MB/HL 1-4	4	76.187/76.200	80.586/80.607	24.990	2.172	0.042/0.100	BS	66571CP	H1049/5 STD 0.25 0.50 0.75
MB/HL 5	1	76.187/76.200	80.586/80.607	31.950	2.172	0.042/0.100	BS	66572CPH	
MB/HL 1-4	4	76.187/76.200	80.586/80.607	24.990	2.172	0.038/0.097	BS	66573CP	H1094/5 STD 0.25
MB/HL 5	1	76.187/76.200	80.586/80.607	31.950	2.172	0.038/0.097	BS	66574CPH	



SE/PB	1	31.990/31.996	34.895/34.920	30.700			BS	66579YA	55-4186 SEMI
-------	---	---------------	---------------	--------	--	--	----	---------	-----------------

1301  **93.00 Diesel** 

8140.67F.3700 Euro 2 4 Cyl. 21:1 2499cc 60-63kW (82-86)PS TD20428 662

			
<p>87-425000-10 STD</p> <p>87-425008-10 0.60mm</p> <p>A 54.00</p> <p>B- 2.20</p> <p>D 89.00</p> <p> 32x68</p> <p>HA RT</p>	<p>08-425000-00 STD</p> <p>08-425008-00 0.60mm</p> <p>3.00  CR P</p> <p>2.00  P</p> <p>3.00  CR P</p>	<p>14-021371-00 D</p> <p>B 96.01 C 171.00 D 98.92 E 5.00</p> <p>14-021372-00 D</p> <p>B 96.05 C 171.00 D 98.92 E 5.00</p> <p>14-021373-00 D</p> <p>B 96.17 C 171.00 D 98.92 E 5.00</p> <p>14-021480-00 DH [11]</p> <p>B 97.04 C 171.00 D 100.00 E 5.00</p> 	

[11] Nitrided

[11] Nitridé

[11] Nitrurato

[11] Nitrurado

1301	93.00	Diesel
<p>JJ519</p> <p>JJ519</p>		<p>NP067 50.00x70.00x10.00mm, FPM NF883 114.00x177.00x13.00mm, FPM NF885 70.00x179.00x16.00mm, FPM</p>

1302	93.00	Diesel				
8140.67F. Euro 2	4 Cyl.	21:1	2499cc	60kW (82)PS	TD7226	663
<p>87-425000-10 STD 87-425008-10 0.60mm eng. →2573053</p> <p>A 54.00 B- 2.20 D 89.00 32x68</p> <p>HA RT</p>	 	<p>08-425000-00 STD 08-425008-00 0.60mm</p> <p>3.00 CR P 2.00 P 3.00 CR P</p>	<p>14-021371-00 D B 96.01 C 171.00 D 98.92 E 5.00 14-021372-00 D B 96.05 C 171.00 D 98.92 E 5.00 14-021373-00 D B 96.17 C 171.00 D 98.92 E 5.00 14-021480-00 DH [11] B 97.04 C 171.00 D 100.00 E 5.00</p>			
[11] Nitrided	[11] Nitride	[11] Nitruato	[11] Nitruado			

BE/PL	4	56.520/56.535	60.333/60.345	24.700	1.870	0.020/0.072	BS	1870CP	71-4130/4 STD 0.25 0.50 0.75
MB/HL 5	1	86.182/86.208	90.588/90.614	30.950	2.164	0.052/0.129	BS	4691CPH	H1104/5 STD 0.25 0.50
MB/HL 1-4	4	80.182/80.208	84.588/84.614	23.800	2.164	0.052/0.129	BS	4692CP	
SE/PB	1	31.990/31.996	34.895/34.920	30.700			BS	66579YA	55-4186 SEMI

EW091	Diesel
<p>JH5178 Soft Material Gasket JJ519</p> <p>JH5178 JJ519</p>	
<p>NP067 50.00x70.00x10.00mm, FPM NF883 114.00x177.00x13.00mm, FPM NF885 70.00x179.00x16.00mm, FPM</p>	

1303

93.00

Diesel



8140.97.2781

4 Cyl.

18:1

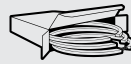
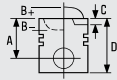
2499cc

68kW (92)PS

Turbo Intercooled

TD1717

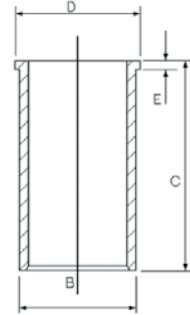
664



08-245200-00 STD
08-245208-00 0.60mm

3.00 CR P
2.00 P
3.00 CR P

14-028930-00 D
B 97.50 C 167.00 D 100.90 E 5.00
14-028931-00 D
B 97.58 C 167.00 D 100.90 E 5.00
14-028932-00 D
B 97.70 C 167.00 D 100.90 E 5.00



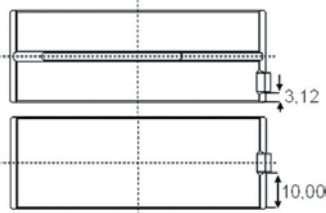
BE/PL	4	56.520/56.535	60.333/60.345	24.700	1.870	0.020/0.072	BS	1870CP	71-4130/4 STD 0.25 0.50 0.75
MB/HL 1-4	4	76.187/76.200	80.586/80.607	24.990	2.172	0.042/0.100	BS	66571CP	H1049/5 STD 0.25 0.50 0.75
MB/HL 5	1	76.187/76.200	80.586/80.607	31.950	2.172	0.042/0.100	BS	66572CPH	

Mot. → 1846776

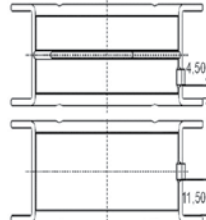
MB/HL 1-4	4	76.187/76.200	80.586/80.607	24.990	2.172	0.038/0.097	BS	66573CP	H1094/5 STD 0.25
MB/HL 5	1	76.187/76.200	80.586/80.607	31.950	2.172	0.038/0.097	BS	66574CPH	

Mot. 1846777 →

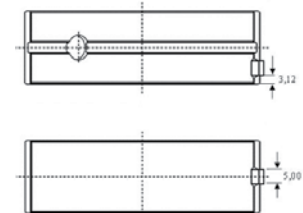
66571CP



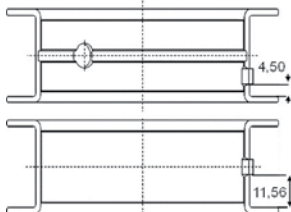
66572CPH



66573CP



66574CPH



SE/PB	1	31.990/31.996	34.895/34.920	30.700			BS	66579YA	55-4186 SEMI
-------	---	---------------	---------------	--------	--	--	----	---------	------------------------

FIAT GROUP

...Continued

1303	93.00	Diesel
	JJ519 	NF853 100.00x118.00x10.00mm, FPM
	JJ519 	

1304	93.00	Diesel	
8140.97.2783	4 Cyl.	2499cc	Turbocharged
			FM29100
	08-245200-00 STD 08-245208-00 0.60mm 3.00 CR P 2.00 P 3.00 CR P	14-028930-00 D B 97.50 C 167.00 D 100.90 E 5.00 14-028931-00 D B 97.58 C 167.00 D 100.90 E 5.00 14-028932-00 D B 97.70 C 167.00 D 100.90 E 5.00 	

1305	93.00	Diesel	
8144.67.220	4 Cyl.	22:1	2499cc
			55kW (75)PS
			TD147 666
87-783300-00 STD 87-783308-00 0.60mm A 54.00 B- 2.20 D 89.00 32x75 HA RT 	08-783300-00 STD 08-783308-00 0.60mm 3.00 CR P 2.00 P 3.00 CR P	14-021280-00 DH [11] B 97.03 C 167.00 D 100.00 E 5.00 14-028930-00 D B 97.50 C 167.00 D 100.90 E 5.00 14-028931-00 D B 97.58 C 167.00 D 100.90 E 5.00 14-028932-00 D B 97.70 C 167.00 D 100.90 E 5.00 	

[11] Nitrided



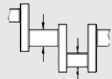
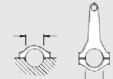





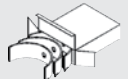
[11] Nitridé

[11] Niturato

[11] Niturado

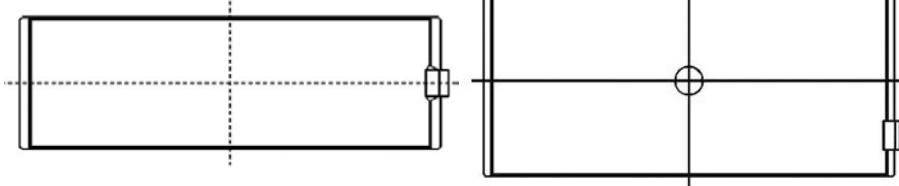
...Continued

1305  **93.00 Diesel**

									
BE/PL	4	56.520/56.535	60.333/60.345	24.700	1.870	0.020/0.072	BS	1870CP	71-4130/4 STD 0.25 0.50 0.75
BE/PL	4	56.520/56.535	60.333/60.345	24.700	1.870	0.020/0.070	BS	66575CP	71-4185/4 STD 0.25 0.50 0.75

1870CP

66575CP

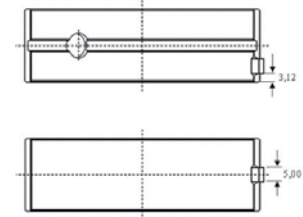
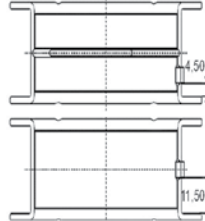
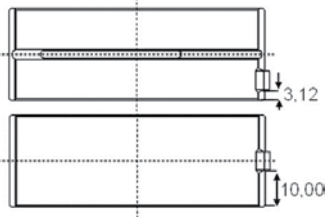


MB/HL 1-4	4	76.187/76.200	80.586/80.607	24.990	2.172	0.042/0.100	BS	66571CP	H1049/5 STD 0.25 0.50 0.75
MB/HL 5	1	76.187/76.200	80.586/80.607	31.950	2.172	0.042/0.100	BS	66572CPH	
MB/HL 1-4	4	76.187/76.200	80.586/80.607	24.990	2.172	0.038/0.097	BS	66573CP	H1094/5 STD 0.25
MB/HL 5	1	76.187/76.200	80.586/80.607	31.950	2.172	0.038/0.097	BS	66574CPH	

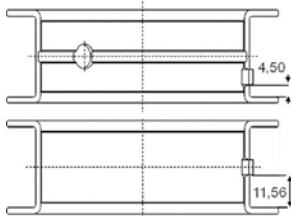
66571CP

66572CPH

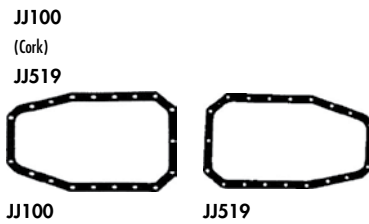
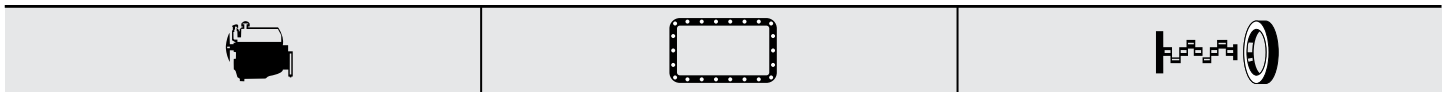
66573CP



66574CPH



SE/PB	1	31.990/31.996	34.895/34.920	30.700			BS	66579YA	55-4186 SEMI
-------	---	---------------	---------------	--------	--	--	----	---------	------------------------



NF833  90.00x115.00x13.00mm, FPM

1306

93.00

Diesel



8144.67.220

4 Cyl.

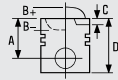
22:1

2499cc

55kW (75)PS

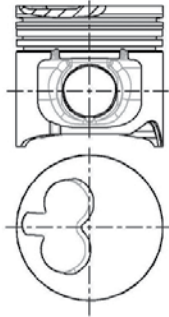
TD6797

665



87-783300-00
87-783308-00

STD
0.60mm



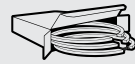
A 54.00
B- 2.20
D 89.00
 32x75

HA RT

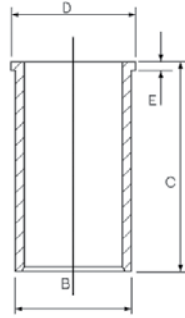
08-783300-00
08-783308-00

STD
0.60mm

3.00 CR P
2.00 P
3.00 CR P



14-021280-00 DH [11]
B 97.03 C 167.00 D 100.00 E 5.00
14-028930-00 D
B 97.50 C 167.00 D 100.90 E 5.00
14-028931-00 D
B 97.58 C 167.00 D 100.90 E 5.00
14-028932-00 D
B 97.70 C 167.00 D 100.90 E 5.00



[11] Nitrided

[11] Nitridé

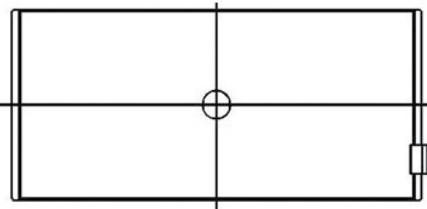
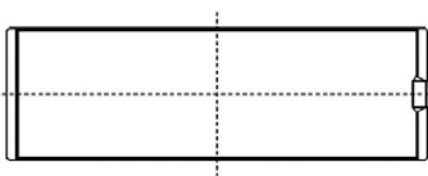
[11] Nitruato

[11] Nitruado

BE/PL	4	56.520/56.535	60.333/60.345	24.700	1.870	0.020/0.072	BS	1870CP	71-4130/4 STD 0.25 0.50 0.75
BE/PL	4	56.520/56.535	60.333/60.345	24.700	1.870	0.020/0.070	BS	66575CP	71-4185/4 STD 0.25 0.50 0.75

1870CP

66575CP

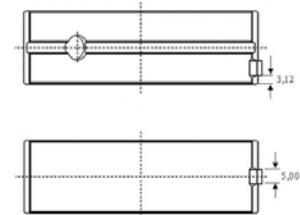
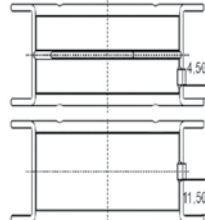
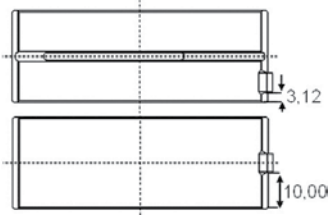


MB/HL 1-4	4	76.187/76.200	80.586/80.607	24.990	2.172	0.042/0.100	BS	66571CP	H1049/5 STD 0.25 0.50 0.75
MB/HL 5	1	76.187/76.200	80.586/80.607	31.950	2.172	0.042/0.100	BS	66572CPH	
MB/HL 1-4	4	76.187/76.200	80.586/80.607	24.990	2.172	0.038/0.097	BS	66573CP	H1094/5 STD 0.25
MB/HL 5	1	76.187/76.200	80.586/80.607	31.950	2.172	0.038/0.097	BS	66574CPH	

66571CP

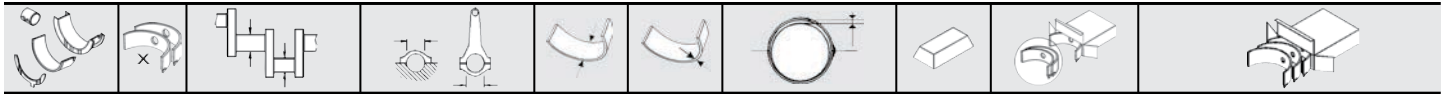
66572CPH

66573CP

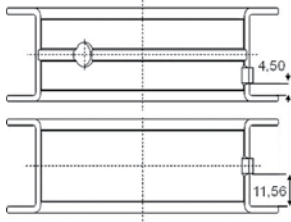


...Continued

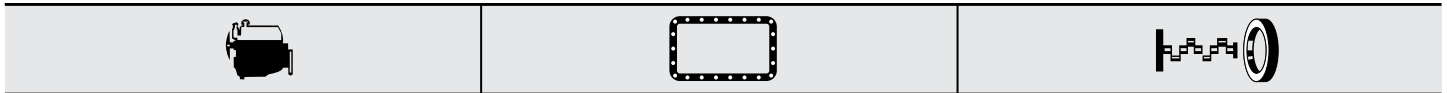
1306  **93.00** Diesel



66574CPH



SE/PB	1	31.990/31.996	34.895/34.920	30.700		BS	66579YA	55-4186 SEMI
-------	---	---------------	---------------	--------	--	----	---------	-----------------



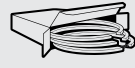
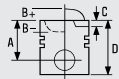
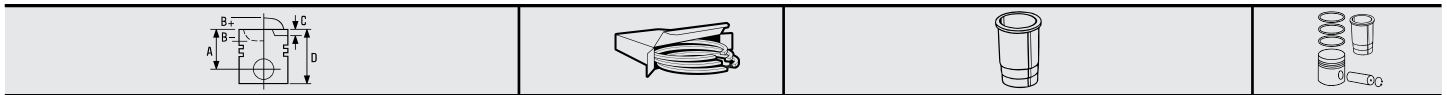
JJ519






JJ519

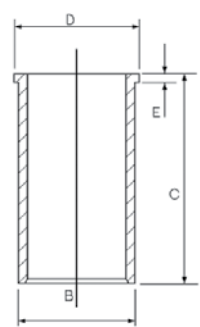
1307  **93.00** Diesel 

8144.97	4 Cyl.		2499cc	85kW (115)PS	Turbo Intercooled	TD1061	668
8144.97 S	4 Cyl.	21:1	2500cc	77kW (105)PS	Turbo Intercooled	TD1059	680
8144.97.2400	4 Cyl.	21:1	2499cc	83-87kW (113-118)PS	Turbo Intercooled	TD22316	670



08-245200-00	STD
08-245208-00	0.60mm
3.00	 CR P
2.00	 P
3.00	 CR P

14-021371-00 D	B 96.01	C 171.00	D 98.92	E 5.00
14-021372-00 D	B 96.05	C 171.00	D 98.92	E 5.00
14-021373-00 D	B 96.17	C 171.00	D 98.92	E 5.00
14-021480-00 DH [11]	B 97.04	C 171.00	D 100.00	E 5.00



[11] Nitrided

[11] Nitridé



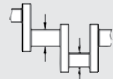
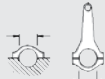





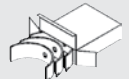
[11] Nitrurato

[11] Nitrurado

1307

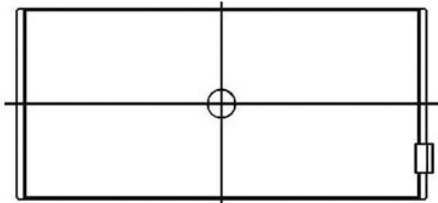
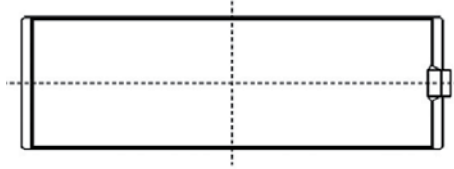
 **93.00**

Diesel

									
BE/PL	4	56.520/56.535	60.333/60.345	24.700	1.870	0.020/0.072	BS	1870CP	71-4130/4 STD 0.25 0.50 0.75
BE/PL	4	56.520/56.535	60.333/60.345	24.700	1.870	0.020/0.070	BS	66575CP	71-4185/4 STD 0.25 0.50 0.75

1870CP

66575CP

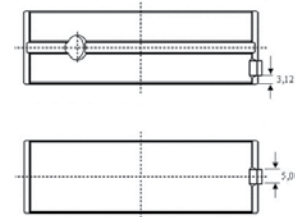
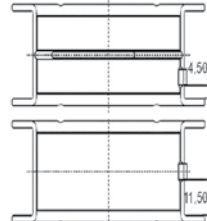
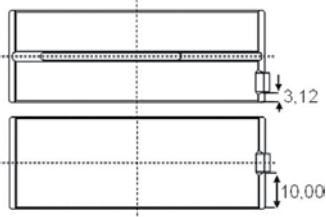


MB/HL 1-4	4	76.187/76.200	80.586/80.607	24.990	2.172	0.042/0.100	BS	66571CP	H1049/5 STD 0.25 0.50 0.75
MB/HL 5	1	76.187/76.200	80.586/80.607	31.950	2.172	0.042/0.100	BS	66572CPH	
MB/HL 1-4	4	76.187/76.200	80.586/80.607	24.990	2.172	0.038/0.097	BS	66573CP	H1094/5 STD 0.25
MB/HL 5	1	76.187/76.200	80.586/80.607	31.950	2.172	0.038/0.097	BS	66574CPH	

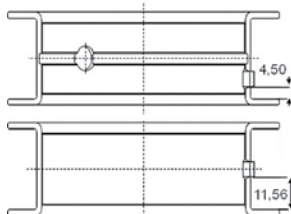
66571CP

66572CPH

66573CP




66574CPH



SE/PB	1	31.990/31.996	34.895/34.920	30.700			BS	66579YA	55-4186 SEMI
-------	---	---------------	---------------	--------	--	--	----	---------	------------------------



NF853  100.00x118.00x10.00mm, FPM

1308

 93.00

Diesel



8144.97 4 Cyl. 22:1 2499cc 85kW (115)PS Turbocharged TD4601 667

	<p>08-245200-00 STD 08-245208-00 0.60mm</p> <p>3.00 CR P 2.00 P 3.00 CR P</p>	<p>14-021371-00 D B 96.01 C 171.00 D 98.92 E 5.00 14-021372-00 D B 96.05 C 171.00 D 98.92 E 5.00 14-021373-00 D B 96.17 C 171.00 D 98.92 E 5.00 14-021480-00 DH [11] B 97.04 C 171.00 D 100.00 E 5.00</p>	

[11] Nitrided

[11] Nitridé

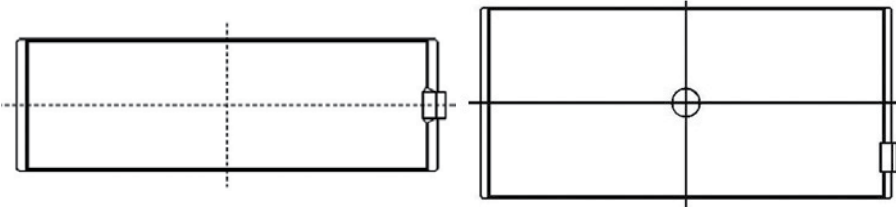
[11] Nitruato

[11] Nitruado

BE/PL	4	56.520/56.535	60.333/60.345	24.700	1.870	0.020/0.072	BS	1870CP	71-4130/4 STD 0.25 0.50 0.75
BE/PL	4	56.520/56.535	60.333/60.345	24.700	1.870	0.020/0.070	BS	66575CP	71-4185/4 STD 0.25 0.50 0.75

1870CP



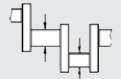
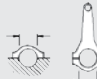






66575CP



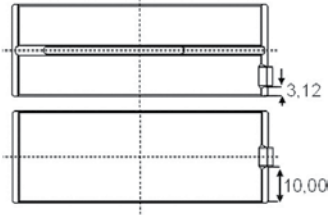
1308

 **93.00**

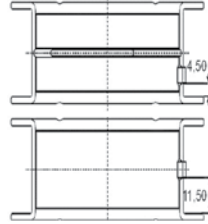
Diesel

									
MB/HL 1-4	4	76.187/76.200	80.586/80.607	24.990	2.172	0.042/0.100	BS	66571CP	H1049/5 STD 0.25 0.50 0.75
MB/HL 5	1	76.187/76.200	80.586/80.607	31.950	2.172	0.042/0.100	BS	66572CPH	
MB/HL 1-4	4	76.187/76.200	80.586/80.607	24.990	2.172	0.038/0.097	BS	66573CP	H1094/5 STD 0.25
MB/HL 5	1	76.187/76.200	80.586/80.607	31.950	2.172	0.038/0.097	BS	66574CPH	

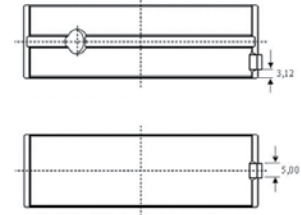
66571CP



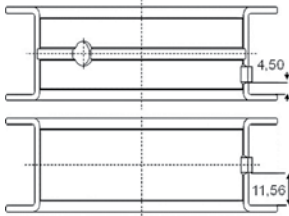
66572CPH



66573CP



66574CPH



SE/PB	1	31.990/31.996	34.895/34.920	30.700		BS	66579YA	55-4186 SEMI
-------	---	---------------	---------------	--------	--	----	---------	------------------------



JJ317

NF853  100.00x118.00x10.00mm, FPM



JJ317

1309

93.00

Diesel



8144.97.2200

4 Cyl.

22:1

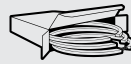
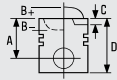
2499cc

85-87kW (116-118)PS

Turbo Intercooled

TD19036

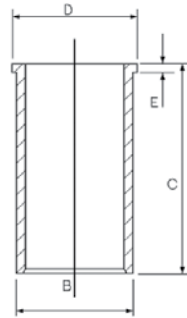
669



08-245200-00 STD
08-245208-00 0.60mm

3.00 CR P
 2.00 P
 3.00 CR P

14-021371-00 D
B 96.01 C 171.00 D 98.92 E 5.00
14-021372-00 D
B 96.05 C 171.00 D 98.92 E 5.00
14-021373-00 D
B 96.17 C 171.00 D 98.92 E 5.00
14-021480-00 DH [11]
B 97.04 C 171.00 D 100.00 E 5.00



[11] Nitrided

[11] Nitridé

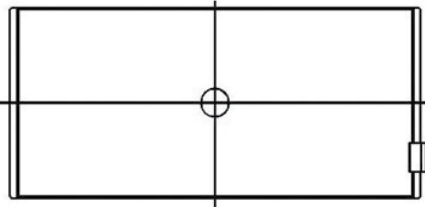
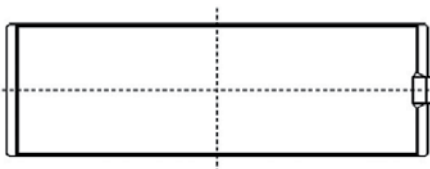
[11] Nitruato

[11] Nitruado



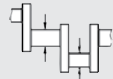
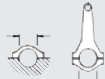






BE/PL	4	56.520/56.535	60.333/60.345	24.700	1.870	0.020/0.072	BS	1870CP	71-4130/4 STD 0.25 0.50 0.75
BE/PL	4	56.520/56.535	60.333/60.345	24.700	1.870	0.020/0.070	BS	66575CP	71-4185/4 STD 0.25 0.50 0.75

1870CP

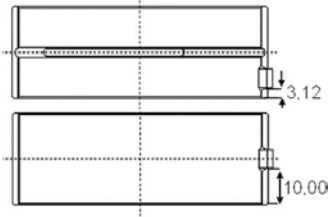
66575CP



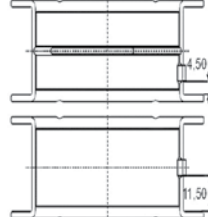
1309  **93.00** **Diesel**

									
MB/HL 1-4	4	76.187/76.200	80.586/80.607	24.990	2.172	0.042/0.100	BS	66571CP	H1049/5 STD 0.25 0.50 0.75
MB/HL 5	1	76.187/76.200	80.586/80.607	31.950	2.172	0.042/0.100	BS	66572CPH	
MB/HL 1-4	4	76.187/76.200	80.586/80.607	24.990	2.172	0.038/0.097	BS	66573CP	H1094/5 STD 0.25
MB/HL 5	1	76.187/76.200	80.586/80.607	31.950	2.172	0.038/0.097	BS	66574CPH	

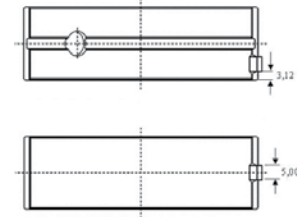
66571CP



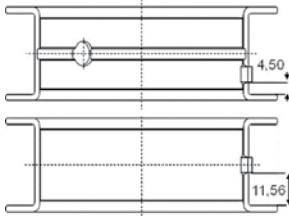
66572CPH



66573CP



66574CPH



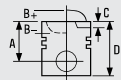
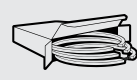


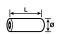



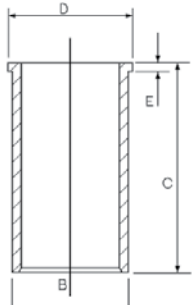
SE/PB	1	31.990/31.996	34.895/34.920	30.700			BS	66579YA	55-4186 SEMI
-------	---	---------------	---------------	--------	--	--	----	---------	------------------------



NP067  50.00x70.00x10.00mm, FPM

1310  **93.00** **Diesel** 

8140.07.2585 Euro I 4 Cyl. 18.5:1 2500cc 55kW (75)PS TD20437 671

			
<p>87-425000-00 STD</p> <p>87-425008-00 0.60mm</p> <p>A 58.75</p> <p>B- 16.90</p> <p>BØ 40.00</p> <p>D 96.75</p> <p> 32x75</p> <p>RT</p>	<p>08-425000-00 STD</p> <p>08-425008-00 0.60mm</p> <p>3.00  CR P</p> <p>2.00  P</p> <p>3.00  CR P</p>	<p>14-021371-00 D</p> <p>B 96.01 C 171.00 D 98.92 E 5.00</p> <p>14-021372-00 D</p> <p>B 96.05 C 171.00 D 98.92 E 5.00</p> <p>14-021373-00 D</p> <p>B 96.17 C 171.00 D 98.92 E 5.00</p> <p>14-021480-00 DH [11]</p> <p>B 97.04 C 171.00 D 100.00 E 5.00</p> <p></p>	

[11] Nitrided



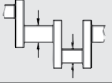
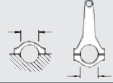





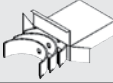
[11] Nitridé

[11] Niturato

[11] Niturado

...Continued

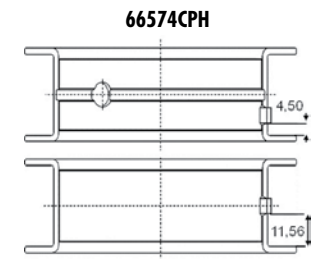
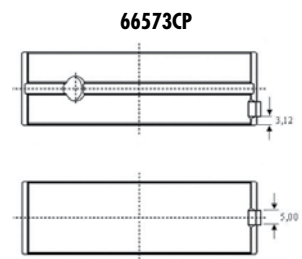
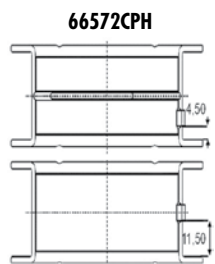
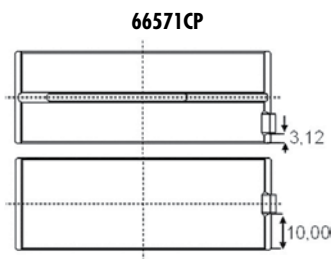
1310  **93.00** **Diesel**

									
BE/PL	4	56.520/56.535	60.333/60.345	24.700	1.870	0.020/0.072	BS	1870CP	71-4130/4 STD 0.25 0.50 0.75
MB/HL 1-4	4	76.187/76.200	80.586/80.607	24.990	2.172	0.042/0.100	BS	66571CP	H1049/5 STD 0.25 0.50 0.75
MB/HL 5	1	76.187/76.200	80.586/80.607	31.950	2.172	0.042/0.100	BS	66572CPH	

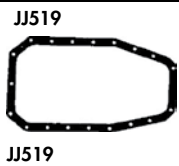
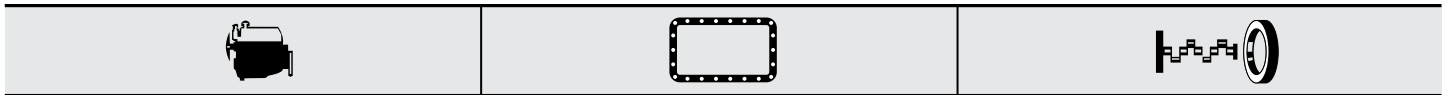
→12/92, Mot.→1846776


MB/HL 1-4	4	76.187/76.200	80.586/80.607	24.990	2.172	0.038/0.097	BS	66573CP	H1094/5 STD 0.25
MB/HL 5	1	76.187/76.200	80.586/80.607	31.950	2.172	0.038/0.097	BS	66574CPH	

Mot.1846777→



SE/PB	1	31.990/31.996	34.895/34.920	30.700			BS	66579YA	55-4186 SEMI
-------	---	---------------	---------------	--------	--	--	----	---------	------------------------



NP067  50.00x70.00x10.00mm, FPM

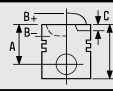
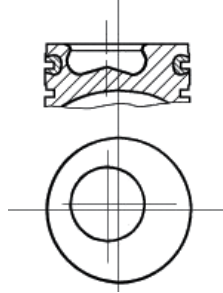
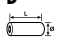
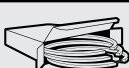



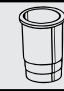
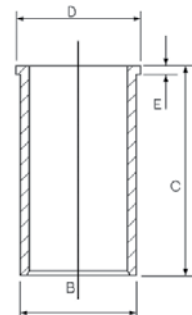

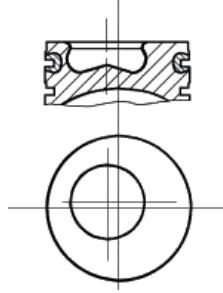




1311

 93.00



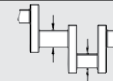
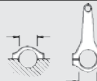





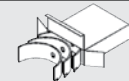
Diesel



8140.27 4 Cyl. 18.5:1 2500cc **70kW (95)PS** **Turbocharged** **TD1047** **672**

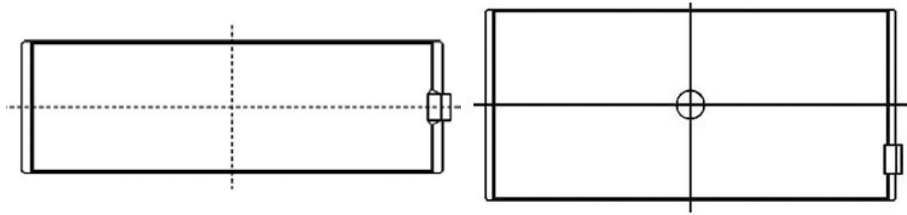
 <p>87-245200-40 87-245208-40</p> <p>STD 0.60mm</p>  <p>A 58.75 B- 17.90 BØ 38.00 D 96.75  32x75</p> <p>RT</p>	 <p>08-245200-00 STD 08-245208-00 0.60mm</p> <p>3.00  CR P 2.00  P 3.00  CR P</p>	 <p>14-021371-00 D B 96.01 C 171.00 D 98.92 E 5.00 14-021372-00 D B 96.05 C 171.00 D 98.92 E 5.00 14-021373-00 D B 96.17 C 171.00 D 98.92 E 5.00 14-021480-00 DH [11] B 97.04 C 171.00 D 100.00 E 5.00</p> 	
<p>87-245200-50 87-245208-50</p> <p>STD 0.60mm</p>  <p>A 58.75 B- 17.90 BØ 38.00 D 96.75  32x78</p> <p>AK NB RT</p>	<p>08-245200-00 STD 08-245208-00 0.60mm</p> <p>3.00  CR P 2.00  P 3.00  CR P</p>		

[11] Nitrided [11] Nitride [11] Nitrurato [11] Nitrurado

									
BE/PL	4	56.520/56.535	60.333/60.345	24.700	1.870	0.020/0.072	BS	1870CP	71-4130/4 STD 0.25 0.50 0.75
BE/PL	4	56.520/56.535	60.333/60.345	24.700	1.870	0.020/0.070	BS	66575CP	71-4185/4 STD 0.25 0.50 0.75

1870CP

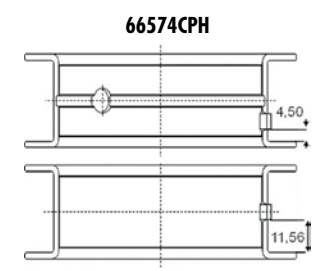
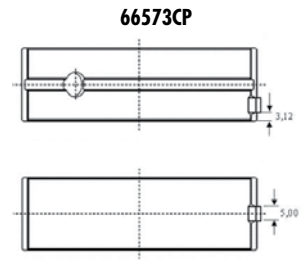
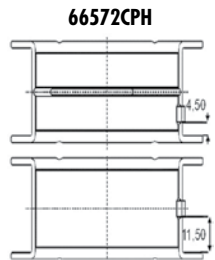
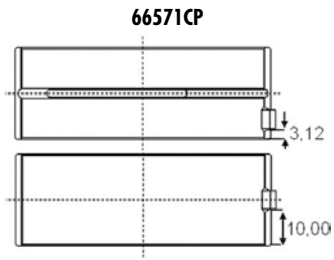
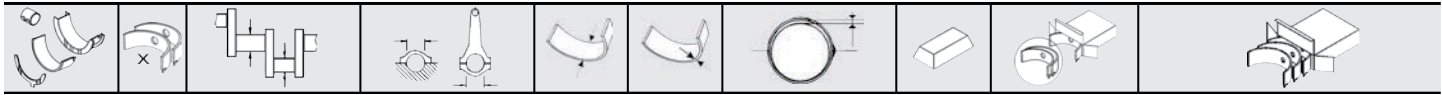
66575CP



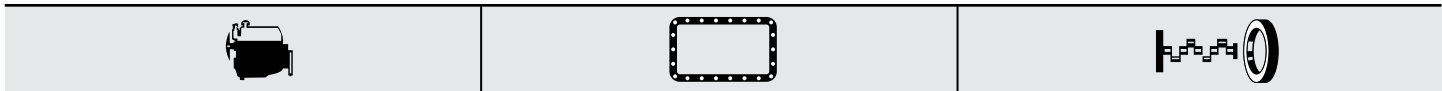
MB/HL 1-4	4	76.187/76.200	80.586/80.607	24.990	2.172	0.042/0.100	BS	66571CP	H1049/5 STD 0.25 0.50 0.75
MB/HL 5	1	76.187/76.200	80.586/80.607	31.950	2.172	0.042/0.100	BS	66572CPH	
MB/HL 1-4	4	76.187/76.200	80.586/80.607	24.990	2.172	0.038/0.097	BS	66573CP	H1094/5 STD 0.25
MB/HL 5	1	76.187/76.200	80.586/80.607	31.950	2.172	0.038/0.097	BS	66574CPH	

...Continued



1311  **93.00** Diesel

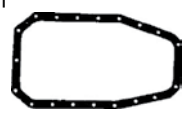


SE/PB	1	31.990/31.996	34.895/34.920	30.700		BS	66579YA	55-4186 SEMI
-------	---	---------------	---------------	--------	--	----	---------	-----------------



JJ519

NB946  70.00x90.00x10.00mm, FPM
NF853  100.00x118.00x10.00mm, FPM



JJ519

1312

93.00

Diesel



8140.27.2100

4 Cyl.

18.5:1

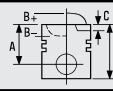
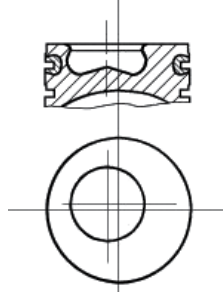
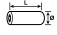
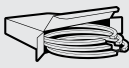




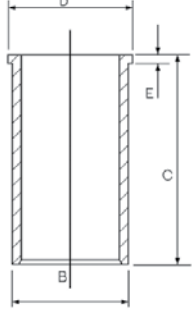

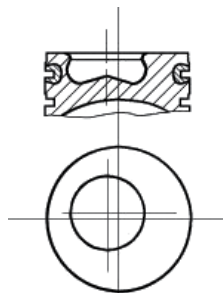
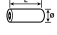



2500cc

70kW (95)PS



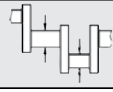
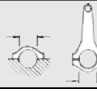




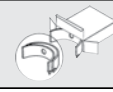
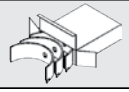
Turbocharged

TD6800

673

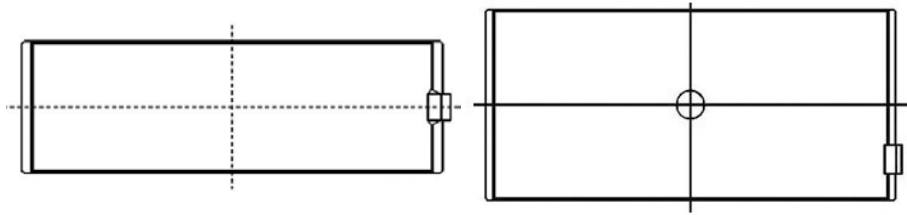
 <p>87-245200-40 87-245208-40</p> <p>STD 0.60mm</p>  <p>A 58.75 B- 17.90 BØ 38.00 D 96.75  32x75</p> <p>RT</p>	 <p>08-245200-00 STD 08-245208-00 0.60mm</p> <p>3.00  CR P 2.00  P 3.00  CR P</p>	 <p>14-021371-00 D B 96.01 C 171.00 D 98.92 E 5.00 14-021372-00 D B 96.05 C 171.00 D 98.92 E 5.00 14-021373-00 D B 96.17 C 171.00 D 98.92 E 5.00 14-021480-00 DH [11] B 97.04 C 171.00 D 100.00 E 5.00</p> 	
<p>87-245200-50 87-245208-50</p> <p>STD 0.60mm</p>  <p>A 58.75 B- 17.90 BØ 38.00 D 96.75  32x78</p> <p>AK NB RT</p>	<p>08-245200-00 STD 08-245208-00 0.60mm</p> <p>3.00  CR P 2.00  P 3.00  CR P</p>		

[11] Nitrided [11] Nitride [11] Nitrurato [11] Nitrurado

									
BE/PL	4	56.520/56.535	60.333/60.345	24.700	1.870	0.020/0.072	BS	1870CP	71-4130/4 STD 0.25 0.50 0.75
BE/PL	4	56.520/56.535	60.333/60.345	24.700	1.870	0.020/0.070	BS	66575CP	71-4185/4 STD 0.25 0.50 0.75

1870CP

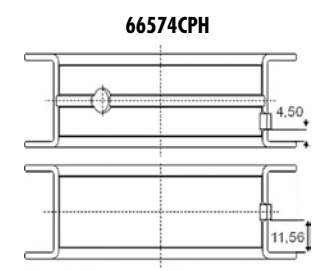
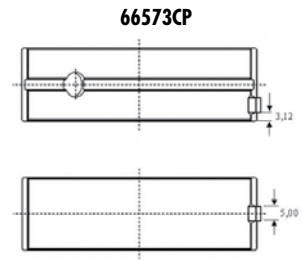
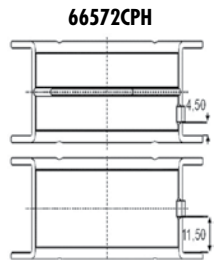
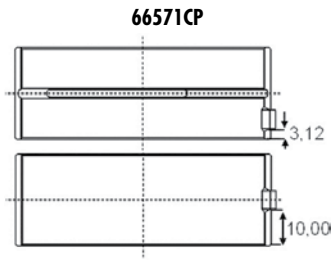
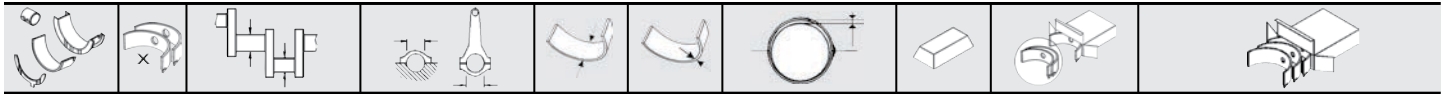
66575CP



MB/HL 1-4	4	76.187/76.200	80.586/80.607	24.990	2.172	0.042/0.100	BS	66571CP	H1049/5 STD 0.25 0.50 0.75
MB/HL 5	1	76.187/76.200	80.586/80.607	31.950	2.172	0.042/0.100	BS	66572CPH	
MB/HL 1-4	4	76.187/76.200	80.586/80.607	24.990	2.172	0.038/0.097	BS	66573CP	H1094/5 STD 0.25
MB/HL 5	1	76.187/76.200	80.586/80.607	31.950	2.172	0.038/0.097	BS	66574CPH	

...Continued

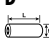
1312  **93.00 Diesel**



SE/PB	1	31.990/31.996	34.895/34.920	30.700		BS	66579YA	55-4186 SEMI
-------	---	---------------	---------------	--------	--	----	---------	--------------

1313  **93.00 Diesel** 

8140.47	4 Cyl.	18.5:1	2500cc	80-85kW (109-116)PS	Turbocharged	TD1048	674
8140.47R	4 Cyl.	18.5:1	2500cc	80kW (110)PS	Turbocharged	TD1049	675



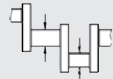
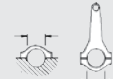





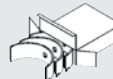
<p>87-520200-00 STD</p> <p>A 58.75 B- 18.40 BØ 38.00 D 96.75  32x78</p> <p>AK KK NB RT</p>	<p>08-520200-00 STD</p> <p>3.00 CR 2.00 P 3.00 CR P</p>	<p>14-021371-00 D B 96.01 C 171.00 D 98.92 E 5.00</p> <p>14-021372-00 D B 96.05 C 171.00 D 98.92 E 5.00</p> <p>14-021373-00 D B 96.17 C 171.00 D 98.92 E 5.00</p> <p>14-021480-00 DH [11] B 97.04 C 171.00 D 100.00 E 5.00</p>	

[11] Nitrided [11] Nitridé [11] Nitrurato [11] Nitrurado

1313

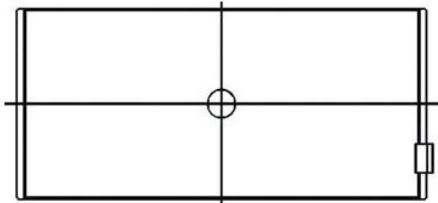
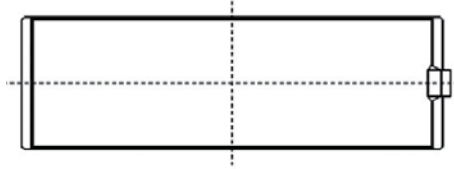
 **93.00**

Diesel

									
BE/PL	4	56.520/56.535	60.333/60.345	24.700	1.870	0.020/0.072	BS	1870CP	71-4130/4 STD 0.25 0.50 0.75
BE/PL	4	56.520/56.535	60.333/60.345	24.700	1.870	0.020/0.070	BS	66575CP	71-4185/4 STD 0.25 0.50 0.75

1870CP

66575CP

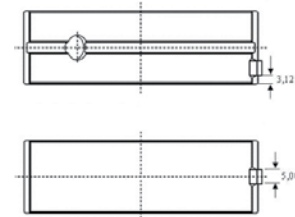
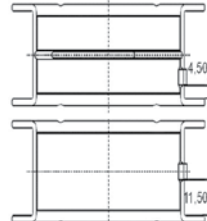
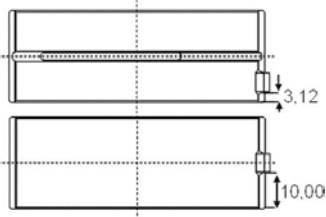


MB/HL 1-4	4	76.187/76.200	80.586/80.607	24.990	2.172	0.042/0.100	BS	66571CP	H1049/5 STD 0.25 0.50 0.75
MB/HL 5	1	76.187/76.200	80.586/80.607	31.950	2.172	0.042/0.100	BS	66572CPH	
MB/HL 1-4	4	76.187/76.200	80.586/80.607	24.990	2.172	0.038/0.097	BS	66573CP	H1094/5 STD 0.25
MB/HL 5	1	76.187/76.200	80.586/80.607	31.950	2.172	0.038/0.097	BS	66574CPH	

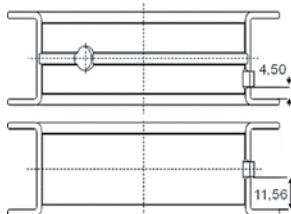
66571CP

66572CPH

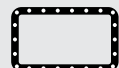
66573CP



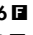

66574CPH



SE/PB	1	31.990/31.996	34.895/34.920	30.700			BS	66579YA	55-4186 SEMI
-------	---	---------------	---------------	--------	--	--	----	---------	------------------------



JH5178
Soft Material Gasket

NB946  70.00x90.00x10.00mm, FPM
NF853  100.00x118.00x10.00mm, FPM



JH5178

1314

93.00

Diesel



8140.67

4 Cyl.

22:1

2500cc

55-62kW (75-84)PS

TD1052

676

<p>87-425000-10 STD</p> <p>87-425008-10 0.60mm</p> <p>A 54.00 B- 2.20 D 89.00 32x68</p> <p>HA RT</p>	<p>08-425000-00 STD</p> <p>08-425008-00 0.60mm</p> <p>3.00 CR P 2.00 P 3.00 CR P</p>	<p>14-021371-00 D B 96.01 C 171.00 D 98.92 E 5.00</p> <p>14-021372-00 D B 96.05 C 171.00 D 98.92 E 5.00</p> <p>14-021373-00 D B 96.17 C 171.00 D 98.92 E 5.00</p> <p>14-021480-00 DH [11] B 97.04 C 171.00 D 100.00 E 5.00</p>	

[11] Nitrided

[11] Nitridé

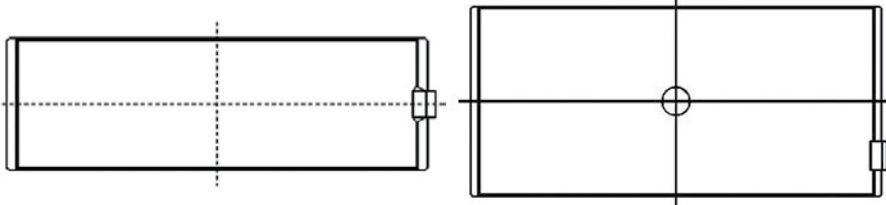
[11] Nitrurato

[11] Nitrurado

BE/PL	4	56.520/56.535	60.333/60.345	24.700	1.870	0.020/0.072	BS	1870CP	71-4130/4 STD 0.25 0.50 0.75
BE/PL	4	56.520/56.535	60.333/60.345	24.700	1.870	0.020/0.070	BS	66575CP	71-4185/4 STD 0.25 0.50 0.75

1870CP



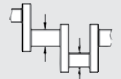
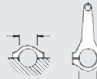






66575CP



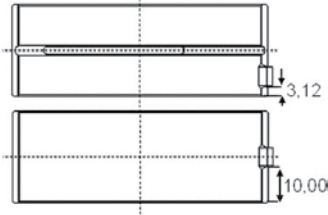
1314

 **93.00**

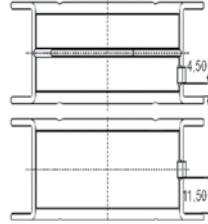
Diesel

									
MB/HL 1-4	4	76.187/76.200	80.586/80.607	24.990	2.172	0.042/0.100	BS	66571CP	H1049/5 STD 0.25 0.50 0.75
MB/HL 5	1	76.187/76.200	80.586/80.607	31.950	2.172	0.042/0.100	BS	66572CPH	
MB/HL 1-4	4	76.187/76.200	80.586/80.607	24.990	2.172	0.038/0.097	BS	66573CP	H1094/5 STD 0.25
MB/HL 5	1	76.187/76.200	80.586/80.607	31.950	2.172	0.038/0.097	BS	66574CPH	

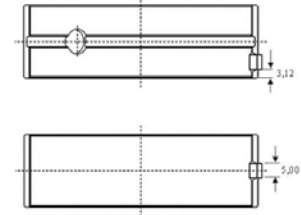
66571CP



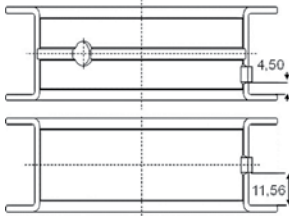
66572CPH



66573CP



66574CPH





SE/PB	1	31.990/31.996	34.895/34.920	30.700		BS	66579YA	55-4186 SEMI
-------	---	---------------	---------------	--------	--	----	---------	------------------------





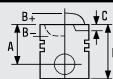
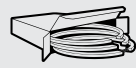

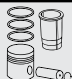
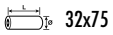



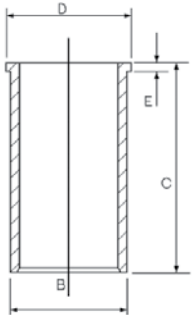
JH5178
Soft Material Gasket





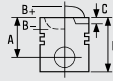
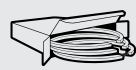
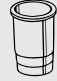

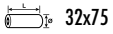



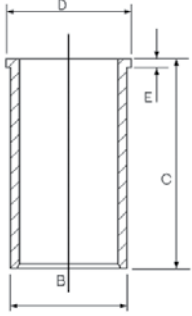
JH5178



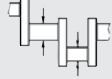
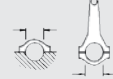






NB946  70.00x90.00x10.00mm, FPM
NF853  100.00x118.00x10.00mm, FPM

1315  **93.00 Diesel** 
8140.67 (290B7W), 8144.67 4 Cyl. 22:1 2500cc **FM9170 613**

			
<p>87-783300-00 STD 87-783308-00 0.60mm</p> <p>A 54.00 B- 2.20 D 89.00  32x75</p> <p>HA RT</p>	<p>08-783300-00 STD 08-783308-00 0.60mm</p> <p>3.00  CR P 2.00  P 3.00  CR P</p>	<p>14-021280-00 DH [11] B 97.03 C 167.00 D 100.00 E 5.00 14-022560-00 D B 96.00 C 167.30 D 98.90 E 5.00 14-028930-00 D B 97.50 C 167.00 D 100.90 E 5.00</p> 	
[11] Nitrided	[11] Nitridé	[11] Nitruato	[11] Nitruado

1316  **93.00 Diesel** 
8140.67.2585 Euro 2 4 Cyl. 18.5:1 2500cc **55-63kW (75-86)PS** **Turbo Intercooled** **TD20427 677**

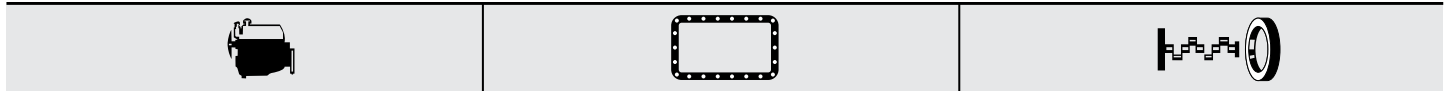
			
<p>87-425000-00 STD 87-425008-00 0.60mm</p> <p>A 58.75 B- 16.90 BØ 40.00 D 96.75  32x75</p> <p>RT</p>	<p>08-425000-00 STD 08-425008-00 0.60mm</p> <p>3.00  CR P 2.00  P 3.00  CR P</p>	<p>14-021371-00 D B 96.01 C 171.00 D 98.92 E 5.00 14-021372-00 D B 96.05 C 171.00 D 98.92 E 5.00 14-021373-00 D B 96.17 C 171.00 D 98.92 E 5.00 14-021480-00 DH [11] B 97.04 C 171.00 D 100.00 E 5.00</p> 	
[11] Nitrided	[11] Nitridé	[11] Nitruato	[11] Nitruado

									
BE/PL	4	56.520/56.535	60.333/60.345	24.700	1.870	0.020/0.072	BS	1870CP	71-4130/4 STD 0.25 0.50 0.75
MB/HL 5	1	86.182/86.208	90.588/90.614	30.950	2.164	0.052/0.129	BS	4691CPH	H1104/5 STD 0.25 0.50
MB/HL 1-4	4	80.182/80.208	84.588/84.614	23.800	2.164	0.052/0.129	BS	4692CP	
09/95 →									
SE/PB	1	31.990/31.996	34.895/34.920	30.700			BS	66579YA	55-4186 SEMI
Mot.344183 →									

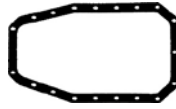
FIAT GROUP

...Continued




1316 93.00 Diesel



JJ100
(Cork)

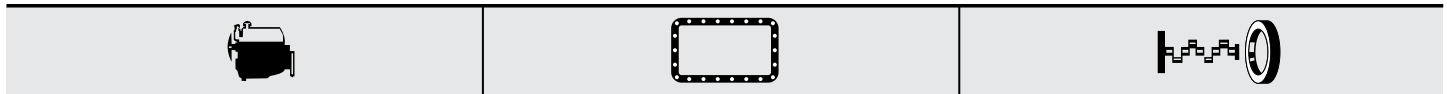


JJ100

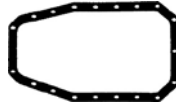
NA5055  70.00x90.00x10.00mm, FPM
NF883  114.00x177.00x13.00mm, FPM
NF885  70.00x179.00x16.00mm, FPM

1317 93.00 Diesel


8140 SC 27.02 4 Cyl. 18.5:1 2500cc 62kW (84)PS TD16182 678



JJ100
(Cork)

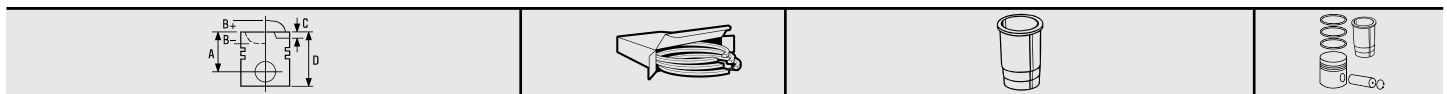


JJ100

NP067  50.00x70.00x10.00mm, FPM


1318 93.00 Diesel

8144.67 4 Cyl. 22:1 2500cc 55kW (75)PS TD1056 679

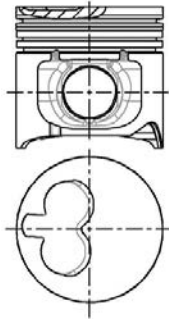


87-783300-00
87-783308-00

STD
0.60mm




A 54.00
B- 2.20
D 89.00
 32x75

HA RT



08-783300-00
08-783308-00

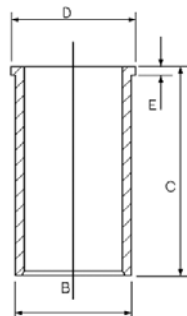
STD
0.60mm

3.00  CR P
2.00  P
3.00  CR P

[11] Niturado

[11] Niturado


14-021280-00 DH [11]
B 97.03 **C** 167.00 **D** 100.00 **E** 5.00
14-028930-00 D
B 97.50 **C** 167.00 **D** 100.90 **E** 5.00
14-028931-00 D
B 97.58 **C** 167.00 **D** 100.90 **E** 5.00
14-028932-00 D
B 97.70 **C** 167.00 **D** 100.90 **E** 5.00



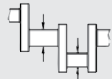
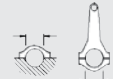








[11] Nitrided

[11] Nitridé

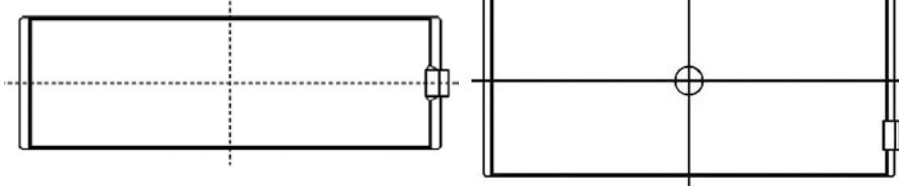
...Continued

1318  **93.00** **Diesel**

									
BE/PL	4	56.520/56.535	60.333/60.345	24.700	1.870	0.020/0.072	BS	1870CP	71-4130/4 STD 0.25 0.50 0.75
BE/PL	4	56.520/56.535	60.333/60.345	24.700	1.870	0.020/0.070	BS	66575CP	71-4185/4 STD 0.25 0.50 0.75

1870CP

66575CP

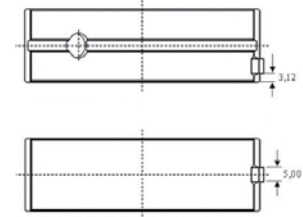
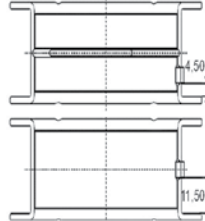
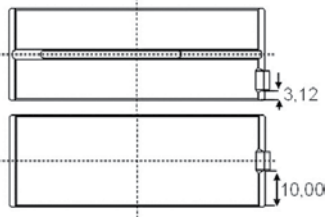


MB/HL 1-4	4	76.187/76.200	80.586/80.607	24.990	2.172	0.042/0.100	BS	66571CP	H1049/5 STD 0.25 0.50 0.75
MB/HL 5	1	76.187/76.200	80.586/80.607	31.950	2.172	0.042/0.100	BS	66572CPH	
MB/HL 1-4	4	76.187/76.200	80.586/80.607	24.990	2.172	0.038/0.097	BS	66573CP	H1094/5 STD 0.25
MB/HL 5	1	76.187/76.200	80.586/80.607	31.950	2.172	0.038/0.097	BS	66574CPH	

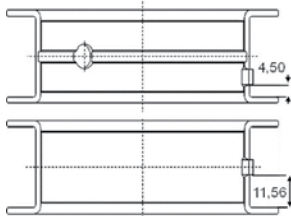
66571CP

66572CPH

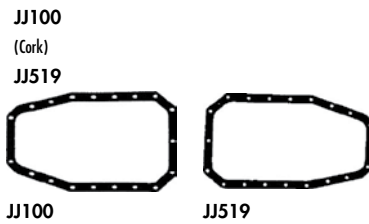
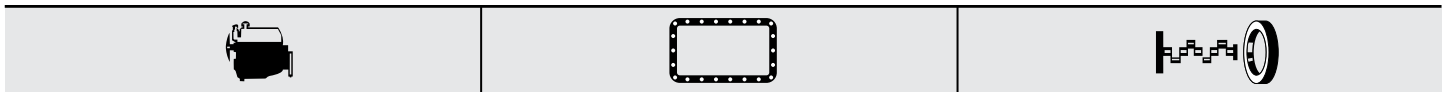
66573CP





66574CPH



SE/PB	1	31.990/31.996	34.895/34.920	30.700			BS	66579YA	55-4186 SEMI
-------	---	---------------	---------------	--------	--	--	----	---------	------------------------



NB946  70.00x90.00x10.00mm, FPM
NF853  100.00x118.00x10.00mm, FPM




1319

 93.00

Diesel



8144.97S	4 Cyl.	21:1	2500cc	77kW (105)PS	Turbocharged	TD1785	681
8144.97 Y	4 Cyl.	22.5:1	2500cc	85kW (115)PS	Turbocharged	TD1786	683



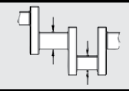
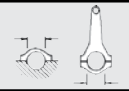




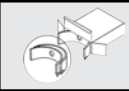
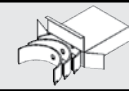
	<p>08-245200-00 STD 08-245208-00 0.60mm</p> <p>3.00  CR P 2.00  P 3.00  CR P</p>	<p>14-021371-00 D B 96.01 C 171.00 D 98.92 E 5.00 14-021372-00 D B 96.05 C 171.00 D 98.92 E 5.00 14-021373-00 D B 96.17 C 171.00 D 98.92 E 5.00 14-021480-00 DH [11] B 97.04 C 171.00 D 100.00 E 5.00</p>	

[11] Nitrided

[11] Nitridé

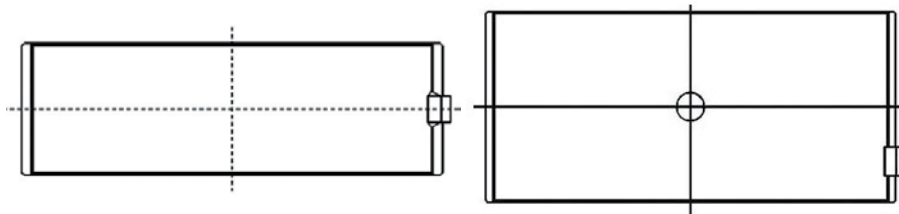
[11] Niturato

[11] Niturado


									
BE/PL	4	56.520/56.535	60.333/60.345	24.700	1.870	0.020/0.072	BS	1870CP	71-4130/4 STD 0.25 0.50 0.75
BE/PL	4	56.520/56.535	60.333/60.345	24.700	1.870	0.020/0.070	BS	66575CP	71-4185/4 STD 0.25 0.50 0.75



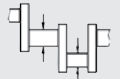
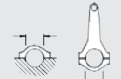






1870CP

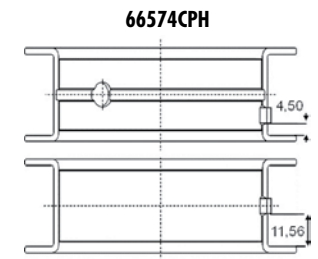
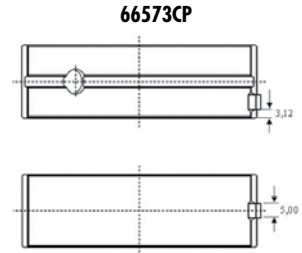
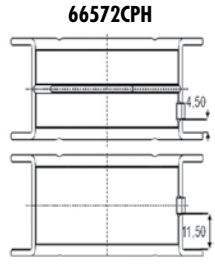
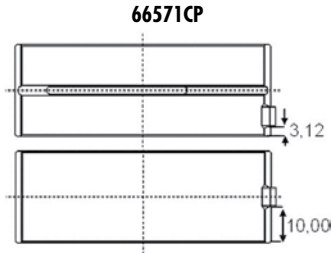
66575CP



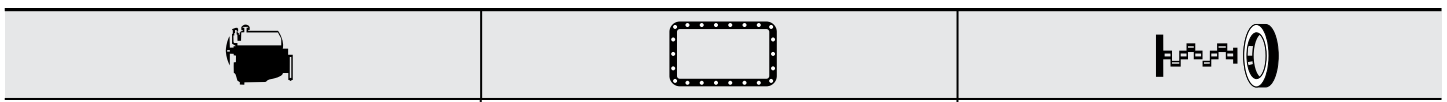
...Continued



1319  **93.00 Diesel**

									
MB/HL 1-4	4	76.187/76.200	80.586/80.607	24.990	2.172	0.042/0.100	BS	66571CP	H1049/5 STD 0.25 0.50 0.75
MB/HL 5	1	76.187/76.200	80.586/80.607	31.950	2.172	0.042/0.100	BS	66572CPH	
MB/HL 1-4	4	76.187/76.200	80.586/80.607	24.990	2.172	0.038/0.097	BS	66573CP	H1094/5 STD 0.25
MB/HL 5	1	76.187/76.200	80.586/80.607	31.950	2.172	0.038/0.097	BS	66574CPH	



SE/PB	1	31.990/31.996	34.895/34.920	30.700			BS	66579YA	55-4186 SEMI
-------	---	---------------	---------------	--------	--	--	----	---------	------------------------



NP068  55.00x70.00x8.00mm, FPM
NF853  100.00x118.00x10.00mm, FPM

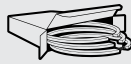
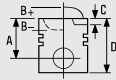
1320

 93.00

Diesel



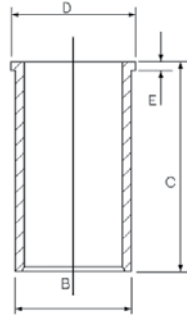
8144.97 Y 4 Cyl. 22.5:1 2500cc **85kW (115)PS** **Turbo Intercooled** **TD1060** **682**





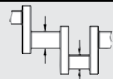
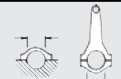






08-245200-00 STD
08-245208-00 0.60mm

3.00  CR P
 2.00  P
 3.00  CR P

14-021371-00 D
 B 96.01 C 171.00 D 98.92 E 5.00
14-021372-00 D
 B 96.05 C 171.00 D 98.92 E 5.00
14-021373-00 D
 B 96.17 C 171.00 D 98.92 E 5.00
14-021480-00 DH [11]
 B 97.04 C 171.00 D 100.00 E 5.00

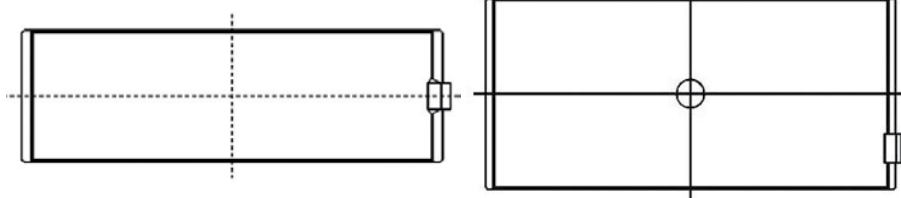


[11] Nitrided [11] Nitridé [11] Nitruato [11] Nitruado

									
BE/PL	4	56.520/56.535	60.333/60.345	24.700	1.870	0.020/0.072	BS	1870CP	71-4130/4 STD 0.25 0.50 0.75
BE/PL	4	56.520/56.535	60.333/60.345	24.700	1.870	0.020/0.070	BS	66575CP	71-4185/4 STD 0.25 0.50 0.75

1870CP

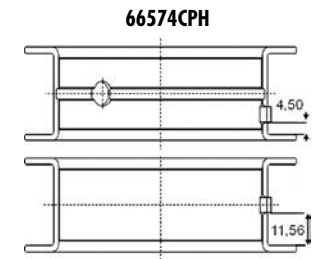
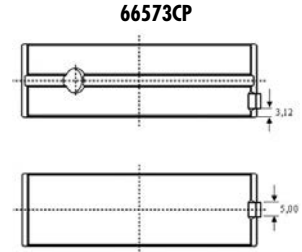
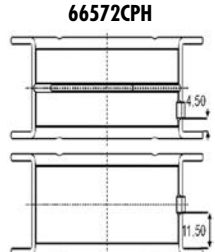
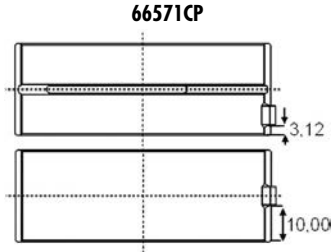
66575CP







...Continued



1320  **93.00** **Diesel**

MB/HL 1-4	4	76.187/76.200	80.586/80.607	24.990	2.172	0.042/0.100	BS	66571CP	H1049/5 STD 0.25 0.50 0.75
MB/HL 5	1	76.187/76.200	80.586/80.607	31.950	2.172	0.042/0.100	BS	66572CPH	
MB/HL 1-4	4	76.187/76.200	80.586/80.607	24.990	2.172	0.038/0.097	BS	66573CP	H1094/5 STD 0.25
MB/HL 5	1	76.187/76.200	80.586/80.607	31.950	2.172	0.038/0.097	BS	66574CPH	

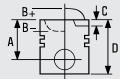
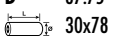
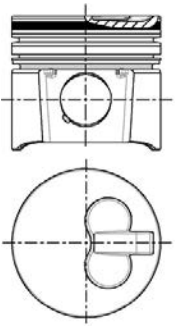
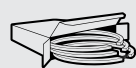



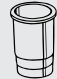
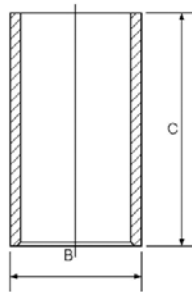



SE/PB	1	31.990/31.996	34.895/34.920	30.700			BS	66579YA	55-4186 SEMI
-------	---	---------------	---------------	--------	--	--	----	---------	------------------------

		
NP068  55.00x70.00x8.00mm, FPM		

1321  **93.00** **Diesel** 



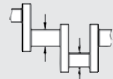
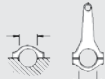





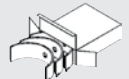
CRD93L (U25-661) 4 Cyl. 22.25:1 2500cc **54-55kW (73-75)PS** **TD22981** **684**








 <p>87-152700-00 STD 87-152707-00 0.50mm</p> <p>A 52.75 B- 7.30 D 87.75  30x78</p> 	 <p>08-152700-00 STD 08-152707-00 0.50mm</p> <p>2.50  MOL P 2.00  P 4.00  CR P</p>	 <p>14-013481-00 D B 96.10 C 163.00</p> 	
---	--	--	---

FIAT GROUP

...Continued

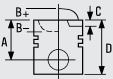


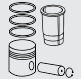



1321 93.00 Diesel



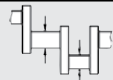
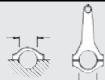





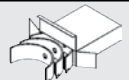
									
BE/PL	4	53.990/54.005	57.675/57.685	24.500	1.826	0.020/0.069	AL-LF	66440RAA	01-4181/4 STD 0.25 0.50
MB/HL 1-5	5	67.035/67.050	71.695/71.705	28.700	2.317	0.020/0.061	AL-LF	66716RAA	H1089/5 STD 0.25 0.50
TW/A	4	75.500/75.750	89.000/89.100		3.140		BS	66716BF	A213/4 STD
SE/PB	1	30.008/30.014	33.000/33.033	31.900			BS	66444X	55-4393 STD

		
	JJ100 (Cork) JJ519	NB946  70.00x90.00x10.00mm, FPM NF853  100.00x118.00x10.00mm, FPM
	 JJ100	 JJ519

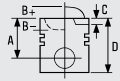
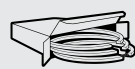
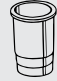




1322 93.00 Petrol



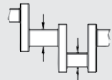
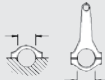






834 F.000 6 Cyl. 2959cc 126kW (171)PS TD1841 685



			
	08-527500-00 STD		
	1.50  CR P		
	1.50  P		
	3.50  P		



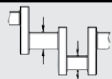






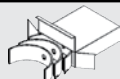
									
BE/PL	6	51.980/52.000	55.511/55.524	19.100	1.749	0.020/0.071	BS	4080CP	71-4218/6 STD 0.25
MB/HL 1-4	4	59.951/59.971	63.657/63.676	22.350	1.841	0.020/0.068	BS	4081CP	H1082/4 STD 0.25
SE/PB	1	21.994/22.000	25.120/25.146	23.720			BS	60014X	55-4280 SEMI

1323	 93.00	Petrol			
838 B.000	6 Cyl.	10:1	2959cc	150kW (204)PS	TD4620 686
AR 16102	6 Cyl.	10.1:1	2959cc	162kW (220)PS	TD5495 692
AR 16105	6 Cyl.		2959cc	160kW (218)PS	TD15970 693
AR 34301	6 Cyl.	10:1	2959cc	166kW (226)PS	TD11603 694
AR 36101	6 Cyl.		2959cc	162kW (220)PS	TD15393 696

			
08-138800-00 STD			
1.20	 NT P		
1.50	 P		
3.50	 P		

									
BE/PL	6	51.980/52.000	55.511/55.524	19.100	1.749	0.020/0.071	BS	4080CP	71-4218/6 STD 0.25
MB/HL 1-4	4	59.951/59.971	63.657/63.676	22.350	1.841	0.020/0.068	BS	4081CP	H1082/4 STD 0.25
SE/PB	1	21.994/22.000	25.120/25.146	23.720			BS	60014X	55-4280 SEMI

1324	 93.00	Petrol			
841 A.000	6 Cyl.	10:1	2959cc	158kW (215)PS	TD16733 687
AR 06430	6 Cyl.	10:1	2959cc	147kW (200)PS	TD64 690
AR 16199	6 Cyl.	10:1	2959cc	141kW (192)PS	TD23347
AR 19520	6 Cyl.	9.5:1	2959cc	136kW (185)PS	TD23345
AR 34302	6 Cyl.	10:1	2959cc	166kW (226)PS	TD23348 695
AR 61501	6 Cyl.	10:1	2959cc	151-155kW (205-211)PS	TD104 697
AR 64306	6 Cyl.	9.5:1	2959cc	132-170kW (180-231)PS	TD25829 702
AR 64307	6 Cyl.		2959cc	170kW (231)PS	TD148 703
AR 64308	6 Cyl.	10:1	2959cc	150-170kW (204-231)PS	TD126 704
AR 64399	6 Cyl.		2959cc	132-145kW (180-197)PS	TD21728 705
AR 66301	6 Cyl.		2959cc	152-155kW (207-211)PS	TD130 704
AR 66302	6 Cyl.		2959cc	151-155kW (205-211)PS	TD131 704
AR 66304	6 Cyl.	10:1	2959cc	169-171kW (230-233)PS	TD22624
AR 66306	6 Cyl.		2959cc	157kW (214)PS	TD21729 706
M 624 AA 30.A	6 Cyl.	9.5:1	2959cc	132-136kW (180-185)PS	TD22432
M 624 AB 30.A	6 Cyl.	10:1	2959cc	147kW (200)PS	TD22433

									
BE/PL	6	51.980/52.000	55.511/55.524	19.100	1.749	0.020/0.071	BS	4080CP	71-4218/6 STD 0.25
MB/HL 1-4	4	59.951/59.971	63.657/63.676	22.350	1.841	0.020/0.068	BS	4081CP	H1082/4 STD 0.25
SE/PB	1	21.994/22.000	25.120/25.146	23.720			BS	60014X	55-4280 SEMI

FIAT GROUP

1325	93.00	Petrol				
AR 06120	6 Cyl.	9.5:1	2959cc	133-136kW (181-185)PS	TD48	688
AR 06124	6 Cyl.	9.5:1	2959cc	136-138kW (185-188)PS	TD49	688
AR 61503	6 Cyl.	9.5:1	2959cc	139-141kW (189-192)PS	TD51	688

	08-527500-00 STD 1.50 CR P 1.50 P 3.50 P		

BE/PL	6	51.980/52.000	55.511/55.524	19.100	1.749	0.020/0.071	BS	4080CP	71-4218/6 STD 0.25
MB/HL 1-4	4	59.951/59.971	63.657/63.676	22.350	1.841	0.020/0.068	BS	4081CP	H1082/4 STD 0.25
SE/PB	1	21.994/22.000	25.120/25.146	23.720			BS	60014X	55-4280 SEMI

JJ515		NA5163 32.00x47.00x10.00mm, FPM
	JJ515	

1326	93.00	Petrol				
AR 06410	6 Cyl.		2959cc	136-141kW (184-192)PS	TD59	689
AR 06412	6 Cyl.		2959cc	135kW (184)PS	TD61	689
AR 64301	6 Cyl.	10:1	2959cc	147kW (200)PS	TD106	698

	08-527500-00 STD 1.50 CR P 1.50 P 3.50 P	15-632400-00 [9] B 99.00 C 119.00 D 109.00 E 78.00	




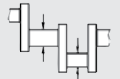
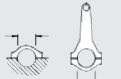



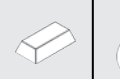

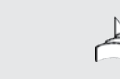

[9] Includes seals


[9] Inclut des joints



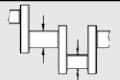
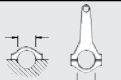



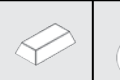

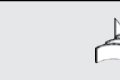

[9] Comprende le guarnizioni



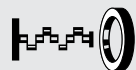

[9] Incluye los sellos


...Continued



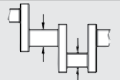
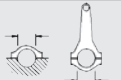



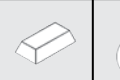

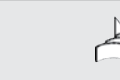

1326		 93.00	Petrol							
										
BE/PL	6	51.980/52.000	55.511/55.524	19.100	1.749	0.020/0.071	BS	4080CP	71-4218/6 STD 0.25	
MB/HL 1-4	4	59.951/59.971	63.657/63.676	22.350	1.841	0.020/0.068	BS	4081CP	H1082/4 STD 0.25	
SE/PB	1	21.994/22.000	25.120/25.146	23.720			BS	60014X	55-4280 SEMI	


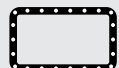
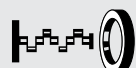
1327		 93.00	Petrol							
AR 16101	6 Cyl.	10:1	2959cc	141kW (192)PS				TD4187	691	
AR 64305	6 Cyl.		2959cc	132kW (180)PS				TD125	701	
AR 66303	6 Cyl.		2959cc	132kW (180)PS				TD92	701	

										
BE/PL	6	51.980/52.000	55.511/55.524	19.100	1.749	0.020/0.071	BS	4080CP	71-4218/6 STD 0.25	
MB/HL 1-4	4	59.951/59.971	63.657/63.676	22.350	1.841	0.020/0.068	BS	4081CP	H1082/4 STD 0.25	
SE/PB	1	21.994/22.000	25.120/25.146	23.720			BS	60014X	55-4280 SEMI	

		
NJ951  32.00x50.00x8.00mm, FPM		

1328		 93.00	Petrol							
AR 64304	6 Cyl.		2959cc	168-171kW (228-233)PS				TD124	700	

										
BE/PL	6	51.980/52.000	55.511/55.524	19.100	1.749	0.020/0.071	BS	4080CP	71-4218/6 STD 0.25	
MB/HL 1-4	4	59.951/59.971	63.657/63.676	22.350	1.841	0.020/0.068	BS	4081CP	H1082/4 STD 0.25	
SE/PB	1	21.994/22.000	25.120/25.146	23.720			BS	60014X	55-4280 SEMI	

		
KV086		



KV086

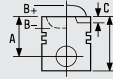
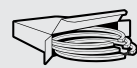
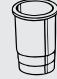

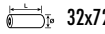
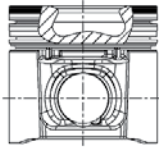
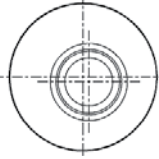



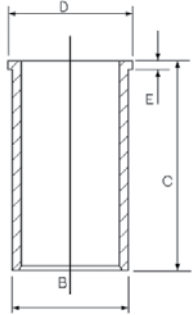
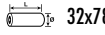
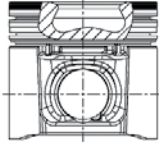
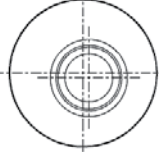



1329



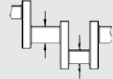
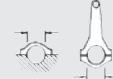





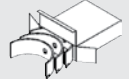
 94.40



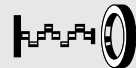

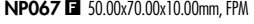

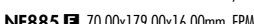
Diesel










8140.23.	4 Cyl.	18.5:1	2798cc	76kW (103)PS	Turbo Intercooled	TD7229	710
8140.43.2585 Euro 2	4 Cyl.	18.5:1	2798cc	84-90kW (114-122)PS	Turbo Intercooled	TD20423	715
8140.43.3700 Euro 2	4 Cyl.	18.5:1	2798cc	85kW (116)PS	Turbo Intercooled	TD20424	715
8140.43.3900 Euro 2	4 Cyl.	18.5:1	2798cc	84-90kW (114-122)PS	Turbo Intercooled	TD20425	715



							
87-122200-10 87-122208-10 STD 0.60mm A 58.75 B- 19.40 BØ 39.25 D 87.60  32x72 AK KK RT TP	 	08-122200-00 STD 08-122208-00 0.60mm eng. 2572280 → 2.50  CK P 2.00  P 2.50  CR P	14-021321-00 D B 97.54 C 167.00 D 100.90 E 5.00 14-021322-00 D B 97.70 C 167.00 D 100.90 E 5.00 14-028930-00 D B 97.50 C 167.00 D 100.90 E 5.00 14-028931-00 D B 97.58 C 167.00 D 100.90 E 5.00 14-028932-00 D B 97.70 C 167.00 D 100.90 E 5.00				
87-854700-00 87-854708-00 STD 0.60mm A 58.75 B- 19.40 BØ 39.40 D 96.65  32x78 AK KK RT	 	08-854700-00 STD 08-854708-00 0.60mm eng. →2572279 3.00  CR 2.00  P 3.00  CR					

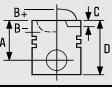
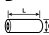
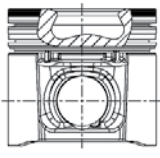
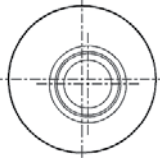
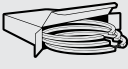



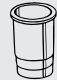
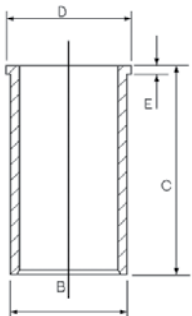


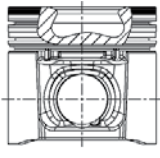




									
BE/PL	4	56.520/56.535	60.333/60.345	24.700	1.870	0.020/0.072	BS	1870CP	71-4130/4 STD 0.25 0.50 0.75
MB/HL 5	1	86.182/86.208	90.588/90.614	30.950	2.164	0.052/0.129	BS	4691CPH	H1104/5 STD 0.25 0.50
MB/HL 1-4	4	80.182/80.208	84.588/84.614	23.800	2.164	0.052/0.129	BS	4692CP	
SE/PB	1	31.990/31.996	34.895/34.920	30.700			BS	66579YA	55-4186 SEMI

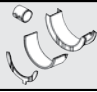

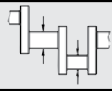
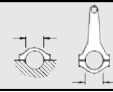




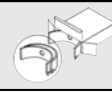
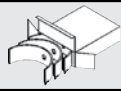
		
	JJ519  JJ519	NP067  50.00x70.00x10.00mm, FPM NF883  114.00x177.00x13.00mm, FPM NF885  70.00x179.00x16.00mm, FPM




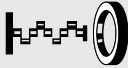







1330	 94.40	Diesel					
8140.23.2200	4 Cyl.	19:1	2800cc	76kW (103)PS	Turbocharged	TD24996	
8140.43P Euro 3 (D3)	4 Cyl.	18.5:1	2798cc	78kW (106)PS	Turbo Intercooled	TD22680	728



		
		NF883  114.00x177.00x13.00mm, FPM NF885  70.00x179.00x16.00mm, FPM

1331	 94.40	Diesel					
8140.23.2585 Euro 2	4 Cyl.	18.5:1	2799cc	78kW (106)PS	Turbo Intercooled	TD16183	711
8140.23.3700 Euro 2	4 Cyl.	18.5:1	2798cc	76kW (103)PS	Turbo Intercooled	TD10387	711


 87-122200-10 87-122208-10 STD 0.60mm A 58.75 B- 19.40 BØ 39.25 D 87.60  32x72 AK KK RT TP	 	 08-122200-00 STD 08-122208-00 0.60mm eng. 2572280 → 2.50  CK P 2.00  P 2.50  CR P	 14-021321-00 D B 97.54 C 167.00 D 100.90 E 5.00 14-021322-00 D B 97.70 C 167.00 D 100.90 E 5.00 14-028930-00 D B 97.50 C 167.00 D 100.90 E 5.00 14-028931-00 D B 97.58 C 167.00 D 100.90 E 5.00 14-028932-00 D B 97.70 C 167.00 D 100.90 E 5.00 	
87-854700-00 87-854708-00 STD 0.60mm A 58.75 B- 19.40 BØ 39.40 D 96.65  32x78 AK KK RT	 	08-854700-00 STD 08-854708-00 0.60mm eng. →2572279 3.00  CR 2.00  P 3.00  CR		

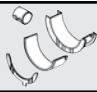

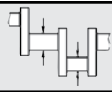
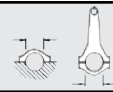




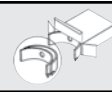
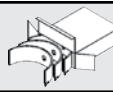
									
BE/PL	4	56.520/56.535	60.333/60.345	24.700	1.870	0.020/0.072	BS	1870CP	71-4130/4 STD 0.25 0.50 0.75
MB/HL 5	1	86.182/86.208	90.588/90.614	30.950	2.164	0.052/0.129	BS	4691CPH	H1104/5 STD 0.25 0.50
MB/HL 1-4	4	80.182/80.208	84.588/84.614	23.800	2.164	0.052/0.129	BS	4692CP	
SE/PB	1	31.990/31.996	34.895/34.920	30.700			BS	66579YA	55-4186 SEMI


1331	 94.40	Diesel
		
	<p>JH5178 Soft Material Gasket JJ519</p> <div style="display: flex; justify-content: space-around; align-items: center;">   </div> <p style="display: flex; justify-content: space-around;">JH5178JJ519</p>	<p>NF853  100.00x118.00x10.00mm, FPM NP067  50.00x70.00x10.00mm, FPM NF883  114.00x177.00x13.00mm, FPM NF885  70.00x179.00x16.00mm, FPM NF886  100.00x179.00x15.80mm, FPM</p>

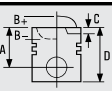
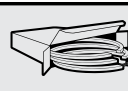


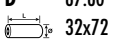
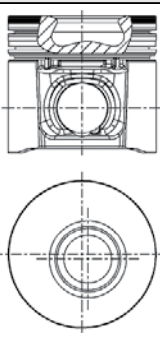



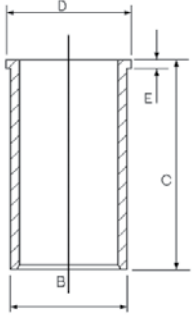

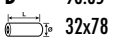
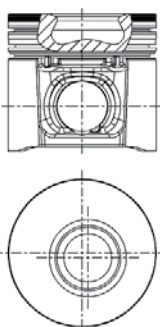



1332	 94.40	Diesel					
8140.23.3701 Euro 2	4 Cyl.	18.5:1	2798cc	76kW (103)PS	Turbo Intercooled	TD27373	712
8140.23.3710 Euro 2	4 Cyl.	18.5:1	2798cc	76kW (103)PS	Turbo Intercooled	TD27374	712
8140.23.3711 Euro 2	4 Cyl.	18.5:1	2798cc	76kW (103)PS	Turbo Intercooled	TD27375	712
8140.23.3713 Euro 2	4 Cyl.	18.5:1	2798cc	76kW (103)PS	Turbo Intercooled	TD27376	712
8140.23.3720 Euro 2	4 Cyl.	18.5:1	2798cc	76kW (103)PS	Turbo Intercooled	TD27377	712
8140.23.3721 Euro 2	4 Cyl.	18.5:1	2798cc	76kW (103)PS	Turbo Intercooled	TD27378	712
8140.23.3730 Euro 2	4 Cyl.	18.5:1	2798cc	76kW (103)PS	Turbo Intercooled	TD27379	712
8140.23.3731 Euro 2	4 Cyl.	18.5:1	2798cc	76kW (103)PS	Turbo Intercooled	TD27380	712
8140.23.3750 Euro 2	4 Cyl.	18.5:1	2798cc	76kW (103)PS	Turbo Intercooled	TD27381	712
8140.23.3751 Euro 2	4 Cyl.	18.5:1	2798cc	76kW (103)PS	Turbo Intercooled	TD27382	712
8140.23.3760 Euro 2	4 Cyl.	18.5:1	2798cc	76kW (103)PS	Turbo Intercooled	TD27383	713
8140.23.3801 Euro 2	4 Cyl.	18.5:1	2798cc	76kW (103)PS	Turbo Intercooled	TD27384	714
8140.23.3811 Euro 2	4 Cyl.	18.5:1	2798cc	76kW (103)PS	Turbo Intercooled	TD27385	714
8140.23.3821 Euro 2	4 Cyl.	18.5:1	2798cc	76kW (103)PS	Turbo Intercooled	TD27386	714
8140.43.3711 Euro 2	4 Cyl.	18.5:1	2798cc	90kW (122)PS	Turbo Intercooled	TD27427	
8140.43.3713 Euro 2	4 Cyl.	18.5:1	2798cc	90kW (122)PS	Turbo Intercooled	TD27428	
8140.43.3718 Euro 2	4 Cyl.	18.5:1	2798cc	90kW (122)PS	Turbo Intercooled	TD27429	
8140.43.3721 Euro 2	4 Cyl.	18.5:1	2798cc	90kW (122)PS	Turbo Intercooled	TD27430	
8140.43.3723 Euro 2	4 Cyl.	18.5:1	2798cc	90kW (122)PS	Turbo Intercooled	TD27431	
8140.43.3728 Euro 2	4 Cyl.	18.5:1	2798cc	77-85kW (105-116)PS	Turbo Intercooled	TD27432	716
8140.43.3731 Euro 2	4 Cyl.	18.5:1	2798cc	90kW (122)PS	Turbo Intercooled	TD27433	
8140.43.3911 Euro 2	4 Cyl.	18.5:1	2798cc	90kW (122)PS	Turbo Intercooled	TD27434	
8140.43.3921 Euro 2	4 Cyl.	18.5:1	2798cc	90kW (122)PS	Turbo Intercooled	TD27435	
8140.43.3931 Euro 2	4 Cyl.	18.5:1	2798cc	90kW (122)PS	Turbo Intercooled	TD27436	
8140.43.K	4 Cyl.		2798cc	103kW (140)PS	Turbo Intercooled	TD28051	
8140.43C.4000 Euro 3 (D3)	4 Cyl.	18.5:1	2798cc	77kW (105)PS	Turbo Intercooled	TD25972	718
8140.43C.4005 Euro 3 (D3)	4 Cyl.	18.5:1	2798cc	77kW (105)PS	Turbo Intercooled	TD25973	718
8140.43C.4020 Euro 3 (D3)	4 Cyl.	18.5:1	2798cc	77kW (105)PS	Turbo Intercooled	TD25974	721
8140.43C.4021 Euro 3 (D3)	4 Cyl.	18.5:1	2798cc	77kW (105)PS	Turbo Intercooled	TD25975	721
8140.43C.4025 Euro 3 (D3)	4 Cyl.	18.5:1	2798cc	77kW (105)PS	Turbo Intercooled	TD25976	718
8140.43C.4026 Euro 3 (D3)	4 Cyl.	18.5:1	2798cc	77kW (105)PS	Turbo Intercooled	TD25977	718
8140.43C.4030 Euro 3 (D3)	4 Cyl.	18.5:1	2798cc	77kW (105)PS	Turbo Intercooled	TD25978	722
8140.43C.4031 Euro 3 (D3)	4 Cyl.	18.5:1	2798cc	77kW (105)PS	Turbo Intercooled	TD25979	722
8140.43C.4035 Euro 3 (D3)	4 Cyl.	18.5:1	2798cc	77kW (105)PS	Turbo Intercooled	TD25980	723
8140.43C.4036 Euro 3 (D3)	4 Cyl.	18.5:1	2798cc	77kW (105)PS	Turbo Intercooled	TD25981	719
8140.43K.4020 Euro 3 (D3)	4 Cyl.	18.5:1	2798cc	92kW (125)PS	Turbo Intercooled	TD25982	718
8140.43K.4030 Euro 3 (D3)	4 Cyl.	18.5:1	2798cc	92kW (125)PS	Turbo Intercooled	TD25983	
8140.43R.4300 Euro 3 (D3)	4 Cyl.	18.5:1	2798cc	66kW (90)PS	Turbo Intercooled	TD25989	712
8140.43R.4320 Euro 3 (D3)	4 Cyl.	18.5:1	2798cc	66kW (90)PS	Turbo Intercooled	TD25990	712
8140.43R.4330 Euro 3 (D3)	4 Cyl.	18.5:1	2798cc	66kW (90)PS	Turbo Intercooled	TD25991	712
8140.43R.4400 Euro 3 (D3)	4 Cyl.	18.5:1	2798cc	66kW (90)PS	Turbo Intercooled	TD25992	712




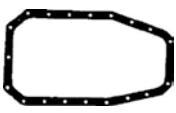



...Continued

1332		 94.40	Diesel						
8140.43R.4420 Euro 3 (D3)	4 Cyl.	18.5:1	2798cc	66kW (90)PS	Turbo Intercooled	TD25993	712		
8140.43R.4430 Euro 3 (D3)	4 Cyl.	18.5:1	2798cc	66kW (90)PS	Turbo Intercooled	TD25994	729		

									
BE/PL	4	56.520/56.535	60.333/60.345	24.700	1.870	0.020/0.072	BS	1870CP	71-4130/4 STD 0.25 0.50 0.75
MB/HL 5	1	86.182/86.208	90.588/90.614	30.950	2.164	0.052/0.129	BS	4691CPH	H1104/5 STD 0.25 0.50
MB/HL 1-4	4	80.182/80.208	84.588/84.614	23.800	2.164	0.052/0.129	BS	4692CP	
SE/PB	1	31.990/31.996	34.895/34.920	30.700			BS	66579YA	55-4186 SEMI

1333		 94.40	Diesel						
8140.43. Euro 2	4 Cyl.	18.5:1	2798cc	90kW (122)PS	Turbo Intercooled	TD7235	717		

			
87-122200-10 87-122208-10 STD 0.60mm A 58.75 B- 19.40 BØ 39.25 D 87.60  32x72 AK KK RT TP	 08-122200-00 STD 08-122208-00 0.60mm eng. 2572280 → 2.50  CK P 2.00  P 2.50  CR P	 14-021321-00 D B 97.54 C 167.00 D 100.90 E 5.00 14-021322-00 D B 97.70 C 167.00 D 100.90 E 5.00 14-028930-00 D B 97.50 C 167.00 D 100.90 E 5.00 14-028931-00 D B 97.58 C 167.00 D 100.90 E 5.00 14-028932-00 D B 97.70 C 167.00 D 100.90 E 5.00	
87-854700-00 87-854708-00 STD 0.60mm A 58.75 B- 19.40 BØ 39.40 D 96.65  32x78 AK KK RT	 08-854700-00 STD 08-854708-00 0.60mm eng. →2572279 3.00  CR 2.00  P 3.00  CR		

		
	JJ519  JJ519	NP067  50.00x70.00x10.00mm, FPM NF883  114.00x177.00x13.00mm, FPM NF885  70.00x179.00x16.00mm, FPM

1334

94.40

Diesel



8140.43B.4300 Euro 3 (D3)	4 Cyl.	18:1	2798cc	77kW (105)PS	Turbo Intercooled	TD25968	718
8140.43B.4305 Euro 3 (D3)	4 Cyl.	18:1	2798cc	77kW (105)PS	Turbo Intercooled	TD25966	718
8140.43B.4320 Euro 3 (D3)	4 Cyl.	18:1	2798cc	77kW (105)PS	Turbo Intercooled	TD25967	719
8140.43B.4325 Euro 3 (D3)	4 Cyl.	18:1	2798cc	77kW (105)PS	Turbo Intercooled	TD25969	718
8140.43B.4330 Euro 3 (D3)	4 Cyl.	18:1	2798cc	77kW (105)PS	Turbo Intercooled	TD25970	718
8140.43B.4335 Euro 3 (D3)	4 Cyl.	18:1	2798cc	77kW (105)PS	Turbo Intercooled	TD25971	718

87-122200-20 STD A 58.75 B- 23.35 BØ 39.30 D 87.60 32x72 AK RT TP		08-122200-00 STD 08-122208-00 0.60mm 2.50 CK P 2.00 P 2.50 CR P		14-021321-00 D B 97.54 C 167.00 D 100.90 E 5.00 14-021322-00 D B 97.70 C 167.00 D 100.90 E 5.00 14-028930-00 D B 97.50 C 167.00 D 100.90 E 5.00 14-028931-00 D B 97.58 C 167.00 D 100.90 E 5.00 14-028932-00 D B 97.70 C 167.00 D 100.90 E 5.00				

BE/PL	4	56.520/56.535	60.333/60.345	24.700	1.870	0.020/0.072	BS	1870CP	71-4130/4 STD 0.25 0.50 0.75	
MB/HL 5	1	86.182/86.208	90.588/90.614	30.950	2.164	0.052/0.129	BS	4691CPH	H1104/5 STD 0.25 0.50	
MB/HL 1-4	4	80.182/80.208	84.588/84.614	23.800	2.164	0.052/0.129	BS	4692CP		
SE/PB	1	31.990/31.996	34.895/34.920	30.700			BS	66579YA	55-4186 SEMI	

1335

94.40

Diesel



8140.43B Euro 3 (D3)

4 Cyl.

18.5:1

2798cc

78kW (105)PS

Turbo Intercooled

TD16514

720

<p>87-122200-20 STD</p> <p>A 58.75 B- 23.35 BØ 39.30 D 87.60 32x72</p> <p>AK RT TP</p>	 	<p>08-122200-00 STD 08-122208-00 0.60mm</p> <p>2.50 CK P 2.00 P 2.50 CR P</p>	<p>14-021321-00 D B 97.54 C 167.00 D 100.90 E 5.00 14-021322-00 D B 97.70 C 167.00 D 100.90 E 5.00 14-028930-00 D B 97.50 C 167.00 D 100.90 E 5.00 14-028931-00 D B 97.58 C 167.00 D 100.90 E 5.00 14-028932-00 D B 97.70 C 167.00 D 100.90 E 5.00</p>

BE/PL	4	56.520/56.535	60.333/60.345	24.700	1.870	0.020/0.072	BS	1870CP	71-4130/4 STD 0.25 0.50 0.75
MB/HL 5	1	86.182/86.208	90.588/90.614	30.950	2.164	0.052/0.129	BS	4691CPH	H1104/5 STD 0.25 0.50
MB/HL 1-4	4	80.182/80.208	84.588/84.614	23.800	2.164	0.052/0.129	BS	4692CP	
SE/PB	1	31.990/31.996	34.895/34.920	30.700			BS	66579YA	55-4186 SEMI

	<p>JJ613</p> <p>JJ613</p>	<p>NF883 114.00x177.00x13.00mm, FPM NF885 70.00x179.00x16.00mm, FPM</p>

1336

94.40

Diesel



8140.43C Euro 2

4 Cyl.

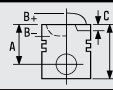
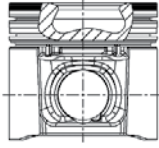
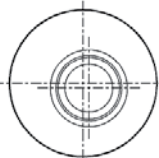
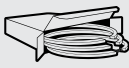

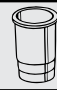
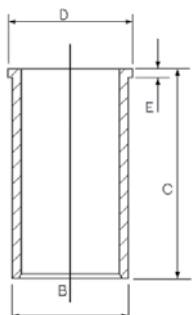

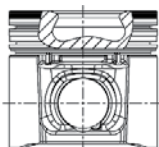
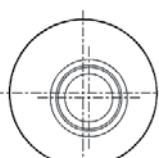

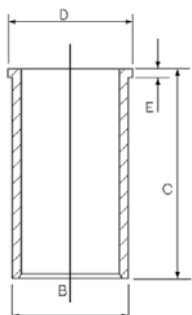
2798cc

78kW (106)PS




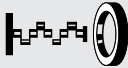
Turbo Intercooled

TD14449

724

 <p>87-122200-10 87-122208-10</p> <p>STD 0.60mm</p>   <p>A 58.75 B- 19.40 Bø 39.25 D 87.60 32x72</p> <p>AK KK RT TP</p>	 <p>08-122200-00 STD 08-122208-00 0.60mm eng. 2572280→</p> <p>2.50 CK P 2.00 P 2.50 CR P</p> 	 <p>14-021321-00 D B 97.54 C 167.00 D 100.90 E 5.00 14-021322-00 D B 97.70 C 167.00 D 100.90 E 5.00 14-028930-00 D B 97.50 C 167.00 D 100.90 E 5.00 14-028931-00 D B 97.58 C 167.00 D 100.90 E 5.00 14-028932-00 D B 97.70 C 167.00 D 100.90 E 5.00</p> 	
<p>87-854700-00 87-854708-00</p> <p>STD 0.60mm</p>   <p>A 58.75 B- 19.40 Bø 39.40 D 96.65 32x78</p> <p>AK KK RT</p>	<p>08-854700-00 STD 08-854708-00 0.60mm eng. →2572279</p> <p>3.00 CR 2.00 P 3.00 CR</p> 		

BE/PL	4	56.520/56.535	60.333/60.345	24.700	1.870	0.020/0.072	BS	1870CP	71-4130/4 STD 0.25 0.50 0.75	
MB/HL 5	1	86.182/86.208	90.588/90.614	30.950	2.164	0.052/0.129	BS	4691CPH	H1104/5 STD 0.25 0.50	
MB/HL 1-4	4	80.182/80.208	84.588/84.614	23.800	2.164	0.052/0.129	BS	4692CP		
SE/PB	1	31.990/31.996	34.895/34.920	30.700			BS	66579YA	55-4186 SEMI	

 <p>JJ613</p>  <p>JJ613</p>		 <p>NP067 50.00x70.00x10.00mm, FPM NF883 114.00x177.00x13.00mm, FPM NF885 70.00x179.00x16.00mm, FPM</p>
---	---	---

1337	94.40	Diesel					
8140.43K.4000 Euro 3 (D3)	4 Cyl.	18.5:1	2798cc	107kW (146)PS	Turbo Intercooled	TD17143	725

	JJ613	NP067 50.00x70.00x10.00mm, FPM NF883 114.00x177.00x13.00mm, FPM NF885 70.00x179.00x16.00mm, FPM
	JJ613	

1338	94.40	Diesel	
-------------	--------------	---------------	--

8140.43N.4300 Euro 3 (D3)	4 Cyl.	18.5:1	2798cc	108kW (147)PS	Turbo Intercooled	TD25984	712
8140.43N.4320 Euro 3 (D3)	4 Cyl.	18.5:1	2798cc	108kW (147)PS	Turbo Intercooled	TD25985	712
8140.43N.4330 Euro 3 (D3)	4 Cyl.	18.5:1	2798cc	108kW (147)PS	Turbo Intercooled	TD25986	712
8140.43N.4400 Euro 3 (D3)	4 Cyl.	18.5:1	2798cc	108kW (147)PS	Turbo Intercooled	TD25987	712
8140.43N.4430 Euro 3 (D3)	4 Cyl.	18.5:1	2798cc	108kW (147)PS	Turbo Intercooled	TD25988	712
8140.43S.4000 Euro 3 (D3)	4 Cyl.	18.5:1	2798cc	92kW (125)PS	Turbo Intercooled	TD25995	712
8140.43S.4020 Euro 3 (D3)	4 Cyl.	18.5:1	2798cc	92kW (125)PS	Turbo Intercooled	TD25996	712
8140.43S.4030 Euro 3 (D3)	4 Cyl.	18.5:1	2798cc	92kW (125)PS	Turbo Intercooled	TD25997	712
8140.43S.4140 Euro 3 (D3)	4 Cyl.	18.5:1	2798cc	92kW (125)PS	Turbo Intercooled	TD25998	712
8140.43S.4300 Euro 3 (D3)	4 Cyl.	18.5:1	2798cc	92kW (125)PS	Turbo Intercooled	TD25999	712
8140.43S.4320 Euro 3 (D3)	4 Cyl.	18.5:1	2798cc	92kW (125)PS	Turbo Intercooled	TD26000	712
8140.43S.4330 Euro 3 (D3)	4 Cyl.	18.5:1	2798cc	92kW (125)PS	Turbo Intercooled	TD26001	712
8140.43S.4400 Euro 3 (D3)	4 Cyl.	18.5:1	2798cc	92kW (125)PS	Turbo Intercooled	TD26002	712
8140.43S.4420 Euro 3 (D3)	4 Cyl.	18.5:1	2798cc	92kW (125)PS	Turbo Intercooled	TD26003	712
8140.43S.4430 Euro 3 (D3)	4 Cyl.	18.5:1	2798cc	92kW (125)PS	Turbo Intercooled	TD26004	712

87-122200-00 STD 87-122208-00 0.60mm A 58.70 B- 21.30 BØ 39.40 D 87.60 32x72 AK KK RT TP	08-122200-00 STD 08-122208-00 0.60mm 2.50 CK P 2.00 P 2.50 CR P	14-021321-00 D B 97.54 C 167.00 D 100.90 E 5.00 14-021322-00 D B 97.70 C 167.00 D 100.90 E 5.00 14-028930-00 D B 97.50 C 167.00 D 100.90 E 5.00 14-028931-00 D B 97.58 C 167.00 D 100.90 E 5.00 14-028932-00 D B 97.70 C 167.00 D 100.90 E 5.00	

1338		94.40		Diesel					
BE/PL	4	56.520/56.535	60.333/60.345	24.700	1.870	0.020/0.072	BS	1870CP	71-4130/4 STD 0.25 0.50 0.75
MB/HL 5	1	86.182/86.208	90.588/90.614	30.950	2.164	0.052/0.129	BS	4691CPH	H1104/5 STD 0.25 0.50
MB/HL 1-4	4	80.182/80.208	84.588/84.614	23.800	2.164	0.052/0.129	BS	4692CP	
SE/PB	1	31.990/31.996	34.895/34.920	30.700			BS	66579YA	55-4186 SEMI



1339		94.40		Diesel					
8140.43N Euro 3 (D3)	4 Cyl.	18.5:1	2798cc	107kW (146)PS	Turbo Intercooled			TD16873	727
8140.43S Euro 3 (D3)	4 Cyl.	18.5:1	2798cc	92-100kW (125-136)PS	Turbo Intercooled			TD16874	732

87-122200-00 87-122208-00	STD 0.60mm		08-122200-00 08-122208-00	STD 0.60mm		14-021321-00 D 14-021322-00 D	B 97.54 C 167.00 D 100.90 E 5.00		
A 58.70 B- 21.30 BØ 39.40 D 87.60 			2.50 CK P 2.00 P 2.50 CR P			14-028930-00 D 14-028931-00 D 14-028932-00 D	B 97.70 C 167.00 D 100.90 E 5.00 B 97.50 C 167.00 D 100.90 E 5.00 B 97.58 C 167.00 D 100.90 E 5.00 B 97.70 C 167.00 D 100.90 E 5.00		
AK KK RT TP									

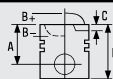
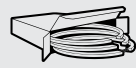


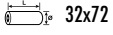
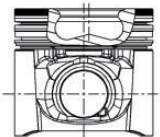
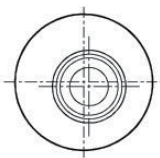



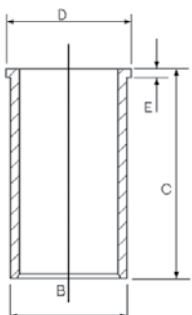
BE/PL	4	56.520/56.535	60.333/60.345	24.700	1.870	0.020/0.072	BS	1870CP	71-4130/4 STD 0.25 0.50 0.75
MB/HL 5	1	86.182/86.208	90.588/90.614	30.950	2.164	0.052/0.129	BS	4691CPH	H1104/5 STD 0.25 0.50
MB/HL 1-4	4	80.182/80.208	84.588/84.614	23.800	2.164	0.052/0.129	BS	4692CP	
SE/PB	1	31.990/31.996	34.895/34.920	30.700			BS	66579YA	55-4186 SEMI



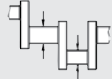
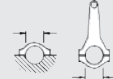





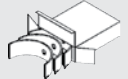
			JJ613						
			JJ613						



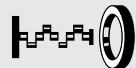


NP067 50.00x70.00x10.00mm, FPM
NF883 114.00x177.00x13.00mm, FPM
NF885 70.00x179.00x16.00mm, FPM



1340  **94.40 Diesel** 

8140.43N Euro 3 (D3) 4 Cyl. 18.5:1 2798cc **107kW (146)PS** Turbo Intercooled **TD20450** **726**



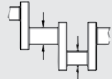
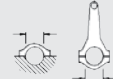





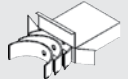
							
87-122200-00 87-122208-00 STD 0.60mm A 58.70 B- 21.30 BØ 39.40 D 87.60  32x72 AK KK RT TP	 	08-122200-00 STD 08-122208-00 0.60mm 2.50  CK P 2.00  P 2.50  CR P	14-021321-00 D B 97.54 C 167.00 D 100.90 E 5.00 14-021322-00 D B 97.70 C 167.00 D 100.90 E 5.00 14-028930-00 D B 97.50 C 167.00 D 100.90 E 5.00 14-028931-00 D B 97.58 C 167.00 D 100.90 E 5.00 14-028932-00 D B 97.70 C 167.00 D 100.90 E 5.00				

									
BE/PL	4	56.520/56.535	60.333/60.345	24.700	1.870	0.020/0.072	BS	1870CP	71-4130/4 STD 0.25 0.50 0.75
MB/HL 5	1	86.182/86.208	90.588/90.614	30.950	2.164	0.052/0.129	BS	4691CPH	H1104/5 STD 0.25 0.50
MB/HL 1-4	4	80.182/80.208	84.588/84.614	23.800	2.164	0.052/0.129	BS	4692CP	
SE/PB	1	31.990/31.996	34.895/34.920	30.700			BS	66579YA	55-4186 SEMI



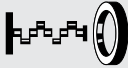




		
		NF883  114.00x177.00x13.00mm, FPM NF885  70.00x179.00x16.00mm, FPM


1341  **94.40 Diesel** 

8140.43R Euro 3 (D3) 4 Cyl. 18.5:1 2798cc **66kW (90)PS** Turbo Intercooled **TD18570** **730**

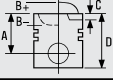
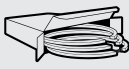
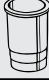

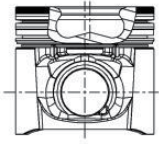
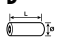
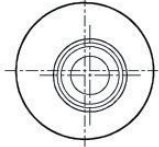



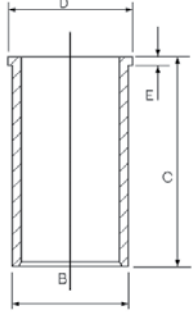
									
BE/PL	4	56.520/56.535	60.333/60.345	24.700	1.870	0.020/0.072	BS	1870CP	71-4130/4 STD 0.25 0.50 0.75
MB/HL 5	1	86.182/86.208	90.588/90.614	30.950	2.164	0.052/0.129	BS	4691CPH	H1104/5 STD 0.25 0.50
MB/HL 1-4	4	80.182/80.208	84.588/84.614	23.800	2.164	0.052/0.129	BS	4692CP	
SE/PB	1	31.990/31.996	34.895/34.920	30.700			BS	66579YA	55-4186 SEMI



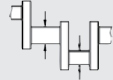
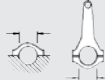





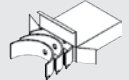
1341  **94.40 Diesel**



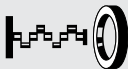



		
	<p>JJ613</p>  <p>JJ613</p>	<p>NP067  50.00x70.00x10.00mm, FPM NF883  114.00x177.00x13.00mm, FPM NF885  70.00x179.00x16.00mm, FPM</p>

1342  **94.40 Diesel** 

8140.43S 4 Cyl. 18.5:1 2798cc 94kW (128)PS Turbo Intercooled TD16196 **731**

			
<p>87-122200-00 STD 87-122208-00 0.60mm</p>  <p>A 58.70 B- 21.30 BØ 39.40 D 87.60  32x72</p> <p>AK KK RT TP</p> 	<p>08-122200-00 STD 08-122208-00 0.60mm</p> <p>2.50  CK P 2.00  P 2.50  CR P</p>	<p>14-021321-00 D B 97.54 C 167.00 D 100.90 E 5.00 14-021322-00 D B 97.70 C 167.00 D 100.90 E 5.00 14-028930-00 D B 97.50 C 167.00 D 100.90 E 5.00 14-028931-00 D B 97.58 C 167.00 D 100.90 E 5.00 14-028932-00 D B 97.70 C 167.00 D 100.90 E 5.00</p> 	

									
BE/PL	4	56.520/56.535	60.333/60.345	24.700	1.870	0.020/0.072	BS	1870CP	71-4130/4 STD 0.25 0.50 0.75
MB/HL 5	1	86.182/86.208	90.588/90.614	30.950	2.164	0.052/0.129	BS	4691CPH	H1104/5 STD 0.25 0.50
MB/HL 1-4	4	80.182/80.208	84.588/84.614	23.800	2.164	0.052/0.129	BS	4692CP	
SE/PB	1	31.990/31.996	34.895/34.920	30.700			BS	66579YA	55-4186 SEMI

		
	<p>JH5178 Soft Material Gasket JJ613</p>  <p>JH5178 JJ613</p>	<p>NF883  114.00x177.00x13.00mm, FPM NF885  70.00x179.00x16.00mm, FPM</p>

1343

94.40

Diesel



8140.63. Euro 2	4 Cyl.	21.7:1	2798cc	62kW (84)PS		TD10389	734
8140.63.4000 Euro 3 (D3)	4 Cyl.	21.7:1	2798cc	62kW (84)PS	Turbo Intercooled	TD20478	733

87-108200-00 87-108208-00 STD 0.60mm A 55.00 B- 2.80 D 90.00 32x68 AK HA RT TP	08-108200-00 STD 08-108208-00 0.60mm 3.00 CR P 2.00 P 2.50 CR P	14-021321-00 D B 97.54 C 167.00 D 100.90 E 5.00 14-021322-00 D B 97.70 C 167.00 D 100.90 E 5.00 14-028930-00 D B 97.50 C 167.00 D 100.90 E 5.00 14-028931-00 D B 97.58 C 167.00 D 100.90 E 5.00 14-028932-00 D B 97.70 C 167.00 D 100.90 E 5.00 	

BE/PL	4	56.520/56.535	60.333/60.345	24.700	1.870	0.020/0.072	BS	1870CP	71-4130/4 STD 0.25 0.50 0.75
MB/HL 5	1	86.182/86.208	90.588/90.614	30.950	2.164	0.052/0.129	BS	4691CPH	H1104/5 STD 0.25 0.50
MB/HL 1-4	4	80.182/80.208	84.588/84.614	23.800	2.164	0.052/0.129	BS	4692CP	
SE/PB	1	31.990/31.996	34.895/34.920	30.700			BS	66579YA	55-4186 SEMI

	JJ613 	NP067 50.00x70.00x10.00mm, FPM NF883 114.00x177.00x13.00mm, FPM NF885 70.00x179.00x16.00mm, FPM
	JJ613	

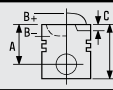
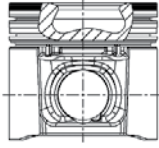
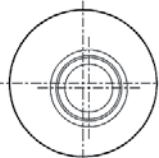
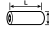
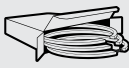



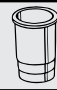
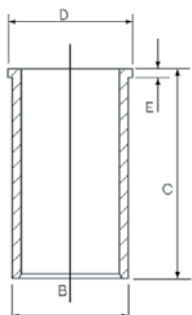

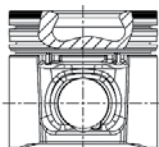
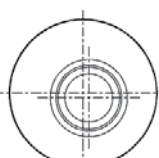




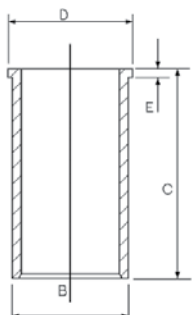
1344



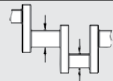
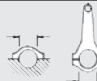






94.40




Diesel



8140.43 4 Cyl. 18.5:1 2800cc 90kW (122)PS Turbocharged TD11769 736

 <p>87-122200-10 87-122208-10</p> <p>STD 0.60mm</p>   <p>A 58.75 B- 19.40 BØ 39.25 D 87.60  32x72</p> <p>AK KK RT TP</p>	 <p>08-122200-00 STD 08-122208-00 0.60mm eng. 2572280→</p> <p>2.50  CK P 2.00  P 2.50  CR P</p>	 <p>14-021321-00 D B 97.54 C 167.00 D 100.90 E 5.00 14-021322-00 D B 97.70 C 167.00 D 100.90 E 5.00 14-028930-00 D B 97.50 C 167.00 D 100.90 E 5.00 14-028931-00 D B 97.58 C 167.00 D 100.90 E 5.00 14-028932-00 D B 97.70 C 167.00 D 100.90 E 5.00</p> 	
<p>87-854700-00 87-854708-00</p> <p>STD 0.60mm</p>   <p>A 58.75 B- 19.40 BØ 39.40 D 96.65  32x78</p> <p>AK KK RT</p>	<p>08-854700-00 STD 08-854708-00 0.60mm eng. →2572279</p> <p>3.00  CR 2.00  P 3.00  CR</p>		



									
BE/PL	4	56.520/56.535	60.333/60.345	24.700	1.870	0.020/0.072	BS	1870CP	71-4130/4 STD 0.25 0.50 0.75
MB/HL 5	1	86.182/86.208	90.588/90.614	30.950	2.164	0.052/0.129	BS	4691CPH	H1104/5 STD 0.25 0.50
MB/HL 1-4	4	80.182/80.208	84.588/84.614	23.800	2.164	0.052/0.129	BS	4692CP	
SE/PB	1	31.990/31.996	34.895/34.920	30.700			BS	66579YA	55-4186 SEMI

		
---	---	---

JH5178
Soft Material Gasket



JH5178

NF883  114.00x177.00x13.00mm, FPM
NF885  70.00x179.00x16.00mm, FPM

1345

94.40

Diesel



8140.63

4 Cyl.

21:1

2800cc

64kW (87)PS

TD12749

737

<p>87-108200-00 STD 87-108208-00 0.60mm</p> <p>A 55.00 B- 2.80 D 90.00 32x68</p> <p>AK HA RT TP</p>	<p>08-108200-00 STD 08-108208-00 0.60mm</p> <p>3.00 CR P 2.00 P 2.50 CR P</p>	<p>14-021321-00 D B 97.54 C 167.00 D 100.90 E 5.00 14-021322-00 D B 97.70 C 167.00 D 100.90 E 5.00 14-028930-00 D B 97.50 C 167.00 D 100.90 E 5.00 14-028931-00 D B 97.58 C 167.00 D 100.90 E 5.00 14-028932-00 D B 97.70 C 167.00 D 100.90 E 5.00</p>	

BE/PL	4	56.520/56.535	60.333/60.345	24.700	1.870	0.020/0.072	BS	1870CP	71-4130/4 STD 0.25 0.50 0.75
MB/HL 5	1	86.182/86.208	90.588/90.614	30.950	2.164	0.052/0.129	BS	4691CPH	H1104/5 STD 0.25 0.50
MB/HL 1-4	4	80.182/80.208	84.588/84.614	23.800	2.164	0.052/0.129	BS	4692CP	
SE/PB	1	31.990/31.996	34.895/34.920	30.700			BS	66579YA	55-4186 SEMI

	<p>JH5178 Soft Material Gasket JJ613</p> <p> JH5178</p> <p> JJ613</p>	<p>NF883 114.00x177.00x13.00mm, FPM NF885 70.00x179.00x16.00mm, FPM</p>

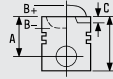
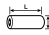
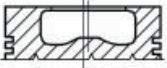
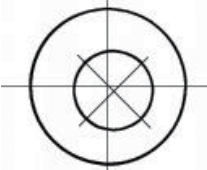





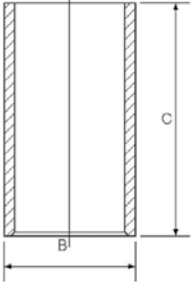
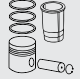
1346



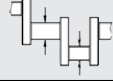
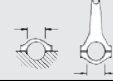





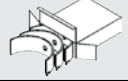
 95.00

Diesel

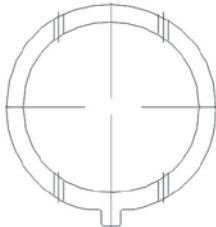


8025.01	2 Cyl.	17:1	1559cc	FM569	738
803 A.062 (8030.01)	3 Cyl.	17:1	2339cc	FM570	739
804A (8040.01)	4 Cyl.		3119cc	FM4009	739
806 A (8060.01/.11)	6 Cyl.	17:1	4678cc	FM572	

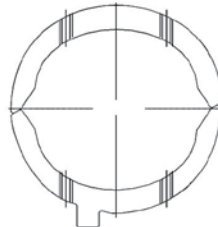
 <p>87-207200-00 87-207208-00</p> <p>STD 0.60mm</p> <p>A 59.60 B- 23.50 BØ 42.20 D 101.15  32x84</p>  	 <p>08-207200-00 STD 08-207208-00 0.60mm</p> <p>2.50  CR P 2.50  P 5.50  CR P</p>	 <p>14-010620-00 D B 99.00 C 187.00 14-011061-00 D B 99.10 C 187.00</p> 	
---	---	---	---

									
BE/PL	1	58.730/58.743	62.408/62.420	28.700	1.822	0.021/0.071	BS	60990CP	71-4281 STD 0.25 0.50 0.75
MB/HL	1	76.187/76.200	80.587/80.607	25.000	2.172	0.043/0.101	BS	60076CP	72-4550 STD 0.25 0.75
TW/A	4	85.090/85.340	101.600/101.850		3.429		AL-LF	60076AFA	A192/4 STD .005
TW/A	4	85.090/85.340	106.550/106.800		3.429		AL-LF	60076AFF	A193/4 STD .005

60076AFA



60076AFF



SE/PB	1	32.005/32.012	35.877/35.916	16.690			BS	60079X	55-4211 SEMI
SE/PB	1	32.005/32.012	35.877/35.916	34.800			BS	66634YC	55-4231 SEMI
CB/NWB 1	1	50.975/51.000	54.780/54.805	28.000	1.875		AL-LF	66231DR	N153/3 STD
CB/NWB 2	1	49.975/50.000	53.780/53.805	24.000	1.875		AL-LF	66232DR	
CB/NWB 3	1	50.475/50.500	54.280/54.305	28.000	1.875		AL-LF	66233DR	

1347

 95.00

Diesel



8035.01 3 Cyl. 17:1 2338cc 28-35kW (38-48)PS TD25193



BE/PL	1	58.730/58.743	62.408/62.420	28.700	1.816	0.033/0.083	BS	66630CP	71-4229 STD 0.25 0.50 0.75 1.00
-------	---	---------------	---------------	--------	-------	-------------	----	---------	---

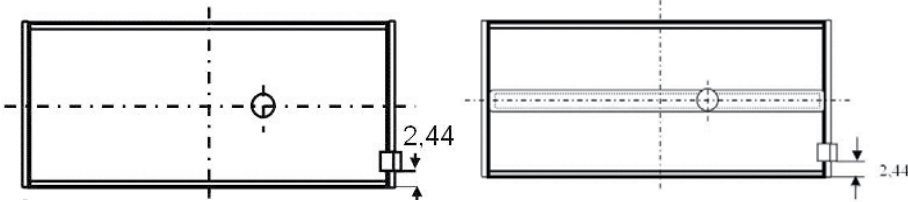
01/80 →

BE/PL	1	58.730/58.743	62.408/62.420	28.700	1.822	0.021/0.071	BS	60990CP	71-4281 STD 0.25 0.75
-------	---	---------------	---------------	--------	-------	-------------	----	---------	---------------------------------

→12/79

66630CP

60990CP



MB/HL	1	76.187/76.200	80.587/80.607	25.000	2.172	0.043/0.101	BS	66631CPA	72-4547 STD 0.25 0.50 0.75 1.00
-------	---	---------------	---------------	--------	-------	-------------	----	----------	---

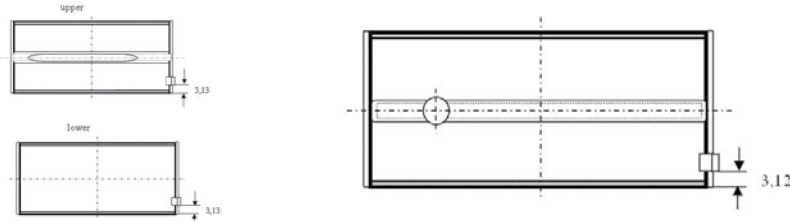
01/80 →

MB/HL	1	76.187/76.200	80.587/80.607	25.000	2.172	0.043/0.101	BS	60076CP	72-4550 STD 0.25
-------	---	---------------	---------------	--------	-------	-------------	----	---------	----------------------------

→01/79

66631CPA

60076CP



TW/A	4	85.090/85.340	101.600/101.850		3.429		AL-LF	60076AFA	A192/4 STD .005
------	---	---------------	-----------------	--	-------	--	-------	----------	---------------------------

TW/A	4	85.090/85.340	106.550/106.800		3.429		AL-LF	60076AFF	A193/4 STD .005
------	---	---------------	-----------------	--	-------	--	-------	----------	---------------------------

60076AFA

60076AFF



SE/PB	1	32.005/32.012	35.877/35.916	16.690			BS	60079X	55-4211 SEMI
-------	---	---------------	---------------	--------	--	--	----	--------	------------------------

→12/77

SE/PB	1	34.005/34.012	37.846/37.884	34.800			BS	66634YA	55-4230 SEMI
-------	---	---------------	---------------	--------	--	--	----	---------	------------------------

01/78 →

SE/PB	1	32.005/32.012	35.877/35.916	34.800			BS	66634YC	55-4231 SEMI
-------	---	---------------	---------------	--------	--	--	----	---------	------------------------

→12/77

SE/PB	1	34.005/34.012	37.846/37.884	16.690			BS	66634Y	55-4275 SEMI
-------	---	---------------	---------------	--------	--	--	----	--------	------------------------

FIAT GROUP

...Continued

1347



95.00

Diesel

01/78 →

CB/NWB 1	1	50.975/51.000	54.780/54.805	28.000	1.875		AL-LF	66231DR	N153/3 STD
CB/NWB 2	1	49.975/50.000	53.780/53.805	24.000	1.875		AL-LF	66232DR	
CB/NWB 3	1	50.475/50.500	54.280/54.305	28.000	1.875		AL-LF	66233DR	

1348



95.00

Diesel



8030.00 3 Cyl. 17:1 2340cc 28-38kW (38-51)PS TD22232 740

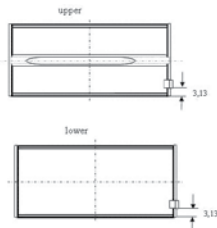
MB/HL	1	76.187/76.200	80.587/80.607	25.000	2.172	0.043/0.101	BS	66631CPA	72-4547 STD 0.25 0.50 0.75 1.00

01/80 →

MB/HL	1	76.187/76.200	80.587/80.607	25.000	2.172	0.043/0.101	BS	60076CP	72-4550 STD 0.25
-------	---	---------------	---------------	--------	-------	-------------	----	---------	---------------------

→12/79

66631CPA



60076CP



1349



95.00



Diesel





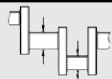






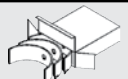
213 H	6 Cyl.	4678cc	FM9222
213.000	6 Cyl.	16.9:1 4678cc	FM3471
230 A.000	4 Cyl.	16.9:1 2693cc	FM2980

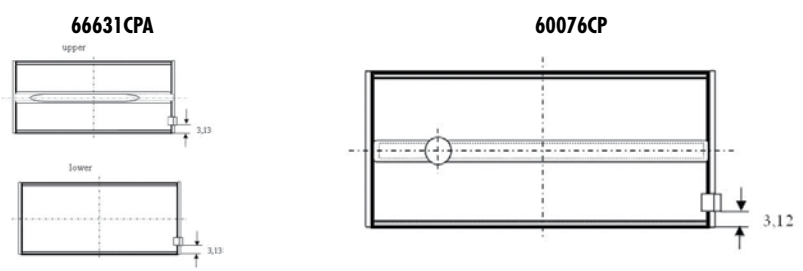
	08-207200-00 STD		
	08-207208-00 0.60mm		
	2.50 CR P		
	2.50 P		
	5.50 CR P		



MB/HL	1	76.187/76.200	80.587/80.607	25.000	2.172	0.043/0.101	BS	66631CPA	72-4547 STD 0.25 0.50 0.75 1.00
SE/PB	1	32.005/32.012	35.877/35.916	34.800			BS	66634YC	

1350  **95.00** **Diesel** 

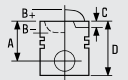
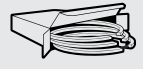
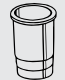




8040.00 4 Cyl. 17:1 3120cc **51kW (70)PS** **TD24575** **741**



									
BE/PL	1	58.730/58.743	62.408/62.420	28.700	1.816	0.033/0.083	BS	66630CP	71-4229 STD 0.25 0.50 0.75 1.00
MB/HL	1	76.187/76.200	80.587/80.607	25.000	2.172	0.043/0.101	BS	66631CPA	72-4547 STD 0.25 0.50 0.75 1.00
01/80→									
MB/HL	1	76.187/76.200	80.587/80.607	25.000	2.172	0.043/0.101	BS	60076CP	72-4550 STD 0.25
→12/79									



1351  **95.80** **Gas** 

F1CE0441A EEV 4 Cyl. 12.5:1 2998cc **100kW (136)PS** **Turbo Intercooled** **TD24071**

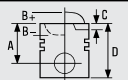
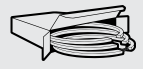





			
	08-421600-00 STD		
	2.50  CK P		
	2.00  P		
	2.50  CR P		



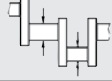
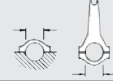





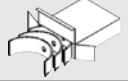
1352  **95.80** **Diesel** 

F1CE0481A 4 Cyl. 19:1 2998cc **100-114kW (136-155)PS** **Turbo Intercooled** **TD19195** **742**

F1CE0481B Euro 3 (D3) 4 Cyl. 19:1 2998cc **122kW (166)PS** **Turbo Intercooled** **TD22675** **742**

F1CE0481FA Euro 4 (D4) 4 Cyl. 2998cc **107kW (146)PS** **Turbo Intercooled** **TD19224** **743**

			
	08-421600-00 STD		
	2.50  CK P		
	2.00  P		
	2.50  CR P		

									
BE/PL	4	64.015/64.038	67.833/67.848	26.800		0.034/0.062	EC-LF	71-4082	71-4082/4 STD 0.25 [15]

FIAT GROUP



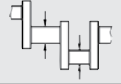




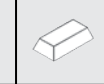


1353

 95.80


Diesel



F1CE0481D Euro 4 (D4)	4 Cyl.	19:1	2999cc	115-116kW (156-158)PS	Turbo Intercooled	TD20265	746
F1CE0481L Euro 4 (D4)	4 Cyl.		2998cc	107-110kW (146-150)PS	Turbo Intercooled	TD27239	

									
BE/PL	4	64.015/64.038	67.833/67.848	26.800		0.034/0.062	EC-LF	71-4082	71-4082/4 STD 0.25 [15]

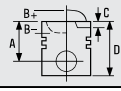
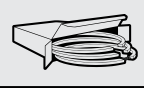
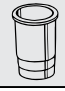





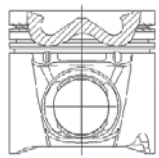

1354



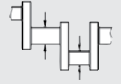




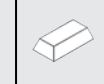


 95.80

Diesel




F1CE0481HA EEV	4 Cyl.		2998cc	125-130kW (170-177)PS	Turbo Intercooled	TD19225	743
F1CE0481HC Euro 4 (D4)	4 Cyl.		2998cc	130kW (176)PS	Turbo Intercooled	TD19230	743


			
87-421600-00 STD	08-421600-00 STD		
A 63.00	2.50  CK P		
B- 16.00	2.00  P		
BØ 50.50	2.50  CR P		
D 93.50			
 36x80			
AK KK RT TP			
			
			


									
BE/PL	4	64.015/64.038	67.833/67.848	26.800		0.034/0.062	EC-LF	71-4082	71-4082/4 STD 0.25 [15]


NUMERICAL PARTS LIST

Numerische Teilenummernliste • Elenco riferimenti
Liste des références produits

		9
01-4207/4	474	844
01-4207/4	475	845
01-4207/4	476	846
01-4207/4	477	847
01-4207/4	477	848
01-4207/4	477	849
01-4207/4	491	874
01-4207/4	491	875
01-4207/4	695	1185
01-4297/4	698	1189
01-4298/4	687	1175
01-4298/4	687	1176
01-4298/4	688	1177
01-4298/4	689	1178
01-4298/4	690	1179
01-4307/4	469	833
01-4307/4	470	834
01-4307/4	470	835
01-4307/4	498	886
01-4314/4	485	863
01-4558/4	629	1094
01-4558/4	630	1095
01-4558/4	718	1224
01-4558/4	719	1225
01-4947/4	483	858
08-104000-00	561	992
08-104008-00	561	992
08-105500-00	585	1022
08-105500-00	586	1023
08-105500-00	589	1026
08-105507-00	585	1022
08-105507-00	586	1023
08-105507-00	589	1026
08-105510-00	585	1022
08-105510-00	586	1023
08-105510-00	589	1026
08-107100-00	631	1096
08-107100-00	635	1102
08-107100-00	635	1103
08-107100-00	639	1108
08-107100-10	631	1096
08-107100-10	635	1102
08-107100-10	635	1103
08-107100-10	639	1108
08-107800-10	493	878
08-107800-10	494	879
08-107800-10	494	880
08-107800-10	495	881
08-107800-10	497	885
08-107900-00	530	941
08-107900-00	531	943
08-107900-00	536	951
08-107900-00	538	954
08-107900-00	543	964
08-107900-00	551	976
08-107900-00	559	990
08-107908-00	530	941
08-107908-00	531	943
08-107908-00	536	951
08-107908-00	538	954

		9
08-107908-00	543	964
08-107908-00	551	976
08-107908-00	559	990
08-108000-00	527	937
08-108000-00	549	973
08-108000-00	550	975
08-108008-00	527	937
08-108008-00	549	973
08-108008-00	550	975
08-108200-00	843	1343
08-108200-00	845	1345
08-108208-00	843	1343
08-108208-00	845	1345
08-109000-10	601	1048
08-109000-10	601	1049
08-109000-10	602	1050
08-109000-10	603	1052
08-109008-10	601	1048
08-109008-10	601	1049
08-109008-10	602	1050
08-109008-10	603	1052
08-110000-00	721	1228
08-110100-00	729	1245
08-110100-00	729	1246
08-110100-00	730	1248
08-110200-00	618	1074
08-110200-00	629	1093
08-110200-00	634	1101
08-110200-00	636	1105
08-110200-00	637	1106
08-110200-00	671	1149
08-110200-00	673	1151
08-110300-00	713	1216
08-110300-00	714	1217
08-110300-00	716	1219
08-110300-00	717	1221
08-110500-00	725	1237
08-110500-00	726	1238
08-110500-00	726	1239
08-110500-00	727	1240
08-110500-00	728	1243
08-110900-00	596	1038
08-110900-00	599	1042
08-110906-00	596	1038
08-110906-00	599	1042
08-114700-00	674	1154
08-114700-00	677	1160
08-114700-00	678	1161
08-114700-00	678	1162
08-114700-00	679	1163
08-114700-00	680	1164
08-114700-00	680	1165
08-114700-00	683	1169
08-114700-00	684	1170
08-114700-00	685	1171
08-114700-00	674	1154
08-114708-00	677	1160
08-114708-00	678	1161
08-114708-00	678	1162
08-114708-00	679	1163

		9
08-114708-00	680	1164
08-114708-00	680	1165
08-114708-00	683	1169
08-114708-00	684	1170
08-114708-00	685	1171
08-118000-00	520	926
08-118000-00	521	927
08-118000-00	522	928
08-118000-00	523	929
08-118000-00	523	930
08-118000-00	525	933
08-118000-00	547	970
08-118006-00	520	926
08-118006-00	521	927
08-118006-00	522	928
08-118006-00	523	929
08-118006-00	525	933
08-118006-00	547	970
08-118008-00	520	926
08-118008-00	521	927
08-118008-00	522	928
08-118008-00	523	929
08-118008-00	523	930
08-118008-00	525	933
08-118008-00	547	970
08-122200-00	832	1329
08-122200-00	833	1331
08-122200-00	835	1333
08-122200-00	836	1334
08-122200-00	837	1335
08-122200-00	838	1336
08-122200-00	839	1338
08-122200-00	840	1339
08-122200-00	841	1340
08-122200-00	842	1342
08-122200-00	844	1344
08-122208-00	832	1329
08-122208-00	833	1331
08-122208-00	835	1333
08-122208-00	836	1334
08-122208-00	837	1335
08-122208-00	838	1336
08-122208-00	839	1338
08-122208-00	840	1339
08-122208-00	841	1340
08-122208-00	842	1342
08-122208-00	844	1344
08-124000-00	529	939
08-124000-00	530	941
08-124000-00	531	942
08-124000-00	531	943
08-124000-00	532	944
08-124000-00	533	945
08-124000-00	534	947
08-124000-00	536	950
08-124000-00	536	951
08-124000-00	538	953
08-124000-00	538	954
08-124000-00	539	955

		9
08-124000-00	541	957
08-124000-00	543	964
08-124000-00	551	976
08-124000-00	552	977
08-124000-00	555	982
08-124000-00	556	983
08-124000-00	559	990
08-124006-00	529	939
08-124006-00	530	941
08-124006-00	531	942
08-124006-00	531	943
08-124006-00	532	944
08-124006-00	532	944
08-124006-00	533	945
08-124006-00	534	947
08-124006-00	536	950
08-124006-00	536	951
08-124006-00	538	953
08-124006-00	538	954
08-124006-00	539	955
08-124008-00	530	941
08-124008-00	531	942
08-124008-00	531	943
08-124008-00	532	944
08-124008-00	533	945
08-124008-00	534	947
08-124008-00	536	950
08-124008-00	536	951
08-124008-00	538	953
08-124008-00	538	954
08-124008-00	539	955
08-124008-00	541	957
08-124008-00	543	964
08-124008-00	551	976
08-124008-00	552	977
08-124008-00	555	982
08-124008-00	556	983
08-124008-00	559	990
08-124600-00	728	1242
08-124700-00	598	1040
08-124706-00	598	1040
08-124708-00	598	1040
08-124800-00	516	916
08-124806-00	516	916
08-124808-00	516	916
08-126600-00	681	1166
08-126600-00	682	1167
08-126608-00	681	1166
08-126608-00	682	1167
08-137600-00	441	773
08-137600-00	442	776
08-137600-00	443	777
08-137606-00	441	773

		9
08-137606-00	442	776
08-137606-00	443	777
08-138000-00	721	1229
08-138000-00	722	1230
08-138000-00	723	1231
08-138000-00	723	1232
08-138000-00	724	1233
08-138006-00	721	1229
08-138006-00	722	1230
08-138006-00	723	1231
08-138006-00	723	1232
08-138006-00	724	1233
08-138008-00	721	1229
08-138008-00	722	1230
08-138008-00	723	1231
08-138008-00	723	1232
08-138008-00	724	1233
08-138200-00	466	826
08-138400-00	453	797
08-138400-00	453	798
08-138400-00	454	799
08-138400-00	454	800
08-138400-00	455	801
08-138400-00	455	802
08-138400-00	456	803
08-138400-00	457	805
08-138400-00	457	806
08-138400-00	458	807
08-138400-00	458	808
08-138400-00	459	809
08-138400-00	460	810
08-138400-00	460	811
08-138400-00	461	812
08-138406-00	453	797
08-138406-00	453	798
08-138406-00	454	799
08-138406-00	454	800
08-138406-00	455	801
08-138406-00	455	802
08-138406-00	456	803
08-138406-00	457	805
08-138406-00	457	806
08-138406-00	458	807
08-138406-00	458	808
08-138406-00	459	809
08-138406-00	460	810
08-138406-00	460	811
08-138406-00	461	812
08-138408-00	453	797
08-138408-00	453	798
08-138408-00	454	799
08-138408-00	454	800
08-138408-00	455	801
08-138408-00	455	802
08-138408-00	456	803
08-138408-00	457	805
08-138408-00	457	806
08-138408-00	458	807
08-138408-00	458	808
08-138408-00	459	809



		9
08-138408-00	460	810
08-138408-00	460	811
08-138408-00	461	812
08-138800-00	829	1323
08-141200-00	517	918
08-141207-00	517	918
08-141400-00	578	1010
08-142300-00	448	787
08-142300-00	449	789
08-142306-00	448	787
08-142306-00	449	789
08-142308-00	448	787
08-142308-00	449	789
08-142400-00	622	1080
08-142400-00	623	1083
08-142400-00	624	1085
08-142400-00	648	1121
08-142400-00	651	1125
08-142400-00	652	1126
08-142400-00	666	1141
08-142400-00	670	1147
08-142400-00	673	1152
08-142406-00	622	1080
08-142406-00	623	1083
08-142406-00	624	1085
08-142406-00	648	1121
08-142406-00	651	1125
08-142406-00	652	1126
08-142406-00	666	1141
08-142406-00	670	1147
08-142406-00	673	1152
08-145100-00	430	756
08-145100-00	435	763
08-145100-10	430	756
08-145100-10	435	763
08-145106-00	430	756
08-145106-00	435	763
08-145108-00	430	756
08-145108-00	435	763
08-145200-00	595	1036
08-145200-00	596	1037
08-145206-00	595	1036
08-145206-00	596	1037
08-145300-00	598	1040
08-145306-00	598	1040
08-145400-00	521	927
08-145400-00	522	928
08-145400-00	524	931
08-145400-00	525	933
08-145406-00	521	927
08-145406-00	522	928
08-145406-00	524	931
08-145406-00	525	933
08-146100-00	534	946
08-146100-00	540	956
08-146100-00	542	961
08-146100-00	553	978
08-146100-00	554	979
08-146100-00	556	984



		9
08-146100-00	558	987
08-146100-00	558	988
08-146106-00	534	946
08-146106-00	540	956
08-146106-00	542	961
08-146106-00	553	978
08-146106-00	554	979
08-146106-00	554	980
08-146106-00	556	984
08-146106-00	558	987
08-146106-00	558	988
08-146108-00	534	946
08-146108-00	540	956
08-146108-00	542	961
08-146108-00	553	978
08-146108-00	554	979
08-146108-00	554	980
08-146108-00	556	984
08-146108-00	558	987
08-146108-00	558	988
08-152000-00	587	1024
08-152000-00	588	1025
08-152000-00	590	1028
08-152000-00	591	1029
08-152003-00	587	1024
08-152003-00	588	1025
08-152003-00	590	1028
08-152003-00	591	1029
08-152007-00	587	1024
08-152007-00	588	1025
08-152007-00	590	1028
08-152007-00	591	1029
08-152010-00	587	1024
08-152010-00	588	1025
08-152010-00	590	1028
08-152010-00	591	1029
08-152011-00	587	1024
08-152011-00	588	1025
08-152011-00	590	1028
08-152011-00	591	1029
08-152700-00	765	1273
08-152700-00	827	1321
08-152707-00	765	1273
08-152707-00	827	1321
08-154200-00	447	785
08-154200-00	447	786
08-154200-00	451	793
08-154200-00	451	794
08-154200-00	452	795
08-154200-00	452	795
08-154206-00	447	785
08-154206-00	447	786
08-154206-00	451	793
08-154206-00	451	794
08-154206-00	452	795
08-154208-00	447	785
08-154208-00	447	786
08-154208-00	451	793
08-154208-00	451	794
08-154208-00	452	795
08-154600-00	687	1176



		9
08-154600-00	688	1177
08-154600-00	689	1178
08-154600-00	690	1179
08-154600-00	691	1180
08-154605-00	687	1176
08-154605-00	688	1177
08-154605-00	689	1178
08-154605-00	690	1179
08-154605-00	691	1180
08-154608-00	687	1176
08-154608-00	688	1177
08-154608-00	689	1178
08-154608-00	690	1179
08-154608-00	691	1180
08-154900-00	682	1167
08-154908-00	682	1167
08-203100-00	488	871
08-203100-00	489	872
08-203100-00	498	887
08-203100-00	499	888
08-203100-00	500	889
08-203100-00	501	891
08-203100-00	502	893
08-203100-00	502	895
08-203100-00	503	896
08-203100-00	504	897
08-203100-00	507	904
08-203100-00	508	905
08-203100-00	509	906
08-203104-00	488	871
08-203104-00	489	872
08-203104-00	498	887
08-203104-00	499	888
08-203104-00	500	889
08-203104-00	501	891
08-203104-00	502	893
08-203104-00	502	895
08-203104-00	503	896
08-203104-00	504	897
08-203104-00	507	904
08-203104-00	508	905
08-203104-00	509	906
08-203106-00	488	871
08-203106-00	489	872
08-203106-00	498	887
08-203106-00	499	888
08-203106-00	500	889
08-203106-00	501	891
08-203106-00	502	893
08-203106-00	502	895
08-203106-00	503	896
08-203106-00	504	897
08-203106-00	507	904
08-203106-00	508	905
08-203106-00	509	906
08-203108-00	488	871
08-203108-00	489	872
08-203108-00	498	887
08-203108-00	499	888
08-203108-00	500	889



NUMERICAL PARTS LIST


Numerische Teilenummernliste • Elenco riferimenti
Liste des références produits


	
08-425008-00	765 1274
08-425008-00	766 1275
08-425008-00	767 1276
08-425008-00	772 1279
08-425008-00	773 1280
08-425008-00	800 1300
08-425008-00	801 1301
08-425008-00	802 1302
08-425008-00	812 1310
08-425008-00	819 1314
08-425008-00	821 1316
08-425600-00	443 778
08-425606-00	443 778
08-425608-00	443 778
08-427700-00	692 1181
08-427700-00	692 1182
08-427707-00	692 1181
08-427707-00	692 1182
08-429300-00	485 864
08-429300-00	487 868
08-433200-00	461 813
08-433200-00	464 818
08-433200-00	465 823
08-433206-00	461 813
08-433206-00	464 818
08-433206-00	465 823
08-435700-00	444 779
08-435700-00	444 780
08-435700-00	445 781
08-435700-00	446 782
08-435706-00	444 779
08-435706-00	444 780
08-435706-00	445 781
08-435706-00	446 782
08-436500-00	592 1030
08-436500-00	592 1031
08-436500-00	593 1032
08-436500-00	593 1033
08-436500-00	594 1034
08-436500-00	595 1035
08-436506-00	592 1030
08-436506-00	592 1031
08-436506-00	593 1032
08-436506-00	593 1033
08-436506-00	594 1034
08-436506-00	595 1035
08-436800-00	462 814
08-436800-00	463 817
08-436800-00	464 819
08-436800-00	466 825
08-436800-00	467 829
08-436806-00	462 814
08-436806-00	463 817
08-436806-00	464 819
08-436806-00	466 825
08-436806-00	467 829
08-520200-00	786 1290
08-520200-00	788 1291
08-520200-00	790 1292
08-520200-00	790 1293


	
08-520200-00	792 1294
08-520200-00	794 1295
08-520200-00	797 1297
08-520200-00	798 1298
08-520200-00	799 1299
08-520200-00	817 1313
08-523100-00	527 936
08-523100-00	548 972
08-523100-00	550 974
08-523108-00	527 936
08-523108-00	548 972
08-523108-00	550 974
08-524900-00	510 909
08-524900-00	514 914
08-527200-00	480 854
08-527200-00	482 856
08-527300-00	483 859
08-527500-00	828 1322
08-527500-00	830 1325
08-527500-00	830 1326
08-527600-00	440 772
08-527606-00	440 772
08-527608-00	440 772
08-528300-00	440 771
08-528306-00	440 771
08-528400-00	468 831
08-528406-00	468 831
08-528408-00	468 831
08-528500-00	505 898
08-528500-00	506 900
08-529300-00	544 965
08-529306-00	544 965
08-530400-00	470 835
08-780700-00	509 907
08-780700-00	510 908
08-782300-00	561 993
08-782300-00	563 994
08-782308-00	561 993
08-782308-00	563 994
08-782600-00	438 767
08-782600-00	438 768
08-782600-00	439 769
08-782600-00	439 770
08-782606-00	438 767
08-782606-00	438 768
08-782606-00	439 769
08-782606-00	439 770
08-782608-00	438 767
08-782608-00	438 768
08-782608-00	439 769
08-782608-00	439 770
08-782700-00	427 750
08-783200-00	480 853
08-783300-00	804 1305
08-783300-00	806 1306
08-783300-00	821 1315
08-783300-00	822 1318
08-783308-00	804 1305
08-783308-00	806 1306
08-783308-00	821 1315


	
08-783308-00	822 1318
08-783400-00	571 1003
08-783400-00	572 1004
08-783600-00	511 910
08-783600-00	512 911
08-783600-00	513 912
08-783600-00	514 913
08-783600-00	515 915
08-783606-00	511 910
08-783606-00	512 911
08-783606-00	513 912
08-783606-00	514 913
08-783606-00	515 915
08-783608-00	511 910
08-783608-00	512 911
08-783608-00	513 912
08-783608-00	514 913
08-783608-00	515 915
08-783610-00	511 910
08-783610-00	512 911
08-783610-00	513 912
08-783610-00	514 913
08-783610-00	515 915
08-783611-00	511 910
08-783611-00	512 911
08-783611-00	513 912
08-783611-00	514 913
08-783611-00	515 915
08-783700-00	703 1199
08-783700-00	703 1200
08-783700-00	705 1203
08-783700-00	706 1204
08-783700-00	711 1213
08-783700-00	712 1214
08-783700-00	713 1215
08-783706-00	703 1199
08-783706-00	703 1200
08-783706-00	705 1203
08-783706-00	706 1204
08-783706-00	711 1213
08-783706-00	712 1214
08-783706-00	713 1215
08-783708-00	703 1199
08-783708-00	703 1200
08-783708-00	705 1203
08-783708-00	706 1204
08-783708-00	711 1213
08-783708-00	712 1214
08-783708-00	713 1215
08-783711-00	703 1199
08-783711-00	703 1200
08-783711-00	705 1203
08-783711-00	706 1204
08-783711-00	711 1213
08-783711-00	712 1214
08-783711-00	713 1215
08-783800-00	564 996
08-783800-00	565 997
08-783800-00	566 998
08-783800-00	568 1000

	
08-783800-00	573 1006
08-783800-00	574 1007
08-783800-00	575 1008
08-783800-00	578 1010
08-783800-00	579 1011
08-783800-00	581 1013
08-783800-00	582 1014
08-783808-00	564 996
08-783808-00	565 997
08-783808-00	566 998
08-783808-00	568 1000
08-783808-00	573 1006
08-783808-00	574 1007
08-783808-00	575 1008
08-783808-00	578 1010
08-783808-00	579 1011
08-783808-00	581 1013
08-783808-00	582 1014
08-785400-00	561 993
08-785400-00	563 994
08-785400-00	569 1001
08-785400-00	570 1002
08-785400-00	576 1009
08-785400-00	580 1012
08-785408-00	561 993
08-785408-00	563 994
08-785408-00	569 1001
08-785408-00	570 1002
08-785408-00	576 1009
08-785408-00	580 1012
08-785500-00	478 850
08-785500-00	479 851
08-785506-00	478 850
08-785506-00	479 851
08-785507-00	478 850
08-785507-00	479 851
08-785508-00	478 850
08-785508-00	479 851
08-786700-00	511 910
08-786700-00	512 911
08-786700-00	513 912
08-786700-00	514 913
08-786700-00	515 915
08-786800-00	707 1205
08-786800-00	708 1208
08-786800-00	709 1209
08-786800-00	710 1210
08-786806-00	707 1205
08-786806-00	708 1208
08-786806-00	709 1209
08-786806-00	710 1210
08-787000-00	518 923
08-787000-00	519 924
08-787000-00	545 966
08-787000-00	545 967
08-787000-00	546 968
08-787006-00	518 923
08-787006-00	519 924
08-787006-00	545 966
08-787006-00	545 967

 9		
14-028960-00	538	953
14-028960-00	538	954
14-028960-00	539	955
14-028960-00	543	964
14-028960-00	548	972
14-028960-00	549	973
14-028960-00	550	974
14-028960-00	550	975
14-028960-00	551	976
14-028960-00	552	977
14-028960-00	553	978
14-028960-00	555	982
14-028960-00	556	983
14-028960-00	556	984
14-028960-00	558	987
14-028960-00	558	988
14-028960-00	559	990
14-606670-00	629	1094
14-636500-00	718	1224
14-636500-00	719	1225
14-676420-00	729	1245
14-676420-00	729	1246
14-676420-00	730	1248
14-785400-00	561	993
14-785400-00	563	994
15-632000-00	631	1096
15-632000-00	631	1097
15-632000-00	633	1100
15-632000-00	634	1101
15-632000-00	635	1102
15-632000-00	635	1103
15-632000-00	636	1105
15-632000-00	637	1106
15-632000-00	638	1107
15-632000-00	671	1149
15-632000-00	673	1151
15-632100-00	483	859
15-632300-00	725	1237
15-632300-00	726	1238
15-632300-00	726	1239
15-632300-00	727	1240
15-632300-00	728	1243
15-632400-00	830	1326
15-632500-00	470	835
15-632600-00	505	898
15-632600-00	506	900
55-3984	683	1168
55-3984	683	1169
55-3984	684	1170
55-3984	685	1171
55-3985	674	1154
55-3985	676	1158
55-3985	677	1159
55-3985	677	1160
55-3985	678	1161
55-3985	678	1162
55-3985	679	1163
55-3985	680	1164
55-3985	680	1165
55-4077	441	773


 9		
55-4077	441	774
55-4077	442	775
55-4077	442	776
55-4077	443	777
55-4077	443	778
55-4077	444	779
55-4077	444	780
55-4077	445	781
55-4077	446	783
55-4078	462	815
55-4078	463	816
55-4078	467	828
55-4134	629	1094
55-4134	718	1224
55-4134	719	1225
55-4159	527	936
55-4159	527	937
55-4159	528	938
55-4159	529	939
55-4159	529	940
55-4159	530	941
55-4159	531	942
55-4159	532	944
55-4159	533	945
55-4159	534	946
55-4159	534	947
55-4159	535	948
55-4159	536	950
55-4159	537	952
55-4159	538	953
55-4159	538	954
55-4159	539	955
55-4159	541	957
55-4159	541	958
55-4159	541	959
55-4159	542	960
55-4159	542	961
55-4159	543	962
55-4159	543	963
55-4159	543	964
55-4159	548	972
55-4159	549	973
55-4159	550	974
55-4159	550	975
55-4159	551	976
55-4159	552	977
55-4159	553	978
55-4159	554	979
55-4159	554	980
55-4159	555	981
55-4159	555	982
55-4159	559	990
55-4159	592	1030
55-4159	592	1031
55-4159	594	1034
55-4186	486	867
55-4186	731	1250
55-4186	733	1252
55-4186	735	1253
55-4186	736	1254


 9		
55-4186	738	1255
55-4186	741	1258
55-4186	742	1259
55-4186	743	1260
55-4186	745	1261
55-4186	747	1262
55-4186	749	1263
55-4186	751	1264
55-4186	753	1265
55-4186	755	1266
55-4186	757	1268
55-4186	759	1269
55-4186	760	1270
55-4186	762	1271
55-4186	764	1272
55-4186	766	1275
55-4186	767	1276
55-4186	769	1277
55-4186	772	1279
55-4186	773	1280
55-4186	774	1281
55-4186	776	1282
55-4186	778	1283
55-4186	781	1286
55-4186	783	1288
55-4186	785	1289
55-4186	786	1290
55-4186	788	1291
55-4186	790	1293
55-4186	792	1294
55-4186	794	1295
55-4186	796	1296
55-4186	797	1297
55-4186	799	1299
55-4186	800	1300
55-4186	802	1302
55-4186	803	1303
55-4186	804	1305
55-4186	806	1306
55-4186	807	1307
55-4186	809	1308
55-4186	811	1309
55-4186	812	1310
55-4186	814	1311
55-4186	816	1312
55-4186	817	1313
55-4186	819	1314
55-4186	821	1316
55-4186	822	1318
55-4186	824	1319
55-4186	826	1320
55-4186	832	1329
55-4186	833	1331
55-4186	834	1332
55-4186	836	1334
55-4186	837	1335
55-4186	838	1336
55-4186	839	1338
55-4186	840	1339
55-4186	841	1340


 9		
55-4186	841	1341
55-4186	842	1342
55-4186	843	1343
55-4186	844	1344
55-4186	845	1345
55-4190	561	993
55-4190	563	994
55-4190	564	995
55-4190	568	1000
55-4190	569	1001
55-4190	574	1007
55-4190	575	1008
55-4190	579	1011
55-4190	580	1012
55-4190	581	1013
55-4190	583	1016
55-4190	583	1017
55-4190	584	1018
55-4193	501	891
55-4193	501	892
55-4193	502	895
55-4193	503	896
55-4193	606	1056
55-4193	606	1057
55-4193	619	1075
55-4193	619	1076
55-4193	620	1077
55-4193	621	1078
55-4193	621	1079
55-4193	622	1081
55-4193	623	1083
55-4193	624	1084
55-4193	626	1087
55-4193	626	1088
55-4193	627	1090
55-4193	641	1111
55-4193	641	1112
55-4193	642	1113
55-4193	643	1114
55-4193	644	1115
55-4193	645	1116
55-4193	646	1117
55-4193	647	1118
55-4193	647	1119
55-4193	648	1120
55-4193	648	1121
55-4193	649	1122
55-4193	650	1123
55-4193	650	1124
55-4193	651	1125
55-4193	652	1126
55-4193	652	1127
55-4193	653	1128
55-4193	654	1129
55-4193	655	1130
55-4193	656	1131
55-4193	657	1132
55-4193	658	1133
55-4193	659	1134
55-4193	660	1135


NUMERICAL PARTS LIST


Nummerische Teilenummernliste • Elenco riferimenti
Liste des références produits


 9		
55-4193	661	1136
55-4193	662	1137
55-4193	663	1138
55-4193	664	1139
55-4193	665	1140
55-4193	666	1141
55-4193	667	1142
55-4193	668	1143
55-4193	669	1144
55-4193	669	1145
55-4193	670	1146
55-4193	670	1147
55-4193	671	1148
55-4193	672	1150
55-4193	673	1152
55-4201	436	764
55-4201	560	991
55-4201	561	992
55-4201	587	1024
55-4201	588	1025
55-4201	590	1028
55-4201	591	1029
55-4210	440	771
55-4210	440	772
55-4210	468	831
55-4210	469	832
55-4210	478	850
55-4210	479	851
55-4210	507	904
55-4210	508	905
55-4210	509	906
55-4211	846	1346
55-4211	847	1347
55-4230	847	1347
55-4231	846	1346
55-4231	847	1347
55-4231	848	1349
55-4232	568	1000
55-4232	573	1006
55-4232	574	1007
55-4232	576	1009
55-4232	578	1010
55-4232	579	1011
55-4232	581	1013
55-4232	582	1014
55-4232	583	1015
55-4233	564	996
55-4233	565	997
55-4233	566	998
55-4233	567	999
55-4233	568	1000
55-4233	570	1002
55-4233	571	1003
55-4233	572	1004
55-4233	573	1005
55-4233	574	1007
55-4233	576	1009
55-4233	579	1011
55-4233	581	1013
55-4235	721	1227


 9		
55-4235	721	1228
55-4235	729	1245
55-4235	729	1246
55-4235	730	1248
55-4235	731	1249
55-4266	436	764
55-4275	847	1347
55-4280	469	833
55-4280	470	834
55-4280	470	835
55-4280	480	854
55-4280	481	855
55-4280	482	856
55-4280	482	857
55-4280	483	859
55-4280	484	860
55-4280	498	886
55-4280	505	898
55-4280	505	899
55-4280	506	900
55-4280	507	903
55-4280	599	1042
55-4280	600	1046
55-4280	600	1047
55-4280	628	1092
55-4280	629	1093
55-4280	631	1097
55-4280	632	1098
55-4280	632	1099
55-4280	633	1100
55-4280	634	1101
55-4280	635	1102
55-4280	635	1103
55-4280	636	1105
55-4280	637	1106
55-4280	638	1107
55-4280	639	1108
55-4280	671	1149
55-4280	673	1151
55-4280	725	1237
55-4280	726	1238
55-4280	726	1239
55-4280	727	1241
55-4280	728	1242
55-4280	728	1243
55-4280	828	1322
55-4280	829	1323
55-4280	829	1324
55-4280	830	1325
55-4280	830	1326
55-4280	831	1327
55-4280	831	1328
55-4288	468	830
55-4288	472	840
55-4288	473	841
55-4288	473	842
55-4288	473	843
55-4288	474	844
55-4288	477	847
55-4288	477	848


 9		
55-4288	477	849
55-4288	479	852
55-4288	484	862
55-4288	488	870
55-4288	488	871
55-4288	489	872
55-4288	490	873
55-4288	491	874
55-4288	491	875
55-4288	492	876
55-4288	492	877
55-4288	498	887
55-4288	499	888
55-4288	500	889
55-4288	500	890
55-4288	501	891
55-4288	501	892
55-4288	502	894
55-4288	502	895
55-4288	503	896
55-4288	504	897
55-4288	509	907
55-4288	510	908
55-4288	510	909
55-4288	511	910
55-4288	512	911
55-4288	513	912
55-4288	514	913
55-4288	514	914
55-4288	515	915
55-4288	516	916
55-4288	605	1055
55-4288	607	1058
55-4288	608	1059
55-4288	608	1060
55-4288	609	1061
55-4288	610	1062
55-4288	610	1063
55-4288	611	1064
55-4288	612	1065
55-4288	613	1066
55-4288	614	1067
55-4288	615	1068
55-4288	616	1069
55-4288	616	1070
55-4288	617	1071
55-4288	617	1072
55-4288	617	1073
55-4288	619	1075
55-4288	619	1076
55-4288	620	1077
55-4288	621	1078
55-4288	623	1082
55-4288	639	1109
55-4288	640	1110
55-4288	641	1111
55-4288	641	1112
55-4288	642	1113
55-4288	652	1127
55-4288	671	1148

 9		
55-4288	685	1172
55-4288	686	1173
55-4288	693	1183
55-4288	694	1184
55-4288	695	1185
55-4288	695	1186
55-4288	696	1187
55-4288	697	1188
55-4288	698	1189
55-4288	698	1190
55-4288	698	1191
55-4288	699	1192
55-4288	700	1193
55-4288	700	1194
55-4288	701	1195
55-4288	701	1196
55-4288	702	1197
55-4288	702	1198
55-4288	703	1199
55-4288	703	1200
55-4288	704	1201
55-4288	705	1202
55-4288	705	1203
55-4288	706	1204
55-4288	707	1205
55-4288	707	1206
55-4288	708	1207
55-4288	708	1208
55-4288	709	1209
55-4288	710	1210
55-4288	710	1211
55-4288	711	1212
55-4288	711	1213
55-4288	712	1214
55-4288	713	1215
55-4294	622	1080
55-4294	624	1085
55-4294	625	1086
55-4294	626	1089
55-4294	628	1091
55-4393	765	1273
55-4393	827	1321
55-4499	585	1022
55-4499	586	1023
55-4499	589	1026
55-4505	493	878
55-4505	494	879
55-4505	494	880
55-4505	495	881
55-4505	495	882
55-4505	496	883
55-4505	496	884
55-4505	497	885
55-4505	601	1048
55-4505	601	1049
55-4505	602	1050
55-4505	603	1051
55-4505	603	1052
55-4505	604	1053
55-4505	604	1054

 9		
55-4505	618	1074
55-4505	713	1216
55-4505	714	1217
55-4505	715	1218
55-4505	716	1219
55-4505	716	1220
55-4505	717	1221
55-4540	518	923
55-4540	519	924
55-4540	519	925
55-4540	520	926
55-4540	521	927
55-4540	522	928
55-4540	523	929
55-4540	523	930
55-4540	524	931
55-4540	525	932
55-4540	525	933
55-4540	526	934
55-4540	544	965
55-4540	545	966
55-4540	545	967
55-4540	546	968
55-4540	547	970
55-4540	547	971
55-4540	596	1038
55-4540	597	1039
55-4540	598	1040
55-4540	598	1041
55-4540	600	1045
55-4779	485	864
55-4779	486	865
55-4779	486	867
55-4779	487	869
55-4779	584	1019
55-4970	517	920
55-4970	517	921
55-4970	518	922
71-3730/4	585	1022
71-3730/4	586	1023
71-3730/4	589	1026
71-3899/4	585	1022
71-3899/4	586	1023
71-3899/4	589	1026
71-3951/4	730	1247
71-3952/4	674	1154
71-3952/4	676	1158
71-3952/4	677	1159
71-3952/4	677	1160
71-3952/4	678	1161
71-3952/4	678	1162
71-3952/4	679	1163
71-3952/4	680	1164
71-3952/4	680	1165
71-3952/4	683	1168
71-3952/4	683	1169
71-3952/4	684	1170
71-3952/4	685	1171
71-3958/5	548	972
71-3958/5	549	973


 9		
71-3958/5	551	976
71-3958/5	559	990
71-3994	527	937
71-3994	528	938
71-3994	529	939
71-3994	529	940
71-3994	530	941
71-3994	531	942
71-3994	532	944
71-3994	533	945
71-3994	534	946
71-3994	534	947
71-3994	535	948
71-3994	536	950
71-3994	537	952
71-3994	538	953
71-3994	538	954
71-3994	539	955
71-3994	541	957
71-3994	541	958
71-3994	541	959
71-3994	542	960
71-3994	542	961
71-3994	543	962
71-3994	543	963
71-3994	543	964
71-3994	548	972
71-3994	549	973
71-3994	550	974
71-3994	550	975
71-3994	551	976
71-3994	552	977
71-3994	553	978
71-3994	554	979
71-3994	554	980
71-3994	555	981
71-3994	555	982
71-3994	559	990
71-3994	594	1034
71-3994	595	1036
71-3994	596	1037
71-3996/4	519	924
71-3996/4	519	925
71-3996/4	520	926
71-3996/4	521	927
71-3996/4	522	928
71-4033/4	441	773
71-4033/4	441	774
71-4033/4	442	775
71-4033/4	442	776
71-4033/4	443	777
71-4033/4	443	778
71-4033/4	444	779
71-4033/4	444	780
71-4033/4	445	781
71-4033/4	446	783
71-4066/4	692	1181
71-4066/4	692	1182
71-4080/4	721	1229
71-4080/4	723	1232


 9		
71-4080/4	724	1234
71-4080/4	725	1236
71-4082/4	849	1352
71-4082/4	850	1353
71-4082/4	850	1354
71-4118/4	568	1000
71-4118/4	579	1011
71-4118/4	580	1012
71-4118/4	644	1115
71-4118/4	647	1118
71-4118/4	647	1119
71-4118/4	649	1122
71-4118/4	650	1123
71-4118/4	654	1129
71-4118/4	655	1130
71-4118/4	656	1131
71-4118/4	665	1140
71-4118/4	666	1141
71-4118/4	668	1143
71-4118/4	669	1144
71-4118/4	672	1150
71-4120/4	622	1080
71-4120/4	623	1083
71-4120/4	624	1084
71-4120/4	624	1085
71-4120/4	625	1086
71-4120/4	626	1087
71-4120/4	626	1088
71-4120/4	626	1089
71-4120/4	627	1090
71-4120/4	628	1091
71-4120/4	643	1114
71-4120/4	648	1120
71-4120/4	653	1128
71-4120/4	658	1133
71-4120/4	659	1134
71-4120/4	660	1135
71-4120/4	661	1136
71-4120/4	662	1137
71-4121/4	480	853
71-4126/4	484	862
71-4126/4	509	907
71-4126/4	510	908
71-4130/4	731	1250
71-4130/4	735	1253
71-4130/4	736	1254
71-4130/4	738	1255
71-4130/4	741	1258
71-4130/4	742	1259
71-4130/4	743	1260
71-4130/4	745	1261
71-4130/4	747	1262
71-4130/4	749	1263
71-4130/4	751	1264
71-4130/4	753	1265
71-4130/4	755	1266
71-4130/4	757	1268
71-4130/4	759	1269
71-4130/4	760	1270
71-4130/4	762	1271


 9		
71-4130/4	764	1272
71-4130/4	766	1275
71-4130/4	767	1276
71-4130/4	769	1277
71-4130/4	770	1278
71-4130/4	772	1279
71-4130/4	773	1280
71-4130/4	774	1281
71-4130/4	776	1282
71-4130/4	778	1283
71-4130/4	781	1286
71-4130/4	783	1288
71-4130/4	785	1289
71-4130/4	786	1290
71-4130/4	788	1291
71-4130/4	790	1293
71-4130/4	792	1294
71-4130/4	794	1295
71-4130/4	796	1296
71-4130/4	797	1297
71-4130/4	799	1299
71-4130/4	800	1300
71-4130/4	802	1302
71-4130/4	803	1303
71-4130/4	804	1305
71-4130/4	806	1306
71-4130/4	807	1307
71-4130/4	809	1308
71-4130/4	811	1309
71-4130/4	812	1310
71-4130/4	814	1311
71-4130/4	816	1312
71-4130/4	817	1313
71-4130/4	819	1314
71-4130/4	821	1316
71-4130/4	822	1318
71-4130/4	824	1319
71-4130/4	826	1320
71-4130/4	832	1329
71-4130/4	833	1331
71-4130/4	834	1332
71-4130/4	836	1334
71-4130/4	837	1335
71-4130/4	838	1336
71-4130/4	839	1338
71-4130/4	840	1339
71-4130/4	841	1340
71-4130/4	841	1341
71-4130/4	842	1342
71-4130/4	843	1343
71-4130/4	844	1344
71-4130/4	845	1345
71-4157/4	523	929
71-4157/4	523	930
71-4157/4	524	931
71-4157/4	525	932
71-4157/4	525	933
71-4157/4	526	934
71-4157/4	527	936
71-4157/4	531	943


NUMERICAL PARTS LIST

Numerische Teilenummernliste • Elenco riferimenti
Liste des références produits

 9		
71-4157/4	536	951
71-4157/4	564	996
71-4157/4	565	997
71-4157/4	566	998
71-4157/4	567	999
71-4157/4	570	1002
71-4157/4	571	1003
71-4157/4	572	1004
71-4157/4	573	1005
71-4157/4	573	1006
71-4157/4	576	1009
71-4157/4	578	1010
71-4157/4	582	1014
71-4157/4	583	1015
71-4157/4	596	1038
71-4157/4	597	1039
71-4157/4	598	1040
71-4157/4	598	1041
71-4157/4	622	1081
71-4157/4	645	1116
71-4157/4	646	1117
71-4157/4	648	1121
71-4157/4	650	1124
71-4157/4	651	1125
71-4157/4	652	1126
71-4157/4	657	1132
71-4157/4	663	1138
71-4157/4	664	1139
71-4157/4	667	1142
71-4157/4	669	1145
71-4157/4	670	1146
71-4157/4	670	1147
71-4157/4	673	1152
71-4157/5	600	1045
71-4158/4	519	925
71-4158/4	520	926
71-4158/4	521	927
71-4158/4	522	928
71-4158/4	618	1074
71-4168/4	480	854
71-4168/4	481	855
71-4168/4	482	856
71-4168/4	482	857
71-4168/4	483	859
71-4168/4	484	860
71-4168/4	505	898
71-4168/4	505	899
71-4168/4	506	900
71-4168/4	599	1042
71-4168/4	600	1046
71-4168/4	600	1047
71-4168/4	628	1092
71-4168/4	629	1093
71-4168/4	631	1097
71-4168/4	632	1098
71-4168/4	632	1099
71-4168/4	633	1100
71-4168/4	634	1101
71-4168/4	635	1102
71-4168/4	635	1103

 9		
71-4168/4	636	1105
71-4168/4	637	1106
71-4168/4	638	1107
71-4168/4	639	1108
71-4168/4	671	1149
71-4168/4	673	1151
71-4185/4	731	1250
71-4185/4	733	1252
71-4185/4	735	1253
71-4185/4	736	1254
71-4185/4	738	1255
71-4185/4	741	1258
71-4185/4	742	1259
71-4185/4	743	1260
71-4185/4	745	1261
71-4185/4	747	1262
71-4185/4	749	1263
71-4185/4	751	1264
71-4185/4	753	1265
71-4185/4	755	1266
71-4185/4	757	1268
71-4185/4	759	1269
71-4185/4	760	1270
71-4185/4	762	1271
71-4185/4	764	1272
71-4185/4	774	1281
71-4185/4	786	1290
71-4185/4	794	1295
71-4185/4	796	1296
71-4185/4	800	1300
71-4185/4	804	1305
71-4185/4	806	1306
71-4185/4	807	1307
71-4185/4	809	1308
71-4185/4	811	1309
71-4185/4	814	1311
71-4185/4	816	1312
71-4185/4	817	1313
71-4185/4	819	1314
71-4185/4	822	1318
71-4185/4	824	1319
71-4185/4	826	1320
71-4209/5	544	965
71-4209/5	545	966
71-4209/5	545	967
71-4209/5	546	968
71-4209/5	547	970
71-4209/5	547	971
71-4218/6	507	901
71-4218/6	507	902
71-4218/6	507	903
71-4218/6	725	1237
71-4218/6	726	1238
71-4218/6	726	1239
71-4218/6	727	1240
71-4218/6	727	1241
71-4218/6	728	1242
71-4218/6	728	1243
71-4218/6	828	1322
71-4218/6	829	1323

 9		
71-4218/6	829	1324
71-4218/6	830	1325
71-4218/6	830	1326
71-4218/6	831	1327
71-4218/6	831	1328
71-4229	847	1347
71-4229	849	1350
71-4234	721	1227
71-4234	721	1228
71-4234	729	1245
71-4234	729	1246
71-4234	730	1248
71-4234	731	1249
71-4250/4	717	1221
71-4279/4	681	1166
71-4279/4	682	1167
71-4279/4	691	1180
71-4281	846	1346
71-4281	847	1347
71-4776/4	485	864
71-4776/4	486	867
71-4776/4	487	869
71-4776/4	584	1019
71-4780	537	952
71-4780	539	955
71-4780	556	983
71-4780	556	984
71-4780	557	985
71-4780	557	986
71-4780	558	987
71-4780	558	988
71-4780	592	1030
71-4780	592	1031
71-4780	594	1034
72-3995	534	946
72-3995	534	947
72-3995	535	948
72-3995	537	952
72-3995	539	955
72-3995	542	961
72-3995	543	963
72-3995	553	978
72-3995	554	979
72-3995	554	980
72-3995	555	981
72-3995	555	982
72-3995	556	983
72-3995	556	984
72-3995	557	985
72-3995	557	986
72-3995	558	987
72-3995	558	988
72-3995	592	1030
72-3995	592	1031
72-3995	594	1034
72-3995	595	1036
72-3995	596	1037
72-4547	674	1154
72-4547	847	1347
72-4547	848	1348

 9		
72-4547	848	1349
72-4547	849	1350
72-4550	674	1154
72-4550	846	1346
72-4550	847	1347
72-4550	848	1348
72-4550	849	1350
87-104000-00	561	992
87-104008-00	561	992
87-105500-00	585	1022
87-105500-00	589	1026
87-105507-00	585	1022
87-105507-00	589	1026
87-107100-30	631	1096
87-107100-40	635	1103
87-107806-10	497	885
87-107900-00	530	941
87-107900-00	538	954
87-107900-00	543	964
87-107900-00	551	976
87-107900-00	559	990
87-107908-00	530	941
87-107908-00	538	954
87-107908-00	543	964
87-107908-00	551	976
87-107908-00	559	990
87-108000-00	527	937
87-108000-00	549	973
87-108000-00	550	975
87-108008-00	527	937
87-108008-00	549	973
87-108008-00	550	975
87-108200-00	843	1343
87-108200-00	845	1345
87-108208-00	843	1343
87-108208-00	845	1345
87-110100-00	730	1248
87-110200-30	636	1105
87-110200-30	671	1149
87-110200-40	634	1101
87-110200-40	637	1106
87-110500-30	725	1237
87-110500-30	726	1238
87-110500-30	726	1239
87-110500-30	727	1240
87-110500-30	728	1243
87-110900-00	596	1038
87-110900-00	599	1042
87-110906-00	596	1038
87-110906-00	599	1042
87-114700-00	679	1163
87-114700-00	680	1165
87-114700-10	678	1161
87-114700-10	680	1164
87-114700-30	683	1169
87-114700-30	684	1170
87-114700-30	685	1171
87-114700-40	677	1160
87-114708-00	679	1163
87-114708-00	680	1165

NUMERICAL PARTS LIST



Numerische Teilenummernliste • Elenco riferimenti
Liste des références produits



		9
87-245200-30	733	1251
87-245200-30	733	1252
87-245200-30	735	1253
87-245200-30	738	1255
87-245200-30	753	1265
87-245200-30	755	1266
87-245200-40	740	1257
87-245200-40	776	1282
87-245200-40	778	1283
87-245200-40	779	1284
87-245200-40	780	1285
87-245200-40	781	1286
87-245200-40	783	1288
87-245200-40	785	1289
87-245200-40	814	1311
87-245200-40	816	1312
87-245200-50	740	1257
87-245200-50	776	1282
87-245200-50	778	1283
87-245200-50	779	1284
87-245200-50	780	1285
87-245200-50	781	1286
87-245200-50	783	1288
87-245200-50	785	1289
87-245200-50	814	1311
87-245200-50	816	1312
87-245200-60	740	1256
87-245208-30	733	1251
87-245208-30	733	1252
87-245208-30	735	1253
87-245208-30	738	1255
87-245208-30	753	1265
87-245208-30	755	1266
87-245208-40	740	1257
87-245208-40	776	1282
87-245208-40	778	1283
87-245208-40	779	1284
87-245208-40	780	1285
87-245208-40	781	1286
87-245208-40	783	1288
87-245208-40	785	1289
87-245208-40	814	1311
87-245208-40	816	1312
87-245208-50	740	1257
87-245208-50	776	1282
87-245208-50	778	1283
87-245208-50	779	1284
87-245208-50	780	1285
87-245208-50	781	1286
87-245208-50	783	1288
87-245208-50	785	1289
87-245208-50	814	1311
87-245208-50	816	1312
87-315200-00	485	863
87-421600-00	850	1354
87-425000-00	765	1274
87-425000-00	766	1275
87-425000-00	767	1276
87-425000-00	773	1280
87-425000-00	812	1310



		9
87-425000-00	821	1316
87-425000-10	800	1300
87-425000-10	801	1301
87-425000-10	802	1302
87-425000-10	819	1314
87-425008-00	765	1274
87-425008-00	766	1275
87-425008-00	767	1276
87-425008-00	773	1280
87-425008-00	812	1310
87-425008-00	821	1316
87-425008-10	800	1300
87-425008-10	801	1301
87-425008-10	802	1302
87-425008-10	819	1314
87-425600-00	443	778
87-425606-00	443	778
87-427700-10	692	1181
87-427700-30	692	1182
87-427707-10	692	1181
87-436500-00	592	1030
87-436500-00	592	1031
87-436500-00	594	1034
87-436500-00	595	1035
87-436506-00	592	1030
87-436506-00	592	1031
87-436506-00	594	1034
87-436506-00	595	1035
87-436800-00	466	825
87-436806-00	466	825
87-520200-00	786	1290
87-520200-00	788	1291
87-520200-00	790	1292
87-520200-00	790	1293
87-520200-00	792	1294
87-520200-00	794	1295
87-520200-00	797	1297
87-520200-00	798	1298
87-520200-00	799	1299
87-520200-00	817	1313
87-523100-00	527	936
87-523100-00	548	972
87-523100-00	550	974
87-523108-00	527	936
87-523108-00	548	972
87-523108-00	550	974
87-527200-00	480	854
87-527200-00	482	856
87-527300-00	483	859
87-527600-00	440	772
87-527606-00	440	772
87-527608-00	440	772
87-528300-00	440	771
87-528306-00	440	771
87-528400-00	468	831
87-528406-00	468	831
87-528408-00	468	831
87-528500-00	505	898
87-528500-00	506	900
87-529300-00	544	965



		9
87-529306-00	544	965
87-530400-00	470	835
87-782300-00	563	994
87-782308-00	563	994
87-782606-00	438	767
87-782608-00	438	767
87-782700-00	427	750
87-782708-00	427	750
87-783300-00	804	1305
87-783300-00	806	1306
87-783300-00	821	1315
87-783300-00	822	1318
87-783308-00	804	1305
87-783308-00	806	1306
87-783308-00	821	1315
87-783308-00	822	1318
87-783400-00	572	1004
87-783600-00	512	911
87-783600-00	513	912
87-783600-00	514	913
87-783600-00	515	915
87-783606-00	512	911
87-783606-00	513	912
87-783606-00	514	913
87-783606-00	515	915
87-783608-00	512	911
87-783608-00	513	912
87-783608-00	514	913
87-783608-00	515	915
87-783700-00	703	1199
87-783700-00	703	1200
87-783700-00	705	1203
87-783700-00	706	1204
87-783700-00	711	1213
87-783700-00	712	1214
87-783700-00	713	1215
87-783706-00	703	1199
87-783706-00	703	1200
87-783706-00	705	1203
87-783706-00	706	1204
87-783706-00	711	1213
87-783706-00	712	1214
87-783706-00	713	1215
87-783708-00	703	1199
87-783708-00	703	1200
87-783708-00	705	1203
87-783708-00	706	1204
87-783708-00	711	1213
87-783708-00	712	1214
87-783708-00	713	1215
87-783800-00	564	996
87-783800-00	566	998
87-783800-10	565	997
87-783800-10	573	1006
87-783800-10	574	1007
87-783800-10	575	1008
87-783800-10	578	1010
87-783800-10	582	1014
87-783800-30	564	996
87-783800-30	566	998

		9
87-783800-30	573	1006
87-783800-30	574	1007
87-783800-30	575	1008
87-783800-30	578	1010
87-783800-30	581	1013
87-783800-30	582	1014
87-783808-00	564	996
87-783808-00	566	998
87-783808-10	565	997
87-783808-10	573	1006
87-783808-10	574	1007
87-783808-10	575	1008
87-783808-10	578	1010
87-783808-10	582	1014
87-783808-30	564	996
87-783808-30	566	998
87-783808-30	573	1006
87-783808-30	574	1007
87-783808-30	575	1008
87-783808-30	578	1010
87-783808-30	581	1013
87-783808-30	582	1014
87-785400-00	563	994
87-785400-00	569	1001
87-785400-00	576	1009
87-785400-00	580	1012
87-785408-00	563	994
87-785408-00	569	1001
87-785408-00	576	1009
87-785408-00	580	1012
87-785500-00	478	850
87-785506-00	478	850
87-785508-00	478	850
87-786800-00	707	1205
87-786800-00	708	1208
87-786800-00	709	1209
87-786800-00	710	1210
87-786806-00	707	1205
87-786806-00	708	1208
87-786806-00	709	1209
87-786806-00	710	1210
87-787000-00	545	966
87-787000-00	545	967
87-787000-00	546	968
87-787000-10	519	924
87-787000-30	518	923
87-787006-00	545	966
87-787006-00	545	967
87-787006-00	546	968
87-787006-10	519	924
87-787006-30	518	923
87-854700-00	832	1329
87-854700-00	833	1331
87-854700-00	835	1333
87-854700-00	838	1336
87-854700-00	844	1344
87-854708-00	832	1329
87-854708-00	833	1331
87-854708-00	835	1333
87-854708-00	838	1336

		
87-854708-00	844	1344
88-152000-30	587	1024
88-152000-30	591	1029
88-527600-00	440	772
88-528300-00	440	771
88-528400-00	468	831
88-530300-00	526	935
88-785500-00	478	850
89-107100-30	631	1096
89-107100-40	635	1103
89-110100-00	730	1248
89-110200-30	636	1105
89-110200-30	671	1149
89-110200-40	634	1101
89-110200-40	637	1106
89-110500-30	725	1237
89-110500-30	726	1238
89-110500-30	726	1239
89-110500-30	727	1240
89-110500-30	728	1243
89-316900-00	719	1225
89-316900-10	719	1225
89-527200-00	480	854
89-527200-00	482	856
89-527300-00	483	859
89-528500-00	505	898
89-528500-00	506	900
89-530400-00	470	835
A160/4	560	991
A160/4	561	992
A161/2	675	1155
A161/2	676	1156
A161/2	676	1157
A178/4	469	833
A178/4	470	834
A178/4	470	835
A178/4	480	854
A178/4	481	855
A178/4	482	856
A178/4	482	857
A178/4	483	859
A178/4	484	860
A178/4	498	886
A178/4	505	898
A178/4	505	899
A178/4	506	900
A178/4	599	1042
A178/4	600	1046
A178/4	600	1047
A178/4	628	1092
A178/4	629	1093
A178/4	631	1097
A178/4	632	1098
A178/4	632	1099
A178/4	633	1100
A178/4	634	1101
A178/4	635	1102
A178/4	635	1103
A178/4	636	1105
A178/4	637	1106


		
A178/4	638	1107
A178/4	639	1108
A178/4	671	1149
A178/4	673	1151
A182/2	426	748
A182/2	426	749
A182/2	427	751
A182/2	428	752
A182/2	429	753
A182/2	429	754
A182/2	430	755
A182/2	430	756
A182/2	431	757
A182/2	432	758
A182/2	432	759
A182/2	433	760
A182/2	433	761
A182/2	434	762
A182/2	435	763
A182/2	436	765
A182/2	437	766
A182/2	439	769
A182/2	439	770
A182/2	471	839
A188/4	585	1022
A188/4	586	1023
A188/4	588	1025
A188/4	589	1026
A188/4	590	1028
A188/4	591	1029
A188/4	681	1166
A188/4	682	1167
A188/4	687	1175
A188/4	687	1176
A188/4	688	1177
A188/4	689	1178
A188/4	690	1179
A188/4	691	1180
A190/2	518	923
A190/2	519	924
A190/2	519	925
A190/2	520	926
A190/2	521	927
A190/2	522	928
A190/2	523	929
A190/2	523	930
A190/2	524	931
A190/2	525	932
A190/2	525	933
A190/2	526	934
A190/2	527	936
A190/2	531	943
A190/2	536	951
A190/2	596	1037
A190/2	596	1038
A190/2	597	1039
A190/2	598	1040
A190/2	598	1041
A190/2	618	1074
A191/2	527	937


		
A191/2	528	938
A191/2	529	939
A191/2	529	940
A191/2	530	941
A191/2	531	942
A191/2	532	944
A191/2	533	945
A191/2	534	946
A191/2	534	947
A191/2	535	948
A191/2	536	950
A191/2	537	952
A191/2	538	953
A191/2	538	954
A191/2	539	955
A191/2	541	957
A191/2	541	958
A191/2	541	959
A191/2	542	960
A191/2	542	961
A191/2	543	962
A191/2	543	963
A191/2	543	964
A191/2	544	965
A191/2	545	966
A191/2	545	967
A191/2	546	968
A191/2	547	970
A191/2	547	971
A191/2	548	972
A191/2	549	973
A191/2	550	974
A191/2	550	975
A191/2	551	976
A191/2	552	977
A191/2	553	978
A191/2	554	979
A191/2	554	980
A191/2	555	981
A191/2	555	982
A191/2	559	990
A191/2	592	1030
A191/2	592	1031
A191/2	594	1034
A191/2	595	1036
A191/2	600	1045
A192/4	846	1346
A192/4	847	1347
A193/4	846	1346
A193/4	847	1347
A197/2	468	830
A198/2	468	830
A198/2	484	862
A198/2	488	870
A198/2	488	871
A198/2	489	872
A198/2	490	873
A198/2	492	876
A198/2	492	877
A198/2	498	887


		
A198/2	499	888
A198/2	500	889
A198/2	504	897
A198/2	509	907
A198/2	510	908
A198/2	510	909
A198/2	511	910
A198/2	512	911
A198/2	513	912
A198/2	514	913
A198/2	514	914
A198/2	515	915
A198/2	516	916
A198/2	685	1172
A198/2	686	1173
A198/2	693	1183
A198/2	694	1184
A198/2	695	1186
A198/2	696	1187
A198/2	697	1188
A198/2	698	1190
A198/2	698	1191
A198/2	699	1192
A198/2	700	1193
A198/2	700	1194
A198/2	701	1195
A198/2	701	1196
A198/2	702	1197
A198/2	702	1198
A198/2	703	1199
A198/2	703	1200
A198/2	704	1201
A198/2	705	1202
A198/2	705	1203
A198/2	706	1204
A198/2	707	1205
A198/2	707	1206
A198/2	708	1207
A198/2	708	1208
A198/2	709	1209
A198/2	710	1210
A198/2	710	1211
A198/2	711	1212
A198/2	711	1213
A198/2	712	1214
A198/2	713	1215
A199/4	629	1094
A199/4	718	1224
A199/4	719	1225
A201/2	473	842
A201/2	473	843
A201/2	479	852
A201/2	480	853
A201/2	500	890
A201/2	501	891
A201/2	501	892
A201/2	502	894
A201/2	502	895
A201/2	503	896
A201/2	561	993


NUMERICAL PARTS LIST


Numerische Teilenummernliste • Elenco riferimenti
Liste des références produits


 9		
A201/2	563	994
A201/2	564	995
A201/2	564	996
A201/2	565	997
A201/2	566	998
A201/2	567	999
A201/2	568	1000
A201/2	569	1001
A201/2	570	1002
A201/2	571	1003
A201/2	572	1004
A201/2	573	1005
A201/2	573	1006
A201/2	574	1007
A201/2	575	1008
A201/2	576	1009
A201/2	578	1010
A201/2	579	1011
A201/2	580	1012
A201/2	581	1013
A201/2	582	1014
A201/2	583	1015
A201/2	583	1016
A201/2	583	1017
A201/2	584	1018
A201/2	605	1055
A201/2	606	1056
A201/2	606	1057
A201/2	607	1058
A201/2	608	1059
A201/2	608	1060
A201/2	609	1061
A201/2	610	1062
A201/2	610	1063
A201/2	611	1064
A201/2	612	1065
A201/2	613	1066
A201/2	614	1067
A201/2	615	1068
A201/2	616	1069
A201/2	616	1070
A201/2	617	1071
A201/2	617	1072
A201/2	617	1073
A201/2	619	1075
A201/2	619	1076
A201/2	620	1077
A201/2	621	1078
A201/2	621	1079
A201/2	622	1080
A201/2	622	1081
A201/2	623	1082
A201/2	623	1083
A201/2	624	1084
A201/2	624	1085
A201/2	625	1086
A201/2	626	1087
A201/2	626	1088
A201/2	626	1089
A201/2	627	1090


 9		
A201/2	628	1091
A201/2	639	1109
A201/2	640	1110
A201/2	641	1111
A201/2	641	1112
A201/2	642	1113
A201/2	643	1114
A201/2	644	1115
A201/2	645	1116
A201/2	646	1117
A201/2	647	1118
A201/2	647	1119
A201/2	648	1120
A201/2	648	1121
A201/2	649	1122
A201/2	650	1123
A201/2	650	1124
A201/2	651	1125
A201/2	652	1126
A201/2	652	1127
A201/2	653	1128
A201/2	654	1129
A201/2	655	1130
A201/2	656	1131
A201/2	657	1132
A201/2	658	1133
A201/2	659	1134
A201/2	660	1135
A201/2	661	1136
A201/2	662	1137
A201/2	663	1138
A201/2	664	1139
A201/2	665	1140
A201/2	666	1141
A201/2	667	1142
A201/2	668	1143
A201/2	669	1144
A201/2	669	1145
A201/2	670	1146
A201/2	670	1147
A201/2	671	1148
A201/2	672	1150
A201/2	673	1152
A203/2	471	837
A205/2	493	878
A205/2	494	879
A205/2	494	880
A205/2	495	881
A205/2	495	882
A205/2	496	883
A205/2	496	884
A205/2	497	885
A205/2	601	1048
A205/2	601	1049
A205/2	602	1050
A205/2	603	1051
A205/2	603	1052
A205/2	604	1053
A205/2	604	1054
A205/2	713	1216


 9		
A205/2	714	1217
A205/2	715	1218
A205/2	716	1219
A205/2	716	1220
A205/2	717	1221
A206/2	438	767
A206/2	438	768
A213/4	765	1273
A213/4	827	1321
A214/4	436	764
A214/4	585	1021
A214/4	587	1024
A214/4	674	1154
A214/4	676	1158
A214/4	677	1159
A214/4	677	1160
A214/4	678	1161
A214/4	678	1162
A214/4	679	1163
A214/4	680	1164
A214/4	680	1165
A214/4	683	1168
A214/4	683	1169
A214/4	684	1170
A214/4	685	1171
A221/2	472	840
A221/2	473	841
A221/2	474	844
A221/2	475	845
A221/2	476	846
A221/2	477	847
A221/2	477	848
A221/2	477	849
A221/2	491	874
A221/2	491	875
A221/2	695	1185
A221/2	698	1189
A227/2	721	1227
A227/2	721	1228
A227/2	729	1245
A227/2	729	1246
A227/2	730	1248
A227/2	731	1249
A241/2	687	1175
A241/2	687	1176
A241/2	688	1177
A241/2	689	1178
A241/2	690	1179
A291/2	485	864
A291/2	486	865
A291/2	486	867
A291/2	487	869
A291/2	584	1019
A316/2	483	858
A321/2	517	921
A321/2	518	922
AA5420	94	190
AA5420	95	191
AA5420	101	198
AA5420	102	199


 9		
AA5420	104	201
AA5420	104	202
AA5420	106	204
AA5420	207	345
AA5420	209	348
AA5420	211	350
AA5420	212	351
AA5520	244	417
AA5520	245	422
AA5550	328	568
AA5550	328	569
AA5561	112	211
AA5561	113	212
AA5561	114	213
AA5561	115	214
AA5561	116	216
AA5561	118	218
AA5561	119	219
AA5561	120	220
AA5561	121	221
AA5561	122	222
AA5561	128	231
AA5561	128	232
AA5561	129	233
AA5561	130	235
AA5561	131	236
AA5561	132	237
AA5561	135	244
AA5561	143	255
AA5561	144	256
AA5571	112	211
AA5571	113	212
AA5571	114	213
AA5571	115	214
AA5571	116	216
AA5571	118	218
AA5571	119	219
AA5571	120	220
AA5571	121	221
AA5571	122	222
AA5571	128	231
AA5571	128	232
AA5571	129	233
AA5571	130	235
AA5571	131	236
AA5571	132	237
AA5571	135	244
AA5571	143	255
AA5571	144	256
AA5581	112	211
AA5581	113	212
AA5581	114	213
AA5581	115	214
AA5581	116	216
AA5581	118	218
AA5581	119	219
AA5581	120	220
AA5581	121	221
AA5581	122	222
AA5581	128	231


		9
AA5581	128	232
AA5581	129	233
AA5581	130	235
AA5581	131	236
AA5581	132	237
AA5581	135	244
AA5581	143	255
AA5581	144	256
AA5590	151	264
AA5590	152	265
AA5590	213	354
AA5720	156	269
AA5720	158	271
AA5730	156	269
AA5730	158	271
AA5740	156	269
AA5740	158	271
AA5780	161	274
AA5780	162	275
AA5780	163	276
AA5780	164	277
AA5790	161	274
AA5790	162	275
AA5790	163	276
AA5790	164	277
AA5800	161	274
AA5800	162	275
AA5800	163	276
AA5800	164	277
AA5830	172	294
AA5840	172	294
AA5850	172	294
AA5860	172	294
AA5870	172	294
AA5880	172	294
AB5101	347	614
AB5101	349	617
AB5101	363	635
AB5101	363	636
AB5101	364	637
AB5101	367	641
AB5101	370	646
AB5101	371	648
AB5101	372	650
AB5101	373	652
AB5101	374	653
AB5101	376	658
AB5101	378	660
AB5101	380	663
AB5101	385	672
AB5101	386	674
AB5101	387	675
AB5111	347	614
AB5111	348	615
AB5111	349	617
AB5111	363	635
AB5111	363	636
AB5111	364	637
AB5111	367	641
AB5111	368	642


		9
AB5111	369	645
AB5111	372	650
AB5111	373	652
AB5111	374	653
AB5111	374	654
AB5111	375	655
AB5111	376	658
AB5111	377	659
AB5111	378	660
AB5111	380	663
AB5111	385	672
AB5111	386	674
AB5111	387	675
AB5150	88	180
AB5150	89	181
AB5720	332	580
AB5720	333	581
AB5720	333	582
AB5720	334	583
AB5720	334	585
AB5720	335	586
AB5720	336	588
AB5720	336	589
AB5720	337	591
AB5720	350	618
AB5730	332	580
AB5730	333	581
AB5730	333	582
AB5730	334	583
AB5730	334	585
AB5730	335	586
AB5730	336	588
AB5730	336	589
AB5730	337	591
AB5730	350	618
AB5740	332	580
AB5740	333	581
AB5740	333	582
AB5740	334	583
AB5740	334	585
AB5740	335	586
AB5740	336	588
AB5740	336	589
AB5740	337	591
AB5740	350	618
AC5012	285	494
AC5012	287	497
AC5012	288	498
AC5020	285	494
AC5020	287	497
AC5020	288	498
AC5032	285	494
AC5032	287	497
AC5032	288	498
AC5040	285	494
AC5040	287	497
AC5040	288	498
AC5052	285	494
AC5052	287	497
AC5052	288	498


		9
AC5140	173	296
AC5140	174	298
AC5140	176	301
AC5140	177	302
AC5140	178	303
AC5140	180	306
AC5140	183	311
AC5140	185	313
AC5140	187	315
AC5140	189	318
AC5140	190	319
AC5140	196	325
AC5140	197	326
AC5150	173	296
AC5150	174	298
AC5150	176	301
AC5150	177	302
AC5150	178	303
AC5150	180	306
AC5150	183	311
AC5150	184	312
AC5150	185	313
AC5150	187	315
AC5150	189	318
AC5150	190	319
AC5150	196	325
AC5150	197	326
AC5160	173	296
AC5160	174	298
AC5160	176	301
AC5160	177	302
AC5160	178	303
AC5160	180	306
AC5160	183	311
AC5160	184	312
AC5160	185	313
AC5160	187	315
AC5160	189	318
AC5160	190	319
AC5180	173	296
AC5180	174	298
AC5180	176	301
AC5180	177	302
AC5180	178	303
AC5180	180	306
AC5180	183	311
AC5180	184	312
AC5180	185	313
AC5180	187	315
AC5180	189	318
AC5180	190	319
AC5180	196	325
AC5180	197	326
AD5130	47	86
AD5140	47	86
AD5150	47	86
AD5160	47	86
AD5170	47	86

		9
AD5190	165	279
AD5190	166	283
AD5300	282	485
AD5300	282	486
AD5300	283	487
AD5490	283	489
AD5490	284	490
AD5490	284	492
AD5490	285	493
AD5490	286	496
AD5490	291	504
AD5490	291	505
AD5500	283	489
AD5500	284	492
AD5500	285	493
AD5500	286	495
AD5500	286	496
AD5500	291	504
AD5500	291	505
AD5510	283	489
AD5510	284	492
AD5510	285	493
AD5510	286	495
AD5510	286	496
AD5510	291	504
AD5510	291	505
AD5520	283	489
AD5520	284	490
AD5520	284	492
AD5520	285	493
AD5520	286	495
AD5520	286	496
AD5520	291	504
AD5520	291	505
AD5701	46	85
AD5800	10	22
AD5800	11	24
AD5800	11	25
AD5800	12	26
AD5800	12	27
AD5800	13	28
AD5800	13	29
AD5800	14	30
AD5800	14	31
AD5800	14	32
AD5800	15	33
AD5810	10	22
AD5810	11	24
AD5810	11	25
AD5810	12	26
AD5810	12	27
AD5810	13	28
AD5810	13	29
AD5810	14	30
AD5810	14	31
AD5810	14	32
AD5810	15	33
AD5820	10	22
AD5820	11	24

		9
AH7380	205	340
AH7380	205	341
AH7390	205	340
AH7390	205	341
AM870	10	21
AN300	243	414
AN300	244	415
AN300	244	416
AN300	244	419
AN300	245	420
AN300	245	421
AN300	246	424
AN300	246	425
AN300	342	606
AN350	68	132
AN350	69	137
AN350	70	138
AN350	71	140
AY070	295	512
AY290	353	621
AY290	381	666
AY290	382	667
AY290	383	668
AY290	384	670
AY290	388	676
AY290	389	677
AY290	390	679
AY290	391	680
AY290	392	681
AY290	393	682
AY290	394	683
AY290	394	684
AY300	353	621
AY300	379	662
AY300	380	663
AY300	381	666
AY300	382	667
AY300	383	668
AY300	384	670
AY300	388	676
AY300	389	677
AY300	390	679
AY300	391	680
AY300	392	681
AY300	393	682
AY300	394	683
AY300	394	684
AY310	353	621
AY310	381	666
AY310	382	667
AY310	383	668
AY310	384	670
AY310	388	676
AY310	389	677
AY310	390	679
AY310	391	680
AY310	392	681
AY310	393	682
AY310	394	683
AY310	394	684


		9
AY320	146	258
AY320	147	259
AY400	331	578
AY400	332	579
AY400	342	606
AY400	342	607
AY400	343	608
AY400	343	609
AY400	344	611
AY410	331	578
AY410	332	579
AY410	342	606
AY410	342	607
AY410	343	608
AY410	343	609
AY410	344	611
AY420	331	578
AY420	332	579
AY420	342	606
AY420	342	607
AY420	342	608
AY420	343	609
AY420	343	609
AY420	343	609
AY420	343	609
AY420	343	609
AY420	344	610
AY420	344	610
AY420	344	611
AY430	4	5
AY430	7	14
AY430	8	15
AY460	311	540
AY460	312	541
AY460	312	542
AY460	313	543
AY460	314	545
AY460	314	546
AY460	315	547
AY460	321	558
AY460	322	559
AY460	323	560
AY460	324	561
AY460	325	562
AY470	315	548
AY470	316	549
AY470	316	550
AY470	317	551
AY470	317	552
AY470	318	553
AY470	318	554
AY470	319	555
AY470	319	556
AY470	320	557
AY480	90	184
AY480	91	185
AY480	91	186
AY500	93	189
AY500	95	192
AY500	96	193
AY500	97	194
AY500	98	195
AY500	99	196
AY500	100	197
AY500	103	200


		9
AY500	104	201
AY500	104	202
AY500	105	203
AY500	107	205
AY500	108	206
AY500	241	408
AY510	92	187
AY520	111	210
AY520	141	253
AY520	142	254
AY530	111	210
AY530	141	253
AY530	142	254
AY540	111	210
AY540	141	253
AY540	142	254
AY550	157	270
AY550	159	272
AY550	160	273
AY550	169	289
AY550	170	290
AY560	157	270
AY560	159	272
AY560	160	273
AY560	169	289
AY560	170	290
AY570	157	270
AY570	159	272
AY570	160	273
AY570	170	290
AY581	347	614
AY581	349	617
AY581	363	635
AY581	363	636
AY581	364	637
AY581	367	641
AY581	370	647
AY581	372	650
AY581	373	652
AY581	374	653
AY581	376	658
AY581	378	660
AY581	380	663
AY581	385	672
AY581	386	674
AY581	387	675
AY591	347	614
AY591	348	616
AY591	349	617
AY591	363	635
AY591	363	636
AY591	364	637
AY591	364	638
AY591	367	641
AY591	368	642
AY591	368	643
AY591	369	645
AY591	370	647
AY591	371	649
AY591	372	650


		9
AY591	372	651
AY591	373	652
AY591	374	653
AY591	374	654
AY591	375	656
AY591	376	658
AY591	378	660
AY591	379	661
AY591	380	663
AY591	384	671
AY591	385	672
AY591	386	674
AY591	387	675
AY591	389	678
AY610	78	160
AY620	338	597
AY631	338	597
AY641	339	598
AY641	339	599
AY641	395	687
AY641	398	692
AY641	398	693
AY641	399	694
AY641	400	696
AY641	403	703
AY641	404	707
AY641	404	708
AY641	405	709
AY680	417	733
AY680	418	734
AY680	420	737
AY690	417	733
AY690	418	734
AY690	420	737
AY700	417	733
AY700	418	734
AY700	420	737
BC370	56	107
BC370	58	112
BD790	54	102
BD800	46	83
BE440	109	208
BE440	110	209
BE450	109	208
BE450	110	209
BE460	109	208
BE460	110	209
BE580	345	612
BE580	351	619
BE580	352	620
BE580	353	621
BE580	354	622
BE580	354	623
BE580	358	628
BE580	359	630
BE580	360	632
BE620	217	360
BE620	218	361
BE620	219	363
BE620	219	364


NUMERICAL PARTS LIST


Numerische Teilenummernliste • Elenco riferimenti
Liste des références produits


 9		
BE620	220	365
BE620	221	367
BE620	222	369
BE620	222	370
BE620	232	393
BG820	197	327
BG820	198	328
BG830	197	327
BG830	198	328
BH850	75	154
BH850	75	155
BH850	76	157
BH850	76	158
BJ850	62	121
BJ850	62	122
BJ850	63	123
BJ850	64	124
BJ850	65	125
BJ860	50	94
BJ860	51	95
BJ860	52	96
BJ870	50	94
BJ870	51	95
BJ870	52	96
BJ880	50	94
BJ880	51	95
BJ880	52	96
BK540	73	149
BK540	223	373
BK540	224	374
BK540	225	376
BK540	225	377
BK540	226	378
BK540	226	379
BK540	247	427
BK540	247	428
BK540	248	431
BK540	257	446
BK570	331	578
BK570	332	579
BK570	341	604
BK570	341	605
BK570	342	607
BK570	344	611
BK580	331	578
BK580	332	579
BK580	341	604
BK580	341	605
BK580	342	607
BK580	344	611
BL650	199	330
BM530	330	574
BM530	330	575
BM530	331	576
BP030	2	1
BP030	5	8
BP030	6	10
BP030	6	11
BP030	7	13
BP030	55	103


 9		
BP050	55	103
BP060	47	88
BP070	60	118
BP070	61	119
BP110	292	506
BP110	292	507
BP110	298	519
BP110	298	520
BP110	301	523
BP110	301	524
BP110	303	527
BP110	303	528
BP110	306	532
BP130	223	372
BP130	232	394
BP130	233	396
BP190	223	371
BP190	224	375
BP190	247	429
BP190	279	479
BP260	331	578
BP260	332	579
BP260	341	604
BP260	341	605
BP260	342	606
BP260	342	607
BP260	343	608
BP260	344	610
BP260	344	611
BP280	15	35
BP280	16	36
BP280	17	37
BP280	18	38
BP280	19	39
BP280	20	40
BP280	21	41
BP280	22	43
BP280	22	44
BP280	66	128
BP290	49	91
BP290	49	93
BP290	54	101
BP290	65	125
BP290	65	126
BP290	66	127
BP290	299	521
BP300	81	166
BP300	81	167
BP500	9	20
BP510	9	20
BP520	2	1
BP520	3	4
BP520	5	8
BP520	6	10
BP520	6	11
BP520	7	13
BP520	8	16
BP520	9	17
BP660	2	2
BP660	3	3


 9		
BP860	300	522
BP860	302	526
BP860	304	529
BP860	305	530
BP860	307	533
BP860	308	534
BP860	309	535
BP860	310	538
BP860	311	539
BP990	325	563
BP990	326	564
BP990	326	565
BP990	327	566
BP990	327	567
BR071	348	615
BR071	355	624
BR071	356	625
BR071	357	626
BR090	361	633
BR090	362	634
BR510	199	330
BR620	84	172
BR620	85	173
BR620	85	174
BR620	86	176
BR620	87	177
BR620	87	178
BR620	239	405
BR620	242	410
BR630	312	542
BR630	313	543
BR630	314	545
BR630	314	546
BR630	315	547
BR630	321	558
BR630	322	559
BR630	325	562
BR680	175	300
BR680	177	302
BR680	178	303
BR680	181	307
BR680	183	311
BR680	184	312
BR680	188	316
BR680	189	318
BR680	190	319
BR680	191	320
BR680	192	321
BR680	193	322
BR680	194	323
BR680	195	324
BR700	179	305
BR700	188	316
BR700	189	318
BR700	191	320
BR700	192	321
BR700	193	322
BR700	194	323
BR700	195	324

 9		
BT230	173	296
BT230	173	297
BT230	174	298
BT230	174	299
BT230	176	301
BT230	179	304
BT230	181	308
BT230	185	313
BT240	173	296
BT240	173	297
BT240	174	298
BT240	174	299
BT240	176	301
BT240	179	304
BT240	181	308
BT240	185	313
BT240	275	472
BT260	4	5
BT260	4	6
BT260	7	14
BT260	8	15
BT300	182	310
BT320	182	310
BT340	328	568
BT340	328	569
BT381	339	598
BT381	339	599
BT381	395	687
BT381	398	692
BT381	398	693
BT381	399	694
BT381	400	696
BT381	401	700
BT381	403	703
BT381	403	704
BT381	404	707
BT381	404	708
BT381	405	709
BT390	401	700
BT401	82	168
BT401	82	169
BT401	83	171
BT401	86	175
BT410	228	382
BT410	237	402
BT410	240	407
BT410	251	436
BT410	255	442
BT410	259	448
BT410	262	453
BT410	264	455
BT410	269	462
BT420	230	388
BT420	232	392
BT420	237	402
BT420	240	406
BT420	251	435
BT420	251	436
BT420	252	437
BT420	253	438

			9
BT420	260	450	
BT420	262	453	
BT420	264	455	
BT420	266	457	
BT420	270	464	
BT420	274	471	
BT420	280	480	
BT440	229	386	
BT440	234	398	
BT440	235	399	
BT440	236	400	
BT440	238	403	
BT440	239	404	
BT440	241	408	
BT440	241	409	
BT440	254	439	
BT440	254	440	
BT440	255	441	
BT440	256	443	
BT440	258	447	
BT440	261	452	
BT440	268	460	
BT440	269	462	
BT440	271	465	
BT440	272	467	
BT440	273	468	
BT440	273	469	
BT440	274	470	
BT440	275	473	
BT440	276	474	
BT440	277	475	
BT440	278	476	
BT440	279	478	
BT440	280	480	
BT440	281	482	
BT440	296	514	
BT510	250	434	
BT510	253	438	
BT520	250	434	
BT520	253	438	
BT860	80	164	
BT860	80	165	
BV140	294	510	
BV140	294	511	
BV140	295	512	
BV140	295	513	
BV670	24	47	
BV670	25	48	
BV670	26	49	
BV670	27	50	
BV670	29	53	
BV670	29	54	
BV670	30	55	
BV670	30	56	
BV670	32	58	
BV670	33	59	
BV670	37	63	
BV670	38	64	
BV680	175	300	
BV680	177	302	


			9
BV680	178	303	
BV680	180	306	
BV680	181	307	
BV680	183	311	
BV680	184	312	
BV680	186	314	
BV680	187	315	
BV680	188	317	
BV680	189	318	
BV680	190	319	
BV680	191	320	
BV680	193	322	
BV680	196	325	
BV680	197	326	
BV690	175	300	
BV690	177	302	
BV690	178	303	
BV690	180	306	
BV690	181	307	
BV690	183	311	
BV690	184	312	
BV690	186	314	
BV690	187	315	
BV690	188	317	
BV690	189	318	
BV690	190	319	
BV690	191	320	
BV690	196	325	
BV690	197	326	
BV700	175	300	
BV700	177	302	
BV700	178	303	
BV700	180	306	
BV700	181	307	
BV700	183	311	
BV700	184	312	
BV700	186	314	
BV700	187	315	
BV700	188	317	
BV700	189	318	
BV700	190	319	
BV700	191	320	
BV700	196	325	
BV700	197	326	
BV940	15	35	
BV940	16	36	
BV940	17	37	
BV940	18	38	
BV940	19	39	
BV940	20	40	
BV940	21	41	
BV940	22	43	
BV940	22	44	
BV940	66	128	
BW290	77	159	
BW290	78	161	
BW290	79	162	
BW290	79	163	
BW321	148	260	
BW321	149	261	


			9
BW321	150	262	
BW321	151	263	
BW321	153	266	
BW321	154	267	
BW321	215	356	
BW330	214	355	
BW340	156	269	
BW340	158	271	
BW350	156	269	
BW350	158	271	
BW360	156	269	
BW360	158	271	
BW410	213	353	
BW410	216	358	
BW410	217	359	
BW410	243	412	
BW410	280	481	
BW710	208	346	
BW710	208	347	
BW710	210	349	
BW710	212	352	
BW720	93	189	
BW720	94	190	
BW720	95	192	
BW720	96	193	
BW720	97	194	
BW720	98	195	
BW720	99	196	
BW720	100	197	
BW720	103	200	
BW720	104	201	
BW720	104	202	
BW720	105	203	
BW720	107	205	
BW720	108	206	
BW980	175	300	
BW980	177	302	
BW980	178	303	
BW980	180	306	
BW980	181	307	
BW980	183	311	
BW980	184	312	
BW980	186	314	
BW980	187	315	
BW980	190	319	
BW980	191	320	
BW980	196	325	
BW980	197	326	
BX030	315	548	
BX030	316	549	
BX030	316	550	
BX030	317	551	
BX030	317	552	
BX030	318	553	
BX030	318	554	
BX030	319	555	
BX030	319	556	
BX030	320	557	
BX040	90	184	
BX040	91	185	


			9
BX040	91	186	
BX391	406	711	
BX391	413	724	
BX391	414	726	
BX391	415	727	
BX391	416	730	
BX391	416	731	
BX391	417	732	
BX391	419	736	
BX401	405	710	
BX401	406	711	
BX401	409	715	
BX401	410	717	
BX401	411	719	
BX401	411	720	
BX401	413	724	
BX401	414	725	
BX401	414	726	
BX401	415	727	
BX401	415	728	
BX401	416	730	
BX401	416	731	
BX401	417	732	
BX401	419	736	
BX411	405	710	
BX411	406	711	
BX411	408	713	
BX411	409	715	
BX411	410	717	
BX411	411	720	
BX411	413	723	
BX411	413	724	
BX411	414	725	
BX411	414	726	
BX411	415	727	
BX411	415	728	
BX411	415	729	
BX411	416	730	
BX411	416	731	
BX411	417	732	
BX411	419	736	
BX421	405	710	
BX421	406	711	
BX421	409	715	
BX421	410	717	
BX421	411	720	
BX421	412	721	
BX421	412	722	
BX421	413	724	
BX421	414	725	
BX421	414	726	
BX421	415	727	
BX421	415	728	
BX421	416	730	
BX421	416	731	
BX421	417	732	
BX421	419	736	
BX880	201	333	
BX880	202	334	
BX880	204	339	


NUMERICAL PARTS LIST


Numerische Teilenummernliste • Elenco riferimenti
Liste des références produits


 9		
BX890	201	333
BX890	202	334
BX890	204	339
BX900	201	333
BX900	202	334
BX900	204	339
BX910	201	333
BX910	202	334
BX910	204	339
BX920	201	333
BX920	202	334
BX920	204	339
BX930	200	331
BX930	200	332
BX930	202	335
BX930	203	336
BX930	203	337
BX940	200	331
BX940	200	332
BX940	202	335
BX940	203	336
BX940	203	337
BX950	200	331
BX950	200	332
BX950	202	335
BX950	203	336
BX950	203	337
BX960	200	331
BX960	200	332
BX960	202	335
BX960	203	336
BX960	203	337
BX970	200	331
BX970	200	332
BX970	202	335
BX970	203	336
BX970	203	337
BX980	200	331
BX980	200	332
BX980	202	335
BX980	203	336
BY310	296	514
BY310	296	515
BY320	293	509
BY320	294	510
BY320	295	513
BY320	296	514
BY380	28	51
BY380	28	52
BY380	31	57
BY380	34	60
BY380	35	61
BY390	92	187
BY410	109	208
BY410	110	209
BY420	109	208
BY420	110	209
BY430	109	208
BY430	110	209


 9		
BY942	288	499
BY942	289	500
BY950	288	499
BY950	289	500
BY962	288	499
BY962	289	500
BY970	288	499
BY970	289	500
BY982	288	499
BY982	289	500
BZ791	117	217
BZ791	127	230
BZ801	117	217
BZ801	127	230
BZ811	117	217
BZ811	127	230
CA5420	94	190
CA5420	95	191
CA5420	106	204
CA5420	209	348
CA5420	211	350
CA5420	212	351
CA5421	101	198
CA5421	102	199
CA5421	104	201
CA5421	104	202
CA5560	112	211
CA5560	113	212
CA5560	114	213
CA5560	115	214
CA5560	116	216
CA5560	118	218
CA5560	119	219
CA5560	120	220
CA5560	121	221
CA5560	122	222
CA5560	125	226
CA5560	128	231
CA5560	128	232
CA5560	129	233
CA5560	130	235
CA5560	131	236
CA5560	132	237
CA5560	143	255
CA5560	144	256
CA5561	112	211
CA5561	113	212
CA5561	114	213
CA5561	115	214
CA5561	115	215
CA5561	116	216
CA5561	118	218
CA5561	119	219
CA5561	120	220
CA5561	121	221
CA5561	122	222
CA5561	124	225
CA5561	125	226
CA5561	128	231


 9		
CA5561	128	232
CA5561	129	233
CA5561	130	235
CA5561	131	236
CA5561	132	237
CA5561	135	244
CA5561	143	255
CA5561	144	256
CA5590	151	264
CA5590	152	265
CA5590	213	354
CA5780	161	274
CA5780	162	275
CA5780	163	276
CA5780	164	277
CA5830	172	294
CAM354	201	333
CAM354	204	339
CAM373	201	333
CAM373	204	339
CAM391	51	95
CAM391	52	96
CAM417	178	303
CAM417	179	304
CAM517	60	118
CAM517	292	506
CAM517	298	519
CAM517	298	520
CAM517	303	527
CAM517	303	528
CAM517	304	529
CAM517	305	530
CAM641	176	301
CAM648	90	184
CAM648	91	185
CAM648	91	186
CAM649	109	208
CAM649	110	209
CAM651	111	210
CAM651	114	213
CAM651	115	214
CAM651	141	253
CAM651	142	254
CAM652	157	270
CAM652	158	271
CAM652	159	272
CAM652	160	273
CAM652	161	274
CAM652	162	275
CAM652	169	289
CAM653	116	216
CAM653	117	217
CAM653	118	218
CAM653	126	228
CAM653	127	230
CAM654	112	211
CAM654	113	212
CAM654	115	215
CAM654	119	219
CAM654	120	220

 9		
CAM654	121	221
CAM654	122	222
CAM654	124	225
CAM654	125	226
CAM654	126	229
CAM654	128	231
CAM654	130	235
CAM654	131	236
CAM654	135	243
CAM654	136	246
CAM654	137	247
CAM654	139	250
CAM654	143	255
CAM654	144	256
CAM654	145	257
CAM679	285	494
CAM679	287	497
CAM681	383	668
CAM681	385	672
CAM681	416	731
CAM681	419	736
CAM709	315	548
CAM709	317	551
CAM709	319	555
CAM709	319	556
CAM709	320	557
CAM710	315	548
CAM710	317	551
CAM710	319	555
CAM710	319	556
CAM710	320	557
CAM711	10	22
CAM711	12	26
CAM711	13	28
CAM711	13	29
CAM711	15	33
CAM712	10	22
CAM712	12	26
CAM712	13	28
CAM712	13	29
CAM712	15	33
CAM713	34	60
CAM713	35	61
CAM714	34	60
CAM714	35	61
CAM716	89	181
CAM717	89	181
CAM718	388	676
CAM718	390	679
CAM718	418	734
CAM718	420	737
CAM719	84	172
CAM719	86	176
CAM719	313	543
CAM719	324	561
CAM719	325	562
CAM750	284	490
CAM750	286	495
CAM750	286	496
CAM750	290	503

			9
CAM750	291	504	
CAM750	291	505	
CAM751	284	490	
CAM751	286	495	
CAM751	286	496	
CAM751	290	503	
CAM751	291	504	
CAM751	291	505	
CB5150	88	180	
CB5150	89	181	
CB5720	332	580	
CB5720	333	581	
CB5720	333	582	
CB5720	334	583	
CB5720	334	585	
CB5720	335	587	
CB5720	336	588	
CB5720	336	589	
CB5720	336	590	
CB5720	337	591	
CB5720	350	618	
CC5010	284	490	
CC5010	285	494	
CC5010	287	497	
CC5010	288	498	
CD5140	47	86	
CD5300	282	485	
CD5490	284	490	
CD5490	286	495	
CD5490	291	504	
CD5490	291	505	
CD5500	283	489	
CD5500	284	492	
CD5500	285	493	
CD5810	10	22	
CD5810	11	25	
CD5810	12	26	
CD5810	14	30	
CD5820	12	27	
CD5820	13	28	
CD5820	13	29	
CD5820	14	31	
CD5820	14	32	
CD5820	15	33	
CD5840	123	223	
CD5840	124	224	
CD5840	132	238	
CD5840	133	239	
CD5840	133	240	
CD5840	134	241	
CD5840	134	242	
CD5840	136	245	
CD5910	164	278	
CD5910	165	279	
CD5910	165	281	
CD5910	166	282	
CD5910	166	283	
CD5960	155	268	
CD5970	88	180	
CD5970	89	181	


			9
CE5180	28	51	
CE5180	28	52	
CE5180	31	57	
CE5181	34	60	
CE5181	35	61	
CE5241	32	58	
CE5241	33	59	
CE5241	37	63	
CE5242	30	55	
CE5242	32	58	
CE5242	33	59	
CE5242	36	62	
CF24N	57	108	
CF24N	57	109	
CG01A	5	8	
CG01A	6	10	
CG01A	6	11	
CG01A	7	12	
CG01A	7	13	
CG6220	38	65	
CG6220	39	66	
CG6220	39	67	
CG6220	44	77	
CG7300	421	742	
CG7300	422	743	
CG7300	423	746	
CG7300	423	747	
CG7310	34	60	
CG7310	39	66	
CG7310	39	67	
CG7310	44	77	
CG7380	23	45	
CG7380	23	46	
CG7380	42	74	
CG7380	43	76	
CG7381	33	59	
CG7381	37	63	
CG7390	121	221	
CG7390	122	222	
CG7390	124	225	
CG7390	125	227	
CG7390	126	228	
CG7390	126	229	
CG7390	135	243	
CG7390	135	244	
CG7390	136	246	
CG7390	137	247	
CG7390	139	250	
CG7390	145	257	
CG7410	140	251	
CG7410	140	252	
CG7410	167	285	
CG7410	167	286	
CG7410	168	287	
CG7410	168	288	
CG7490	115	215	
CH5040	329	571	
CH5040	329	572	
CH5060	329	571	
CH5060	329	572	


			9
CH5240	89	182	
CH5242	415	728	
CH6390	297	516	
CKS2373	201	333	
CKS2373	204	339	
CKS2648	90	184	
CKS2648	91	185	
CKS2648	91	186	
CKS3648	90	184	
CKS3648	91	185	
CKS3648	91	186	
CM870	10	21	
CN306	243	414	
CN306	244	415	
CN306	244	417	
CN306	244	418	
CN306	245	420	
CN306	245	421	
CN306	246	425	
CN306	342	606	
CN353	67	130	
CN353	67	131	
CN353	68	132	
CN353	68	133	
CN353	68	134	
CN353	69	136	
CN353	69	137	
CN353	70	138	
CN353	71	140	
CN353	71	141	
CN353	217	360	
CN400	46	83	
CY081	293	509	
CY081	295	513	
CY082	294	510	
CY131	199	330	
CY320	146	258	
CY320	147	259	
CY470	315	548	
CY470	316	549	
CY470	316	550	
CY470	317	551	
CY470	317	552	
CY470	318	553	
CY470	318	554	
CY470	319	555	
CY470	319	556	
CY470	320	557	
CY520	157	270	
CY520	159	272	
CY520	160	273	
CY520	169	289	
CY520	170	290	
CY550	111	210	
CY550	141	253	
CY550	142	254	
CY610	78	160	
CY611	78	160	
CY620	338	597	
CY620	339	598	


			9
CY620	339	599	
CY640	395	687	
CY640	398	692	
CY640	398	693	
CY640	399	694	
CY640	400	696	
CY640	404	707	
CY640	404	708	
CY640	405	709	
CY680	417	733	
CY680	418	734	
CY680	420	737	
DC372	56	107	
DC372	57	110	
DC372	58	112	
DC372	58	113	
DC373	56	107	
DC373	58	112	
DC373	74	152	
DC373	243	414	
DC373	342	606	
DD790	54	102	
DE588	345	612	
DE588	351	619	
DE588	358	628	
DE588	359	630	
DE588	359	631	
DE588	381	666	
DE588	388	676	
DE588	389	677	
DE588	390	679	
DE622	71	141	
DE622	217	360	
DE622	218	361	
DE622	219	363	
DE622	219	364	
DE622	220	365	
DE622	221	367	
DE623	222	369	
DE623	222	370	
DE623	232	393	
DG811	197	327	
DG811	198	328	
DH854	75	154	
DH854	76	157	
DH854	76	158	
DJ720	200	331	
DJ720	201	333	
DJ720	202	334	
DJ720	203	336	
DJ720	204	339	
DJ851	60	118	
DJ851	61	119	
DJ851	61	120	
DJ851	64	124	
DJ851	65	125	
DJ851	292	506	
DJ851	292	507	
DJ851	298	519	
DJ851	298	520	


NUMERICAL PARTS LIST


Numerische Teilenummernliste • Elenco riferimenti
Liste des références produits


 9		
DJ851	300	522
DJ851	302	526
DJ851	309	535
DJ851	310	538
DJ852	62	121
DJ852	62	122
DJ852	63	123
DJ852	64	124
DJ852	65	125
DJ872	50	94
DJ872	51	95
DJ872	52	96
DK570	331	578
DK570	332	579
DK570	342	606
DK570	342	607
DK570	343	608
DK570	343	609
DK570	344	610
DK570	344	611
DK572	341	604
DM530	331	576
DM533	330	574
DM533	330	575
DM533	331	576
DM710	243	413
DP011	5	8
DP011	6	10
DP011	6	11
DP011	7	13
DP013	3	4
DP021	8	16
DP021	9	17
DP022	9	20
DP051	55	103
DP070	60	118
DP070	61	119
DP110	292	506
DP110	292	507
DP110	298	519
DP110	298	520
DP110	303	527
DP110	303	528
DP110	306	532
DP130	223	372
DP130	223	373
DP130	225	376
DP130	226	378
DP130	226	379
DP130	232	394
DP130	233	396
DP130	247	427
DP130	248	430
DP133	225	377
DP133	229	385
DP133	247	427
DP133	247	428
DP133	248	431
DP133	257	445
DP190	223	371


 9		
DP190	224	375
DP190	279	479
DP273	361	633
DP273	362	634
DP273	382	667
DP273	383	668
DP273	384	670
DP273	391	680
DP273	392	681
DP286	20	40
DP292	49	93
DP292	54	101
DP293	65	126
DP293	66	127
DP293	299	521
DP294	49	91
DP660	2	2
DP660	3	3
DP688	250	434
DP689	314	546
DP860	304	529
DP860	307	533
DP860	308	534
DP860	310	538
DP861	305	530
DP861	309	535
DP861	311	539
DP871	300	522
DP871	302	526
DP871	309	535
DR040	341	605
DR073	348	616
DR073	372	650
DR073	385	672
DR073	385	673
DR100	56	106
DR480	80	164
DR610	3	4
DR610	5	8
DR610	5	9
DR610	6	10
DR610	6	11
DR610	7	13
DR611	2	1
DR611	55	103
DR620	83	171
DR620	84	172
DR620	85	173
DR620	85	174
DR620	86	176
DR620	87	177
DR630	311	540
DR630	312	541
DR630	312	542
DR630	313	543
DR630	321	558
DR630	322	559
DR630	323	560
DR630	325	562
DR631	314	545


 9		
DR631	315	547
DR632	321	558
DR632	322	559
DR632	324	561
DS381	347	614
DS381	348	615
DS381	348	616
DS381	349	617
DS381	353	621
DS381	355	624
DS381	356	625
DS381	363	635
DS381	364	637
DS381	364	638
DS381	366	640
DS381	367	641
DS381	368	642
DS381	368	643
DS381	369	645
DS381	370	647
DS381	372	650
DS381	372	651
DS381	373	652
DS381	374	653
DS381	375	655
DS381	375	656
DS381	376	658
DS381	378	660
DS381	380	663
DS381	384	671
DS381	385	672
DS381	386	674
DS381	387	675
DS435	186	314
DS435	203	336
DS570	2	1
DS570	55	103
DS820	293	509
DT260	4	5
DT260	4	6
DT260	7	14
DT260	8	15
DT270	80	165
DT290	179	305
DT290	181	308
DT290	192	321
DT290	193	322
DT300	181	309
DT300	182	310
DT340	328	568
DT340	328	569
DT350	244	417
DT350	245	422
DT400	82	168
DT400	82	169
DT401	86	175
DT410	236	401
DT410	237	402
DT410	240	406
DT410	251	436

 9		
DT410	262	453
DT411	228	382
DT411	229	386
DT411	231	390
DT411	231	391
DT411	255	442
DT411	258	447
DT413	253	438
DT413	262	453
DT413	263	454
DT413	264	455
DT413	267	458
DT413	269	462
DT413	270	464
DT420	251	435
DT420	252	437
DT420	253	438
DT420	264	455
DT420	266	457
DT420	269	462
DT420	270	464
DT420	280	480
DT423	228	382
DT423	231	390
DT423	232	392
DT423	259	449
DT423	260	450
DT423	274	471
DT423	275	472
DT440	235	399
DT440	254	440
DT440	273	469
DT440	275	473
DT441	236	400
DT441	254	439
DT441	268	460
DT441	268	461
DT442	271	465
DT442	273	468
DT443	272	467
DT443	277	475
DT443	278	476
DT446	234	398
DT446	235	399
DT446	238	403
DT446	254	440
DT446	255	441
DT446	274	470
DT446	314	546
DT447	256	443
DT447	261	452
DT447	276	474
DT447	281	482
DT448	272	467
DT448	278	476
DT448	279	478
DT449	238	403
DT449	239	404
DT449	241	408
DT449	241	409

 9		
DT449	255	441
DT752	382	667
DV150	288	499
DV150	289	500
DV672	30	55
DV672	32	58
DV672	33	59
DV672	37	63
DV672	38	64
DV675	15	35
DV675	16	36
DV675	17	37
DV675	18	38
DV675	19	39
DV675	21	41
DV675	22	43
DV675	22	44
DV675	24	47
DV675	25	48
DV675	26	49
DV675	27	50
DV675	29	53
DV675	29	54
DV675	30	55
DV675	30	56
DV675	66	128
DV680	172	295
DV680	173	296
DV680	174	298
DV680	174	299
DV680	175	300
DV680	176	301
DV680	177	302
DV680	178	303
DV680	179	304
DV680	180	306
DV680	181	307
DV680	183	311
DV680	184	312
DV680	185	313
DV680	186	314
DV680	187	315
DV680	188	316
DV680	188	317
DV680	189	318
DV680	190	319
DV680	191	320
DV680	194	323
DV680	195	324
DV680	196	325
DV680	197	326
DW260	396	688
DW260	396	689
DW261	397	691
DW280	78	161
DW280	79	162
DW280	79	163
DW281	77	159
DW282	77	159
DW320	148	260


 9		
DW320	153	266
DW322	149	261
DW322	150	262
DW322	151	263
DW322	154	267
DW340	156	269
DW340	158	271
DW410	213	353
DW410	216	358
DW410	217	359
DW410	243	412
DW410	280	481
DW710	207	345
DW710	212	352
DW711	208	346
DW711	212	352
DW712	208	346
DW712	208	347
DW712	210	349
DW720	97	194
DW720	98	195
DW721	93	189
DW721	95	192
DW721	96	193
DW722	93	189
DW722	95	192
DW722	96	193
DW722	105	203
DW722	107	205
DW722	108	206
DW723	97	194
DW723	99	196
DW723	100	197
DW723	103	200
DW723	104	201
DW723	104	202
DX030	315	548
DX030	316	549
DX030	316	550
DX030	317	551
DX030	317	552
DX030	318	553
DX030	318	554
DX030	319	555
DX030	319	556
DX030	320	557
DX040	90	184
DX040	91	185
DX040	91	186
DX390	405	710
DX390	406	711
DX390	410	717
DX391	405	710
DX391	406	711
DX391	413	724
DX391	416	730
DX391	416	731
DX391	417	732
DX391	419	736
DX392	414	726


 9		
DX392	415	727
DX392	416	731
DX400	411	720
DY310	296	514
DY382	28	51
DY382	28	52
DY382	31	57
DY383	34	60
DY383	35	61
DY390	92	187
DY391	92	187
DY410	109	208
DY410	110	209
DZ790	117	217
DZ790	127	230
EA5420	521	927
EA5420	522	928
EA5420	523	930
EA5420	524	931
EA5420	525	932
EA5420	525	933
EA5420	598	1040
EA5780	551	976
EA5780	552	977
EA5830	560	991
EA5830	561	992
EA5830	679	1163
EA5830	680	1165
EB5150	516	916
EB5150	707	1206
EB5150	708	1207
EB5150	708	1208
EB5150	710	1210
EB5150	711	1212
ED5130	471	838
ED5490	683	1169
ED5490	684	1170
ED5500	677	1160
ED5500	678	1161
ED5500	678	1162
ED5800	442	776
ED5800	445	781
ED5810	441	773
ED5810	442	775
ED5810	443	777
ED5810	444	780
ED5820	443	778
ED5820	444	779
ED5820	446	782
ED5820	446	783
ED5820	446	784
ED5910	553	978
ED5910	554	979
ED5910	554	980
ED5910	555	981
ED5910	555	982
ED5910	556	983
ED5910	556	984
ED5910	557	985
ED5960	545	967


 9		
ED5960	547	970
ED5960	547	971
ED5960	599	1044
ED5960	600	1045
EE5180	453	797
EE5180	455	801
EE5180	456	803
EE5180	456	804
EE5180	458	807
EE5180	460	810
EE5180	462	815
EE5180	464	818
EE5180	464	819
EE5181	528	938
EE5181	529	939
EE5181	530	941
EE5181	531	942
EE5181	534	946
EE5181	534	947
EE5181	535	948
EE5181	535	949
EE5181	536	951
EE5181	538	953
EE5181	538	954
EE5181	539	955
EE5181	540	956
EE5181	543	964
EE5242	449	789
EE5242	453	798
EE5242	455	802
EE5242	456	803
EE5242	456	804
EE5242	457	805
EE5242	458	808
EE5242	459	809
EE5242	460	811
EE5242	461	813
EE5242	463	816
EE5242	463	817
EE5242	466	825
EE5242	467	827
EE5242	532	944
EG7390	533	945
EG7390	536	950
EG7390	541	957
EG7390	541	958
EG7390	542	960
EG7410	557	986
EG7410	558	987
EG7410	558	988
EG7410	559	989
EG7450	541	959
EG7450	542	961
EG7450	543	962
EG7450	543	963
EG9750	676	1156
EG9750	676	1157
EH5240	516	917
EH5240	517	918
EL650	585	1021


NUMERICAL PARTS LIST


Nummerische Teilenummernliste • Elenco riferimenti
Liste des références produits


 9		
EL890	585	1022
EL890	587	1024
EL890	588	1025
EL890	589	1026
EL890	590	1027
EL890	590	1028
EL890	591	1029
EM531	719	1225
EP280	427	750
EP280	447	785
EP280	447	786
EP280	448	787
EP280	449	790
EP280	451	793
EP280	452	795
ES381	733	1252
ES381	741	1258
ES381	798	1298
ES820	687	1175
ES820	687	1176
ES820	690	1179
ET400	510	909
ET400	511	910
ET400	512	911
ET400	513	912
ET400	514	913
ET400	514	914
ET400	515	915
ET400	702	1198
ET400	703	1199
ET400	703	1200
ET400	704	1201
ET400	705	1202
ET400	705	1203
ET400	706	1204
ET400	707	1205
ET400	711	1213
ET400	712	1214
ET400	713	1215
EV140	688	1177
EV140	689	1178
EV150	681	1166
EV150	682	1167
EV670	454	799
EV670	454	800
EV670	459	809
EV684	561	993
EV684	563	994
EV684	564	995
EV684	564	996
EV684	565	997
EV684	566	998
EV684	568	1000
EV684	569	1001
EV684	570	1002
EV684	573	1006
EV684	576	1009
EV684	578	1010
EV684	582	1014
EW091	802	1302


 9		
EW320	546	968
FA5560	112	211
FA5560	113	212
FA5560	114	213
FA5560	115	214
FA5560	116	216
FA5560	118	218
FA5560	119	219
FA5560	120	220
FA5560	121	221
FA5560	122	222
FA5560	128	231
FA5560	128	232
FA5560	129	233
FA5560	130	235
FA5560	131	236
FA5560	132	237
FA5560	135	243
FA5560	135	244
FA5560	143	255
FA5560	144	256
FB5100	347	614
FB5100	348	615
FB5100	349	617
FB5100	355	624
FB5100	356	625
FB5100	357	626
FB5100	370	647
FB5100	387	675
FB5101	363	635
FB5101	364	637
FB5101	367	641
FB5101	373	652
FB5101	374	653
FB5101	376	658
FB5101	378	660
FB5101	386	674
FB5102	348	616
FB5102	372	650
FB5102	385	672
FB5721	332	580
FB5721	333	582
FB5721	334	583
FB5721	350	618
FB5721	353	621
FB5722	332	580
FB5722	333	581
FB5722	334	585
FB5722	336	589
FB5722	337	591
FB5722	361	633
FD5810	10	22
FD5810	11	25
FD5810	12	26
FD5810	14	30
FD5820	12	27
FD5820	13	28
FD5820	13	29
FD5820	14	31
FD5820	14	32


 9		
FD5820	15	33
FD5970	88	180
FD5970	89	181
FE5240	29	53
FE5240	29	54
FE5240	30	55
FE5240	30	56
FE5240	32	58
FE5240	37	63
FF24R	46	84
FF24R	57	109
FF24R	57	110
FG615	72	144
FM872	10	21
FN402	46	83
FOL38	229	386
FOL38	230	389
FOL38	231	391
FOL38	239	405
FOL38	241	408
FOL38	242	410
FOL38	258	447
FOL38	273	468
FOL73	172	294
FOL73	200	331
FOL100	90	184
FOL100	91	185
FOL100	91	186
FOL101	90	184
FOL101	91	185
FOL101	91	186
FOL104	51	95
FOL104	52	96
FOL104	60	118
FOL104	73	148
FOL104	73	149
FOL104	84	172
FOL104	86	175
FOL104	86	176
FOL104	109	208
FOL104	110	209
FOL104	111	210
FOL104	112	211
FOL104	113	212
FOL104	114	213
FOL104	115	214
FOL104	115	215
FOL104	116	216
FOL104	117	217
FOL104	118	218
FOL104	119	219
FOL104	120	220
FOL104	121	221
FOL104	122	222
FOL104	124	225
FOL104	125	226
FOL104	126	228
FOL104	126	229
FOL104	127	230
FOL104	128	231

 9		
FOL104	129	233
FOL104	130	235
FOL104	131	236
FOL104	135	243
FOL104	135	244
FOL104	136	246
FOL104	137	247
FOL104	139	250
FOL104	141	253
FOL104	142	254
FOL104	143	255
FOL104	144	256
FOL104	145	257
FOL104	157	270
FOL104	158	271
FOL104	159	272
FOL104	160	273
FOL104	161	274
FOL104	162	275
FOL104	163	276
FOL104	164	277
FOL104	169	289
FOL104	170	290
FOL104	171	291
FOL104	172	295
FOL104	173	296
FOL104	174	299
FOL104	175	300
FOL104	176	301
FOL104	177	302
FOL104	178	303
FOL104	179	304
FOL104	179	305
FOL104	180	306
FOL104	181	307
FOL104	185	313
FOL104	186	314
FOL104	187	315
FOL104	190	319
FOL104	191	320
FOL104	192	321
FOL104	194	323
FOL104	198	328
FOL104	225	376
FOL104	226	378
FOL104	229	385
FOL104	233	396
FOL104	263	454
FOL104	265	456
FOL104	271	465
FOL104	272	466
FOL104	278	476
FOL104	292	506
FOL104	292	507
FOL104	298	519
FOL104	298	520
FOL104	300	522
FOL104	301	523
FOL104	301	524
FOL104	302	525

		9
FOL104	302	526
FOL104	303	527
FOL104	303	528
FOL104	304	529
FOL104	305	530
FOL104	305	531
FOL104	307	533
FOL104	308	534
FOL104	309	535
FOL104	309	536
FOL104	310	538
FOL104	311	539
FOL104	311	540
FOL104	312	541
FOL104	312	542
FOL104	313	543
FOL104	313	544
FOL104	314	545
FOL104	314	546
FOL104	315	547
FOL104	321	558
FOL104	322	559
FOL104	323	560
FOL104	324	561
FOL104	325	562
FOL106	88	179
FOL106	88	180
FOL106	89	181
FOL106	92	187
FOL106	92	188
FOL106	93	189
FOL106	94	190
FOL106	95	191
FOL106	95	192
FOL106	96	193
FOL106	97	194
FOL106	98	195
FOL106	100	197
FOL106	101	198
FOL106	102	199
FOL106	103	200
FOL106	104	201
FOL106	104	202
FOL106	105	203
FOL106	106	204
FOL106	107	205
FOL106	108	206
FOL106	146	258
FOL106	147	259
FOL106	148	260
FOL106	149	261
FOL106	150	262
FOL106	152	265
FOL106	153	266
FOL106	154	267
FOL106	155	268
FOL106	207	345
FOL106	208	346
FOL106	208	347
FOL106	208	348


		9
FOL106	209	348
FOL106	210	349
FOL106	211	350
FOL106	212	351
FOL106	212	352
FOL106	213	353
FOL106	213	354
FOL106	214	355
FOL106	215	356
FOL106	216	357
FOL106	256	444
FOL106	261	452
FOL106	276	474
FOL106	279	478
FOL106	315	548
FOL106	316	549
FOL106	316	550
FOL106	317	551
FOL106	317	552
FOL106	318	553
FOL106	318	554
FOL106	319	555
FOL106	319	556
FOL106	320	557
FOL109	288	499
FOL115	291	504
FOL115	291	505
FOL119	4	6
FOL119	7	14
FOL123	28	52
FOL126	16	36
FOL126	18	38
FOL126	19	39
FOL126	26	49
FOL126	27	50
FOL126	29	53
FOL126	32	58
FOL126	33	59
FOL126	37	63
FOL126	148	260
FOL126	325	563
FOL129	396	688
FOL129	397	690
FOL129	397	691
FOL129	401	698
FOL129	402	701
FOL130	326	565
FOL130	327	566
FOL145	88	179
FOL145	89	181
FOL145	92	187
FOL145	92	188
FOL145	93	189
FOL145	94	190
FOL145	95	191
FOL145	95	192
FOL145	96	193
FOL145	97	194
FOL145	100	197
FOL145	101	198


		9
FOL145	102	199
FOL145	103	200
FOL145	104	201
FOL145	104	202
FOL145	105	203
FOL145	106	204
FOL145	107	205
FOL145	108	206
FOL145	108	207
FOL145	147	259
FOL145	150	262
FOL145	152	265
FOL145	153	266
FOL145	154	267
FOL145	155	268
FOL145	207	345
FOL145	208	346
FOL145	208	347
FOL145	209	348
FOL145	210	349
FOL145	211	350
FOL145	212	351
FOL145	212	352
FOL145	213	353
FOL145	213	354
FOL145	214	355
FOL145	215	356
FOL145	216	357
FOL145	256	444
FOL145	261	452
FOL145	279	478
FOL145	315	548
FOL145	316	549
FOL145	316	550
FOL145	317	551
FOL145	317	552
FOL145	318	553
FOL145	318	554
FOL145	319	555
FOL145	319	556
FOL145	319	557
FOL145	320	557
FOL150	172	294
FOL150	200	331
FOL150	201	333
FOL150	202	334
FOL150	203	336
FOL150	203	337
FOL150	204	338
FOL150	204	339
FOL151	21	41
FOL154	285	494
FOL154	287	497
FOL161	4	5
FOL161	4	6
FOL163	285	494
FOL163	286	495
FOL163	286	496
FOL163	287	497
FOL164	329	570
FOL168	28	51


		9
FOL168	34	60
FOL168	35	61
FOL169	385	672
FOL169	416	731
FOL169	419	736
FOL171	80	165
FOL187	10	22
FOL187	12	26
FOL187	12	27
FOL187	13	28
FOL187	13	29
FOL187	14	30
FOL187	14	32
FOL187	15	33
FOL187	59	116
FOL187	123	223
FOL187	124	224
FOL187	129	234
FOL187	132	238
FOL187	133	239
FOL187	133	240
FOL187	134	241
FOL187	134	242
FOL187	136	245
FOL187	138	248
FOL187	139	249
FOL187	140	251
FOL187	164	278
FOL187	165	279
FOL187	165	281
FOL187	166	282
FOL187	166	284
FOL187	167	285
FOL187	167	286
FOL187	168	287
FOL187	168	288
FOL187	198	329
FOL187	205	341
FOL187	205	342
FOL190	286	495
FOL190	286	496
FOL190	288	498
FOL190	290	502
FOL190	290	503
FY291	345	612
FY291	351	619
FY291	352	620
FY291	354	622
FY291	358	628
FY291	359	630
FY291	381	666
FY291	389	677
FY291	390	679
FY291	394	684
FY320	146	258
FY320	147	259
FY520	157	270
FY520	159	272
FY520	160	273
FY520	169	289


NUMERICAL PARTS LIST

Numerische Teilenummernliste • Elenco riferimenti
Liste des références produits

 9		
FY520	170	290
FY550	111	210
FY550	141	253
FY550	142	254
FY610	78	160
FY611	78	160
FY620	338	597
FY620	339	598
FY620	339	599
FY640	395	687
FY640	398	692
FY640	398	693
FY640	399	694
FY640	400	696
FY640	404	707
FY640	404	708
FY640	405	709
FY690	417	733
FY691	420	737
GC374	56	107
GC374	58	112
GD671	54	102
GD790	54	102
GH857	56	107
GH857	58	112
GH857	342	606
GJ720	200	331
GJ720	200	332
GJ720	201	333
GJ720	202	334
GJ720	202	335
GJ720	204	339
GJ852	62	121
GJ852	62	122
GJ852	64	124
GJ852	65	125
GJ872	50	94
GJ872	51	95
GJ872	52	96
GK570	331	578
GK570	332	579
GK570	342	606
GK570	342	607
GK571	341	604
GK572	344	611
GK573	343	608
GK573	343	609
GK573	344	610
GK573	401	700
GK590	65	126
GK590	66	127
GK590	299	521
GM533	331	576
GP011	4	5
GP011	5	8
GP011	6	10
GP011	6	11
GP011	7	13
GP011	8	16
GP011	9	17

 9		
GP013	3	4
GP021	9	19
GP022	9	20
GP051	55	103
GP070	60	118
GP070	61	119
GP070	61	120
GP282	15	35
GP282	16	36
GP282	17	37
GP282	18	38
GP282	20	40
GP282	21	41
GP282	22	43
GP282	22	44
GP282	66	128
GP285	19	39
GP286	20	40
GP660	2	2
GP660	3	3
GP861	303	527
GP861	304	529
GP861	305	530
GP861	306	532
GP861	307	533
GP861	308	534
GP861	309	535
GP861	310	538
GP861	311	539
GP871	300	522
GP871	302	526
GR100	56	106
GR480	80	164
GR611	2	1
GR611	55	103
GR620	83	171
GR620	84	172
GR620	85	173
GR620	85	174
GR620	86	176
GR620	87	177
GR630	312	542
GR630	313	543
GR630	325	562
GS435	203	336
GT260	4	5
GT260	4	6
GT260	7	14
GT260	8	15
GT270	80	165
GT300	181	309
GT300	182	310
GT340	328	568
GT340	328	569
GT350	245	422
GT400	82	168
GT400	82	169
GT401	86	175
GT410	237	402
GT410	251	436

 9		
GT410	262	453
GT423	240	407
GT423	258	447
GT423	259	448
GT423	259	449
GT423	260	450
GT423	274	471
GT423	275	472
GT440	235	399
GT440	252	437
GT440	266	457
GT440	273	469
GT441	268	460
GT442	271	465
GT446	234	398
GT446	274	470
GT446	312	541
GT446	314	546
GT447	256	443
GT447	261	452
GT447	276	474
GT447	281	482
GV680	173	296
GV680	173	297
GV680	174	298
GV680	174	299
GV680	175	300
GV680	176	301
GV680	177	302
GV680	178	303
GV680	179	304
GV680	179	305
GV680	180	306
GV680	181	307
GV680	183	311
GV680	184	312
GV680	185	313
GV680	186	314
GV680	187	315
GV680	188	316
GV680	188	317
GV680	189	318
GV680	190	319
GV680	191	320
GV680	192	321
GV680	193	322
GV680	194	323
GV680	195	324
GV680	196	325
GV680	197	326
GW280	78	161
GW280	79	162
GW280	79	163
GW281	77	159
GW282	77	159
GW321	148	260
GW341	156	269
GW341	158	271
GW410	213	353
GW410	216	358

 9		
GW410	217	359
GW410	243	412
GW410	280	481
GW711	208	346
GW712	208	346
GW712	208	347
GW712	210	349
GW713	207	345
GW721	95	192
GW721	96	193
GW721	105	203
GW721	107	205
GW721	108	206
GW722	93	189
GW722	95	192
GW722	96	193
GW722	105	203
GW722	107	205
GW722	108	206
GW723	99	196
GW723	100	197
GW723	103	200
GW723	104	201
GW723	104	202
GW724	97	194
GW724	98	195
GX030	315	548
GX030	316	549
GX030	316	550
GX030	317	551
GX030	318	553
GX030	318	554
GX030	319	555
GX030	319	556
GX030	320	557
GX041	90	184
GX041	91	185
GX041	91	186
GX390	413	724
GX390	417	732
GX392	414	726
GX392	415	727
GX392	416	730
GX392	416	731
GX410	406	711
GX410	419	736
GY383	28	51
GY383	28	52
GY383	31	57
GY383	34	60
GY383	35	61
GY390	92	187
GY391	92	187
GY411	109	208
GY411	110	209
GZ790	117	217
GZ790	127	230
H086/5	675	1155
H086/5	676	1156
H086/5	676	1157

		9
H1011/5	441	773
H1011/5	441	774
H1011/5	442	775
H1011/5	442	776
H1011/5	443	777
H1011/5	443	778
H1011/5	444	779
H1011/5	444	780
H1011/5	445	781
H1011/5	446	783
H1018/5	692	1181
H1018/5	692	1182
H1020/5	721	1229
H1020/5	723	1232
H1020/5	724	1234
H1020/5	725	1236
H1028/5	468	830
H1028/5	488	870
H1028/5	488	871
H1028/5	489	872
H1028/5	490	873
H1028/5	492	876
H1028/5	492	877
H1028/5	498	887
H1028/5	499	888
H1028/5	500	889
H1028/5	504	897
H1028/5	685	1172
H1028/5	686	1173
H1028/5	693	1183
H1028/5	694	1184
H1028/5	695	1186
H1028/5	696	1187
H1028/5	697	1188
H1030/5	469	833
H1030/5	470	834
H1030/5	470	835
H1030/5	480	854
H1030/5	481	855
H1030/5	482	856
H1030/5	482	857
H1030/5	483	859
H1030/5	484	860
H1030/5	498	886
H1030/5	505	898
H1030/5	505	899
H1030/5	506	900
H1030/5	599	1042
H1030/5	600	1046
H1030/5	600	1047
H1030/5	628	1092
H1030/5	629	1093
H1030/5	631	1097
H1030/5	632	1098
H1030/5	632	1099
H1030/5	633	1100
H1030/5	634	1101
H1030/5	635	1102
H1030/5	635	1103
H1030/5	636	1105


		9
H1030/5	637	1106
H1030/5	638	1107
H1030/5	639	1108
H1030/5	671	1149
H1030/5	673	1151
H1039/3	426	748
H1039/3	426	749
H1039/3	427	751
H1039/3	428	752
H1039/3	429	753
H1039/3	429	754
H1039/3	430	755
H1039/3	430	756
H1039/3	432	758
H1039/3	433	760
H1039/3	433	761
H1039/3	435	763
H1039/3	436	765
H1039/3	437	766
H1039/3	439	769
H1039/3	439	770
H1039/3	471	839
H1041/4	729	1244
H1043/5	473	842
H1043/5	473	843
H1043/5	479	852
H1043/5	500	890
H1043/5	501	891
H1043/5	501	892
H1043/5	502	894
H1043/5	502	895
H1043/5	503	896
H1043/5	561	993
H1043/5	563	994
H1043/5	564	995
H1043/5	569	1001
H1043/5	575	1008
H1043/5	576	1009
H1043/5	583	1016
H1043/5	583	1017
H1043/5	584	1018
H1043/5	605	1055
H1043/5	606	1056
H1043/5	606	1057
H1043/5	607	1058
H1043/5	608	1059
H1043/5	608	1060
H1043/5	609	1061
H1043/5	610	1062
H1043/5	610	1063
H1043/5	611	1064
H1043/5	612	1065
H1043/5	613	1066
H1043/5	614	1067
H1043/5	615	1068
H1043/5	616	1069
H1043/5	617	1072
H1043/5	619	1075
H1043/5	619	1076
H1043/5	620	1077


		9
H1043/5	621	1078
H1043/5	621	1079
H1043/5	622	1080
H1043/5	623	1082
H1043/5	623	1083
H1043/5	624	1084
H1043/5	624	1085
H1043/5	625	1086
H1043/5	626	1087
H1043/5	626	1088
H1043/5	626	1089
H1043/5	627	1090
H1043/5	628	1091
H1043/5	639	1109
H1043/5	640	1110
H1043/5	641	1111
H1043/5	641	1112
H1043/5	642	1113
H1043/5	645	1116
H1043/5	646	1117
H1043/5	649	1122
H1043/5	650	1123
H1043/5	652	1127
H1043/5	653	1128
H1043/5	658	1133
H1043/5	659	1134
H1043/5	660	1135
H1043/5	661	1136
H1043/5	662	1137
H1043/5	663	1138
H1043/5	664	1139
H1043/5	667	1142
H1043/5	671	1148
H1044/3	493	878
H1044/3	494	879
H1044/3	494	880
H1044/3	495	881
H1044/3	495	882
H1044/3	496	883
H1044/3	496	884
H1044/3	497	885
H1044/3	601	1048
H1044/3	601	1049
H1044/3	602	1050
H1044/3	603	1051
H1044/3	603	1052
H1044/3	604	1053
H1044/3	604	1054
H1044/3	713	1216
H1044/3	714	1217
H1044/3	715	1218
H1044/3	716	1219
H1044/3	716	1220
H1049/5	720	1226
H1049/5	731	1250
H1049/5	733	1252
H1049/5	735	1253
H1049/5	736	1254
H1049/5	738	1255
H1049/5	741	1258


		9
H1049/5	742	1259
H1049/5	743	1260
H1049/5	745	1261
H1049/5	747	1262
H1049/5	749	1263
H1049/5	751	1264
H1049/5	753	1265
H1049/5	755	1266
H1049/5	757	1268
H1049/5	759	1269
H1049/5	760	1270
H1049/5	762	1271
H1049/5	764	1272
H1049/5	766	1275
H1049/5	767	1276
H1049/5	769	1277
H1049/5	770	1278
H1049/5	772	1279
H1049/5	773	1280
H1049/5	774	1281
H1049/5	776	1282
H1049/5	778	1283
H1049/5	781	1286
H1049/5	783	1288
H1049/5	785	1289
H1049/5	786	1290
H1049/5	788	1291
H1049/5	790	1293
H1049/5	792	1294
H1049/5	794	1295
H1049/5	796	1296
H1049/5	797	1297
H1049/5	799	1299
H1049/5	800	1300
H1049/5	803	1303
H1049/5	804	1305
H1049/5	806	1306
H1049/5	807	1307
H1049/5	809	1308
H1049/5	811	1309
H1049/5	812	1310
H1049/5	814	1311
H1049/5	816	1312
H1049/5	817	1313
H1049/5	819	1314
H1049/5	822	1318
H1049/5	824	1319
H1049/5	826	1320
H1057/5	436	764
H1057/5	560	991
H1057/5	561	992
H1057/5	585	1022
H1057/5	586	1023
H1057/5	587	1024
H1057/5	588	1025
H1057/5	589	1026
H1057/5	590	1028
H1057/5	591	1029
H1057/5	674	1154
H1057/5	676	1158


NUMERICAL PARTS LIST

Numerische Teilenummernliste • Elenco riferimenti
Liste des références produits

 9		
H1057/5	677	1159
H1057/5	677	1160
H1057/5	678	1161
H1057/5	678	1162
H1057/5	679	1163
H1057/5	680	1164
H1057/5	680	1165
H1057/5	681	1166
H1057/5	682	1167
H1057/5	683	1168
H1057/5	683	1169
H1057/5	684	1170
H1057/5	685	1171
H1057/5	687	1175
H1057/5	687	1176
H1057/5	688	1177
H1057/5	689	1178
H1057/5	690	1179
H1057/5	691	1180
H1067/5	427	750
H1067/5	447	785
H1067/5	447	786
H1067/5	448	787
H1067/5	449	790
H1067/5	450	791
H1067/5	451	793
H1067/5	451	794
H1067/5	452	795
H1069/5	472	840
H1069/5	473	841
H1069/5	474	844
H1069/5	475	845
H1069/5	476	846
H1069/5	477	847
H1069/5	477	848
H1069/5	477	849
H1069/5	491	874
H1069/5	491	875
H1069/5	695	1185
H1069/5	698	1189
H1071/5	471	837
H1074/5	585	1021
H1075/5	484	862
H1075/5	509	907
H1075/5	510	908
H1075/5	510	909
H1075/5	511	910
H1075/5	512	911
H1075/5	513	912
H1075/5	514	913
H1075/5	514	914
H1075/5	515	915
H1075/5	516	916
H1075/5	701	1195
H1075/5	702	1198
H1075/5	703	1199
H1075/5	703	1200
H1075/5	704	1201
H1075/5	705	1202
H1075/5	705	1203

 9		
H1075/5	706	1204
H1075/5	707	1205
H1075/5	707	1206
H1075/5	708	1207
H1075/5	708	1208
H1075/5	709	1209
H1075/5	710	1210
H1075/5	710	1211
H1075/5	711	1212
H1075/5	711	1213
H1075/5	712	1214
H1075/5	713	1215
H1081/3	717	1221
H1082/4	507	901
H1082/4	507	902
H1082/4	507	903
H1082/4	725	1237
H1082/4	726	1238
H1082/4	726	1239
H1082/4	727	1240
H1082/4	727	1241
H1082/4	728	1242
H1082/4	728	1243
H1082/4	828	1322
H1082/4	829	1323
H1082/4	829	1324
H1082/4	830	1325
H1082/4	830	1326
H1082/4	831	1327
H1082/4	831	1328
H1084/5	480	853
H1084/5	564	996
H1084/5	565	997
H1084/5	566	998
H1084/5	567	999
H1084/5	568	1000
H1084/5	570	1002
H1084/5	571	1003
H1084/5	572	1004
H1084/5	573	1005
H1084/5	573	1006
H1084/5	574	1007
H1084/5	578	1010
H1084/5	579	1011
H1084/5	580	1012
H1084/5	581	1013
H1084/5	582	1014
H1084/5	583	1015
H1084/5	616	1070
H1084/5	617	1071
H1084/5	617	1073
H1084/5	622	1081
H1084/5	643	1114
H1084/5	644	1115
H1084/5	647	1118
H1084/5	647	1119
H1084/5	648	1120
H1084/5	648	1121
H1084/5	650	1124
H1084/5	651	1125

 9		
H1084/5	652	1126
H1084/5	654	1129
H1084/5	655	1130
H1084/5	656	1131
H1084/5	657	1132
H1084/5	665	1140
H1084/5	666	1141
H1084/5	668	1143
H1084/5	669	1144
H1084/5	669	1145
H1084/5	670	1146
H1084/5	670	1147
H1084/5	672	1150
H1084/5	673	1152
H1089/5	765	1273
H1089/5	827	1321
H1091/5	427	750
H1091/5	447	785
H1091/5	447	786
H1091/5	448	787
H1091/5	449	790
H1091/5	450	791
H1091/5	451	793
H1091/5	451	794
H1091/5	452	795
H1092/5	449	789
H1092/5	453	797
H1092/5	453	798
H1092/5	454	799
H1092/5	454	800
H1092/5	455	801
H1092/5	455	802
H1092/5	456	803
H1092/5	456	804
H1092/5	457	805
H1092/5	458	807
H1092/5	458	808
H1092/5	459	809
H1092/5	460	810
H1092/5	460	811
H1092/5	461	813
H1092/5	462	815
H1092/5	463	816
H1092/5	463	817
H1092/5	464	818
H1092/5	464	819
H1092/5	465	821
H1092/5	466	825
H1092/5	467	828
H1092/5	467	829
H1094/5	486	867
H1094/5	720	1226
H1094/5	731	1250
H1094/5	733	1252
H1094/5	735	1253
H1094/5	736	1254
H1094/5	738	1255
H1094/5	741	1258
H1094/5	742	1259
H1094/5	743	1260

 9		
H1094/5	745	1261
H1094/5	747	1262
H1094/5	749	1263
H1094/5	751	1264
H1094/5	753	1265
H1094/5	755	1266
H1094/5	757	1268
H1094/5	759	1269
H1094/5	760	1270
H1094/5	762	1271
H1094/5	764	1272
H1094/5	766	1275
H1094/5	767	1276
H1094/5	769	1277
H1094/5	772	1279
H1094/5	773	1280
H1094/5	774	1281
H1094/5	778	1283
H1094/5	781	1286
H1094/5	783	1288
H1094/5	785	1289
H1094/5	786	1290
H1094/5	788	1291
H1094/5	790	1293
H1094/5	792	1294
H1094/5	794	1295
H1094/5	796	1296
H1094/5	797	1297
H1094/5	799	1299
H1094/5	800	1300
H1094/5	803	1303
H1094/5	804	1305
H1094/5	806	1306
H1094/5	807	1307
H1094/5	809	1308
H1094/5	811	1309
H1094/5	812	1310
H1094/5	814	1311
H1094/5	816	1312
H1094/5	817	1313
H1094/5	819	1314
H1094/5	822	1318
H1094/5	824	1319
H1094/5	826	1320
H1095/5	527	937
H1095/5	528	938
H1095/5	529	939
H1095/5	529	940
H1095/5	530	941
H1095/5	531	942
H1095/5	532	944
H1095/5	533	945
H1095/5	536	950
H1095/5	538	953
H1095/5	538	954
H1095/5	542	960
H1095/5	543	962
H1095/5	543	964
H1095/6	544	965
H1095/6	545	966

		9	
H1095/6	545	967	
H1095/6	546	968	
H1095/6	547	970	
H1095/6	547	971	
H1095/6	548	972	
H1095/6	549	973	
H1095/6	550	974	
H1095/6	550	975	
H1095/6	551	976	
H1095/6	552	977	
H1095/6	559	990	
H1095/6	600	1045	
H1096/5	518	923	
H1096/5	519	924	
H1096/5	519	925	
H1096/5	520	926	
H1096/5	521	927	
H1096/5	522	928	
H1096/5	523	929	
H1096/5	523	930	
H1096/5	524	931	
H1096/5	525	932	
H1096/5	525	933	
H1096/5	526	934	
H1096/5	527	936	
H1096/5	531	943	
H1096/5	536	951	
H1096/5	596	1038	
H1096/5	597	1039	
H1096/5	598	1040	
H1096/5	598	1041	
H1096/5	618	1074	
H1096/5	698	1190	
H1096/5	698	1191	
H1096/5	699	1192	
H1096/5	700	1193	
H1096/5	700	1194	
H1096/5	701	1196	
H1096/5	702	1197	
H1104/5	770	1278	
H1104/5	776	1282	
H1104/5	778	1283	
H1104/5	788	1291	
H1104/5	790	1293	
H1104/5	792	1294	
H1104/5	802	1302	
H1104/5	821	1316	
H1104/5	832	1329	
H1104/5	833	1331	
H1104/5	834	1332	
H1104/5	836	1334	
H1104/5	837	1335	
H1104/5	838	1336	
H1104/5	839	1338	
H1104/5	840	1339	
H1104/5	841	1340	
H1104/5	841	1341	
H1104/5	842	1342	
H1104/5	843	1343	
H1104/5	844	1344	


		9	
H1104/5	845	1345	
H1138/3	485	863	
H1178/3	438	767	
H1178/3	438	768	
H1240/5	629	1094	
H1240/5	718	1224	
H1240/5	719	1225	
H1241/5	629	1094	
H1241/5	630	1095	
H1241/5	718	1224	
H1241/5	719	1225	
H1293/5	485	864	
H1293/5	486	865	
H1293/5	486	867	
H1293/5	487	869	
H1293/5	584	1019	
H1331/5	483	858	
HA5005	88	180	
HA5005	89	181	
HA5005	316	549	
HA5005	316	550	
HA5005	317	551	
HA5005	317	552	
HA5005	318	553	
HA5005	318	554	
HA5008	172	294	
HA5030	47	86	
HA5031	47	86	
HA5053	23	45	
HA5053	23	46	
HA5053	36	62	
HA5053	39	66	
HA5053	39	67	
HA5053	42	74	
HA5053	43	76	
HBS011	174	298	
HBS011	227	380	
HBS011	227	381	
HBS011	305	530	
HBS011	307	533	
HBS011	310	538	
HBS011	311	539	
HBS011	345	612	
HBS011	347	614	
HBS011	348	615	
HBS011	348	616	
HBS011	349	617	
HBS011	351	619	
HBS011	352	620	
HBS011	354	622	
HBS011	355	624	
HBS011	356	625	
HBS011	357	626	
HBS011	358	628	
HBS011	359	630	
HBS011	359	631	
HBS011	361	633	
HBS011	362	634	
HBS011	363	635	
HBS011	363	636	


		9	
HBS011	364	637	
HBS011	367	641	
HBS011	372	650	
HBS011	373	652	
HBS011	374	653	
HBS011	376	658	
HBS011	378	660	
HBS011	380	663	
HBS011	381	666	
HBS011	382	667	
HBS011	383	668	
HBS011	384	670	
HBS011	385	672	
HBS011	386	674	
HBS011	387	675	
HBS011	388	676	
HBS011	389	677	
HBS011	390	679	
HBS011	391	680	
HBS011	392	681	
HBS011	393	682	
HBS011	394	683	
HBS011	394	684	
HBS011	406	711	
HBS011	410	717	
HBS011	411	720	
HBS011	413	724	
HBS011	415	727	
HBS011	416	730	
HBS011	417	732	
HBS033	238	403	
HBS038	330	574	
HBS038	330	575	
HBS038	331	576	
HBS039	46	85	
HBS051	62	121	
HBS051	62	122	
HBS051	63	123	
HBS051	64	124	
HBS051	67	129	
HBS051	81	166	
HBS051	81	167	
HBS051	82	168	
HBS051	82	169	
HBS051	83	171	
HBS051	84	172	
HBS051	85	173	
HBS051	85	174	
HBS051	86	175	
HBS051	86	176	
HBS051	87	177	
HBS051	87	178	
HBS051	227	380	
HBS051	227	381	
HBS051	229	386	
HBS051	231	390	
HBS051	231	391	
HBS051	298	519	
HBS051	298	520	
HBS051	300	522	


		9	
HBS051	301	523	
HBS051	302	526	
HBS051	303	527	
HBS051	303	528	
HBS051	304	529	
HBS051	307	533	
HBS051	308	534	
HBS051	309	535	
HBS051	311	540	
HBS051	312	541	
HBS051	312	542	
HBS051	313	543	
HBS051	314	545	
HBS051	314	546	
HBS051	315	547	
HBS051	321	558	
HBS051	322	559	
HBS051	324	561	
HBS051	325	562	
HBS052	2	2	
HBS052	3	3	
HBS052	15	35	
HBS052	16	36	
HBS052	17	37	
HBS052	18	38	
HBS052	19	39	
HBS052	20	40	
HBS052	21	41	
HBS052	22	43	
HBS052	22	44	
HBS052	23	45	
HBS052	23	46	
HBS052	24	47	
HBS052	25	48	
HBS052	26	49	
HBS052	27	50	
HBS052	29	53	
HBS052	29	54	
HBS052	30	55	
HBS052	30	56	
HBS052	32	58	
HBS052	33	59	
HBS052	36	62	
HBS052	37	63	
HBS052	38	64	
HBS052	42	74	
HBS052	43	76	
HBS052	52	97	
HBS052	66	128	
HBS052	306	532	
HBS055	89	182	
HBS084	172	294	
HBS084	201	333	
HBS084	202	334	
HBS084	204	339	
HBS084	294	510	
HBS084	295	513	
HBS084	296	514	
HBS087	294	511	
HBS087	295	512	


NUMERICAL PARTS LIST


Numerische Teilenummernliste • Elenco riferimenti
Liste des références produits


 9		
HBS092	228	382
HBS092	228	383
HBS092	230	387
HBS092	232	392
HBS092	234	398
HBS092	235	399
HBS092	237	402
HBS092	238	403
HBS092	239	404
HBS092	240	406
HBS092	241	408
HBS092	241	409
HBS092	242	410
HBS092	250	434
HBS092	251	435
HBS092	251	436
HBS092	252	437
HBS092	253	438
HBS092	259	449
HBS092	260	450
HBS092	262	453
HBS092	264	455
HBS092	265	456
HBS092	266	457
HBS092	267	458
HBS092	267	459
HBS092	270	464
HBS092	273	469
HBS092	274	470
HBS092	274	471
HBS092	275	472
HBS092	275	473
HBS092	280	480
HBS092	321	558
HBS092	322	559
HBS092	323	560
HBS093	236	400
HBS093	254	439
HBS093	254	440
HBS093	255	441
HBS093	255	442
HBS093	256	443
HBS093	256	444
HBS093	260	451
HBS093	261	452
HBS093	268	460
HBS093	268	461
HBS093	271	465
HBS093	272	467
HBS093	273	468
HBS093	276	474
HBS093	277	475
HBS093	278	476
HBS093	279	478
HBS093	281	482
HBS095	56	106
HBS095	172	295
HBS095	173	296
HBS095	173	297
HBS095	174	298


 9		
HBS095	174	299
HBS095	175	300
HBS095	176	301
HBS095	177	302
HBS095	178	303
HBS095	179	304
HBS095	179	305
HBS095	180	306
HBS095	181	307
HBS095	181	308
HBS095	183	311
HBS095	184	312
HBS095	185	313
HBS095	186	314
HBS095	187	315
HBS095	188	316
HBS095	188	317
HBS095	189	318
HBS095	190	319
HBS095	191	320
HBS095	192	321
HBS095	193	322
HBS095	194	323
HBS095	195	324
HBS095	196	325
HBS095	197	326
HBS097	182	310
HBS098	65	125
HBS098	65	126
HBS098	66	127
HBS105	331	578
HBS105	332	579
HBS105	342	606
HBS105	342	607
HBS105	343	608
HBS105	343	609
HBS105	344	610
HBS105	344	611
HBS106	341	604
HBS107	341	605
HBS108	343	608
HBS108	344	611
HBS125	288	499
HBS125	289	500
HBS130	90	184
HBS130	91	185
HBS130	91	186
HBS131	88	180
HBS131	89	181
HBS131	315	548
HBS131	316	549
HBS131	316	550
HBS131	317	551
HBS131	317	552
HBS131	318	553
HBS131	318	554
HBS131	319	555
HBS131	319	556
HBS131	320	557
HBS132	93	189


 9		
HBS132	95	192
HBS132	96	193
HBS132	97	194
HBS132	98	195
HBS132	99	196
HBS132	100	197
HBS132	101	198
HBS132	102	199
HBS132	103	200
HBS132	104	201
HBS132	104	202
HBS132	105	203
HBS132	107	205
HBS132	108	206
HBS132	206	344
HBS132	208	346
HBS132	209	348
HBS132	210	349
HBS132	211	350
HBS133	146	258
HBS133	147	259
HBS133	148	260
HBS133	149	261
HBS133	150	262
HBS133	151	263
HBS133	151	264
HBS133	152	265
HBS133	153	266
HBS133	154	267
HBS133	155	268
HBS133	213	354
HBS133	214	355
HBS133	216	357
HBS186	57	108
HBS186	74	153
HBS186	75	156
HBS186	76	157
HBS186	76	158
HBS227	109	208
HBS227	110	209
HBS227	111	210
HBS227	112	211
HBS227	113	212
HBS227	114	213
HBS227	115	214
HBS227	115	215
HBS227	116	216
HBS227	117	217
HBS227	118	218
HBS227	119	219
HBS227	120	220
HBS227	121	221
HBS227	122	222
HBS227	124	225
HBS227	125	226
HBS227	125	227
HBS227	126	228
HBS227	126	229
HBS227	127	230
HBS227	128	231

 9		
HBS227	128	232
HBS227	129	233
HBS227	130	235
HBS227	131	236
HBS227	132	237
HBS227	135	243
HBS227	135	244
HBS227	136	246
HBS227	137	247
HBS227	139	250
HBS227	141	253
HBS227	142	254
HBS227	143	255
HBS227	144	256
HBS227	145	257
HBS245	172	294
HBS245	293	509
HBS247	28	51
HBS247	28	52
HBS247	31	57
HBS247	34	60
HBS247	35	61
HBS247	38	65
HBS247	39	66
HBS247	39	67
HBS247	40	68
HBS247	40	69
HBS247	41	70
HBS247	41	72
HBS247	42	73
HBS247	42	75
HBS247	44	77
HBS247	44	78
HBS247	45	79
HBS247	45	81
HBS247	45	82
HBS251	332	580
HBS251	333	581
HBS251	333	582
HBS251	334	583
HBS251	334	585
HBS251	335	586
HBS251	336	588
HBS251	336	589
HBS251	337	591
HBS251	350	618
HBS255	406	711
HBS255	414	726
HBS255	416	731
HBS255	417	733
HBS255	419	736
HBS255	420	737
HBS257	156	269
HBS257	157	270
HBS257	158	271
HBS257	159	272
HBS257	160	273
HBS257	161	274
HBS257	162	275
HBS257	163	276

			9
HBS257	164	277	
HBS257	169	289	
HBS257	170	290	
HBS257	171	291	
HBS259	282	485	
HBS259	282	486	
HBS259	283	487	
HBS260	199	330	
HBS261	283	489	
HBS261	284	490	
HBS261	284	492	
HBS261	285	493	
HBS261	285	494	
HBS261	286	495	
HBS261	286	496	
HBS261	287	497	
HBS261	288	498	
HBS261	291	504	
HBS261	291	505	
HBS262	92	187	
HBS262	94	190	
HBS262	95	191	
HBS262	106	204	
HBS272	329	570	
HBS272	329	572	
HBS272	395	687	
HBS277	200	331	
HBS277	200	332	
HBS277	202	335	
HBS277	203	336	
HBS279	5	8	
HBS279	5	9	
HBS279	47	88	
HBS297	2	1	
HBS297	4	5	
HBS297	4	6	
HBS297	6	10	
HBS297	6	11	
HBS297	7	13	
HBS297	7	14	
HBS297	8	15	
HBS353	10	22	
HBS353	11	24	
HBS353	11	25	
HBS353	12	26	
HBS353	12	27	
HBS353	13	28	
HBS353	13	29	
HBS353	14	30	
HBS353	14	31	
HBS353	14	32	
HBS353	15	33	
HBS359	47	86	
HBS370	123	223	
HBS370	124	224	
HBS370	132	238	
HBS370	133	239	
HBS370	133	240	
HBS370	134	241	
HBS370	134	242	


			9
HBS370	136	245	
HBS370	138	248	
HBS370	139	249	
HBS370	140	251	
HBS370	140	252	
HBS371	164	278	
HBS371	165	279	
HBS371	165	281	
HBS371	166	282	
HBS371	166	283	
HBS371	167	285	
HBS371	167	286	
HBS371	168	287	
HBS371	168	288	
HBS416	297	517	
HBS464	422	743	
HBS465	138	248	
HBS465	139	249	
HBS465	140	251	
HBS465	140	252	
HBS497	58	111	
HBS535	281	484	
HC027	428	752	
HC027	429	753	
HC027	432	758	
HC027	433	760	
HC027	433	761	
HC027	434	762	
HC027	439	770	
HC027	471	839	
HL700	92	187	
HL700	94	190	
HL700	95	192	
HL700	96	193	
HL700	105	203	
HL700	107	205	
HL700	108	206	
HL700	207	345	
HL700	208	346	
HL700	210	349	
HL700	212	351	
HL701	97	194	
HL701	98	195	
HL701	99	196	
HL701	100	197	
HL701	101	198	
HL701	102	199	
HL701	103	200	
HL701	104	201	
HL701	104	202	
HM5289	283	489	
HM5289	284	490	
HM5289	284	492	
HM5289	285	493	
HM5369	290	503	
HR300	248	432	
HR300	292	507	
HR363	71	140	
HR363	81	166	
HR363	81	167	


			9
HR363	82	168	
HR363	82	169	
HR363	84	172	
HR363	85	173	
HR363	85	174	
HR363	86	175	
HR363	86	176	
HR363	87	177	
HR363	109	208	
HR363	110	209	
HR363	111	210	
HR363	112	211	
HR363	113	212	
HR363	114	213	
HR363	115	214	
HR363	116	216	
HR363	117	217	
HR363	118	218	
HR363	119	219	
HR363	120	220	
HR363	121	221	
HR363	122	222	
HR363	125	226	
HR363	125	227	
HR363	126	228	
HR363	126	229	
HR363	127	230	
HR363	128	231	
HR363	128	232	
HR363	129	233	
HR363	130	235	
HR363	131	236	
HR363	132	237	
HR363	135	243	
HR363	135	244	
HR363	136	246	
HR363	137	247	
HR363	139	250	
HR363	141	253	
HR363	142	254	
HR363	143	255	
HR363	144	256	
HR363	145	257	
HR363	156	269	
HR363	157	270	
HR363	158	271	
HR363	159	272	
HR363	160	273	
HR363	161	274	
HR363	162	275	
HR363	163	276	
HR363	164	277	
HR363	170	290	
HR363	179	305	
HR363	181	309	
HR363	189	318	
HR363	190	319	
HR363	197	326	
HR363	213	353	
HR363	216	358	


			9
HR363	217	359	
HR363	222	369	
HR363	222	370	
HR363	223	372	
HR363	226	379	
HR363	227	380	
HR363	227	381	
HR363	231	390	
HR363	232	393	
HR363	234	398	
HR363	235	399	
HR363	237	402	
HR363	238	403	
HR363	240	406	
HR363	241	409	
HR363	243	412	
HR363	244	417	
HR363	245	422	
HR363	251	436	
HR363	255	441	
HR363	262	453	
HR363	264	455	
HR363	266	457	
HR363	270	464	
HR363	273	469	
HR363	280	480	
HR363	280	481	
HR363	301	524	
HR363	312	541	
HR363	312	542	
HR363	313	543	
HR363	314	545	
HR363	315	547	
HR363	321	558	
HR363	324	561	
HR363	325	562	
HR363	325	563	
HR363	326	564	
HR363	326	565	
HR397	441	773	
HR397	442	775	
HR397	442	776	
HR397	443	777	
HR397	443	778	
HR397	444	779	
HR397	444	780	
HR397	445	781	
HR397	446	782	
HR397	446	783	
HR397	446	784	
HR397	447	785	
HR397	447	786	
HR397	448	787	
HR397	449	789	
HR397	449	790	
HR397	451	793	
HR397	452	795	
HR397	453	797	
HR397	453	798	
HR397	454	799	


NUMERICAL PARTS LIST


Numerische Teilenummernliste • Elenco riferimenti
Liste des références produits


 9		
HR397	454	800
HR397	455	801
HR397	455	802
HR397	456	803
HR397	456	804
HR397	457	805
HR397	458	807
HR397	458	808
HR397	459	809
HR397	460	810
HR397	460	811
HR397	461	813
HR397	462	815
HR397	463	816
HR397	463	817
HR397	464	818
HR397	464	819
HR397	465	821
HR397	465	822
HR397	466	824
HR397	466	825
HR397	471	838
HR397	492	876
HR397	516	916
HR397	516	917
HR397	517	918
HR397	518	923
HR397	519	924
HR397	520	926
HR397	521	927
HR397	522	928
HR397	523	929
HR397	523	930
HR397	524	931
HR397	525	932
HR397	525	933
HR397	527	936
HR397	527	937
HR397	528	938
HR397	529	939
HR397	530	941
HR397	531	942
HR397	531	943
HR397	532	944
HR397	533	945
HR397	534	946
HR397	534	947
HR397	535	948
HR397	535	949
HR397	536	950
HR397	536	951
HR397	537	952
HR397	538	953
HR397	538	954
HR397	539	955
HR397	540	956
HR397	541	957
HR397	541	958
HR397	541	959
HR397	542	960


 9		
HR397	542	961
HR397	543	962
HR397	543	963
HR397	543	964
HR397	544	965
HR397	545	966
HR397	545	967
HR397	546	968
HR397	547	969
HR397	547	970
HR397	547	971
HR397	548	972
HR397	549	973
HR397	550	974
HR397	550	975
HR397	551	976
HR397	552	977
HR397	553	978
HR397	554	979
HR397	554	980
HR397	555	981
HR397	555	982
HR397	556	983
HR397	556	984
HR397	557	985
HR397	557	986
HR397	558	987
HR397	558	988
HR397	559	989
HR397	559	990
HR397	592	1030
HR397	593	1032
HR397	594	1034
HR397	595	1035
HR397	595	1036
HR397	596	1037
HR397	596	1038
HR397	597	1039
HR397	598	1040
HR397	599	1042
HR397	599	1043
HR397	599	1044
HR397	600	1045
HR397	673	1151
HR397	674	1153
HR397	674	1154
HR397	675	1155
HR397	676	1156
HR397	676	1157
HR397	676	1158
HR397	677	1160
HR397	678	1161
HR397	678	1162
HR397	679	1163
HR397	680	1164
HR397	680	1165
HR397	683	1168
HR397	683	1169
HR397	684	1170
HR397	686	1174


 9		
HR397	688	1177
HR397	689	1178
HR397	692	1182
HR397	707	1205
HR397	707	1206
HR397	708	1207
HR397	709	1209
HR397	717	1222
HR397	718	1223
HR397	728	1243
HR569	53	98
HR569	61	120
HR569	72	143
HR569	72	144
HR569	73	150
HR569	74	151
HR569	83	170
HR569	85	174
HR569	172	294
HR569	182	310
HR569	200	331
HR569	201	333
HR569	202	334
HR569	203	336
HR569	204	339
HR569	223	371
HR569	247	428
HR569	251	435
HR569	252	437
HR569	253	438
HR569	254	440
HR569	292	506
HR569	292	507
HR569	314	546
HR569	325	562
HR569	331	576
HR596	49	92
HR596	50	94
HR596	51	95
HR596	52	96
HR596	53	98
HR596	55	103
HR596	56	106
HR596	60	118
HR596	61	119
HR596	62	121
HR596	62	122
HR596	63	123
HR596	64	124
HR596	65	125
HR596	65	126
HR596	66	127
HR596	83	171
HR596	173	296
HR596	173	297
HR596	174	298
HR596	174	299
HR596	175	300
HR596	176	301
HR596	177	302

 9		
HR596	178	303
HR596	179	304
HR596	180	306
HR596	181	307
HR596	181	308
HR596	185	313
HR596	191	320
HR596	192	321
HR596	193	322
HR596	196	325
HR596	198	328
HR596	224	375
HR596	228	384
HR596	233	396
HR596	250	434
HR596	279	479
HR596	298	520
HR596	299	521
HR596	300	522
HR596	301	523
HR596	302	526
HR596	303	527
HR596	303	528
HR596	304	529
HR596	305	530
HR596	306	532
HR596	307	533
HR596	310	538
HR596	311	539
HR599	2	1
HR599	2	2
HR599	3	3
HR599	3	4
HR599	4	5
HR599	4	6
HR599	5	7
HR599	5	8
HR599	5	9
HR599	6	10
HR599	6	11
HR599	7	12
HR599	7	13
HR599	7	14
HR599	8	15
HR599	9	20
HR599	15	35
HR599	16	36
HR599	17	37
HR599	18	38
HR599	19	39
HR599	20	40
HR599	21	41
HR599	21	42
HR599	22	43
HR599	22	44
HR599	24	47
HR599	25	48
HR599	26	49
HR599	27	50
HR599	29	53

		9
HR599	29	54
HR599	30	55
HR599	30	56
HR599	33	59
HR599	37	63
HR599	38	64
HR599	47	87
HR599	47	88
HR599	52	97
HR599	66	128
HR599	92	187
HR599	93	189
HR599	94	190
HR599	95	191
HR599	95	192
HR599	96	193
HR599	98	195
HR599	99	196
HR599	103	200
HR599	104	201
HR599	104	202
HR599	105	203
HR599	106	204
HR599	107	205
HR599	108	206
HR599	207	345
HR599	208	346
HR599	208	347
HR599	209	348
HR599	210	349
HR599	211	350
HR599	212	351
HR599	236	400
HR599	254	439
HR599	255	442
HR599	256	443
HR599	256	444
HR599	260	451
HR599	261	452
HR599	268	460
HR599	268	461
HR599	271	465
HR599	272	466
HR599	272	467
HR599	273	468
HR599	276	474
HR599	277	475
HR599	281	482
HR599	316	550
HR599	318	554
HR599	319	555
HR599	319	556
HR599	320	557
HR599	385	673
HR602	67	131
HR602	69	136
HR602	69	137
HR602	70	138
HR602	71	140
HR602	215	356


		9
HR602	345	612
HR602	347	614
HR602	348	615
HR602	348	616
HR602	349	617
HR602	350	618
HR602	351	619
HR602	352	620
HR602	353	621
HR602	355	624
HR602	356	625
HR602	357	626
HR602	359	630
HR602	361	633
HR602	362	634
HR602	363	635
HR602	364	637
HR602	367	641
HR602	373	652
HR602	374	653
HR602	376	658
HR602	378	660
HR602	380	663
HR602	381	666
HR602	385	672
HR602	386	674
HR602	387	675
HR602	388	676
HR602	389	677
HR602	390	679
HR602	394	684
HR602	406	711
HR602	410	717
HR602	411	720
HR602	413	724
HR602	414	726
HR602	415	727
HR602	416	730
HR602	416	731
HR602	417	732
HR602	417	733
HR602	418	734
HR602	419	736
HR602	420	737
HR646	212	352
HR662	90	184
HR662	91	185
HR662	91	186
HR662	358	628
HR662	395	686
HR662	395	687
HR662	404	706
HR662	404	707
HR662	404	708
HR662	405	709
HR782	359	630
HR791	12	27
HR791	13	28
HR791	13	29
HR791	14	31


		9
HR791	14	32
HR791	15	33
HR800	32	58
HR800	88	180
HR800	89	181
HR800	97	194
HR800	100	197
HR800	101	198
HR800	102	199
HR800	146	258
HR800	147	259
HR800	148	260
HR800	149	261
HR800	150	262
HR800	151	263
HR800	151	264
HR800	152	265
HR800	153	266
HR800	154	267
HR800	213	354
HR800	214	355
HR800	278	476
HR800	315	548
HR800	316	549
HR800	317	551
HR800	317	552
HR800	318	553
HR800	328	568
HR800	328	569
HR800	401	700
HR801	388	676
HR805	53	99
HR805	288	499
HR814	28	51
HR814	28	52
HR814	31	57
HR814	34	60
HR814	35	61
HR814	40	68
HR814	40	69
HR814	41	70
HR814	41	72
HR814	42	73
HR814	42	75
HR814	44	77
HR814	44	78
HR814	45	79
HR814	45	81
HR815	77	159
HR815	78	160
HR815	397	691
HR816	216	357
HR5046	283	489
HR5046	284	490
HR5046	285	493
HR5046	285	494
HR5046	286	495
HR5046	291	505
HR5062	329	570
HR5062	329	572


		9
HR5064	284	490
HR5064	287	497
HR5082	297	516
HR5088	10	22
HR5088	11	25
HR5088	12	26
HR5088	14	30
HR5095	123	223
HR5095	124	224
HR5095	132	238
HR5095	133	239
HR5095	133	240
HR5095	134	241
HR5095	134	242
HR5095	136	245
HR5095	138	248
HR5095	139	249
HR5095	140	251
HR5095	140	252
JA752	10	21
JA752	46	83
JA752	54	102
JA752	55	103
JA755	10	21
JA757	73	149
JA757	223	372
JA757	223	373
JA757	224	374
JA757	225	376
JA757	225	377
JA757	226	378
JA757	226	379
JA757	227	380
JA757	227	381
JA757	231	390
JA757	233	396
JA757	235	399
JA757	237	402
JA757	239	405
JA757	240	406
JA757	240	407
JA757	242	410
JA757	250	434
JA757	251	436
JA757	252	437
JA757	253	438
JA757	259	448
JA757	262	453
JA757	266	457
JA757	270	464
JA757	273	469
JA757	312	541
JA757	314	546
JA777	73	149
JA777	223	372
JA777	223	373
JA777	224	374
JA777	225	376
JA777	226	378
JA777	226	379


NUMERICAL PARTS LIST


Numerische Teilenummernliste • Elenco riferimenti
Liste des références produits


 9		
JA777	233	396
JA829	46	84
JA829	56	107
JA829	57	110
JA829	58	112
JA829	71	142
JA829	74	152
JA829	75	154
JA829	75	155
JA829	76	157
JA829	76	158
JA829	243	414
JA829	244	415
JA829	244	416
JA829	244	418
JA829	244	419
JA829	245	420
JA829	245	421
JA829	246	424
JA829	246	425
JA829	342	606
JA840	56	107
JA840	57	110
JA840	58	112
JA840	71	142
JA840	74	152
JA840	75	154
JA840	75	155
JA840	243	414
JA840	244	419
JA840	245	420
JA840	246	424
JA840	246	425
JA840	246	426
JA840	342	606
JA899	67	130
JA899	67	131
JA899	68	132
JA899	69	136
JA899	69	137
JA899	70	138
JA899	71	140
JA899	217	360
JA899	218	361
JA899	219	363
JA899	219	364
JA899	221	367
JA899	222	369
JA899	222	370
JA899	232	393
JA899	325	563
JA899	326	564
JA899	326	565
JA899	327	567
JA5005	34	60
JA5005	35	61
JA5006	34	60
JA5006	35	61
JA5006	38	65
JA5006	39	66


 9		
JA5006	39	67
JA5006	44	77
JA5007	97	194
JA5007	103	200
JA5007	104	201
JA5007	104	202
JA5008	117	217
JA5010	20	40
JA5010	32	58
JA5010	33	59
JA5010	37	63
JA5010	38	64
JA5011	117	217
JA5011	127	230
JA5035	111	210
JA5035	112	211
JA5035	113	212
JA5035	114	213
JA5035	115	214
JA5035	115	215
JA5035	116	216
JA5035	118	218
JA5035	119	219
JA5035	120	220
JA5035	121	221
JA5035	122	222
JA5035	128	231
JA5035	128	232
JA5035	129	233
JA5035	130	235
JA5035	131	236
JA5035	132	237
JA5035	135	243
JA5035	135	244
JA5035	141	253
JA5035	142	254
JA5035	143	255
JA5035	144	256
JA5036	157	270
JA5036	159	272
JA5036	160	273
JA5036	161	274
JA5036	162	275
JA5036	163	276
JA5036	164	277
JA5036	169	289
JA5036	170	290
JB841	330	575
JB841	331	576
JB851	330	574
JC054	345	612
JC054	347	614
JC054	348	615
JC054	348	616
JC054	349	617
JC054	351	619
JC054	352	620
JC054	353	621
JC054	354	622
JC054	354	623


 9		
JC054	355	624
JC054	356	625
JC054	357	626
JC054	358	628
JC054	358	629
JC054	359	630
JC054	360	632
JC054	361	633
JC054	362	634
JC054	363	635
JC054	363	636
JC054	364	637
JC054	364	638
JC054	366	640
JC054	367	641
JC054	368	642
JC054	368	643
JC054	369	645
JC054	370	647
JC054	372	650
JC054	372	651
JC054	373	652
JC054	374	653
JC054	374	654
JC054	375	655
JC054	376	658
JC054	377	659
JC054	378	660
JC054	379	661
JC054	379	662
JC054	380	663
JC054	380	664
JC054	381	665
JC054	381	666
JC054	382	667
JC054	383	668
JC054	384	670
JC054	384	671
JC054	385	672
JC054	385	673
JC054	386	674
JC054	387	675
JC054	388	676
JC054	389	677
JC054	389	678
JC054	390	679
JC054	391	680
JC054	393	682
JC054	394	683
JC054	394	684
JC054	405	710
JC054	406	711
JC054	409	715
JC054	410	717
JC054	411	720
JC054	413	724
JC054	414	725
JC054	415	727
JC054	416	730
JC054	416	731

 9		
JC054	417	732
JC054	417	733
JC054	418	734
JC054	419	736
JC054	420	737
JC055	345	612
JC055	347	614
JC055	349	617
JC055	351	619
JC055	352	620
JC055	353	621
JC055	354	622
JC055	355	624
JC055	357	626
JC055	358	628
JC055	359	630
JC055	359	631
JC055	361	633
JC055	362	634
JC055	363	635
JC055	363	636
JC055	364	637
JC055	364	638
JC055	367	641
JC055	368	642
JC055	368	643
JC055	369	645
JC055	370	647
JC055	372	650
JC055	372	651
JC055	373	652
JC055	374	653
JC055	374	654
JC055	375	656
JC055	376	658
JC055	378	660
JC055	379	661
JC055	379	662
JC055	380	663
JC055	381	666
JC055	383	668
JC055	384	670
JC055	384	671
JC055	385	672
JC055	385	672
JC055	386	674
JC055	387	675
JC055	388	676
JC055	388	676
JC055	389	677
JC055	389	678
JC055	386	674
JC055	387	675
JC055	388	676
JC055	389	678
JC055	390	679
JC055	391	680
JC055	391	680
JC055	392	681
JC055	393	682
JC055	394	683
JC055	394	684
JC055	405	710
JC055	406	711
JC055	409	715
JC055	410	717
JC055	411	720
JC055	416	730
JC055	417	732
JC055	417	733
JC055	418	734
JC055	419	736
JC055	420	737

 9		
JC055	411	720
JC055	413	724
JC055	414	725
JC055	414	726
JC055	415	727
JC055	415	728
JC055	416	730
JC055	416	731
JC055	417	732
JC055	417	733
JC055	418	734
JC055	419	736
JC055	420	737
JC287	228	384
JC415	199	330
JC423	200	331
JC423	201	333
JC423	202	334
JC423	203	336
JC423	204	338
JC423	204	339
JC497	56	107
JC497	58	112
JC497	244	415
JC497	342	606
JC660	2	2
JC660	3	3
JC662	231	390
JC662	234	398
JC662	235	399
JC662	237	402
JC662	238	403
JC662	239	404
JC662	241	409
JC662	251	435
JC662	251	436
JC662	252	437
JC662	253	438
JC662	255	441
JC662	262	453
JC662	266	457
JC662	270	464
JC662	273	469
JC662	275	472
JC662	280	480
JC706	357	626
JC723	54	102
JC723	80	164
JC738	173	296
JC738	173	297
JC738	174	298
JC738	174	299
JC738	175	300
JC738	176	301
JC738	177	302
JC738	178	303
JC738	179	304
JC738	179	305
JC738	180	306
JC738	181	307


 9		
JC738	183	311
JC738	184	312
JC738	185	313
JC738	186	314
JC738	187	315
JC738	188	316
JC738	188	317
JC738	189	318
JC738	190	319
JC738	191	320
JC738	192	321
JC738	193	322
JC738	194	323
JC738	195	324
JC738	196	325
JC738	197	326
JC759	200	331
JC759	203	336
JC928	331	578
JC928	332	579
JC928	341	604
JC928	341	605
JC928	342	607
JC928	344	611
JC973	2	1
JC973	3	4
JC973	4	5
JC973	4	6
JC973	5	8
JC973	6	10
JC973	6	11
JC973	7	13
JC973	7	14
JC973	8	15
JC973	9	20
JC973	47	88
JC973	55	103
JC991	203	336
JD013	181	309
JD013	182	310
JD014	328	568
JD014	328	569
JD015	213	353
JD015	216	358
JD015	217	359
JD015	243	412
JD015	245	422
JD015	280	481
JD018	76	157
JD018	76	158
JD018	244	416
JD019	234	398
JD019	238	403
JD019	239	404
JD019	241	409
JD019	251	435
JD019	255	441
JD019	275	472
JD019	280	480
JD021	81	166


 9		
JD021	81	167
JD022	82	168
JD022	82	169
JD022	86	175
JD025	331	578
JD025	332	579
JD025	341	604
JD025	341	605
JD025	342	607
JD067	80	165
JD146	60	118
JD146	61	119
JD146	62	121
JD146	62	122
JD146	63	123
JD146	64	124
JD146	65	125
JD146	65	126
JD146	66	127
JD146	83	171
JD146	84	172
JD146	85	173
JD146	85	174
JD146	86	176
JD146	87	177
JD146	292	506
JD146	298	519
JD146	298	520
JD146	300	522
JD146	301	523
JD146	301	524
JD146	302	526
JD146	303	527
JD146	303	528
JD146	304	529
JD146	305	530
JD146	306	532
JD146	307	533
JD146	310	538
JD146	311	539
JD146	312	541
JD146	312	542
JD146	313	543
JD146	314	545
JD146	315	547
JD146	321	558
JD146	324	561
JD146	325	562
JD148	2	2
JD148	3	3
JD148	15	35
JD148	16	36
JD148	17	37
JD148	18	38
JD148	19	39
JD148	21	41
JD148	22	43
JD148	22	44
JD148	24	47
JD148	66	128


 9		
JD150	25	48
JD150	26	49
JD150	27	50
JD150	29	53
JD150	29	54
JD150	30	55
JD150	30	56
JD151	236	400
JD151	254	439
JD151	255	442
JD151	256	443
JD151	261	452
JD151	268	460
JD151	271	465
JD151	272	467
JD151	276	474
JD151	277	475
JD151	278	476
JD151	279	478
JD151	281	482
JD151	296	514
JD152	256	443
JD152	276	474
JD153	236	400
JD153	254	439
JD153	255	442
JD153	268	460
JD153	271	465
JD153	272	467
JD153	277	475
JD153	278	476
JD153	279	478
JD153	296	514
JD198	80	164
JD198	80	165
JD221	222	369
JD221	222	370
JD221	232	393
JD221	326	564
JD221	326	565
JD221	77	159
JD222	78	160
JD222	78	161
JD222	79	162
JD222	79	163
JD222	337	592
JD222	340	601
JD222	395	685
JD222	396	688
JD222	396	689
JD222	397	691
JD223	337	592
JD223	337	594
JD223	340	601
JD223	396	688
JD223	396	689
JD223	397	691
JD224	77	159
JD224	78	160
JD224	78	161


NUMERICAL PARTS LIST


Numerische Teilenummernliste • Elenco riferimenti
Liste des références produits


		9
JD224	79	162
JD224	79	163
JD224	337	593
JD224	338	595
JD224	340	601
JD224	340	602
JD224	341	603
JD224	396	688
JD224	396	689
JD224	397	690
JD224	397	691
JD224	400	697
JD224	401	698
JD224	402	701
JD224	403	705
JD225	146	258
JD225	147	259
JD225	148	260
JD225	149	261
JD225	150	262
JD225	151	263
JD225	151	264
JD225	152	265
JD225	153	266
JD225	154	267
JD225	213	354
JD225	215	356
JD225	216	357
JD226	146	258
JD226	147	259
JD226	148	260
JD226	149	261
JD226	150	262
JD226	151	263
JD226	151	264
JD226	152	265
JD226	153	266
JD226	154	267
JD226	213	354
JD226	214	355
JD226	215	356
JD226	216	357
JD227	156	269
JD227	158	271
JD228	156	269
JD228	157	270
JD228	158	271
JD228	159	272
JD228	160	273
JD228	161	274
JD228	162	275
JD228	163	276
JD228	164	277
JD228	169	289
JD228	170	290
JD230	288	499
JD230	289	500
JD235	213	353
JD235	216	358
JD235	217	359


		9
JD235	243	412
JD235	280	481
JD271	93	189
JD271	94	190
JD271	95	191
JD271	95	192
JD271	96	193
JD271	97	194
JD271	98	195
JD271	99	196
JD271	100	197
JD271	101	198
JD271	102	199
JD271	105	203
JD271	106	204
JD271	107	205
JD271	108	206
JD271	207	345
JD271	208	346
JD271	208	347
JD271	209	348
JD271	210	349
JD271	212	351
JD271	212	352
JD273	92	187
JD273	93	189
JD273	94	190
JD273	95	191
JD273	95	192
JD273	96	193
JD273	97	194
JD273	98	195
JD273	99	196
JD273	100	197
JD273	101	198
JD273	102	199
JD273	103	200
JD273	104	201
JD273	104	202
JD273	105	203
JD273	106	204
JD273	107	205
JD273	108	206
JD273	138	248
JD273	139	249
JD273	140	251
JD273	140	252
JD273	206	343
JD273	206	344
JD273	207	345
JD273	208	346
JD273	208	347
JD273	209	348
JD273	210	349
JD273	212	351
JD273	212	352
JD340	319	555
JD340	319	556
JD340	320	557
JD342	90	184


		9
JD342	91	185
JD342	91	186
JD343	90	184
JD343	91	185
JD343	91	186
JD464	28	51
JD464	28	52
JD464	31	57
JD465	28	51
JD465	28	52
JD465	31	57
JD466	92	187
JD467	109	208
JD467	110	209
JD468	109	208
JD468	110	209
JD468	111	210
JD468	112	211
JD468	113	212
JD468	114	213
JD468	115	214
JD468	115	215
JD468	116	216
JD468	117	217
JD468	118	218
JD468	119	219
JD468	120	220
JD468	121	221
JD468	122	222
JD468	125	226
JD468	125	227
JD468	126	228
JD468	126	229
JD468	127	230
JD468	128	231
JD468	128	232
JD468	129	233
JD468	130	235
JD468	131	236
JD468	132	237
JD468	135	243
JD468	135	244
JD468	136	246
JD468	137	247
JD468	139	250
JD468	141	253
JD468	142	254
JD468	143	255
JD468	144	256
JD468	145	257
JD519	199	330
JD529	289	500
JD536	282	485
JD536	294	511
JD539	282	485
JD565	328	568
JD565	328	569
JD586	338	597
JD586	339	598
JD586	339	599

		9
JD586	398	692
JD586	398	693
JD586	399	694
JD586	400	696
JD586	404	707
JD586	404	708
JD586	405	709
JD587	338	597
JD587	339	598
JD587	339	599
JD587	398	692
JD587	398	693
JD587	399	694
JD587	400	696
JD587	404	707
JD587	404	708
JD587	405	709
JD5143	88	180
JD5143	89	181
JD5143	315	548
JD5143	316	549
JD5143	316	550
JD5143	317	551
JD5143	317	552
JD5143	318	553
JD5143	318	554
JD5143	319	555
JD5143	319	556
JD5143	320	557
JD5144	331	578
JD5144	332	579
JD5144	341	604
JD5144	341	605
JD5144	342	606
JD5144	342	607
JD5144	343	608
JD5144	343	609
JD5144	344	610
JD5144	344	611
JD5155	49	91
JD5155	49	93
JD5155	50	94
JD5155	51	95
JD5155	52	96
JD5155	53	100
JD5155	54	101
JD5155	65	126
JD5155	66	127
JD5155	299	521
JD5190	285	493
JD5190	285	494
JD5190	287	497
JD5190	288	498
JD5191	287	497
JD5191	288	498
JD5192	172	294
JD5291	285	494
JD5291	288	499
JD5337	332	580
JD5337	333	581

			9
JD5337	333	582	
JD5337	334	583	
JD5337	334	585	
JD5337	335	586	
JD5337	336	588	
JD5337	336	589	
JD5337	337	591	
JD5337	350	618	
JD5338	332	580	
JD5338	333	581	
JD5338	333	582	
JD5338	334	583	
JD5338	334	585	
JD5338	335	586	
JD5338	336	588	
JD5338	336	589	
JD5338	337	591	
JD5338	350	618	
JD5375	15	35	
JD5375	16	36	
JD5375	17	37	
JD5375	18	38	
JD5375	19	39	
JD5375	20	40	
JD5375	21	41	
JD5375	22	43	
JD5375	22	44	
JD5375	23	45	
JD5375	23	46	
JD5375	24	47	
JD5375	25	48	
JD5375	26	49	
JD5375	27	50	
JD5375	29	53	
JD5375	29	54	
JD5375	30	55	
JD5375	30	56	
JD5375	32	58	
JD5375	33	59	
JD5375	36	62	
JD5375	37	63	
JD5375	38	64	
JD5375	42	74	
JD5375	43	76	
JD5375	66	128	
JD5376	123	223	
JD5376	124	224	
JD5376	132	238	
JD5376	133	239	
JD5376	133	240	
JD5376	134	241	
JD5376	134	242	
JD5376	136	245	
JD5376	138	248	
JD5376	139	249	
JD5376	140	251	
JD5376	140	252	
JD5411	10	22	
JD5411	11	25	
JD5411	12	26	


			9
JD5411	14	30	
JD5411	14	31	
JD5411	14	32	
JD5411	15	33	
JD5413	10	22	
JD5413	11	25	
JD5413	12	26	
JD5413	12	27	
JD5413	13	28	
JD5413	13	29	
JD5413	14	30	
JD5413	14	31	
JD5413	14	32	
JD5413	15	33	
JD5810	170	290	
JD5829	47	86	
JD5868	297	517	
JD5868	297	518	
JD5881	283	489	
JD5881	284	490	
JD5881	284	492	
JD5881	286	495	
JD5906	329	571	
JD5906	329	572	
JD5907	329	571	
JD5907	329	572	
JD5965	58	111	
JD5972	201	333	
JD5972	202	334	
JD5972	204	339	
JD5981	421	742	
JD5981	422	743	
JD5981	422	744	
JD5981	422	745	
JD5981	423	746	
JD5981	423	747	
JD5982	89	182	
JD5993	12	27	
JD5993	13	28	
JD5993	13	29	
JD5997	230	387	
JD5997	236	400	
JD5997	260	451	
JD5997	261	452	
JD5997	268	460	
JD5997	268	461	
JD5997	272	466	
JD5997	272	467	
JD5997	273	468	
JD5997	277	475	
JD5997	278	476	
JD5997	279	478	
JD6023	171	292	
JD6023	171	293	
JD6023	172	294	
JE390	60	118	
JE390	61	119	
JE390	72	144	
JE390	223	371	
JE390	223	372	


			9
JE390	224	375	
JE390	226	378	
JE390	279	479	
JE390	292	506	
JE390	298	519	
JE390	298	520	
JE390	300	522	
JE390	302	526	
JE390	303	527	
JE390	303	528	
JE390	304	529	
JE390	305	530	
JE390	306	532	
JE390	307	533	
JE390	310	538	
JE390	311	539	
JE480	10	21	
JE480	46	83	
JE480	54	102	
JE647	331	576	
JE696	56	107	
JE696	58	112	
JE696	68	132	
JE696	76	157	
JE696	76	158	
JE696	244	417	
JE696	245	422	
JE744	69	137	
JE744	70	138	
JE744	70	139	
JE744	71	140	
JE744	71	141	
JE744	225	377	
JE744	326	564	
JE744	326	565	
JE744	327	566	
JF123	331	578	
JF123	332	579	
JF123	341	605	
JF123	342	607	
JF123	347	614	
JF123	349	617	
JF123	370	647	
JF123	372	650	
JF123	378	660	
JF123	385	672	
JF123	413	724	
JF123	416	731	
JF123	419	736	
JF123	420	737	
JF145	15	35	
JF145	16	36	
JF145	17	37	
JF145	18	38	
JF145	19	39	
JF145	20	40	
JF145	21	41	
JF145	22	43	
JF145	22	44	
JF145	24	47	


			9
JF145	25	48	
JF145	26	49	
JF145	27	50	
JF145	29	53	
JF145	29	54	
JF145	30	55	
JF145	30	56	
JF145	32	58	
JF145	66	128	
JF150	84	172	
JF150	85	173	
JF150	85	174	
JF150	86	176	
JF150	87	177	
JF150	313	543	
JF150	321	558	
JF150	325	562	
JF184	28	51	
JF184	28	52	
JF184	31	57	
JH111	503	896	
JH111	605	1055	
JH111	606	1056	
JH111	607	1058	
JH111	608	1059	
JH111	608	1060	
JH111	611	1064	
JH111	612	1065	
JH111	615	1068	
JH111	616	1069	
JH111	617	1073	
JH111	626	1087	
JH111	640	1110	
JH111	652	1127	
JH111	653	1128	
JH111	654	1129	
JH111	656	1131	
JH111	669	1144	
JH111	669	1145	
JH111	671	1148	
JH310	440	772	
JH310	468	831	
JH310	478	850	
JH310	479	851	
JH494	488	871	
JH494	490	873	
JH494	491	874	
JH494	685	1172	
JH494	694	1184	
JH494	698	1191	
JH494	700	1194	
JH494	701	1196	
JH565	493	878	
JH565	494	880	
JH565	495	882	
JH565	497	885	
JH565	601	1048	
JH565	601	1049	
JH565	604	1053	
JH565	713	1216	


NUMERICAL PARTS LIST


Numerische Teilenummernliste • Elenco riferimenti
Liste des références produits


 9		
JH565	714	1217
JH565	716	1220
JH565	717	1221
JH5077	721	1229
JH5077	723	1232
JH5077	724	1233
JH5077	724	1235
JH5077	725	1236
JH5077	743	1260
JH5178	733	1252
JH5178	741	1258
JH5178	766	1275
JH5178	770	1278
JH5178	778	1283
JH5178	779	1284
JH5178	788	1291
JH5178	790	1292
JH5178	790	1293
JH5178	797	1297
JH5178	798	1298
JH5178	802	1302
JH5178	817	1313
JH5178	819	1314
JH5178	833	1331
JH5178	842	1342
JH5178	844	1344
JH5178	845	1345
JJ078	473	841
JJ078	474	844
JJ078	475	845
JJ078	477	849
JJ078	491	875
JJ078	695	1185
JJ100	731	1250
JJ100	735	1253
JJ100	738	1255
JJ100	745	1261
JJ100	747	1262
JJ100	749	1263
JJ100	753	1265
JJ100	755	1266
JJ100	757	1268
JJ100	760	1270
JJ100	767	1276
JJ100	783	1288
JJ100	792	1294
JJ100	799	1299
JJ100	804	1305
JJ100	821	1316
JJ100	822	1317
JJ100	822	1318
JJ100	827	1321
JJ136	583	1016
JJ136	584	1018
JJ283	585	1021
JJ283	585	1022
JJ283	587	1024
JJ283	588	1025
JJ283	589	1026
JJ283	590	1027


 9		
JJ283	590	1028
JJ283	591	1029
JJ283	681	1166
JJ283	682	1167
JJ283	687	1175
JJ283	687	1176
JJ283	690	1179
JJ298	480	853
JJ298	561	993
JJ298	563	994
JJ298	564	995
JJ298	564	996
JJ298	565	997
JJ298	566	998
JJ298	568	1000
JJ298	569	1001
JJ298	570	1002
JJ298	571	1003
JJ298	573	1006
JJ298	574	1007
JJ298	575	1008
JJ298	576	1009
JJ298	578	1010
JJ298	579	1011
JJ298	580	1012
JJ298	581	1013
JJ298	582	1014
JJ298	614	1067
JJ298	616	1070
JJ298	617	1072
JJ298	622	1080
JJ298	639	1109
JJ298	643	1114
JJ298	644	1115
JJ298	650	1123
JJ298	655	1130
JJ298	657	1132
JJ298	658	1133
JJ298	659	1134
JJ298	665	1140
JJ298	705	1203
JJ317	762	1271
JJ317	809	1308
JJ398	480	853
JJ398	561	993
JJ398	563	994
JJ398	564	996
JJ398	565	997
JJ398	566	998
JJ398	568	1000
JJ398	569	1001
JJ398	570	1002
JJ398	573	1006
JJ398	576	1009
JJ398	578	1010
JJ398	579	1011
JJ398	580	1012
JJ398	581	1013
JJ413	612	1065
JJ413	622	1081


 9		
JJ413	624	1085
JJ413	626	1089
JJ413	627	1090
JJ413	643	1114
JJ413	644	1115
JJ413	645	1116
JJ413	646	1117
JJ413	647	1119
JJ413	648	1121
JJ413	650	1124
JJ413	651	1125
JJ413	658	1133
JJ413	662	1137
JJ413	663	1138
JJ413	666	1141
JJ413	667	1142
JJ413	668	1143
JJ413	670	1147
JJ413	672	1150
JJ413	673	1152
JJ413	705	1203
JJ440	476	846
JJ449	426	749
JJ449	435	763
JJ450	604	1054
JJ450	618	1074
JJ451	671	1149
JJ452	480	854
JJ452	483	859
JJ452	505	899
JJ452	506	900
JJ452	633	1100
JJ452	634	1101
JJ452	636	1105
JJ452	637	1106
JJ452	729	1246
JJ453	510	909
JJ453	511	910
JJ453	512	911
JJ453	513	912
JJ453	514	913
JJ453	514	914
JJ453	515	915
JJ453	695	1186
JJ453	697	1188
JJ453	700	1193
JJ453	701	1196
JJ453	702	1197
JJ453	703	1199
JJ453	703	1200
JJ453	704	1201
JJ453	705	1202
JJ453	706	1204
JJ453	708	1208
JJ453	710	1210
JJ453	710	1211
JJ453	711	1212
JJ453	711	1213
JJ453	713	1215
JJ471	507	904

 9		
JJ471	508	905
JJ515	830	1325
JJ519	731	1250
JJ519	733	1252
JJ519	735	1253
JJ519	738	1255
JJ519	741	1258
JJ519	742	1259
JJ519	745	1261
JJ519	751	1264
JJ519	757	1268
JJ519	766	1275
JJ519	770	1278
JJ519	773	1280
JJ519	776	1282
JJ519	778	1283
JJ519	779	1284
JJ519	780	1285
JJ519	781	1286
JJ519	782	1287
JJ519	783	1288
JJ519	788	1291
JJ519	790	1292
JJ519	790	1293
JJ519	794	1295
JJ519	797	1297
JJ519	798	1298
JJ519	801	1301
JJ519	802	1302
JJ519	803	1303
JJ519	804	1305
JJ519	806	1306
JJ519	812	1310
JJ519	814	1311
JJ519	822	1318
JJ519	827	1321
JJ519	832	1329
JJ519	833	1331
JJ519	835	1333
JJ605	430	755
JJ605	430	756
JJ605	435	763
JJ613	837	1335
JJ613	838	1336
JJ613	839	1337
JJ613	840	1339
JJ613	841	1341
JJ613	842	1342
JJ613	843	1343
JJ613	845	1345
JM085	72	143
JM085	72	146
JM085	72	147
JM085	73	148
JM085	73	149
JM085	73	150
JM085	74	151
JM085	223	373
JM085	224	374
JM085	224	375

			9
JM085	225	376	
JM085	226	378	
JM085	226	379	
JM085	233	396	
JM085	233	397	
JM085	247	427	
JM085	247	428	
JM085	248	430	
JM085	248	431	
JM085	248	432	
JM085	249	433	
JM333	2	1	
JM333	5	8	
JM333	6	10	
JM333	6	11	
JM333	7	13	
JM333	9	20	
JM333	47	88	
JM490	10	21	
JM490	46	83	
JM508	73	149	
JM508	223	373	
JM508	224	374	
JM508	225	376	
JM508	225	377	
JM508	226	378	
JM508	226	379	
JM508	233	396	
JM663	60	118	
JM663	61	119	
JM663	61	120	
JM663	81	166	
JM663	81	167	
JM663	257	445	
JM663	292	506	
JM663	292	507	
JM663	298	519	
JM663	298	520	
JM663	301	524	
JM663	303	527	
JM663	303	528	
JM663	306	532	
JM663	310	537	
JM674	10	21	
JM674	46	83	
JM674	54	102	
JM674	55	103	
JM5002	93	189	
JM5002	94	190	
JM5002	95	191	
JM5002	105	203	
JM5002	106	204	
JM5002	208	346	
JM5002	208	347	
JM5002	209	348	
JM5002	210	349	
JM5002	211	350	
JM5003	117	217	
JM5003	127	230	
JM5018	149	261	


			9
JM5018	150	262	
JM5018	151	263	
JM5018	151	264	
JM5018	152	265	
JM5018	154	267	
JM5018	213	354	
JM5019	20	40	
JM5019	29	53	
JM5019	29	54	
JM5019	30	55	
JM5019	30	56	
JM5019	32	58	
JM5019	33	59	
JM5019	37	63	
JM5023	77	159	
JM5023	78	160	
JM5023	397	691	
JM5024	77	159	
JM5024	78	160	
JM5024	397	691	
JM5028	112	211	
JM5028	113	212	
JM5028	114	213	
JM5028	115	214	
JM5028	116	216	
JM5028	118	218	
JM5028	119	219	
JM5028	120	220	
JM5028	121	221	
JM5028	122	222	
JM5028	125	226	
JM5028	128	231	
JM5028	128	232	
JM5028	129	233	
JM5028	130	235	
JM5028	131	236	
JM5028	132	237	
JM5028	135	244	
JM5028	143	255	
JM5028	144	256	
JM5029	161	274	
JM5029	162	275	
JM5029	163	276	
JM5029	164	277	
JM5087	285	493	
JM5087	285	494	
JM5087	287	497	
JM5088	172	294	
JM5089	172	294	
JM5139	282	485	
JM5141	286	495	
JM5141	286	496	
JM5141	291	504	
JM5141	291	505	
JM5176	28	51	
JM5176	28	52	
JM5176	31	57	
JM5176	34	60	
JM5176	35	61	
JM5176	38	65	


			9
JM5176	39	66	
JM5176	39	67	
JM5176	40	68	
JM5176	40	69	
JM5176	41	70	
JM5176	41	72	
JM5176	42	73	
JM5176	44	77	
JM5201	332	580	
JM5201	333	582	
JM5201	334	583	
JM5201	335	586	
JM5201	336	588	
JM5201	350	618	
JM5202	332	580	
JM5202	333	582	
JM5202	334	583	
JM5202	334	585	
JM5202	335	586	
JM5202	336	588	
JM5202	336	589	
JM5202	337	591	
JM5204	112	211	
JM5204	113	212	
JM5204	114	213	
JM5204	115	214	
JM5204	115	215	
JM5204	116	216	
JM5204	118	218	
JM5204	119	219	
JM5204	120	220	
JM5204	121	221	
JM5204	122	222	
JM5204	125	226	
JM5204	125	227	
JM5204	126	228	
JM5204	126	229	
JM5204	128	231	
JM5204	128	232	
JM5204	129	233	
JM5204	130	235	
JM5204	131	236	
JM5204	132	237	
JM5204	135	243	
JM5204	135	244	
JM5204	136	246	
JM5204	137	247	
JM5204	139	250	
JM5204	143	255	
JM5204	144	256	
JM5204	145	257	
JM5259	10	22	
JM5259	11	24	
JM5259	11	25	
JM5259	12	27	
JM5259	13	28	
JM5259	13	29	
JM5259	14	30	
JM5259	14	31	
JM5259	14	32	


			9
JM5259	15	33	
JM5283	282	485	
JM5299	12	26	
JM7034	47	86	
JM7055	123	223	
JM7055	124	224	
JM7055	132	238	
JM7055	133	239	
JM7055	133	240	
JM7055	134	241	
JM7055	134	242	
JM7055	136	245	
JM7055	138	248	
JM7055	139	249	
JM7055	140	251	
JM7055	140	252	
JM7099	23	45	
JM7099	23	46	
JM7099	32	58	
JM7099	33	59	
JM7099	36	62	
JM7099	42	74	
JM7099	43	76	
JM7102	297	517	
JM7103	89	182	
JM7117	164	278	
JM7117	165	279	
JM7117	165	280	
JM7117	165	281	
JM7117	166	282	
JM7117	166	283	
JM7117	166	284	
JM7117	167	285	
JM7117	167	286	
JM7117	168	287	
JM7117	168	288	
JM7121	294	511	
JM7121	295	512	
JN244	330	574	
JN244	330	575	
JN244	331	576	
JN283	47	88	
JN283	48	89	
JN283	48	90	
JN283	53	100	
JN283	65	125	
JN283	65	126	
JN283	66	127	
JN283	299	521	
JN333	3	4	
JN406	8	16	
JN406	9	17	
JN406	9	18	
JN459	56	106	
JN459	173	296	
JN459	173	297	
JN459	174	298	
JN459	174	299	
JN459	175	300	
JN459	176	301	


NUMERICAL PARTS LIST


Numerische Teilenummernliste • Elenco riferimenti
Liste des références produits


 9		
JN459	177	302
JN459	178	303
JN459	179	304
JN459	179	305
JN459	180	306
JN459	181	307
JN459	183	311
JN459	184	312
JN459	185	313
JN459	186	314
JN459	187	315
JN459	188	316
JN459	188	317
JN459	189	318
JN459	190	319
JN459	191	320
JN459	194	323
JN459	195	324
JN459	196	325
JN459	197	326
JN459	224	375
JN462	345	612
JN462	353	621
JN462	358	628
JN462	381	666
JN462	390	679
JN462	394	684
JN544	200	331
JN544	200	332
JN544	201	333
JN544	202	334
JN544	203	336
JN544	204	339
JN547	199	330
JN547	293	509
JN547	296	514
JN568	192	321
JN568	193	322
JN581	341	604
JN585	361	633
JN585	362	634
JN585	382	667
JN585	383	668
JN585	384	670
JN585	391	680
JN585	392	681
JN587	49	91
JN588	67	130
JN588	67	131
JN588	68	132
JN588	69	136
JN588	69	137
JN588	70	138
JN588	71	140
JN588	217	360
JN588	218	361
JN588	219	363
JN588	219	364
JN588	221	367
JN588	222	369


 9		
JN588	222	370
JN588	232	393
JN594	345	612
JN594	347	614
JN594	348	615
JN594	348	616
JN594	349	617
JN594	351	619
JN594	352	620
JN594	353	621
JN594	354	622
JN594	355	624
JN594	356	625
JN594	357	626
JN594	358	628
JN594	359	630
JN594	359	631
JN594	363	635
JN594	364	637
JN594	364	638
JN594	367	641
JN594	368	642
JN594	368	643
JN594	369	645
JN594	372	650
JN594	372	651
JN594	373	652
JN594	374	653
JN594	374	654
JN594	375	656
JN594	376	658
JN594	378	660
JN594	380	663
JN594	380	664
JN594	381	666
JN594	384	671
JN594	385	672
JN594	386	674
JN594	389	678
JN596	388	676
JN596	405	710
JN643	225	377
JN643	231	390
JN643	234	398
JN643	237	402
JN643	250	434
JN643	251	435
JN643	251	436
JN643	252	437
JN643	253	438
JN643	262	453
JN643	266	457
JN643	270	464
JN643	275	472
JN643	280	480
JN643	314	546
JN644	227	381
JN645	231	390
JN658	46	85
JN666	80	164


 9		
JN667	2	2
JN667	3	3
JN667	15	35
JN667	16	36
JN667	17	37
JN667	18	38
JN667	19	39
JN667	21	41
JN667	22	43
JN667	22	44
JN667	24	47
JN667	25	48
JN667	26	49
JN667	27	50
JN667	29	53
JN667	29	54
JN667	30	55
JN667	30	56
JN667	38	64
JN667	66	128
JN669	50	94
JN669	51	95
JN669	52	96
JN803	4	5
JN803	4	6
JN803	7	14
JN803	8	15
JN804	80	165
JN805	60	118
JN805	61	119
JN805	61	120
JN805	62	121
JN805	62	122
JN805	63	123
JN805	64	124
JN805	65	125
JN805	65	126
JN805	81	166
JN805	81	167
JN805	82	168
JN805	82	169
JN805	83	170
JN805	83	171
JN805	84	172
JN805	85	173
JN805	85	174
JN805	86	175
JN805	86	176
JN805	87	177
JN805	87	178
JN805	292	506
JN805	292	507
JN805	298	519
JN805	298	520
JN805	300	522
JN805	301	523
JN805	302	526
JN805	303	527
JN805	303	528
JN805	304	529

 9		
JN805	305	530
JN805	305	531
JN805	306	532
JN805	307	533
JN805	309	535
JN805	310	538
JN805	311	539
JN805	311	540
JN805	312	541
JN805	312	542
JN805	313	543
JN805	313	544
JN805	314	546
JN805	315	547
JN805	321	558
JN805	322	559
JN805	323	560
JN805	324	561
JN805	325	562
JN806	75	156
JN806	76	157
JN806	76	158
JN806	244	416
JN807	77	159
JN807	78	160
JN807	78	161
JN807	79	162
JN807	79	163
JN807	337	592
JN807	337	594
JN807	340	601
JN807	395	685
JN807	396	688
JN807	396	689
JN808	77	159
JN808	78	160
JN808	78	161
JN808	79	162
JN808	79	163
JN808	337	592
JN808	337	594
JN808	340	601
JN808	395	685
JN808	396	688
JN808	396	689
JN809	182	310
JN810	328	568
JN810	328	569
JN811	328	568
JN811	328	569
JN812	244	417
JN812	245	422
JN813	401	700
JN814	401	700
JN819	234	398
JN928	236	400
JN928	254	439
JN928	255	442
JN928	256	443
JN928	261	452

			9
JN928	268	460	
JN928	271	465	
JN928	272	467	
JN928	276	474	
JN928	277	475	
JN928	278	476	
JN928	279	478	
JN928	281	482	
JN933	146	258	
JN933	147	259	
JN933	148	260	
JN933	153	266	
JN933	214	355	
JN934	156	269	
JN934	158	271	
JN940	213	353	
JN940	216	358	
JN940	217	359	
JN940	243	412	
JN940	280	481	
JN948	234	398	
JN948	235	399	
JN948	237	402	
JN948	238	403	
JN948	241	409	
JN948	266	457	
JN948	270	464	
JN956	385	672	
JN956	386	674	
JN956	387	675	
JN956	388	676	
JN956	409	715	
JN956	410	717	
JN956	411	720	
JN956	413	724	
JN956	414	725	
JN956	414	726	
JN956	415	727	
JN956	416	730	
JN956	417	732	
JN956	419	736	
JN969	393	682	
JN969	394	683	
JN972	90	184	
JN972	91	185	
JN972	91	186	
JN973	88	180	
JN973	89	181	
JN973	315	548	
JN973	316	549	
JN973	316	550	
JN973	317	551	
JN973	317	552	
JN973	318	553	
JN973	318	554	
JN973	319	555	
JN973	319	556	
JN973	320	557	
JP004	56	107	
JP004	58	112	


			9
JP019	109	208	
JP019	110	209	
JP024	314	545	
JP045	288	499	
JP049	62	121	
JP049	62	122	
JP049	63	123	
JP049	64	124	
JP049	65	125	
JP049	65	126	
JP049	82	168	
JP049	82	169	
JP049	83	170	
JP049	83	171	
JP049	84	172	
JP049	85	173	
JP049	85	174	
JP049	86	175	
JP049	86	176	
JP049	87	177	
JP049	87	178	
JP049	300	522	
JP049	302	526	
JP049	304	529	
JP049	305	530	
JP049	305	531	
JP049	306	532	
JP049	307	533	
JP049	309	535	
JP049	310	538	
JP049	311	539	
JP049	311	540	
JP049	312	541	
JP049	312	542	
JP049	313	543	
JP049	313	544	
JP049	314	546	
JP049	315	547	
JP049	321	558	
JP049	322	559	
JP049	323	560	
JP049	324	561	
JP049	325	562	
JP063	111	210	
JP063	141	253	
JP063	142	254	
JP064	157	270	
JP064	159	272	
JP064	160	273	
JP064	170	290	
JP068	343	608	
JP068	343	609	
JP068	344	610	
JP068	401	700	
JP069	416	731	
JP069	417	733	
JP069	420	737	
JP070	338	597	
JP070	339	598	
JP070	339	599	


			9
JP070	395	687	
JP070	398	692	
JP070	398	693	
JP070	399	694	
JP070	400	696	
JP070	404	707	
JP070	404	708	
JP070	405	709	
JP071	338	597	
JP071	339	598	
JP071	339	599	
JP071	395	687	
JP071	398	692	
JP071	398	693	
JP071	399	694	
JP071	400	696	
JP071	404	707	
JP071	404	708	
JP071	405	709	
KG393	10	21	
KG393	46	83	
KG393	54	102	
KG393	55	103	
KG5157	680	1165	
KG5337	297	517	
KG5337	297	518	
KV086	633	1100	
KV086	634	1101	
KV086	726	1239	
KV086	729	1246	
KV086	831	1328	
KV102	244	416	
LB414	227	380	
LB414	227	381	
LB414	250	434	
LB414	251	436	
LB414	253	438	
LB414	262	453	
LB414	270	464	
LK5001	460	810	
LK5001	460	811	
LK5001	461	812	
LK5001	461	813	
LK5001	462	814	
LK5001	462	815	
LK5001	463	816	
LK5001	463	817	
LK5001	464	818	
LK5001	465	820	
LK5001	465	821	
LK5001	465	822	
LK5001	466	826	
LK5001	467	827	
LK5001	467	829	
LS856	743	1260	
LT439	81	166	
LT439	81	167	
LT439	82	168	
LT439	82	169	
N151/6	640	1110	


			9
N151/6	675	1155	
N151/6	676	1156	
N151/6	677	1159	
N151/6	677	1160	
N151/6	678	1161	
N151/6	678	1162	
N151/6	679	1163	
N151/6	680	1164	
N151/6	680	1165	
N151/6	683	1168	
N151/6	683	1169	
N151/6	684	1170	
N151/6	685	1171	
N153/3	846	1346	
N153/3	847	1347	
NA784	502	895	
NA784	503	896	
NA5001	395	686	
NA5001	400	697	
NA5001	404	707	
NA5001	404	708	
NA5001	405	709	
NA5030	692	1182	
NA5031	692	1182	
NA5035	281	483	
NA5035	283	488	
NA5035	283	489	
NA5035	284	490	
NA5035	284	491	
NA5035	285	493	
NA5035	285	494	
NA5035	286	495	
NA5035	286	496	
NA5035	287	497	
NA5035	288	498	
NA5035	289	501	
NA5035	290	502	
NA5035	290	503	
NA5035	291	504	
NA5035	291	505	
NA5045	440	772	
NA5045	468	831	
NA5045	478	850	
NA5045	507	904	
NA5049	426	749	
NA5049	432	758	
NA5049	433	760	
NA5049	433	761	
NA5049	434	762	
NA5049	439	770	
NA5049	479	851	
NA5049	488	871	
NA5049	490	873	
NA5049	491	874	
NA5049	512	911	
NA5049	514	913	
NA5049	694	1184	
NA5049	695	1186	
NA5049	697	1188	
NA5049	698	1191	


NUMERICAL PARTS LIST


Numerische Teilenummernliste • Elenco riferimenti
Liste des références produits


 9		
NA5049	700	1193
NA5049	700	1194
NA5049	701	1196
NA5049	702	1197
NA5049	703	1199
NA5049	705	1202
NA5049	705	1203
NA5049	713	1215
NA5050	480	853
NA5050	499	888
NA5050	503	896
NA5050	607	1058
NA5050	608	1059
NA5050	614	1067
NA5050	619	1076
NA5050	640	1110
NA5051	475	845
NA5051	476	846
NA5051	510	909
NA5051	511	910
NA5051	513	912
NA5051	515	915
NA5051	516	916
NA5051	685	1172
NA5051	703	1199
NA5051	703	1200
NA5051	705	1202
NA5051	705	1203
NA5051	707	1205
NA5051	707	1206
NA5051	708	1207
NA5051	708	1208
NA5051	710	1211
NA5051	711	1212
NA5051	713	1215
NA5052	475	845
NA5052	476	846
NA5053	2	2
NA5053	3	3
NA5053	15	34
NA5053	15	35
NA5053	16	36
NA5053	17	37
NA5053	18	38
NA5053	19	39
NA5053	20	40
NA5053	21	41
NA5053	22	43
NA5053	22	44
NA5053	24	47
NA5053	25	48
NA5053	26	49
NA5053	27	50
NA5053	29	53
NA5053	29	54
NA5053	30	55
NA5053	30	56
NA5053	32	58
NA5053	33	59
NA5053	36	62


 9		
NA5053	37	63
NA5053	38	64
NA5053	52	97
NA5053	66	128
NA5053	90	184
NA5053	91	185
NA5053	91	186
NA5053	92	187
NA5053	93	189
NA5053	94	190
NA5053	95	191
NA5053	95	192
NA5053	96	193
NA5053	97	194
NA5053	98	195
NA5053	99	196
NA5053	100	197
NA5053	101	198
NA5053	102	199
NA5053	103	200
NA5053	104	201
NA5053	104	202
NA5053	105	203
NA5053	106	204
NA5053	107	205
NA5053	108	206
NA5053	109	208
NA5053	110	209
NA5053	111	210
NA5053	112	211
NA5053	113	212
NA5053	114	213
NA5053	115	214
NA5053	115	215
NA5053	116	216
NA5053	117	217
NA5053	118	218
NA5053	119	219
NA5053	120	220
NA5053	121	221
NA5053	122	222
NA5053	123	223
NA5053	124	224
NA5053	124	225
NA5053	125	226
NA5053	125	227
NA5053	126	228
NA5053	126	229
NA5053	127	230
NA5053	128	231
NA5053	128	232
NA5053	129	233
NA5053	130	235
NA5053	131	236
NA5053	132	237
NA5053	132	238
NA5053	133	239
NA5053	133	240
NA5053	134	241
NA5053	134	242


 9		
NA5053	135	243
NA5053	135	244
NA5053	136	245
NA5053	136	246
NA5053	137	247
NA5053	138	248
NA5053	139	249
NA5053	139	250
NA5053	140	251
NA5053	140	252
NA5053	141	253
NA5053	142	254
NA5053	143	255
NA5053	144	256
NA5053	145	257
NA5053	146	258
NA5053	147	259
NA5053	148	260
NA5053	149	261
NA5053	150	262
NA5053	151	263
NA5053	151	264
NA5053	152	265
NA5053	153	266
NA5053	154	267
NA5053	155	268
NA5053	156	269
NA5053	157	270
NA5053	158	271
NA5053	159	272
NA5053	160	273
NA5053	161	274
NA5053	162	275
NA5053	163	276
NA5053	164	277
NA5053	169	289
NA5053	170	290
NA5053	181	309
NA5053	182	310
NA5053	206	343
NA5053	206	344
NA5053	207	345
NA5053	208	346
NA5053	208	347
NA5053	209	348
NA5053	210	349
NA5053	211	350
NA5053	212	351
NA5053	212	352
NA5053	213	354
NA5053	214	355
NA5053	215	356
NA5053	216	357
NA5053	236	400
NA5053	254	439
NA5053	255	442
NA5053	256	443
NA5053	256	444
NA5053	260	451
NA5053	261	452

 9		
NA5053	268	460
NA5053	268	461
NA5053	271	465
NA5053	272	466
NA5053	272	467
NA5053	273	468
NA5053	276	474
NA5053	277	475
NA5053	278	476
NA5053	278	477
NA5053	279	478
NA5053	281	482
NA5055	757	1268
NA5055	783	1288
NA5055	785	1289
NA5055	821	1316
NA5057	441	774
NA5057	449	789
NA5057	450	792
NA5057	452	796
NA5057	453	797
NA5057	455	801
NA5057	455	802
NA5057	456	803
NA5057	456	804
NA5057	457	806
NA5057	458	807
NA5057	458	808
NA5057	459	809
NA5057	460	810
NA5057	460	811
NA5057	461	812
NA5057	461	813
NA5057	462	814
NA5057	462	815
NA5057	463	816
NA5057	463	817
NA5057	464	818
NA5057	464	819
NA5057	465	820
NA5057	465	821
NA5057	465	822
NA5057	466	824
NA5057	466	825
NA5057	467	827
NA5057	467	829
NA5058	11	23
NA5058	23	45
NA5058	23	46
NA5058	28	51
NA5058	28	52
NA5058	31	57
NA5058	34	60
NA5058	35	61
NA5058	38	65
NA5058	39	66
NA5058	39	67
NA5058	40	68
NA5058	40	69
NA5058	41	70

			9
NA5058	41	72	
NA5058	42	73	
NA5058	42	74	
NA5058	42	75	
NA5058	43	76	
NA5058	44	77	
NA5058	198	329	
NA5061	441	774	
NA5061	448	787	
NA5061	449	789	
NA5061	452	796	
NA5061	453	797	
NA5061	453	798	
NA5061	454	799	
NA5061	454	800	
NA5061	455	801	
NA5061	455	802	
NA5061	456	803	
NA5061	456	804	
NA5061	457	805	
NA5061	458	807	
NA5061	458	808	
NA5061	459	809	
NA5061	464	819	
NA5061	466	824	
NA5061	466	825	
NA5061	492	876	
NA5063	493	878	
NA5063	494	880	
NA5063	495	882	
NA5063	497	885	
NA5063	601	1048	
NA5063	601	1049	
NA5063	604	1053	
NA5063	604	1054	
NA5063	713	1216	
NA5063	714	1217	
NA5063	716	1220	
NA5063	717	1221	
NA5064	67	130	
NA5064	67	131	
NA5064	68	132	
NA5064	68	133	
NA5064	68	135	
NA5064	69	136	
NA5064	69	137	
NA5064	70	138	
NA5064	71	140	
NA5064	71	141	
NA5064	217	360	
NA5064	218	361	
NA5064	219	363	
NA5064	219	364	
NA5064	220	365	
NA5064	221	367	
NA5064	222	369	
NA5064	222	370	
NA5064	232	393	
NA5064	325	563	
NA5064	326	564	


			9
NA5064	326	565	
NA5064	327	567	
NA5065	493	878	
NA5065	494	880	
NA5065	495	882	
NA5065	497	885	
NA5065	599	1042	
NA5065	601	1048	
NA5065	601	1049	
NA5065	604	1053	
NA5065	604	1054	
NA5065	673	1151	
NA5065	714	1217	
NA5065	716	1220	
NA5065	717	1221	
NA5066	469	833	
NA5066	470	835	
NA5066	470	836	
NA5066	480	854	
NA5066	482	856	
NA5066	482	857	
NA5066	483	859	
NA5066	484	860	
NA5066	484	861	
NA5066	498	886	
NA5066	505	898	
NA5066	505	899	
NA5066	506	900	
NA5066	599	1042	
NA5066	631	1097	
NA5066	632	1098	
NA5066	633	1100	
NA5066	634	1101	
NA5066	635	1102	
NA5066	635	1103	
NA5066	636	1104	
NA5066	636	1105	
NA5066	637	1106	
NA5066	639	1108	
NA5066	671	1149	
NA5066	673	1151	
NA5069	93	189	
NA5069	94	190	
NA5069	95	191	
NA5069	95	192	
NA5069	96	193	
NA5069	97	194	
NA5069	98	195	
NA5069	99	196	
NA5069	100	197	
NA5069	101	198	
NA5069	102	199	
NA5069	103	200	
NA5069	105	203	
NA5069	106	204	
NA5069	107	205	
NA5069	108	206	
NA5069	146	258	
NA5069	147	259	
NA5069	148	260	


			9
NA5069	149	261	
NA5069	150	262	
NA5069	151	263	
NA5069	151	264	
NA5069	152	265	
NA5069	153	266	
NA5069	154	267	
NA5069	212	352	
NA5069	213	354	
NA5070	485	864	
NA5070	486	865	
NA5070	486	866	
NA5070	486	867	
NA5070	487	869	
NA5070	518	922	
NA5070	518	923	
NA5070	519	924	
NA5070	520	926	
NA5070	521	927	
NA5070	522	928	
NA5070	523	929	
NA5070	523	930	
NA5070	524	931	
NA5070	525	932	
NA5070	525	933	
NA5070	527	936	
NA5070	527	937	
NA5070	528	938	
NA5070	529	939	
NA5070	530	941	
NA5070	531	942	
NA5070	531	943	
NA5070	532	944	
NA5070	533	945	
NA5070	534	946	
NA5070	534	947	
NA5070	535	948	
NA5070	535	949	
NA5070	536	950	
NA5070	536	951	
NA5070	537	952	
NA5070	538	953	
NA5070	538	954	
NA5070	539	955	
NA5070	540	956	
NA5070	541	957	
NA5070	541	958	
NA5070	541	959	
NA5070	542	960	
NA5070	542	961	
NA5070	543	962	
NA5070	543	963	
NA5070	543	964	
NA5070	544	965	
NA5070	545	966	
NA5070	545	967	
NA5070	546	968	
NA5070	547	969	
NA5070	547	970	
NA5070	547	971	


			9
NA5070	548	972	
NA5070	549	973	
NA5070	550	974	
NA5070	550	975	
NA5070	551	976	
NA5070	552	977	
NA5070	553	978	
NA5070	554	979	
NA5070	554	980	
NA5070	555	981	
NA5070	555	982	
NA5070	556	983	
NA5070	556	984	
NA5070	557	985	
NA5070	557	986	
NA5070	558	987	
NA5070	558	988	
NA5070	559	989	
NA5070	559	990	
NA5070	584	1019	
NA5070	585	1020	
NA5070	592	1030	
NA5070	593	1032	
NA5070	594	1034	
NA5070	595	1035	
NA5070	595	1036	
NA5070	596	1037	
NA5070	596	1038	
NA5070	597	1039	
NA5070	598	1040	
NA5070	599	1043	
NA5070	599	1044	
NA5070	600	1045	
NA5104	507	902	
NA5108	686	1174	
NA5163	77	159	
NA5163	78	161	
NA5163	79	162	
NA5163	79	163	
NA5163	164	277	
NA5163	164	278	
NA5163	165	279	
NA5163	165	281	
NA5163	166	282	
NA5163	166	283	
NA5163	169	289	
NA5163	210	349	
NA5163	213	353	
NA5163	280	481	
NA5163	337	593	
NA5163	337	594	
NA5163	338	595	
NA5163	338	597	
NA5163	339	598	
NA5163	339	599	
NA5163	340	600	
NA5163	340	601	
NA5163	340	602	
NA5163	395	685	
NA5163	395	687	


NUMERICAL PARTS LIST


Numerische Teilenummernliste • Elenco riferimenti
Liste des références produits


 9		
NA5163	396	688
NA5163	396	689
NA5163	397	690
NA5163	397	691
NA5163	398	692
NA5163	398	693
NA5163	399	694
NA5163	400	696
NA5163	401	698
NA5163	401	700
NA5163	402	701
NA5163	403	703
NA5163	403	704
NA5163	725	1237
NA5163	726	1239
NA5163	830	1325
NA5174	516	917
NA5174	517	918
NA5177	430	755
NA5177	430	756
NA5177	435	763
NA5177	718	1223
NA5187	51	95
NA5187	52	96
NA5187	55	104
NA5187	55	105
NA5187	56	106
NA5187	60	118
NA5187	61	119
NA5187	62	121
NA5187	62	122
NA5187	63	123
NA5187	64	124
NA5187	65	125
NA5187	65	126
NA5187	66	127
NA5187	73	149
NA5187	81	166
NA5187	81	167
NA5187	82	168
NA5187	82	169
NA5187	83	171
NA5187	84	172
NA5187	85	173
NA5187	85	174
NA5187	86	175
NA5187	86	176
NA5187	87	177
NA5187	88	180
NA5187	89	181
NA5187	173	296
NA5187	173	297
NA5187	174	299
NA5187	175	300
NA5187	176	301
NA5187	177	302
NA5187	178	303
NA5187	179	304
NA5187	180	306
NA5187	181	307


 9		
NA5187	181	308
NA5187	183	311
NA5187	184	312
NA5187	185	313
NA5187	186	314
NA5187	187	315
NA5187	188	316
NA5187	189	318
NA5187	190	319
NA5187	191	320
NA5187	192	321
NA5187	193	322
NA5187	194	323
NA5187	195	324
NA5187	196	325
NA5187	197	326
NA5187	198	328
NA5187	223	372
NA5187	223	373
NA5187	224	374
NA5187	225	376
NA5187	225	377
NA5187	226	378
NA5187	228	384
NA5187	232	394
NA5187	234	398
NA5187	235	399
NA5187	238	403
NA5187	241	409
NA5187	242	410
NA5187	247	427
NA5187	250	434
NA5187	252	437
NA5187	253	438
NA5187	254	440
NA5187	255	441
NA5187	266	457
NA5187	270	464
NA5187	273	469
NA5187	275	472
NA5187	280	480
NA5187	292	506
NA5187	298	519
NA5187	298	520
NA5187	299	521
NA5187	300	522
NA5187	302	526
NA5187	303	527
NA5187	303	528
NA5187	304	529
NA5187	305	530
NA5187	306	532
NA5187	307	533
NA5187	310	538
NA5187	311	539
NA5187	311	540
NA5187	312	541
NA5187	312	542
NA5187	313	543
NA5187	314	545


 9		
NA5187	314	546
NA5187	315	547
NA5187	315	548
NA5187	316	549
NA5187	317	551
NA5187	317	552
NA5187	318	553
NA5187	318	554
NA5187	319	555
NA5187	319	556
NA5187	320	557
NA5187	321	558
NA5187	325	562
NA5191	560	991
NA5191	561	992
NA5191	585	1021
NA5191	585	1022
NA5191	587	1024
NA5191	588	1025
NA5191	589	1026
NA5191	590	1027
NA5191	590	1028
NA5191	591	1029
NA5191	629	1094
NA5191	674	1153
NA5191	674	1154
NA5191	675	1155
NA5191	676	1158
NA5191	677	1160
NA5191	678	1161
NA5191	678	1162
NA5191	679	1163
NA5191	680	1164
NA5191	680	1165
NA5191	681	1166
NA5191	682	1167
NA5191	683	1168
NA5191	683	1169
NA5191	684	1170
NA5191	687	1175
NA5191	687	1176
NA5191	689	1178
NA5191	690	1179
NA5191	718	1224
NA5191	719	1225
NA5192	560	991
NA5192	561	992
NA5192	585	1021
NA5192	585	1022
NA5192	587	1024
NA5192	588	1025
NA5192	589	1026
NA5192	590	1027
NA5192	590	1028
NA5192	591	1029
NA5192	674	1153
NA5192	674	1154
NA5192	675	1155
NA5192	676	1158
NA5192	677	1160

 9		
NA5192	678	1161
NA5192	678	1162
NA5192	679	1163
NA5192	680	1165
NA5192	682	1167
NA5192	683	1168
NA5192	683	1169
NA5192	687	1175
NA5192	687	1176
NA5192	690	1179
NA5192	719	1225
NA5201	332	580
NA5201	333	582
NA5201	334	583
NA5201	334	585
NA5201	335	586
NA5201	336	588
NA5201	336	589
NA5201	337	591
NA5202	721	1229
NA5202	723	1232
NA5202	724	1233
NA5202	724	1235
NA5202	725	1236
NA5223	441	773
NA5223	442	775
NA5223	442	776
NA5223	443	777
NA5223	443	778
NA5223	444	779
NA5223	444	780
NA5223	445	781
NA5223	446	782
NA5223	446	783
NA5223	446	784
NA5230	441	773
NA5230	442	775
NA5230	442	776
NA5230	443	777
NA5230	443	778
NA5230	444	779
NA5230	444	780
NA5230	445	781
NA5230	446	782
NA5230	446	783
NA5230	446	784
NA5256	676	1156
NA5256	676	1157
NA5258	47	86
NA5258	399	695
NA5260	329	570
NA5260	329	571
NA5260	329	572
NA5260	717	1222
NA5305	770	1278
NA5321	44	78
NA5321	45	79
NA5321	45	81
NA5321	45	82
NA5325	471	838

			9
NB698	484	862	
NB698	517	919	
NB728	479	851	
NB732	561	993	
NB732	563	994	
NB732	564	995	
NB732	564	996	
NB732	565	997	
NB732	566	998	
NB732	568	1000	
NB732	569	1001	
NB732	570	1002	
NB732	571	1003	
NB732	572	1004	
NB732	573	1005	
NB732	573	1006	
NB732	574	1007	
NB732	575	1008	
NB732	576	1009	
NB732	578	1010	
NB732	579	1011	
NB732	580	1012	
NB732	581	1013	
NB732	582	1014	
NB732	584	1018	
NB732	616	1069	
NB732	622	1081	
NB732	624	1085	
NB732	626	1087	
NB732	626	1089	
NB732	627	1090	
NB732	639	1109	
NB732	643	1114	
NB732	644	1115	
NB732	645	1116	
NB732	646	1117	
NB732	648	1121	
NB732	650	1124	
NB732	651	1125	
NB732	652	1127	
NB732	653	1128	
NB732	654	1129	
NB732	655	1130	
NB732	656	1131	
NB732	657	1132	
NB732	658	1133	
NB732	659	1134	
NB732	661	1136	
NB732	662	1137	
NB732	663	1138	
NB732	665	1140	
NB732	666	1141	
NB732	667	1142	
NB732	669	1144	
NB732	669	1145	
NB732	670	1147	
NB732	672	1150	
NB732	673	1152	
NB742	480	853	
NB742	561	993	


			9
NB742	563	994	
NB742	564	995	
NB742	564	996	
NB742	565	997	
NB742	566	998	
NB742	568	1000	
NB742	569	1001	
NB742	570	1002	
NB742	571	1003	
NB742	572	1004	
NB742	573	1005	
NB742	573	1006	
NB742	574	1007	
NB742	575	1008	
NB742	576	1009	
NB742	578	1010	
NB742	579	1011	
NB742	580	1012	
NB742	581	1013	
NB742	582	1014	
NB742	614	1067	
NB742	622	1080	
NB742	622	1081	
NB742	624	1085	
NB742	626	1089	
NB742	627	1090	
NB742	643	1114	
NB742	644	1115	
NB742	645	1116	
NB742	646	1117	
NB742	647	1119	
NB742	648	1121	
NB742	650	1123	
NB742	650	1124	
NB742	653	1128	
NB742	654	1129	
NB742	655	1130	
NB742	658	1133	
NB742	661	1136	
NB742	662	1137	
NB742	665	1140	
NB742	666	1141	
NB742	667	1142	
NB742	669	1144	
NB742	670	1147	
NB742	672	1150	
NB806	686	1174	
NB808	430	755	
NB808	430	756	
NB808	432	758	
NB808	433	760	
NB808	433	761	
NB808	434	762	
NB808	435	763	
NB808	436	765	
NB808	437	766	
NB808	471	839	
NB808	510	909	
NB808	511	910	
NB808	513	912	


			9
NB808	515	915	
NB808	713	1215	
NB814	427	750	
NB814	447	785	
NB814	447	786	
NB814	448	787	
NB814	449	790	
NB814	451	793	
NB814	452	795	
NB814	477	847	
NB815	427	750	
NB815	447	785	
NB815	447	786	
NB815	448	787	
NB815	449	788	
NB815	449	789	
NB815	449	790	
NB815	451	793	
NB815	452	795	
NB815	453	798	
NB815	454	799	
NB815	454	800	
NB815	456	803	
NB815	456	804	
NB815	457	805	
NB815	458	808	
NB815	459	809	
NB815	466	826	
NB815	477	847	
NB815	492	876	
NB818	488	871	
NB818	490	873	
NB818	491	874	
NB818	491	875	
NB818	499	888	
NB818	503	896	
NB818	509	907	
NB818	510	909	
NB818	511	910	
NB818	512	911	
NB818	513	912	
NB818	514	913	
NB818	514	914	
NB818	515	915	
NB818	516	916	
NB818	584	1018	
NB818	607	1058	
NB818	608	1059	
NB818	619	1076	
NB818	639	1109	
NB818	694	1184	
NB818	695	1185	
NB818	695	1186	
NB818	697	1188	
NB818	698	1191	
NB818	700	1193	
NB818	700	1194	
NB818	701	1196	
NB818	702	1197	
NB818	703	1200	


			9
NB818	706	1204	
NB818	707	1205	
NB818	707	1206	
NB818	708	1207	
NB818	708	1208	
NB818	709	1209	
NB818	710	1210	
NB818	710	1211	
NB818	711	1212	
NB818	713	1215	
NB825	624	1085	
NB825	626	1087	
NB825	626	1089	
NB825	650	1123	
NB825	651	1125	
NB825	656	1131	
NB825	657	1132	
NB825	659	1134	
NB825	663	1138	
NB825	669	1145	
NB825	673	1152	
NB866	47	87	
NB946	731	1250	
NB946	735	1253	
NB946	742	1259	
NB946	743	1260	
NB946	751	1264	
NB946	753	1265	
NB946	764	1272	
NB946	814	1311	
NB946	817	1313	
NB946	819	1314	
NB946	822	1318	
NB946	827	1321	
NC006	59	114	
NC006	89	182	
NC006	90	183	
NF722	600	1046	
NF722	600	1047	
NF722	628	1092	
NF722	629	1093	
NF817	46	85	
NF817	199	330	
NF817	281	484	
NF817	282	485	
NF817	282	486	
NF817	283	487	
NF817	293	509	
NF817	294	510	
NF817	294	511	
NF817	295	512	
NF817	295	513	
NF817	296	514	
NF817	296	515	
NF833	731	1250	
NF833	741	1258	
NF833	743	1260	
NF833	745	1261	
NF833	747	1262	
NF833	749	1263	


NUMERICAL PARTS LIST


Numerische Teilenummernliste • Elenco riferimenti
Liste des références produits


 9		
NF833	753	1265
NF833	755	1266
NF833	760	1270
NF833	778	1283
NF833	779	1284
NF833	804	1305
NF841	171	292
NF841	171	293
NF841	172	294
NF841	200	331
NF841	200	332
NF841	201	333
NF841	202	334
NF841	202	335
NF841	203	336
NF841	203	337
NF841	204	338
NF841	204	339
NF841	288	499
NF841	289	500
NF841	361	633
NF841	382	667
NF841	383	669
NF841	392	681
NF853	733	1252
NF853	738	1255
NF853	762	1271
NF853	764	1272
NF853	785	1289
NF853	790	1292
NF853	790	1293
NF853	803	1303
NF853	807	1307
NF853	809	1308
NF853	814	1311
NF853	817	1313
NF853	819	1314
NF853	822	1318
NF853	824	1319
NF853	827	1321
NF853	833	1331
NF857	471	837
NF867	717	1222
NF867	718	1223
NF870	471	837
NF883	733	1252
NF883	766	1275
NF883	767	1276
NF883	783	1288
NF883	788	1291
NF883	797	1297
NF883	798	1298
NF883	799	1299
NF883	801	1301
NF883	802	1302
NF883	801	1301
NF883	802	1302
NF883	821	1316
NF883	832	1329
NF883	833	1330
NF883	833	1331
NF883	835	1333
NF883	837	1335
NF883	838	1336
NF883	839	1337
NF883	840	1339
NF883	841	1340
NF883	841	1341
NF883	842	1342
NF883	843	1343
NF883	844	1344
NF883	845	1345
NF886	733	1252
NF886	766	1275
NF886	767	1276
NF886	779	1284
NF886	783	1288
NF886	788	1291
NF886	797	1297
NF886	833	1331
NF887	514	914
NF887	516	916
NF887	704	1201
NF887	706	1204
NF887	707	1205
NF887	707	1206
NF887	708	1208
NF887	709	1209
NF887	710	1210
NF887	710	1211
NF887	711	1212
NF887	711	1213
NF888	485	864
NF888	486	865
NF888	486	866
NF888	486	867


 9		
NF888	487	869
NF888	518	923
NF888	519	924
NF888	520	926
NF888	521	927
NF888	522	928
NF888	523	929
NF888	523	930
NF888	524	931
NF888	525	932
NF888	525	933
NF888	527	936
NF888	527	937
NF888	528	938
NF888	529	939
NF888	530	941
NF888	531	942
NF888	531	943
NF888	532	944
NF888	533	945
NF888	534	946
NF888	534	947
NF888	535	948
NF888	535	949
NF888	536	950
NF888	536	951
NF888	537	952
NF888	538	953
NF888	538	954
NF888	539	955
NF888	540	956
NF888	541	957
NF888	541	958
NF888	541	959
NF888	542	960
NF888	542	961
NF888	543	962
NF888	543	963
NF888	543	964
NF888	544	965
NF888	545	966
NF888	545	967
NF888	546	968
NF888	547	969
NF888	547	970
NF888	547	971
NF888	548	972
NF888	549	973
NF888	550	974
NF888	550	975
NF888	551	976
NF888	552	977
NF888	553	978
NF888	554	979
NF888	554	980
NF888	555	981
NF888	555	982
NF888	556	983
NF888	556	984
NF888	557	985


 9		
NF888	557	986
NF888	558	987
NF888	558	988
NF888	559	989
NF888	559	990
NF888	584	1019
NF888	585	1020
NF888	592	1030
NF888	593	1032
NF888	594	1034
NF888	595	1035
NF888	595	1036
NF888	596	1037
NF888	596	1038
NF888	597	1039
NF888	598	1040
NF888	599	1043
NF888	599	1044
NF888	600	1045
NJ951	78	160
NJ951	340	601
NJ951	340	602
NJ951	341	603
NJ951	397	691
NJ951	402	701
NJ951	728	1243
NJ951	831	1327
NP067	347	614
NP067	348	616
NP067	351	619
NP067	352	620
NP067	357	626
NP067	363	635
NP067	363	636
NP067	370	647
NP067	372	650
NP067	373	652
NP067	376	658
NP067	389	677
NP067	406	711
NP067	413	724
NP067	668	1143
NP067	733	1252
NP067	738	1255
NP067	747	1262
NP067	749	1263
NP067	755	1266
NP067	760	1270
NP067	766	1275
NP067	767	1276
NP067	770	1278
NP067	773	1280
NP067	779	1284
NP067	780	1285
NP067	781	1286
NP067	782	1287
NP067	783	1288
NP067	785	1289
NP067	788	1291
NP067	792	1294

 9		
NF888	557	986
NF888	558	987
NF888	558	988
NF888	559	989
NF888	559	990
NF888	584	1019
NF888	585	1020
NF888	592	1030
NF888	593	1032
NF888	594	1034
NF888	595	1035
NF888	595	1036
NF888	596	1037
NF888	596	1038
NF888	597	1039
NF888	598	1040
NF888	599	1043
NF888	599	1044
NF888	600	1045
NJ951	78	160
NJ951	340	601
NJ951	340	602
NJ951	341	603
NJ951	397	691
NJ951	402	701
NJ951	728	1243
NJ951	831	1327
NP067	347	614
NP067	348	616
NP067	351	619
NP067	352	620
NP067	357	626
NP067	363	635
NP067	363	636
NP067	370	647
NP067	372	650
NP067	373	652
NP067	376	658
NP067	389	677
NP067	406	711
NP067	413	724
NP067	668	1143
NP067	733	1252
NP067	738	1255
NP067	747	1262
NP067	749	1263
NP067	755	1266
NP067	760	1270
NP067	766	1275
NP067	767	1276
NP067	770	1278
NP067	773	1280
NP067	779	1284
NP067	780	1285
NP067	781	1286
NP067	782	1287
NP067	783	1288
NP067	785	1289
NP067	788	1291
NP067	792	1294

			9
NP067	794	1295	
NP067	797	1297	
NP067	798	1298	
NP067	799	1299	
NP067	801	1301	
NP067	802	1302	
NP067	811	1309	
NP067	812	1310	
NP067	822	1317	
NP067	832	1329	
NP067	833	1331	
NP067	835	1333	
NP067	838	1336	
NP067	839	1337	
NP067	840	1339	
NP067	841	1341	
NP067	843	1343	
NP068	274	470	
NP068	345	612	
NP068	347	614	
NP068	348	615	
NP068	348	616	
NP068	349	617	
NP068	350	618	
NP068	351	619	
NP068	353	621	
NP068	354	622	
NP068	354	623	
NP068	355	624	
NP068	356	625	
NP068	357	626	
NP068	358	628	
NP068	359	630	
NP068	359	631	
NP068	361	633	
NP068	362	634	
NP068	363	635	
NP068	363	636	
NP068	364	637	
NP068	364	638	
NP068	367	641	
NP068	369	645	
NP068	370	646	
NP068	371	648	
NP068	371	649	
NP068	372	650	
NP068	372	651	
NP068	373	652	
NP068	374	653	
NP068	375	655	
NP068	376	657	
NP068	376	658	
NP068	378	660	
NP068	380	663	
NP068	381	665	
NP068	381	666	
NP068	382	667	
NP068	383	668	
NP068	384	670	
NP068	385	672	


			9
NP068	386	674	
NP068	387	675	
NP068	388	676	
NP068	389	677	
NP068	390	679	
NP068	391	680	
NP068	392	681	
NP068	393	682	
NP068	394	683	
NP068	394	684	
NP068	405	710	
NP068	406	711	
NP068	407	712	
NP068	408	713	
NP068	408	714	
NP068	410	717	
NP068	410	718	
NP068	411	719	
NP068	412	721	
NP068	412	722	
NP068	413	723	
NP068	414	725	
NP068	414	726	
NP068	415	727	
NP068	415	729	
NP068	416	730	
NP068	416	731	
NP068	417	732	
NP068	418	734	
NP068	419	736	
NP068	420	737	
NP068	762	1271	
NP068	824	1319	
NP068	826	1320	
PA349	587	1024	
PA349	588	1025	
PA349	682	1167	
PA349	687	1176	
PA349	719	1225	
PA5025	42	74	
PA5025	43	76	
PB907	560	991	
PB907	561	992	
PB907	585	1021	
PB907	589	1026	
PB907	590	1027	
PB907	680	1165	
PB907	682	1167	
PB907	687	1176	
TB106	68	132	
TB106	69	136	
TB106	69	137	
TB106	70	138	
TB106	217	360	
TB106	218	361	
TB106	219	363	
TB106	219	364	
TB106	220	365	
TB106	220	366	
TB106	221	367	


			9
TB106	221	368	
TB106	222	369	
TB106	222	370	
TB106	325	563	
TB112	226	378	
TB112	226	379	
TB112	227	380	
TB112	227	381	
TB112	228	383	
TB112	229	386	
TB112	230	387	
TB114	48	90	
TB114	62	121	
TB114	62	122	
TB114	63	123	
TB114	64	124	
TB114	65	125	
TB114	67	129	
TB114	298	519	
TB114	300	522	
TB114	301	523	
TB114	301	524	
TB114	302	526	
TB121	47	88	
TB121	48	89	
TB121	48	90	
TB121	53	99	
TB122	248	430	
TB122	248	431	
TB122	249	433	
TB126	81	166	
TB126	81	167	
TB126	300	522	
TB126	302	526	
TB126	303	527	
TB126	303	528	
TB126	304	529	
TB126	305	530	
TB126	305	531	
TB126	306	532	
TB126	307	533	
TB126	308	534	
TB126	309	535	
TB126	309	536	
TB126	310	538	
TB126	311	539	
TB129	2	1	
TB129	2	2	
TB129	3	3	
TB129	15	35	
TB129	16	36	
TB129	17	37	
TB129	18	38	
TB129	19	39	
TB129	20	40	
TB129	21	41	
TB129	64	124	
TB129	66	128	
TB134	78	161	
TB134	79	163	


			9
TB134	337	593	
TB134	337	594	
TB134	338	595	
TB134	396	688	
TB134	396	689	
TB134	397	690	
TB134	400	697	
TB134	401	698	
TB135	345	612	
TB135	350	618	
TB135	352	620	
TB135	359	631	
TB135	390	679	
TB135	394	684	
TB143	50	94	
TB143	51	95	
TB143	52	96	
TB146	331	577	
TB148	226	378	
TB148	248	430	
TB148	248	431	
TB150	198	328	
TB175	201	333	
TB186	180	306	
TB192	243	414	
TB192	246	424	
TB200	226	378	
TB200	226	379	
TB200	227	380	
TB200	227	381	
TB200	228	383	
TB200	229	386	
TB200	230	387	
TB246	228	384	
TB247	49	93	
TB247	53	100	
TB247	54	101	
TB247	299	521	
TB248	49	91	
TB248	53	98	
TB248	65	125	
TB248	65	126	
TB248	66	127	
TB248	300	522	
TB248	302	526	
TB248	303	527	
TB248	303	528	
TB248	304	529	
TB248	305	530	
TB248	306	532	
TB248	307	533	
TB249	226	379	
TB249	227	380	
TB249	227	381	
TB249	228	382	
TB249	228	383	
TB249	230	388	
TB249	230	389	
TB249	231	390	
TB249	231	391	


NUMERICAL PARTS LIST


Numerische Teilenummernliste • Elenco riferimenti
Liste des références produits


 9		
TB249	232	392
TB250	347	614
TB250	349	617
TB250	355	624
TB250	357	626
TB250	363	635
TB250	364	637
TB250	367	641
TB250	373	652
TB250	378	660
TB250	380	663
TB274	328	568
TB274	328	569
TB278	189	318
TB278	190	319
TB278	191	320
TB286	181	307
TB286	182	310
TB298	236	400
TB299	234	398
TB299	235	399
TB299	238	403
TB299	241	409
TB303	234	398
TB303	235	399
TB303	236	401
TB303	237	402
TB303	238	403
TB303	239	404
TB303	239	405
TB303	240	406
TB303	240	407
TB303	241	408
TB303	241	409
TB303	242	410
TB303	250	434
TB303	251	435
TB303	251	436
TB303	252	437
TB303	253	438
TB303	254	440
TB303	255	441
TB303	258	447
TB303	259	448
TB303	259	449
TB303	262	453
TB303	263	454
TB303	264	455
TB303	265	456
TB303	266	457
TB303	267	458
TB303	268	460
TB303	269	462
TB303	269	463
TB303	270	464
TB303	272	466
TB303	273	469
TB303	274	470
TB303	274	471
TB303	275	472


 9		
TB303	275	473
TB305	82	168
TB305	82	169
TB305	83	170
TB305	83	171
TB305	84	172
TB305	85	173
TB305	85	174
TB305	86	175
TB305	86	176
TB305	87	177
TB305	87	178
TB305	310	538
TB305	311	539
TB305	311	540
TB305	312	541
TB305	312	542
TB305	313	543
TB305	313	544
TB305	314	545
TB305	314	546
TB305	315	547
TB305	321	558
TB305	322	559
TB305	323	560
TB305	324	561
TB305	325	562
TB306	173	296
TB306	181	308
TB307	183	311
TB307	184	312
TB307	185	313
TB307	186	314
TB307	187	315
TB307	188	316
TB307	194	323
TB307	195	324
TB307	196	325
TB307	197	326
TB320	288	499
TB320	289	500
TB337	172	295
TB337	174	299
TB337	175	300
TB337	176	301
TB337	177	302
TB337	178	303
TB337	179	304
TB338	70	139
TB338	71	140
TB338	219	364
TB338	221	368
TB338	222	369
TB338	232	393
TB338	325	563
TB338	326	564
TB338	326	565
TB338	327	566
TB346	199	330
TB346	294	510


 9		
TB346	296	514
TB346	296	515
TB348	361	633
TB348	362	634
TB348	382	667
TB348	383	668
TB348	384	670
TB348	391	680
TB348	392	681
TB348	393	682
TB349	174	298
TB350	180	306
TB351	179	305
TB351	180	306
TB351	192	321
TB351	193	322
TB352	179	305
TB352	180	306
TB352	192	321
TB352	193	322
TB368	390	679
TB368	394	684
TB368	416	731
TB383	77	159
TB383	79	162
TB383	337	592
TB383	340	601
TB383	340	602
TB383	341	603
TB383	395	685
TB383	397	691
TB383	401	699
TB383	402	701
TB383	403	705
TB388	53	100
TB388	222	370
TB388	388	676
TB394	260	451
TB394	268	461
TB394	271	465
TB419	199	330
TB419	294	510
TB419	296	514
TB419	296	515
TB454	293	509
TB454	295	513
TB462	146	258
TB462	147	259
TB462	148	260
TB462	150	262
TB462	151	263
TB462	153	266
TB462	154	267
TB468	97	194
TB468	98	195
TB468	99	196
TB468	100	197
TB468	101	198
TB468	103	200
TB468	104	201

 9		
TB468	104	202
TB468	105	203
TB468	107	205
TB468	108	206
TB468	108	207
TB468	206	343
TB468	206	344
TB468	207	345
TB468	208	346
TB468	209	348
TB468	210	349
TB468	211	350
TB468	212	351
TB468	212	352
TB468	213	354
TB468	214	355
TB468	216	357
TB470	90	184
TB470	91	185
TB470	91	186
TB471	88	180
TB471	89	181
TB471	315	548
TB471	317	551
TB471	317	552
TB471	318	553
TB471	319	555
TB471	319	556
TB471	320	557
TB474	254	439
TB474	255	442
TB474	256	443
TB474	256	444
TB474	260	450
TB474	260	451
TB474	261	452
TB474	268	461
TB474	271	465
TB474	272	467
TB474	273	468
TB474	276	474
TB474	277	475
TB474	278	476
TB474	279	478
TB474	281	482
TB479	294	511
TB479	295	512
TB515	56	106
TB528	92	187
TB528	93	189
TB528	94	190
TB528	95	191
TB528	96	193
TB531	395	686
TB531	401	700
TB531	402	702
TB531	403	703
TB531	403	704
TB532	338	597
TB532	339	598

		9
TB532	339	599
TB532	395	686
TB532	395	687
TB532	398	692
TB532	398	693
TB532	399	694
TB532	399	695
TB532	400	696
TB532	404	707
TB532	404	708
TB532	405	709
TB558	413	724
TB558	416	731
TB558	419	736
TB560	200	331
TB560	201	333
TB560	202	334
TB560	203	336
TB560	204	339
TB577	51	95
TB579	164	278
TB579	234	398
TB579	235	399
TB579	236	400
TB579	236	401
TB579	237	402
TB579	239	404
TB579	240	407
TB579	241	408
TB579	250	434
TB579	251	435
TB579	251	436
TB579	252	437
TB579	253	438
TB579	254	439
TB579	255	441
TB579	256	443
TB579	256	444
TB579	258	447
TB579	259	448
TB579	259	449
TB579	260	450
TB579	260	451
TB579	261	452
TB579	262	453
TB579	263	454
TB579	264	455
TB579	265	456
TB579	266	457
TB579	267	458
TB579	267	459
TB579	268	460
TB579	268	461
TB579	269	462
TB579	269	463
TB579	270	464
TB579	271	465
TB579	272	466
TB579	272	467
TB579	273	468


		9
TB579	274	470
TB579	274	471
TB579	275	472
TB579	275	473
TB579	276	474
TB579	277	475
TB579	278	476
TB579	279	478
TB579	280	480
TB579	281	482
TB607	207	345
TB607	208	346
TB607	212	351
TB607	212	352
TB608	109	208
TB608	110	209
TB608	112	211
TB608	117	217
TB608	127	230
TB608	156	269
TB608	158	271
TB631	172	294
TB632	285	494
TB632	287	497
TB632	288	498
TB637	28	51
TB637	28	52
TB637	31	57
TB637	34	60
TB637	35	61
TB637	38	65
TB637	39	66
TB637	40	69
TB637	42	73
TB637	44	77
TB639	109	208
TB639	111	210
TB639	112	211
TB639	113	212
TB639	114	213
TB639	115	214
TB639	115	215
TB639	116	216
TB639	118	218
TB639	119	219
TB639	120	220
TB639	121	221
TB639	122	222
TB639	124	225
TB639	125	226
TB639	126	228
TB639	126	229
TB639	128	231
TB639	128	232
TB639	129	233
TB639	130	235
TB639	131	236
TB639	132	237
TB639	135	243
TB639	135	244


		9
TB639	136	246
TB639	137	247
TB639	139	250
TB639	141	253
TB639	142	254
TB639	143	255
TB639	144	256
TB639	145	257
TB639	157	270
TB639	159	272
TB639	160	273
TB639	161	274
TB639	162	275
TB639	163	276
TB639	164	277
TB639	169	289
TB639	170	290
TB649	24	47
TB649	25	48
TB649	26	49
TB649	27	50
TB649	29	53
TB649	29	54
TB649	30	55
TB649	30	56
TB649	32	58
TB649	33	59
TB649	37	63
TB660	24	47
TB660	25	48
TB660	26	49
TB660	27	50
TB660	29	53
TB660	30	56
TB660	38	64
TB676	16	36
TB676	17	37
TB676	18	38
TB676	19	39
TB676	20	40
TB676	21	41
TB676	64	124
TB676	66	128
TB678	291	504
TB678	291	505
TB683	282	485
TB683	282	486
TB683	283	487
TB701	385	672
TB701	386	674
TB701	387	675
TB701	420	737
TB703	78	160
TB720	284	490
TB720	284	491
TB720	286	495
TB720	286	496
TB723	332	580
TB723	333	582
TB723	334	585


		9
TB723	335	586
TB724	47	86
TB725	123	223
TB725	124	224
TB725	132	238
TB725	133	239
TB725	134	241
TB725	164	278
TB725	165	279
TB725	165	281
TB725	166	282
TB727	329	570
TB727	329	572
TB732	209	348
TB741	89	182
TB742	281	483
TB742	283	489
TB742	284	492
TB742	285	493
TB787	23	45
TB787	29	54
TB787	30	55
TB787	32	58
TB787	33	59
TB787	36	62
TB787	37	63
TB787	43	76
TB790	133	240
TB790	134	241
TB790	136	245
TB790	138	248
TB790	139	249
TB790	140	251
TB790	166	284
TB790	167	285
TB790	167	286
TB790	168	287
TB790	168	288
TBK006	2	1
TBK006	2	2
TBK006	3	3
TBK006	15	35
TBK006	16	36
TBK006	17	37
TBK006	18	38
TBK006	19	39
TBK006	20	40
TBK006	21	41
TBK006	64	124
TBK006	66	128
TBK010	199	330
TBK010	294	510
TBK010	296	514
TBK010	296	515
TBK020	200	331
TBK020	201	333
TBK020	202	334
TBK020	203	336
TBK020	204	339
TBK027	82	168


NUMERICAL PARTS LIST


Nummerische Teilenummernliste • Elenco riferimenti
Liste des références produits


 9		
TBK027	82	169
TBK027	83	170
TBK027	83	171
TBK027	84	172
TBK027	85	173
TBK027	85	174
TBK027	86	175
TBK027	87	178
TBK027	310	538
TBK027	311	539
TBK027	311	540
TBK027	312	541
TBK027	312	542
TBK027	313	543
TBK027	313	544
TBK027	314	545
TBK027	314	546
TBK027	315	547
TBK027	321	558
TBK027	322	559
TBK027	323	560
TBK027	324	561
TBK027	325	562
TBK035	288	499
TBK035	289	500
TBK037	388	676
TBK037	390	679
TBK037	394	684
TBK037	416	731
TBK039	385	672
TBK039	386	674
TBK039	387	675
TBK039	420	737
TBK040	172	295
TBK040	174	299
TBK040	175	300
TBK040	176	301
TBK040	177	302
TBK040	178	303
TBK040	179	304
TBK045	345	612
TBK045	350	618
TBK045	359	631
TBK045	390	679
TBK045	394	684
TBK063	355	624
TBK063	357	626
TBK065	183	311
TBK065	184	312
TBK065	185	313
TBK065	186	314
TBK065	187	315
TBK065	188	316
TBK065	194	323
TBK065	195	324
TBK065	196	325
TBK065	197	326
TBK085	24	47
TBK085	25	48
TBK085	26	49


 9		
TBK085	27	50
TBK085	29	53
TBK085	30	56
TBK085	38	64
TBK089	88	180
TBK089	89	181
TBK089	315	548
TBK089	317	551
TBK089	317	552
TBK089	318	553
TBK089	319	555
TBK089	319	556
TBK089	320	557
TBK094	110	209
TBK094	117	217
TBK094	127	230
TBK102	413	724
TBK102	416	731
TBK102	419	736
TBK104	109	208
TBK104	112	211
TBK104	129	233
TBK104	141	253
TBK104	157	270
TBK104	159	272
TBK104	160	273
TBK104	161	274
TBK104	162	275
TBK104	163	276
TBK104	164	277
TBK104	169	289
TBK104	170	290
TBK105	172	294
TBK106	285	494
TBK106	287	497
TBK113	295	512
TBK118	234	398
TBK118	235	399
TBK118	236	401
TBK118	237	402
TBK118	238	403
TBK118	239	404
TBK118	239	405
TBK118	240	406
TBK118	240	407
TBK118	241	408
TBK118	241	409
TBK118	242	410
TBK118	254	440
TBK118	255	441
TBK118	259	448
TBK118	259	449
TBK118	267	458
TBK118	268	460
TBK118	269	463
TBK118	272	466
TBK118	273	469
TBK118	274	470
TBK118	274	471
TBK118	275	472


 9		
TBK118	275	473
TBK207	93	189
TBK207	94	190
TBK207	95	191
TBK207	96	193
TBK274	287	497
TBK274	288	498
TBK277	24	47
TBK277	25	48
TBK277	26	49
TBK277	27	50
TBK277	29	53
TBK277	29	54
TBK277	30	55
TBK277	30	56
TBK277	32	58
TBK277	33	59
TBK277	37	63
TBK279	282	485
TBK279	282	486
TBK279	283	487
TBK283	109	208
TBK283	111	210
TBK283	112	211
TBK283	113	212
TBK283	114	213
TBK283	115	214
TBK283	115	215
TBK283	116	216
TBK283	118	218
TBK283	119	219
TBK283	120	220
TBK283	121	221
TBK283	122	222
TBK283	124	225
TBK283	126	228
TBK283	126	229
TBK283	128	231
TBK283	128	232
TBK283	129	233
TBK283	130	235
TBK283	131	236
TBK283	132	237
TBK283	135	244
TBK283	137	247
TBK283	139	250
TBK283	142	254
TBK283	143	255
TBK283	144	256
TBK287	70	139
TBK287	71	140
TBK287	219	364
TBK287	221	368
TBK287	222	369
TBK287	222	370
TBK287	232	393
TBK287	325	563
TBK287	326	564
TBK287	326	565
TBK287	327	566

 9		
TBK300	90	184
TBK300	91	185
TBK300	91	186
TBK303	291	504
TBK303	291	505
TBK306	133	240
TBK306	134	241
TBK306	136	245
TBK306	138	248
TBK306	139	249
TBK306	140	251
TBK313	28	51
TBK313	28	52
TBK313	31	57
TBK313	34	60
TBK313	35	61
TBK313	38	65
TBK313	39	66
TBK313	40	69
TBK313	42	73
TBK313	44	77
TBK314	16	36
TBK314	17	37
TBK314	18	38
TBK314	19	39
TBK314	20	40
TBK314	21	41
TBK314	64	124
TBK314	66	128
TBK338	281	483
TBK338	283	489
TBK338	284	492
TBK338	285	493
TBK344	293	509
TBK344	295	513
TBK345	93	189
TBK345	94	190
TBK345	95	192
TBK345	96	193
TBK345	101	198
TBK345	102	199
TBK345	106	204
TBK350	123	223
TBK350	124	224
TBK350	132	238
TBK350	133	239
TBK350	134	241
TBK352	109	208
TBK352	112	211
TBK352	127	230
TBK352	156	269
TBK352	158	271
TBK355	291	504
TBK355	291	505
TBK356	98	195
TBK356	99	196
TBK356	100	197
TBK356	105	203
TBK356	108	206
TBK356	108	207

			9
TBK356	208	346	
TBK356	209	348	
TBK356	210	349	
TBK356	211	350	
TBK356	212	351	
TBK356	212	352	
V3251	59	115	
V3252	59	115	
V34457	4	5	
V34457	4	6	
V34457	5	8	
V34457	5	9	
V34457	6	10	
V34457	6	11	
V34457	8	16	
V34457	9	17	
V34457	9	20	
V34459	331	576	
V34460	331	576	
V34496	60	118	
V34496	61	119	
V34496	61	120	
V34496	62	121	
V34496	62	122	
V34496	63	123	
V34496	64	124	
V34496	65	125	
V34496	292	506	
V34496	292	507	
V34496	298	519	
V34496	298	520	
V34496	300	522	
V34496	301	523	
V34496	301	524	
V34496	302	525	
V34496	302	526	
V34496	303	527	
V34496	303	528	
V34496	304	529	
V34496	305	530	
V34496	305	531	
V34496	306	532	
V34496	307	533	
V34496	308	534	
V34496	309	535	
V34496	309	536	
V34496	310	538	
V34496	311	539	
V34654	8	16	
V90064	47	88	
V90064	48	89	
V90064	48	90	
V90064	54	101	
V90070	72	145	
V90070	72	146	
V90070	73	148	
V90070	74	151	
V90070	223	373	
V90070	224	374	
V90070	224	375	


			9
V90070	225	376	
V90070	226	378	
V90070	229	385	
V90070	229	386	
V90070	230	389	
V90070	231	390	
V90070	231	391	
V90070	233	395	
V90070	233	396	
V90070	247	429	
V90070	249	433	
V90070	250	434	
V90070	251	435	
V90070	253	438	
V90070	257	445	
V90070	258	447	
V90070	262	453	
V90070	263	454	
V90070	264	455	
V90070	265	456	
V90070	266	457	
V90070	267	458	
V90070	267	459	
V90070	270	464	
V90071	60	118	
V90071	61	119	
V90071	61	120	
V90071	62	121	
V90071	62	122	
V90071	63	123	
V90071	64	124	
V90071	65	125	
V90071	83	170	
V90071	83	171	
V90071	84	172	
V90071	85	173	
V90071	85	174	
V90071	87	178	
V90071	292	506	
V90071	292	507	
V90071	298	519	
V90071	298	520	
V90071	300	522	
V90071	301	523	
V90071	302	526	
V90071	321	558	
V90071	322	559	
V90071	323	560	
V90071	324	561	
V90071	325	562	
V90388	56	107	
V90388	57	108	
V90388	57	109	
V90388	57	110	
V90388	58	112	
V90388	71	142	
V90388	74	152	
V90388	75	154	
V90388	75	155	
V90388	76	157	


			9
V90392	67	130	
V90392	68	133	
V90392	69	136	
V90392	70	138	
V90392	71	141	
V90392	218	362	
V90392	220	365	
V90397	305	531	
V90397	308	534	
V90397	309	535	
V90397	309	536	
V90398	48	89	
V90398	48	90	
V90398	49	93	
V90398	53	98	
V90398	53	100	
V90398	54	101	
V90398	65	126	
V90398	66	127	
V90398	299	521	
V90399	47	88	
V90399	48	89	
V90399	48	90	
V90399	49	93	
V90399	53	98	
V90399	53	100	
V90399	54	101	
V90399	65	126	
V90399	66	127	
V90399	299	521	
V90402	331	577	
V90402	354	622	
V90402	354	623	
V90402	358	628	
V90402	358	629	
V90402	359	630	
V90402	359	631	
V90404	331	577	
V90404	354	622	
V90404	354	623	
V90404	357	627	
V90404	358	628	
V90404	358	629	
V90404	359	630	
V90404	359	631	
V91144	171	292	
V91144	172	294	
V91144	200	331	
V91144	201	333	
V91144	202	334	
V91144	203	336	
V91144	204	339	
V91145	171	292	
V91145	172	294	
V91145	200	331	
V91145	201	333	
V91145	202	334	
V91145	203	336	
V91145	204	339	
V91271	46	85	


			9
V91273	46	85	
V91275	199	330	
V91277	199	330	
V91282	4	5	
V91282	4	6	
V91282	5	8	
V91282	5	9	
V91282	6	10	
V91282	6	11	
V91282	7	13	
V91282	7	14	
V91282	8	15	
V91282	9	17	
V91286	2	1	
V91286	2	2	
V91286	3	3	
V91287	2	1	
V91287	2	2	
V91287	3	3	
V91288	15	35	
V91288	16	36	
V91288	17	37	
V91288	20	40	
V91288	22	43	
V91288	24	47	
V91288	27	50	
V91288	38	64	
V91289	15	35	
V91289	16	36	
V91289	17	37	
V91289	18	38	
V91289	19	39	
V91289	20	40	
V91289	21	41	
V91289	22	43	
V91289	24	47	
V91289	25	48	
V91289	26	49	
V91289	27	50	
V91289	30	56	
V91289	32	58	
V91289	33	59	
V91289	37	63	
V91289	38	64	
V91290	229	386	
V91290	230	389	
V91290	231	390	
V91290	231	391	
V91290	234	398	
V91290	235	399	
V91290	236	401	
V91290	237	402	
V91290	238	403	
V91290	239	404	
V91290	239	405	
V91290	240	406	
V91290	241	408	
V91290	241	409	
V91290	242	410	
V91290	242	411	


NUMERICAL PARTS LIST


Numerische Teilenummernliste • Elenco riferimenti
Liste des références produits


		9
V91290	249	433
V91290	250	434
V91290	251	435
V91290	253	438
V91290	258	447
V91290	259	448
V91290	259	449
V91290	260	450
V91290	262	453
V91290	263	454
V91290	264	455
V91290	265	456
V91290	266	457
V91290	267	458
V91290	267	459
V91290	269	462
V91290	269	463
V91290	270	464
V91290	274	470
V91290	274	471
V91290	280	480
V91291	183	311
V91291	184	312
V91291	186	314
V91291	187	315
V91291	188	316
V91291	188	317
V91291	192	321
V91291	193	322
V91291	194	323
V91291	195	324
V91291	196	325
V91291	197	326
V91292	345	612
V91292	346	613
V91292	347	614
V91292	348	615
V91292	348	616
V91292	349	617
V91292	350	618
V91292	351	619
V91292	352	620
V91292	353	621
V91292	354	622
V91292	355	624
V91292	356	625
V91292	357	626
V91292	357	627
V91292	358	628
V91292	358	629
V91292	359	630
V91292	359	631
V91292	360	632
V91292	361	633
V91292	362	634
V91292	365	639
V91292	366	640
V91292	367	641
V91292	368	642
V91292	368	643


		9
V91292	369	644
V91292	369	645
V91292	370	646
V91292	370	647
V91292	371	648
V91292	371	649
V91292	372	650
V91292	372	651
V91292	373	652
V91292	374	653
V91292	374	654
V91292	375	655
V91292	375	656
V91292	376	657
V91292	376	658
V91292	377	659
V91292	378	660
V91292	379	661
V91292	380	664
V91292	381	665
V91292	381	666
V91292	382	667
V91292	383	668
V91292	385	672
V91292	385	673
V91292	386	674
V91292	387	675
V91292	388	676
V91292	390	679
V91292	391	680
V91292	392	681
V91292	393	682
V91292	394	683
V91292	405	710
V91292	406	711
V91292	407	712
V91292	408	713
V91292	409	715
V91292	409	716
V91292	410	717
V91292	413	724
V91292	414	725
V91292	414	726
V91292	415	727
V91292	416	731
V91292	417	732
V91292	419	736
V91293	345	612
V91293	346	613
V91293	347	614
V91293	348	615
V91293	348	616
V91293	349	617
V91293	349	618
V91293	350	618
V91293	351	619
V91293	352	620
V91293	353	621
V91293	354	622
V91293	355	624
V91293	356	625


		9
V91293	357	626
V91293	357	627
V91293	358	628
V91293	358	629
V91293	359	630
V91293	359	631
V91293	360	632
V91293	361	633
V91293	362	634
V91293	365	639
V91293	366	640
V91293	367	641
V91293	368	642
V91293	368	643
V91293	369	645
V91293	370	646
V91293	371	648
V91293	371	649
V91293	372	650
V91293	372	651
V91293	373	652
V91293	374	653
V91293	374	654
V91293	375	655
V91293	375	656
V91293	376	657
V91293	376	658
V91293	377	659
V91293	378	660
V91293	379	661
V91293	380	664
V91293	381	665
V91293	381	666
V91293	382	667
V91293	383	668
V91293	385	672
V91293	385	673
V91293	386	674
V91293	387	675
V91293	388	676
V91293	390	679
V91293	391	680
V91293	392	681
V91293	393	682
V91293	394	683
V91294	345	612
V91294	346	613
V91294	347	614
V91294	348	615
V91294	348	616
V91294	349	617
V91294	350	618
V91294	351	619
V91294	352	620
V91294	353	621
V91294	355	624
V91294	356	625
V91294	357	626
V91294	360	632
V91294	361	633

		9
V91294	362	634
V91294	366	640
V91294	367	641
V91294	368	642
V91294	368	643
V91294	369	644
V91294	370	647
V91294	372	650
V91294	372	651
V91294	373	652
V91294	374	653
V91294	374	654
V91294	375	655
V91294	375	656
V91294	376	658
V91294	378	660
V91294	379	661
V91294	380	664
V91294	381	665
V91294	381	666
V91294	382	667
V91294	383	668
V91294	385	672
V91294	385	673
V91294	386	674
V91294	387	675
V91294	388	676
V91294	390	679
V91294	391	680
V91294	392	681
V91294	393	682
V91294	394	683
V91295	173	296
V91295	174	299
V91295	175	300
V91295	176	301
V91295	177	302
V91295	178	303
V91295	179	304
V91295	180	306
V91295	181	307
V91295	185	313
V91295	189	318
V91295	190	319
V91295	191	320
V91300	83	170
V91300	83	171
V91300	84	172
V91300	85	173
V91300	85	174
V91300	87	178
V91300	312	541
V91300	312	542
V91300	313	543
V91300	314	546
V91300	321	558
V91300	322	559
V91301	420	738
V91302	420	738
V91304	420	738

		9
V91305	55	105
V91305	234	398
V91305	235	399
V91305	236	401
V91305	237	402
V91305	239	404
V91305	239	405
V91305	241	408
V91305	242	410
V91306	315	547
V91306	323	560
V91306	324	561
V91306	325	562
V91307	81	166
V91307	81	167
V91307	82	168
V91307	82	169
V91307	86	175
V91308	213	353
V91308	216	358
V91308	217	359
V91308	243	412
V91308	245	422
V91308	280	481
V91321	183	311
V91321	184	312
V91321	186	314
V91321	187	315
V91321	188	316
V91321	188	317
V91321	192	321
V91321	193	322
V91321	194	323
V91321	195	324
V91321	196	325
V91321	197	326
V91392	173	296
V91392	174	299
V91392	175	300
V91392	176	301
V91392	177	302
V91392	178	303
V91392	179	304
V91392	179	305
V91392	180	306
V91392	181	307
V91392	183	311
V91392	184	312
V91392	185	313
V91392	186	314
V91392	187	315
V91392	188	316
V91392	188	317
V91392	189	318
V91392	190	319
V91392	191	320
V91392	192	321
V91392	193	322
V91392	194	323
V91392	195	324


		9
V91394	55	105
V91394	227	380
V91394	227	381
V91394	229	386
V91394	230	389
V91394	231	390
V91394	231	391
V91394	247	427
V91394	248	430
V91394	249	433
V91394	250	434
V91394	251	435
V91394	252	437
V91394	253	438
V91394	255	441
V91394	258	447
V91394	259	448
V91394	259	449
V91394	260	450
V91394	262	453
V91394	263	454
V91394	264	455
V91394	265	456
V91394	266	457
V91394	267	458
V91394	267	459
V91394	269	462
V91394	269	463
V91394	270	464
V91394	274	470
V91394	274	471
V91394	280	480
V91399	363	635
V91399	363	636
V91399	364	637
V91399	364	638
V91399	369	645
V91399	370	646
V91399	384	671
V91400	363	635
V91400	363	636
V91400	364	637
V91400	364	638
V91400	369	645
V91400	370	646
V91400	384	671
V91437	332	579
V91437	341	604
V91437	341	605
V91437	342	606
V91437	342	607
V91437	343	608
V91437	343	609
V91437	344	610
V91437	344	611
V91438	332	579
V91438	341	604
V91438	341	605
V91438	342	606
V91438	342	607


		9
V91438	343	608
V91438	343	609
V91438	344	610
V91438	344	611
V91614	69	137
V91614	219	364
V91614	221	367
V91615	69	137
V91615	219	363
V91615	219	364
V91621	325	563
V91621	326	564
V91622	328	568
V91622	328	569
V91623	328	568
V91623	328	569
V91627	221	367
V91629	68	132
V91629	70	139
V91629	71	140
V91629	217	360
V91629	218	361
V91629	220	366
V91629	221	368
V91629	222	369
V91629	222	370
V91629	232	393
V91629	325	563
V91629	326	564
V91629	326	565
V91629	327	566
V91630	68	132
V91630	70	139
V91630	71	140
V91630	217	360
V91630	218	361
V91630	220	366
V91630	221	368
V91630	222	369
V91630	222	370
V91630	232	393
V91630	326	565
V91630	327	566
V91633	10	21
V91636	55	105
V91636	229	386
V91636	230	389
V91636	231	390
V91636	231	391
V91636	247	427
V91636	248	430
V91636	249	433
V91636	250	434
V91636	251	435
V91636	252	437
V91636	253	438
V91636	255	441
V91636	258	447
V91636	262	453
V91636	263	454


		9
V91636	264	455
V91636	265	456
V91636	266	457
V91636	267	458
V91636	267	459
V91636	270	464
V91638	236	400
V91638	238	403
V91638	240	406
V91638	241	409
V91638	242	411
V91638	254	439
V91638	271	465
V91638	272	466
V91638	272	467
V91638	277	475
V91638	278	476
V91652	50	94
V91652	51	95
V91652	52	96
V91653	50	94
V91653	51	95
V91653	52	96
V91655	56	106
V91658	182	310
V91659	182	310
V91667	421	740
V91667	421	741
V91676	421	739
V91676	421	741
V91677	420	738
V91677	421	739
V91678	420	738
V91678	421	739
V91679	420	738
V91709	420	738
V91709	421	740
V91712	10	21
V91712	54	102
V91712	55	103
V91712	80	164
V91713	60	118
V91713	61	119
V91713	61	120
V91713	62	121
V91713	62	122
V91713	63	123
V91713	64	124
V91713	65	125
V91713	83	170
V91713	83	171
V91713	84	172
V91713	85	173
V91713	85	174
V91713	87	178
V91713	292	506
V91713	292	507
V91713	298	519
V91713	298	520
V91713	300	522


NUMERICAL PARTS LIST


Numerische Teilenummernliste • Elenco riferimenti
Liste des références produits


 9		
V91713	301	523
V91713	301	524
V91713	302	525
V91713	302	526
V91713	315	547
V91713	321	558
V91713	322	559
V91713	323	560
V91713	324	561
V91713	325	562
V91714	72	146
V91714	73	148
V91714	74	151
V91714	223	373
V91714	224	374
V91714	224	375
V91714	225	376
V91714	226	378
V91714	229	385
V91714	233	395
V91714	233	396
V91714	247	429
V91714	257	445
V91739	10	21
V91739	46	83
V91739	54	102
V91739	80	164
V91762	303	527
V91762	303	528
V91762	304	529
V91762	305	530
V91762	305	531
V91762	306	532
V91762	307	533
V91762	308	534
V91762	309	535
V91762	309	536
V91762	310	538
V91762	311	539
V91762	312	541
V91762	312	542
V91762	313	543
V91762	314	546
V91763	50	94
V91763	51	95
V91763	52	96
V91764	50	94
V91764	51	95
V91764	52	96
V91765	55	104
V91765	55	105
V91765	224	374
V91765	227	380
V91765	227	381
V91765	229	386
V91765	230	389
V91765	231	390
V91765	231	391
V91765	234	398
V91765	235	399


 9		
V91765	247	427
V91765	248	430
V91765	249	433
V91765	250	434
V91765	251	435
V91765	252	437
V91765	253	438
V91765	255	441
V91765	258	447
V91765	262	453
V91765	263	454
V91765	264	455
V91765	265	456
V91765	266	457
V91765	267	458
V91765	267	459
V91765	270	464
V91766	6	11
V91766	7	13
V91766	9	20
V91767	173	296
V91767	174	299
V91767	175	300
V91767	176	301
V91767	177	302
V91767	178	303
V91767	179	304
V91767	179	305
V91767	180	306
V91767	181	307
V91767	185	313
V91767	189	318
V91767	190	319
V91767	191	320
V91927	90	184
V91927	91	185
V91927	91	186
V91928	90	184
V91928	91	185
V91928	91	186
V91929	18	38
V91929	19	39
V91929	21	41
V91929	25	48
V91929	26	49
V91929	30	56
V91929	32	58
V91929	33	59
V91929	37	63
V91931	92	187
V91931	95	191
V91931	146	258
V91931	147	259
V91931	148	260
V91931	153	266
V91932	92	187
V91932	95	191
V91932	146	258
V91932	147	259
V91932	148	260


 9		
V91932	153	266
V91933	93	189
V91933	94	190
V91933	95	192
V91933	96	193
V91933	97	194
V91933	98	195
V91933	99	196
V91933	100	197
V91933	101	198
V91933	102	199
V91933	103	200
V91933	104	201
V91933	105	203
V91933	106	204
V91933	107	205
V91933	108	206
V91933	149	261
V91933	150	262
V91933	151	263
V91933	151	264
V91933	152	265
V91933	154	267
V91933	155	268
V91933	206	343
V91933	206	344
V91933	207	345
V91933	208	346
V91933	209	348
V91933	210	349
V91933	211	350
V91933	212	351
V91933	213	354
V91933	214	355
V91933	215	356
V91933	216	357
V91934	93	189
V91934	94	190
V91934	95	192
V91934	96	193
V91934	97	194
V91934	98	195
V91934	99	196
V91934	100	197
V91934	101	198
V91934	102	199
V91934	103	200
V91934	104	201
V91934	105	203
V91934	106	204
V91934	107	205
V91934	108	206
V91934	149	261
V91934	150	262
V91934	151	263
V91934	151	264
V91934	152	265
V91934	154	267
V91934	155	268
V91934	206	343

 9		
V91934	206	344
V91934	207	345
V91934	208	346
V91934	209	348
V91934	210	349
V91934	211	350
V91934	212	351
V91934	213	354
V91934	214	355
V91934	215	356
V91934	216	357
V91935	236	400
V91935	254	439
V91935	256	443
V91935	256	444
V91935	260	451
V91935	261	452
V91935	268	460
V91935	268	461
V91935	271	465
V91935	272	466
V91935	272	467
V91935	276	474
V91935	277	475
V91935	278	476
V91935	279	478
V91935	281	482
V91936	256	443
V91936	256	444
V91936	260	451
V91936	261	452
V91936	268	460
V91936	268	461
V91936	276	474
V91936	279	478
V91936	281	482
V91937	109	208
V91937	110	209
V91937	156	269
V91937	158	271
V91938	109	208
V91938	110	209
V91938	156	269
V91938	158	271
V91939	365	639
V91939	371	648
V91939	371	649
V91939	376	657
V91939	377	659
V91939	379	662
V91939	380	663
V91939	389	677
V91939	410	718
V91939	411	719
V91939	411	720
V91939	412	721
V91939	413	723
V91939	417	733
V91939	418	734
V91939	418	735

			9
V91939	420	737	
V91940	365	639	
V91940	371	648	
V91940	371	649	
V91940	376	657	
V91940	377	659	
V91940	379	662	
V91940	380	663	
V91940	389	677	
V91940	410	718	
V91940	411	719	
V91940	411	720	
V91940	412	721	
V91940	413	723	
V91940	417	733	
V91940	418	734	
V91940	418	735	
V91940	420	737	
V91949	88	180	
V91949	89	181	
V91949	315	548	
V91949	317	551	
V91949	317	552	
V91949	318	553	
V91949	319	555	
V91949	319	556	
V91949	320	557	
V91950	88	180	
V91950	89	181	
V91950	315	548	
V91950	317	551	
V91950	317	552	
V91950	318	553	
V91950	319	555	
V91950	319	556	
V91950	320	557	
V91970	293	509	
V91970	294	510	
V91970	295	513	
V91970	330	574	
V91970	330	575	
V91971	296	514	
V91972	293	509	
V91972	294	510	
V91972	295	513	
V91972	296	514	
V91972	330	574	
V91972	330	575	
V91994	365	639	
V91994	371	648	
V91994	371	649	
V91994	376	657	
V91994	377	659	
V91994	405	710	
V91994	406	711	
V91994	407	712	
V91994	408	713	
V91994	409	715	
V91994	409	716	
V91994	410	717	


			9
V91994	413	724	
V91994	414	725	
V91994	414	726	
V91994	415	727	
V91994	416	731	
V91994	417	732	
V91994	418	734	
V91994	418	735	
V91994	419	736	
V91994	420	737	
V94017	200	331	
V94017	203	336	
V94024	201	333	
V94024	202	334	
V94024	204	339	
V94029	28	51	
V94029	28	52	
V94029	29	53	
V94029	31	57	
V94029	34	60	
V94029	35	61	
V94029	39	66	
V94029	44	77	
V94030	28	51	
V94030	28	52	
V94030	29	53	
V94030	31	57	
V94030	34	60	
V94030	35	61	
V94030	39	66	
V94030	44	77	
V94064	111	210	
V94064	112	211	
V94064	114	213	
V94064	116	216	
V94064	117	217	
V94064	118	218	
V94064	122	222	
V94064	127	230	
V94064	130	235	
V94064	131	236	
V94064	141	253	
V94064	142	254	
V94064	143	255	
V94064	157	270	
V94064	159	272	
V94064	160	273	
V94064	161	274	
V94064	162	275	
V94064	163	276	
V94064	164	277	
V94064	166	279	
V94064	170	290	
V94064	171	291	
V94065	111	210	
V94065	112	211	
V94065	114	213	
V94065	116	216	
V94065	117	217	
V94065	118	218	


			9
V94065	122	222	
V94065	127	230	
V94065	130	235	
V94065	131	236	
V94065	132	237	
V94065	136	246	
V94065	141	253	
V94065	142	254	
V94065	143	255	
V94065	157	270	
V94065	159	272	
V94065	160	273	
V94065	161	274	
V94065	162	275	
V94065	163	276	
V94065	164	277	
V94065	169	289	
V94065	170	290	
V94065	171	291	
V94154	171	292	
V94154	172	294	
V94154	201	333	
V94154	202	334	
V94154	204	339	
V94169	288	499	
V94169	289	500	
V94170	288	499	
V94170	289	500	
V94175	295	512	
V94176	295	512	
V94178	285	494	
V94178	287	497	
V94179	285	494	
V94179	287	497	
V94198	329	570	
V94199	329	570	
V94200	282	485	
V94200	282	486	
V94201	282	485	
V94201	282	486	
V94210	338	597	
V94210	339	598	
V94210	339	599	
V94211	338	597	
V94211	339	598	
V94211	339	599	
V94216	18	38	
V94216	19	39	
V94438	284	490	
V94438	286	495	
V94438	286	496	
V94468	88	180	
V94468	89	181	
V94468	315	548	
V94468	317	551	
V94468	317	552	
V94468	318	553	
V94468	319	555	
V94468	319	556	
V94468	320	557	


			9
V94470	111	210	
V94470	112	211	
V94470	113	212	
V94470	114	213	
V94470	115	214	
V94470	116	216	
V94470	117	217	
V94470	118	218	
V94470	120	220	
V94470	121	221	
V94470	122	222	
V94470	124	225	
V94470	125	226	
V94470	127	230	
V94470	130	235	
V94470	131	236	
V94470	132	237	
V94470	135	244	
V94470	136	246	
V94470	141	253	
V94470	142	254	
V94470	143	255	
V94470	144	256	
V94470	145	257	
V94470	157	270	
V94470	159	272	
V94470	160	273	
V94470	161	274	
V94470	162	275	
V94470	163	276	
V94470	164	277	
V94470	169	289	
V94470	170	290	
V94470	171	291	
V94471	111	210	
V94471	112	211	
V94471	113	212	
V94471	114	213	
V94471	115	214	
V94471	116	216	
V94471	117	217	
V94471	118	218	
V94471	120	220	
V94471	121	221	
V94471	122	222	
V94471	124	225	
V94471	125	226	
V94471	127	230	
V94471	130	235	
V94471	131	236	
V94471	132	237	
V94471	135	244	
V94471	136	246	
V94471	141	253	
V94471	142	254	
V94471	143	255	
V94471	144	256	
V94471	145	257	
V94471	157	270	
V94471	159	272	


NUMERICAL PARTS LIST


Numerische Teilenummernliste • Elenco riferimenti
Liste des références produits


 9		
V94471	160	273
V94471	161	274
V94471	162	275
V94471	163	276
V94471	164	277
V94471	169	289
V94471	170	290
V94471	171	291
V94486	284	490
V94486	286	495
V94486	286	496
V94487	284	490
V94487	286	495
V94487	286	496
V94490	291	505
V94491	291	505
V94576	4	5
V94576	4	6
V94576	7	13
V94576	7	14
V94576	8	15
V94582	97	194
V94582	98	195
V94582	99	196
V94582	100	197
V94582	101	198
V94582	102	199
V94582	103	200
V94582	104	201
V94582	103	200
V94582	104	201
V94582	213	354
V94582	214	355
V94582	215	356
V94582	216	357
V94588	123	223
V94588	124	224
V94588	133	240
V94588	134	241
V94588	137	247
V94588	138	248
V94588	139	249
V94588	167	286
V94588	168	287
V94589	123	223
V94589	124	224
V94589	133	240
V94589	134	241
V94589	137	247
V94589	138	248
V94589	139	249
V94589	167	286
V94589	168	287
V94590	111	210
V94590	112	211
V94590	113	212
V94590	114	213
V94590	116	216
V94590	117	217
V94590	118	218
V94590	122	222
V94590	127	230


 9		
V94590	130	235
V94590	131	236
V94590	142	254
V94590	143	255
V94590	144	256
V94590	157	270
V94590	159	272
V94590	160	273
V94590	161	274
V94590	162	275
V94590	163	276
V94590	164	277
V94590	169	289
V94590	170	290
V94590	171	291
V94591	93	189
V94591	94	190
V94591	95	192
V94591	96	193
V94591	97	194
V94591	98	195
V94591	99	196
V94591	100	197
V94591	101	198
V94591	102	199
V94591	103	200
V94591	104	201
V94591	105	203
V94591	106	204
V94591	107	205
V94591	108	206
V94591	206	343
V94591	206	344
V94591	207	345
V94591	208	346
V94591	209	348
V94591	210	349
V94591	211	350
V94591	212	351
V94591	213	354
V94591	214	355
V94591	215	356
V94591	216	357
V94592	332	580
V94592	333	582
V94592	334	583
V94592	334	584
V94592	336	588
V94593	332	580
V94593	333	582
V94593	334	583
V94593	334	584
V94593	336	588
V94593	336	590
V94732	246	423
V94793	80	165
V94795	80	165
V94962	293	508
V94962	297	517
V94962	297	518


 9		
V94963	293	508
V94963	297	517
V94963	297	518
V95007	58	111
V95008	58	111
V95015	10	22
V95015	12	26
V95015	13	28
V95016	10	22
V95016	12	26
V95016	13	28
V95083	290	502
V95083	290	503
V95084	290	502
V95084	290	503
V98001	329	573
V98002	329	573
V98003	293	508
V98003	297	518
V98004	293	508
V98004	297	518
V98005	123	223
V98005	133	240
V98005	134	241
V98005	137	247
V98005	138	248
V98005	139	249
V98005	167	286
V98005	168	287
V98006	123	223
V98006	133	240
V98006	134	241
V98006	137	247
V98006	138	248
V98006	139	249
V98006	167	286
V98006	168	287
V98018	332	580
V98018	333	582
V98018	334	583
V98018	334	584
V98018	336	588
V98019	332	580
V98019	333	582
V98019	334	583
V98019	334	584
V98019	336	588
V98020	20	40
V98020	32	58
V98020	33	59
V98020	37	63
V98021	20	40
V98021	32	58
V98021	33	59
V98021	37	63
V98022	23	45
V98022	36	62
V98022	43	76
V98023	23	45
V98023	36	62

 9		
V98023	43	76
V98024	89	182
V98025	89	182
V98026	34	60
V98026	35	61
V98026	39	66
V98026	41	70
V98026	42	73
V98026	42	75
V98026	44	77
V98026	44	78
V98026	45	80
V98027	34	60
V98027	35	61
V98027	39	66
V98027	42	73
V98027	44	77
V98028	297	516
V98029	297	516
V98042	421	742
V98042	422	743
V98042	423	746
V98043	421	742
V98043	422	743
V98043	423	746
VAG586	59	115
VAG701	59	115
VAG50895	6	11
VAG50895	7	13
VAG50895	7	14
VAG50895	8	15
VAG50895	9	20
VAG50895	15	35
VAG50895	16	36
VAG50895	17	37
VAG50895	18	38
VAG50895	19	39
VAG50895	20	40
VAG50895	22	43
VAG50895	24	47
VAG50895	25	48
VAG50895	26	49
VAG50895	27	50
VAG50895	30	56
VAG50895	38	64
VAG50895	88	180
VAG50895	89	181
VAG50895	105	203
VAG50895	106	204
VAG50895	107	205
VAG50895	108	206
VAG51007	331	576
VAG51023B	72	145
VAG51023B	72	146
VAG51023B	73	148
VAG51023B	74	151
VAG51023B	223	373
VAG51023B	225	376
VAG51023B	226	378
VAG51023B	229	385

		9
VAG51023B	233	395
VAG51023B	233	396
VAG51023B	257	445
VAG92168B	56	107
VAG92168B	57	108
VAG92168B	57	109
VAG92168B	57	110
VAG92168B	58	112
VAG92168B	71	142
VAG92168B	74	152
VAG92168B	75	154
VAG92168B	75	155
VAG92168B	76	157
VAG92168B	245	420
VAG92168B	246	423
VAG92193	331	577
VAG92193	345	612
VAG92193	346	613
VAG92193	347	614
VAG92193	348	615
VAG92193	348	616
VAG92193	349	617
VAG92193	350	618
VAG92193	351	619
VAG92193	352	620
VAG92193	353	621
VAG92193	354	623
VAG92193	355	624
VAG92193	356	625
VAG92193	357	626
VAG92193	357	627
VAG92193	358	628
VAG92193	358	629
VAG92193	359	630
VAG92193	359	631
VAG92193	360	632
VAG92193	361	633
VAG92193	362	634
VAG92193	363	635
VAG92193	363	636
VAG92193	364	637
VAG92193	364	638
VAG92193	365	639
VAG92193	366	640
VAG92193	367	641
VAG92193	368	642
VAG92193	368	643
VAG92193	369	645
VAG92193	370	646
VAG92193	371	648
VAG92193	371	649
VAG92193	372	650
VAG92193	372	651
VAG92193	373	652
VAG92193	374	653
VAG92193	374	654
VAG92193	375	655
VAG92193	375	656
VAG92193	376	657
VAG92193	376	658


		9
VAG92193	377	659
VAG92193	378	660
VAG92193	379	661
VAG92193	379	662
VAG92193	380	663
VAG92193	380	664
VAG92193	381	665
VAG92193	381	666
VAG92193	382	667
VAG92193	383	668
VAG92193	384	671
VAG92193	385	672
VAG92193	385	673
VAG92193	386	674
VAG92193	387	675
VAG92193	388	676
VAG92193	389	677
VAG92193	390	679
VAG92193	391	680
VAG92193	392	681
VAG92193	393	682
VAG92193	394	683
VAG92193	419	736
VAG92193	420	737
VAG92194	331	577
VAG92194	345	612
VAG92194	346	613
VAG92194	347	614
VAG92194	348	615
VAG92194	348	616
VAG92194	349	617
VAG92194	350	618
VAG92194	351	619
VAG92194	352	620
VAG92194	353	621
VAG92194	354	623
VAG92194	355	624
VAG92194	356	625
VAG92194	357	626
VAG92194	357	627
VAG92194	358	628
VAG92194	358	629
VAG92194	359	630
VAG92194	359	631
VAG92194	360	632
VAG92194	361	633
VAG92194	362	634
VAG92194	365	639
VAG92194	366	640
VAG92194	367	641
VAG92194	368	642
VAG92194	368	643
VAG92194	369	645
VAG92194	370	646
VAG92194	371	648
VAG92194	371	649
VAG92194	372	650
VAG92194	372	651
VAG92194	373	652
VAG92194	374	653


		9
VAG92194	374	654
VAG92194	375	655
VAG92194	375	656
VAG92194	376	657
VAG92194	376	658
VAG92194	377	659
VAG92194	378	660
VAG92194	379	661
VAG92194	379	662
VAG92194	380	663
VAG92194	380	664
VAG92194	381	665
VAG92194	381	666
VAG92194	382	667
VAG92194	383	668
VAG92194	385	672
VAG92194	385	673
VAG92194	386	674
VAG92194	387	675
VAG92194	388	676
VAG92194	389	677
VAG92194	390	679
VAG92194	391	680
VAG92194	392	681
VAG92194	393	682
VAG92194	394	683
VAG92194	419	736
VAG92194	420	737
VAG92288B	200	331
VAG92288B	201	333
VAG92288B	202	334
VAG92288B	203	336
VAG92288B	204	339
VAG92331B	201	333
VAG92331B	202	334
VAG92331B	204	339
VAG92332B	199	330
VAG92364	2	1
VAG92364	2	2
VAG92364	3	3
VAG92364	4	5
VAG92364	4	6
VAG92364	5	8
VAG92364	5	9
VAG92364	6	10
VAG92364	6	11
VAG92364	7	13
VAG92364	7	14
VAG92364	8	15
VAG92364	8	16
VAG92364	9	17
VAG92364	9	20
VAG92364	15	35
VAG92364	16	36
VAG92364	17	37
VAG92364	18	38
VAG92364	19	39
VAG92364	20	40
VAG92364	22	43
VAG92364	24	47


		9
VAG92364	25	48
VAG92364	26	49
VAG92364	27	50
VAG92364	30	56
VAG92364	32	58
VAG92364	33	59
VAG92364	37	63
VAG92364	38	64
VAG92364	88	180
VAG92364	89	181
VAG92364	315	548
VAG92364	317	551
VAG92364	317	552
VAG92364	318	553
VAG92364	319	555
VAG92364	319	556
VAG92364	320	557
VAG92366	62	121
VAG92366	62	122
VAG92366	63	123
VAG92366	65	125
VAG92366	83	170
VAG92366	83	171
VAG92366	84	172
VAG92366	85	173
VAG92366	85	174
VAG92366	87	178
VAG92366	173	296
VAG92366	174	299
VAG92366	175	300
VAG92366	176	301
VAG92366	177	302
VAG92366	178	303
VAG92366	179	304
VAG92366	179	305
VAG92366	180	306
VAG92366	181	307
VAG92366	182	310
VAG92366	183	311
VAG92366	184	312
VAG92366	185	313
VAG92366	186	314
VAG92366	187	315
VAG92366	188	316
VAG92366	188	317
VAG92366	189	318
VAG92366	190	319
VAG92366	191	320
VAG92366	192	321
VAG92366	193	322
VAG92366	194	323
VAG92366	195	324
VAG92366	292	506
VAG92366	292	507
VAG92366	298	519
VAG92366	298	520
VAG92366	300	522
VAG92366	301	523
VAG92366	301	524
VAG92366	302	525


NUMERICAL PARTS LIST


Numerische Teilenummernliste • Elenco riferimenti
Liste des références produits


 9		
VAG92366	302	526
VAG92366	303	527
VAG92366	303	528
VAG92366	304	529
VAG92366	305	530
VAG92366	305	531
VAG92366	306	532
VAG92366	307	533
VAG92366	308	534
VAG92366	309	535
VAG92366	309	536
VAG92366	310	538
VAG92366	311	539
VAG92366	312	541
VAG92366	312	542
VAG92366	313	543
VAG92366	314	546
VAG92366	315	547
VAG92366	321	558
VAG92366	322	559
VAG92366	323	560
VAG92366	324	561
VAG92366	325	562
VAG92369	49	93
VAG92369	54	101
VAG92369	345	612
VAG92369	346	613
VAG92369	347	614
VAG92369	348	615
VAG92369	348	616
VAG92369	349	617
VAG92369	350	618
VAG92369	351	619
VAG92369	352	620
VAG92369	353	621
VAG92369	354	622
VAG92369	355	624
VAG92369	356	625
VAG92369	357	626
VAG92369	357	627
VAG92369	358	628
VAG92369	358	629
VAG92369	359	630
VAG92369	359	631
VAG92369	360	632
VAG92369	360	633
VAG92369	361	633
VAG92369	362	634
VAG92369	363	635
VAG92369	363	636
VAG92369	364	637
VAG92369	364	638
VAG92369	365	639
VAG92369	366	640
VAG92369	367	641
VAG92369	368	642
VAG92369	368	643
VAG92369	369	644
VAG92369	369	645
VAG92369	370	646
VAG92369	370	647


 9		
VAG92369	371	648
VAG92369	371	649
VAG92369	372	650
VAG92369	372	651
VAG92369	373	652
VAG92369	374	653
VAG92369	374	654
VAG92369	375	655
VAG92369	375	656
VAG92369	376	657
VAG92369	376	658
VAG92369	377	659
VAG92369	378	660
VAG92369	379	661
VAG92369	379	662
VAG92369	380	663
VAG92369	380	664
VAG92369	381	665
VAG92369	381	666
VAG92369	382	667
VAG92369	383	668
VAG92369	384	671
VAG92369	385	672
VAG92369	385	673
VAG92369	386	674
VAG92369	387	675
VAG92369	388	676
VAG92369	389	677
VAG92369	390	679
VAG92369	391	680
VAG92369	392	681
VAG92369	393	682
VAG92369	394	683
VAG92369	405	710
VAG92369	406	711
VAG92369	407	712
VAG92369	408	713
VAG92369	409	715
VAG92369	409	716
VAG92369	410	717
VAG92369	410	718
VAG92369	411	719
VAG92369	411	720
VAG92369	412	721
VAG92369	413	723
VAG92369	413	724
VAG92369	414	725
VAG92369	414	726
VAG92369	417	732
VAG92369	417	733
VAG92369	418	734
VAG92369	418	735
VAG92369	419	736
VAG92369	420	737
VAG92373	345	612
VAG92373	346	613
VAG92373	347	614
VAG92373	348	615


 9		
VAG92373	348	616
VAG92373	349	617
VAG92373	350	618
VAG92373	351	619
VAG92373	352	620
VAG92373	353	621
VAG92373	354	622
VAG92373	355	624
VAG92373	356	625
VAG92373	357	626
VAG92373	357	627
VAG92373	358	628
VAG92373	358	629
VAG92373	359	630
VAG92373	359	631
VAG92373	360	632
VAG92373	361	633
VAG92373	362	634
VAG92373	363	635
VAG92373	363	636
VAG92373	364	637
VAG92373	364	638
VAG92373	365	639
VAG92373	366	640
VAG92373	367	641
VAG92373	368	642
VAG92373	368	643
VAG92373	369	644
VAG92373	369	645
VAG92373	370	646
VAG92373	370	647
VAG92373	371	648
VAG92373	371	649
VAG92373	372	650
VAG92373	372	651
VAG92373	373	652
VAG92373	374	653
VAG92373	374	654
VAG92373	375	655
VAG92373	375	656
VAG92373	376	657
VAG92373	376	658
VAG92373	377	659
VAG92373	378	660
VAG92373	379	661
VAG92373	379	662
VAG92373	380	663
VAG92373	380	664
VAG92373	381	665
VAG92373	381	666
VAG92373	382	667
VAG92373	383	668
VAG92373	384	671
VAG92373	385	672
VAG92373	385	673
VAG92373	386	674
VAG92373	387	675
VAG92373	388	676
VAG92373	389	677
VAG92373	390	679

 9		
VAG92373	391	680
VAG92373	392	681
VAG92373	393	682
VAG92373	394	683
VAG92373	405	710
VAG92373	406	711
VAG92373	407	712
VAG92373	408	713
VAG92373	409	715
VAG92373	409	716
VAG92373	410	717
VAG92373	410	718
VAG92373	411	719
VAG92373	411	720
VAG92373	412	721
VAG92373	413	723
VAG92373	413	724
VAG92373	414	725
VAG92373	414	726
VAG92373	415	727
VAG92373	416	731
VAG92373	417	732
VAG92373	417	733
VAG92373	418	734
VAG92373	418	735
VAG92373	419	736
VAG92373	420	737
VAG92401	46	85
VAG92444	345	612
VAG92444	346	613
VAG92444	347	614
VAG92444	348	615
VAG92444	348	616
VAG92444	349	617
VAG92444	350	618
VAG92444	351	619
VAG92444	352	620
VAG92444	353	621
VAG92444	354	622
VAG92444	354	623
VAG92444	355	624
VAG92444	356	625
VAG92444	357	626
VAG92444	357	627
VAG92444	358	628
VAG92444	358	629
VAG92444	359	630
VAG92444	359	631
VAG92444	360	632
VAG92444	361	633
VAG92444	362	634
VAG92444	365	639
VAG92444	366	640
VAG92444	367	641
VAG92444	368	642
VAG92444	368	643
VAG92444	369	644
VAG92444	369	645
VAG92444	370	646
VAG92444	370	647

			9
VAG92444	371	648	
VAG92444	371	649	
VAG92444	372	650	
VAG92444	372	651	
VAG92444	373	652	
VAG92444	374	653	
VAG92444	374	654	
VAG92444	375	655	
VAG92444	375	656	
VAG92444	376	657	
VAG92444	376	658	
VAG92444	377	659	
VAG92444	378	660	
VAG92444	379	661	
VAG92444	379	662	
VAG92444	380	663	
VAG92444	380	664	
VAG92444	381	665	
VAG92444	381	666	
VAG92444	382	667	
VAG92444	383	668	
VAG92444	385	672	
VAG92444	385	673	
VAG92444	386	674	
VAG92444	387	675	
VAG92444	388	676	
VAG92444	389	677	
VAG92444	390	679	
VAG92444	391	680	
VAG92444	392	681	
VAG92444	393	682	
VAG92444	394	683	
VAG92444	405	710	
VAG92444	406	711	
VAG92444	407	712	
VAG92444	408	713	
VAG92444	409	715	
VAG92444	409	716	
VAG92444	410	717	
VAG92444	410	718	
VAG92444	411	719	
VAG92444	411	720	
VAG92444	411	719	
VAG92444	411	720	
VAG92444	412	721	
VAG92444	413	723	
VAG92444	413	724	
VAG92444	413	723	
VAG92444	413	724	
VAG92444	414	725	
VAG92444	414	726	
VAG92444	415	727	
VAG92444	416	731	
VAG92444	417	732	
VAG92444	417	733	
VAG92444	417	734	
VAG92444	418	735	
VAG92444	418	736	
VAG92444	418	735	
VAG92444	419	736	
VAG92444	420	737	
VAG92444	420	738	
VAG92444	421	739	
VAG92444	421	740	
VAG92444	421	741	
VAG92444	345	612	


			9
VAG92445	346	613	
VAG92445	347	614	
VAG92445	348	615	
VAG92445	348	616	
VAG92445	349	617	
VAG92445	350	618	
VAG92445	351	619	
VAG92445	352	620	
VAG92445	353	621	
VAG92445	354	622	
VAG92445	354	623	
VAG92445	355	624	
VAG92445	356	625	
VAG92445	357	626	
VAG92445	357	627	
VAG92445	358	628	
VAG92445	358	629	
VAG92445	359	630	
VAG92445	359	631	
VAG92445	360	632	
VAG92445	361	633	
VAG92445	362	634	
VAG92445	363	635	
VAG92445	363	636	
VAG92445	364	637	
VAG92445	364	638	
VAG92445	365	639	
VAG92445	366	640	
VAG92445	367	641	
VAG92445	368	642	
VAG92445	368	643	
VAG92445	369	644	
VAG92445	369	645	
VAG92445	370	646	
VAG92445	370	647	
VAG92445	371	648	
VAG92445	371	649	
VAG92445	372	650	
VAG92445	372	651	
VAG92445	373	652	
VAG92445	374	653	
VAG92445	374	654	
VAG92445	375	655	
VAG92445	375	656	
VAG92445	376	657	
VAG92445	376	658	
VAG92445	377	659	
VAG92445	378	660	
VAG92445	379	661	
VAG92445	379	662	
VAG92445	380	663	
VAG92445	380	664	
VAG92445	381	665	
VAG92445	381	666	
VAG92445	382	667	
VAG92445	383	668	
VAG92445	384	671	
VAG92445	385	672	
VAG92445	385	673	
VAG92445	386	674	


			9
VAG92445	387	675	
VAG92445	388	676	
VAG92445	389	677	
VAG92445	390	679	
VAG92445	391	680	
VAG92445	392	681	
VAG92445	393	682	
VAG92445	394	683	
VAG92445	405	710	
VAG92445	406	711	
VAG92445	407	712	
VAG92445	408	713	
VAG92445	409	715	
VAG92445	409	716	
VAG92445	410	717	
VAG92445	410	718	
VAG92445	411	719	
VAG92445	411	720	
VAG92445	412	721	
VAG92445	413	723	
VAG92445	413	724	
VAG92445	414	725	
VAG92445	414	726	
VAG92445	415	727	
VAG92445	416	731	
VAG92445	417	732	
VAG92445	417	733	
VAG92445	418	734	
VAG92445	418	735	
VAG92445	419	736	
VAG92445	420	737	
VAG92465B	200	331	
VAG92465B	203	336	
VAG92496	236	400	
VAG92496	254	439	
VAG92496	256	443	
VAG92496	256	444	
VAG92496	260	451	
VAG92496	261	452	
VAG92496	268	460	
VAG92496	268	461	
VAG92496	271	465	
VAG92496	272	466	
VAG92496	272	467	
VAG92496	276	474	
VAG92496	277	475	
VAG92496	278	476	
VAG92496	279	478	
VAG92496	281	482	
VAG92497	421	739	
VAG92497	421	740	
VAG92497	421	741	
VAG96047	293	509	
VAG96047	294	510	
VAG96047	295	513	
VAG96047	296	514	
VAG96047	330	574	
VAG96047	330	575	
VAG96056B	199	330	
VAG96100	172	294	


			9
VAG96116B	199	330	
VAG96119	284	490	
VAG96119	285	494	
VAG96119	286	495	
VAG96119	286	496	
VAG96119	287	497	
VAG96119	290	502	
VAG96119	290	503	
VAG96119	291	505	
VAG96123	90	184	
VAG96123	91	185	
VAG96123	97	194	
VAG96123	98	195	
VAG96123	99	196	
VAG96123	100	197	
VAG96123	101	198	
VAG96123	102	199	
VAG96123	103	200	
VAG96123	104	201	
VAG96123	146	258	
VAG96123	147	259	
VAG96123	148	260	
VAG96123	149	261	
VAG96123	150	262	
VAG96123	151	263	
VAG96123	151	264	
VAG96123	152	265	
VAG96123	153	266	
VAG96123	154	267	
VAG96123	155	268	
VAG96123	206	343	
VAG96123	206	344	
VAG96123	207	345	
VAG96123	208	346	
VAG96123	209	348	
VAG96123	210	349	
VAG96123	211	350	
VAG96123	212	351	
VAG96123	213	354	
VAG96123	214	355	
VAG96123	215	356	
VAG96123	216	357	
VAG96123	315	548	
VAG96123	317	551	
VAG96123	317	552	
VAG96123	318	553	
VAG96123	319	555	
VAG96123	319	556	
VAG96123	320	557	
VAG96124	109	208	
VAG96124	110	209	
VAG96124	111	210	
VAG96124	112	211	
VAG96124	113	212	
VAG96124	114	213	
VAG96124	115	214	
VAG96124	116	216	
VAG96124	117	217	
VAG96124	118	218	
VAG96124	120	220	


NUMERICAL PARTS LIST


Nummerische Teilenummernliste • Elenco riferimenti
Liste des références produits


 9		
VAG96124	121	221
VAG96124	122	222
VAG96124	124	225
VAG96124	125	226
VAG96124	127	230
VAG96124	130	235
VAG96124	135	244
VAG96124	142	254
VAG96124	143	255
VAG96124	145	257
VAG96124	156	269
VAG96124	157	270
VAG96124	158	271
VAG96124	159	272
VAG96124	160	273
VAG96124	162	275
VAG96124	163	276
VAG96132	46	85
VAG96145	97	194
VAG96145	98	195
VAG96145	99	196
VAG96145	100	197
VAG96145	101	198
VAG96145	102	199
VAG96145	103	200
VAG96145	104	201
VAG96145	146	258
VAG96145	147	259
VAG96145	148	260
VAG96145	149	261
VAG96145	150	262
VAG96145	151	263
VAG96145	152	264
VAG96145	153	265
VAG96145	154	266
VAG96145	155	268
VAG96145	213	354
VAG96145	214	355
VAG96145	215	356
VAG96145	216	357
VAG96145	315	548
VAG96145	317	551
VAG96145	318	553
VAG96145	319	555
VAG96145	319	556
VAG96145	320	557
VAG96145	VAG96160B	201 333
VAG96145	VAG96160B	202 334
VAG96145	VAG96160B	204 339
VAG96145	VAG96171	223 373
VAG96145	VAG96171	224 374
VAG96145	VAG96171	224 375
VAG96145	VAG96171	225 376
VAG96145	VAG96171	226 378
VAG96145	VAG96171	227 380
VAG96145	VAG96171	227 381
VAG96145	VAG96171	229 385
VAG96145	VAG96171	229 386
VAG96145	VAG96171	230 389
VAG96145	VAG96171	231 390
VAG96145	VAG96171	231 391
VAG96145	VAG96171	233 395
VAG96145	VAG96171	233 396
VAG96145	VAG96171	234 398
VAG96146	90	184
VAG96146	91	185
VAG96146	91	186
VAG96146	93	189
VAG96146	94	190
VAG96146	95	191
VAG96146	95	192
VAG96146	96	193
VAG96146	97	194
VAG96146	98	195
VAG96146	99	196
VAG96146	100	197
VAG96146	101	198
VAG96146	102	199
VAG96146	103	200
VAG96146	104	201
VAG96146	105	203
VAG96146	106	204
VAG96146	107	205


 9		
VAG96146	108	206
VAG96146	146	258
VAG96146	147	259
VAG96146	148	260
VAG96146	149	261
VAG96146	150	262
VAG96146	151	263
VAG96146	151	264
VAG96146	152	265
VAG96146	153	266
VAG96146	154	267
VAG96146	155	268
VAG96146	213	354
VAG96146	214	355
VAG96146	215	356
VAG96146	216	357
VAG96146	315	548
VAG96146	317	551
VAG96146	317	552
VAG96146	318	553
VAG96146	319	555
VAG96146	319	556
VAG96146	320	557
VAG96146	VAG96160B	201 333
VAG96146	VAG96160B	202 334
VAG96146	VAG96160B	204 339
VAG96146	VAG96171	223 373
VAG96146	VAG96171	224 374
VAG96146	VAG96171	224 375
VAG96146	VAG96171	225 376
VAG96146	VAG96171	226 378
VAG96146	VAG96171	227 380
VAG96146	VAG96171	227 381
VAG96146	VAG96171	229 385
VAG96146	VAG96171	229 386
VAG96146	VAG96171	230 389
VAG96146	VAG96171	231 390
VAG96146	VAG96171	231 391
VAG96146	VAG96171	233 395
VAG96146	VAG96171	233 396
VAG96146	VAG96171	234 398
VAG96146	VAG96171	235 399
VAG96146	VAG96171	236 401
VAG96146	VAG96171	237 402
VAG96146	VAG96171	238 403
VAG96146	VAG96171	239 404
VAG96146	VAG96171	239 405
VAG96146	VAG96171	240 406
VAG96146	VAG96171	241 408
VAG96146	VAG96171	241 409
VAG96146	VAG96171	242 410
VAG96146	VAG96171	242 411
VAG96146	VAG96171	247 427
VAG96146	VAG96171	247 429
VAG96146	VAG96171	248 430
VAG96146	VAG96171	249 433
VAG96146	VAG96171	250 434
VAG96146	VAG96171	251 435
VAG96146	VAG96171	252 437
VAG96146	VAG96171	253 438

 9		
VAG96171	255	441
VAG96171	257	445
VAG96171	258	447
VAG96171	259	448
VAG96171	259	449
VAG96171	260	450
VAG96171	262	453
VAG96171	263	454
VAG96171	264	455
VAG96171	265	456
VAG96171	266	457
VAG96171	267	458
VAG96171	267	459
VAG96171	269	462
VAG96171	269	463
VAG96171	270	464
VAG96171	274	470
VAG96171	274	471
VAG96171	280	480
VAG96181B	254	439
VAG96181B	256	443
VAG96181B	256	444
VAG96181B	260	451
VAG96181B	261	452
VAG96181B	268	460
VAG96181B	268	461
VAG96181B	271	465
VAG96181B	272	466
VAG96181B	272	467
VAG96181B	273	468
VAG96181B	276	474
VAG96181B	277	475
VAG96181B	278	476
VAG96181B	279	478
VAG96184	338	597
VAG96184	339	598
VAG96184	339	599
VAG96184	396	688
VAG96184	396	689
VAG96184	397	691
VAG96184	398	692
VAG96184	398	693
VAG96184	399	694
VAG96184	400	696
VAG96184	401	698
VAG96184	401	700
VAG96184	402	701
VAG96184	403	703
VAG96187	332	579
VAG96187	341	604
VAG96187	341	605
VAG96187	342	606
VAG96187	342	607
VAG96187	343	608
VAG96187	343	609
VAG96187	344	610
VAG96187	344	611
VAG96188B	328	568
VAG96188B	328	569
VAG96197B	396	688

 9		
VAG96197B	396	689
VAG96197B	397	691
VAG96197B	398	692
VAG96197B	398	693
VAG96197B	400	696
VAG96197B	401	698
VAG96197B	401	700
VAG96197B	402	701
VAG96197B	403	703
VAG96199	236	400
VAG96199	254	439
VAG96199	256	443
VAG96199	256	444
VAG96199	260	451
VAG96199	261	452
VAG96199	268	460
VAG96199	268	461
VAG96199	271	465
VAG96199	272	466
VAG96199	272	467
VAG96199	273	468
VAG96199	276	474
VAG96199	277	475
VAG96199	278	476
VAG96199	279	478
VAG96203	109	208
VAG96203	110	209
VAG96203	111	210
VAG96203	112	211
VAG96203	113	212
VAG96203	114	213
VAG96203	115	214
VAG96203	116	216
VAG96203	117	217
VAG96203	118	218
VAG96203	120	220
VAG96203	121	221
VAG96203	122	222
VAG96203	124	225
VAG96203	125	226
VAG96203	127	230
VAG96203	130	235
VAG96203	131	236
VAG96203	135	244
VAG96203	141	253
VAG96203	142	254
VAG96203	143	255
VAG96203	144	256
VAG96203	145	257
VAG96203	156	269
VAG96203	157	270
VAG96203	158	271
VAG96203	159	272
VAG96203	160	273
VAG96203	161	274
VAG96203	162	275
VAG96203	163	276
VAG96203	164	277
VAG96203	169	289
VAG96203	170	290

			9
VAG96203	171	291	
VAG96203	196	325	
VAG96203	197	326	
VAG96210	109	208	
VAG96210	110	209	
VAG96210	111	210	
VAG96210	112	211	
VAG96210	113	212	
VAG96210	114	213	
VAG96210	115	214	
VAG96210	116	216	
VAG96210	117	217	
VAG96210	118	218	
VAG96210	119	219	
VAG96210	120	220	
VAG96210	121	221	
VAG96210	122	222	
VAG96210	124	225	
VAG96210	125	226	
VAG96210	127	230	
VAG96210	130	235	
VAG96210	131	236	
VAG96210	135	244	
VAG96210	141	253	
VAG96210	142	254	
VAG96210	143	255	
VAG96210	144	256	
VAG96210	145	257	
VAG96210	156	269	
VAG96210	157	270	
VAG96210	158	271	
VAG96210	159	272	
VAG96210	160	273	
VAG96210	161	274	
VAG96210	162	275	
VAG96210	163	276	
VAG96210	164	277	
VAG96210	170	290	
VAG96210	196	325	
VAG96210	197	326	
VAG96215B	288	499	
VAG96215B	289	500	
VAG96216B	71	142	
VAG96216B	74	152	
VAG96216B	75	154	
VAG96216B	75	155	
VAG96216B	76	157	
VAG96216B	246	423	
VAG96218	328	568	
VAG96218	328	569	
VAG96229	91	186	
VAG96229	92	187	
VAG96229	146	258	
VAG96229	147	259	
VAG96229	148	260	
VAG96229	149	261	
VAG96229	150	262	
VAG96229	151	263	
VAG96229	151	264	
VAG96229	152	265	

			9
VAG96229	153	266	
VAG96229	154	267	
VAG96229	155	268	
VAG96230	92	187	
VAG96230	93	189	
VAG96230	94	190	
VAG96230	95	191	
VAG96230	95	192	
VAG96230	96	193	
VAG96230	97	194	
VAG96230	98	195	
VAG96230	99	196	
VAG96230	100	197	
VAG96230	101	198	
VAG96230	102	199	
VAG96230	103	200	
VAG96230	104	201	
VAG96230	105	203	
VAG96230	106	204	
VAG96230	107	205	
VAG96230	108	206	
VAG96230	146	258	
VAG96230	147	259	
VAG96230	148	260	
VAG96230	149	261	
VAG96230	150	262	
VAG96230	151	263	
VAG96230	151	264	
VAG96230	152	265	
VAG96230	153	266	
VAG96230	154	267	
VAG96230	155	268	
VAG96230	206	343	
VAG96230	206	344	
VAG96230	207	345	
VAG96230	208	346	
VAG96230	209	348	
VAG96230	210	349	
VAG96230	211	350	
VAG96230	212	351	
VAG96230	213	354	
VAG96230	214	355	
VAG96230	215	356	
VAG96230	216	357	
VAG96260B	213	353	
VAG96260B	216	358	
VAG96260B	217	359	
VAG96260B	243	412	
VAG96260B	245	422	
VAG96260B	280	481	
VAG96261	68	132	
VAG96261	69	137	
VAG96261	71	140	
VAG96261	217	360	
VAG96261	218	361	
VAG96261	219	363	
VAG96261	220	366	
VAG96261	221	367	
VAG96261	221	368	
VAG96261	222	369	

			9
VAG96261	222	370	
VAG96261	232	393	
VAG96261	325	563	
VAG96261	326	564	
VAG96261	326	565	
VAG96261	327	566	
VAG96262	338	596	
VAG96262	340	601	
VAG96262	340	602	
VAG96263	77	159	
VAG96263	78	160	
VAG96263	78	161	
VAG96263	79	162	
VAG96263	395	685	
VAG96267	77	159	
VAG96267	78	160	
VAG96268	213	353	
VAG96268	216	358	
VAG96268	217	359	
VAG96268	243	412	
VAG96268	245	422	
VAG96268	280	481	
VAG96271B	329	570	
VAG96272	28	51	
VAG96272	28	52	
VAG96272	29	53	
VAG96272	31	57	
VAG96272	34	60	
VAG96272	35	61	
VAG96272	39	66	
VAG96272	42	73	
VAG96272	44	77	
VAG96273	32	58	
VAG96273	33	59	
VAG96273	37	63	

OE INTERCHANGE

OE-Vergleichsliste • Intercambio con OE
Références croisées 1ère Monte

OE	OE	OE	OE	OE	OE	OE	OE		
000023614	NF841	020349	BX900	0209R7	BY970	027109675	HR816	0607091710	AF240
0000530022	HR599	020457	HBS038	0209R8	BY982	030103085A	NA5001	0607328120	JD025
000111000	TB192	020468	HBS125	0209S5	BX880	030426	JJ283	0607550160	BE620
0003066V003000000	FOL190	020472	HBS087	0209S6	BX890	030434	JJ283	060755017	AN350
00039621840	HR805	020486	HBS272	0209S7	BX900	031326	PA349	0638196	NA5069
0039403920	NB866	020490	HBS261	0209S8	BX910	032627	NA5256	0641076	V98024
004634596	BY380	020493	HBS259	0209S9	BX920	034889	JC759	0641391	V98025
0060507576	JD015	020497	HBS084	0209T7	BX980	034896	JD529	0641392	V98025
0060516700	JA840	020498	HBS277	0209X0	AA5830	034898	JD5972	068103085A	NA5001
007603016303	PA349	0204A3	HBS535	0209X1	AA5840	0348C0	JC991	068103085E	NA5001
01143554	PA349	0204A4	HBS359	0209X2	AA5850	0348C8	JD536	06A129717	JD5291
01157880	PA349	0204C5x10	HBS359	0209X3	AA5860	0348F6	JD519	06J109423	FOL190
011913	NF867	020557x10	HBS359	0209X4	AA5870	0348H9	JC759	07119963244	PB907
011914	NF867	020904	BM530	0209X5	AC5012	0348J0	JC991	073109119A	TB192
012743	NA5325	020906	BL650	0209X6	AC5020	0348N1	HA5008	073109119C	TB192
012747	NA5191	02090S	AD5490	0209X7	AC5032	0348N1	JD6023	07724588	CAM648
012747	NA5192	02090T	AD5500	0209X8	AC5040	0348N2	HA5008	080155	CAM354
012749	NA5325	02090V	AD5510	0209X9	AC5052	0348N4	JD5191	0801C2	CAM354
016402	PA349	02090W	AD5520	0209Y5	BX930	0348P9	JD5907	0801E8	CAM373
016430	PA349	02090X	AH5040	0209Y6	BX940	0348Q0	JD5906	0801T5	CAM679
019713	GM533	02090Y	AH5060	0209Y7	BX950	0348R4	HA5030	0801V8	CAM681
019736	GJ720	02090Z	AH5050	0209Y7	BX970	0348R5	HA5031	0801V9	CAM751
019737	DJ720	02091A	AH5070	0209Y8	BX960	0348S3	HM5289	0801W0	CAM750
019742	EL650	02091C	AA5880	0209Y9	BX970	034903	JB841	080724	NA5260
019751	DM530	020920	BR510	0209Z3	AD5300	034946	JB869	080728	NA5035
019752	GM533	020921	BL650	021103051C	NA5305	034947	JC423	080729	NP067
019784	DM533	020923	BM530	022025	VAG51007	034949	JC415	080730	NA5258
019798	GM533	020935	BR510	022055	VAG92331B	034959	JC415	081616	TB114
019799	DM530	020956	BX900	022059	VAG92401	034970	JC415	081619	TB126
019799	DM533	020957	BX920	022060	VAG96132	034976	JD230	081622	TB175
0197AC	CD5500	020972	BR510	022064	VAG92332B	034978	JC423	081622	TS660
0197C4	GM533	020976	BM530	022065	VAG92288B	034994	JB841	081643	TB346
0197C6	DM530	020979	BR510	022075	VAG92288B	0349F0	JB869	081646	TB175
0197C9	DS820	0209A8	BL650	022076	VAG96160B	0349H4	JD5190	081646	TS660
0197E5	DV150	0209AJ	AD5130	022085	VAG96047	0349H7	JD5192	081648	TB346
0197E7	DV150	0209AK	AD5140	022095	VAG96271B	0349J8	JD5829	081648	TB419
0197F9	GJ720	0209AL	AD5150	0220A0	VAG96100	0349N0	JD5829	081654	TB320
0197G0	DJ720	0209AN	AD5160	0220A2	VAG96119	037103483AC	JN969	081658	TB175
0197G4	CY131	0209AP	AD5170	022109423	FOL154	0411187742	GS435	081658	TS660
0197H0	DV150	0209CJ	AD5701	022109423A	FOL154	0411227071	CG7490	081659	TB175
0197H1	DV150	0209CR	AH5060	022109423D	FOL154	0411287728	DS435	081660	TB346
0197H3	DS820	0209CS	AH5040	022117	VAG96056B	04153728	HR801	081660	TB419
0197H3	DY310	0209E1	BL650	022118	VAG96116B	04221154	HR801	081662	TB346
0197H4	DJ720	0209EA0209FS	AH6630	023280P	JM5088	0482401005	HR805	081662	TB419
0197H5	GJ720	0209EH	AH6390	023630	NF817	0490172008	NA5001	081663	TB278
0197J4	DM533	0209ES	AH6400	023644	NF817	049103051C	NF857	081669	TB454
0197J9	DM533	0209ET	AH6410	024099	HBS125	051103483A	JP024	081671	TB346
0197S1	DG542	0209F4	BM530	024914	JN244	051103483E	JP024	081671	TB419
0197S2	GG541	0209GL	AH7290	024945	JN426	051438	NF870	081673	TB479
0197T3	CY082	0209GN	AH7300	024946	JN544	051474	NF857	081679	TB305
0197T4	CY081	0209GP	AH7310	024948	JN547	05175440AA	FOL190	081689	TB727
0197T8	CY082	0209GQ	AH7320	024954	JN658	059129717G	JD5810	081693	TB631
0197V3	DR630	0209J8	BV140	024970	JP045	06005392	V91145	081696	TB632
0197X3	CC5010	0209K1	BX920	024978	JN426	0605041100	HR805	081698	TB479
0197X5	CA5830	0209L3	BR510	024983	JP049	0605066360	JD223	081699	TB368
0197Y2	GX410	0209L7	BL650	024991	JN544	0605071070	NA5066	0816A0	TB727
0197Y6	ED5490	0209L8	BR510	024995	JM5088	0605075570	HR646	0816A1	TB683
0197Y7	CD5490	0209L9	BY310	024999	JM5087	0605075760	JD015	0816A3	TB701
0197Y9	GX392	0209N3	BG540	0249A3	JM7121	0605129480	JN808	0816A4	TB558
0197Z4	GX392	0209N6	AY070	0249A4	JM5139	0605129490	JN807	0816A6	TB678
019806	DM530	0209N9	BY320	0249A5	JM5283	0605133160	JN812	0816A9	TB632
019811	DM710	0209P4	BY962	0249A6	JM5141	0605149100E4450	BP990	0816C2	TB683
019830	DM710	0209Q8	BX930	0249C1	JM5299	06051670000	JA840	0816E2	TB724
019837	DM530	0209Q9	BX940	0249C2	JM7034	0605212930	NB814	0816E4	TB720
019851	GM533	0209R0	BX950	0249E40249E5x2	HM5369	0605359490	HR801	0816E5	TB368
019864	GM533	0209R1	BX950	026103085A	NA5001	0605484480	BT340	0816E6	TB720
019872	DM530	0209R1	BX960	026103085F	NA5001	0605487510	BT380	0816E7	TB720
019888	GM533	0209R2	BX970	026106675	HR805	0605525770	BW410	0816F4	TB683
0198C3	GM533	0209R4	BY942	026107675	HR805	0605818460	AN350	0816G3	TB742
020012306A	HR599	0209R5	BY950	026109675	HR569	0605918100	BE620	0816G7	TB724
020012326A	HR800	0209R6	BY962	027109675	HR599	060596952	JD271	0816H3	TB727

OE	OE	OE	OE	OE	OE				
0816J6	TB724	094960	V94017	107234	AN350	11676015080500	BP260	13177720	HR646
083106	TBK010	094964	V94017	108811	BE620	116760150806	BK580	131930000000	V91621
083111	TBK035	094964	V94024	1096253	HR5082	116760150806	JC928	132176	BE620
083117	TBK010	094966	V91970	11011030	DR630	11676015080600	BK580	132241	BE620
083122	TBK035	094968	V94170	110196	JN588	116760160100	JC928	132340000A	FOL190
083127	TBK020	094973	V94017	11117805946	NA5325	1167601704	JD025	1346473	TB720
083131	TBK020	094974	V94017	11121262571	HR397	1167601704003	JD025	134697	JD565
083134	TBK344	094976	V91971	11127508936	HBS359	116760179903	JF123	1350607	NA5192
083135	TBK344	094992	V94176	11127805927	JM7034	116760330101	V91438	1350608	NA5191
083140	TBK106	094996	V94179	1114169600	AG8180	1167679901000	GK570	1352017	NA5030
083141	TBK106	094999	V94201	1114169601	AG8180	1167979901300	DK570	1373250	TB724
083148	TBK113	0949A0	V91994	1114169602	AG8180	116850160100	JD018	13971330	HBS052
083149	TBK113	0949A3	V94491	1114169603	AG8180	117017901300	CN306	14009V5201	JD152
083152	TBK035	0949A5	V94199	11142249533	NA5104	117137901300	CN306	1414069G00	JD5965
083153	TBK035	0949A9	V94487	1117453	NA5030	117177901300	DH854	1446647	TB724
083158	TBK105	0949E1	V95084	113028540	HR805	117187901000	GC374	14580R9G0030	FOL190
083159	TBK105	095605	HR300	113105245F	NA784	117187901300	DC372	14730110	TB454
083160	TBK303	095618	HR569	1131052456	NA784	119000150701	JN807	1473011080	TB454
083161	TBK303	095619	HR569	11317805957	TB724	119000150901	JN808	1487788	FOL190
083162	TBK106	095619	HR646	11321739299	FOL129	119000342201	NA5163	1489119	TB720
083178	TBK274	095622	HR569	11341273501	HR569	119020170400	JD223	1535493	NA5057
083179	TBK274	095622	HR805	11341273501	HR596	1192001508	DK572	1535494	NA5057
083182	TBK106	095624	HR800	11341285249	HR569	1192001508001	DK572	154020970400	JD015
083183	TBK106	095628	HR599	11341288544	HR599	1192079010	DK572	1556385	TB192
083188	TBK279	095628	HR800	11341288544	HR646	1192079010	GK571	1558385	TB192
083189	TBK279	095628	HR816	11341706580	HR599	119207901000	GK571	1576433	PA349
083192	TBK338	095648	HR5046	11341706707	HR599	12014726	NP068	1600500180	FOL190
0831K0	TBK338	10010001580701	AF240	11349059169	HR363	12015120	NP068	1606254	CD5840
0831K6	TBK355	1004928	NA5001	11349059169	HR569	12032063	DK570	1606455	CD5820
0831K7	TBK355	100552	BG820	11349059171	HR646	122060150801	BP260	1606537	CH5240
0831N2	TBK105	1007308	FOL123	11349059172	HR602	1229723	TB724	162060150800	BK570
0831N3	TBK105	101000150803	AF240	11349059172	HR662	1229877	AD5130	162060150801	BP260
0831N4	TBK274	101000150807	AF240	11349063193	HR791	1229880	AD5160	162060150802	BK580
0831N5	TBK274	101041	JH565	1142360	NA5325	1231931	V94490	1640200	PA349
090358	FOL163	101100150302	VAG96216B	1145950	TB720	1231976	TB742	164046	JB841
090364	FOL163	101827	AN350	1145953	NA5258	1231979	TBK338	16406015080001	DK570
09194750	KG5337	102078	JA899	1146061	FOL190	1235994	JM7034	1644647	HR801
094216	FOL73	102896000000	V90392	1148115	JD5829	1238067	NA5031	1663814	NB959
094225	FOL109	103331	AN350	115094	BE620	125065	JH565	1669254	NA5177
094228	FOL126	1037330	FOL123	115276	JN588	125196	V91615	1669785	HR599
094229	FOL104	1037331	FOL123	115309	JA899	1254375	HA5030	16806V7226	TB146
094232	FOL164	1043175	FOL123	116000120500	JJ452	1254376	HA5031	1683687	AH7290
094241	FOL150	1047213	FOL151	116000150800	BC370	1257221	NA5001	1683688	AH7300
094242	FOL190	105000117600	NA5066	11600015080001	BC370	12572210	NA5001	1683689	AH7310
094249	FOL115	105000117602	NA5066	116000150801	BC370	12575793	V94962	1683690	AH7320
094251	FOL190	105000150304	VAG92168B	116000150803	BC370	1273501	HR596	1684287	NA5030
094252	FOL190	105000150803	AF370	116001150800	BC370	1276166600	TB175	17065804	HR599
094253	FOL190	10500015080301	AF370	116003016501	JE696	1276166600	TB560	17067073	HR599
094833	V34459	105000170400	JA829	1160030165010	JE696	1276167G00	TB632	171009	JE647
094856	V91277	10500150800	AF370	116010172000	JE696	1276167J00	TB720	17100900	JE647
094858	V91271	10500150803	AF370	116011	BC370	1276179J50	TB639	17779904	BW340
094859	V91144	1050369	AY400	116013	BC370	1276186CA0	TB175	1900209	CM870
094863	V91144	1050370	AY410	1160150800	BC370	1276186CA0	TB560	1900235	FG615
094866	V91972	1050371	AY420	116080150804	BH850	1276186CT0	TB560	1900812	CG01A
094868	V94169	10512013	AN300	11608015080401	BH850	1288544	HR646	1904915	JC055
094892	V94175	105120150800	AN300	116080330101	V90388	1289167G01000	FOL190	1905933	DR073
094894	V91144	10512015080001	AN300	116080701300	BH850	1289185E00	FOL187	1907799	DR073
094894	V94154	105120150801	AN300	11612777	HR397	1291169G00	V95007	1907799	DS381
094895	V94178	105120150805	AN300	11627806008	JD5829	1291185E00	V95015	1907801	DS381
094899	V94200	1051401507	JP004	11633011	AN300	1291569G50	V95008	1907802	DS381
0948A2	V91292	105140150701	JP004	116330150800	AN300	1291585E00	V95016	1908009	DE588
0948A3	V94490	105260150800	AF370	1163679013	CN306	129661	V91614	1908015	DR073
0948A5	V94198	105390150800	AF240	116550117601	NA5066	13028V7226	TB146	1908408	V91301
0948C0	V94486	105390160100	JA840	116760150800	DK570	130455	BP990	1908409	V91304
0948E5	V95083	1054101601	JA840	116760150802	BK570	1306630	HR801	1908410	V91302
0948E6	V98028	105410160100	JA840	11676015080200	BK570	131510403	KV086	195100120500	JJ451
094921	V34460	105410160101	JA840	116760150803	BK580	131512408	KV102	195170160100	JC497
094947	V91145	105480150800	BH850	11676015080300	BK580	131571	JN333	1951708601	JC497
094947	V94017	10548015080001	BH850	116760150804	BK570	1316801M00	NJ951	195240351100	JN806
094957	V91275	105480330101	V90388	11676015080400	BK570	1317772	HR646	195260860100	JD018
094959	V91273	107028	JH565	116760150805	BP260	13177720	HR599	195360351101	JN812

OE INTERCHANGE

OE-Vergleichsliste • Intercambio con OE
Références croisées 1ère Monte

OE	OE	OE	OE	OE	OE	OE	OE		
195590330100	V91437	26109675	HR805	3M5Q6L004AA	HA5030	4249510	JJ078	4435023	BK540
195590970400	JD025	2992531	FB5721	3M5Q6L004BA	HA5031	4249510	JJ440	4436580	JC738
1973600	GJ720	2995573	CG7300	3M5Q8A615BA	TBK338	4250801	VAG96171	4440061	V91765
1973700	DJ720	2995608	FB5721	3S7Q6700AA	NA5031	4250803	VAG92366	4444409	BP110
1975100	DM530	2995609	CB5720	40000040	NA784	42531636	NP067	4444408	BP110
1980600	DM530	2S6Q6500AA	FOL190	40000160	NA5045	42531636	NP068	4444409	BP110
1983000	DM710	2S6Q6500AB	FOL190	40003300	NA5045	4256857	JM508	4444450	BP110
1983700	DM530	2S6Q6701AA	NA5325	40003300	NB728	4258405	JM663	4446715	JJ136
19850	DM530	2S6Q6K288AA	TB720	40003630	NP068	4265695	V34457	4448165	LT439
1985000	DM530	2S6Q6K288AB	TB720	40003634	NP068	4265699	VAG92364	4448401	BP110
20380025A	VAG96187	2S6Q6K288AC	TB720	40003637	NP068	4265701	HR599	4448677	JM663
20459855	HR801	2S6Q6L270AA	NA5258	40003640	NP068	4266321	V34654	4448010	BG830
20489	HBS260	30003780	HR800	40003650	NP067	4268806	JM508	4462674	JC287
20496	HBS272	3036117	CAM391	40003657	NP067	4271052	JE480	4464012	KG393
2090400	BM530	3042600	JJ283	40003850	NF833	4279436	JC054	4464457	LT439
2090600	BL650	30711488	NA5325	40003990	NA5049	4279438	JC055	4467939	BP050
2091016	PA349	30757227	NA5191	40004000	NA5050	4287796	BP070	4467996	BJ860
2092100	BL650	30757227	NA5192	40004000	NA784	4291098	BP190	4467997	BJ870
2092300	BM530	3101048	JB851	40004190	NB814	4294098	V91739	4467998	BJ880
20958	BL650	31010481	JB851	40004200	NB815	4306719	JM674	4468200	BP050
2095800	BL650	310620315	HR800	40004250	NB742	4309031	JD146	4468501	JA777
21011007026	HR363	310620353	HR800	40004260	NB825	4314165	BP130	4469751	HBS051
21011007026	HR596	31164	HR599	40004270	NB818	4315062	V91713	4469752	HBS051
21011203020	JE390	31258204	NA5325	40004290	NA784	4323710	JN283	4469882	BP070
2103120302001	JE390	31259224	NA5325	40004300	NB644	4330005	BP190	4469883	BP110
21081007026	HR805	3210061	BE580	40004300	NB732	4331606	JH111	4500831	TB368
2112100604002	TB479	3210112	BR070	40004340	NA5051	4340118	V90064	4500879	TB558
2116910	NA784	321103	HR800	40004370	NA5052	4340119	V90399	4501807	TBK102
21501189	HR801	3214136	BR070	40004400	NA5053	4341243	BP130	4502789	GX392
220081	VAG96215B	3214139	BE580	40004750	NA5177	4349222	JN406	4503983	NC006
22022072F	AY400	3277158	NF722	40004930	NA5187	4357028	HR599	46400045	TB471
22022073F	AY410	32771583	NF722	40005010	NB825	4358713	CAM517	46402972	AY430
22022074F	AY420	32978850	JB851	40100070	NP067	4358946	NB732	46402972J	AY430
22022078F	JD5144	3310742	BR510	40100080	NP068	4359309	V90070	46403659	TB637
22022080F	AY400	3313E003	VAG701	40100300	NA5055	4369825	JD019	46403681	V94029
22022081F	AY410	3314488	BP290	40100301	NB946	4370933	HR596	46404034	NA5057
22022082F	AY420	33261723	VAG586	40100311	NF833	4372331	VAG50895	46404094	NA5057
22030362A	JN581	33261742	VAG701	40100314	NF833	4374855	V91712	46407749	V94576
22032114F	JD025	33442617	HR569	40100320	NP067	4377979	V91282	46410505	JD340
22032152	BK570	3490300	JB841	40100320	NP068	4379220	BP190	46410880	JD342
22032152F	BK570	3494600	JB869	40100321	NP068	4379970	BD790	46410890	JD342
22032153	BP260	3494700	JC423	40100324	NP068	4379970	BD800	46410891	JD342
22032153F	BP260	3494900	JC415	40100330	NP067	4386291	TB388	46410891	JD343
22032154	BK580	3495900	JC415	40100330	NP068	4387611	AM870	46410960	BX030
22032154F	BK580	3501775	HR805	40100331	NP067	4387612	AH020	46411495	FOL100
22032185F	BK570	35017755	HR805	40100331	NP068	4387618	BP070	46412116	JD5143
22032186F	BP260	3517860	HR599	40100334	NP067	4387623	BP190	46413078	FOL145
22032187F	BK580	35178607	HR646	40100340	NP068	4387624	BP130	46414221	BT300
22032245G	JP068	3517893	HR599	40101524	NF886	4388512	JM508	46414221	BT320
2206154	NA784	35178938	HR800	4047071	JA755	4390870	JM508	46414437	JD228
222312A000	FOL190	353722	V91679	4117850	JM333	4391213	BP070	46414438	JD343
22454009R	PA349	3681E066	AH020	4124546	AM870	4392929	BG820	46414567	AY460
22472090	PA349	3681E067	AH020	4127971	JC973	4394109	JN459	46414567	BR630
2249533	NA5104	3681E068	AH020	4128615	JM490	4398359	JD5155	46416033	BT300
23614	NF841	3681E069	AH020	4142114	NA784	4403027	TB368	46416034	BT320
2361400	NF841	3681E070	AH020	4145587	JM333	4403047	V91762	46416876	NF887
2434129000	TB175	3681E071	AH020	4147260	JE390	4404985	NA5187	46420638	HBS130
2434129000	TB560	3681E072	AH020	4150660	JM508	4406740	BP070	46423334	V91928
24405815	V98025	3681E073	AH020	4151277	JA757	4407095	BD790	46425904	JD464
24422964	TB741	3681E074	AH020	4152447	FOL104	441054151716	HR599	46425908	JD465
24454518	V94963	3681E075	AH020	4158646	JM085	4412816	V90398	46426046	JD148
24465791	NA5174	3681E076	AH020	4177112	JA757	4424154	JN669	46426755	AY320
2461003000	FOL190	3681E077	AH020	4179038	JH494	4424173	V91763	46426983	TB639
2491400	JN244	39403920	NB866	4179084	BP070	4431246	FOL187	46427282	FOL161
2494500	JN426	3M5Q6507BA	V94490	4179085	JN805	4431246	FOL190	46427653	JD343
2494600	JN544	3M5Q6700BC	NA5191	4179112	JA757	4431654	BP110	46430687	HBS051
2494800	JN547	3M5Q6700BC	NA5192	4194060	JA777	4434846	BP510	46430688	HBS051
2495400	JN658	3M5Q6K288AA	TB724	4194300	BP030	4434846M	BP500	46431639	BV680
254705116312	TB175	3M5Q6K288AB	TB724	4195130	JM663	4434864	BP110	46431640	BT230
258458	JN333	3M5Q6K288BA	TB742	4216787	BP030	4434865	BP110	46431640	BV690
2584589	JN333	3M5Q6K288CA	TB724	4239917	V34496	4434903	BP050	46431641	BV700

OE	OE	OE	OE	OE	OE	OE	OE		
46431642	BR700	46475925	FOL187	46774708	CAM717	5001000816	NA784	504018307	JH5077
46431642	BT240	46477509	JF184	46774976	AD5960	5001000816	NP068	504019494	JM5201
46431642	BV700	46480910	JA752	46780505	TB639	5001001151	NF833	504022754	JD5981
46431642	BW980	46513955	JM5176	46783962	V94471	5001001215	HBS011	504031409	NF885
46432087	JP063	46514671	TB471	46787055	FOL106	5001001216	HBS011	504034832	NF885
46432735	JD150	46514710	HA5005	46787902	V94589	5001001231	BE580	504037859	JD5338
46433782	VAG96124	46514722	HA5005	46791187	TB608	5001001234	JN462	504049360	FB5722
46434102	BV670	46514754	V94216	46791188	TB639	5001001254	NP067	504049362	CB5720
46434591	NA5058	46515401	TB660	46791189	TB725	5001001267	TB135	504052452	JM5202
46434596	BY380	46517325	V91949	46802049	V94588	5001001283	JC054	504059361	NF883
46435513	NF888	46518930	V95015	46802420	CAM714	5001001581	VAG92369	504069199	V94592
46436047	HR599	46518931	V95016	46811291	JA5035	5001823706	BR070	504069199	V98018
46437256	JP064	46522371	CAM713	46814120	JM5176	5001829815	AY590	504069200	V91292
46440885	HR800	46523711	CAM653	46814174	JM7055	5001829882	JN594	504072531	V98042
46441525	VAG96272	46525557	JD226	46814175	JM7117	5001836510	GX410	504076915	TB723
46442435	AY550	46526271	JA5006	46815383	FOL168	5001836511	DX391	504081062	V98043
46442436	AY560	46526291	TB649	46817515	AD5800	5001836513	DX390	504093499	AG6060
46442437	AY570	46527523	JD225	46817516	AD5810	5001836605	TB368	504093500	AG6050
46444964	BT860	46529117	BZ791	46817517	AD5820	5001836608	TB558	504093501	AG7300
46447765	AY520	46529118	BZ801	46820225	JD5143	5001847819	TB701	504123772	NA5202
46448011	FOL168	46529119	BZ811	46823507	CAM712	5001853924	NP067	504378070	V94593
46449944	AY530	46530228	CAM709	46823508	CAM711	500306170	AY680	5111410040	BX040
46449945	AY540	46530233	CAM710	4697094	AN350	500306171	AY690	5111410300	BX040
46451593	AC5140	46533298	V94591	4716458	NP067	500306172	AY700	5111410570	BX040
46451593	BV680	46539824	LK5001	4716750	NP068	500314225	NF883	5111410830	BX040
46451594	AC5150	46541065	TB462	4721234	TB146	500315684	NF885	5120058	JM5028
46451594	BV690	46541379	BP290	4722674	LS856	500316112	JJ613	5233315	FOL38
46451595	AC5180	46546120	AE5240	4722675	LS857	500317403	JN956	5403212	HR340
46451595	BV700	46548288	TB608	4726483	VAG92194	500327440	JH5178	5412007	HR340
46451596	AC5160	46548441	JM5003	4731124	BE580	500350049	NA5201	5452930	JH869
46451596	BW980	46548450	JA5008	4732165	LS856	500354411	CY680	54529300	JB869
46452670	BT300	46548459	JA5011	4732166	LS857	500362855	V94592	5469955	HR340
46452670	BT320	46549807	AA5590	4733258	VAG92369	500362856	V94593	5494183	BG540
46454063	BY410	46552748	JM5028	4733348	V90402	500362856	V98019	5500387068	AB5730
46454064	BE450	46552984	CAM417	4733349	V90404	500366171	GX390	5500387069	AB5740
46454065	BY430	46556651	HR5088	4733350	FOL169	500366181	DX400	55180937	NA5230
46455736	CAM651	4658055	V91667	4738019	JN462	500366511	GX390	55183371	AG7380
46457061	TB660	4659379	V91676	4741124	BE580	500366528	DX391	55183446	TB787
46457742	TB608	46641908	HR800	4741822	BE580	500366848	FY690	55183528	TB790
46460125	NF888	4667156	NF886	4749395	VAG92373	500369482	FY691	55184024	AG6220
46461209	V94468	4673608	V91667	4749397	VAG92193	500369483	CY680	55184740	AG7410
46461755	JD467	46736500	TB649	4757358	V91292	500371975	TB723	55184741	AG7420
46461883	BW340	46736501	TB676	4784888	V91301	500376626	JD5337	55184742	AG7430
46461884	BW350	46737936	JC738	4784889	V91302	500383471	AB5720	55185028	V98026
46461885	BW360	46739135	AA5780	4784890	V91304	500383472	AB5730	55185080	V98027
46462159	V91950	46739136	AA5790	4802126	VAG92444	500383473	AB5740	55185775	AD5830
46462481	BT260	46739137	AA5800	4803805	V91301	500387067	AB5720	55187103	TB725
46462772	JC738	46739261	JM5029	4806718	V91302	500387068	AB5730	55187650	AD5970
46464114	JM5018	46743167	HR5095	4813760	V91399	500387069	AB5740	55187704	AD5870
46465291	JF145	46749904	AA5561	4826033	V91293	500391047	AY700	55187705	AD5960
46465330	FOL145	46749905	AA5571	4828150	HBS011	5012820	DM530	55187899	AD5800
46465430	FOL106	46749906	AA5581	4830224	HR602	5012839	DM710	55187900	AD5810
46467203	JN973	46750859	V94470	4832015	BR090	5012840	DP070	55187901	AD5820
46467746	JD228	46750865	TB676	4834948	JF123	5012841	DP130	55188191	TB471
46467747	JD468	46752127	AB5150	4837051	AB5100	5012847	DP190	55189864	AE5240
46468413	AA5720	46754320	JD148	4837141	JC055	5012871	DP011	55189950	AE5240
46468413	BW340	46757318	JD150	4837347	DS381	5012877	DP110	55189962	AA5420
46468414	AA5730	46757321	JD464	4837349	DS381	5012927	DM530	55189997	NA5321
46468415	AA5740	46757609	JD465	4848254	BR090	5012942	DJ852	55190350	AD5840
46470334	HR814	46759989	JM5019	4854648	HBS011	5012947	DG811	55190351	AD5850
46471599	FOL101	46764378	V94065	4854648	HBS255	5012994	JN283	55190352	AD5860
46471639	V94030	46764762	HBS371	4862154	NF886	5012996	JM085	55190353	AD5910
46473173	CAM652	46765629	FOL168	4891275	BP510	5012999	JM333	55190354	AD5920
46473174	BE440	46767211	AD5970	4891275	FOL190	5013001	JN244	55190355	AD5930
46473175	BE450	46771926	AD5840	5000296030	DS381	5013009	JM663	55190356	AG7390
46473175	BY420	46771927	AD5850	5000814593	TB135	5013044	JN459	55190357	AG7400
46473176	BE460	46771928	AD5860	5000815434	NP067	5013062	JN462	55190358	AG7440
46473176	BY430	46772389	JA5035	5000815434	NP068	5013178	BG820	55190359	AA5780
46473336	AY460	46772390	JA5036	5000815452	BR070	5013179	BG830	55190360	AA5790
46475573	HBS297	46772393	CAM654	5001000786	NA784	504014155	NA5202	55190361	AA5800
46475574	HBS297	46774707	CAM716	5001000786	NB946	504017372	JJ613	55192156	V98003

OE INTERCHANGE

OE-Vergleichsliste • Intercambio con OE
Références croisées 1ère Monte

OE	OE	OE	OE	OE	OE	OE	OE		
55192265	HBS353	5636343	TB639	5882634	DR100	5890584	DT446	5891288	AM870
55192551	AY320	5636344	TB790	5882669	GP861	5890585	GT446	5891289	BP290
55192896	TB639	5636436	TB741	5882674	DP860	5890586	DT446	5891290	BK540
55193659	TB794	5636452	TB741	5882781	GP871	5890587	GT446	5891297	BG820
55194045	JM5176	5636463	TB639	5882782	DP871	5890640	GP282	5891298	BG830
55194219	V98022	5850345	JD5982	5882900	GK590	5890642	GP282	5891300	BR070
55194993	V98020	5850674	JD5411	5888178	DR480	5890643	GT400	5891302	BR090
55194994	V98021	5878103590	GS435	5888179	GR480	5890645	GR620	5891303	BP520
55195680	V95015	5880010	DP130	5888217	GP282	5890646	DR620	5891307	BT420
55195892	AD5840	58800958	DD790	5888241	DR610	5890649	GR630	5891308	BT410
55195910	AD5850	5880416	GP011	5888261	GR620	5890650	DR630	5891321	JE480
55195911	AD5860	5880417	DP011	5888262	DR620	5890651	GP861	5891342	GR611
55197283	AD5830	5880420	FM872	5888318	GR630	5890653	DP689	5891343	DR611
55197598	JM5204	5880421	CM870	5888319	DR630	5890655	DP689	5891633	DR480
55197682	JD5375	5880424	FG615	5888447	DP292	5890657	DT446	5891634	GR480
55198843	AD5800	5880434	FN402	5888526	DP689	5890658	GT446	5891657	GT260
55198844	AD5810	5880435	CN400	5888534	GT300	5890664	DT446	5891658	DT260
55198845	AD5820	5880451	DP130	5888535	DT300	5890665	GT446	5891780	BP520
55199355	JD5375	5880639	GP01A	5888591	DT441	5890670	DT446	5891781	BP030
55200422	V98023	5880661	DP070	5888632	DV680	5890671	GT446	5891791	BD790
55200890	AD5840	5880662	GP070	5888634	DT290	5890672	GT423	5891795	GP011
55200891	AG7390	5880858	GD671	5888652	BP520	5890673	DT423	5891796	DP011
55201694	AD5850	5880858	GD790	5888653	BP510	5890674	DT446	5891797	FM872
55201695	AD5860	5880860	DD790	5888656	BP070	5890676	DT413	5891798	GR480
55202010	AG7400	5880948	BD790	5888657	BP110	5890678	DT420	5891801	GK590
55202011	AG7440	5880950	AM870	5888661	BK540	5890681	GT446	5891804	GD790
55202800	AG7310	5880951	FM872	5888663	BP130	5890683	DT441	5891806	GD671
55203784	TB794	5880953	FN402	5888664	BP190	5890683	DT442	5891806	GD790
55203785	TB787	5880954	CN400	5888989	DT410	5890684	DT441	5891807	DP013
55203786	TB676	5880956	CN400	5888992	GT410	5890685	GT441	5891808	GP013
55205183	V98006	5880957	GD790	5889087	GT400	5890690	DT410	5891810	GP070
55206232	AH6510	5880958	DD790	5889095	DT443	5890691	GT410	5891811	DP070
55206431	V98005	5881110	DP013	5889117	GT423	5890692	DT440	5891814	DP070
55208213	V95016	5881112	GP013	5889118	DT423	5890693	GT446	5891818	GK590
55210627	TB528	5881122	DP110	5889160	DT420	5890694	GV680	5891819	DR480
55210628	TB468	5881135	GP070	5889162	DT413	5890695	DV680	5891825	GT270
55211409	AH7370	5881137	DP070	5889163	DP688	5890696	GV680	5891827	DE588
55211410	AH7380	5881157	DP133	5889165	DT411	5890699	DT290	5891828	GJ852
55211411	AH7390	5881172	DP051	5889175	DP689	5890703	GV680	5891829	DR852
552142160	HBS465	5881189	DG811	5889180	DT420	5890704	DV680	5891831	GK590
55217612	TB787	5881360	DJ872	5889186	DP273	5890739	DS381	5891832	GP022
55221093	AH6880	5881508	GP021	5889190	GR611	5890764	GP282	5891833	DP022
55221094	AH6890	5881510	DP021	5889191	DR611	5890825	DP292	5891835	DP021
55354237	JM7103	5881645	GP070	5889193	DS570	5890851	DT446	5891839	DP292
55355572	V98025	5881647	DP070	5889194	GR611	5890981	DT270	5891840	GP051
5542219	BG540	5881650	DP110	5889195	DR611	5890982	GT270	5891841	GP051
5546438	GG541	5881652	DJ851	5889259	TB129	5891197	JM508	5891850	DT290
55557741	V98024	58816747	DP070	5890228	DT441	5891199	JN644	5891854	DR610
55560688	JM7102	5881688	DP130	5890229	GT441	5891200	LB414	5891857	DP688
55568529	EH5240	5881692	GK590	5890312	DT440	5891202	JN406	5891859	DP660
5569124	GG541	5881923	DR073	5890323	GT410	5891203	JN568	5891860	GP660
5607430	AY410	5881930	DP130	5890455	DT446	5891205	JA752	5891862	DR100
5607431	AY420	5881945	DG811	5890456	GT446	5891206	JE480	5891864	DP860
5607474	AG9580	5881970	GJ852	5890457	DT446	5891207	JE390	5891866	GV680
5607512	JM7102	5881971	DJ852	5890458	GT446	5891208	JD5155	5891871	GP871
5607839	AD5800	5882026	GK590	5890459	GT440	5891213	JD146	5891872	DP871
5607840	AD5810	5882029	DP022	5890461	GT446	5891214	JA777	5891879	DP292
5607841	AD5820	5882030	GP021	5890467	DT446	5891215	JA777	5891881	GT300
5607842	JM5259	5882031	DP021	5890468	GT446	5891220	JD021	5891882	DT300
5607843	AG7390	5882038	GP051	5890469	DT446	5891222	JC287	5891891	DT443
5607845	AG7400	5882039	DP051	5890470	GT446	5891271	BP070	5891893	DT420
5607847	AG7440	5882040	GP051	5890471	DT446	5891273	BP190	5891895	DP688
5607875	AD5840	5882041	DP051	5890473	DT446	5891274	BP130	5891902	GR611
5607876	AD5850	5882049	DV680	5890474	GT446	5891275	BP510	5891903	DR611
5607877	AD5860	5882265	DR610	5890475	DT446	5891276	BP110	5891905	DS570
5607895	AH5240	5882328	HT413	5890476	GT446	5891277	BP050	5891906	GR611
5607980	JM7103	5882343	DC027	5890480	DT446	5891279	BP110	5891907	DR611
563145	BL650	5882358	GV680	5890481	GT446	5891282	BE580	5891909	GT440
5636059	CAM711	5882461	DP688	5890483	GT446	5891284	BR090	5891909	GT446
5636060	CAM712	5882567	DP660	5890524	DP293	5891287	BD790	5891910	DT440
56363063	CAM654	5882568	GP660	5890584	DT440	5891287M	BD800	5891910	DT446

OE	OE	OE	OE	OE	OE	OE	OE		
5891911	GT446	5892376	GP282	5893774	GT441	60502831	NA5063	60548751	BT380
5891912	DT446	5892377	DT400	5893776	GT442	60502891	NA5063	60549557	BP990
5891913	GT446	5892378	GR630	5893811	JC723	60502913	NA5064	60552577	BW410
5891915	DP293	5892379	DR630	5893816	JN426	60502984	JA899	60558500	JD018
5891916	GT446	5892380	GP861	5894257	DR630	60503075	JH565	60558501	JC497
5891920	CN400	5892381	DP861	5894257	DR631	60503075	JJ450	60558505	JD235
5891921	DP190	5892382	GP282	5894379	DM533	60503099	AN350	60560701	NA5066
5891923	DP130	5892385	GP011	5894503	DP294	6050313	NA5065	60560702	NA5066
5891924	DP292	5892386	DP011	5894575	BR090	60503131	NA5065	60562594	VAG96188B
5891927	DD790	5892387	FM872	5894789	DS381	60503303	JN588	60562595	VAG96218
5891928	DP190	5892389	GD790	5894837	DW320	60503304	JA899	60563670	JD224
5891929	DD790	5892391	GD790	5894838	GW321	60504784	V91615	60563671	JD222
5891930	DP293	5892392	DP013	5894974	BV940	60504851	JD221	60564098	V91308
5891933	DG811	5892393	GP013	5895002	GW341	60504864	V91438	60565962	BW410
5891934	DJ872	5892394	GP022	5895003	DW340	6050500058	HR816	60566212	NA5163
5891935	DP293	5892395	DP022	5895155	DW710	60505485	BE620	60566396	BW290
5891936	DP051	5892396	DP021	5895156	GW711	60505488	BE620	60567018	BC370
5891937	DJ851	5892397	GP051	5895156	GW713	60506636	JD223	60567019	AN300
5891937	DP293	5892398	GP051	5895243	DW720	60507000	JE696	605670190	AN300
5891940	DT420	5892400	DR610	5895244	GW724	60507020	JE696	60567020	BH850
5891943	DG811	5892404	DS570	5895398	DW281	60507102	NA5066	60567604	NA5163
5891945	DV680	5892405	GR611	5895398	DW282	60507107	NA5066	60568808	JN814
5891949	DP051	5892406	DR611	5895399	GW281	605071070	NA5066	60568809	JN813
5891950	DP051	5892407	GT260	5895399	GW282	60507155	BK570	60570141	JD221
5891953	DT413	5892408	DT260	5895540	DT448	60507156	BP260	60570141	JH565
5891955	DP292	5892409	GT400	5895644	DX040	60507157	BK580	60570141	JJ450
5891957	DT420	5892410	GR620	5895645	GX041	605071720	JC928	60570142	JJ450
5891972	DE588	5892411	DR620	5895663	DX030	60507189	V91437	60570351	BT390
5891973	DT411	5892412	GP871	5895664	GX030	60507190	V91438	60570352	BT380
5891980	GT410	5892413	GR611	5921087	BP290	60507402	NA5163	60570617	NJ951
5891981	DP689	5892414	DR611	5930415	HR596	60507557	HR800	60572412	VAG96184
5891983	DP689	5892415	GT270	5936189	BK540	60507652	JD025	60572415	VAG96197B
5891987	DT413	5892416	DT270	5941935	BP130	60507653	JF123	60572819	HBS108
5891989	DT410	5892419	DT290	5942273	FOL126	60512669	NA5066	60572823	HBS108
5891990	GT410	5892420	GT300	5942727	V91288	60512948	JN808	60573536	JD587
5891992	GT400	5892421	DT300	5942728	V91289	60512949	JN807	60579200	VAG96268
5892007	DT440	5892422	GV680	5943565	BK540	60513135	JJ515	60579202	VAG96260B
5892007	DT446	5892423	DV680	5945253	JN426	60513181	JD222	60581645	AN350
5892008	GT446	5892424	GV680	5950297	CAM641	60513311	JN812	60581846	AN350
5892009	DT440	5892427	DT290	5951664	BP290	60513316	JN812	60582738	V94210
5892009	DT446	5892431	DP273	5951675	BK540	60513350	KV086	60582739	V94211
5892010	GT446	5892434	DE588	5951683	BJ850	60513358	KV086	60583742	JC928
5892011	DT440	5892436	DP273	5952256	BK540	60513869	JD586	60584488	AY630
5892011	DT446	5892438	DP273	5953041	V91394	60513941	FOL130	60586217	HL701
5892012	GT446	5892439	GR100	5953970	BJ850	60514910	BP990	60589234	BK570
5892013	DT440	5892440	DR100	5959226	JJ298	60515780	NA5066	60591809	BP990
5892014	GT446	5892441	GJ872	5962711	AC5140	60515781	NA5066	60591810	BE620
5892015	DT446	5892672	DT441	5962712	BT230	60515793	JA829	60591811	BE620
5892016	GT446	5892673	GT441	5962713	BT240	60521575	V90388	60591812	BP990
5892341	DT440	5892678	DT752	5962714	AC5140	605226920	JN581	60596115	BW710
5892341	DT446	5892690	DW260	5962715	BT230	60523	JN811	60596116	BW720
5892342	GT446	5893002	DT440	5962716	BT240	60523241	BH850	60602071	AY640
5892343	GT423	5893002	DT449	5966008	JN645	60523245	BC370	60603436	NA5069
5892344	DT423	5893003	GT440	596842	BM530	60525029	JD014	60604889	TB703
5892345	DT446	5893004	DT446	5970285	BP280	60525316	JN811	6060500058	HR5062
5892347	DT420	5893005	GT446	5972336	JA777	60525336	V91622	60605739	VAG96262
5892349	DT446	5893177	DP292	5973129	V91762	60525337	V91623	60605898	BK580
5892350	GT446	5893282	DR632	5975341	V91636	60525822	BT340	60605899	BP260
5892351	GT441	5893329	DT440	5980056	JN568	60534406	HR815	60605900	BK570
5892352	DT441	5893329	DT449	5984010	BT410	60534424	JC497	60607218	HL700
5892353	DT441	5893330	GT440	5984039	BP280	60534664	JN806	60607219	HL700
5892353	DT449	5893340	DT441	5984091	BG820	60534664	JP004	60607745	AY610
5892354	GT441	5893400	DT448	5984092	BG830	60534705	JD018	60608122	AY620
5892364	GP070	5893560	GT442	5984255	FOL171	60535949	HR801	60608894	AY500
5892365	DP070	5893658	GP285	5990532	V91767	60540325	V91630	60608894	BW720
5892367	GJ852	5893692	GT401	5990533	V91392	60540326	V91629	60608895	BW710
5892368	DJ852	5893693	DT401	5994226	JN667	60542965	JN810	60609156	BW410
5892369	DP660	5893767	DT441	5997543	BP300	60544360	KV102	60609159	JN940
5892370	GP660	5893767	DT447	5999103	BP290	60546397	JD565	60609978	JP070
5892371	DP860	5893768	GT447	602828510	BW410	60548448	BT340	60609979	JP071
5892374	DP871	5893773	DT441	6040500058	HR791	60548495	HR800	60610985	NA5163

OE INTERCHANGE

OE-Vergleichsliste • Intercambio con OE
Références croisées 1ère Monte

OE	OE	OE	OE	OE	OE	OE	OE		
60611305	TB532	60750652	CN353	60778168	FF24R	60812382	TB732	6165498	NA5177
60611531	JD273	60755016	BE620	60778171	GC374	60812490	BW720	6165499	NB959
60611545	JD466	60755077	GT340	60778172	GC374	60812654	FOL145	6165500	NB959
60616864	BY390	60777052	DC372	60778173	GC374	60812729	JD273	6176471	NB959
60616867	HBS262	60777054	DT350	60778175	DE623	60812981	V91932	6185177	BT520
60618726	TB532	60777057	DW260	60778179	DC372	60812982	V91931	6185178	BT520
60619673	BY390	60777058	GT350	60778181	DH854	60813045	JC738	6185181	BT510
60620887	TB732	60777059	GC374	60778182	DC372	60813203	TB532	6185182	BT510
60621381	JD466	60777062	DH854	60778234	GK572	60813241	AY640	636836	NC006
60623146	FOL130	60777105	GT340	60778235	DK570	60813258	JP071	636838	NC006
60625128	TB528	60777118	DE623	60778236	GK570	60813259	JP070	636841	NC006
60625130	TB468	60777155	GW280	60778236	GK572	60813598	VAG96124	638196	NA5069
60630269	JD224	60777156	DW280	60778304	DW260	60813598	VAG96203	638199	NA5108
60654310	NF888	60777247	DW260	60778304	DW261	60813744	JD468	640001	FOL129
60655592	JM5002	60777317	DC372	60778459	GK572	60813760	BT380	640039	FOL187
60655830	NF888	60777319	DH854	60778648	DT443	60814219	AC5140	640051	FOL38
60656340	TB528	60777321	DT350	60778648	DT448	60814219	BV680	640059	FOL38
60656342	TB468	60777615	DW410	60778765	DT340	60814220	AC5150	641072	V95015
60659190	AA5420	60777616	GW410	60778829	DW260	60814221	AC5180	641073	V94588
60659746	JD466	60777695	JD221	60778829	DW261	60814222	AC5160	641074	V94588
60659747	JD271	60777697	JE696	60778968	GK573	60814319	TB468	641075	V94588
60659758	AA5420	60777724	DT443	60778969	GK573	60814374	NF888	6420500080	FOL190
60664260	JA5007	60777747	JN588	607960	HBS055	60814599	AY520	642500	PA5025
60664642	AA5420	60777756	JA840	60800018	FOL104	60814600	AY530	642504	HR5088
60665425	HBS262	60777771	CN306	60805104	JC662	60814601	AY540	64611495	FOL100
60667293	JM5024	60777775	CN306	60805718	NA5053	60814602	JP063	6461884	BW350
60667294	JM5023	60777776	CN306	60805835	HR800	60814603	TB639	646299	NA5174
60667495	AA5420	60777780	CN306	60806695	BT400	60814604	V94065	646910	NA5223
60670506	TB468	60777781	CN306	60807143	JD153	60814605	V94064	6535949	HR801
60671874	AD5870	60777790	DT420	60807260	TB579	60814724	CY550	6606019	CH5242
60672888	TB528	60777792	DT420	60807357	HBS092	60814725	FY550	6650500025	FOL190
60674496	V94591	60777795	GT340	60807621	HBS093	60814952	JP064	6650501025	FOL190
60674528	TB532	60777797	GT350	60808083	NA5163	60814966	AY550	6663814	NB959
60674888	TB528	60777939	DK570	60808412	JN808	60814967	AY560	6680500180	FOL190
60674890	TB468	60777939	GK570	60808630	JN807	60814968	AY570	67332295	HBS033
60677983	AD5950	60777952	DC372	60808640	BR680	60814969	CY520	6804674	FOL123
60700088	JP004	60777953	DH854	60808640	BV680	60814970	FY520	6945586	FOL123
60709171	AF240	60777955	CN306	60808641	BV690	60815726	JC738	6957756	FOL151
60711523	AN300	60777957	DH854	60808642	BW980	60816179	JA5035	6C106051AB	AH6390
60713115	FF24R	60777958	DC372	60808659	JN459	60816183	JA5036	6C106051BB	AH6400
60713116	CF24N	60777959	DH854	60809415	TB474	60816184	FY550	6C106051CB	AH6410
60714997	BC370	60777962	GC374	60809643	BV680	60816185	CY550	701349529	HR300
607208	HBS416	60777967	CN353	60809644	BV690	60816186	FY520	702219	BL650
60722008	FF24R	60777968	DE622	60809645	BW980	60816187	CY520	7029357	BK540
60722057	FF24R	60777970	DE622	60809849	NA5053	60816190	AA5420	70HM6266AA	TB192
60723677	BC370	60777971	CN353	60810438	VAG96263	60816233	AA5561	70HM6268A1A	TB192
60723678	BC370	60777978	GC374	60810586	BT390	60816234	AA5571	70HM6268A2A	TB192
60724725	DC372	60777982	DE623	60810669	HR800	60816235	AA5581	70HM6268AA	TB192
60724921	BH850	60777984	GW280	60811086	VAG96123	60816385	JM5028	71711023	DW721
60725751	DH854	60777986	DW260	60811086	VAG96146	60816423	AA5420	71711024	GW721
60727820	CN306	60777995	DC372	60811087	VAG96229	60816451	FA5560	71711143	GY411
60728351	DH854	60777997	DH854	60811089	VAG96145	60816452	FA5560	71711144	DY410
60730162	DC372	60777999	DT350	60811090	VAG96230	60816453	CA5560	71711279	DW711
60732778	DK570	60778001	DW280	60811136	TB468	60816562	AA5780	71711280	GW711
60732780	DK570	60778051	DR040	60811153	V91933	60816563	AA5790	71711493	DW322
60732780	GK570	60778115	GW281	60811154	V91934	60816564	AA5800	71711517	CY320
60733096	GK570	60778116	DW280	60811160	FOL145	60816595	CA5780	71711518	FY320
60733352	JD018	60778116	DW281	60811349	JD271	60816719	TB532	71711735	DY390
60734690	CN306	60778151	FF24R	60811572	HR800	6134416	JN594	71711736	GY390
60735201	DH854	60778152	GC374	60811872	HR800	6139910	TB192	71711936	DY382
60735218	BH850	60778153	DC372	60811964	NA5187	614811	NB698	71711967	CY640
60737369	VAG96267	60778154	DH854	60812037	NA5163	614819	NB806	71711968	FY640
60741414	DT350	60778156	DH854	60812121	AC5140	614820	NB698	71712360	CY520
60743551	DW260	60778157	DC372	60812121	BV680	614821	NB698	71712361	FY520
60743841	GC374	60778158	DC373	60812122	AC5150	614827	NB806	71712434	CY620
607493	AY400	60778158	DH854	60812122	BV690	614829	NB806	71712435	FY620
60750004	DT420	60778159	GC374	60812123	AC5180	614830	NB698	71712630	AA5550
60750006	DT420	60778161	CN353	60812123	BV700	614860	NA5230	71712830	FY550
60750222	VAG96261	60778162	DE622	60812124	AC5160	6155561	BT520	71712831	CY550
60750597	DE622	60778164	DE622	60812124	BW980	6155565	BT510	71712889	CY610
60750651	DE622	60778165	CN353	60812344	TB468	6155579	NA5177	71712890	FY610

OE	OE	OE	OE	OE	OE	OE	OE		
71712891	AA5520	71719751	CE5180	71744288	CD5820	7553561	NB815	7625273	JD021
71713031	DX030	71719779	EA5420	71744288	FD5820	7553616	HR599	7625500	BT410
71713032	GX030	71728337	GX410	71744388	V98025	7553616	HR800	7625504	JC662
71713041	NF888	71728339	GX392	71744395	AH5240	7553636	HR596	7628414	JD013
71713629	DY391	71728825	EV684	71744413	JD5982	7553637	HR805	7628850	NA5070
71713630	GY391	71728826	EB5150	71746353	TBK314	7554279	NB815	7630180	BR680
71713631	DW722	71728827	EV670	71747638	CG7310	7554363	JJ453	7630181	BV690
71713632	GW722	71728831	EA5780	71749474	TB660	7554701	TB129	7630182	BR700
71713633	DW712	71728839	EE5180	71753156	TB787	7554851	JP049	7630182	BV700
71713634	GW712	71728880	EE5242	71753175	BT230	7554963	JJ471	7631023	BP520
71713675	DW322	71729223	JA5005	73001262	NP068	7555140	BR620	7631024	BP030
71713695	DX391	71729498	ED5800	7300877	JC055	7564332	BR630	7636480	JD022
71713696	GX410	71730147	EA5420	7301198	NP067	7564650	BV680	7637103	BP860
71713723	CY640	71730148	EA5420	7301262	NP068	7564651	BT230	7638954	JC662
71713724	FY640	71730149	ED5960	7301481	JN462	7564651	BV690	7640074	BP300
71713861	AY470	71730213	EE5181	7301683	JJ100	7564652	BT240	7640074	BT400
71713924	AY500	71730214	CD5840	7301820	V91292	7564652	BV700	7640783	BP660
71713956	AY480	71730404	EE5181	7301821	V91293	7565472	VAG96210	7640784	BP280
71713987	GY680	71731639	TB639	7302157	V91294	7574742	V91638	7641616	BJ860
71714093	AY510	71732900	CE5181	7302293	JN594	7574881	V91307	7641616	BJ880
71714142	CY610	71734258	ED5910	7302473	BR070	7574959	BT860	7644534	BR620
71714142	CY611	71734259	CD5910	7302582	JJ317	7574967	JN643	7645030	BJ850
71714143	FY610	71736222	ED5970	7302624	JN585	7575382	JN928	7646223	JD148
71714143	FY611	71736243	CE5181	7303076	JC706	7575386	JD153	7646248	JJ413
71714940	DW723	71736315	CG7381	7303161	DR073	7575665	BP860	7646725	TB660
71714941	GW723	71736714	TBK094	7303309	V91400	7579741	BP280	7647596	JJ398
71715110	BV940	71736715	TBK089	7303596	BR090	7579742	BP280	7648057	BV670
71715130	AE5550	71736717	TBK313	732101M1	V3251	7580221	BP860	7648248	BP520
71715448	AY460	71736718	TBK277	73500063	JM5259	7581344	HR599	7648249	BP520
71715698	DZ790	71736719	TBK314	73503122	FOL106	7581344	HR646	7648251	HBS279
71715698	GZ790	71736720	TBK037	7433517893	HR800	7581344	HR800	7649849	JJ449
71715699	DZ790	71736725	TBK345	7500713	HR599	7581743	HBS052	7650355	HR599
71716050	FA5560	71736726	TBK283	7500713	HR646	7582158	HR599	7650612	HBS097
71716051	CA5560	71736727	TBK356	7500716	HR816	7588577	V91321	7650916	V91936
71716583	JA5005	71736729	TBK207	75134	DE622	7589788	BP110	7651738	LB414
71716584	JA5005	71736795	TBK104	7533476	BP520	7596552	BT400	7651739	JN644
71716585	JA5005	71736913	ED5800	7533479	BP520	7596614	JN667	7653650	HBS095
71716684	JA5010	71737120	GR620	7533622	NB825	7596714	JC738	7657305	JN804
71716868	DV672	71737128	DR620	7537664	JC660	7596968	BP660	7659062	TB474
71716869	GP286	71737153	CD5960	7537667	V91287	7597077	JD019	7659102	BV680
71716870	DY383	71737163	CY320	7537668	V91286	7597077	JE744	7659103	BV690
71716871	GY383	71737164	FY320	7537684	BP660	7597080	V91305	7659104	BV700
71717683	CA5420	71739214	JD5868	7539929	BP030	7597553	BT300	7659618	JD151
71717685	CA5420	71739686	V98004	7540289	BT420	7597555	BT320	7660565	JN643
71717833	FY550	71739873	TB741	7540290	BT410	7597565	V91659	7660759	JN803
71717834	CY550	71739918	TB320	7540379	BT440	7597566	V91658	7660771	FOL119
71717836	CY520	71739919	TB175	7541092	JN587	7597832	JN809	7660966	BT440
71717900	CA5421	71739922	TB419	7541250	BT860	7604263	BT410	7662197	BT410
71717901	CA5421	71739933	CE5180	7541251	JN666	7604264	BT420	7662227	V91289
71718011	GX392	71739945	CG6220	7541252	JC723	7604403	BR620	7663366	JJ453
71718012	DX392	71739971	CA5561	7541776	BJ860	7604404	BR630	7665093	JD067
71718045	CA5590	71740083	EG7390	7541777	BJ870	7609752	JC738	7666227	V91289
71718129	FA5560	71740084	EG7450	7541778	BJ880	7609772	V91300	7666228	V91288
71718130	CA5560	71740296	CE5241	75452930	JB869	7610498	JD013	7666858	BR620
71718142	CB5150	71740655	CG7380	7545293080	JB869	7611679	VAG96181B	7667675	BR630
71718333	CA5780	71740678	JM7099	7545293080A	JB869	7613726	HR5064	7668195	JD151
71718365	NF888	71740681	NA5057	7545293080B	JB869	7614999	TB579	7669581	JF145
71718389	GP286	71740961	CG7410	7545947	BP280	7616679	BT860	7669585	JJ440
71718390	DP286	71740962	EG7410	7546875	JN644	7616992	VAG96199	7672168	BT410
71718658	CA5560	71740964	CG7390	7546876	JN644	7616998	VAG92496	7676324	JN948
71718659	FA5560	71741112	V98001	7546877	JN644	7617500	V91306	7677631	JC738
71718738	LK5001	71741113	V98002	7547158	V91291	7621070	JD022	7678282	JF150
71718831	HA5005	71741374	CE5242	7547400	V91765	7621071	JD022	7681975	V94795
71718852	CD5970	71741916x10	HBS497	7547597	CAM719	7624874	BR680	7683521	V94793
71718853	FD5970	71741918	AG8180	7548076	TB579	7624874	BV680	7683522	V94795
71719643	TB608	71744285	CD5810	7552551	BT410	7624875	BV700	7684064	JN948
71719648	TB468	71744285	FD5810	7552552	BT420	7624876	BR700	7688249	BP520
71719649	TB528	71744286	ED5810	7553004	V91655	7624876	BV690	7688450	JN667
71719651	TB639	71744286	FD5810	75530731	JN426	7624876	BV700	7694363	BT260
71719652	TB649	71744287	ED5820	7553073180	JN426	7624876	BW980	7694624	BT260
71719654	CE5181	71744287	FD5820	7553561	NB814	7625272	JD021	7696197	HBS052

OE INTERCHANGE

OE-Vergleichsliste • Intercambio con OE
Références croisées 1ère Monte

OE	OE	OE	OE	OE	OE	OE	OE		
7698712	JD019	7701471771	TBK037	7750406	BX040	7910018525	BM530	9063193	HR791
7700101348	NA5053	7701471772	TBK063	7751688	BT860	795192	DE622	9111027	TB368
7700104839	HR599	7701471773	TBK039	7752460	BT260	795193	CN353	9146603	HR800
7700490	BR680	7701471774	TBK102	7755742	JD067	795365	DR040	915035000028	PA349
7700490	BV680	7701853	JN643	7755744	JJ471	7958073	V91638	91505109	BL650
7700491	BV690	7702774	JN459	7757052	VAG96123	8012426	BJ850	91505110	BL650
7700492	BR700	7702873	BP290	7758731	HBS131	8096541	AY690	91505500	JC415
7700492	BV700	7703032062	PA349	7759146	BR680	8096682	JC055	91505787	BL650
7700500971	JB851	7703062003	PA349	7759147	BT230	8096748	BR070	91506974	BM530
7700501503	JB851	7703062062	PA349	7759148	BT240	8096764	BE580	91508054	JN547
7700540568	JB851	7703062063	PA349	7759619	FOL145	8096780	AY300	91509974	BM530
7700579	JD5997	7703087097	NF722	7759873	JD152	8096910	BX410	91515138	NF817
7700581	JD153	7706068	HR800	7761598	JD225	8096911	AY590	91517355	JN596
7700618657	TB114	7706480	JF145	7762910	TB470	8096930	DX391	91520521	BM530
7700658325	HR599	7707675	JD019	7764914	TB608	8097064	AY290	9152052180	BM530
7700666350	TB114	7708317	JN934	7765224	JD013	8097066	AY310	91535017	V91277
7700666593	TB126	7708513	BT400	7765227	JD225	8097075	BX420	91535019	V91275
7700666593	TB126	7708514	JD022	7765454	JC738	8097421	CY680	91538297	BM530
770067280E	AD5190	7709257	BT410	7766037	JD150	8112180	BP660	915386	BR510
7700683866	JB851	7709257	BT440	7766203	BW330	81SM6700AA	NB959	91538611	BL650
7700733464	HR300	7709259	JA757	7766236	JN933	82293355	HR599	9153861180	BL650
7700736465	HR599	7709435	BT400	7766268	BW321	82347860	JE744	91538612	BR510
7700736465	HR646	7709658	JP049	7766412	JN928	82380384	JC662	91538926	NF817
7700736465	HR800	7709714	HR800	7766564	V91933	82473209	JE744	9153974080	BL650
7700737124	HR569	7709978	LT439	7766565	V91934	833347	HR801	91539812	BL650
7700737124	HR805	7710013	JN805	7766565	V94582	849219	JD5413	9158057	PA5025
7700744596	FOL145	7710162	HBS092	7768026	JN972	84HM6268AA	TB192	9161131	TB368
7700744797	NB866	7710579	TB468	7770334	V91929	8528623	JB851	9161179	TB558
7700747291	NA5053	7710582	HBS132	7772358	JD226	8653649	TBK338	9162107	TBK102
7700749395	NA5053	7710582	HBS133	7772495	JD146	8653650	TB742	9162593	GX392
7700854842	NF817	7711030	JD198	7773831	JN973	8653739	NA5191	9230949	JD5868
7700872860	AD5190	7712114	V91927	7774591	TB474	8653739	NA5192	92810460100	HR599
7701026263	BE580	7713699	FOL101	7775802	JD227	8659744	V94491	92810460107	HR800
7701031953	JN594	7715139	JD151	7775920	HBS227	86HM6700A6A	NA5177	928M6700B5A	NB959
7701034967	JC054	7715492	HL701	7775920	HBS257	86HM6700AA	NA5177	928M6700BA	NB959
7701035019	NF833	7715789	JN819	777614000	FOL100	86SM6700A1A	NB959	93010242	JJ283
7701035242	TB368	7716337	HC027	7777153	BP280	86TM6051A4D	BT520	9301024280	JJ283
7701035740	NP067	7716337	JJ449	7777226	JJ605	86TM6051AD	BT520	93010362	TB175
7701035740	NP068	7719118	BT300	7778140	FOL100	86TM6083A4D	BT510	93010362	TB560
7701035770	JN969	7719720	BT320	7779904	BW340	86TM6083AD	BT510	9301036280	TB560
7701038393	AY300	7722331	TB607	7779905	BW350	86TM6571AB	HR801	93010364	TB175
7701038871	BE580	7722907	V91935	7779906	BW360	881202	JM333	93010364	TB560
7701040009	AY290	7724059	BR630	7780108	VAG96273	88TM6051A2A	BT520	93010402	JC423
7701040010	AY300	7724244	JD148	7782288	BJ860	88TM6051A4A	BT520	9301040280	JC423
7701040011	AY310	7724588	CAM648	7783225	V91938	88TM6051AA	BT520	9301337280	FOL109
7701040104	CAM718	7724665	NA5061	7783841	V91282	88TM6083A2A	BT510	930781	HR800
7701040490	AB5110	7732314	JD5155	7784728	JN805	88TM6083A4A	BT510	93161686	FOL187
7701041926	NF883	7732676	TB462	7785805	BR680	88TM6083AA	BT510	93161686	FOL190
7701042340	NP067	7735415	JA5036	7785805	BV680	90013344	TB320	931770303	CAM712
7701043299	NP068	7735898	V91931	7785806	BV690	9001334480	TB468	93177249	AD5800
7701043483	TB368	7735899	V91932	7785807	BT240	90091903	NC006	93177250	AD5810
7701044092	NF883	7736289	BW340	7785807	BV700	90091926	NB698	93177251	AD5820
7701044093	NF885	7736290	BW350	7785807	BW980	90156007	NC006	93177255	JM5259
7701044188	TB558	7736291	BW360	7788641	BJ870	90180515	NB698	93177284	NA5230
7701044224	BX390	77363787	HA5053	7789503	BJ880	902071	HC027	93177310	HR5088
7701044225	BX400	7737607	JP019	7792168	BT300	90233236	NB698	93177316	FOL187
7701044226	BX410	7737614	CAM649	7792170	BT320	90233238	NB806	93177328	JD5411
7701062312	FOL190	7738383	JN805	7794462	JN568	90264658	NB808	93177335	JD5413
7701203212	DS381	7738687	JN643	7795992	HBS247	90280462	NB806	93177676	V95015
7701204563	DE588	7741845	JN669	7797034	JP049	90285291	NC006	93177701	NA5223
7701204926	DE588	7741847	JD5155	7798620	V91937	9031185001	NF857	93178529	CAM654
7701348227	JB851	7742042	JC973	7812103000	HR300	90325572	NB806	93178546	FOL104
7701348801	TB114	7742320	TB660	7812103200	HR300	90352112	NB698	93178587	V94588
7701404452	HR397	7742758	BT300	7812103200	HR363	90412701	HBS055	93178811	TB639
7701461929	NB946	7742760	BT320	7812103800	HR300	90500805	NA5069	93178812	TB790
7701461930	NP067	7744000	BX040	78EM6734AA	PA349	90509386	FOL129	93180815	TB741
7701461930	NP068	7745836	BP520	7903062003	PA349	90531106	PA5025	93185336	TB639
7701463603	V91292	7745837	BP520	7905108000	NF857	90571925	NA5108	93185523	V94588
7701467249	V91940	7749148	BT240	7910009720	JB841	9059169	HR363	93185729	JD5982
7701471769	TBK045	7749709	JC660	7910009723	JN244	9059169	HR569	93186122	AH5240
7701471770	TBK037	7750404	NF888	7910011371	JN544	9060530358	HR801	93186911	CH5240

OE	OE	OE	OE	OE	OE	OE	OE		
93190885	CH5242	9464640380	TB742	96136745	HBS125	9635967180	AC5012	97533264	V91273
93192070	JD5993	9467538580	TBK106	96137360	V91145	9635967280	AC5020	97533266	V91271
93501128	NF841	9467544580	TBK355	96141369	TB346	9635967380	AC5032	9790018200	DM530
93501444	JN544	9467565880	TB724	96141369	TB419	9635967480	AC5040	9790018300	DM530
9350144480	JN544	95100257	HR599	96142525	TB175	9635967580	AC5052	98410475	AB5100
93501573	CAM354	9543465	NA5069	96142525	TB560	9636017380	AD5300	98410476	AY590
93501758	FOL73	95493121	BG540	96142597	TB175	9636179280	AH5050	98418161	V91940
93502226	JJ283	95494183	BG540	96142597	TB560	9636180080	AH5070	98419390	TB368
93510091	TB175	95512889	NA5057	96147032	V91970	9636848480	FOL190	98424150	JN585
93510091	TB560	95542219	BG540	961494980	NA5191	9637053980	TB683	98424150	JN969
93510179	CAM354	95569123	DG542	9614972480	BM530	9637122980	TB720	98425767	JC054
93510415	V91144	95569124	GG541	9616067680	BV140	9637123580	TB720	98427672	CAM718
93510773	V91145	95591804	JC415	96160677	BV140	9637240580	TB683	98427674	CAM681
93510774	V91145	9559180480	JC415	96182679	TB727	9637513980	TB678	98427939	JJ515
938M6500A1D	FOL123	95602513	DJ720	9618337580	TB727	96375140	TB678	98427996	NB946
938M6500A1E	FOL123	95602514	GJ720	9618603280	BG540	9637514080	TB678	98427998	NP067
938M6500A2D	FOL123	9561800	HR569	96190676	BY310	9637858380	FOL190	98428409	NP068
938M6500A2E	FOL123	95639605	TB346	9619100480	BY310	9637914580	TB724	98432857	LS856
938M6500A2F	FOL123	95639605	TB419	9619659980	BY310	9637914680	TB724	98432884	LS857
938M6500B2A	FOL123	95644580	DJ720	9619659980	BY320	9638075480	FOL115	98434020	JC055
9400127459	NA5192	95644580	GJ720	96197793	TB346	9640296380	FOL163	98436545	NF853
9400197139	GM533	95644581	DJ720	96197793	TB419	9640669280	TB720	98450599	AB5110
9400197149	DM530	95650948	DS820	9619779380	TB346	9640810680	TB720	98448817	AB5110
9400197169	DM533	95650949	DS820	9619779380	TB419	9640828680	TB742	98451055	NP068
9400197369	GJ720	95654054	DV150	96197874	TB479	96411866	JN808	98454039	NP067
9400197379	DJ720	95655248	DV150	96200344	TB479	96411875	JN812	98454041	NP067
9400197849	DM533	95655249	DV150	9620571080	JD5972	96411878	JJ451	98454045	NP067
9400209239	BM530	9566937980	DS820	9621469980	JC759	96411879	JJ452	98454045	NP068
9400807289	NA5035	9567221180	DJ720	9621917180	BX930	9643596780	AD5150	98454057	NF853
9400816190	TB683	9567223980	EL890	9621917280	BX940	9643597080	AD5130	98461673	NF885
94008165	TB175	9567223980	GJ720	9621917380	BX950	9643597180	AD5140	98468338	V91939
94008165	TB560	9567224080	JC991	9621917480	BX960	9643597380	AD5160	98471766	BR070
9400816549	TB320	9569757780	JD6023	96223131	TB631	9643597480	AD5170	98472291	JN956
9400816589	TB175	95W665718A	HR599	9623068080	BX880	9645717480	TB724	98480250	BE580
9400816589	TB560	96003672	V91144	9623068180	BX890	9645717580	TB724	98482291	AY310
9400816939	TB631	96005391	V91144	9623068280	BX900	9645863080	NA5191	98482940	NF853
9400816969	TB632	96005977	HBS038	9623068380	BX910	9645863280	NA5192	98492142	EW091
9400816989	TB479	96007817	V94169	9623068480	BX920	9647610080	TB683	98492149	EW091
9400831069	TB346	96008334	V94169	9624835280	CAM679	9648968580	TB724	98492150	DS381
9400831069	TB419	96008902	BL650	9624851880	AA5830	9651513280	AH5040	98492152	DR073
9400831119	TB320	9600897480	BR510	9624851980	AA5840	9652803180	AD5701	98492580	AY290
9400831119	TBK035	96010048	JC759	9624852080	AA5850	9653226680	TB720	98492581	AY300
9400831279	TBK020	9601004880	JC759	9624852180	AA5860	9653226280	TB720	98498291	AY310
9400831349	TBK344	9601136380	V91144	9624852280	AA5870	9659795080	TB724	986955	JH310
9400831409	TBK106	96014480	NF817	96252153	TB631	9660035980	V98028	986984	JA752
9400831489	TBK113	96020124	HR599	96261574	TB632	9660534980	AH6400	987057	KG393
9400831529	TBK035	96020124	HR800	9626157480	TB632	9660535080	AH6410	988803	JE480
9400831559	TBK279	96027105	FOL126	9627184380	V94490	9660640080	V98029	99310411101	HR805
9400831589	TBK105	96028464	JC415	9628139180	BX980	96700311	V91300	99425767	JC054
9400831609	TBK303	9603104288	CAM373	96289433	V94175	9676718180	V95083	9942588	JP069
9400831629	TBK106	96034899	JD230	96290822	TB632	9677399780	AD5701	99430005	BX390
9400831789	TBK106	96042653	JJ283	9629082280	TB632	9682002980	AH7290	99430032	TB558
9400831829	TBK106	96049648	TB320	96298611	V94176	9682013280	AH7300	99432353	BX400
9400831889	TBK279	9604964880	TB468	9630117480	AH5040	9682013380	AH7310	99432354	BX390
9400831929	TBK338	9605348380	NF867	9630117580	AH5060	9682013580	AH7320	99432652	V91301
9400956489	HR5046	96058570	TB346	9630142380	JM5087	97002474	HBS039	99432717	V91302
94145839	BX040	96058570	TB419	9631366780	AD5490	97506647	HR805	99432718	V91304
9454053	NB946	96059361	V91972	9631366980	AD5500	9750664780	HR805	99432837	V91994
9456002680	BR510	96059362	V91970	9631367180	AD5510	9751080000	NF857	99433965	NP067
9456033280	BM530	96059994	HBS087	9631367380	AD5520	9751080080	NF857	99442951	HBS255
9456043880	JC423	96065269	NF817	9631424480	JD5881	97510801	NF870	9944352	DS381
9456043980	JD5972	96073848	HBS084	9632372480	FOL190	97510802	NF817	99447458	NF883
9463330180	JM7121	96075122	BL650	9632959380	TB727	97523053	JN658	99453418	NF883
9463377480	JM5139	96079213	V94170	9633089580	FOL150	97531044	V91273	99453418	NF885
9463377580	JM5283	9608064880	JP045	9633923080	TB479	97531080	V91271	99456476	TB368
9463380180	TB678	96100168	TB346	9633923180	TB479	97531278	HR599	99456477	TB558
9463380380	JM5141	96100168	TB419	9634437580	V94491	97531278	HR646	99458402	BX420
9463380680	TB632	96105057	JC991	96350076	TB683	9753127800	HR599	99460983	BX410
9464034380	TB720	9610505780	JC759	9635007680	TB683	9753127880	HR646	99461498	AY580
9464396380	FOL190	96109183	V94170	9635007780	TB683	97531988	HR646	99461499	AY590
9464464980	TB683	96133146	BL650	9635317980	V94438	9753198880	HR646	99462588	JP069

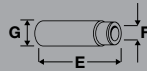
OE INTERCHANGE

OE-Vergleichsliste • Intercambio con OE
Références croisées 1ère Monte

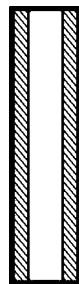
OE		OE	
99468744	NF883	SE700006121B	BG820
99477116	GX410	SE700006121C	BG830
99477119	DX391	SU00100085	TB631
99477120	DX390	SU00100544	TB720
99487487	GX410	SU00100558	FOL190
99488483	JJ519	SZ00100083	CAM373
9M506051AA	AH7290	V97DD6051AA	AY400
9M506051BA	AH7300	V97DD6051BA	AY420
9M506051CA	AH7310	V97DD6051CA	AY410
9M506051DA	AH7320	X039442760	HR646
9S516659EA	NA5057	X03962184	HR805
A133798	V91622	XS7Q6385AB	NA5030
A133799	V91623	XS7Q6571AD	HR5082
A134957	V91629	Y40112101A	FOL190
A134958	V91630	Y40112205	TB720
A850X6014AUA	DM530	Y40112205A	TB720
A850X6014CBA	DM710	Y40113460	JD5829
A850X6014CCA	DP070	Y60110235	JM7034
A850X6014CDA	DP130	Y60112205	TB724
A850X6014CKA	DP190	ZC9000271	DM530
A850X6014DUA	DP011		
A850X6014EFA	DP110		
A850X6014HEA	DM530		
A850X6014JCA	DJ852		
A850X6014JHA	DG811		
A850X6051RA	BG820		
A850X6051SA	BG830		
A850X6584AEA	JN283		
A850X6584AGA	JM085		
A850X6584AKA	JM333		
A850X6584AMA	JN244		
A850X6584BCA	JM663		
A850X6584DDA	JN459		
A850X6584EEA	JN462		
AEU2078L	HBS105		
AEU2078L	HBS106		
AEU2078L	HBS107		
AEU2078L	HBS186		
AEU2083	HBS105		
AEU2083L	HBS105		
AEU2083L	HBS106		
AEU2083L	HBS107		
AEU2085L	HBS105		
AEU2085L	HBS106		
AEU2085L	HBS107		
AJM4460	JN581		
BAU5092	BK580		
BAU5093	BP260		
BAU5094	BK570		
BL18T1007040	FOL190		
D176404A2	HR397		
GEG1257	DK570		
LBUS5825	TB175		
LGR10002	FOL106		
LGR100100	FOL106		
LHN10013	TB175		
LHN10013	TB560		
LHN10015	TB175		
LHN10015	TB560		
LHN100310B	TB175		
LUF100540	NA5104		
LUF100540L	NA5104		
MN960097	FOL190		
N0138452	PA349		
RTC4892	JN581		
SE020000020A	GP011		
SE020000032A	DP011		
SE020004000A	HC027		
SE039442760	HR646		
SE039442760A	HR599		
SE700004221A	JJ136		

VALVE GUIDES

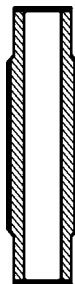
Ventil Führung • Guia De Valvulas • Guides De Soupape
 Guide Valvola • Prowadnice zaworów
 Направляющие Клапанов • دليل الصمام



	F (mm)	G (mm)	E (mm)	
VAG96271B	6.000	11.060	40.000	VG3
VAG96272	6.020	10.030	39.700	VG3
VAG96119	6.030	10.540	41.500	VG1
VAG92364	7.000	13.070	42.500	VG3
VAG92401	7.010	13.060	47.500	VG3
VAG96188B	7.020	12.090	40.050	VG3
VAG96218	7.020	12.090	40.500	VG3
VAG96145	7.020	13.030	46.000	VG3
VAG96123	7.020	13.050	42.250	VG3
VAG96273	7.020	13.060	40.000	VG3
VAG96230	7.020	13.060	46.000	VG3
VAG96132	7.030	13.110	47.600	VG3
VAG92496	7.030	14.040	51.000	VG1
VAG96197B	7.040	12.080	38.000	VG3
VAG96184	7.040	12.080	43.000	VG3
VAG50895	7.040	13.030	46.000	VG1
VAG96146	7.040	13.050	42.500	VG3
VAG96229	7.040	13.080	42.500	VG3
VAG96181B	7.040	14.050	51.300	VG3
VAG96199	7.040	14.080	51.300	VG3
VAG92444	8.000	13.040	56.00	VG3
VAG92445	8.000	13.040	60.00	VG1
VAG92369	8.000	13.070	60.000	VG1
VAG51007	8.000	14.060	55.000	VG3
VAG92366	8.000	14.100	46.500	VG3
VAG96268	8.000	15.070	45.000	VG3
VAG96260B	8.000	15.070	48.000	VG3
VAG586	8.010	12.760	62.000	VG1



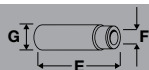
VG1



VG2



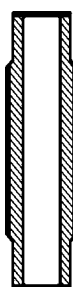
VG3



	F (mm)	G (mm)	E (mm)	
VAG92332B	8.020	13.070	38.700	VG3
VAG96261	8.020	13.080	40.500	VG3
VAG96047	8.020	13.090	43.500	VG3
VAG96215B	8.020	13.090	54.500	VG3
VAG96171	8.020	14.060	42.000	VG3
VAG96124	8.020	14.060	42.900	VG3
VAG96187	8.020	14.060	55.000	VG3
VAG96160B	8.020	14.090	48.000	VG1
VAG96100	8.020	14.370	48.000	VG3
VAG701	8.030	12.770	54.000	VG1
VAG92373	8.030	13.040	56.000	VG3
VAG96056B	8.030	13.070	45.000	VG3
VAG96116B	8.030	13.580	45.000	VG3
VAG92465B	8.030	14.070	52.000	VG2
VAG96203	8.030	14.080	43.000	VG1
VAG92331B	8.030	14.080	50.000	VG1
VAG92288B	8.030	14.280	52.000	VG2
VAG92193	8.040	13.050	56.000	VG1
VAG92194	8.040	13.050	60.000	VG1
VAG92497	8.040	14.030	56.000	VG1
VAG96210	8.040	14.040	43.000	VG3
VAG51023B	8.040	15.040	47.000	VG1
VAG50879	8.050	14.040	48.000	VG1
VAG96263	9.000	14.050	48.500	VG3
VAG92168B	9.000	14.050	51.000	VG1
VAG96267	9.000	14.060	42.500	VG3
VAG96262	9.000	14.060	48.500	VG3
VAG96216B	9.010	14.050	54.000	VG3



VG1



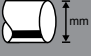









































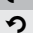
















VG2

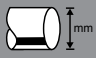




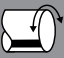



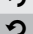










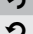



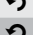



VG3

OIL SEALS



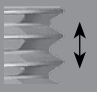
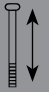


Öldichtungen • Albero a camme • Bagues d'étanchéité
Retenes de aceite • Uszczelnienia olejowe
Сальники • لعمود الكام

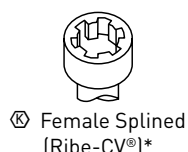
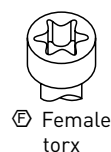
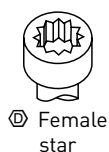
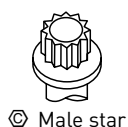
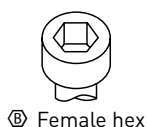
													
23.00	x	35.00	x	7.00	FPM	829S RD		NB815					
27.00	x	37.00	x	7.00	FPM	829S RD W		NA5057					
27.00	x	47.00	x	7.00	FPM	827S RD W		NA5035					
27.00	x	47.00	x	7.00	PTFE	827S RD W		NA5258					
28.00	x	42.00	x	7.00	FPM	827S RD		NB866					
30.00	x	42.00	x	7.00	FPM	827S RD W		NA5053					
30.00	x	43.00	x	8.00	ACM	829S RD W		NB742					
30.00	x	43.00	x	8.00	FPM	829S RD W		NB825					
30.00	x	52.00	x	7.00	ACM	827S RD		NA5187					
31.00	x	41.00	x	7.00	FPM	829S RD W		NA5070					
31.00	x	55.00	x	7.00	FPM	829S RD W		NA5321					
31.50	x	42.00	x	7.00	FPM	829S RD W		NA5174					
32.00	x	47.00	x	10.00	FPM	827S DD W		NA5001					
32.00	x	47.00	x	10.00	FPM	827S RD W		NA5163					
32.00	x	50.00	x	8.00	FPM	829S RD W		NJ951					
34.00	x	60.00	x	10.00	FPM	829S RD W		NA5201					
35.00	x	48.00	x	7.00	MVQ	829S RD W		NC006					
35.00	x	50.00	x	10.00	ACM	827S RD W		NA5066					
35.00	x	50.00	x	10.00	MVQ	827S RD		NF722					
35.00	x	50.00	x	7.00	FPM	827S RD W		NB959					
35.00	x	50.00	x	8.00	FPM	827N DD		NF841					
35.00	x	58.00	x	10.00	ACM	827S RD W		NA5064					
36.00	x	50.00	x	7.00	FPM	827S RD W		NF817					
38.00	x	50.00	x	6.00	FPM	827S RD W		NA5260					
40.00	x	52.00	x	7.00	FPM	829S RD W		NA5223					
40.00	x	55.00	x	6.50	FPM	827S RD W		NA5256					
40.00	x	55.00	x	7.00	FPM	827S RD		NA5058					
40.00	x	56.00	x	10.00	ACM	822S RD		NA5063					
40.00	x	56.00	x	7.00	FPM	827N		NA5051					
40.00	x	56.00	x	7.00	ACM	822N RD		NB818					
42.00	x	55.00	x	7.00	FPM/ACM	827S RD W		NA5108					
42.00	x	56.00	x	7.00	FPM	829S RD W		NA5177					
42.00	x	62.00	x	7.00	PTFE	829S RD W		NA5191					
42.00	x	66.00	x	6.00	FPM/ACM	827S RD W		NF870					
50.00	x	70.00	x	10.00	FPM	829S RD W		NP067					
50.00	x	80.00	x	14.00	FPM	SP		NA5202					
50.00	x	86.50	x	13.70	PTFE	SP		NA5031					
53.00	x	68.00	x	10.00	ACM	827N LD		NA5045					
53.00	x	68.00	x	10.00	ACM	827N		NB728					
55.00	x	68.00	x	8.00	FPM	829S RD W		NA5069					
55.00	x	70.00	x	8.00	FPM	827S RD W		NP068					
62.00	x	80.00	x	12.00	ACM	822N LD		NA5065					
64.00	x	80.00	x	8.00	ACM	822S LD		NA5049					
64.00	x	80.00	x	8.00	FPM	829S LD W		NB808					
64.00	x	112.50	x	20.00	FPM	840		NF887					
70.00	x	85.00	x	8.00	FPM	822N LD		NA5052					
70.00	x	88.00	x	8.00	FPM	829S LD W		NB814					
70.00	x	90.00	x	10.00	ACM	827S		NA5050					
70.00	x	90.00	x	10.00	FPM	829S RD W		NA5055					
70.00	x	90.00	x	10.00	ACM	827N LD		NA784					
70.00	x	90.00	x	10.00	FPM	829S RD W		NB946					
70.00	x	159.00/179.00	x	16.00	FPM	840S RD		NF885					

								
74.00	x	88.00	x	8.00	FPM	829S LD W		NA5061
74.00	x	90.00	x	10.00	NBR	829 S W		NB644
74.00	x	90.00	x	10.00	FPM	829S LD W		NB732
74.00	x	187.50	x	17.000	FPM			LK5001
78.00	x	100.00	x	9.00	PTFE	827S RD W		NA5230
80.00	x	98.00	x	10.00	FPM	827S LD W		NB698
85.00	x	105.00	x	8.80	PTFE	827S LD W		NA5325
85.00	x	105.00	x	9.00	FPM/ACM	827S LD W		NF857
85.00	x	105.00	x	11.00	PTFE	829S LD W		NA5305
90.00	x	104.00	x	11.00	FPM	829S LD		NB806
90.00	x	110.00	x	12.00	PTFE	829S LD W		NA5104
90.00	x	110.00	x	7.00	PTFE	829S LD W		NA5192
90.00	x	115.00	x	13.00	FPM	829S LDW		NF833
93.00	x	139.70/172.00	x	12.00	FPM	840S LD		NF888
98.00	x	120.00	x	7.00	FPM/ACM	827S LD		NF867
100.00	x	118.00	x	10.00	FPM	829S LD W		NF853
100.00	x	179.00	x	15.80	FPM	840S LD		NF886
106.00	x	190.00/196.00	x	15.20	FPM	841S LD		NA5030
114.00	x	171.00/177.00	x	13.00	FPM	840S LD		NF883



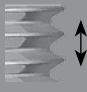



CYLINDER HEADBOLTS

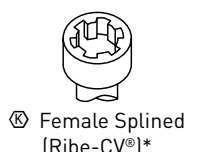
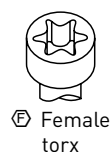
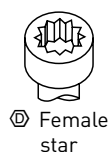
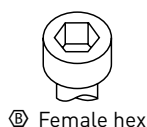
Zylinderkopfschrauben • Viti testa Cilindro • Vis de culasse
Tornillo • Śruba głowicowa
Болты ГБЦ • مسمار الرأس

	Component Reference				QTY		
HBS011	HB028-BA	M12	1.25	163.00	10	Ⓛ	
HBS011	HB029-BA	M12	1.25	119.00	12	Ⓛ	
HBS017	HB034-BA	M12	1.50	118.00	9	Ⓐ	
HBS017	HB035-BA	M12	1.50	146.00	8	Ⓐ	
HBS033	HB098-BA	M12	1.75	136.00	10	Ⓕ	
HBS038	HB037-BA	M11	1.50	175.00	10	Ⓕ	
HBS039	HB081-BA	M10	1.50	175.00	10	Ⓔ	
HBS051	HB082-BA	M10	1.25	84.00	5	Ⓐ	
HBS051	HB083-BA	M10	1.25	98.00	5	Ⓐ	
HBS052	HB085-BA	M9	1.25	95.00	10	Ⓛ	
HBS055	HB199-BA	M10	1.25	153.00	10	Ⓔ	
HBS084	HB033-BA	M12	1.50	120.00	10	Ⓕ	
HBS087	HB093-BA	M12	1.50	110.00	10	Ⓔ	
HBS092	HB087-BA	M10	1.25	115.00	10	Ⓚ	
HBS093	HB090-BA	M10	1.25	172.00	10	Ⓚ	
HBS095	HB084-BA	M12	1.25	133.00	10	Ⓚ	
HBS097	HB126-BA	M12	1.25	120.00	10	Ⓚ	
HBS098	HB514-BA	M12	1.25	140.00	5	Ⓐ	
HBS098	HB515-BA	M10	1.25	116.00	5	Ⓐ	
HBS105	HB018-BA	M14	2.00	137.00	10	Ⓓ	
HBS105	HB019-BA	M12	1.75	116.00	4	Ⓓ	
HBS105	HB020-BA	M12	1.75	80.00	4	Ⓓ	
HBS106	HB018-BA	M14	2.00	137.00	12	Ⓐ	
HBS106	HB019-BA	M12	1.75	116.00	5	Ⓐ	
HBS106	HB020-BA	M12	1.75	80.00	5	Ⓐ	
HBS107	HB018-BA	M14	2.00	137.00	8	Ⓐ	
HBS107	HB019-BA	M12	1.75	116.00	3	Ⓐ	
HBS107	HB020-BA	M12	1.75	80.00	3	Ⓐ	
HBS108	HB104-BA	M14	2.00	137.00	10	Ⓓ	
HBS108	HB105-BA	M12	1.75	79.50	4	Ⓓ	
HBS108	HB106-BA	M12	1.75	115.00	4	Ⓓ	
HBS125	HB040-BA	M12	1.50	150.50	10	Ⓕ	
HBS130	HB200-BA	M10	1.25	163.00	10	Ⓚ	



*Ribe-CV® is a registered trademark of Richard Bergner GmbH & Co.

	Component Reference				QTY		
HBS131	HB201-BA	M10	1.25	100.00	10	Ⓚ	
HBS132	HB203-BA	M10	1.25	254.00	10	Ⓚ	
HBS133	HB203-BA	M10	1.25	254.00	12	Ⓚ	
HBS227	HB204-BA	M12	1.25	218.00	fhbs405	Ⓚ	
HBS245	HB240-BA	M12	1.50	125.00	10	ⓔ	
HBS247	HB242-BA	M9	1.25	87.00	10	Ⓚ	
HBS251	HB247-BA	M14	1.50	193.00	6	ⓔ	
HBS251	HB272-BA	M11	1.50	133.00	4	ⓔ	
HBS255	HB028-BA	M12	1.25	160.00	14	ⓓ	
HBS255	HB250-BA	M12	1.25	90.00	8	ⓓ	
HBS257	HB204-BA	M12	1.25	218.00	12	Ⓚ	
HBS259	HB256-BA	M11	1.50	144.50	10	ⓔ	
HBS260	HB257-BA	M11	1.50	168.00	10	ⓔ	
HBS261	HB258-BA	M12	1.50	126.00	10	ⓔ	
HBS262	HB243-BA	M10	1.25	220.00	10	Ⓚ	
HBS272	HB269-BA	M10	1.50	147.00	16	ⓔ	
HBS277	HB488-BA	M12	1.50	148.00	10	ⓔ	
HBS279	HB276-BA	M11	1.50	154.00	6	ⓓ	
HBS279	HB521-BA	M11	1.50	109.00	4	ⓓ	
HBS297	HB331-BA	M9	1.25	56.00	1	ⓓ	
HBS297	HB332-BA	M9	1.25	91.00	9	ⓓ	
HBS353	HB338-BA	M10	1.25	119.00	10	Ⓚ	
HBS359	HB341-BA	M11	1.50	147.00	10	ⓔ	
HBS370	HB354-BA	M12	1.25	225.00	10	Ⓚ	
HBS371	HB354-BA	M12	1.25	225.00	12	Ⓚ	
HBS416	HB416-BA	M11	1.50	163.00	10	ⓓ	
HBS464	HB422-BA	M15	1.50	193.00	6	ⓔ	✓
HBS464	HB423-BA	M8	1.25	117.00	4	ⓔ	✓
HBS464	HB424-BA	M12	1.50	165.00	4	ⓔ	✓
HBS464	HB425-BA	M8	1.25	58.00	1	ⓔ	✓
HBS465	HB426-BA	M12	1.50	220.00	10	Ⓚ	
HBS497	HB444-BA	M10	1.50	149.00	10	ⓐ	
HBS535	HB552-BA	M11	1.50	128.00	10	ⓔ	



*Ribe-CV® is a registered trademark of Richard Bergner GmbH & Co.

TECHNICAL NOTES

Technische Hinweise • Notes techniques
Note tecniche • Notas técnicas

English

- | | |
|----|------------------------------------|
| 1 | Without crankshaft seal |
| 2 | With cylinder sleeve ring |
| 3 | Specification: Contains JJ449 |
| 4 | Specification: LEM |
| 5 | Specification: Edge Moulded |
| 6 | Mechanical |
| 7 | Camshaft driven vacuum pump. |
| 8 | Pulley driven vacuum pump. |
| 9 | Includes seals |
| 10 | Liner available in Kit Set only |
| 11 | Nitrided |
| 12 | Piston available in Kit Set only |
| 13 | Piston Chamber Volume [ccm] 19.91 |
| 14 | Ringset available in Kitset only |
| 15 | Steel |
| 16 | Use also: 1 NB O-Ring HR566 |
| 17 | Without circlips |
| 18 | Outer Diameter 1 [mm]: 105.00 |
| 19 | Specification: Oil Seal in housing |
| 20 | Oil Pan Material: Steel |
| 21 | "SPUTTER" upper half bearing |
| 22 | G-188 |
| 23 | G-488 |

Deutsch

1 Ohne Kurbelwellen-Dichtring

2 Mit Zylinderbuchsenring

3 Spezifikation: Enthält JJ449

4 Spezifikation: LEM

5 Spezifikation: Angeformter Rand

6 Mechanisch

7 Unterdruckpumpe mit Nockenwellenantrieb.

8 Unterdruckpumpe mit Riemenscheibenantrieb.

9 Einschließlich Dichtringen

10 Laufbuchse nur im Satz erhältlich

11 Nitriergehärtet

12 Kolben nur im Satz erhältlich

13 Kolbenraumvolumen [ccm] 19,91

14 Kolbenringsatz nur im Satz erhältlich

15 Stahl

16 Auch zu verwenden: 1 NB O-Ring HR566

17 Ohne Sicherungsringe

18 Außendurchmesser 1 [mm]: 105,00

19 Spezifikation: Öldichtung im Gehäuse

20 Material Ölwanne: Stahl

21 „Sputter“ obere Lagerhälfte

22 G-188

23 G-488

1 Senza paraolio-albero a gomito

2 Con anello tenuta canna cilindro

3 Specifiche: Contiene JJ449

4 Specifiche: LEM

5 Specifiche: Con bordo di tenuta stampato direttamente sulla lamiera di supporto

6 Meccanica

7 Pompa del vuoto azionata dall'albero a camme

8 Pompa del vuoto azionata dalla puleggia

9 Con guarnizioni

10 Camicia disponibile solo nel Kit

11 Nitruato

12 Pistone disponibile solo nel Kit

13 Volume Camera Pistone [cc] 19,91

14 Segmenti disponibili solo nel Kit

15 Acciaio

16 Usare anche: 1 NB O-Ring HR566

17 Senza seeger

18 Diametro esterno 1 [mm]: 105,00

19 Specifiche: Paraolio in sede

20 Materiale coppa olio: Acciaio

21 Semicuscinetto superiore "SPUTTER"

22 G-188

23 G-488

Français

- | | |
|----|--|
| 1 | Sans bague d'étanchéité de vilebrequin |
| 2 | Avec segments |
| 3 | Caractéristiques : Contient JJ449 |
| 4 | Caractéristiques : LEM |
| 5 | Caractéristiques : Bord moulé |
| 6 | Mécanique |
| 7 | Pompe à vide entraînée par l'arbre à cames |
| 8 | Pompe à vide entraînée par poulie |
| 9 | Bagues d'étanchéité incluses |
| 10 | Chemise de piston uniquement disponible en kit |
| 11 | Nitruré |
| 12 | Piston uniquement disponible en kit |
| 13 | Cylindrée chambre de combustion (cm ³) 19,91 |
| 14 | Pochette de segments uniquement disponible |
| 15 | Acier |
| 16 | Utiliser également : 1 Joint torique NB HR566 |
| 17 | Sans circlips |
| 18 | Diamètre extérieur 1 (mm) : 105,00 |
| 19 | Caractéristiques : Bague d'étanchéité dans son logement |
| 20 | Matériau du carter d'huile: acier |
| 21 | Demi-coussinet supérieur « pulvérisé = sputter » |
| 22 | G-188 |
| 23 | G-488 |

- | | |
|----|---|
| 1 | Sin retén del cigüeñal |
| 2 | Con segmento de la camisa de cilindro |
| 3 | Especificaciones: Contiene JJ449 |
| 4 | Especificaciones: LEM |
| 5 | Especificaciones: Borde moldeado |
| 6 | Mecánica |
| 7 | Bomba de vacío accionada por árbol de levas |
| 8 | Bomba de vacío accionada por polea |
| 9 | Incluye juntas |
| 10 | Camisa disponible únicamente en el kit |
| 11 | Nitrurado |
| 12 | Pistón disponible únicamente en el kit |
| 13 | Volumen de la cámara del pistón (cilindrada) 19,91 |
| 14 | Conjunto de segmentos disponible únicamente en el kit |
| 15 | Acero |
| 16 | Utiliza también: Junta tórica 1 NB HR566 |
| 17 | Sin arandelas de retención |
| 18 | Diámetro exterior 1 (mm): 105,00 |
| 19 | Especificaciones: Retén de aceite de la carcasa |
| 20 | Material del cárter de aceite: Acero |
| 21 | Mitad del rodamiento superior "SPUTTER" |
| 22 | G-188 |
| 23 | G-488 |

Polski

1	Bez uszczelnienia wału korbowego
2	Z pierścieniem tulei cylindrowej
3	Specyfikacja: Zawiera JJ449
4	Specyfikacja: LEM
5	Specyfikacja: Wyprofilowana krawędź
6	Mechaniczne
7	Pompa podciśnieniowa napędzana wałkiem rozrządu.
8	Pompa podciśnieniowa napędzana kołem pasowym.
9	Zawiera uszczelnienia
10	Tuleja dostępna tylko w zestawie
11	Azotowany
12	Tłok dostępny tylko w zestawie
13	Objętość komory spalania w tłoku [cm ³] 19,91
14	Zestaw pierścieni dostępny tylko w zestawie
15	Stal
16	Użyć również: 1 NB O-Ring HR566
17	Bez pierścieni zabezpieczających
18	Średnica zewnętrzna 1 [mm]: 105.00
19	Specyfikacja: Uszczelnienie olejowe w obudowie
20	Materiał miski olejowej: Stal
21	Górna połowa łożyska typu „SPUTTER”
22	G-188
23	G-488

1 Без сальника коленчатого вала

2 С кольцом гильзы цилиндра

3 Спецификации: Включает JJ449

4 Спецификации: LEM (Литой эластомер на планшете)

5 Спецификации: с защитной кромкой

6 Механический

7 Вакуумный насос с приводом от распределительного вала.

8 Вакуумный насос с приводом от шкива.

9 Уплотнительные кольца - в комплекте

10 Гильза доступна только в комплекте

11 С азотированием поверхности

12 Поршень доступен только в комплекте

13 Объем камеры сгорания поршня [см³] 19,91

14 Набор колец доступен только в комплекте

15 Сталь

16 Также используйте: Уплотнительное кольцо 1 NB HR566

17 Без стопорных колец

18 Наружный диаметр 1 [мм]: 105,00

19 Спецификации: Масляное уплотнение в корпусе

20 Материал масляного поддона: Сталь

21 Верхняя половина вкладыша "SPUTTER"

22 G-188

23 G-488

اللغة العربية

1	بدون مانع تسريب عمود المرفق
2	مع حلقات مانعه للتسرب للإسطوانه(القميص)
3	المواصفات: يتضمن JJ449
4	المواصفات: قالب المطاط الصناعي السائل (LEM)
5	المواصفات: حافة مُشكّلة
6	ميكانيكيا
7	مضخة تفريغ تعمل بعمود الكامنة
8	مضخة تفريغ تعمل بالبكرة
9	تتضمن على سدادات
10	البطانة متاحة في مجموعة الطقم فقط
11	بالنيتريد
12	الكباس متاح في مجموعة الطقم فقط
13	سعة غرفة الكباس [سس] 19.91
14	مجموعة الحلقات(الشنابر) متاحة مع طقم التركيب فقط
15	الفولاذ
16	استخدم أيضًا: NB 1 حلقة دائرية HR566
17	بدون حلقات ربط
18	القطر الخارجي 1 [مم]: 105.00
19	المواصفات: سداة الزيت داخل التجويف
20	مادة حوض الزيت: الفولاذ
21	السبائك العلويه من نوع SPUTTER
22	G-188
23	G-488

Federal-Mogul Global Aftermarket EMEA bvba

Prins Boudewijnlaan 5 • B-2550 Kontich • Belgium

Central Distribution Centre

Prins Boudewijnlaan 7 • B-2550 Kontich • Belgium

Phone +32 (0) 3450 83 10 • Fax +32 (0) 3450 83 38

Federal-Mogul Italy Srl**Aftermarket Division**

Via Enrico Fermi 8 • 37135 Verona • Italy

Phone +39 045 828 13 11 • Fax +39 045 828 14 00

Federal-Mogul Germany GmbH

Albert-Ruprecht-Strasse 2 • 71636 Ludwigsburg • Germany

Phone +49 (0) 7141-64865-8230 • Fax +49 (0) 7141-64865-8390

Federal-Mogul Aftermarket UK Limited

Greyhound Drive • Bradford • BD7 1NQ • England

Phone +49 (0) 7141-64865-8230 • Fax: +49 (0) 7141-64865-8390

Federal-Mogul Ibérica, S.L.**Federal-Mogul Aftermarket España, S.A.**

Calle Alcarria, nº 2 • 28823 Coslada • Madrid • Spain

Phone: + 34 91 746 1900 • Fax: + 34 91 746 18 90

Federal-Mogul Aftermarket France

60-62, rue Danjou • 92517 Boulogne-Billancourt Cedex • France

Phone +33 (0) 1 46 94 27 00 • Fax +33 (0) 1 46 94 27 01

Service Commande de stock :

Phone +33 (0) 810 000 029 • Fax +32 34 50 80 26

Service Commande express :

Phone +33 (0) 810 000 029 • Fax +32 34 50 80 26

Federal-Mogul Aftermarket**Southern Africa (PTY) Ltd**

33 Western Boulevard • City West • Johannesburg • South Africa

Phone +27 11 630 3000 • Fax +27 11 630 3040

Federal-Mogul Aftermarket Turkey

Meclis-i Mebusan Cad. No: 53 Dereli İş Merkezi 34427 • Fındıklı / İstanbul • Türkiye

Phone +90 212 292 6313 • Fax +90 212 292 6260

Federal-Mogul Aftermarket Russia Ltd

Smolnaya street 24D, 13th floor • 125445 Moscow • Russia

Phone +7 495 221 50 60 • Fax +7 495 221 50 64



